

# SOLOMON FAMILY RESIDENCE RENOVATIONS FORT WHITE, FLORIDA CONSTRUCTION DOCUMENTS

## SHEET INDEX

A0.00	COVER SHEET AND CONTENTS
A0.05	GENERAL NOTES AND LEGENDS
A0.07	ARCHITECTURAL SITE PLAN
A0.09	DEMOLITION PLAN AND NOTES
A0.10	OVERALL FLOOR PLAN
A0.11	ROOF/ FRAMING/ SLAB PLANS
A0.20	EXTERIOR ELEVATIONS
A0.25	BUILDING SECTIONS
A0.26	BUILDING SECTIONS
A0.27	BUILDING SECTIONS
A0.30	EXTERIOR OPENING TYPES AND NOTES
A0.35	EXTERIOR OPENING DETAILS
A1.01	FLOOR PLAN AND NOTES
A1.05	DIMENSION FLOOR PLAN AND NOTES
A1.21	REFLECTED CEILING PLAN AND NOTES
A3.00	INTERIOR OPENING TYPES AND NOTES
A9.01	OPENING DETAILS WOOD FRAMING
A9.02	OPENING DETAILS WOOD FRAMING
A9.90	PRODUCT APPROVALS
A9.91	PRODUCT APPROVALS
A9.95	TYVEK DETAILS



SOLOMON FAMILY  
RESIDENCE RENOVATIONS  
Fort White, Florida

### CONTACT INFORMATION:

**OWNER:**  
SOLOMON RESIDENCE  
862 SW BLUFF DRIVE  
FORT WHITE, FLORIDA 32038

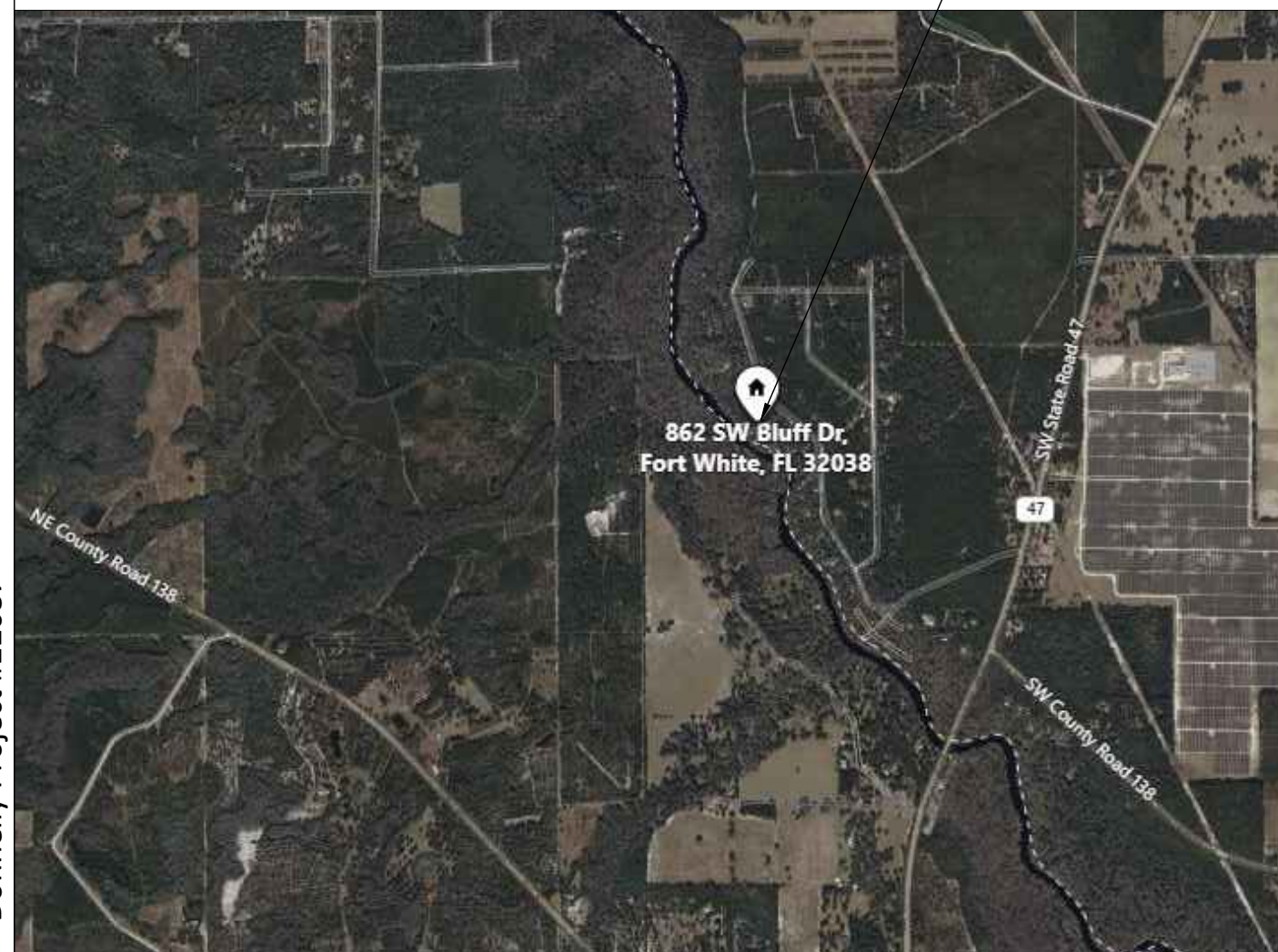
**CONTRACTOR:**  
TANNER CONSTRUCTION  
16407 NW 174th DR., SUITE E  
ALACHUA, FLORIDA 32615  
PHONE: 386.418.0001

**ARCHITECT:**  
DONNELLY ARCHITECTURE, INCORPORATED  
1384 NORTH CITRUS AVENUE  
CRYSTAL RIVER, FLORIDA 34428  
PHONE: 352.249.1166

**PROJECT LOCATION:**  
SOLOMON RESIDENCE  
862 SW BLUFF DRIVE  
FORT WHITE, FLORIDA 32038  
FLORIDA ARCHITECT AR 92950

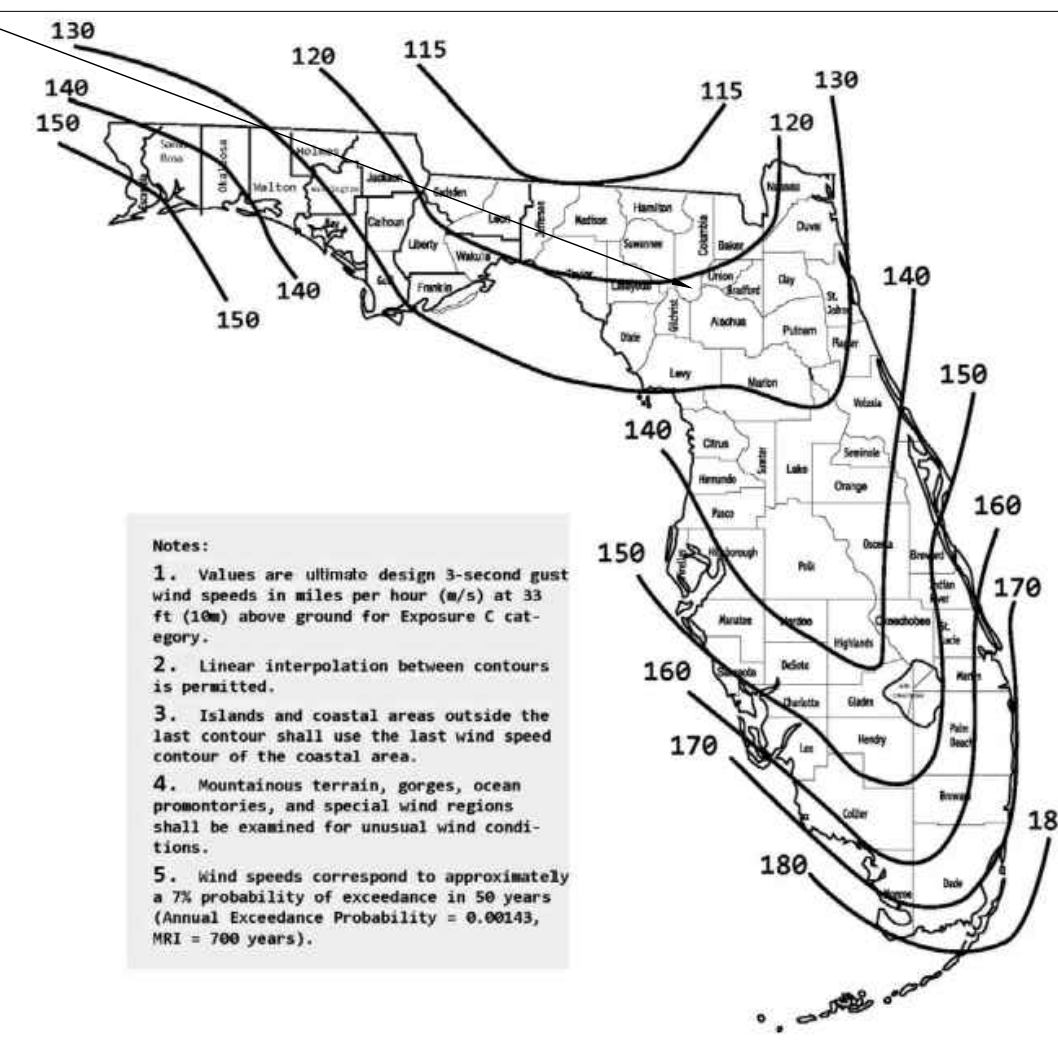
Digitally signed by Christopher M. Donnelly  
Date: 2023.05.08 16:09  
-04'00'  
MAY 5, 2023

### PROJECT LOCATION:



### PROJECT DESCRIPTION:

RENOVATION OF AN EXISTING SINGLE FAMILY RESIDENCE IN FORT WHITE, FLORIDA



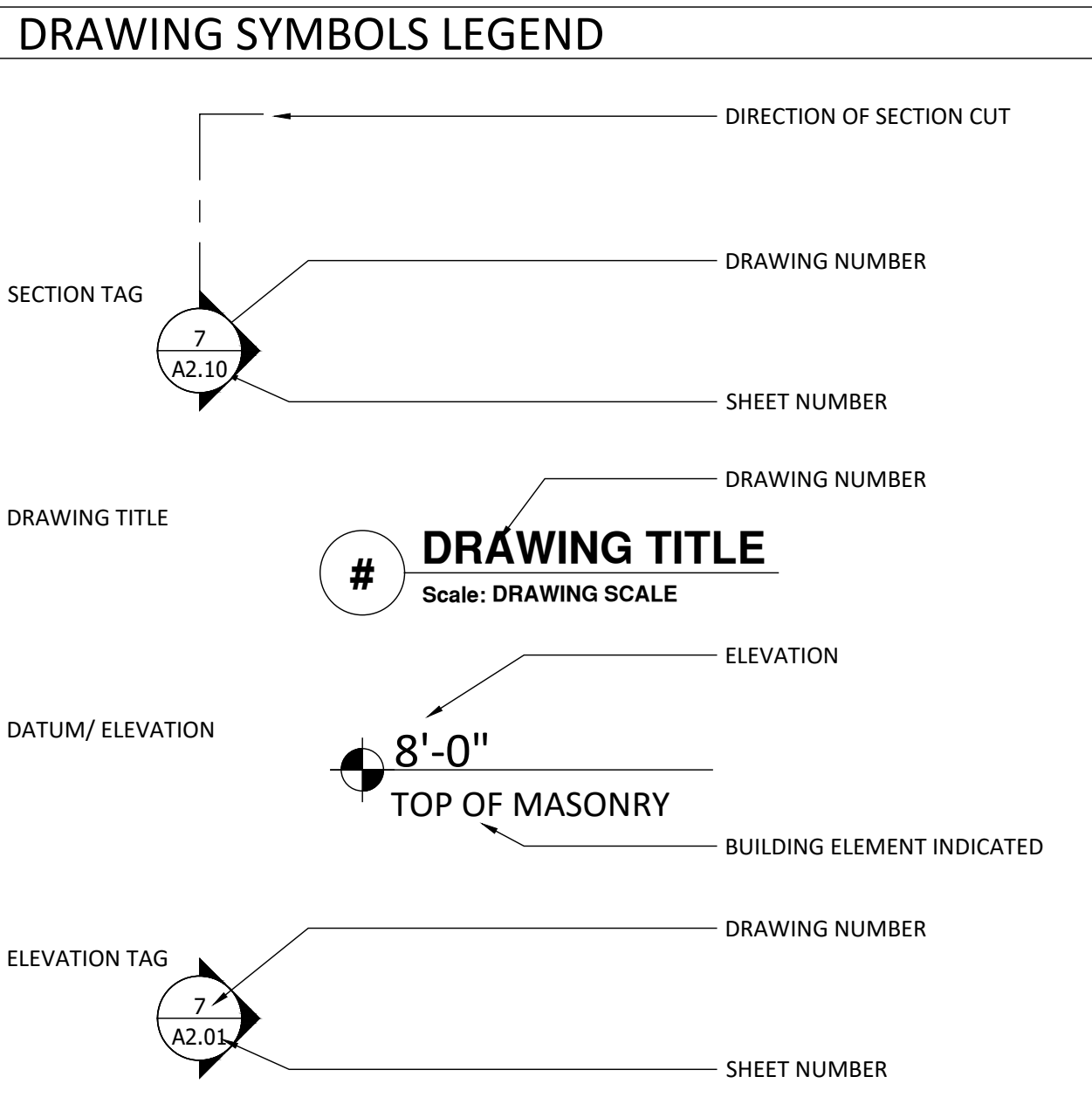
100% CONSTRUCTION DOCUMENTS

COVER SHEET AND CONTENTS

# A0.00

**ABBREVIATIONS:**

ADA	AMERICANS WITH DISABILITIES ACT
AFF	ABOVE FINISHED FLOOR
&	AND
ARCH.	ARCHITECT, ARCHITECTURAL
C.I.P.	CAST IN PLACE
CL	CENTER LINE
CFM	CUBIC FEET PER MINUTE
CMU	CONCRETE MASONRY UNIT
∅	DIAMETER
EA.	EACH
ELEC.	ELECTRIC, ELECTRICAL
FT OR '	FOOT, FEET
GYP.	GYPSON BOARD
GWB	GYPSON WALL BOARD
IN OR "	INCH, INCHES
I.D.	INSIDE DIAMETER
MECH.	MECHANICAL
NIC	NOT IN CONTRACT
NTS	NOT TO SCALE
O.C.	ON CENTER
O.D.	OUTSIDE DIAMETER
OPP.	OPPOSITE
OPP. HAND	OPPOSITE HAND
O.D.	OUTSIDE DIAMETER
P. LAM.	PLASTIC LAMINATE
PLUMB.	PLUMBING
PVC	POLYVINYL CHLORIDE
LBS	POUNDS
PSF	POUNDS PER SQUARE FOOT
R.O.W.	RIGHT OF WAY
SIM.	SIMILAR
S.F., SQ. FT.	SQUARE FOOT (FEET)
STRCT.	STRUCTURAL
T & G	TONGUE AND GROOVE
T.O.M.	TOP OF MASONRY
T.O.S.	TOP OF STEEL
TYP.	TYPICAL
UL	UNDERWRITER'S LIMITED
U.N.O.	UNLESS NOTED OTHERWISE
VTR	VENT THRU ROOF
V.I.F.	VERIFY IN FIELD
VCT	VINYL COMPOSITE TILE
W/	WITH



**GRAPHIC MATERIAL SYMBOLS**

	EARTH
	CONCRETE
	STEEL
	ALUMINUM
	BATT INSULATION
	RIGID INSULATION OR FOAM BAND
	ENGINEERED WOOD
	GYPSON BOARD OR CEMENTITIOUS SIDING
	CONTINUOUS FRAMING (SIZE AS NOTED)
	BLOCKING (SIZE AS NOTED)

**GENERAL NOTES:**

- THE FOLLOWING DRAWINGS ARE PROVIDED FOR THE BENEFIT OF THE OWNER FOR THE SOLE PROJECT NAMED AND DESCRIBED IN THE ATTACHED DRAWINGS AND SPECIFICATIONS, AND MAY NOT BE REPRODUCED WITHOUT WRITTEN CONSENT OF DONNELLY ARCHITECTURE, INCORPORATED AND SHALL NOT BE USED FOR ANY ENDEAVOR OTHER THAN THE SPECIFIC PROJECT DESCRIBED IN THE ATTACHED DOCUMENTS.
- CONTRACTOR SHALL COMPLY WITH ALL LOCAL AND STATE BUILDING CODES.
- DO NOT SCALE OFF OF DRAWINGS. USE ONLY WRITTEN DIMENSIONS. DIMENSIONS ARE FROM FACE OF MASONRY, FACE OF GYPSON BOARD, FACE OF ALUMINUM STOREFRONT/ CURTAIN WALL FRAME, AND FINISHED FLOOR SURFACE UNLESS NOTED OTHERWISE. CLEAR DIMENSIONS INDICATE THE REQUIRED DIMENSION AFTER ALL FINISH MATERIALS HAVE BEEN INSTALLED. DIMENSIONS INDICATED AS ± DESCRIBE AN APPROXIMATE DIMENSION WHERE THERE IS FLEXIBILITY WITHIN REASONABLE CONSTRUCTION TOLERANCES TO ALLOW OTHER DIMENSIONS TO REMAIN CONSTANT. DIMENSIONS INDICATED AS MINIMUM OR MIN. INDICATE THAT THE FINAL DIMENSION AFTER ALL FINISHES AND FIXTURES HAVE BEEN INSTALLED SHALL NOT BE LESS THAN THE DIMENSION LISTED. DIMENSIONS INDICATED AS MAXIMUM OR MAX. INDICATE THAT THE FINAL DIMENSION AFTER ALL FINISHES AND FIXTURES HAVE BEEN INSTALLED SHALL NOT BE GREATER THAN THE DIMENSION LISTED.
- THE GENERAL CONTRACTOR DETERMINES THE DIVISION OF WORK BETWEEN TRADES. THE ATTACHED DOCUMENTS ARE NOT TO BE USED FOR THE DIVISION OF WORK BETWEEN TRADES.
- PRIOR TO SUBMITTING A BID TO THE OWNER, THE CONTRACTOR AND ALL SUBCONTRACTORS SHALL REVIEW THE COMPLETE SET OF DRAWINGS AND SPECIFICATIONS, SHALL EXAMINE AND VERIFY ALL EXISTING CONDITIONS AT THE PROJECT SITE. SUBCONTRACTORS SHALL NOTIFY THE GENERAL CONTRACTOR OF ANY AND ALL CONFLICTS OR DISCREPANCIES. CONTRACTOR SHALL NOTIFY ARCHITECT IMMEDIATELY OF ANY CONFLICTS OR DISCREPANCIES.
- ALL COMPONENTS REQUIRED FOR THE PROPER COMPLETION AND OPERATION OF THE WORK SHALL BE INCLUDED.
- THE WORK DESCRIBED IN THE ATTACHED DOCUMENTS AND SPECIFICATIONS SHALL ALSO INCLUDE ANY WORK REASONABLY INFERRED AS BEING REQUIRED TO COMPLETE THE WORK.
- ALL MATERIALS, FIXTURES, AND EQUIPMENT TO BE INSTALLED SHALL BE NEW, UNLESS NOTED OTHERWISE.
- CONTRACTOR SHALL OBTAIN AND PAY COSTS OF PERMITS AND LICENSES NECESSARY FOR COMPLETION OF THIS WORK.
- PRIOR TO DIGGING CONTRACTOR SHALL NOTIFY LOCAL UTILITY COMPANIES.
- PROVIDE ACCESS DOORS/ PANELS WHERE ACCESS IS REQUIRED FOR MECHANICAL, ELECTRICAL, OR PLUMBING EQUIPMENT AND FIXTURES. ACCESS DOORS/ PANELS IN FIRE RATED WALLS OR CEILINGS SHALL BE RATED AS REQUIRED.
- ALL PENETRATIONS THROUGH FIRE RATED ASSEMBLIES SHALL BE CONSTRUCTED ACCORDING TO THE RATED PENETRATION DETAILS (UL OR OTHER) INDICATED IN THE DOCUMENTS. IF SUBCONTRACTOR FINDS THAT A MATERIAL OR SIZE PENETRATIONS NOT LISTED UNDER THE PENETRATION DETAILS, THE GENERAL CONTRACTOR SHALL SUBMIT A WRITTEN REQUEST FOR INFORMATION PROVIDING THE PENETRATING MATERIALS AND SIZES ALONG WITH A PROPOSED PENETRATION DETAIL (UL OR OTHER).
- ANY BUILDING AREAS LISTED ON THE ATTACHED DOCUMENTS ARE PROVIDED FOR THE PERMITTING AUTHORITY TO ILLUSTRATE COMPLIANCE WITH BUILDING CODES AND ARE NOT TO BE RELIED UPON FOR CONTRACTOR'S MATERIAL ESTIMATES OR "TAKEOFFS". ARCHITECT ASSUMES NO RESPONSIBILITY FOR DIFFERENCES BETWEEN THE LISTED AREAS AND THE AREA OF MATERIALS REQUIRED TO COMPLETE THE WORK DESCRIBED HEREIN.
- THE CONTRACTOR SHALL VERIFY AND BE RESPONSIBLE FOR ALL DIMENSIONS, SHALL VERIFY EXISTING TOPOGRAPHY AND GRADE ELEVATIONS, AND SHALL NOTIFY ARCHITECT OF ANY DISCREPANCIES PRIOR TO PROCEEDING WITH THE WORK.
- ANY SITE VISITS BY THE ARCHITECT ARE TO REVIEW GENERAL CONFORMANCE TO THE CONSTRUCTION DOCUMENTS AND DO NOT RELIEVE THE GENERAL CONTRACTOR FROM HIS RESPONSIBILITY OF BUILDING ACCORDING TO THE APPROVED DRAWINGS AND BUILDING CODES.
- THESE DRAWINGS DO NOT INCLUDE WARRANTY OR GUARANTEE INCLUDING BUT NOT LIMITED TO WARRANTY FOR WATER INTRUSION OR MILDEW/ MOLD DAMAGE.
- ARCHITECT IS NOT RESPONSIBLE FOR DISTRIBUTION OF DRAWINGS, SPECIFICATIONS, OR INFORMATION TO SUBCONTRACTORS. CONTRACTOR IS RESPONSIBLE FOR ENSURING THAT ALL SUBCONTRACTORS ARE PROVIDED WITH A COMPLETE SET OF CONTRACT DOCUMENTS AND ANY ADDENDA OR REVISIONS. CONTRACTOR IS ALSO RESPONSIBLE FOR ENSURING THAT ALL SUBCONTRACTORS ARE WORKING FROM THE MOST CURRENT SET OF DOCUMENTS.

**SUBSTITUTIONS:**

ANY PROPOSED SUBSTITUTIONS SHALL BE SUBMITTED FOR ARCHITECT'S / ENGINEER'S APPROVAL AS PART OF THE CONTRACTOR'S BIDDING PROCESS, PRIOR TO THE OWNER'S NOTICE OF COMMENCEMENT. CONTRACTOR SHALL PROVIDE ARCHITECT/ ENGINEER WITH ALL REQUIRED DATA SHEETS, SAMPLES, AND/OR TEST DATA REQUIRED FOR PROPOSED MATERIAL OR SYSTEM AS WELL AS SAME FOR SPECIFIED SYSTEM.

**TESTING LABORATORY SERVICES:**

TESTS OF MATERIALS, EQUIPMENT, AND SYSTEMS REQUIRED AS PART OF THE CONSTRUCTION DOCUMENTS SHALL BE PAID FOR BY THE CONTRACTOR. THREE COPIES OF ALL TEST REPORTS SHALL BE PROVIDED TO ARCHITECT.

**SPECIFICATIONS:**

- ALL PERMITS, IMPACT FEES, AND CONNECTION FEES - BY CONTRACTOR
- SLAB - MONOLITHIC SLAB - FOOTERS WITH REINFORCING BARS AS PER PLAN. SEE A0.25 FILL IS TO BE COMPACTED AND TREATED FOR TERMITES.
- EXTERIOR WALL - SEE A0.25
- EXTERIOR FINISHES - SEE A0.25 AND A0.20
- ROOF FRAMING - ENGINEERED ROOF TRUSSES WITH PITCH AS PER PRINT. TO BE SHEATHED WITH ½" 4 PLY PLYWOOD AND COVERED WITH #15 FELT.
- ROOF SHINGLES - SEE A0.25
- SOFFIT - SEE A0.25
- INTERIOR WALL FRAMING - SEE A1.01
- INTERIOR FINISHES - SELECTIONS BY OWNER
- INSULATION - SEE A0.25
- TRIM: FINGER-JOINT WALL BASE, CASINGS, AND CROWN AS SELECTED BY OWNER
- WINDOWS AND DOORS - SEE SHEET A3.00. ALL WINDOWS WILL GET SOLID SURFACE (CORIAN) OR PAINTED WOOD SILLS.
- GARAGE DOOR - SEE SHEET A3.00.
- ELECTRICAL - COPPER WIRE FROM SWITCHES AND OUTLETS. UNDERGROUND WRONG END 200 AMP SERVICE. ALL WIRE TO BE 12 GAUGE OR BETTER. INCLUDED ARE:  
CEILING FAN INSTALLATIONS,  
WEATHERPROOF OUTLETS,  
TV / DATA OUTLETS,  
TELEPHONE JACKS,  
SMOKE DETECTORS,  
CARBON MONOXIDE / SMOKE DETECTORS  
RANGE CIRCUIT,  
MICROWAVE CIRCUIT,  
A/C CIRCUIT,  
RECESS FIXTURES WITH OPEN TRIMS,  
RECESS FIXTURES WITH SHOWER TRIMS,  
FOUR FOOT FLUORESCENT FIXTURES,  
WATER HEATER CIRCUIT,  
DEFIANT DIGITAL WALL TIMERS FOR EXTERIOR LIGHTS,  
DECORA SWITCHES.
- ELECTRICAL FIXTURES - SEE SHEET A1.21
- PLUMBING - CPVC ½" & ¾" SUPPLY LINES. PVC WASTE LINES. ALL FIXTURES TO BE WHITE. PROVIDE LOW-FLOW WATER FIXTURES IN BATHROOMS—WATERSENSE LABELED PRODUCTS OR THE FOLLOWING SPECIFICATIONS:  
TOILETS: 1.6 GALLONS/FLUSH OR LESS  
FAUCETS: 1.5 GALLONS/MINUTE OR LESS  
SHOWERHEADS: 2.2 GALLONS/MINUTE OR LESS
- WATER HEATING MINIMUM EFFICIENCY SPECIFICATIONS:  
ELECTRIC: 50 GAL = .92 EF
- HEAT & A/C - XR15 HEAT PUMP SYSTEM / SEER 15  
CONDENSER - TRANE  
AIR HANDLER - TRANE  
HEAT STRIP  
PROGRAMMABLE THERMOSTAT /HUMIDISTAT  
SMOKE DETECTOR W SHUTOFF / APOLLO AMERICA SL2000  
SUPPLY OUTLETS.  
RETURN AIR.
- VENTING -  
AIRKING AKSOLS - BATH FAN WITH VENTING THROUGH ROOF.  
RANGE VENTING ONLY THROUGH ROOF  
RECESSED DRYER VENT WITH VENTING THROUGH ROOF.  
GAF COBRA RIDGE VENT
- CABINETS - FINISHES SELECTIONS BY OWNER
- PAINTING - INTERIOR - LOW OR NO-VOC PAINT FOR ALL INTERIOR WALLS (LOW-VOC MEANS 50 GRAMS PER LITER OR LESS FOR FLAT; 150 GRAMS PER LITER OR LESS FOR NON-FLAT PAINT);  
INTERIOR WALLS - ONE COAT SHERWIN-WILLIAMS S-W PROGREEN 200 INTERIOR LATEX PRIMER, ONE COAT S-W 200 INTERIOR LATEX EG-SHEL (FLAT AT CEILINGS, SEMI-GLOSS AT TRIM, CASINGS, INTERIOR PAINT GRADE DOORS)  
EXTERIOR WALLS - ONE COAT SHERWIN-WILLIAMS S-W LOXON EXTERIOR ACRYLIC MASONRY PRIMER, ONE COAT S-W A-100 EXTERIOR LATEX SATIN
- CLOSET SHELVING - VINYL CLAD SHELVING IN ALL CLOSETS AND LAUNDRY ROOM AS PER PLANS.
- POST CONSTRUCTION CLEAN UP - BY CONTRACTOR

**BUILDING DESCRIPTION SUMMARY**

APPLICABLE CODES:  
FLORIDA BUILDING CODE - RESIDENTIAL, 7TH EDITION (2020)

OCCUPANCY CLASSIFICATION:  
NEW RESIDENTIAL (R-3) PER FBC 310

CODE REQUIREMENTS:  
NO RATED WALLS REQUIRED: ALL EXTERIOR WALLS ARE LOCATED A MINIMUM 3' FROM THE MINIMUM FIRE SEPARATION LINE (PROPERTY LINE)  
MINIMUM GLAZING: NOT LESS THAN 8% OF FLOOR AREA SERVED (R303.1)  
MINIMUM OPENABLE GLAZING: NOT LESS THAN 4% OF FLOOR AREA (R303.1)  
BATHROOMS SHALL HAVE WINDOWS NOT LESS THAN 3 SQ. FT., HALF OF WHICH MUST BE OPENABLE (R303.3) OR SHALL BE PROVIDED WITH MECHANICAL VENTILATION.  
MINIMUM ROOM DIMENSIONS: HABITABLE ROOMS SHALL HAVE FLOOR AREA NOT LESS THAN 70 SQUARE FEET (EXCEPT KITCHENS) (R304.1) AND NOT BE LESS THAN 7'-0" HORIZONTAL IN ANY DIMENSION (R304.3)  
MINIMUM CEILING HEIGHT: NOT LESS THAN 7'-0" (R304.3)  
NON-ABSORPTIVE SURFACES: IN BATHROOMS TUB AND SHOWER FLOORS AND WALLS TO A MINIMUM OF 6'-0" ABOVE FINISHED FLOOR (R307.2)

MEANS OF EGRESS:  
HALLWAYS SHALL BE MINIMUM 3'-0" WIDE (R311.6)  
DOORS: NOT LESS THAN (1) DOOR SHALL HAVE DIRECT ACCESS TO THE EXTERIOR, SHALL BE SIDE HINGED, AND SHALL NOT BE LESS THAN 3'-0" WIDE X 6'-8" IN HEIGHT. (R311.2)

SMOKE ALARMS: (APPLICABLE LOCATIONS LISTED)  
REQUIRED AT EACH SLEEPING ROOM, OUTSIDE EACH SLEEPING ROOM, ON EACH STORY, NOT LESS THAN 3' HORIZONTALLY FROM THE DOOR OR OPENING TO A BATHROOM WITH A BATHTUB OR SHOWER (R314.3)  
CARBON MONOXIDE ALARMS:  
PROVIDE AT EVERY BUILDING HAVING A FOSSIL FUEL BURNING HEATER OR APPLIANCE, FIREPLACE, ATTACHED GARAGE, OR OTHER FEATURE THAT EMITS CARBON MONOXIDE, INSTALLED WITHIN 10' OF EACH ROOM USED FOR SLEEPING PURPOSES

INSULATION:  
FLAME SPREAD RATING NOT TO EXCEED 25 AND SMOKE DEVELOPED NOT TO EXCEED 450 (R302.10.1)

**AREA BREAKDOWN**

EXISTING LIVING AREA:	990 SQ. FT.
NEW LIVING AREA:	1,112 SQ. FT.
TOTAL LIVING AREA:	2,102 SQ. FT.
EXISTING SCREEN PORCH:	272 SQ. FT.
EXISTING PORCH:	353 SQ. FT.
NEW PORCH:	358 SQ. FT.
TOTAL GROSS UNDER ROOF:	2,102 SQ. FT.

- NOTES:  
1. SEE GENERAL NOTES ON A0.05 REGARDING DIMENSIONS AND FLOOR AREAS.

**DONNELLY**  
*Architecture*  
ARCHITECTS  
1384 NORTH CITRUS AVENUE  
CRYSTAL RIVER, FLORIDA 34428  
825 NW 13TH STREET  
GAINESVILLE, FLORIDA 32601  
352.249.1166  
WWW.DONNELLYARCHITECTURE.COM

**SOLOMON FAMILY  
RESIDENCE RENOVATIONS**  
*Fort White, Florida*

PROJECT LOCATION:  
SOLOMON RESIDENCE  
862 SW BLUFF DRIVE  
FORT WHITE, FLORIDA 32038  
FLORIDA ARCHITECT AR 92950



MAY 5, 2023

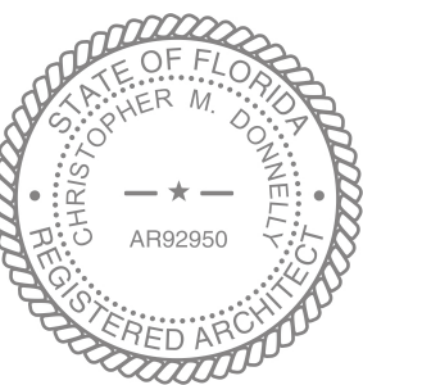
100% CONSTRUCTION DOCUMENTS

GENERAL NOTES AND LEGENDS

**A0.05**

**SOLOMON FAMILY  
RESIDENCE RENOVATIONS**  
*Fort White, Florida*

PROJECT LOCATION:  
SOLOMON RESIDENCE  
862 SW BLUFF DRIVE  
FORT WHITE, FLORIDA 32038  
FLORIDA ARCHITECT AR 92950



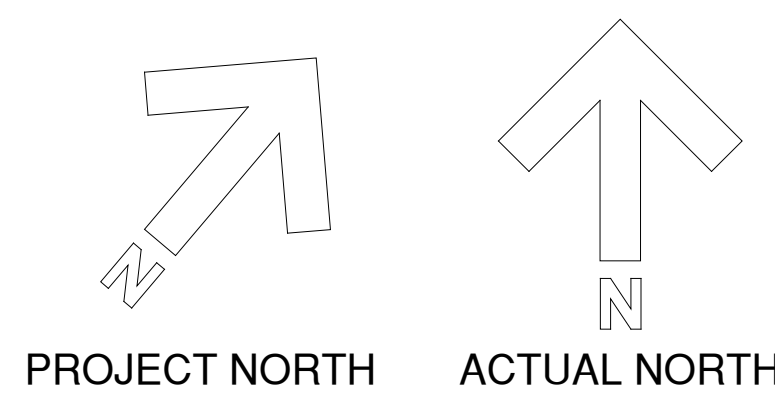
MAY 5, 2023

100% CONSTRUCTION  
DOCUMENTS

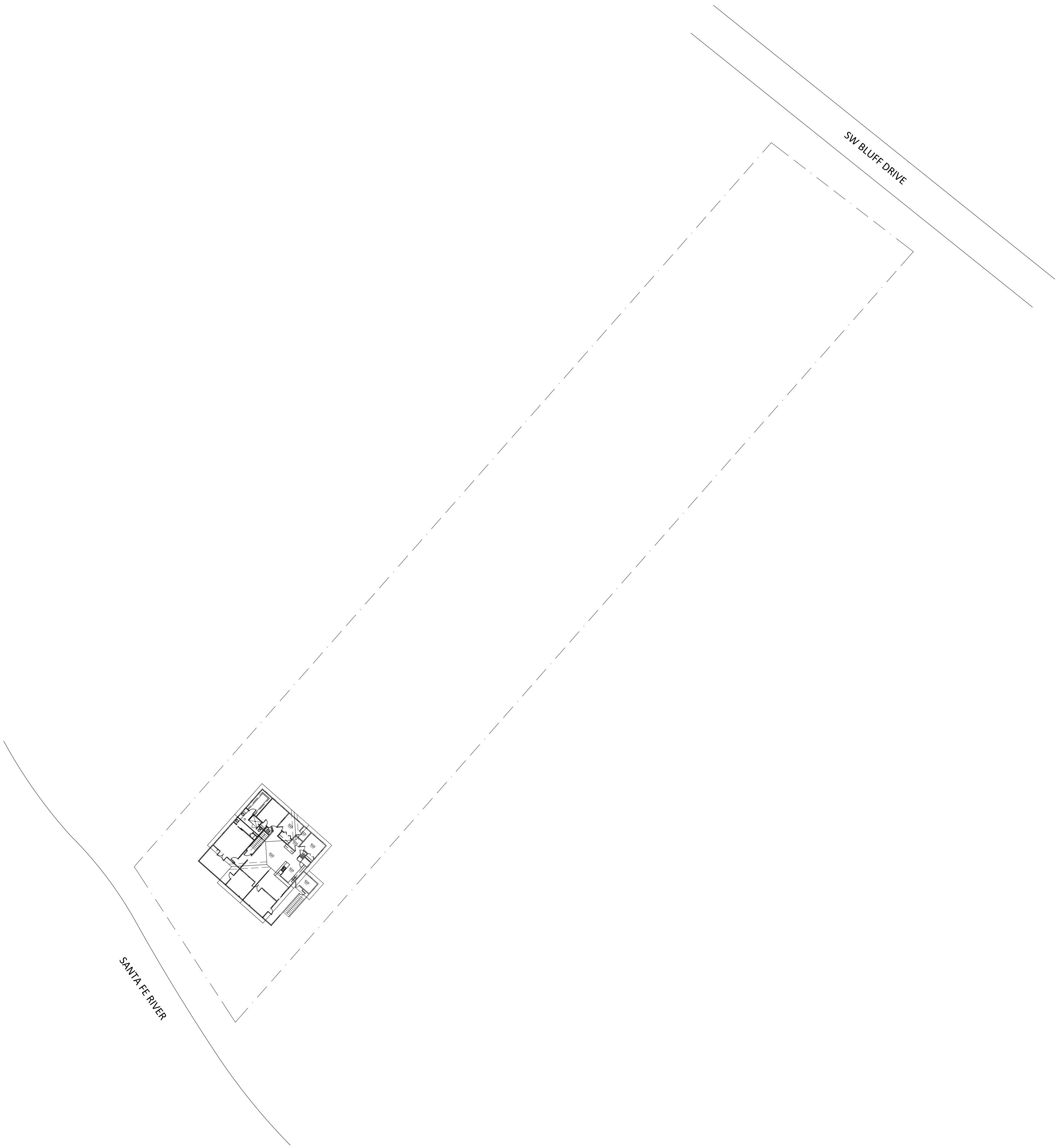
ARCHITECTURAL  
SITE PLAN

**A0.07**

Donnelly Project #22087

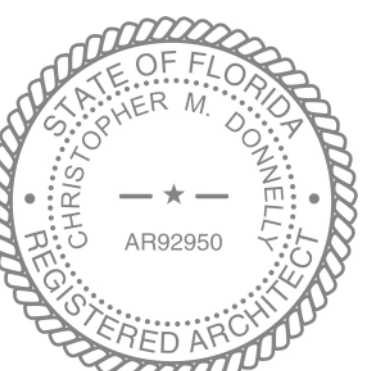


**1 Architectural Site Plan (For information only - site boundary, building location per owner provided survey)**  
Scale: 1" = 20'-0"



**SOLOMON FAMILY  
RESIDENCE RENOVATIONS**  
*Fort White, Florida*

PROJECT LOCATION:  
SOLOMON RESIDENCE  
862 SW BLUFF DRIVE  
FORT WHITE, FLORIDA 32038  
FLORIDA ARCHITECT AR 92950



MAY 5, 2023

100% CONSTRUCTION  
DOCUMENTS

DEMOLITION PLAN  
AND NOTES

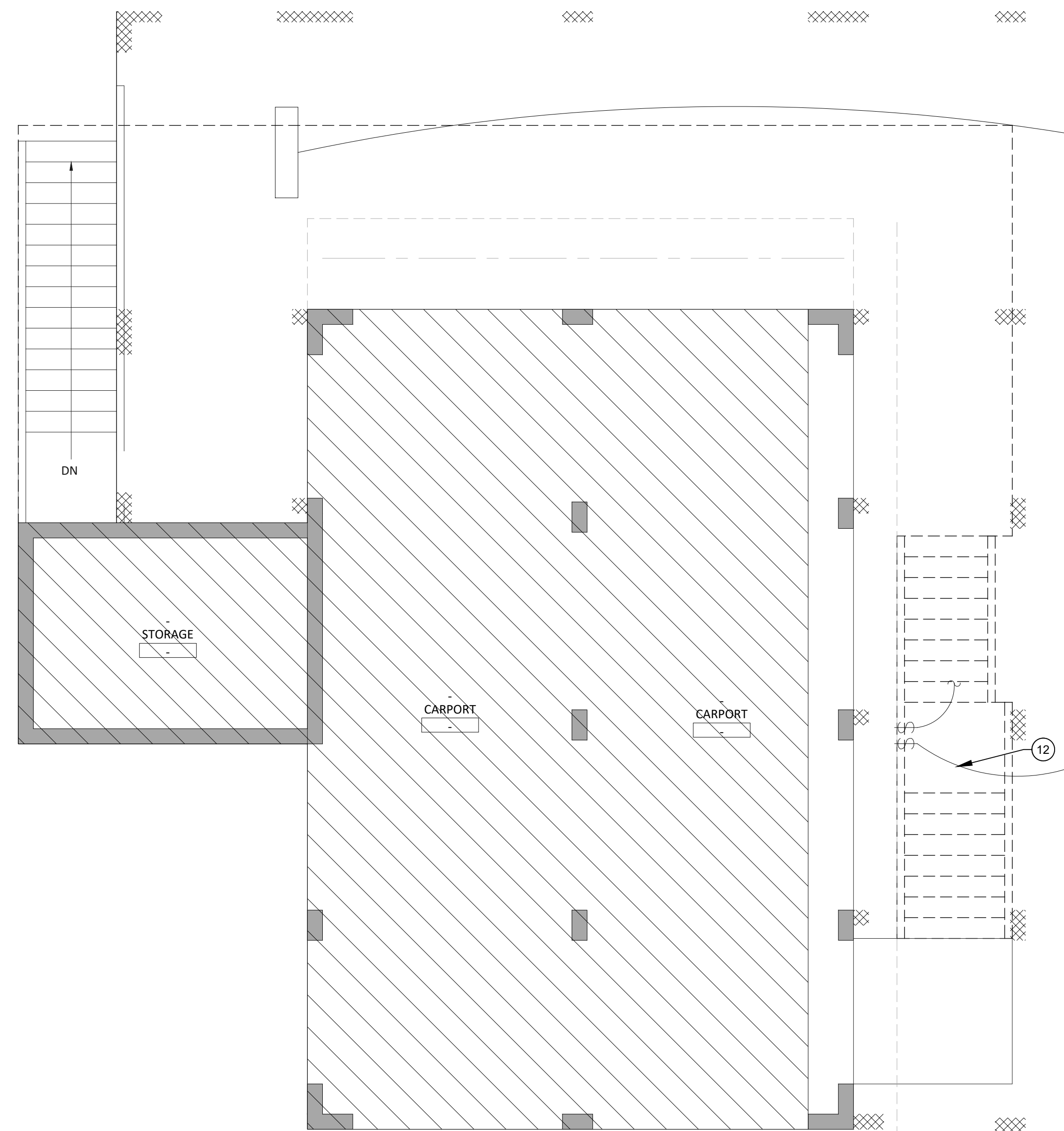
**A0.09**

- DEMOLITION PLAN NOTES**
1. REMOVE EXISTING WALL AS SHOWN.
  2. REMOVE EXISTING DOOR AS SHOWN.
  3. REMOVE EXISTING WINDOW AS SHOWN.
  4. REMOVE EXISTING PLUMBING FIXTURE AS SHOWN.
  5. REMOVE EXISTING CASEWORK AS SHOWN.
  6. REMOVE EXISTING FLOOR FINISH COMPLETE.
  7. PATCH AND REPAIR EXISTING WALLS TO REMAIN.
  8. PARTIALLY REMOVE EXISTING WALL FOR NEW OPENING AS SHOWN.
  9. REMOVE ALL WALL BASE COMPLETE.
  10. REMOVE EXISTING SCREENED PORCH AS SHOWN.
  11. REMOVE EXISTING DECK AND RAILING AS SHOWN.
  12. REMOVE EXISTING STAIRS COMPLETE AS SHOWN.
  13. RELOCATE LANDLINE PHONE TO OFFICE.

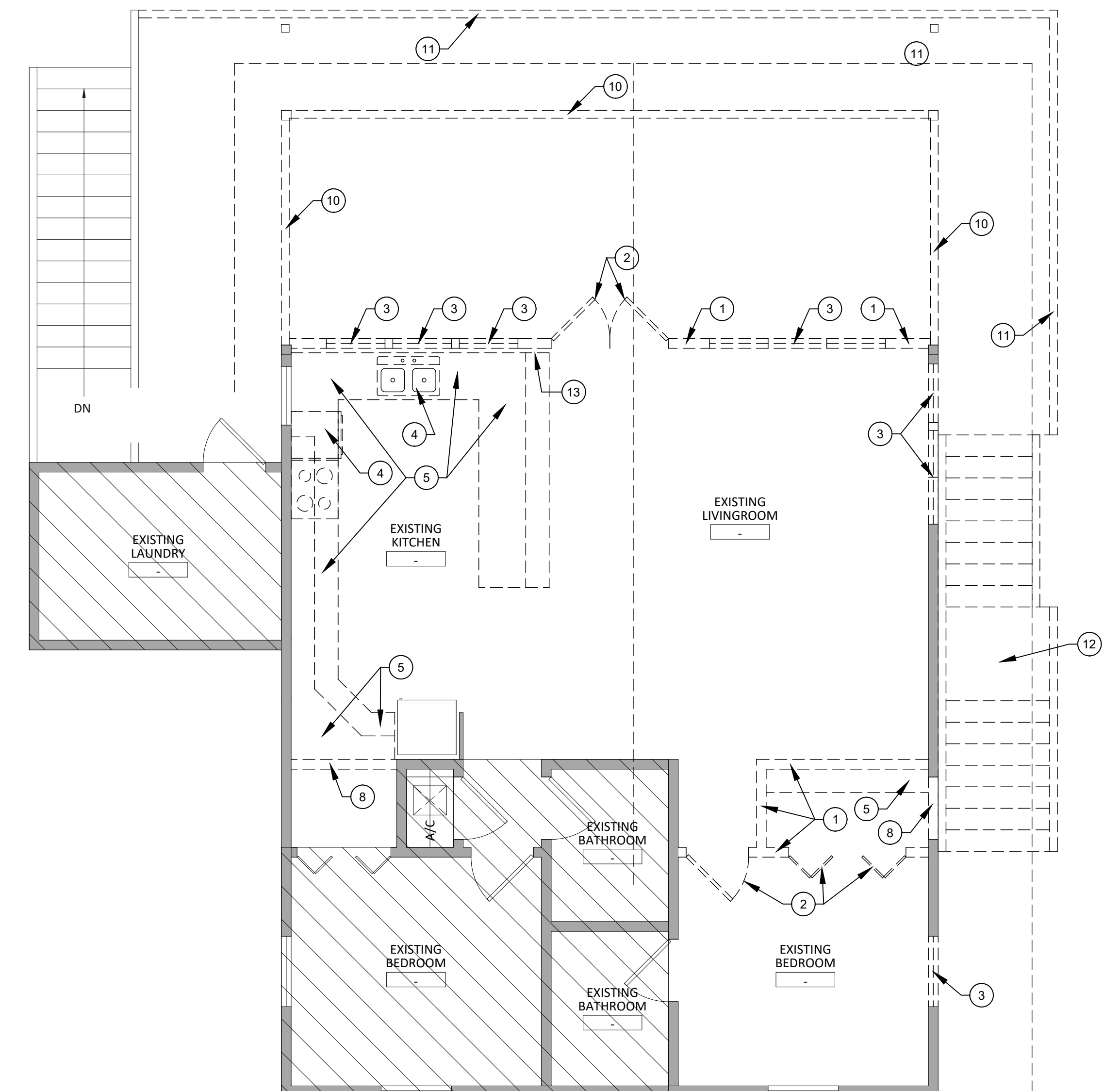
- DEMOLITION PLAN LEGEND**
- EXISTING WALL TO REMAIN
  - EXISTING DOOR TO REMAIN
  - EXISTING WINDOW TO REMAIN
  - EXISTING WALL, WINDOW, OR DOOR TO BE REMOVED AS SHOWN
  - HATCHED AREAS NOT INCLUDED IN THE SCOPE OF ARCHITECTURAL WORK

- NOTE:**
1. OWNER HAS FIRST RIGHT OF REFUSAL FOR ALL MATERIALS, EQUIPMENT, AND/OR FIXTURES INDICATED TO BE REMOVED.
  2. CAP EXISTING ABANDONED PLUMBING IN WALL, FLOOR, OR CEILING. COMPLETELY REMOVE OTHER UTILITIES AS NOTED FOR DEMOLITION, REMOVAL, RELOCATION OF APPLIANCES, EQUIPMENT, FIXTURES, WALLS AS SHOWN.
  3. CUTTING OF STRUCTURAL MEMBERS AND BEARING WALLS NOT SHOWN ON THESE DRAWINGS SHALL ONLY BE DONE WITH WRITTEN APPROVAL OF THE ENGINEER. USE BRACING AND SHORING WHERE NECESSARY TO MAINTAIN STRUCTURAL INTEGRITY OF THE BUILDING.
  4. KEEP BUILDING REASONABLY CLEAN AND SWEEP DAILY.
  5. PROMPTLY REMOVE MATERIALS, RUBBISH, AND DEBRIS FROM THE BUILDING AND PROPERTY.
  6. PROVIDE CUTTING AND PATCHING OF EXISTING WORK AS REQUIRED. VERIFY EXACT LOCATIONS AND MATERIALS OF EXISTING BEFORE PERFORMING WORK.

Window fall protection shall be provided in accordance with Sections R312.2.1 and R312.2.2



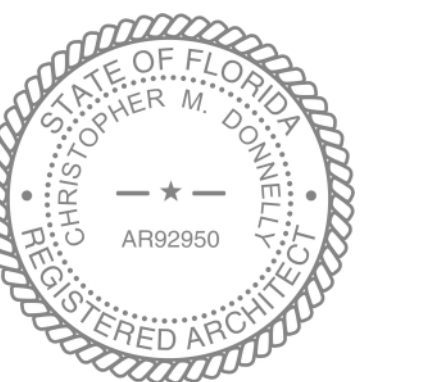
**1 1st Floor Demolition Plan**  
Scale: 1/4" = 1'-0"



**1 2nd Floor Demolition Plan**  
Scale: 1/4" = 1'-0"

**SOLOMON FAMILY  
RESIDENCE RENOVATIONS**  
*Fort White, Florida*

PROJECT LOCATION:  
SOLOMON RESIDENCE  
862 SW BLUFF DRIVE  
FORT WHITE, FLORIDA 32038  
FLORIDA ARCHITECT AR 92950

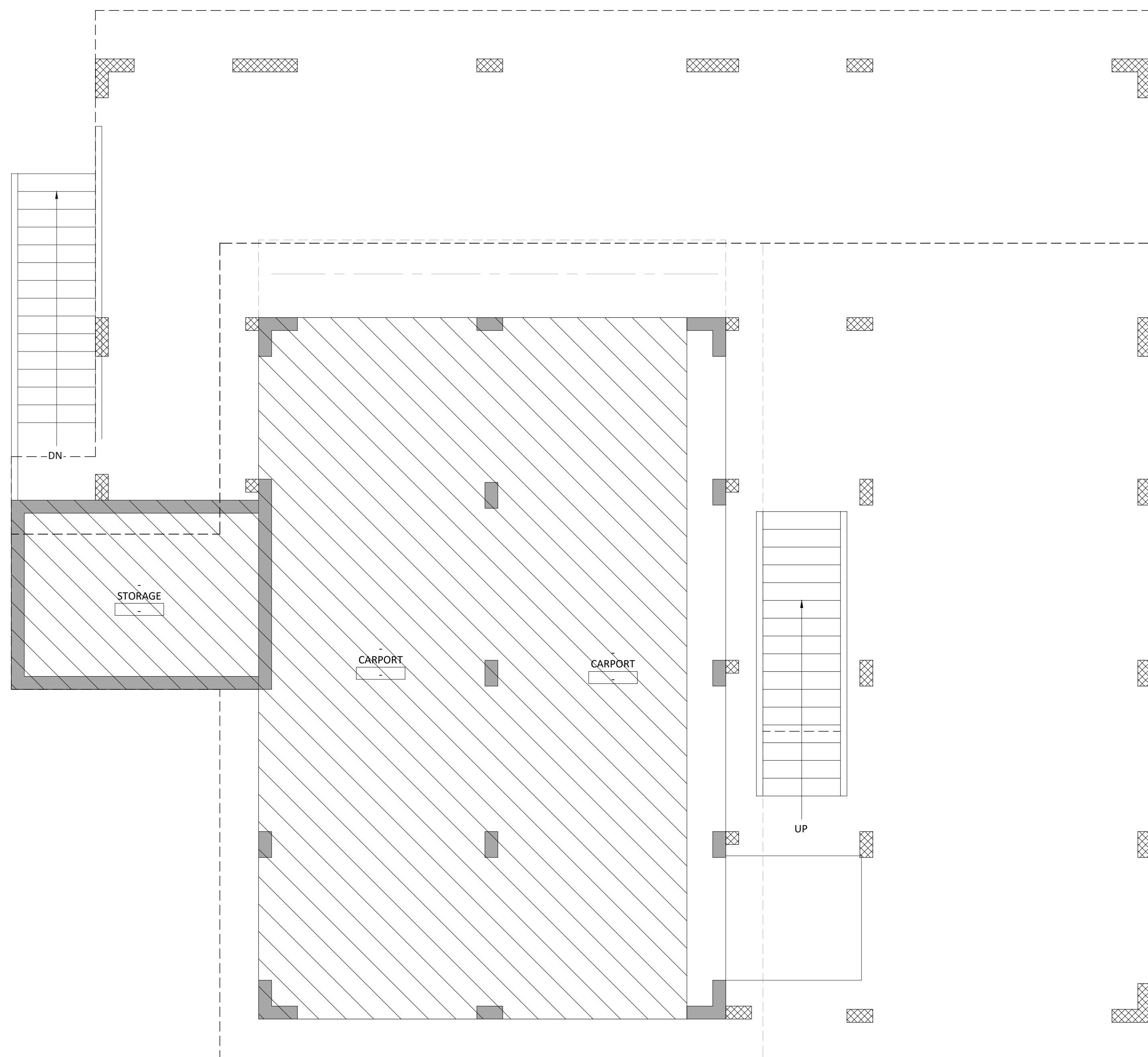


MAY 5, 2023

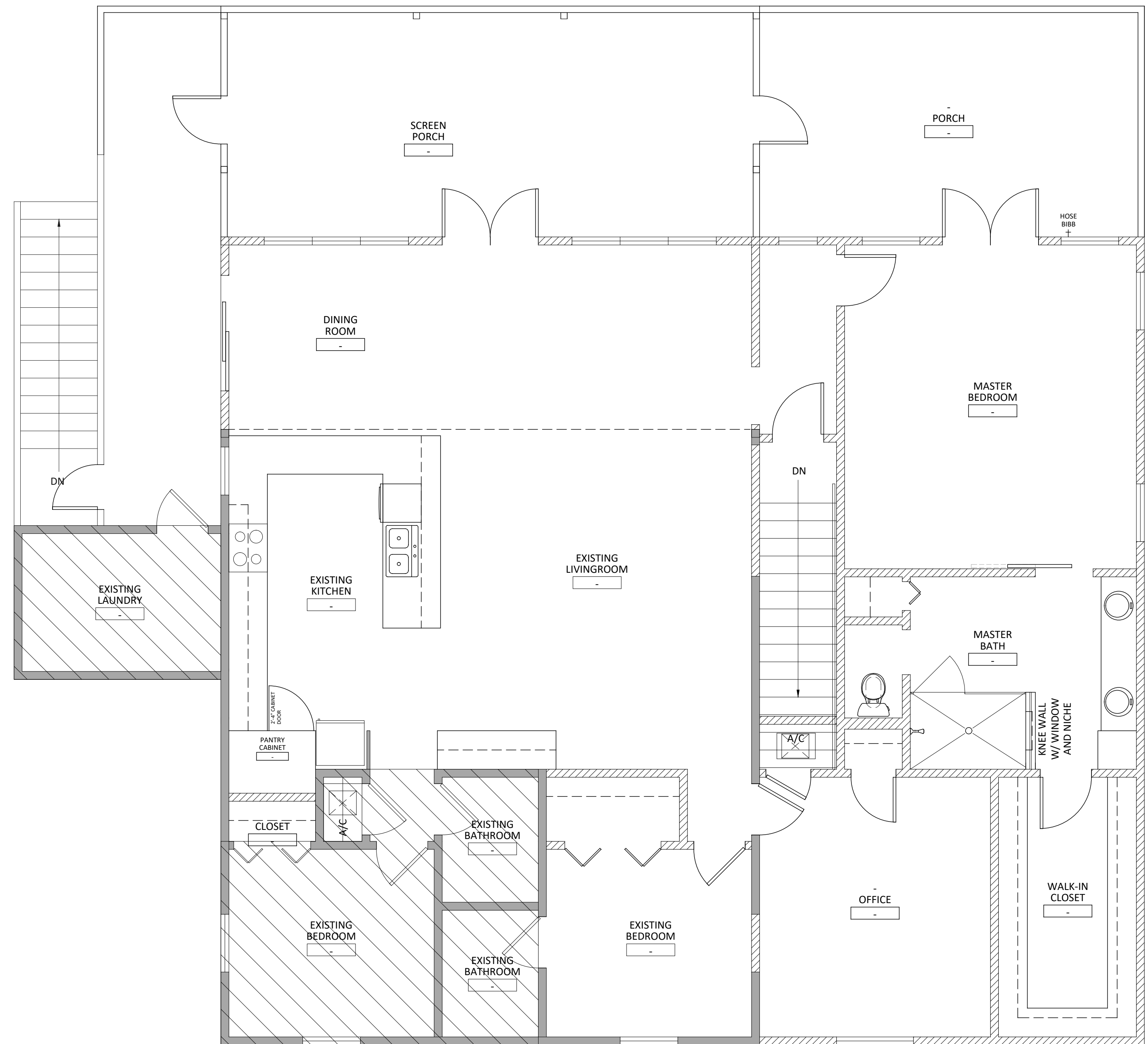
100% CONSTRUCTION  
DOCUMENTS

OVERALL  
FLOOR PLAN

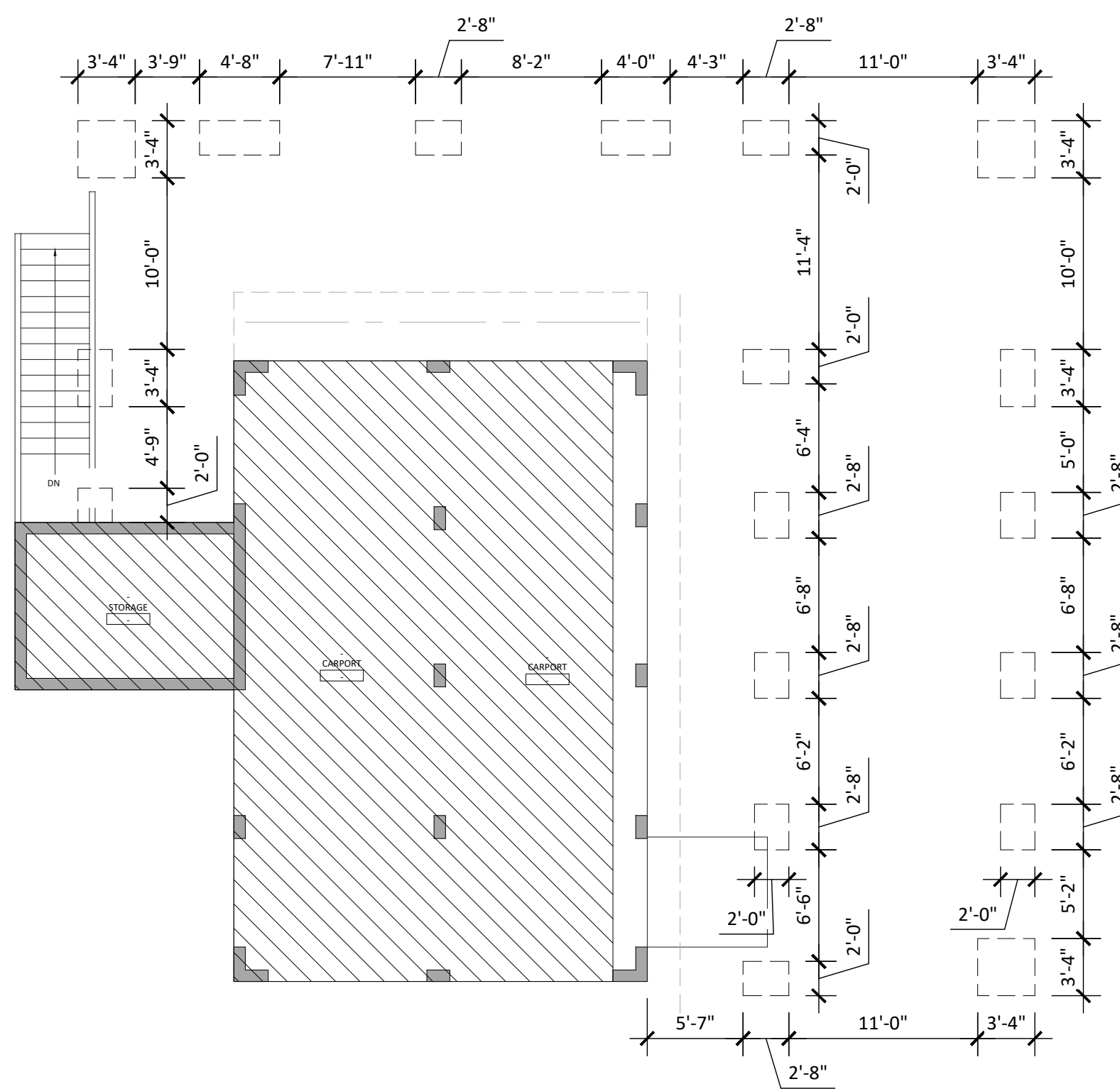
**A0.10**



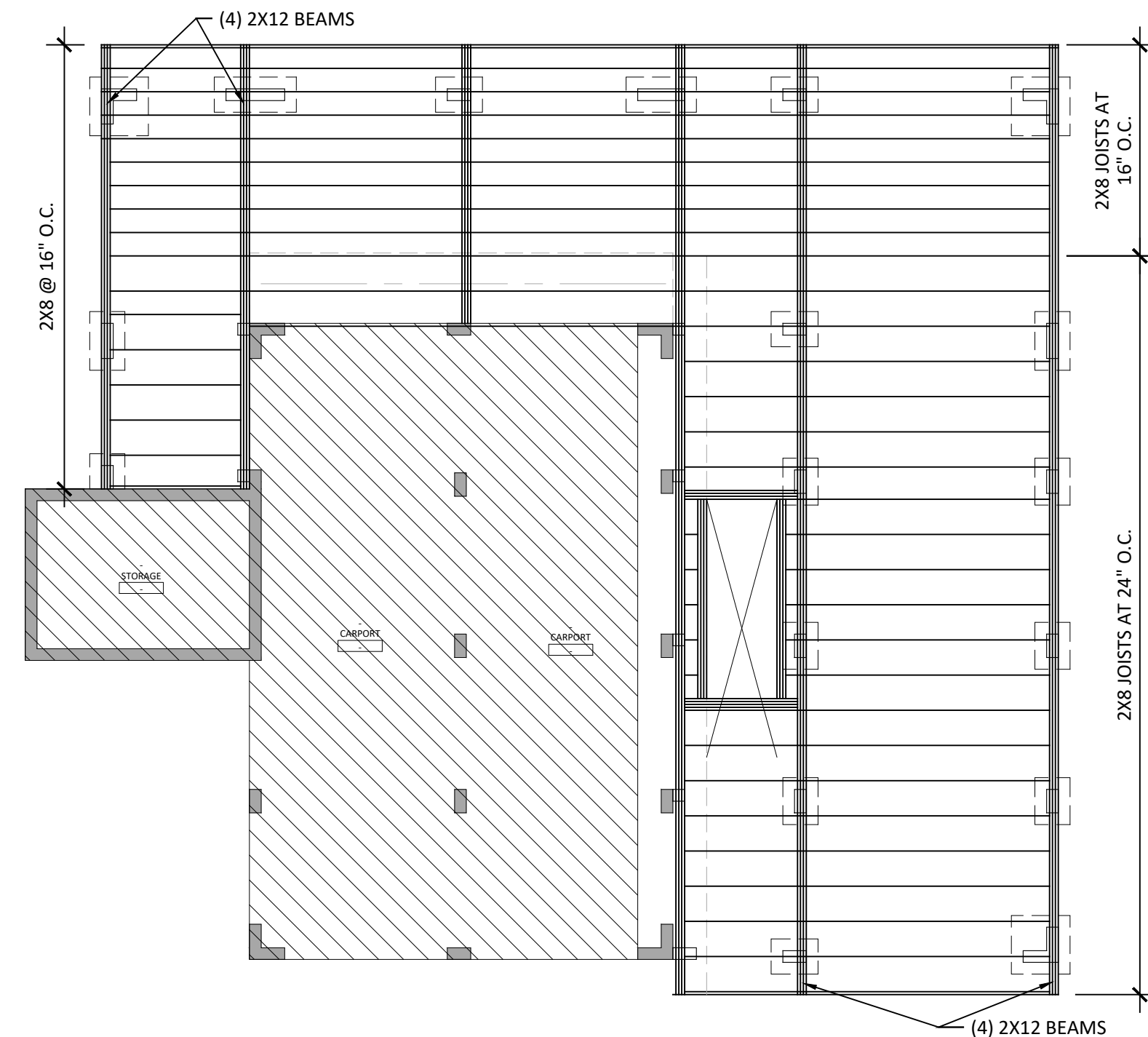
**0 Overall 1st Floor Plan (Shown without tags or dimensions to show completed design intent)**  
Scale: 1/4" = 1'-0"



**1 Overall 2nd Floor Plan (Shown without tags or dimensions to show completed design intent)**  
Scale: 1/4" = 1'-0"



**1 Slab Plan**  
Scale: 1/8" = 1'-0"



**2 Bearing Wall Plan and Lintel Plan**  
Scale: 1/8" = 1'-0"

**ATTIC VENTILATION CALCULATIONS**

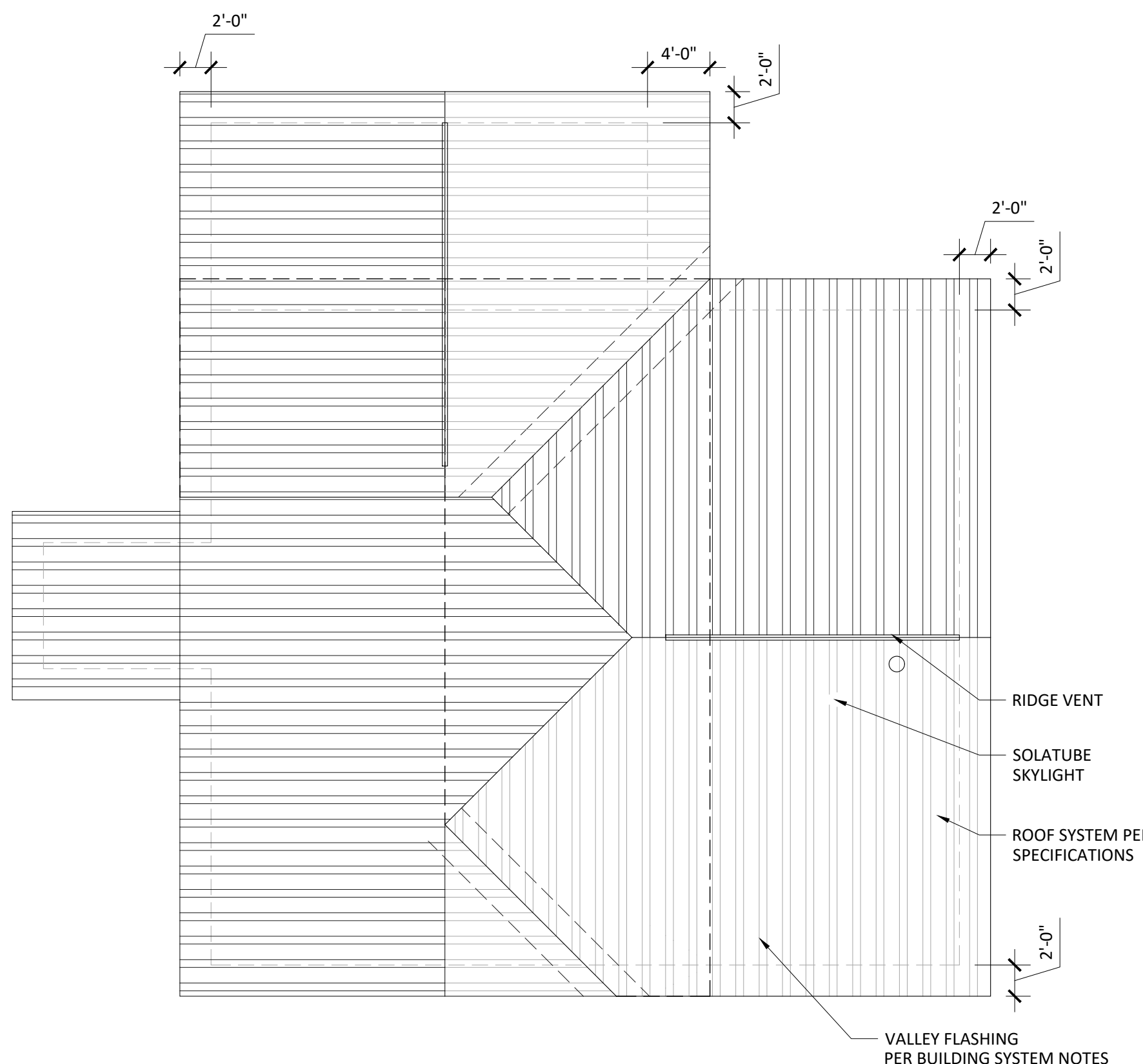
ENCLOSED ATTIC SPACE  
= 2,522 SQ. FT.

2,522/300 (FBC-R 806.1) (FBC 1203.2)  
= 8.4 SQ. FT. / 2 = 4.2 SQ. FT. X 144 = 604.8 SQ. IN.

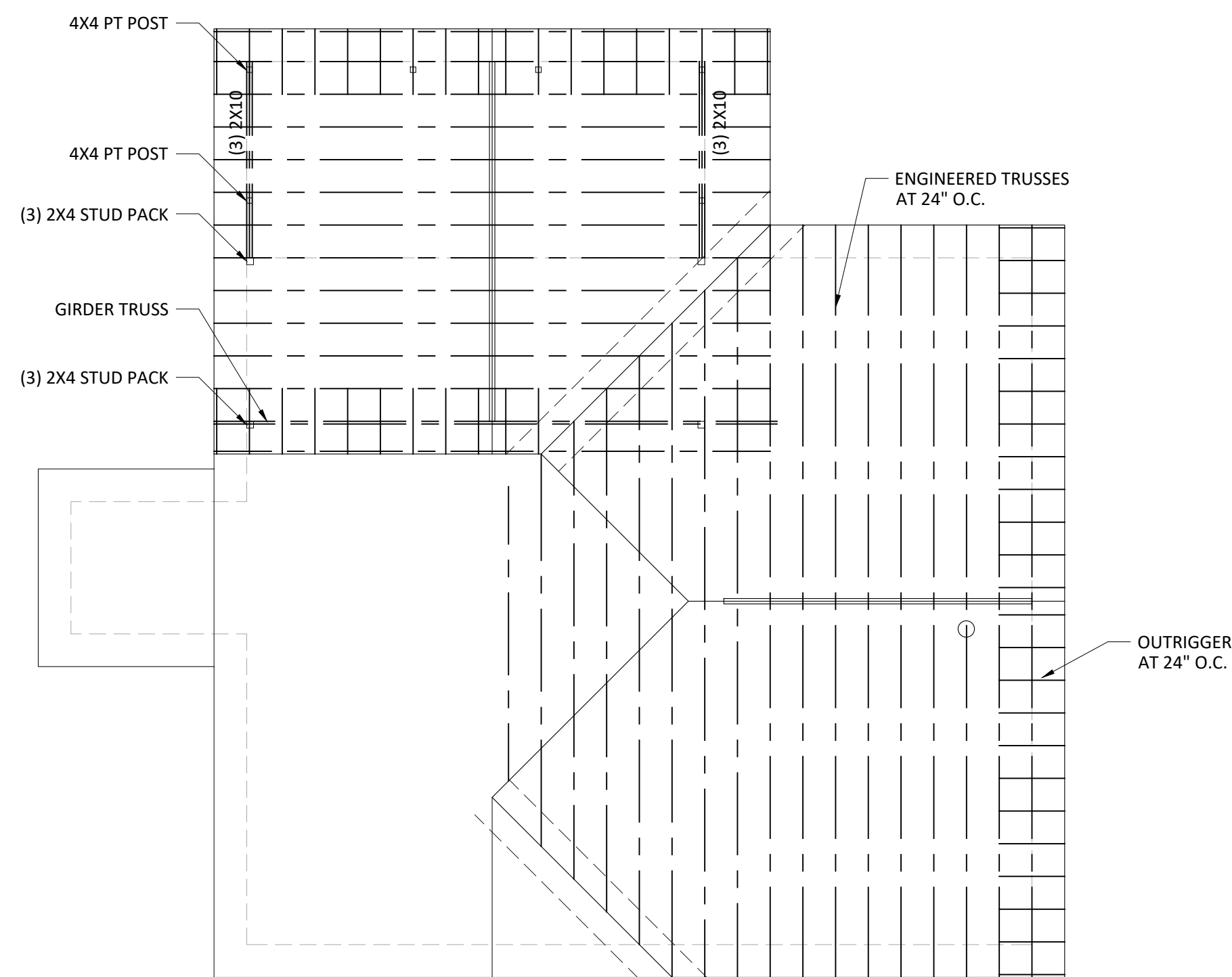
604.8 MINIMUM SQ. IN. OF NET FREE AREA OF EXHAUST NEEDED AT OR NEAR THE RIDGE  
604.8 MINIMUM SQ. IN. OF NET FREE AREA OF INTAKE NEEDED AT OR NEAR THE SOFFIT

IN NO CASE SHOULD THE AMOUNT OF EXHAUST VENTILATION EXCEED THE AMOUNT OF INTAKE VENTILATION.

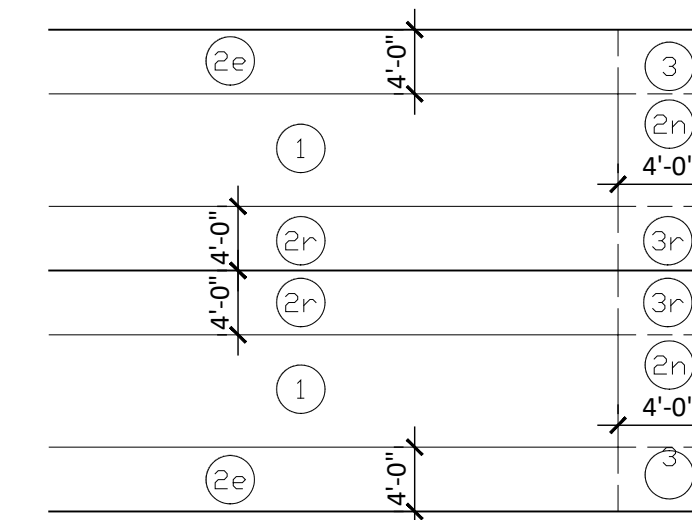
GAF COBRA RIDGE VENT = 12.5 SQ. IN. / LINEAL FOOT OF RIDGE VENT  
CERTAINTED VENTED VINYL SOFFIT = 9 SQ. IN. / LINEAL FOOT



**3 Roof Plan**  
Scale: 1/8" = 1'-0"



**4 Roof Framing Plan**  
Scale: 1/8" = 1'-0"



**ROOF SHEATHING NAILING ZONE:**

ROOF SHEATHING NAILING PATTERN:

- ZONE ① : USE 8D COMMON NAILS AT 6" O.C. AT EDGES AND 6" O.C. INTERMEDIATE.
- ZONE ② : USE 8D COMMON NAILS AT 4" O.C. (ALL FIELDS)
- ZONE ③ : USE 8D COMMON NAILS AT 4" O.C. (ALL FIELDS)

GABLE END WALL SHEATHING NAILING PATTERN:

- SEE ROOF SYSTEM SPECIFICATIONS

**ROOF FRAMING PLAN LEGEND:**

— STANDARD WOOD TRUSS  
- - - WOOD BEAM AS LABELED  
- - - WOOD FRAMING AS NOTED

**ROOF FRAMING PLAN NOTES:**

- THIS ROOF FRAMING PLAN MAY BE ALTERED WITH PRIOR APPROVAL OF ARCHITECT OF RECORD. FINAL ROOF TRUSS CONFIGURATION AND DESIGN WILL BE BY THE TRUSS MANUFACTURER.
- ALL DIMENSIONS SHOWN ARE MEASURED FROM THE EXTERIOR FACE OF THE BEARING WALL.
- COORDINATE LOCATION OF ATTIC ACCESS PANELS WITH ARCHITECTURAL FLOOR PLAN AND REFLECTED CEILING PLAN. PANELS SHALL BE A MINIMUM OF 3'-0" LONG X CLEAR WIDTH BETWEEN TRUSSES.

**2020 FLORIDA BUILDING CODE SECTION 1604 INFORMATION FOR SOLOMON RESIDENCE**

- ULTIMATE WIND DESIGN SPEED = 140  
NOMINAL DESIGN WIND = 113 MPH
- I = 1.00  
BUILDING CATEGORY II
- RISK EXPOSURE = C
- INTERNAL PRESSURE COEFFICIENT = 0.18
- C&C WIND PRESSURE  
ZONE 1 = +15.98/-25.43 PSF  
ZONE 2 = +15.98/-44.35 PSF  
ZONE 3 = +15.98/-65.56 PSF  
ZONE 4 = +17.63/-19.13 PSF  
ZONE 5 = +17.63/-23.61 PSF

**DESIGN NOTES:**

ROOF SHEATHING: SEE ROOF SYSTEM SPECIFICATIONS

ROOF SHEATHING NAILS: SEE ROOF SHEATHING NOTES

GABLE END FASTENERS: SEE ROOF SYSTEM SPECIFICATIONS

TRUSS ANCHORS: TRUSS ANCHORS ARE IMBEDDED IN CONCRETE OR GROUT, AND SHALL BE ACCURATELY LOCATED. MISPLACED OR MISSING ANCHORS WILL REQUIRE REMEDIAL ACTION DECIDED UPON BY THE ENGINEER-OF-RECORD, AND WILL BE CORRECTED BY THE CONTRACTOR AT NO ADDITIONAL COST TO THE OWNER.

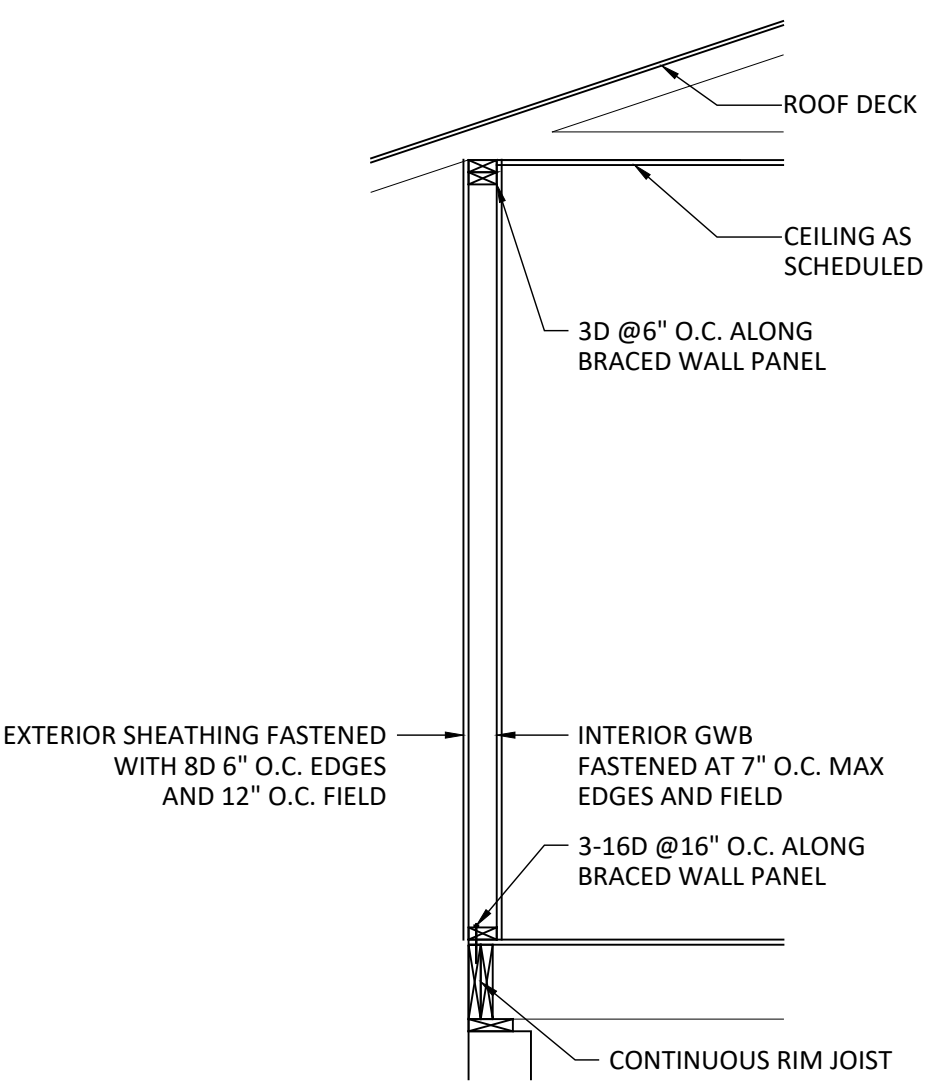
**SLAB/ FOUNDATION PLAN NOTES**

- ALL EXTERIOR CONCRETE SLABS SHALL RECEIVE A LIGHT BROOM FINISH UNLESS NOTED OTHERWISE.
- FIBER MESH REINFORCING MAY BE USED IN LIEU OF W.W.F.
- STEP FOUNDATIONS WHERE SHOWN AND AS REQUIRED TO AVOID INTERFERENCE WITH OTHER TRADES. SEE TYPICAL STEPPED FOOTING DETAIL.
- ALL FOOTINGS SHALL BE CENTERED BENEATH BEARING WALLS AND COLUMNS UNLESS OTHERWISE NOTED.

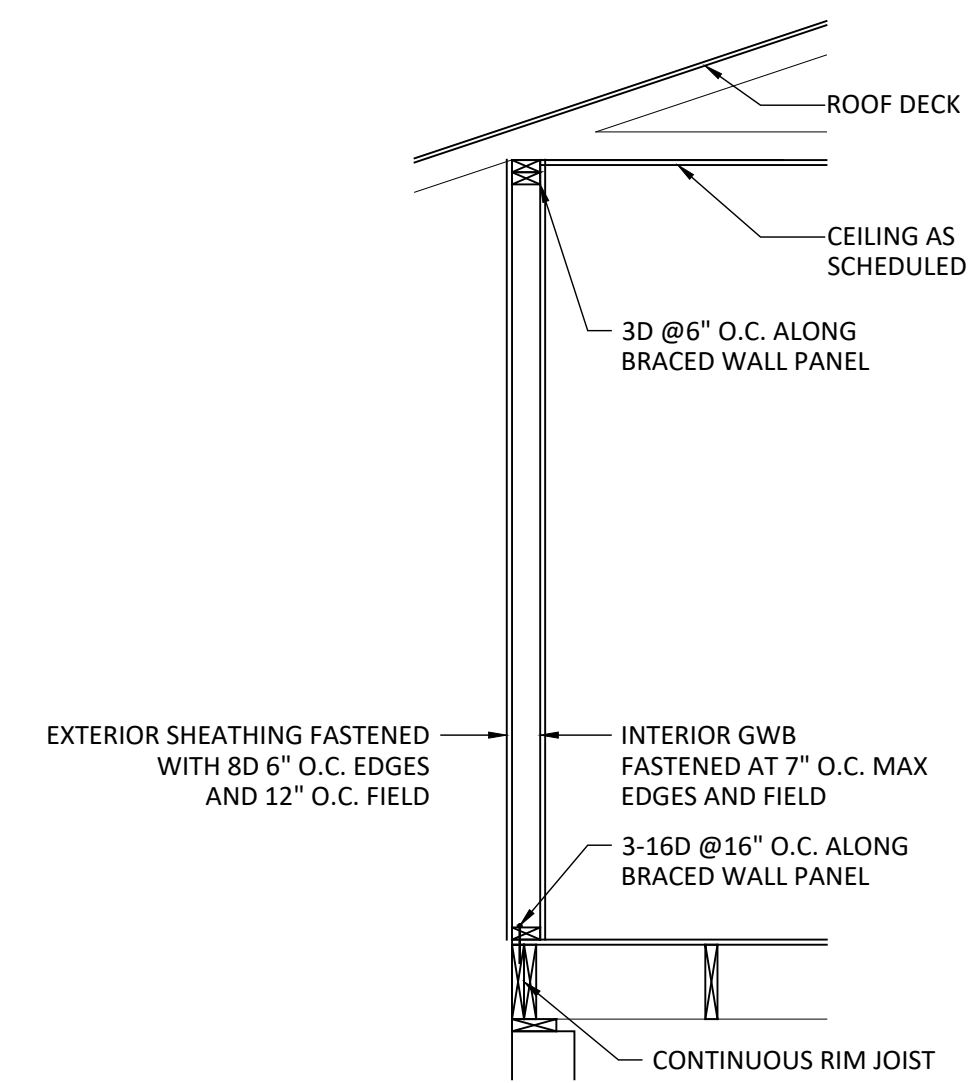
**SLAB PLAN LEGEND**

EXTERIOR CONCRETE SLAB:  
SLOPE SLAB TO DRAIN IN DIRECTION INDICATED BY ARROW.

NOTE:  
1. SEE A0.25 FOR FLOOR SYSTEM SPECIFICATIONS.



**A Wall Framing Detail**  
Scale: 1/2" = 1'-0"



**B Wall Framing Detail**  
Scale: 1/2" = 1'-0"

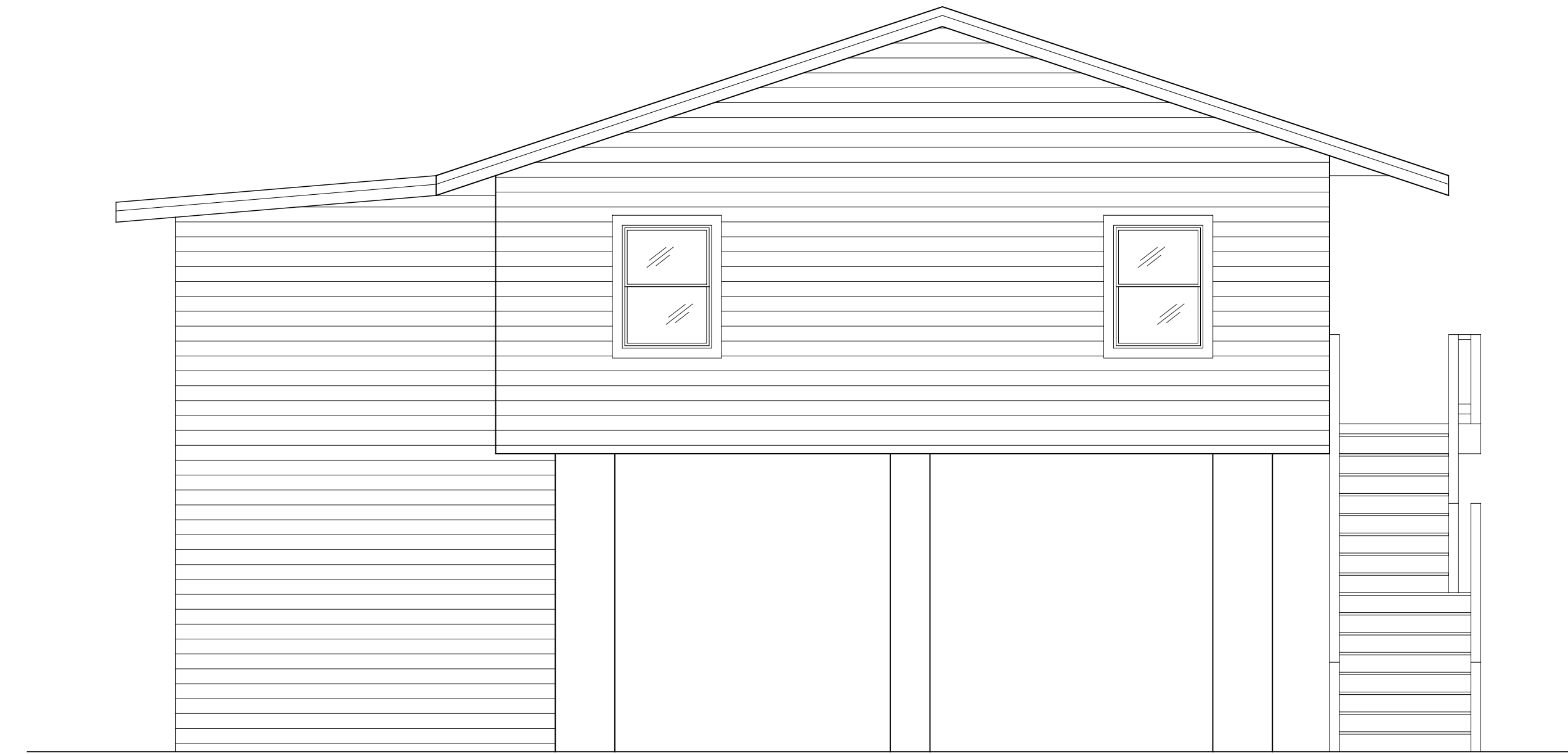


**ELEVATION NOTES:**

1. PROVIDE MINIMUM 6" ADDRESS NUMBERS ON FRONT ELEVATION, VISIBLE FROM THE STREET.
2. SEE A0.25 FOR BUILDING SECTIONS AND EXTERIOR BUILDING SYSTEM SPECIFICATIONS.
3. WHERE EXTERIOR FINISHES AND COLORS ARE INDICATED, TRANSITIONS SHALL OCCUR AT INSIDE CORNERS OR TRIMS, UNLESS NOTED OTHERWISE.



**1 Side (West) Elevation - Existing**  
Scale: 1/4" = 1'-0"



**2 (Front) North Elevation - Existing**  
Scale: 1/4" = 1'-0"



**3 Rear (South) Elevation - Existing**  
Scale: 1/4" = 1'-0"



**4 Side (East) Elevation - Existing**  
Scale: 1/4" = 1'-0"

**SOLOMON FAMILY  
RESIDENCE RENOVATIONS**  
*Fort White, Florida*

PROJECT LOCATION:  
SOLOMON RESIDENCE  
862 SW BLUFF DRIVE  
FORT WHITE, FLORIDA 32038  
FLORIDA ARCHITECT AR 92950



MAY 5, 2023

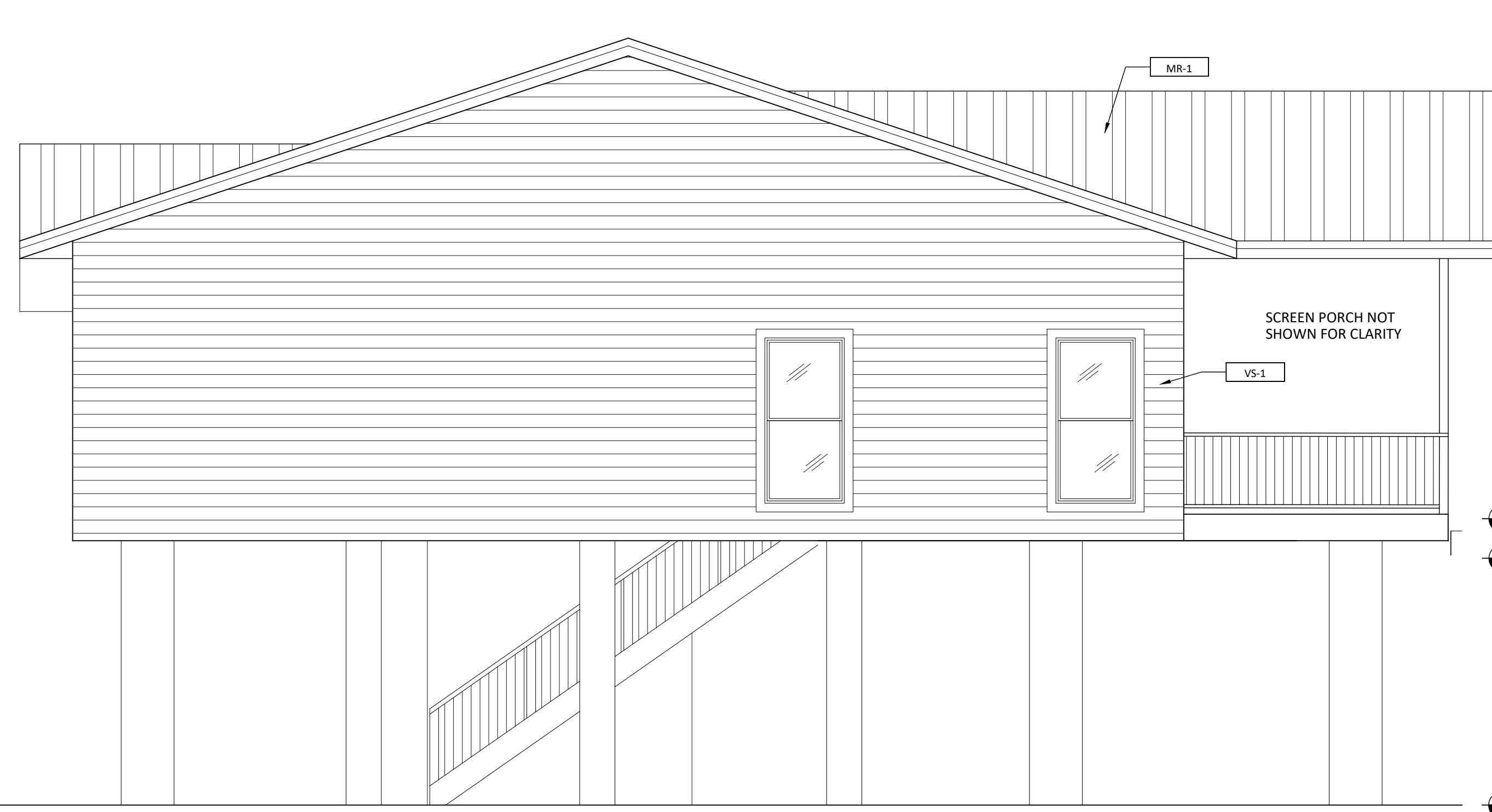
100% CONSTRUCTION  
DOCUMENTS

EXTERIOR  
ELEVATIONS

**A0.20**

**ELEVATION NOTES:**

1. PROVIDE MINIMUM 6" ADDRESS NUMBERS ON FRONT ELEVATION, VISIBLE FROM THE STREET.
2. SEE A0.25 FOR BUILDING SECTIONS AND EXTERIOR BUILDING SYSTEM SPECIFICATIONS.
3. WHERE EXTERIOR FINISHES AND COLORS ARE INDICATED, TRANSITIONS SHALL OCCUR AT INSIDE CORNERS OR TRIMS, UNLESS NOTED OTHERWISE.



**1 Side (West) Elevation - Proposed (Screen porch not shown for clarity)**

Scale: 1/4" = 1'-0"



**2 Front (North) Elevation - Proposed**

Scale: 1/4" = 1'-0"



**3 Rear (East) Elevation - Proposed (Screen porch not shown for clarity)**

Scale: 1/4" = 1'-0"



**4 Side (South) Elevation - Proposed (Screen porch not shown for clarity)**

Scale: 1/4" = 1'-0"

**SOLOMON FAMILY  
RESIDENCE RENOVATIONS**  
*Fort White, Florida*

PROJECT LOCATION:  
SOLOMON RESIDENCE  
862 SW BLUFF DRIVE  
FORT WHITE, FLORIDA 32038  
FLORIDA ARCHITECT AR 92950



MAY 5, 2023

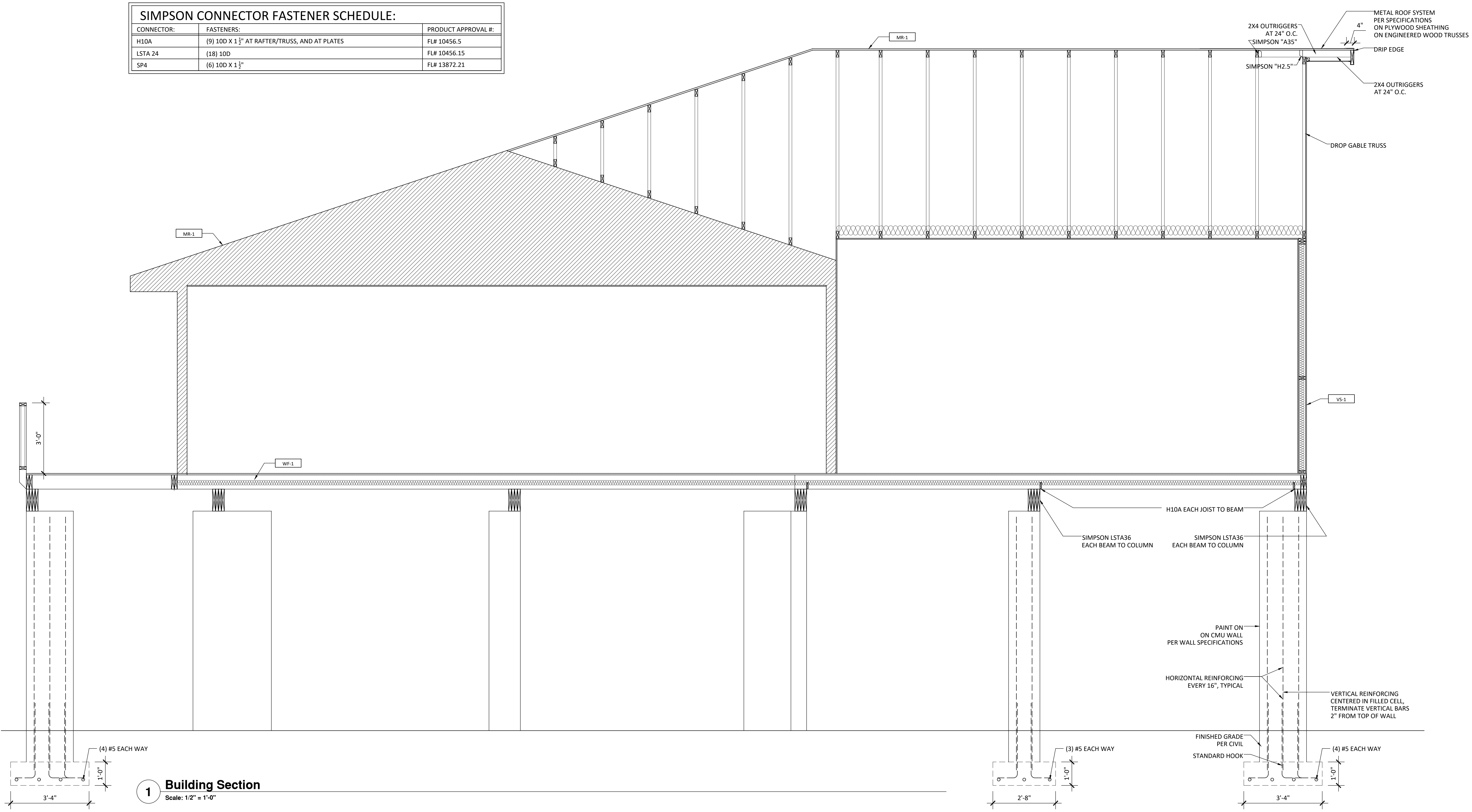
100% CONSTRUCTION  
DOCUMENTS

EXTERIOR  
ELEVATIONS

**A0.21**



SIMPSON CONNECTOR FASTENER SCHEDULE:		
CONNECTOR:	FASTENERS:	PRODUCT APPROVAL #:
H10A	(9) 10D X 1 1/2" AT RAFTER/TRUSS, AND AT PLATES	FL# 10456.5
LSTA 24	(18) 10D	FL# 10456.15
SP4	(6) 10D X 1 1/2"	FL# 13872.21



**1 Building Section**  
Scale: 1/2" = 1'-0"

**DONNELLY**  
*Architecture*  
ARCHITECTS  
1384 NORTH CITRUS AVENUE  
CRYSTAL RIVER, FLORIDA 34428  
825 NW 13TH STREET  
GAINESVILLE, FLORIDA 32601  
352.249.1166  
WWW.DONNELLYARCHITECTURE.COM

**SOLOMON FAMILY  
RESIDENCE RENOVATIONS**  
*Fort White, Florida*

PROJECT LOCATION:  
SOLOMON RESIDENCE  
862 SW BLUFF DRIVE  
FORT WHITE, FLORIDA 32038  
FLORIDA ARCHITECT AR 92950



MAY 5, 2023

ROOF SYSTEM SPECIFICATIONS						
CODE	SYSTEM	MANUFACTURER/ PRODUCT SELECTION	SUBSTRATE	FLASHING	ROOF/ ATTIC VENTILATION SYSTEM	INSULATION SYSTEM
MR-1	METAL ROOF SYSTEM	PBR PROFILE ROOF PANELS PROVIDING A 36 INCHES WIDE NET COVERING, HAVING 1.25 INCHES HIGH MAJOR RIBS AT 12 INCHES CENTERS AND TWO MINOR RIBS BETWEEN THE MAJOR RIBS. SHEET STEEL SHALL BE OF MATERIAL BASED ON THE REQUIREMENTS OF AISI S100, AS APPLICABLE. MINIMUM YIELD STRENGTH SHALL BE 60,000 PSI.  PANEL THICKNESS - 26 GAUGE MINIMUM. PANEL EXTERIOR FINISH AND COLOR - GALVALUME.  PANEL INTERIOR SHALL BE PRECOATED WITH A 0.5 MIL MINIMUM POLYESTER WASH COAT. (20 YEAR GALVALUME WARRANTY)	ROOF SHEATHING SHALL BE EXTERIOR EXPOSURE: 3/4" PLYWOOD OR 5/8" OSB. WITH H-CLIPS. SEE ROOF SHEATHING NOTES ON SHEET AD.41 FOR FASTENER TYPE AND SPACING.  SEE EXTERIOR WALL SYSTEM SPECIFICATIONS FOR GABLE END SHEATHING AND FASTENER TYPE AND SPACING.	0.032 INCH (0.8 MM) ALUMINUM SHEET, COMPLYING WITH ASTM B 209. USE METAL FLASHINGS AT EAVE EDGES, RAKE EDGES, STEP FLASHING AT CHIMNEYS, SIDE WALLS AND DORMERS. VALLEYS SHALL HAVE LEAK BARRIER AT LEAST 36 INCHES WIDE CENTERED ON VALLEY; LAP ENDS 8 INCHES (203 MM) AND SEAL.	RIDGE VENT SHALL BE FLEXIBLE RIDGE VENTILATOR OR DESIGNED TO ALLOW THE PASSAGE OF AIR FROM ATTICS. COBRA RIDGE VENT, BY GAF-ELK OR APPROVED EQUAL.  VINYL SOFFIT EQUAL TO CERTAINTED VINYL SOFFIT (NON-VENTED) INSTALLED PER FL#13389.1.  CEMENTITIOUS SOFFIT EQUAL TO HARDIE SOFFIT PANELS NON-VENTED.	R-38 BATTS (12" THICKNESS) EQUAL TO OWENS CORNING ECOTOUCH  INSULATION SUB CONTRACTOR SHALL PROVIDE ARCHITECT AN INSULATION CERTIFICATE STATING TYPE AND INSULATION R-VALUE OF INSTALLED INSULATION FOR ALL AREAS AND TYPES.

ROOF FRAMING AND TRUSSES:  
1. ENGINEERED ROOF TRUSS SHOP DRAWINGS SHALL BE SIGNED AND SEALED BY AN ENGINEER REGISTERED TO PRACTICE STRUCTURAL ENGINEERING IN THE STATE OF FLORIDA. SHOP DRAWINGS SHALL SHOW ALL LAYOUTS, PROFILES, LOAD DIAGRAMS, AND TRUSS-TO-TRUSS CONNECTIONS. PROVIDE ALL REQUIRED INFILL FRAMING, BLOCKING, AND BRACING NECESSARY TO FRAME ENTIRE ROOF ASSEMBLY.  
2. ROOF FRAMING:  
TOP CHORD DEAD LOAD (TCDL): 10 PSF  
TOP CHORD LIVE LOAD (TCLL): 20 PSF  
BOTTOM CHORD DEAD LOAD (BCDL): 10 PSF  
FASCIA:  
1. PRESSURE TREATED 2X8.  
2. PROVIDE ALUMINUM PAINTED FASCIA WRAPS.

FLOOR SYSTEM SPECIFICATIONS				
CODE	SYSTEM	SPECIFICATION	VAPOR BARRIER	INSULATION
WF-1	WOOD FRAMED	SEE FRAMING PLAN FOR FLOOR FRAMING SYSTEM	BUILDING WRAP EQUAL TO DUPONT TYVEK COMMERCIAL WRAP (FOR ELEVATED FIRST FLOOR SLABS)	FLOOR SHEATHING SHALL BE: 3/4" PLYWOOD. 24/16  MINIMUM R-13 (3 1/2" THICKNESS) EQUAL TO OWENS CORNING ECOTOUCH  INSULATION SUB CONTRACTOR SHALL PROVIDE ARCHITECT AN INSULATION CERTIFICATE STATING TYPE AND INSULATION R-VALUE OF INSTALLED INSULATION FOR ALL AREAS AND TYPES.

EXTERIOR WALL SYSTEM SPECIFICATIONS					
CODE	SYSTEM	MANUFACTURER/ PRODUCT SELECTION	PAINT	WEATHER RESISTIVE BARRIER	INSULATION
VS-1	VINYL SIDING	EQUAL TO PORTSMOUTH SHAKE AND SHINGLE V-PRO 7" SHINGLES BY ROYAL BUILDING PRODUCTS, INSTALLED PER FL#17064.1	NOT APPLICABLE	BUILDING WRAP EQUAL TO DUPONT TYVEK COMMERCIAL WRAP	WALL SHEATHING SHALL BE EXTERIOR EXPOSURE: 3/4" PLYWOOD OR 5/8" OSB. WITH 6D COMMON NAILS AT 6" O.C. EDGES AND FIELD ON 2X4 FRAMING AT 16" O.C. WITH MID-HEIGHT BLOCKING "NO. 2" GRADE, STRESS RATED SOUTHERN PINE OR APPROVED EQUIVALENT.  TREAT ALL ITEMS IN CONTACT WITH CONCRETE OR MASONRY. WOOD CANTS, NAILERS, CURBS, EQUIPMENT SUPPORT BASES, BLOCKING, STRIPPING, AND SIMILAR MEMBERS IN CONNECTION WITH ROOFING, FLASHING, VAPOR BARRIERS, AND WATERPROOFING. WOOD SILLS, SLEEPERS, BLOCKING, FURRING, STRIPPING, AND SIMILAR CONCEALED MEMBERS IN CONTACT WITH MASONRY OR CONCRETE. WOOD FRAMING MEMBERS LESS THAN 18 INCHES ABOVE GRADE. TREATED LUMBER IS NOT REQUIRED ABOVE TREATED BOTTOM PLATE FOR FRAMING WHICH IS BEARING ON CONCRETE FLOOR SLAB ON GRADE AND FOR WOOD FLOOR PLATES INSTALLED ON CONCRETE SLABS. IF CUT AFTER TREATMENT, COAT CUT SURFACES TO COMPLY WITH AWP4 M4.

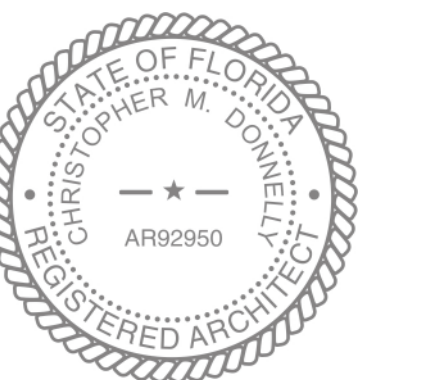
100% CONSTRUCTION DOCUMENTS

BUILDING SECTIONS  
**A0.25**

Donnelly Project #22087

**SOLOMON FAMILY  
RESIDENCE RENOVATIONS**  
*Fort White, Florida*

PROJECT LOCATION:  
SOLOMON RESIDENCE  
862 SW BLUFF DRIVE  
FORT WHITE, FLORIDA 32038  
FLORIDA ARCHITECT AR 92950

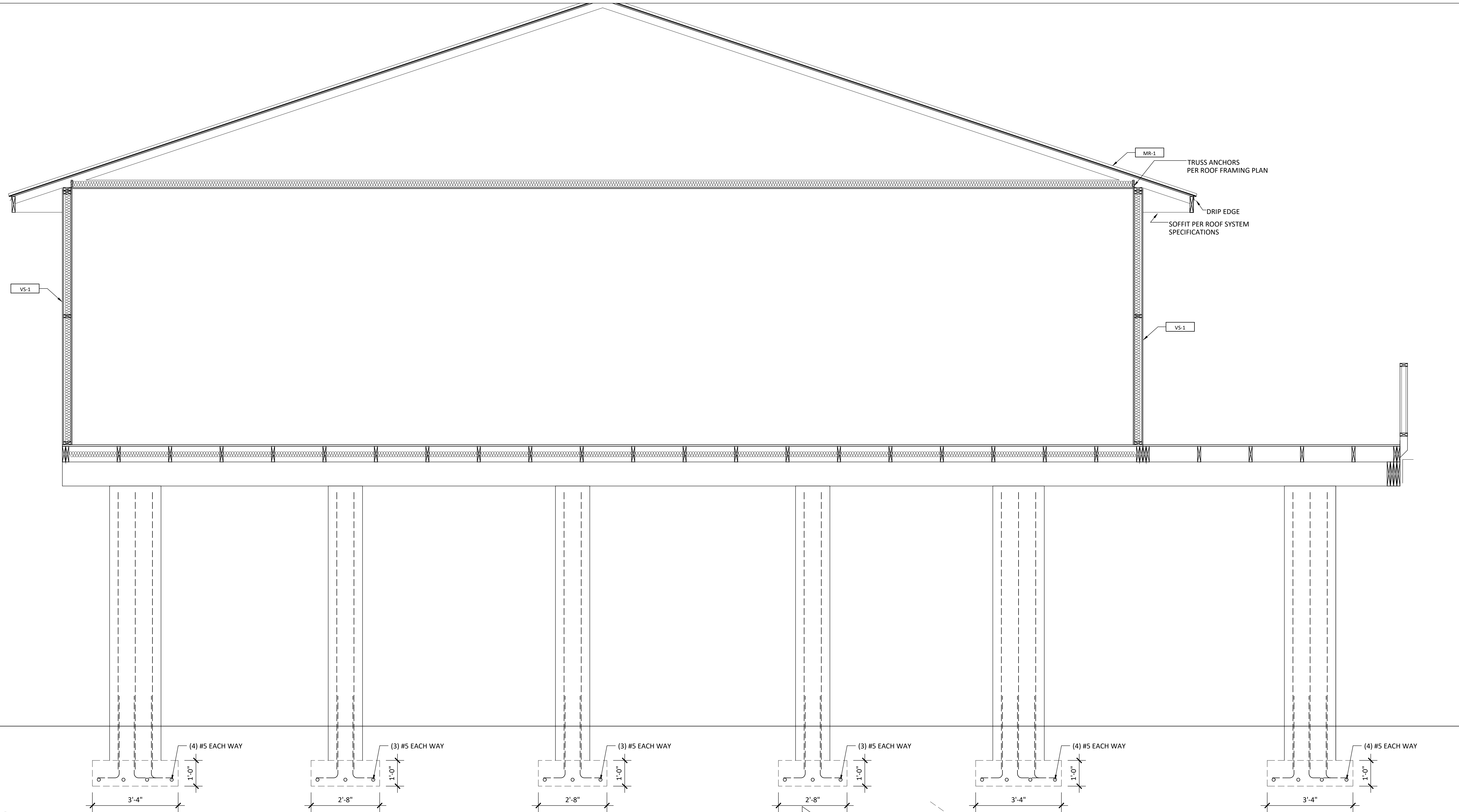


MAY 5, 2023

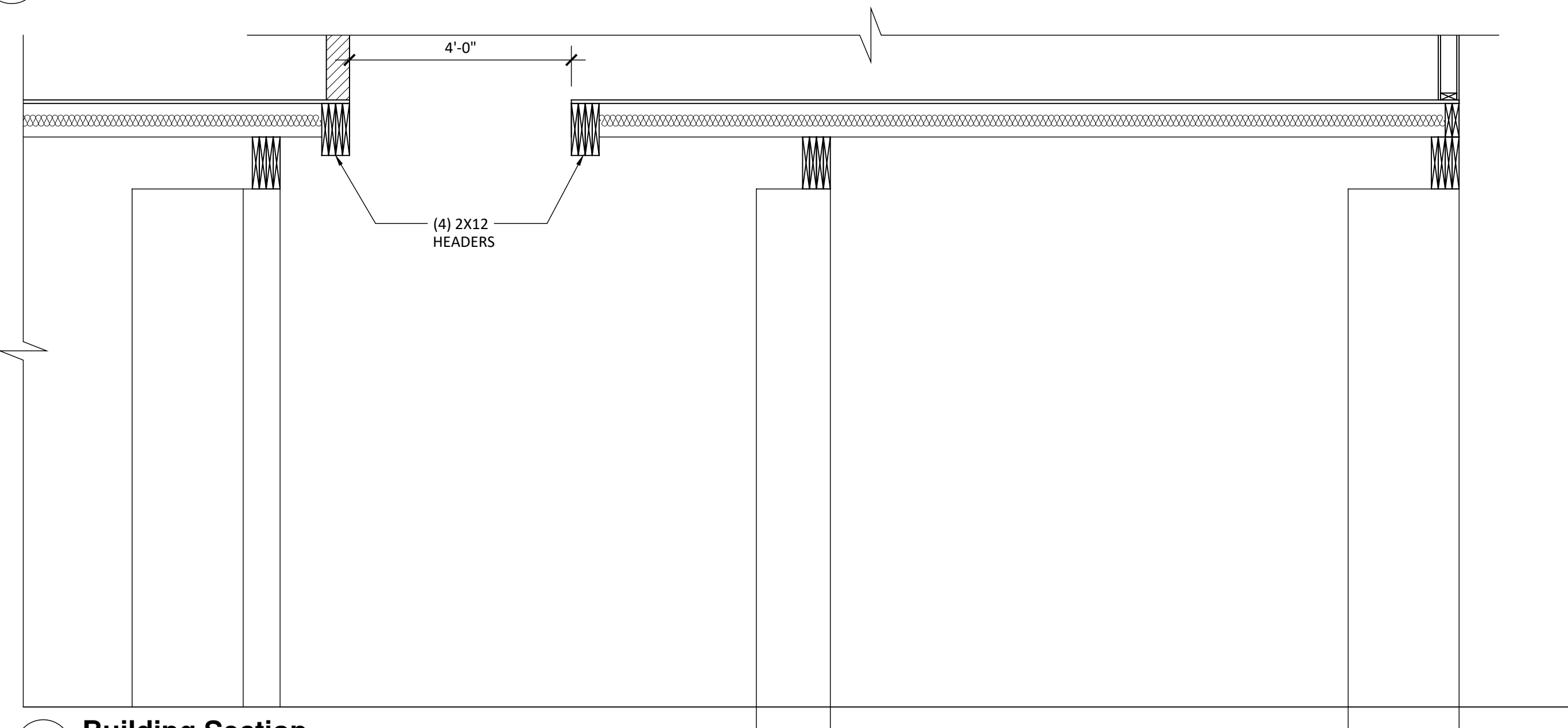
100% CONSTRUCTION  
DOCUMENTS

BUILDING  
SECTIONS

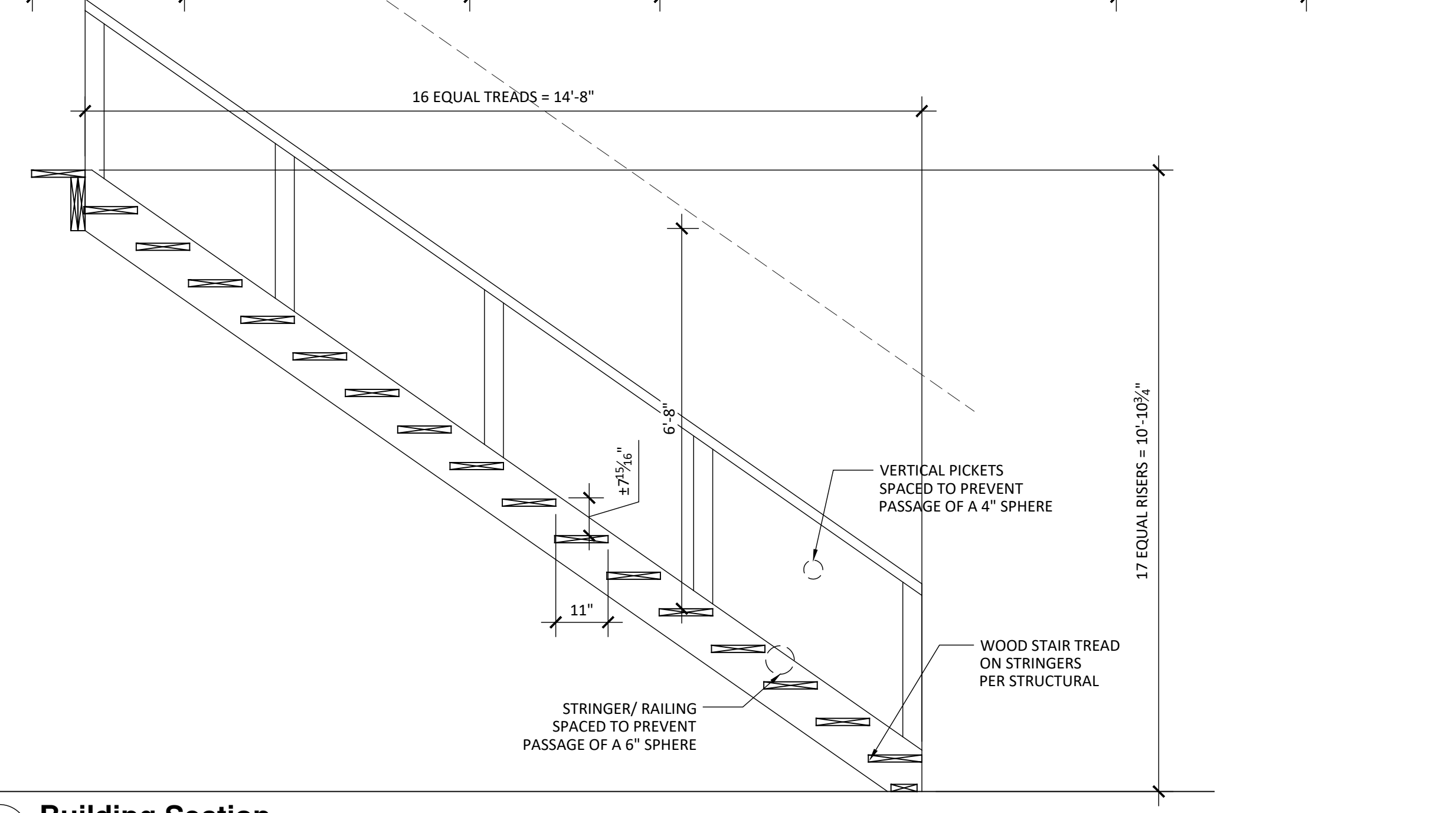
**A0.26**



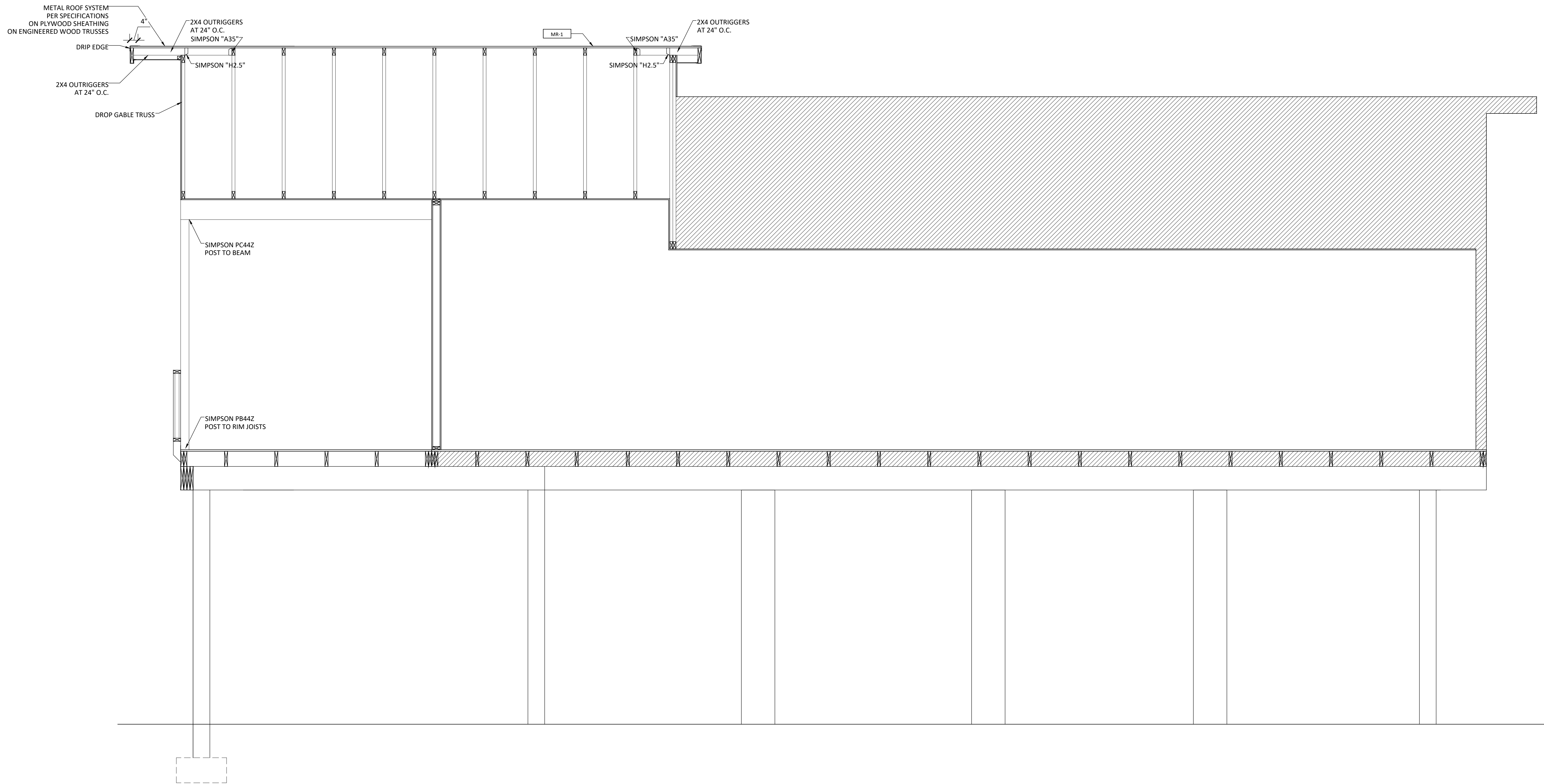
**1 Building Section**  
Scale: 1/2" = 1'-0"



**2 Building Section**  
Scale: 1/2" = 1'-0"



**3 Building Section**  
Scale: 1/2" = 1'-0"



**1 Building Section**  
Scale: 1/2" = 1'-0"

**SOLOMON FAMILY  
RESIDENCE RENOVATIONS**  
*Fort White, Florida*

PROJECT LOCATION:  
SOLOMON RESIDENCE  
862 SW BLUFF DRIVE  
FORT WHITE, FLORIDA 32038  
FLORIDA ARCHITECT AR 92950



MAY 5, 2023

100% CONSTRUCTION DOCUMENTS

BUILDING SECTIONS

**A0.27**

**SOLOMON FAMILY  
RESIDENCE RENOVATIONS**  
Fort White, Florida

PROJECT LOCATION:  
SOLOMON RESIDENCE  
862 SW BLUFF DRIVE  
FORT WHITE, FLORIDA 32038  
FLORIDA ARCHITECT AR 92950

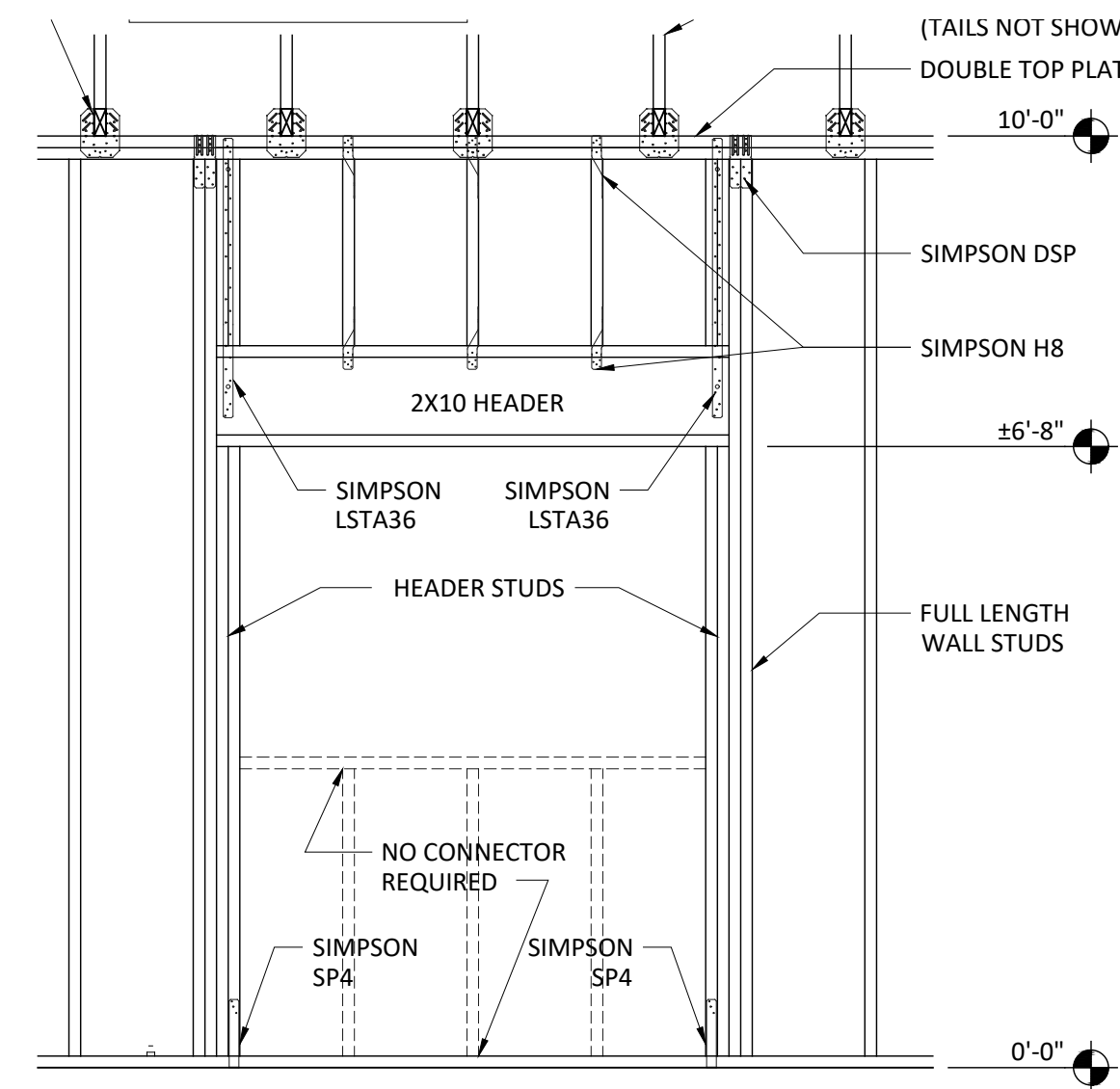


MAY 5, 2023

100% CONSTRUCTION  
DOCUMENTS

EXTERIOR OPENING  
DETAILS

**A0.35**

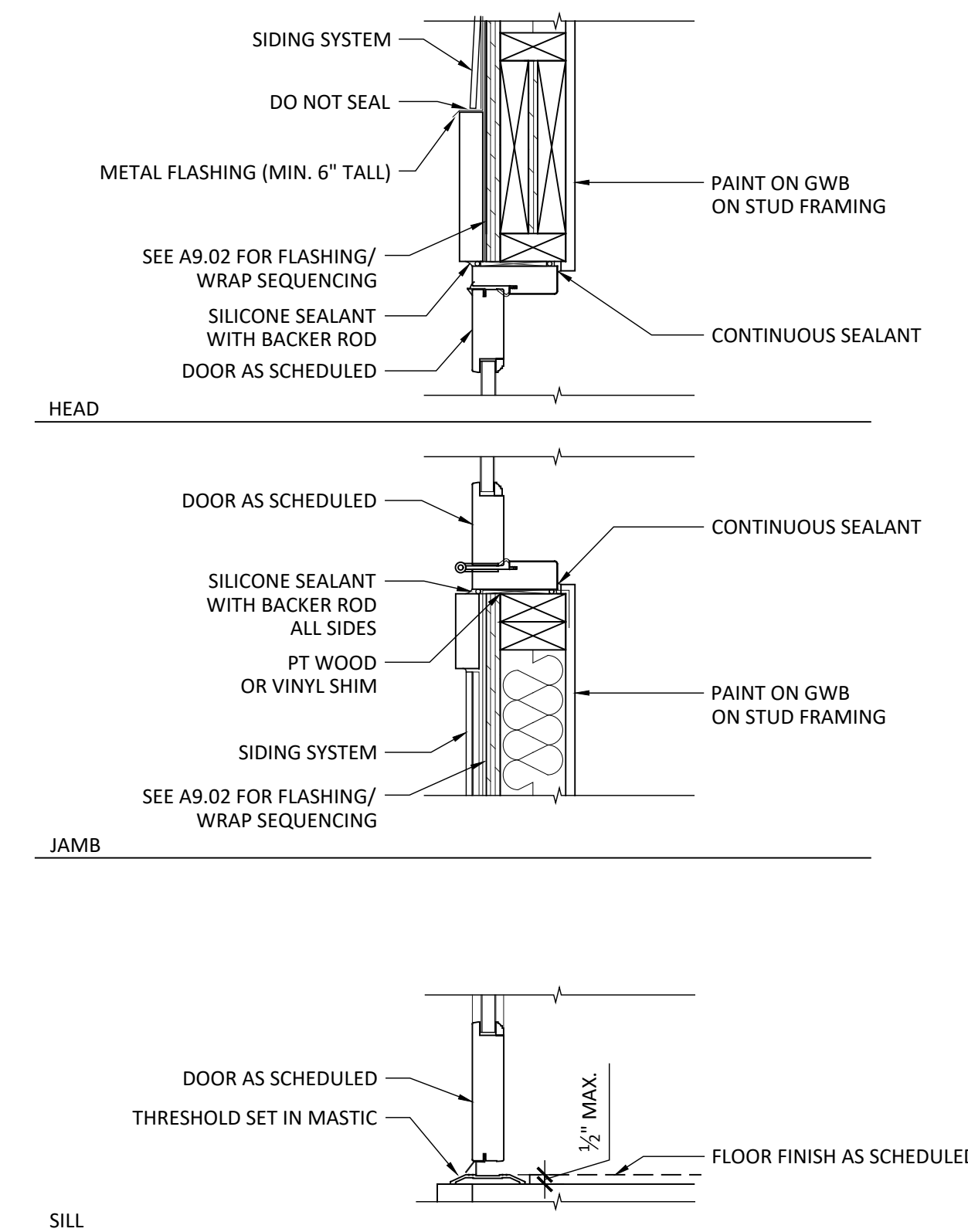


NOTES:  
1. CONNECTORS INDICATED ARE BY SIMPSON STRONG TIE CO., INC. PRE-APPROVED EQUAL MAY BE USED.  
2. REFER TO HEADER HOLD DOWN CHART FOR NUMBER OF FULL-LENGTH AND HEADER STUDS REQUIRED FOR DIFFERENT OPENING WIDTHS.

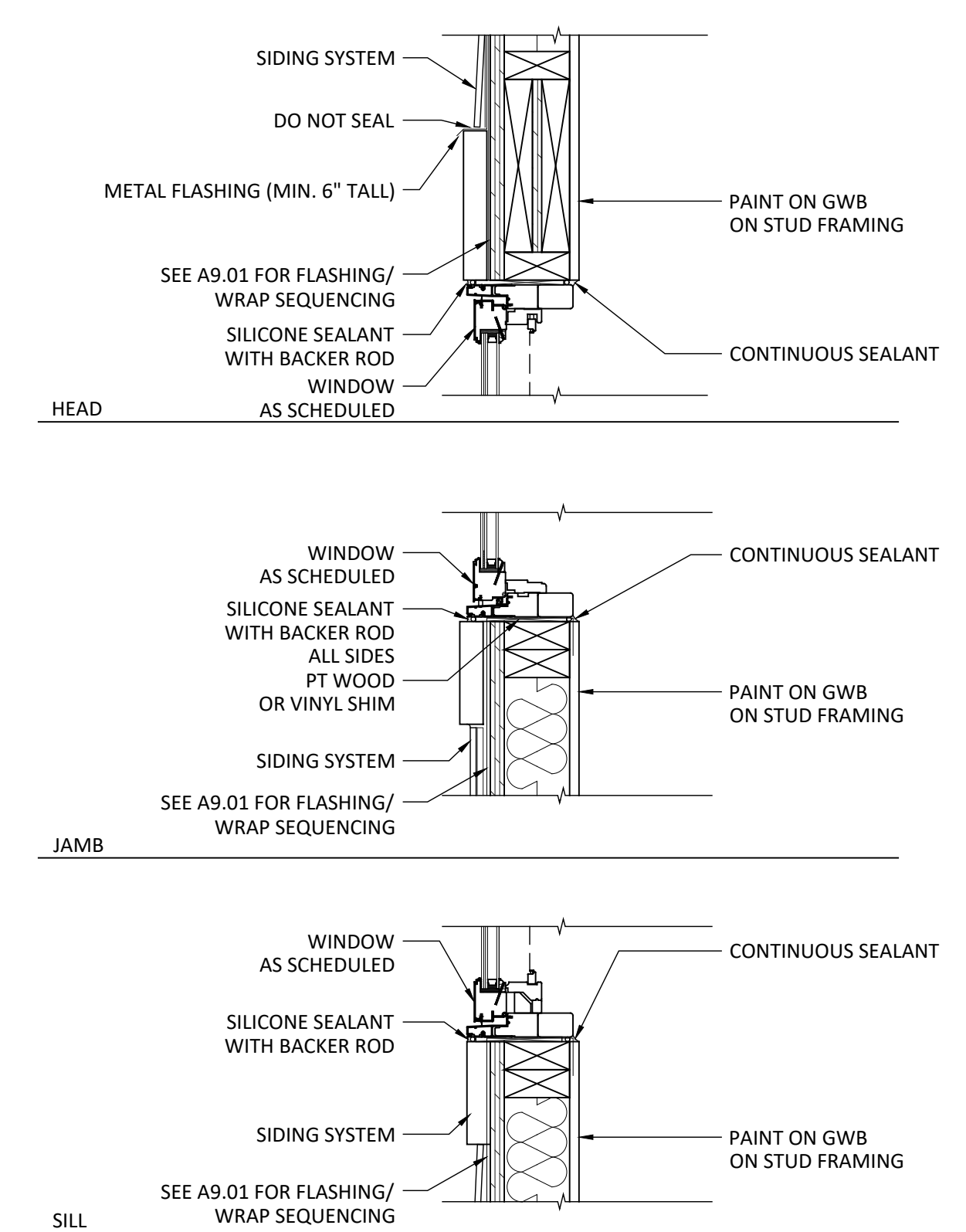
**HEADER HOLD DOWNS**

UNSUPPORTED WALL HEIGHT	STUD SPACING	MAXIMUM HEADER SPAN (FT.)	
		3	6
		NUMBER OF HEADER STUDS SUPPORTING END OF HEADER	
10'-0" OR LESS	16 IN.	1	1
		NUMBER OF FULL-LENGTH STUDS AT EACH END OF HEADER	
		2	2

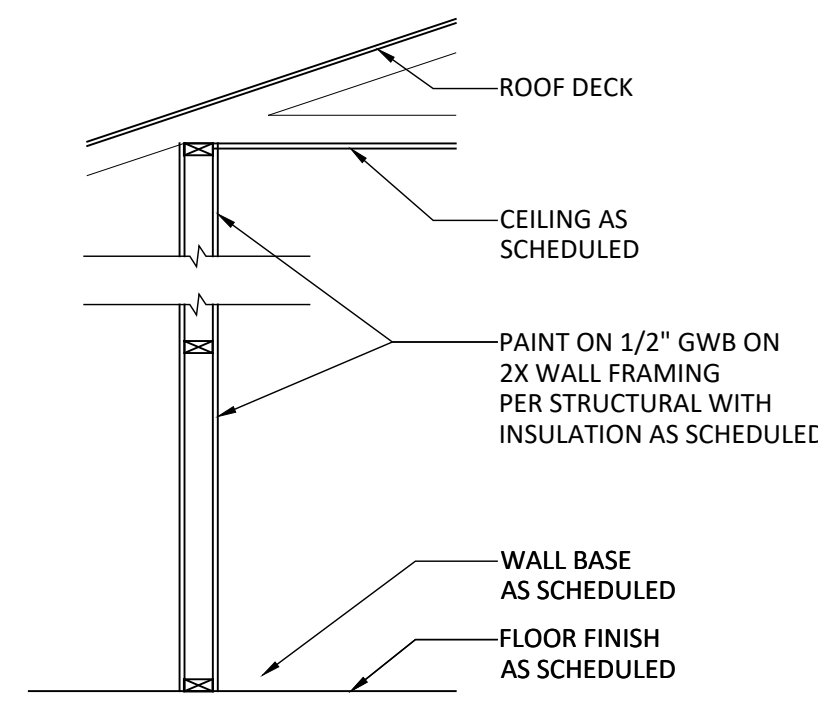
**A Opening Framing Detail**  
Scale: 1/2" = 1'-0"



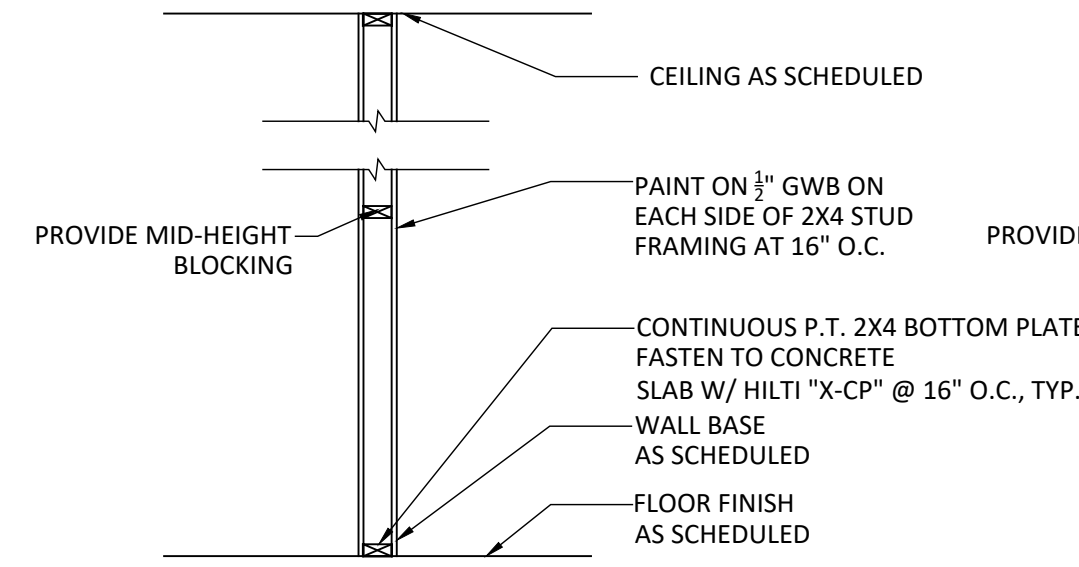
**1 Exterior Opening Detail - Pre-Hung Door**  
Scale: 1-1/2" = 1'-0"



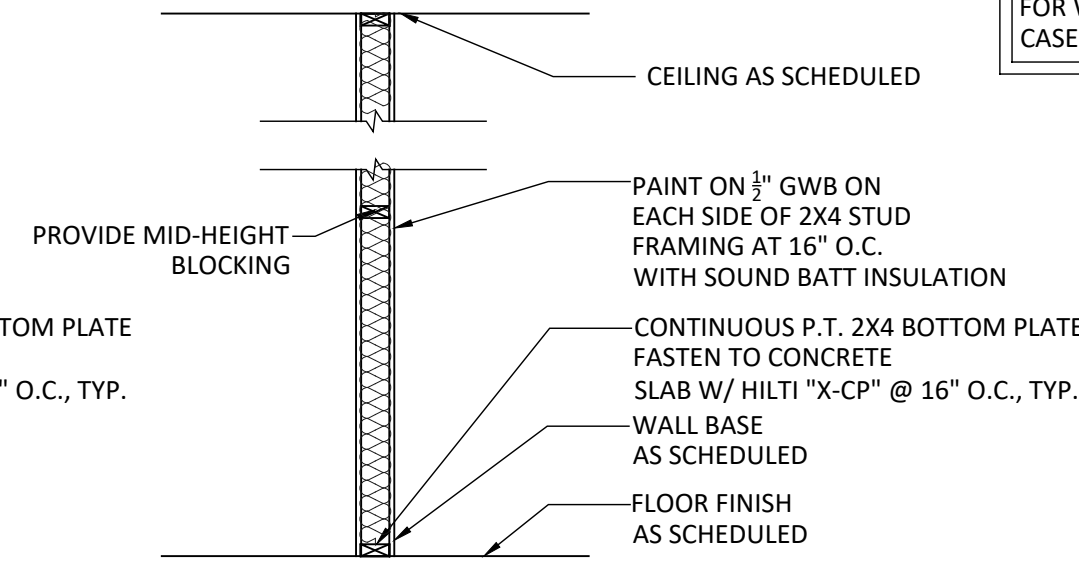
**2 Exterior Opening Detail - Vinyl Window**  
Scale: 1-1/2" = 1'-0"



**1 Wall Section**  
Scale: 1/2" = 1'-0"



**2 Wall Section**  
Scale: 1/2" = 1'-0"



**3 Wall Section**  
Scale: 1/2" = 1'-0"

NOTE: PROVIDE 2X8 BLOCKING FOR WALL HUNG ACCESSORIES AND CASEWORK AS REQUIRED.

**INTERIOR WALL NOTES**

- NON-BEARING WOOD FRAMING:  
1. FOR NON-STRUCTURAL LIGHT FRAMING PROVIDE "STUD," OR "STANDARD" GRADE LUMBER FOR STUD FRAMING (2 TO 4 INCHES THICK, 2 TO 4 INCHES WIDE, 10 FEET AND SHORTER) AND "STANDARD" GRADE FOR OTHER LIGHT FRAMING (2 TO 4 INCHES THICK, 2 TO 6 INCHES WIDE).
- INTERIOR FINISHES:  
1. SEE INTERIOR FINISHES SPECIFICATIONS.
- SOUND BATT INSULATION:  
1. PROVIDE SOUND BATT UNFACED R-11 INSULATION.

**FASTENER NOTES**

- GYPSUM BOARD ATTACHMENT:  
1. NAILS OR SCREWS IN ACCORDANCE WITH THE GYPSUM ASSOCIATION HANDBOOK AT 8" O.C. PANEL EDGES AND 12" O.C. FIELD.  
2. 1/2" GYPSUM CEILING: 8D AT 6" O.C. EDGES (GLUE & NAIL) AT 12" O.C. FIELD

**GYPSUM ASSEMBLIES NOTES**

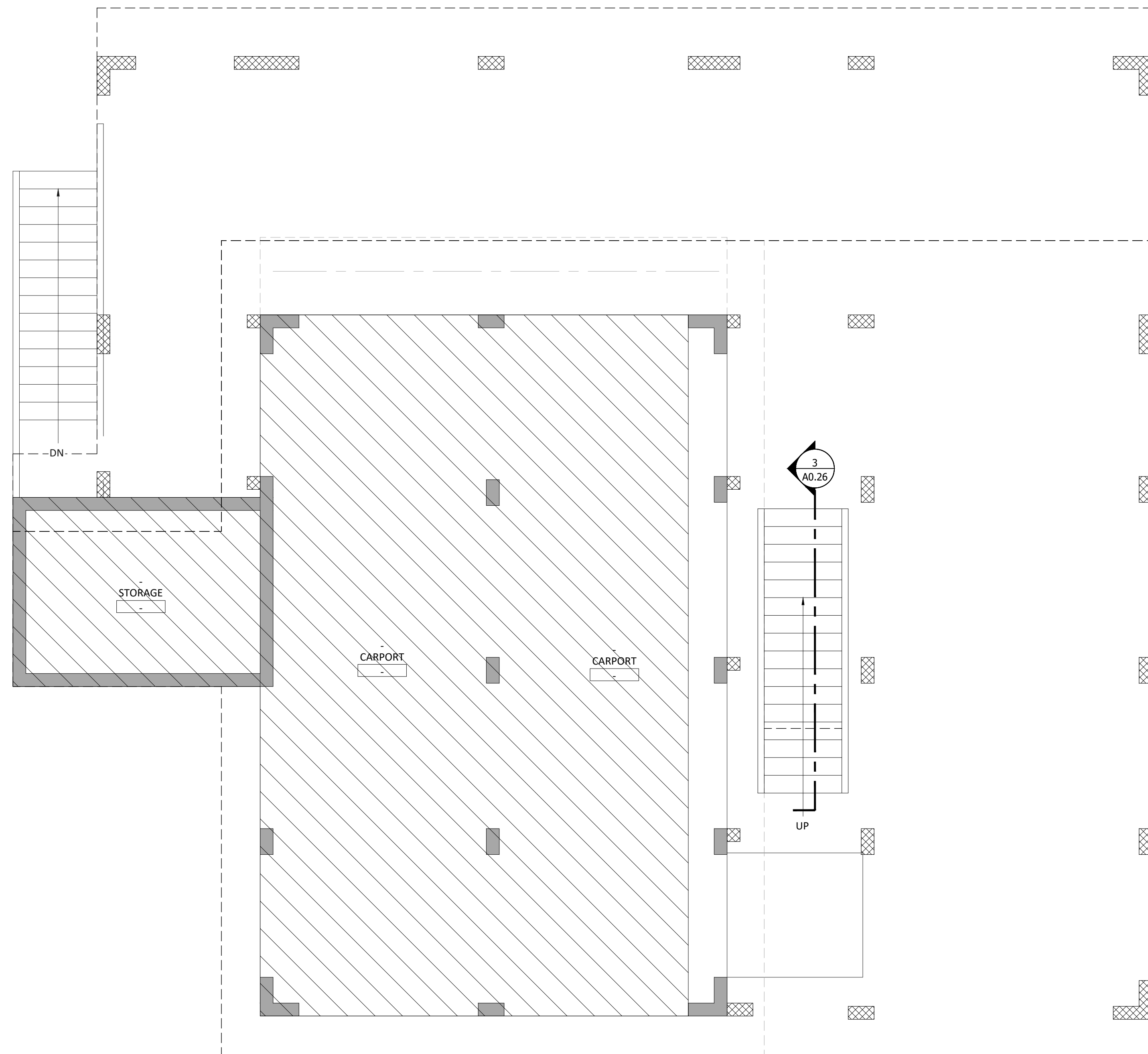
- PROVIDE GYPSUM FINISH LEVEL IN COMPLIANCE WITH GA 214:  
LEVEL 1: AT ABOVE CEILING AND CONCEALED AREAS EXCEPT WHERE HIGHER LEVEL OF FINISH IS REQUIRED FOR FIRE RATING  
LEVEL 2: GYPSUM SUBSTRATE AT TILE  
LEVEL 3: AT AREAS OF TEXTURED FINISHES AND HEAVY DUTY WALL COVERINGS  
LEVEL 4: AT ALL AREAS UNLESS NOTED OTHERWISE ABOVE

**FLOOR PLAN WALL LEGEND:**

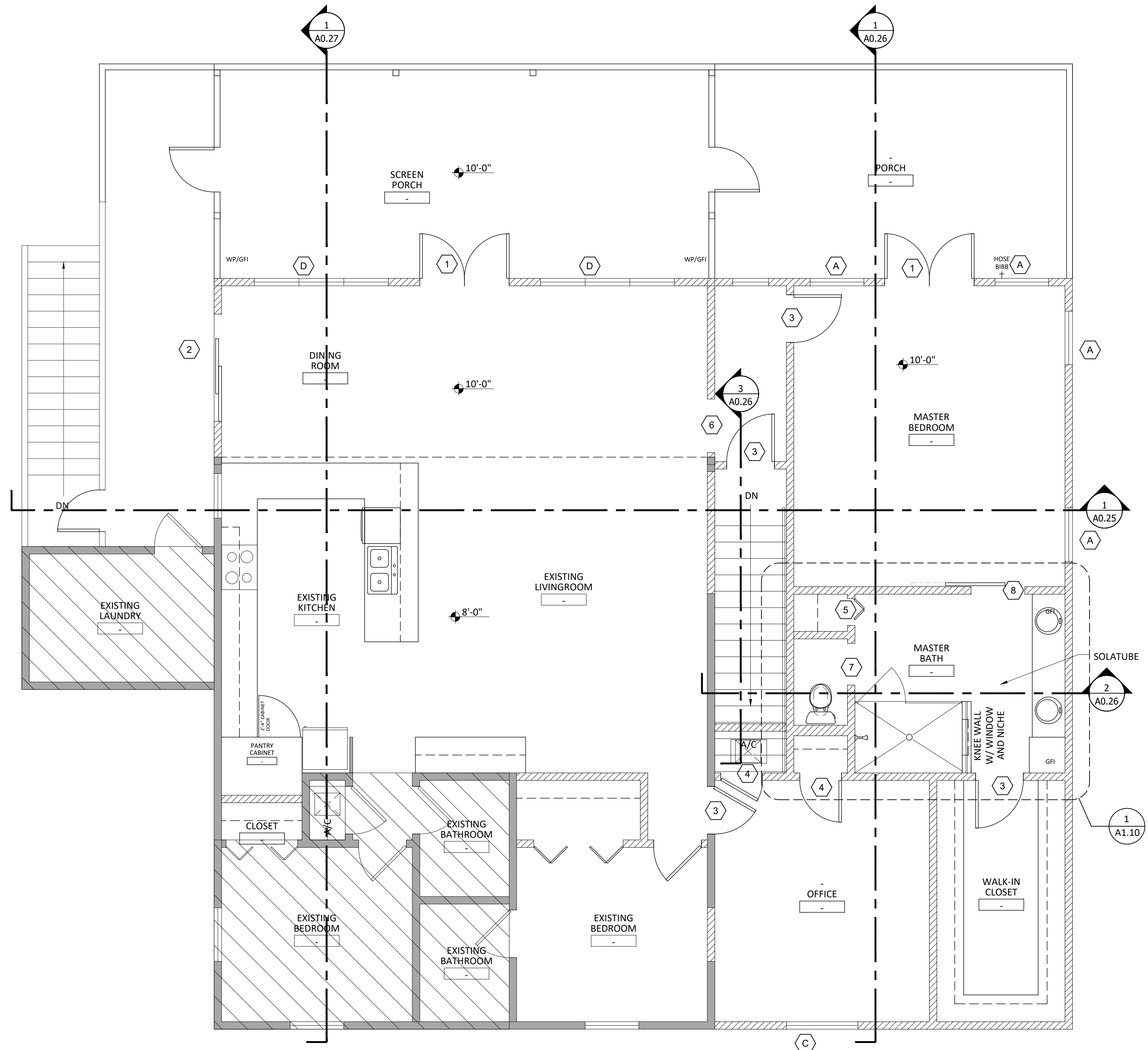
- HATCHED AREAS NOT INCLUDED IN THE SCOPE OF ARCHITECTURAL WORK
- EXISTING CONSTRUCTION
- EXISTING RATED WALL PER UL U419
- 8" CMU WITH GWB ON FURRING (SEE A0.25 AND A4.10)
- GWB ON STUD FRAMING AT 16" O.C. (SEE A4.10)
- GWB ON STUD FRAMING AT 16" O.C. WITH R-11 UNFACED BATT INSULATION (SEE A4.10)

**FLOOR PLAN LEGEND:**

- WALL TYPE, SEE SHEET A4.10
- OPENING TYPE, SEE SHEET A3.00



**1 First Floor Plan**  
Scale: 1/4" = 1'-0"



**2 Second Floor Plan**  
Scale: 1/4" = 1'-0"

**SOLOMON FAMILY  
RESIDENCE RENOVATIONS**  
*Fort White, Florida*

PROJECT LOCATION:  
SOLOMON RESIDENCE  
862 SW BLUFF DRIVE  
FORT WHITE, FLORIDA 32038  
FLORIDA ARCHITECT AR 92950



MAY 5, 2023

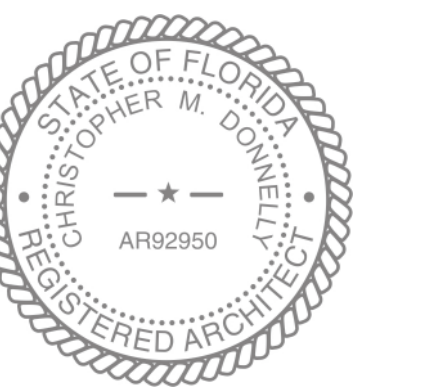
100% CONSTRUCTION DOCUMENTS

FLOOR PLAN AND NOTES

**A1.01**

**SOLOMON FAMILY  
RESIDENCE RENOVATIONS**  
*Fort White, Florida*

PROJECT LOCATION:  
SOLOMON RESIDENCE  
862 SW BLUFF DRIVE  
FORT WHITE, FLORIDA 32038  
FLORIDA ARCHITECT AR 92950

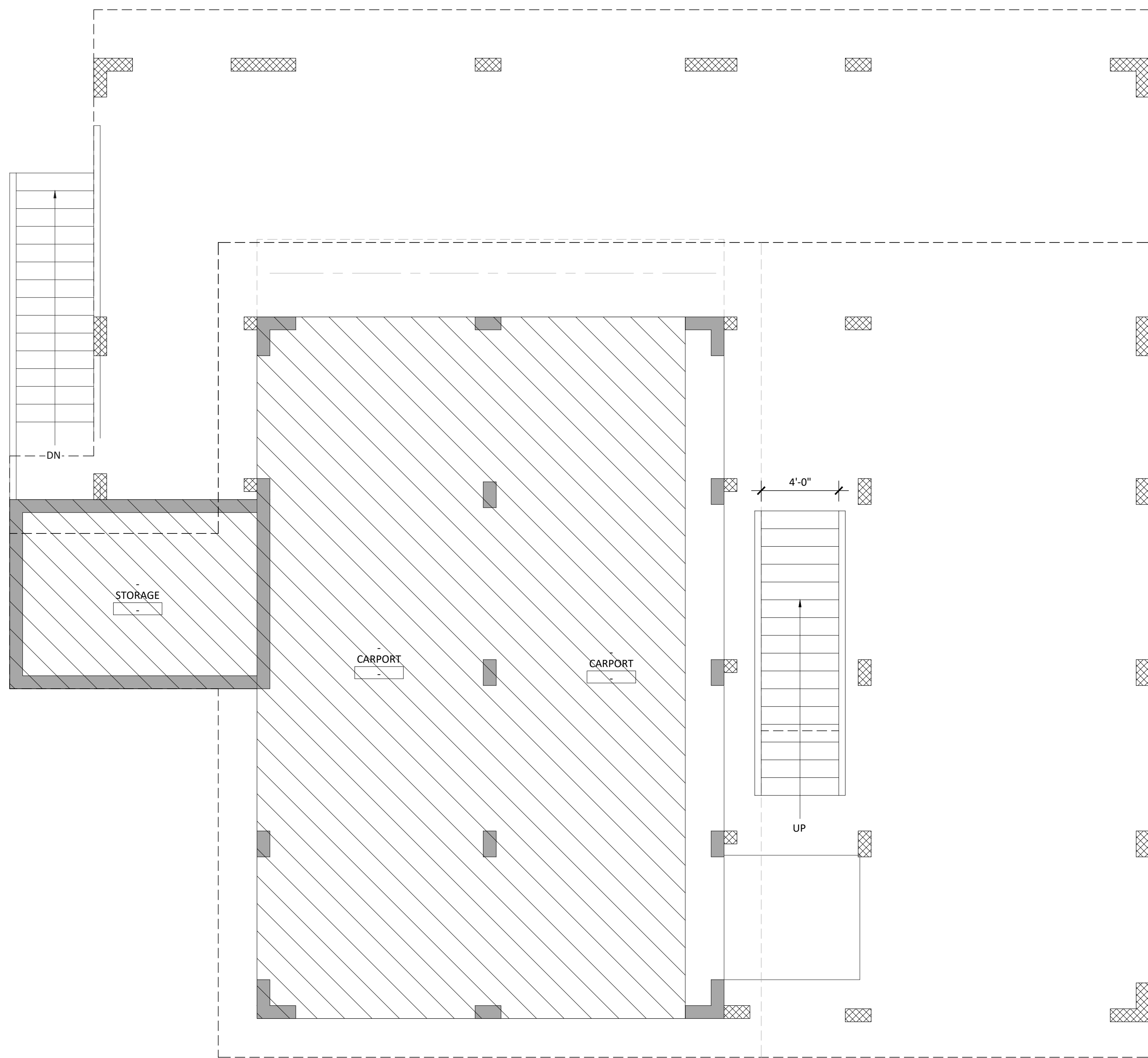


MAY 5, 2023

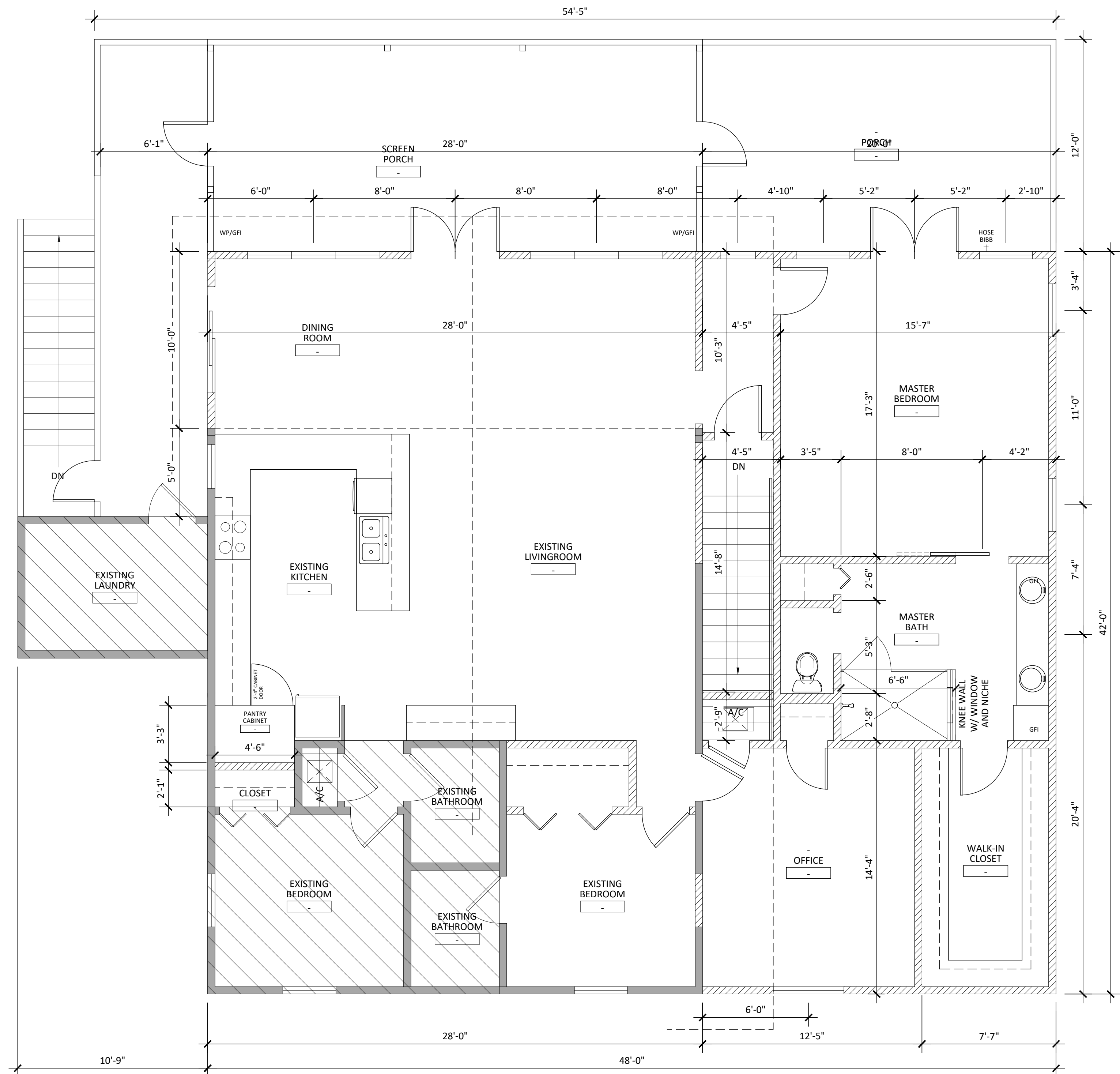
100% CONSTRUCTION  
DOCUMENTS

DIMENSION FLOOR  
PLAN AND NOTES

**A1.05**



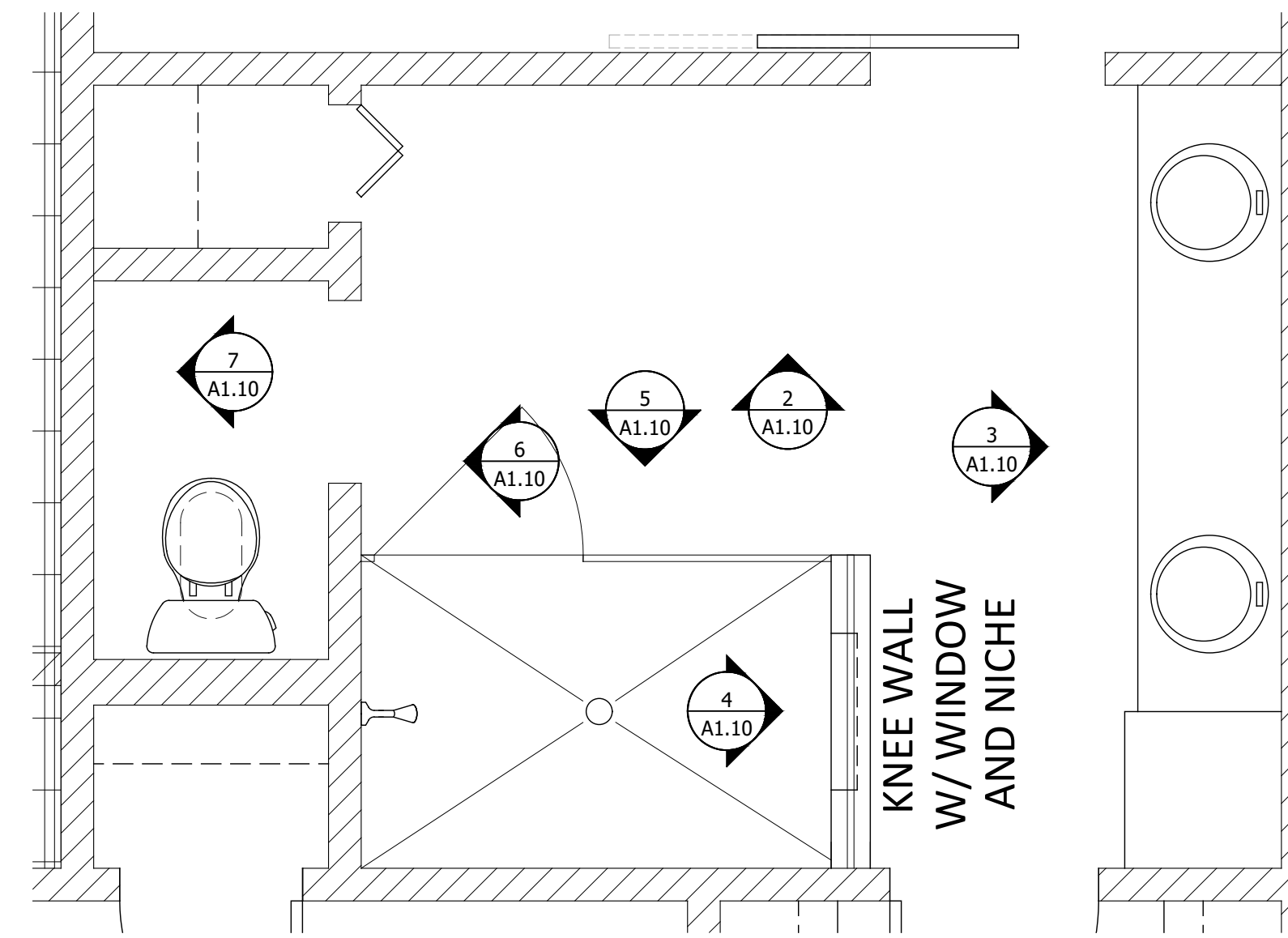
**1 Dimension 1st Floor Plan**  
Scale: 1/4" = 1'-0"



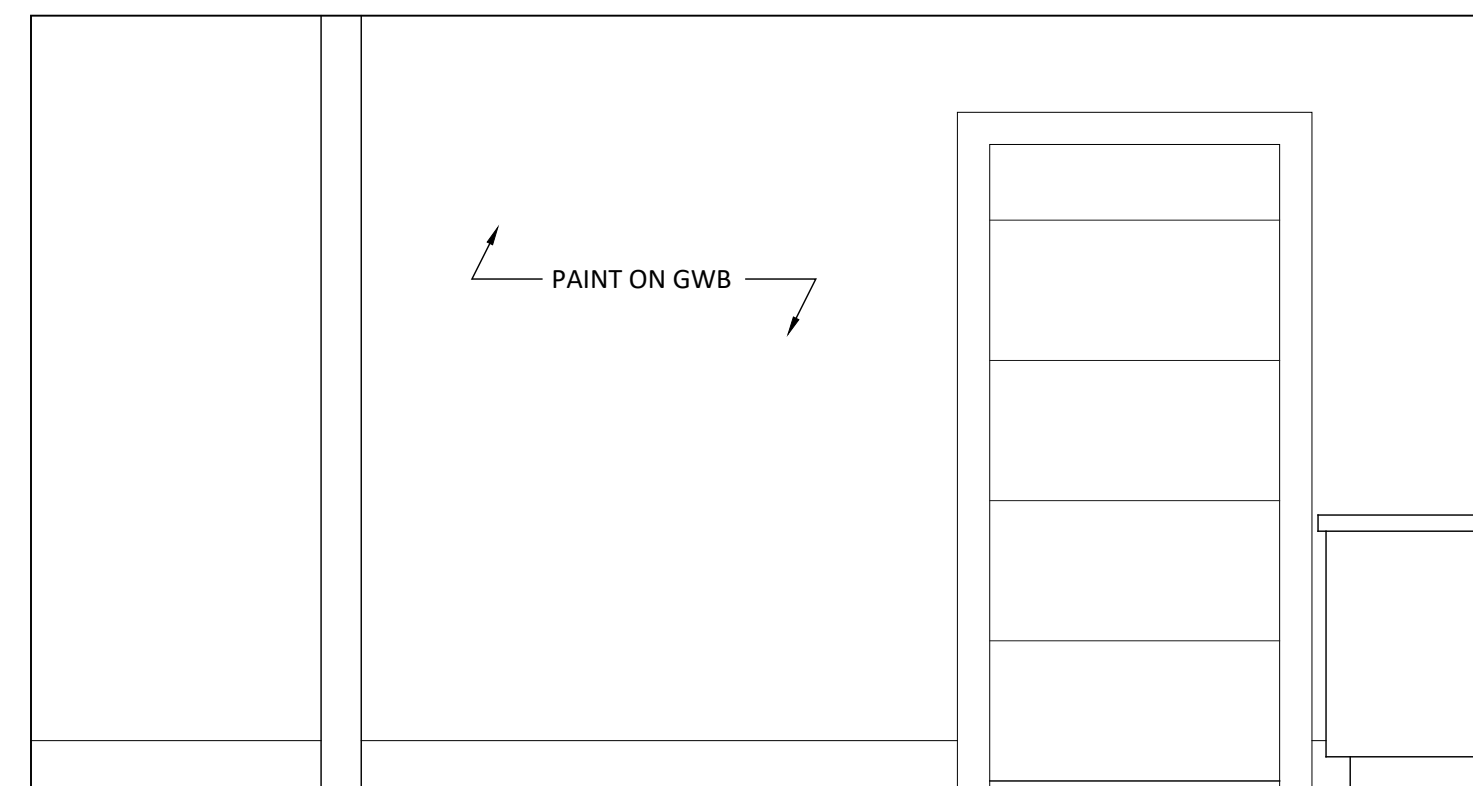
**1 Dimension 2nd Floor Plan**  
Scale: 1/4" = 1'-0"

RESIDENTIAL TOILET ACCESSORIES		
#	DESCRIPTION	SPEC. MANUFACTURER/ NOTES
A	TOILET PAPER DISPENSER	- BY OWNER
B	GRAB BAR - 36"	B-6101-36 BOBRICK
C	GRAB BAR - 42"	B-6101-42 BOBRICK
D	TOWEL BAR	- BY OWNER
E	MIRROR	- BY OWNER
F	MEDICINE CABINET	K-CB-CLR1620FS KOHLER
G	SHOWER PAN/SURROUND	SERIES 7233 STERLING
H	SHOWER PAN/SURROUND	ADA SERIES 6207 STERLING
J	ROBE HOOK	- BY OWNER
K	TOWEL RING	- BY OWNER
L	GRAB BAR - 18"	B-6806 x 18 BOBRICK (UFAS UNITS ONLY)
M	GRAB BAR - 24"	B-6806 x 24 BOBRICK (UFAS UNITS ONLY)
N	GRAB BAR - 48"	B-6806 x 48 BOBRICK (UFAS UNITS ONLY)

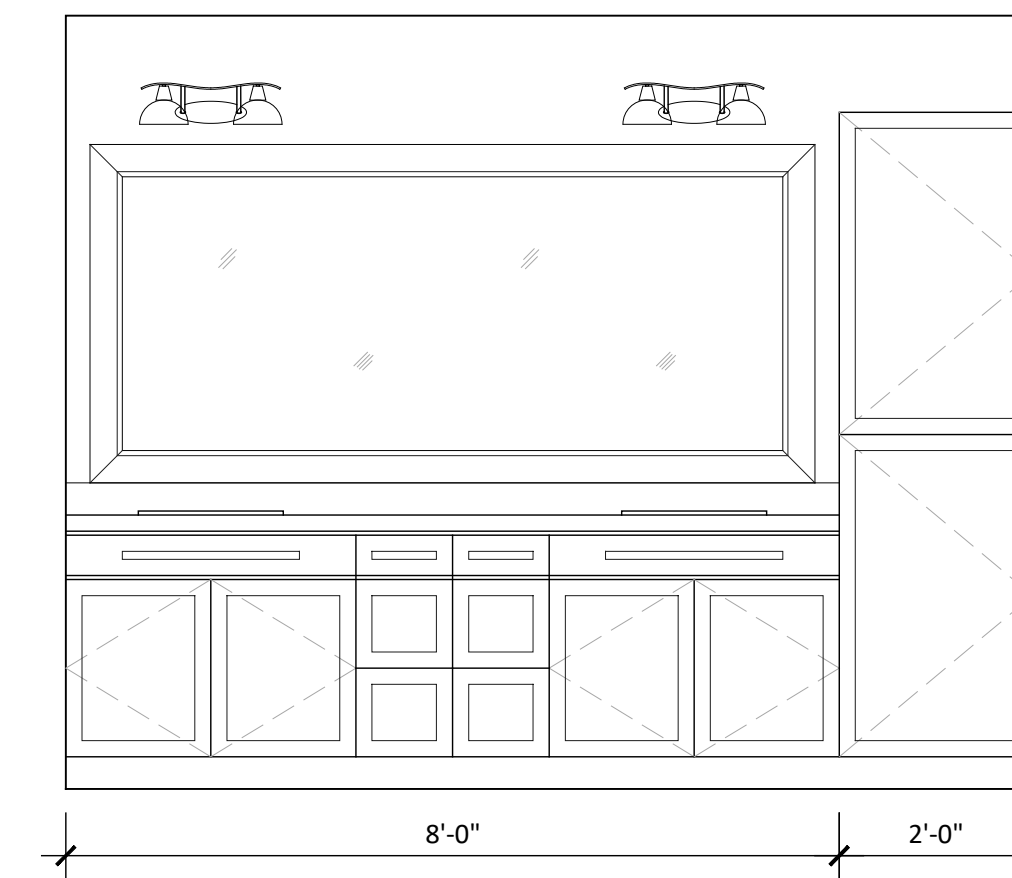
- NOTES:
1. MOUNT ALL TOILET ROOM ACCESSORIES IN COMPLIANCE WITH FLORIDA BUILDING CODE, ACCESSIBILITY.
  2. CONTRACTOR MAY PROVIDE OWNER/ ARCHITECT APPROVED EQUAL FOR ANY ITEM SCHEDULED ABOVE.
  3. PROVIDE SOFT-CLOSE TOILET SEAT FOR ALL WATER CLOSETS.
  4. FLUSH CONTROLS SHALL BE LOCATED ON THE OPEN SIDE OF THE WATER CLOSET COMPARTMENT.



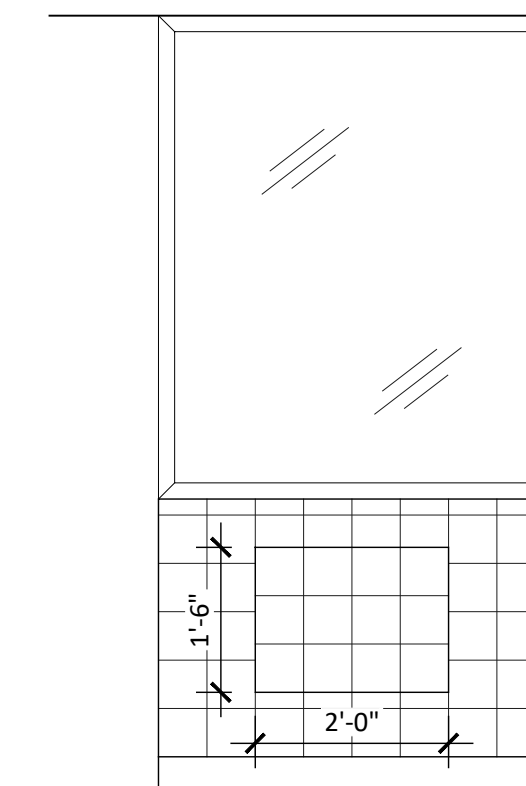
**1 Enlarged Floor Plan**  
Scale: 1/2" = 1'-0"



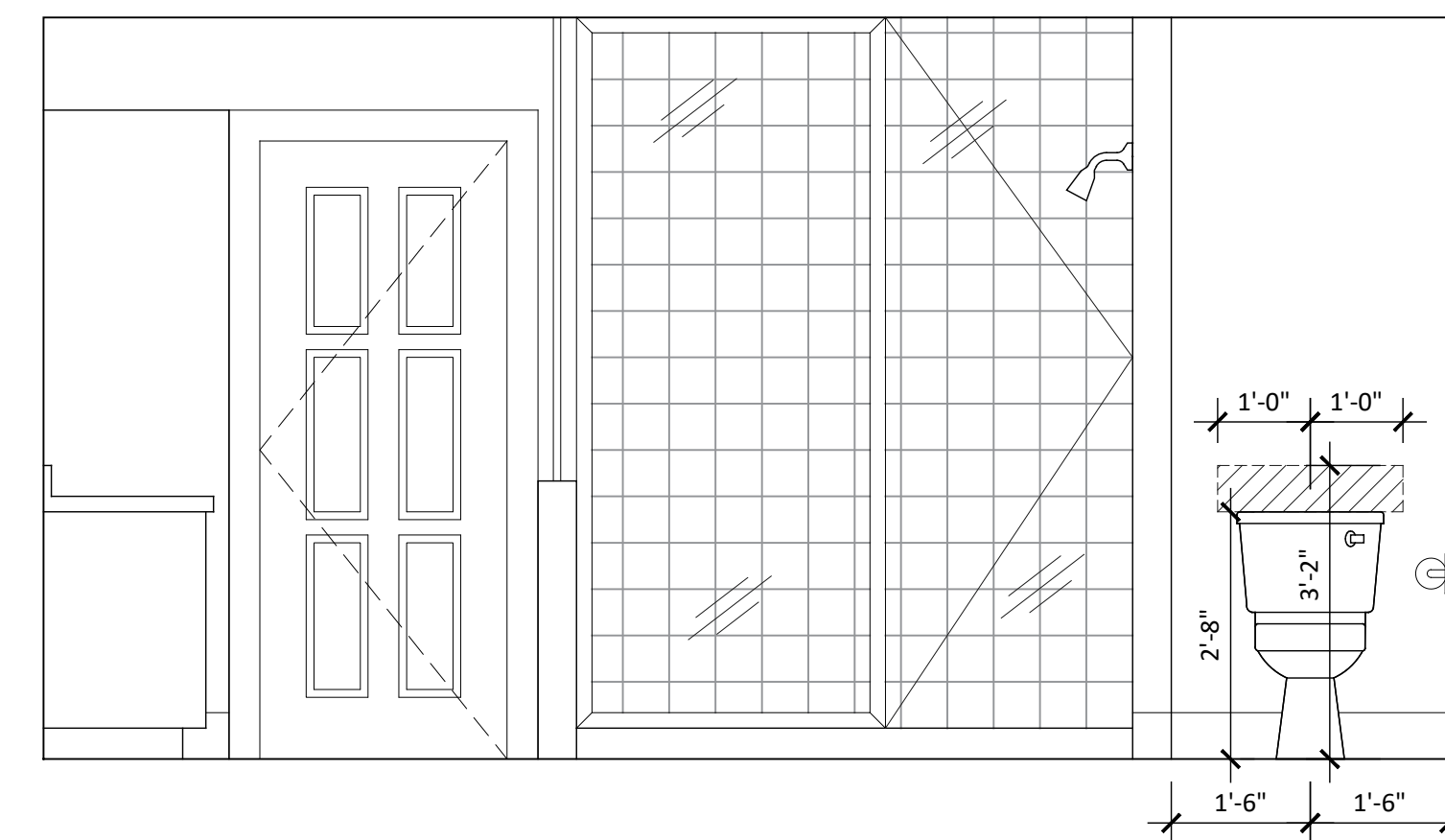
**2 Interior Elevation**  
Scale: 1/2" = 1'-0"



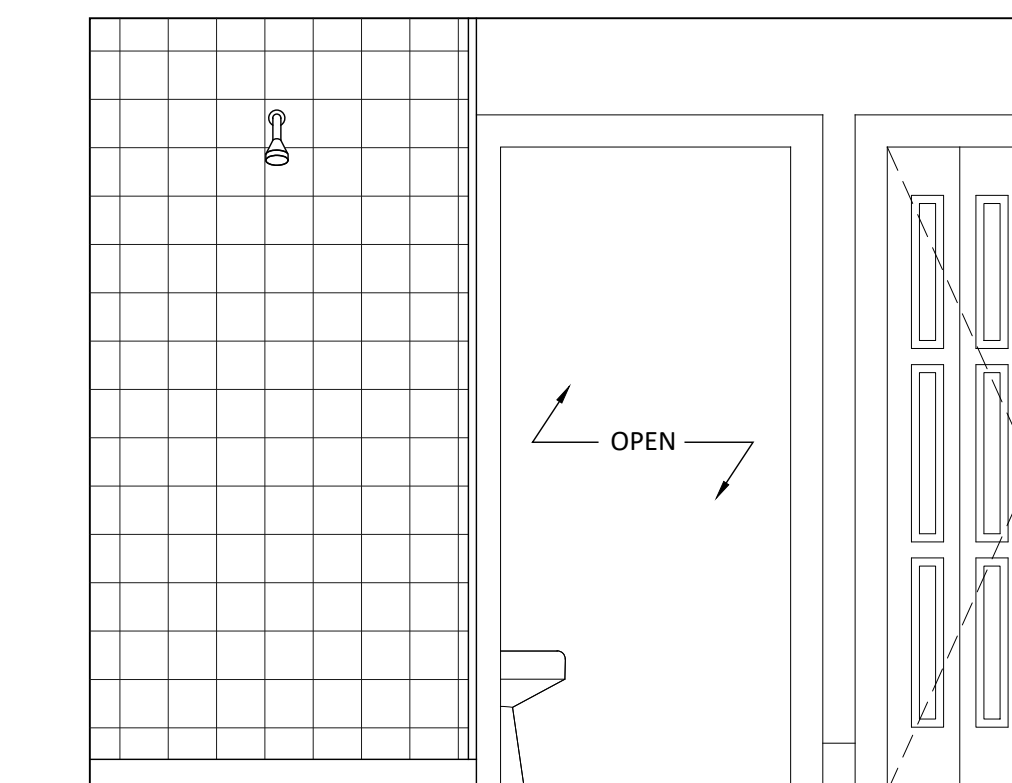
**3 Interior Elevation**  
Scale: 1/2" = 1'-0"



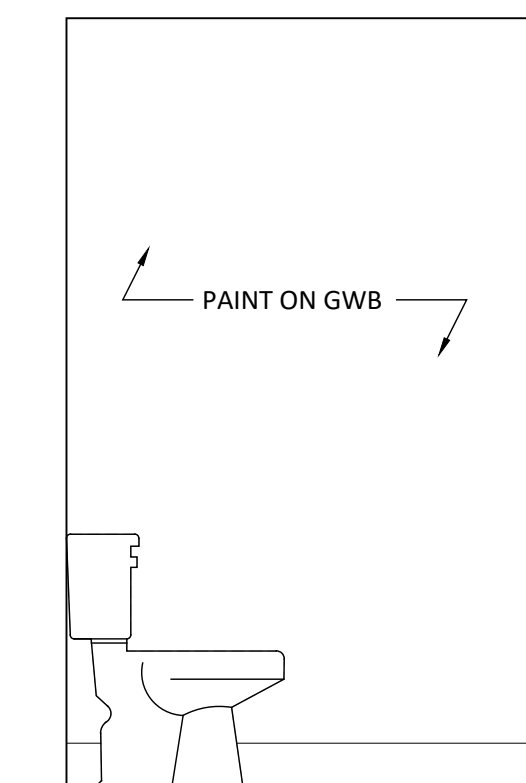
**4 Interior Elevation**  
Scale: 1/2" = 1'-0"



**5 Interior Elevation**  
Scale: 1/2" = 1'-0"



**6 Interior Elevation**  
Scale: 1/2" = 1'-0"



**7 Interior Elevation**  
Scale: 1/2" = 1'-0"

**SOLOMON FAMILY  
RESIDENCE RENOVATIONS**  
*Fort White, Florida*

PROJECT LOCATION:  
SOLOMON RESIDENCE  
862 SW BLUFF DRIVE  
FORT WHITE, FLORIDA 32038  
FLORIDA ARCHITECT AR 92950



MAY 5, 2023

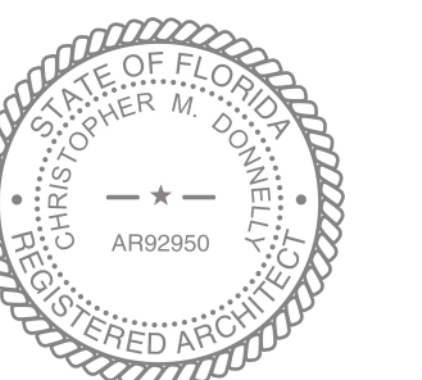
100% CONSTRUCTION  
DOCUMENTS

ENLARGED FLOOR  
PLANS AND NOTES

**A1.10**

**SOLOMON FAMILY  
RESIDENCE RENOVATIONS**  
*Fort White, Florida*

PROJECT LOCATION:  
SOLOMON RESIDENCE  
862 SW BLUFF DRIVE  
FORT WHITE, FLORIDA 32038  
FLORIDA ARCHITECT AR 92950



MAY 5, 2023

100% CONSTRUCTION  
DOCUMENTS

REFLECTED CEILING  
PLAN AND NOTES

**A1.21**

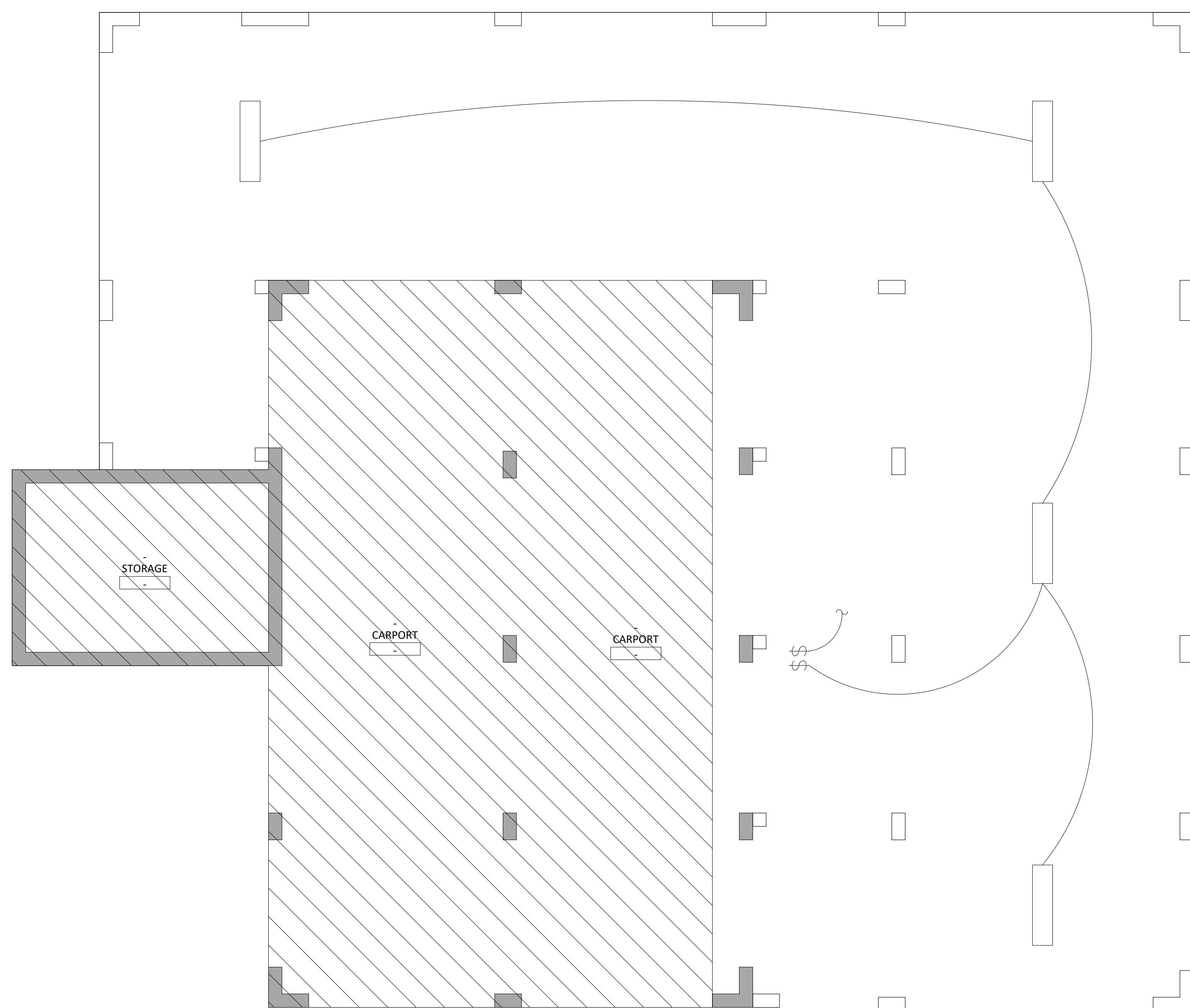
**REFLECTED CEILING PLAN LEGEND:**

GB-1	SOFFIT PER ROOF SYSTEM SPECIFICATIONS	CEMENTITIOUS BEAD BOARD CEILING
PENDANT MOUNTED FIXTURE	DECORATIVE PENDANT MOUNTED FIXTURE	2' LIGHT FIXTURE WALL MOUNT ABOVE DOOR OR UNDER CABINET
FLOOD LIGHT	SUPPLY GRILLE	RECESSED CAN LIGHT FIXTURE
RETURN GRILLE	ATTIC ACCESS	WALL MOUNTED LIGHT FIXTURE
ELECTRICAL METER AND DISCONNECT	ELECTRICAL PANEL	CEILING MOUNTED LIGHT FIXTURE
		EXHAUST FAN
		CEILING FAN
		SMOKE DETECTOR

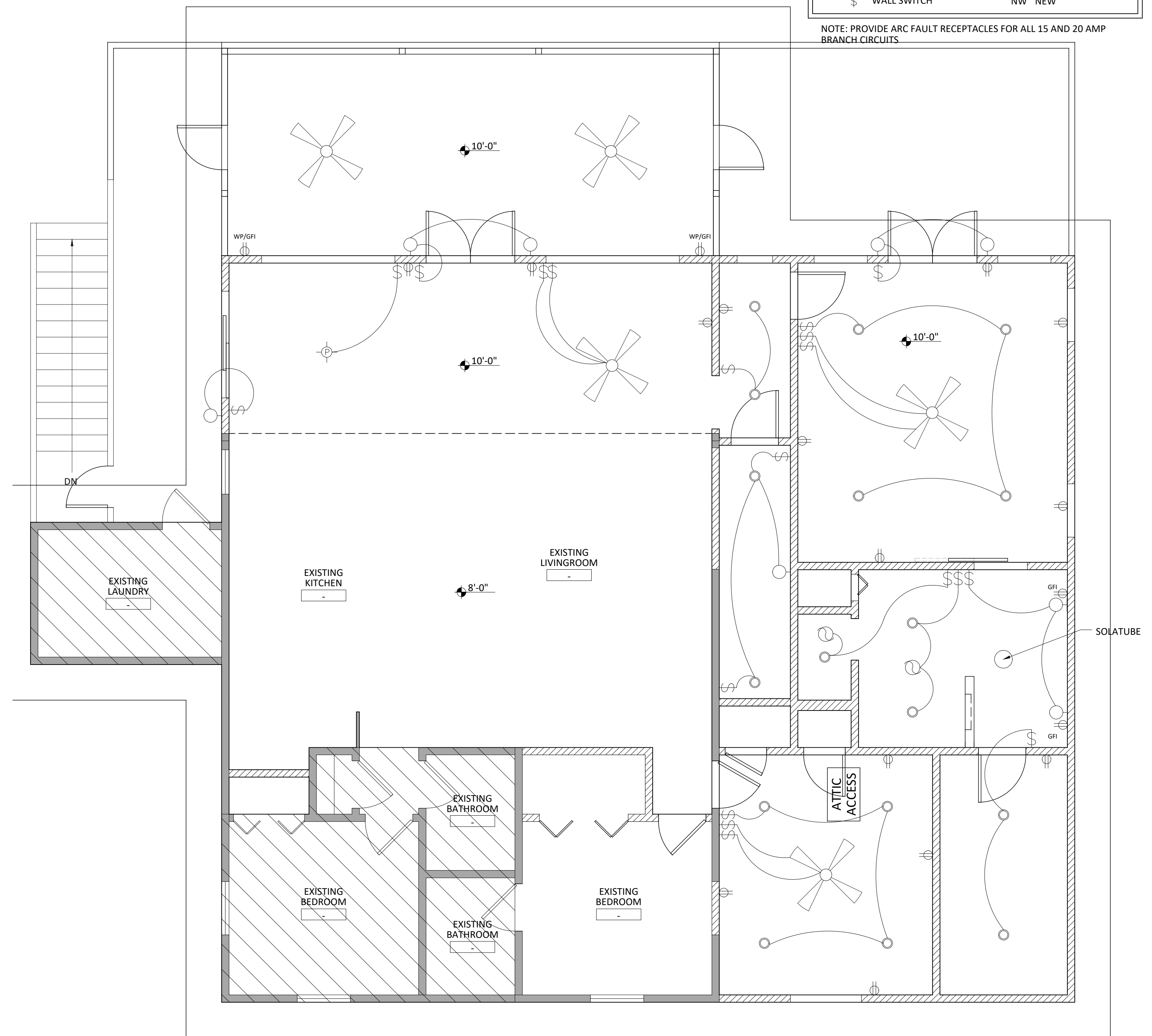
**POWER/ SYSTEMS PLAN LEGEND:**

DUPLEX OUTLET	EX EXISTING
GFI GROUND FAULT INTERRUPTED OUTLET	DM DEMO
WALL SWITCH	RE RELOCATE
	NW NEW

NOTE: PROVIDE ARC FAULT RECEPTACLES FOR ALL 15 AND 20 AMP BRANCH CIRCUITS.



**1 Reflected 1st Ceiling Plan**  
Scale: 1/4" = 1'-0"



**1 Reflected 2nd Ceiling Plan**  
Scale: 1/4" = 1'-0"



**EXTERIOR OPENING PERFORMANCE TESTING:**

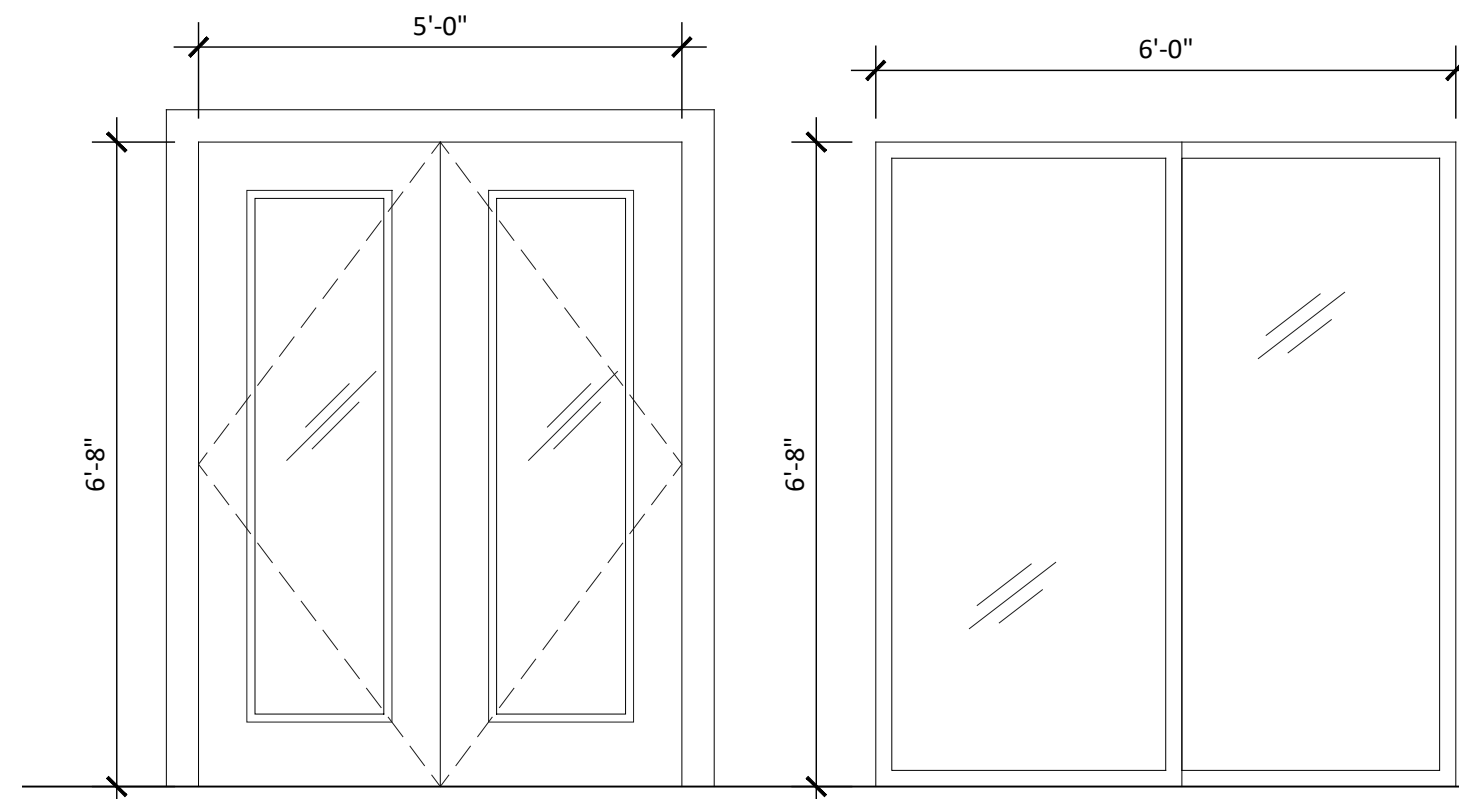
- AFTER WINDOW AND WEATHER PROOFING INSTALLATION, PERFORM AIR INFILTRATION (ASTM E 283-91), WATER PENETRATION (ASTM E 331-00 & AAMA 501.1-94), AND STRUCTURAL PERFORMANCE TESTING (STM E 330-97) ON RANDOM SAMPLE OF (5) OF EACH EXTERIOR OPENING TYPE. IF ANY OPENING TYPE DOES NOT PASS TESTING, CORRECT DEFICIENCIES AND PERFORM TESTING AN ADDITIONAL (5) RANDOM OPENINGS OF THAT TYPE. REPEAT AS NECESSARY.
- PERFORM TESTING AS NOTED:
  - PRELOAD @ 50% D.P. (DESIGN WIND PRESSURE)
  - AIR INFILTRATION
  - STATIC WATER RESISTANCE
  - DYNAMIC WATER RESISTANCE
  - STRUCTURAL PERFORMANCE @ 1.5 D.P.
  - STRUCTURAL PERFORMANCE @ 1.5 D.P.
- PROVIDE WRITTEN REPORT OF FIELD TESTING METHODS AND RESULTS TO ARCHITECT.

**EXTERIOR OPENING NOTES:**

- VINYL WINDOWS SHALL BE EQUAL TO PGT 5400, OR APPROVED EQUAL INSTALLED PER FL#1435.4 WITH A U-FACTOR OF 0.30 AND A SOLAR HEAT GAIN COEFFICIENT OF 0.25.
  - PRE-HUNG EXTERIOR FIBERGLASS DOORS SHALL BE EQUAL TO THERMA-TRU SMOOTH STAR OR CLASSIC CRAFT SERIES INSTALLED PER FL#5891 (SINGLE DOOR) OR FL#7347 (DOUBLE DOOR). (U-VALUE 0.30, SHGC 0.28 MIN.)
- \* NOTE: PROVIDE LABEL AT EACH EXTERIOR OPENING LISTING MANUFACTURER, MODEL, PRODUCT APPROVAL NUMBER, AND U-FACTOR

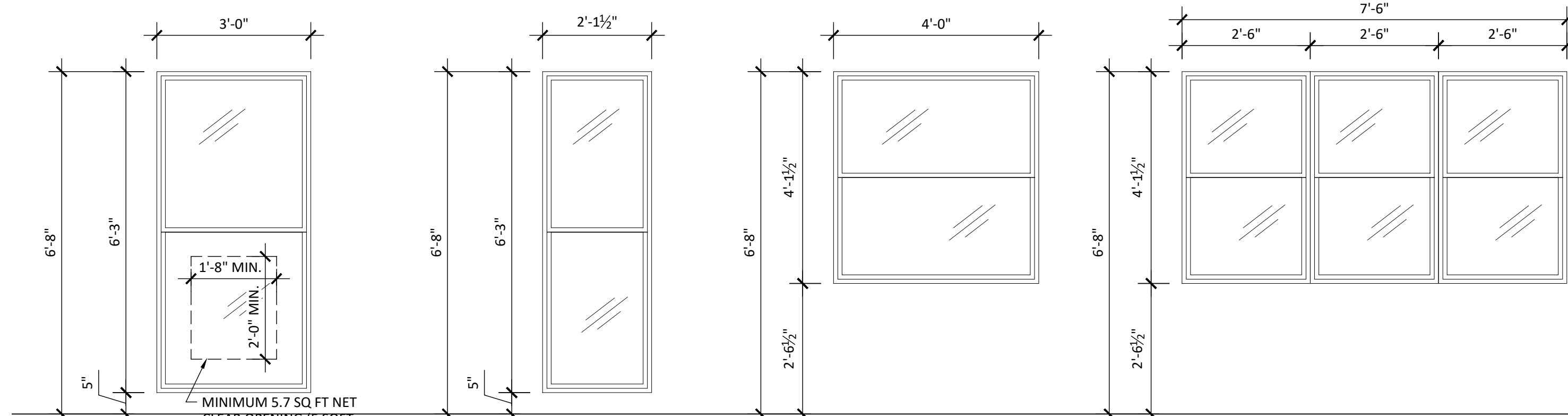
**NOTES:**

- GLASS SHALL BE TEMPERED IN LOCATIONS REQUIRED BY FLORIDA BUILDING CODE SECTION 2406.4:
- GLAZING IN DOORS: GLAZING IN ALL FIXED AND OPERABLE PANELS OF SWINGING, SLIDING, AND BIFOLD DOORS SHALL BE CONSIDERED A HAZARDOUS LOCATION. EXCEPTIONS: DECORATIVE GLAZING; GLAZED OPENINGS OF A SIZE THROUGH WHICH A 3-INCH-DIAMETER (76 MM) SPHERE IS UNABLE TO PASS.
  - GLAZING ADJACENT TO DOORS: GLAZING IN AN INDIVIDUAL FIXED OR OPERABLE PANEL ADJACENT TO A DOOR WHERE THE NEAREST VERTICAL EDGE OF THE GLAZING IS WITHIN A 24-INCH (610 MM) ARC OF EITHER VERTICAL EDGE OF THE DOOR IN A CLOSED POSITION AND WHERE THE BOTTOM EXPOSED EDGE OF THE GLAZING IS LESS THAN 60 INCHES (1524 MM) ABOVE THE WALKING SURFACE SHALL BE CONSIDERED A HAZARDOUS LOCATION. EXCEPTIONS: DECORATIVE GLAZING; WHERE THERE IS AN INTERVENING WALL OR OTHER PERMANENT BARRIER BETWEEN THE DOOR AND GLAZING; WHERE ACCESS THROUGH THE DOOR IS TO A CLOSET OR STORAGE AREA 3 FEET (914 MM) OR LESS IN DEPTH; GLAZING IN THIS APPLICATION SHALL COMPLY WITH SECTION 2406.4.3; GLAZING IN WALLS ON THE LATCH SIDE OF AND PERPENDICULAR TO THE PLANE OF THE DOOR IN A CLOSED POSITION IN ONE- AND TWO-FAMILY DWELLINGS OR WITHIN DWELLING UNITS IN GROUP R-2.
  - GLAZING IN WINDOWS: GLAZING IN AN INDIVIDUAL FIXED OR OPERABLE PANEL THAT MEETS ALL OF THE FOLLOWING CONDITIONS SHALL BE CONSIDERED A HAZARDOUS LOCATION: THE EXPOSED AREA OF AN INDIVIDUAL PANE IS GREATER THAN 9 SQUARE FEET (0.84 M<sup>2</sup>); THE BOTTOM EDGE OF THE GLAZING IS LESS THAN 18 INCHES (457 MM) ABOVE THE FLOOR; THE TOP EDGE OF THE GLAZING IS GREATER THAN 36 INCHES (914 MM) ABOVE THE FLOOR; AND ONE OR MORE WALKING SURFACE(S) ARE WITHIN 36 INCHES (914 MM), MEASURED HORIZONTALLY AND IN A STRAIGHT LINE, OF THE PLANE OF THE GLAZING. EXCEPTIONS: DECORATIVE GLAZING; WHERE A HORIZONTAL RAIL IS INSTALLED ON THE ACCESSIBLE SIDE(S) OF THE GLAZING 34 TO 38 INCHES (864 TO 965 MM) ABOVE THE WALKING SURFACE THE RAIL SHALL BE CAPABLE OF WITHSTANDING A HORIZONTAL LOAD OF 50 POUNDS PER LINEAR FOOT (730 N/M) WITHOUT CONTACTING THE GLASS AND BE A MINIMUM OF 1 1/2 INCHES (38 MM) IN CROSS-SECTIONAL HEIGHT; OUTBOARD PANES IN INSULATING GLASS UNITS OR MULTIPLE GLAZING WHERE THE BOTTOM EXPOSED EDGE OF THE GLASS IS 25 FEET (7620 MM) OR MORE ABOVE ANY GRADE, ROOF, WALKING SURFACE OR OTHER HORIZONTAL OR SLOPED (WITHIN 45 DEGREES OF HORIZONTAL) (0.78 RAD) SURFACE ADJACENT TO THE GLASS EXTERIOR.
  - GLAZING AND WET SURFACES: GLAZING IN WALLS, ENCLOSURES OR FENCES CONTAINING OR FACING HOT TUBS, SPAS, WHIRLPOOLS, SAUNAS, STEAM ROOMS, BATHTUBS, SHOWERS AND INDOOR OR OUTDOOR SWIMMING POOLS WHERE THE BOTTOM EXPOSED EDGE OF THE GLAZING IS LESS THAN 60 INCHES (1524 MM) MEASURED VERTICALLY ABOVE ANY STANDING OR WALKING SURFACE SHALL BE CONSIDERED A HAZARDOUS LOCATION. THIS SHALL APPLY TO SINGLE GLAZING AND ALL PANES IN MULTIPLE GLAZING. EXCEPTION: GLAZING THAT IS MORE THAN 60 INCHES (1524 MM), MEASURED HORIZONTALLY AND IN A STRAIGHT LINE, FROM THE WATER'S EDGE OF A BATHTUB, HOT TUB, SPA, WHIRLPOOL, OR SWIMMING POOL.
  - GLAZING ADJACENT TO STAIRS AND RAMPS: GLAZING WHERE THE BOTTOM EXPOSED EDGE OF THE GLAZING IS LESS THAN 60 INCHES (1524 MM) ABOVE THE PLANE OF THE ADJACENT WALKING SURFACE OF STAIRWAYS, LANDINGS BETWEEN FLIGHTS OF STAIRS, AND RAMPS SHALL BE CONSIDERED A HAZARDOUS LOCATION. EXCEPTIONS: THE SIDE OF A STAIRWAY, LANDING OR RAMP THAT HAS A GUARD COMPLYING WITH THE PROVISIONS OF SECTIONS 1013 AND 1607.8, AND THE PLANE OF THE GLASS IS GREATER THAN 18 INCHES (457 MM) FROM THE RAILING; GLAZING 36 INCHES (914 MM) OR MORE MEASURED HORIZONTALLY FROM THE WALKING SURFACE; GLAZING ADJACENT TO THE BOTTOM STAIR LANDING.
  - GLAZING ADJACENT TO THE LANDING AT THE BOTTOM OF A STAIRWAY WHERE THE GLAZING IS LESS THAN 36 INCHES (914 MM) ABOVE THE LANDING AND WITHIN 60 INCHES (1524 MM) HORIZONTALLY OF THE BOTTOM TREAD SHALL BE CONSIDERED A HAZARDOUS LOCATION. EXCEPTION: GLAZING THAT IS PROTECTED BY A GUARD COMPLYING WITH SECTIONS 1013 AND 1607.8 WHERE THE PLANE OF THE GLASS IS GREATER THAN 18 INCHES (457 MM) FROM THE GUARD.



**1** FULL-LITE FIBERGLASS DOOR IN ROT RESISTANT PRE-HUNG FRAME SEE 1/A0.35  
(TEMPERED WHERE REQUIRED BY FBC 2406.4)

**2** SLIDING PATIO DOOR (TEMPERED WHERE REQUIRED BY FBC 2406.4) SEE 3/A0.35



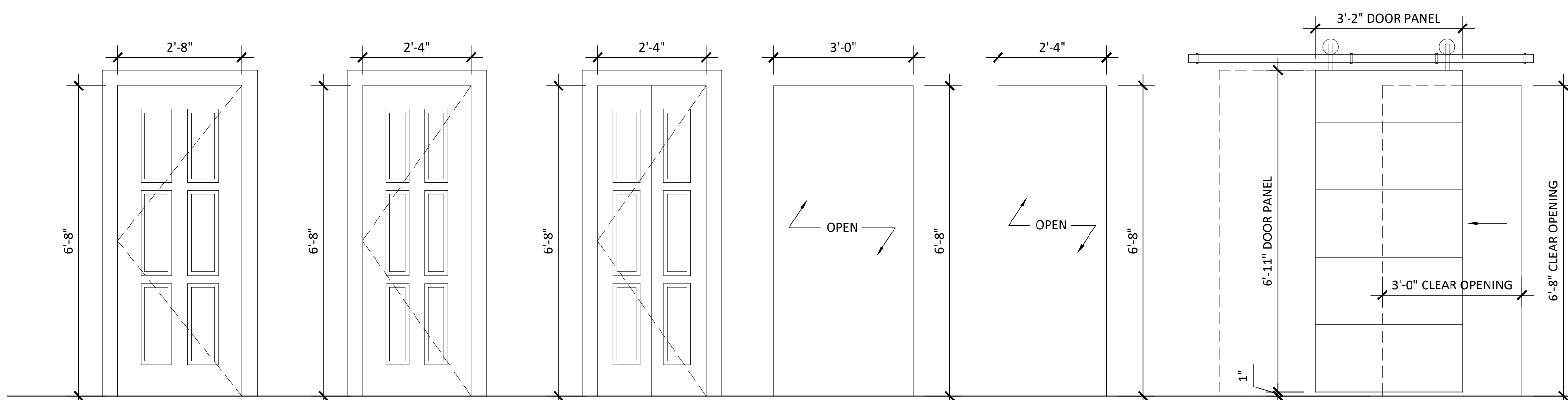
**A** EGRESS WINDOW DUAL INSULATED SINGLE HUNG WINDOW IN VINYL FRAME SEE 2/A0.35  
(TEMPERED WHERE REQUIRED BY FBC 2406.4)

**B** DUAL INSULATED SINGLE HUNG WINDOW IN VINYL FRAME SEE 2/A0.35  
(TEMPERED WHERE REQUIRED BY FBC 2406.4)

**C** DUAL INSULATED SINGLE HUNG WINDOW IN VINYL FRAME SEE 2/A0.35  
(TEMPERED WHERE REQUIRED BY FBC 2406.4)

**D** DUAL INSULATED SINGLE HUNG WINDOW IN VINYL FRAME SEE 2/A0.35  
(TEMPERED WHERE REQUIRED BY FBC 2406.4)

**1 Exterior Opening Types**  
Scale: 1/2" = 1'-0"



**3** 6-PANEL MOLDED INTERIOR DOOR IN PRE-HUNG WOOD FRAME WITH COLONIAL CASING SEE 3/A3.00

**4** 6-PANEL MOLDED INTERIOR DOOR IN PRE-HUNG WOOD FRAME WITH COLONIAL CASING SEE 3/A3.00

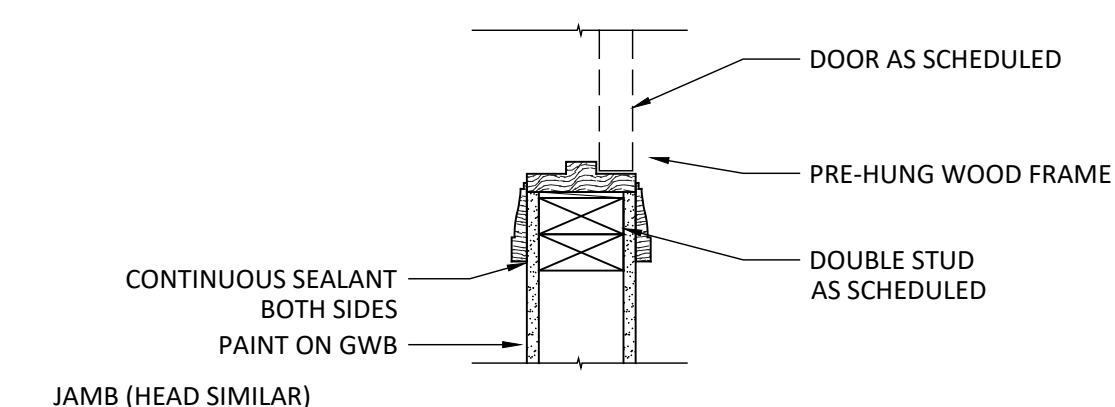
**5** 6-PANEL BI-FOLD MOLDED INTERIOR DOORS WITH COLONIAL CASING SEE 3/A3.00

**6** DRY WALL OPENING

**7** DRY WALL OPENING

**8** STAIN GRADE WOOD BARN DOOR WITH EXPOSED HARDWARE

**2 Interior Opening Types**  
Scale: 1/2" = 1'-0"



**3 Interior Opening Detail - Pre-Hung Door**  
Scale: 1-1/2" = 1'-0"



MAY 5, 2023

100% CONSTRUCTION  
DOCUMENTS

WINDOW DETAILS  
WOOD FRAME

A9.01

**6.3 PRE-WINDOW-INSTALLATION INSPECTION**

6.3.1 Before window installation, the installer shall inspect the WRB to ensure that it is installed in accordance with this standard practice and the WRB manufacturer's instructions. Any tears, penetrations or defects within 305 mm (12 in) of the rough opening area shall be sealed per the WRB manufacturer's instructions.

6.3.2 The installer shall verify that the rough opening is plumb, level, square, and true. The installer shall notify the contractor to remedy any discrepancies per this standard practice.

6.3.3 Installer shall inspect the fenestration product for damage and repair or replace if necessary.

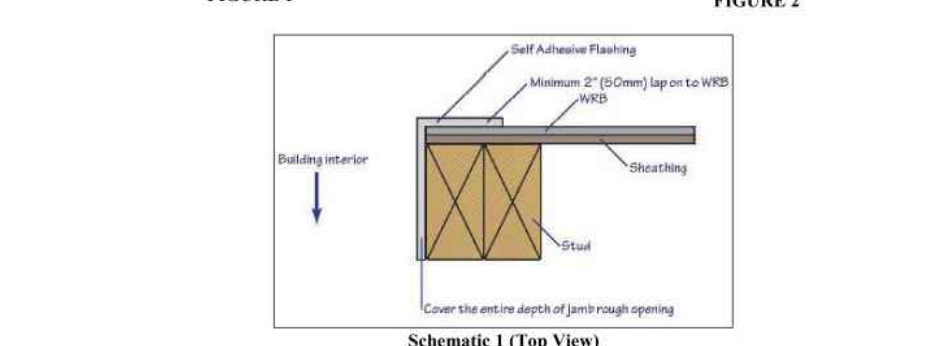
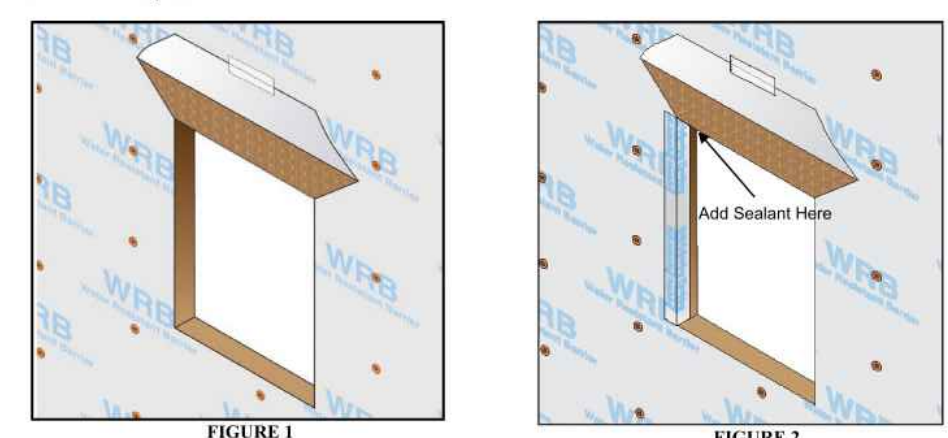
**7.0 WINDOW INSTALLATION PROCEDURES**

**7.1 PREPARATION OF WRB**

This practice recommends that the underside of the WRB be sealed at the rough opening, per discussion in Section 6.2.4. There are a variety of ways to do this successfully. Three representative methods are as follows:

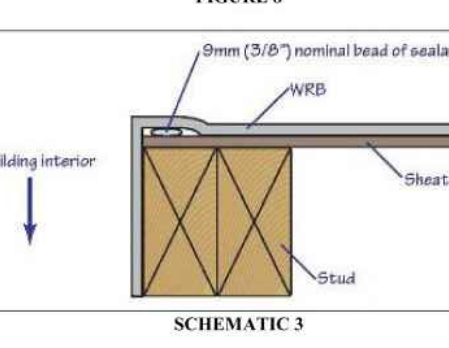
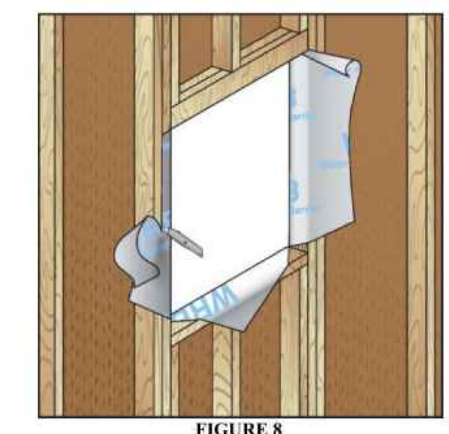
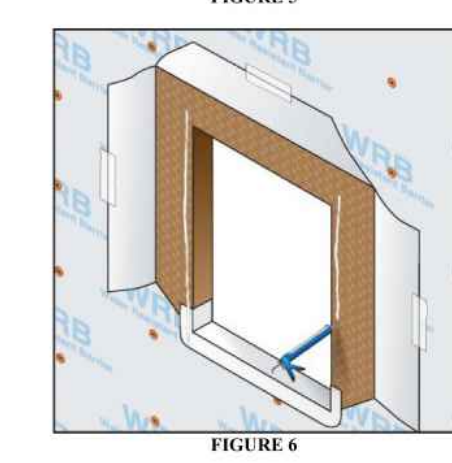
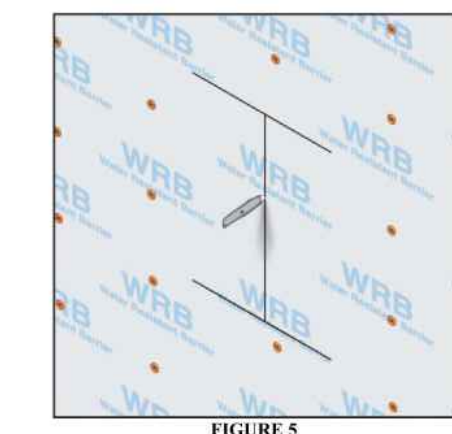
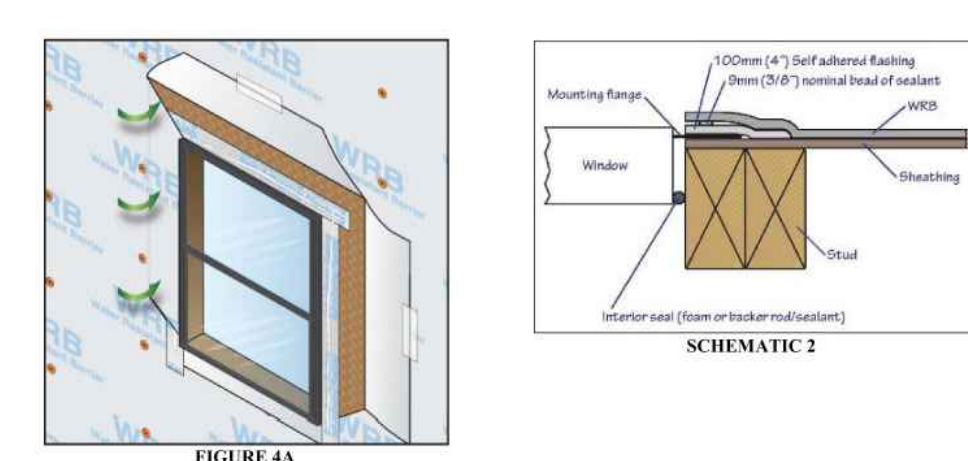
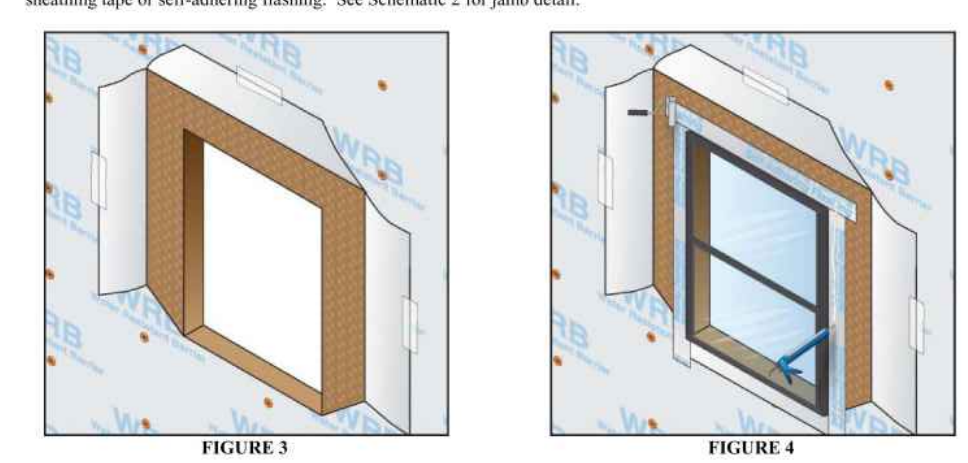
**7.1.1 WRB Method A**

Box cut WRB around rough opening, seal with 100 mm (4 in or 6 in) self-adhered flashing between the jamb corner at the head, such that self-adhered flashing covers 50 mm (2 in) on the WRB as well as into the rough opening minimum at least to the depth of the window, and the sill (see Figure 1). Apply sealant at jamb/head interface (see Figure 2). See Schematic 1 for jamb detail.

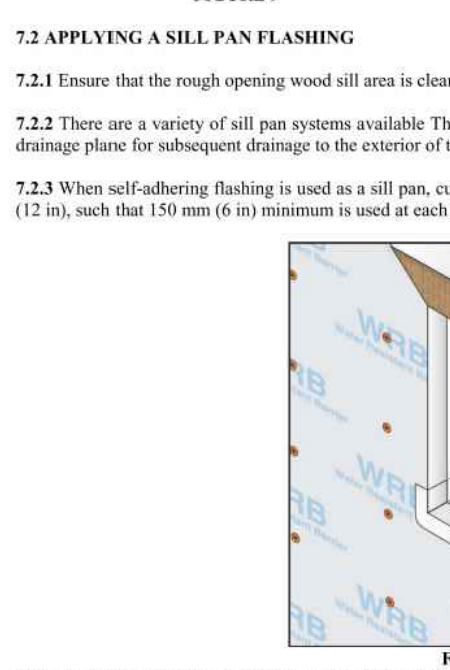
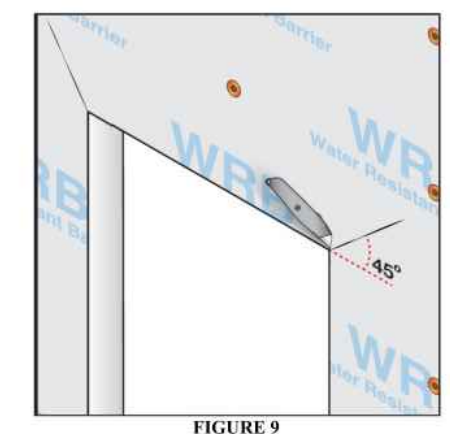


**7.1.2 WRB Method B Integration after Window is Installed (per Section 7.3.6)**

Box cut WRB around rough opening and make cut 150 mm (6 in) onto the face of the wall at each jamb corner and fold back jamb as with head flap ensuring that the jamb cuts at the sill are angled upwards (Figure 3). After the window is installed (per Section 7.3.6), apply sealant along jamb and fold over the previously folded over WRB flap allowing it to integrate with the window frame (see Figures 4 and 4A). Press down on sealant bead under WRB. Integrate WRB to the window with sheathing tape or self-adhering flashing. See Schematic 2 for jamb detail.



**7.1.4 For all WRB Wrap methods**  
At the head of the opening, starting at the top corner of the exterior window (rough) opening, measure from the corner horizontal and then vertical a distance equal to the roll width of the flashing to be applied. At a 45° angle, carefully cut the WRB on a diagonal (see Figure 9). Repeat this step on the opposite corner. Trim 25 mm (1 in) off the bottom of the WRB head flap for proper integration with the head flange of the window. Raise the bottom edge of the flap created in the WRB up and temporarily tape to the exterior face of the WRB above (Figure 10). This is done in order to allow for installation of the exterior window and head flashing later.



The self-adhering flashing sill pan system shall cover the sill to at least the depth of the window, plus at least 50 mm (2 in), but not more than 75 mm (3 in), which shall lap onto the face of the WRB drainage plane. The 75 mm (3 in) maximum is specified to ensure that jamb flashing of 100 mm (4 in) width will adequately lap over the sill flashing.

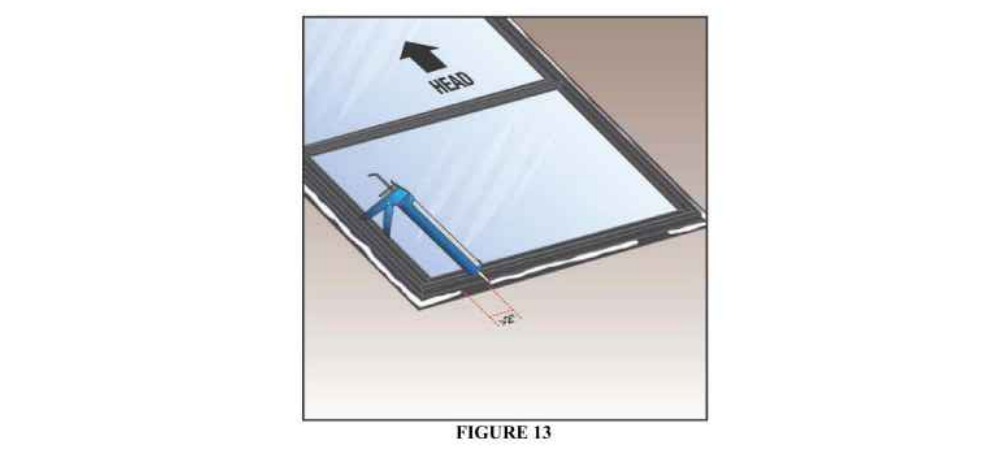
**7.3 INSTALLATION OF WINDOW INTO ROUGH OPENING**

7.3.1 Inspect and clean the back side (interior surface) of the exterior window mounting flange. Look for any sealant gaps or misaligned welding (particularly for vinyl products) at the corner jointery. If corner seals of the flange are missing in whole or part, contact the window manufacturer for the recommended remedy.

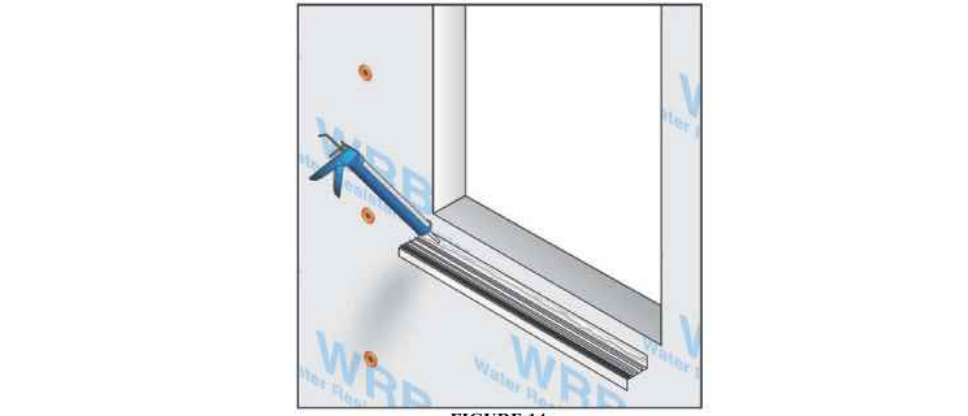
7.3.2 After cleaning the mounting flange, carefully run a continuous 9 mm (3/8 in) nominal diameter bead of sealant on the back surface (interior face) of the mounting flange (see Figure 12) of window at the head and both jambs. Apply sealant in line with any pre-punched holes or slots in the mounting flange. Connect that bead of sealant across any jointery on the window frame at all four corners. As an option, the sealant shall be permitted to be applied to the wall surface as opposed to the back of the mounting flange.



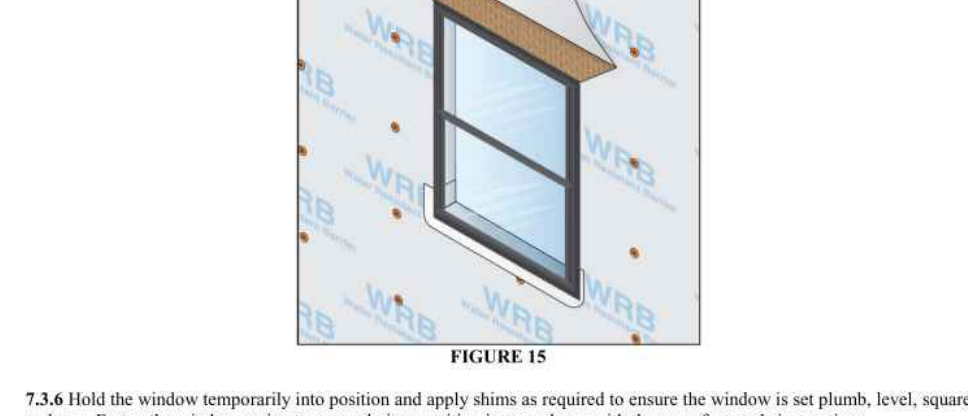
7.3.3 Apply a discontinuous bead of sealant on the interior surface of the mounting flange at the sill. The bead of sealant shall be discontinuous, leaving two 90 mm (2 in) wide within 100 mm (4 in) of each jamb (see Figure 13). Any alternative to the discontinuity in the bead of sealant at the exterior sill area shall be approved by the window manufacturer.



7.3.4 If a rigid or semi-rigid sill pan is used, apply a continuous bead of sealant to the outward side of the upturned leg of the pan where it will integrate with the interior side of the window and form an air/water seal (Figure 14).



7.3.5 Immediately set the window in the opening (see Figure 15).



7.3.6 Hold the window temporarily into position and apply shims as required to ensure the window is set plumb, level, square and true. Fasten the window perimeter securely into position in accordance with the manufacturer's instructions.

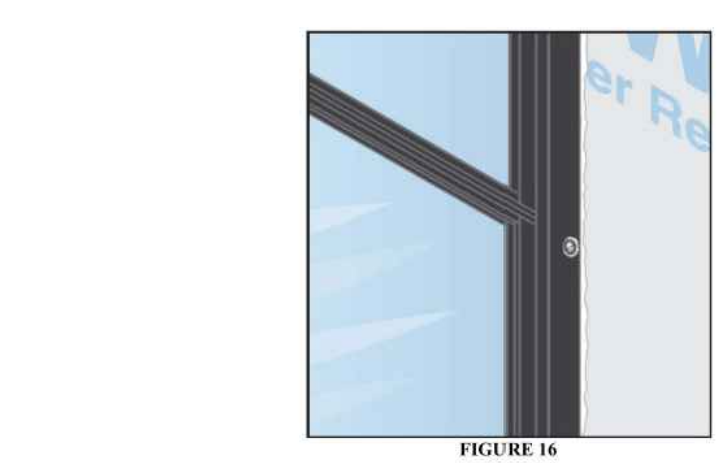
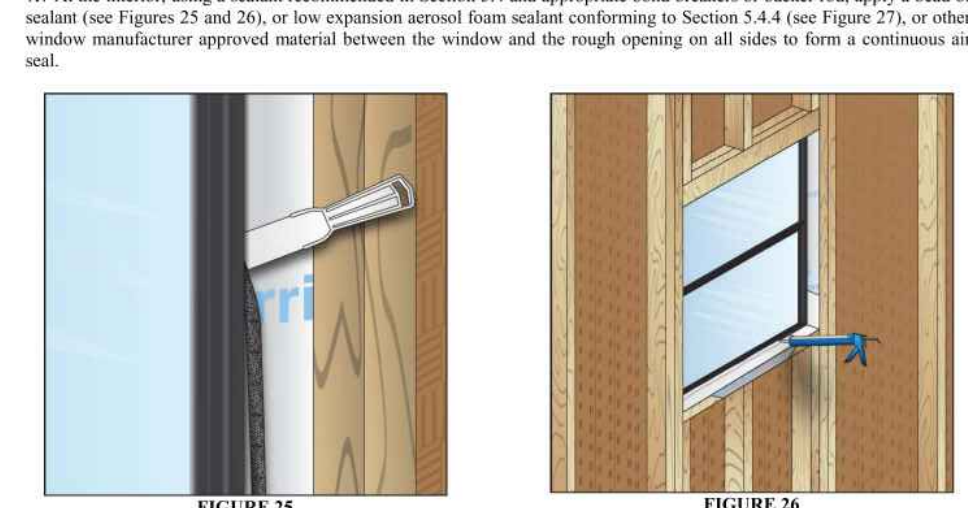
**NOTE 1:** Additional fasteners may be required at locations such as locking mechanism or hinges, per manufacturer's instructions.

7.3.6.1 For proper sealant coverage, ensure squeeze out under flange and in fastener holes (see Figure 16).

7.3.7 Install shims in such a manner that they are not permitted to interfere with the application of the air seal, which will be applied on the interior side in the steps that follow.



7.3.8 Adhere the top end of the flashing 50 mm (2 in) above the rough opening, such that the head flashing (applied later) will lap over the jamb flashing by at least 50 mm (2 in) (see Figure 17).



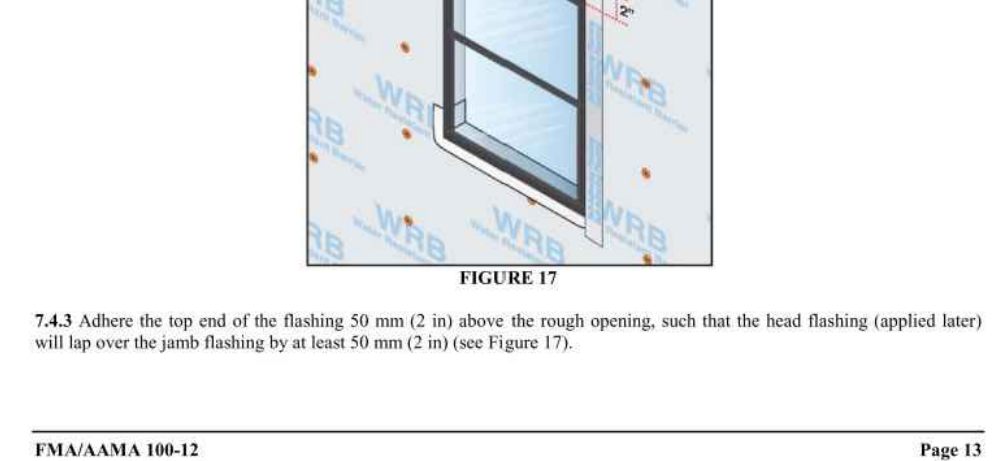
**NOTE 2:** In the following two sections: either self-adhering flashing (see Section 7.4) or mechanically attached flashing (see Section 7.5) shall be permitted to be used for jamb and head flashing, per the following steps.

**7.4 JAMB AND HEAD FLASHING INSTALLATION USING SELF-ADHERING FLASHING.**

7.4.1 Apply flashing over the mounting flange of the window at both jambs per manufacturer's instructions. The self-adhering flashing shall conform to the requirements of AAMA 711 and be a minimum of 100 mm (4 in) in width.

**NOTE 1:** Local job site conditions, application temperatures, or specific materials may require the application of primer to any exposed wood as required by the flashing manufacturer.

7.4.2 Cut the jamb flashing to a measurement equal to twice the roll width of the flashing being used, plus the height of the rough opening, minus 25 mm (1 in) and apply onto window jamb (see Figure 17).

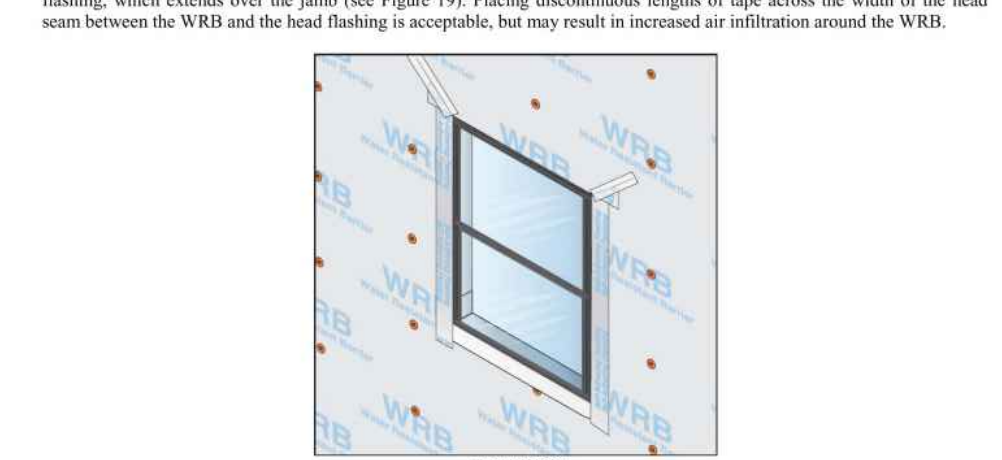
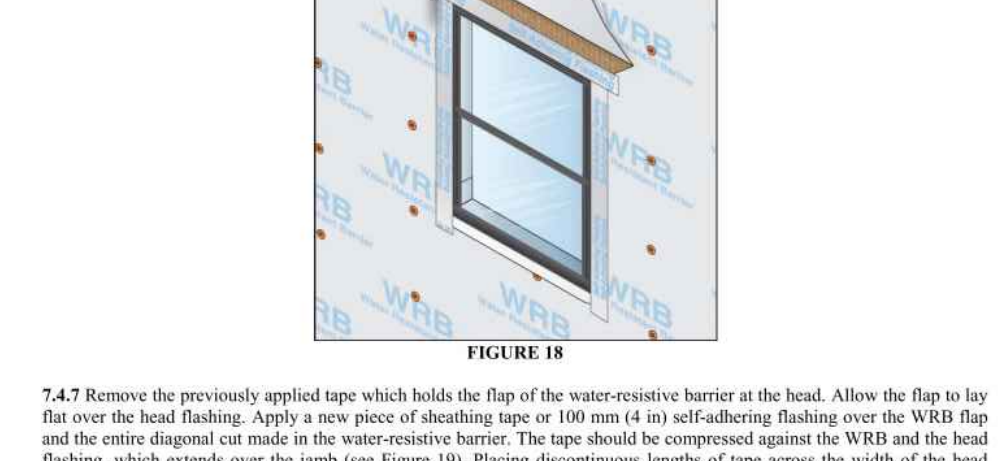


Do not interfere with the WRB flap at the head. Tuck the top of the jamb flashing under the flap of the water-resistive barrier at the head.

7.4.4 Use firm pressure to apply the self-adhering flashing to promote seal to window flange and WRB. Use of a J-Roller is recommended.

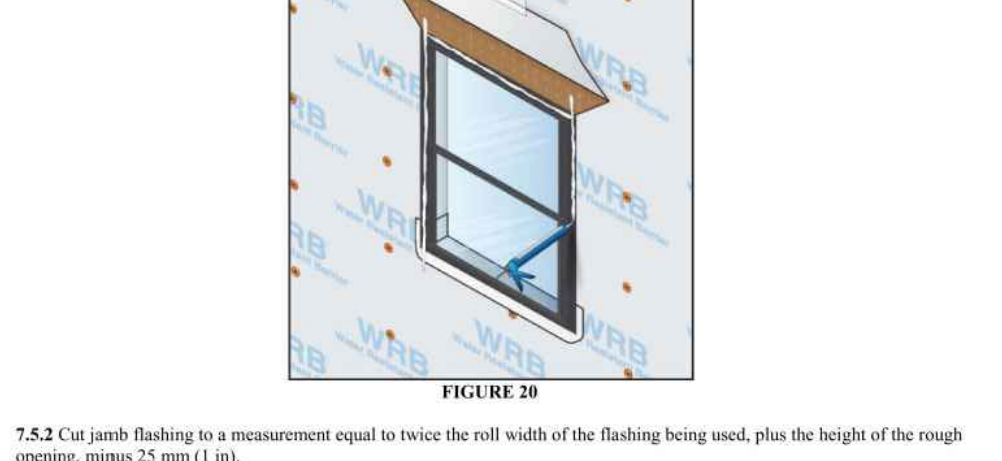
7.4.5 Apply a piece of flashing across the head of the rough opening. The head flashing shall be cut to the width of the rough opening plus two times the roll width of the flashing, plus 50 mm (2 in).

7.4.6 Adhere the self-adhering flashing with firm pressure (use of a J-Roller is recommended) across the head of the window on top of the mounting flange and beyond the rough opening on each side extending it 50 mm (2 in) over the outside edge of the flashing at the jambs (see Figure 18).



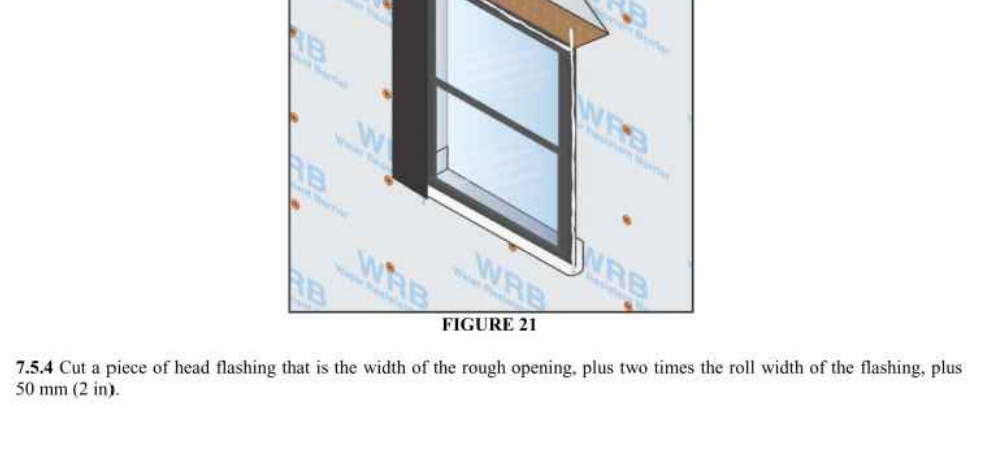
**7.5 JAMB AND HEAD FLASHING USING MECHANICALLY ATTACHED FLASHING**

7.5.1 Apply a continuous 9 mm (3/8 in) nominal diameter bead of sealant over sheathing (wall surface) and the exterior face of the mounting flange, starting 216 mm (8 1/2 in.) above the rough opening (see Figure 20) continuing down the jambs to the bottom of the sill mounting flange.



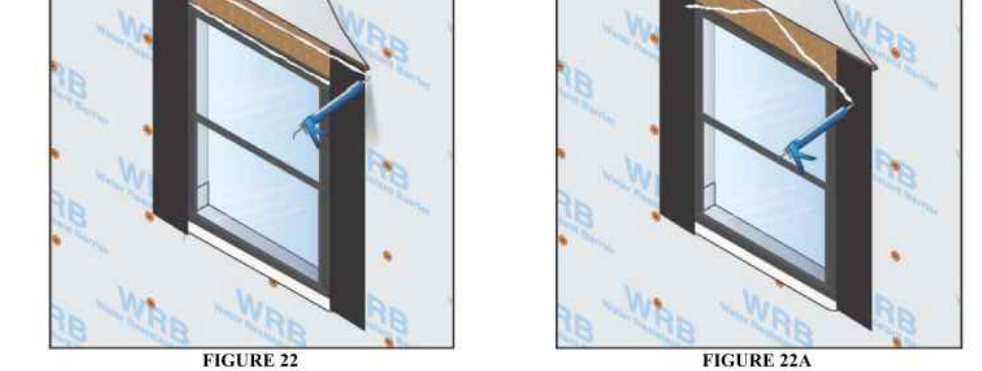
7.5.2 Cut jamb flashing to a measurement equal to twice the roll width of the flashing being used, plus the height of the rough opening, minus 25 mm (1 in).

7.5.3 Apply jamb flashing in line with any pre-punched holes/slots in the mounting flange and cover any fastener heads (see Figure 21).



7.5.5 Apply a continuous 9 mm (3/8 in) nominal diameter bead of sealant along the head. Apply an additional 9 mm (3/8 in) nominal diameter bead of sealant horizontally 216 mm (8 1/2 in.) above the rough opening in line with the top of the jamb flashing (see Figure 22) or as a sloped roof design (see Figure 22A).

7.5.6 Apply mechanically attached flashing to head over sealant and secure with mechanical fasteners (see Figure 23).



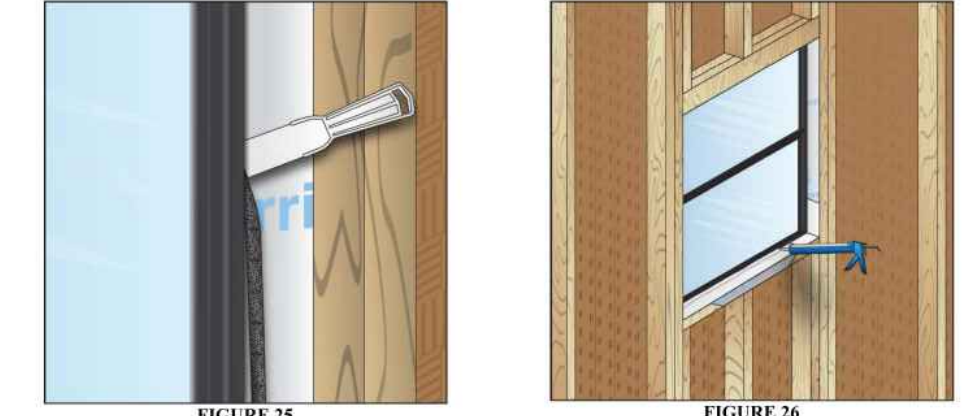
7.5.6.1 Use fasteners (in accordance with the flashing manufacturer's recommendations) to secure mechanically attached flashing at the head. (see Figure 23). Cover fasteners with WRB or sealant whenever possible.



7.6 The following steps apply when using both self-adhering and mechanically attached flashing.

Remove the previously applied tape which holds the flap of the water-resistive barrier at the head. Allow the flap to lay flat over the flashing. Apply a new piece of sheathing tape or 100 mm (4 in) self-adhering flashing over the WRB flap and the entire diagonal cut made in the water-resistive barrier. The tape should be compressed against the WRB and the head flashing, which extends over the jamb (see Figure 24). Placing discontinuous lengths of tape across the width of the head seam between the WRB and the head flashing is acceptable, but may result in increased air infiltration around the WRB.

7.7 At the interior, using a sealant recommended in Section 5.4 and appropriate bond breakers or backer rod, apply a bead of sealant (see Figures 25 and 26), or low expansion aerosol foam sealant conforming to Section 5.4.4 (see Figure 27), or other window manufacturer approved material between the window and the rough opening on all sides to form a continuous air seal.



7.7.1 For drainage sill pan methods, this interior seal effectively forms a back dam to prevent water intrusion into the interior, thus the integrity (adhesive bond strength) of this seal is critical. A raised upturned leg on the interior plane of the sill pan made from a rigid material can also be used, if properly air sealed. If a rigid or semi-rigid sill pan was used, recheck the seal between the sill of the window and the upturned leg of the sill pan and reseat as needed (see Figure 28).



7.7.2 To ensure adequate protection against extreme wind driven water, it is critical that the perimeter interior air and water seal between the window and the sill pan flashing is adequate. If a raised upturned leg on the interior plane of the sill pan made from a rigid material can also be used, if properly air sealed. If a rigid or semi-rigid sill pan was used, recheck the seal between the sill of the window and the upturned leg of the sill pan and reseat as needed (see Figure 28).

**8.0 POST INSTALLATION PROCEDURES**

8.1 Verify that the window frame and sash are installed plumb, level, square and true, within the specified tolerances (see Section 6.0).

8.2 Check of Operable Elements - Verify that the operable sashes move freely within their frames and that weather stripping or compressible seals make full contact with mating surfaces.

8.3 Verify that operable hardware such as locks, cranks, latches and hinges operate smoothly and that all locking mechanisms engage and operate properly.

8.4 Verify that all accessories and other components of the fenestration product assembly are present, such as screens and hardware as applicable.

8.5 Verify that Drainage holes are free from any blockages or obstructions.

**9.0 KEYWORDS**

9.1 Flashing; Sealant; Sill pans; Water-resistive barrier (WRB); Window; Installation; Mount flanges; Air seal.

**6.3 SILLS**  
Sills in wood frame construction can consist of a concrete slab or wood frame flooring (sub floor). The preparation shall be provided for the specific sill system per Sections 7.3 and 7.4. The WRB shall lap over the sill preparation.

**6.3.1** Sills shall be level to ensure a continuous flat surface to support the door. If necessary, leveling can be done with grinding and/or a non-shrink, water-resistant cementitious mud, grout, or other continuous shimming material. If rough opening sills are sloped to exterior to promote drainage, then wedge shims shall be used to provide flat bearing as needed.

**6.3.1.1** Concrete slab sills can be recessed or flush with the floor. Recessed sill dimensions depend on the specific door frame depth and profile. Consult with the door manufacturer for proper recess dimensions. The rough framing material shall not protrude into the recessed sill area.

**NOTE 1:** Recessed sills may not be practical for use with in-swing doors. Consult door manufacturer's instructions for guidance.

**6.3.1.2** Wood sills are flush with the floor and may be sloped to the exterior to promote drainage.

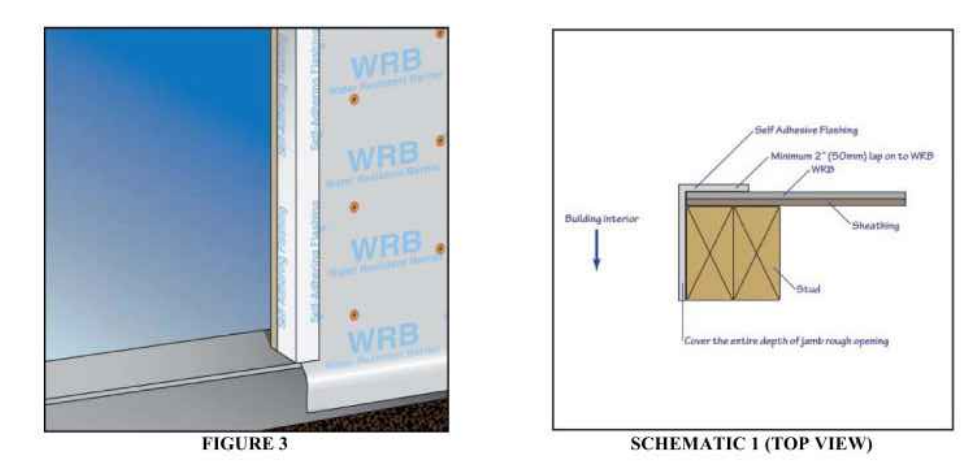
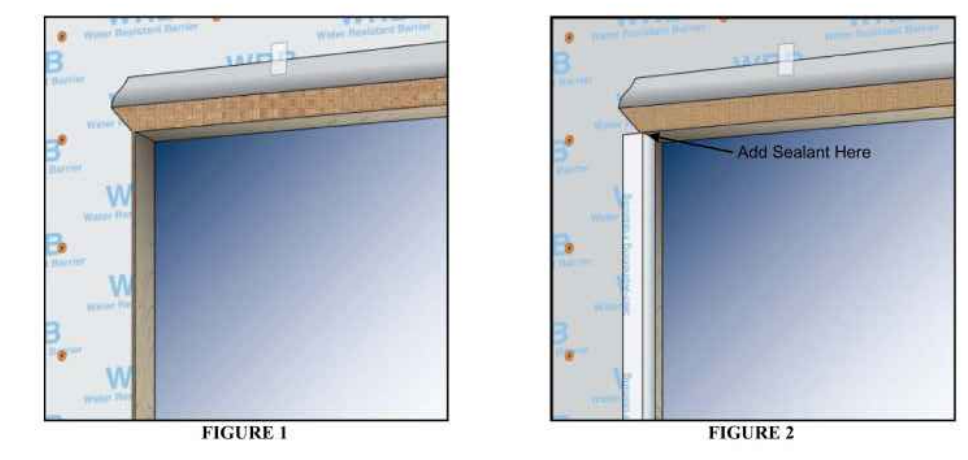
**6.3.2** Direct contact of aluminum surfaces with all incompatible materials shall be avoided. Aluminum shall be protected from incompatible materials by plating between the surfaces substances such as titanium coatings of paint, caulking, non-absorptive plastic, elastomeric tapes, or gaskets.

**6.4 PRE DOOR INSTALLATION INSPECTION**

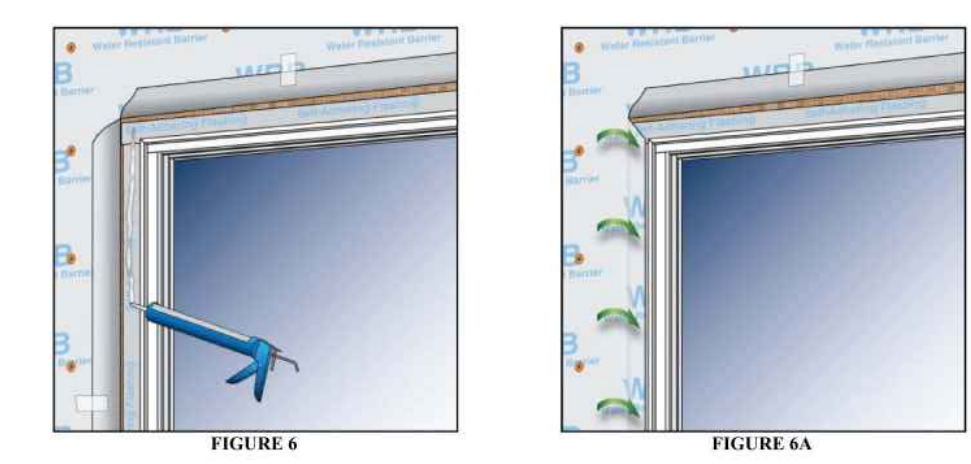
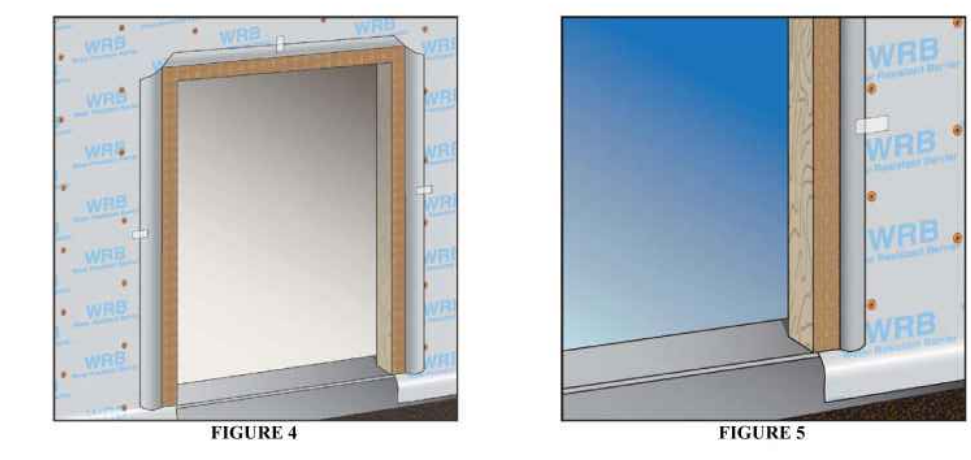
**6.4.1** Before door installation, the installer shall inspect the WRB to ensure it is installed in accordance with this standard practice and the WRB manufacturer's instructions. Any tears, penetrations, or defects within 305 mm (12 in) of the rough opening area shall be sealed per the WRB manufacturer's instructions.

**6.4.2** The installer shall verify that the rough opening is plumb, level, square, and true. The installer shall notify the contractor to remedy any discrepancies per this standard practice.

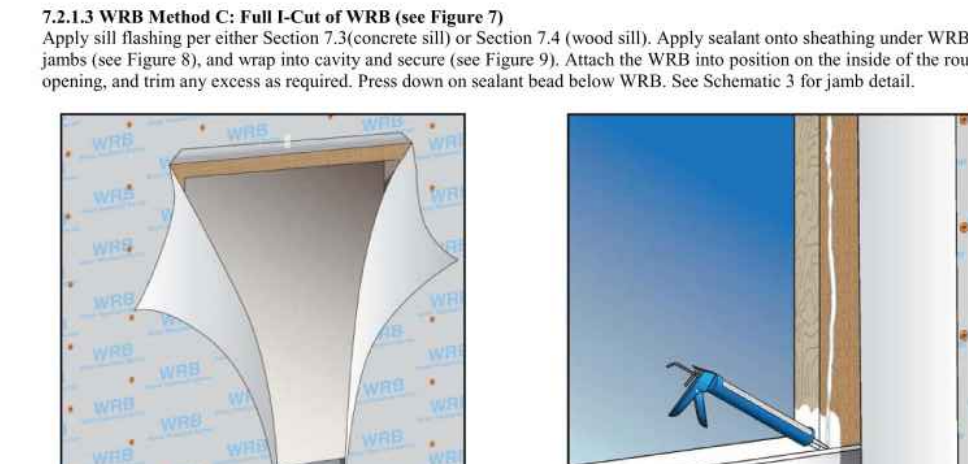
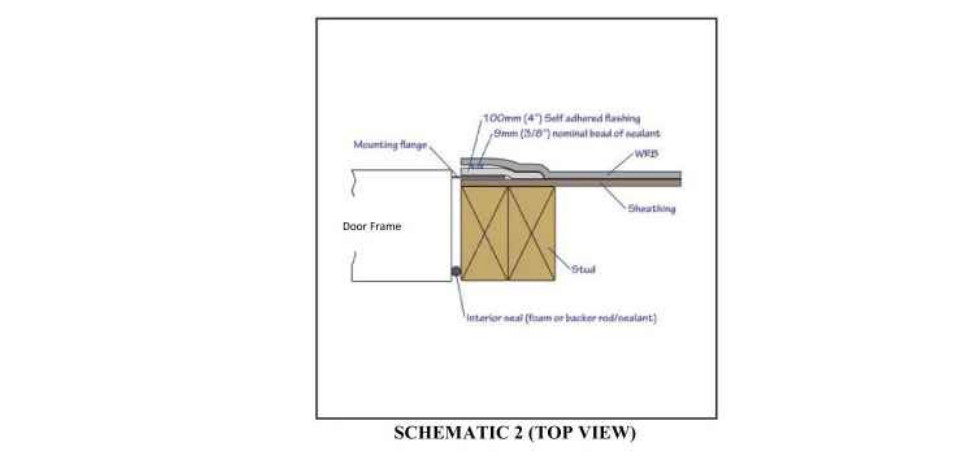
**6.4.3** Installer shall inspect the fenestration product for damage and repair or replace if necessary.



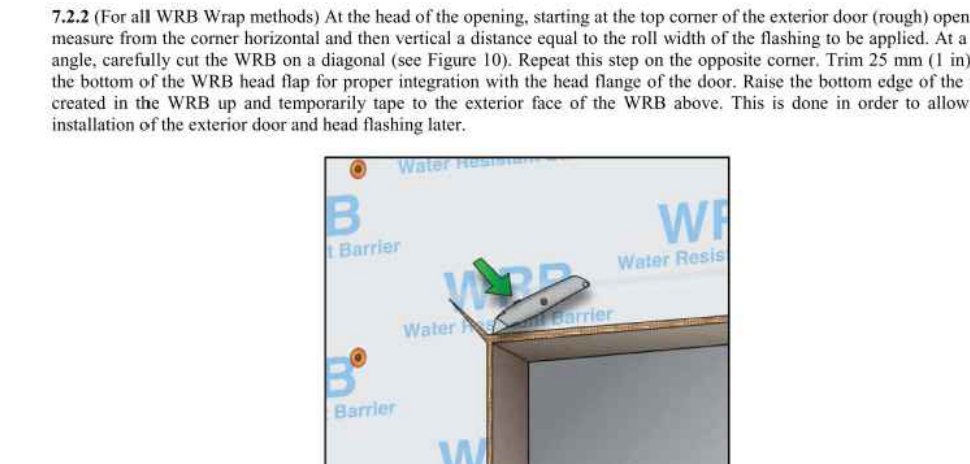
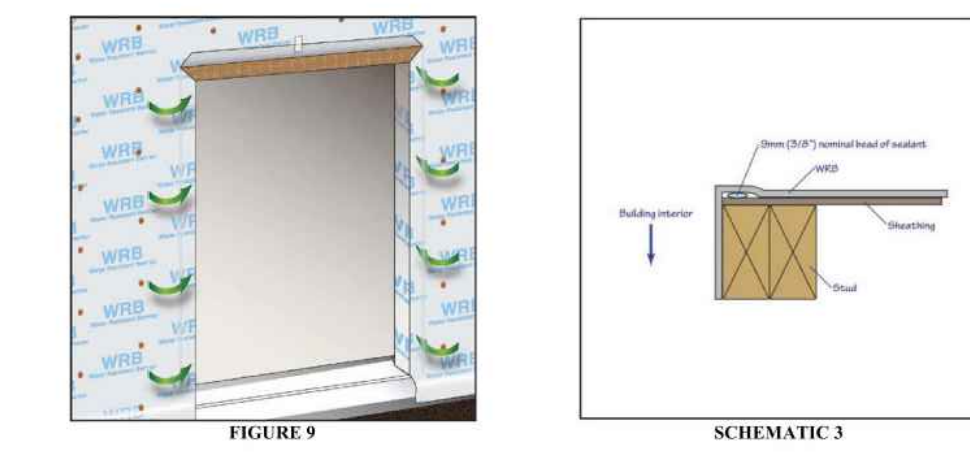
**7.2.1.2 WRB Method B: Integration after Door is Installed (per Section 7.5)**  
For use with Mounting Flange Doors Only: Box cut WRB around rough opening and make cut 150 mm (6 in) onto the face of the wall at each jamb corner and fold back jamb as with head flap (see Figure 4), ensuring that the jamb cuts at the sill are angled upwards (see Figure 5). After the door is installed (per Section 7.5), apply sealant along jamb and hold over the previously folded over WRB jamb flap allowing it to integrate with the door frame (see Figures 6 and 6A). Press down on sealant bead under WRB. Integrate WRB to the door with sheathing tape or self-adhering flashing. See Schematic 2 for jamb detail.



**7.2.1.3 WRB Method C: Full I-Cut of WRB (see Figure 7)**  
Apply self-adhering flashing per either Section 7.3 (concrete sill) or Section 7.4 (wood sill). Apply sealant onto sheathing under WRB at jambs (see Figure 8), and wrap into cavity and secure (see Figure 9). Attach the WRB into position on the inside of the rough opening, and trim any excess as required. Press down on sealant bead below WRB. See Schematic 3 for jamb detail.



**7.2.2 (For all WRB Wrap Methods) At the head of the opening, starting at the top corner of the exterior door (rough opening), measure from the corner horizontal and then vertical a distance equal to the roll width of the flashing to be applied. At a 45° angle, carefully cut the WRB on a diagonal (see Figure 10). Repeat this step on the opposite corner. Trim 25 mm (1 in) off the bottom of the WRB head flap for proper integration with the head flange of the door. Raise the bottom edge of the flap created in the WRB up and temporarily tape to the exterior face of the WRB above. This is done in order to allow for installation of the exterior door and head flashing later.**



**7.3 CONCRETE SILL PREPARATION AND INSTALLATION**

**7.3.1** Ensure that the concrete sill area is clean and free of debris, cracks and cracks.

**7.3.2** Treat the concrete sill area, whether recessed or flush, with a liquid applied flashing (LAF) to prevent absorption of liquid water. This application of the liquid applied flashing shall be carried out as follows:

- For a flat or non-recessed sill condition, lower surface of the concrete sill to the depth of the inside face of the wall, and the exterior face covering at least 100 mm (4 in) down from the exterior edge (see Figure 11).

For a recessed sill, the end and rear returns, to form one continuous sealed area (see Figure 12).

The seal performance shall meet local wind exposure requirements and not interfere with the application of the exterior facade. The liquid applied flashing shall be applied in accordance with the manufacturer's recommendations and shall meet the requirements of AAMA 714.

**7.3.3** For slab on grade sill conditions where a barrier type installation is used, apply continuous sealant beads across the full floor length of the framed opening (or along the bottom of the door frame) in a location where the sealant makes contact with the door sill and concrete slab. Two 10 mm (3/8 in) diameter beads shall be used. Deposit a sufficient amount of the sealant at the framed opening corners so the bottom door frame corners are embedded in sealant when the door is installed.

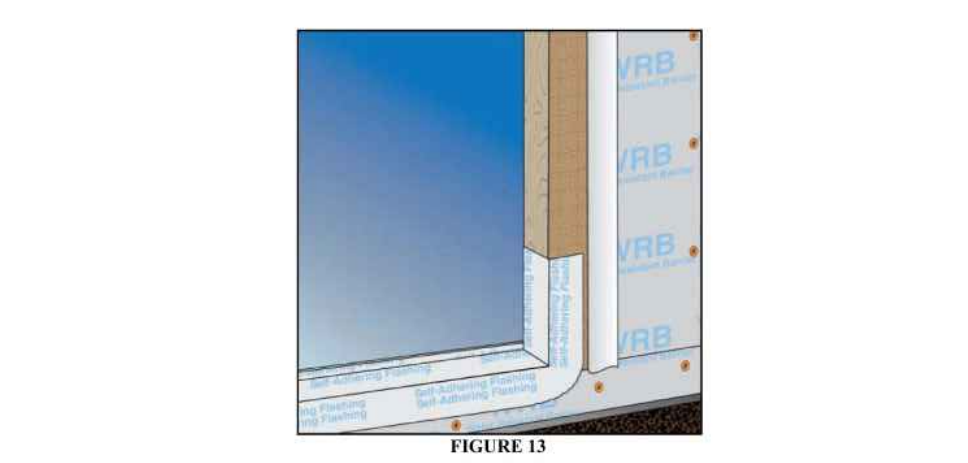
**NOTE 2:** Barrier type installations are not designed to manage incidental water intrusion through the door unit or at the interface with the wall.

**7.3.4** For drainage installations that are designed to manage incidental water, a sill pan is used to promote drainage to the exterior. The sill pan shall be sloped toward the exterior. The water resistant recessed sill area described Sections 6.3.1.1 and 7.3.2 can serve as a sill pan. The door sill shall be supported consistent with Section 6.3.1.

**7.4 WOOD SILL PREPARATION AND INSTALLATION**

**7.4.1** Ensure that the rough opening wood sill area is clean and free of debris.

**7.4.2** Treat the rough opening wood sill area with a water resistant coating or a self-adhering flashing membrane to prevent absorption of liquid water. Cover the entire sill area and at least 100 mm (4 in) up the jambs and integrate with the WRB below the sill for non-grade doors (see Figure 13). The water resistant coating or flashing membrane shall provide a water resistant seal around nails or fasteners as described in Section 5.2 of AAMA 714 for liquid applied flashing or AAMA 711 for self-adhered flashing. The water resistant coating or membrane shall be applied in accordance with the manufacturer's recommendations.



**7.4.3** Sill pan flashing shall be applied on wood floors. There are a variety of sill pan systems available; the waterproof coating or membrane can act as this sill pan flashing with manufacturer's approval. The sill pan flashing shall direct water to the exterior or to the membrane drainage plane for subsequent drainage to the exterior of the building. The sill pan flashing shall be sealed to the wood floor to prevent water intrusion under the sill pan flashing.

**7.5 MOUNTING FLANGE DOOR FRAME PREPARATION**

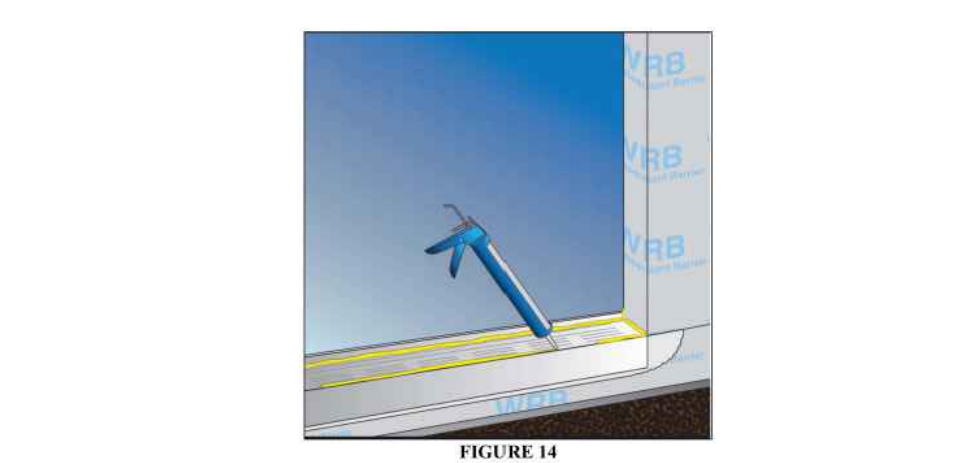
**7.5.1 Integrate Flange Doors**

**7.5.1.1** Inspect and clean the back side (interior surface) of the exterior door mounting flange. Look for any sealant gaps or misaligned welding (particularly for vinyl products) at the corner joinery. If corner seals of the flange are missing in whole or part, contact the exterior door manufacturer for the recommended remedy.

**7.5.1.2** After cleaning the mounting flange, carefully run a continuous 9 mm (3/8 in) nominal diameter bead of sealant on the back surface (interior face) of the exterior door at the head and both jambs. Apply sealant in line with any pre-punched holes or slots in the mounting flange. Connect that bead of sealant across any joinery on the exterior door frame at all four corners. As an option, the sealant shall be permitted to be applied to the wall surface as opposed to the back of the mounting flange.

**7.5.2 Applied Flanges (Field-Applied/Mechanically Attached/Non-Integral Flange Systems)**  
Additional flashing and sealing detail is required in order to provide a waterproof seal at the interface between the flange and the door frame. When using applied flanges, refer to the manufacturer's instruction for sealing the applied flange to the frame.

**7.5.3** Apply a single continuous bead of sealant onto the previously installed sill pan at a location closest to the innermost plane of the sill pan and up along each jamb, to serve as part of the interior air and water seal. The water performance integrity of the installation is dependent upon this critical seal.



**7.5.4** If applied, an exterior bead of sealant shall be discontinuous, leaving two 50 mm (2 in) voids within 100 mm (4 in) of each jamb (see Figure 14). Any alternative to the discontinuity in the bead of sealant at the exterior sill area shall be approved by the fenestration product manufacturer.

**7.5.5** Door Frame Installation into the Rough Opening - Immediately after sealant application to the sill pan, set the exterior door into the opening (see Figure 15). Hold the exterior door temporarily into position and apply shims as required to ensure the exterior door is set plumb, level, square and true. Fasten the exterior door perimeter securely into position in accordance with the manufacturer's instructions.

**NOTE 3:** For clarity, only the door frame is shown.

**NOTE 4:** Additional fasteners may be required at locations such as locking mechanism or hinges, per manufacturer's instructions.

**7.5.6.1** For proper sealant coverage, ensure squeeze out under flange and in fastener holes.

**7.5.5.2** Install shims in such a manner that they are not permitted to interfere with the application of the air seal, which will be applied on the interior side in the steps that follow.

**7.5.5.3** For applications where the exterior door sill will be screwed down, pre-drill the fastener holes in the sill and apply appropriate sealant into the drilled hole. Install the fasteners and seal over the fastener head ensuring a water-tight condition.

**7.5.6 Jamb and Head Flashing Installation using Self-Adhering Flashing**

**7.5.6.1** Apply flashing over the mounting flange of the exterior door at both jambs per manufacturer's instructions. The self-adhering flashing shall conform to the requirements of AAMA 711 and be a minimum of 100 mm (4 in) in width.

**NOTE 5:** Local job site conditions, application temperatures, or specific materials may require the application of primer to any exposed wood or concrete/masonry as required by the flashing manufacturer.

**7.5.6.2** For grade level door installations, cut the jamb flashing 50 mm (2 in) longer than the rough opening height, including the recess sill. For non-grade level applications, cut the jamb flashing 100 mm (4 in) greater than the rough opening height to cover 50 mm (2 in) above and below the rough opening.

**7.5.6.3** Adhere the top end of the flashing 50 mm (2 in) above the rough opening, such that the head flashing (applied later) will lap over the jamb flashing by at least 50 mm (2 in) (see Figure 16). Do not interfere with the WRB flap at the head. Tuck the top of the jamb flashing under the flap of the water-resistant barrier at the head.

**7.5.6.4** Use firm pressure to apply the self-adhering flashing to promote seal to exterior door flange and WRB. Use of a J-Roller is recommended.

**7.5.6.5** Use of a drip cap is strongly recommended at the head of the door frame or system (see Figure 16). See manufacturer's instructions for installation details.

**7.5.6.6** Adhere the self-adhering flashing with firm pressure (use of a J-Roller is recommended) across the head of the exterior door on top of the mounting flange and beyond the rough opening on each side extending 50 mm (2 in) over the outside edge of the flashing at the jambs (see Figure 17).

**7.6 EXTERIOR CASING (BRICK MOLDING) DOOR INSTALLATION**

**7.6.1** Sealing the casing to the door frame. The interface between the exterior casing/brick mold and the door frame may not be a reliable water tight seal. Extra precautions shall be taken to seal this interface. This can be done with either self-adhering flashing designed for this purpose (see Figure 19) or a continuous 9 mm (3/8 in) nominal diameter bead of sealant around the entire perimeter of the casing/frame interface (see Figure 20). Too sealant to ensure a proper seal between parts.

**7.6.2** Apply a single continuous bead of sealant onto the previously installed sill pan at a location closest to the innermost plane of the sill pan and up along each jamb, to serve as part of the interior air and water seal. The water performance integrity of the installation is dependent upon this critical seal.

**7.6.3** If applied, an exterior bead of sealant shall be discontinuous, leaving two 50 mm (2 in) voids within 100 mm (4 in) of each jamb (see Figure 14). Any alternative to the discontinuity in the bead of sealant at the exterior sill area shall be approved by the fenestration product manufacturer.

**7.6.4 Door Frame Installation into the Rough Opening**  
Immediately after sealant application to the sill pan, set the exterior door into the opening (see Figure 21). Hold the exterior door temporarily into position and apply shims as required to ensure the exterior door is set plumb, level, square and true. Fasten the exterior door perimeter securely into position in accordance with the manufacturer's instructions.

**7.6.4.1** Fasten the exterior casing/brick mold to the wall frame, making sure that this does not impact the thickness of the door.

**NOTE 6:** Additional fasteners may be required at locations such as locking mechanism or hinges, per manufacturer's instructions.

**7.6.5** Install shims in such a manner that they are not permitted to interfere with the application of the air seal, which will be applied on the interior side in the steps that follow.

**7.6.6** For applications where the exterior door sill will be screwed down, pre-drill the fastener holes in the sill and apply appropriate sealant into the drilled hole. Install the fasteners and seal over the fastener head ensuring a water-tight condition.

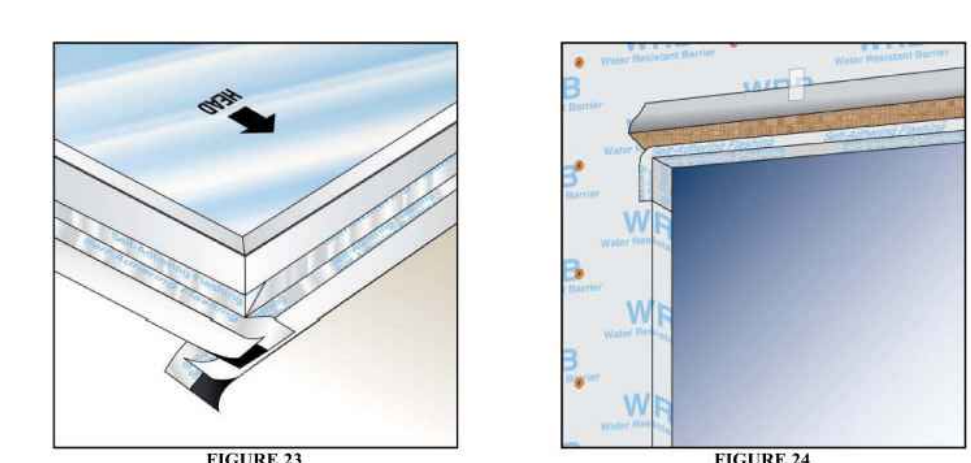
**7.6.7** Integration between the door frame and the WRB. Use of self-adhering flashing that is designed for continuous integration between the door frame and the WRB is recommended for doors with exterior casing/brick mold (see Figure 23). Alternatively, apply a continuous 9 mm (3/8 in) nominal diameter bead of sealant around the entire perimeter of the exterior casing/brick molding interface with the WRB. The WRB shall be applied so that it is under the exterior casing/brick molding (WRB Wrap Method B per Section 7.2.1.2 is not permitted).

**7.6.8** A drip cap shall be applied at the head of the exterior casing / brick mold door. The drip cap shall be applied under the WRB head flap and integrated to the sheathing with self-adhering flashing. See manufacturer's instructions for installation details.

**7.6.9** Remove the previously applied tape which holds the flap of the water-resistant barrier at the head. Allow the flap to lay flat over the drip cap and flashing. Apply a new piece of sheathing tape or 100 mm (4 in) self-adhering flashing over the WRB flap and the entire diagonal cut made in the water-resistant barrier. The tape should be compressed against the WRB and the head flashing, which extends over the jamb. Placing discontinuous lengths of tape across the width of the head seam between the WRB and the head flashing is acceptable, but may result in increased air infiltration around the WRB (see Figure 18).

**7.7 BOX FRAME (NON-FLANGED) DOOR INSTALLATION**  
The WRB shall be applied so that the rough opening returns is protected per Method A or C (WRB Wrap Method B per Section 7.2.1.2 is not permitted).

**7.7.1** Door frame preparation. Use of self-adhering flashing that is designed for continuous integration between the door frame and the WRB is recommended for box frame/non-flanged doors. Alternatively, the door can be integrated to the WRB per Section 7.6.2. If the method per Section 7.6.2 is used, apply self-adhering flashing at the head of the rough opening and wrap into the rough opening returns (see Figure 24). Ensure that the corners of the rough opening jamb/head interface are fully protected with self-adhered flashing. Apply sealant to any overlapping seams in the self-adhered flashing.



**7.7.2** Apply a single continuous bead of sealant onto the previously installed sill pan at a location closest to the innermost plane of the sill pan and up along each jamb, to serve as part of the interior air and water seal. The water performance integrity of the installation is dependent upon this critical seal.

**7.7.3** If applied, an exterior bead of sealant shall be discontinuous, leaving two 50 mm (2 in) voids within 100 mm (4 in) of each jamb (see Figure 14). Any alternative to the discontinuity in the bead of sealant at the exterior sill area shall be approved by the fenestration product manufacturer.

**7.7.4 Door Frame Installation into the Rough Opening**  
Immediately after sealant application to the sill pan, set the exterior door into the opening. Hold the exterior door temporarily into position and apply shims as required to ensure the exterior door is set plumb, level, square and true. Fasten the exterior door perimeter securely into position in accordance with the manufacturer's instructions.

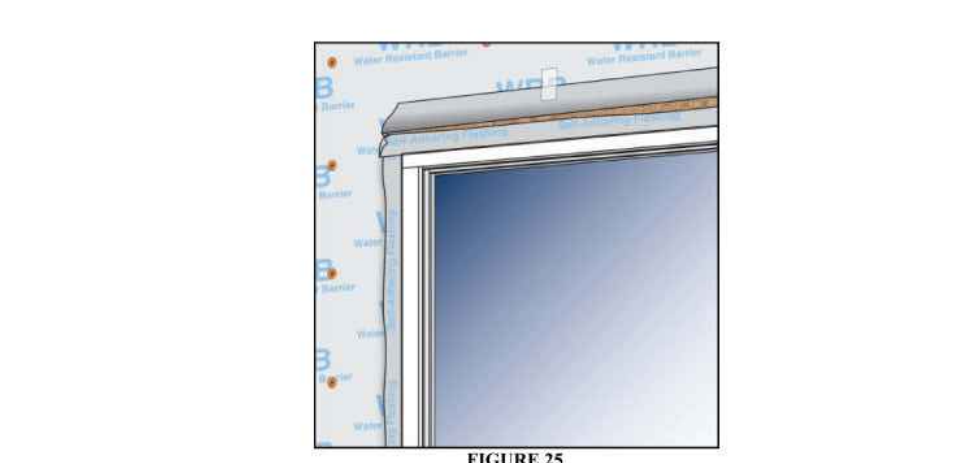
**NOTE 7:** Additional fasteners may be required at locations such as locking mechanism or hinges, per manufacturer's instructions.

**7.7.4.1** Install shims in such a manner that they are not permitted to interfere with the application of the air seal, which will be applied on the interior side in the steps that follow.

**7.7.5** For applications where the exterior door sill will be screwed down, pre-drill the fastener holes in the sill and apply appropriate sealant into the drilled hole. Install the fasteners and seal over the fastener head ensuring a water-tight condition.

**7.7.6 Integration between the Door Frame and the WRB**

**7.7.6.1** Where self-adhering flashing designed for this application is used, the flashing can be integrated directly with the WRB at the jambs and the head (see Figure 25).



**7.7.7** A drip cap shall be applied at the head of the exterior casing / brick mold door. The drip cap shall be applied under the WRB head flap and integrated to the sheathing with self-adhering flashing. See manufacturer's instructions for installation details.

**7.7.8** Remove the previously applied tape which holds the flap of the water-resistant barrier at the head. Allow the flap to lay flat over the drip cap and flashing. Apply a new piece of sheathing tape or 100 mm (4 in) self-adhering flashing over the WRB flap and the entire diagonal cut made in the water-resistant barrier. The tape should be compressed against the WRB and the head flashing, which extends over the jamb (see Figure 27). Placing discontinuous lengths of tape across the width of the head seam between the WRB and the head flashing is acceptable, but may result in increased air infiltration around the WRB.

**The Remaining Sections apply to all Door Attachment Types**

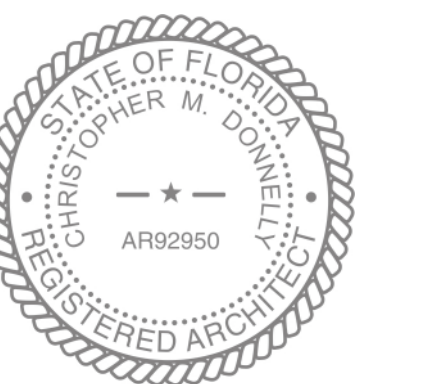
**7.8** At the interior, using a sealant recommended in Section 5.4 and appropriate bond breakers or backer rod, apply a bead of sealant, and/or low expansion aerosol foam sealant conforming to Section 5.4.4, or other manufacturer approved material between the sill of the door and the rough opening on all sides to form a continuous air seal (see Figure 28).

**7.8.1** For drainage sill pan methods, this interior seal effectively forms a back dam to prevent water intrusion into the interior, thus the integrity (adhesive bond strength) of this seal is critical. A raised upturned leg on the interior plane of the sill pan made from a rigid material can be also be used. If properly air-sealed. If a rigid or non-rigid sill pan was used, recess the seal between the sill of the door and the upturned leg of the sill pan and resal as needed.

**7.8.2** In cases where shims, clips, or anchoring devices cause interference with the application of the interior air and water seal, trim, remove or take steps necessary to seal such obstructions to allow for a continuous air/water seal. In all cases make sure the entire perimeter joint has been sealed, creating an air/water tight condition.

**SOLOMON FAMILY  
RESIDENCE RENOVATIONS**  
*Fort White, Florida*

PROJECT LOCATION:  
SOLOMON RESIDENCE  
862 SW BLUFF DRIVE  
FORT WHITE, FLORIDA 32038  
FLORIDA ARCHITECT AR 92950



MAY 5, 2023

100% CONSTRUCTION  
DOCUMENTS

PRODUCT  
APPROVALS

**A9.90**

**ELEVATION FOR TYP. EQUAL LEG FRAME, EQUAL-LITE CONFIGURATION**

**ELEVATION FOR TYP. FLANGE FRAME, PROVIEW/ORIEL CONFIGURATION (COTTAGE SIMILAR)**

**ELEVATION FOR TYP. FIN OR J-CANNEL FRAME, EQUAL-LITE CONFIGURATION (SIMILAR ANCHOR DIMENSIONS FOR OTHER CONFIGURATIONS)**

**GENERAL NOTES: SERIES 5500 IMPACT RESISTANT, VINYL SINGLE HUNG WINDOW**

- THIS PRODUCT HAS BEEN DESIGNED & TESTED TO COMPLY WITH THE REQUIREMENTS OF THE FLORIDA BUILDING CODE.
- ALL WOOD BUCKS LESS THAN 1-1/2" THICK ARE TO BE CONSIDERED 1X INSTALLATIONS. 1X WOOD BUCKS ARE OPTIONAL IF UNIT IS INSTALLED DIRECTLY TO SUBSTRATE. WOOD BUCKS DEPICTED AS 2X ARE 1-1/2" THICK OR GREATER. 1X AND 2X BUCKS (WHEN USED) SHALL BE DESIGNED TO PROPERLY TRANSFER LOADS TO THE STRUCTURE. WOOD BUCK DESIGN AND INSTALLATION IS THE RESPONSIBILITY OF THE ENGINEER, (EOR) OR ARCHITECT OF RECORD, (AOR).
- ANCHOR EMBEDMENT TO BASE MATERIAL SHALL BE BEYOND WALL DRESSING OR STUCCO. USE ANCHORS OF SUFFICIENT EMBEDMENT. INSTALLATION ANCHORS SHOULD BE SEALED. OVERALL SEALING/FLASHING STRATEGY FOR WATER RESISTANCE OF INSTALLATION SHALL BE DONE BY OTHERS AND IS BEYOND THE SCOPE OF THESE INSTRUCTIONS.
- MAX. 1/4" SHIMS ARE REQUIRED AT EACH ANCHOR LOCATION WHERE THE PRODUCT IS NOT FLUSH TO THE SUBSTRATE. USE SHIMS CAPABLE OF TRANSFERRING APPLIED LOADS. WOOD BUCKS, BY OTHERS, MUST BE SUFFICIENTLY ANCHORED TO RESIST LOADS IMPOSED ON THEM BY THE WINDOW.
- THE ANCHORAGE METHODS SHOWN HAVE BEEN DESIGNED TO RESIST THE WIND LOADS CORRESPONDING TO THE REQUIRED DESIGN PRESSURE. THE 33-1/3% STRESS INCREASE HAS NOT BEEN USED IN THE DESIGN OF THIS PRODUCT. THE 1.6 LOAD DURATION FACTOR WAS USED FOR THE EVALUATION OF ANCHORS INTO WOOD. ANCHORS THAT COME INTO CONTACT WITH OTHER DISSIMILAR MATERIALS SHALL MEET THE REQUIREMENTS OF THE FLORIDA BUILDING CODE FOR CORROSION RESISTANCE.

Window Buck Size	Configuration	Reinf. Level	Design Pressure (+) psf	Design Pressure (-) psf	Certification (CAR) Number
52-1/8" x 84"	Equal-lite				
52-1/8" x 84"	Std. ProView	R1	50.0	50.0	190-285, 1028
52-1/8" x 91-13/16"	Custom Sash				
52-1/8" x 84"	Equal-lite				
52-1/8" x 84"	Std. ProView	R2	65.0	70.0	190-286, 1029
52-1/8" x 91-13/16"	Custom Sash				

SHAPES MAY BE USED BY INSCRIBING THE SHAPE IN A BLOCK AND OBTAINING DESIGN PRESSURES AND ANCHORAGE FOR THAT BLOCK SIZE FROM THE TABLE ON THIS SHEET.

<b>PGT</b>	VINYL SH WINDOW FPA (IMP.-RESIST.)	12/13/14
CERT. OF AUTH. #29296	GENERAL NOTES & ELEVATIONS	J ROSOWSKI
1070 TECHNOLOGY DRIVE N. VENICE, FL 34275 (941)-480-1600	SH-5500	NTS 1 OF 4 FPA-5500.0

A LYNN MILLER, P.E.  
P.E.# 58705

Anchor	Substrate	Min. Edge Distance	Min. Embedment
#10 SMS (steel, 18-8 S.S. or 410 S.S.) Max. DP of 50.0	P.T. Southern Pine (SG=0.55)	7/16"	1-3/8"
	Steel, A36	3/8"	0.050"
	Steel Stud, A653 Gr. 33	3/8"	0.0346" (20 Ga.)
#12 SMS (steel, 18-8 S.S. or 410 S.S.)	Aluminum, 6063-T5	3/8"	0.0713" (14 Ga.)
	P.T. Southern Pine (SG=0.55)	9/16"	1-3/8"
	Steel, A36	3/8"	0.050"
3/16" Ultracon (steel)	Steel Stud, A653 Gr. 33	3/8"	0.0346" (20 Ga.)
	Aluminum, 6063-T5	3/8"	0.0713" (14 Ga.)
	P.T. Southern Pine (SG=0.55)	7/16"	1-3/8"
Max. DP of 50.0	Concrete (min. 2.85 ksi)	1"	1-3/8"
	Ungrouted CMU, (ASTM C-90)	2-1/2"	1-1/4"
	P.T. Southern Pine (SG=0.55)	1"	1-3/8"
1/4" Ultracon (steel)	Concrete (min. 2.85 ksi)	1"	1-3/4"
	Ungrouted CMU, (ASTM C-90)	2-1/2"	1-1/4"
	P.T. Southern Pine (SG=0.55)	1"	1-3/8"
1/4" Crete-Flex (410 S.S.)	Concrete (min. 3.35 ksi)	1"	1-3/4"
	Ungrouted CMU, (ASTM C-90)	2-1/2"	1-1/4"
	Concrete (min. 3.35 ksi)	2-1/2"	1-3/4"
1/4" Aggre-Gator (18-8 S.S.)	Concrete (min. 3.275 ksi)	1-1/2"	1-3/8"
	P.T. Southern Pine (SG=0.55)	1"	1-3/8"
	Ungrouted CMU, (ASTM C-90)	2"	1-1/4"

**ANCHOR NOTES:**

- "UNGROUTED CMU" VALUES MAY BE USED FOR GROUTED CMU APPLICATIONS.
- PANHEAD, FLATHEAD OR HEXHEAD ARE ACCEPTABLE.
- ANCHOR LENGTH TO BE SO THAT A MIN. OF 3 THREADS EXTEND BEYOND THE METAL SUBSTRATE.

**TYP. GLAZING DETAIL**

**REINFORCING TYPE A, B, C**

**GLAZING TYPES**

Reinforcement				
Level	Upper Lite		Lower Lite	
	Bottom Rail	Top Rail	Bottom Rail	Side Rails
R1	B	A	A	A
R2	C	A	A	A

<b>PGT</b>	VINYL SH WINDOW FPA (IMP.-RESIST.)	12/13/14
CERT. OF AUTH. #29296	GLASS/ANCHOR OPTIONS	J ROSOWSKI
1070 TECHNOLOGY DRIVE N. VENICE, FL 34275 (941)-480-1600	SH-5500	NTS 2 OF 4 FPA-5500.0

A LYNN MILLER, P.E.  
P.E.# 58705

**HORIZONTAL SECTION A-A**

**VERTICAL SECTION B-B**

**INSTALLATION NOTES:**

- SEE SHEET 1 FOR SPACING REQUIREMENTS.
- SEE TABLE(S) ON SHEET 2 FOR ANCHORAGE AND SUBSTRATE REQUIREMENTS.
- MAX. SHIM THICKNESS TO BE 1/4".
- GLASS SHOWN IS FOR ILLUSTRATIVE PURPOSES ONLY AND MAY DIFFER TO MEET DESIGN REQUIREMENTS.
- FIN AND/OR FLANGE MAY BE REMOVED TO CREATE OTHER FRAME TYPES.

<b>PGT</b>	VINYL SH WINDOW FPA (IMP.-RESIST.)	12/13/14
CERT. OF AUTH. #29296	FLANGE & EQUAL-LEG/BOX FRAMES	J ROSOWSKI
1070 TECHNOLOGY DRIVE N. VENICE, FL 34275 (941)-480-1600	SH-5500	NTS 3 OF 4 FPA-5500.0

A LYNN MILLER, P.E.  
P.E.# 58705

**HORIZONTAL SECTION C-C**

**VERTICAL SECTION D-D**

**INSTALLATION NOTES:**

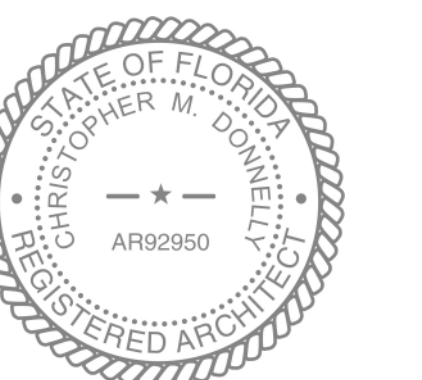
- SEE SHEET 1 FOR SPACING REQUIREMENTS.
- SEE TABLE(S) ON SHEET 2 FOR ANCHORAGE AND SUBSTRATE REQUIREMENTS.
- MAX. SHIM THICKNESS TO BE 1/4".
- GLASS SHOWN IS FOR ILLUSTRATIVE PURPOSES ONLY AND MAY DIFFER TO MEET DESIGN REQUIREMENTS.
- FIN AND/OR FLANGE MAY BE REMOVED TO CREATE OTHER FRAME TYPES.

<b>PGT</b>	VINYL SH WINDOW FPA (IMP.-RESIST.)	12/13/14
CERT. OF AUTH. #29296	J-CHANNEL & INTEGRAL FIN FRAMES	J ROSOWSKI
1070 TECHNOLOGY DRIVE N. VENICE, FL 34275 (941)-480-1600	SH-5500	NTS 4 OF 4 FPA-5500.0

A LYNN MILLER, P.E.  
P.E.# 58705

**SOLOMON FAMILY  
RESIDENCE RENOVATIONS**  
*Fort White, Florida*

PROJECT LOCATION:  
SOLOMON RESIDENCE  
862 SW BLUFF DRIVE  
FORT WHITE, FLORIDA 32038  
FLORIDA ARCHITECT AR 92950



MAY 5, 2023

100% CONSTRUCTION  
DOCUMENTS

PRODUCT  
APPROVALS

**A9.91**

**THERMA TRU**  
THERMA TRU DOORS  
118 INDUSTRIAL DR., EDGEMONT, OH 43817

**3'0" X 6'8"**  
"CLASSIC CRAFT"  
FIBERGLASS SINGLE DOOR  
INSWING / OUTSWING  
"IMPACT"

**GENERAL NOTES**

- This product has been evaluated and is in compliance with the 6th Edition (2017) Florida Building Code (FBC) structural requirements excluding the High Velocity Hurricane Zone (HVHZ).
- Product anchors shall be as listed and spaced as shown on details. Anchor embedment to base material shall be beyond wall chasing or buxco.
- When used in areas requiring wind borne debris protection this product complies with FBC Sections 1609.1.2 & 9031.2.1.2 and does not require an impact resistant covering. This product meets minimum 1" and includes Wind Dam (W.D.) defined in ASTM E1996 and FBC Sections 1609.1.2.2 & 9031.2.1.2.1.
- For 2x stud framing construction, anchoring of these units shall be the same as that shown for 2x back masonry construction.
- Site conditions that deviate from the details of this drawing require further engineering analysis by a licensed engineer or registered architect.

**TABLE OF CONTENTS**

SHEET #	DESCRIPTION
1	Typical elevations, design pressures & general notes
2	Door panel details
3	Horizontal cross sections
4	Vertical cross sections
5	Back and frame fasteners - 2x back masonry construction
6	Frame anchoring - 1" buxco masonry construction
7	Bill of Materials & Components

**SWING**

SWING	OVERALL FRAME DIMENSION	DESIGN PRESSURE (PSF)
INSWING	37.5" x 82.1"	+47.0 -47.0
OUTSWING	37.5" x 80.4"	+47.0 -47.0

DATE: 4/23/23  
SCALE: N.T.S.  
DWG. NO.: AL  
REV. NO.: LFS  
PROJECT NO.: FL-5891.3  
SHEET 2 OF 7

**1 HORIZONTAL CROSS SECTION**  
2 VERTICAL CROSS SECTION

Labels: 41 DOOR PANEL, 42 DOOR TOP RAIL, 43 LATCH STRIKE, 44 HINGE STRIKE, 45 DOOR BULB RAIL.

DATE: 4/23/23  
SCALE: N.T.S.  
DWG. NO.: AL  
REV. NO.: LFS  
PROJECT NO.: FL-5891.3  
SHEET 2 OF 7

**1 HORIZONTAL CROSS SECTION**  
2 HORIZONTAL CROSS SECTION

Labels: 19 HINGE DETAIL, 20 LATCH & DEADBOLT DETAIL, 21 HINGE DETAIL, 22 HINGE DETAIL.

DATE: 4/23/23  
SCALE: N.T.S.  
DWG. NO.: AL  
REV. NO.: LFS  
PROJECT NO.: FL-5891.3  
SHEET 3 OF 7

**1 VERTICAL CROSS SECTION**  
2 VERTICAL CROSS SECTION

Labels: 30 HINGE DETAIL, 31 HINGE DETAIL, 32 HINGE DETAIL, 33 HINGE DETAIL.

DATE: 4/23/23  
SCALE: N.T.S.  
DWG. NO.: AL  
REV. NO.: LFS  
PROJECT NO.: FL-5891.3  
SHEET 4 OF 7

**CONCRETE ANCHOR NOTES:**

- Concrete anchor locations of the corner may be adjusted to maintain the min. edge distance to masonry joints.
- Concrete anchor locations noted as "MAX. ON CENTER" must be adjusted to maintain the min. edge distance to masonry joints. Additional concrete anchors may be required to ensure the "MAX. ON CENTER" dimension are not exceeded. Concretely anchor notes.

ANCHOR TYPE	ANCHOR SIZE	MIN. EMBEDMENT	MIN. CLEARANCE TO MASONRY EDGE	MIN. CLEARANCE TO ADJACENT ANCHOR
TW	1/4"	1-1/4"	2"	4"
ECCO	1/4"	1-1/4"	1"	4"
ULTRACON	1/4"	1-1/4"	1"	4"

**WOOD SCREW INSTALLATION NOTES:**

- Maintain a minimum 2x6 edge distance, 1" end distance, & 1" o.c. spacing of wood screws to prevent the splitting of wood.

DATE: 4/23/23  
SCALE: N.T.S.  
DWG. NO.: AL  
REV. NO.: LFS  
PROJECT NO.: FL-5891.3  
SHEET 5 OF 7

**CONCRETE ANCHOR NOTES:**

- Concrete anchor locations of the corner may be adjusted to maintain the min. edge distance to masonry joints.
- Concrete anchor locations noted as "MAX. ON CENTER" must be adjusted to maintain the min. edge distance to masonry joints. Additional concrete anchors may be required to ensure the "MAX. ON CENTER" dimension are not exceeded. Concretely anchor notes.

ANCHOR TYPE	ANCHOR SIZE	MIN. EMBEDMENT	MIN. CLEARANCE TO MASONRY EDGE	MIN. CLEARANCE TO ADJACENT ANCHOR
TW	1/4"	1-1/4"	2"	4"
ECCO	3/16"	1-1/4"	2"	1-1/2"
ULTRACON	3/16"	1-1/4"	2"	1-1/2"

**WOOD SCREW INSTALLATION NOTES:**

- Maintain a minimum 2x6 edge distance, 1" end distance, & 1" o.c. spacing of wood screws to prevent the splitting of wood.

DATE: 4/23/23  
SCALE: N.T.S.  
DWG. NO.: AL  
REV. NO.: LFS  
PROJECT NO.: FL-5891.3  
SHEET 6 OF 7

**BILL OF MATERIALS**

ITEM	DESCRIPTION	MATERIAL
A	1x BLACK SG >= 0.55	WOOD
B	2x BLACK SG >= 0.55	WOOD
C	2x 1x4 1/2 SHIM SPACE	WOOD
D	1/4" x 2-3/4" PH ECCO OR TW CONCRETE SCREW	STEEL
E	MASONRY - 3000 PSI MIN. CONCRETE CONFORMING TO ACI 308 OR HOLLOW BLOCK CONFORMING TO ASTM C90	CONCRETE
F	3/16" x 3-1/4" PH TW CONCRETE SCREW	STEEL
G	1/2" x 3-1/4" PH TW CONCRETE SCREW	STEEL
H	1/4" x 3-3/4" PH TW CONCRETE SCREW	STEEL
I	3/8 x 2-1/2" PH WOOD SCREW (1-1/2" MIN. EMBEDMENT)	STEEL
J	#10 x 7" MIN WOOD SCREW	STEEL
K	SHORT REACH COMPRESSION WEATHERSTRIP	FOAM
L	LONG REACH COMPRESSION WEATHERSTRIP	FOAM
M	1/4" x 4" HINGE 89" TRL	STEEL
N	#10 x 3/4" PH WOOD SCREW	STEEL
O	KWIKSET SIGNATURE SERIES PASSAGE LOCK	STEEL
P	LOW PROFILE OUTSWING BUM FACE THRESHOLD	ALUMINUM
Q	HEADER JAMB (P.N.E. S.G. >= D42)	WOOD
R	SIDE JAMB (P.N.E. S.G. >= D42)	WOOD
S	KWIKSET SIGNATURE SERIES (TS) DEADBOLT	STEEL
T	LATCH STRIKE PLATE	STEEL
U	BRASSKIT PLATE	STEEL
V	DOOR BOTTOM SWEEP	PVC
W	SELF ADJUSTING INSWING SADDLE THRESHOLD	ALUMINUM COMP.
X	FIBERGLASS DOOR PANEL - CLASSIC CRAFT	FIBERGLASS
Y	CC DOOR SKIN .098" MIN. THK. FIBERGLASS BY THERMA-TRU WITH YIELD STRENGTH (Y) (MIN.) = 6000 PSI	SMC
Z	TOP RAIL	COMPOSITE
AA	LATCH STRIKE	LVL WOOD
AB	HINGE STRIKE	WOOD
AC	DOOR BULB RAIL	COMPOSITE
AD	POLYURETHANE FOAM CORE: 1.9 LBS. DENSITY	FOAM

**NOTE:** WOOD LEVEL COMPONENTS (DAX CAP, PINE CORE: SG >= D42)

DATE: 4/23/23  
SCALE: N.T.S.  
DWG. NO.: AL  
REV. NO.: LFS  
PROJECT NO.: FL-5891.3  
SHEET 7 OF 7

**Installation Instructions**

Start at bottom corner of structure to ensure proper shingling throughout the installation. Proper shingling is required to shed water and to prevent water from entering the wall system. Printed stud marks are available on some DuPont™ Tyvek® WRBs to aid in aligning with the studs (e.g. studmarks are 8" apart for DuPont™ Tyvek® HomeWrap®).

- STEP 1**  
Align roll at bottom corner of structure. Roll should be plumb. Bottom edge of roll must:
- extend over sill plate interface by at least 1" (2" or greater is recommended)
  - extend to bottom of sill plate for slab on grade foundations, etc.
  - be properly integrated with water drainage components such as kick-out flashing or weep screed (for stucco exteriors).
- When bottom edge of roll is less than 2" over the sill plate interface, it is recommended to seal or slip-seal the DuPont™ Tyvek® WRB at the bottom of the wall.

- STEP 2**  
UNWRAP roll starting at corner. Overlap all vertical seams by 6-12".

- STEP 3**  
Secure DuPont™ Tyvek® WRB to the stud or other nailbase material, i.e., wood sheathing. Fasteners should be spaced no closer than 6" and no farther than 16" on vertical stud lines. Securing along stud lines will assist in maintaining fastening pattern. Penetrating bandboard or other horizontal members may be necessary to maintain fastening pattern. Do not install fasteners within 6" of the sills and jamb and within 3" of the head of the window rough openings. Use one or more of the recommended fasteners below for use with DuPont™ Tyvek® WRBs:
- DuPont™ Tyvek® Wtap Cap nails
  - DuPont™ Tyvek® Wtap Cap screws
  - DuPont™ Tyvek® Wtap Cap staples or other cap staples for Slinger™ Cap Stapler\*\*
  - Other manufacturers' equivalent fasteners.

Please see "Special Considerations" section above for equivalent fastener requirements and "Temporary Fastening" section below for more information on alternative fastening schedules and requirements.

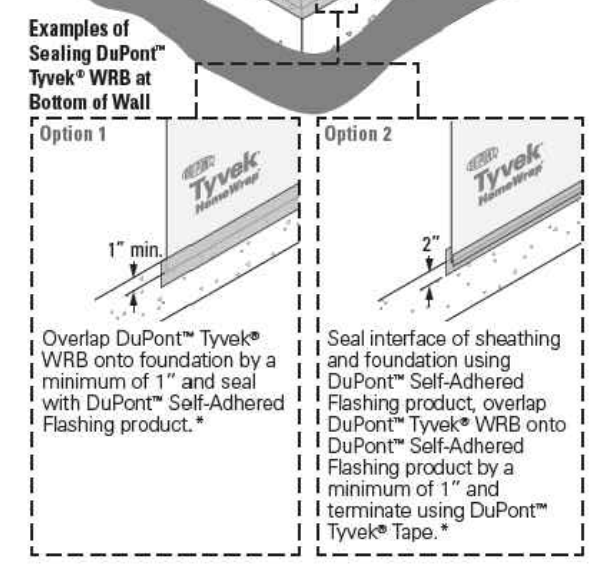
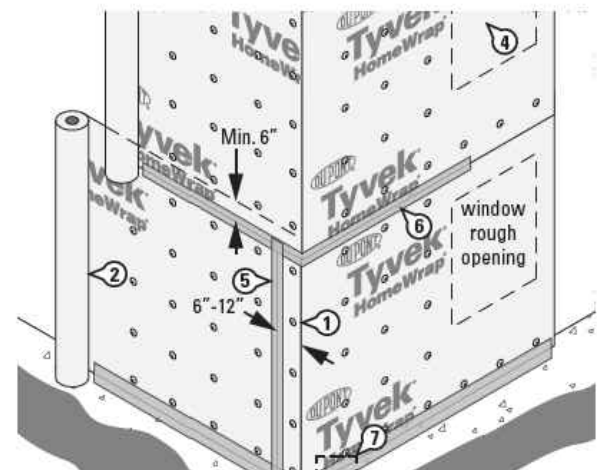
\*\*Use DuPont™ Self-Adhered Flashing products with DuPont™ Adhesive/Primer (or recommended primer) as applicable to seal the DuPont™ Tyvek® WRB directly to concrete, wood, or other rough surfaces. The DuPont™ Tyvek® WRB can also be sealed to rough surfaces using DuPont™ Residential Sealant (or recommended sealant).

- STEP 4**  
Unroll directly over windows and doors. Upper layer of DuPont™ Tyvek® WRB should overlap bottom layer by a minimum of 6". **NOTE:** If windows are already installed, the DuPont™ Tyvek® WRB must be integrated with window flashing using proper shingling. If DuPont™ FlexWrap™ NF and apron are used according to the DuPont™ Self-Adhered Flashing Systems Installation Guidelines, Installation Instructions for Windows and Doors BEFORE Water-Resistive Barrier (WRB) is installed, install the DuPont™ Tyvek® WRB under the apron to ensure proper shingling. If non-self-adhered sill flashing is used, install the DuPont™ Tyvek® WRB under the bottom of the sill flashing to maintain proper shingling. In either case, follow the steps included in the DuPont™ Flashing Systems Integration section below to tie the DuPont™ Tyvek® WRB into the flashing.

- STEP 5**  
Tape all vertical seams with DuPont™ Tyvek® Tape. If the DuPont™ Tyvek® WRB is not being installed as an air barrier, DuPont™ Tyvek® Tape is not required on horizontal seams but is considered a recommended best practice. Use 3" DuPont™ Tyvek® Tape for the horizontal seams of DuPont™ Tyvek® StuccoWrap® and DuPont™ Tyvek® DrainWrap™. Use DuPont™ Tyvek® Metalized Tape when taping DuPont™ Tyvek® ThemaWrap™ LE.

- STEP 6 (For Air Barrier Installations)**  
When installing as an air barrier, the horizontal seams must be taped. The use of 3" DuPont™ Tyvek® Tape is required for both vertical and horizontal seams of DuPont™ Tyvek® StuccoWrap® and DuPont™ Tyvek® DrainWrap™ for air barrier installations.
- STEP 7 (For Air Barrier Installations)**  
Taping or sealing all terminations of DuPont™ Tyvek® WRBs (including, but not limited to, roof-wall and bottom of the wall interface) using DuPont™ Tyvek® Tape, DuPont™ Residential Sealant (or recommended sealant), DuPont™ StraightFlash™, or DuPont™ Flashing Tape is required when installing as an air barrier.

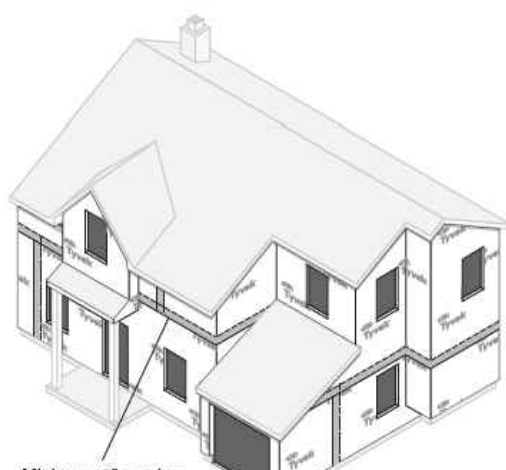
\*\*Except when installing DuPont™ Tyvek® WRB over foam and other non-nail-base sheathings.



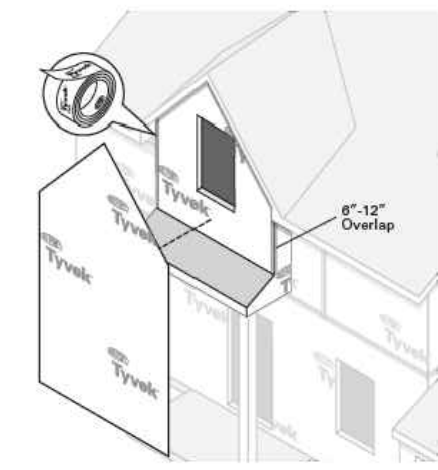
**STEP 8**  
After DuPont™ Tyvek® WRB is installed refer to the DuPont™ Self-Adhered Flashing Systems Installation Guidelines, Installation Instructions for Windows and Doors AFTER Water-Resistive Barrier (WRB) is installed to prepare and flash windows and doors.

**Continuity**

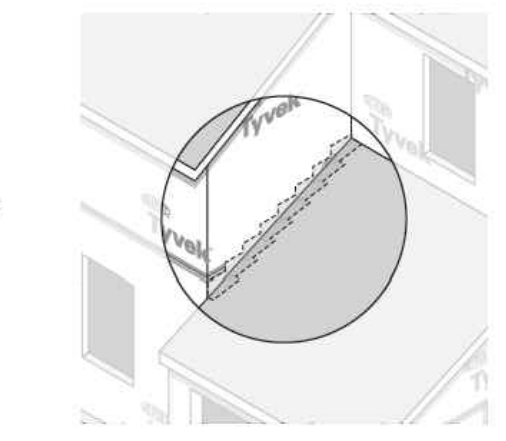
It is important to maintain the continuity of the DuPont™ Tyvek® WRB from bottom to top with proper shingling. Starting from the bottom of the structure, continue wrapping all the way up, overlapping the previous layer of DuPont™ Tyvek® WRB by a minimum of 6". Wrap the entire wall surface including unconditioned spaces.



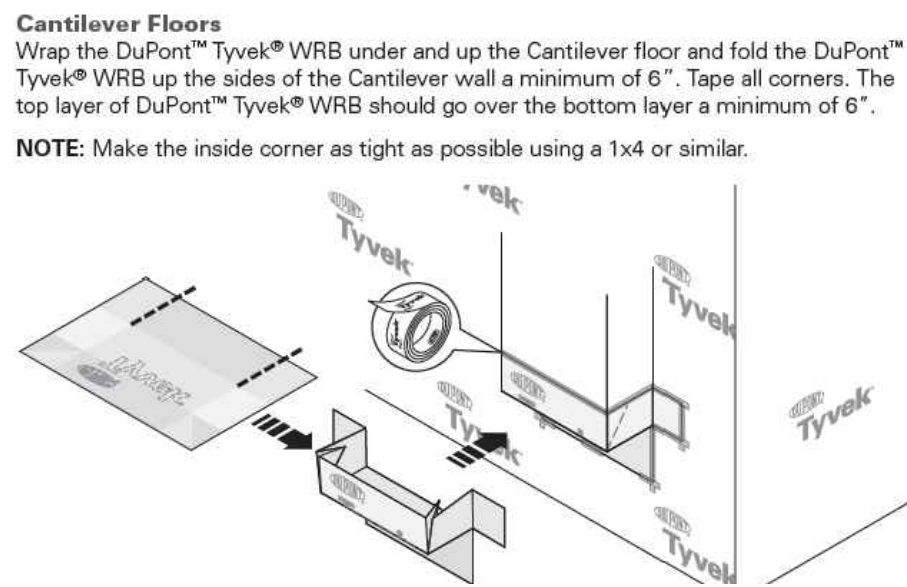
**Gable Ends**  
Completely cover the Gable End with the DuPont™ Tyvek® WRB including a 6" x 12" overlap at each corner. Cut away the excess WRB and tape all seams.



**Terminations**  
Lap DuPont™ Tyvek® WRB over all flashing (e.g. step flashing, wall to roof intersections and through wall flashings).



Weep screeds and expansion joints need to be integrated with flashings and the DuPont™ Tyvek® WRB.



**Cantilever Floors**  
Wrap the DuPont™ Tyvek® WRB under and up the Cantilever floor and fold the DuPont™ Tyvek® WRB up the sides of the Cantilever wall a minimum of 6". Tape all corners. The top layer of DuPont™ Tyvek® WRB should go over the bottom layer a minimum of 6".

**NOTE:** Make the inside corner as tight as possible using a 1x4 or similar.

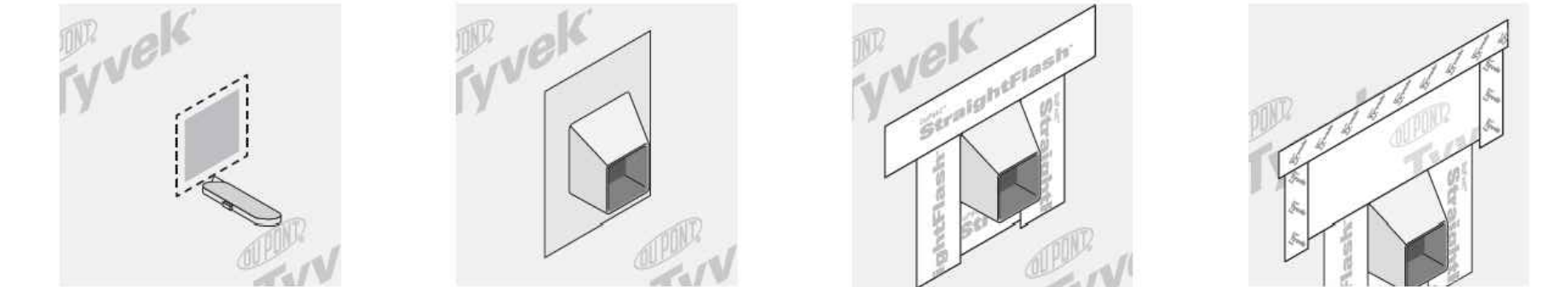
**Penetrations**

Seal around plumbing pipes, HVAC components, electrical outlets, exterior lights, flashing panels, and other objects that penetrate the DuPont™ Tyvek® WRB. Always use positive shingling by installing DuPont™ Tyvek® WRBs and Self-Adhered Flashing products from bottom to top, with upper layer installed over lower layer.

**OPTIONAL LAST STEP FOR ALL INSTALLATIONS:** Install a piece of DuPont™ Tyvek® WRB and seal with DuPont™ Tyvek® Tape to overlap the top edge of the DuPont™ Self-Adhered Flashing product (shown in Method 1 below).

**Flashing Integral Flanged Products Installed AFTER DuPont™ Tyvek® WRB**

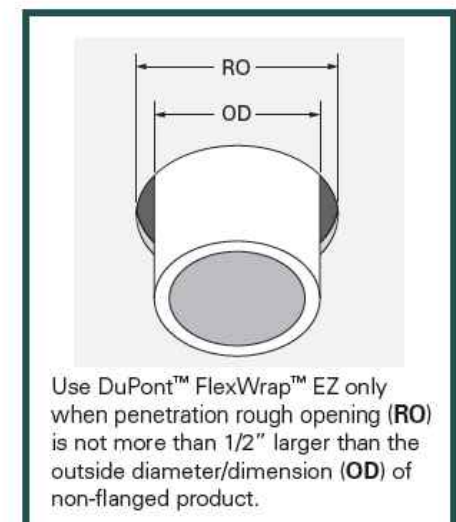
Method 1



- STEP 1**  
Install DuPont™ Tyvek® WRB and cut as necessary to accommodate integral flanged product.
- STEP 2**  
Install integral flanged product per manufacturer's instructions.
- STEP 3**  
Install DuPont™ Self-Adhered Flashing onto sides and top flange, extending onto DuPont™ Tyvek® WRB by a minimum of 2". **NOTE:** Also install at bottom flange as a recommended best practice and for air barrier installations.
- STEP 4 (OPTIONAL)**  
Install DuPont™ Tyvek® WRB to overlap the top edge of the DuPont™ Self-Adhered Flashing. Seal sides and top with DuPont™ Tyvek® Tape.

**Flashing Non-Flanged Products - Installed AFTER DuPont™ Tyvek® WRB**

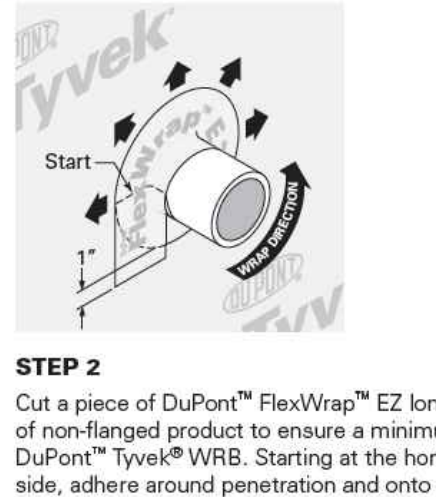
Method 1: Flashing Non-Flanged Products Using DuPont™ FlexWrap™ EZ



**For non-flanged products with OD GREATER than 2"**



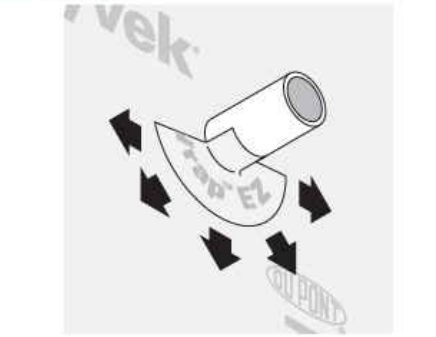
- STEP 1**  
Install DuPont™ Tyvek® WRB over non-flanged product and cut around penetration.



**For non-flanged products with OD LESS than 2"**



- STEP 1**  
Install DuPont™ Tyvek® WRB over non-flanged product and cut around penetration.



- STEP 2**  
Cut a piece of DuPont™ FlexWrap™ EZ the length of 1/2 the circumference of the non-flanged product. Adhere onto bottom section and fan out onto DuPont™ Tyvek® WRB.

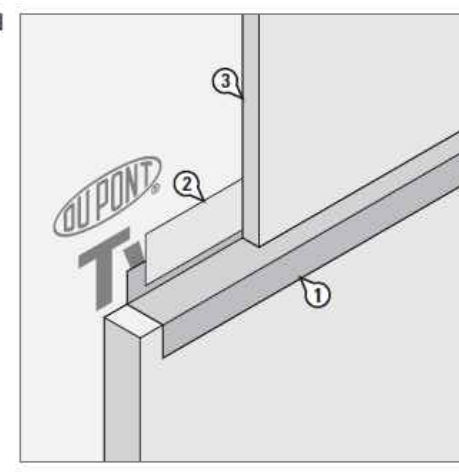


- STEP 3**  
Cut a second piece of DuPont™ FlexWrap™ EZ the length of 1/2 the circumference of the pipe circumference. Adhere onto top section and fan out onto face of wall with a minimum of 1" overlap of the edges of

**Installation of Metal Flashing at Façade Transitions**

**Option 1: Metal Flashing Terminated onto DuPont™ Tyvek® WRB**

- STEP 1**  
Install the "Z" or "L" metal flashing over the lower façade and onto the DuPont™ Tyvek® WRB with mechanical fasteners or DuPont™ Adhesive/Primer.
- NOTE:** Do not install DuPont™ Tyvek® WRB fasteners where the metal flashing or DuPont™ Self-Adhered Flashing products will be installed.



- STEP 2**  
Terminate the vertical leg of the metal flashing to DuPont™ Tyvek® WRB with DuPont™ Self-Adhered Flashing product so there is a minimum of 2" adhesion onto the DuPont™ Tyvek® WRB.

- STEP 3**  
Install the upper façade according to the manufacturer's instructions.

**Option 2: Metal Flashing Terminated onto Sheathing**

- STEP 1**  
Install the first course of DuPont™ Tyvek® WRB so it extends a minimum of 2" beyond where the top edge of the lower façade will be located.

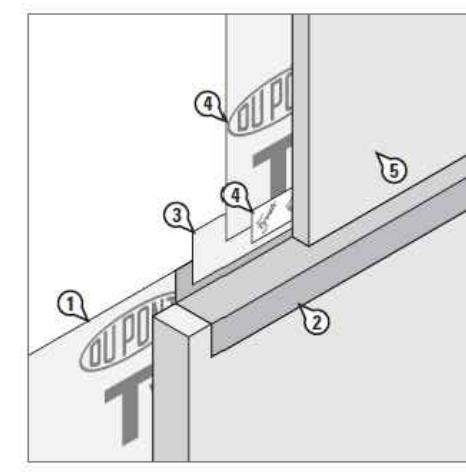
**NOTE:** Do not install DuPont™ Tyvek® WRB fasteners where the metal flashing or DuPont™ Self-Adhered Flashing products will be installed.

- STEP 2**  
Install the "Z" or "L" metal flashing along the top edge of the lower façade with the vertical leg overlapping the DuPont™ Tyvek® WRB.

- STEP 3**  
Terminate the vertical leg of the metal flashing directly to the sheathing with DuPont™ Self-Adhered Flashing product with minimum of 2" adhesion onto the sheathing.

- STEP 4**  
Install the next course of DuPont™ Tyvek® WRB to overlap the DuPont™ Self-Adhered Flashing products by a minimum of 2" and seal with DuPont™ Tape or DuPont™ Residential Sealant.

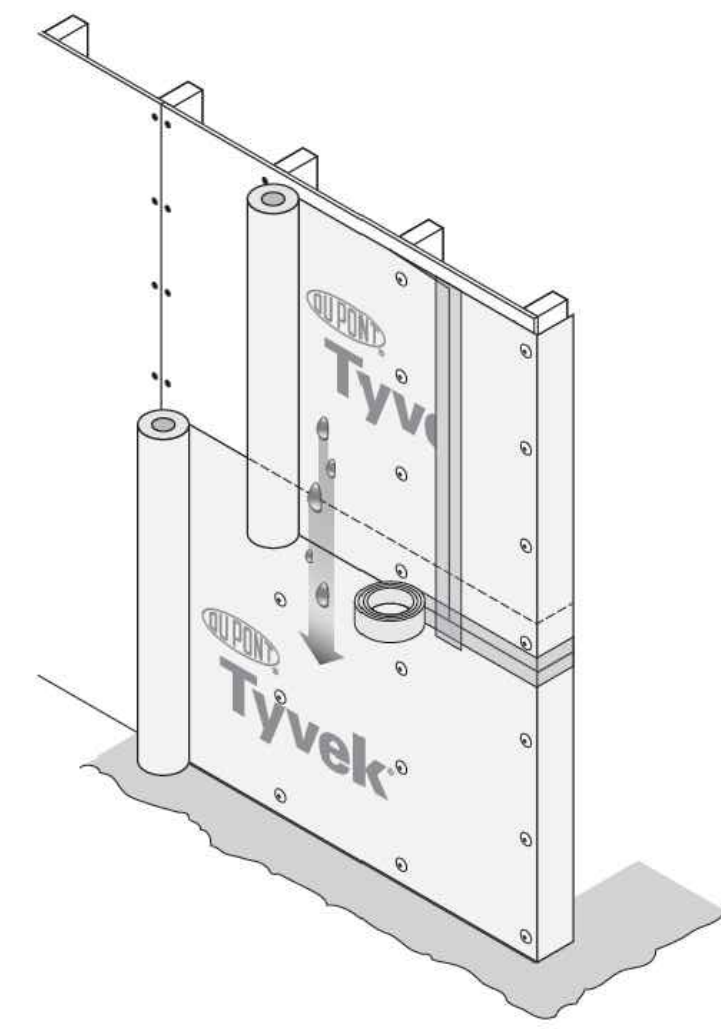
- STEP 5**  
Install upper façade according to the manufacturer's instructions.



**Proper Overlap for Water Management**

- A. Lap all components from bottom of the wall to the top of the wall.  
B. Treat the walls of the building just like a roof.

**NOTE:** In order to make a claim under the DuPont 10-Year Limited Product and Labor Warranty on DuPont Weatherization Products, you must have met all of the terms and conditions of the warranty, including use of the applicable DuPont Installation Guidelines. In the event that a specific detail or installation technique is not covered in the DuPont Installation Guidelines at the time you are building, then the Key Installation Requirements outlined in this document must have been followed in order to make a claim under the warranty. Compliance prior, during and post construction with the Key Installation Requirements are at the sole discretion of DuPont. Please contact DuPont or a DuPont™ Tyvek® Specialist if you have any questions in connection with any DuPont Installation Guidelines.



Copyright ©2019 E. I. du Pont de Nemours and Company. All Rights Reserved. K16282 Rev. 01/19

22

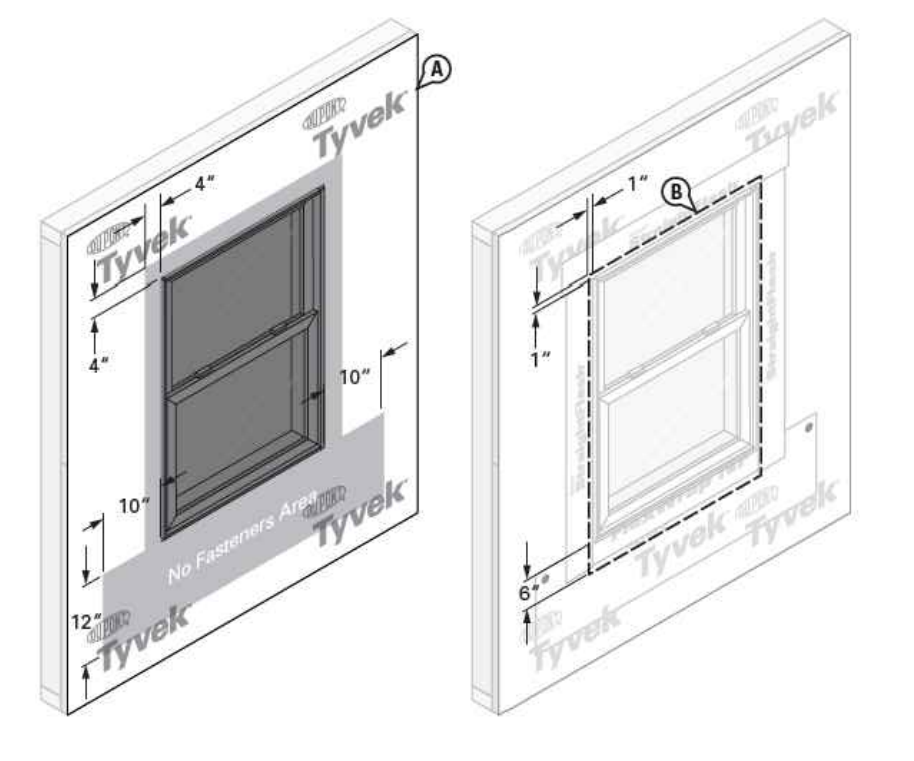
**DuPont Flashing Systems Integration**

If windows and doors have not been installed, reference the DuPont™ Self-Adhered Flashing Systems Installation Guidelines, Installation Instructions for Windows and Doors AFTER Water-Resistive Barrier (WRB) is installed to prepare the rough opening.

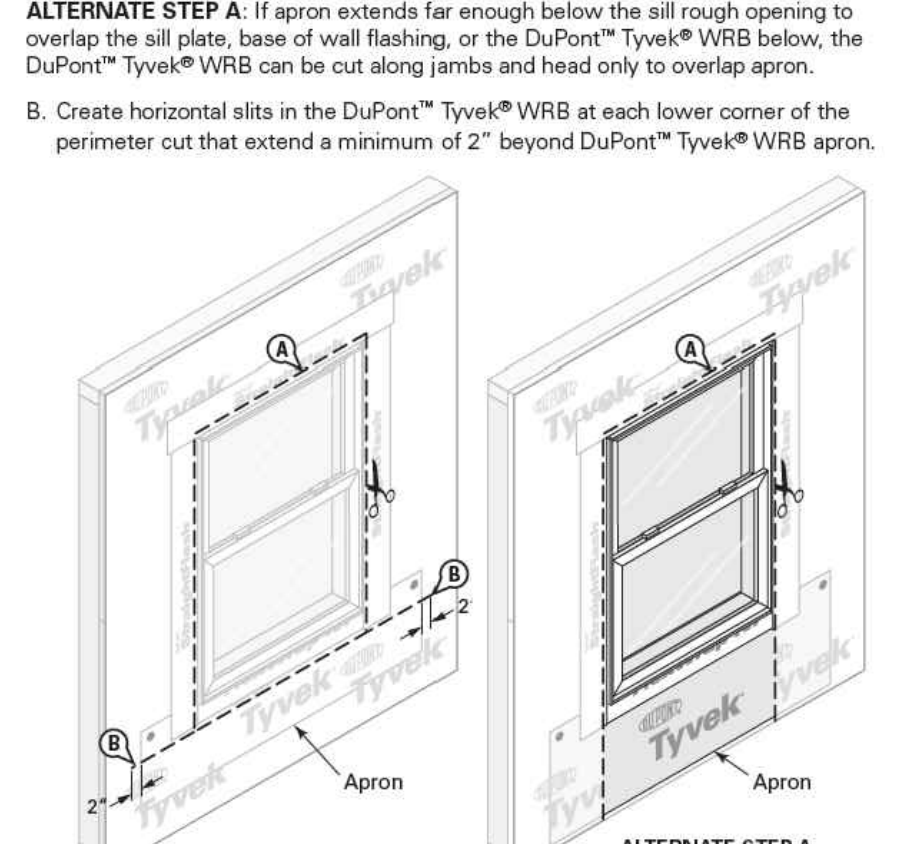
If windows and doors will be installed before the WRB, then follow these last 4 integration steps to tie the DuPont™ Tyvek® WRB into the flashing.

- STEP 1**  
A. Install flashing and the window or door following the steps detailed in the DuPont™ Self-Adhered Flashing Systems Installation Guidelines, Installation Instructions for Windows and Doors BEFORE Water-Resistive Barrier (WRB) is installed.

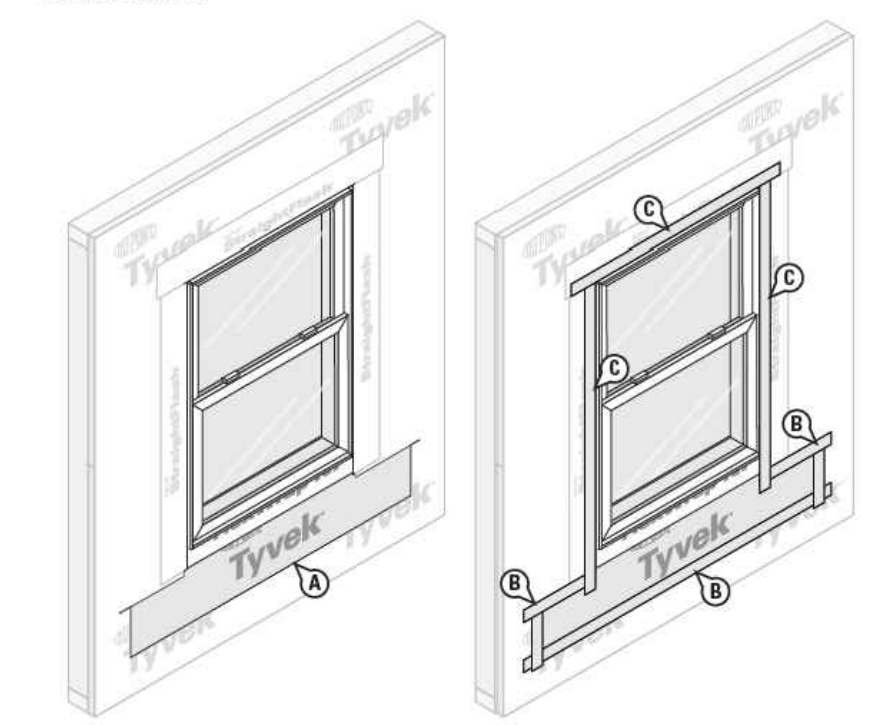
- STEP 2**  
A. Install the DuPont™ Tyvek® WRB. Do not install fasteners within 4" of the window frame at jamb and head, and within 12" of the window frame at sill or location of apron.  
B. Mark a perimeter on the DuPont™ Tyvek® WRB around the rough opening a minimum of 1" from the jamb and head of the window frame, and 6" below the sill of the window frame.



- STEP 3**  
A. Cut the DuPont™ Tyvek® WRB along perimeter marking to expose window. Do not cut through the DuPont™ Self-Adhered Flashing products or DuPont™ Tyvek® WRB apron underneath.  
**ALTERNATE STEP A:** If apron extends far enough below the sill rough opening to overlap the sill plate, base of wall flashing, or the DuPont™ Tyvek® WRB below, the DuPont™ Tyvek® WRB can be cut along jamb and head only to overlap apron.  
B. Create horizontal slits in the DuPont™ Tyvek® WRB at each lower corner of the perimeter cut that extend a minimum of 2" beyond DuPont™ Tyvek® WRB apron.



- STEP 4**  
A. Bring the bottom portion of the DuPont™ Tyvek® WRB apron through the sill perimeter cut and horizontal slits so it laps over the top layer of DuPont™ Tyvek® WRB.  
B. Working from bottom to top, install DuPont™ Tyvek® Tape to secure horizontal and vertical seams of DuPont™ Tyvek® WRB apron.  
C. Install DuPont™ Tyvek® Tape along jamb and head to seal DuPont™ Tyvek® WRB around window.



Copyright ©2019 E. I. du Pont de Nemours and Company. All Rights Reserved. K16282 Rev. 01/19

18

17

