

GENERAL NOTES

FABRICATION SHALL BE IN ACCORDANCE WITH ELITE STRUCTURES STANDARD PRACTICES AND IN COMPLIANCE WITH THE APPLICABLE SECTIONS, RELATING TO DESIGN REQUIREMENTS AND ALLOWABLE STRESSES OF THE LATEST EDITION OF THE 'AWS STRUCTURAL WELDING CODE D 1.1 AND D1.3'

MATERIALS	ASTM DESIGNATION	MIN. YIELD STRENGTH	MIN. TENSILE STRENGTH
HOT ROLLED STEEL SHAPES	A572	FY = 50 KSI	FU = 60 KSI
STEEL PIPES	A500	FY = 42 KSI	FU = 52 KSI
STRUCTURAL TUBING	A500	FY = 46 KSI	FU = 56 KSI
STRUCTURAL STEEL WEB PLATE	A572/A1011	FY = 50 KSI	FU = 60 KSI
STRUCTURAL STEEL FLANGE PLATES/BARS	A36/A572	FY = 50 KSI	FU = 60 KSI
COLD FORM LIGHT GAUGE	A653/A1011	FY = 50, 55 KSI	FU = 60, 65 KSI
ROOF AND WALL SHEETS	A792/A653	FY = 50, 60 KSI	FU = 60, 70 KSI
CABLE BRACE	A475 - TYPE1	EXTRA HIGH STRENGTH	FU = 100 KSI
ROD BRACE	A36	FY = 36 KSI	FU = 48 KSI
MILL SECTIONS	A36	FY = 36 KSI	FU = 48 KSI
MACHINE BOLTS & NUTS	A307	FU = 60 KSI	
HIGH STRENGTH BOLTS (1/2" DIA. & LESS)	A325 - TYPE 1	FU = 120 KSI	
HIGH STRENGTH BOLTS (3/4" TO 1-1/2")	A325 - TYPE 1	FU = 105 KSI	
ANCHOR BOLTS (IF SUPPLIED)	F1554 - GR36		

CLOSURE STRIPS ARE FURNISHED ONLY IF NOTED ON SHIPPING DOCUMENTS

INSIDE - UNDER ROOF PANELS AT EAVE
 OUTSIDE - BETWEEN END WALL PANELS AND RAKE TRIM
 UNDER CONTINUOUS RIDGE VENT SKIRTS

ERECTION NOTE:

ALL BRACING, STRAPPING, & BRIDGING SHOWN AND PROVIDED BY ELITE STRUCTURES FOR THIS BUILDING IS REQUIRED AND SHALL BE INSTALLED BY THE ERECTOR AS A PERMANENT PART OF THE STRUCTURE. IF ADDITIONAL BRACING IS REQUIRED FOR STABILITY DURING ERECTION, IT SHALL BE THE ERECTOR'S RESPONSIBILITY TO DETERMINE THE AMOUNT OF SUCH BRACING AND TO PROVIDE AND INSTALL AS NEEDED.

ERECTION AND UNLOADING **NOT** BY ELITE STRUCTURES

SHORTAGES:

ANY CLAIMS OR SHORTAGES BY BUYERS MUST BE MADE TO ELITE STRUCTURES AT TIME OF DELIVERY, OR SUCH CLAIMS SHALL BE CONSIDERED WAIVED BY THE CUSTOMER AND DISALLOWED IF MATERIAL IS SHOWN DELIVERED

CORRECTIONS OF ERRORS AND REPAIRS (MBMA 6.10):

CLAIMS FOR CORRECTIONS OF ALLEGED MISFITS WILL BE DISALLOWED UNLESS ELITE STRUCTURES SHALL HAVE RECEIVED PRIOR NOTICE THEREOF AND ALLOWED REASONABLE INSPECTION OF SUCH MISFITS; THE CORRECTION OF MINOR MISFITS BY THE USE OF DRIFT PINS TO DRAW THE COMPONENTS INTO LINE, MODERATE AMOUNTS OF REAMING, CHIPPING AND CUTTING, AND THE REPLACEMENT OF MINOR SHORTAGES OF MATERIAL ARE A NORMAL PART OF ERECTION AND ARE NOT SUBJECT TO CLAIM.

A-325 BOLT TIGHTENING REQUIREMENTS:

ALL BOLTED JOINTS WITH A325 OR TYPE 1 BOLTS ARE SPECIFIED AS SNUG-TIGHTENED JOINTS IN ACCORDANCE WITH THE SPECIFICATION FOR STRUCTURAL JOINTS USING ASTM A325 OR A490 BOLTS, JUNE 30, 2004, PRETENSIONING METHODS, INCLUDING TURN-OF-NUT CALIBRATED WRENCH/TWIST OFF TYPE TENSION CONTROL BOLTS OR DIRECT TENSION INDICATOR ARE NOT REQUIRED. INSTALLATION INSPECTION REQUIREMENTS FOR SNUG TIGHT (SPECIFICATION FOR STRUCTURAL JOINTS 9.1) IS SUGGESTED.

REFERENCED STEEL CONSTRUCTION MANUAL
 AMERICAN INSTITUTE OF STEEL CONSTRUCTION INC.
 THIRTEENTH EDITION (AISC)

FLORIDA PRODUCT APPROVAL NUMBER - ELITE STRUCTURES 26 GAUGE PBR PANEL

WALL PANEL 26 GA PBR PANEL FL27502
 ROOF PANEL 26 GA PBR PANEL FL27503

N.D.A APPROVAL NUMBER

WALL 24 GA PBR PANEL 01-0417.12
 ROOF 24 GA PBR PANEL 96-0529

TELL 3070 WALK DOOR FL APPROVAL #

3070 WIND RATED WALK DOOR 22211.1

401 OLD QUITMAN RD.
 ADEL, GA. 31620
 229-896-7569

Psalm 91

DATE: 5/14/25

BUYER/CUSTOMER RESPONSIBILITIES

APPROVAL OF ELITE STRUCTURES DRAWINGS AND CALCULATIONS INDICATES THAT ELITE STRUCTURES HAS CORRECTLY INTERPRETED AND APPLIED THE CONTRACT DOCUMENTS. THIS APPROVAL CONSTITUTES THE CONTRACTOR/OWNER ACCEPTANCE OF THE ELITE STRUCTURES DESIGN CONCEPTS, ASSUMPTIONS, AND LOADING. SECTION 4 AISC CODE 9TH EDITION AND MBMA 3.3.3

ONCE THE BUYER/END USER CUSTOMER HAS SIGNED ELITE STRUCTURES APPROVAL PACKAGE AND THE PROJECT IS RELEASED FOR FABRICATION, CHANGES SHALL BE BILLED TO THE BUYER/END USER CUSTOMER INCLUDING MATERIAL, ENGINEERING AND OTHER COSTS. AN ADDITIONAL FEE MAY BE CHARGED IF THE PROJECT MUST BE MOVED FROM THE FABRICATION AND SHIPPING SCHEDULE.

THE BUYER/END USER CUSTOMER IS RESPONSIBLE FOR OVERALL PROJECT COORDINATION, ALL INTERFACE, COMPATIBILITY AND DESIGN CONSIDERATIONS CONCERNING ANY MATERIAL NOT FURNISHED BY ELITE STRUCTURES ARE TO BE CONSIDERED AND COORDINATED BY THE BUYER/END USER CUSTOMER. SPECIFIC DESIGN CRITERIA CONCERNING THIS INTERFACE BETWEEN MATERIALS MUST BE FURNISHED BEFORE RELEASE FOR FABRICATION OR ELITE STRUCTURES ASSUMPTIONS WILL GOVERN SECTION 4 AND COMMENTARY, AISC CODE OF STANDARD 9TH EDITION.

IT IS THE RESPONSIBILITY OF THE BUYER/END CUSTOMER TO INSURE THAT ELITE STRUCTURES PLANS COMPLIES WITH THE APPLICABLE REQUIREMENTS OF ANY GOVERNING BUILDING AUTHORITIES. THE SUPPLYING OF SEALED ENGINEERING DATA AND DRAWINGS FOR THE METAL BUILDING SYSTEM DOES NOT IMPLY OR CONSTITUTE AN AGREEMENT THAT ELITE STRUCTURES OR ITS DESIGN ENGINEERS ARE ACTING AS THE ENGINEER OF RECORD OR DESIGN PROFESSIONAL FOR A CONSTRUCTION PROJECT. THESE DRAWINGS ARE SEALED ONLY TO CERTIFY THE DESIGN OF THE STRUCTURAL COMPONENTS FURNISHED BY ELITE STRUCTURES.

THE BUYER/ END USER CUSTOMER IS RESPONSIBLE FOR SETTING OF ANCHOR BOLTS AND ERECTION OF THE STEEL IN ACCORDANCE WITH ELITE STRUCTURES 'FOR CONSTRUCTION' DRAWINGS ONLY. TEMPORARY SUPPORTS SUCH AS GUYS, BRACES, FALSEWORK, CRIBBING OR OTHER ELEMENTS REQUIRED FOR ERECTION OPERATION SHALL BE DETERMINED, FURNISHED AND INSTALLED BY ERECTOR. NO ITEMS SHOULD BE PURCHASED FROM A PRELIMINARY SET OF DRAWINGS, INCLUDING ANCHOR BOLTS, USE ONLY FINAL 'FOR CONSTRUCTION DRAWINGS' FOR THE USE.

ELITE STRUCTURES IS RESPONSIBLE FOR THE DESIGN OF THE ANCHOR BOLTS TO PERMIT THE TRANSFER OF FORCES BETWEEN THE BASE PLATE AND ANCHOR BOLT IN SHEAR, BEARING AND TENSION, BUT IS NOT RESPONSIBLE FOR THE TRANSFER OF ANCHOR BOLT FORCES TO THE CONCRETE OR THE ADEQUACY OF THE ANCHOR BOLT IN RELATION TO THE CONCRETE.

UNLESS OTHERWISE PROVIDED IN THE ORDER DOCUMENT, ELITE STRUCTURES DOES NOT DESIGN AND IS NOT RESPONSIBLE FOR THE DESIGN, MATERIAL, AND CONSTRUCTION OF THE FOUNDATION OR FOUNDATION ENGEMENT. THE END USER CUSTOMER SHOULD ASSURE WHEREAS THAT ADEQUATE PROVISIONS ARE MADE IN THE FOUNDATION DESIGN FOR LOADS IMPROVED BY COLUMN REACTIONS OF THE BUILDING, OTHER IMPOSED LOADS, AND BEARING CAPACITY OF THE SOIL AND OTHER CONDITIONS OF THE BUILDING SITE.

NORMAL ERECTION OPERATIONS INCLUDE THE CORRECTIONS OF MINOR MISFITS BY MODERATE AMOUNTS OF REAMING, CHIPPING, WELDING OR CUTTING, AND THE DRAWING OF ELEMENTS INTO LINE THROUGH THE USE OF DRIFT PINS, ERIGIS WHICH CANNOT BE CORRECTED BY FURNISHING MEANS OR WHICH REQUIRES MAJOR CHANGES IN MEMBER CONFIGURATION ARE TO REPORT IMMEDIATELY TO ELITE STRUCTURES BY THE BUYER/ END USER CUSTOMER, TO ENABLE WHOEVER IS RESPONSIBLE EITHER TO CORRECT THE ERROR OR TO APPROVE THE MOST EFFICIENT AND ECONOMIC METHOD OF CORRECTION TO BE USED BY OTHERS. SECTION 7 AISC CODE OF STANDARD 9TH EDITION



ELITE-STRUCTURES.COM

CONSTRUCTION MANUAL AVAILABLE ONLINE
 WWW.ELITE-STRUCTURES.COM

PROJECT: I.C. CONSTRUCTION PROJECT MANAGER: L. WHITEHURST LOCATION: LAKE CITY, FL
 ATTN: ISAIAH CULLY

SERVICEABILITY CRITERIA

Endwall Column	= 180	Roof Panel (Live)	= 60
Endwall Rafter (Live)	= 180	Roof Panel (Wind)	= 60
Endwall Rafter (Wind)	= 180	Rigid Frame (Horz)	= 60
Wall Girt	= 90	Rigid Frame (Vert)	= 180
Roof Purlin (Live)	= 180	Rigid Frame (Seismic)	= 50
Roof Purlin (Wind)	= 150		
Wall Panel	= 60		

MEZZANINE LOADS (IF APPLICABLE)

Use/Occupancy	Collateral load below
Dead load	Live load
Partition dead	Live deflection limit
Collateral load above	Dead and live deflection limit

BUILDING DESCRIPTION:

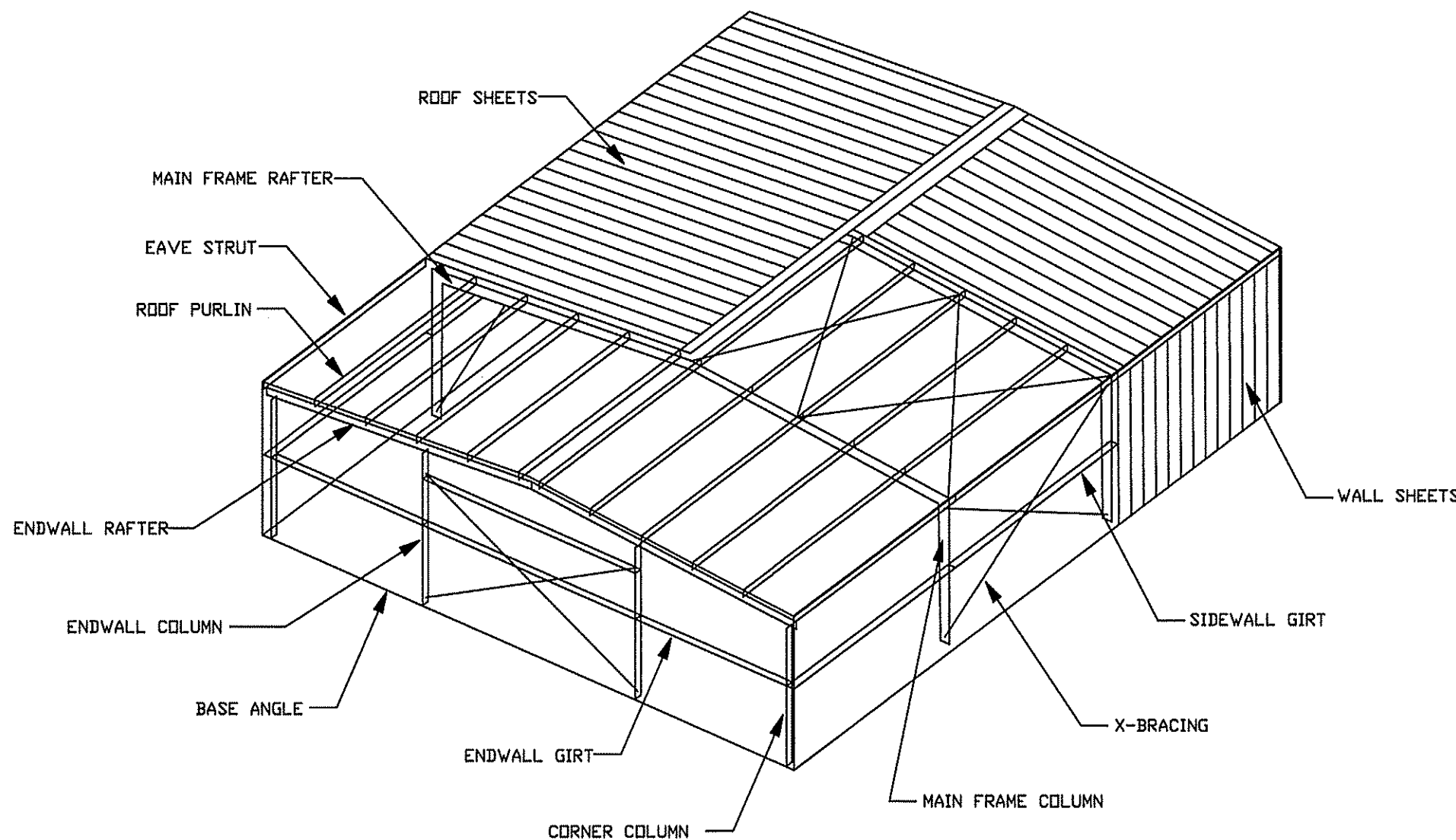
40 x 60 x 14

LOCAL BUILDING CODE: FBC 23
 ENCLOSURE TYPE: Enclosed
 BUILDING RISK CATAGORY: II - Normal
 LOAD REDUCTION USED: Yes
 LIVE LOAD TO FRAMES: 12.00
 LIVE LOAD TO PURLINS: 20.00
 DEAD LOAD: 2.50
 COLLATERAL LOAD: 1.00
 SNOW LOAD (GROUND): 4
 SNOW LOAD (ROOF): 3.13
 WIND SPEED: 118
 WIND EXPOSURE: B
 SEISMIC ZONE: B
 SEISMIC IMPORTANCE: 1.00
 SPECTRAL RESPONSE S_s: 0.14
 SPECTRAL RESPONSE S₁: 0.06
 RAIN INTENSITY: 5 yr. 10
 25 yr. 11.0000

Harry V Whiddon

Digitally signed by Harry V Whiddon
 DN: c=US, o=Georgia,
 dnQualifier=A01410D0000018D83F35
 BF800091177, cn=Harry V Whiddon
 Date: 2025.05.16 10:18:54 -04'00'

HARRY V. WHIDDON, PE
 111 LONNIE GRIMSLEY RD.
 ADEL, GA 31620
 PE#38968



BUILDING DRAWING FOR ILLUSTRATION ONLY

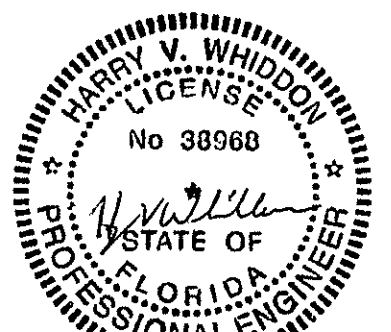
DESIGN SPECIFICATIONS

FOR
 JOB ID: 13325

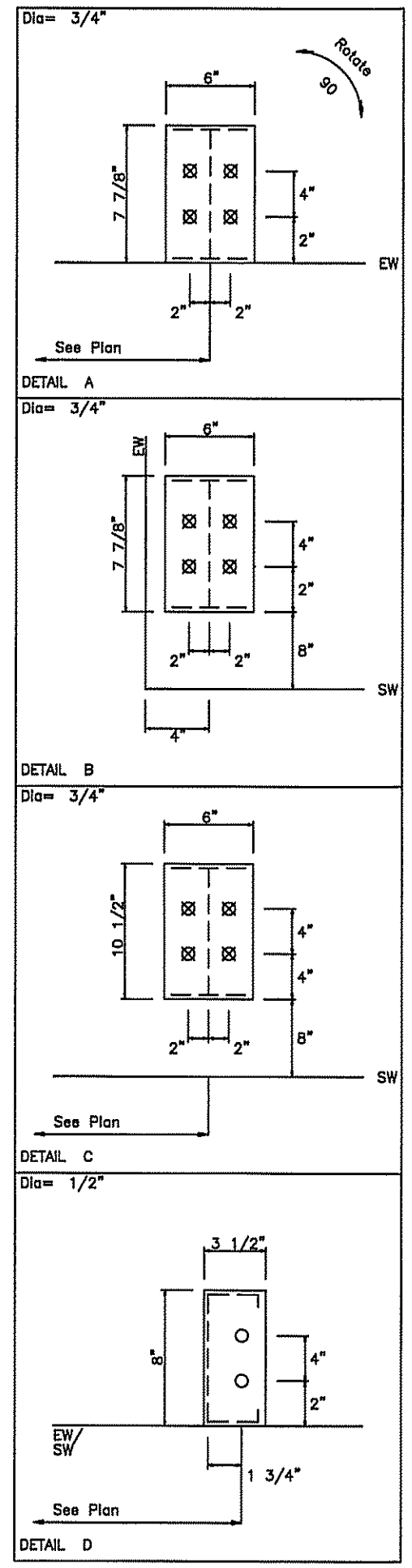
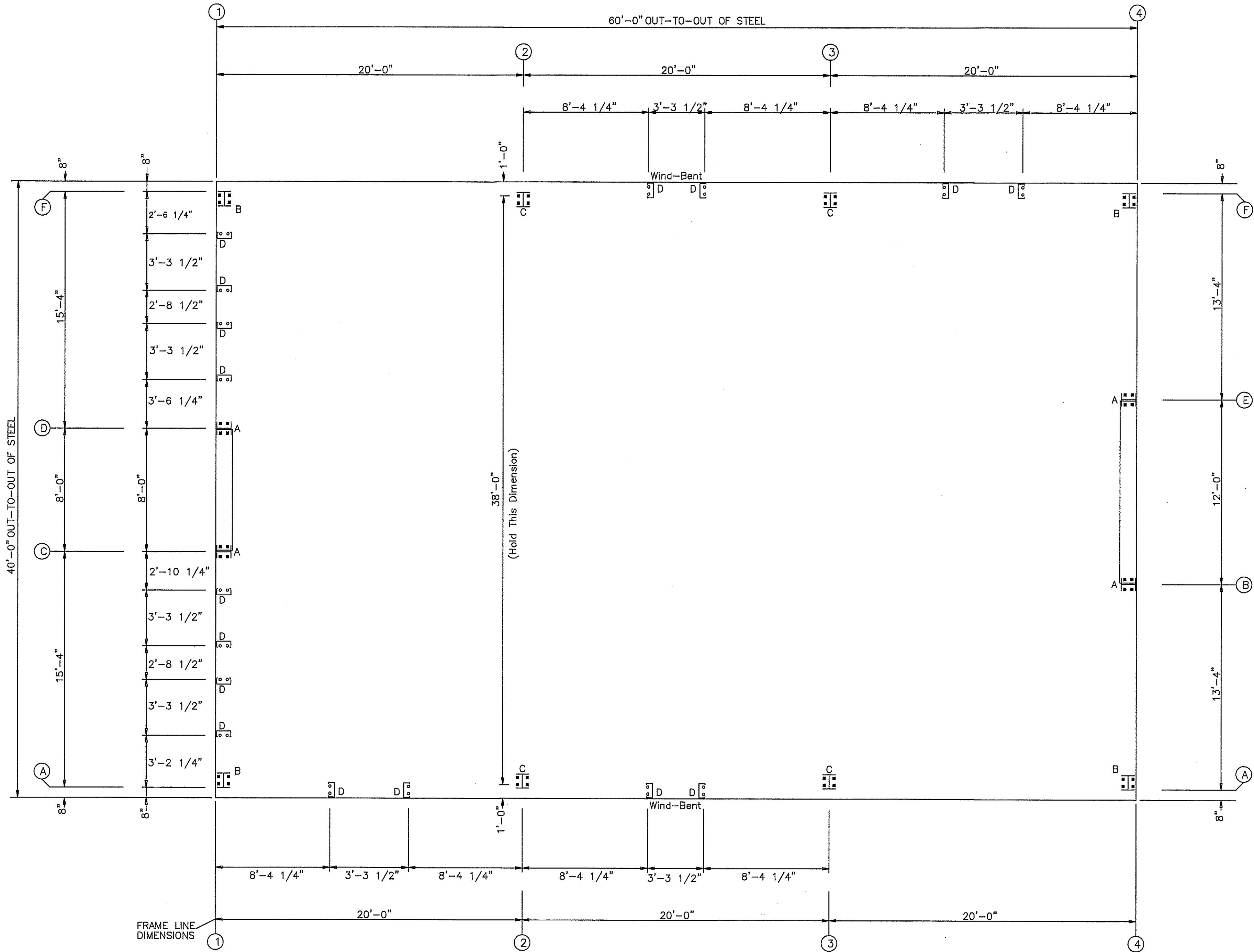
ENGINEERING SEAL

THIS CERTIFICATION COVERS PARTS MANUFACTURED AND DELIVERED BY ELITE STRUCTURES ONLY.

SEALING OF THESE DRAWINGS DOES NOT IMPLY OR CONSTITUTE THAT ELITE STRUCTURES ENGINEER IS THE ENGINEER OF RECORD OR THE DESIGN PROFESSIONAL FOR THE THIS PROJECT. ONLY THE DESIGN OF THE METAL BUILDING SYSTEM AS FURNISHED BY ELITE STRUCTURES IS INCLUDED. FOUNDATIONS ANALYSIS, ELECTRICAL, AND MECHANICAL SYSTEMS, AND/OR OTHER PARTS SUPPLIED BY ANYONE OTHER THAN ELITE STRUCTURES ARE SPECIFICALLY EXCLUDED, NO INSPECTION OR SUPERVISION IS IMPLIED.



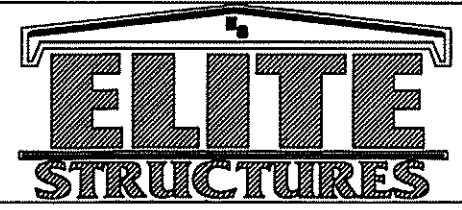
5-15-2025



HARRY V. WHIDDON, PE
 111 LONNIE GRIMSLEY RD.
 ADEL, GA 31620
 PE#38968



ANCHOR BOLT PLAN
 NOTE: All Base Plates @ 100'-0" (U.N.)



PH 229-896-7569
 FAX 229-896-7560
 P.O. BOX 207
 ADEL, GA 31620

SCALE: N.T.S.	DATE: 9/14/24
DRAWN BY: C.REVILL	SALESMAN: L.WHITEHURST
BUILDING SIZE: 40X60X14	

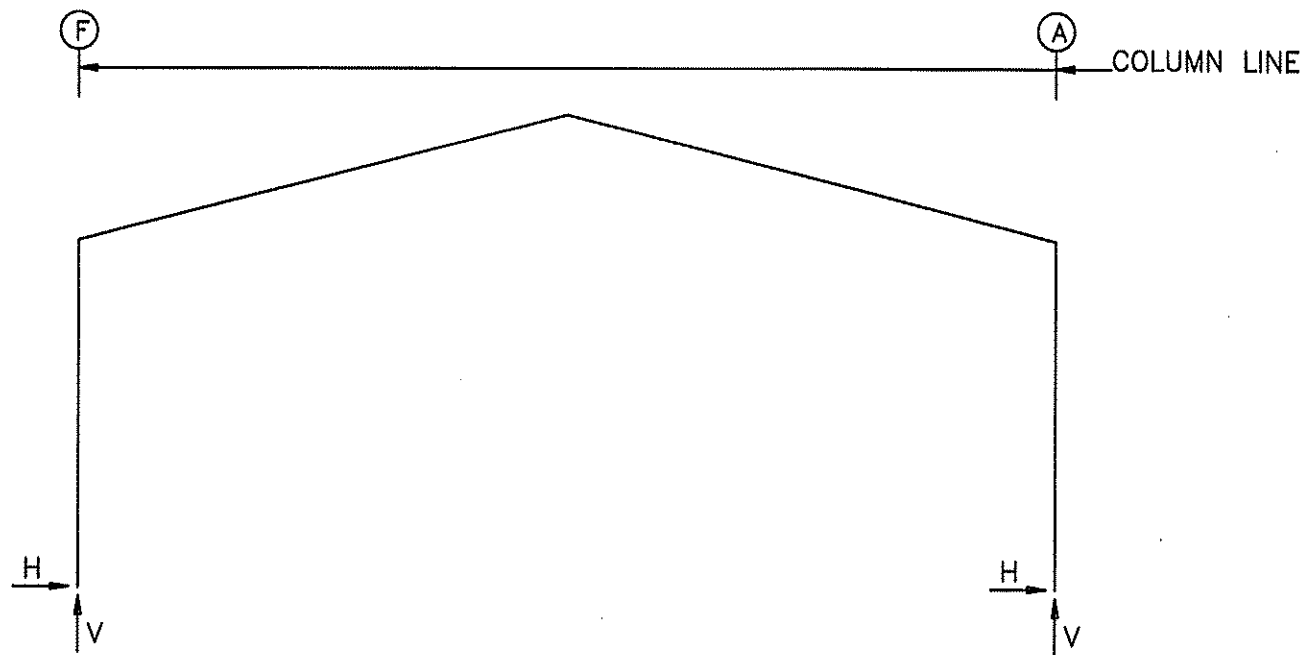
REVISION	
DATE	DESCRIPTION
9/14	TOOK OFF SOME OF WAINSCOTT

TITLE/LOCATION
 I.C. CONSTRUCTION
 LAKE CITY, FL

PLAN
 ANCHOR BOLT

JOB #
 13325-AB
 SHEET 1 OF 13

FRAME LINES: 2 3



RIGID FRAME: MAXIMUM REACTIONS, ANCHOR BOLTS, & BASE PLATES

Frm Line	Col Line	Column_Reactions(k)						Bolt Qty	Dia	Base_Plate(in)			Grout (in)
		Load Id	Hmax H	V Vmax	Load Id	Hmin H	V Vmin			Width	Length	Thick	
2*	F	3	2.7	3.6	6	-2.9	-2.2	4	0.750	6.000	10.50	0.500	0.0
		1	2.3	6.8	4	-2.8	-4.0						
2*	A	7	2.9	-2.2	2	-2.7	3.6	4	0.750	6.000	10.50	0.500	0.0
		1	-2.3	6.8	5	2.8	-4.0						

RIGID FRAME: BASIC COLUMN REACTIONS (k)

Frame Line	Column Line	Dead		Collateral		Live		Snow		Wind_Left1		Wind_Right1	
		Horz	Vert	Horz	Vert	Horz	Vert	Horz	Vert	Horz	Vert	Horz	Vert
2*	F	0.5	1.6	0.1	0.4	1.7	4.8	0.4	1.3	-5.1	-8.2	1.8	-4.3
		-0.5	1.6	-0.1	0.4	-1.7	4.8	-0.4	1.3	-1.8	-4.3	5.1	-8.2
2*	A	-5.3	-5.2	1.5	-1.3	0.3	-8.1	-0.4	-7.2	-0.3	-0.2	0.3	0.2
		-1.5	-1.3	5.3	-5.2	0.4	-7.2	-0.3	-8.1	-0.3	0.2	0.3	-0.2

Frame Line	Column Line	Seismic_Long		MIN_SNOW		F1UNB_SL_L		F1UNB_SL_R	
		Horz	Vert	Horz	Vert	Horz	Vert	Horz	Vert
2*	F	0.0	-0.2	0.6	1.6	0.4	1.2	0.4	0.7
2*	A	0.0	-0.2	-0.6	1.6	-0.4	0.7	-0.4	1.2

NOTES FOR REACTIONS

Building reactions are based on the following building data:

- Width (ft) = 40.0
- Length (ft) = 60.0
- Eave Height (ft) = 14.0 / 14.0
- Roof Slope (rise/12) = 3.00 / 3.00
- Roof Dead Load (psf) = 2.5
- Wall Dead Load (psf) = 2.0
- Left Endwall (psf) = 2.0
- Right Endwall (psf) = 2.0
- Front Sidewall (psf) = 2.0
- Back Sidewall (psf) = 2.0
- Roof Live Load (psf) = 20.0
- Frame Live Load (psf) = 12.0
- Collateral Load (psf) = 1.0
- Snow Load (psf) = 3.1
- Minimum Snow (psf) = 4.0
- Wind Speed (mph) = 118.0
- Wind Code = FBC 23 (IBC 24)
- Exposure = B
- Closure = Enclosed
- Internal Wind Coeff = -0.18, +0.18
- Risk Category = II - Normal
- Importance - Wind = 1.00
- Importance - Seismic = 1.00
- Seismic Design Category = B
- Seismic Coeff (Sms) = 0.18

ID	Description
1	Dead+Collateral+Live
2	Dead+Collateral+0.75Live+0.45Wind_Left1
3	Dead+Collateral+0.75Live+0.45Wind_Right1
4	0.6Dead+0.6Wind_Left1
5	0.6Dead+0.6Wind_Right1
6	0.6Dead+0.6Wind_Left2
7	0.6Dead+0.6Wind_Right2
8	0.6Dead+0.6Wind_Long1L
9	0.6Dead+0.6Wind_Long2L
10	1.01Dead+1.01Collateral+0.75Live+0.53Seismic_Right
11	0.6Dead+0.6Wind_Left1+0.6Wind_Suction
12	0.6Dead+0.6Wind_Pressure+0.6Wind_Long1L
13	0.6Dead+0.6Wind_Right1+0.6Wind_Suction
14	0.6Dead+0.6Wind_Pressure+0.6Wind_Long2L

BUILDING BRACING REACTIONS

Wall Loc	Col Line	± Reactions(k)				Panel_Shear (lb/ft)		Note
		Wind Horz	Wind Vert	Seismic Horz	Seismic Vert	Wind	Seis	
L_EW	1							(i)
F_SW	A	2,3	1.3	1.6	0.2	0.2		(b)
R_EW	4							(i)
B_SW	F	2,3	1.3	1.6	0.2	0.2		(b)

(b) Wind bent in bay, base above finish floor
(i) Bracing in roof to rigid frame

Reactions for seismic represent shear force, Eh
Reaction values shown are unfactored

ENDWALL COLUMN: BASIC COLUMN REACTIONS (k)

Frm Line	Col Line	Dead Vert	Collat Vert	Live Vert	Snow Vert	Wind Left1 Vert	Wind Right1 Vert	Wind Left2 Vert	Wind Right2 Vert	Wind Press Horz	Wind Suct Horz	Wind Long1 Vert	Wind Long2 Vert
1	F	0.3	0.0	0.9	0.1	-1.3	-0.9	-0.7	-0.3	0.0	0.0	-1.5	-1.1
1	D	0.7	0.2	3.2	0.5	-2.8	-1.7	-2.1	-0.9	-1.6	1.8	-2.6	-1.1
1	C	0.7	0.2	3.2	0.5	-1.7	-2.8	-0.9	-2.1	-1.6	1.8	-2.6	-1.1
1	A	0.3	0.0	0.9	0.1	-0.9	-1.3	-0.3	-0.7	0.0	0.0	-1.1	-1.5

Frm Line	Col Line	Seis Left Vert	Seis Right Vert	Seis Long Vert	-MIN_SNOW-		E1UNB_SL_L-		E1UNB_SL_R-	
					Horz	Vert	Horz	Vert	Horz	Vert
1	F	0.0	0.1	0.0	0.0	0.2	0.0	0.2	0.0	0.0
1	D	0.0	-0.1	0.0	0.0	0.6	0.0	0.6	0.0	0.2
1	C	-0.1	0.0	0.0	0.0	0.6	0.0	0.2	0.0	0.6
1	A	0.1	0.0	0.0	0.0	0.2	0.0	0.0	0.0	0.2

Frm Line	Col Line	Dead Vert	Collat Vert	Live Vert	Snow Vert	Wind Left1 Vert	Wind Right1 Vert	Wind Left2 Vert	Wind Right2 Vert	Wind Press Horz	Wind Suct Horz	Wind Long1 Vert	Wind Long2 Vert
4	A	0.3	0.1	1.1	0.2	-1.1	-0.7	-0.5	-0.2	0.0	0.0	-1.4	-1.0
4	B	0.7	0.2	2.9	0.5	-2.9	-1.9	-2.1	-1.1	-1.7	1.9	-2.6	-1.4
4	E	0.7	0.2	2.9	0.5	-1.9	-2.9	-1.1	-2.1	-1.7	1.9	-2.6	-1.4
4	F	0.3	0.1	1.1	0.2	-0.7	-1.1	-0.2	-0.5	0.0	0.0	-1.0	-1.4

Frm Line	Col Line	Seis Left Vert	Seis Right Vert	Seis Long Vert	-MIN_SNOW-		E2UNB_SL_L-		E2UNB_SL_R-	
					Horz	Vert	Horz	Vert	Horz	Vert
4	A	0.0	0.1	0.0	0.0	0.2	0.0	0.2	0.0	0.1
4	B	0.0	-0.1	0.0	0.0	0.6	0.0	0.5	0.0	0.2
4	E	-0.1	0.0	0.0	0.0	0.6	0.0	0.2	0.0	0.5
4	F	0.1	0.0	0.0	0.0	0.2	0.0	0.1	0.0	0.2

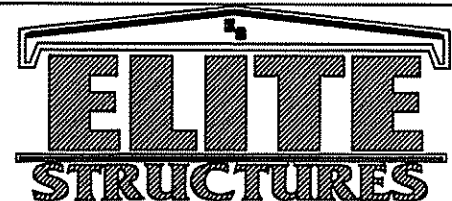
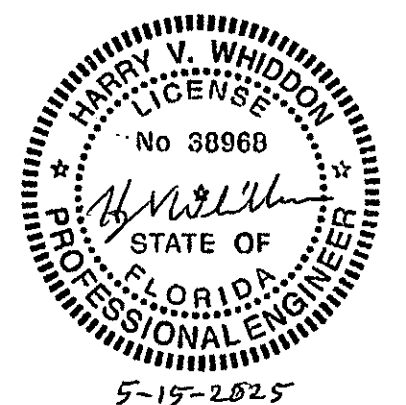
ENDWALL COLUMN: MAXIMUM REACTIONS, ANCHOR BOLTS, & BASE PLATES

Frm Line	Col Line	Column_Reactions(k)						Bolt Qty	Dia	Base_Plate(in)			Grout (in)
		Load Id	Hmax H	V Vmax	Load Id	Hmin H	V Vmin			Width	Length	Thick	
1	F	8	0.0	-0.7	8	0.0	-0.7	4	0.750	6.000	7.875	0.375	0.0
1	D	11	1.1	-1.3	12	-1.0	-1.2	4	0.750	6.000	7.875	0.375	0.0
1	C	13	1.1	-1.3	14	-1.0	-1.2	4	0.750	6.000	7.875	0.375	0.0
1	A	9	0.0	-0.7	9	0.0	-0.7	4	0.750	6.000	7.875	0.375	0.0
4	A	8	0.0	-0.6	8	0.0	-0.6	4	0.750	6.000	7.875	0.375	0.0
4	B	11	1.1	-1.3	12	-1.0	-1.2	4	0.750	6.000	7.875	0.375	0.0
4	E	13	1.1	-1.3	14	-1.0	-1.2	4	0.750	6.000	7.875	0.375	0.0
4	F	9	0.0	-0.6	9	0.0	-0.6	4	0.750	6.000	7.875	0.375	0.0

ANCHOR BOLT SUMMARY

Qty	Locate	Dia (in)	Type	Proj (in)
48	Jamb	1/2"	GR36	1.50
32	Endwall	3/4"	GR36	2.50
16	Frame	3/4"	GR36	2.50

HARRY V. WHIDDON, PE
111 LONNIE GRIMSLEY RD.
ADEL, GA 31620
PE#38968



PH 229-896-7569
FAX 229-896-7560
P.O. BOX 207
ADEL, GA 31620

SCALE: N.T.S.
DRAWN BY: CREVILL
BUILDING SIZE: 40X60X14

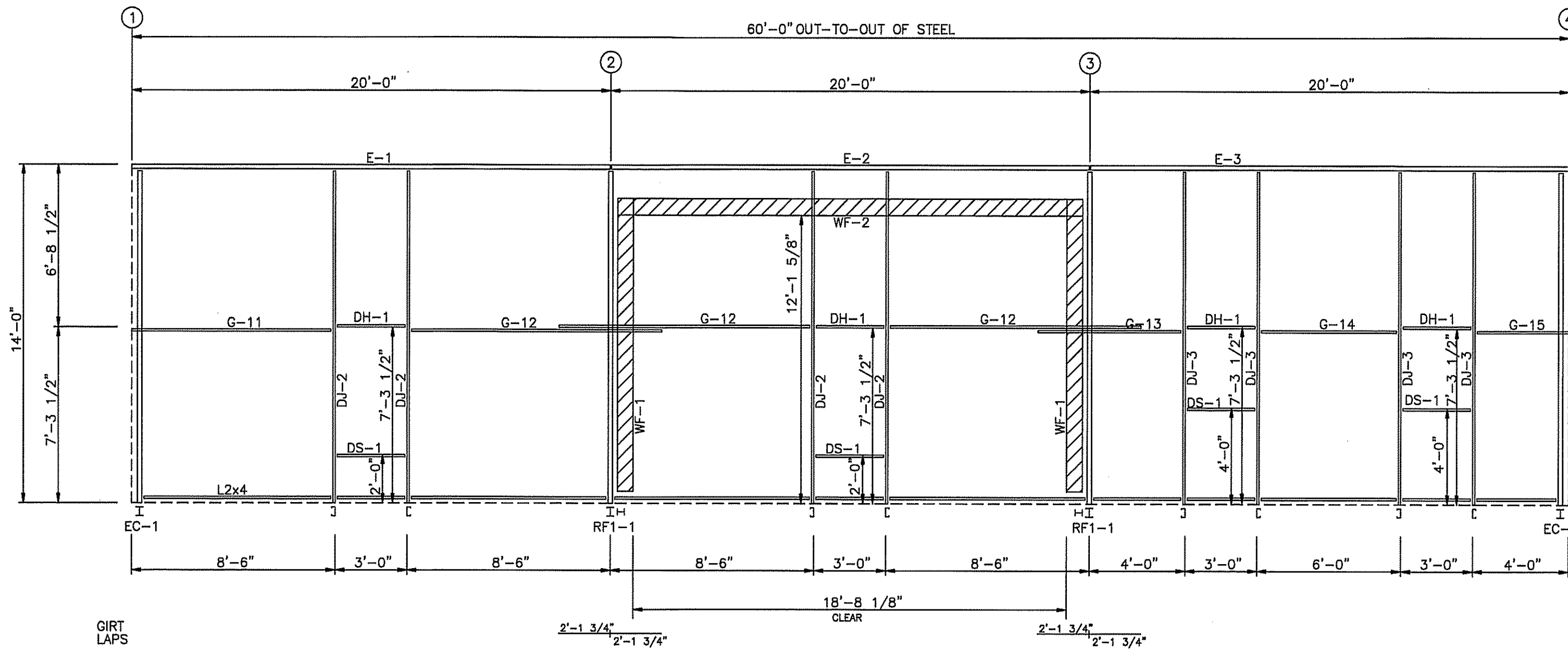
DATE: 9/14/24
SALESMAN: L.WHITEHURST

REVISION	
DATE	DESCRIPTION
9/14	TOOK OFF SOME OF THE WAINSCOTT

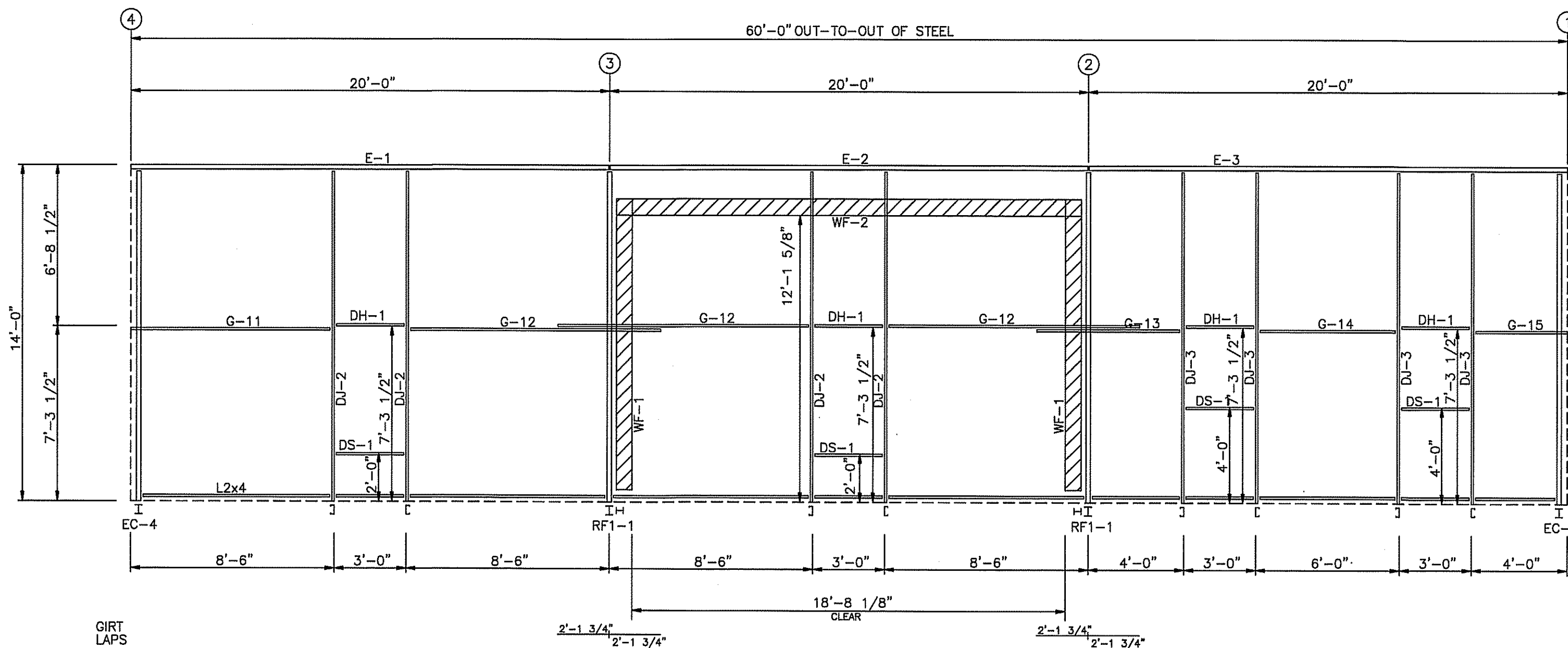
TITLE/LOCATION: I.C. CONSTRUCTION
LAKE CITY, FL

PLAN: COLUMN REACTIONS

JOB #: 13325-CR
SHEET 2 OF 13



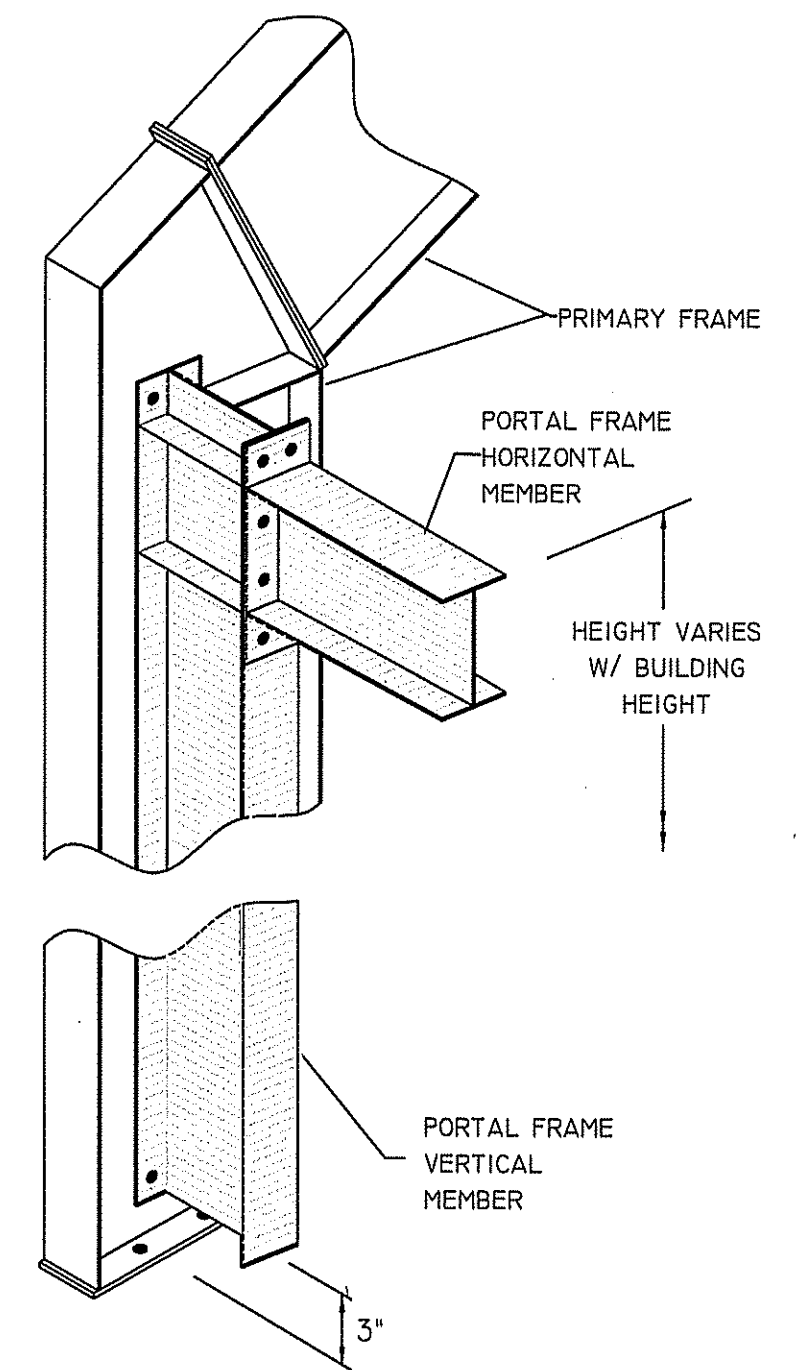
SIDEWALL FRAMING: FRAME LINE A



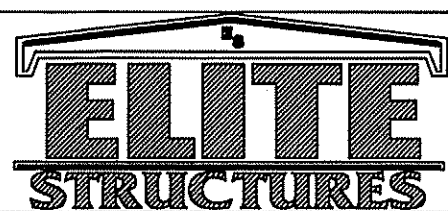
SIDEWALL FRAMING: FRAME LINE F

BOLT TABLE				
FRAME LINE A & F				
LOCATION	QUAN	TYPE	DIA	LENGTH
WF-1 - WF-2	8	A325	3/4"	3"
WF-1 - RF1-1	14	A325	3/4"	3"

MEMBER TABLE		
FRAME LINE A & F		
MARK	PART	LENGTH
WF-1	W8X10	12'-3 3/4"
WF-2	W8X18	18'-7 1/8"
DJ-2	8X25C14	13'-5 3/4"
DJ-3	8X25C14	13'-5 3/4"
DH-1	8X25C14	3'-0"
DS-1	8X25C14	3'-0"
E-1	8E214L3	19'-11 1/2"
E-2	8E214L3	19'-11 1/2"
E-3	8E214L3	19'-11 1/2"
G-11	8X25Z16	8'-3"
G-12	8X25Z16	10'-5"
G-13	8X25Z16	5'-11"
G-14	8X25Z16	5'-6 1/2"
G-15	8X25Z16	3'-9"



PORTAL FRAME CONNECTION DETAIL



PH 229-896-7569
 FAX 229-896-7560
 P.O. BOX 207
 ADEL, GA 31620

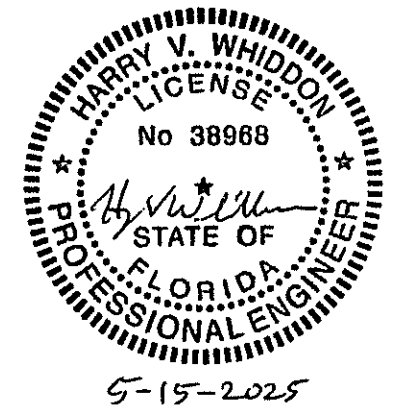
SCALE: N.T.S.
 DATE: 9/3/24
 DRAWN BY: C.REVILL
 SALESMAN: L.WHITEHURST
 BUILDING SIZE: 40X60X14

REVISION	
DATE	DESCRIPTION
5/14	TOOK OFF SOME WAINSCOTT

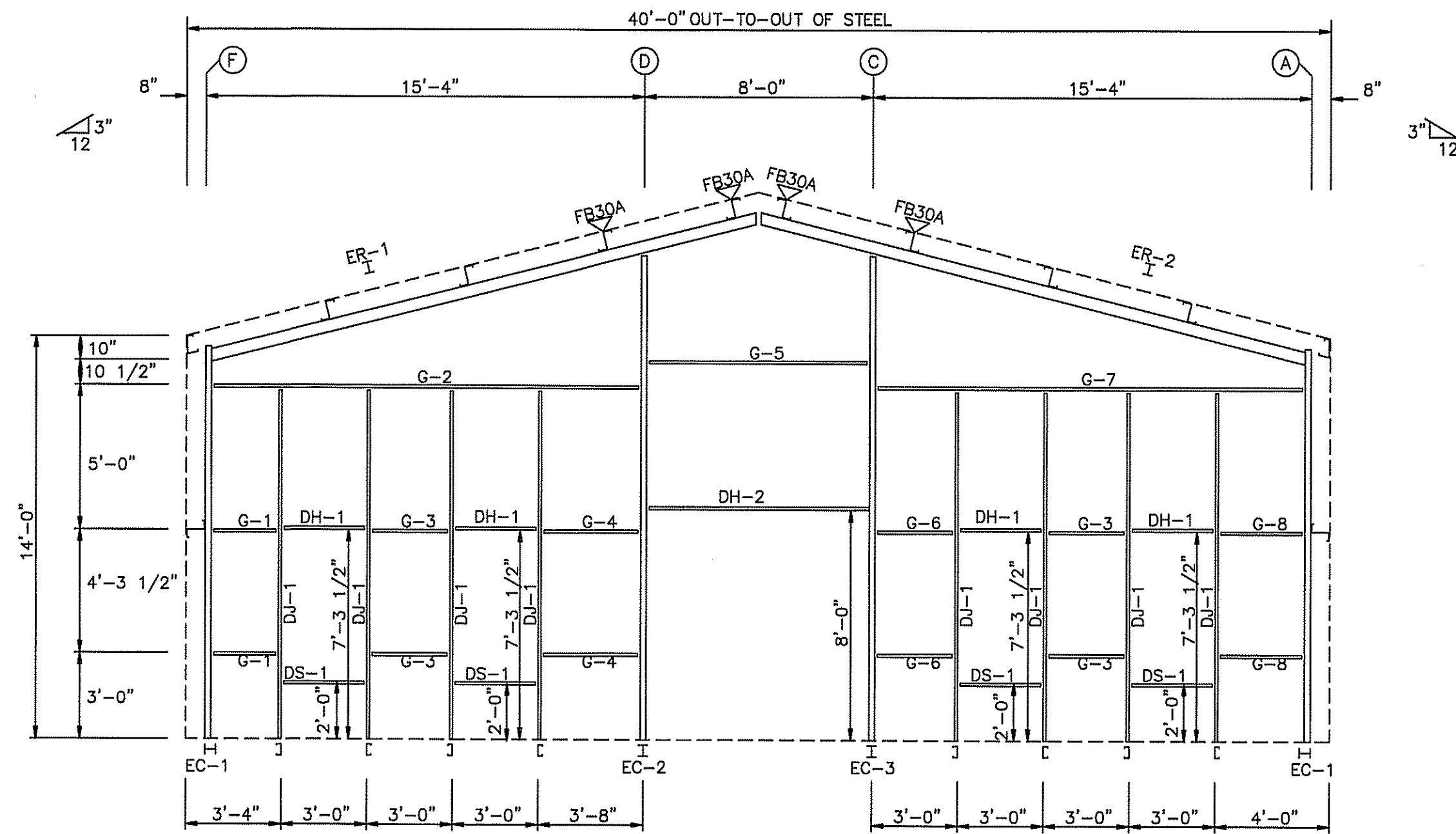
TITLE/LOCATION
 I.C. CONSTRUCTION
 LAKE CITY, FL

PLAN
 SIDEWALL FRAMING

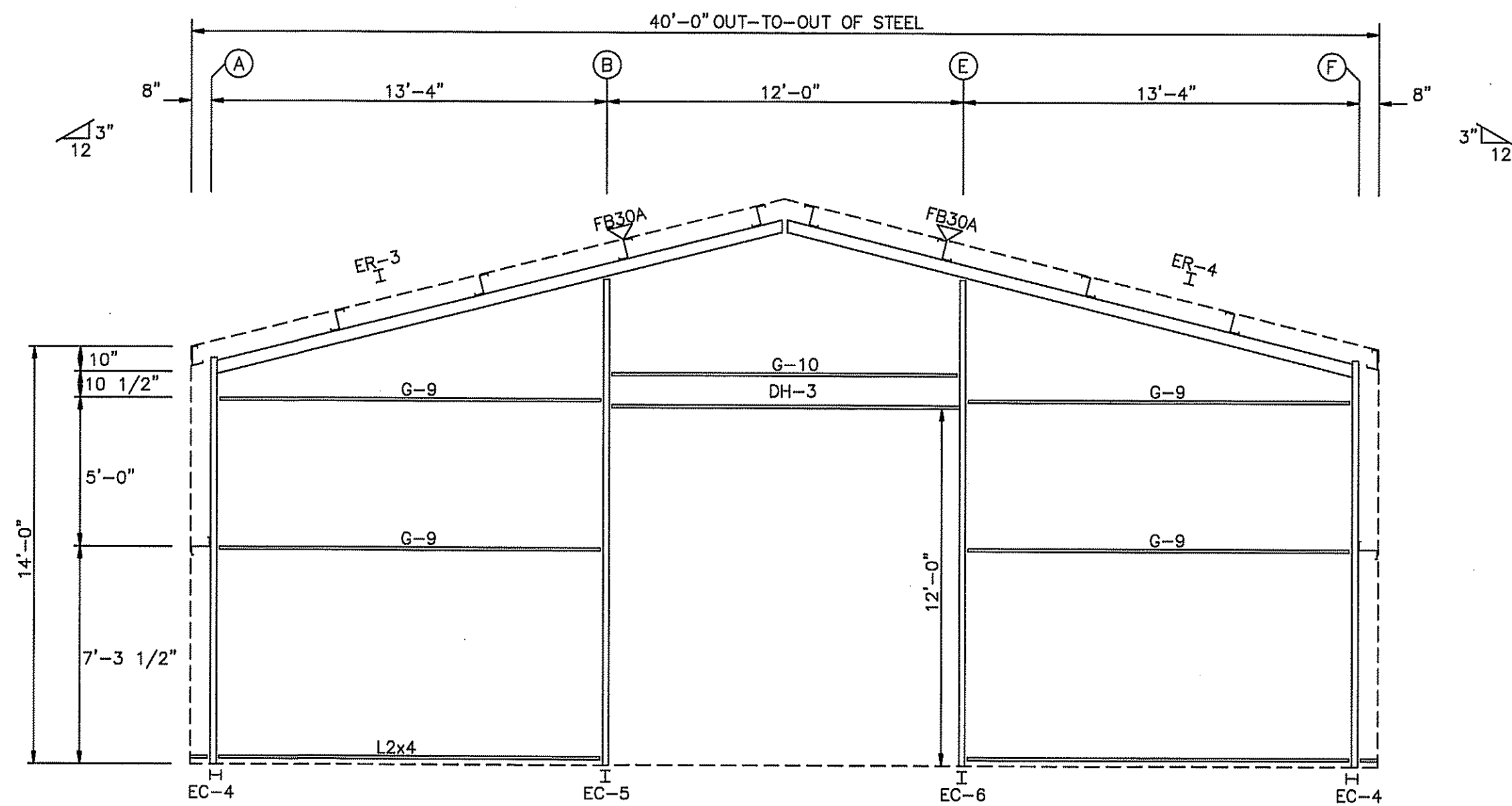
JOB #
 13325-SF
 SHEET 3 OF 13



5-15-2025



ENDWALL FRAMING: FRAME LINE 1



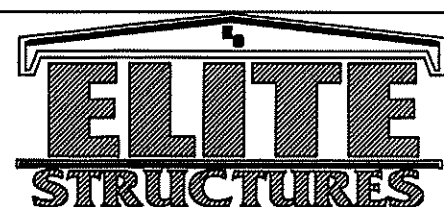
ENDWALL FRAMING: FRAME LINE 4

BOLT TABLE FRAME LINE 1 & 4				
LOCATION	QUAN	TYPE	DIA	LENGTH
Cor_Column/Raf	4	A325	3/4"	3"
ER-1/ER-2	8	A325	3/4"	3"
ER-3/ER-4	8	A325	3/4"	3"
Int_Column/Raf	4	A325	1/2"	1 1/2"

MEMBER TABLE FRAME LINE 1 & 4		
MARK	PART	LENGTH
EC-1	WBX10	13'-7 3/4"
EC-2	WBX10	16'-8 1/8"
EC-3	WBX10	16'-8 1/8"
EC-4	WBX10	13'-7 3/4"
EC-5	WBX10	16'-2 1/8"
EC-6	WBX10	16'-2 1/8"
EC-7	WBX10	16'-5"
EC-8	WBX10	16'-5"
EC-9	WBX10	16'-5"
EC-10	WBX10	16'-5"
DJ-1	8X25C14	12'-0 1/2"
DJ-2	8X25C14	7'-0"
DH-1	8X35C14	7'-0 1/2"
DH-2	8X35C14	11'-7 1/2"
DS-1	8X25C14	3'-0"
G-1	8X25Z16	14'-9 1/8"
G-2	8X25Z16	14'-5 5/8"
G-3	8X25Z16	2'-6 1/2"
G-4	8X25Z16	3'-3 1/2"
G-5	8X25Z16	2'-7 1/2"
G-6	8X25Z16	14'-5 5/8"
G-7	8X25Z16	2'-5 1/8"
G-8	8X25Z16	12'-5 5/8"
G-9	8X25Z16	11'-7 1/2"

FLANGE BRACE TABLE FRAME LINE 1 & 4		
VDI MARK	LENGTH	
1 FB30A	2'-6"	

HARRY V. WHIDDON, PE
111 LONNIE GRIMSLEY RD.
ADEL, GA 31620
PE#38968



PH 229-896-7569
FAX 229-896-7560
P.O. BOX 207
ADEL, GA 31620

SCALE: N.T.S. DATE: 9/3/24
DRAWN BY: C.REVILL SALESMAN: L.WHITEHURST
BUILDING SIZE: 40X60X14

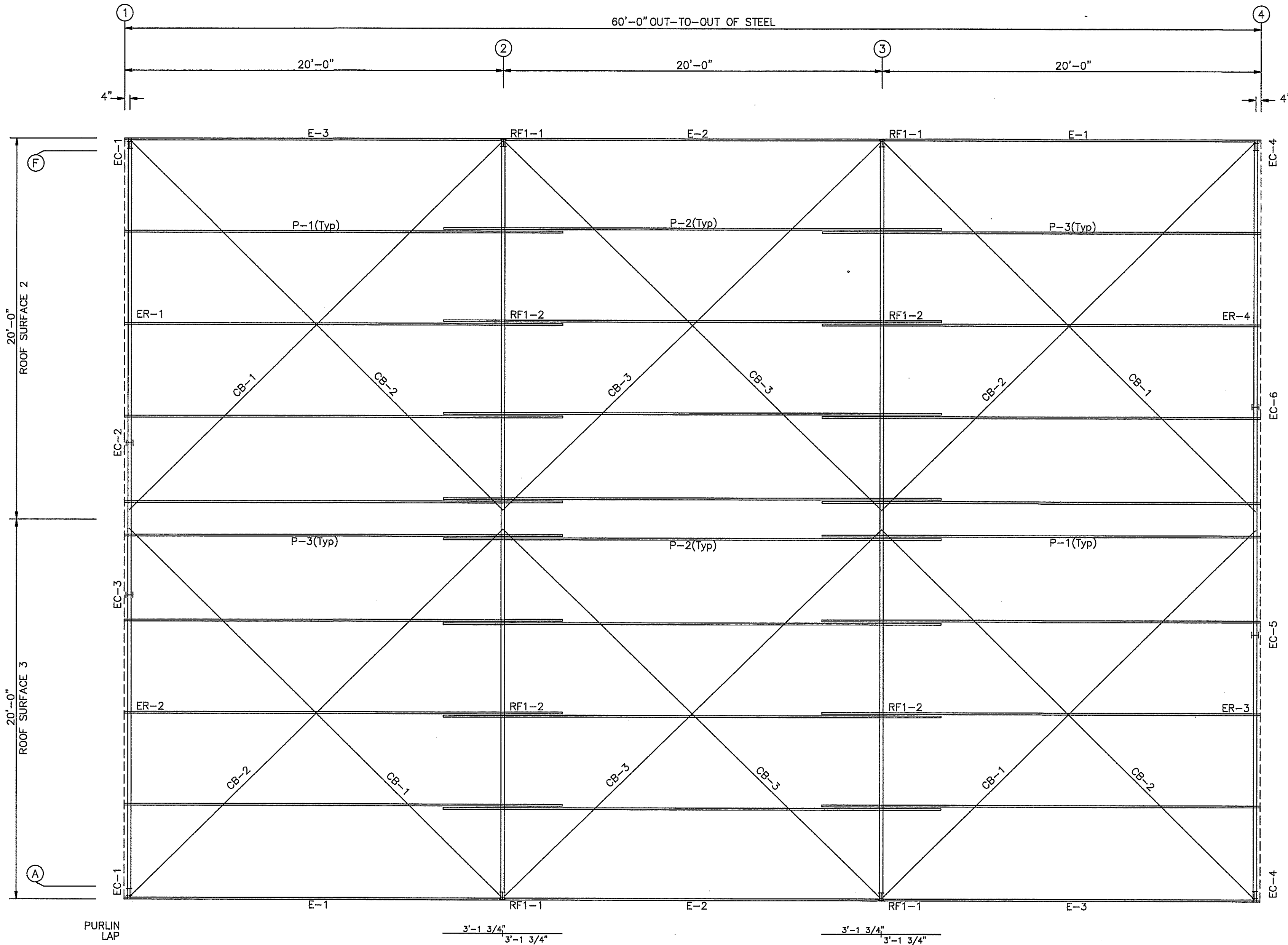
REVISION	
DATE	DESCRIPTION
5/14	TOOK OFF SOME OF WAINSCOTT

TITLE/LOCATION
I.C. CONSTRUCTION
LAKE CITY, FL

PLAN
ENDWALL FRAMING

JOB #
13325-EF
SHEET 4 OF 13

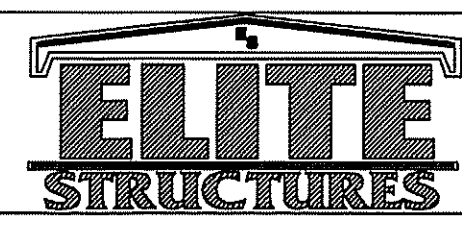
5-15-2025



MEMBER TABLE		
ROOF PLAN		
MARK	PART	LENGTH
P-1	8X25Z16	23'-1 1/2"
P-2	8X25Z16	26'-3 1/2"
P-3	8X25Z16	23'-1 1/2"
E-1	8E214L3	19'-11 1/2"
E-2	8E214L3	19'-11 1/2"
E-3	8E214L3	19'-11 1/2"
CB-1	1/4_CBL	27'-9"
CB-2	1/4_CBL	27'-5"
CB-3	1/4_CBL	28'-0"

ROOF FRAMING PLAN

HARRY V. WHIDDON, PE
 111 LONNIE GRIMSLEY RD.
 ADEL, GA 31620
 PE#38968



PH 229-896-7569
 FAX 229-896-7560
 P.O. BOX 207
 ADEL, GA 31620

SCALE: N.T.S. DATE: 9/3/24
 DRAWN BY: C.REVILL SALESMAN: L.WHITEHURST
 BUILDING SIZE: 40X60X14

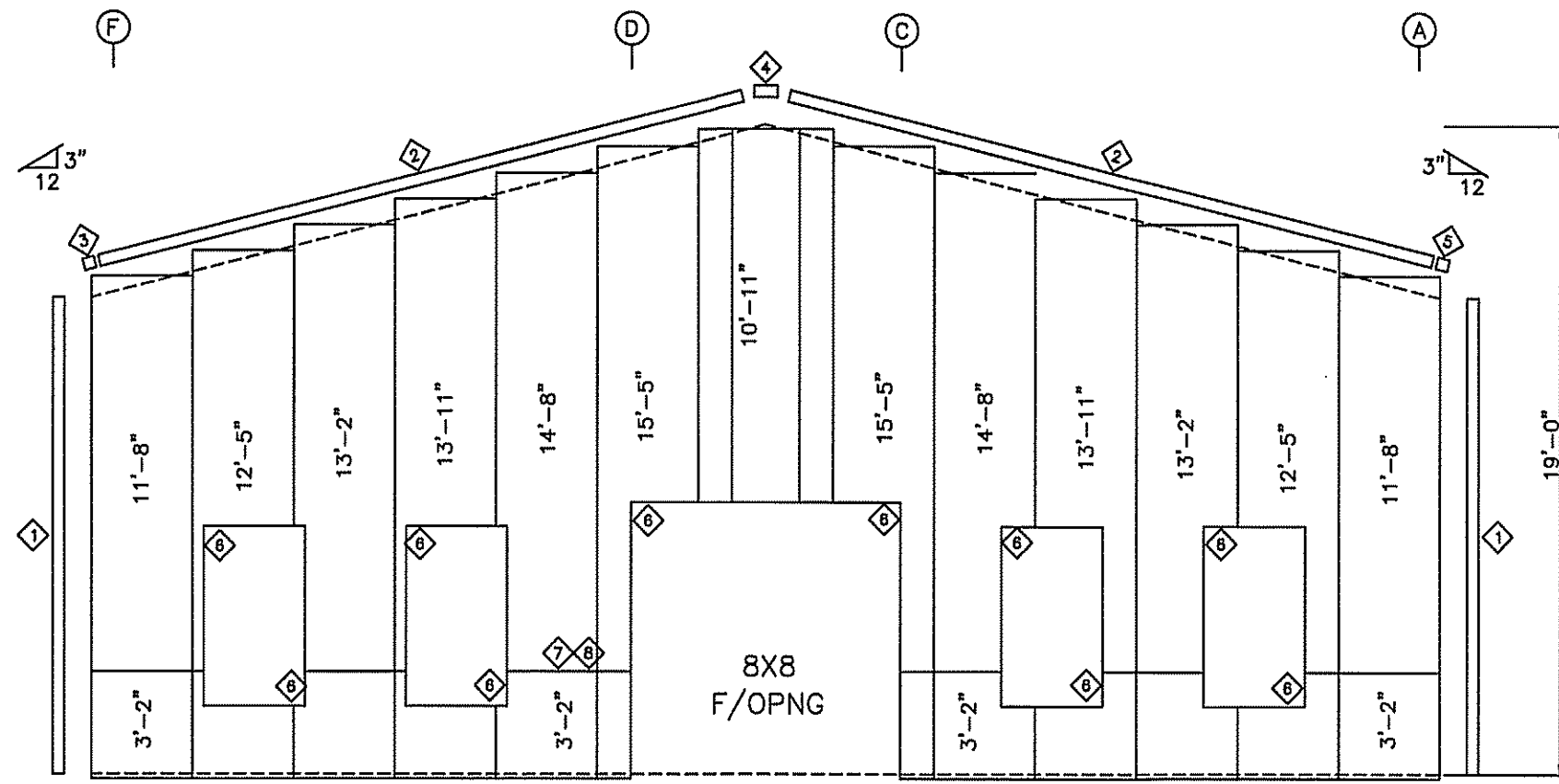
REVISION	
DATE	DESCRIPTION
5/14	TOOK OFF SOME OF WAINSCOTT

TITLE/LOCATION
 I.C. CONSTRUCTION
 LAKE CITY, FL

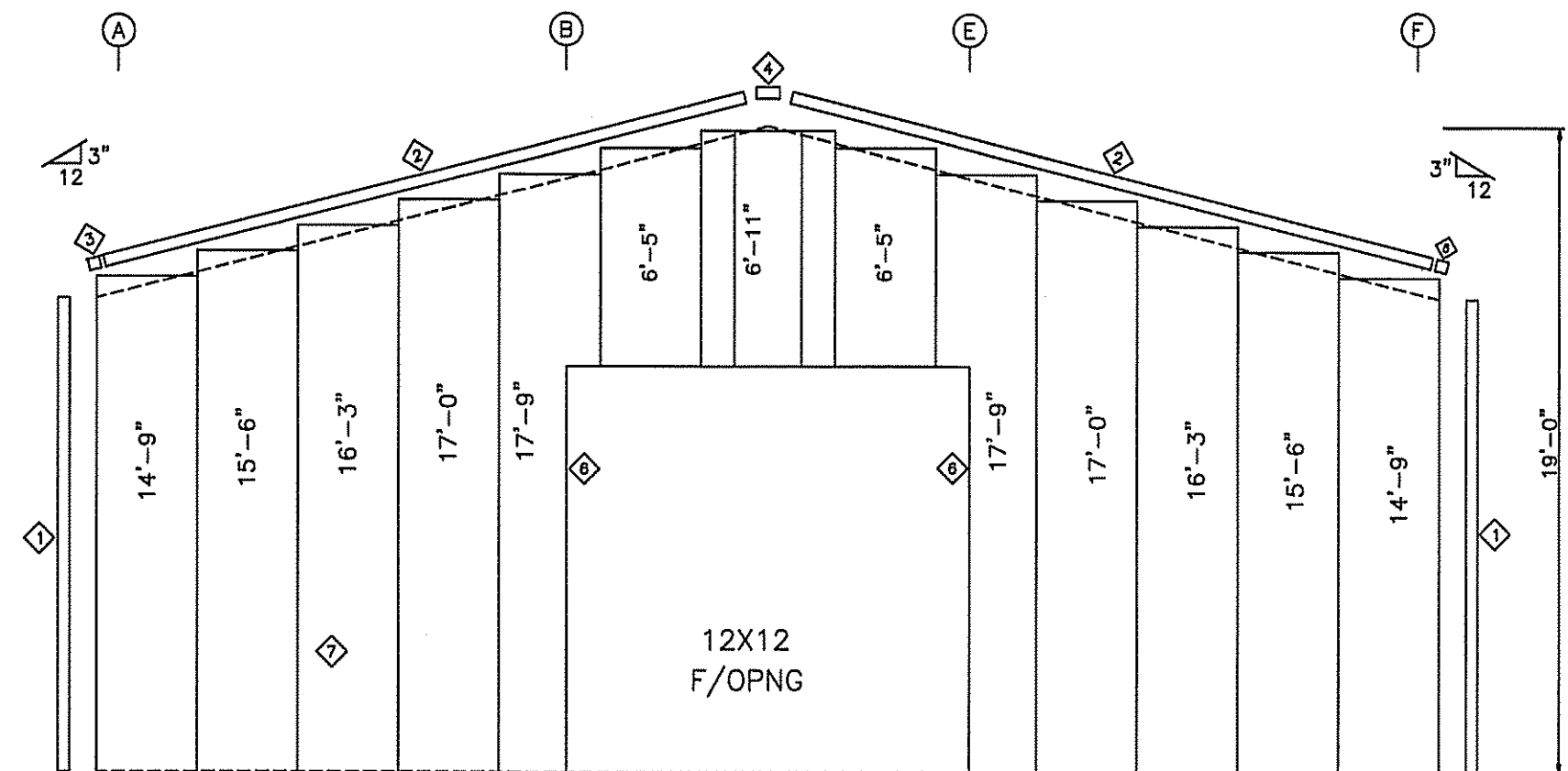
PLAN:
 ROOF FRAMING

JOB #
 13325-RF
 SHEET 5 OF 13

5-15-2025

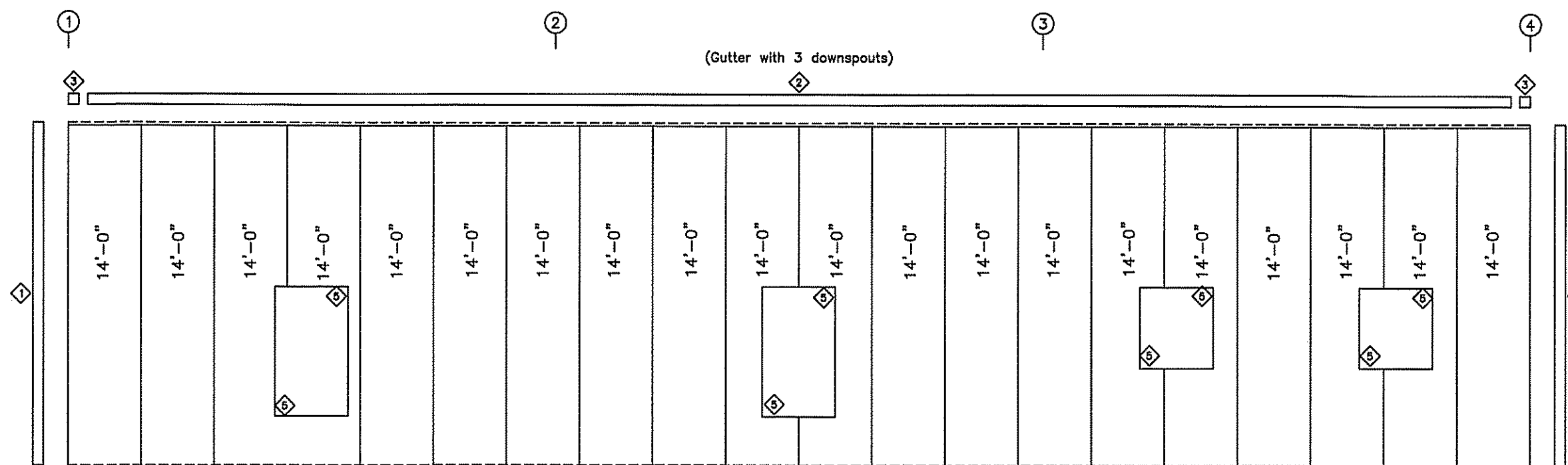


ENDWALL SHEETING & TRIM: FRAME LINE 1



ENDWALL SHEETING & TRIM: FRAME LINE 4

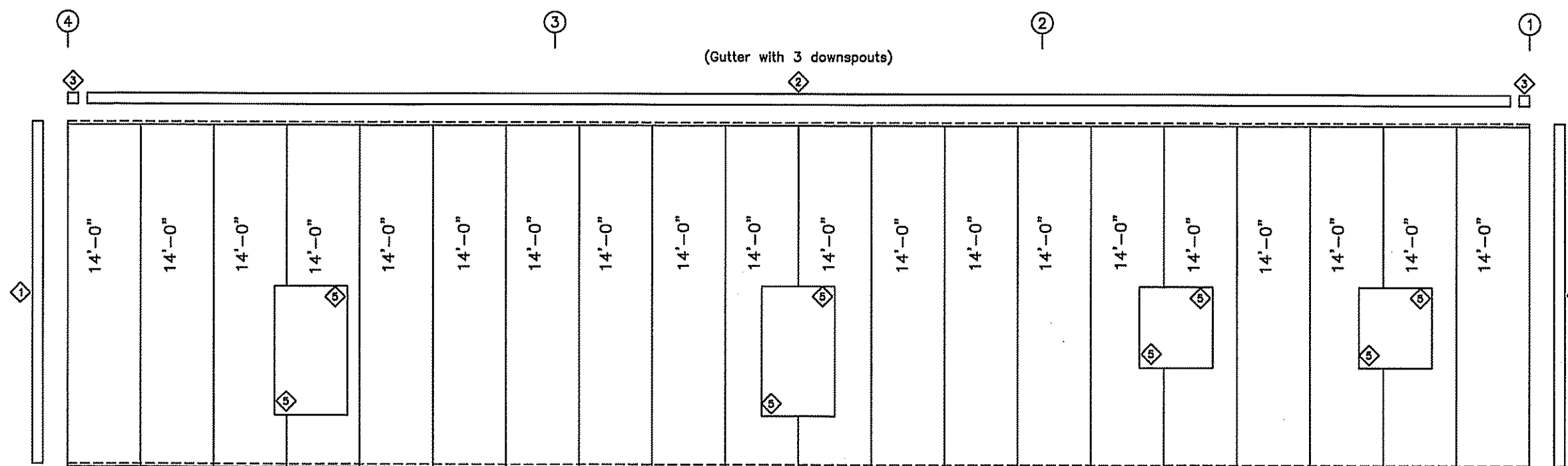
TRIM TABLE FRAME LINE 1 & 4		
ID	PART	DETAIL
1	FL-830	TRIM_47
2	E-101	TRIM_16
3	E-145	TRIM_7
4	E-146	TRIM_23
5	E-105	TRIM_7
6	FL-26	TRIM_49
7	E-156	TRIM_77
8	E-156	TRIM_77
9	E-108	TRIM_43



SIDEWALL SHEETING & TRIM: FRAME LINE A

PANELS: 26 Ga. PBR - NEED COLOR
[A] PANELS: 26 Ga. PBR - White

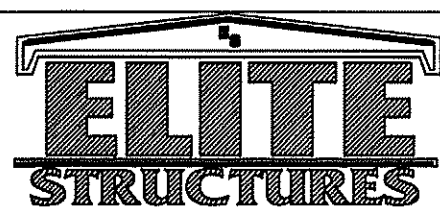
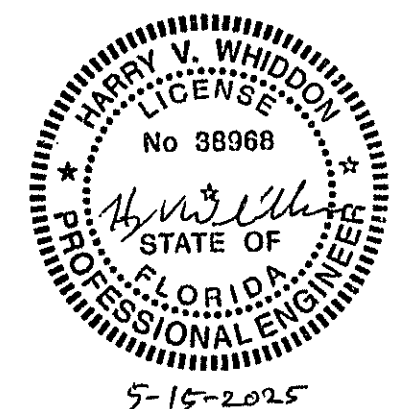
TRIM TABLE FRAME LINE A & F		
ID	PART	DETAIL
1	E-108	TRIM_43
2	FL-830	TRIM_47
3	E-114	TRIM_30
4	E-115	TRIM_33
5	FL-26	TRIM_49



SIDEWALL SHEETING & TRIM: FRAME LINE F

PANELS: 26 Ga. PBR - NEED COLOR
[A] PANELS: 26 Ga. PBR - White

HARRY V. WHIDDON, PE
111 LONNIE GRIMSLEY RD.
ADEL, GA 31620
PE#38968



PH 229-896-7569
FAX 229-896-7560
P.O. BOX 207
ADEL, GA 31620

SCALE: N.T.S. DATE: 9/3/24
DRAWN BY: C.REVILL SALESMAN: L.WHITEHURST
BUILDING SIZE: 40X60X14

REVISION	
DATE	DESCRIPTION
5/14	took off some of the wainscott

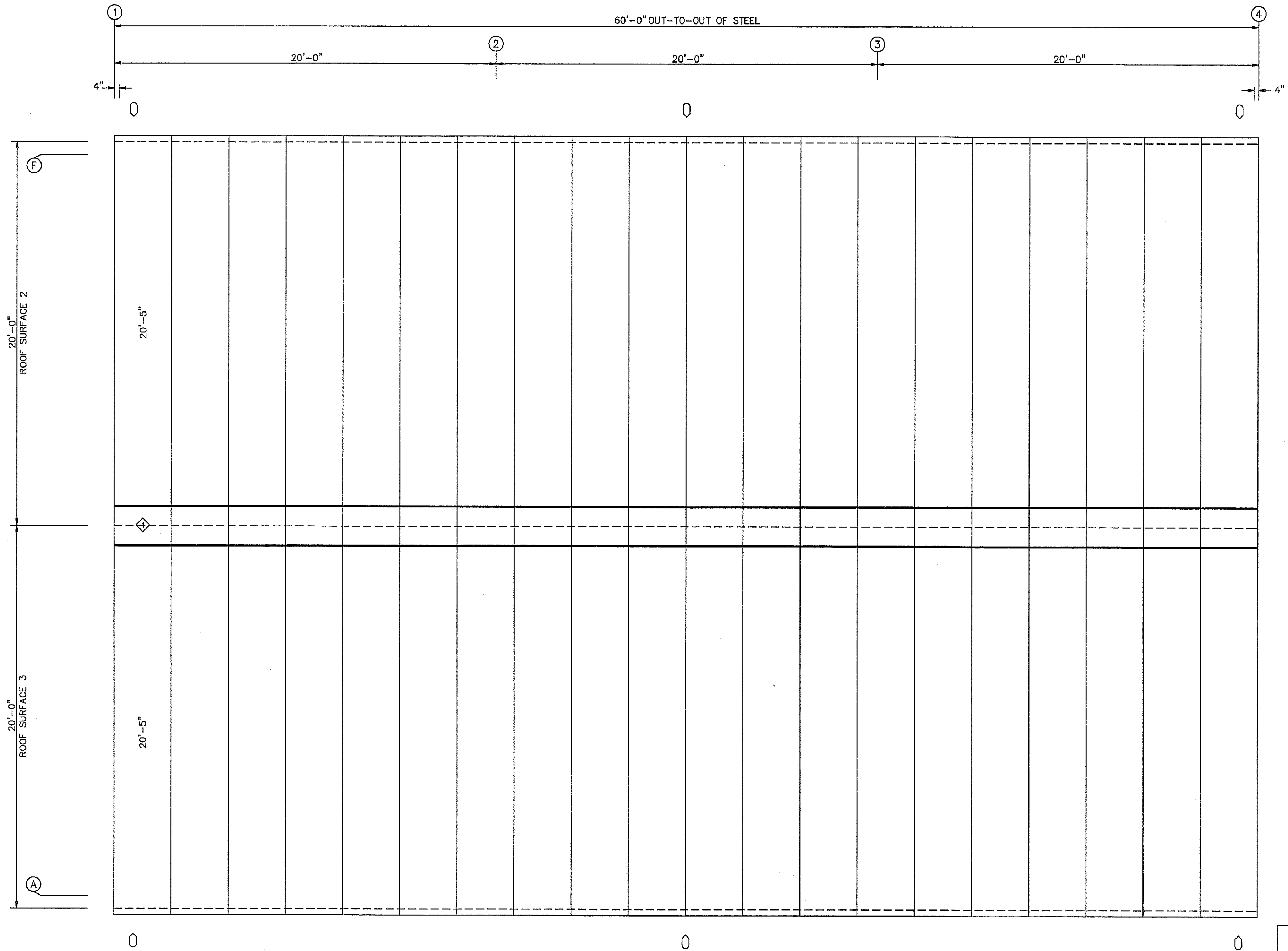
TITLE/LOCATION
I.C. CONSTRUCTION
LAKE CITY, FL

PLAN
WALL SHEETING

JOB #
13325-WS
SHEET 6 OF 13

5-15-2025

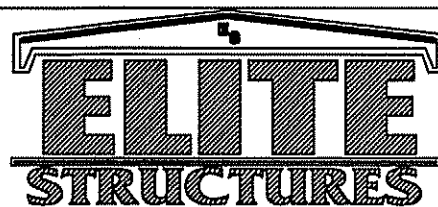
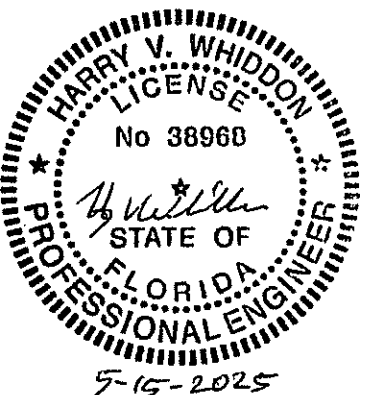
○ DOWNSPOUT LOCATIONS



ROOF SHEETING PLAN
 PANELS: 26 Ga. PBR - Galvalume

TRIM TABLE
ROOF PLAN
GRID PART
1 FL-51

HARRY V. WHIDDON, PE
 111 LONNIE GRIMSLEY RD.
 ADEL, GA 31620
 PE#38968



PH 229-896-7569
 FAX 229-896-7560
 P.O. BOX 207
 ADEL, GA 31620

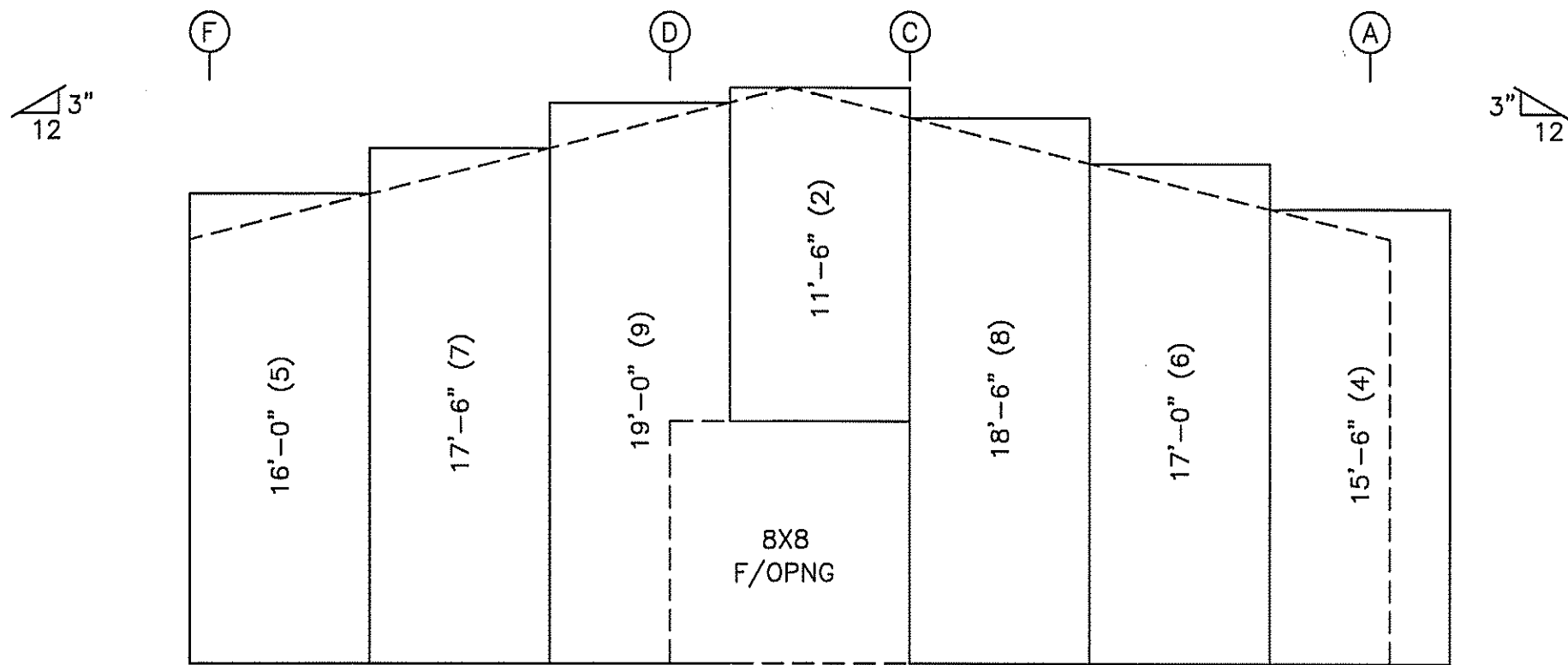
SCALE: N.T.S. DATE: 9/3/24
 DRAWN BY: CREVILL SALESMAN: L.WHITEHURST
 BUILDING SIZE: 40X60X14

REVISION	
DATE	DESCRIPTION
5/14	TOOK OFF SOME OF THE WAINSCOTT

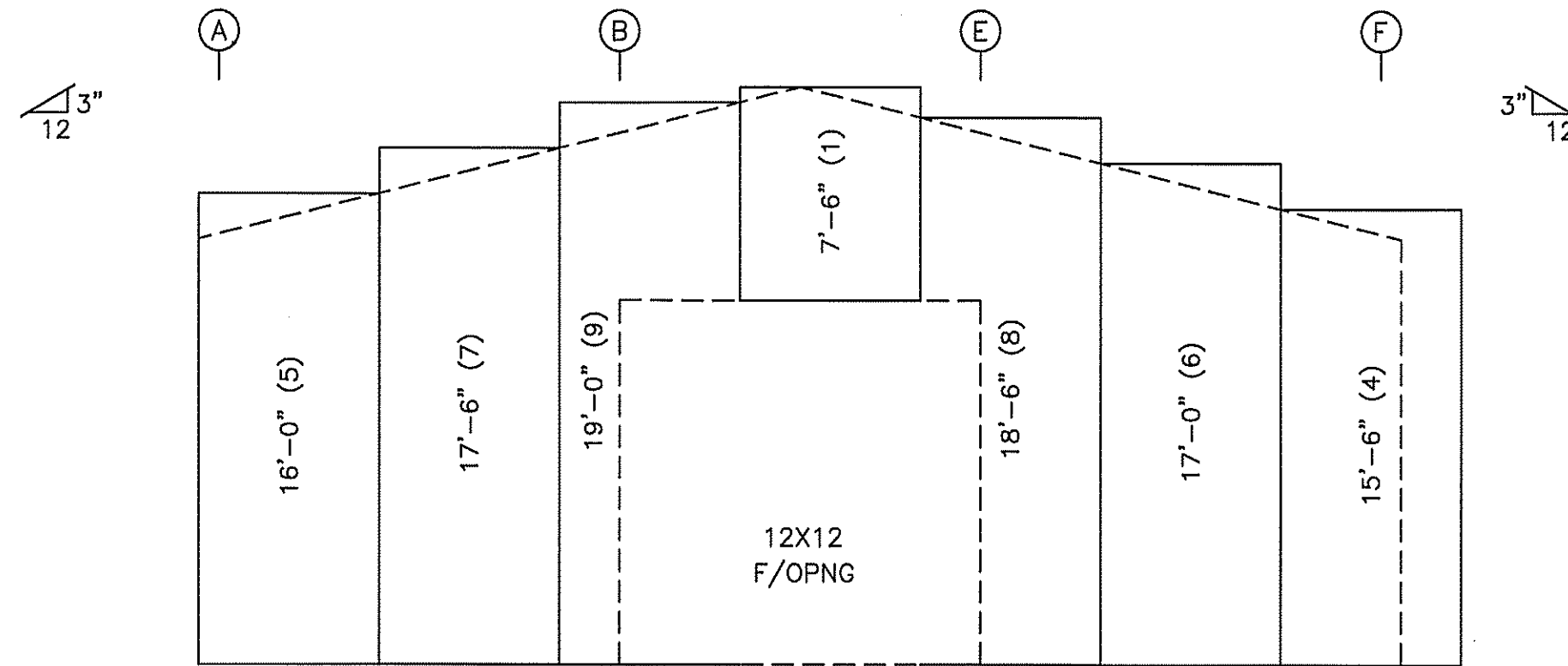
TITLE/LOCATION
 I.C. CONSTRUCTION
 LAKE CITY, FL

PLAN:
 ROOF SHEETING

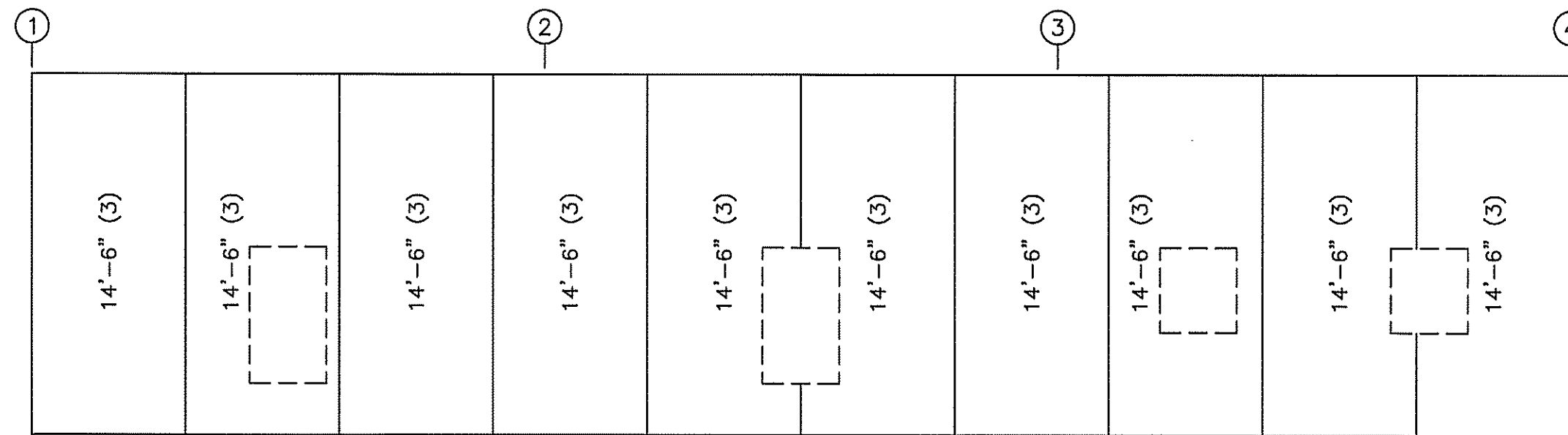
JOB #
 13325-RS
 SHEET 7 OF 13



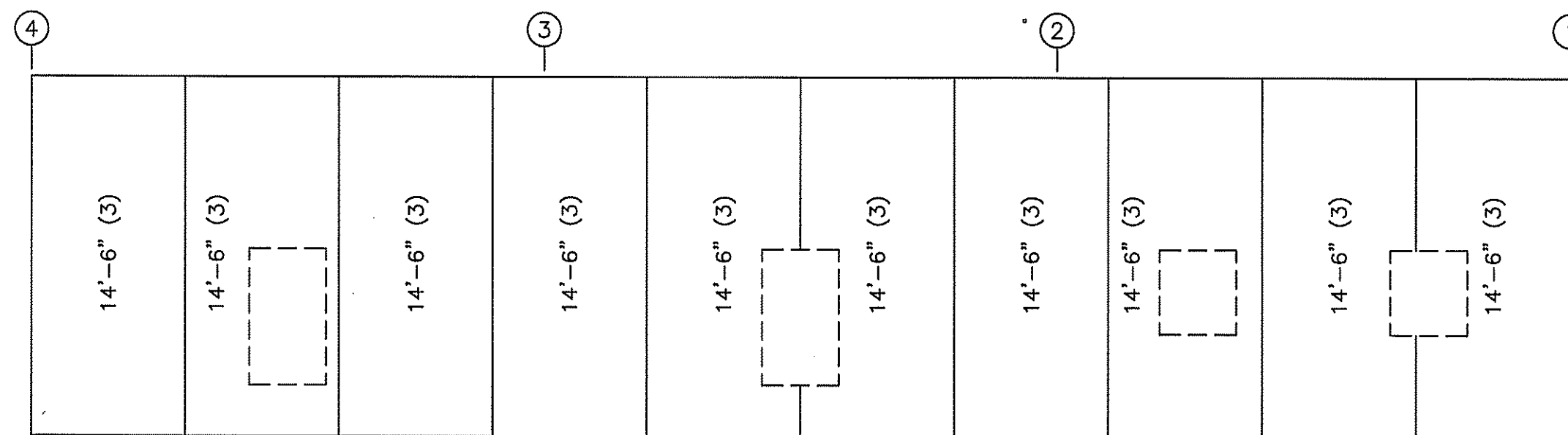
ENDWALL INSULATION: FRAME LINE 1
INSULATION: 4.00" Thick VR



ENDWALL INSULATION: FRAME LINE 4
INSULATION: 4.00" Thick VR



SIDEWALL INSULATION: FRAME LINE A
INSULATION: 4.00" Thick VR

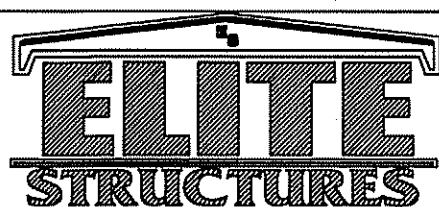
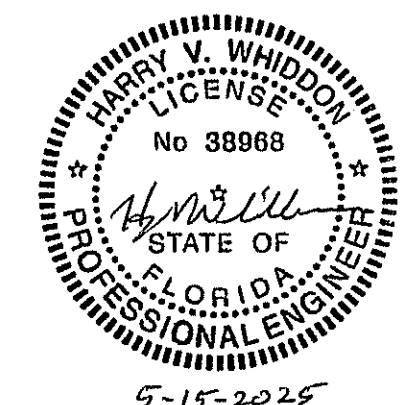


SIDEWALL INSULATION: FRAME LINE F
INSULATION: 4.00" Thick VR

INSULATION TABLE				
FRAME LINE 1 A 4 F				
ROLL	QUAN	MARK	WIDTH	LENGTH
1	1	WI-1	6'-0"	7'-6"
2	1	WI-2	6'-0"	11'-6"
3	20	WI-3	6'-0"	14'-6"
4	2	WI-4	6'-0"	15'-6"
5	2	WI-5	6'-0"	16'-0"
6	2	WI-6	6'-0"	17'-0"
7	2	WI-7	6'-0"	17'-6"
8	2	WI-8	6'-0"	18'-6"
9	2	WI-9	6'-0"	19'-0"

LEGEND:
7'-6" (1)
Length (Roll #)

HARRY V. WHIDDON, PE
111 LONNIE GRIMSLEY RD.
ADEL, GA 31620
PE#38968



PH 229-896-7569
FAX 229-896-7560
P.O. BOX 207
ADEL, GA 31620

SCALE: N.T.S. DATE: 9/3/24
DRAWN BY: C.REVILL SALESMAN: L.WHITEHURST DATE: 5/14
BUILDING SIZE: 40X60X14

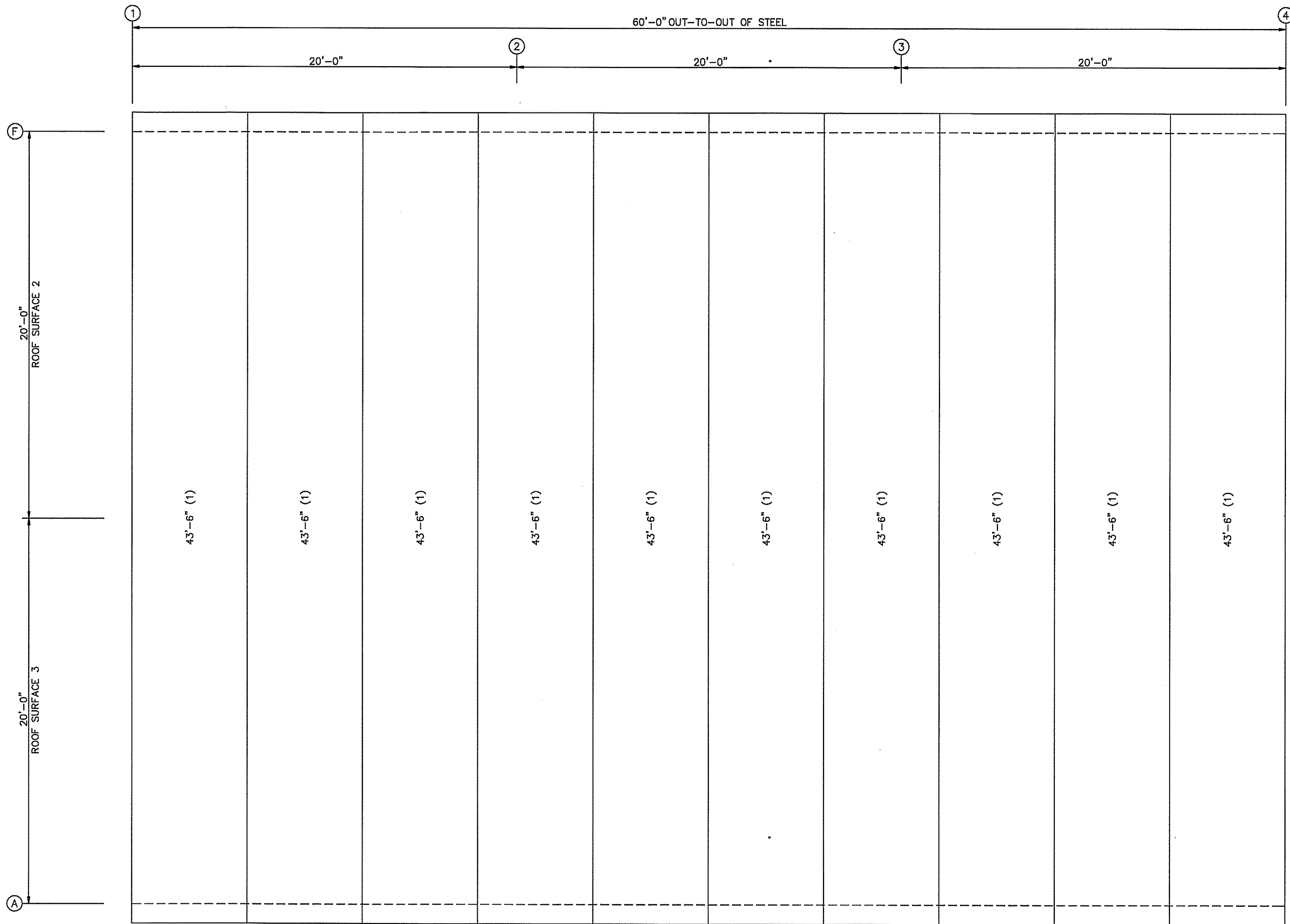
REVISION	
DESCRIPTION	DATE
TOOK OFF SOME OF THE WAINSCOTT	5/14

TITLE/LOCATION
I.C. CONSTRUCTION
LAKE CITY, FL

PLAN:
WALL INSULATION

JOB #
13325-WI
SHEET 8 OF 13

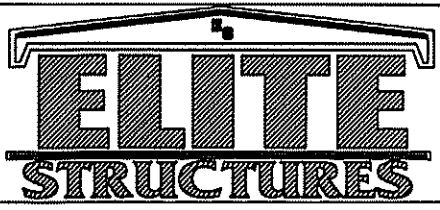
5-15-2025



ROOF INSULATION
INSULATION: 4.00" Thick VR

INSULATION TABLE				
ROOF PLAN				
ROLL	QUAN	MARK	WIDTH	LENGTH
1	10	RI-1	6'-0"	43'-6"

HARRY V. WHIDDON, PE
111 LONNIE GRIMSLEY RD.
ADEL, GA 31620
PE#38968



PH 229-896-7569
FAX 229-896-7560
P.O. BOX 207
ADEL, GA 31620

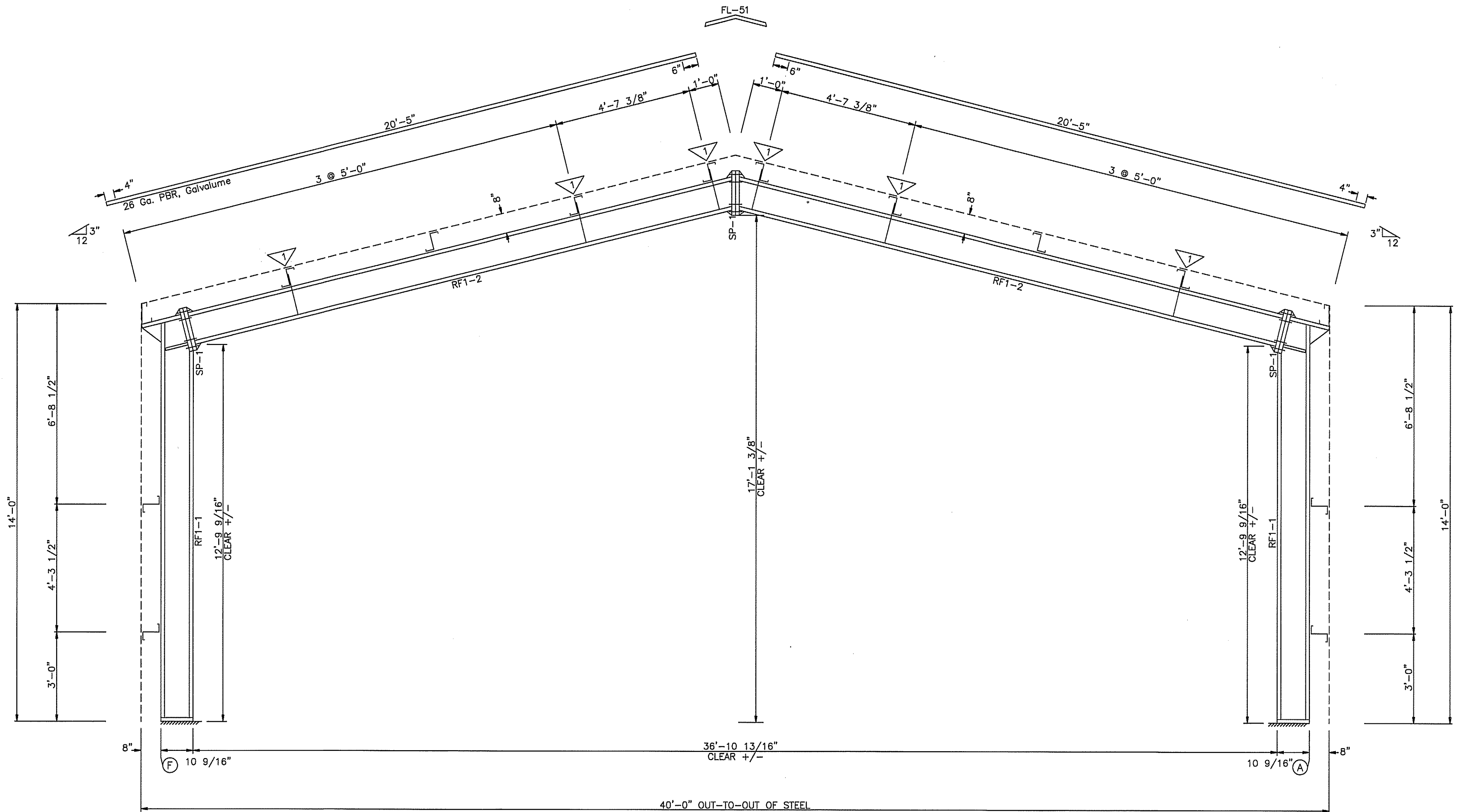
SCALE: N.T.S. DATE: 9/3/24
DRAWN BY: C.REVILL SALESMAN: L.WHITEHURST
BUILDING SIZE: 40X60X14

REVISION	
DATE	DESCRIPTION
5/14	REMOVED SOME OF THE WAINSCOTT

TITLE/LOCATION
I.C. CONSTRUCTION
LAKE CITY, FL

PLAN:
ROOF INSULATION

JOB #
13325-RI
SHEET 9 OF 13



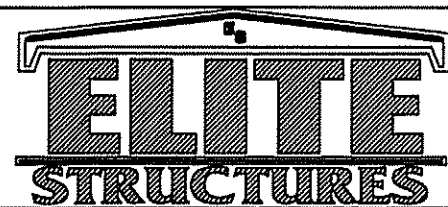
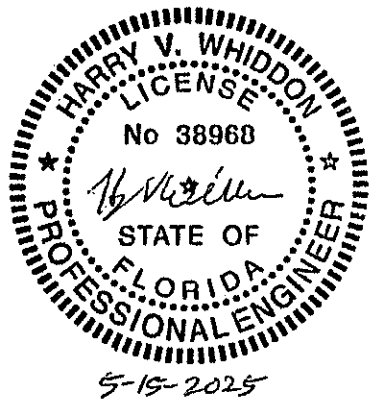
BUILDING CROSS SECTION: FRAME LINE 2 3

FLANGE BRACE TABLE							
FRAME LINE 2 3							
∇ ID	SIDES	MARK	LENGTH	OFFSET	DETAIL	CLIP	CLIP2
1	1	FB31A	2'-7"	2'-4"			

SPLICE BOLT TABLE						
Mark	Qty		Int	Type	Dia	Length
	Top	Bot				
SP-1	4	4	0	A325	0.750	3.00

MEMBER TABLE									
Mark	Weight	Web Depth		Web Plate		Outside Flange		Inside Flange	
		Start	End	Thick	Length	W x Thk x Length	W x Thk x Length	W x Thk x Length	
RF1-1	258	10.0	10.0	0.188	31.4	6 x 1/4" x 161.0	6 x 1/4" x 149.4		
		10.0	10.1	0.188	118.0	6 x 1/4" x 15.4			
		10.1	6.8	0.250	13.3				
RF1-2	365	10.0	10.0	0.188	118.0	6 x 1/4" x 230.4	6 x 1/4" x 227.8		
		10.0	10.0	0.188	112.4				

HARRY V. WHIDDON, PE
 111 LONNIE GRIMSLEY RD.
 ADEL, GA 31620
 PE#38968



PH 229-896-7569
 FAX 229-896-7560
 P.O. BOX 207
 ADEL, GA 31620

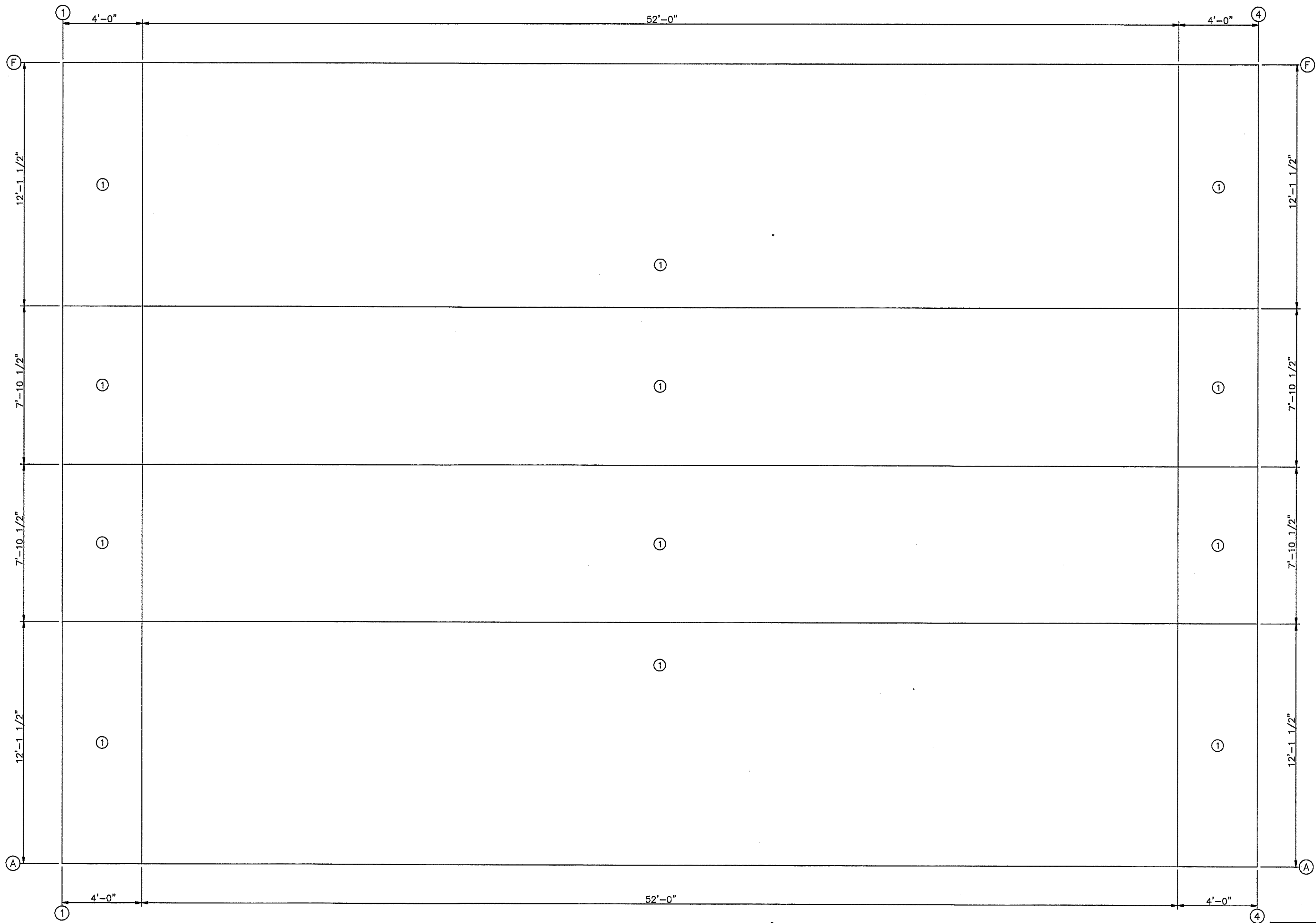
SCALE: N.T.S. DATE: 9/3/24
 DRAWN BY: C.REVILL SALESMAN: L.WHITEHURST DATE: 5/14
 BUILDING SIZE: 40X60X14

REVISION
 DESCRIPTION
 REMOVED SOME OF THE WAINSCOTT

TITLE/LOCATION
 I.C. CONSTRUCTION
 LAKE CITY, FL

PLAN:
 CROSS SECTION

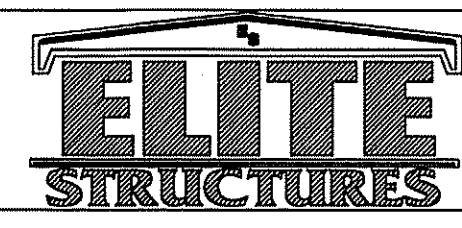
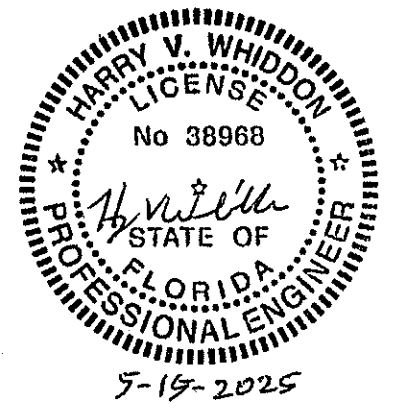
JOB #
 13325-XS
 SHEET 10 OF 13



FASTENER LAYOUT
(Minimum Fastener Spacing)

FASTENER TABLE		
FASTENER ID	SCREW PART	SPACE (in)
1	12x1.25	12.0

HARRY V. WHIDDON, PE
111 LONNIE GRIMSLEY RD.
ADEL, GA 31620
PE#38968



PH 229-896-7569
FAX 229-896-7560
P.O. BOX 207
ADEL, GA 31620

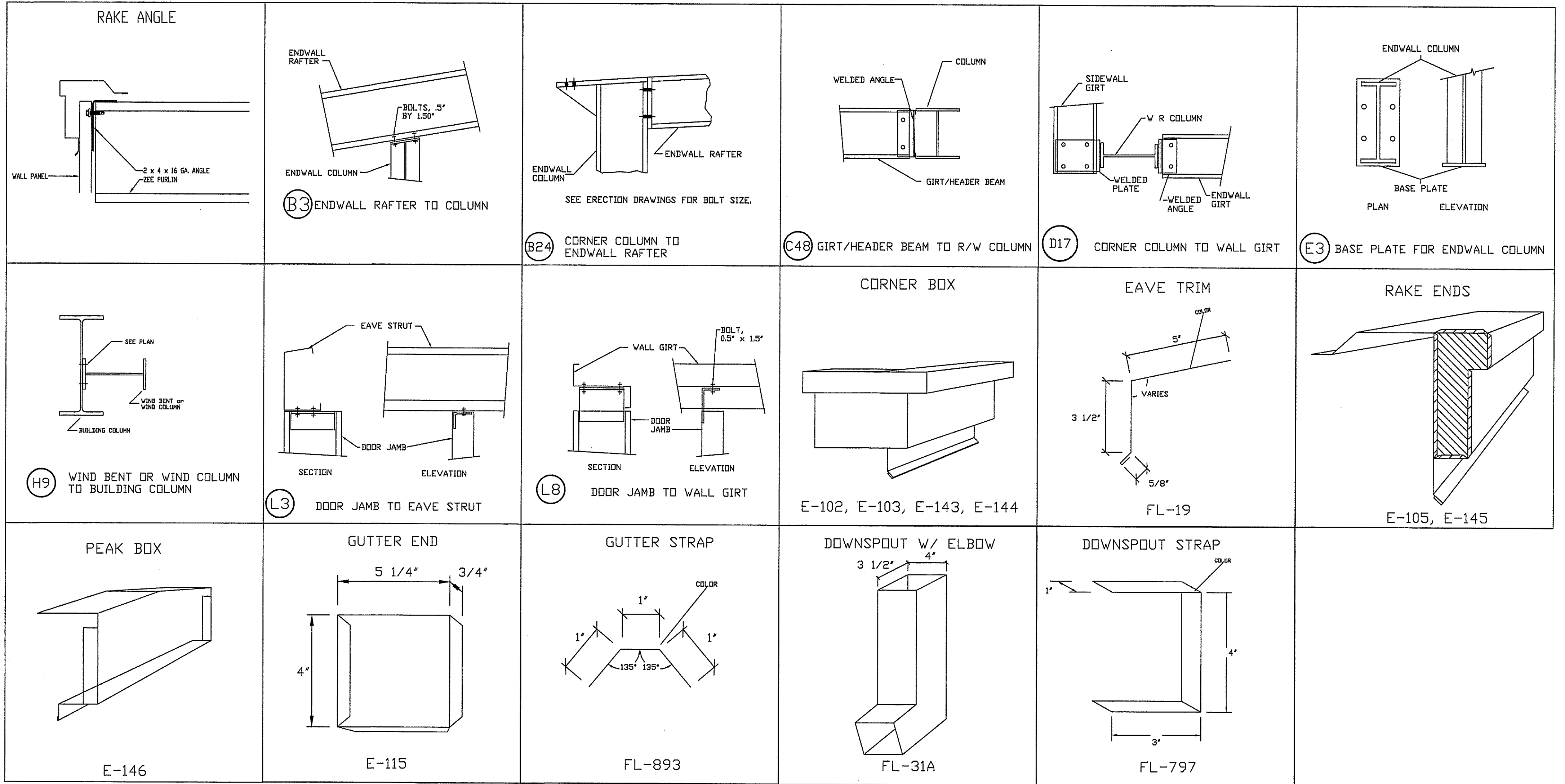
SCALE: N.T.S.	DATE: 9/3/24
DRAWN BY: C.REVILL	SALESMAN: L.WHITEHURST
BUILDING SIZE: 40X60X14	

REVISION	
DATE	DESCRIPTION
5/14	REMOVED SOME OF THE WAINSCOTT

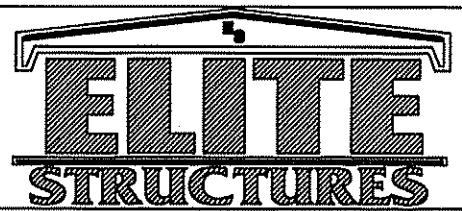
TITLE/LOCATION
I.C. CONSTRUCTION
LAKE CITY, FL

PLAN:
FASTENER LAYOUT

JOB #
13325-FL
SHEET 11 OF 13



HARRY V. WHIDDON, PE
 111 LONNIE GRIMSLEY RD.
 ADEL, GA 31620
 PE#38968



PH 229-896-7569
 FAX 229-896-7560
 P.O. BOX 207
 ADEL, GA 31620

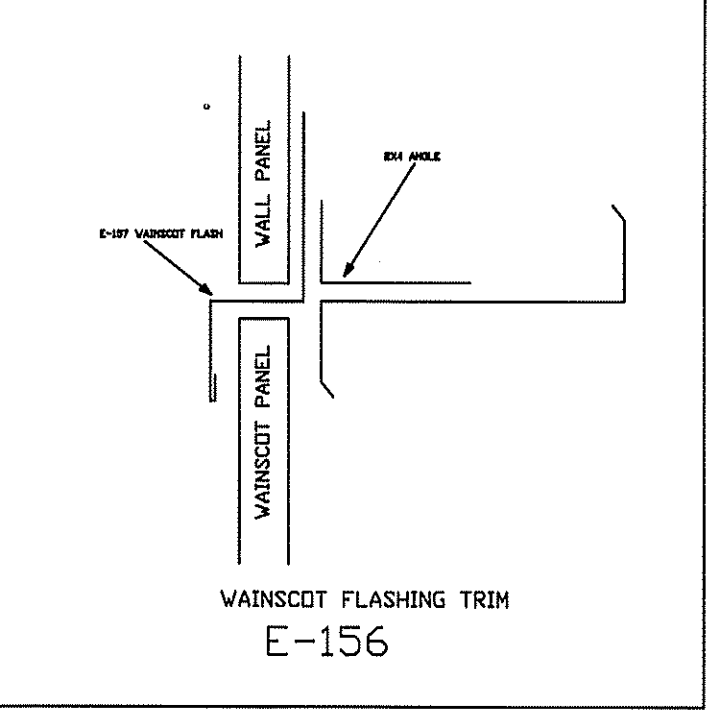
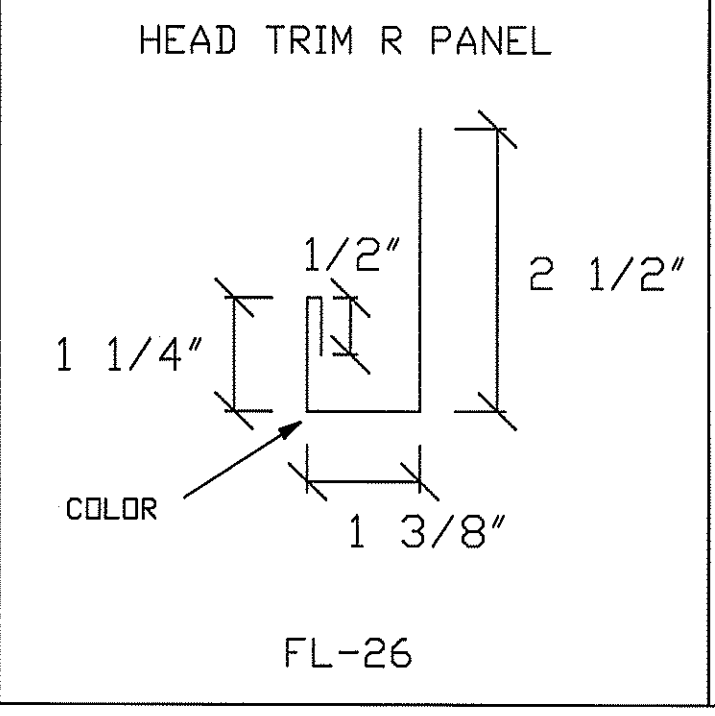
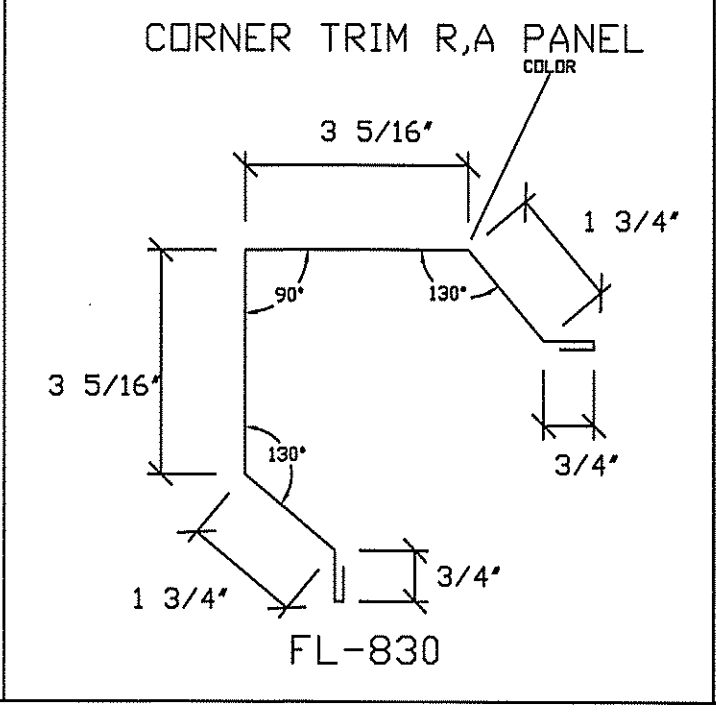
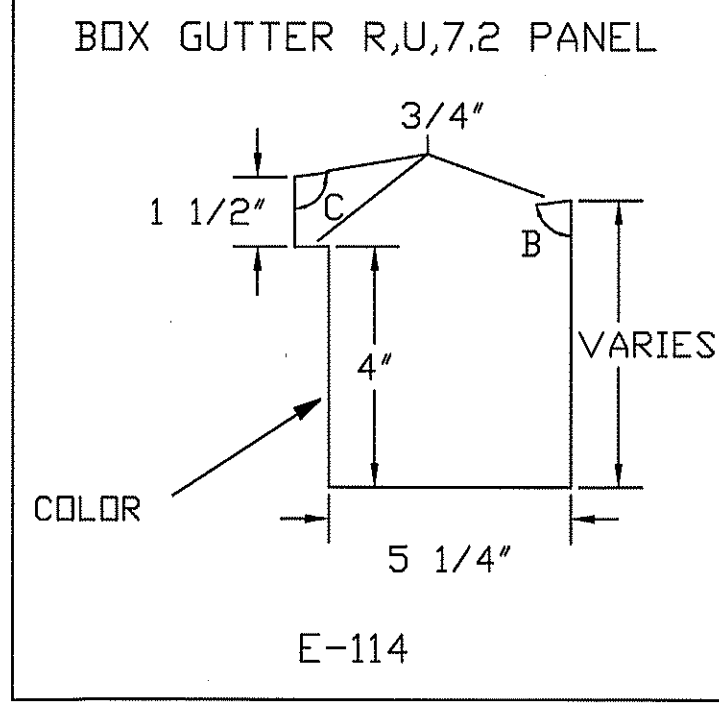
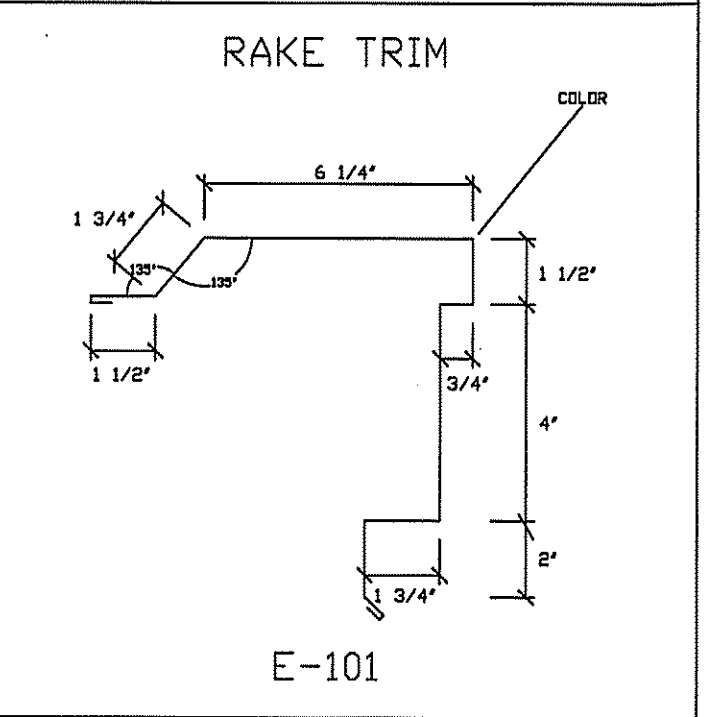
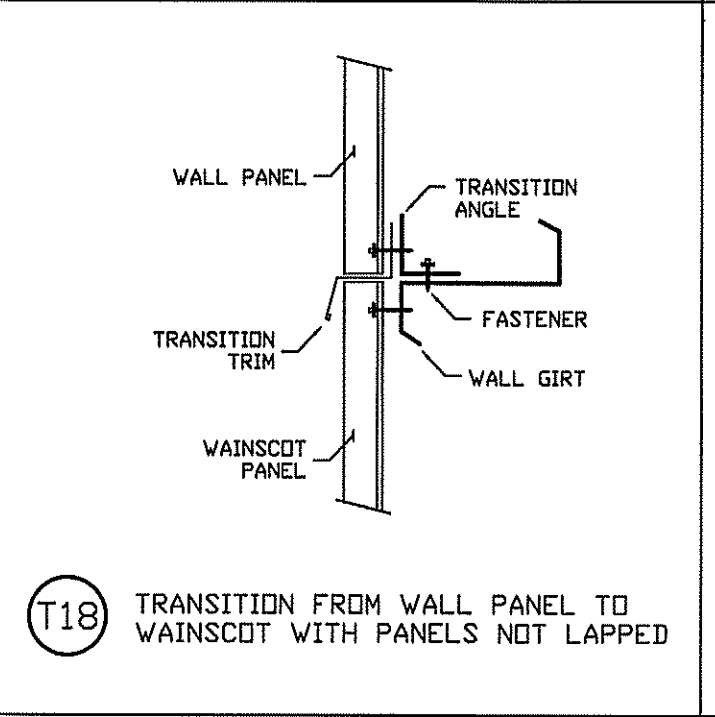
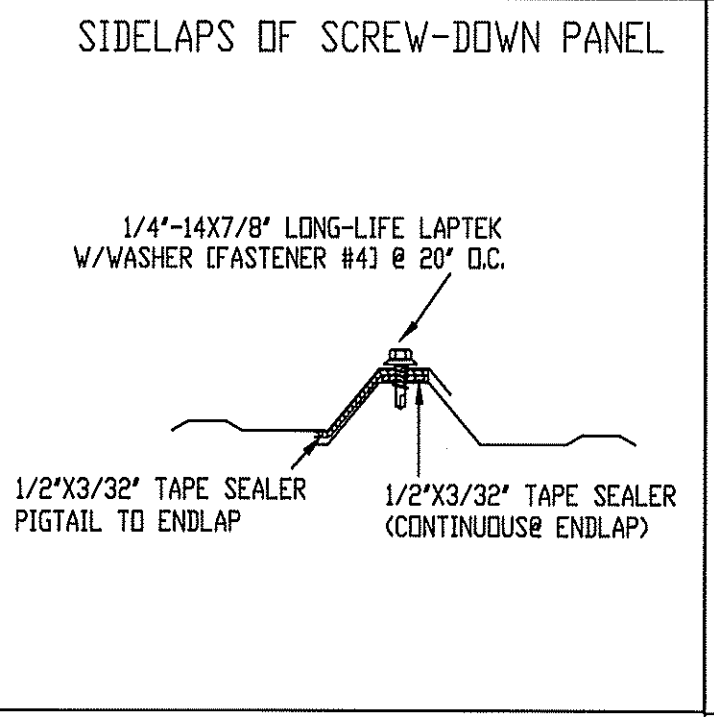
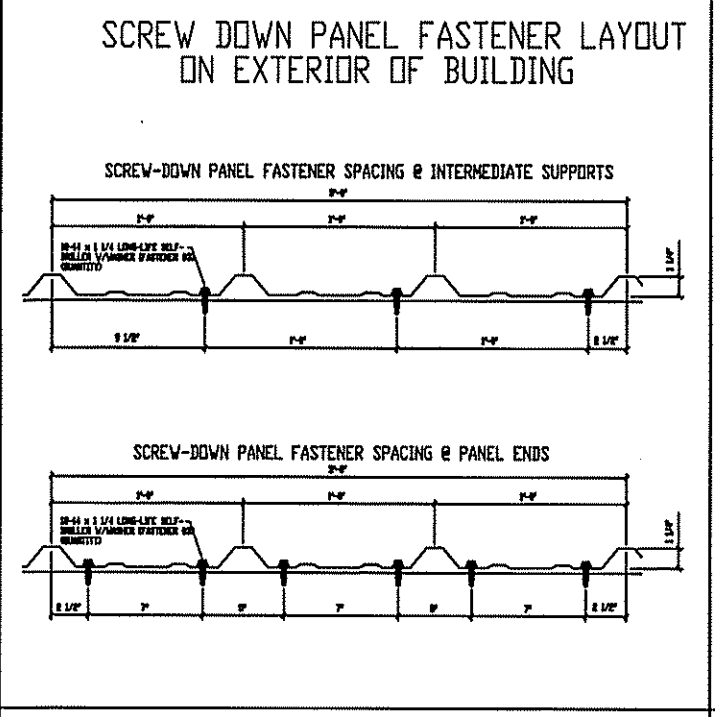
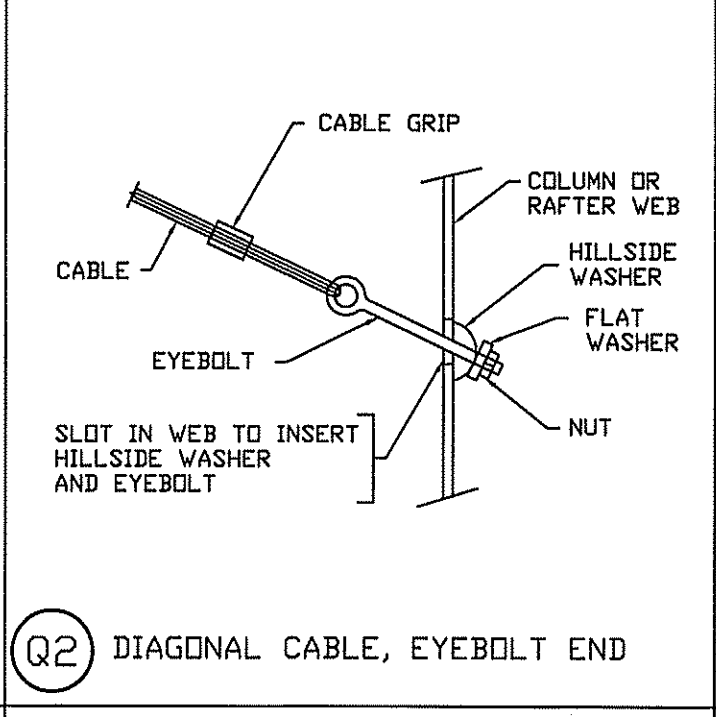
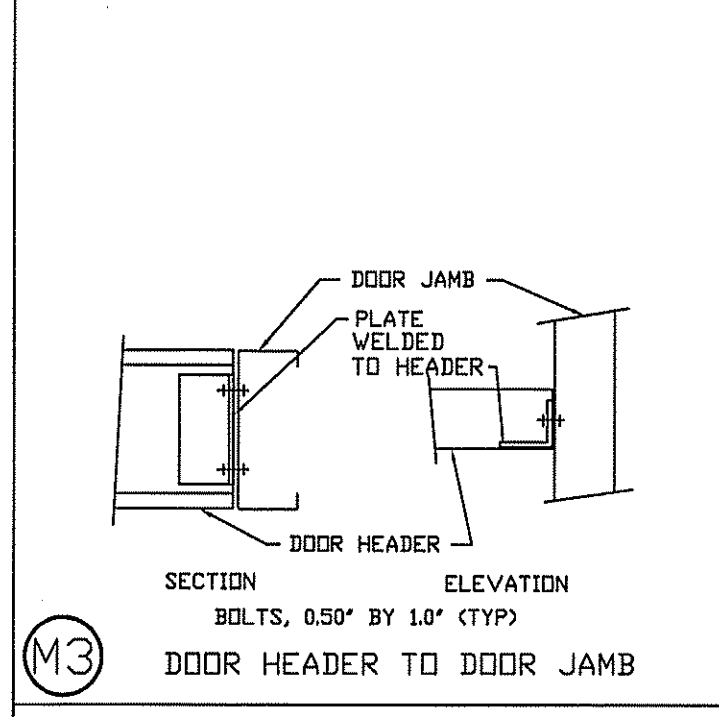
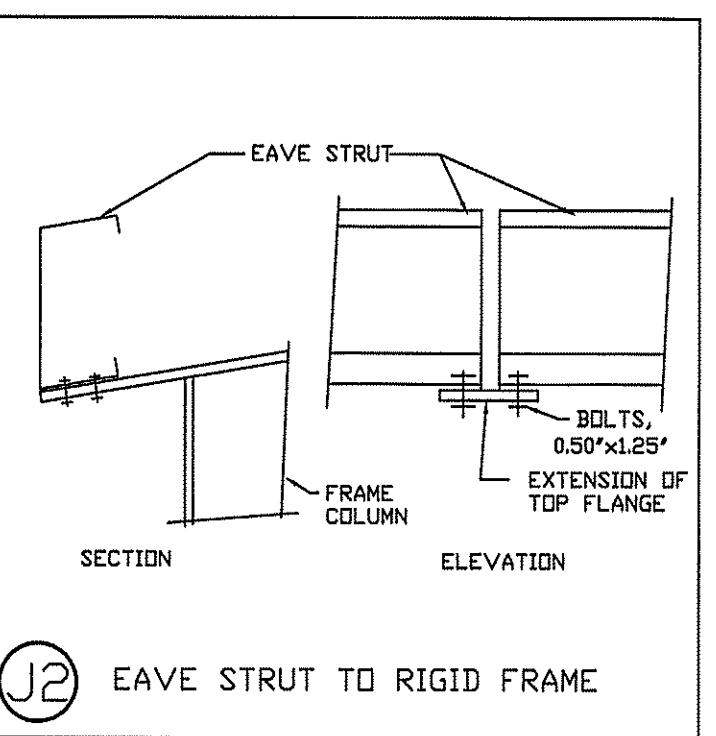
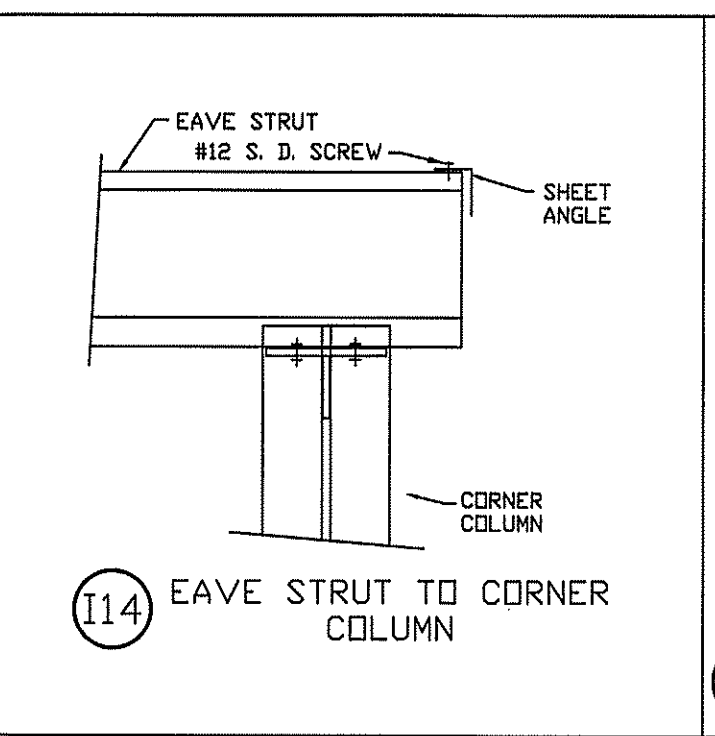
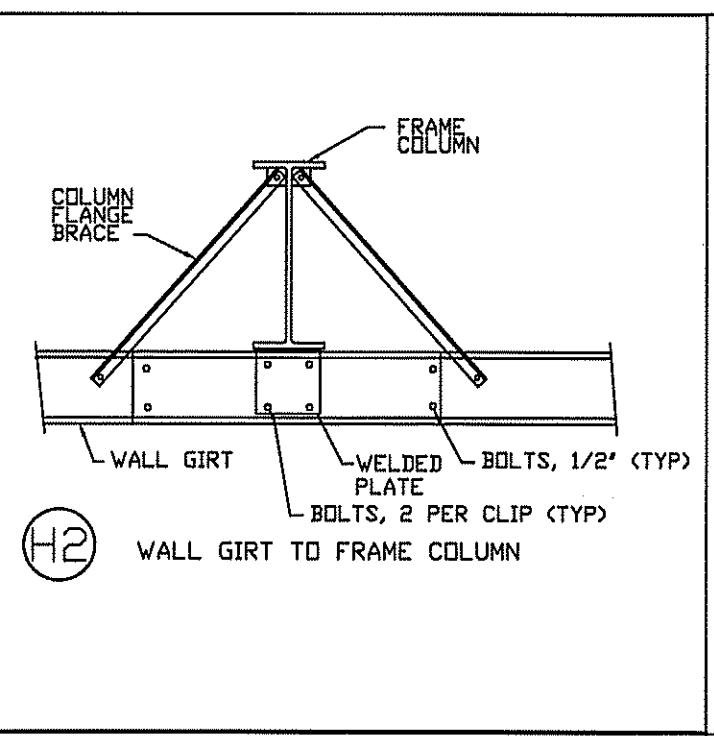
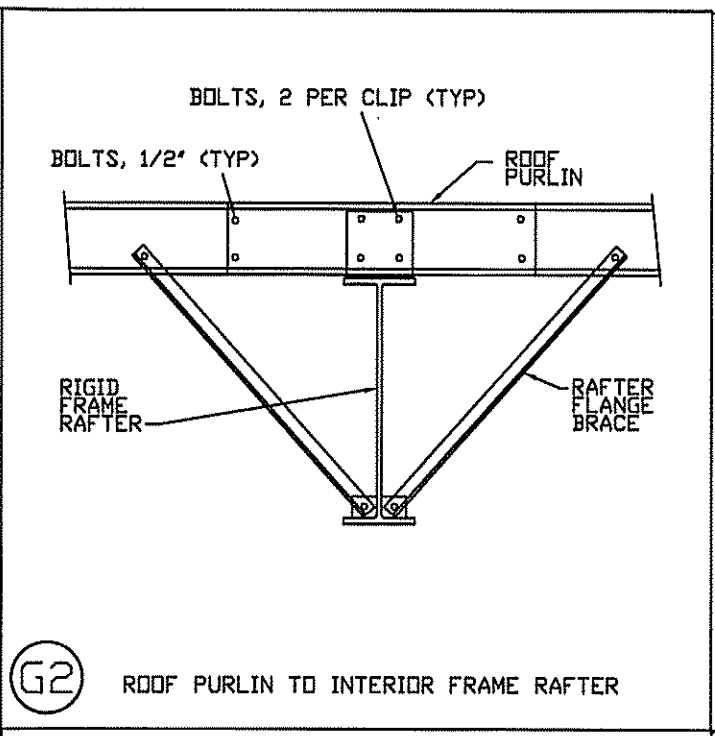
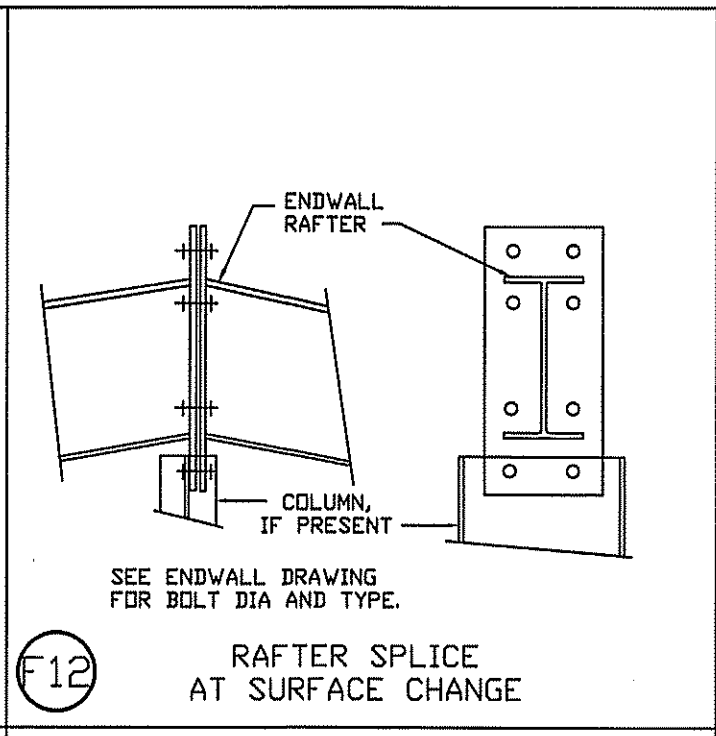
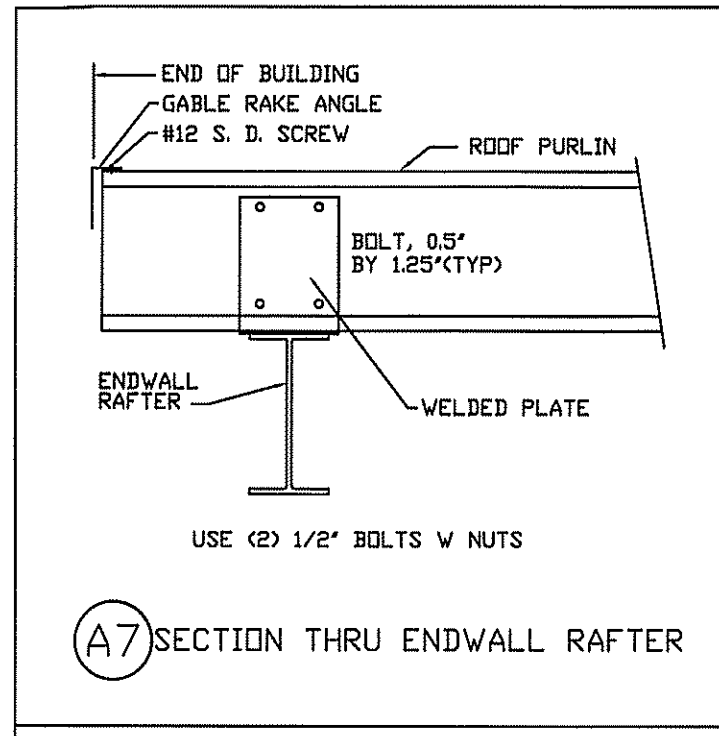
SCALE: N.T.S. DATE: 9/3/24
 DRAWN BY: C.REVILL SALESMAN: L.WHITEHURST
 BUILDING SIZE: 40X60X14

REVISION	
DATE	DESCRIPTION
5/14	REMOVED SOME OF THE WAINSCOTT

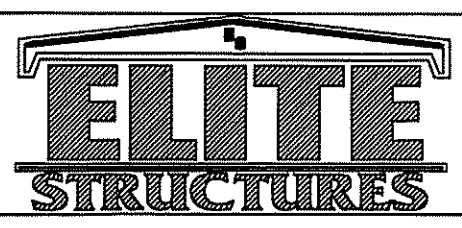
TITLE/LOCATION
 I.C. CONSTRUCTION
 LAKE CITY, FL

PLAN:
 DETAIL PAGE-1

JOB #
 13325-DP-1
 SHEET 12 OF 13



HARRY V. WHIDDON, PE
111 LONNIE GRIMSLEY RD.
ADEL, GA 31620
PE#38968



PH 229-896-7569
FAX 229-896-7560
P.O. BOX 207
ADEL, GA 31620

SCALE: N.T.S. DATE: 9/3/24
DRAWN BY: C.REVILL SALESMAN: L.WHITEHURST
BUILDING SIZE: 40X60X14

REVISION	
DATE	DESCRIPTION
5/14	REMOVE SOME OF THE WAINSCOTT

TITLE/LOCATION
I.C. CONSTRUCTION
LAKE CITY, FL

PLAN:
DETAIL PAGE-2

JOB #
13325-DP-2
SHEET 13 OF 13

5-15-2025