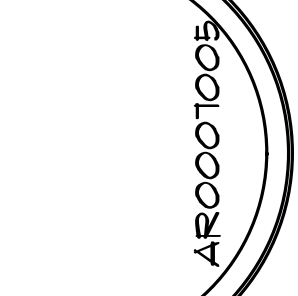


REVISIONS
April 20, 2021

SOFTPLAN
ARCHITECTURAL DESIGN SOFTWARE

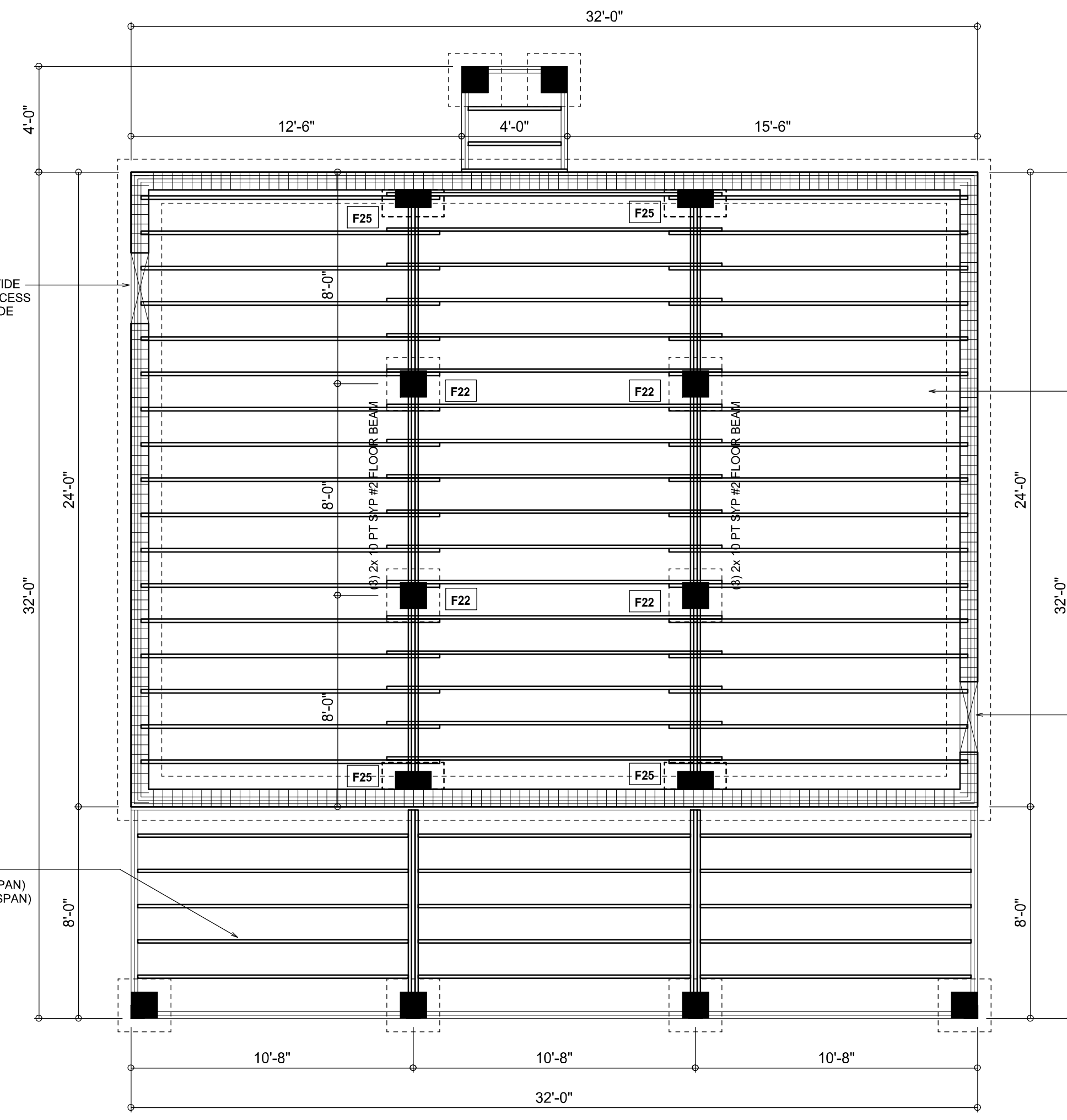
A CUSTOM HOME DESIGN FOR:
JOHN HADLEY
PROJECT ADDRESS: 826 NW ASH RD, COLUMBIA COUNTY, FLORIDA 32055
PARCEL # 21-35-16-022-15-014



NICHOLAS PAUL GEISLER ARCHITECT
N.C.A.R.B. Certified
1758 NW Brown Rd.
Lake City, FL 32055
365-4355

JOB NUMBER
20201230

SHEET NUMBER
S.1
OF 5 SHEETS



FOUNDATION / FLOOR FRAMING PLAN

SCALE: 1/4" = 1'-0"

BUILDER TO PROVIDE 1 FT2 OF UNDER FLOOR VENT FOR EACH 150 sq. ft. OF CRAWLSPACE AREA

TYPICAL FLOOR FRAMING
-2x10 SYP PT #2 FLOOR JOISTS @ 16" OC (BLOCK @ ALL BEARING POINTS)
-3) 2x10 SYP PT #2 GIRDERS (LOCATION AS SHOWN)
-3) 2x10 SYP PT #2 RIM BEAM (NOTCH OUTER RIM BETWEEN PORCH GIRDER)

TYPICAL PORCH FLOOR FRAMING
-2x6 SYP PT #2 JOISTS @ 16" OC (8'-0" MAX SPAN)
-2x8 SYP PT #2 JOISTS @ 16" OC (10'-8" MAX SPAN) w/ LUS28 @ EACH END
-3) 2x8 SYP PT #2 GIRDERS (LOCATION AS SHOWN)
-2) 2x8 SYP PT #2 RIM BEAM
-1) 2x8 SYP PT #2 BETWEEN EACH GIRDER

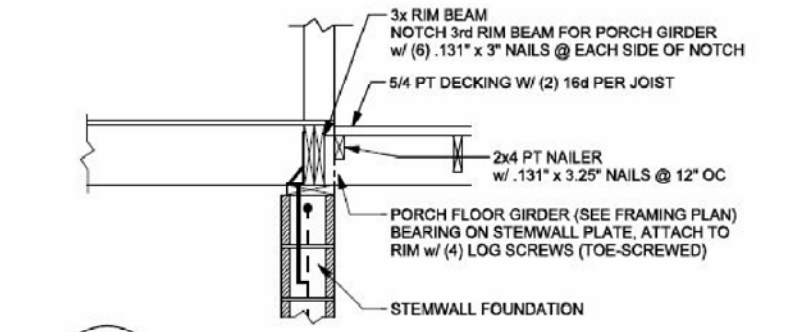
BUILDER IS TO HAVE TERMITE PROTECTION PROVIDED BY REGISTERED TERMINICIDES, INCLUDING SOIL APPLIED PESTICIDES. UPON COMPLETION OF THE APPLICATION OF TERMITE PROTECTIVE TREATMENT, A CERTIFICATE OF COMPLIANCE SHALL BE ISSUED TO THE BUILDING DEPARTMENT BY THE LICENSED PEST CONTROL COMPANY THAT CONTAINS THE FOLLOWING STATEMENT: "The building has received a complete treatment for the prevention of subterranean termites. Treatment is in accordance with rules and laws established by the Florida Department of Agriculture and Consumer Services."

UNDER FLOOR VENTILATION (2020 FBC, 7TH EDITION):
MIN. NET AREA = 576 FT² / 150 = 3.8 FT² MIN.
AND ONE VENT WITHIN 3'-0" OF EACH CORNER.

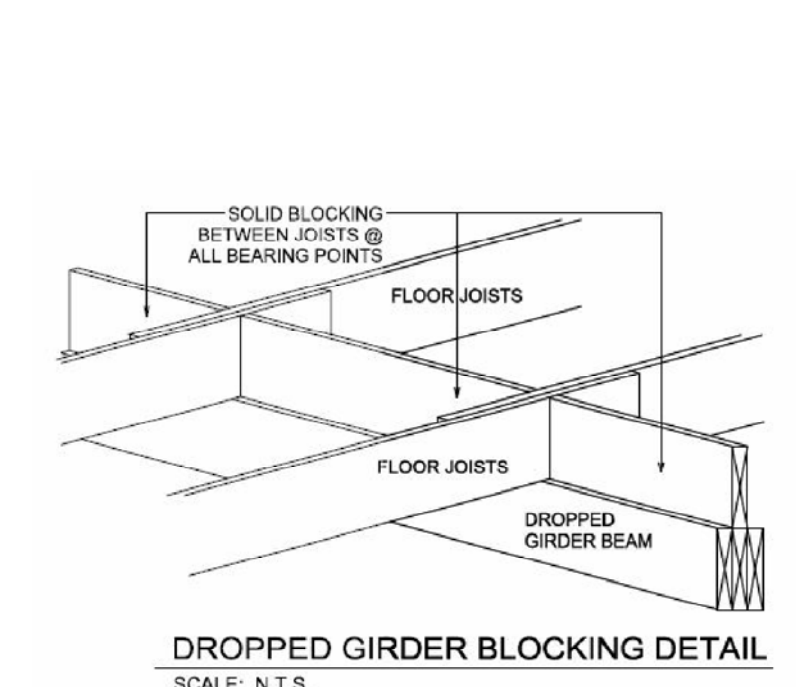
BUILDER TO PROVIDE VENTING AT BLOCKING COURSING JUST BELOW TIE-BEAM BY TURNING BLOCKS SIDEWAYS COVERED WITH ONE OF THE FOLLOWING:

1. Perforated sheet metal plates not less than 0.070" thick.
2. Expanded sheet metal plates not less than 0.047" thick.
3. Cast-iron grill or grating.
4. Exuded load-bearing brick vents.
5. Hardware cloth of 0.035" wire or heavier.
6. Corrosion-resistant wire mesh, with the least dimension being 1/8" thick.

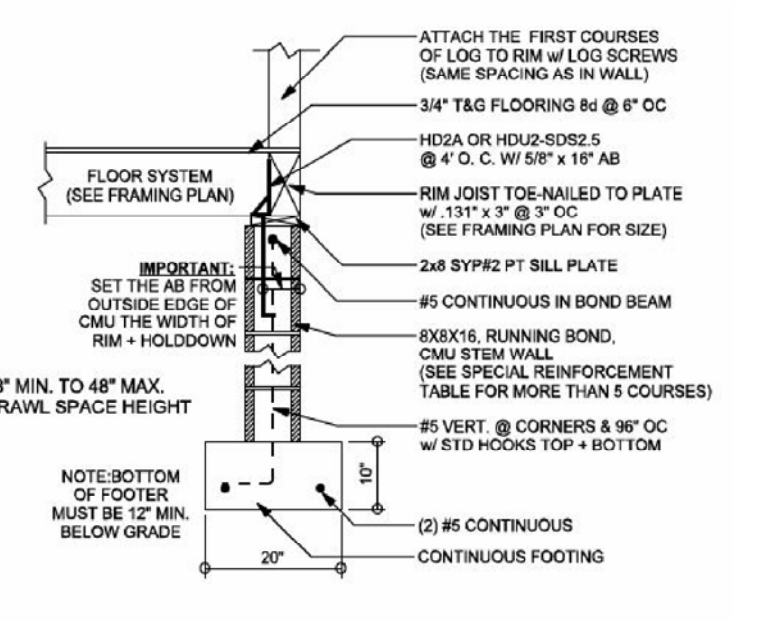
BUILDER TO PROVIDE UNDER FLOOR ACCESS PER BUILDING CODE (R408.4)



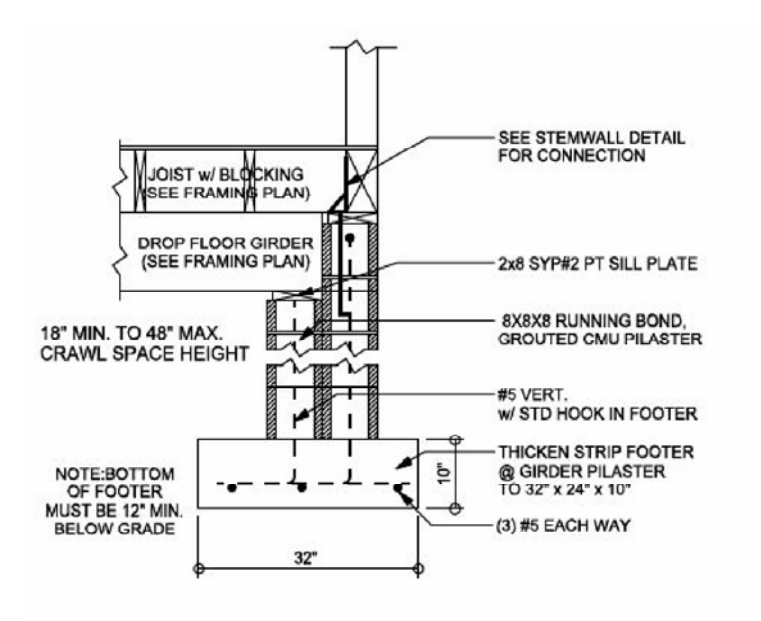
F69 PORCH FLOOR CONNECTION @ HOUSE
FLOOR GIRDER NOTCHED INTO RIM SCALE: 1/2" = 1'-0"



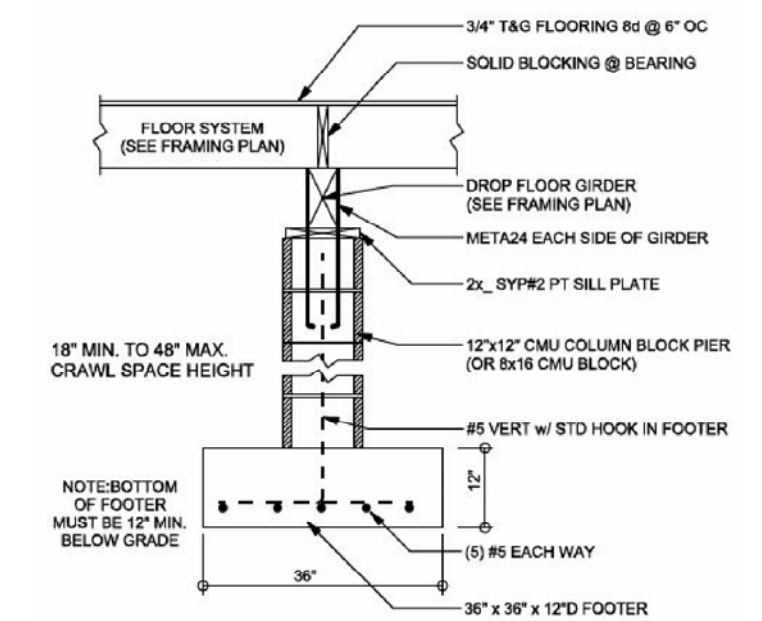
DROPPED GIRDER BLOCKING DETAIL
SCALE: N.T.S.



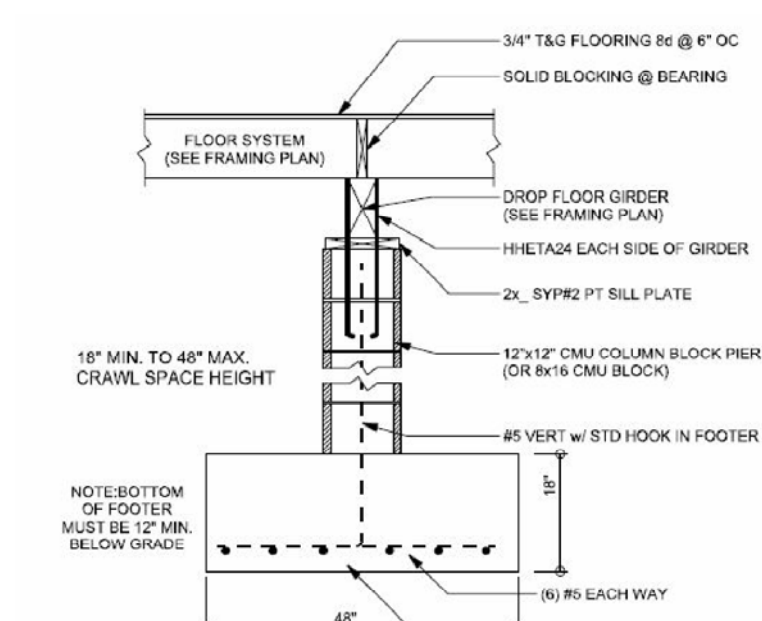
F11 STEMWALL FOUNDATION (10" x 20")
WOOD FLOOR OVER CRAWLSPACE SCALE: 1/2" = 1'-0"



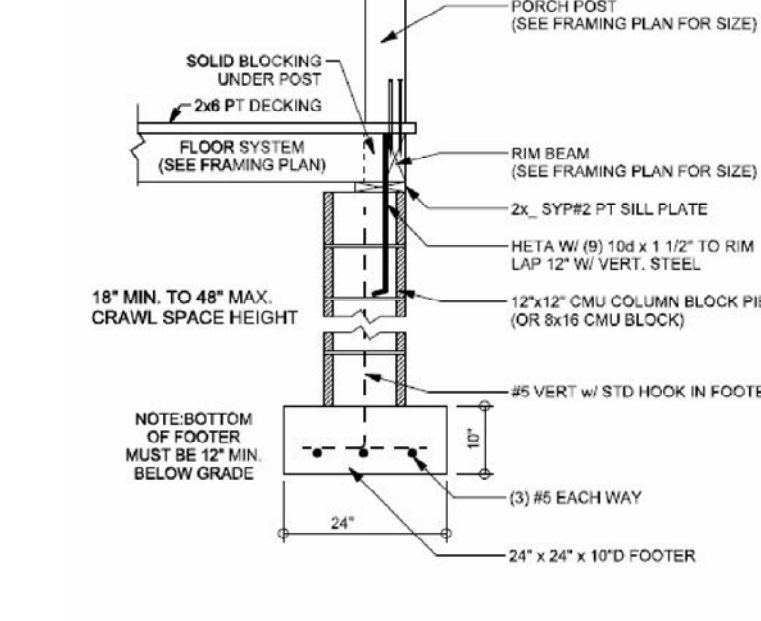
F25 8x8 PILASTER @ GIRDER BEARING
WOOD FLOOR OVER CRAWLSPACE SCALE: 1/2" = 1'-0"



F22 PIER FOUNDATION (36" x 36" x 12")
CMU PIER w/ UPLIFT (DROPPED GIRDER) SCALE: 1/2" = 1'-0"

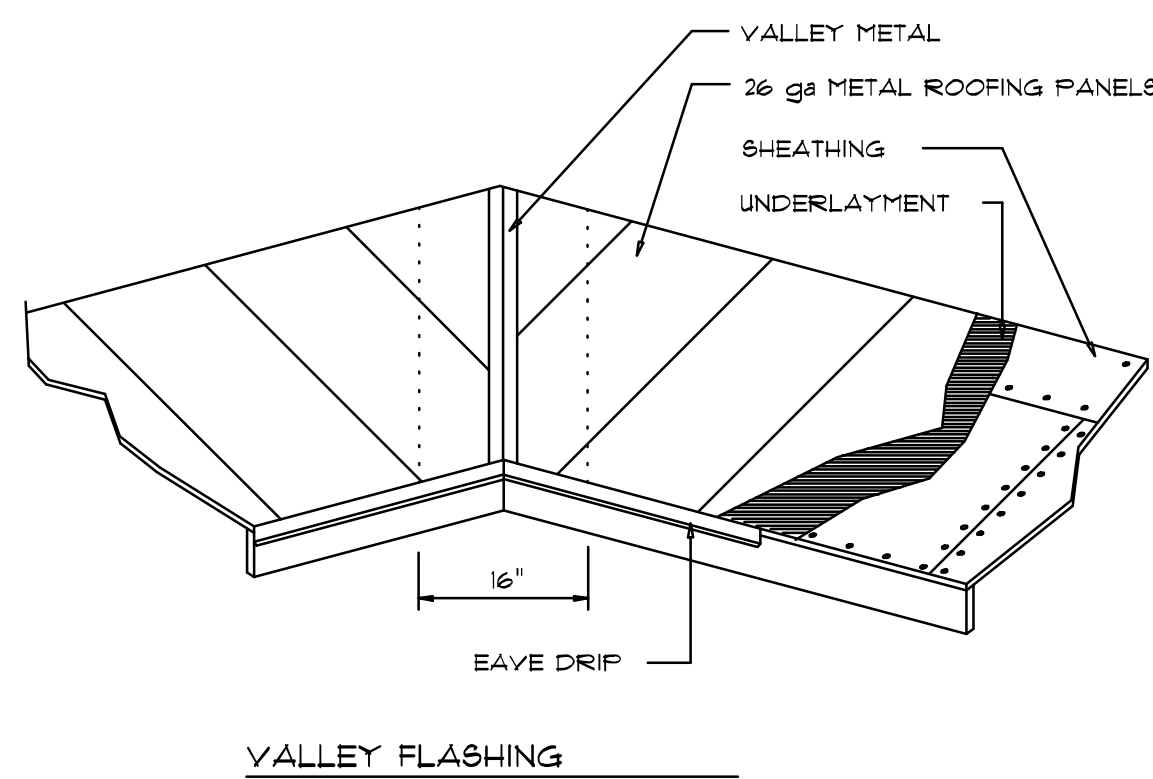


F23 PIER FOUNDATION (48" x 48" x 18")
CMU PIER w/ UPLIFT (DROPPED GIRDER) SCALE: 1/2" = 1'-0"



F20 PORCH PIER (24" x 24" x 10")
CMU PIER w/ UPLIFT AT PORCH POST SCALE: 1/2" = 1'-0"

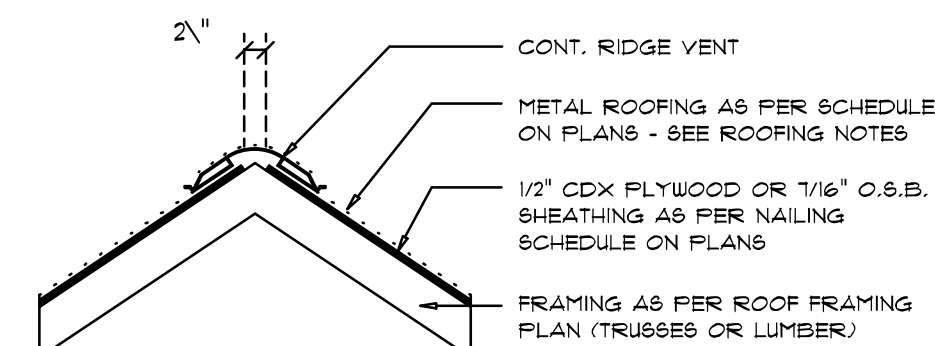
NOTE: ALL DRAWINGS NOT TO BE SCALED, WRITTEN DIMENSIONS TAKE PRECEDENCE OVER SCALED DIMENSIONS



ROOFING METALS for FLASHING/ROOFING MINIMUM THICKNESS REQUIREMENTS			
MATERIAL	MINIMUM THICKNESS (in.)	GAGE	WEIGHT (OZ.)
COPPER			16
ALUMINUM	0.024		
STAINLESS STEEL		28	
GALVANIZED STEEL	0.0175	26 (ZINC COATED G30)	
ZINC ALLOY LEAD PAINTED TERNE	0.021		40 20

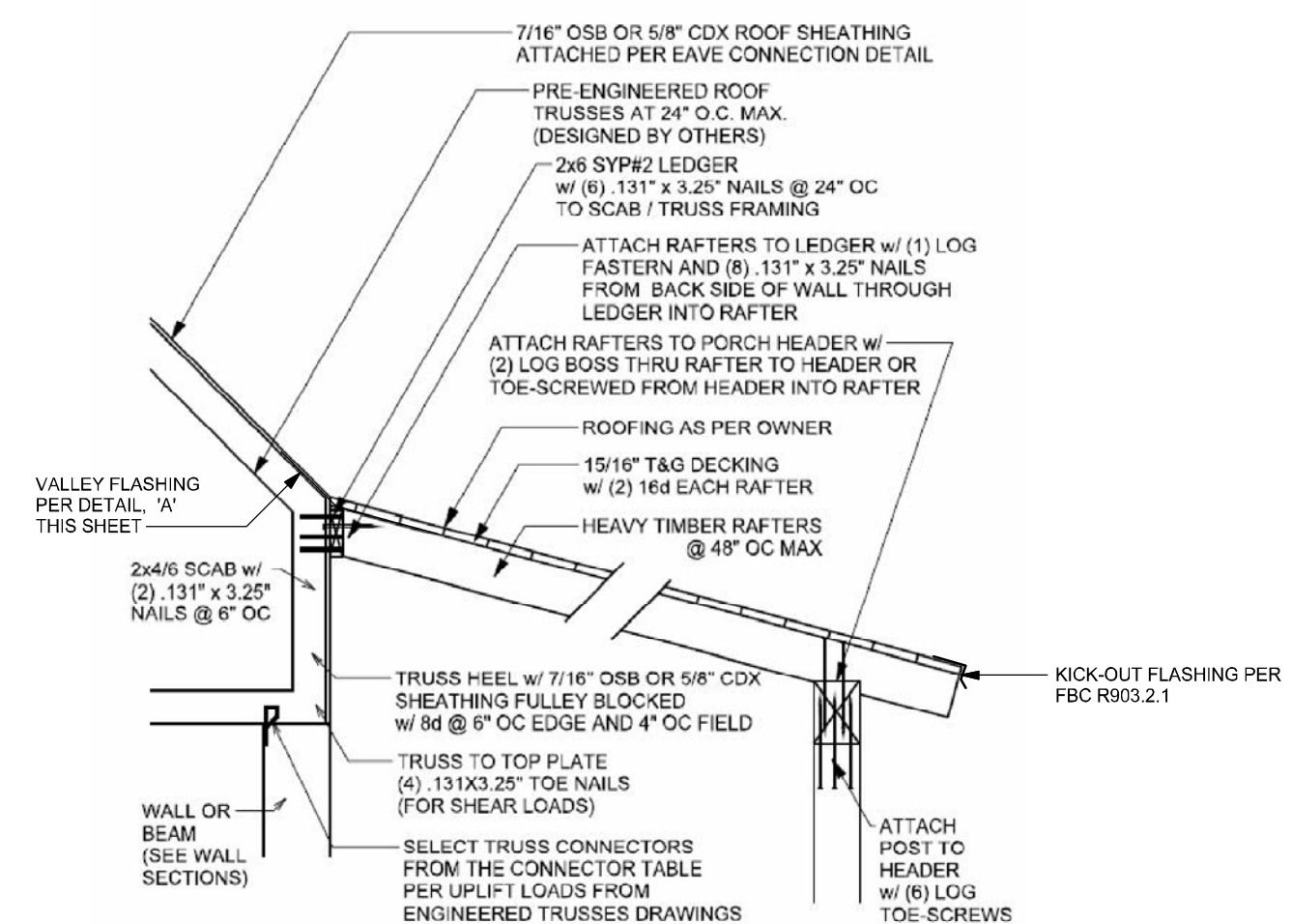
Roofing/Flashing DETS.

SCALE: NONE

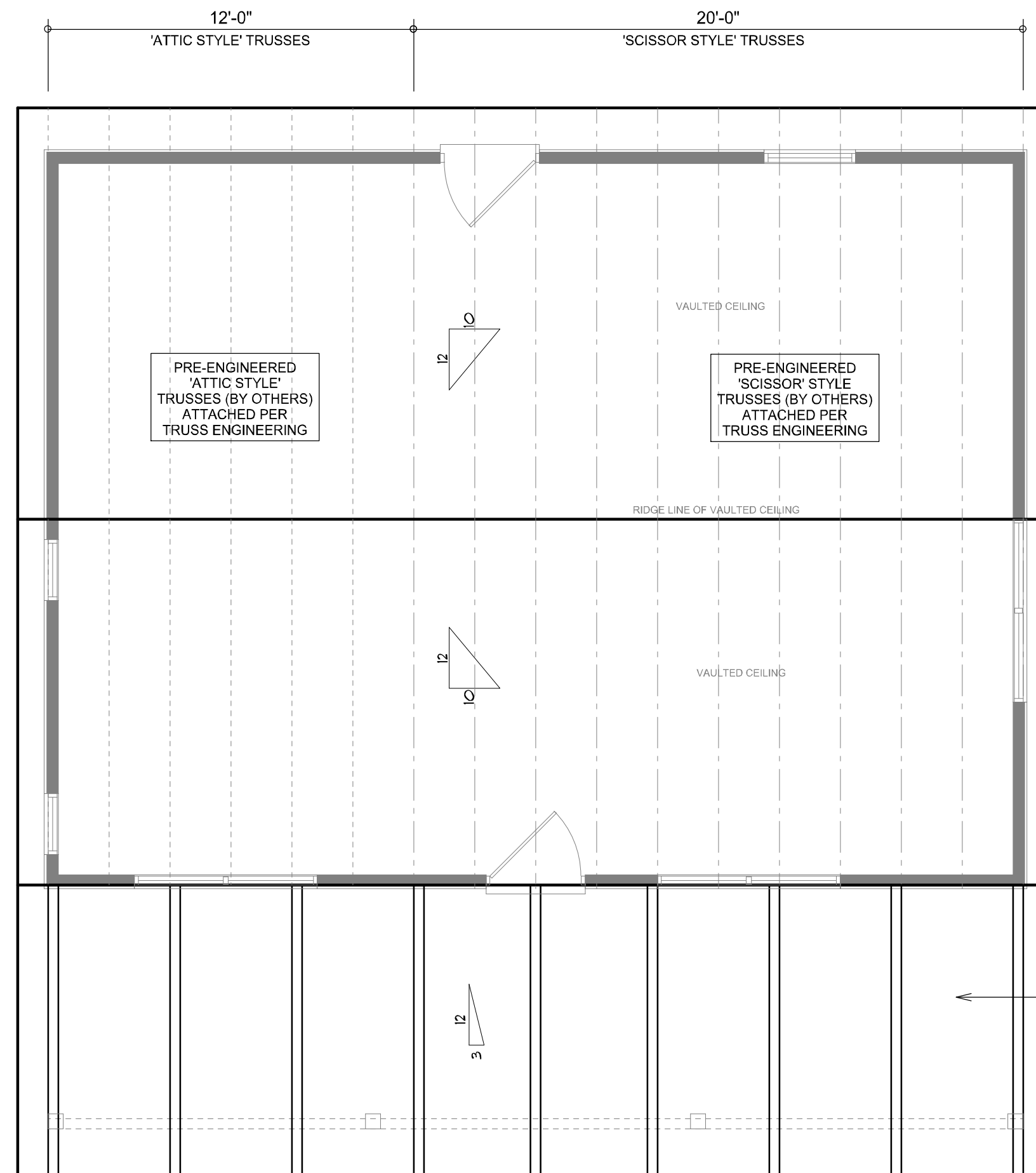


Ridge Vent DETAIL

SCALE: 3/4" = 1'-0"



R74 TYP. PORCH @ TRUSS HEEL DETAIL HEAVY TIMBER RAFTERS 8' MAX SPAN



ROOF FRAMING PLAN

SCALE: 1/4" = 1'-0"

TYPICAL PORCH ROOF FRAMING
-4x6 CYP#2 RAFTERS @ 48" OC
w/ LUS46 TO LEDGER / WALL
(2) LOG BOSS TO HEADER
-4x8 CYP#2 HIP RAFTERS
w/ LUS46 TO LEDGER / WALL
(2) LOG BOSS TO HEADER

THE CONTRACTOR SHALL COORDINATE THE TRUSS TO TRUSS ANCHOR REQUIREMENTS WITH THE TRUSS ENGINEERING SHOP DRAWINGS. SOME OF THE TRUSS TO TRUSS CONNECTIONS WILL REQUIRE ANCHOR STRAPS IN ADDITION TO TYPICAL NAILING. ANCHOR DEVICES SHALL BE REQUIRED FOR ALL JOINTS WITH AN UPLIFT OR GRAVITY LOAD OF 100 LBS OR GREATER.

TRUSSES BEARING ON INTERIOR PARTITIONS WHERE UPLIFT LOADS ARE PRESENT SHALL REQUIRE ANCHORS OF EQUAL OR GREATER LOAD CAPACITY THAN THAT INDICATED BY THE TRUSS SHOP DRAWINGS. THE UPLIFT ANCHOR SYSTEM SHALL BE CONTINUOUS TO THE FOUNDATION.

ACTUAL SHEAR WALL CAPACITY (FOR LOG WALLS) IS THE TOTAL CAPACITY OF LOG SCREWS (TOTAL CAPACITY = # OF LOG SCREWS x LOG SCREW SHEAR CAPACITY) TO CALCULATE THE TOTAL # OF LOG SCREWS DIVIDE THE WALL LENGTH BY LOG SCREW SPACING AND ADD LOG SCREWS IN FOR EACH CORNER (ALL LOG WALLS ARE SHEAR WALLS)

ACTUAL SHEAR WALL CAPACITY (FOR FRAMED WALLS) IS THE TOTAL LENGTH OF ALL WALL SEGMENTS WITH FULL HEIGHT SHEATHING AND A WIDTH TO HEIGHT RATIO GREATER THAN 1:3.5 TIMES ALLOWABLE SHEAR CAPACITY WITH TABLE 3.17E ADJUSTMENT FROM WFCM-2001 (PLUS SPECIAL SHEAR WALL SEGMENTS IF NOTED.) (ALLOWABLE SHEAR CAPACITY = 436 PLF FOR FULLY BLOCKED 7/16" OSB W/ 8d AT 6" OC EDGE, 12" OC FIELD AND UNBLOCKED 1/2" GYP BOARD W/ 5d COOLER NAILS 7" OC EDGE, 10" OC FIELD) (ALL EXTERIOR FRAMED WALLS ARE TYPE II SHEAR WALLS)

REQUIRED SHEAR WALL CAPACITY IS FROM WFCM-2001, TABLE 2.5a & 2.5b (OR EQUIVALENT CALCULATION)

W01 SHEARWALL CALCULATION LOG & FRAMED WALLS

STRUCTURAL PLAN NOTES:

- SN-1 ALL LOAD BEARING LOG HEADERS SHALL BE A MINIMUM OF (2) 6x8 OR (1) 6x12 LOG COURSES (U.O.N.)
- SN-2 ALL LOAD BEARING HEADERS IN FRAMED WALLS SHALL BE A MINIMUM OF (2) 2X10 SYP#2 (U.O.N.)
- SN-3 7/16" O.S.B. WALL SHEATHING FULLY BLOCKED 8d COMMON NAILS 4" OC EDGE, 12" OC FIELD (U.O.)
- SN-4 DIMENSIONS ON STRUCTURAL SHEETS ARE NOT EXACT. REFER TO ARCHITECTURAL FLOOR PLAN FOR ACTUAL DIMENSIONS

SHOP DWG COORDINATION: THE TRUSS ANCHOR STRAPS AS INDICATED IN THE CONSTRUCTION DOCUMENTS ARE SUGGESTED STRAPS AND THAT THE TRUSS ENGINEERED SHOP DRAWING LOADS TAKE PRECEDENCE OVER THAT INDICATED IN THE CONSTRUCTION DOCUMENTS. THE UPLIFT LOADS INDICATED FOR EACH TRUSS IN THE ENGINEERED TRUSS SHOP DRAWINGS MAY BE MATCHED TO STANDARD PRODUCT UPLIFT RATINGS FOR COMPARABLE UPLIFT CONNECTORS, AND THAT THE PRODUCTS THAT PROVIDE EQUAL OR GREATER UPLIFT RESISTANCE FOR THE LISTED LOADS MAY BE USED IN LIEU OF THOSE INDICATED IN THE CONSTRUCTION DOCUMENTS OR AS APPROVED BY THE BUILDING OFFICIAL.

PROJECT COORDINATION REQUIREMENTS

NOTICE!
THESE PLANS ARE DRAWN FOR AVERAGE SITE CONDITIONS AND COMPLIANCE WITH APPLICABLE CODES AT THE TIME THEY ARE DRAWN. DUE TO VARYING STATE, LOCAL, AND NATIONAL CODES, RULES AND REGULATIONS, N.P. GEISLER, ARCHITECT CANNOT WARRANT COMPLIANCE WITH ALL APPLICABLE STATE, LOCAL, AND NATIONAL CODES IN YOUR AREA OR WITH YOUR PARTICULAR SITE CONDITIONS. IT IS THE RESPONSIBILITY OF THE PURCHASER AND/OR BUILDER TO SEE THAT THE STRUCTURE IS BUILT IN STRICT COMPLIANCE WITH ALL GOVERNING MUNICIPAL CODES (CITY, COUNTY, STATE, AND FEDERAL). IF YOUR CITY OR STATE REQUIRES AN ENGINEER'S SEAL FOR THE SITE/CIVIL PORTIONS OF THE WORK, YOU WILL NEED TO HAVE THAT DONE LOCALLY BY A QUALIFIED, LICENCED PROFESSIONAL ENGINEER.

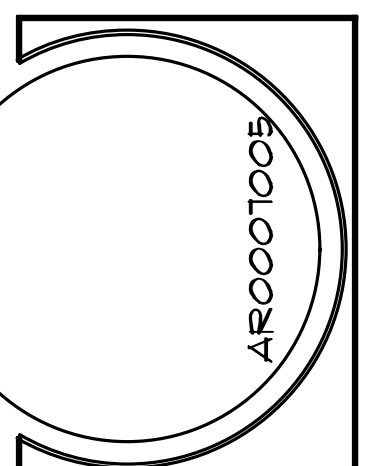
GENERAL NOTES:

1. BUILDER / OWNER IS TO VERIFY ALL DIMENSIONS BEFORE BEGINNING CONSTRUCTION.
2. ALL FRAMING MEMBERS ARE TO BE SYP#2 U.O.N.
3. ALTHOUGH TRUSSES ARE SHOWN AT 24" OC IT IS THE RESPONSIBILITY OF THE TRUSS MANUFACTURER TO DETERMIN TRUSS SPACING AND PLACEMENT.
4. R22 = SEE DETAIL # SHOWN IN BOX

REVISIONS
April 20, 2021



A CUSTOM HOME DESIGN FOR:
JOHN HADLEY
PROJECT ADDRESS: 826 NW ASH RD, COLUMBIA COUNTY, FLORIDA 32055
PARCEL # 21-35-16-0221-5-014



NICHOLAS PAUL BEISLER ARCHITECT
N.C.A.R.B. Certified (386)
1758 NW Brown Rd.
Lake City, FL 32055
386-4355

JOB NUMBER
20201230

SHEET NUMBER
S.2
OF 5 SHEETS

NOTE: ALL DRAWINGS NOT TO BE SCALED, WRITTEN DIMENSIONS TAKE PRECEDENCE OVER SCALED DIMENSIONS

FLORIDA BUILDING CODE

Compliance Summary

TYPE OF CONSTRUCTION

Roof: Gable Construction, Wood Trusses @ 24" O.C.
 Walls: 2x 4 or 2x 6 Wood Studs @ 16" O.C.
 Floor: 4" Thk. Concrete Slab W/ #4 rebar @ 24" O.C. ea. way.
 Foundation: Continuous monolithic footing or Stem Wall foundation system

ROOF DECKING

Material: 5/8" CDX Plywood or O.S.B.
 Sheet Size: 48"x96" Sheets Perpendicular to Roof Framing
 Fasteners: 8d Common or ring-shank nails per schedule on sheet S.4

SHEARWALLS

Material: 1/2" CD Plywood or 7/16" O.S.B.
 Sheet Size: 48"x96" Sheets Placed Vertical, stagger each sheet.
 Fasteners: 8d Common Nails @ 4" O.C. Edges & 8" O.C. Interior
 Dragstrut: Double Top Plate (S.Y.P.) W/16d Nails @ 12" O.C.
 Wall Studs: 2x4 Wood Studs @ 16" O.C.

HURRICANE UPLIFT CONNECTORS

Truss Anchors: SIMPSON H2.5A (OR EQUIVALENT), W/ 6 - 10d NAILS
 Wall Tension: Wall Sheathing Nailing is Adequate - 8d @ 4" O.C. Top & Bot.
 Anchor Bolts: 1/2" A307 Bolts @ 48" O.C. - 1st Bolt 6" from corner
 Corner Hold-down Device: (1) DTT22 (or equiv.) @ each corner
 Porch Column Base Connector: Simpson ABU66/ABU66 @ each column
 Porch Column to Beam Connector: Simpson EPC66/PC66 @ each column

FOOTINGS AND FOUNDATIONS

Footing: 20"x 12" Cont. W/ (2) #5 Bars Cont. on chairs or (1) #3 Transverse @ 24" O.C.
 Stemwall: 8" C.M.U. W/1-#5 Vertical Dowel @ 48" O.C.

STRUCTURAL DESIGN CRITERIA:

- THE DESIGN COMPLIES WITH THE REQUIREMENTS OF THE 2020 FLORIDA BUILDING CODE (7TH EDITION) AND OTHER REFERENCED CODES AND SPECIFICATIONS. ALL CODES AND SPECIFICATIONS SHALL BE LATEST EDITION AT TIME OF PERMIT.
- WIND LOAD CRITERIA: RISK CATEGORY: 2, EXPOSURE: "C"
 BASED ON ANSI/ASCE 7-10, 2020 FBC 1609-A WIND VELOCITY: $V_{ult} = 130$ MPH
 $V_{des} = 101$ MPH
- ROOF DESIGN LOADS:
 SUPERIMPOSED DEAD LOADS: 20 PSF
 SUPERIMPOSED LIVE LOADS: 20 PSF
- FLOOR DESIGN LOADS:
 SUPERIMPOSED DEAD LOADS: 25 PSF
 SUPERIMPOSED LIVE LOADS:
 RESIDENTIAL 40 PSF
 BALCONIES 60 PSF
- WIND NET UPLIFT: ARE AS INDICATED ON PLANS

TERMITE PROTECTION NOTES:

SOIL CHEMICAL BARRIER METHOD:

- A PERMANENT SIGN WHICH IDENTIFIES THE TERMITE TREATMENT PROVIDER AND NEED FOR REINSPECTION AND TREATMENT CONTRACT RENEWAL SHALL BE PROVIDED. THE SIGN SHALL BE POSTED NEAR THE WATER HEATER OR ELECTRIC PANEL. FBC 104.2.6
- CONDENSATE AND ROOF DOWNSPOUTS SHALL DISCHARGE AT LEAST 1'-0" AWAY FROM BUILDING SIDE WALLS. FBC 1503.4.4
- IRRIGATION/SPRINKLER SYSTEMS INCLUDING ALL RISERS AND SPRAY HEADS SHALL NOT BE INSTALLED WITHIN 1'-0" FROM BUILDING SIDE WALLS. FBC 1503.4.4
- TO PROVIDE FOR INSPECTION FOR TERMITE INFESTATION, BETWEEN WALL COVERINGS AND FINAL EARTH GRADE SHALL NOT BE LESS THAN 6". EXCEPTION: PAINT AND DECORATIVE CEMENTIOUS FINISH LESS THAN 5/8" THICK ADHERED DIRECTLY TO THE FOUNDATION WALL. FBC 1403.1.6
- INITIAL TREATMENT SHALL BE DONE AFTER ALL EXCAVATION AND BACKFILL IS COMPLETE. FBC 1816.1.1
- SOIL DISTURBED AFTER THE INITIAL TREATMENT SHALL BE RETREATED INCLUDING SPACES BOXED OR FORMED. FBC 1816.1.2
- BOXED AREAS IN CONCRETE FLOOR FOR SUBSEQUENT INSTALLATION OF TRAPS, ETC., SHALL BE MADE WITH PERMANENT METAL OR PLASTIC FORMS. PERMANENT FORMS MUST BE OF A SIZE AND DEPTH THAT WILL ELIMINATE THE DISTURBANCE OF SOIL AFTER THE INITIAL TREATMENT. FBC 1816.1.3
- MINIMUM 5 MIL VAPOR RETARDER MUST BE INSTALLED TO PROTECT AGAINST RAINFALL DILUTION. IF RAINFALL OCCURS BEFORE VAPOR RETARDER PLACEMENT, RETREATMENT IS REQUIRED. FBC 1816.1.4
- CONCRETE OVERPOUR AND MORTAR ALONG THE FOUNDATION PERIMETER MUST BE REMOVED BEFORE EXTERIOR SOIL TREATMENT. FBC 1816.1.5
- SOIL TREATMENT MUST BE APPLIED UNDER ALL EXTERIOR CONCRETE OR GRADE WITHIN 1'-0" OF THE STRUCTURE SIDEWALLS. FBC 1816.1.6
- AN EXTERIOR VERTICAL CHEMICAL BARRIER MUST BE INSTALLED AFTER CONSTRUCTION IS COMPLETE INCLUDING LANDSCAPING AND IRRIGATION. ANY SOIL DISTURBED AFTER THE VERTICAL BARRIER IS APPLIED, SHALL BE RETREATED. FBC 1816.1.6
- ALL BUILDINGS ARE REQUIRED TO HAVE PER-CONSTRUCTION TREATMENT. FBC 1816.1.7
- A CERTIFICATE OF COMPLIANCE MUST BE ISSUED TO THE BUILDING DEPARTMENT BY # LICENSED PEST CONTROL COMPANY BEFORE A CERTIFICATE OF OCCUPANCY WILL BE ISSUED. THE CERTIFICATE OF COMPLIANCE SHALL STATE: "THE BUILDING HAS RECEIVED A COMPLETE TREATMENT FOR THE PREVENTION OF SUBTERRANEAN TERMITES. THE TREATMENT IS IN ACCORDANCE WITH THE RULES AND LAWS OF THE FLORIDA DEPARTMENT OF AGRICULTURE AND CONSUMER SERVICES". FBC 1816.1.7
- AFTER ALL WORK IS COMPLETED, LOOSE WOOD AND FILL MUST BE REMOVED FROM BELOW AND WITHIN 1'-0" OF THE BUILDING. THIS INCLUDES ALL GRADE STAKES, TUB TRAP BOXES, FORMS, SHORING OR OTHER CELLULOSE CONTAINING MATERIAL. FBC 2303.1.3
- NO WOOD, VEGETATION, STUMPS, CARDBOARD, TRASH, ETC., SHALL BE BURIED WITHIN 15'-0" OF ANY BUILDING OR PROPOSED BUILDING. FBC 2303.1.4

FRAMING ANCHOR SCHEDULE

APPLICATION	MANUF'R/MODEL	CAP.
TRUSS TO WALL:	SIMPSON H2.5A (OR EQUIVALENT), W/ 6 - 10d NAILS	960#
GIRDER TRUSS TO POST/HEADER:	SIMPSON LGT, W/ 28 - 16d NAILS	1785#
HEADER TO KING STUD(S):	SIMPSON ST22	1370#
PLATE TO STUD:	SIMPSON SP2	1065#
STUD TO SILL:	SIMPSON SP1	565#
PORCH BEAM TO POST:	SIMPSON PC44/EPC44	1700#
PORCH POST TO FND.:	SIMPSON ABU44	2200#
MISC. JOINTS	SIMPSON A34	315#/240#

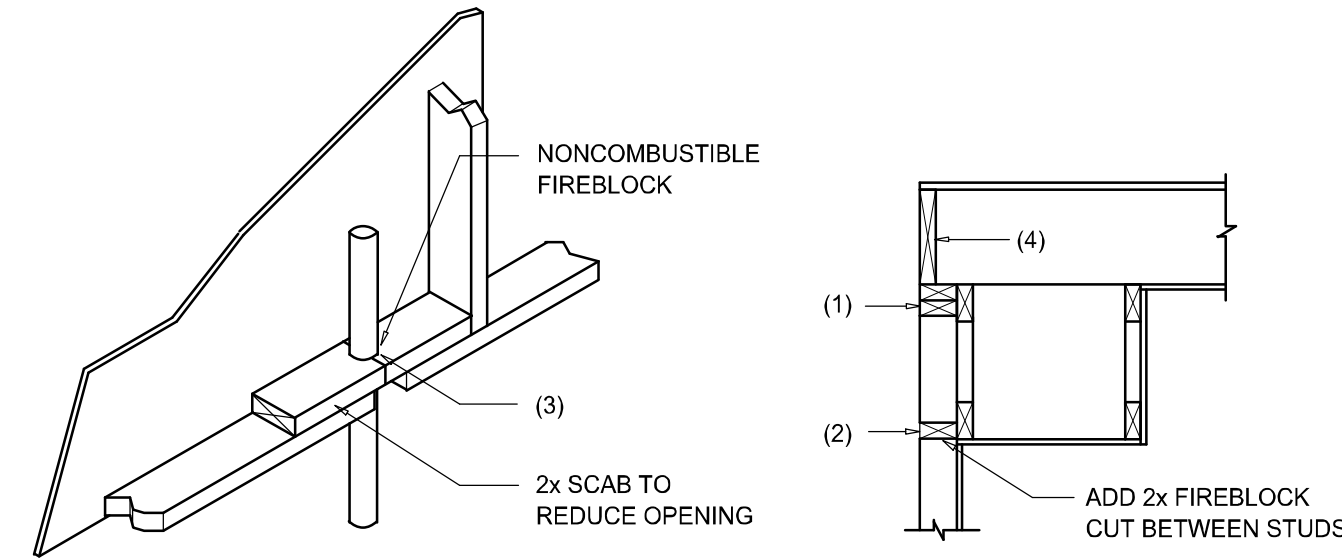
NOTE:
 ALL ANCHORS SHALL BE SECURED W/ NAILS AS PRESCRIBED BY THE MANUFACTURER FOR MAXIMUM JOINT STRENGTH, UNLESS NOTED OTHERWISE.

NOTE:
 REFER TO THE INCLUDED STRUCTURAL DETAILS FOR ADDITIONAL ANCHORS/ JOINT REINFORCEMENT AND FASTENERS.

NOTE:
 ALL UNLISTED JOINTS IN THE LOAD PATH SHALL BE REINFORCED WITH SIMPSON A34 FRAMING ANCHORS, TYPICAL T.O.

NOTE:
 "SEMCO" PRODUCT APPROVAL:
 MIAMI/DADE COUNTY REPORT #95-0818.15

NOTE:
 "SIMPSON" PRODUCT APPROVALS:
 MIAMI/DADE COUNTY REPORT #97-0107.05, #96-1126.11, #99-0623.04
 SBCC1 NCR-443, NER-393



PENETRATIONS

SOFFIT/DROPPED CHL.

FIREBLOCKING NOTES:

- FIREBLOCKING SHALL BE INSTALLED IN WOOD FRAME CONSTRUCTION IN THE FOLLOWING LOCATIONS:
- IN CONCEALED SPACES OF STUD WALLS AND PARTITIONS INCLUDING FURRED SPACES AT CEILING AND FLOOR LEVELS.
 - AT ALL INTERCONNECTIONS BETWEEN CONCEALED VERTICAL AND HORIZONTAL SPACES SUCH AS OCCUR AT SOFFITS, DROP CEILINGS, COVE CEILINGS, ETC.
 - AT OPENINGS AROUND VENTS, PIPES, DUCTS, CHIMNEYS AND FIREPLACES AT CEILING AND FLOOR LEVELS WITH "PYROPANEL MULTIFLEX SEALANT"
 - AT ALL INTERCONNECTIONS BETWEEN CONCEALED VERTICAL STUD WALL OR PARTITION SPACES AND CONCEALED SPACES CREATED BY AN ASSEMBLY OF FLOOR JOISTS. FIREBLOCKING SHALL BE PROVIDED FOR THE FULL DEPTH OF THE JOISTS AT THE ENDS AND OVER THE SUPPORTS.

Fire Stopping DETAILS

SCALE: NONE

A



BLDG HEIGHT	EXPOSURE "B"	EXPOSURE "C"		EXPOSURE "D"	
		1.21	1.41	1.58	1.66
15	1.00	1.21	1.41	1.58	1.66
20	1.00	1.29	1.55	1.61	1.66
25	1.00	1.35	1.61	1.61	1.66
30	1.00	1.40	1.66	1.66	1.66

HEIGHT & EXPOSURE ADJUSTMENT COEFFICIENTS FOR BUILDING COMPONENTS & CLADDING

BLDG HEIGHT	EXPOSURE "B"	EXPOSURE "C"	EXPOSURE "D"
15	1.00	1.21	1.41
20	1.00	1.29	1.55
25	1.00	1.35	1.61
30	1.00	1.40	1.66



BLDG HEIGHT	EXPOSURE "B"	EXPOSURE "C"		EXPOSURE "D"	
		1.21	1.41	1.58	1.66
15	1.00	1.21	1.41	1.58	1.66
20	1.00	1.29	1.55	1.61	1.66
25	1.00	1.35	1.61	1.61	1.66
30	1.00	1.40	1.66	1.66	1.66

HEIGHT & EXPOSURE ADJUSTMENT COEFFICIENTS FOR BUILDING COMPONENTS & CLADDING

BLDG HEIGHT	EXPOSURE "B"	EXPOSURE "C"	EXPOSURE "D"
15	1.00	1.21	1.41
20	1.00	1.29	1.55
25	1.00	1.35	1.61
30	1.00	1.40	1.66

General Roofing NOTES:

DECK REQUIREMENTS:
 ASPHALT SHINGLES SHALL BE FASTENED TO SOLIDLY SHEATHED DECKS.

SLOPE:
 ASPHALT SHINGLES SHALL BE USED ONLY ON ROOF SLOPES OF 2:12 OR GREATER. FOR ROOF SLOPES FROM 2:12 TO 4:12, DBL. UNDERLAYMENT IS REQUIRED.

UNDERLAYMENT:
 UNLESS OTHERWISE NOTED, UNDERLAYMENT SHALL CONFORM W/ ASTM D 226, TYPE 1, OR ASTM D 4869, TYPE 1.

SELF-ADHERING POLYMER MODIFIED BITUMEN SHEET:
 SELF ADHERING POLYMER MODIFIED BITUMEN SHALL COMPLY W/ ASTM D 1970.

ASPHALT SHINGLES:
 ASPHALT SHINGLES SHALL HAVE SELF SEAL STRIPS OR BE INTERLOCKING, AND COMPLY WITH ASTM D 225 OR ASTM D 3462.

FASTENERS:
 FASTENERS FOR ASPHALT SHINGLES SHALL BE GALVANIZED, STAINLESS STEEL, ALUMINUM OR COPPER ROOFING NAILS, MINIMUM 12 GAUGE SHANK WITH A MINIMUM 3/8 INCH DIAMETER HEAD, OF A LENGTH TO PENETRATE THROUGH THE ROOFING MATERIAL AND A MINIMUM 3/4" INTO THE ROOF SHEATHING. WHERE THE SHEATHING IS LESS THAN 3/4" THICK, THE NAILS SHALL PENETRATE THROUGH THE SHEATHING.

ATTACHMENT:
 ASPHALT SHINGLES SHALL BE SECURED TO THE ROOF WITH NOT LESS THAN FOUR FASTENERS PER STRIP SHINGLE OR TWO FASTENERS PER INDIVIDUAL SHINGLE. WHERE ROOFS LOCATED IN BASIC WIND SPEED OF 110 MPH OR GREATER, SPECIAL METHODS OF FASTENING ARE REQUIRED. UNLESS OTHERWISE NOTED, ATTACHMENT OF ASPHALT SHINGLES SHALL CONFORM WITH ASTM D 3161 OR MC-PC PA 107-95.

UNDERLAYMENT APPLICATION:
 FOR ROOF SLOPES FORM 2:12 TO 4:12, UNDERLAYMENT SHALL BE A MINIMUM OF TWO LAYERS APPLIED AS FOLLOWS:

- STARTING AT THE EAVE, A 19 INCH STRIP OF UNDERLAYMENT SHALL BE APPLIED PARALLEL WITH THE EAVE AND FASTENED SUFFICIENTLY TO STAY IN PLACE.
- STARTING AT THE EAVE, 36 INCH WIDE STRIPS OF UNDERLAYMENT FELT SHALL BE APPLIED OVERLAPPING SUCCESSIVE SHEETS 19 INCHES AND FASTENED SUFFICIENTLY TO STAY IN PLACE.

FOR ROOF SLOPED 4:12 AND GREATER, UNDERLAYMENT SHALL BE A MINIMUM OF ONE LAYER OF UNDERLAYMENT FELT APPLIED AS FOLLOWS:
 STARTING AT THE EAVE, UNDERLAYMENT SHALL BE APPLIED SHINGLE FASHION PARALLEL TO THE EAVE, LAPPED 2 INCHES, AND FASTENED SUFFICIENTLY TO STAY IN PLACE.

BASE AND CAP FLASHINGS:
 BASE AND CAP FLASHING SHALL BE INSTALLED IN ACCORDANCE W/ MFG'S INSTALLATION INSTRUCTIONS. BASE FLASHING SHALL BE OF EITHER CORROSION RESISTANT METAL OF MINIMUM NOMINAL THICKNESS 0.019 INCH OR MINERAL SURFACE ROLL ROOFING WEIGHING A MINIMUM OF 77 LBS PER 100 SQUARE FEET. CAP FLASHING SHALL BE CORROSION RESISTANT METAL OF MINIMUM NOMINAL THICKNESS OF 0.019 INCH.

VALLEYS:
 VALLEY LININGS SHALL BE INSTALLED IN ACCORDANCE W/ MANUFACTURER'S INSTALLATION INSTRUCTIONS BEFORE APPLYING ASPHALT SHINGLES. VALLEY LININGS OF THE FOLLOWING TYPES SHALL BE PERMITTED:
 1. FOR OPEN VALLEYS LINED WITH METAL, THE VALLEY LINING SHALL BE AT LEAST 18" WIDE AND OF ANY OF THE CORROSION RESISTANT METALS IN FBC TABLE 1507.3.9.2
 2. FOR OPEN VALLEYS, VALLEY LINING OF TWO PLYS OF MINERAL SURFACE ROLL ROOFING SHALL BE PERMITTED. THE BOTTOM LAYER SHALL BE 18 INCHES AND THE TOP LAYER A MINIMUM OF 36 INCHES WIDE.
 3. FOR CLOSED VALLEYS VALLEY LINING SHALL BE ONE OF THE FOLLOWING:
 1. BOTH TYPES 1 AND 2 ABOVE, COMBINED.
 2. ONE PLY OF SMOOTH ROLL ROOFING AT LEAST 36 INCHES WIDE AND COMPLYING WITH ASTM D 224.
 3. SPECIALTY UNDERLAYMENT AT LEAST 36 INCHES WIDE AND COMPLYING WITH ASTM D 1970.

NOTE !!!
 ROOFINGSHINGLES SHALL BE AS MANUFACTURED BY "TAMKO ROOFING PRODUCTS" OF THE FOLLOWING MODELS:

- GLASS-SEAL AR
- ELITE GLASS-SEAL AR
- HERITAGE 30 AR
- HERITAGE 40 AR
- HERITAGE 50 AR

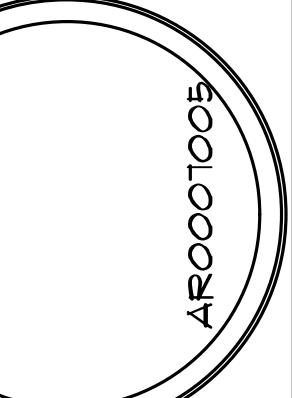
THESE SHINGLES MEET THE REQUIREMENTS OF ASTM D-3161 TYPE 1 MODIFIED TO 110 MPH WINDS & FBC TAS 100, USING 4 NAILS/SHINGLE

REVISIONS
April 20, 2021



DETAILS SHEET
 SCALE: 1/4" = 1'-0"

A CUSTOM HOME DESIGN FOR:
JOHN HADLEY
 PROJECT ADDRESS: 826 NW ASH RD, COLUMBIA COUNTY, FLORIDA 32065
 PARCEL # 21-35-16-02215-014

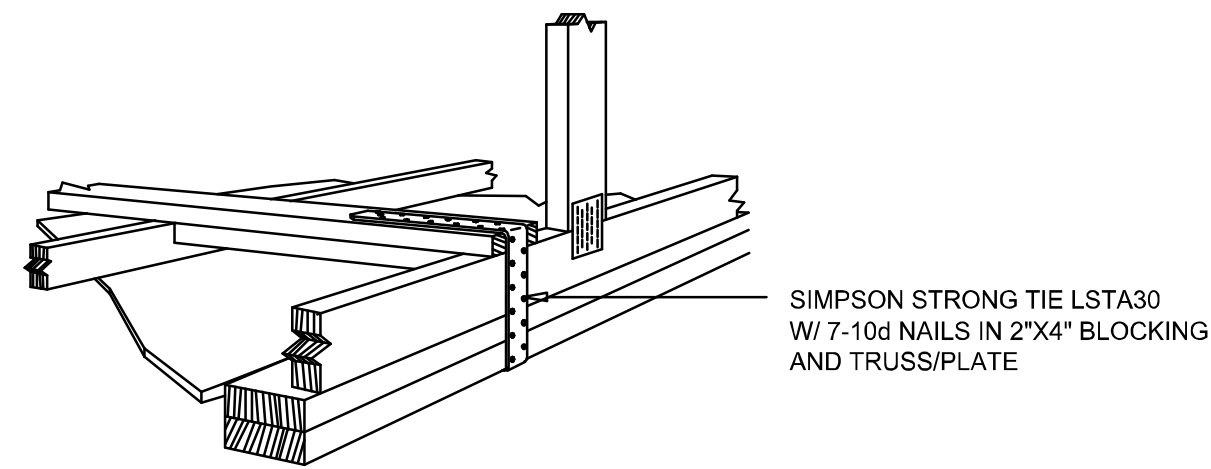


NICHOLAS PAUL GEISLER ARCHITECT
 N.C.A.R.B. Certified
 1758 NW Brown Rd.
 Lake City, FL 32065
 (386) 365-4355

JOB NUMBER
 20201230

SHEET NUMBER
S.3
 OF 5 SHEETS

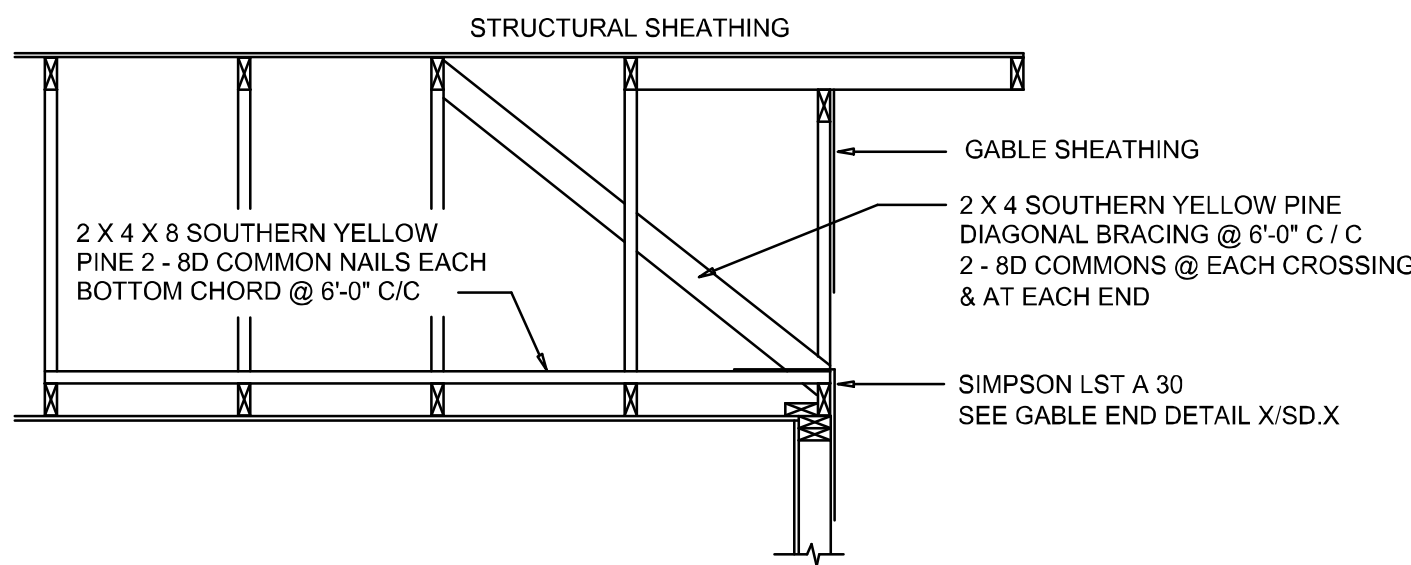
NOTE: ALL DRAWINGS NOT TO BE SCALED, WRITTEN DIMENSIONS TAKE PRECEDENCE OVER SCALED DIMENSIONS



GABLE END GYPSUM DIAPHRAGM HOLD-DOWN CONNECTOR

SCALE: NONE

A.1



END WALL BRACING FOR CEILING DIAPHRAGM

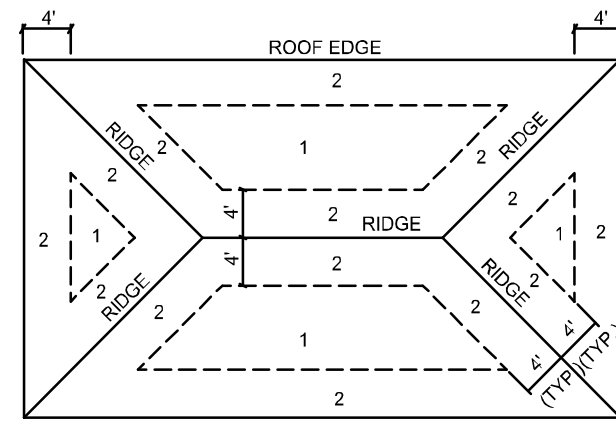
NTS (ALTERNATIVE TO BALLOON FRAMING)
NOTE: ALL WOOD TO BE NUMBER 2 GRADE SOUTHERN YELLOW PINE

A

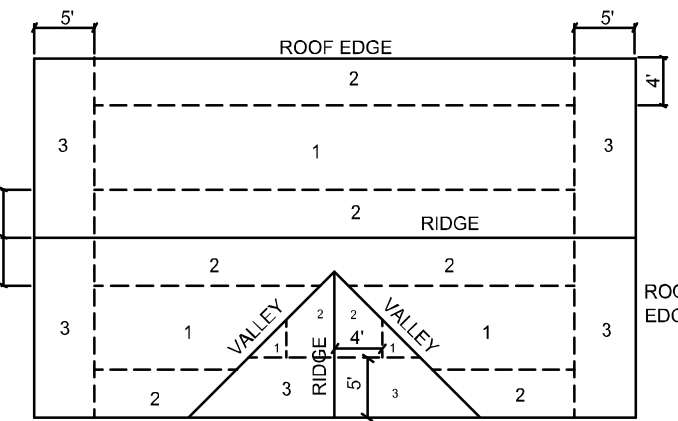
BUILDING COMPONENTS & CLADDING LOADS MEAN BUILDING HEIGHT = 30.0', EXPOSURE "B"					
ZONE	AREA	Vult 110 MPH	Vult 120 MPH	Vult 130 MPH	Vult 140 MPH
1	10	12.0 / -18.9	14.9 / -23.7	17.5 / -27.8	20.3 / -32.3
	20	11.4 / -18.4	13.6 / -23.0	16.0 / -27.0	18.5 / -31.4
	50	10.0 / -18.6	11.9 / -22.2	13.9 / -26.0	16.1 / -30.2
2	10	12.5 / -34.7	14.9 / -41.3	17.5 / -48.4	20.3 / -56.2
	20	11.4 / -31.9	13.6 / -38.0	16.0 / -44.6	18.5 / -51.7
	50	10.0 / -28.2	11.9 / -33.6	13.9 / -39.4	16.1 / -45.7
3	10	12.5 / -51.3	14.9 / -61.0	17.5 / -71.6	20.3 / -83.1
	20	11.4 / -47.9	13.6 / -57.1	16.0 / -67.0	18.5 / -77.7
	50	10.0 / -43.5	11.9 / -51.8	13.9 / -60.8	16.1 / -70.5
4	10	21.8 / -23.6	25.9 / -34.7	30.4 / -33.0	35.3 / -38.2
	20	20.8 / -22.6	24.7 / -26.9	29.0 / -31.6	33.7 / -36.7
	50	19.5 / -21.3	23.2 / -25.4	27.2 / -29.8	31.6 / -34.6
5	10	21.8 / -29.1	25.9 / -34.7	30.4 / -40.7	35.3 / -47.2
	20	20.8 / -27.2	24.7 / -32.4	29.0 / -38.0	33.7 / -44.0
	50	19.5 / -24.6	23.2 / -29.3	27.2 / -34.3	31.6 / -39.8

ROOF SHEATHING FASTENINGS			
NAILING ZONE	SHEATHING TYPE	FASTENER	SPACING
1	7/16" O.S.B. OR 15/32 CDX	8d COMMON OR 8d RING-SHANK GALVANIZED BOX NAILS	6 in. o.c. EDGE 12 in. o.c. FIELD
2			6 in. o.c. EDGE 6 in. o.c. FIELD
3			4 in. o.c. @ GABLE ENDWALL OR GABLE TRUSS 6 in. o.c. EDGE 6 in. o.c. FIELD

HEIGHT & EXPOSURE ADJUSTMENT COEFFICIENTS FOR BUILDING COMPONENTS & CLADDING				
BLDG HEIGHT	EXPOSURE "B"	EXPOSURE "C"	EXPOSURE "D"	
15	1.00	1.21	1.47	
20	1.00	1.29	1.55	
25	1.00	1.35	1.61	
30	1.00	1.40	1.66	



ROOF SHEATHING NAILING ZONES (HIP ROOF)



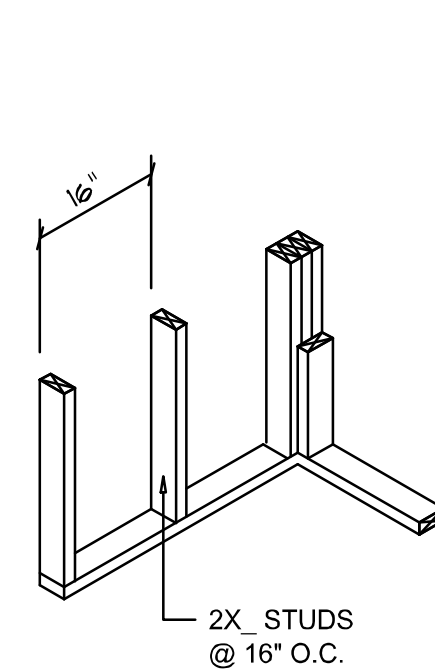
ROOF SHEATHING NAILING ZONES (GABLE ROOF)

Roof Nail Pattern DET.

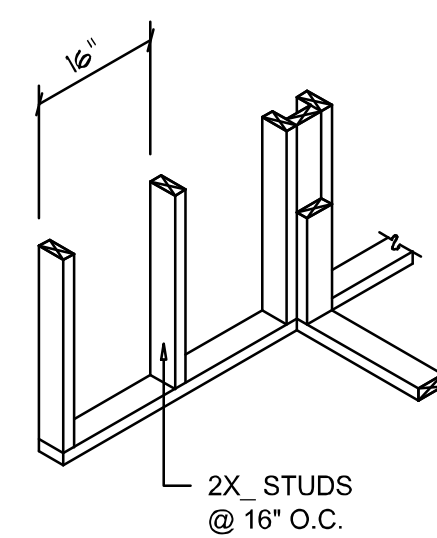
SCALE: NONE

B

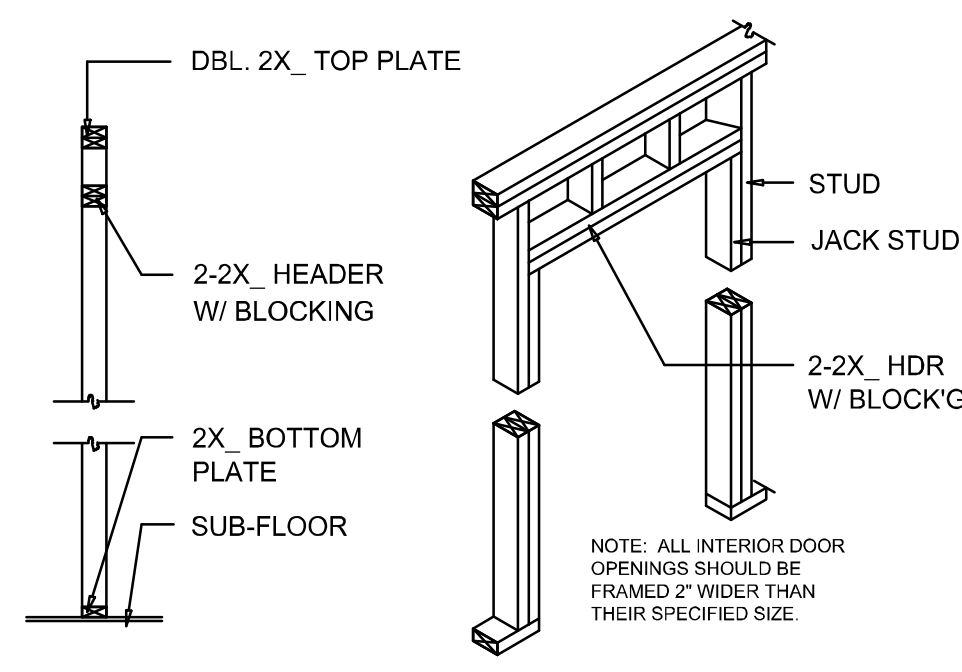
HEADER SPANS FOR EXTERIOR BEARING WALLS							
HEADERS SUPPORTING:	HEADER SIZE	BUILDING WIDTH (FT)					
		20'		28'		36'	
		SPAN	# JACKS	SPAN	# JACKS	SPAN	# JACKS
ROOF, CEILING	2-2x4	3'-6"	1	3'-2"	1	2'-10"	1
	2-2x6	5'-5"	1	4'-8"	1	4'-2"	1
	2-2x8	6'-10"	1	5'-11"	2	5'-4"	1
	2-2x10	8'-5"	2	7'-3"	2	6'-6"	2
	2-2x12	9'-9"	2	8'-5"	2	7'-6"	2
	3-2x8	8'-4"	1	7'-5"	1	6'-8"	1
	3-2x10	10'-6"	1	9'-1"	2	8'-2"	1
	3-2x12	12'-2"	2	10'-7"	2	9'-5"	2
	4-2x8	9'-2"	1	8'-4"	1	9'-2"	1
	4-2x10	11'-8"	1	10'-6"	1	9'-5"	1
4-2x12	14'-1"	1	12'-2"	2	10'-11"	1	



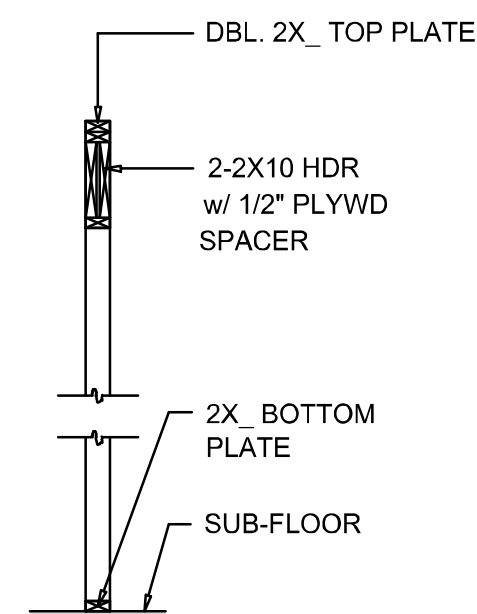
WALL CORNER



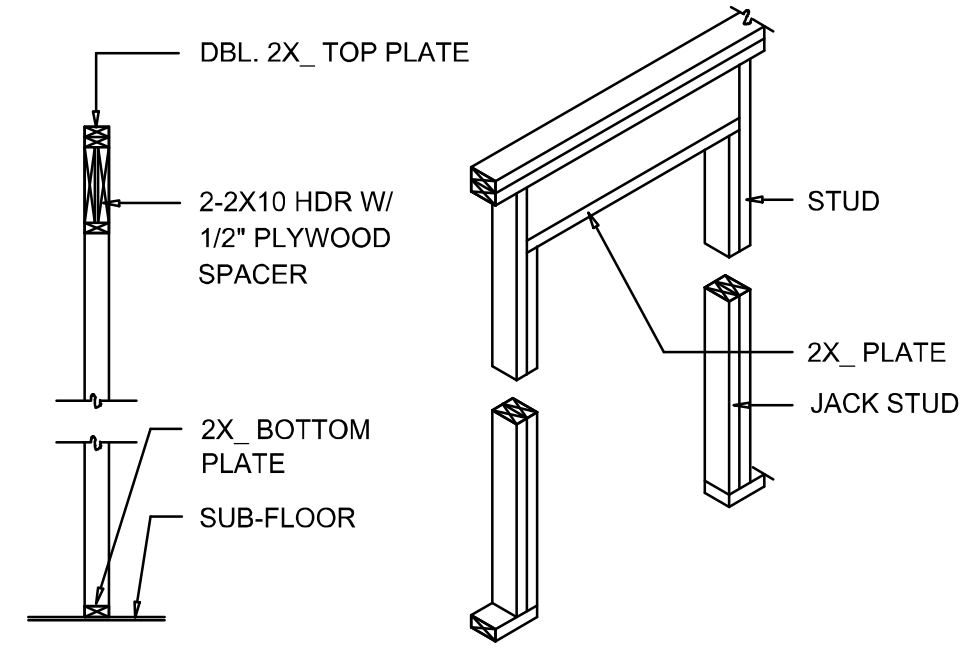
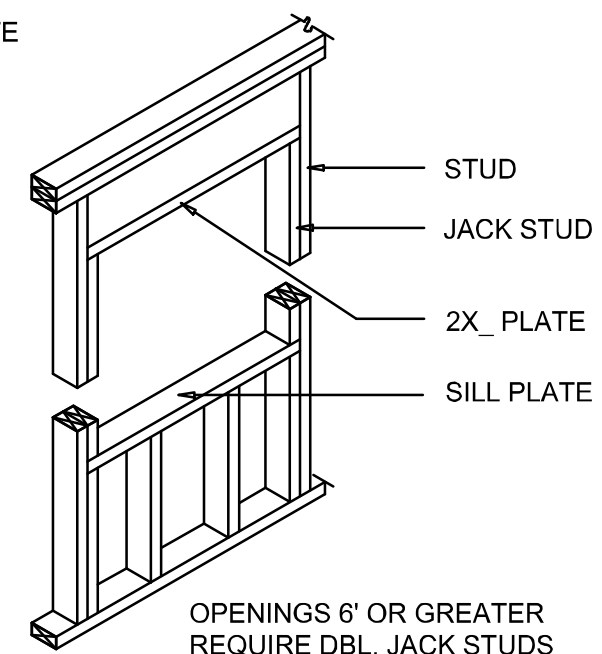
WALL INTERSECTION



NON-BEARING WALL HEADER



TYPICAL WINDOW HEADER



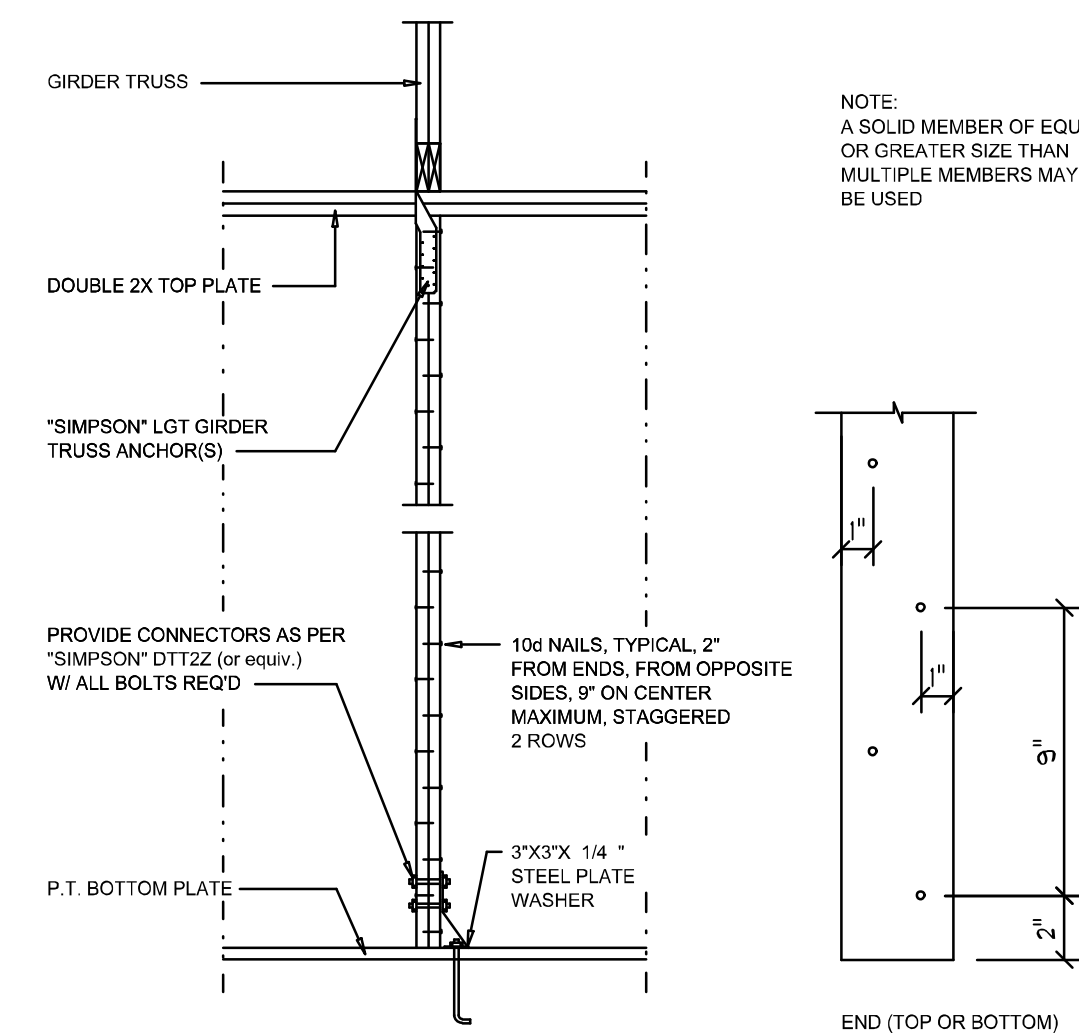
BEARING WALL HEADER

Wall Framing/Header DETAILS

SCALE: NONE

F

NOTE: ALL DRAWINGS NOT TO BE SCALED, WRITTEN DIMENSIONS TAKE PRECEDENCE OVER SCALED DIMENSIONS

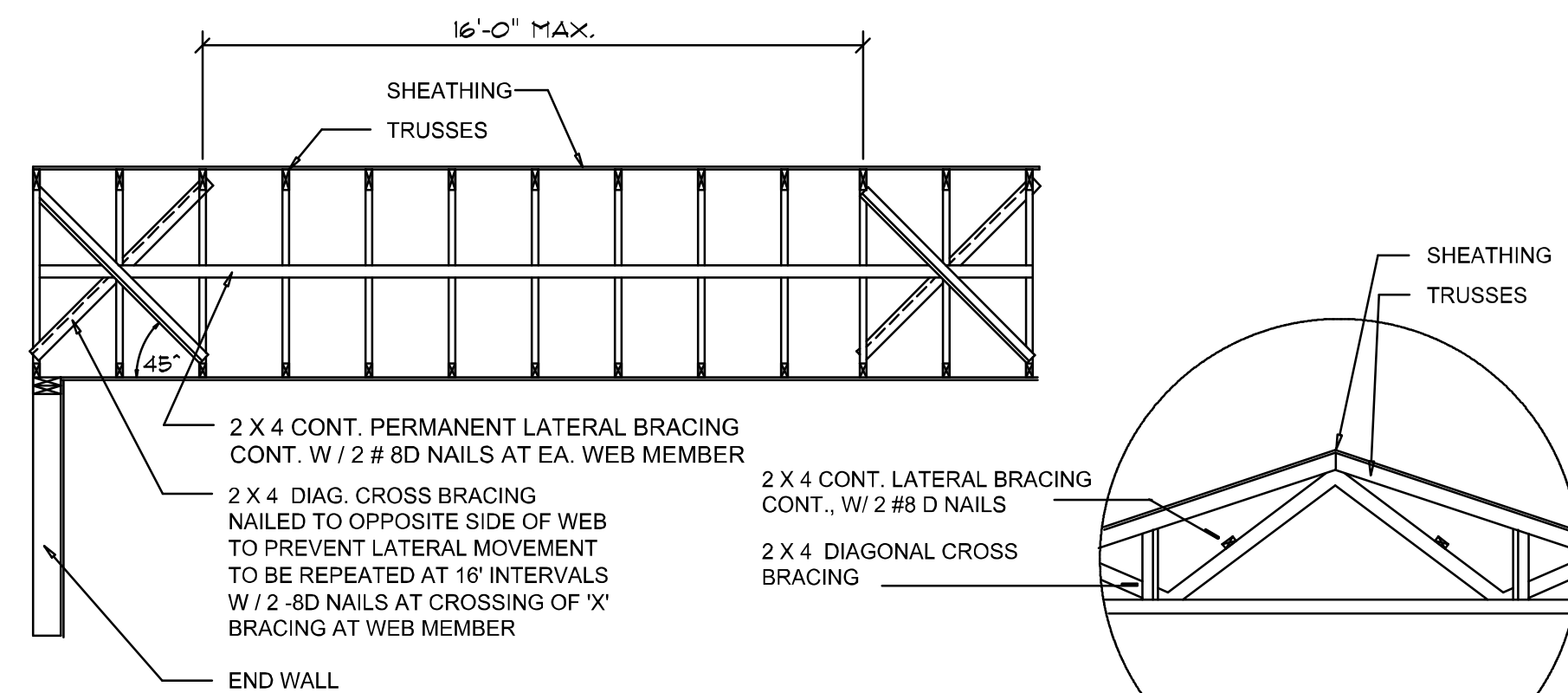


Girder Truss Column DET.

SCALE: 1/2" = 1'-0"

"WindSTORM" ALT. SHEATHING METHOD:
ALTERNATIVE METHOD FOR ANCHORING THE TOP WALL PLATE TO THE FOUNDATION IN LIEU OF THE SP/SP2 OR SPA STRAPS INDICATED IN THE CONSTRUCTION DOCUMENTS FOR THIS PROJECT SHALL ALLOWED AS FOLLOWS:
1. APPLY VERTICALLY, "WindSTORM" 716" OSB 48" X 97", 105", 121" OR 145" SHEATHING. FASTEN TO THE TOP PLATE AND THE SILL PLATE WITH EITHER 8d COMMONS @ 3' O.C. OR 8d COMMONS @ 4' O.C. FASTEN TO EACH STUD WITH EITHER 8d COMMONS @ 6" O.C. OR 8d COMMONS @ 8" O.C.

Alternate "Titan" bolt concrete anchor system
ANCHOR SILL PLATE WITH 5/8" TITAN ANCHOR BOLT PLACED AT 40" O.C. AROUND PERIMETER OF SLAB AND ALL INTERIOR BEARING WALLS.



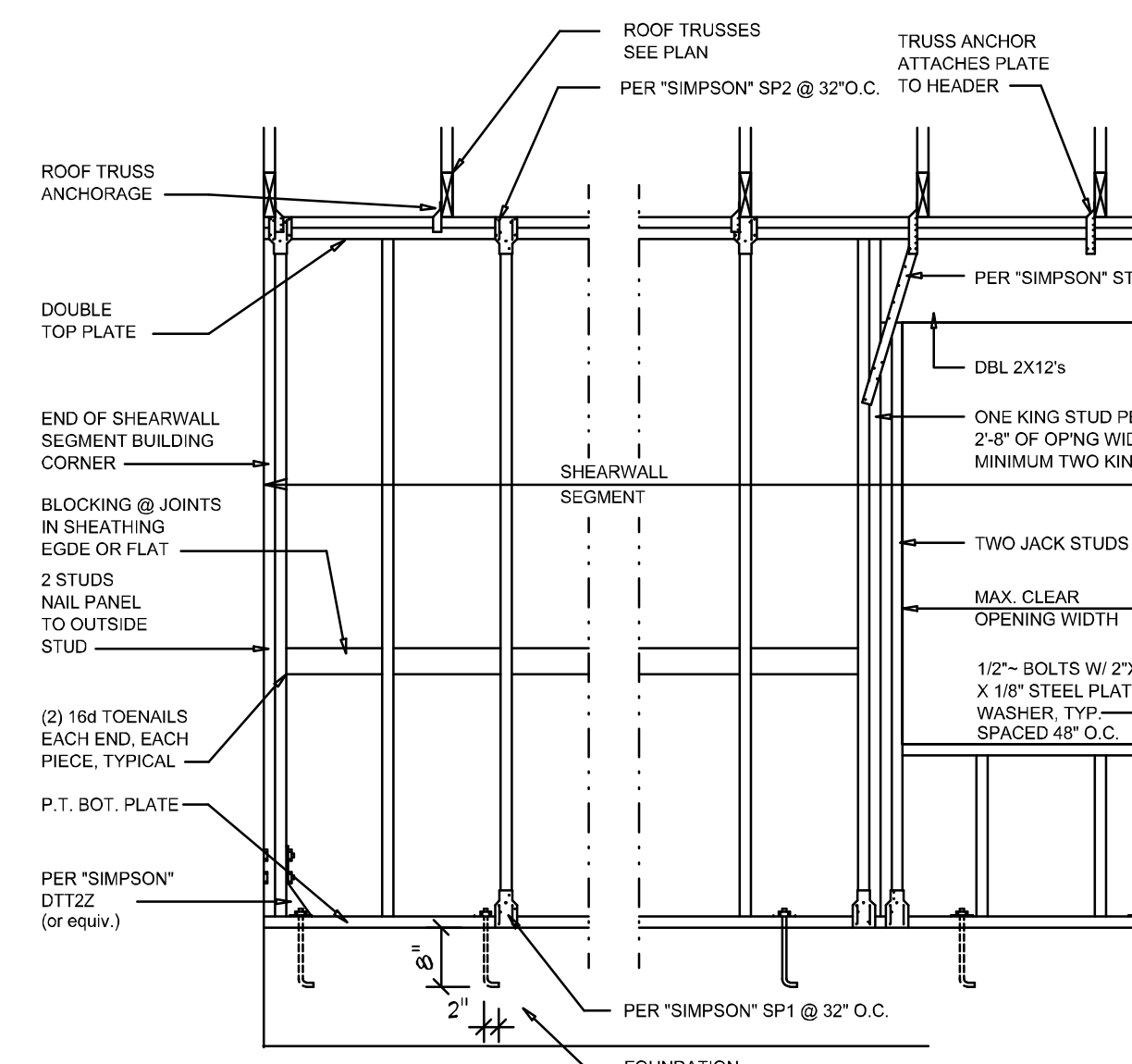
TYP. PERMANENT TRUSS BRACING DIA.

NTS
NOTE: ALL WOOD TO BE NUMBER 2 GRADE SOUTHERN YELLOW PINE

Truss Bracing DETAILS

SCALE: AS NOTED

D



SHEARWALL NOTES:
1. ALL SHEARWALLS SHALL BE TYPE 2 SHEARWALLS AS DEFINED BY STD 19-97 SBC01.305.4.3
2. THE WALL SHALL BE ENTIRELY SHEATHED WITH 7/16" O.S.B. INCLUDING AREAS ABOVE AND BELOW OPENING S
3. ALL SHEATHING SHALL BE ATTACHED TO FRAMING ALONG ALL FOUR EDGES WITH JOINTS FOR ADJACENT PANELS OCCURRING OVER COMMON FRAMING MEMBERS OR ALONG BLOCKING.
4. NAIL SPACING SHALL BE 4" O.C. EDGES AND 8" O.C. IN THE FIELD.
5. TYPE 2 SHEARWALLS ARE DESIGNED FOR THE OPENING IT CONTAINS. MAXIMUM HEIGHT OF OPENING SHALL BE 50 TIMES THE WALL HEIGHT. THE MINIMUM DISTANCE BETWEEN OPENINGS SHALL BE THE WALL HEIGHT/3.5 FOR 8'-0" WALLS (2'-3").

OPENING WIDTH	SILL PLATES	16d TOE NAILS EACH END
UP TO 6'-0"	(1) 2x4 OR (1) 2x6	1
> 6' TO 9'-0"	(3) 2x4 OR (1) 2x6	2
> 9' TO 12'-0"	(5) 2x4 OR (2) 2x6	3

Shear Wall DETAILS

SCALE: NONE

E

REVISIONS
April 20, 2021

SOFTPLAN ARCHITECTURAL DESIGN SOFTWARE

DETAILS SHEET
SCALE: 1/4" = 1'-0"

A CUSTOM HOME DESIGN FOR:
JOHN HADLEY
PROJECT ADDRESS: 826 NW ASH RD, COLUMBIA COUNTY, FLORIDA 32065
PARCEL # 21-35-16-0221-5-014

ARCO TOOLS

NICHOLAS PAUL BEISLER ARCHITECT
N.C.A.R.B. Certified (386)
1758 NW Brown Rd.
Lake City, FL 32055
386-4355

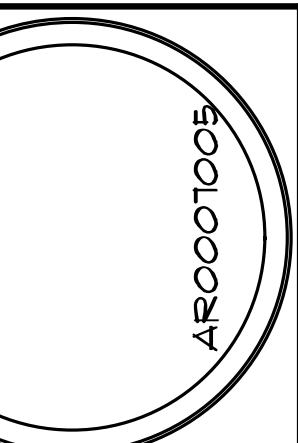
JOB NUMBER
20201230

SHEET NUMBER
S.4
OF 5 SHEETS

REVISIONS
April 20, 2021

SOFTPLAN
ARCHITECTURAL DESIGN SOFTWARE

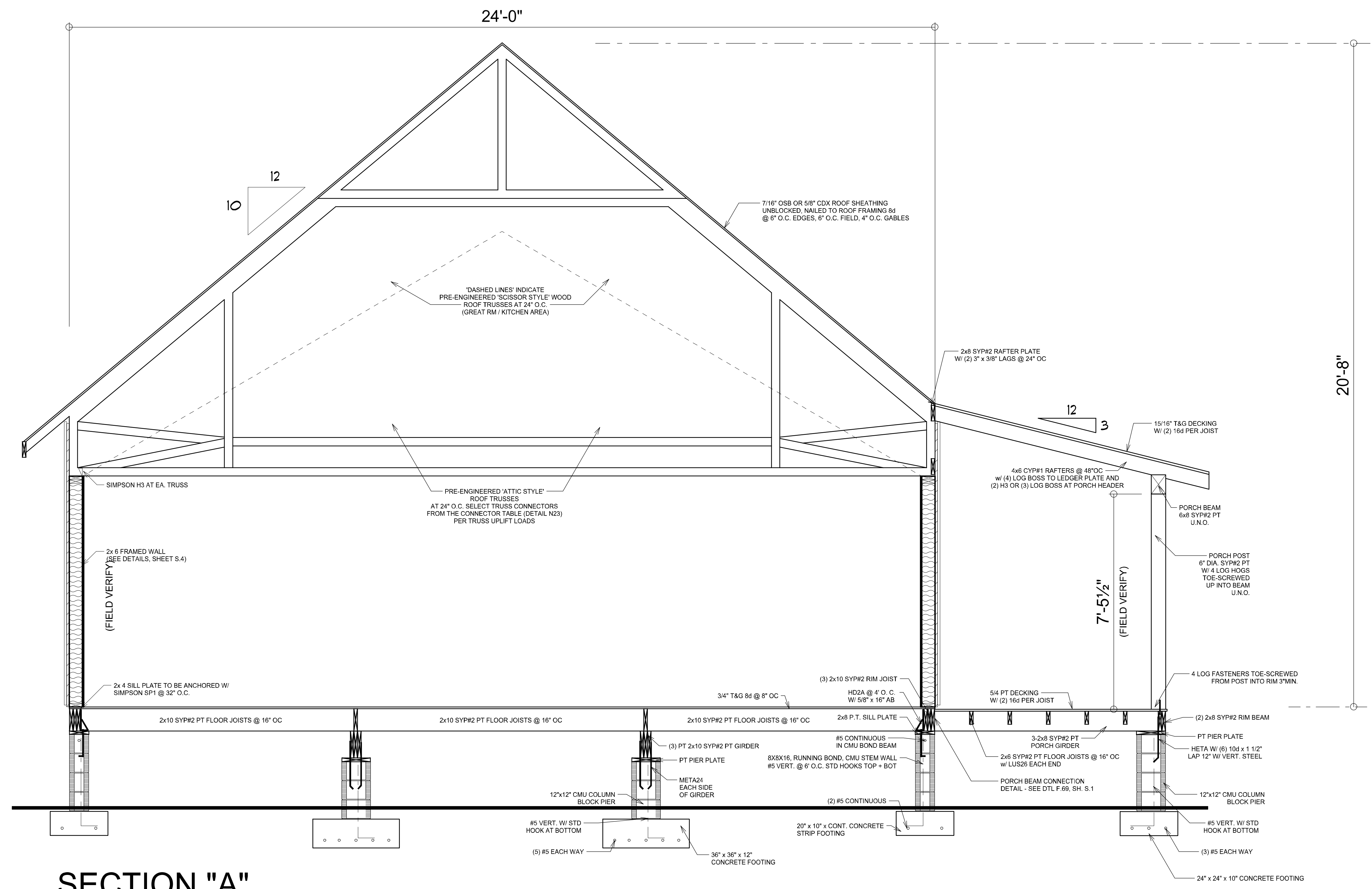
A CUSTOM HOME DESIGN FOR:
JOHN HADLEY
PROJECT ADDRESS: 828 NW ASH RD, COLUMBIA COUNTY, FLORIDA 32055
PARCEL # 21-35-16-02215-014



NICHOLAS PAUL BEISLER ARCHITECT
N.C.A.R.B. Certified (386)
1758 NW Brown Rd.
Lake City, FL 32055
365-4355

JOB NUMBER
20201230

SHEET NUMBER
S.5
OF 5 SHEETS



SECTION "A"
SCALE: NTS

NOTE: ALL DRAWINGS NOT TO BE SCALED, WRITTEN DIMENSIONS TAKE PRECEDENCE OVER SCALED DIMENSIONS