

W.B. Howland Truss Co.
 610 11th St. SW
 Live Oak, FL 32064
 (386) 362-1235
 (386) 362-7124 (Fax)
 howlandtruss@gmail.com

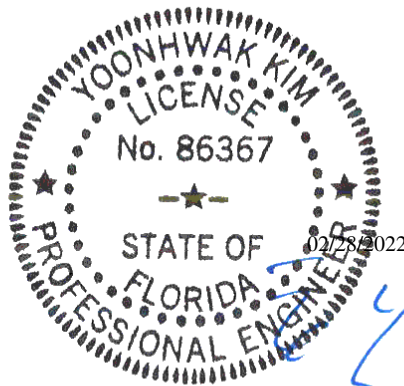
ROOF PITCH: 6/12
 OVERHANG: 1'
 CEILING:
 EXT. WALLS: 4"
 LOADING: 40psf
 WIND LOAD: 130mph
 EXPOSURE: B
 DATE: 2/24/22

JOB #: 22-6963

Job Name: Vercher
 Customer: Red Door Homes
 Designer: Kelly Caudill
 ADDRESS:
 SALESMAN: RL
 : <Not Found>

JOB NO:
 22-6963

PAGE NO:
 1 OF 1



Alpine, an ITW Company
 6750 Forum Drive, Suite 305
 Orlando, FL 32821
 Phone: (800)755-6001
 www.alpineitw.com

This document has been electronically signed and sealed using a Digital Signature. Printed copies without an original signature must be verified using the original electronic version.

Site Information:	Page 1:
Customer: W. B. Howland Company, Inc.	Job Number: 22-6963
Job Description: Vercher	
Address: FL	

Job Engineering Criteria:	
Design Code: FBC 7th Ed. 2020 Res.	IntelliVIEW Version: 21.01.01A JRef #: 1Xdd2150003
Wind Standard: ASCE 7-16 Wind Speed (mph): 130	Design Loading (psf): 40.00
Building Type: Closed	

This package contains general notes pages, 35 truss drawing(s) and 5 detail(s).

Item	Drawing Number	Truss
1	059.22.0938.29717	A01
3	059.22.0938.25480	A03
5	059.22.0938.22043	A06
7	059.22.0938.18620	A08
9	059.22.0938.15373	A10
11	059.22.0938.05393	B01
13	059.22.0938.02420	C01
15	059.22.0937.57873	C03
17	059.22.0937.53683	C05
19	059.22.0937.50027	C07
21	059.22.0937.47080	C09
23	059.22.0937.43137	C11
25	059.22.0937.39143	HJ01
27	059.22.0937.36167	J02
29	059.22.0937.34360	J04
31	059.22.0937.32413	V02
33	059.22.0937.30290	V04
35	059.22.0937.27170	V06
37	VALTN160118	
39	A14015ENC160118	

Item	Drawing Number	Truss
2	059.22.0938.26717	A02
4	059.22.0938.23523	A05
6	059.22.0938.20910	A07
8	059.22.0938.16443	A09
10	059.22.0938.06837	A11
12	059.22.0938.03613	B02
14	059.22.0937.59707	C02
16	059.22.0937.55367	C04
18	059.22.0937.51833	C06
20	059.22.0937.48560	C08
22	059.22.0937.45010	C10
24	059.22.0937.41170	G01
26	059.22.0937.37043	J01
28	059.22.0937.35273	J03
30	059.22.0937.33457	V01
32	059.22.0937.31430	V03
34	059.22.0937.28293	V05
36	VAL180160118	
38	BRCLBSUB0119	
40	GBLLETIN0118	

General Notes

Truss Design Engineer Scope of Work, Design Assumptions and Design Responsibilities:

The design responsibilities assumed in the preparation of these design drawings are those specified in ANSI/TPI 1, Chapter 2; and the National Design Standard for Metal Plate Connected Wood Truss Construction, by the Truss Plate Institute. The truss component designs conform to the applicable provisions of ANSI/TPI 1 and NDS, the National Design Specification for Wood Construction by AWC. The truss component designs are based on the specified loading and dimension information furnished by others to the Truss Design Engineer. The Truss Design Engineer has no duty to independently verify the accuracy or completeness of the information provided by others and may rely on that information without liability. The responsibility for verification of that information remains with others neither employed nor controlled by the Truss Design Engineer. The Truss Design Engineer's seal and signature on the attached drawings, or cover page listing these drawings, indicates acceptance of professional engineering responsibility solely for the truss component designs and not for the technical information furnished by others which technical information and consequences thereof remain their sole responsibility.

The suitability and use of these drawings for any particular structure is the responsibility of the Building Designer in accordance with ANSI/TPI 1 Chapter 2. The Building Designer is responsible for determining that the dimensions and loads for each truss component match those required by the plans and by the actual use of the individual component, and for ascertaining that the loads shown on the drawings meet or exceed applicable building code requirements and any additional factors required in the particular application. Truss components using metal connector plates with integral teeth shall not be placed in environments that will cause the moisture content of the wood in which plates are embedded to exceed 19% and/or cause corrosion of connector plates and other metal fasteners.

The Truss Design Engineer shall not be responsible for items beyond the specific scope of the agreed contracted work set forth herein, including but not limited to: verifying the dimensions of the truss component, calculation of any of the truss component design loads, inspection of the truss components before or after installation, the design of temporary or permanent bracing and their attachment required in the roof and/or floor systems, the design of diaphragms or shear walls, the design of load transfer connections to and from diaphragms and shear walls, the design of load transfer to the foundation, the design of connections for truss components to their bearing supports, the design of the bearing supports, installation of the truss components, observation of the truss component installation process, review of truss assembly procedures, sequencing of the truss component installation, construction means and methods, site and/or worker safety in the installation of the truss components and/or its connections.

This document may be a high quality facsimile of the original engineering document which is a digitally signed electronic file with third party authentication. A wet or embossed seal copy of this engineering document is available upon request.

Temporary Lateral Restraint and Bracing:

Temporary lateral restraint and diagonal bracing shall be installed according to the provisions of BCSI chapters B1, B2, B7 and/or B10 (Building Component Safety Information, by TPI and SBCA), or as specified by the Building Designer or other Registered Design Professional. The required locations for lateral restraint and/or bracing depicted on these drawings are only for the permanent lateral support of the truss members to reduce buckling lengths, and do not apply to and may not be relied upon for the temporary stability of the truss components during their installation.

Permanent Lateral Restraint and Bracing:

The required locations for lateral restraint or bracing depicted on these drawings are for the permanent lateral support of the truss members to reduce buckling lengths. Permanent lateral support shall be installed according to the provisions of BCSI chapters B3, B7 and/or B10, or as specified by the Building Designer or other Registered Design Professional. These drawings do not depict or specify installation/erection bracing, wind bracing, portal bracing or similar building stability bracing which are parts of the overall building design to be specified, designed and detailed by the Building Designer.

Connector Plate Information:

Alpine connector plates are made of ASTM A653 or ASTM A1063 galvanized steel with the following designations, gauges and grades: W=Wave, 20ga, grade 40; H=High Strength, 20ga, grade 60; S=Super Strength, 18ga, grade 60. Information on model code compliance is contained in the ICC Evaluation Service report ESR-1118, available on-line at www.icc-es.org.

Fire Retardant Treated Lumber:

Fire retardant treated lumber must be properly re-dried and maintained below 19% or less moisture level through all stages of construction and usage. Fire retardant treated lumber may be more brittle than untreated lumber. Special handling care must be taken to prevent breakage during all handling activities.

General Notes (continued)

Key to Terms:

Information provided on drawings reflects a summary of the pertinent information required for the truss design. Detailed information on load cases, reactions, member lengths, forces and members requiring permanent lateral support may be found in calculation sheets available upon written request.

BCDL = Bottom Chord standard design Dead Load in pounds per square foot.

BCLL = Bottom Chord standard design Live Load in pounds per square foot.

CL = Certified lumber.

Des Ld = total of TCLL, TCDL, BCLL and BCDL Design Load in pounds per square foot.

FRT = Fire Retardant Treated lumber.

FRT-DB = D-Blaze Fire Retardant Treated lumber.

FRT-DC = Dricon Fire Retardant Treated lumber.

FRT-FP = FirePRO Fire Retardant Treated lumber.

FRT-FL = FlamePRO Fire Retardant Treated lumber.

FRT-FT = FlameTech Fire Retardant Treated lumber.

FRT-PG = PYRO-GUARD Fire Retardant Treated lumber.

g = green lumber.

HORZ(LL) = maximum Horizontal panel point deflection due to Live Load, in inches.

HORZ(TL) = maximum Horizontal panel point long term deflection in inches, due to Total Load, including creep adjustment.

HPL = additional Horizontal Load added to a truss Piece in pounds per linear foot or pounds.

Ic = Incised lumber.

FJ = Finger Jointed lumber.

L/# = user specified divisor for limiting span/deflection ratio for evaluation of actual L/defl value.

L/defl = ratio of Length between bearings, in inches, divided by the vertical Deflection due to creep, in inches, at the referenced panel point. Reported as 999 if greater than or equal to 999.

Loc = Location, starting location of left end of bearing or panel point (joint) location of deflection.

Max BC CSI = Maximum bending and axial Combined Stress Index for Bottom Chords for of all load cases.

Max TC CSI = Maximum bending and axial Combined Stress Index for Top Chords for of all load cases.

Max Web CSI = Maximum bending and axial Combined Stress Index for Webs for of all load cases.

NCBCLL = Non-Concurrent Bottom Chord design Live Load in pounds per square foot.

PL = additional Load applied at a user specified angle on a truss Piece in pounds per linear foot or pounds.

PLB = additional vertical load added to a Bottom chord Piece of a truss in pounds per linear foot or pounds

PLT = additional vertical load added to a Top chord Piece of a truss in pounds per linear foot or pounds.

PP = Panel Point.

R = maximum downward design Reaction, in pounds, from all specified gravity load cases, at the indicated location (Loc).

-R = maximum upward design Reaction, in pounds, from all specified gravity load cases, at the identified location (Loc).

Rh = maximum horizontal design Reaction in either direction, in pounds, from all specified gravity load cases, at the indicated location (Loc).

RL = maximum horizontal design Reaction in either direction, in pounds, from all specified non-gravity (wind or seismic) load cases, at the indicated location (Loc).

Rw = maximum downward design Reaction, in pounds, from all specified non-gravity (wind or seismic) load cases, at the identified location (Loc).

TCDL = Top Chord standard design Dead Load in pounds per square foot.

TCLL = Top Chord standard design Live Load in pounds per square foot.

U = maximum Upward design reaction, in pounds, from all specified non-gravity (wind or seismic) load cases, at the indicated location (Loc).

VERT(CL) = maximum Vertical panel point deflection in inches due to Live Load and Creep Component of Dead Load in inches.

VERT(CTL) = maximum Vertical panel point deflection ratios due to Live Load and Creep Component of Dead Load, and maximum long term Vertical panel point deflection in inches due to Total load, including creep adjustment.

VERT(LL) = maximum Vertical panel point deflection in inches due to Live Load.

VERT(TL) = maximum Vertical panel point long term deflection in inches due to Total load, including creep adjustment.

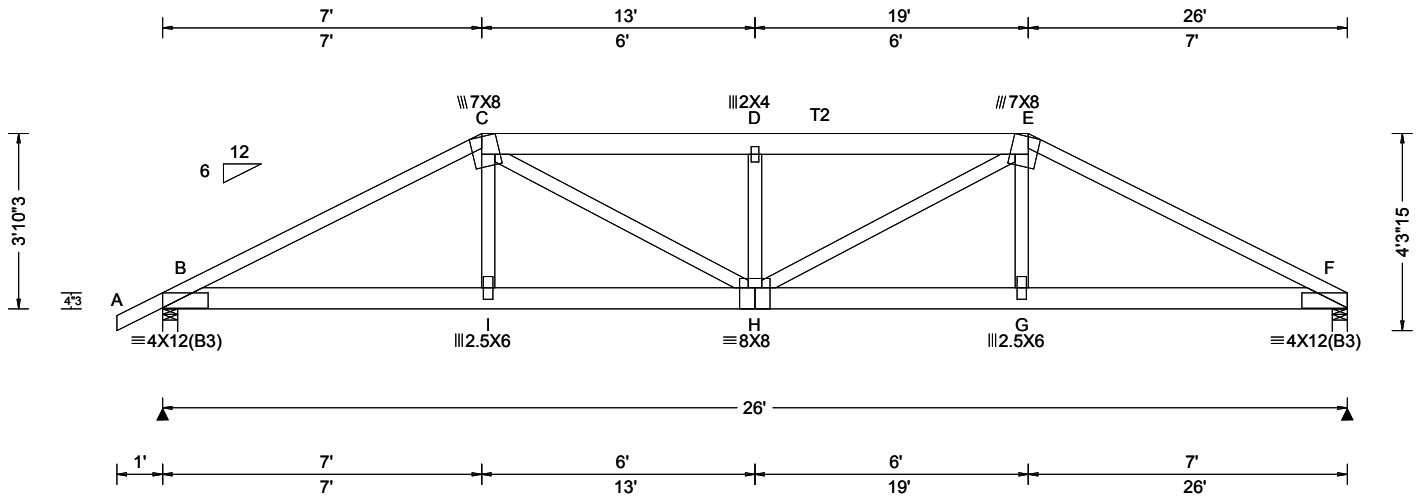
W = Width of non-hanger bearing, in inches.

Refer to ASCE-7 for Wind and Seismic abbreviations.

Uppercase Acronyms not explained above are as defined in TPI 1.

References:

1. AWC: American Wood Council; 222 Catoclin Circle SE, Suite 201; Leesburg, VA 20175; www.awc.org.
2. ICC: International Code Council; www.iccsafe.org.
3. Alpine, a division of ITW Building Components Group Inc.: 514 Earth City Expressway, Suite 242, Earth City, MO 63045; www.alpineitw.com.
4. TPI: Truss Plate Institute, 2670 Crain Highway, Suite 203, Waldorf, MD 20601; www.tpinst.org.
5. SBCA: Wood Truss Council of America, 6300 Enterprise Lane, Madison, WI 53719; www.sbcacomponents.com.



Loading Criteria (psf) TCLL: 20.00 TCDL: 10.00 BCLL: 0.00 BCDL: 10.00 Des Ld: 40.00 NCBCLL: 10.00 Soffit: 2.00 Load Duration: 1.25 Spacing: 24.0 "	Wind Criteria Wind Std: ASCE 7-16 Speed: 130 mph Enclosure: Closed Risk Category: II EXP: C Kzt: NA Mean Height: 15.00 ft TCDL: 5.0 psf BCDL: 5.0 psf MWFRS Parallel Dist: 0 to h/2 C&C Dist a: 3.00 ft Loc. from endwall: not in 4.50 ft GCp: 0.18 Wind Duration: 1.60	Snow Criteria (Pg,Pf in PSF) Pg: NA Ct: NA CAT: NA Pf: NA Ce: NA Lu: NA Cs: NA Snow Duration: NA Building Code: FBC 7th Ed. 2020 Res. TPI Std: 2014 Rep Fac: Varies by Ld Case FT/RT:20(0)/10(0) Plate Type(s): WAVE	Defl/CSI Criteria PP Deflection in loc L/def L/# VERT(LL): 0.189 D 999 240 VERT(CL): 0.381 D 809 180 HORZ(LL): 0.057 F - - HORZ(TL): 0.115 F - - Creep Factor: 2.0 Max TC CSI: 0.729 Max BC CSI: 0.906 Max Web CSI: 0.500 VIEW Ver: 21.01.01A.0521.20	▲ Maximum Reactions (lbs) Gravity Non-Gravity Loc R+ / R- / Rh / Rw / U / RL B 2459 /- /- /- /543 /- F 2389 /- /- /- /517 /- Wind reactions based on MWFRS B Brg Wid = 4.0 Min Req = 2.9 F Brg Wid = 4.0 Min Req = 2.8 Bearings B & F are a rigid surface. Members not listed have forces less than 375# Maximum Top Chord Forces Per Ply (lbs) Chords Tens.Comp. Chords Tens. Comp. B - C 1083 -4835 D - E 1227 -5439 C - D 1227 -5439 E - F 1086 -4844
--	---	--	--	---

Lumber

Top chord: 2x4 SP M-31; T2 2x6 SP #2;
Bot chord: 2x6 SP #2;
Webs: 2x4 SP #3;

Special Loads

---(Lumber Dur.Fac.=1.25 / Plate Dur.Fac.=1.25)
TC: From 62 plf at -1.00 to 62 plf at 7.00
TC: From 31 plf at 7.00 to 31 plf at 19.00
TC: From 62 plf at 19.00 to 62 plf at 26.00
BC: From 4 plf at -1.00 to 4 plf at 0.00
BC: From 20 plf at 0.00 to 20 plf at 7.03
BC: From 10 plf at 7.03 to 10 plf at 18.97
BC: From 20 plf at 18.97 to 20 plf at 26.00
TC: 266 lb Conc. Load at 7.03,18.97
TC: 191 lb Conc. Load at 9.06,11.06,13.00,14.94
16.94
BC: 499 lb Conc. Load at 7.03,18.97
BC: 130 lb Conc. Load at 9.06,11.06,13.00,14.94
16.94

Purlins

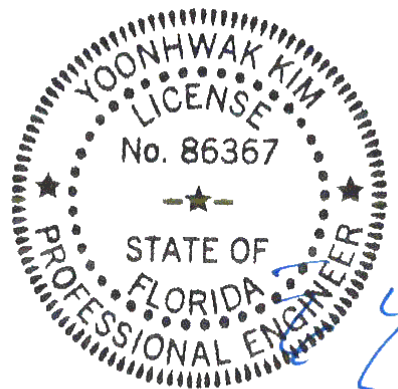
In lieu of structural panels use purlins to brace all flat TC @ 24" oc.

Wind

Wind loads and reactions based on MWFRS.
Wind loading based on both gable and hip roof types.

Additional Notes

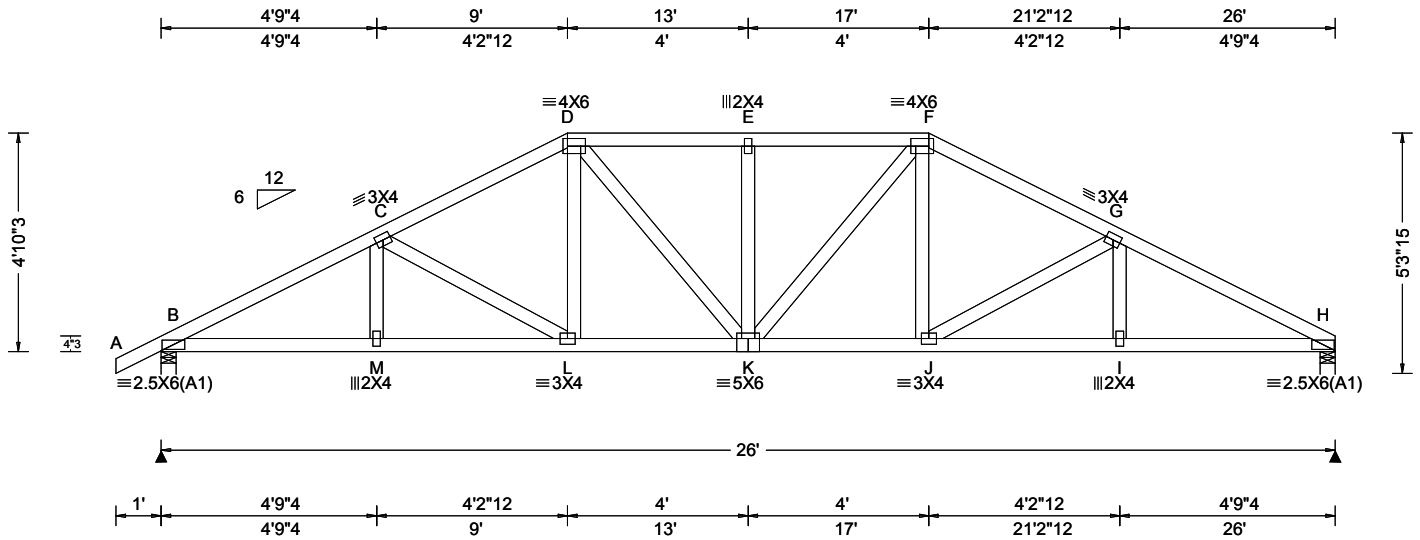
The overall height of this truss excluding overhang is 3-10-3.



FL REG# 278, Yoonhwak Kim, FL PE #86367
02/28/2022

****WARNING** READ AND FOLLOW ALL NOTES ON THIS DRAWING!**
****IMPORTANT** FURNISH THIS DRAWING TO ALL CONTRACTORS INCLUDING THE INSTALLERS**
Trusses require extreme care in fabricating, handling, shipping, installing and bracing. Refer to and follow the latest edition of BCSI (Building Component Safety Information, by TPI and SBCA) for safety practices prior to performing these functions. Installers shall provide temporary bracing per BCSI. Unless noted otherwise, top chord shall have properly attached structural sheathing and bottom chord shall have a properly attached rigid ceiling. Locations shown for permanent lateral restraint of webs shall have bracing installed per BCSI sections B3, B7, or B10, as applicable. Apply plates to each face of truss and position as shown above and on the Joint Details, unless noted otherwise. Refer to drawings 160A-Z for standard plate positions. Refer to job's General Notes page for additional information.
Alpine, a division of ITW Building Components Group Inc. shall not be responsible for any deviation from this drawing, any failure to build the truss in conformance with ANSI/TPI 1, or for handling, shipping, installation and bracing of trusses. A seal on this drawing or cover page listing this drawing, indicates acceptance of professional engineering responsibility solely for the design shown. The suitability and use of this drawing for any structure is the responsibility of the Building Designer per ANSI/TPI 1 Sec.2.
For more information see these web sites: Alpine: alpineitw.com; TPI: tpinst.org; SBCA: sbccomponents.com; ICC: iccsafe.org; AWC: awc.org





Loading Criteria (psf) TCLL: 20.00 TCDL: 10.00 BCLL: 0.00 BCDL: 10.00 Des Ld: 40.00 NCBCLL: 10.00 Soffit: 2.00 Load Duration: 1.25 Spacing: 24.0 "	Wind Criteria Wind Std: ASCE 7-16 Speed: 130 mph Enclosure: Closed Risk Category: II EXP: C Kzt: NA Mean Height: 15.00 ft TCDL: 5.0 psf BCDL: 5.0 psf MWFRS Parallel Dist: h/2 to h C&C Dist a: 3.00 ft Loc. from endwall: not in 9.00 ft GCp: 0.18 Wind Duration: 1.60	Snow Criteria (Pg,Pf in PSF) Pg: NA Ct: NA CAT: NA Pf: NA Ce: NA Lu: NA Cs: NA Snow Duration: NA Building Code: FBC 7th Ed. 2020 Res. TPI Std: 2014 Rep Fac: Yes FT/RT:20(0)/10(0) Plate Type(s): WAVE	Defl/CSI Criteria PP Deflection in loc L/def L/# VERT(LL): 0.077 E 999 240 VERT(CL): 0.158 E 999 180 HORZ(LL): 0.032 H - - HORZ(TL): 0.065 H - - Creep Factor: 2.0 Max TC CSI: 0.234 Max BC CSI: 0.462 Max Web CSI: 0.173 VIEW Ver: 21.01.01A.0521.20	▲ Maximum Reactions (lbs) Gravity Non-Gravity Loc R+ / R- / Rh / Rw / U / RL B 1139 /- /- /669 /205 /131 H 1069 /- /- /613 /187 /- Wind reactions based on MWFRS B Brg Wid = 4.0 Min Req = 1.5 H Brg Wid = 4.0 Min Req = 1.5 Bearings B & H are a rigid surface. Members not listed have forces less than 375# Maximum Top Chord Forces Per Ply (lbs) Chords Tens.Comp. Chords Tens. Comp. B - C 775 - 1926 E - F 801 - 1509 C - D 753 - 1589 F - G 753 - 1593 D - E 801 - 1509 G - H 781 - 1941 Maximum Bot Chord Forces Per Ply (lbs) Chords Tens.Comp. Chords Tens. Comp. B - M 1665 - 650 K - J 1371 - 522 M - L 1663 - 652 J - I 1679 - 640 L - K 1368 - 540 I - H 1681 - 638
--	---	--	--	--

Lumber

Top chord: 2x4 SP #2;
Bot chord: 2x4 SP #2;
Webs: 2x4 SP #3;

Purlins

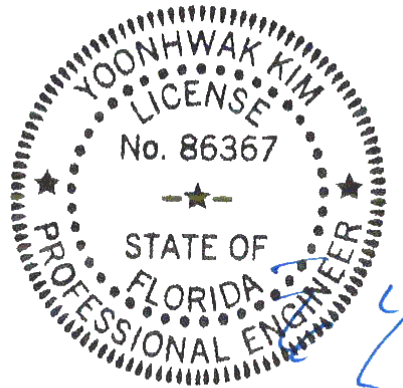
In lieu of structural panels use purlins to brace all flat
TC @ 24" oc.

Wind

Wind loads based on MWFRS with additional C&C
member design.
Wind loading based on both gable and hip roof types.

Additional Notes

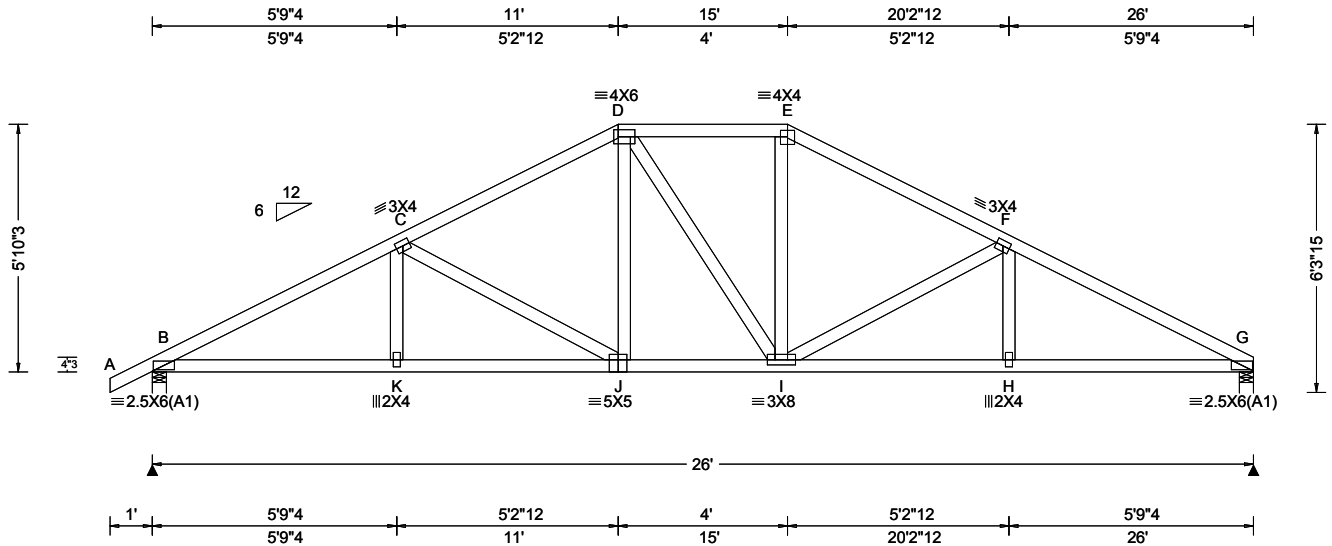
The overall height of this truss excluding overhang is
4-10-3.



FL REG# 278, Yoonhwak Kim, FL PE #86367
02/28/2022

****WARNING** READ AND FOLLOW ALL NOTES ON THIS DRAWING!**
****IMPORTANT** FURNISH THIS DRAWING TO ALL CONTRACTORS INCLUDING THE INSTALLERS**
Trusses require extreme care in fabricating, handling, shipping, installing and bracing. Refer to and follow the latest edition of BCSI (Building Component Safety Information, by TPI and SBCA) for safety practices prior to performing these functions. Installers shall provide temporary bracing per BCSI. Unless noted otherwise, top chord shall have properly attached structural sheathing and bottom chord shall have a properly attached rigid ceiling. Locations shown for permanent lateral restraint of webs shall have bracing installed per BCSI sections B3, B7, or B10, as applicable. Apply plates to each face of truss and position as shown above and on the Joint Details, unless noted otherwise. Refer to drawings 160A-Z for standard plate positions. Refer to job's General Notes page for additional information.
Alpine, a division of ITW Building Components Group Inc. shall not be responsible for any deviation from this drawing, any failure to build the truss in conformance with ANSI/TPI 1, or for handling, shipping, installation and bracing of trusses. A seal on this drawing or cover page listing this drawing, indicates acceptance of professional engineering responsibility solely for the design shown. The suitability and use of this drawing for any structure is the responsibility of the Building Designer per ANSI/TPI 1 Sec.2.
For more information see these web sites: Alpine: alpineitw.com; TPI: tpinst.org; SBCA: sbccomponents.com; ICC: iccsafe.org; AWC: awc.org





Loading Criteria (psf) TCLL: 20.00 TC DL: 10.00 BCLL: 0.00 BCDL: 10.00 Des Ld: 40.00 NCBCLL: 10.00 Soffit: 2.00 Load Duration: 1.25 Spacing: 24.0 "	Wind Criteria Wind Std: ASCE 7-16 Speed: 130 mph Enclosure: Closed Risk Category: II EXP: C Kzt: NA Mean Height: 15.00 ft TC DL: 5.0 psf BCDL: 5.0 psf MWFRS Parallel Dist: h/2 to h C&C Dist a: 3.00 ft Loc. from endwall: not in 9.00 ft GCp: 0.18 Wind Duration: 1.60	Snow Criteria (Pg,Pf in PSF) Pg: NA Ct: NA CAT: NA Pf: NA Ce: NA Lu: NA Cs: NA Snow Duration: NA Building Code: FBC 7th Ed. 2020 Res. TPI Std: 2014 Rep Fac: Yes FT/RT:20(0)/10(0) Plate Type(s): WAVE	Defl/CSI Criteria PP Deflection in loc L/def L/# VERT(LL): 0.070 J 999 240 VERT(CL): 0.144 J 999 180 HORZ(LL): 0.031 G - - HORZ(TL): 0.064 G - - Creep Factor: 2.0 Max TC CSI: 0.317 Max BC CSI: 0.451 Max Web CSI: 0.355 VIEW Ver: 21.01.01A.0521.20	▲ Maximum Reactions (lbs) <table style="width:100%; border-collapse: collapse;"> <thead> <tr> <th rowspan="2">Loc</th> <th colspan="3">Gravity</th> <th colspan="3">Non-Gravity</th> </tr> <tr> <th>R+</th> <th>/R-</th> <th>/Rh</th> <th>/Rw</th> <th>/U</th> <th>/RL</th> </tr> </thead> <tbody> <tr> <td>B</td> <td>1139</td> <td>-</td> <td>-</td> <td>/674</td> <td>/203</td> <td>/157</td> </tr> <tr> <td>G</td> <td>1069</td> <td>-</td> <td>-</td> <td>/618</td> <td>/185</td> <td>-</td> </tr> </tbody> </table> <p>Wind reactions based on MWFRS B Brg Wid = 4.0 Min Req = 1.5 G Brg Wid = 4.0 Min Req = 1.5 Bearings B & G are a rigid surface. Members not listed have forces less than 375# Maximum Top Chord Forces Per Ply (lbs)</p> <table style="width:100%; border-collapse: collapse;"> <thead> <tr> <th>Chords</th> <th>Tens.Comp.</th> <th>Chords</th> <th>Tens. Comp.</th> </tr> </thead> <tbody> <tr> <td>B - C</td> <td>621 -1900</td> <td>E - F</td> <td>572 -1430</td> </tr> <tr> <td>C - D</td> <td>575 -1435</td> <td>F - G</td> <td>625 -1911</td> </tr> <tr> <td>D - E</td> <td>563 -1218</td> <td></td> <td></td> </tr> </tbody> </table> <p>Maximum Bot Chord Forces Per Ply (lbs)</p> <table style="width:100%; border-collapse: collapse;"> <thead> <tr> <th>Chords</th> <th>Tens.Comp.</th> <th>Chords</th> <th>Tens. Comp.</th> </tr> </thead> <tbody> <tr> <td>B - K</td> <td>1634 -502</td> <td>I - H</td> <td>1643 -490</td> </tr> <tr> <td>K - J</td> <td>1631 -504</td> <td>H - G</td> <td>1646 -489</td> </tr> <tr> <td>J - I</td> <td>1214 -349</td> <td></td> <td></td> </tr> </tbody> </table> <p>Maximum Web Forces Per Ply (lbs)</p> <table style="width:100%; border-collapse: collapse;"> <thead> <tr> <th>Webs</th> <th>Tens.Comp.</th> <th>Webs</th> <th>Tens. Comp.</th> </tr> </thead> <tbody> <tr> <td>C - J</td> <td>179 -481</td> <td>I - F</td> <td>186 -498</td> </tr> </tbody> </table>	Loc	Gravity			Non-Gravity			R+	/R-	/Rh	/Rw	/U	/RL	B	1139	-	-	/674	/203	/157	G	1069	-	-	/618	/185	-	Chords	Tens.Comp.	Chords	Tens. Comp.	B - C	621 -1900	E - F	572 -1430	C - D	575 -1435	F - G	625 -1911	D - E	563 -1218			Chords	Tens.Comp.	Chords	Tens. Comp.	B - K	1634 -502	I - H	1643 -490	K - J	1631 -504	H - G	1646 -489	J - I	1214 -349			Webs	Tens.Comp.	Webs	Tens. Comp.	C - J	179 -481	I - F	186 -498
Loc	Gravity			Non-Gravity																																																																			
	R+	/R-	/Rh	/Rw	/U	/RL																																																																	
B	1139	-	-	/674	/203	/157																																																																	
G	1069	-	-	/618	/185	-																																																																	
Chords	Tens.Comp.	Chords	Tens. Comp.																																																																				
B - C	621 -1900	E - F	572 -1430																																																																				
C - D	575 -1435	F - G	625 -1911																																																																				
D - E	563 -1218																																																																						
Chords	Tens.Comp.	Chords	Tens. Comp.																																																																				
B - K	1634 -502	I - H	1643 -490																																																																				
K - J	1631 -504	H - G	1646 -489																																																																				
J - I	1214 -349																																																																						
Webs	Tens.Comp.	Webs	Tens. Comp.																																																																				
C - J	179 -481	I - F	186 -498																																																																				

Lumber

Top chord: 2x4 SP #2;
 Bot chord: 2x4 SP #2;
 Webs: 2x4 SP #3;

Purlins

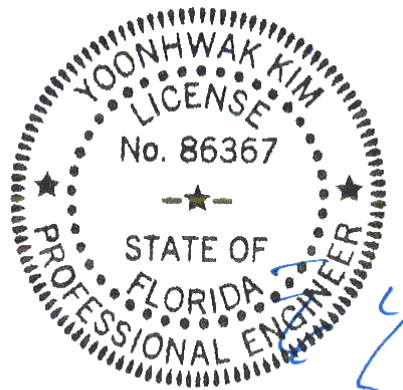
In lieu of structural panels use purlins to brace all flat TC @ 24" oc.

Wind

Wind loads based on MWFRS with additional C&C member design.
 Wind loading based on both gable and hip roof types.

Additional Notes

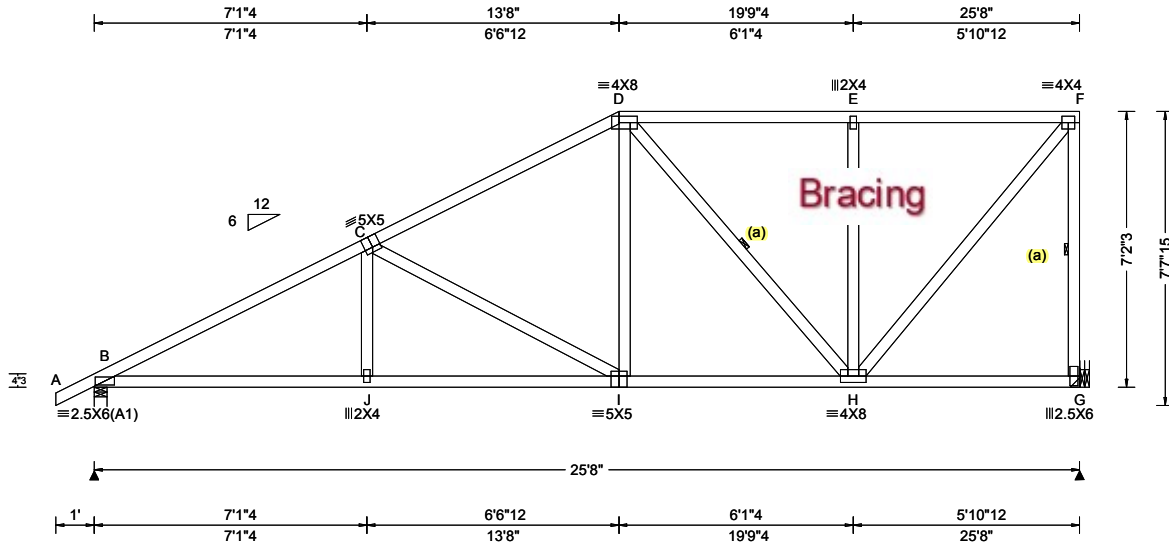
The overall height of this truss excluding overhang is 5-10-3.



FL REG# 278, Yoonhwak Kim, FL PE #86367
 02/28/2022

****WARNING** READ AND FOLLOW ALL NOTES ON THIS DRAWING!**
****IMPORTANT** FURNISH THIS DRAWING TO ALL CONTRACTORS INCLUDING THE INSTALLERS**
 Trusses require extreme care in fabricating, handling, shipping, installing and bracing. Refer to and follow the latest edition of BCSI (Building Component Safety Information, by TPI and SBCA) for safety practices prior to performing these functions. Installers shall provide temporary bracing per BCSI. Unless noted otherwise, top chord shall have properly attached structural sheathing and bottom chord shall have a properly attached rigid ceiling. Locations shown for permanent lateral restraint of webs shall have bracing installed per BCSI sections B3, B7, or B10, as applicable. Apply plates to each face of truss and position as shown above and on the Joint Details, unless noted otherwise. Refer to drawings 160A-Z for standard plate positions. Refer to job's General Notes page for additional information.
 Alpine, a division of ITW Building Components Group Inc. shall not be responsible for any deviation from this drawing, any failure to build the truss in conformance with ANSI/TPI 1, or for handling, shipping, installation and bracing of trusses. A seal on this drawing or cover page listing this drawing, indicates acceptance of professional engineering responsibility solely for the design shown. The suitability and use of this drawing for any structure is the responsibility of the Building Designer per ANSI/TPI 1 Sec.2.
 For more information see these web sites: Alpine: alpineitw.com; TPI: tpinst.org; SBCA: sbccomponents.com; ICC: iccsafe.org; AWC: awc.org





Loading Criteria (psf)	Wind Criteria	Snow Criteria (Pg,Pf in PSF)	Defl/CSI Criteria	▲ Maximum Reactions (lbs)
TCLL: 20.00 TCDL: 10.00 BCLL: 0.00 BCDL: 10.00 Des Ld: 40.00 NCBCLL: 10.00 Soffit: 2.00 Load Duration: 1.25 Spacing: 24.0 "	Wind Std: ASCE 7-16 Speed: 130 mph Enclosure: Closed Risk Category: II EXP: C Kzt: NA Mean Height: 15.00 ft TCDL: 5.0 psf BCDL: 5.0 psf MWFRS Parallel Dist: h/2 to h C&C Dist a: 3.00 ft Loc. from endwall: not in 9.00 ft GCp: 0.18 Wind Duration: 1.60	Pg: NA Ct: NA CAT: NA Pf: NA Ce: NA Lu: NA Cs: NA Snow Duration: NA Building Code: FBC 7th Ed. 2020 Res. TPI Std: 2014 Rep Fac: Yes FT/RT:20(0)/10(0) Plate Type(s): WAVE	PP Deflection in loc L/def L/# VERT(LL): 0.066 J 999 240 VERT(CL): 0.125 J 999 180 HORZ(LL): 0.024 H - - HORZ(TL): 0.045 H - - Creep Factor: 2.0 Max TC CSI: 0.506 Max BC CSI: 0.570 Max Web CSI: 0.947 VIEW Ver: 21.01.01A.0521.20	Gravity Loc R+ / R- / Rh / Rw / U / RL Non-Gravity B 1175 /- /- /718 /170 /255 G 1196 /- /- /586 /224 /- Wind reactions based on MWFRS B Brg Wid = 4.0 Min Req = 1.5 G Brg Wid = - Bearing B is a rigid surface. Members not listed have forces less than 375# Maximum Top Chord Forces Per Ply (lbs) Chords Tens.Comp. Chords Tens. Comp. B - C 564 -1918 D - E 408 -807 C - D 499 -1319 E - F 407 -806

Lumber

Top chord: 2x4 SP #2;
Bot chord: 2x4 SP #2;
Webs: 2x4 SP #3;

Bracing

(a) Continuous lateral restraint equally spaced on member.

Hangers / Ties

Hanger support required, by others.

Loading

Truss passed check for 20 psf additional bottom chord live load in areas with 42"-high x 24"-wide clearance.

Purlins

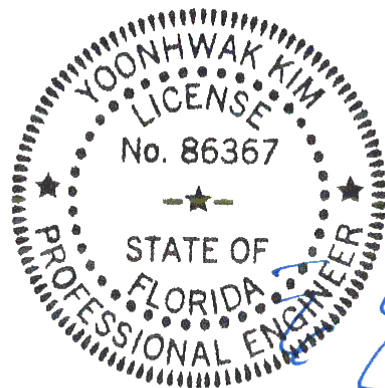
In lieu of structural panels use purlins to brace all flat TC @ 24" oc.

Wind

Wind loads based on MWFRS with additional C&C member design.
Right end vertical not exposed to wind pressure.
Wind loading based on both gable and hip roof types.

Additional Notes

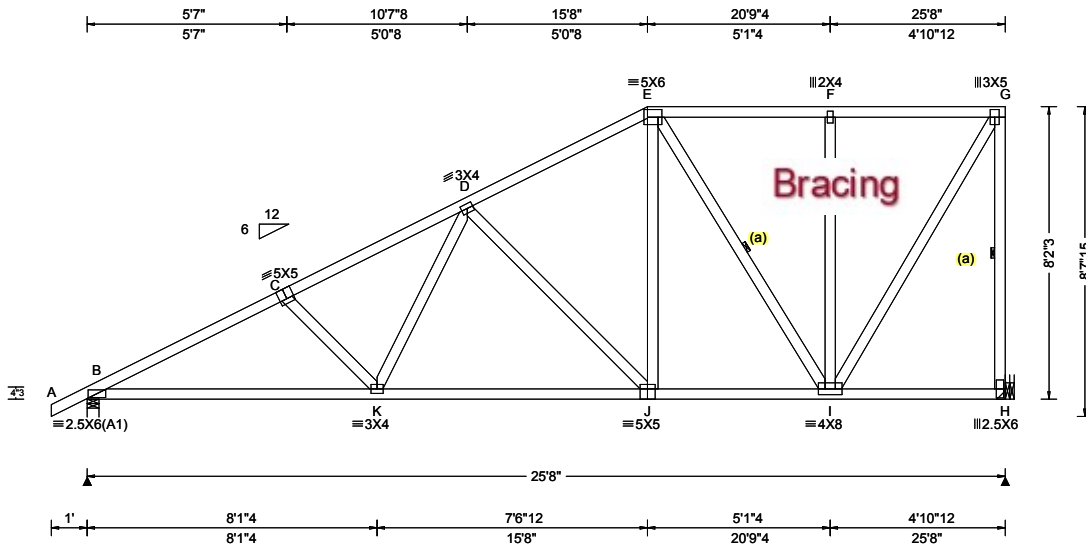
The overall height of this truss excluding overhang is 7-2-3.



FL REG# 278, Yoonhwak Kim, FL PE #86367
02/28/2022

****WARNING** READ AND FOLLOW ALL NOTES ON THIS DRAWING!**
****IMPORTANT** FURNISH THIS DRAWING TO ALL CONTRACTORS INCLUDING THE INSTALLERS**
Trusses require extreme care in fabricating, handling, shipping, installing and bracing. Refer to and follow the latest edition of BCSI (Building Component Safety Information, by TPI and SBCA) for safety practices prior to performing these functions. Installers shall provide temporary bracing per BCSI. Unless noted otherwise, top chord shall have properly attached structural sheathing and bottom chord shall have a properly attached rigid ceiling. Locations shown for permanent lateral restraint of webs shall have bracing installed per BCSI sections B3, B7, or B10, as applicable. Apply plates to each face of truss and position as shown above and on the Joint Details, unless noted otherwise. Refer to drawings 160A-Z for standard plate positions. Refer to job's General Notes page for additional information.
Alpine, a division of ITW Building Components Group Inc. shall not be responsible for any deviation from this drawing, any failure to build the truss in conformance with ANSI/TPI 1, or for handling, shipping, installation and bracing of trusses. A seal on this drawing or cover page listing this drawing, indicates acceptance of professional engineering responsibility solely for the design shown. The suitability and use of this drawing for any structure is the responsibility of the Building Designer per ANSI/TPI 1 Sec.2.
For more information see these web sites: Alpine: alpineitw.com; TPI: tpinst.org; SBCA: sbccomponents.com; ICC: iccsafe.org; AWC: awc.org





Loading Criteria (psf) TCLL: 20.00 TCDL: 10.00 BCLL: 0.00 BCDL: 10.00 Des Ld: 40.00 NCBCLL: 10.00 Soffit: 2.00 Load Duration: 1.25 Spacing: 24.0 "	Wind Criteria Wind Std: ASCE 7-16 Speed: 130 mph Enclosure: Closed Risk Category: II EXP: C Kzt: NA Mean Height: 15.00 ft TCDL: 5.0 psf BCDL: 5.0 psf MWFRS Parallel Dist: h to 2h C&C Dist a: 3.00 ft Loc. from endwall: not in 9.00 ft GCp: 0.18 Wind Duration: 1.60	Snow Criteria (Pg,Pf in PSF) Pg: NA Ct: NA CAT: NA Pf: NA Ce: NA Lu: NA Cs: NA Snow Duration: NA Building Code: FBC 7th Ed. 2020 Res. TPI Std: 2014 Rep Fac: Yes FT/RT:20(0)/10(0) Plate Type(s): WAVE	Defl/CSI Criteria PP Deflection in loc L/def L/# VERT(LL): 0.069 K 999 240 VERT(CL): 0.130 K 999 180 HORZ(LL): 0.023 I - - HORZ(TL): 0.044 I - - Creep Factor: 2.0 Max TC CSI: 0.316 Max BC CSI: 0.687 Max Web CSI: 0.866 VIEW Ver: 21.01.01A.0521.20	▲ Maximum Reactions (lbs) Gravity Non-Gravity Loc R+ / R- / Rh / Rw / U / RL B 1168 /- /- /727 /57 /211 H 1196 /- /- /606 /177 /- Wind reactions based on MWFRS B Brg Wid = 4.0 Min Req = 1.5 H Brg Wid = - Bearing B is a rigid surface. Members not listed have forces less than 375# Maximum Top Chord Forces Per Ply (lbs) Chords Tens.Comp. Chords Tens. Comp. B - C 483 - 1941 E - F 286 - 609 C - D 459 - 1718 F - G 286 - 609 D - E 383 - 1087
--	--	--	--	--

Lumber
Top chord: 2x4 SP #2;
Bot chord: 2x4 SP #2;
Webs: 2x4 SP #3;

Bracing
(a) Continuous lateral restraint equally spaced on member.

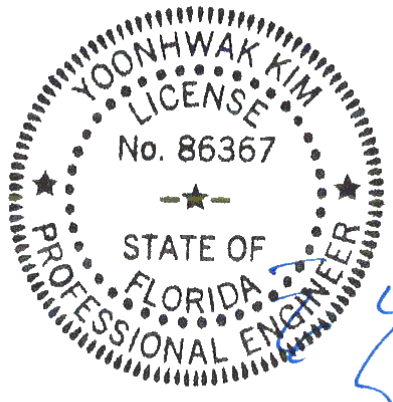
Hangers / Ties
Hanger support required, by others.

Loading
Truss passed check for 20 psf additional bottom chord live load in areas with 42"-high x 24"-wide clearance.

Purlins
In lieu of structural panels use purlins to brace all flat TC @ 24" oc.

Wind
Wind loads based on MWFRS with additional C&C member design.
Right end vertical not exposed to wind pressure.
Wind loading based on both gable and hip roof types.

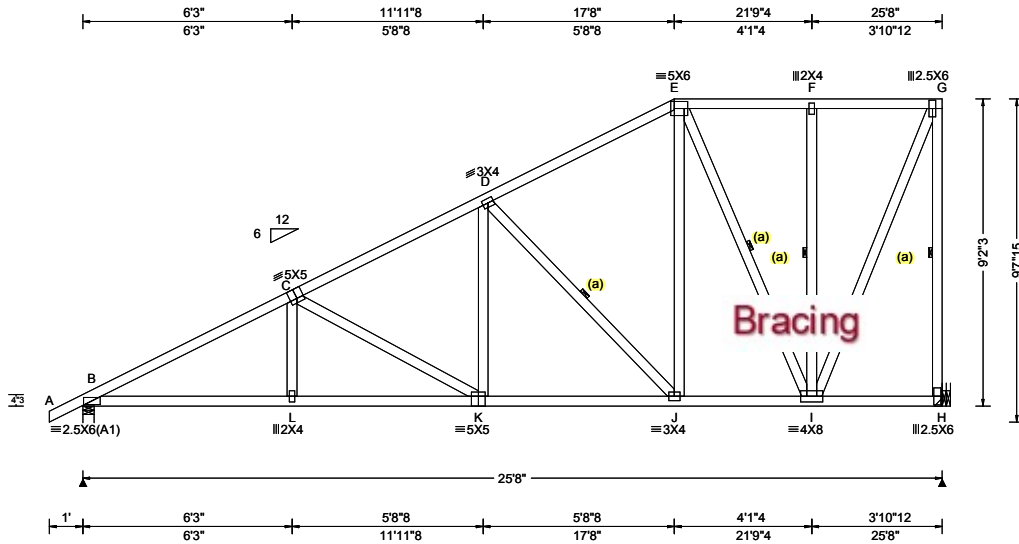
Additional Notes
The overall height of this truss excluding overhang is 8-2-3.



FL REG# 278, Yoonhwak Kim, FL PE #86367
02/28/2022

****WARNING** READ AND FOLLOW ALL NOTES ON THIS DRAWING!**
****IMPORTANT** FURNISH THIS DRAWING TO ALL CONTRACTORS INCLUDING THE INSTALLERS**
Trusses require extreme care in fabricating, handling, shipping, installing and bracing. Refer to and follow the latest edition of BCSI (Building Component Safety Information, by TPI and SBCA) for safety practices prior to performing these functions. Installers shall provide temporary bracing per BCSI. Unless noted otherwise, top chord shall have properly attached structural sheathing and bottom chord shall have a properly attached rigid ceiling. Locations shown for permanent lateral restraint of webs shall have bracing installed per BCSI sections B3, B7, or B10, as applicable. Apply plates to each face of truss and position as shown above and on the Joint Details, unless noted otherwise. Refer to drawings 160A-Z for standard plate positions. Refer to job's General Notes page for additional information.
Alpine, a division of ITW Building Components Group Inc. shall not be responsible for any deviation from this drawing, any failure to build the truss in conformance with ANSI/TPI 1, or for handling, shipping, installation and bracing of trusses. A seal on this drawing or cover page listing this drawing, indicates acceptance of professional engineering responsibility solely for the design shown. The suitability and use of this drawing for any structure is the responsibility of the Building Designer per ANSI/TPI 1 Sec.2.
For more information see these web sites: Alpine: alpineitw.com; TPI: tpinst.org; SBCA: sbccomponents.com; ICC: iccsafe.org; AWC: awc.org





Loading Criteria (psf) TCLL: 20.00 TCDL: 10.00 BCLL: 0.00 BCDL: 10.00 Des Ld: 40.00 NCBCLL: 10.00 Soffit: 2.00 Load Duration: 1.25 Spacing: 24.0 "	Wind Criteria Wind Std: ASCE 7-16 Speed: 130 mph Enclosure: Closed Risk Category: II EXP: C Kzt: NA Mean Height: 15.00 ft TCDL: 5.0 psf BCDL: 5.0 psf MWFRS Parallel Dist: h to 2h C&C Dist a: 3.00 ft Loc. from endwall: not in 9.00 ft GCp: 0.18 Wind Duration: 1.60	Snow Criteria (Pg,Pf in PSF) Pg: NA Ct: NA CAT: NA Pf: NA Ce: NA Lu: NA Cs: NA Snow Duration: NA Building Code: FBC 7th Ed. 2020 Res. TPI Std: 2014 Rep Fac: Yes FT/RT:20(0)/10(0) Plate Type(s): WAVE	Defl/CSI Criteria PP Deflection in loc L/defl L/# VERT(LL): 0.067 K 999 240 VERT(CL): 0.133 K 999 180 HORZ(LL): 0.023 I - - HORZ(TL): 0.046 I - - Creep Factor: 2.0 Max TC CSI: 0.356 Max BC CSI: 0.469 Max Web CSI: 0.863 VIEW Ver: 21.01.01A.0521.20	▲ Maximum Reactions (lbs) Gravity Loc R+ / R- / Rh / Rw / U / RL Non-Gravity B 1153 /- /- /733 /41 /237 H 1109 /- /- /629 /171 /- Wind reactions based on MWFRS B Brg Wid = 4.0 Min Req = 1.5 H Brg Wid = - Bearing B is a rigid surface. Members not listed have forces less than 375# Maximum Top Chord Forces Per Ply (lbs) Chords Tens.Comp. Chords Tens. Comp. B - C 386 -1905 E - F 197 -430 C - D 338 -1407 F - G 197 -430 D - E 281 -877
--	--	--	---	---

Lumber

Top chord: 2x4 SP #2;
Bot chord: 2x4 SP #2;
Webs: 2x4 SP #3;

Bracing

(a) Continuous lateral restraint equally spaced on member.

Hangers / Ties

Hanger support required, by others.

Loading

Truss passed check for 20 psf additional bottom chord live load in areas with 42"-high x 24"-wide clearance.

Purlins

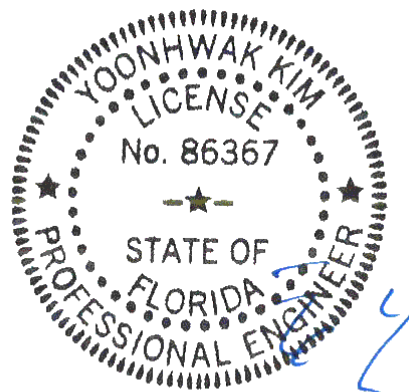
In lieu of structural panels use purlins to brace all flat TC @ 24" oc.

Wind

Wind loads based on MWFRS with additional C&C member design.
Right end vertical not exposed to wind pressure.
Wind loading based on both gable and hip roof types.

Additional Notes

The overall height of this truss excluding overhang is 9-2-3.

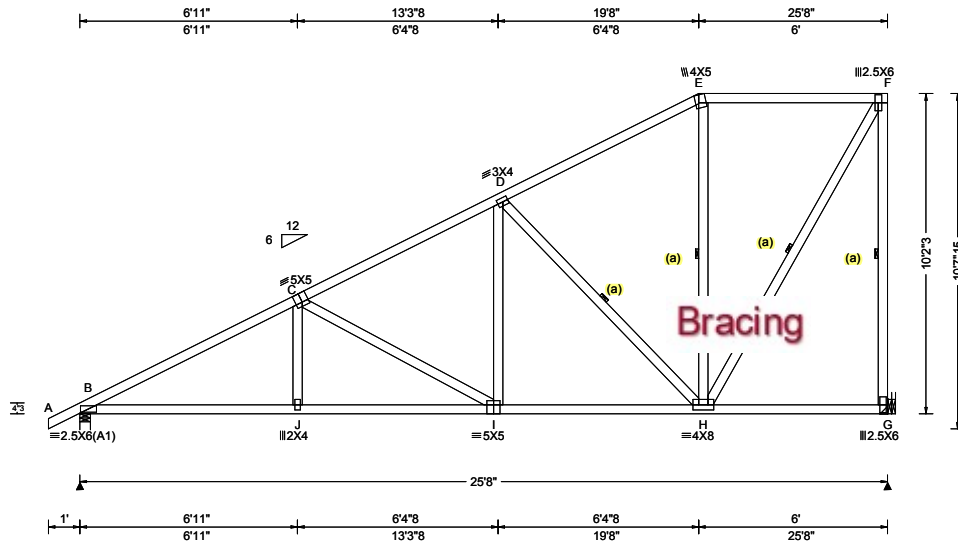


FL REG# 278, Yoonhwak Kim, FL PE #86367
02/28/2022

****WARNING** READ AND FOLLOW ALL NOTES ON THIS DRAWING!**
****IMPORTANT** FURNISH THIS DRAWING TO ALL CONTRACTORS INCLUDING THE INSTALLERS**
Trusses require extreme care in fabricating, handling, shipping, installing and bracing. Refer to and follow the latest edition of BCSI (Building Component Safety Information, by TPI and SBCA) for safety practices prior to performing these functions. Installers shall provide temporary bracing per BCSI. Unless noted otherwise, top chord shall have properly attached structural sheathing and bottom chord shall have a properly attached rigid ceiling. Locations shown for permanent lateral restraint of webs shall have bracing installed per BCSI sections B3, B7, or B10, as applicable. Apply plates to each face of truss and position as shown above and on the Joint Details, unless noted otherwise. Refer to drawings 160A-Z for standard plate positions. Refer to job's General Notes page for additional information.
Alpine, a division of ITW Building Components Group Inc. shall not be responsible for any deviation from this drawing, any failure to build the truss in conformance with ANSI/TPI 1, or for handling, shipping, installation and bracing of trusses. A seal on this drawing or cover page listing this drawing, indicates acceptance of professional engineering responsibility solely for the design shown. The suitability and use of this drawing for any structure is the responsibility of the Building Designer per ANSI/TPI 1 Sec.2.
For more information see these web sites: Alpine: alpineitw.com; TPI: tpinst.org; SBCA: sbccomponents.com; ICC: iccsafe.org; AWC: awc.org



SEQN: 648345 FROM: CDM	SPEC Ply: 1 Qty: 2	Job Number: 22-6963 Vercher Truss Label: A08	Cust: R215 JRef: 1Xdd2150003 T34 DrwNo: 059.22.0938.18620 SSB / YK 02/28/2022
---------------------------	--------------------------	--	---



Loading Criteria (psf) TCLL: 20.00 TCDL: 10.00 BCLL: 0.00 BCDL: 10.00 Des Ld: 40.00 NCBCLL: 10.00 Soffit: 2.00 Load Duration: 1.25 Spacing: 24.0 "	Wind Criteria Wind Std: ASCE 7-16 Speed: 130 mph Enclosure: Closed Risk Category: II EXP: C Kzt: NA Mean Height: 15.00 ft TCDL: 5.0 psf BCDL: 5.0 psf MWFRS Parallel Dist: h to 2h C&C Dist a: 3.00 ft Loc. from endwall: not in 9.00 ft GCp: 0.18 Wind Duration: 1.60	Snow Criteria (Pg,Pf in PSF) Pg: NA Ct: NA CAT: NA Pf: NA Ce: NA Lu: NA Cs: NA Snow Duration: NA Building Code: FBC 7th Ed. 2020 Res. TPI Std: 2014 Rep Fac: Yes FT/RT:20(0)/10(0) Plate Type(s): WAVE	Defl/CSI Criteria PP Deflection in loc L/def L/# VERT(LL): 0.070 J 999 240 VERT(CL): 0.129 J 999 180 HORZ(LL): 0.025 H - - HORZ(TL): 0.046 H - - Creep Factor: 2.0 Max TC CSI: 0.517 Max BC CSI: 0.544 Max Web CSI: 0.943 VIEW Ver: 21.01.01A.0521.20	▲ Maximum Reactions (lbs) Gravity Non-Gravity Loc R+ / R- / Rh / Rw / U / RL B 1187 /- /- /736 /25 /263 G 1231 /- /- /655 /165 /- Wind reactions based on MWFRS B Brg Wid = 4.0 Min Req = 1.5 G Brg Wid = - Bearing B is a rigid surface. Members not listed have forces less than 375# Maximum Top Chord Forces Per Ply (lbs) Chords Tens.Comp. Chords Tens. Comp. B - C 310 -1949 D - E 182 -725 C - D 248 -1384 E - F 211 -568
--	--	--	--	--

Lumber
Top chord: 2x4 SP #2;
Bot chord: 2x4 SP #2;
Webs: 2x4 SP #3;

Bracing
(a) Continuous lateral restraint equally spaced on member.

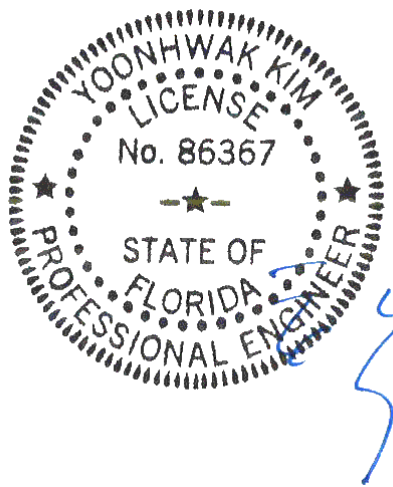
Hangers / Ties
Hanger support required, by others.

Loading
Truss passed check for 20 psf additional bottom chord live load in areas with 42"-high x 24"-wide clearance.

Purlins
In lieu of structural panels use purlins to brace all flat TC @ 24" oc.

Wind
Wind loads based on MWFRS with additional C&C member design.
Right end vertical not exposed to wind pressure.
Wind loading based on both gable and hip roof types.

Additional Notes
The overall height of this truss excluding overhang is 10-2-3.



FL REG# 278, Yoonhwak Kim, FL PE #86367
02/28/2022

Maximum Bot Chord Forces Per Ply (lbs)

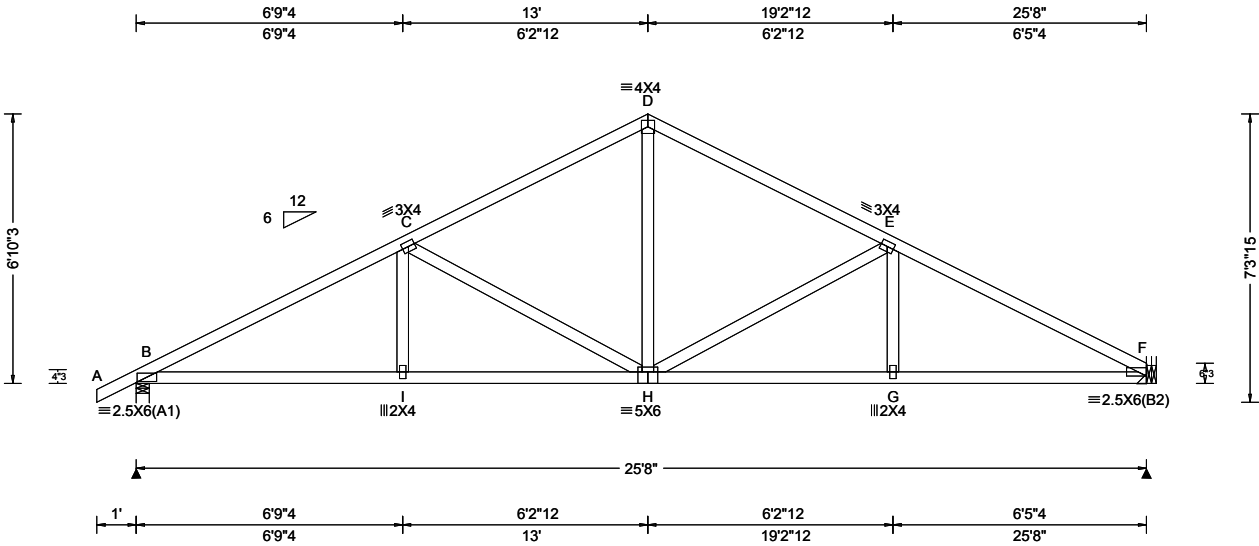
Chords	Tens.Comp.	Chords	Tens. Comp.
B - J	1666 -582	I - H	1141 -393
J - I	1664 -584		

Maximum Web Forces Per Ply (lbs)

Webs	Tens.Comp.	Webs	Tens. Comp.
C - I	218 -584	H - F	1114 -414
I - D	497 -45	F - G	518 -1111
D - H	257 -826		

****WARNING** READ AND FOLLOW ALL NOTES ON THIS DRAWING!**
****IMPORTANT** FURNISH THIS DRAWING TO ALL CONTRACTORS INCLUDING THE INSTALLERS**
Trusses require extreme care in fabricating, handling, shipping, installing and bracing. Refer to and follow the latest edition of BCSI (Building Component Safety Information, by TPI and SBCA) for safety practices prior to performing these functions. Installers shall provide temporary bracing per BCSI. Unless noted otherwise, top chord shall have properly attached structural sheathing and bottom chord shall have a properly attached rigid ceiling. Locations shown for permanent lateral restraint of webs shall have bracing installed per BCSI sections B3, B7, or B10, as applicable. Apply plates to each face of truss and position as shown above and on the Joint Details, unless noted otherwise. Refer to drawings 160A-Z for standard plate positions. Refer to job's General Notes page for additional information.
Alpine, a division of ITW Building Components Group Inc. shall not be responsible for any deviation from this drawing, any failure to build the truss in conformance with ANSI/TPI 1, or for handling, shipping, installation and bracing of trusses. A seal on this drawing or cover page listing this drawing, indicates acceptance of professional engineering responsibility solely for the design shown. The suitability and use of this drawing for any structure is the responsibility of the Building Designer per ANSI/TPI 1 Sec.2.
For more information see these web sites: Alpine: alpineitw.com; TPI: tpinst.org; SBCA: sbccomponents.com; ICC: iccsafe.org; AWC: awc.org





Loading Criteria (psf) TCLL: 20.00 TCDL: 10.00 BCLL: 0.00 BCDL: 10.00 Des Ld: 40.00 NCBCLL: 10.00 Soffit: 2.00 Load Duration: 1.25 Spacing: 24.0 "	Wind Criteria Wind Std: ASCE 7-16 Speed: 130 mph Enclosure: Closed Risk Category: II EXP: C Kzt: NA Mean Height: 15.00 ft TCDL: 5.0 psf BCDL: 5.0 psf MWFRS Parallel Dist: 0 to h/2 C&C Dist a: 3.00 ft Loc. from endwall: not in 4.50 ft GCp: 0.18 Wind Duration: 1.60	Snow Criteria (Pg,Pf in PSF) Pg: NA Ct: NA CAT: NA Pf: NA Ce: NA Lu: NA Cs: NA Snow Duration: NA Building Code: FBC 7th Ed. 2020 Res. TPI Std: 2014 Rep Fac: Yes FT/RT:20(0)/10(0) Plate Type(s): WAVE	Defl/CSI Criteria PP Deflection in loc L/def L/# VERT(LL): 0.073 H 999 240 VERT(CL): 0.149 H 999 180 HORZ(LL): 0.034 F - - HORZ(TL): 0.069 F - - Creep Factor: 2.0 Max TC CSI: 0.476 Max BC CSI: 0.580 Max Web CSI: 0.562 VIEW Ver: 21.01.01A.0521.20	▲ Maximum Reactions (lbs) Gravity Non-Gravity Loc R+ / R- / Rh / Rw / U / RL B 1127 /- /- /668 /198 /180 F 1054 /- /- /607 /182 /- Wind reactions based on MWFRS B Brg Wid = 4.0 Min Req = 1.5 F Brg Wid = - Bearing B is a rigid surface. Members not listed have forces less than 375# Maximum Top Chord Forces Per Ply (lbs) Chords Tens.Comp. Chords Tens. Comp. B - C 456 - 1831 D - E 403 - 1261 C - D 401 - 1263 E - F 449 - 1777
--	---	--	--	---

Lumber

Top chord: 2x4 SP #2;
Bot chord: 2x4 SP #2;
Webs: 2x4 SP #3;

Hangers / Ties

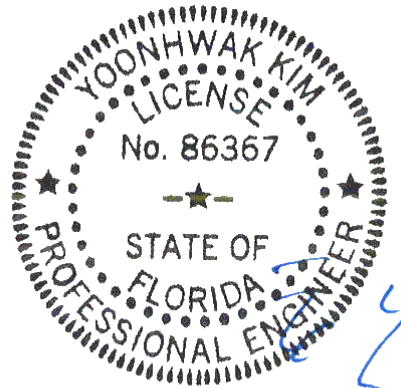
Hanger support required, by others.

Wind

Wind loads based on MWFRS with additional C&C member design.
Wind loading based on both gable and hip roof types.

Additional Notes

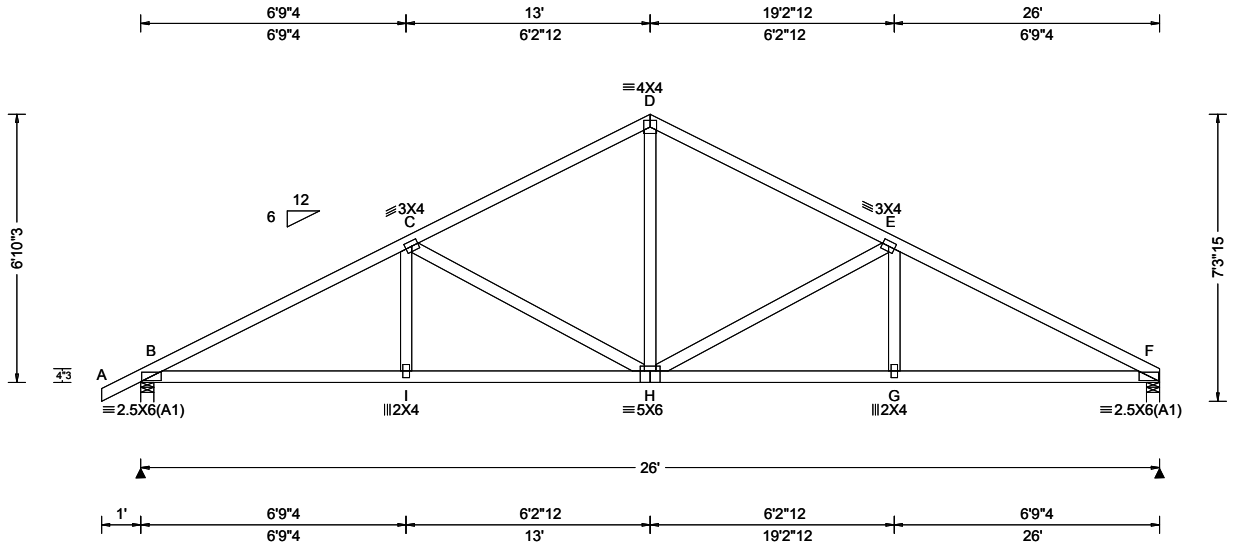
The overall height of this truss excluding overhang is 6-10-3.



FL REG# 278, Yoonhwak Kim, FL PE #86367
02/28/2022

****WARNING** READ AND FOLLOW ALL NOTES ON THIS DRAWING!**
****IMPORTANT** FURNISH THIS DRAWING TO ALL CONTRACTORS INCLUDING THE INSTALLERS**
Trusses require extreme care in fabricating, handling, shipping, installing and bracing. Refer to and follow the latest edition of BCSI (Building Component Safety Information, by TPI and SBCA) for safety practices prior to performing these functions. Installers shall provide temporary bracing per BCSI. Unless noted otherwise, top chord shall have properly attached structural sheathing and bottom chord shall have a properly attached rigid ceiling. Locations shown for permanent lateral restraint of webs shall have bracing installed per BCSI sections B3, B7, or B10, as applicable. Apply plates to each face of truss and position as shown above and on the Joint Details, unless noted otherwise. Refer to drawings 160A-Z for standard plate positions. Refer to job's General Notes page for additional information.
Alpine, a division of ITW Building Components Group Inc. shall not be responsible for any deviation from this drawing, any failure to build the truss in conformance with ANSI/TPI 1, or for handling, shipping, installation and bracing of trusses. A seal on this drawing or cover page listing this drawing, indicates acceptance of professional engineering responsibility solely for the design shown. The suitability and use of this drawing for any structure is the responsibility of the Building Designer per ANSI/TPI 1 Sec.2.
For more information see these web sites: Alpine: alpineitw.com; TPI: tpinst.org; SBCA: sbccomponents.com; ICC: iccsafe.org; AWC: awc.org





Loading Criteria (psf) TCLL: 20.00 TCDL: 10.00 BCLL: 0.00 BCDL: 10.00 Des Ld: 40.00 NCBCLL: 10.00 Soffit: 2.00 Load Duration: 1.25 Spacing: 24.0 "	Wind Criteria Wind Std: ASCE 7-16 Speed: 130 mph Enclosure: Closed Risk Category: II EXP: C Kzt: NA Mean Height: 15.00 ft TCDL: 5.0 psf BCDL: 5.0 psf MWFRS Parallel Dist: 0 to h/2 C&C Dist a: 3.00 ft Loc. from endwall: Any GCp: 0.18 Wind Duration: 1.60	Snow Criteria (Pg,Pf in PSF) Pg: NA Ct: NA CAT: NA Pf: NA Ce: NA Lu: NA Cs: NA Snow Duration: NA Building Code: FBC 7th Ed. 2020 Res. TPI Std: 2014 Rep Fac: Yes FT/RT:20(0)/10(0) Plate Type(s): WAVE	Defl/CSI Criteria PP Deflection in loc L/def L/# VERT(LL): 0.070 H 999 240 VERT(CL): 0.143 H 999 180 HORZ(LL): 0.031 F - - HORZ(TL): 0.064 F - - Creep Factor: 2.0 Max TC CSI: 0.467 Max BC CSI: 0.536 Max Web CSI: 0.576 VIEW Ver: 21.01.01A.0521.20	▲ Maximum Reactions (lbs) Gravity Non-Gravity Loc R+ / R- / Rh / Rw / U / RL B 1139 /- /- /673 /201 /183 F 1069 /- /- /617 /182 /- Wind reactions based on MWFRS B Brg Wid = 4.0 Min Req = 1.5 F Brg Wid = 4.0 Min Req = 1.5 Bearings B & F are a rigid surface. Members not listed have forces less than 375# Maximum Top Chord Forces Per Ply (lbs) Chords Tens.Comp. Chords Tens. Comp. B - C 767 -1858 D - E 649 -1288 C - D 648 -1287 E - F 774 -1867 Maximum Bot Chord Forces Per Ply (lbs) Chords Tens.Comp. Chords Tens. Comp. B - I 1588 -610 H - G 1594 -592 I - H 1585 -612 G - F 1597 -591 Maximum Web Forces Per Ply (lbs) Webs Tens.Comp. Webs Tens. Comp. C - H 347 -590 H - E 354 -600 D - H 706 -265
--	--	--	--	--

Lumber

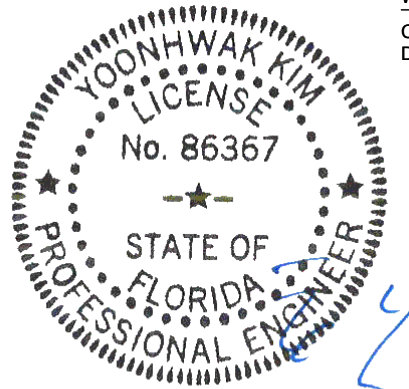
Top chord: 2x4 SP #2;
Bot chord: 2x4 SP #2;
Webs: 2x4 SP #3;

Wind

Wind loads based on MWFRS with additional C&C member design.
Wind loading based on both gable and hip roof types.

Additional Notes

The overall height of this truss excluding overhang is 6-10-3.

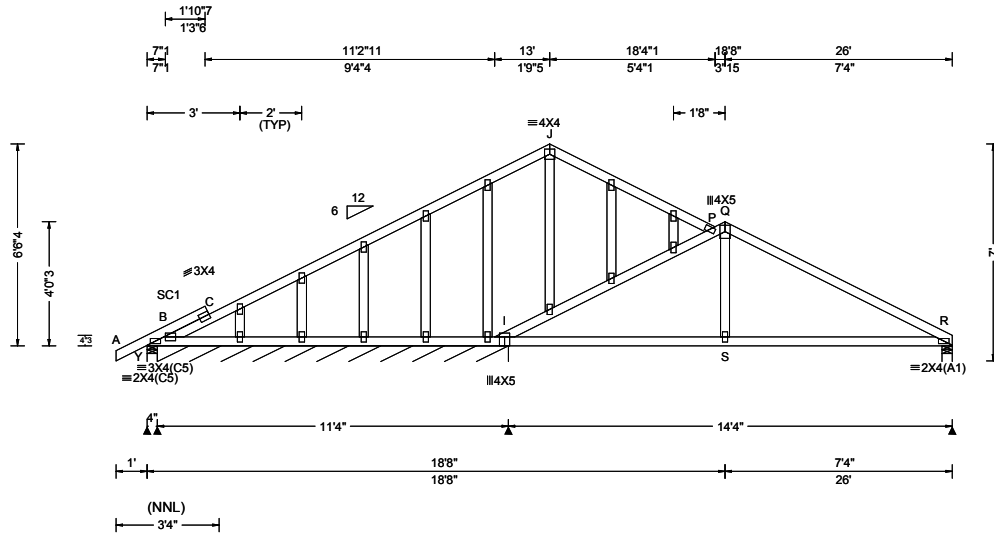


FL REG# 278, Yoonhwak Kim, FL PE #86367
02/28/2022

****WARNING** READ AND FOLLOW ALL NOTES ON THIS DRAWING!**
****IMPORTANT** FURNISH THIS DRAWING TO ALL CONTRACTORS INCLUDING THE INSTALLERS**
Trusses require extreme care in fabricating, handling, shipping, installing and bracing. Refer to and follow the latest edition of BCSI (Building Component Safety Information, by TPI and SBCA) for safety practices prior to performing these functions. Installers shall provide temporary bracing per BCSI. Unless noted otherwise, top chord shall have properly attached structural sheathing and bottom chord shall have a properly attached rigid ceiling. Locations shown for permanent lateral restraint of webs shall have bracing installed per BCSI sections B3, B7, or B10, as applicable. Apply plates to each face of truss and position as shown above and on the Joint Details, unless noted otherwise. Refer to drawings 160A-Z for standard plate positions. Refer to job's General Notes page for additional information.
Alpine, a division of ITW Building Components Group Inc. shall not be responsible for any deviation from this drawing, any failure to build the truss in conformance with ANSI/TPI 1, or for handling, shipping, installation and bracing of trusses. A seal on this drawing or cover page listing this drawing, indicates acceptance of professional engineering responsibility solely for the design shown. The suitability and use of this drawing for any structure is the responsibility of the Building Designer per ANSI/TPI 1 Sec.2.
For more information see these web sites: Alpine: alpineitw.com; TPI: tpinst.org; SBCA: sbccomponents.com; ICC: iccsafe.org; AWC: awc.org



SEQN: 648320 FROM: CDM	GABL Ply: 1 Qty: 1	Job Number: 22-6963 Vercher Truss Label: A11	Cust: R215 JRef: 1Xdd2150003 T20 DrwNo: 059.22.0938.06837 SSB / YK 02/28/2022
---------------------------	--------------------------	--	---



Loading Criteria (psf) TCLL: 20.00 TCDL: 10.00 BCLL: 0.00 BCDL: 10.00 Des Ld: 40.00 NCBCLL: 10.00 Soffit: 2.00 Load Duration: 1.25 Spacing: 24.0 "	Wind Criteria Wind Std: ASCE 7-16 Speed: 130 mph Enclosure: Closed Risk Category: II EXP: C Kzt: NA Mean Height: 15.00 ft TCDL: 5.0 psf BCDL: 5.0 psf MWFRS Parallel Dist: 0 to h/2 C&C Dist a: 3.00 ft Loc. from endwall: Any GCpi: 0.18 Wind Duration: 1.60	Snow Criteria (Pg,Pf in PSF) Pg: NA Ct: NA CAT: NA Pf: NA Ce: NA Lu: NA Cs: NA Snow Duration: NA Building Code: FBC 7th Ed. 2020 Res. TPI Std: 2014 Rep Fac: Yes FT/RT:20(0)/10(0) Plate Type(s): WAVE	Defl/CSI Criteria PP Deflection in loc L/def L/# VERT(LL): 0.038 L 999 240 VERT(CL): 0.078 L 999 180 HORZ(LL): 0.020 M - - HORZ(TL): 0.040 M - - Creep Factor: 2.0 Max TC CSI: 0.540 Max BC CSI: 0.511 Max Web CSI: 0.121 VIEW Ver: 21.01.01A.0521.20	▲ Maximum Reactions (lbs), or *=PLF Gravity Non-Gravity Loc R+ / R- / Rh / Rw / U / RL Y 279 /- /- /154 /66 /174 B* 113 /- /- /66 /- /- R 652 /- /- /407 /87 /- Wind reactions based on MWFRS Y Brg Wid = 4.0 Min Req = 1.5 B Brg Wid = 136 Min Req = - R Brg Wid = 4.0 Min Req = 1.5 Bearings Y, B, & R are a rigid surface. Members not listed have forces less than 375# Maximum Top Chord Forces Per Ply (lbs) Chords Tens.Comp. Chords Tens. Comp.
--	---	--	--	--

Lumber
Top chord: 2x4 SP #2;
Bot chord: 2x4 SP #2;
Webs: 2x4 SP #3;
Stack Chord: SC1 2x4 SP #2;

Laterally brace top chord below filler and bottom chord above filler at 24" o.c., including a lateral brace at chord ends (if no rigid diaphragm exists at that point).

I - P	473	-715	Q - R	379	-942
P - Q	395	-711			

Maximum Bot Chord Forces Per Ply (lbs)

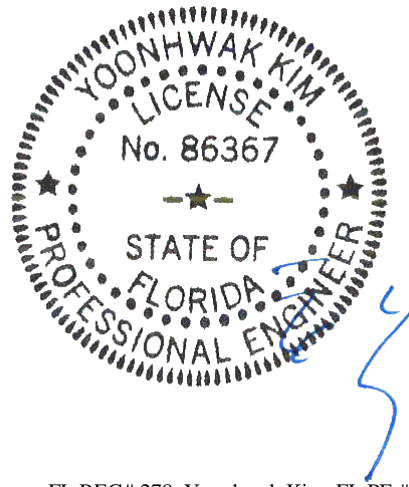
Chords	Tens.Comp.	Chords	Tens. Comp.
I - S	766	-224	S - R 766 -224

Plating Notes
All plates are 2X4 except as noted.

Loading
Gable end supports 8" max rake overhang. Top chord must not be cut or notched.

Wind
Wind loads based on MWFRS with additional C&C member design.
Wind loading based on both gable and hip roof types.

Additional Notes
See DWGS A14015ENC160118 & GBLLETIN0118 for gable wind bracing and other requirements.
Stacked top chord must NOT be notched or cut in area (NNL). Dropped top chord braced at 24" oc intervals. Attach stacked top chord (SC) to dropped top chord in notchable area using 3x4 tie-plates 24" oc. Center plate on stacked/dropped chord interface, plate length perpendicular to chord length. Splice top chord in notchable area using 3x6.
The overall height of this truss excluding overhang is 6-6-4.

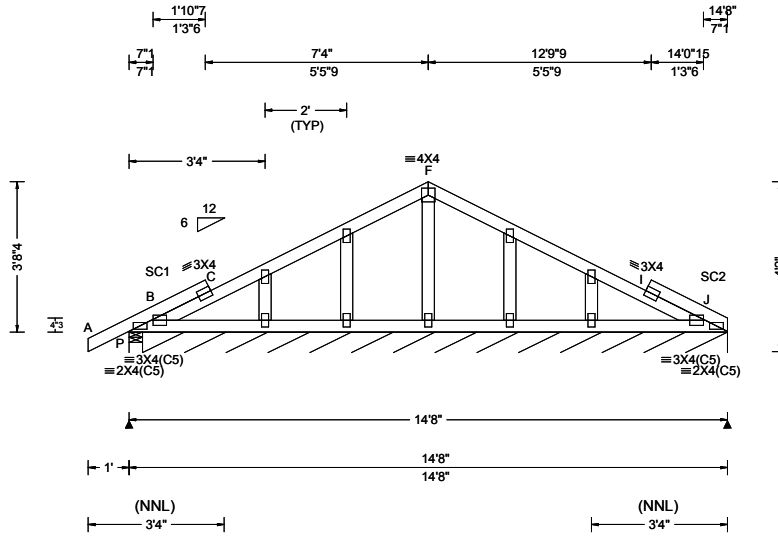


FL REG# 278, Yoonhwak Kim, FL PE #86367
02/28/2022

****WARNING** READ AND FOLLOW ALL NOTES ON THIS DRAWING!**
****IMPORTANT** FURNISH THIS DRAWING TO ALL CONTRACTORS INCLUDING THE INSTALLERS**
Trusses require extreme care in fabricating, handling, shipping, installing and bracing. Refer to and follow the latest edition of BCSI (Building Component Safety Information, by TPI and SBCA) for safety practices prior to performing these functions. Installers shall provide temporary bracing per BCSI. Unless noted otherwise, top chord shall have properly attached structural sheathing and bottom chord shall have a properly attached rigid ceiling. Locations shown for permanent lateral restraint of webs shall have bracing installed per BCSI sections B3, B7, or B10, as applicable. Apply plates to each face of truss and position as shown above and on the Joint Details, unless noted otherwise. Refer to drawings 160A-Z for standard plate positions. Refer to job's General Notes page for additional information.
Alpine, a division of ITW Building Components Group Inc. shall not be responsible for any deviation from this drawing, any failure to build the truss in conformance with ANSI/TPI 1, or for handling, shipping, installation and bracing of trusses. A seal on this drawing or cover page listing this drawing, indicates acceptance of professional engineering responsibility solely for the design shown. The suitability and use of this drawing for any structure is the responsibility of the Building Designer per ANSI/TPI 1 Sec.2.
For more information see these web sites: Alpine: alpineitw.com; TPI: tpinst.org; SBCA: sbccomponents.com; ICC: iccsafe.org; AWC: awc.org



SEQN: 648210 FROM: CDM	GABL Ply: 1 Qty: 1	Job Number: 22-6963 Vercher Truss Label: B01	Cust: R215 JRef: 1Xdd2150003 T32 DrwNo: 059.22.0938.05393 SSB / YK 02/28/2022
---------------------------	--------------------------	--	---



Loading Criteria (psf) TCCL: 20.00 TCDL: 10.00 BCCL: 0.00 BCDL: 10.00 Des Ld: 40.00 NCBCLL: 10.00 Soffit: 2.00 Load Duration: 1.25 Spacing: 24.0 "	Wind Criteria Wind Std: ASCE 7-16 Speed: 130 mph Enclosure: Closed Risk Category: II EXP: C Kzt: NA Mean Height: 15.00 ft TCCL: 5.0 psf BCDL: 5.0 psf MWFRS Parallel Dist: 0 to h/2 C&C Dist a: 3.00 ft Loc. from endwall: Any GCpi: 0.18 Wind Duration: 1.60	Snow Criteria (Pg,Pf in PSF) Pg: NA Ct: NA CAT: NA Pf: NA Ce: NA Lu: NA Cs: NA Snow Duration: NA Building Code: FBC 7th Ed. 2020 Res. TPI Std: 2014 Rep Fac: Yes FT/RT:20(0)/10(0) Plate Type(s): WAVE	Defl/CSI Criteria PP Deflection in loc L/def L/# VERT(LL): 0.004 999 240 VERT(CL): 0.008 999 180 HORZ(LL): -0.002 - - HORZ(TL): 0.003 - - Creep Factor: 2.0 Max TC CSI: 0.111 Max BC CSI: 0.055 Max Web CSI: 0.036 VIEW Ver: 21.01.01A.0521.20	▲ Maximum Reactions (lbs), or *=PLF <table border="1"> <thead> <tr> <th rowspan="2">Loc</th> <th colspan="3">Gravity</th> <th colspan="3">Non-Gravity</th> </tr> <tr> <th>R+</th> <th>/R-</th> <th>/Rh</th> <th>/Rw</th> <th>/U</th> <th>/RL</th> </tr> </thead> <tbody> <tr> <td>P</td> <td>209</td> <td>-</td> <td>-</td> <td>/147</td> <td>/35</td> <td>/39</td> </tr> <tr> <td>J*</td> <td>74</td> <td>-</td> <td>-</td> <td>/40</td> <td>-</td> <td>-</td> </tr> </tbody> </table> Wind reactions based on MWFRS P Brg Wid = 4.0 Min Req = 1.5 J Brg Wid = 172 Min Req = - Bearings P & B are a rigid surface. Members not listed have forces less than 375#	Loc	Gravity			Non-Gravity			R+	/R-	/Rh	/Rw	/U	/RL	P	209	-	-	/147	/35	/39	J*	74	-	-	/40	-	-
Loc	Gravity			Non-Gravity																											
	R+	/R-	/Rh	/Rw	/U	/RL																									
P	209	-	-	/147	/35	/39																									
J*	74	-	-	/40	-	-																									

Lumber

Top chord: 2x4 SP #2;
 Bot chord: 2x4 SP #2;
 Webs: 2x4 SP #3;
 Stack Chord: SC1 2x4 SP #2;
 Stack Chord: SC2 2x4 SP #2;

Plating Notes

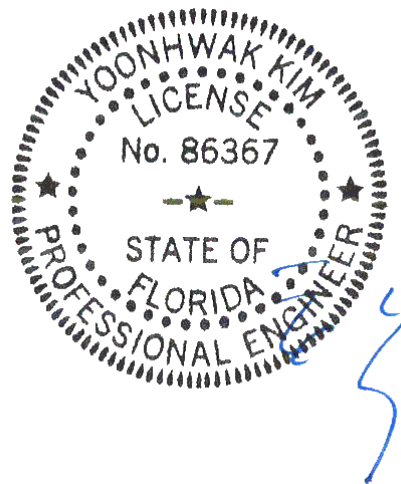
All plates are 2X4 except as noted.

Wind

Wind loads based on MWFRS with additional C&C member design.
 Wind loading based on both gable and hip roof types.

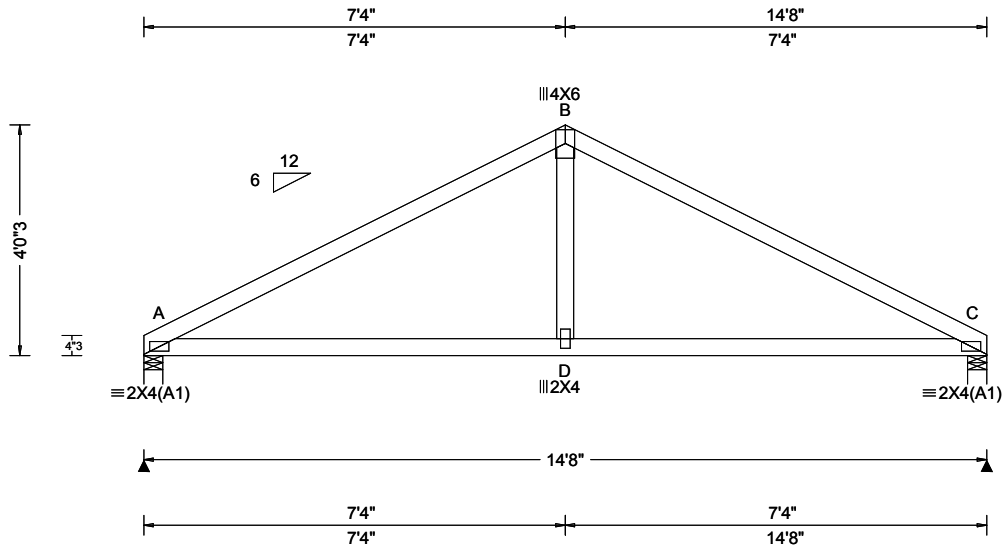
Additional Notes

See DWGS A14015ENC160118 & GBLLETIN0118 for gable wind bracing and other requirements.
 Stacked top chord must NOT be notched or cut in area (NNL). Dropped top chord braced at 24" oc intervals. Attach stacked top chord (SC) to dropped top chord in notchable area using 3x4 tie-plates 24" oc. Center plate on stacked/dropped chord interface, plate length perpendicular to chord length. Splice top chord in notchable area using 3x6.
 The overall height of this truss excluding overhang is 3-8-4.



FL REG# 278, Yoonhwak Kim, FL PE #86367
 02/28/2022

<p>**WARNING** READ AND FOLLOW ALL NOTES ON THIS DRAWING! **IMPORTANT** FURNISH THIS DRAWING TO ALL CONTRACTORS INCLUDING THE INSTALLERS Trusses require extreme care in fabricating, handling, shipping, installing and bracing. Refer to and follow the latest edition of BCSI (Building Component Safety Information, by TPI and SBCA) for safety practices prior to performing these functions. Installers shall provide temporary bracing per BCSI. Unless noted otherwise, top chord shall have properly attached structural sheathing and bottom chord shall have a properly attached rigid ceiling. Locations shown for permanent lateral restraint of webs shall have bracing installed per BCSI sections B3, B7, or B10, as applicable. Apply plates to each face of truss and position as shown above and on the Joint Details, unless noted otherwise. Refer to drawings 160A-Z for standard plate positions. Refer to job's General Notes page for additional information. Alpine, a division of ITW Building Components Group Inc. shall not be responsible for any deviation from this drawing, any failure to build the truss in conformance with ANSI/TPI 1, or for handling, shipping, installation and bracing of trusses. A seal on this drawing or cover page listing this drawing, indicates acceptance of professional engineering responsibility solely for the design shown. The suitability and use of this drawing for any structure is the responsibility of the Building Designer per ANSI/TPI 1 Sec.2. For more information see these web sites: Alpine: alpineitw.com; TPI: tpinst.org; SBCA: sbccomponents.com; ICC: iccsafe.org; AWC: awc.org</p>	 6750 Forum Drive Suite 305 Orlando FL, 32821
--	--



Loading Criteria (psf)	Wind Criteria	Snow Criteria (Pg,Pf in PSF)	Defl/CSI Criteria	▲ Maximum Reactions (lbs)						
				Gravity			Non-Gravity			
TCLL: 20.00	Wind Std: ASCE 7-16	Pg: NA Ct: NA CAT: NA	PP Deflection in loc L/def L/#	Loc	R+	/R-	/Rh	/Rw	/U	/RL
TCDL: 10.00	Speed: 130 mph	Pf: NA Ce: NA	VERT(LL): 0.014 A 999 240	A	604	/-	/-	/348	/102	/94
BCLL: 0.00	Enclosure: Closed	Lu: NA Cs: NA	VERT(CL): 0.029 A 999 180	C	604	/-	/-	/348	/102	/-
BCDL: 10.00	Risk Category: II	Snow Duration: NA	HORZ(LL): 0.009 A - -	Wind reactions based on MWFRS						
Des Ld: 40.00	EXP: C Kzt: NA	Building Code:	HORZ(TL): 0.018 A - -	A Brg Wid = 4.0 Min Req = 1.5						
NCBCLL: 10.00	Mean Height: 15.00 ft	FBC 7th Ed. 2020 Res.	Creep Factor: 2.0	C Brg Wid = 4.0 Min Req = 1.5						
Soffit: 2.00	TCDL: 5.0 psf	TPI Std: 2014	Max TC CSI: 0.572	Bearings A & C are a rigid surface.						
Load Duration: 1.25	BCDL: 5.0 psf	Rep Fac: Yes	Max BC CSI: 0.544	Members not listed have forces less than 375#						
Spacing: 24.0 "	MWFRS Parallel Dist: 0 to h/2	FT/RT:20(0)/10(0)	Max Web CSI: 0.127	Maximum Top Chord Forces Per Ply (lbs)						
	C&C Dist a: 3.00 ft	Plate Type(s):	VIEW Ver: 21.01.01A.0521.20	Chords	Tens.Comp.	Chords	Tens. Comp.			
	Loc. from endwall: Any	WAVE		A - B	488	-858	B - C	488	-858	
	GCp: 0.18			Maximum Bot Chord Forces Per Ply (lbs)						
	Wind Duration: 1.60			Chords	Tens.Comp.	Chords	Tens. Comp.			
				A - D	694	-307	D - C	694	-307	

Lumber

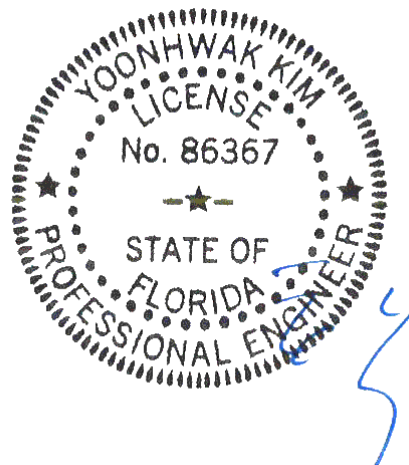
Top chord: 2x4 SP #2;
Bot chord: 2x4 SP #2;
Webs: 2x4 SP #3;

Wind

Wind loads based on MWFRS.
Wind loading based on both gable and hip roof types.

Additional Notes

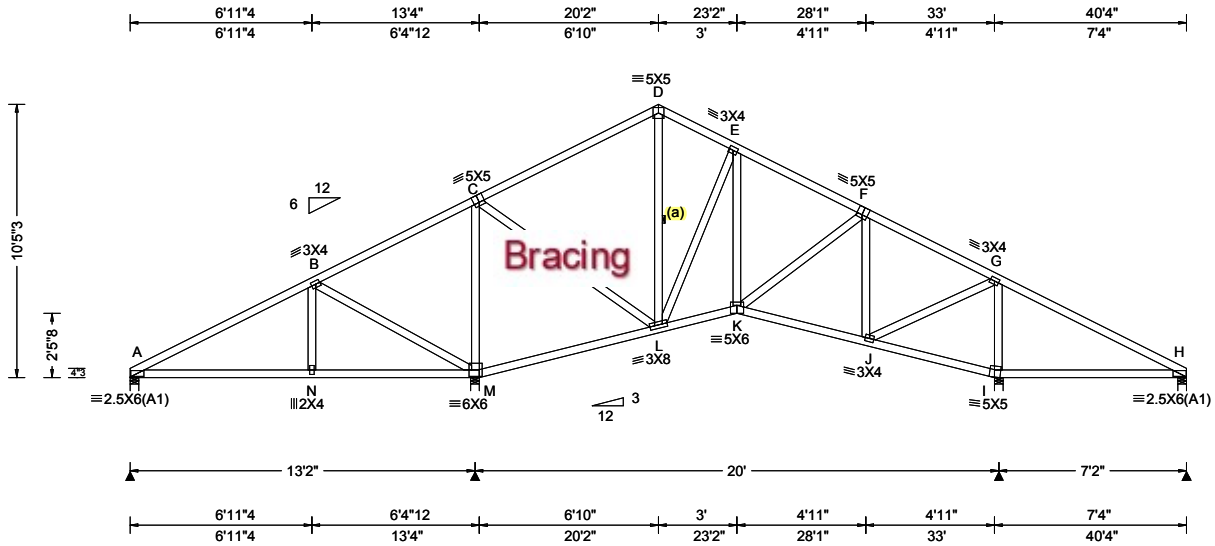
The overall height of this truss excluding overhang is 4-0-3.



FL REG# 278, Yoonhwak Kim, FL PE #86367
02/28/2022

****WARNING** READ AND FOLLOW ALL NOTES ON THIS DRAWING!**
****IMPORTANT** FURNISH THIS DRAWING TO ALL CONTRACTORS INCLUDING THE INSTALLERS**
Trusses require extreme care in fabricating, handling, shipping, installing and bracing. Refer to and follow the latest edition of BCSI (Building Component Safety Information, by TPI and SBCA) for safety practices prior to performing these functions. Installers shall provide temporary bracing per BCSI. Unless noted otherwise, top chord shall have properly attached structural sheathing and bottom chord shall have a properly attached rigid ceiling. Locations shown for permanent lateral restraint of webs shall have bracing installed per BCSI sections B3, B7, or B10, as applicable. Apply plates to each face of truss and position as shown above and on the Joint Details, unless noted otherwise. Refer to drawings 160A-Z for standard plate positions. Refer to job's General Notes page for additional information.
Alpine, a division of ITW Building Components Group Inc. shall not be responsible for any deviation from this drawing, any failure to build the truss in conformance with ANSI/TPI 1, or for handling, shipping, installation and bracing of trusses. A seal on this drawing or cover page listing this drawing, indicates acceptance of professional engineering responsibility solely for the design shown. The suitability and use of this drawing for any structure is the responsibility of the Building Designer per ANSI/TPI 1 Sec.2.
For more information see these web sites: Alpine: alpineitw.com; TPI: tpinst.org; SBCA: sbcacomponents.com; ICC: iccsafe.org; AWC: awc.org





Loading Criteria (psf) TCCL: 20.00 TCDL: 10.00 BCCL: 0.00 BCDL: 10.00 Des Ld: 40.00 NCBCLL: 10.00 Soffit: 2.00 Load Duration: 1.25 Spacing: 24.0 "	Wind Criteria Wind Std: ASCE 7-16 Speed: 130 mph Enclosure: Closed Risk Category: II EXP: C Kzt: NA Mean Height: 15.00 ft TCDL: 5.0 psf BCDL: 5.0 psf MWFRS Parallel Dist: h to 2h C&C Dist a: 4.03 ft Loc. from endwall: not in 13.00 ft GCp: 0.18 Wind Duration: 1.60	Snow Criteria (Pg,Pf in PSF) Pg: NA Ct: NA CAT: NA Pf: NA Ce: NA Lu: NA Cs: NA Snow Duration: NA Building Code: FBC 7th Ed. 2020 Res. TPI Std: 2014 Rep Fac: Yes FT/RT:20(0)/10(0) Plate Type(s): WAVE	Defl/CSI Criteria PP Deflection in loc L/def L/# VERT(LL): 0.020 K 999 240 VERT(CL): 0.040 H 999 180 HORZ(LL): 0.014 H - - HORZ(TL): 0.029 H - - Creep Factor: 2.0 Max TC CSI: 0.577 Max BC CSI: 0.478 Max Web CSI: 0.934 VIEW Ver: 21.01.01A.0521.20	▲ Maximum Reactions (lbs) <table border="1" style="width:100%; border-collapse: collapse;"> <thead> <tr> <th rowspan="2">Loc</th> <th colspan="3">Gravity</th> <th colspan="3">Non-Gravity</th> </tr> <tr> <th>R+</th> <th>/R-</th> <th>/Rh</th> <th>/Rw</th> <th>/U</th> <th>/RL</th> </tr> </thead> <tbody> <tr> <td>A</td> <td>438</td> <td>-</td> <td>-</td> <td>/239</td> <td>/11</td> <td>/272</td> </tr> <tr> <td>M</td> <td>1580</td> <td>-</td> <td>-</td> <td>/989</td> <td>/33</td> <td>-</td> </tr> <tr> <td>I</td> <td>1110</td> <td>-</td> <td>-</td> <td>/689</td> <td>/19</td> <td>-</td> </tr> <tr> <td>H</td> <td>318</td> <td>-</td> <td>-</td> <td>/192</td> <td>/35</td> <td>-</td> </tr> </tbody> </table> <p>Wind reactions based on MWFRS A Brg Wid = 4.0 Min Req = 1.5 M Brg Wid = 4.0 Min Req = 1.9 I Brg Wid = 4.0 Min Req = 1.5 H Brg Wid = 4.0 Min Req = 1.5 Bearings A, M, I, & H are a rigid surface. Members not listed have forces less than 375#</p> Maximum Top Chord Forces Per Ply (lbs) <table border="1" style="width:100%; border-collapse: collapse;"> <thead> <tr> <th>Chords</th> <th>Tens.Comp.</th> <th>Chords</th> <th>Tens. Comp.</th> </tr> </thead> <tbody> <tr> <td>A - B</td> <td>135 -508</td> <td>E - F</td> <td>231 -656</td> </tr> <tr> <td>C - D</td> <td>230 -478</td> <td>F - G</td> <td>216 -646</td> </tr> <tr> <td>D - E</td> <td>249 -407</td> <td></td> <td></td> </tr> </tbody> </table> Maximum Bot Chord Forces Per Ply (lbs) <table border="1" style="width:100%; border-collapse: collapse;"> <thead> <tr> <th>Chords</th> <th>Tens.Comp.</th> <th>Chords</th> <th>Tens. Comp.</th> </tr> </thead> <tbody> <tr> <td>A - N</td> <td>391 -178</td> <td>L - K</td> <td>539 0</td> </tr> <tr> <td>N - M</td> <td>387 -179</td> <td>K - J</td> <td>541 -5</td> </tr> </tbody> </table> Maximum Web Forces Per Ply (lbs) <table border="1" style="width:100%; border-collapse: collapse;"> <thead> <tr> <th>Webs</th> <th>Tens.Comp.</th> <th>Webs</th> <th>Tens. Comp.</th> </tr> </thead> <tbody> <tr> <td>B - M</td> <td>212 -665</td> <td>L - E</td> <td>152 -466</td> </tr> <tr> <td>C - M</td> <td>278 -1075</td> <td>J - G</td> <td>630 -20</td> </tr> <tr> <td>C - L</td> <td>670 -27</td> <td>I - G</td> <td>244 -940</td> </tr> </tbody> </table>	Loc	Gravity			Non-Gravity			R+	/R-	/Rh	/Rw	/U	/RL	A	438	-	-	/239	/11	/272	M	1580	-	-	/989	/33	-	I	1110	-	-	/689	/19	-	H	318	-	-	/192	/35	-	Chords	Tens.Comp.	Chords	Tens. Comp.	A - B	135 -508	E - F	231 -656	C - D	230 -478	F - G	216 -646	D - E	249 -407			Chords	Tens.Comp.	Chords	Tens. Comp.	A - N	391 -178	L - K	539 0	N - M	387 -179	K - J	541 -5	Webs	Tens.Comp.	Webs	Tens. Comp.	B - M	212 -665	L - E	152 -466	C - M	278 -1075	J - G	630 -20	C - L	670 -27	I - G	244 -940
Loc	Gravity			Non-Gravity																																																																																					
	R+	/R-	/Rh	/Rw	/U	/RL																																																																																			
A	438	-	-	/239	/11	/272																																																																																			
M	1580	-	-	/989	/33	-																																																																																			
I	1110	-	-	/689	/19	-																																																																																			
H	318	-	-	/192	/35	-																																																																																			
Chords	Tens.Comp.	Chords	Tens. Comp.																																																																																						
A - B	135 -508	E - F	231 -656																																																																																						
C - D	230 -478	F - G	216 -646																																																																																						
D - E	249 -407																																																																																								
Chords	Tens.Comp.	Chords	Tens. Comp.																																																																																						
A - N	391 -178	L - K	539 0																																																																																						
N - M	387 -179	K - J	541 -5																																																																																						
Webs	Tens.Comp.	Webs	Tens. Comp.																																																																																						
B - M	212 -665	L - E	152 -466																																																																																						
C - M	278 -1075	J - G	630 -20																																																																																						
C - L	670 -27	I - G	244 -940																																																																																						

Lumber

Top chord: 2x4 SP #2;
 Bot chord: 2x4 SP #2;
 Webs: 2x4 SP #3;

Bracing

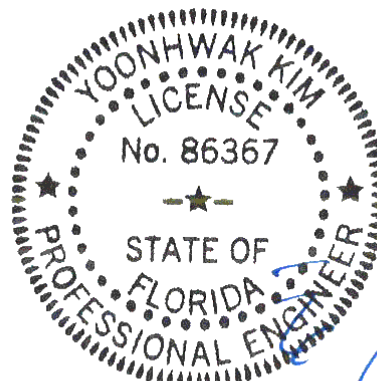
(a) Continuous lateral restraint equally spaced on member.

Wind

Wind loads based on MWFRS with additional C&C member design.
 Wind loading based on both gable and hip roof types.

Additional Notes

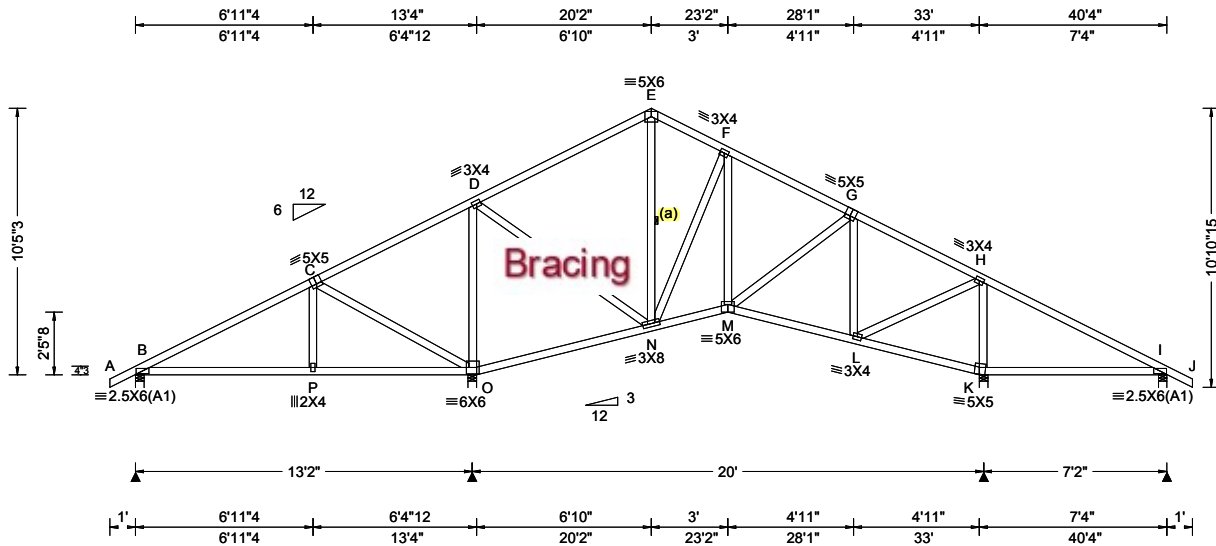
The overall height of this truss excluding overhang is 10-5-3.



FL REG# 278, Yoonhwak Kim, FL PE #86367
 02/28/2022

****WARNING** READ AND FOLLOW ALL NOTES ON THIS DRAWING!**
****IMPORTANT** FURNISH THIS DRAWING TO ALL CONTRACTORS INCLUDING THE INSTALLERS**
 Trusses require extreme care in fabricating, handling, shipping, installing and bracing. Refer to and follow the latest edition of BCSI (Building Component Safety Information, by TPI and SBCA) for safety practices prior to performing these functions. Installers shall provide temporary bracing per BCSI. Unless noted otherwise, top chord shall have properly attached structural sheathing and bottom chord shall have a properly attached rigid ceiling. Locations shown for permanent lateral restraint of webs shall have bracing installed per BCSI sections B3, B7, or B10, as applicable. Apply plates to each face of truss and position as shown above and on the Joint Details, unless noted otherwise. Refer to drawings 160A-Z for standard plate positions. Refer to job's General Notes page for additional information.
 Alpine, a division of ITW Building Components Group Inc. shall not be responsible for any deviation from this drawing, any failure to build the truss in conformance with ANSI/TPI 1, or for handling, shipping, installation and bracing of trusses. A seal on this drawing or cover page listing this drawing, indicates acceptance of professional engineering responsibility solely for the design shown. The suitability and use of this drawing for any structure is the responsibility of the Building Designer per ANSI/TPI 1 Sec.2.
 For more information see these web sites: Alpine: alpineitw.com; TPI: tpinst.org; SBCA: sbccomponents.com; ICC: iccsafe.org; AWC: awc.org





Loading Criteria (psf)

TCLL: 20.00
 TCDL: 10.00
 BCLL: 0.00
 BCDL: 10.00
 Des Ld: 40.00
 NCBCLL: 10.00
 Soffit: 2.00
 Load Duration: 1.25
 Spacing: 24.0 "

Wind Criteria

Wind Std: ASCE 7-16
 Speed: 130 mph
 Enclosure: Closed
 Risk Category: II
 EXP: C Kzt: NA
 Mean Height: 15.00 ft
 TCCL: 5.0 psf
 BCDL: 5.0 psf
 MWFRS Parallel Dist: h to 2h
 C&C Dist a: 4.03 ft
 Loc. from endwall: not in 13.00 ft
 GCp: 0.18
 Wind Duration: 1.60

Snow Criteria (Pg,Pf in PSF)

Pg: NA Ct: NA CAT: NA
 Pf: NA Ce: NA
 Lu: NA Cs: NA
 Snow Duration: NA

Building Code:
 FBC 7th Ed. 2020 Res.
 TPI Std: 2014
 Rep Fac: Yes
 FT/RT: 20(0)/10(0)
 Plate Type(s):
 WAVE

Defl/CSI Criteria

PP Deflection in loc L/def L/#
 VERT(LL): 0.020 M 999 240
 VERT(CL): 0.042 M 999 180
 HORZ(LL): 0.014 K - -
 HORZ(TL): 0.029 K - -
 Creep Factor: 2.0
 Max TC CSI: 0.550
 Max BC CSI: 0.404
 Max Web CSI: 0.938

VIEW Ver: 21.01.01A.0521.20

Maximum Reactions (lbs)

Loc	Gravity			Non-Gravity		
	R+	/R-	/Rh	/Rw	/U	/RL
B	505	-	-	/293	/21	/299
O	1579	-	-	/994	/27	-
K	1116	-	-	/691	/17	-
I	381	-	-	/250	/46	-

Wind reactions based on MWFRS
 B Brg Wid = 4.0 Min Req = 1.5
 O Brg Wid = 4.0 Min Req = 1.9
 K Brg Wid = 4.0 Min Req = 1.5
 I Brg Wid = 4.0 Min Req = 1.5

Bearings B, O, K, & I are a rigid surface.
 Members not listed have forces less than 375#

Lumber
 Top chord: 2x4 SP #2;
 Bot chord: 2x4 SP #2;
 Webs: 2x4 SP #3;

Bracing
 (a) Continuous lateral restraint equally spaced on member.

Wind
 Wind loads based on MWFRS with additional C&C member design.
 Wind loading based on both gable and hip roof types.

Additional Notes
 The overall height of this truss excluding overhang is 10'-5-3/8".

Maximum Top Chord Forces Per Ply (lbs)

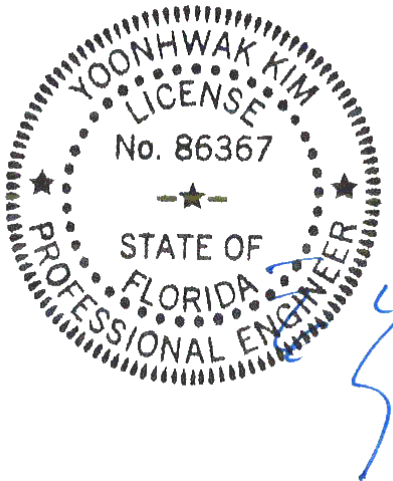
Chords	Tens.Comp.	Chords	Tens. Comp.
B - C	123 -491	F - G	227 -649
D - E	229 -474	G - H	211 -634
E - F	251 -403		

Maximum Bot Chord Forces Per Ply (lbs)

Chords	Tens.Comp.	Chords	Tens. Comp.
B - P	380 -184	N - M	532 0
P - O	377 -185	M - L	531 0

Maximum Web Forces Per Ply (lbs)

Webs	Tens.Comp.	Webs	Tens. Comp.
C - O	192 -651	N - F	146 -460
D - O	263 -1079	L - H	633 -18
D - N	667 -20	K - H	237 -945



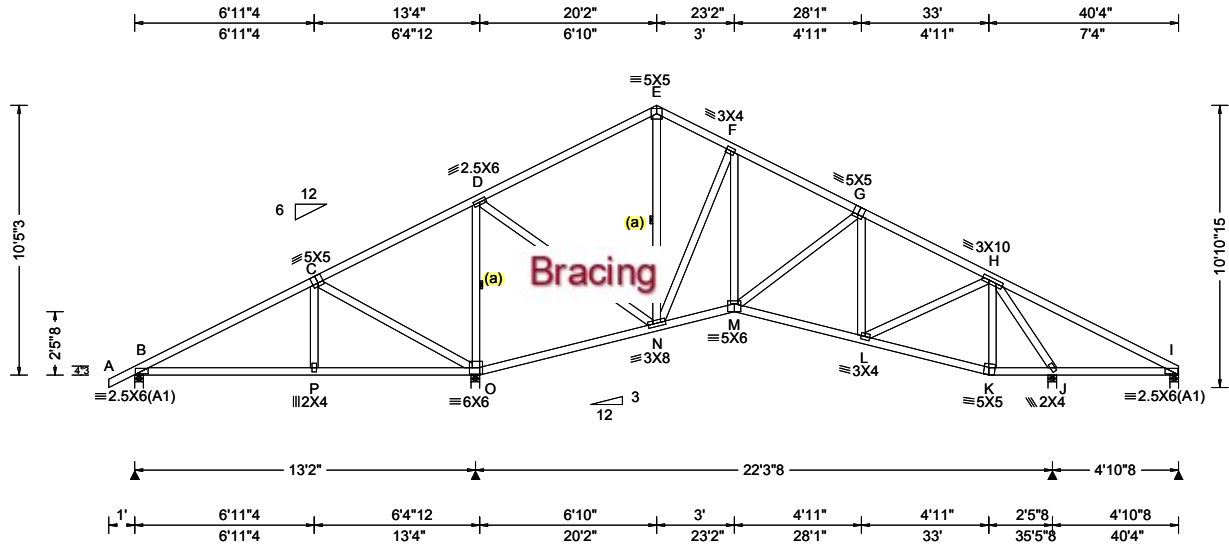
FL REG# 278, Yoonhwak Kim, FL PE #86367
 02/28/2022

****WARNING** READ AND FOLLOW ALL NOTES ON THIS DRAWING!**
****IMPORTANT** FURNISH THIS DRAWING TO ALL CONTRACTORS INCLUDING THE INSTALLERS**
 Trusses require extreme care in fabricating, handling, shipping, installing and bracing. Refer to and follow the latest edition of BCSI (Building Component Safety Information, by TPI and SBCA) for safety practices prior to performing these functions. Installers shall provide temporary bracing per BCSI. Unless noted otherwise, top chord shall have properly attached structural sheathing and bottom chord shall have a properly attached rigid ceiling. Locations shown for permanent lateral restraint of webs shall have bracing installed per BCSI sections B3, B7, or B10, as applicable. Apply plates to each face of truss and position as shown above and on the Joint Details, unless noted otherwise. Refer to drawings 160A-Z for standard plate positions. Refer to job's General Notes page for additional information.

Alpine, a division of ITW Building Components Group Inc. shall not be responsible for any deviation from this drawing, any failure to build the truss in conformance with ANSI/TPI 1, or for handling, shipping, installation and bracing of trusses. A seal on this drawing or cover page listing this drawing, indicates acceptance of professional engineering responsibility solely for the design shown. The suitability and use of this drawing for any structure is the responsibility of the Building Designer per ANSI/TPI 1 Sec.2.

For more information see these web sites: Alpine: alpineitw.com; TPI: tpinst.org; SBCA: sbccomponents.com; ICC: iccsafe.org; AWC: awc.org





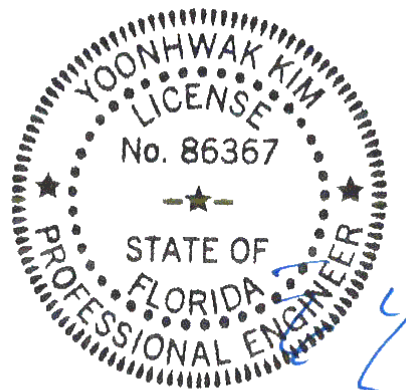
Loading Criteria (psf) TCLL: 20.00 TCDL: 10.00 BCLL: 0.00 BCDL: 10.00 Des Ld: 40.00 NCBCLL: 10.00 Soffit: 2.00 Load Duration: 1.25 Spacing: 24.0 "	Wind Criteria Wind Std: ASCE 7-16 Speed: 130 mph Enclosure: Closed Risk Category: II EXP: C Kzt: NA Mean Height: 15.00 ft TCDL: 5.0 psf BCDL: 5.0 psf MWFRS Parallel Dist: > 2h C&C Dist a: 4.03 ft Loc. from endwall: not in 13.00 ft GCp: 0.18 Wind Duration: 1.60	Snow Criteria (Pg,Pf in PSF) Pg: NA Ct: NA CAT: NA Pf: NA Ce: NA Lu: NA Cs: NA Snow Duration: NA Building Code: FBC 7th Ed. 2020 Res. TPI Std: 2014 Rep Fac: Yes FT/RT:20(0)/10(0) Plate Type(s): WAVE	Defl/CSI Criteria PP Deflection in loc L/def L/# VERT(LL): 0.029 M 999 240 VERT(CL): 0.060 M 999 180 HORZ(LL): 0.018 J - - HORZ(TL): 0.037 J - - Creep Factor: 2.0 Max TC CSI: 0.560 Max BC CSI: 0.461 Max Web CSI: 0.686 VIEW Ver: 21.01.01A.0521.20	▲ Maximum Reactions (lbs) Gravity Loc R+ / R- / Rh / Rw / U / RL Non-Gravity B 483 /- /- /276 /19 /289 O 1749 /- /- /1060 /24 /- J 1106 /- /- /701 /8 /- I 211 /-13 /- /105 /42 /- Wind reactions based on MWFRS B Brg Wid = 4.0 Min Req = 1.5 O Brg Wid = 4.0 Min Req = 2.1 J Brg Wid = 4.0 Min Req = 1.5 I Brg Wid = 4.0 Min Req = 1.5 Bearings B, O, J, & I are a rigid surface. Members not listed have forces less than 375# Maximum Top Chord Forces Per Ply (lbs) Chords Tens.Comp. Chords Tens. Comp. B - C 92 -443 E - F 255 -438 C - D 456 -38 F - G 254 -766 D - E 234 -510 G - H 272 -936 Maximum Bot Chord Forces Per Ply (lbs) Chords Tens.Comp. Chords Tens. Comp. N - M 635 0 L - K 467 -92 M - L 800 -59 K - J 444 -88 Maximum Web Forces Per Ply (lbs) Webs Tens.Comp. Webs Tens. Comp. C - O 192 -652 F - M 511 -51 D - O 312 -1226 L - H 389 0 D - N 818 -61 H - J 218 -1099 N - F 189 -637
--	--	--	--	--

Lumber
Top chord: 2x4 SP #2;
Bot chord: 2x4 SP #2;
Webs: 2x4 SP #3;

Bracing
(a) Continuous lateral restraint equally spaced on member.

Wind
Wind loads based on MWFRS with additional C&C member design.
Wind loading based on both gable and hip roof types.

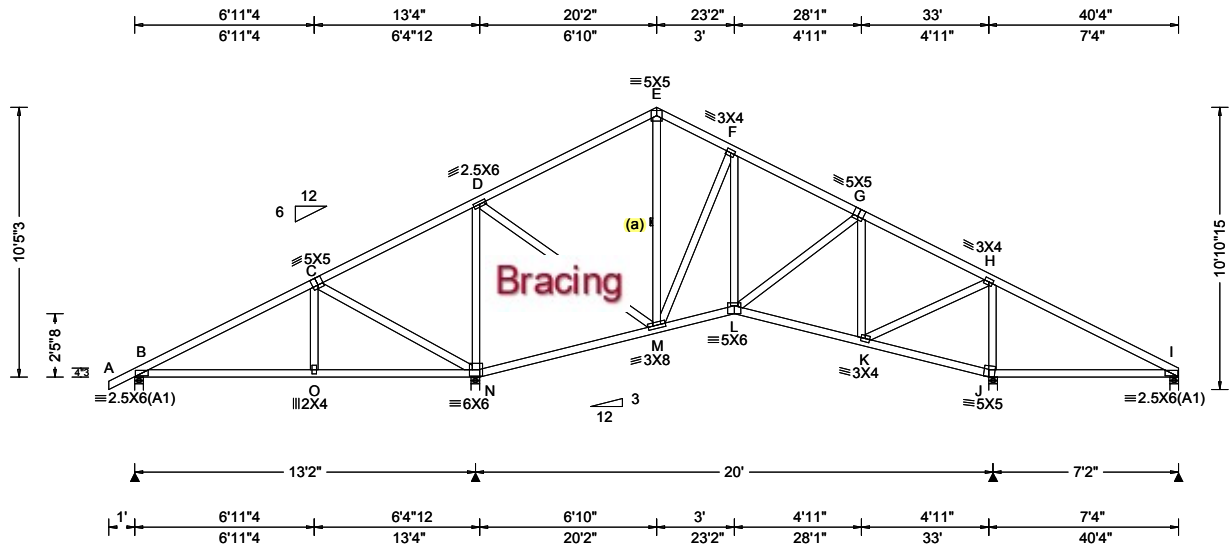
Additional Notes
The overall height of this truss excluding overhang is 10'-5-3/8".



FL REG# 278, Yoonhwak Kim, FL PE #86367
02/28/2022

****WARNING** READ AND FOLLOW ALL NOTES ON THIS DRAWING!**
****IMPORTANT** FURNISH THIS DRAWING TO ALL CONTRACTORS INCLUDING THE INSTALLERS**
Trusses require extreme care in fabricating, handling, shipping, installing and bracing. Refer to and follow the latest edition of BCSI (Building Component Safety Information, by TPI and SBCA) for safety practices prior to performing these functions. Installers shall provide temporary bracing per BCSI. Unless noted otherwise, top chord shall have properly attached structural sheathing and bottom chord shall have a properly attached rigid ceiling. Locations shown for permanent lateral restraint of webs shall have bracing installed per BCSI sections B3, B7, or B10, as applicable. Apply plates to each face of truss and position as shown above and on the Joint Details, unless noted otherwise. Refer to drawings 160A-Z for standard plate positions. Refer to job's General Notes page for additional information.
Alpine, a division of ITW Building Components Group Inc. shall not be responsible for any deviation from this drawing, any failure to build the truss in conformance with ANSI/TPI 1, or for handling, shipping, installation and bracing of trusses. A seal on this drawing or cover page listing this drawing, indicates acceptance of professional engineering responsibility solely for the design shown. The suitability and use of this drawing for any structure is the responsibility of the Building Designer per ANSI/TPI 1 Sec.2.
For more information see these web sites: Alpine: alpineitw.com; TPI: tpinst.org; SBCA: sbccomponents.com; ICC: iccsafe.org; AWC: awc.org





Loading Criteria (psf) TCLL: 20.00 TCDL: 10.00 BCLL: 0.00 BCDL: 10.00 Des Ld: 40.00 NCBCLL: 10.00 Soffit: 2.00 Load Duration: 1.25 Spacing: 24.0 "	Wind Criteria Wind Std: ASCE 7-16 Speed: 130 mph Enclosure: Closed Risk Category: II EXP: C Kzt: NA Mean Height: 15.00 ft TCDL: 5.0 psf BCDL: 5.0 psf MWFRS Parallel Dist: h to 2h C&C Dist a: 4.03 ft Loc. from endwall: not in 13.00 ft GCp: 0.18 Wind Duration: 1.60	Snow Criteria (Pg,Pf in PSF) Pg: NA Ct: NA CAT: NA Pf: NA Ce: NA Lu: NA Cs: NA Snow Duration: NA Building Code: FBC 7th Ed. 2020 Res. TPI Std: 2014 Rep Fac: Yes FT/RT:20(0)/10(0) Plate Type(s): WAVE	Defl/CSI Criteria PP Deflection in loc L/def L/# VERT(LL): 0.020 L 999 240 VERT(CL): 0.040 I 999 180 HORZ(LL): 0.014 I - - HORZ(TL): 0.029 I - - Creep Factor: 2.0 Max TC CSI: 0.577 Max BC CSI: 0.412 Max Web CSI: 0.941 VIEW Ver: 21.01.01A.0521.20	▲ Maximum Reactions (lbs) Gravity Non-Gravity Loc R+ / R- / Rh / Rw / U / RL B 505 /- /- /295 /16 /289 N 1582 /- /- /991 /33 /- J 1109 /- /- /689 /18 /- I 318 /- /- /192 /35 /- Wind reactions based on MWFRS B Brg Wid = 4.0 Min Req = 1.5 N Brg Wid = 4.0 Min Req = 1.9 J Brg Wid = 4.0 Min Req = 1.5 I Brg Wid = 4.0 Min Req = 1.5 Bearings B, N, J, & I are a rigid surface. Members not listed have forces less than 375# Maximum Top Chord Forces Per Ply (lbs) Chords Tens.Comp. Chords Tens. Comp. B - C 111 -491 F - G 230 -655 D - E 227 -477 G - H 215 -645 E - F 248 -406 Maximum Bot Chord Forces Per Ply (lbs) Chords Tens.Comp. Chords Tens. Comp. B - O 375 -176 L - K 540 -4 M - L 537 0 Maximum Web Forces Per Ply (lbs) Webs Tens.Comp. Webs Tens. Comp. C - N 192 -651 M - F 153 -467 D - N 281 -1083 K - H 628 -19 D - M 671 -29 J - H 243 -939
--	---	--	--	--

Lumber

Top chord: 2x4 SP #2;
Bot chord: 2x4 SP #2;
Webs: 2x4 SP #3;

Bracing

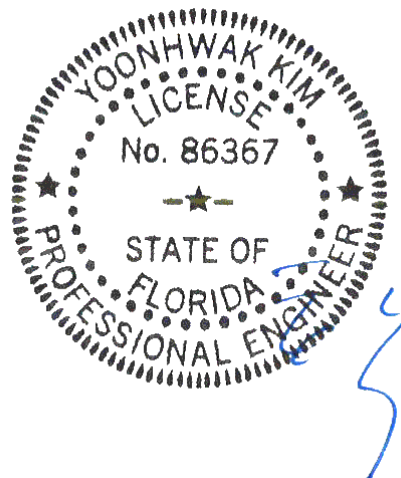
(a) Continuous lateral restraint equally spaced on member.

Wind

Wind loads based on MWFRS with additional C&C member design.
Wind loading based on both gable and hip roof types.

Additional Notes

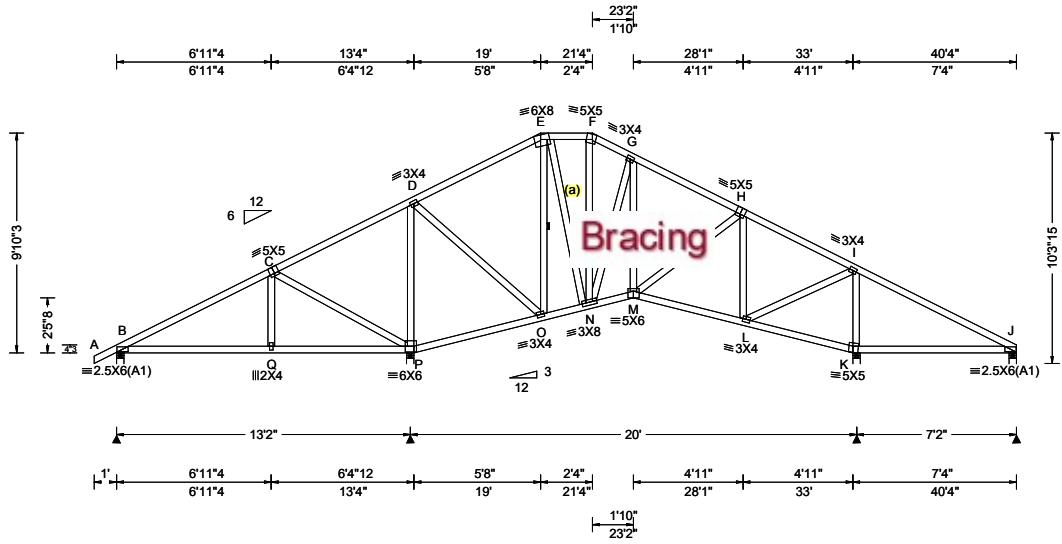
The overall height of this truss excluding overhang is 10'-5-3/8".



FL REG# 278, Yoonhwak Kim, FL PE #86367
02/28/2022

****WARNING** READ AND FOLLOW ALL NOTES ON THIS DRAWING!**
****IMPORTANT** FURNISH THIS DRAWING TO ALL CONTRACTORS INCLUDING THE INSTALLERS**
Trusses require extreme care in fabricating, handling, shipping, installing and bracing. Refer to and follow the latest edition of BCSI (Building Component Safety Information, by TPI and SBCA) for safety practices prior to performing these functions. Installers shall provide temporary bracing per BCSI. Unless noted otherwise, top chord shall have properly attached structural sheathing and bottom chord shall have a properly attached rigid ceiling. Locations shown for permanent lateral restraint of webs shall have bracing installed per BCSI sections B3, B7, or B10, as applicable. Apply plates to each face of truss and position as shown above and on the Joint Details, unless noted otherwise. Refer to drawings 160A-Z for standard plate positions. Refer to job's General Notes page for additional information.
Alpine, a division of ITW Building Components Group Inc. shall not be responsible for any deviation from this drawing, any failure to build the truss in conformance with ANSI/TPI 1, or for handling, shipping, installation and bracing of trusses. A seal on this drawing or cover page listing this drawing, indicates acceptance of professional engineering responsibility solely for the design shown. The suitability and use of this drawing for any structure is the responsibility of the Building Designer per ANSI/TPI 1 Sec.2.
For more information see these web sites: Alpine: alpineitw.com; TPI: tpinst.org; SBCA: sbccomponents.com; ICC: iccsafe.org; AWC: awc.org





Loading Criteria (psf) TCCL: 20.00 TC DL: 10.00 BC LL: 0.00 BC DL: 10.00 Des Ld: 40.00 NCBC LL: 10.00 Soffit: 2.00 Load Duration: 1.25 Spacing: 24.0 "	Wind Criteria Wind Std: ASCE 7-16 Speed: 130 mph Enclosure: Closed Risk Category: II EXP: C Kzt: NA Mean Height: 15.00 ft TC DL: 5.0 psf BC DL: 5.0 psf MWFRS Parallel Dist: h to 2h C&C Dist a: 4.03 ft Loc. from endwall: not in 13.00 ft GCp: 0.18 Wind Duration: 1.60	Snow Criteria (Pg,Pf in PSF) Pg: NA Ct: NA CAT: NA Pf: NA Ce: NA Lu: NA Cs: NA Snow Duration: NA Building Code: FBC 7th Ed. 2020 Res. TPI Std: 2014 Rep Fac: Yes FT/RT: 20(0)/10(0) Plate Type(s): WAVE	Defl/CSI Criteria PP Deflection in loc L/def L/# VERT(LL): 0.023 M 999 240 VERT(CL): 0.048 M 999 180 HORZ(LL): 0.016 K - - HORZ(TL): 0.033 K - - Creep Factor: 2.0 Max TC CSI: 0.573 Max BC CSI: 0.423 Max Web CSI: 0.927 VIEW Ver: 21.01.01A.0521.20	▲ Maximum Reactions (lbs) <table border="1" style="width:100%; border-collapse: collapse;"> <thead> <tr> <th rowspan="2">Loc</th> <th colspan="3">Gravity</th> <th colspan="3">Non-Gravity</th> </tr> <tr> <th>R+</th> <th>/R-</th> <th>/Rh</th> <th>/Rw</th> <th>/U</th> <th>/RL</th> </tr> </thead> <tbody> <tr> <td>B</td> <td>512</td> <td>-</td> <td>-</td> <td>/302</td> <td>/15</td> <td>/273</td> </tr> <tr> <td>P</td> <td>1556</td> <td>-</td> <td>-</td> <td>/979</td> <td>/44</td> <td>-</td> </tr> <tr> <td>K</td> <td>1142</td> <td>-</td> <td>-</td> <td>/709</td> <td>/23</td> <td>-</td> </tr> <tr> <td>J</td> <td>308</td> <td>-</td> <td>-</td> <td>/184</td> <td>/38</td> <td>-</td> </tr> </tbody> </table> <p>Wind reactions based on MWFRS B Brg Wid = 4.0 Min Req = 1.5 P Brg Wid = 4.0 Min Req = 1.8 K Brg Wid = 4.0 Min Req = 1.5 J Brg Wid = 4.0 Min Req = 1.5 Bearings B, P, K, & J are a rigid surface. Members not listed have forces less than 375#</p> Maximum Top Chord Forces Per Ply (lbs) <table border="1" style="width:100%; border-collapse: collapse;"> <thead> <tr> <th>Chords</th> <th>Tens.</th> <th>Comp.</th> <th>Chords</th> <th>Tens.</th> <th>Comp.</th> </tr> </thead> <tbody> <tr> <td>B - C</td> <td>113</td> <td>-507</td> <td>F - G</td> <td>295</td> <td>-477</td> </tr> <tr> <td>D - E</td> <td>240</td> <td>-418</td> <td>G - H</td> <td>251</td> <td>-658</td> </tr> <tr> <td>E - F</td> <td>268</td> <td>-384</td> <td>H - I</td> <td>225</td> <td>-630</td> </tr> </tbody> </table> Maximum Bot Chord Forces Per Ply (lbs) <table border="1" style="width:100%; border-collapse: collapse;"> <thead> <tr> <th>Chords</th> <th>Tens.</th> <th>Comp.</th> <th>Chords</th> <th>Tens.</th> <th>Comp.</th> </tr> </thead> <tbody> <tr> <td>B - Q</td> <td>383</td> <td>-158</td> <td>N - M</td> <td>547</td> <td>0</td> </tr> <tr> <td>Q - P</td> <td>379</td> <td>-159</td> <td>M - L</td> <td>526</td> <td>-10</td> </tr> </tbody> </table> Maximum Web Forces Per Ply (lbs) <table border="1" style="width:100%; border-collapse: collapse;"> <thead> <tr> <th>Webs</th> <th>Tens.</th> <th>Comp.</th> <th>Webs</th> <th>Tens.</th> <th>Comp.</th> </tr> </thead> <tbody> <tr> <td>C - P</td> <td>197</td> <td>-656</td> <td>N - G</td> <td>181</td> <td>-528</td> </tr> <tr> <td>D - P</td> <td>309</td> <td>-1066</td> <td>L - I</td> <td>652</td> <td>-47</td> </tr> <tr> <td>D - O</td> <td>660</td> <td>-67</td> <td>K - I</td> <td>268</td> <td>-962</td> </tr> <tr> <td>E - O</td> <td>107</td> <td>-462</td> <td></td> <td></td> <td></td> </tr> </tbody> </table>	Loc	Gravity			Non-Gravity			R+	/R-	/Rh	/Rw	/U	/RL	B	512	-	-	/302	/15	/273	P	1556	-	-	/979	/44	-	K	1142	-	-	/709	/23	-	J	308	-	-	/184	/38	-	Chords	Tens.	Comp.	Chords	Tens.	Comp.	B - C	113	-507	F - G	295	-477	D - E	240	-418	G - H	251	-658	E - F	268	-384	H - I	225	-630	Chords	Tens.	Comp.	Chords	Tens.	Comp.	B - Q	383	-158	N - M	547	0	Q - P	379	-159	M - L	526	-10	Webs	Tens.	Comp.	Webs	Tens.	Comp.	C - P	197	-656	N - G	181	-528	D - P	309	-1066	L - I	652	-47	D - O	660	-67	K - I	268	-962	E - O	107	-462			
Loc	Gravity			Non-Gravity																																																																																																																	
	R+	/R-	/Rh	/Rw	/U	/RL																																																																																																															
B	512	-	-	/302	/15	/273																																																																																																															
P	1556	-	-	/979	/44	-																																																																																																															
K	1142	-	-	/709	/23	-																																																																																																															
J	308	-	-	/184	/38	-																																																																																																															
Chords	Tens.	Comp.	Chords	Tens.	Comp.																																																																																																																
B - C	113	-507	F - G	295	-477																																																																																																																
D - E	240	-418	G - H	251	-658																																																																																																																
E - F	268	-384	H - I	225	-630																																																																																																																
Chords	Tens.	Comp.	Chords	Tens.	Comp.																																																																																																																
B - Q	383	-158	N - M	547	0																																																																																																																
Q - P	379	-159	M - L	526	-10																																																																																																																
Webs	Tens.	Comp.	Webs	Tens.	Comp.																																																																																																																
C - P	197	-656	N - G	181	-528																																																																																																																
D - P	309	-1066	L - I	652	-47																																																																																																																
D - O	660	-67	K - I	268	-962																																																																																																																
E - O	107	-462																																																																																																																			

Lumber

Top chord: 2x4 SP #2;
 Bot chord: 2x4 SP #2;
 Webs: 2x4 SP #3;

Bracing

(a) Continuous lateral restraint equally spaced on member.

Purlins

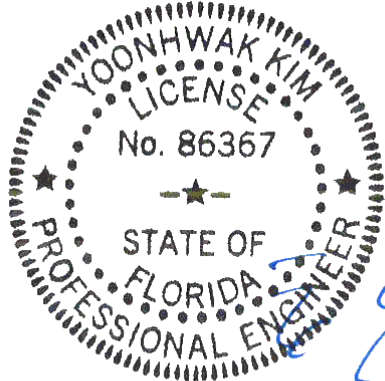
In lieu of structural panels use purlins to brace all flat TC @ 24" oc.

Wind

Wind loads based on MWFRS with additional C&C member design.
 Wind loading based on both gable and hip roof types.

Additional Notes

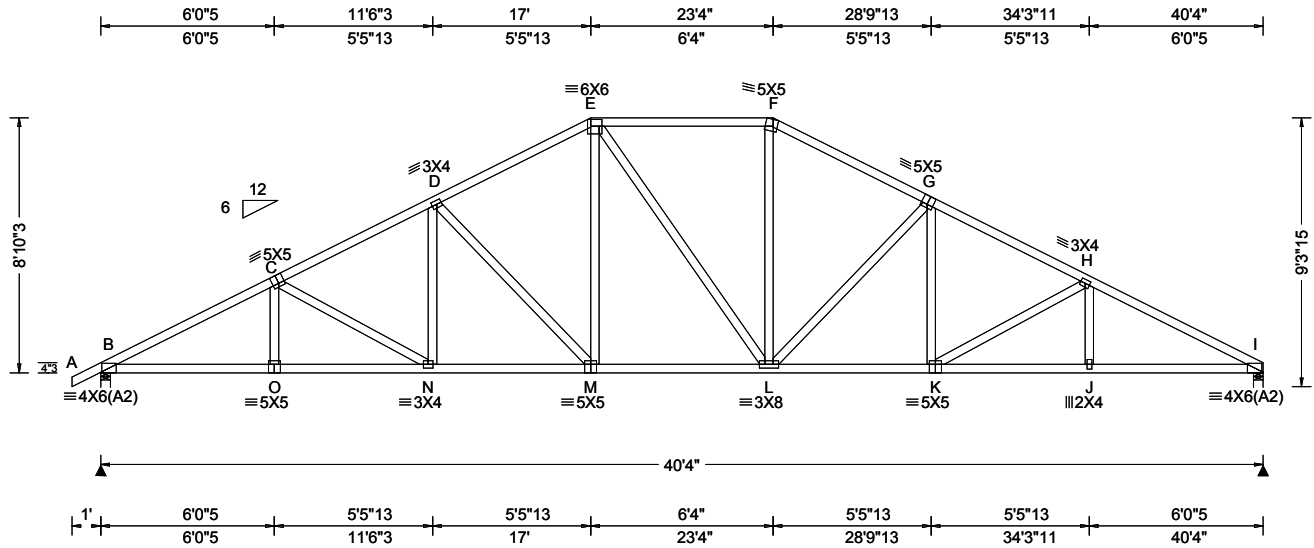
The overall height of this truss excluding overhang is 9-10-3.



FL REG# 278, Yoonhwak Kim, FL PE #86367
 02/28/2022

****WARNING** READ AND FOLLOW ALL NOTES ON THIS DRAWING!**
****IMPORTANT** FURNISH THIS DRAWING TO ALL CONTRACTORS INCLUDING THE INSTALLERS**
 Trusses require extreme care in fabricating, handling, shipping, installing and bracing. Refer to and follow the latest edition of BCSI (Building Component Safety Information, by TPI and SBCA) for safety practices prior to performing these functions. Installers shall provide temporary bracing per BCSI. Unless noted otherwise, top chord shall have properly attached structural sheathing and bottom chord shall have a properly attached rigid ceiling. Locations shown for permanent lateral restraint of webs shall have bracing installed per BCSI sections B3, B7, or B10, as applicable. Apply plates to each face of truss and position as shown above and on the Joint Details, unless noted otherwise. Refer to drawings 160A-Z for standard plate positions. Refer to job's General Notes page for additional information.
 Alpine, a division of ITW Building Components Group Inc. shall not be responsible for any deviation from this drawing, any failure to build the truss in conformance with ANSI/TPI 1, or for handling, shipping, installation and bracing of trusses. A seal on this drawing or cover page listing this drawing, indicates acceptance of professional engineering responsibility solely for the design shown. The suitability and use of this drawing for any structure is the responsibility of the Building Designer per ANSI/TPI 1 Sec.2.
 For more information see these web sites: Alpine: alpineitw.com; TPI: tpinst.org; SBCA: sbccomponents.com; ICC: iccsafe.org; AWC: awc.org





Loading Criteria (psf) TCLL: 20.00 TCDL: 10.00 BCLL: 0.00 BCDL: 10.00 Des Ld: 40.00 NCBCLL: 10.00 Soffit: 2.00 Load Duration: 1.25 Spacing: 24.0 "	Wind Criteria Wind Std: ASCE 7-16 Speed: 130 mph Enclosure: Closed Risk Category: II EXP: C Kzt: NA Mean Height: 15.00 ft TCDL: 5.0 psf BCDL: 5.0 psf MWFRS Parallel Dist: h to 2h C&C Dist a: 4.03 ft Loc. from endwall: not in 13.00 ft GCp: 0.18 Wind Duration: 1.60	Snow Criteria (Pg,Pf in PSF) Pg: NA Ct: NA CAT: NA Pf: NA Ce: NA Lu: NA Cs: NA Snow Duration: NA Building Code: FBC 7th Ed. 2020 Res. TPI Std: 2014 Rep Fac: Yes FT/RT:20(0)/10(0) Plate Type(s): WAVE	Defl/CSI Criteria PP Deflection in loc L/def L/# VERT(LL): 0.181 M 999 240 VERT(CL): 0.370 M 999 180 HORZ(LL): 0.079 I - - HORZ(TL): 0.161 I - - Creep Factor: 2.0 Max TC CSI: 0.505 Max BC CSI: 0.727 Max Web CSI: 0.789 VIEW Ver: 21.01.01A.0521.20	▲ Maximum Reactions (lbs) Gravity Loc R+ / R- / Rh / Rw / U / RL Non-Gravity B 1729 /- /- /1036 /42 /246 I 1660 /- /- /979 /34 /- Wind reactions based on MWFRS B Brg Wid = 4.0 Min Req = 2.0 I Brg Wid = 4.0 Min Req = 2.0 Bearings B & I are a rigid surface. Members not listed have forces less than 375# Maximum Top Chord Forces Per Ply (lbs) Chords Tens.Comp. Chords Tens. Comp. B - C 830 -3142 F - G 765 -2198 C - D 810 -2701 G - H 811 -2705 D - E 768 -2206 H - I 835 -3156 E - F 745 -1909
--	---	--	--	---

Lumber

Top chord: 2x4 SP #2;
Bot chord: 2x4 SP #2;
Webs: 2x4 SP #3;

Purlins

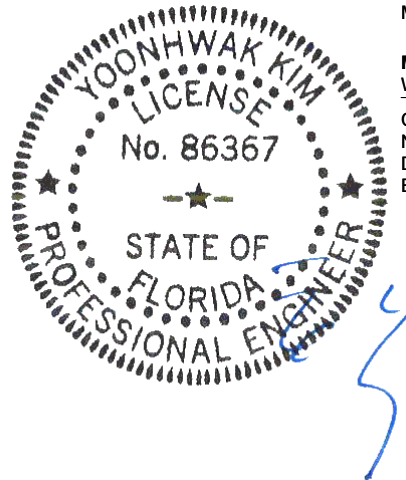
In lieu of structural panels use purlins to brace all flat TC @ 24" oc.

Wind

Wind loads based on MWFRS with additional C&C member design.
Wind loading based on both gable and hip roof types.

Additional Notes

The overall height of this truss excluding overhang is 8-10-3.



FL REG# 278, Yoonhwak Kim, FL PE #86367
02/28/2022

Maximum Bot Chord Forces Per Ply (lbs)

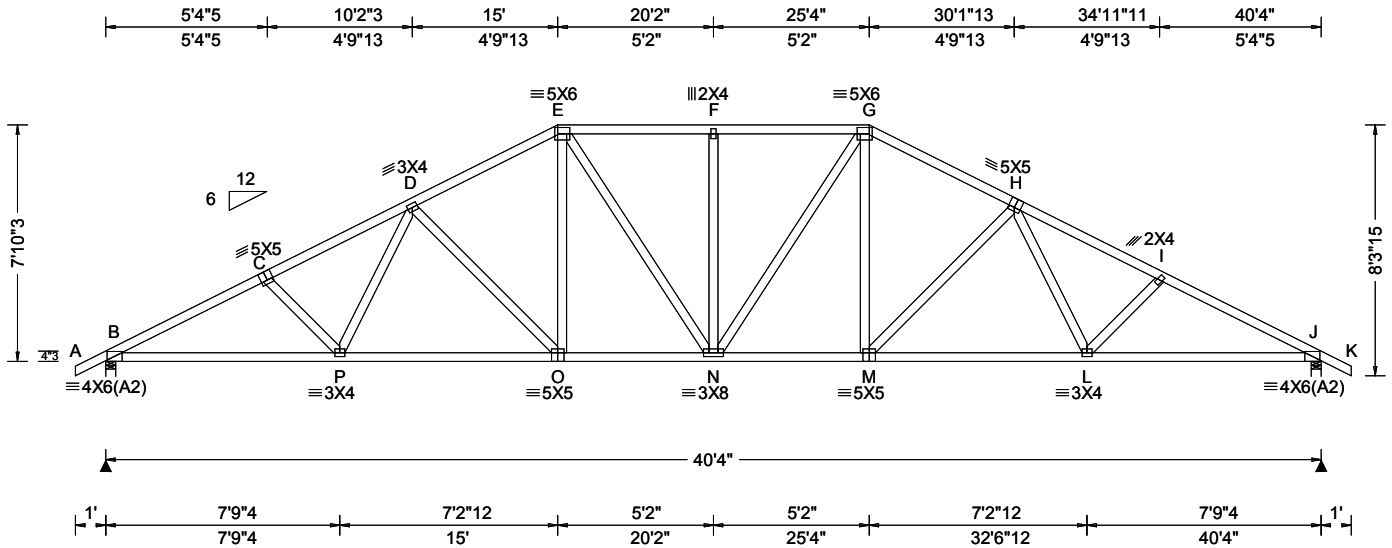
Chords	Tens.Comp.	Chords	Tens. Comp.
B - O	2736 -700	L - K	2337 -552
O - N	2734 -701	K - J	2749 -677
N - M	2336 -582	J - I	2752 -676
M - L	1905 -435		

Maximum Web Forces Per Ply (lbs)

Webs	Tens.Comp.	Webs	Tens. Comp.
C - N	150 -446	L - F	588 -108
N - D	393 -24	L - G	216 -636
D - M	215 -634	G - K	394 -33
E - M	586 -98	K - H	171 -462

****WARNING** READ AND FOLLOW ALL NOTES ON THIS DRAWING!**
****IMPORTANT** FURNISH THIS DRAWING TO ALL CONTRACTORS INCLUDING THE INSTALLERS**
Trusses require extreme care in fabricating, handling, shipping, installing and bracing. Refer to and follow the latest edition of BCSI (Building Component Safety Information, by TPI and SBCA) for safety practices prior to performing these functions. Installers shall provide temporary bracing per BCSI. Unless noted otherwise, top chord shall have properly attached structural sheathing and bottom chord shall have a properly attached rigid ceiling. Locations shown for permanent lateral restraint of webs shall have bracing installed per BCSI sections B3, B7, or B10, as applicable. Apply plates to each face of truss and position as shown above and on the Joint Details, unless noted otherwise. Refer to drawings 160A-Z for standard plate positions. Refer to job's General Notes page for additional information.
Alpine, a division of ITW Building Components Group Inc. shall not be responsible for any deviation from this drawing, any failure to build the truss in conformance with ANSI/TPI 1, or for handling, shipping, installation and bracing of trusses. A seal on this drawing or cover page listing this drawing, indicates acceptance of professional engineering responsibility solely for the design shown. The suitability and use of this drawing for any structure is the responsibility of the Building Designer per ANSI/TPI 1 Sec.2.
For more information see these web sites: Alpine: alpineitw.com; TPI: tpinst.org; SBCA: sbccomponents.com; ICC: iccsafe.org; AWC: awc.org





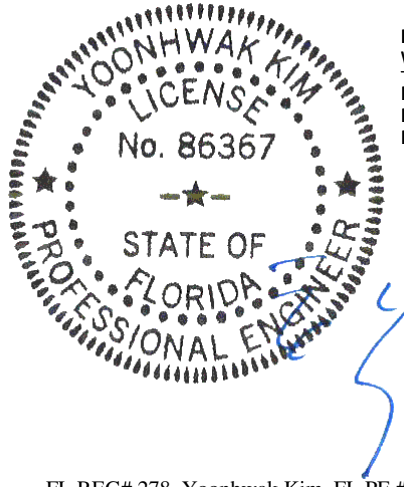
Loading Criteria (psf) TCLL: 20.00 TCDL: 10.00 BCLL: 0.00 BCDL: 10.00 Des Ld: 40.00 NCBCLL: 10.00 Soffit: 2.00 Load Duration: 1.25 Spacing: 24.0 "	Wind Criteria Wind Std: ASCE 7-16 Speed: 130 mph Enclosure: Closed Risk Category: II EXP: C Kzt: NA Mean Height: 15.00 ft TCDL: 5.0 psf BCDL: 5.0 psf MWFRS Parallel Dist: h to 2h C&C Dist a: 4.03 ft Loc. from endwall: not in 13.00 ft GCp: 0.18 Wind Duration: 1.60	Snow Criteria (Pg,Pf in PSF) Pg: NA Ct: NA CAT: NA Pf: NA Ce: NA Lu: NA Cs: NA Snow Duration: NA Building Code: FBC 7th Ed. 2020 Res. TPI Std: 2014 Rep Fac: Yes FT/RT:20(0)/10(0) Plate Type(s): WAVE	Defl/CSI Criteria PP Deflection in loc L/def L/# VERT(LL): 0.188 F 999 240 VERT(CL): 0.383 F 999 180 HORZ(LL): 0.078 J - - HORZ(TL): 0.159 J - - Creep Factor: 2.0 Max TC CSI: 0.390 Max BC CSI: 0.778 Max Web CSI: 0.522 VIEW Ver: 21.01.01A.0521.20	▲ Maximum Reactions (lbs) Gravity Loc R+ / R- / Rh / Rw / U / RL Non-Gravity B 1728 /- /- /1030 /49 /229 J 1728 /- /- /1030 /49 /- Wind reactions based on MWFRS B Brg Wid = 4.0 Min Req = 2.0 J Brg Wid = 4.0 Min Req = 2.0 Bearings B & J are a rigid surface. Members not listed have forces less than 375# Maximum Top Chord Forces Per Ply (lbs) Chords Tens.Comp. Chords Tens. Comp. B - C 930 -3148 F - G 884 -2201 C - D 916 -2944 G - H 864 -2374 D - E 865 -2374 H - I 917 -2944 E - F 884 -2201 I - J 931 -3150
--	---	--	--	--

Lumber
Top chord: 2x4 SP #2;
Bot chord: 2x4 SP #2;
Webs: 2x4 SP #3;

Purlins
In lieu of structural panels use purlins to brace all flat TC @ 24" oc.

Wind
Wind loads based on MWFRS with additional C&C member design.
Wind loading based on both gable and hip roof types.

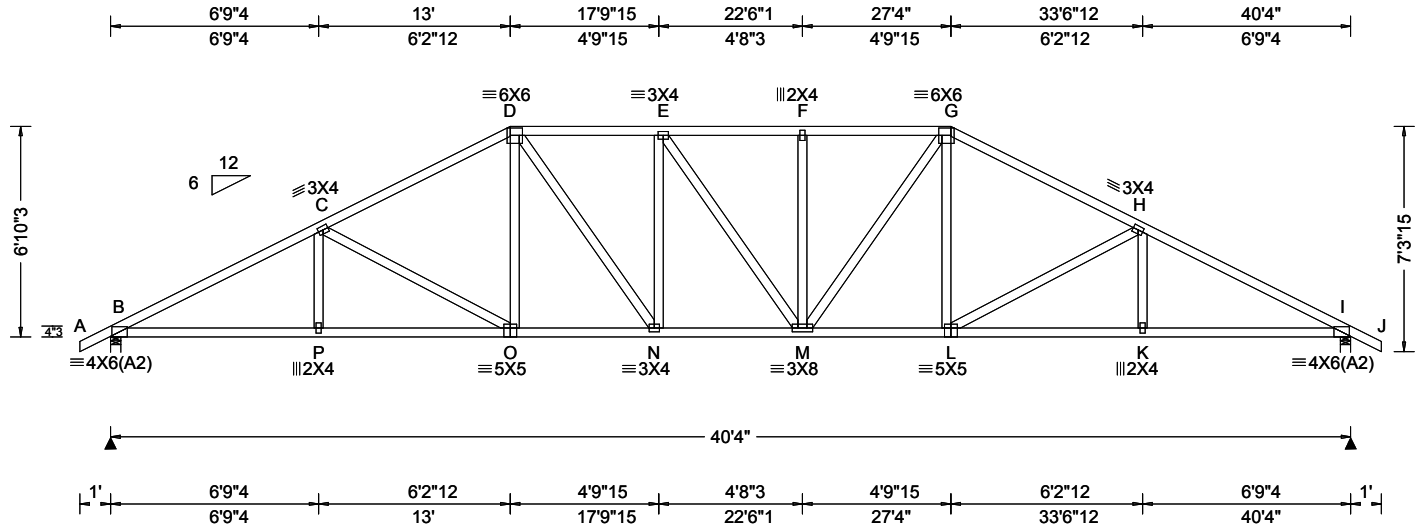
Additional Notes
The overall height of this truss excluding overhang is 7-10-3.



FL REG# 278, Yoonhwak Kim, FL PE #86367
02/28/2022

****WARNING** READ AND FOLLOW ALL NOTES ON THIS DRAWING!**
****IMPORTANT** FURNISH THIS DRAWING TO ALL CONTRACTORS INCLUDING THE INSTALLERS**
Trusses require extreme care in fabricating, handling, shipping, installing and bracing. Refer to and follow the latest edition of BCSI (Building Component Safety Information, by TPI and SBCA) for safety practices prior to performing these functions. Installers shall provide temporary bracing per BCSI. Unless noted otherwise, top chord shall have properly attached structural sheathing and bottom chord shall have a properly attached rigid ceiling. Locations shown for permanent lateral restraint of webs shall have bracing installed per BCSI sections B3, B7, or B10, as applicable. Apply plates to each face of truss and position as shown above and on the Joint Details, unless noted otherwise. Refer to drawings 160A-Z for standard plate positions. Refer to job's General Notes page for additional information.
Alpine, a division of ITW Building Components Group Inc. shall not be responsible for any deviation from this drawing, any failure to build the truss in conformance with ANSI/TPI 1, or for handling, shipping, installation and bracing of trusses. A seal on this drawing or cover page listing this drawing, indicates acceptance of professional engineering responsibility solely for the design shown. The suitability and use of this drawing for any structure is the responsibility of the Building Designer per ANSI/TPI 1 Sec.2.
For more information see these web sites: Alpine: alpineitw.com; TPI: tpinst.org; SBCA: sbccomponents.com; ICC: iccsafe.org; AWC: awc.org





Loading Criteria (psf) TCLL: 20.00 TCDL: 10.00 BCLL: 0.00 BCDL: 10.00 Des Ld: 40.00 NCBCLL: 10.00 Soffit: 2.00 Load Duration: 1.25 Spacing: 24.0 "	Wind Criteria Wind Std: ASCE 7-16 Speed: 130 mph Enclosure: Closed Risk Category: II EXP: C Kzt: NA Mean Height: 15.00 ft TCDL: 5.0 psf BCDL: 5.0 psf MWFRS Parallel Dist: h/2 to h C&C Dist a: 4.03 ft Loc. from endwall: not in 13.00 ft GCp: 0.18 Wind Duration: 1.60	Snow Criteria (Pg,Pf in PSF) Pg: NA Ct: NA CAT: NA Pf: NA Ce: NA Lu: NA Cs: NA Snow Duration: NA Building Code: FBC 7th Ed. 2020 Res. TPI Std: 2014 Rep Fac: Yes FT/RT:20(0)/10(0) Plate Type(s): WAVE	Defl/CSI Criteria PP Deflection in loc L/def L/# VERT(LL): 0.199 F 999 240 VERT(CL): 0.405 F 999 180 HORZ(LL): 0.081 I - - HORZ(TL): 0.165 I - - Creep Factor: 2.0 Max TC CSI: 0.535 Max BC CSI: 0.691 Max Web CSI: 0.557 VIEW Ver: 21.01.01A.0521.20	▲ Maximum Reactions (lbs) Gravity Non-Gravity Loc R+ / R- / Rh / Rw / U / RL B 1728 /- /- /1022 /311 /202 I 1728 /- /- /1022 /311 /- Wind reactions based on MWFRS B Brg Wid = 4.0 Min Req = 2.0 I Brg Wid = 4.0 Min Req = 2.0 Bearings B & I are a rigid surface. Members not listed have forces less than 375# Maximum Top Chord Forces Per Ply (lbs) Chords Tens.Comp. Chords Tens. Comp. B - C 947 -3121 F - G 981 -2496 C - D 907 -2575 G - H 907 -2575 D - E 975 -2487 H - I 947 -3121 E - F 981 -2496
--	--	--	--	---

Lumber

Top chord: 2x4 SP #2;
Bot chord: 2x4 SP #2;
Webs: 2x4 SP #3;

Purlins

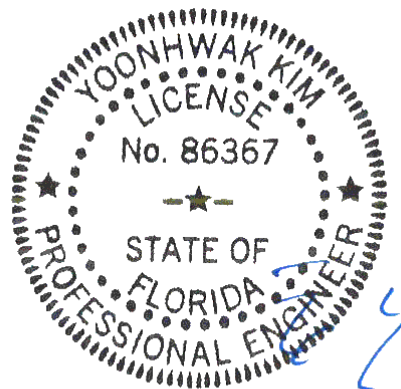
In lieu of structural panels use purlins to brace all flat TC @ 24" oc.

Wind

Wind loads based on MWFRS with additional C&C member design.
Wind loading based on both gable and hip roof types.

Additional Notes

The overall height of this truss excluding overhang is 6-10-3.

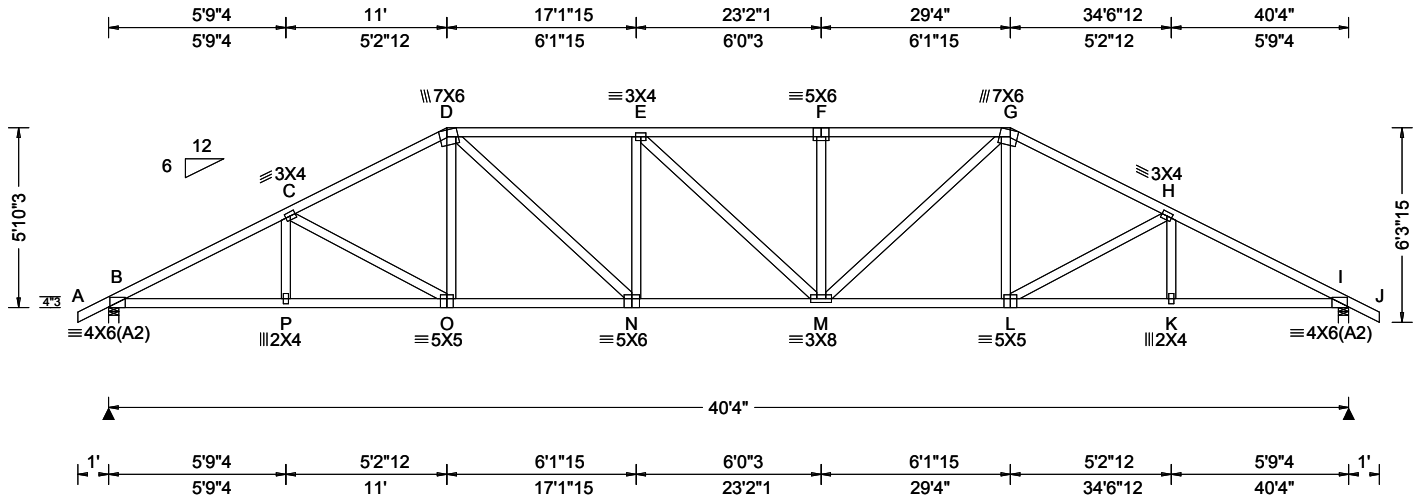


FL REG# 278, Yoonhwak Kim, FL PE #86367
02/28/2022

Maximum Bot Chord Forces Per Ply (lbs)			
Chords	Tens.Comp.	Chords	Tens. Comp.
B - P	2713 -765	M - L	2222 -581
P - O	2710 -767	L - K	2710 -753
O - N	2222 -594	K - I	2713 -751
N - M	2500 -702		
Maximum Web Forces Per Ply (lbs)			
Webs	Tens.Comp.	Webs	Tens. Comp.
C - O	199 -560	M - G	462 -217
D - O	431 -47	G - L	434 -47
D - N	456 -212	L - H	200 -560

****WARNING** READ AND FOLLOW ALL NOTES ON THIS DRAWING!**
****IMPORTANT** FURNISH THIS DRAWING TO ALL CONTRACTORS INCLUDING THE INSTALLERS**
Trusses require extreme care in fabricating, handling, shipping, installing and bracing. Refer to and follow the latest edition of BCSI (Building Component Safety Information, by TPI and SBCA) for safety practices prior to performing these functions. Installers shall provide temporary bracing per BCSI. Unless noted otherwise, top chord shall have properly attached structural sheathing and bottom chord shall have a properly attached rigid ceiling. Locations shown for permanent lateral restraint of webs shall have bracing installed per BCSI sections B3, B7, or B10, as applicable. Apply plates to each face of truss and position as shown above and on the Joint Details, unless noted otherwise. Refer to drawings 160A-Z for standard plate positions. Refer to job's General Notes page for additional information.
Alpine, a division of ITW Building Components Group Inc. shall not be responsible for any deviation from this drawing, any failure to build the truss in conformance with ANSI/TPI 1, or for handling, shipping, installation and bracing of trusses. A seal on this drawing or cover page listing this drawing, indicates acceptance of professional engineering responsibility solely for the design shown. The suitability and use of this drawing for any structure is the responsibility of the Building Designer per ANSI/TPI 1 Sec.2.
For more information see these web sites: Alpine: alpineitw.com; TPI: tpinst.org; SBCA: sbccomponents.com; ICC: iccsafe.org; AWC: awc.org





Loading Criteria (psf) TCLL: 20.00 TCDL: 10.00 BCLL: 0.00 BCDL: 10.00 Des Ld: 40.00 NCBCLL: 10.00 Soffit: 2.00 Load Duration: 1.25 Spacing: 24.0 "	Wind Criteria Wind Std: ASCE 7-16 Speed: 130 mph Enclosure: Closed Risk Category: II EXP: C Kzt: NA Mean Height: 15.00 ft TCDL: 5.0 psf BCDL: 5.0 psf MWFRS Parallel Dist: h/2 to h C&C Dist a: 4.03 ft Loc. from endwall: not in 6.50 ft GCp: 0.18 Wind Duration: 1.60	Snow Criteria (Pg,Pf in PSF) Pg: NA Ct: NA CAT: NA Pf: NA Ce: NA Lu: NA Cs: NA Snow Duration: NA Building Code: FBC 7th Ed. 2020 Res. TPI Std: 2014 Rep Fac: Yes FT/RT:20(0)/10(0) Plate Type(s): WAVE	Defl/CSI Criteria PP Deflection in loc L/def L/# VERT(LL): 0.230 F 999 240 VERT(CL): 0.469 F 999 180 HORZ(LL): 0.084 I - - HORZ(TL): 0.172 I - - Creep Factor: 2.0 Max TC CSI: 0.582 Max BC CSI: 0.777 Max Web CSI: 0.380 VIEW Ver: 21.01.01A.0521.20	▲ Maximum Reactions (lbs) Gravity Non-Gravity Loc R+ / R- / Rh / Rw / U / RL B 1728 /- /- /1010 /313 /175 I 1728 /- /- /1010 /313 /- Wind reactions based on MWFRS B Brg Wid = 4.0 Min Req = 2.0 I Brg Wid = 4.0 Min Req = 2.0 Bearings B & I are a rigid surface. Members not listed have forces less than 375# Maximum Top Chord Forces Per Ply (lbs) Chords Tens.Comp. Chords Tens. Comp. B - C 977 -3144 F - G 1131 -2938 C - D 969 -2733 G - H 969 -2733 D - E 1124 -2924 H - I 977 -3144 E - F 1131 -2937
--	---	--	--	--

Lumber

Top chord: 2x4 SP #2;
Bot chord: 2x4 SP #2;
Webs: 2x4 SP #3;

Purlins

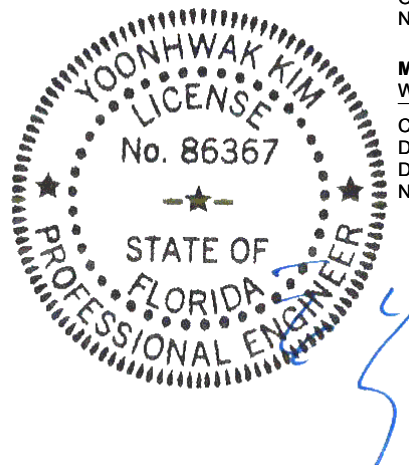
In lieu of structural panels use purlins to brace all flat TC @ 24" oc.

Wind

Wind loads based on MWFRS with additional C&C member design.
Wind loading based on both gable and hip roof types.

Additional Notes

The overall height of this truss excluding overhang is 5-10-3.



FL REG# 278, Yoonhwak Kim, FL PE #86367
02/28/2022

Maximum Bot Chord Forces Per Ply (lbs)

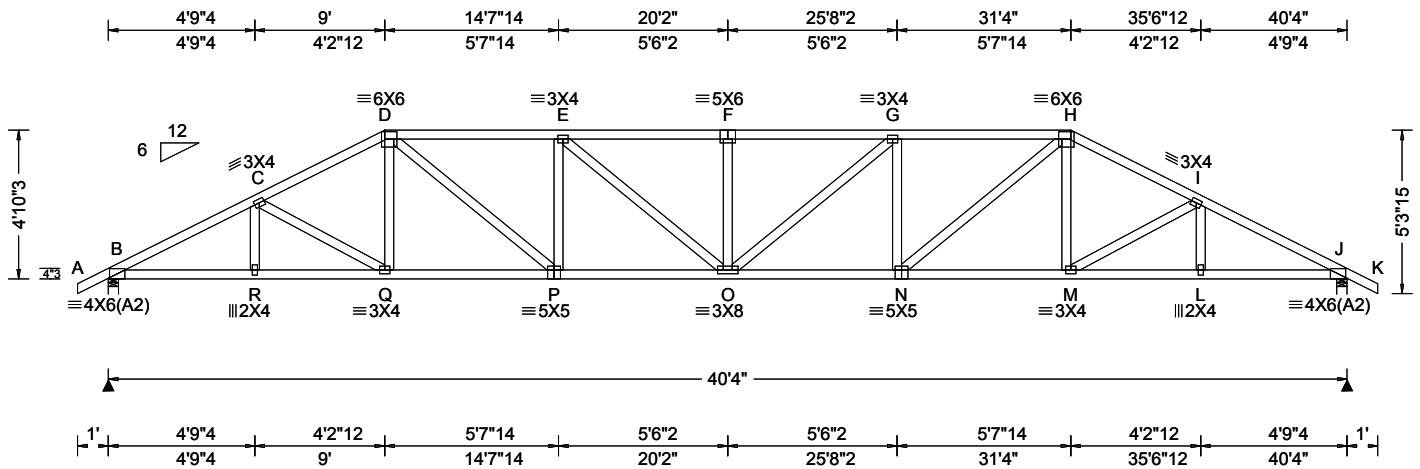
Chords	Tens.Comp.	Chords	Tens. Comp.
B - P	2740 -801	M - L	2382 -671
P - O	2738 -803	L - K	2738 -789
O - N	2383 -665	K - I	2740 -787
N - M	2944 -889		

Maximum Web Forces Per Ply (lbs)

Webs	Tens.Comp.	Webs	Tens. Comp.
C - O	159 -410	M - G	747 -304
D - O	389 -29	G - L	391 -29
D - N	736 -297	L - H	160 -410
N - E	264 -379		

****WARNING** READ AND FOLLOW ALL NOTES ON THIS DRAWING!**
****IMPORTANT** FURNISH THIS DRAWING TO ALL CONTRACTORS INCLUDING THE INSTALLERS**
Trusses require extreme care in fabricating, handling, shipping, installing and bracing. Refer to and follow the latest edition of BCSI (Building Component Safety Information, by TPI and SBCA) for safety practices prior to performing these functions. Installers shall provide temporary bracing per BCSI. Unless noted otherwise, top chord shall have properly attached structural sheathing and bottom chord shall have a properly attached rigid ceiling. Locations shown for permanent lateral restraint of webs shall have bracing installed per BCSI sections B3, B7, or B10, as applicable. Apply plates to each face of truss and position as shown above and on the Joint Details, unless noted otherwise. Refer to drawings 160A-Z for standard plate positions. Refer to job's General Notes page for additional information.
Alpine, a division of ITW Building Components Group Inc. shall not be responsible for any deviation from this drawing, any failure to build the truss in conformance with ANSI/TPI 1, or for handling, shipping, installation and bracing of trusses. A seal on this drawing or cover page listing this drawing, indicates acceptance of professional engineering responsibility solely for the design shown. The suitability and use of this drawing for any structure is the responsibility of the Building Designer per ANSI/TPI 1 Sec.2.
For more information see these web sites: Alpine: alpineitw.com; TPI: tpinst.org; SBCA: sbccomponents.com; ICC: iccsafe.org; AWC: awc.org





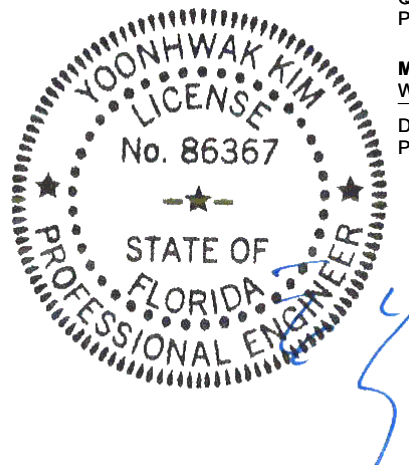
Loading Criteria (psf) TCCL: 20.00 TCDL: 10.00 BCLL: 0.00 BCDL: 10.00 Des Ld: 40.00 NCBCLL: 10.00 Soffit: 2.00 Load Duration: 1.25 Spacing: 24.0 "	Wind Criteria Wind Std: ASCE 7-16 Speed: 130 mph Enclosure: Closed Risk Category: II EXP: C Kzt: NA Mean Height: 15.00 ft TCDL: 5.0 psf BCDL: 5.0 psf MWFRS Parallel Dist: h/2 to h C&C Dist a: 4.03 ft Loc. from endwall: not in 6.50 ft GCp: 0.18 Wind Duration: 1.60	Snow Criteria (Pg,Pf in PSF) Pg: NA Ct: NA CAT: NA Pf: NA Ce: NA Lu: NA Cs: NA Snow Duration: NA Building Code: FBC 7th Ed. 2020 Res. TPI Std: 2014 Rep Fac: Yes FT/RT:20(0)/10(0) Plate Type(s): WAVE	Defl/CSI Criteria PP Deflection in loc L/def L/# VERT(LL): 0.298 F 999 240 VERT(CL): 0.608 F 790 180 HORZ(LL): 0.091 J - - HORZ(TL): 0.186 J - - Creep Factor: 2.0 Max TC CSI: 0.615 Max BC CSI: 0.834 Max Web CSI: 0.409 VIEW Ver: 21.01.01A.0521.20	▲ Maximum Reactions (lbs) <table style="width:100%; border-collapse: collapse;"> <thead> <tr> <th rowspan="2">Loc</th> <th colspan="3">Gravity</th> <th colspan="3">Non-Gravity</th> </tr> <tr> <th>R+</th> <th>/R-</th> <th>/Rh</th> <th>/Rw</th> <th>/U</th> <th>/RL</th> </tr> </thead> <tbody> <tr> <td>B</td> <td>1728</td> <td>-</td> <td>-</td> <td>/994</td> <td>/315</td> <td>/147</td> </tr> <tr> <td>J</td> <td>1728</td> <td>-</td> <td>-</td> <td>/994</td> <td>/315</td> <td>-</td> </tr> </tbody> </table> <p>Wind reactions based on MWFRS B Brg Wid = 4.0 Min Req = 2.0 J Brg Wid = 4.0 Min Req = 2.0 Bearings B & J are a rigid surface. Members not listed have forces less than 375#</p> Maximum Top Chord Forces Per Ply (lbs) <table style="width:100%; border-collapse: collapse;"> <thead> <tr> <th>Chords</th> <th>Tens.Comp.</th> <th>Chords</th> <th>Tens. Comp.</th> </tr> </thead> <tbody> <tr> <td>B - C</td> <td>1012 - 3156</td> <td>F - G</td> <td>1330 - 3649</td> </tr> <tr> <td>C - D</td> <td>1026 - 2879</td> <td>G - H</td> <td>1270 - 3358</td> </tr> <tr> <td>D - E</td> <td>1270 - 3358</td> <td>H - I</td> <td>1026 - 2879</td> </tr> <tr> <td>E - F</td> <td>1330 - 3649</td> <td>I - J</td> <td>1012 - 3156</td> </tr> </tbody> </table>	Loc	Gravity			Non-Gravity			R+	/R-	/Rh	/Rw	/U	/RL	B	1728	-	-	/994	/315	/147	J	1728	-	-	/994	/315	-	Chords	Tens.Comp.	Chords	Tens. Comp.	B - C	1012 - 3156	F - G	1330 - 3649	C - D	1026 - 2879	G - H	1270 - 3358	D - E	1270 - 3358	H - I	1026 - 2879	E - F	1330 - 3649	I - J	1012 - 3156
Loc	Gravity			Non-Gravity																																															
	R+	/R-	/Rh	/Rw	/U	/RL																																													
B	1728	-	-	/994	/315	/147																																													
J	1728	-	-	/994	/315	-																																													
Chords	Tens.Comp.	Chords	Tens. Comp.																																																
B - C	1012 - 3156	F - G	1330 - 3649																																																
C - D	1026 - 2879	G - H	1270 - 3358																																																
D - E	1270 - 3358	H - I	1026 - 2879																																																
E - F	1330 - 3649	I - J	1012 - 3156																																																

Lumber
 Top chord: 2x4 SP #2;
 Bot chord: 2x4 SP #2;
 Webs: 2x4 SP #3;

Purlins
 In lieu of structural panels use purlins to brace all flat TC @ 24" oc.

Wind
 Wind loads based on MWFRS with additional C&C member design.
 Wind loading based on both gable and hip roof types.

Additional Notes
 The overall height of this truss excluding overhang is 4-10-3.



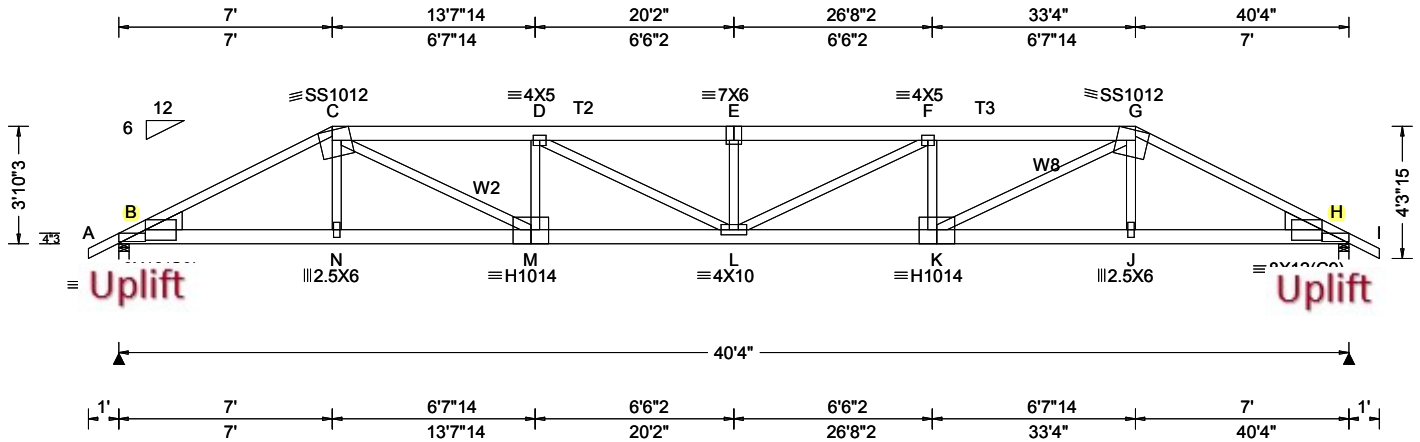
FL REG# 278, Yoonhwak Kim, FL PE #86367
 02/28/2022

****WARNING** READ AND FOLLOW ALL NOTES ON THIS DRAWING!**
****IMPORTANT** FURNISH THIS DRAWING TO ALL CONTRACTORS INCLUDING THE INSTALLERS**
 Trusses require extreme care in fabricating, handling, shipping, installing and bracing. Refer to and follow the latest edition of BCSI (Building Component Safety Information, by TPI and SBCA) for safety practices prior to performing these functions. Installers shall provide temporary bracing per BCSI. Unless noted otherwise, top chord shall have properly attached structural sheathing and bottom chord shall have a properly attached rigid ceiling. Locations shown for permanent lateral restraint of webs shall have bracing installed per BCSI sections B3, B7, or B10, as applicable. Apply plates to each face of truss and position as shown above and on the Joint Details, unless noted otherwise. Refer to drawings 160A-Z for standard plate positions. Refer to job's General Notes page for additional information.

Alpine, a division of ITW Building Components Group Inc. shall not be responsible for any deviation from this drawing, any failure to build the truss in conformance with ANSI/TPI 1, or for handling, shipping, installation and bracing of trusses. A seal on this drawing or cover page listing this drawing, indicates acceptance of professional engineering responsibility solely for the design shown. The suitability and use of this drawing for any structure is the responsibility of the Building Designer per ANSI/TPI 1 Sec.2.

For more information see these web sites: Alpine: alpineitw.com; TPI: tpinst.org; SBCA: sbccomponents.com; ICC: iccsafe.org; AWC: awc.org





Loading Criteria (psf) TCLL: 20.00 TCDL: 10.00 BCLL: 0.00 BCDL: 10.00 Des Ld: 40.00 NCBCLL: 10.00 Soffit: 2.00 Load Duration: 1.25 Spacing: 24.0 "	Wind Criteria Wind Std: ASCE 7-16 Speed: 130 mph Enclosure: Closed Risk Category: II EXP: C Kzt: NA Mean Height: 15.00 ft TCDL: 5.0 psf BCDL: 5.0 psf MWFRS Parallel Dist: 0 to h/2 C&C Dist a: 4.03 ft Loc. from endwall: not in 6.50 ft GCp: 0.18 Wind Duration: 1.60	Snow Criteria (Pg,Pf in PSF) Pg: NA Ct: NA CAT: NA Pf: NA Ce: NA Lu: NA Cs: NA Snow Duration: NA Building Code: FBC 7th Ed. 2020 Res. TPI Std: 2014 Rep Fac: Varies by Ld Case FT/RT:20(0)/10(0) Plate Type(s): 18SS, WAVE, HS	Defl/CSI Criteria PP Deflection in loc L/defl L/# VERT(LL): 0.642 E 748 240 VERT(CL): 1.289 E 372 180 HORZ(LL): 0.129 H - - HORZ(TL): 0.260 H - - Creep Factor: 2.0 Max TC CSI: 0.953 Max BC CSI: 0.760 Max Web CSI: 0.609 VIEW Ver: 21.01.01A.0521.20	▲ Maximum Reactions (lbs) Gravity Non-Gravity Loc R+ / R- / Rh / Rw / U / RL B 4035 - / - / - / - /908 - / - H 4035 - / - / - / - /908 - / - Wind reactions based on MWFRS B Brg Wid = 4.0 Min Req = 3.3 H Brg Wid = 4.0 Min Req = 3.3 Bearings B & H are a rigid surface. Members not listed have forces less than 375# Maximum Top Chord Forces Per Ply (lbs) Chords Tens.Comp. Chords Tens. Comp. B - C 1893 - 8338 E - F 3008 - 13183 C - D 2652 - 11630 F - G 2652 - 11630 D - E 3008 - 13183 G - H 1893 - 8338
--	---	--	---	--

Lumber
Top chord: 2x4 SP M-31; T2,T3 2x6 SP 2400f-2.0E;
Bot chord: 2x6 SP 2400f-2.0E;
Webs: 2x4 SP #3; W2,W8 2x4 SP M-31;
Lt Wedge: 2x8 SP #2; Rt Wedge: 2x8 SP #2;

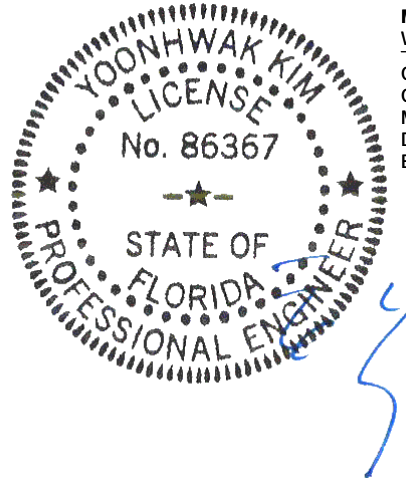
Special Loads
----(Lumber Dur.Fac.=1.25 / Plate Dur.Fac.=1.25)
TC: From 62 plf at -1.00 to 62 plf at 7.00
TC: From 31 plf at 7.00 to 31 plf at 33.33
TC: From 62 plf at 33.33 to 62 plf at 41.33
BC: From 4 plf at -1.00 to 4 plf at 0.00
BC: From 20 plf at 0.00 to 20 plf at 7.03
BC: From 10 plf at 7.03 to 10 plf at 33.30
BC: From 20 plf at 33.30 to 20 plf at 40.33
BC: From 4 plf at 40.33 to 4 plf at 41.33
TC: 266 lb Conc. Load at 7.03,33.30
TC: 191 lb Conc. Load at 9.06,11.06,13.06,15.06
17.06,19.06,20.17,21.27,23.27,25.27,27.27,29.27
31.27
BC: 499 lb Conc. Load at 7.03,33.30
BC: 130 lb Conc. Load at 9.06,11.06,13.06,15.06
17.06,19.06,20.17,21.27,23.27,25.27,27.27,29.27
31.27

Purlins
In lieu of structural panels use purlins to brace all flat TC @ 24" oc.

Wind
Wind loads and reactions based on MWFRS.
Wind loading based on both gable and hip roof types.

Additional Notes
The overall height of this truss excluding overhang is 3-10-3.

It is the responsibility of the Building Designer and Truss Fabricator to review this drawing prior to cutting lumber to verify that all data, including dimensions and loads, conform to the architectural plans/specifications and fabricators truss layout.

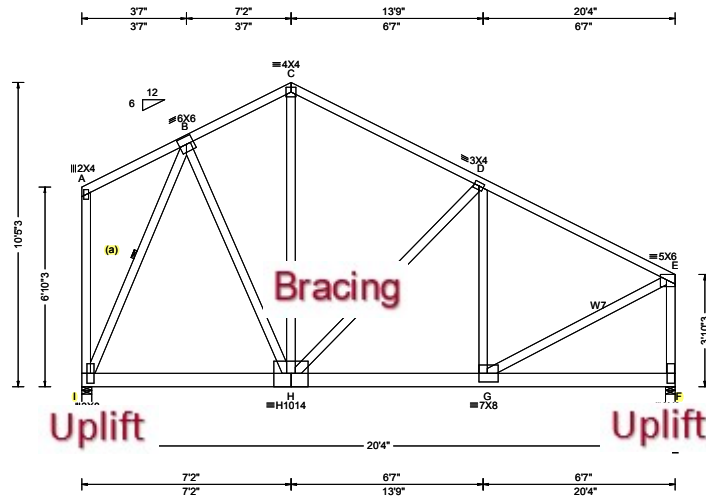


FL REG# 278, Yoonhwak Kim, FL PE #86367
02/28/2022

****WARNING** READ AND FOLLOW ALL NOTES ON THIS DRAWING!**
****IMPORTANT** FURNISH THIS DRAWING TO ALL CONTRACTORS INCLUDING THE INSTALLERS**
Trusses require extreme care in fabricating, handling, shipping, installing and bracing. Refer to and follow the latest edition of BCSI (Building Component Safety Information, by TPI and SBCA) for safety practices prior to performing these functions. Installers shall provide temporary bracing per BCSI. Unless noted otherwise, top chord shall have properly attached structural sheathing and bottom chord shall have a properly attached rigid ceiling. Locations shown for permanent lateral restraint of webs shall have bracing installed per BCSI sections B3, B7, or B10, as applicable. Apply plates to each face of truss and position as shown above and on the Joint Details, unless noted otherwise. Refer to drawings 160A-Z for standard plate positions. Refer to job's General Notes page for additional information.
Alpine, a division of ITW Building Components Group Inc. shall not be responsible for any deviation from this drawing, any failure to build the truss in conformance with ANSI/TPI 1, or for handling, shipping, installation and bracing of trusses. A seal on this drawing or cover page listing this drawing, indicates acceptance of professional engineering responsibility solely for the design shown. The suitability and use of this drawing for any structure is the responsibility of the Building Designer per ANSI/TPI 1 Sec.2.
For more information see these web sites: Alpine: alpineitw.com; TPI: tpinst.org; SBCA: sbccomponents.com; ICC: iccsafe.org; AWC: awc.org



2 Complete Trusses Required



Loading Criteria (psf) TCCL: 20.00 TCCL: 10.00 BCCL: 0.00 BCDL: 10.00 Des Ld: 40.00 NCBCCL: 0.00 Soffit: 2.00 Load Duration: 1.25 Spacing: 24.0 "	Wind Criteria Wind Std: ASCE 7-16 Speed: 130 mph Enclosure: Closed Risk Category: II EXP: C Kzt: NA Mean Height: 16.23 ft TCCL: 5.0 psf BCDL: 5.0 psf MWFRS Parallel Dist: 0 to h/2 C&C Dist a: 3.00 ft Loc. from endwall: not in 9.00 ft GCp: 0.18 Wind Duration: 1.60	Snow Criteria (Pg,Pf in PSF) Pg: NA Ct: NA CAT: NA Pf: NA Ce: NA Lu: NA Cs: NA Snow Duration: NA Building Code: FBC 7th Ed. 2020 Res. TPI Std: 2014 Rep Fac: No FT/RT:20(0)/10(0) Plate Type(s): WAVE, HS	Defl/CSI Criteria PP Deflection in loc L/def L/# VERT(LL): 0.059 G 999 240 VERT(CL): 0.118 G 999 180 HORZ(LL): 0.019 B - - HORZ(TL): 0.038 B - - Creep Factor: 2.0 Max TC CSI: 0.803 Max BC CSI: 0.767 Max Web CSI: 0.948 VIEW Ver: 21.01.01A.0521.20	▲ Maximum Reactions (lbs) <table border="1"> <thead> <tr> <th rowspan="2">Loc</th> <th colspan="3">Gravity</th> <th colspan="3">Non-Gravity</th> </tr> <tr> <th>R+</th> <th>/R-</th> <th>/Rh</th> <th>/Rw</th> <th>/U</th> <th>/RL</th> </tr> </thead> <tbody> <tr> <td>I</td> <td>7005</td> <td>-/-</td> <td>-/-</td> <td>-/-</td> <td>/1124</td> <td>-/-</td> </tr> <tr> <td>F</td> <td>6665</td> <td>-/-</td> <td>-/-</td> <td>-/-</td> <td>/1145</td> <td>-/-</td> </tr> </tbody> </table> Wind reactions based on MWFRS I Brg Wid = 4.0 Min Req = 2.9 F Brg Wid = 4.0 Min Req = 2.8 Bearings I & F are a rigid surface. Members not listed have forces less than 375# Maximum Top Chord Forces Per Ply (lbs) <table border="1"> <thead> <tr> <th>Chords</th> <th>Tens.Comp.</th> <th>Chords</th> <th>Tens. Comp.</th> </tr> </thead> <tbody> <tr> <td>B - C</td> <td>314 -2002</td> <td>D - E</td> <td>461 -2714</td> </tr> <tr> <td>C - D</td> <td>321 -2022</td> <td></td> <td></td> </tr> </tbody> </table>	Loc	Gravity			Non-Gravity			R+	/R-	/Rh	/Rw	/U	/RL	I	7005	-/-	-/-	-/-	/1124	-/-	F	6665	-/-	-/-	-/-	/1145	-/-	Chords	Tens.Comp.	Chords	Tens. Comp.	B - C	314 -2002	D - E	461 -2714	C - D	321 -2022		
Loc	Gravity			Non-Gravity																																							
	R+	/R-	/Rh	/Rw	/U	/RL																																					
I	7005	-/-	-/-	-/-	/1124	-/-																																					
F	6665	-/-	-/-	-/-	/1145	-/-																																					
Chords	Tens.Comp.	Chords	Tens. Comp.																																								
B - C	314 -2002	D - E	461 -2714																																								
C - D	321 -2022																																										

Lumber
 Top chord: 2x4 SP #2;
 Bot chord: 2x6 SP 2400f-2.0E;
 Webs: 2x4 SP #3; W7 2x4 SP #2;

Bracing
 (a) Continuous lateral restraint equally spaced on member.

Nailnote
 Nail Schedule: 0.131"x3", min. nails
 Top Chord: 1 Row @ 12.00" o.c.
 Bot Chord: 2 Rows @ 5.00" o.c. (Each Row)
 Webs : 1 Row @ 4" o.c.
 Use equal spacing between rows and stagger nails in each row to avoid splitting.

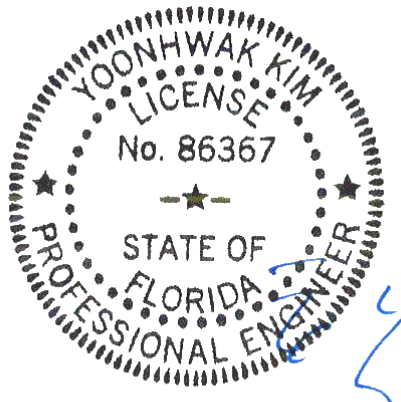
Additional Notes
 The overall height of this truss excluding overhang is 10-5-3.
 It is the responsibility of the Building Designer and Truss Fabricator to review this drawing prior to cutting lumber to verify that all data, including dimensions and loads, conform to the architectural plans/specifications and fabricators truss layout.

Maximum Bot Chord Forces Per Ply (lbs)

Chords	Tens.Comp.	Chords	Tens. Comp.
I - H	1079 -171	H - G	2366 -394

Maximum Web Forces Per Ply (lbs)

Webs	Tens.Comp.	Webs	Tens. Comp.
I - B	434 -2742	D - G	735 -108
B - H	1735 -260	G - E	2690 -445
C - H	1704 -247	E - F	447 -2561
H - D	170 -841		



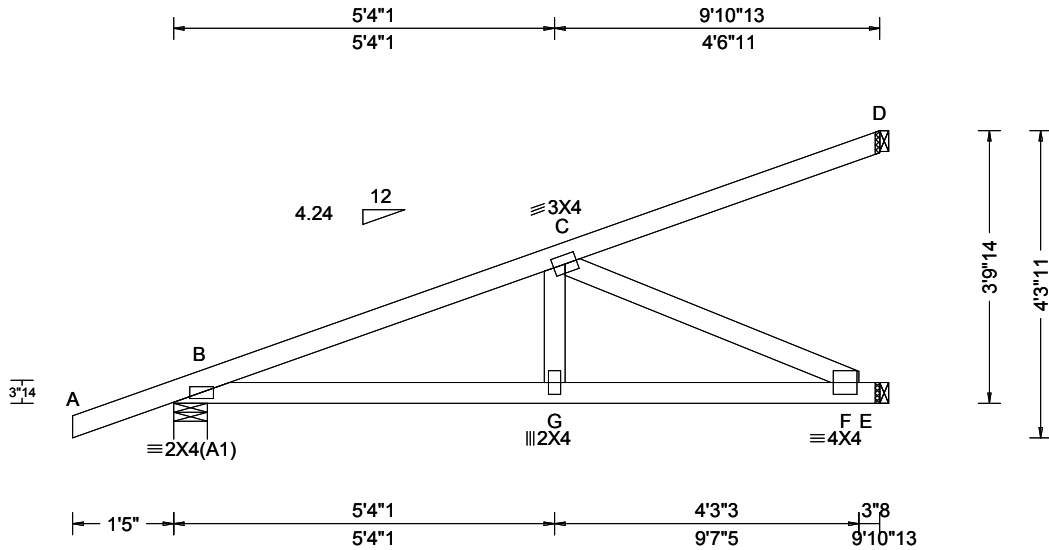
FL REG# 278, Yoonhwak Kim, FL PE #86367
 02/28/2022

****WARNING** READ AND FOLLOW ALL NOTES ON THIS DRAWING!**
****IMPORTANT** FURNISH THIS DRAWING TO ALL CONTRACTORS INCLUDING THE INSTALLERS**
 Trusses require extreme care in fabricating, handling, shipping, installing and bracing. Refer to and follow the latest edition of BCSI (Building Component Safety Information, by TPI and SBCA) for safety practices prior to performing these functions. Installers shall provide temporary bracing per BCSI. Unless noted otherwise, top chord shall have properly attached structural sheathing and bottom chord shall have a properly attached rigid ceiling. Locations shown for permanent lateral restraint of webs shall have bracing installed per BCSI sections B3, B7, or B10, as applicable. Apply plates to each face of truss and position as shown above and on the Joint Details, unless noted otherwise. Refer to drawings 160A-2 for standard plate positions. Refer to job's General Notes page for additional information.

Alpine, a division of ITW Building Components Group Inc. shall not be responsible for any deviation from this drawing, any failure to build the truss in conformance with ANSI/TPI 1, or for handling, shipping, installation and bracing of trusses. A seal on this drawing or cover page listing this drawing, indicates acceptance of professional engineering responsibility solely for the design shown. The suitability and use of this drawing for any structure is the responsibility of the Building Designer per ANSI/TPI 1 Sec.2.

For more information see these web sites: Alpine: alpineitw.com; TPI: tpinst.org; SBCA: sbccomponents.com; ICC: iccsafe.org; AWC: awc.org





Loading Criteria (psf) TCLL: 20.00 TCDL: 10.00 BCLL: 0.00 BCDL: 10.00 Des Ld: 40.00 NCBCLL: 10.00 Soffit: 2.00 Load Duration: 1.25 Spacing: 24.0 "	Wind Criteria Wind Std: ASCE 7-16 Speed: 130 mph Enclosure: Closed Risk Category: II EXP: C Kzt: NA Mean Height: 15.00 ft TCDL: 5.0 psf BCDL: 5.0 psf MWFRS Parallel Dist: 0 to h/2 C&C Dist a: 3.00 ft Loc. from endwall: not in 4.50 ft GCpi: 0.18 Wind Duration: 1.60	Snow Criteria (Pg,Pf in PSF) Pg: NA Ct: NA CAT: NA Pf: NA Ce: NA Lu: NA Cs: NA Snow Duration: NA Building Code: FBC 7th Ed. 2020 Res. TPI Std: 2014 Rep Fac: Varies by Ld Case FT/RT:20(0)/10(0) Plate Type(s): WAVE	Defl/CSI Criteria PP Deflection in loc L/def L/# VERT(LL): 0.023 G 999 240 VERT(CL): 0.047 G 999 180 HORZ(LL): 0.006 F - - HORZ(TL): 0.011 F - - Creep Factor: 2.0 Max TC CSI: 0.549 Max BC CSI: 0.662 Max Web CSI: 0.361 VIEW Ver: 21.01.01A.0521.20	▲ Maximum Reactions (lbs) Gravity Loc R+ / R- / Rh / Rw / U / RL Non-Gravity B 347 /- /- /- /118 /- E 369 /- /- /- /70 /- D 75 /- /- /- /30 /- Wind reactions based on MWFRS B Brg Wid = 5.7 Min Req = 1.5 E Brg Wid = 1.5 D Brg Wid = 1.5 Bearing B is a rigid surface. Members not listed have forces less than 375# Maximum Top Chord Forces Per Ply (lbs) Chords Tens.Comp. B - C 202 -786 Maximum Bot Chord Forces Per Ply (lbs) Chords Tens.Comp. Chords Tens. Comp. B - G 738 -179 G - F 725 -181 Maximum Web Forces Per Ply (lbs) Webs Tens.Comp. C - F 199 -800
--	--	--	--	---

Lumber

Top chord: 2x4 SP #2;
Bot chord: 2x4 SP #2;
Webs: 2x4 SP #3;

Special Loads

---(Lumber Dur.Fac.=1.25 / Plate Dur.Fac.=1.25)
TC: From -0 plf at -1.41 to 61 plf at 0.00
TC: From 2 plf at 0.00 to 2 plf at 9.90
BC: From 0 plf at -1.41 to 4 plf at 0.00
BC: From 2 plf at 0.00 to 2 plf at 9.90
TC: -9 lb Conc. Load at 1.48
TC: 143 lb Conc. Load at 4.31
TC: 265 lb Conc. Load at 7.13
BC: 20 lb Conc. Load at 1.48
BC: 104 lb Conc. Load at 4.31
BC: 182 lb Conc. Load at 7.13

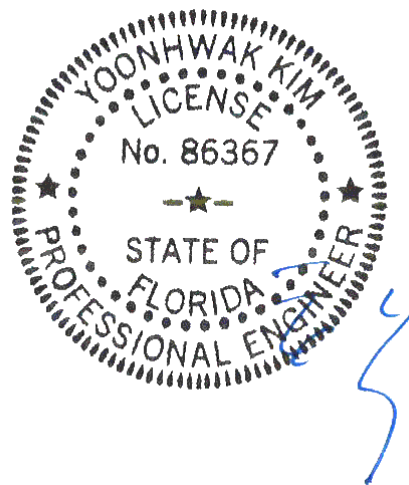
Wind

Wind loads and reactions based on MWFRS.
Wind loading based on both gable and hip roof types.

Additional Notes

The overall height of this truss excluding overhang is 3-9-14.

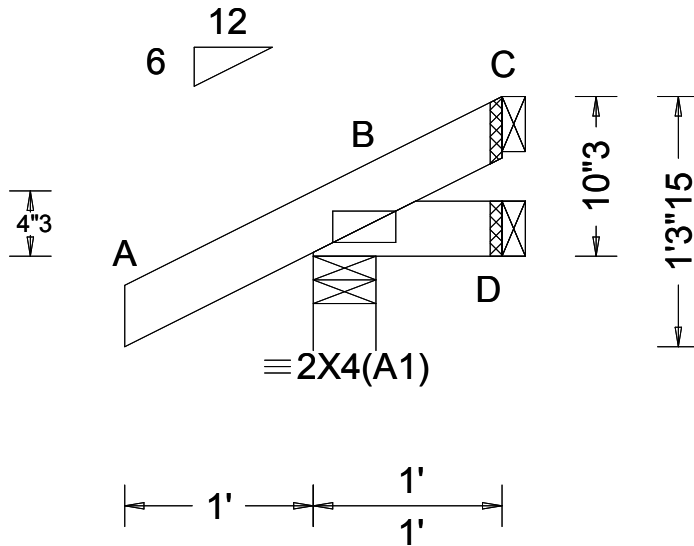
It is the responsibility of the Building Designer and Truss Fabricator to review this drawing prior to cutting lumber to verify that all data, including dimensions and loads, conform to the architectural plans/specifications and fabricators truss layout.



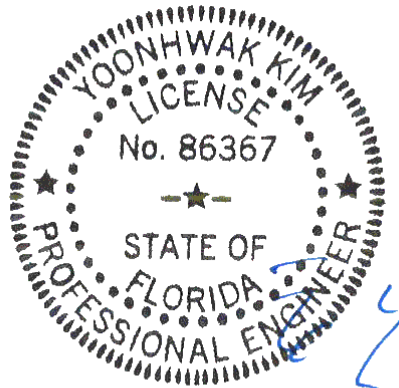
FL REG# 278, Yoonhwak Kim, FL PE #86367
02/28/2022

****WARNING** READ AND FOLLOW ALL NOTES ON THIS DRAWING!**
****IMPORTANT** FURNISH THIS DRAWING TO ALL CONTRACTORS INCLUDING THE INSTALLERS**
Trusses require extreme care in fabricating, handling, shipping, installing and bracing. Refer to and follow the latest edition of BCSI (Building Component Safety Information, by TPI and SBCA) for safety practices prior to performing these functions. Installers shall provide temporary bracing per BCSI. Unless noted otherwise, top chord shall have properly attached structural sheathing and bottom chord shall have a properly attached rigid ceiling. Locations shown for permanent lateral restraint of webs shall have bracing installed per BCSI sections B3, B7, or B10, as applicable. Apply plates to each face of truss and position as shown above and on the Joint Details, unless noted otherwise. Refer to drawings 160A-Z for standard plate positions. Refer to job's General Notes page for additional information.
Alpine, a division of ITW Building Components Group Inc. shall not be responsible for any deviation from this drawing, any failure to build the truss in conformance with ANSI/TPI 1, or for handling, shipping, installation and bracing of trusses. A seal on this drawing or cover page listing this drawing, indicates acceptance of professional engineering responsibility solely for the design shown. The suitability and use of this drawing for any structure is the responsibility of the Building Designer per ANSI/TPI 1 Sec.2.
For more information see these web sites: Alpine: alpineitw.com; TPI: tpinst.org; SBCA: sbccomponents.com; ICC: iccsafe.org; AWC: awc.org





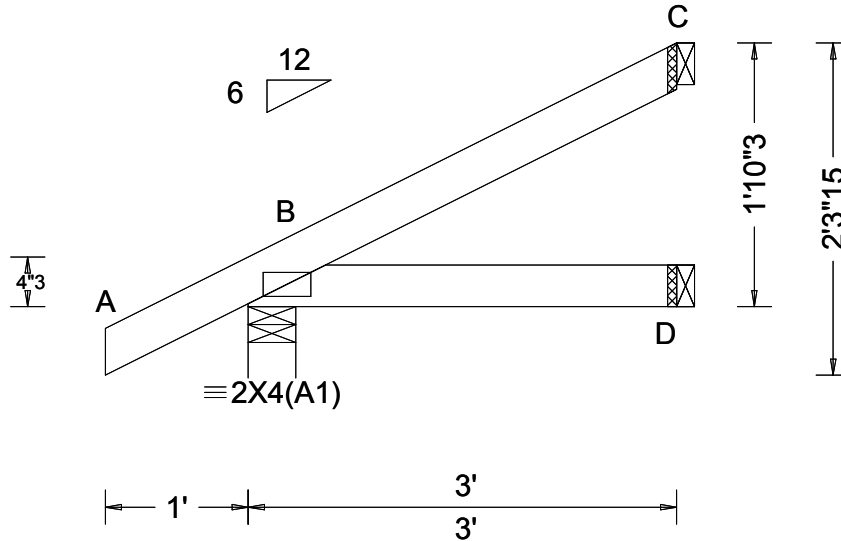
Loading Criteria (psf) TCCL: 20.00 TCCL: 10.00 BCLL: 0.00 BCDL: 10.00 Des Ld: 40.00 NCBCLL: 10.00 Soffit: 2.00 Load Duration: 1.25 Spacing: 24.0 "	Wind Criteria Wind Std: ASCE 7-16 Speed: 130 mph Enclosure: Closed Risk Category: II EXP: C Kzt: NA Mean Height: 15.00 ft TCCL: 5.0 psf BCDL: 5.0 psf MWFRS Parallel Dist: 0 to h/2 C&C Dist a: 3.00 ft Loc. from endwall: Any GCp: 0.18 Wind Duration: 1.60	Snow Criteria (Pg,Pf in PSF) Pg: NA Ct: NA CAT: NA Pf: NA Ce: NA Lu: NA Cs: NA Snow Duration: NA Building Code: FBC 7th Ed. 2020 Res. TPI Std: 2014 Rep Fac: Yes FT/RT:20(0)/10(0) Plate Type(s): WAVE	Defl/CSI Criteria PP Deflection in loc L/def L/# VERT(LL): NA VERT(CL): NA HORZ(LL): -0.000 B - - HORZ(TL): 0.000 B - - Creep Factor: 2.0 Max TC CSI: 0.112 Max BC CSI: 0.013 Max Web CSI: 0.000 VIEW Ver: 21.01.01A.0521.20	▲ Maximum Reactions (lbs) <table border="1"> <thead> <tr> <th rowspan="2">Loc</th> <th colspan="3">Gravity</th> <th colspan="3">Non-Gravity</th> </tr> <tr> <th>R+</th> <th>/R-</th> <th>/Rh</th> <th>/Rw</th> <th>/U</th> <th>/RL</th> </tr> </thead> <tbody> <tr> <td>B</td> <td>166</td> <td>/-</td> <td>/-</td> <td>/126</td> <td>/35</td> <td>/31</td> </tr> <tr> <td>D</td> <td>10</td> <td>/-2</td> <td>/-</td> <td>/9</td> <td>/5</td> <td>/-</td> </tr> <tr> <td>C</td> <td>-</td> <td>/-14</td> <td>/-</td> <td>/17</td> <td>/20</td> <td>/-</td> </tr> </tbody> </table> Wind reactions based on MWFRS B Brg Wid = 4.0 Min Req = 1.5 D Brg Wid = 1.5 C Brg Wid = 1.5 Bearing B is a rigid surface. Members not listed have forces less than 375#	Loc	Gravity			Non-Gravity			R+	/R-	/Rh	/Rw	/U	/RL	B	166	/-	/-	/126	/35	/31	D	10	/-2	/-	/9	/5	/-	C	-	/-14	/-	/17	/20	/-
				Loc		Gravity			Non-Gravity																													
R+	/R-	/Rh	/Rw		/U	/RL																																
B	166	/-	/-	/126	/35	/31																																
D	10	/-2	/-	/9	/5	/-																																
C	-	/-14	/-	/17	/20	/-																																
Lumber Top chord: 2x4 SP #2; Bot chord: 2x4 SP #2; Wind Wind loads based on MWFRS with additional C&C member design. Wind loading based on both gable and hip roof types. Additional Notes The overall height of this truss excluding overhang is 0-10-3.																																						



FL REG# 278, Yoonhwak Kim, FL PE #86367
02/28/2022

****WARNING** READ AND FOLLOW ALL NOTES ON THIS DRAWING!**
****IMPORTANT** FURNISH THIS DRAWING TO ALL CONTRACTORS INCLUDING THE INSTALLERS**
 Trusses require extreme care in fabricating, handling, shipping, installing and bracing. Refer to and follow the latest edition of BCSI (Building Component Safety Information, by TPI and SBCA) for safety practices prior to performing these functions. Installers shall provide temporary bracing per BCSI. Unless noted otherwise, top chord shall have properly attached structural sheathing and bottom chord shall have a properly attached rigid ceiling. Locations shown for permanent lateral restraint of webs shall have bracing installed per BCSI sections B3, B7, or B10, as applicable. Apply plates to each face of truss and position as shown above and on the Joint Details, unless noted otherwise. Refer to drawings 160A-Z for standard plate positions. Refer to job's General Notes page for additional information.
 Alpine, a division of ITW Building Components Group Inc. shall not be responsible for any deviation from this drawing, any failure to build the truss in conformance with ANSI/TPI 1, or for handling, shipping, installation and bracing of trusses. A seal on this drawing or cover page listing this drawing, indicates acceptance of professional engineering responsibility solely for the design shown. The suitability and use of this drawing for any structure is the responsibility of the Building Designer per ANSI/TPI 1 Sec.2.
 For more information see these web sites: Alpine: alpineitw.com; TPI: tpinst.org; SBCA: sbccomponents.com; ICC: iccsafe.org; AWC: awc.org





Loading Criteria (psf)	Wind Criteria	Snow Criteria (Pg,Pf in PSF)	Defl/CSI Criteria	▲ Maximum Reactions (lbs)						
				Gravity			Non-Gravity			
TCLL: 20.00	Wind Std: ASCE 7-16	Pg: NA Ct: NA CAT: NA	PP Deflection in loc L/def L/#	Loc	R+	/R-	/Rh	/Rw	/U	/RL
TCDL: 10.00	Speed: 130 mph	Pf: NA Ce: NA	VERT(LL): NA	B	212	-	-	/148	/28	/66
BCLL: 0.00	Enclosure: Closed	Lu: NA Cs: NA	VERT(CL): NA	D	52	-	-	/28	-	-
BCDL: 10.00	Risk Category: II	Snow Duration: NA	HORZ(LL): 0.001 B - -	C	72	-	-	/44	/37	-
Des Ld: 40.00	EXP: C Kzt: NA	Building Code:	HORZ(TL): 0.001 B - -	Wind reactions based on MWFRS						
NCBCLL: 10.00	Mean Height: 15.00 ft	FBC 7th Ed. 2020 Res.	Creep Factor: 2.0	B Brg Wid = 4.0 Min Req = 1.5						
Soffit: 2.00	TCDL: 5.0 psf	TPI Std: 2014	Max TC CSI: 0.123	D Brg Wid = 1.5						
Load Duration: 1.25	BCDL: 5.0 psf	Rep Fac: Yes	Max BC CSI: 0.071	C Brg Wid = 1.5						
Spacing: 24.0 "	MWFRS Parallel Dist: 0 to h/2	FT/RT:20(0)/10(0)	Max Web CSI: 0.000	Bearing B is a rigid surface.						
	C&C Dist a: 3.00 ft	Plate Type(s):	VIEW Ver: 21.01.01A.0521.20	Members not listed have forces less than 375#						
	Loc. from endwall: Any	WAVE								
	GCp: 0.18									
	Wind Duration: 1.60									

Lumber

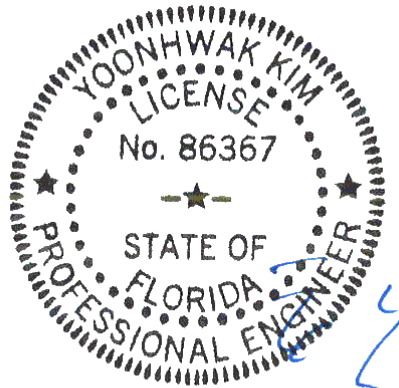
Top chord: 2x4 SP #2;
Bot chord: 2x4 SP #2;

Wind

Wind loads based on MWFRS with additional C&C member design.
Wind loading based on both gable and hip roof types.

Additional Notes

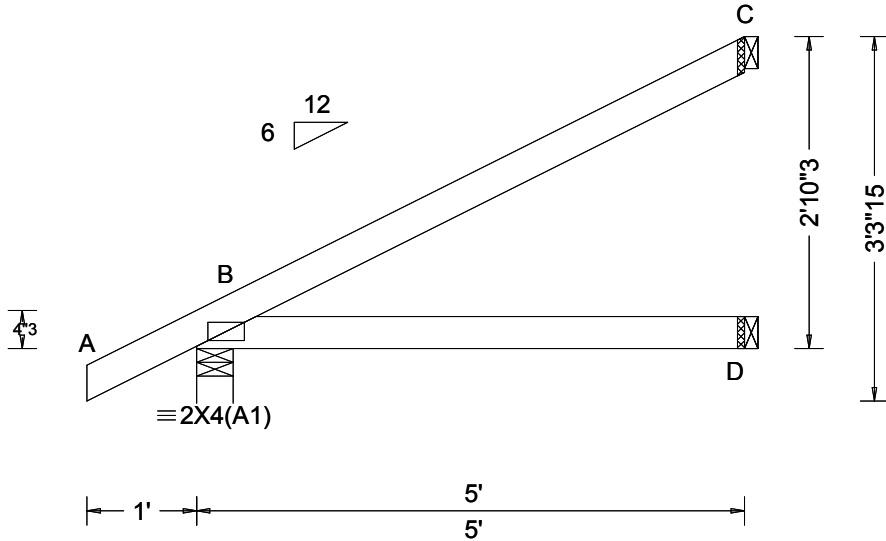
The overall height of this truss excluding overhang is 1-10-3.



FL REG# 278, Yoonhwak Kim, FL PE #86367
02/28/2022

****WARNING** READ AND FOLLOW ALL NOTES ON THIS DRAWING!**
****IMPORTANT** FURNISH THIS DRAWING TO ALL CONTRACTORS INCLUDING THE INSTALLERS**
Trusses require extreme care in fabricating, handling, shipping, installing and bracing. Refer to and follow the latest edition of BCSI (Building Component Safety Information, by TPI and SBCA) for safety practices prior to performing these functions. Installers shall provide temporary bracing per BCSI. Unless noted otherwise, top chord shall have properly attached structural sheathing and bottom chord shall have a properly attached rigid ceiling. Locations shown for permanent lateral restraint of webs shall have bracing installed per BCSI sections B3, B7, or B10, as applicable. Apply plates to each face of truss and position as shown above and on the Joint Details, unless noted otherwise. Refer to drawings 160A-Z for standard plate positions. Refer to job's General Notes page for additional information.
Alpine, a division of ITW Building Components Group Inc. shall not be responsible for any deviation from this drawing, any failure to build the truss in conformance with ANSI/TPI 1, or for handling, shipping, installation and bracing of trusses. A seal on this drawing or cover page listing this drawing, indicates acceptance of professional engineering responsibility solely for the design shown. The suitability and use of this drawing for any structure is the responsibility of the Building Designer per ANSI/TPI 1 Sec.2.
For more information see these web sites: Alpine: alpineitw.com; TPI: tpinst.org; SBCA: sbcacomponents.com; ICC: iccsafe.org; AWC: awc.org





Loading Criteria (psf) TCLL: 20.00 TCCL: 10.00 BCCL: 0.00 BCDL: 10.00 Des Ld: 40.00 NCBCLL: 10.00 Soffit: 2.00 Load Duration: 1.25 Spacing: 24.0 "	Wind Criteria Wind Std: ASCE 7-16 Speed: 130 mph Enclosure: Closed Risk Category: II EXP: C Kzt: NA Mean Height: 15.00 ft TCCL: 5.0 psf BCDL: 5.0 psf MWFRS Parallel Dist: 0 to h/2 C&C Dist a: 3.00 ft Loc. from endwall: not in 4.50 ft GCp: 0.18 Wind Duration: 1.60	Snow Criteria (Pg,Pf in PSF) Pg: NA Ct: NA CAT: NA Pf: NA Ce: NA Lu: NA Cs: NA Snow Duration: NA Building Code: FBC 7th Ed. 2020 Res. TPI Std: 2014 Rep Fac: Yes FT/RT:20(0)/10(0) Plate Type(s): WAVE	Defl/CSI Criteria PP Deflection in loc L/def L/# VERT(LL): NA VERT(CL): NA HORZ(LL): 0.005 B - - HORZ(TL): 0.010 B - - Creep Factor: 2.0 Max TC CSI: 0.336 Max BC CSI: 0.243 Max Web CSI: 0.000 VIEW Ver: 21.01.01A.0521.20	▲ Maximum Reactions (lbs) <table border="1"> <thead> <tr> <th rowspan="2">Loc</th> <th colspan="3">Gravity</th> <th colspan="3">Non-Gravity</th> </tr> <tr> <th>R+</th> <th>/R-</th> <th>/Rh</th> <th>/Rw</th> <th>/U</th> <th>/RL</th> </tr> </thead> <tbody> <tr> <td>B</td> <td>288</td> <td>/-</td> <td>/-</td> <td>/195</td> <td>/31</td> <td>/102</td> </tr> <tr> <td>D</td> <td>91</td> <td>/-</td> <td>/-</td> <td>/52</td> <td>/-</td> <td>/-</td> </tr> <tr> <td>C</td> <td>133</td> <td>/-</td> <td>/-</td> <td>/84</td> <td>/66</td> <td>/-</td> </tr> </tbody> </table>	Loc	Gravity			Non-Gravity			R+	/R-	/Rh	/Rw	/U	/RL	B	288	/-	/-	/195	/31	/102	D	91	/-	/-	/52	/-	/-	C	133	/-	/-	/84	/66	/-
				Loc		Gravity			Non-Gravity																													
R+	/R-	/Rh	/Rw		/U	/RL																																
B	288	/-	/-	/195	/31	/102																																
D	91	/-	/-	/52	/-	/-																																
C	133	/-	/-	/84	/66	/-																																
Wind reactions based on MWFRS B Brg Wid = 4.0 Min Req = 1.5 D Brg Wid = 1.5 C Brg Wid = 1.5 Bearing B is a rigid surface. Members not listed have forces less than 375#																																						

Lumber

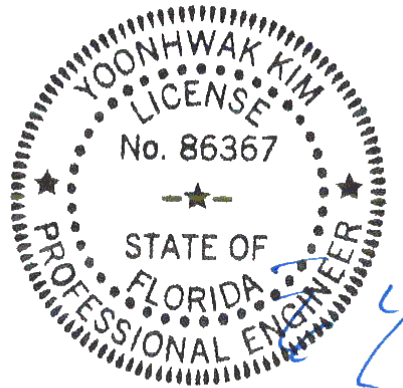
Top chord: 2x4 SP #2;
 Bot chord: 2x4 SP #2;

Wind

Wind loads based on MWFRS with additional C&C member design.
 Wind loading based on both gable and hip roof types.

Additional Notes

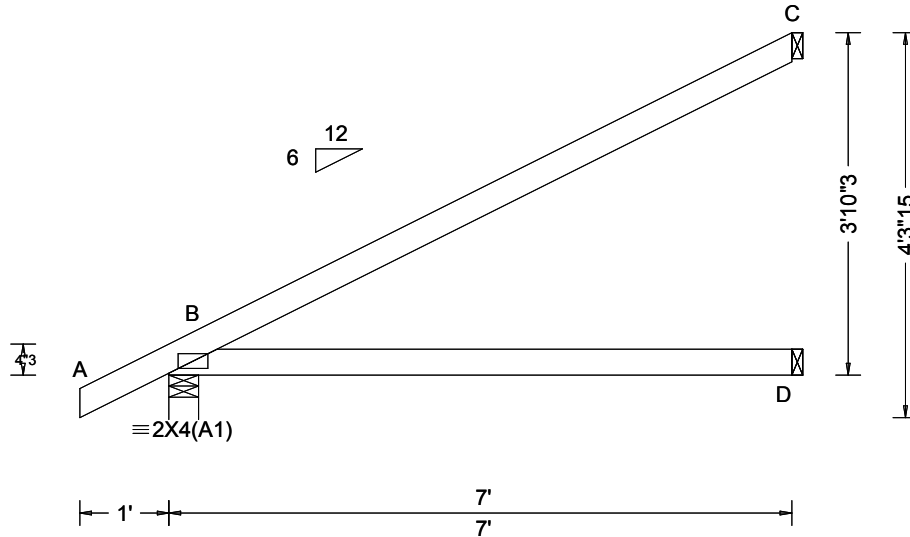
The overall height of this truss excluding overhang is 2-10-3.



FL REG# 278, Yoonhwak Kim, FL PE #86367
 02/28/2022

****WARNING** READ AND FOLLOW ALL NOTES ON THIS DRAWING!**
****IMPORTANT** FURNISH THIS DRAWING TO ALL CONTRACTORS INCLUDING THE INSTALLERS**
 Trusses require extreme care in fabricating, handling, shipping, installing and bracing. Refer to and follow the latest edition of BCSI (Building Component Safety Information, by TPI and SBCA) for safety practices prior to performing these functions. Installers shall provide temporary bracing per BCSI. Unless noted otherwise, top chord shall have properly attached structural sheathing and bottom chord shall have a properly attached rigid ceiling. Locations shown for permanent lateral restraint of webs shall have bracing installed per BCSI sections B3, B7, or B10, as applicable. Apply plates to each face of truss and position as shown above and on the Joint Details, unless noted otherwise. Refer to drawings 160A-Z for standard plate positions. Refer to job's General Notes page for additional information.
 Alpine, a division of ITW Building Components Group Inc. shall not be responsible for any deviation from this drawing, any failure to build the truss in conformance with ANSI/TPI 1, or for handling, shipping, installation and bracing of trusses. A seal on this drawing or cover page listing this drawing, indicates acceptance of professional engineering responsibility solely for the design shown. The suitability and use of this drawing for any structure is the responsibility of the Building Designer per ANSI/TPI 1 Sec.2.
 For more information see these web sites: Alpine: alpineitw.com; TPI: tpinst.org; SBCA: sbccomponents.com; ICC: iccsafe.org; AWC: awc.org





Loading Criteria (psf) TCCL: 20.00 TCCL: 10.00 BCLL: 0.00 BCDL: 10.00 Des Ld: 40.00 NCBCLL: 10.00 Soffit: 2.00 Load Duration: 1.25 Spacing: 24.0 "	Wind Criteria Wind Std: ASCE 7-16 Speed: 130 mph Enclosure: Closed Risk Category: II EXP: C Kzt: NA Mean Height: 15.00 ft TCCL: 5.0 psf BCDL: 5.0 psf MWFRS Parallel Dist: 0 to h/2 C&C Dist a: 3.00 ft Loc. from endwall: not in 4.50 ft GCp: 0.18 Wind Duration: 1.60	Snow Criteria (Pg,Pf in PSF) Pg: NA Ct: NA CAT: NA Pf: NA Ce: NA Lu: NA Cs: NA Snow Duration: NA Building Code: FBC 7th Ed. 2020 Res. TPI Std: 2014 Rep Fac: Yes FT/RT:20(0)/10(0) Plate Type(s): WAVE	Defl/CSI Criteria PP Deflection in loc L/def L/# VERT(LL): NA VERT(CL): NA HORZ(LL): 0.015 B - - HORZ(TL): 0.031 B - - Creep Factor: 2.0 Max TC CSI: 0.740 Max BC CSI: 0.522 Max Web CSI: 0.000 VIEW Ver: 21.01.01A.0521.20	▲ Maximum Reactions (lbs)																														
				<table border="1"> <thead> <tr> <th rowspan="2">Loc</th> <th colspan="3">Gravity</th> <th colspan="3">Non-Gravity</th> </tr> <tr> <th>R+</th> <th>/R-</th> <th>/Rh</th> <th>/Rw</th> <th>/U</th> <th>/RL</th> </tr> </thead> <tbody> <tr> <td>B</td> <td>368</td> <td>-</td> <td>-</td> <td>/245</td> <td>/36</td> <td>/137</td> </tr> <tr> <td>D</td> <td>130</td> <td>-</td> <td>-</td> <td>/75</td> <td>-</td> <td>-</td> </tr> <tr> <td>C</td> <td>191</td> <td>-</td> <td>-</td> <td>/121</td> <td>/95</td> <td>-</td> </tr> </tbody> </table>	Loc	Gravity			Non-Gravity			R+	/R-	/Rh	/Rw	/U	/RL	B	368	-	-	/245	/36	/137	D	130	-	-	/75	-	-	C	191	-
Loc	Gravity			Non-Gravity																														
	R+	/R-	/Rh	/Rw	/U	/RL																												
B	368	-	-	/245	/36	/137																												
D	130	-	-	/75	-	-																												
C	191	-	-	/121	/95	-																												

Lumber

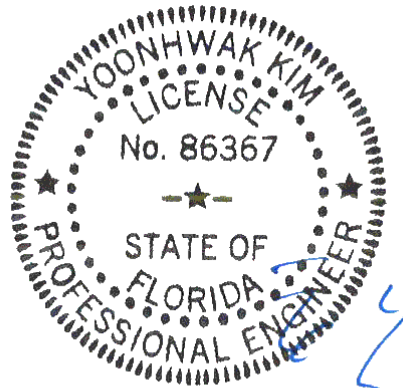
Top chord: 2x4 SP #2;
 Bot chord: 2x4 SP #2;

Wind

Wind loads based on MWFRS with additional C&C member design.
 Wind loading based on both gable and hip roof types.

Additional Notes

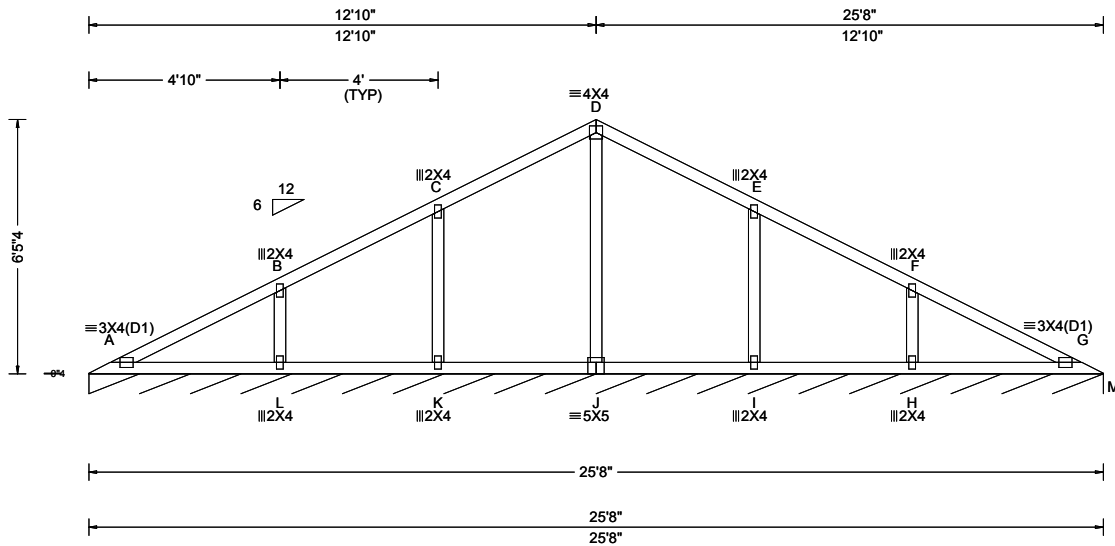
The overall height of this truss excluding overhang is 3-10-3.



FL REG# 278, Yoonhwak Kim, FL PE #86367
 02/28/2022

****WARNING** READ AND FOLLOW ALL NOTES ON THIS DRAWING!**
****IMPORTANT** FURNISH THIS DRAWING TO ALL CONTRACTORS INCLUDING THE INSTALLERS**
 Trusses require extreme care in fabricating, handling, shipping, installing and bracing. Refer to and follow the latest edition of BCSI (Building Component Safety Information, by TPI and SBCA) for safety practices prior to performing these functions. Installers shall provide temporary bracing per BCSI. Unless noted otherwise, top chord shall have properly attached structural sheathing and bottom chord shall have a properly attached rigid ceiling. Locations shown for permanent lateral restraint of webs shall have bracing installed per BCSI sections B3, B7, or B10, as applicable. Apply plates to each face of truss and position as shown above and on the Joint Details, unless noted otherwise. Refer to drawings 160A-Z for standard plate positions. Refer to job's General Notes page for additional information.
 Alpine, a division of ITW Building Components Group Inc. shall not be responsible for any deviation from this drawing, any failure to build the truss in conformance with ANSI/TPI 1, or for handling, shipping, installation and bracing of trusses. A seal on this drawing or cover page listing this drawing, indicates acceptance of professional engineering responsibility solely for the design shown. The suitability and use of this drawing for any structure is the responsibility of the Building Designer per ANSI/TPI 1 Sec.2.
 For more information see these web sites: Alpine: alpineitw.com; TPI: tpinst.org; SBCA: sbccomponents.com; ICC: iccsafe.org; AWC: awc.org





Loading Criteria (psf) TCLL: 20.00 TCDL: 10.00 BCLL: 0.00 BCDL: 10.00 Des Ld: 40.00 NCBCLL: 10.00 Soffit: 2.00 Load Duration: 1.25 Spacing: 24.0 "	Wind Criteria Wind Std: ASCE 7-16 Speed: 130 mph Enclosure: Closed Risk Category: II EXP: C Kzt: NA Mean Height: 15.00 ft TCDL: 5.0 psf BCDL: 5.0 psf MWFRS Parallel Dist: 0 to h/2 C&C Dist a: 3.00 ft Loc. from endwall: Any GCpi: 0.18 Wind Duration: 1.60	Snow Criteria (Pg,Pf in PSF) Pg: NA Ct: NA CAT: NA Pf: NA Ce: NA Lu: NA Cs: NA Snow Duration: NA Building Code: FBC 7th Ed. 2020 Res. TPI Std: 2014 Rep Fac: Yes FT/RT:20(0)/10(0) Plate Type(s): WAVE	Defl/CSI Criteria PP Deflection in loc L/def L/# VERT(LL): 0.012 A 999 240 VERT(CL): 0.025 A 999 180 HORZ(LL): 0.004 A - - HORZ(TL): 0.008 A - - Creep Factor: 2.0 Max TC CSI: 0.275 Max BC CSI: 0.192 Max Web CSI: 0.207 VIEW Ver: 21.01.01A.0521.20	▲ Maximum Reactions (lbs), or *=PLF Gravity Non-Gravity Loc R+ / R- / Rh / Rw / U / RL M* 82 /- /- /42 /13 /6 Wind reactions based on MWFRS M Brg Wid = 308 Min Req = - Bearing A is a rigid surface. Members not listed have forces less than 375#
--	---	--	--	---

Lumber

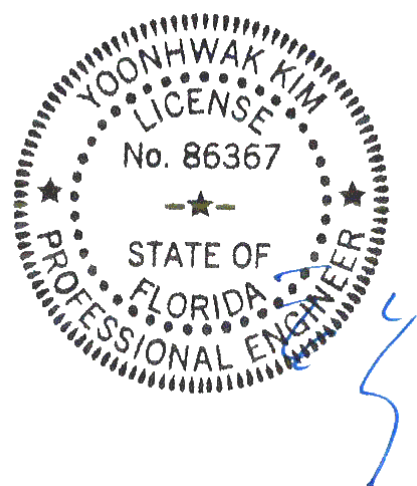
Top chord: 2x4 SP #2;
Bot chord: 2x4 SP #2;
Webs: 2x4 SP #3;

Wind

Wind loads based on MWFRS with additional C&C member design.
Wind loading based on both gable and hip roof types.

Additional Notes

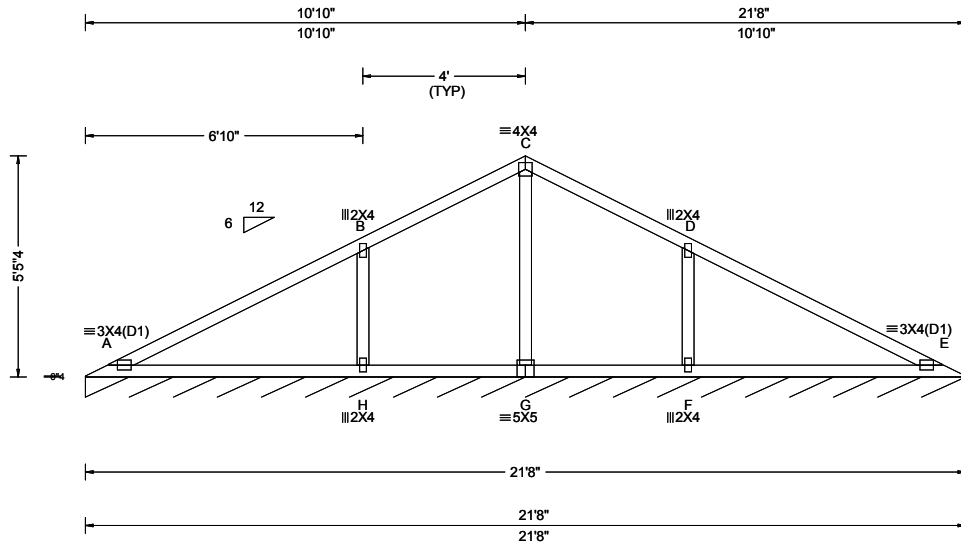
See DWGS VALTN160118 and VAL180160118 for valley details.
The overall height of this truss excluding overhang is 6-5-4.



FL REG# 278, Yoonhwak Kim, FL PE #86367
02/28/2022

****WARNING** READ AND FOLLOW ALL NOTES ON THIS DRAWING!**
****IMPORTANT** FURNISH THIS DRAWING TO ALL CONTRACTORS INCLUDING THE INSTALLERS**
Trusses require extreme care in fabricating, handling, shipping, installing and bracing. Refer to and follow the latest edition of BCSI (Building Component Safety Information, by TPI and SBCA) for safety practices prior to performing these functions. Installers shall provide temporary bracing per BCSI. Unless noted otherwise, top chord shall have properly attached structural sheathing and bottom chord shall have a properly attached rigid ceiling. Locations shown for permanent lateral restraint of webs shall have bracing installed per BCSI sections B3, B7, or B10, as applicable. Apply plates to each face of truss and position as shown above and on the Joint Details, unless noted otherwise. Refer to drawings 160A-Z for standard plate positions. Refer to job's General Notes page for additional information.
Alpine, a division of ITW Building Components Group Inc. shall not be responsible for any deviation from this drawing, any failure to build the truss in conformance with ANSI/TPI 1, or for handling, shipping, installation and bracing of trusses. A seal on this drawing or cover page listing this drawing, indicates acceptance of professional engineering responsibility solely for the design shown. The suitability and use of this drawing for any structure is the responsibility of the Building Designer per ANSI/TPI 1 Sec.2.
For more information see these web sites: Alpine: alpineitw.com; TPI: tpinst.org; SBCA: sbcacomponents.com; ICC: iccsafe.org; AWC: awc.org



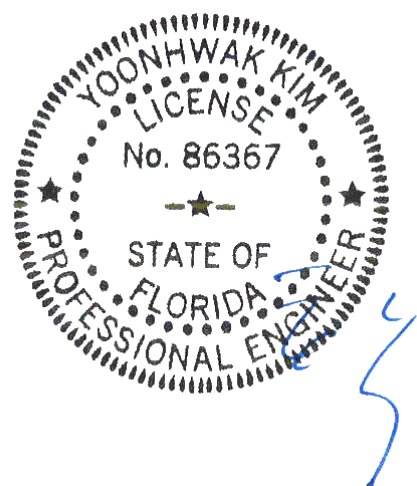


Loading Criteria (psf)	Wind Criteria	Snow Criteria (Pg, Pf in PSF)	Defl/CSI Criteria	▲ Maximum Reactions (lbs), or *=PLF
TCLL: 20.00 TCDL: 10.00 BCLL: 0.00 BCDL: 10.00 Des Ld: 40.00 NCBCLL: 10.00 Soffit: 2.00 Load Duration: 1.25 Spacing: 24.0 "	Wind Std: ASCE 7-16 Speed: 130 mph Enclosure: Closed Risk Category: II EXP: C Kzt: NA Mean Height: 15.00 ft TCDL: 5.0 psf BCDL: 5.0 psf MWFRS Parallel Dist: 0 to h/2 C&C Dist a: 3.00 ft Loc. from endwall: Any GCp1: 0.18 Wind Duration: 1.60	Pg: NA Ct: NA CAT: NA Pf: NA Ce: NA Lu: NA Cs: NA Snow Duration: NA Building Code: FBC 7th Ed. 2020 Res. TPI Std: 2014 Rep Fac: Yes FT/RT: 20(0)/10(0) Plate Type(s): WAVE	PP Deflection in loc L/def L/# VERT(LL): 0.033 A 999 240 VERT(CL): 0.068 A 999 180 HORZ(LL): 0.011 A - - HORZ(TL): 0.024 A - - Creep Factor: 2.0 Max TC CSI: 0.608 Max BC CSI: 0.356 Max Web CSI: 0.229 VIEW Ver: 21.01.01A.0521.20	Gravity Loc R+ / R- / Rh / Rw / U / RL I* 82 /- /- /42 /13 /6 Wind reactions based on MWFRS I Brg Wid = 260 Min Req = - Bearing A is a rigid surface. Members not listed have forces less than 375# Maximum Top Chord Forces Per Ply (lbs) Chords Tens.Comp. Chords Tens. Comp. A - B 413 -181 D - E 413 -181 Maximum Web Forces Per Ply (lbs) Webs Tens.Comp. Webs Tens. Comp. B - H 352 -390 F - D 352 -390 C - G 124 -441

Lumber
Top chord: 2x4 SP #2;
Bot chord: 2x4 SP #2;
Webs: 2x4 SP #3;

Wind
Wind loads based on MWFRS with additional C&C member design.
Wind loading based on both gable and hip roof types.

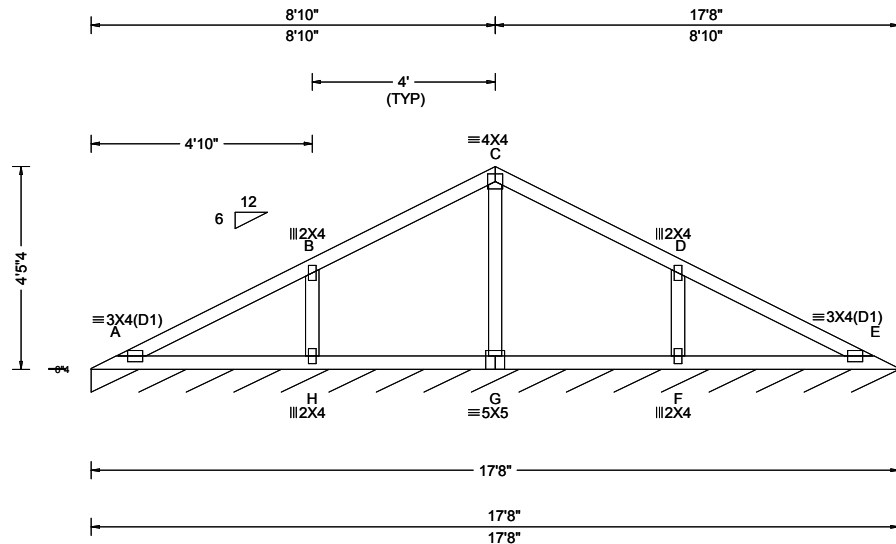
Additional Notes
See DWGS VALTN160118 and VAL180160118 for valley details.
The overall height of this truss excluding overhang is 5-5-4.



FL REG# 278, Yoonhwak Kim, FL PE #86367
02/28/2022

****WARNING** READ AND FOLLOW ALL NOTES ON THIS DRAWING!**
****IMPORTANT** FURNISH THIS DRAWING TO ALL CONTRACTORS INCLUDING THE INSTALLERS**
Trusses require extreme care in fabricating, handling, shipping, installing and bracing. Refer to and follow the latest edition of BCSI (Building Component Safety Information, by TPI and SBCA) for safety practices prior to performing these functions. Installers shall provide temporary bracing per BCSI. Unless noted otherwise, top chord shall have properly attached structural sheathing and bottom chord shall have a properly attached rigid ceiling. Locations shown for permanent lateral restraint of webs shall have bracing installed per BCSI sections B3, B7, or B10, as applicable. Apply plates to each face of truss and position as shown above and on the Joint Details, unless noted otherwise. Refer to drawings 160A-Z for standard plate positions. Refer to job's General Notes page for additional information.
Alpine, a division of ITW Building Components Group Inc. shall not be responsible for any deviation from this drawing, any failure to build the truss in conformance with ANSI/TPI 1, or for handling, shipping, installation and bracing of trusses. A seal on this drawing or cover page listing this drawing, indicates acceptance of professional engineering responsibility solely for the design shown. The suitability and use of this drawing for any structure is the responsibility of the Building Designer per ANSI/TPI 1 Sec.2.
For more information see these web sites: Alpine: alpineitw.com; TPI: tpinst.org; SBCA: sbccomponents.com; ICC: iccsafe.org; AWC: awc.org





Loading Criteria (psf)	Wind Criteria	Snow Criteria (Pg,Pf in PSF)	Defl/CSI Criteria	▲ Maximum Reactions (lbs), or *=PLF
TCLL: 20.00 TCDL: 10.00 BCLL: 0.00 BCDL: 10.00 Des Ld: 40.00 NCBCLL: 10.00 Soffit: 2.00 Load Duration: 1.25 Spacing: 24.0 "	Wind Std: ASCE 7-16 Speed: 130 mph Enclosure: Closed Risk Category: II EXP: C Kzt: NA Mean Height: 15.00 ft TCDL: 5.0 psf BCDL: 5.0 psf MWFRS Parallel Dist: 0 to h/2 C&C Dist a: 3.00 ft Loc. from endwall: not in 4.50 ft GCp: 0.18 Wind Duration: 1.60	Pg: NA Ct: NA CAT: NA Pf: NA Ce: NA Lu: NA Cs: NA Snow Duration: NA Building Code: FBC 7th Ed. 2020 Res. TPI Std: 2014 Rep Fac: Yes FT/RT:20(0)/10(0) Plate Type(s): WAVE	PP Deflection in loc L/def L/# VERT(LL): 0.011 A 999 240 VERT(CL): 0.022 A 999 180 HORZ(LL): 0.004 A - - HORZ(TL): 0.007 A - - Creep Factor: 2.0 Max TC CSI: 0.349 Max BC CSI: 0.191 Max Web CSI: 0.105 VIEW Ver: 21.01.01A.0521.20	Gravity Loc R+ / R- / Rh / Rw / U / RL Non-Gravity /42 /12 /6 Wind reactions based on MWFRS I Brg Wid = 212 Min Req = - Bearing A is a rigid surface. Members not listed have forces less than 375#

Lumber

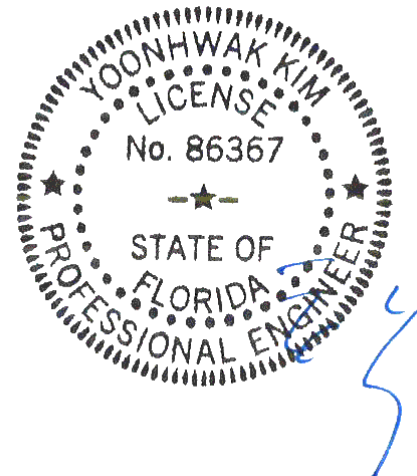
Top chord: 2x4 SP #2;
Bot chord: 2x4 SP #2;
Webs: 2x4 SP #3;

Wind

Wind loads based on MWFRS with additional C&C member design.
Wind loading based on both gable and hip roof types.

Additional Notes

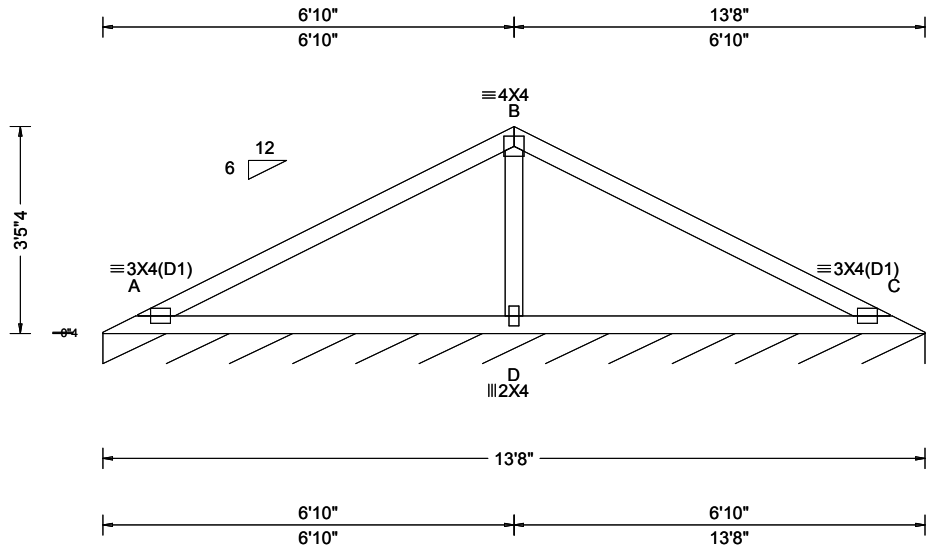
See DWGS VALTN160118 and VAL180160118 for valley details.
The overall height of this truss excluding overhang is 4-5-4.



FL REG# 278, Yoonhwak Kim, FL PE #86367
02/28/2022

****WARNING** READ AND FOLLOW ALL NOTES ON THIS DRAWING!**
****IMPORTANT** FURNISH THIS DRAWING TO ALL CONTRACTORS INCLUDING THE INSTALLERS**
Trusses require extreme care in fabricating, handling, shipping, installing and bracing. Refer to and follow the latest edition of BCSI (Building Component Safety Information, by TPI and SBCA) for safety practices prior to performing these functions. Installers shall provide temporary bracing per BCSI. Unless noted otherwise, top chord shall have properly attached structural sheathing and bottom chord shall have a properly attached rigid ceiling. Locations shown for permanent lateral restraint of webs shall have bracing installed per BCSI sections B3, B7, or B10, as applicable. Apply plates to each face of truss and position as shown above and on the Joint Details, unless noted otherwise. Refer to drawings 160A-Z for standard plate positions. Refer to job's General Notes page for additional information.
Alpine, a division of ITW Building Components Group Inc. shall not be responsible for any deviation from this drawing, any failure to build the truss in conformance with ANSI/TPI 1, or for handling, shipping, installation and bracing of trusses. A seal on this drawing or cover page listing this drawing, indicates acceptance of professional engineering responsibility solely for the design shown. The suitability and use of this drawing for any structure is the responsibility of the Building Designer per ANSI/TPI 1 Sec.2.
For more information see these web sites: Alpine: alpineitw.com; TPI: tpinst.org; SBCA: sbccomponents.com; ICC: iccsafe.org; AWC: awc.org



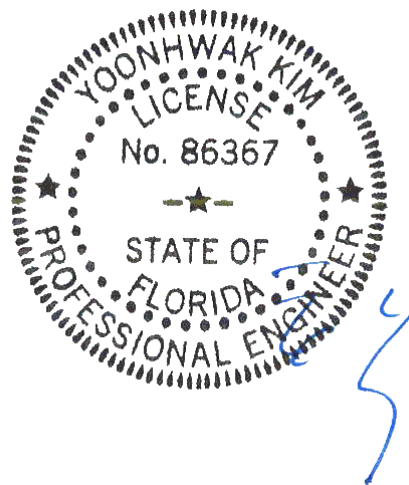


Loading Criteria (psf)	Wind Criteria	Snow Criteria (Pg,Pf in PSF)	Defl/CSI Criteria	▲ Maximum Reactions (lbs), or *=PLF																																																																																																																																																																																	
TCLL: 20.00 TCCL: 10.00 BCCL: 0.00 BCDL: 10.00 Des Ld: 40.00 NCBCLL: 10.00 Soffit: 2.00 Load Duration: 1.25 Spacing: 24.0 "	Wind Std: ASCE 7-16 Speed: 130 mph Enclosure: Closed Risk Category: II EXP: C Kzt: NA Mean Height: 15.00 ft TCCL: 5.0 psf BCDL: 5.0 psf MWFRS Parallel Dist: 0 to h/2 C&C Dist a: 3.00 ft Loc. from endwall: not in 4.50 ft GCp: 0.18 Wind Duration: 1.60	Pg: NA Ct: NA CAT: NA Pf: NA Ce: NA Lu: NA Cs: NA Snow Duration: NA Building Code: FBC 7th Ed. 2020 Res. TPI Std: 2014 Rep Fac: Yes FT/RT:20(0)/10(0) Plate Type(s): WAVE	PP Deflection in loc L/def L/# VERT(LL): 0.038 A 999 240 VERT(CL): 0.077 A 999 180 HORZ(LL): -0.015 C - - HORZ(TL): 0.031 C - - Creep Factor: 2.0 Max TC CSI: 0.670 Max BC CSI: 0.550 Max Web CSI: 0.211 VIEW Ver: 21.01.01A.0521.20	<table border="1" style="width:100%; border-collapse: collapse;"> <thead> <tr> <th colspan="6">Gravity</th> <th colspan="3">Non-Gravity</th> </tr> <tr> <th>Loc</th> <th>R+</th> <th>/R-</th> <th>/Rh</th> <th>/Rw</th> <th>/U</th> <th>/RL</th> <th></th> <th></th> </tr> </thead> <tbody> <tr> <td>E*</td> <td>82</td> <td>/-</td> <td>/-</td> <td>/41</td> <td>/12</td> <td>/6</td> <td></td> <td></td> </tr> <tr> <td colspan="9">Wind reactions based on MWFRS</td> </tr> <tr> <td colspan="9">E Brg Wid = 164 Min Req = -</td> </tr> <tr> <td colspan="9">Bearing A is a rigid surface.</td> </tr> <tr> <td colspan="9">Members not listed have forces less than 375#</td> </tr> <tr> <th colspan="9">Maximum Top Chord Forces Per Ply (lbs)</th> </tr> <tr> <th colspan="3">Chords</th> <th colspan="3">Tens.Comp.</th> <th colspan="3">Chords</th> <th colspan="3">Tens. Comp.</th> </tr> <tr> <td colspan="3">A - B</td> <td colspan="3">656</td> <td colspan="3">-321</td> <td colspan="3">B - C</td> <td colspan="3">656</td> <td colspan="3">-331</td> </tr> <tr> <th colspan="9">Maximum Bot Chord Forces Per Ply (lbs)</th> </tr> <tr> <th colspan="3">Chords</th> <th colspan="3">Tens.Comp.</th> <th colspan="3">Chords</th> <th colspan="3">Tens. Comp.</th> </tr> <tr> <td colspan="3">A - D</td> <td colspan="3">373</td> <td colspan="3">-520</td> <td colspan="3">D - C</td> <td colspan="3">373</td> <td colspan="3">-520</td> </tr> <tr> <th colspan="9">Maximum Web Forces Per Ply (lbs)</th> </tr> <tr> <th colspan="3">Webs</th> <th colspan="3">Tens.Comp.</th> <th colspan="3"></th> <th colspan="3"></th> </tr> <tr> <td colspan="3">B - D</td> <td colspan="3">513</td> <td colspan="3">-855</td> <td colspan="3"></td> <td colspan="3"></td> </tr> </tbody> </table>	Gravity						Non-Gravity			Loc	R+	/R-	/Rh	/Rw	/U	/RL			E*	82	/-	/-	/41	/12	/6			Wind reactions based on MWFRS									E Brg Wid = 164 Min Req = -									Bearing A is a rigid surface.									Members not listed have forces less than 375#									Maximum Top Chord Forces Per Ply (lbs)									Chords			Tens.Comp.			Chords			Tens. Comp.			A - B			656			-321			B - C			656			-331			Maximum Bot Chord Forces Per Ply (lbs)									Chords			Tens.Comp.			Chords			Tens. Comp.			A - D			373			-520			D - C			373			-520			Maximum Web Forces Per Ply (lbs)									Webs			Tens.Comp.									B - D			513			-855								
Gravity						Non-Gravity																																																																																																																																																																															
Loc	R+	/R-	/Rh	/Rw	/U	/RL																																																																																																																																																																															
E*	82	/-	/-	/41	/12	/6																																																																																																																																																																															
Wind reactions based on MWFRS																																																																																																																																																																																					
E Brg Wid = 164 Min Req = -																																																																																																																																																																																					
Bearing A is a rigid surface.																																																																																																																																																																																					
Members not listed have forces less than 375#																																																																																																																																																																																					
Maximum Top Chord Forces Per Ply (lbs)																																																																																																																																																																																					
Chords			Tens.Comp.			Chords			Tens. Comp.																																																																																																																																																																												
A - B			656			-321			B - C			656			-331																																																																																																																																																																						
Maximum Bot Chord Forces Per Ply (lbs)																																																																																																																																																																																					
Chords			Tens.Comp.			Chords			Tens. Comp.																																																																																																																																																																												
A - D			373			-520			D - C			373			-520																																																																																																																																																																						
Maximum Web Forces Per Ply (lbs)																																																																																																																																																																																					
Webs			Tens.Comp.																																																																																																																																																																																		
B - D			513			-855																																																																																																																																																																															

Lumber
 Top chord: 2x4 SP #2;
 Bot chord: 2x4 SP #2;
 Webs: 2x4 SP #3;

Wind
 Wind loads based on MWFRS with additional C&C member design.
 Wind loading based on both gable and hip roof types.

Additional Notes
 See DWGS VALTN160118 and VAL180160118 for valley details.
 The overall height of this truss excluding overhang is 3-5-4.



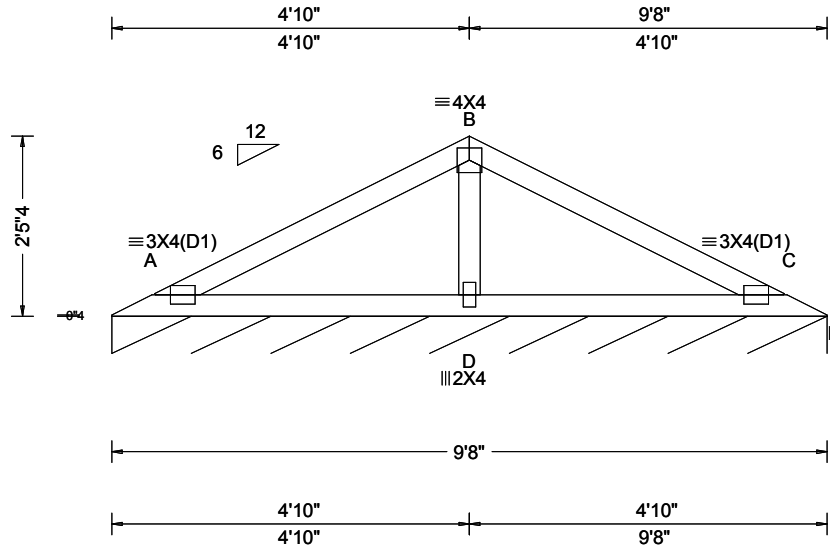
FL REG# 278, Yoonhwak Kim, FL PE #86367
 02/28/2022

****WARNING** READ AND FOLLOW ALL NOTES ON THIS DRAWING!**
****IMPORTANT** FURNISH THIS DRAWING TO ALL CONTRACTORS INCLUDING THE INSTALLERS**
 Trusses require extreme care in fabricating, handling, shipping, installing and bracing. Refer to and follow the latest edition of BCSI (Building Component Safety Information, by TPI and SBCA) for safety practices prior to performing these functions. Installers shall provide temporary bracing per BCSI. Unless noted otherwise, top chord shall have properly attached structural sheathing and bottom chord shall have a properly attached rigid ceiling. Locations shown for permanent lateral restraint of webs shall have bracing installed per BCSI sections B3, B7, or B10, as applicable. Apply plates to each face of truss and position as shown above and on the Joint Details, unless noted otherwise. Refer to drawings 160A-Z for standard plate positions. Refer to job's General Notes page for additional information.

Alpine, a division of ITW Building Components Group Inc. shall not be responsible for any deviation from this drawing, any failure to build the truss in conformance with ANSI/TPI 1, or for handling, shipping, installation and bracing of trusses. A seal on this drawing or cover page listing this drawing, indicates acceptance of professional engineering responsibility solely for the design shown. The suitability and use of this drawing for any structure is the responsibility of the Building Designer per ANSI/TPI 1 Sec.2.

For more information see these web sites: Alpine: alpineitw.com; TPI: tpinst.org; SBCA: sbcacomponents.com; ICC: iccsafe.org; AWC: awc.org





Loading Criteria (psf) TCLL: 20.00 TCDL: 10.00 BCLL: 0.00 BCDL: 10.00 Des Ld: 40.00 NCBCLL: 10.00 Soffit: 2.00 Load Duration: 1.25 Spacing: 24.0 "	Wind Criteria Wind Std: ASCE 7-16 Speed: 130 mph Enclosure: Closed Risk Category: II EXP: C Kzt: NA Mean Height: 15.00 ft TCDL: 5.0 psf BCDL: 5.0 psf MWFRS Parallel Dist: h/2 to h C&C Dist a: 3.00 ft Loc. from endwall: not in 9.00 ft GCp: 0.18 Wind Duration: 1.60	Snow Criteria (Pg,Pf in PSF) Pg: NA Ct: NA CAT: NA Pf: NA Ce: NA Lu: NA Cs: NA Snow Duration: NA Building Code: FBC 7th Ed. 2020 Res. TPI Std: 2014 Rep Fac: Yes FT/RT:20(0)/10(0) Plate Type(s): WAVE	Defl/CSI Criteria PP Deflection in loc L/def L/# VERT(LL): 0.013 A 999 240 VERT(CL): 0.027 A 999 180 HORZ(LL): -0.005 C - - HORZ(TL): 0.011 C - - Creep Factor: 2.0 Max TC CSI: 0.298 Max BC CSI: 0.260 Max Web CSI: 0.105 VIEW Ver: 21.01.01A.0521.20	▲ Maximum Reactions (lbs), or *=PLF Gravity Non-Gravity Loc R+ / R- / Rh / Rw / U / RL E* 82 /- /- /41 /11 /6 Wind reactions based on MWFRS E Brg Wid = 116 Min Req = - Bearing A is a rigid surface. Members not listed have forces less than 375# Maximum Web Forces Per Ply (lbs) Webs Tens.Comp. B - D 354 -481
--	---	--	---	---

Lumber

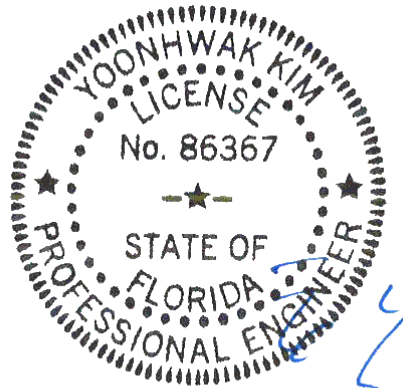
Top chord: 2x4 SP #2;
Bot chord: 2x4 SP #2;
Webs: 2x4 SP #3;

Wind

Wind loads based on MWFRS with additional C&C member design.
Wind loading based on both gable and hip roof types.

Additional Notes

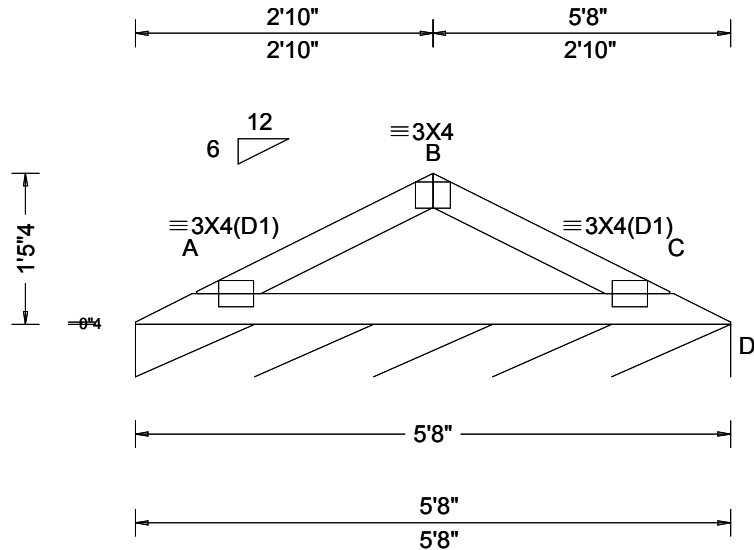
See DWGS VALTN160118 and VAL180160118 for valley details.
The overall height of this truss excluding overhang is 2-5-4.



FL REG# 278, Yoonhwak Kim, FL PE #86367
02/28/2022

****WARNING** READ AND FOLLOW ALL NOTES ON THIS DRAWING!**
****IMPORTANT** FURNISH THIS DRAWING TO ALL CONTRACTORS INCLUDING THE INSTALLERS**
Trusses require extreme care in fabricating, handling, shipping, installing and bracing. Refer to and follow the latest edition of BCSI (Building Component Safety Information, by TPI and SBCA) for safety practices prior to performing these functions. Installers shall provide temporary bracing per BCSI. Unless noted otherwise, top chord shall have properly attached structural sheathing and bottom chord shall have a properly attached rigid ceiling. Locations shown for permanent lateral restraint of webs shall have bracing installed per BCSI sections B3, B7, or B10, as applicable. Apply plates to each face of truss and position as shown above and on the Joint Details, unless noted otherwise. Refer to drawings 160A-Z for standard plate positions. Refer to job's General Notes page for additional information.
Alpine, a division of ITW Building Components Group Inc. shall not be responsible for any deviation from this drawing, any failure to build the truss in conformance with ANSI/TPI 1, or for handling, shipping, installation and bracing of trusses. A seal on this drawing or cover page listing this drawing, indicates acceptance of professional engineering responsibility solely for the design shown. The suitability and use of this drawing for any structure is the responsibility of the Building Designer per ANSI/TPI 1 Sec.2.
For more information see these web sites: Alpine: alpineitw.com; TPI: tpinst.org; SBCA: sbcacomponents.com; ICC: iccsafe.org; AWC: awc.org





Loading Criteria (psf) TCCL: 20.00 TCDL: 10.00 BCLL: 0.00 BCDL: 10.00 Des Ld: 40.00 NCBCLL: 10.00 Soffit: 2.00 Load Duration: 1.25 Spacing: 24.0 "	Wind Criteria Wind Std: ASCE 7-16 Speed: 130 mph Enclosure: Closed Risk Category: II EXP: C Kzt: NA Mean Height: 15.38 ft TCCL: 5.0 psf BCDL: 5.0 psf MWFRS Parallel Dist: h/2 to h C&C Dist a: 3.00 ft Loc. from endwall: not in 9.00 ft GCp: 0.18 Wind Duration: 1.60	Snow Criteria (Pg,Pf in PSF) Pg: NA Ct: NA CAT: NA Pf: NA Ce: NA Lu: NA Cs: NA Snow Duration: NA Building Code: FBC 7th Ed. 2020 Res. TPI Std: 2014 Rep Fac: Yes FT/RT:20(0)/10(0) Plate Type(s): WAVE	Defl/CSI Criteria PP Deflection in loc L/def L/# VERT(LL): 0.010 A 999 240 VERT(CL): 0.021 A 999 180 HORZ(LL): -0.004 C - - HORZ(TL): 0.007 C - - Creep Factor: 2.0 Max TC CSI: 0.156 Max BC CSI: 0.185 Max Web CSI: 0.000 VIEW Ver: 21.01.01A.0521.20	▲ Maximum Reactions (lbs), or *=PLF <table border="1"> <thead> <tr> <th colspan="2">Gravity</th> <th colspan="5">Non-Gravity</th> </tr> <tr> <th>Loc</th> <th>R+ / R-</th> <th>/ Rh</th> <th>/ Rw</th> <th>/ U</th> <th>/ RL</th> </tr> </thead> <tbody> <tr> <td>D*</td> <td>82</td> <td>-</td> <td>-</td> <td>/39</td> <td>/8</td> <td>/5</td> </tr> </tbody> </table>	Gravity		Non-Gravity					Loc	R+ / R-	/ Rh	/ Rw	/ U	/ RL	D*	82	-	-	/39	/8	/5
				Gravity		Non-Gravity																		
Loc	R+ / R-	/ Rh	/ Rw	/ U	/ RL																			
D*	82	-	-	/39	/8	/5																		
Wind reactions based on MWFRS D Brg Wid = 68.0 Min Req = - Bearing A is a rigid surface. Members not listed have forces less than 375#																								

Lumber

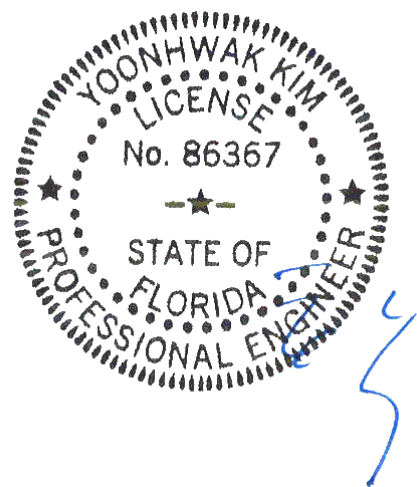
Top chord: 2x4 SP #2;
 Bot chord: 2x4 SP #2;

Wind

Wind loads based on MWFRS with additional C&C member design.
 Wind loading based on both gable and hip roof types.

Additional Notes

See DWGS VALTN160118 and VAL180160118 for valley details.
 The overall height of this truss excluding overhang is 1-5-4.



FL REG# 278, Yoonhwak Kim, FL PE #86367
 02/28/2022

****WARNING** READ AND FOLLOW ALL NOTES ON THIS DRAWING!**
****IMPORTANT** FURNISH THIS DRAWING TO ALL CONTRACTORS INCLUDING THE INSTALLERS**
 Trusses require extreme care in fabricating, handling, shipping, installing and bracing. Refer to and follow the latest edition of BCSI (Building Component Safety Information, by TPI and SBCA) for safety practices prior to performing these functions. Installers shall provide temporary bracing per BCSI. Unless noted otherwise, top chord shall have properly attached structural sheathing and bottom chord shall have a properly attached rigid ceiling. Locations shown for permanent lateral restraint of webs shall have bracing installed per BCSI sections B3, B7, or B10, as applicable. Apply plates to each face of truss and position as shown above and on the Joint Details, unless noted otherwise. Refer to drawings 160A-Z for standard plate positions. Refer to job's General Notes page for additional information.
 Alpine, a division of ITW Building Components Group Inc. shall not be responsible for any deviation from this drawing, any failure to build the truss in conformance with ANSI/TPI 1, or for handling, shipping, installation and bracing of trusses. A seal on this drawing or cover page listing this drawing, indicates acceptance of professional engineering responsibility solely for the design shown. The suitability and use of this drawing for any structure is the responsibility of the Building Designer per ANSI/TPI 1 Sec.2.
 For more information see these web sites: Alpine: alpineitw.com; TPI: tpinst.org; SBCA: sbccomponents.com; ICC: iccsafe.org; AWC: awc.org



Valley Detail - ASCE 7-16: 180 mph, 30' Mean Height, Partially Enclosed, Exp. C, Kzt=1.00

Top Chord 2x4 SP #2N, SPF #1/#2, DF-L #2 or better.
 Bot Chord 2x4 SP #2N or SPF #1/#2 or better.
 Webs 2x4 SP #3, SPF #1/#2, DF-L #2 or better.

** Attach each valley to every supporting truss with:
 535# connection or with (1) Simpson H2.5A or equivalent connector for
 ASCE 7-16 180 mph. 30' Mean Height, Part. Enc. Building, Exp. C, Wind TC DL=5 psf, Kzt = 1.00
 Or
 ASCE 7-16 160 mph. 30' Mean Height, Part. Enc. Building, Exp. D, Wind TC DL=5 psf, Kzt = 1.00

Bottom chord may be square or pitched cut as shown.

Valleys short enough to be cut as solid triangular members from a single 2x6, or larger as required, shall be permitted in lieu of fabricating from separate 2x4 members.

All plates shown are Alpine Wave Plates.

Unless specified otherwise on engineer's sealed design, for vertical valley webs taller than 7-9" apply 2x4 "T" reinforcement, 80% length of web, same species and grade or better, attached with 10d box (0.128" x 3.0") nails at 6" o.c. In lieu of "T" reinforcement, 2x4 Continuous Lateral Restraint applied at mid-length of web is permitted with diagonal bracing as shown in DRWG BRCLBANC1014.

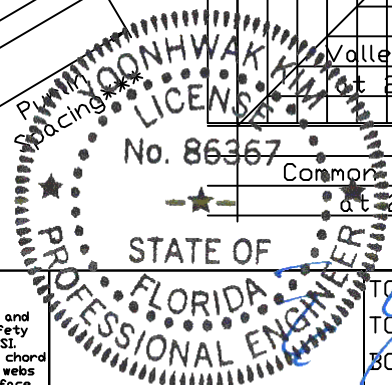
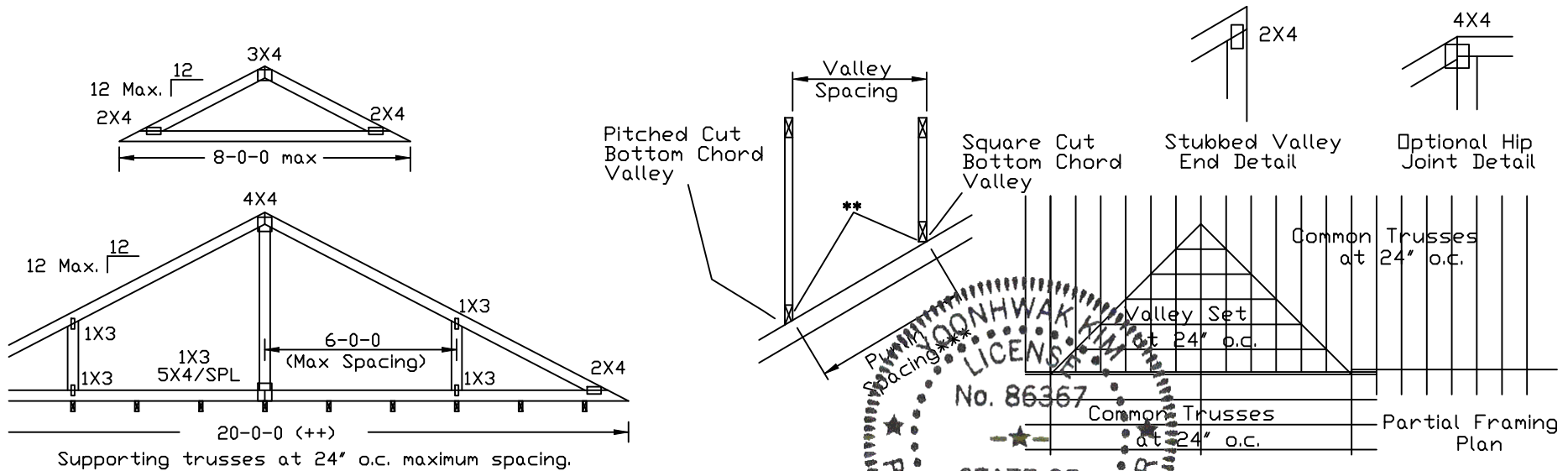
Top chord of truss beneath valley set must be braced with:
 properly attached, rated sheathing applied prior to valley truss installation.

Or
 Purlins at 24" o.c. or as otherwise specified on engineer's sealed design

Or
 By valley trusses used in lieu of purlin spacing as specified on Engineer's sealed design.

*** Note that the purlin spacing for bracing the top chord of the truss beneath the valley is measured along the slope of the top chord.

++ Larger spans may be built as long as the vertical height does not exceed 14'-0".



514 Earth City Expressway
 Suite 242
 Earth City, MO 63045

WARNING: READ AND FOLLOW ALL NOTES ON THIS DRAWING
IMPORTANT: FURNISH THIS DRAWING TO ALL CONTRACTORS INCLUDING THE INSTALLERS.
 Trusses require extreme care in fabricating, handling, shipping, installing and bracing. Refer to and follow the latest edition of BCSI (Building Component Safety Information, by TPI and SBCA) for safety practices prior to performing these functions. Installers shall provide temporary bracing per BCSI. Unless noted otherwise, top chord shall have properly attached structural sheathing and bottom chord shall have a properly attached rigid ceiling. Locations shown for permanent lateral restraint of webs shall have bracing installed per BCSI sections B3, B7 or B10, as applicable. Apply plates to each face of truss and position as shown above and on the Joint Details, unless noted otherwise. Refer to drawings 160A-Z for standard plate positions.
 Alpine, a division of ITW Building Components Group Inc. shall not be responsible for any deviation from this drawing, any failure to build the truss in conformance with ANSI/TPI 1, or for handling, shipping, installation & bracing of trusses.
 A seal on this drawing or cover page listing this drawing, indicates acceptance of professional engineering responsibility solely for the design shown. The suitability and use of this drawing for any structure is the responsibility of the Building Designer per ANSI/TPI 1 Sec.2.
 For more information see this Job's general notes page and these web sites:
 ALPINE: www.alpineitw.com; TPI: www.tpinet.org; SBCA: www.sbcacomponents.com; ICC: www.iccsafe.org

TC LL	30	30	40PSF	REF	VALLEY DETAIL
TC DL	20	15	7PSF	DATE	01/26/2018
BC DL	10	10	10 PSF	DRWG	VAL180160118
BC LL	0	0	0PSF		
TOT. LD.	60	55	57PSF		
DUR.FAC.1.25/1.33	1.15	1.15			
SPACING	24.0"				

Yoonhwak Kim, FL PE #86367

Valley Detail - ASCE 7-16: 30' Mean Height, Enclosed, Exp. C, Kzt=1.00

Top Chord 2x4 SP #2N, SPF #1/#2, DF-L #2 or better.
 Bot Chord 2x4 SP #2N or SPF #1/#2 or better.
 Webs 2x4 SP #3, SPF #1/#2, DF-L #2 or better.

** Attach each valley to every supporting truss with:
 (2) 16d box (0.135" x 3.5") nails toe-nailed for
 ASCE 7-16, 30' Mean Height, Enclosed Building, Exp. C,
 Wind TC DL=5 psf, Kzt = 1.00, Max. Wind Speed based on
 supporting truss material at connection location:
 170 mph for SP (G = 0.55, min.),
 155 mph for DF-L (G = 0.50, min.), or
 120 mph for HF & SPF (G = 0.42, min.).

Maximum top chord pitch is 10/12 for supporting trusses
 below valley trusses.

Bottom chord of valley trusses may be square or
 pitched cut as shown.

Valleys short enough to be cut as solid triangular
 members from a single 2x6, or larger as required,
 shall be permitted in lieu of fabricating from
 separate 2x4 members.

All plates shown are Alpine Wave Plates.

Unless specified otherwise on engineer's sealed design, for vertical
 valley webs taller than 7-9" apply 2x4 "T" reinforcement, 80% length of
 web, same species and grade or better, attached with 10d box
 (0.128" x 3.0") nails at 6" o.c. In lieu of "T" reinforcement, 2x4 Continuous
 Lateral Restraint applied at mid-length of web is permitted with diagonal
 bracing as shown in DRWG BRCLBANC1014.

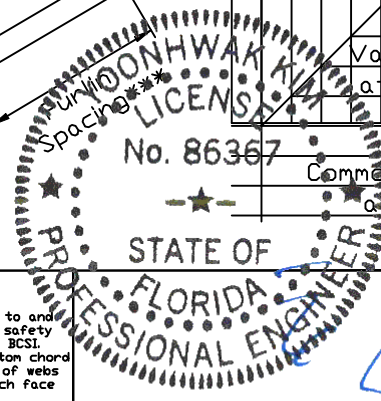
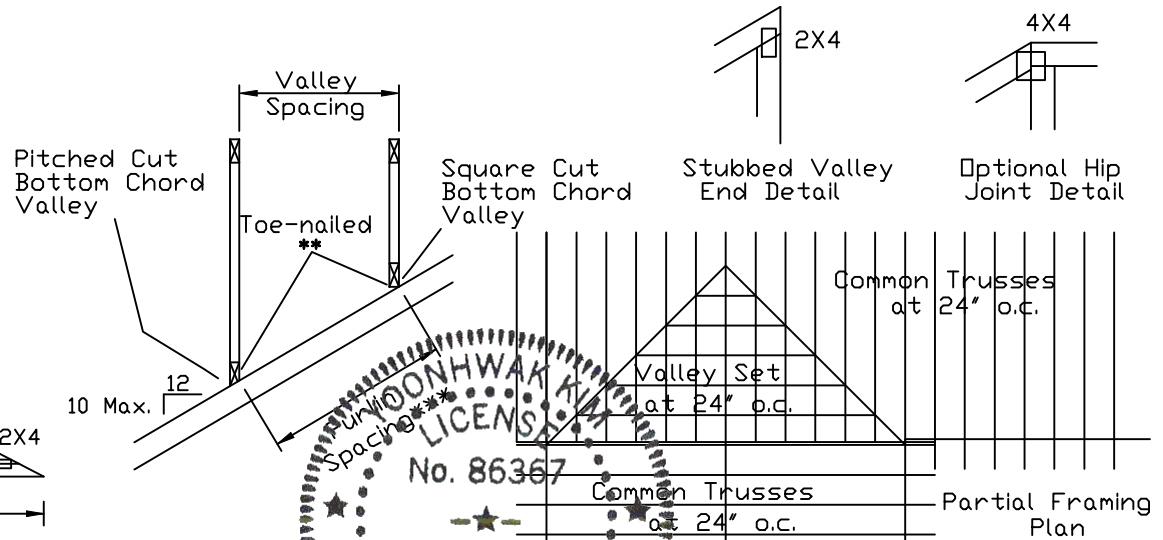
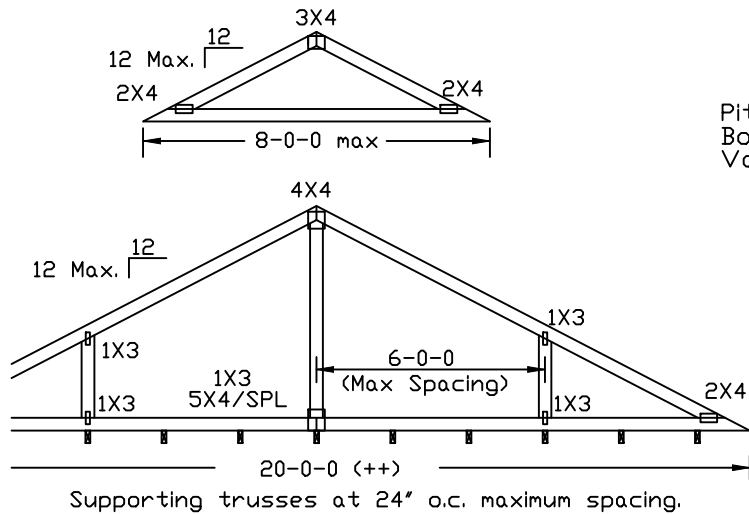
Top chord of truss beneath valley set must be braced with:
 properly attached, rated sheathing applied prior to valley truss
 installation.

Or
 Purlins at 24" o.c. or as otherwise specified on engineer's sealed design

Or
 By valley trusses used in lieu of purlin spacing as specified on
 Engineer's sealed design.

*** Note that the purlin spacing for bracing the top chord of the truss
 beneath the valley is measured along the slope of the top chord.

++ Larger spans may be built as long as the vertical height does
 not exceed 14'-0".



WARNING: READ AND FOLLOW ALL NOTES ON THIS DRAWING
IMPORTANT: FURNISH THIS DRAWING TO ALL CONTRACTORS INCLUDING THE INSTALLERS.
 Trusses require extreme care in fabricating, handling, shipping, installing and bracing. Refer to and follow the latest edition of BCSI (Building Component Safety Information, by TPI and SBCA) for safety practices prior to performing these functions. Installers shall provide temporary bracing per BCSI. Unless noted otherwise, top chord shall have properly attached structural sheathing and bottom chord shall have a properly attached rigid ceiling. Locations shown for permanent lateral restraint of webs shall have bracing installed per BCSI sections B3, B7 or B10, as applicable. Apply plates to each face of truss and position as shown above and on the Joint Details, unless noted otherwise. Refer to drawings 160A-Z for standard plate positions.
 Alpine, a division of ITW Building Components Group Inc. shall not be responsible for any deviation from this drawing, any failure to build the truss in conformance with ANSI/TPI 1, or for handling, shipping, installation & bracing of trusses.
 A seal on this drawing or cover page listing this drawing, indicates acceptance of professional engineering responsibility solely for the design shown. The suitability and use of this drawing for any structure is the responsibility of the Building Designer per ANSI/TPI 1 Sec.2.
 For more information see this job's general notes page and these web sites:
 ALPINE: www.alpineitw.com; TPI: www.tpinst.org; SBCA: www.sbcacomponents.com; ICC: www.iccsafe.org

TC LL	30	30	40PSF	REF	VALLEY DETAIL
TC DL	20	15	7PSF	DATE	01/26/2018
BC DL	10	10	10PSF	DRWG	VALTN160118
BC LL	0	0	0PSF		
TOT. LD.	60	55	57PSF		
DUR.FAC.	1.25/1.33	1.15	1.15		
SPACING	24.0"				

CLR Reinforcing Member Substitution

This detail is to be used when a Continuous Lateral Restraint (CLR) is specified on a truss design but an alternative web reinforcement method is desired.

Notes:

This detail is only applicable for changing the specified CLR shown on single ply sealed designs to T-reinforcement or L-reinforcement or scab reinforcement.

Alternative reinforcement specified in chart below may be conservative. For minimum alternative reinforcement, re-run design with appropriate reinforcement type.

Use scabs instead of L- or T- reinforcement on webs with intersecting truss joints, such as K-web joints, that may interfere with proper application along the narrow face of the web.

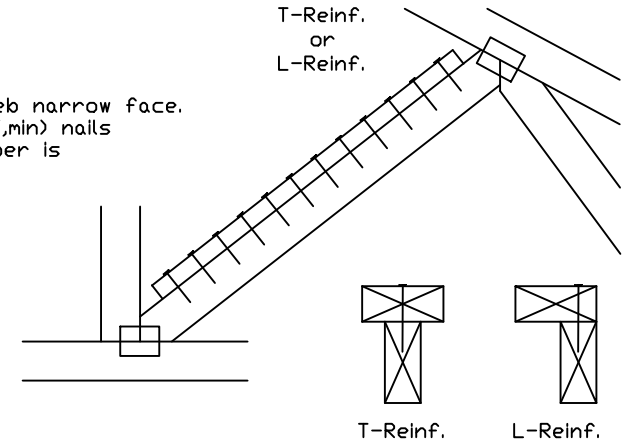
Web Member Size	Specified CLR Restraint	Alternative Reinforcement T- or L- Reinf.	Scab Reinf.
2x3 or 2x4	1 row	2x4	1-2x4
2x3 or 2x4	2 rows	2x6 or 2x4	2-2x4
2x6	1 row	2x4	1-2x6
2x6	2 rows	2x6	2-2x4(*)
2x8	1 row	2x6	1-2x8
2x8	2 rows	2x6	2-2x6(*)

T-reinforcement, L-reinforcement, or scab reinforcement to be same species and grade or better than web member unless specified otherwise on Engineer's sealed design.

(*) Center scab on wide face of web. Apply (1) scab to each face of web.

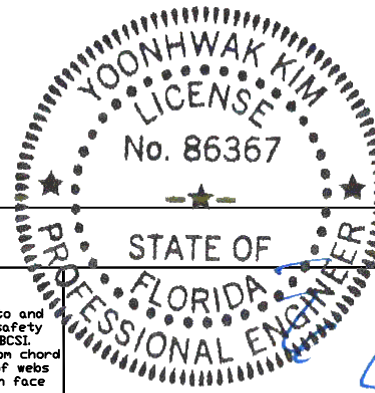
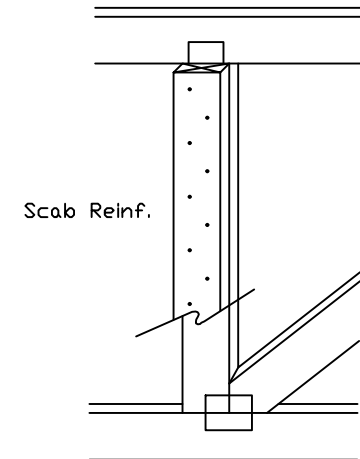
T-Reinforcement or L-Reinforcement:

Apply to either side of web narrow face. Attach with 10d (0.128"x3.0",min) nails at 6" o.c. Reinforcing member is a minimum 80% of web member length.



Scab Reinforcement:

Apply scab(s) to wide face of web. No more than (1) scab per face. Attach with 10d (0.128"x3.0",min) nails at 6" o.c. Reinforcing member is a minimum 80% of web member length.



514 Earth City Expressway
Suite 242
Earth City, MO 63045

WARNING: READ AND FOLLOW ALL NOTES ON THIS DRAWING
IMPORTANT: FURNISH THIS DRAWING TO ALL CONTRACTORS INCLUDING THE INSTALLERS.
Trusses require extreme care in fabricating, handling, shipping, installing and bracing. Refer to and follow the latest edition of BCSI (Building Component Safety Information, by TPI and SBCA) for safety practices prior to performing these functions. Installers shall provide temporary bracing per BCSI. Unless noted otherwise, top chord shall have properly attached structural sheathing and bottom chord shall have a properly attached rigid ceiling. Locations shown for permanent lateral restraint of webs shall have bracing installed per BCSI sections B3, B7 or B10, as applicable. Apply plates to each face of truss and position as shown above and on the Joint Details, unless noted otherwise. Refer to drawings 150A-Z for standard plate positions.
Alpine, a division of ITW Building Components Group Inc. shall not be responsible for any deviation from this drawing, any failure to build the truss in conformance with ANSI/TPI 1, or for handling, shipping, installation & bracing of trusses.
A seal on this drawing or cover page listing this drawing, indicates acceptance of professional engineering responsibility solely for the design shown. The suitability and use of this drawing for any structure is the responsibility of the Building Designer per ANSI/TPI 1 Sec.2.
For more information see this job's general notes page and these web sites: www.alpineitw.com; www.tpinst.org; www.sbcacomponents.com; www.icc-inc.com

03/28/2022

Yoonhwak Kim, FL PE #86367

TC LL	PSF	REF CLR Subst.
TC DL	PSF	DATE 01/02/19
BC DL	PSF	DRWG BRCLBSUB0119
BC LL	PSF	
TOT. LD.	PSF	
DUR. FAC.		
SPACING		

Gable Stud Reinforcement Detail

ASCE 7-16: 140 mph Wind Speed, 15' Mean Height, Enclosed, Exposure C, Kzt = 1.00

- Or: 120 mph Wind Speed, 15' Mean Height, Partially Enclosed, Exposure C, Kzt = 1.00
- Or: 120 mph Wind Speed, 15' Mean Height, Enclosed, Exposure D, Kzt = 1.00
- Or: 100 mph Wind Speed, 15' Mean Height, Partially Enclosed, Exposure D, Kzt = 1.00

Max Gable Vertical Length	2x4 Gable Vertical		Brace Grade	No Braces	(1) 1x4 'L' Brace *		(1) 2x4 'L' Brace *		(2) 2x4 'L' Brace **		(1) 2x6 'L' Brace *		(2) 2x6 'L' Brace **	
	Spacing	Species			Group A	Group B	Group A	Group B	Group A	Group B	Group A	Group B	Group A	Group B
	24" o.c.	SPF	#1 / #2	#1 / #2	4' 3"	7' 3"	7' 7"	8' 7"	8' 11"	10' 3"	10' 8"	13' 6"	14' 0"	14' 0"
#3				4' 1"	6' 7"	7' 1"	8' 6"	8' 10"	10' 1"	10' 6"	13' 4"	13' 10"	14' 0"	14' 0"
Stud				4' 1"	6' 7"	7' 0"	8' 6"	8' 10"	10' 1"	10' 6"	13' 4"	13' 10"	14' 0"	14' 0"
HF			#1	4' 6"	7' 4"	7' 8"	8' 8"	9' 0"	10' 4"	10' 9"	11' 8"	14' 0"	14' 0"	14' 0"
			#2	4' 3"	7' 3"	7' 7"	8' 7"	8' 11"	10' 3"	10' 8"	13' 6"	14' 0"	14' 0"	14' 0"
			Standard	4' 1"	5' 8"	6' 0"	7' 7"	8' 1"	10' 1"	10' 6"	11' 10"	12' 8"	14' 0"	14' 0"
SP		DFL	#1	4' 6"	7' 4"	7' 8"	8' 8"	9' 0"	10' 4"	10' 9"	11' 8"	14' 0"	14' 0"	14' 0"
			#2	4' 3"	7' 3"	7' 7"	8' 7"	8' 11"	10' 3"	10' 8"	13' 6"	14' 0"	14' 0"	14' 0"
			Standard	4' 2"	6' 0"	6' 4"	7' 11"	8' 6"	10' 2"	10' 7"	12' 5"	13' 4"	14' 0"	14' 0"
		DFL	#1	4' 2"	6' 0"	6' 4"	7' 11"	8' 6"	10' 2"	10' 7"	12' 5"	13' 4"	14' 0"	14' 0"
			#2	4' 0"	5' 3"	5' 7"	7' 0"	7' 6"	9' 6"	10' 2"	11' 0"	11' 10"	14' 0"	14' 0"
			Standard	4' 0"	5' 3"	5' 7"	7' 0"	7' 6"	9' 6"	10' 2"	11' 0"	11' 10"	14' 0"	14' 0"
16" o.c.	SPF	#1 / #2	#1 / #2	4' 11"	8' 4"	8' 8"	9' 10"	10' 3"	11' 8"	12' 2"	14' 0"	14' 0"	14' 0"	14' 0"
			#3	4' 8"	8' 1"	8' 8"	9' 8"	10' 1"	11' 7"	12' 1"	14' 0"	14' 0"	14' 0"	14' 0"
			Stud	4' 8"	8' 1"	8' 6"	9' 8"	10' 1"	11' 7"	12' 1"	14' 0"	14' 0"	14' 0"	14' 0"
		HF	#1	5' 1"	8' 5"	8' 9"	9' 11"	10' 4"	11' 10"	12' 4"	14' 0"	14' 0"	14' 0"	14' 0"
			#2	4' 11"	8' 4"	8' 8"	9' 10"	10' 3"	11' 8"	12' 2"	14' 0"	14' 0"	14' 0"	14' 0"
			Standard	4' 9"	7' 4"	7' 9"	9' 9"	10' 2"	11' 8"	12' 1"	14' 0"	14' 0"	14' 0"	14' 0"
	SP	DFL	#1	4' 9"	7' 4"	7' 9"	9' 9"	10' 2"	11' 8"	12' 1"	14' 0"	14' 0"	14' 0"	14' 0"
			#2	4' 9"	7' 4"	7' 9"	9' 9"	10' 2"	11' 8"	12' 1"	14' 0"	14' 0"	14' 0"	14' 0"
			Standard	4' 8"	6' 5"	6' 10"	8' 7"	9' 2"	11' 7"	12' 1"	13' 6"	14' 0"	14' 0"	14' 0"
		DFL	#1 / #2	5' 5"	9' 2"	9' 6"	10' 10"	11' 3"	11' 8"	13' 5"	14' 0"	14' 0"	14' 0"	14' 0"
			#3	5' 1"	9' 0"	9' 4"	10' 8"	11' 1"	12' 9"	13' 3"	14' 0"	14' 0"	14' 0"	14' 0"
			Stud	5' 1"	9' 0"	9' 4"	10' 8"	11' 1"	12' 9"	13' 3"	14' 0"	14' 0"	14' 0"	14' 0"
12" o.c.	SPF	#1 / #2	#1 / #2	5' 5"	9' 2"	9' 6"	10' 10"	11' 3"	11' 8"	13' 5"	14' 0"	14' 0"	14' 0"	14' 0"
			#3	5' 1"	9' 0"	9' 4"	10' 8"	11' 1"	12' 9"	13' 3"	14' 0"	14' 0"	14' 0"	14' 0"
			Stud	5' 1"	9' 0"	9' 4"	10' 8"	11' 1"	12' 9"	13' 3"	14' 0"	14' 0"	14' 0"	14' 0"
	HF	#1	5' 8"	9' 3"	9' 8"	10' 11"	11' 4"	13' 0"	13' 6"	14' 0"	14' 0"	14' 0"	14' 0"	
		#2	5' 5"	9' 2"	9' 6"	10' 10"	11' 3"	12' 11"	13' 5"	14' 0"	14' 0"	14' 0"	14' 0"	
		Standard	5' 1"	8' 0"	8' 6"	10' 8"	11' 1"	12' 9"	13' 3"	14' 0"	14' 0"	14' 0"	14' 0"	
SP	DFL	#1	5' 8"	9' 3"	9' 8"	10' 11"	11' 4"	13' 0"	13' 6"	14' 0"	14' 0"	14' 0"	14' 0"	
		#2	5' 5"	9' 2"	9' 6"	10' 10"	11' 3"	12' 11"	13' 5"	14' 0"	14' 0"	14' 0"	14' 0"	
		Standard	5' 3"	8' 5"	9' 0"	10' 9"	11' 2"	12' 10"	13' 4"	14' 0"	14' 0"	14' 0"	14' 0"	
DFL	#1	5' 3"	8' 5"	9' 0"	10' 9"	11' 2"	12' 10"	13' 4"	14' 0"	14' 0"	14' 0"	14' 0"		
	#2	5' 3"	8' 5"	9' 0"	10' 9"	11' 2"	12' 10"	13' 4"	14' 0"	14' 0"	14' 0"	14' 0"		
	Standard	5' 1"	7' 5"	7' 11"	9' 11"	10' 7"	12' 9"	13' 3"	14' 0"	14' 0"	14' 0"	14' 0"		

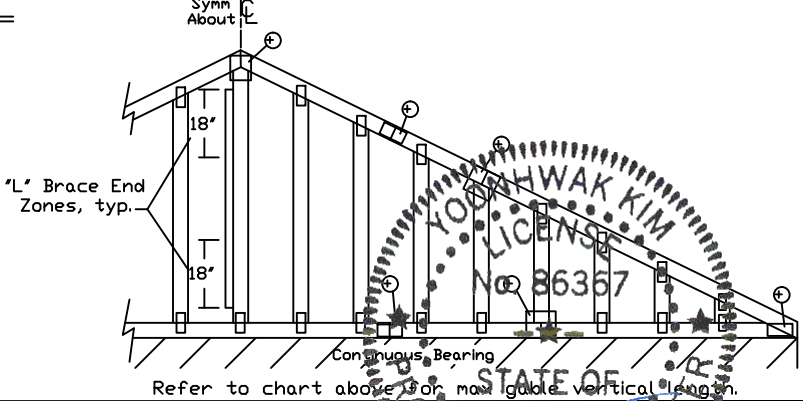
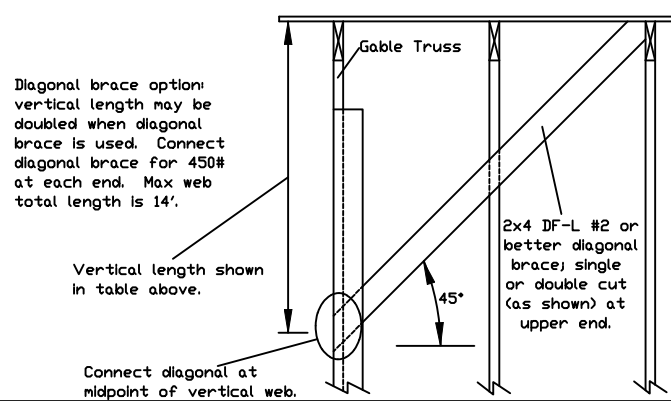
Bracing Group Species and Grades:

Group A:			
Spruce-Pine-Fir		Hem-Fir	
#1 / #2	Standard	#2	Stud
#3	Stud	#3	Standard
Douglas Fir-Larch		Southern Pine***	
#3		#3	
Stud		Stud	
Standard		Standard	

Group B:	
Hem-Fir	
#1 & Btr	
#1	
Douglas Fir-Larch	
#1	
#2	
Southern Pine***	
#1	
#2	

1x4 Braces shall be SRB (Stress-Rated Board).
 ***For 1x4 So. Pine use only Industrial 55 or Industrial 45 Stress-Rated Boards. Group B values may be used with these grades.

Gable Truss Detail Notes:
 Wind Load deflection criterion is L/240.
 Provide uplift connections for 55 plf over continuous bearing (5 psf TC Dead Load).
 Gable end supports load from 4' 0" outlookers with 2' 0" overhang, or 12' plywood overhang.



Attach 'L' braces with 10d (0.128"x3.0" min) nails.
 * For (1) 'L' brace: space nails at 2' o.c. in 18' end zones and 4' o.c. between zones.
 ** For (2) 'L' braces: space nails at 3' o.c. in 18' end zones and 6' o.c. between zones.

'L' bracing must be a minimum of 80% of web member length.

Gable Vertical Plate Sizes	
Vertical Length	No Splice
Less than 4' 0"	1X4 or 2X3
Greater than 4' 0"	3X4

+ Refer to common truss design for peak, splice, and heel plates.

Refer to the Building Designer for conditions not addressed by this detail.

514 Earth City Expressway
Suite 242
Earth City, MO 63045

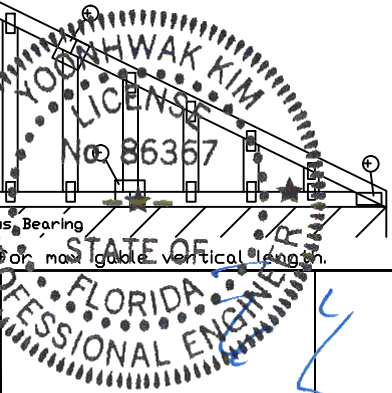
WARNING: READ AND FOLLOW ALL NOTES ON THIS DRAWING. FURNISH THIS DRAWING TO ALL CONTRACTORS INCLUDING THE INSTALLERS.

Trusses require extreme care in fabricating, handling, shipping, installing and bracing. Refer to and follow the latest edition of BCSI (Building Component Safety Information, by TPI and SBCA) for safety practices prior to performing these functions. Installers shall provide temporary bracing per BCSI. Unless noted otherwise, top chord shall have properly attached structural sheathing and bottom chord shall have a properly attached rigid ceiling. Locations shown for permanent lateral restraint of webs shall have bracing installed per BCSI sections B3, B7 or B10, as applicable. Apply plates to each face of truss and position as shown above and on the Joint Details, unless noted otherwise. Refer to drawings 150A-Z for standard plate positions.

Alpine, a division of ITW Building Components Group Inc. shall not be responsible for any deviation from this drawing, any failure to build the truss in conformance with ANSI/TPI 1, or for handling, shipping, installation & bracing of trusses.

A seal on this drawing or cover page listing this drawing, indicates acceptance of professional engineering responsibility solely for the design shown. The suitability and use of this drawing for any structure is the responsibility of the Building Designer per ANSI/TPI 1 Sec.2.

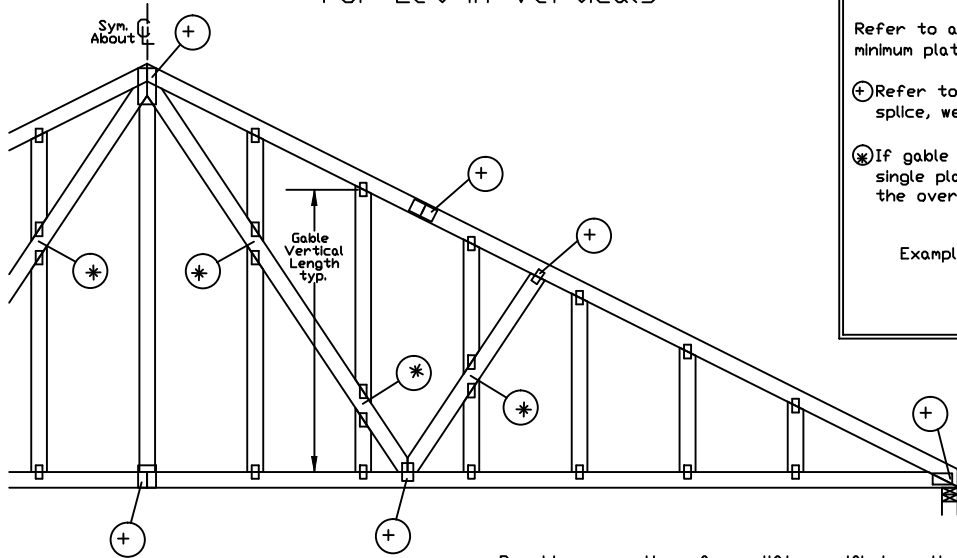
For more information see this Job's general notes page and these web sites: www.alpineitw.com; www.tpinet.org; www.sbcacomponents.com; www.icc.com



MAX. TOT. LD. 60 PSF
 MAX. SPACING 24.0"

REF	ASCE7-16-GAB14015
DATE	01/26/2018
DRWG	A14015ENC160118

Gable Detail For Let-in Verticals



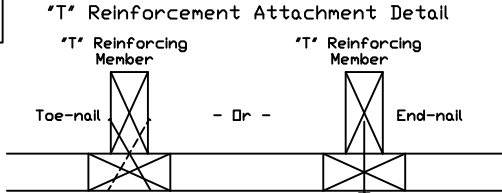
Gable Truss Plate Sizes

Refer to appropriate Alpine gable detail for minimum plate sizes for vertical studs.

⊕ Refer to Engineered truss design for peak, splice, web, and heel plates.

⊗ If gable vertical plates overlap, use a single plate that covers the total area of the overlapped plates to span the web.

Example: 2X4 2X8



Provide connections for uplift specified on the engineered truss design.

Attach each "T" reinforcing member with
End Driven Nails:
10d Common (0.148"x 3",min) Nails at 4' o.c. plus
(4) nails in the top and bottom chords.

Toenailed Nails:
10d Common (0.148"x3",min) Toenails at 4' o.c. plus
(4) toenails in the top and bottom chords.

This detail to be used with the appropriate Alpine gable detail for ASCE wind load.

- ASCE 7-05 Gable Detail Drawings
A13015051014, A12015051014, A11015051014, A10015051014, A14015051014,
A13030051014, A12030051014, A11030051014, A10030051014, A14030051014
- ASCE 7-10 & ASCE 7-16 Gable Detail Drawings
A11515ENC100118, A12015ENC100118, A14015ENC100118, A16015ENC100118,
A18015ENC100118, A20015ENC100118, A20015END100118, A20015PE1D100118,
A11530ENC100118, A12030ENC100118, A14030ENC100118, A16030ENC100118,
A18030ENC100118, A20030ENC100118, A20030END100118, A20030PE1D100118,
S11515ENC100118, S12015ENC100118, S14015ENC100118, S16015ENC100118,
S18015ENC100118, S20015ENC100118, S20015PE1D100118, S20015PE1D100118,
S11530ENC100118, S12030ENC100118, S14030ENC100118, S16030ENC100118,
S18030ENC100118, S20030ENC100118, S20030END100118, S20030PE1D100118

See appropriate Alpine gable detail for maximum unreinforced gable vertical length.

To convert from "L" to "T" reinforcing members, multiply "T" increase by length (based on appropriate Alpine gable detail).

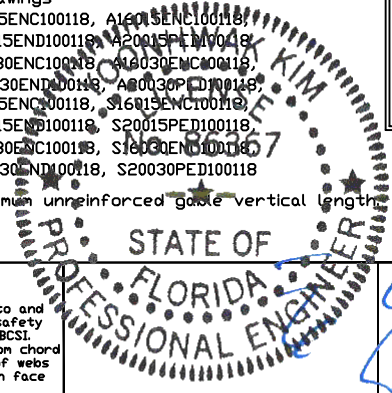
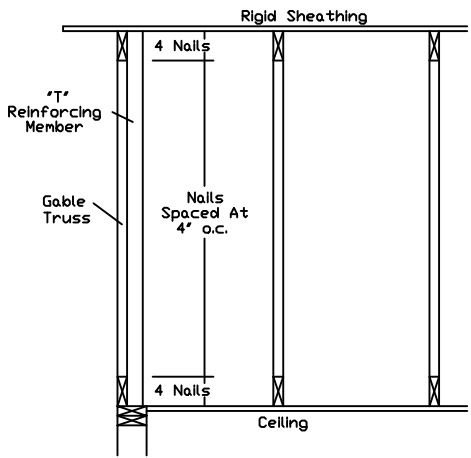
Maximum allowable "T" reinforced gable vertical length is 14' from top to bottom chord.

"T" reinforcing member material must match size, specie, and grade of the "L" reinforcing member.

Web Length Increase w/ "T" Brace

"T" Reinf. Mbr. Size	"T" Increase
2x4	30 %
2x6	20 %

Example:
ASCE 7-10 Wind Speed = 120 mph
Mean Roof Height = 30 ft, Kzt = 1.00
Gable Vertical = 24' o.c. SP #3
"T" Reinforcing Member Size = 2x4
"T" Brace Increase (From Above) = 30% = 1.30
(1) 2x4 "L" Brace Length = 8' 7"
Maximum "T" Reinforced Gable Vertical Length
1.30 x 8' 7" = 11' 2"



514 Earth City Expressway
Suite 242
Earth City, MO 63045

WARNING: READ AND FOLLOW ALL NOTES ON THIS DRAWING
IMPORTANT: FURNISH THIS DRAWING TO ALL CONTRACTORS INCLUDING THE INSTALLERS.

Trusses require extreme care in fabricating, handling, shipping, installing and bracing. Refer to and follow the latest edition of BCSI (Building Component Safety Information, by TPI and SBCA) for safety practices prior to performing these functions. Installers shall provide temporary bracing per BCSI. Unless noted otherwise, top chord shall have properly attached structural sheathing and bottom chord shall have a properly attached rigid ceiling. Locations shown for permanent lateral restraint of webs shall have bracing installed per BCSI sections B3, B7 or B10, as applicable. Apply plates to each face of truss and position as shown above and on the Joint Details, unless noted otherwise. Refer to drawings 160A-Z for standard plate positions.

Alpine, a division of ITW Building Components Group Inc. shall not be responsible for any deviation from this drawing, any failure to build the truss in conformance with ANSI/TPI 1, or for handling, shipping, installation & bracing of trusses.

A seal on this drawing or cover page listing this drawing, indicates acceptance of professional engineering responsibility solely for the design shown. The suitability and use of this drawing for any structure is the responsibility of the Building Designer per ANSI/TPI 1 Sec.2.

For more information see this Job's general notes page and these web sites:
ALPINE: www.alpineitw.com; TPI: www.tpinstr.org; SBCA: www.sbcacomponents.com; ICC: www.iccdirect.org

REF	LET-IN VERT
DATE	01/02/2018
DRWG	GBLLETIN0118
MAX. TOT. LD.	60 PSF
DUR. FAC.	ANY
MAX. SPACING	24.0"