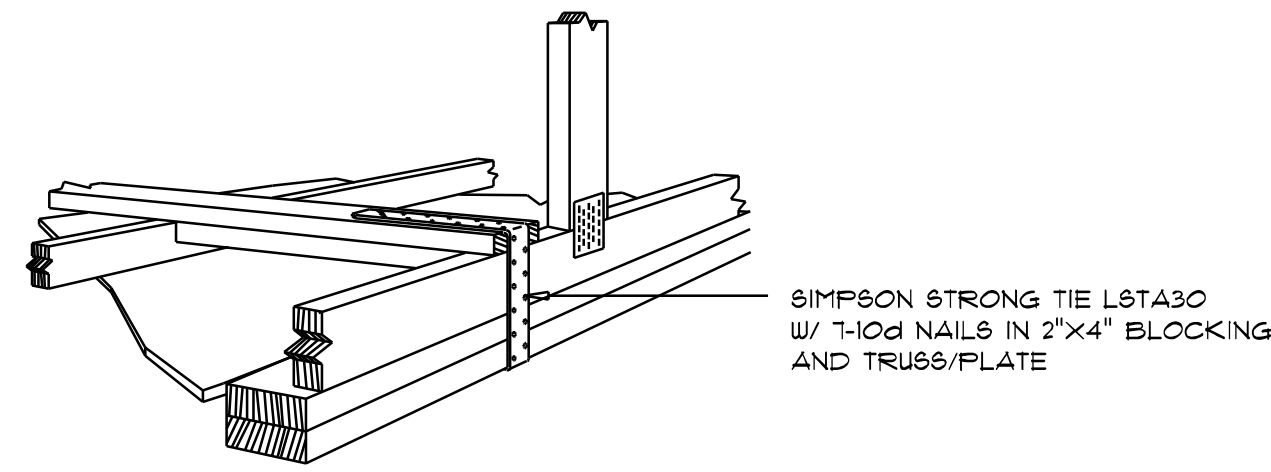


### END WALL BRACING FOR CEILING DIAPHRAGM

NTS (ALTERNATIVE TO BALLOON FRAMING)  
NOTE: ALL WOOD TO BE NUMBER 2 GRADE SOUTHERN YELLOW PINE

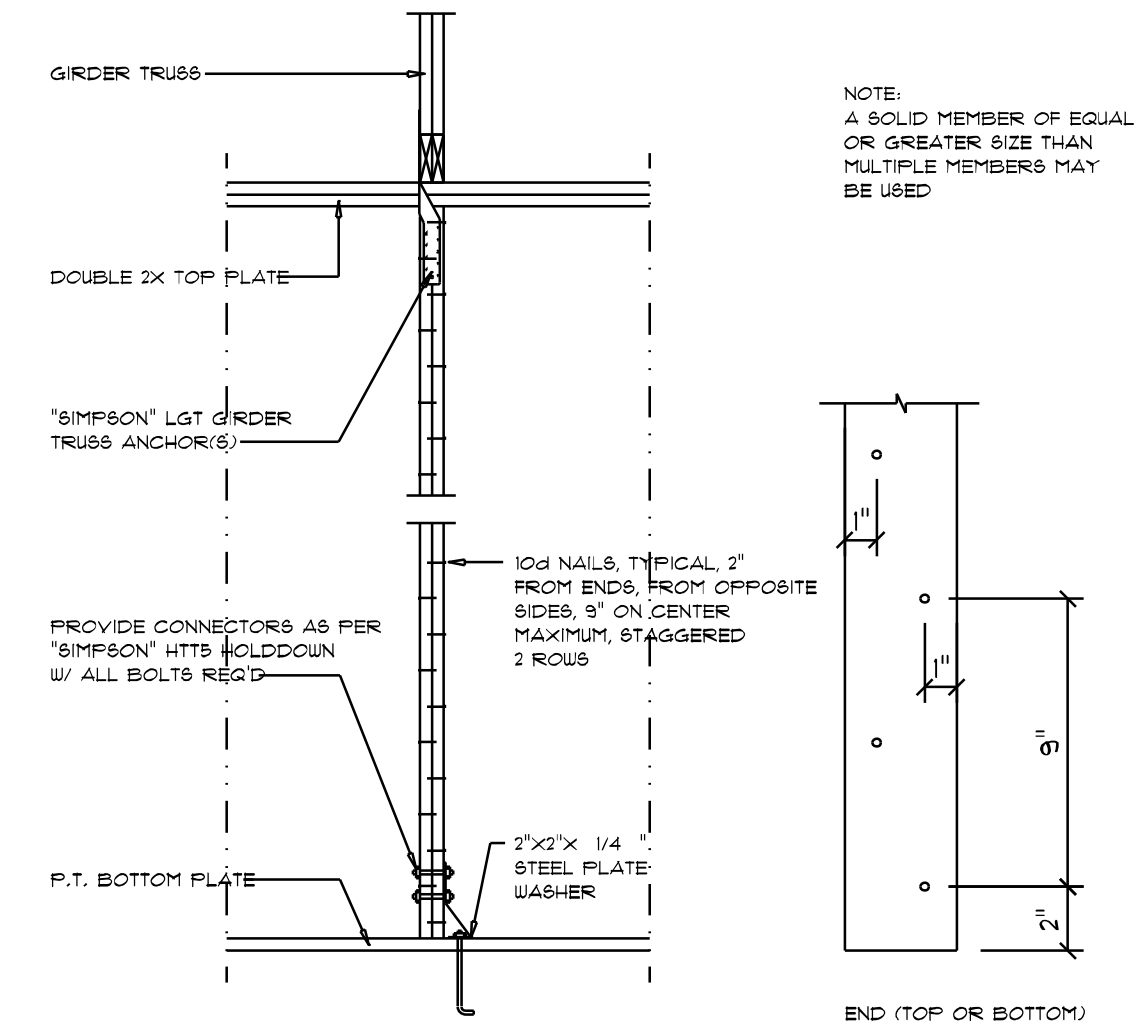
A



### GABLE END GYPSUM DIAPHRAGM HOLD-DOWN CONNECTOR

SCALE: NONE

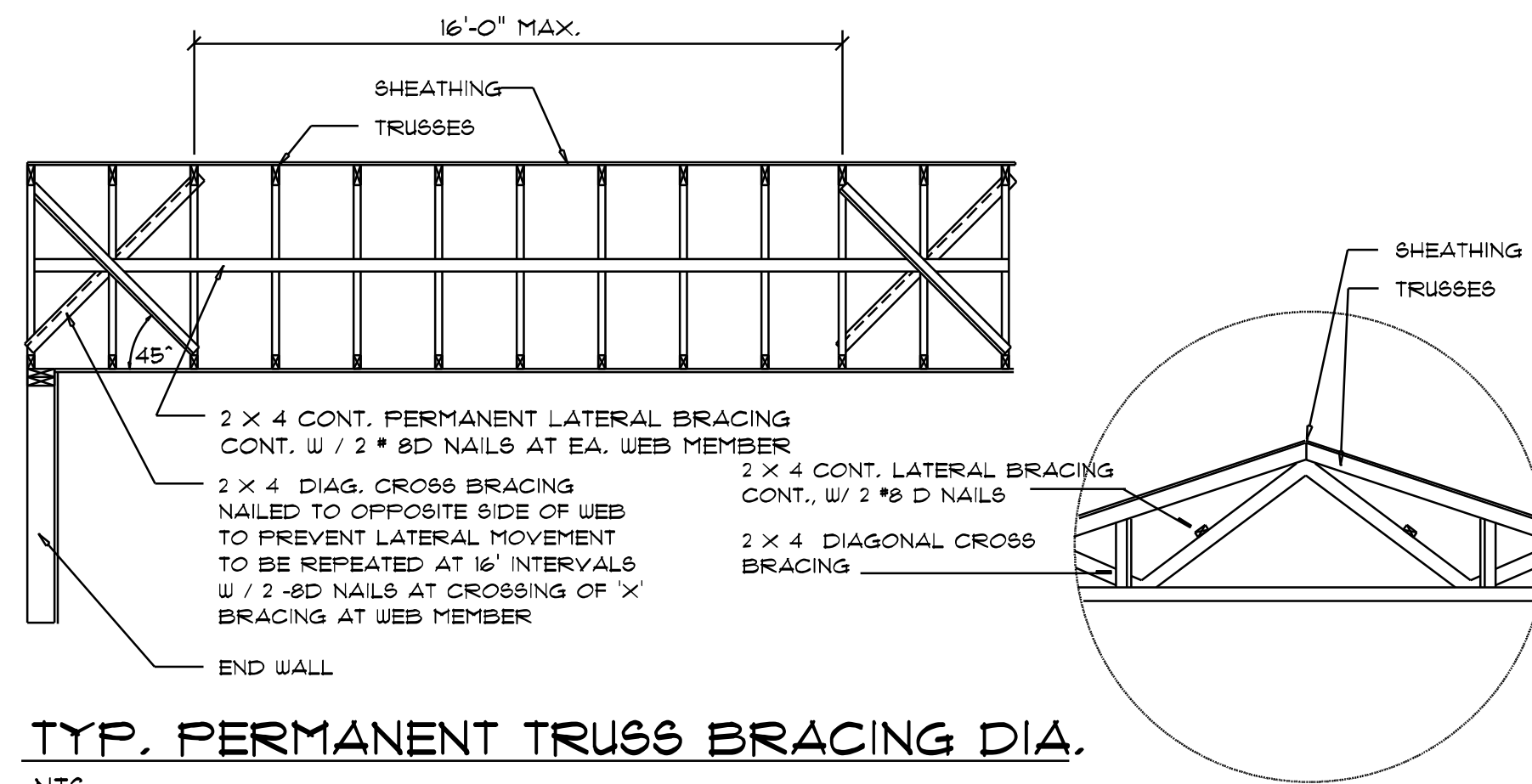
A.1



### Girder Truss Column DET.

SCALE: 1/2" = 1'-0"

C

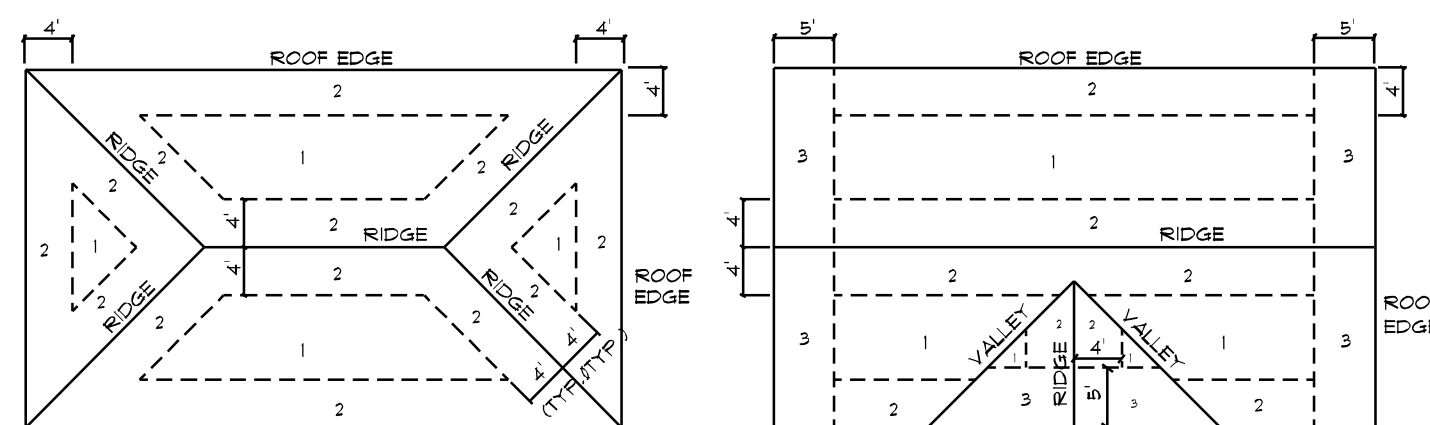


### TYP. PERMANENT TRUSS BRACING DIA.

NTS  
NOTE: ALL WOOD TO BE NUMBER 2 GRADE SOUTHERN YELLOW PINE

D

ROOF SHEATHING FASTENINGS			
NAILING ZONE	SHEATHING TYPE	FASTENER	SPACING
1			6 in. o.c. EDGE 12 in. o.c. FIELD
2	7/16" O.S.B. OR 15/32 CDX	119 RING SHANKED NAILS	6 in. o.c. EDGE 6 in. o.c. FIELD
3			4 in. o.c. # GABLE ENDWALL OR GABLE TRUSS 6 in. o.c. EDGE 6 in. o.c. FIELD



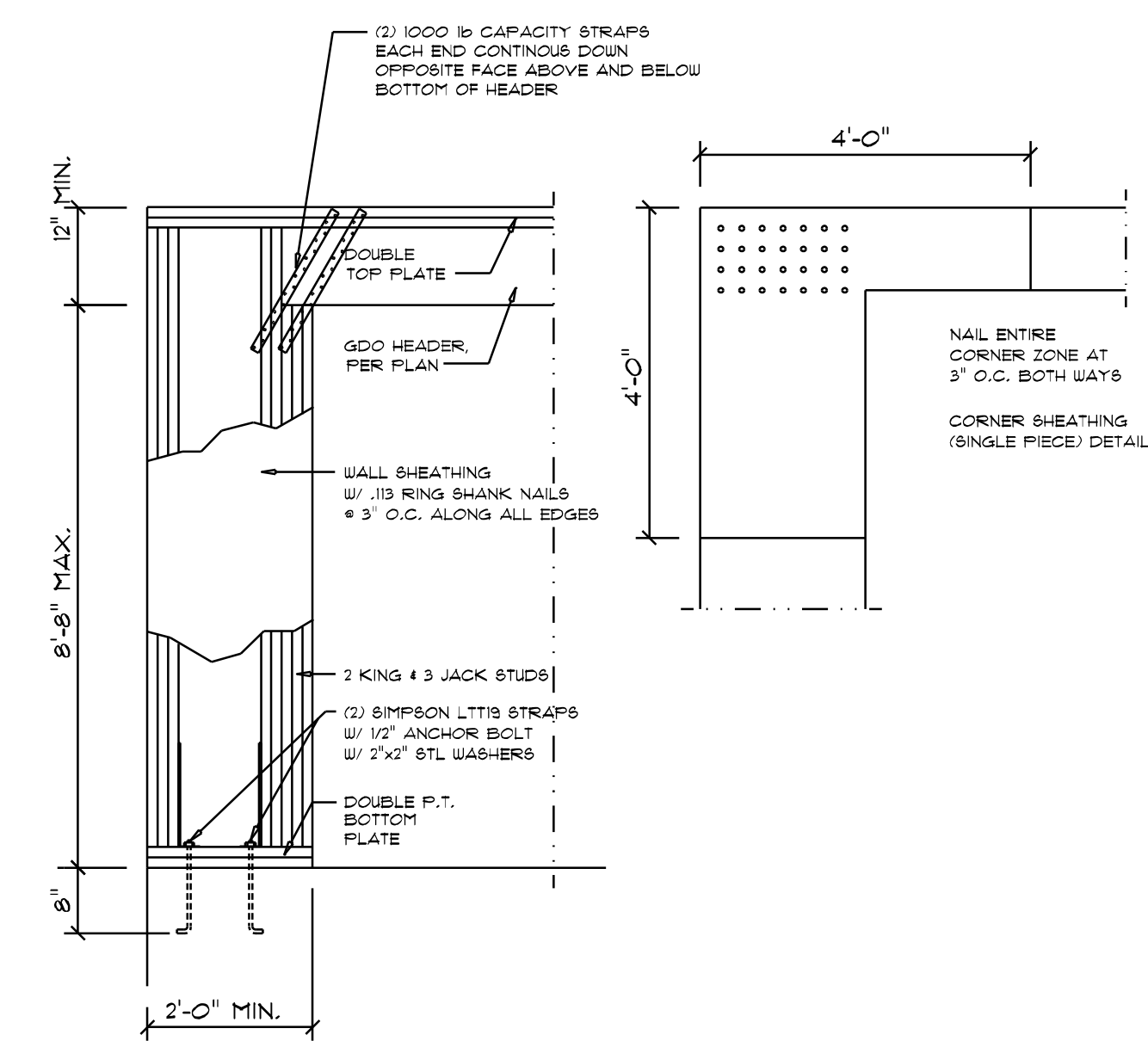
### Roof Nail Pattern DET.

SCALE: NONE

B

### Truss Bracing DETAILS

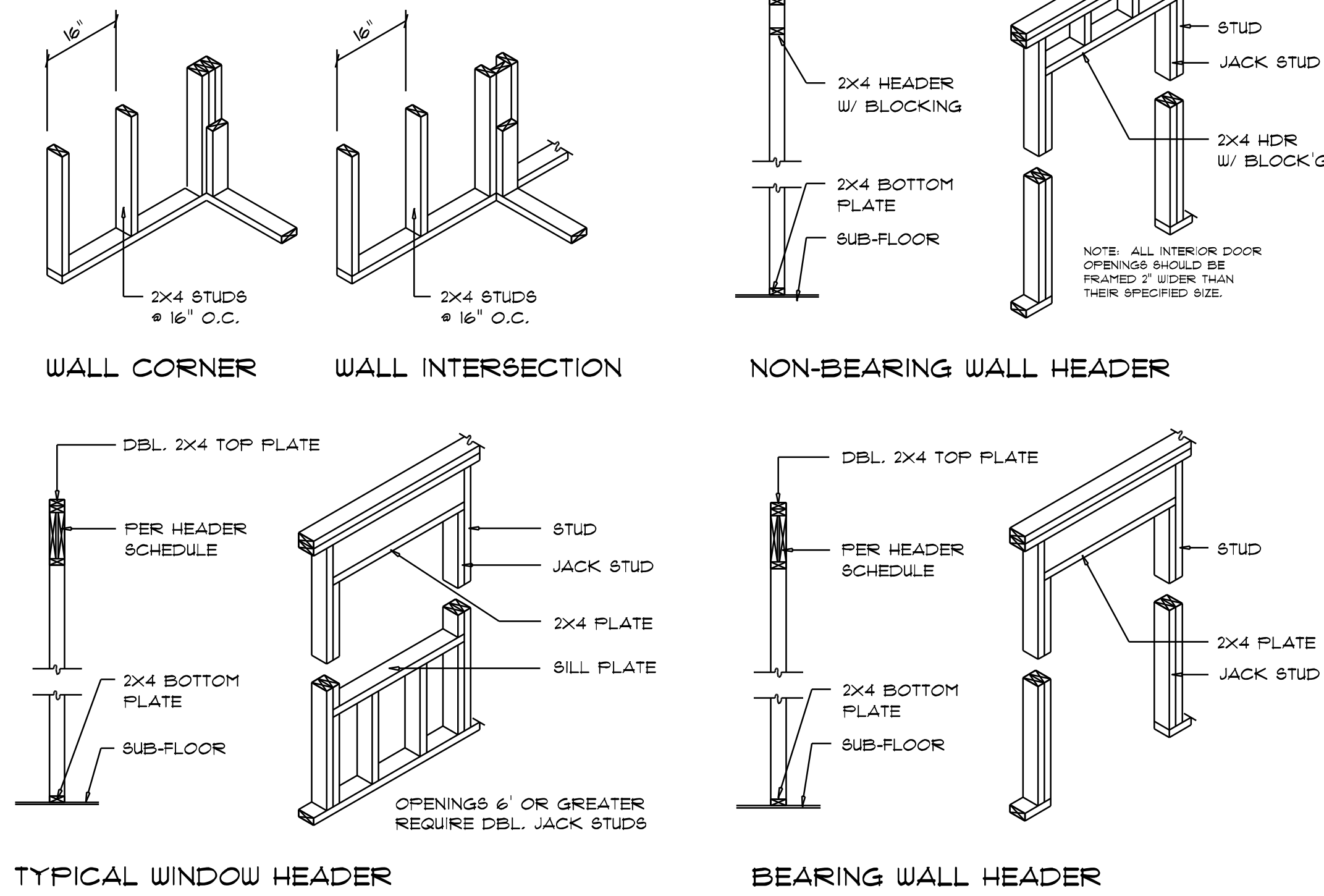
SCALE: AS NOTED



### Garage End Wall DETAILS

SCALE: 1/2" = 1'-0"

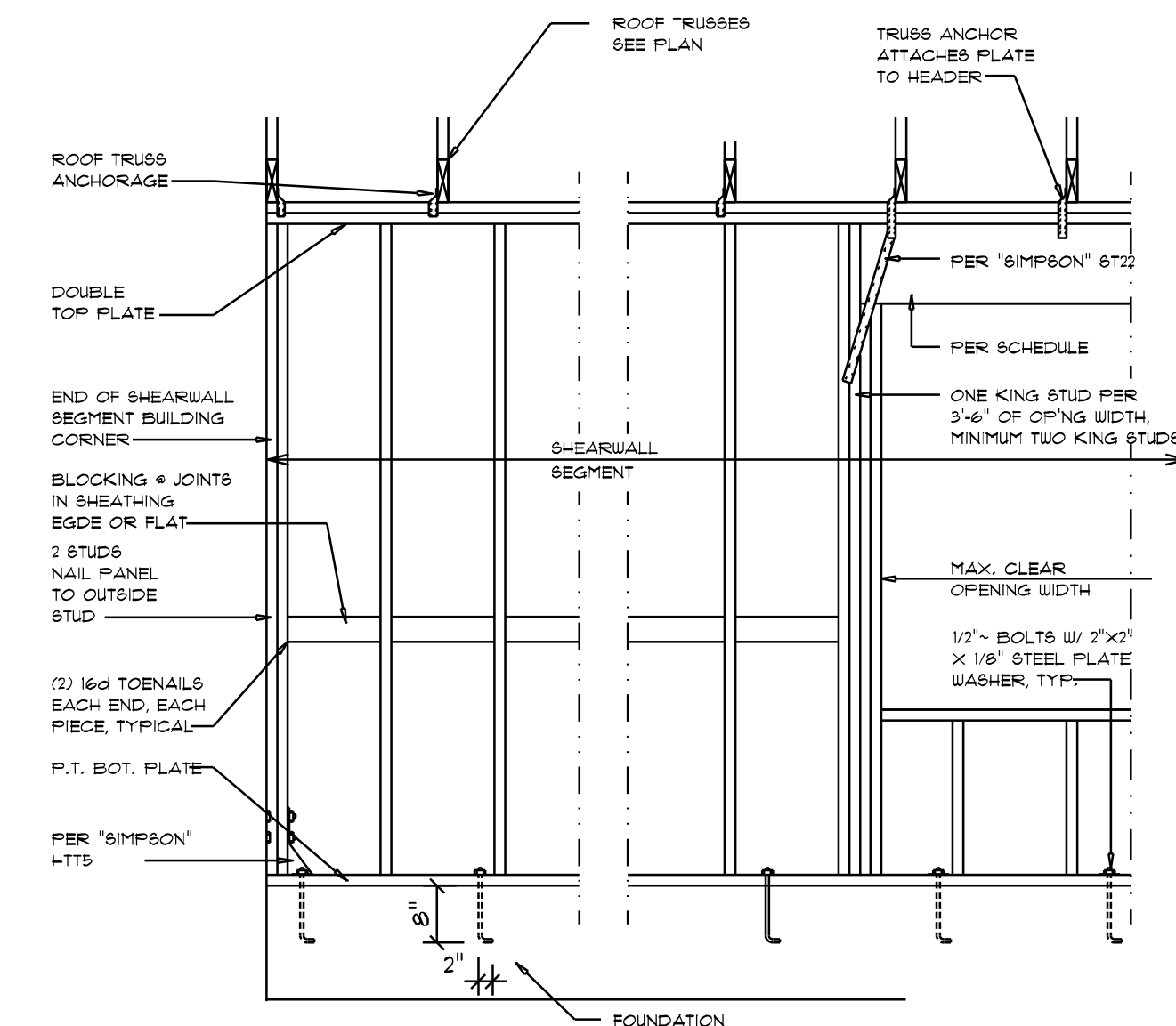
G



### Wall Framing/Header DETAILS

SCALE: NONE

F



### Shear Wall DETAILS

SCALE: NONE

E

#### SHEARWALL NOTES:

- ALL SHEARWALLS SHALL BE TYPE 2 SHEARWALLS
- THE WALL SHALL BE ENTIRELY SHEATHED WITH 7/16" WINDSTORM BD INCLUDING AREAS ABOVE AND BELOW OPENINGS
- ALL SHEATHING SHALL BE ATTACHED TO FRAMING ALONG ALL FOUR EDGES WITH JOINTS FOR ADJACENT PANELS OCCURRING OVER COMMON FRAMING MEMBERS OR ALONG BLOCKING
- NAIL SPACING SHALL BE 6" O.C. EDGES AND 12" O.C. IN THE FIELD
- TYPE 2 SHEARWALLS ARE DESIGNED FOR THE OPENING IT CONTAINS. MAXIMUM HEIGHT OF OPENING SHALL BE 5/8 TIMES THE WALL HEIGHT. THE MINIMUM DISTANCE BETWEEN OPENINGS SHALL BE THE WALL HEIGHT/3.5 FOR 8'-0" WALLS (2'-3").

OPENING WIDTH	SILL PLATES	1/2" TOE NAILS EACH END
UP TO 6'-0"	(1) 2x4 OR (1) 2x6	1
> 6' TO 9'-0"	(3) 2x4 OR (1) 2x6	2
> 9' TO 12'-0"	(5) 2x4 OR (2) 2x6	3



REVISIONS
June 28th, 2021

NEW PROPOSAL FOR:  
**Jon & Ashley Morris**  
LOT 3, HERITAGE HILLS,  
312 LEGACY GLEN, LAKE CITY, FLORIDA 32025

**NICHOLAS PAUL GEISLER ARCHITECT**  
1785 NW Brown Rd.,  
Lakeland, FL 34005  
(888) 785-9021  
N.C.A.R.E. Certified

SHEET NUMBER  
**S.4**  
OF 4 SHEETS

Digitally signed by: N. P. GEISLER  
DN: CN = N. P. GEISLER C = US  
O = AR0007005 OU = ARCHITECT  
Date: 2021.07.01 16:48:52 -0500  
AR0007005