

Q.PEAK DUO BLK-G10+ 350-370

ENDURING HIGH
PERFORMANCE



Quality
Controlled PV

www.tuv.com
ID 1111232615



BREAKING THE 20% EFFICIENCY BARRIER

Q.ANTUM DUO Z Technology with zero gap cell layout boosts module efficiency up to 20.9%.



THE MOST THOROUGH TESTING PROGRAMME IN THE INDUSTRY

Q CELLS is the first solar module manufacturer to pass the most comprehensive quality programme in the industry: The new "Quality Controlled PV" of the independent certification institute TÜV Rheinland.



INNOVATIVE ALL-WEATHER TECHNOLOGY

Optimal yields, whatever the weather with excellent low-light and temperature behaviour.



ENDURING HIGH PERFORMANCE

Long-term yield security with Anti LID Technology, Anti PID Technology¹, Hot-Spot Protect and Traceable Quality Tra.Q™.



EXTREME WEATHER RATING

High-tech aluminium alloy frame, certified for high snow (5400Pa) and wind loads (4000Pa).



A RELIABLE INVESTMENT

Inclusive 25-year product warranty and 25-year linear performance warranty².

¹ APT test conditions according to IEC / TS 62804-1:2015, method A (-1500V, 96h)
² See data sheet on rear for further information.

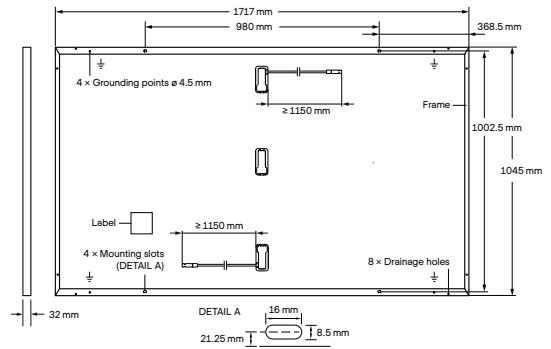
THE IDEAL SOLUTION FOR:



Rooftop arrays on
residential buildings

MECHANICAL SPECIFICATION

Format	1717 mm × 1045 mm × 32 mm (including frame)
Weight	19.9 kg
Front Cover	3.2 mm thermally pre-stressed glass with anti-reflection technology
Back Cover	Composite film
Frame	Black anodised aluminium
Cell	6 × 20 monocrystalline Q.ANTUM solar half cells
Junction box	53-101 mm × 32-60 mm × 15-18 mm Protection class IP67, with bypass diodes
Cable	4 mm ² Solar cable; (+) ≥ 1150 mm, (-) ≥ 1150 mm
Connector	Stäubli MC4; IP68

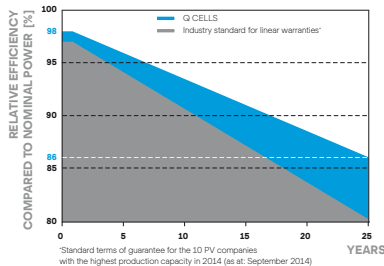


ELECTRICAL CHARACTERISTICS

POWER CLASS			350	355	360	365	370
MINIMUM PERFORMANCE AT STANDARD TEST CONDITIONS, STC ¹ (POWER TOLERANCE +5 W / -0 W)							
Minimum	Power at MPP ¹	P_{MPP} [W]	350	355	360	365	370
	Short Circuit Current ¹	I_{SC} [A]	10.97	11.00	11.04	11.07	11.10
	Open Circuit Voltage ¹	V_{OC} [V]	41.11	41.14	41.18	41.21	41.24
	Current at MPP	I_{MPP} [A]	10.37	10.43	10.49	10.56	10.62
	Voltage at MPP	V_{MPP} [V]	33.76	34.03	34.31	34.58	34.84
	Efficiency ¹	η [%]	≥ 19.5	≥ 19.8	≥ 20.1	≥ 20.3	≥ 20.6
MINIMUM PERFORMANCE AT NORMAL OPERATING CONDITIONS, NMOT ²							
Minimum	Power at MPP	P_{MPP} [W]	262.6	266.3	270.1	273.8	277.6
	Short Circuit Current	I_{SC} [A]	8.84	8.87	8.89	8.92	8.95
	Open Circuit Voltage	V_{OC} [V]	38.77	38.80	38.83	38.86	38.90
	Current at MPP	I_{MPP} [A]	8.14	8.20	8.26	8.31	8.37
	Voltage at MPP	V_{MPP} [V]	32.24	32.48	32.71	32.94	33.17

¹Measurement tolerances $P_{MPP} \pm 3\%$; I_{SC} ; $V_{OC} \pm 5\%$ at STC: 1000 W/m², 25 ± 2°C, AM 1.5 according to IEC 60904-3 • 2800 W/m², NMOT, spectrum AM 1.5

Q CELLS PERFORMANCE WARRANTY

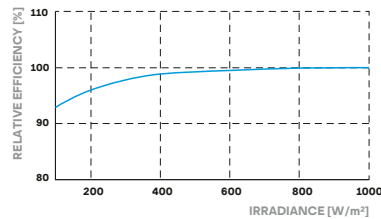


¹Standard terms of guarantee for the 10 PV companies with the highest production capacity in 2014 (as at September 2014)

At least 98% of nominal power during first year. Thereafter max. 0.5% degradation per year. At least 93.5% of nominal power up to 10 years. At least 86% of nominal power up to 25 years.

All data within measurement tolerances. Full warranties in accordance with the warranty terms of the Q CELLS sales organisation of your respective country.

PERFORMANCE AT LOW IRRADIANCE



Typical module performance under low irradiance conditions in comparison to STC conditions (25°C, 1000 W/m²).

TEMPERATURE COEFFICIENTS

Temperature Coefficient of I_{SC}	α [%/K]	+0.04	Temperature Coefficient of V_{OC}	β [%/K]	-0.27
Temperature Coefficient of P_{MPP}	γ [%/K]	-0.34	Nominal Module Operating Temperature	NMOT [°C]	43 ± 3

PROPERTIES FOR SYSTEM DESIGN

Maximum System Voltage	V_{SYS} [V]	1000	PV module classification	Class II
Maximum Reverse Current	I_R [A]	20	Fire Rating based on ANSI / UL 61730	C / TYPE 2
Max. Design Load, Push / Pull	[Pa]	3600 / 2660	Permitted Module Temperature on Continuous Duty	-40°C - +85°C
Max. Test Load, Push / Pull	[Pa]	5400 / 4000		

QUALIFICATIONS AND CERTIFICATES

Quality Controlled PV - TÜV Rheinland;
IEC 61215:2016; IEC 61730:2016.
This data sheet complies
with DIN EN 50380.
QCPV Certification ongoing.



www.tuv.com
ID 1111220277

Note: Installation instructions must be followed. See the installation and operating manual or contact our technical service department for further information on approved installation and use of this product.

Hanwha Q CELLS GmbH

Sonnenallee 17-21, 06766 Bitterfeld-Wolfen, Germany | TEL +49 (0)3494 66 99-23444 | FAX +49 (0)3494 66 99-23000 | EMAIL sales@q-cells.com | WEB www.q-cells.com



IQ8 Series Microinverters

Our newest IQ8 Microinverters are the industry’s first microgrid-forming, software-defined microinverters with split-phase power conversion capability to convert DC power to AC power efficiently. The brain of the semiconductor-based microinverter is our proprietary application-specific integrated circuit (ASIC) which enables the microinverter to operate in grid-tied or off-grid modes. This chip is built in advanced 55nm technology with high speed digital logic and has super-fast response times to changing loads and grid events, alleviating constraints on battery sizing for home energy systems.



Part of the Enphase Energy System, IQ8 Series Microinverters integrate with the Enphase IQ Battery, Enphase IQ Gateway, and the Enphase App monitoring and analysis software.



IQ8 Series Microinverters redefine reliability standards with more than one million cumulative hours of power-on testing, enabling an industry-leading limited warranty of up to 25 years.



Connect PV modules quickly and easily to IQ8 Series Microinverters using the included Q-DCC-2 adapter cable with plug-n-play MC4 connectors.



IQ8 Series Microinverters are UL Listed as PV Rapid Shut Down Equipment and conform with various regulations, when installed according to manufacturer’s instructions.

Easy to install

- Lightweight and compact with plug-n-play connectors
- Power Line Communication (PLC) between components
- Faster installation with simple two-wire cabling

High productivity and reliability

- Produce power even when the grid is down*
- More than one million cumulative hours of testing
- Class II double-insulated enclosure
- Optimized for the latest high-powered PV modules

Microgrid-forming

- Complies with the latest advanced grid support**
- Remote automatic updates for the latest grid requirements
- Configurable to support a wide range of grid profiles
- Meets CA Rule 21 (UL 1741-SA) requirements

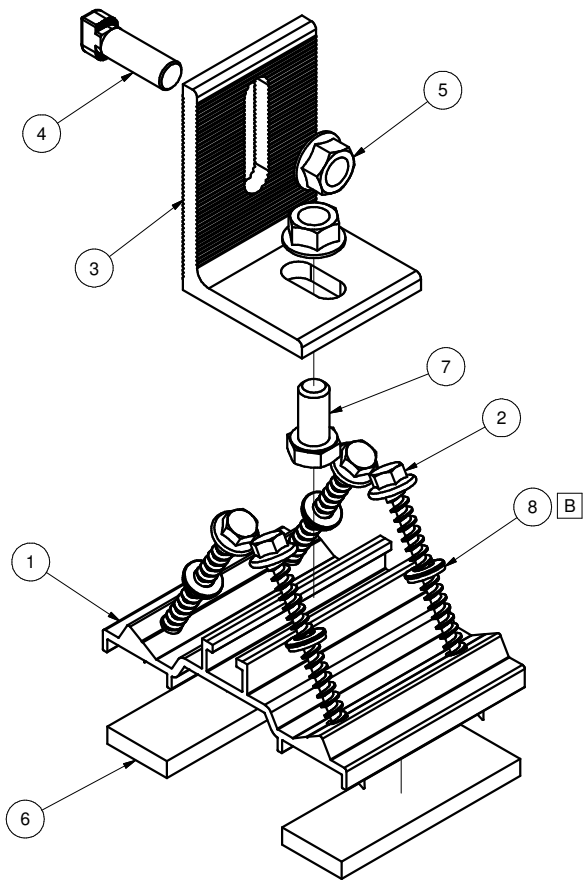
* Only when installed with IQ System Controller 2, meets UL 1741. IQ8H-208V operates only in grid-tied mode.

** IQ8 Series Microinverters supports split phase, 240V. IQ8H-208 supports split phase, 208V only.

IQ8 Series Microinverters

INPUT DATA (DC)		IQ8-60-2-US	IQ8PLUS-72-2-US	IQ8M-72-2-US	IQ8A-72-2-US	IQ8H-240-72-2-US	IQ8H-208-72-2-US ¹
Commonly used module pairings ²	W	235 – 350	235 – 440	260 – 460	295 – 500	320 – 540+	295 – 500+
Module compatibility		60-cell/120 half-cell, 66-cell/132 half-cell and 72-cell/144 half-cell					
MPPT voltage range	V	27 – 37	29 – 45	33 – 45	36 – 45	38 – 45	38 – 45
Operating range	V	25 – 48					
Min/max start voltage	V	30 / 48					
Max input DC voltage	V	50					
Max DC current ³ [module Isc]	A	15					
Overvoltage class DC port		II					
DC port backfeed current	mA	0					
PV array configuration		1x1 Ungrounded array; No additional DC side protection required; AC side protection requires max 20A per branch circuit					
OUTPUT DATA (AC)		IQ8-60-2-US	IQ8PLUS-72-2-US	IQ8M-72-2-US	IQ8A-72-2-US	IQ8H-240-72-2-US	IQ8H-208-72-2-US ¹
Peak output power	VA	245	300	330	366	384	366
Max continuous output power	VA	240	290	325	349	380	360
Nominal (L-L) voltage/range ⁴	V	240 / 211 – 264					
Max continuous output current	A	1.0	1.21	1.35	1.45	1.58	1.73
Nominal frequency	Hz	60					
Extended frequency range	Hz	50 – 68					
AC short circuit fault current over 3 cycles	Arms	2					
Max units per 20 A (L-L) branch circuit ⁵		16	13	11	11	10	9
Total harmonic distortion		<5%					
Overvoltage class AC port		III					
AC port backfeed current	mA	30					
Power factor setting		1.0					
Grid-tied power factor (adjustable)		0.85 leading – 0.85 lagging					
Peak efficiency	%	97.5	97.6	97.6	97.6	97.6	97.4
CEC weighted efficiency	%	97	97	97	97.5	97	97
Night-time power consumption	mW	60					
MECHANICAL DATA							
Ambient temperature range		-40°C to +60°C (-40°F to +140°F)					
Relative humidity range		4% to 100% (condensing)					
DC Connector type		MC4					
Dimensions (HxWxD)		212 mm (8.3") x 175 mm (6.9") x 30.2 mm (1.2")					
Weight		1.08 kg (2.38 lbs)					
Cooling		Natural convection – no fans					
Approved for wet locations		Yes					
Pollution degree		PD3					
Enclosure		Class II double-insulated, corrosion resistant polymeric enclosure					
Environ. category / UV exposure rating		NEMA Type 6 / outdoor					
COMPLIANCE							
Certifications		CA Rule 21 (UL 1741-SA), UL 62109-1, UL1741/IEEE1547, FCC Part 15 Class B, ICES-0003 Class B, CAN/CSA-C22.2 NO. 107.1-01 This product is UL Listed as PV Rapid Shut Down Equipment and conforms with NEC 2014, NEC 2017, and NEC 2020 section 690.12 and C22.1-2018 Rule 64-218 Rapid Shutdown of PV Systems, for AC and DC conductors, when installed according to manufacturer's instructions.					

(1) The IQ8H-208 variant will be operating in grid-tied mode only at 208V AC. (2) No enforced DC/AC ratio. See the compatibility calculator at <https://link.enphase.com/module-compatibility> (3) Maximum continuous input DC current is 10.6A (4) Nominal voltage range can be extended beyond nominal if required by the utility. (5) Limits may vary. Refer to local requirements to define the number of microinverters per branch in your area.



REVISIONS			
REV	DESCRIPTION	BY	DATE
A	INITIAL RELEASE	LWF	10/16/2018
B	ADD B15019-001	LWF	10/24/2018

IN 1/2" PLYWOOD		
LOAD DIRECTION	FOS=2	FOS=3
UPLIFT	345	230
LATERAL.PERP. TO SLOT	140	95
LATERAL.PARALLEL TO SLOT	265	175

IN 7/16" OSB		
LOAD DIRECTION	FOS=2	FOS=3
UPLIFT	190	125
LATERAL.PERP. TO SLOT	125	85
LATERAL.PARALLEL TO SLOT	135	90

- NOTES**
- * Factor of Safety as shown
 - * Torque at 3/8" T-Bolt = 15ft.lbs (20 N.m)
 - * All loads in pounds force
 - * Values valid only for conditons equal or better than test conditions
 - * Values valid only when product is used in accordance with SunModo installation instruction and other technical documentation
 - * The kit as shown in the BOM. For alternative configurations, contact SunModo
- 4 1/4" Deck Screws in Min 7/16" OSB

ITEM	PART NUMBER	DESCRIPTION	QTY
B	8	B15019-001 SEALING WASHER .26 ID X .50 X .125	4
	7	B15018-001 HEX CAP SCREW 3/8-16 X 3/4	1
	6	C50001-001 GASKET, EPDM, WITH ADHESIVE	2
	5	B15003-001 FLANGE NUT 3/8-16	2
	4	B20007-002 T-BOLT 3/8-16X1.0", 304 SS	1
	3	A20062-001 L FOOT	1
	2	B15039-001 HEX WASHER HEAD LAG BOLT 1/4X3	4
	1	A50224-001 METAL ROOF DECK MOUNT	1

MATERIAL		SEE NOTES	
Third Angle Projection:			
GENERAL SPECIFICATIONS All Dimensions in inches [millimeters] Tolerances X.XXX ±0.01 [0.25mm] X.XX ±0.02 [0.50mm] X.X ±0.039 [1.0mm] Unless otherwise spec'd			
DRAWN BY		DATE	
LWF		10/16/2018	
CHECKED BY		B	
APPROVALS		SCALE: NONE	
		SHEET 1 of 1	

SunModo Corp.
 14800 NE 65TH STREET, VANCOUVER WA 98682

TITLE: METAL ROOF DECK MOUNT KIT

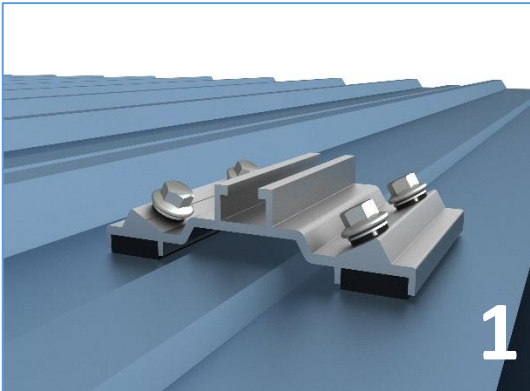
DRAWING NUMBER: B K50532-001 STRUCTURE

THIS DRAWING IS CONFIDENTIAL PROPERTY OF SUNMODO AND ITS CONTENTS MAY NOT BE DISCLOSED WITHOUT THE PRIOR WRITTEN CONSENT OF SUNMODO CORP.

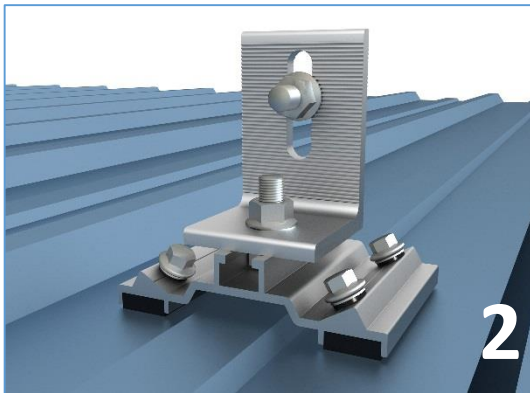


EZ Grip Metal Mount Kit (K50532-001 & K50532-002):

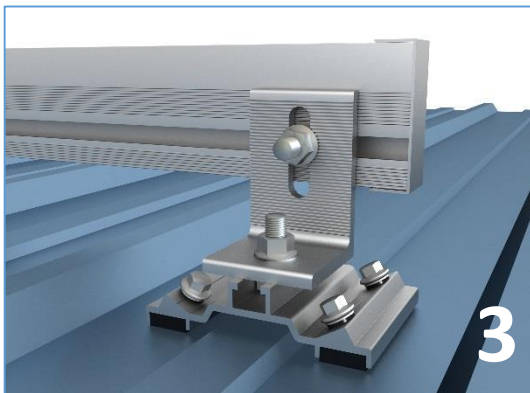
These Installation Instructions are for attaching the EZ Grip Metal Mount Kit into 1/2" plywood, 7/16" OSB or 26ga sheet metal roof decking material. The SunModo EZ Grip Metal Mount Kit comes complete with Mount, 1/4 x 3" or 1/4 x 1-1/2" Hex Washer Head Lag Bolts, L-Foot and 3/8" Hardware.



Locate desired location for the EZ Grip Metal Mount. Install using the four 1/4 x 3" or 1/4 x 1-1/2" Hex Washer Head Lag Bolts supplied.



Secure the L-Foot to the Mount using the 3/8" Hardware supplied. Torque to 15 ft. lbs.



Using the 3/8" hardware supplied attach the Rail to the L-Foot. Torque to 15 ft. lbs.

Installation Notes:

1. Tools Required: Drill, torque wrench, sockets set, tape measure, string line or laser line.
2. The use of an impact driver is strongly discouraged for all stainless nut and bolt hardware.
3. Installer shall use anti-seize compound, such as Permatex anti-seize. Lubricant is recommended for all stainless steel threaded parts.



Ridge Bridge Mount **for Rolled Metal Roofs**

3 Bracket Sizes
2 Gasket Types



**Fits 90% of All Rolled
Metal Roof Profiles!**

The Next Generation
in Metal Roof Mounts!



1905 E 5th St., Ste. A
Vancouver, WA 98661

Phone: 360-844-0048 www.sunmodo.com

Ridge Bridge Mount

Patent #: US 8424821

for Rolled Metal Roofs



K10211-XXX (shown with corrugated roof gasket)



K10212-XXX (shown with barn roof gasket)

Designed for maximum flexibility;
3 bracket sizes fit almost any rolled
metal roof profile.

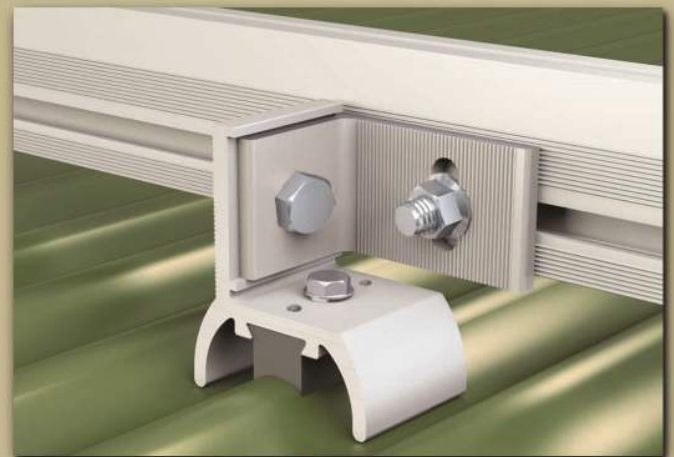
Single screw penetration mount on
wood or metal purlins for fast and
easy installation.

Choice of 2 EPDM gaskets for a
superior water tight seal.

The vertical slot feature provides
adjustment to the solar array when
roofing is uneven.

Durable aluminum anodizing finish for
increased weather corrosion resistance.

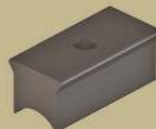
Combine with L-Adaptor (K10066-016)
to change the orientation
of rail at right angles to corrugations



All kits come complete with the following parts:



1 - Corrugated Roof Mount
(Choice of 3 Sizes)



1 - Roof Mount Gasket
(Choice of 2 Types)



1 - Lag Bolt 5/16 X 5"
& 1 Sealing Washer

1 - T-Bolt & 1 - Flange Nut



1905 E 5th St., Ste. A
Vancouver, WA 98661

Phone: 360-844-0048 www.sunmodo.com

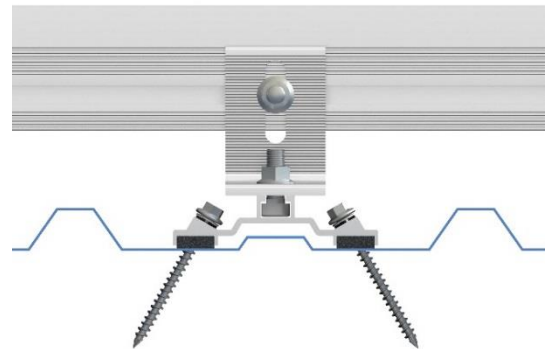
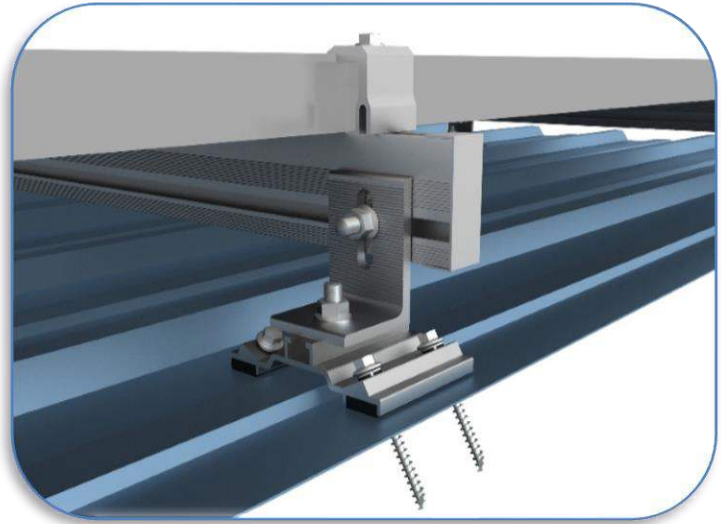
EZ GRIP METAL DECK MOUNT

Make your next metal roof attachment without the daunting task of locating the truss.

SunModo's EZ Grip Metal Deck Mount installs into 26 gauge sheet metal, 1/2 plywood or 7/16 OSB roof decking material.

SunModo's EZ Grip Metal Deck Mount installs in just minutes into sheet metal, plywood or OSB roof decking. The four included 1/4 x 3" Hex Washer Head Self-tapping Screws have the length to penetrate through 1-1/2 inches of insulation while still piercing completely through the roof decking. And since the four screws are guided by the aluminum extruded base to penetrate at a 30-degree angle, the Metal Roof Deck Mount Kit offers superior attachment performance. 1/4-20 Self-drilling screws can be used for attachments into 26 gauge minimum thickness metal roofs.

The EZ Grip Metal Deck Mount is designed to fit on the most popular R-Panel and U-Panel trapezoidal types of metal roofs. The aluminum extruded base easily clears roof profiles 7/16" tall by 1-1/2" wide. The EPDM gaskets on the washers and on the aluminum extruded base combine to provide a water tight seal at the roof penetration site.



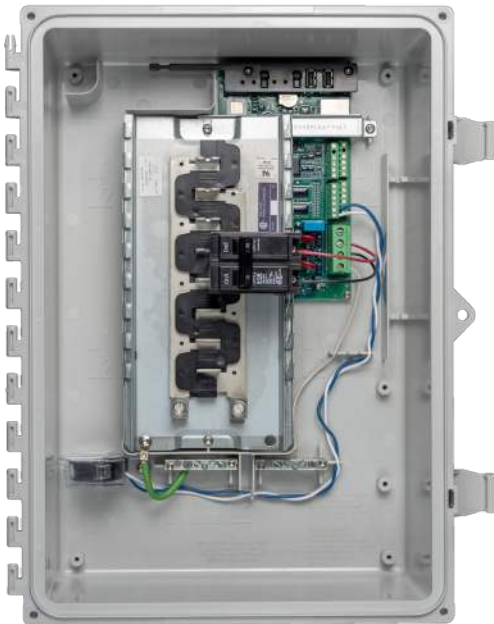
Features and Benefits

- Attaches into 1/2 plywood or 7/16 OSB roof decking material using four 1/4 x 3" Hex Washer Head Self-tapping Screws
- Attaches into 26 gauge minimum thickness sheet metal using four 1/4 x 2" Hex Washer Head Self-drilling Screws
- Angled penetrations provide superior attachment performance
- A wide variety of L-feet and attachment options are available
- Passed the High-Velocity Hurricane Zone (HVHZ) –TAS 100(a) Wind-Driven Rain Test

Enphase IQ Combiner 3

(X-IQ-AM1-240-3)

The **Enphase IQ Combiner 3™** with Enphase IQ Envoy™ consolidates interconnection equipment into a single enclosure and streamlines PV and storage installations by providing a consistent, pre-wired solution for residential applications. It offers up to four 2-pole input circuits and Eaton BR series busbar assembly.



Smart

- Includes IQ Envoy for communication and control
- Flexible networking supports Wi-Fi, Ethernet, or cellular
- Optional AC receptacle available for PLC bridge
- Provides production metering and optional consumption monitoring

Simple

- Reduced size from previous combiner
- Centered mounting brackets support single stud mounting
- Supports back and side conduit entry
- Up to four 2-pole branch circuits for 240 VAC plug-in breakers (not included)
- 80 A total PV or storage branch circuits

Reliable

- Durable NRTL-certified NEMA type 3R enclosure
- Five-year warranty
- UL listed



To learn more about Enphase offerings, visit enphase.com

Enphase IQ Combiner 3

MODEL NUMBER

IQ Combiner 3 X-IQ-AM1-240-3	IQ Combiner 3 with Enphase IQ Envoy™ printed circuit board for integrated revenue grade PV production metering (ANSI C12.20 +/- 0.5%) and optional* consumption monitoring (+/- 2.5%).
------------------------------	--

ACCESSORIES and REPLACEMENT PARTS (not included, order separately)

Enphase Mobile Connect™ CELLMODEM-03 (4G / 12-year data plan) CELLMODEM-01 (3G / 5-year data plan) CELLMODEM-M1 (4G based LTE-M / 5-year data plan)	Plug and play industrial grade cellular modem with data plan for systems up to 60 microinverters. (Available in the US, Canada, Mexico, Puerto Rico, and the US Virgin Islands, where there is adequate cellular service in the installation area.)
--	---

Consumption Monitoring* CT CT-200-SPLIT	Split core current transformers enable whole home consumption metering (+/- 2.5%).
--	--

Circuit Breakers BRK-10A-2-240 BRK-15A-2-240 BRK-20A-2P-240	Supports Eaton BR210, BR215, BR220, BR230, BR240, BR250, and BR260 circuit breakers. Circuit breaker, 2 pole, 10A, Eaton BR210 Circuit breaker, 2 pole, 15A, Eaton BR215 Circuit breaker, 2 pole, 20A, Eaton BR220
--	---

EPLC-01	Power line carrier (communication bridge pair), quantity 2
---------	--

XA-PLUG-120-3	Accessory receptacle for Power Line Carrier in IQ Combiner 3 (required for EPLC-01)
---------------	---

XA-ENV-PCBA-3	Replacement IQ Envoy printed circuit board (PCB) for Combiner 3
---------------	---

ELECTRICAL SPECIFICATIONS

Rating	Continuous duty
System voltage	120/240 VAC, 60 Hz
Eaton BR series busbar rating	125 A
Max. continuous current rating (output to grid)	65 A
Max. fuse/circuit rating (output)	90 A
Branch circuits (solar and/or storage)	Up to four 2-pole Eaton BR series Distributed Generation (DG) breakers only (not included)
Max. continuous current rating (input from PV)	64 A
Max. total branch circuit breaker rating (input)	80A of distributed generation / 90A with IQ Envoy breaker included
Production Metering CT	200 A solid core pre-installed and wired to IQ Envoy

MECHANICAL DATA

Dimensions (WxHxD)	49.5 x 37.5 x 16.8 cm (19.5" x 14.75" x 6.63"). Height is 21.06" (53.5 cm with mounting brackets).
Weight	7.5 kg (16.5 lbs)
Ambient temperature range	-40° C to +46° C (-40° to 115° F)
Cooling	Natural convection, plus heat shield
Enclosure environmental rating	Outdoor, NRTL-certified, NEMA type 3R, polycarbonate construction
Wire sizes	<ul style="list-style-type: none">• 20 A to 50 A breaker inputs: 14 to 4 AWG copper conductors• 60 A breaker branch input: 4 to 1/0 AWG copper conductors• Main lug combined output: 10 to 2/0 AWG copper conductors• Neutral and ground: 14 to 1/0 copper conductors Always follow local code requirements for conductor sizing.
Altitude	To 2000 meters (6,560 feet)

INTERNET CONNECTION OPTIONS

Integrated Wi-Fi	802.11b/g/n
Ethernet	Optional, 802.3, Cat5E (or Cat 6) UTP Ethernet cable (not included)
Cellular	Optional, CELLMODEM-01 (3G) or CELLMODEM-03 (4G) or CELLMODEM-M1 (4G based LTE-M) (not included)

COMPLIANCE

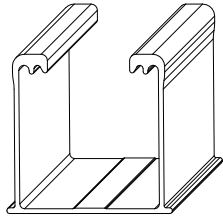
Compliance, Combiner	UL 1741 CAN/CSA C22.2 No. 107.1 47 CFR, Part 15, Class B, ICES 003 Production metering: ANSI C12.20 accuracy class 0.5 (PV production)
Compliance, IQ Envoy	UL 60601-1/CANCSA 22.2 No. 61010-1

* Consumption monitoring is required for Enphase Storage Systems.

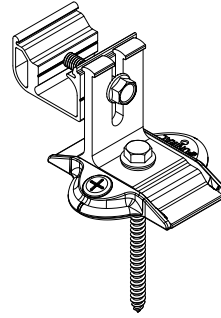
To learn more about Enphase offerings, visit enphase.com

© 2018 Enphase Energy. All rights reserved. All trademarks or brands in this document are registered by their respective owner.
2018-09-13

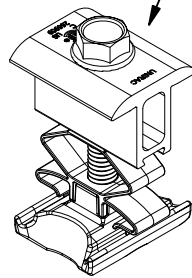
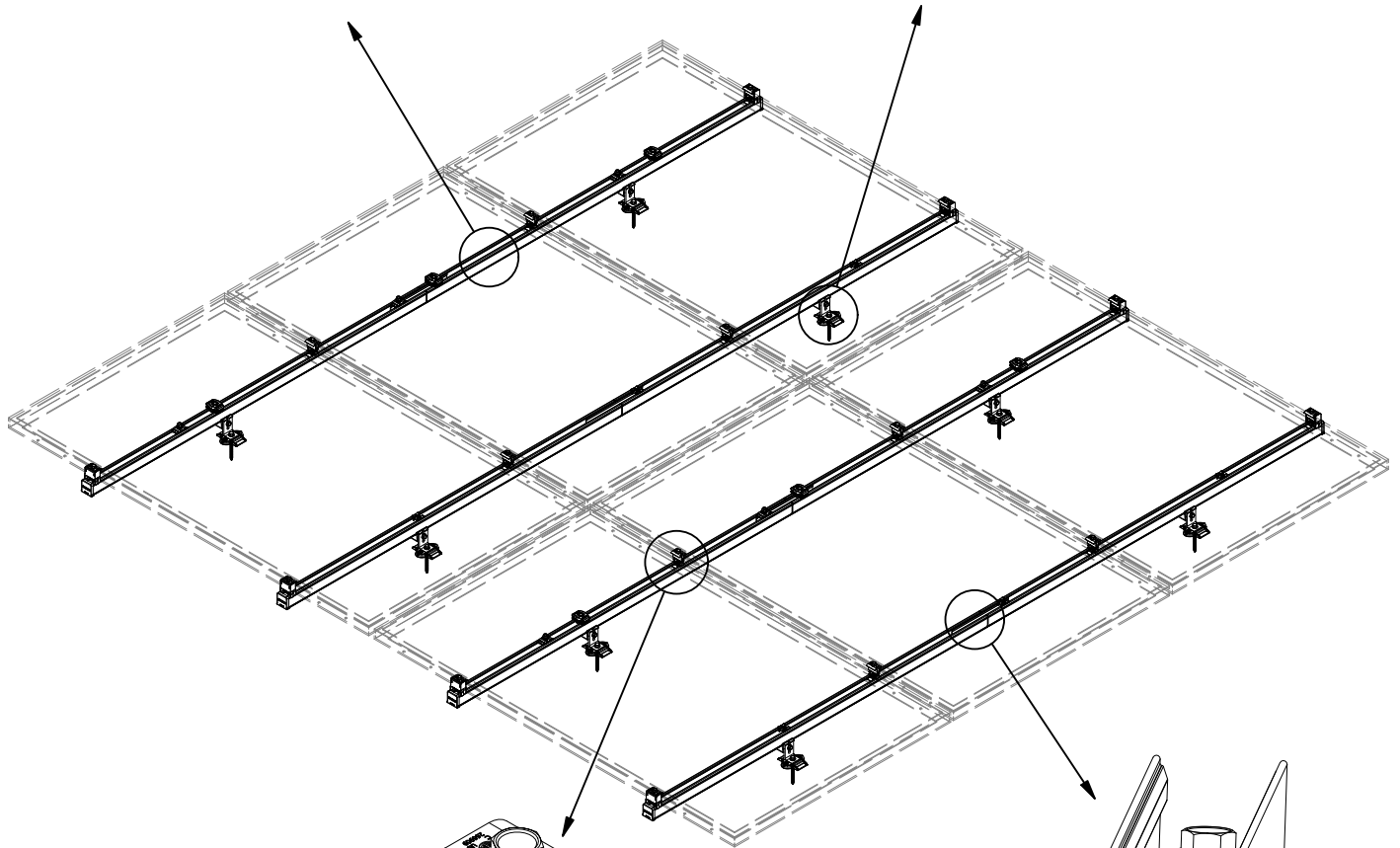




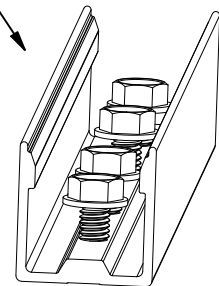
RAIL
SEE PAGE NH-P01



STRONGHOLD ATTACHMENT KIT
SEE PAGE NH-A04



COMBO CLAMP
SEE PAGE NH-A03



RAIL SPLICE
SEE PAGE NH-P02



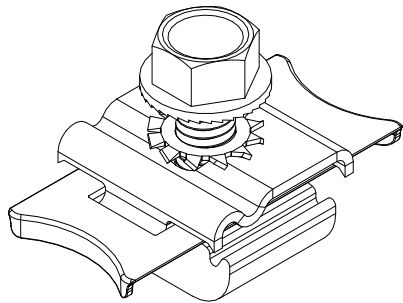
1411 BROADWAY BLVD. NE
ALBUQUERQUE, NM 87102 USA
PHONE: 505.242.6411
WWW.UNIRAC.COM

PRODUCT LINE:	NXT HORIZON
DRAWING TYPE:	PART & ASSEMBLY
DESCRIPTION:	MODULE ASSEMBLY
REVISION DATE:	9/30/2021

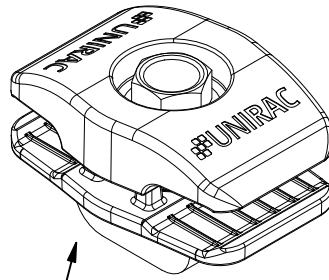
DRAWING NOT TO SCALE
ALL DIMENSIONS ARE
NOMINAL

PRODUCT PROTECTED BY
ONE OR MORE US PATENTS
LEGAL NOTICE

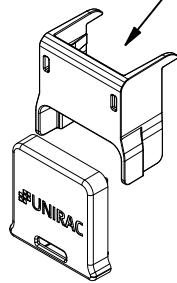
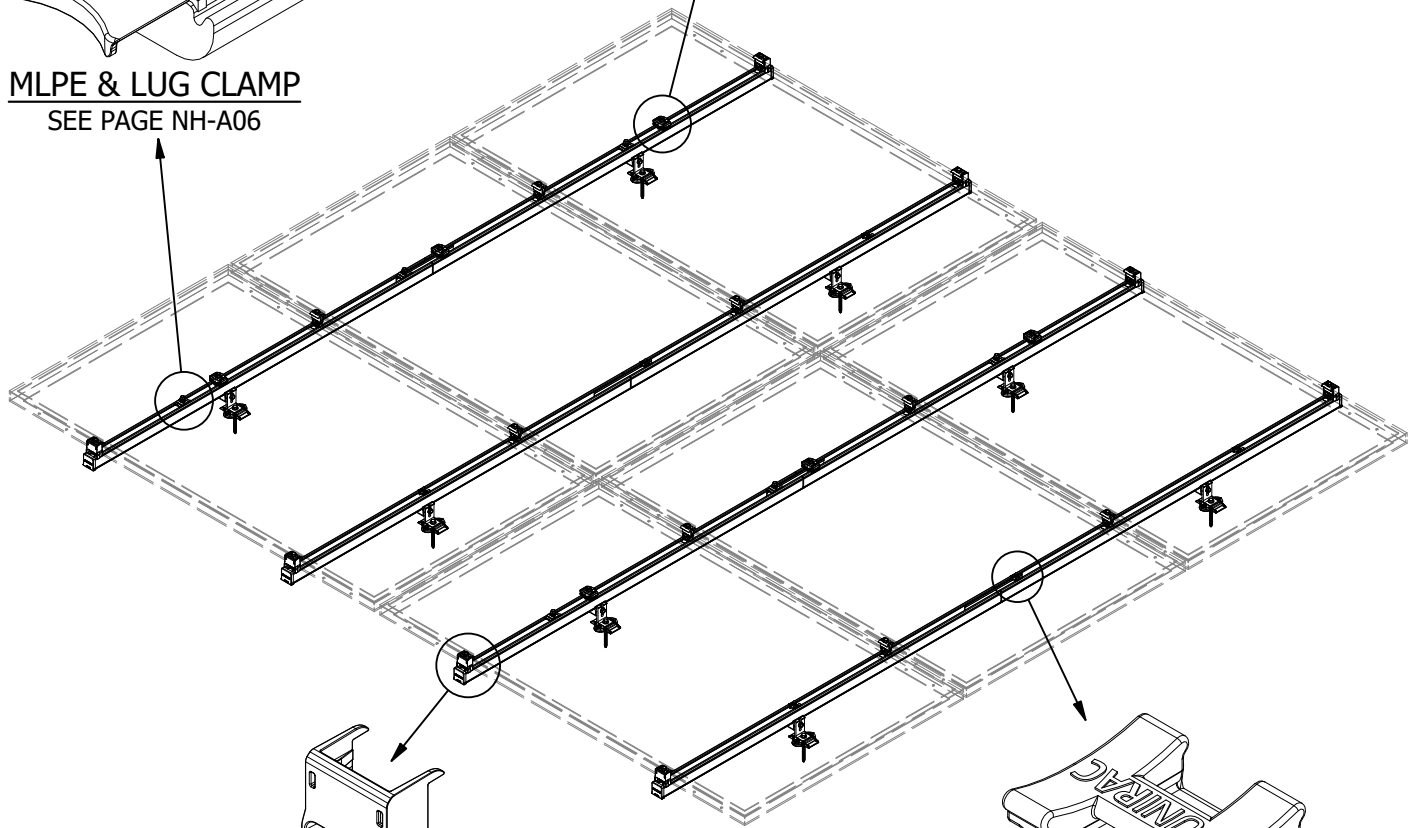
NH-A01
SHEET



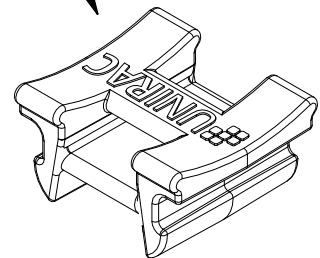
MLPE & LUG CLAMP
SEE PAGE NH-A06



NS WIRE MGMT CLIP
SEE PAGE NH-A07



RAIL & CLAMP CAP KIT
SEE PAGE NH-A09



WIRE MGMT CLIP
SEE PAGE NH-A08



1411 BROADWAY BLVD. NE
ALBUQUERQUE, NM 87102 USA
PHONE: 505.242.6411
WWW.UNIRAC.COM

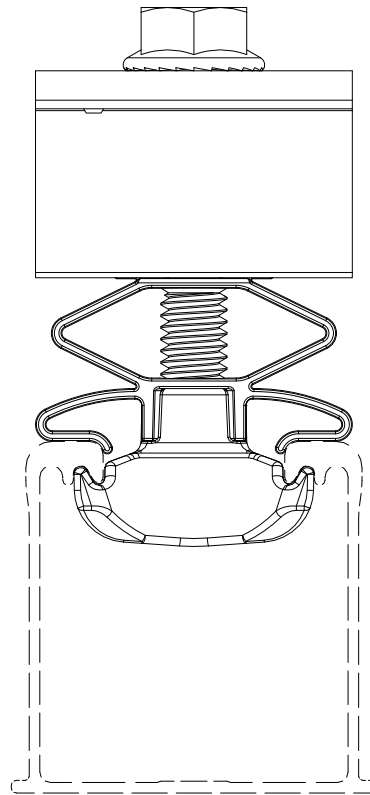
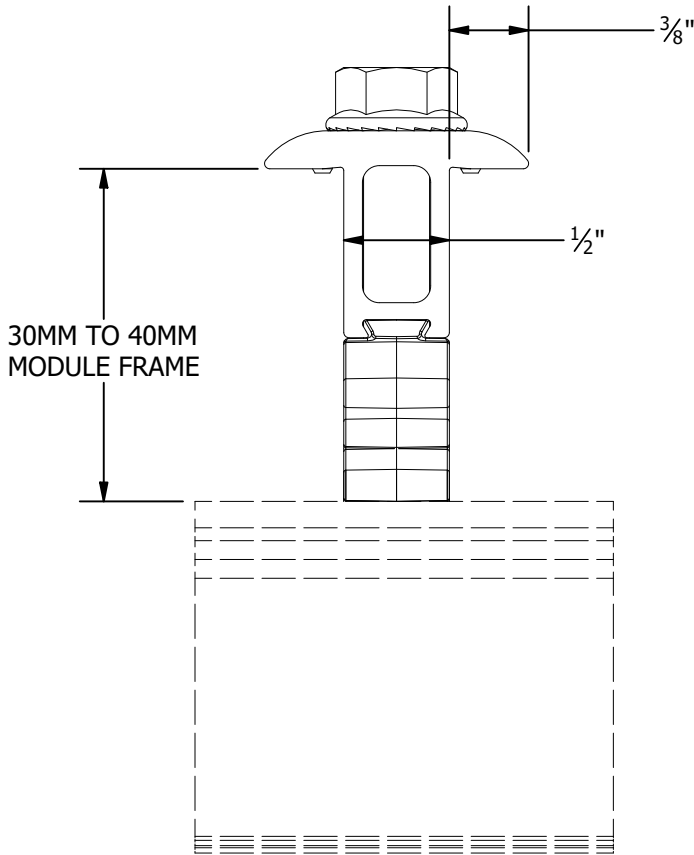
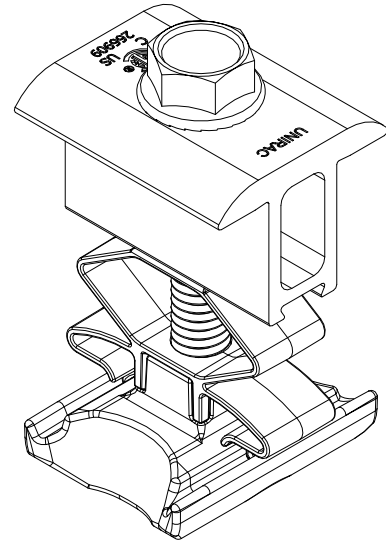
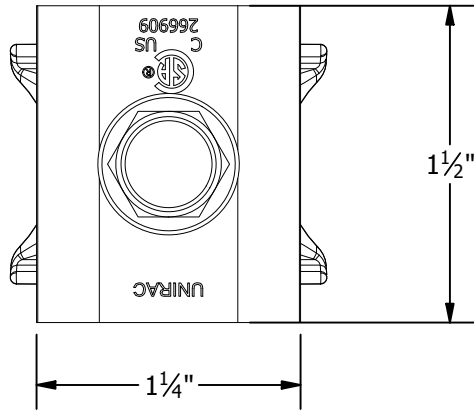
PRODUCT LINE:	NXT HORIZON
DRAWING TYPE:	PART & ASSEMBLY
DESCRIPTION:	MODULE ASSEMBLY
REVISION DATE:	9/30/2021

DRAWING NOT TO SCALE
ALL DIMENSIONS ARE
NOMINAL

PRODUCT PROTECTED BY
ONE OR MORE US PATENTS
LEGAL NOTICE

NH-A02
SHEET

PART # TABLE	
P/N	DESCRIPTION
CCLAMP1	NXT HORIZON COMBO CLAMP - MILL
CCLAMPD1	NXT HORIZON COMBO CLAMP - DARK



1411 BROADWAY BLVD. NE
 ALBUQUERQUE, NM 87102 USA
 PHONE: 505.242.6411
 WWW.UNIRAC.COM

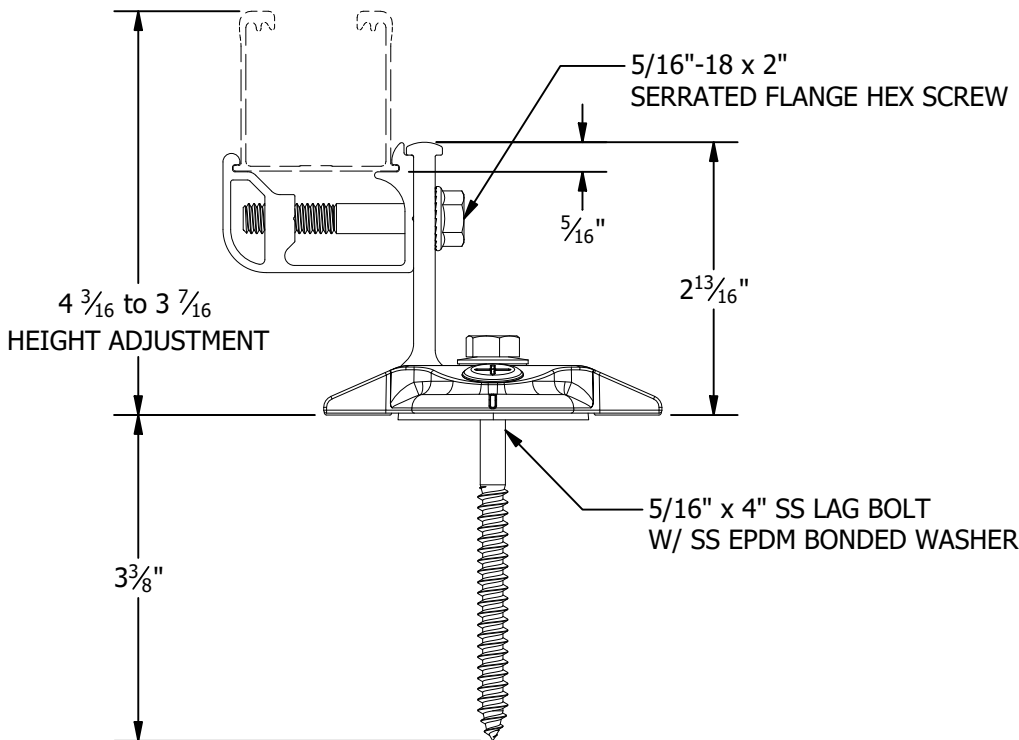
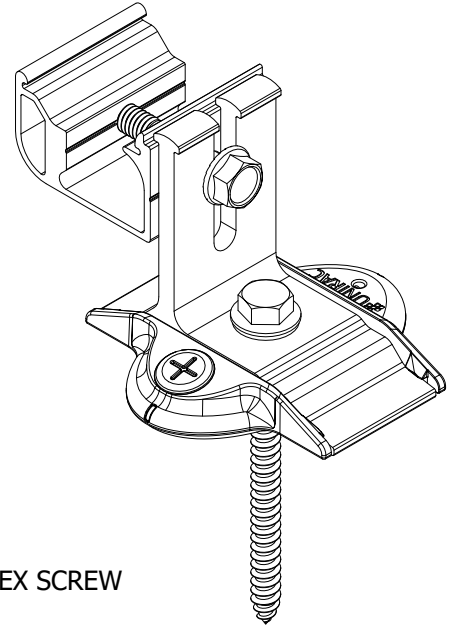
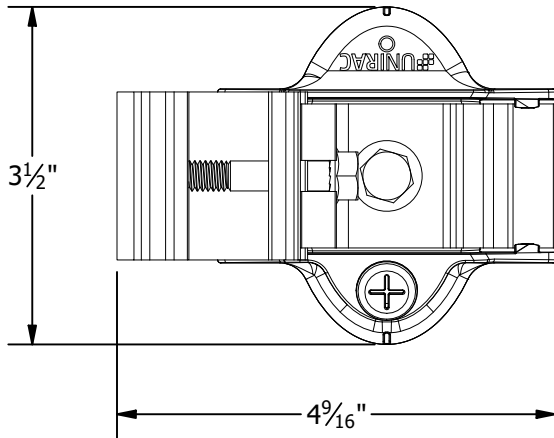
PRODUCT LINE:	NXT HORIZON
DRAWING TYPE:	PART & ASSEMBLY
DESCRIPTION:	COMBO CLAMP
REVISION DATE:	9/30/2021

DRAWING NOT TO SCALE
 ALL DIMENSIONS ARE
 NOMINAL

PRODUCT PROTECTED BY
 ONE OR MORE US PATENTS
 LEGAL NOTICE

NH-A03
 SHEET

PART # TABLE	
P/N	DESCRIPTION
SHCPKTM1	STRONGHOLD ATT KIT COMP MILL
SHCPKTD1	STRONGHOLD ATT KIT COMP DRK
SHCPKTM1-NS	STRONGHOLD ATT COMP MILL (NS)
SHCPKTD1-NS	STRONGHOLD ATT COMP DRK (NS)



UNIRAC
 1411 BROADWAY BLVD. NE
 ALBUQUERQUE, NM 87102 USA
 PHONE: 505.242.6411
 WWW.UNIRAC.COM

PRODUCT LINE:	NXT HORIZON
DRAWING TYPE:	PARTS ASSEMBLY
DESCRIPTION:	STRONGHOLD ATTACHMENT
REVISION DATE:	9/22/2021

DRAWING NOT TO SCALE
 ALL DIMENSIONS ARE
 NOMINAL

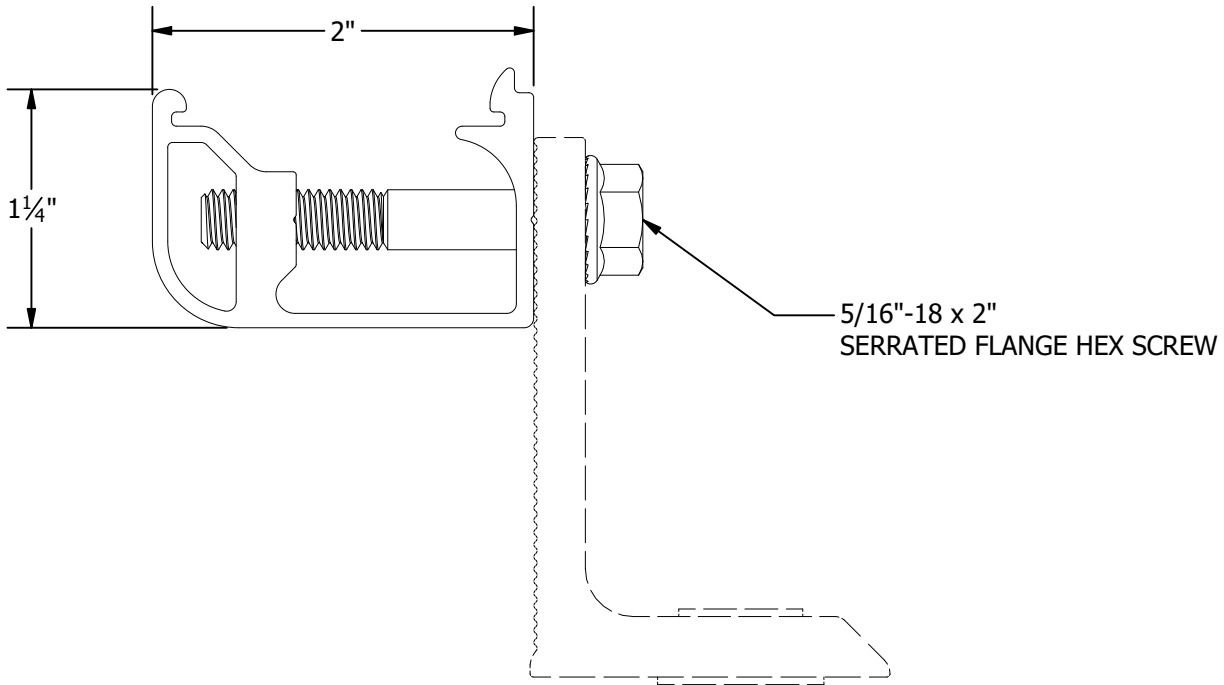
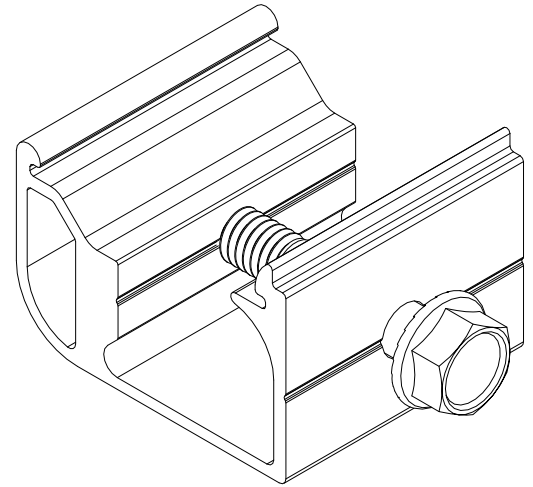
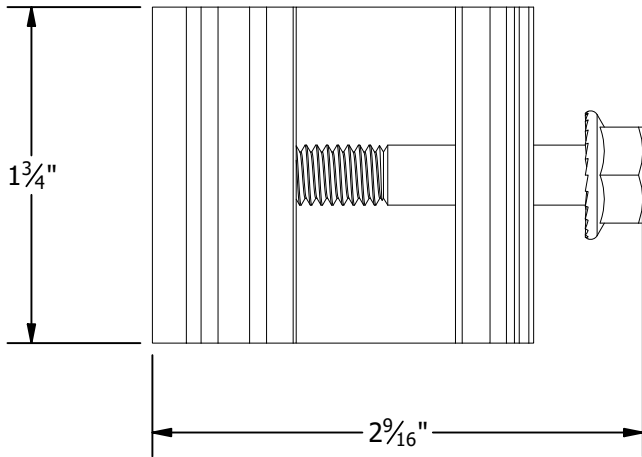
PRODUCT PROTECTED BY
 ONE OR MORE US PATENTS

LEGAL NOTICE

NH-A04
 SHEET

PART # TABLE

P/N	DESCRIPTION
SHCLMPM1	STRONGHOLD RAIL CLAMP MILL
SHCLMPD1	STRONGHOLD RAIL CLAMP DRK



1411 BROADWAY BLVD. NE
 ALBUQUERQUE, NM 87102 USA
 PHONE: 505.242.6411
 WWW.UNIRAC.COM

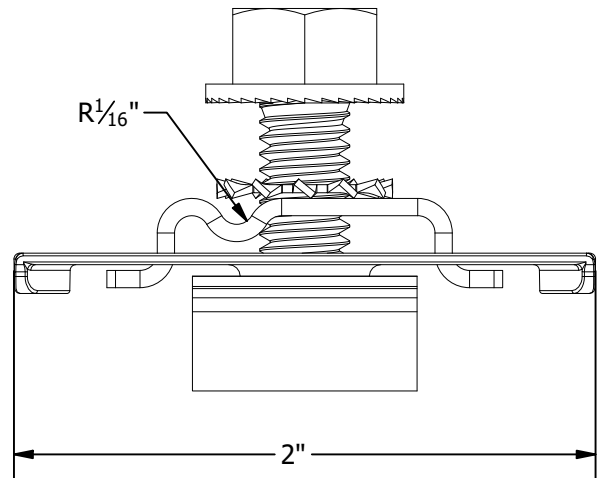
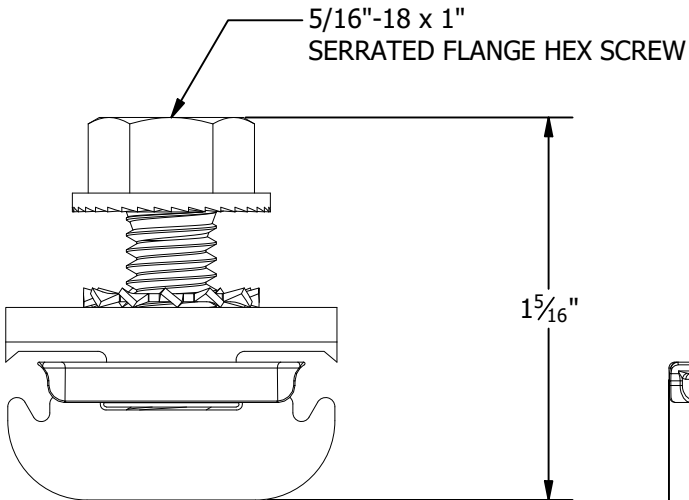
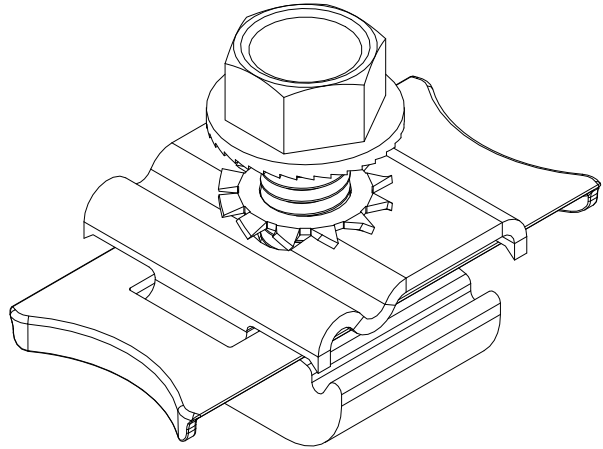
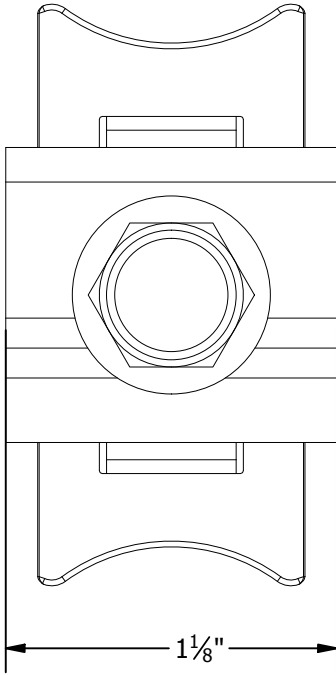
PRODUCT LINE:	NXT HORIZON
DRAWING TYPE:	PARTS ASSEMBLY
DESCRIPTION:	STRONGHOLD RAIL CLAMP
REVISION DATE:	9/22/2021

DRAWING NOT TO SCALE
 ALL DIMENSIONS ARE
 NOMINAL

PRODUCT PROTECTED BY
 ONE OR MORE US PATENTS
 LEGAL NOTICE

NH-A05
 SHEET

PART # TABLE	
P/N	DESCRIPTION
LUGMLPE1	NXT HORIZON MLPE & LUG CLAMP



1411 BROADWAY BLVD. NE
 ALBUQUERQUE, NM 87102 USA
 PHONE: 505.242.6411
 WWW.UNIRAC.COM

PRODUCT LINE:	NXT HORIZON
DRAWING TYPE:	PARTS ASSEMBLY
DESCRIPTION:	MLPE & LUG CLAMP
REVISION DATE:	9/22/2021

DRAWING NOT TO SCALE
 ALL DIMENSIONS ARE
 NOMINAL

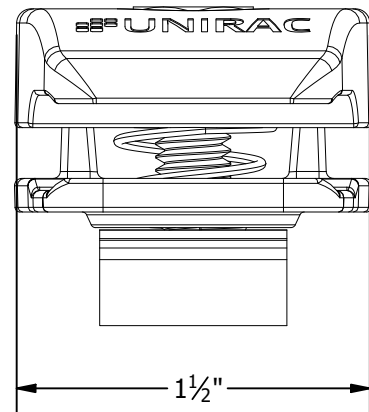
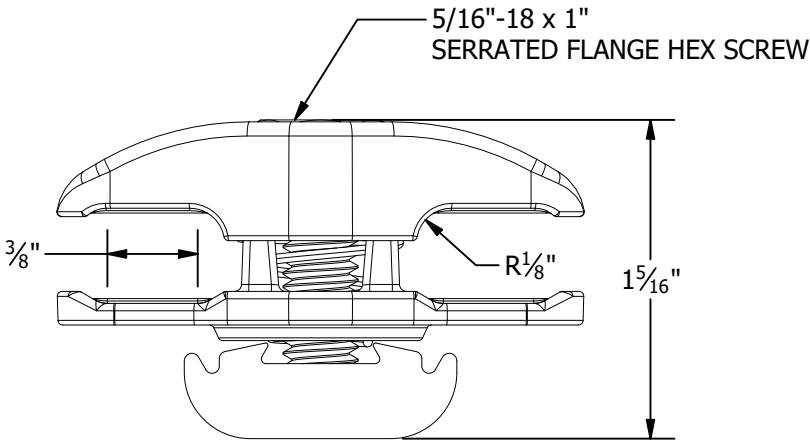
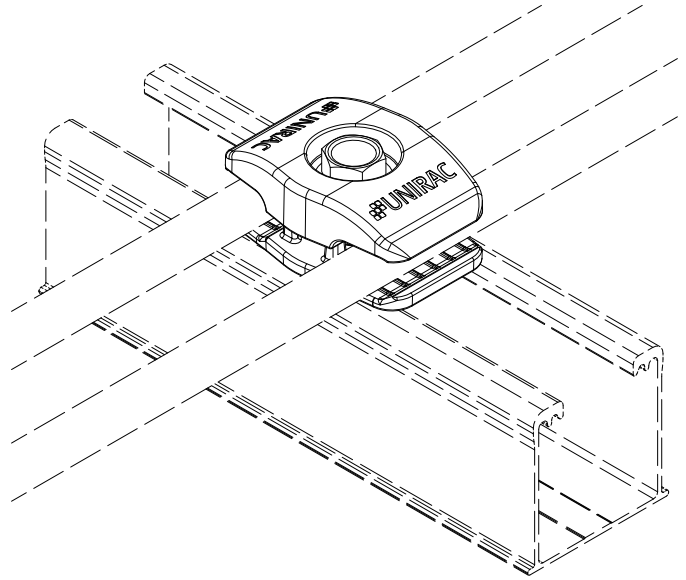
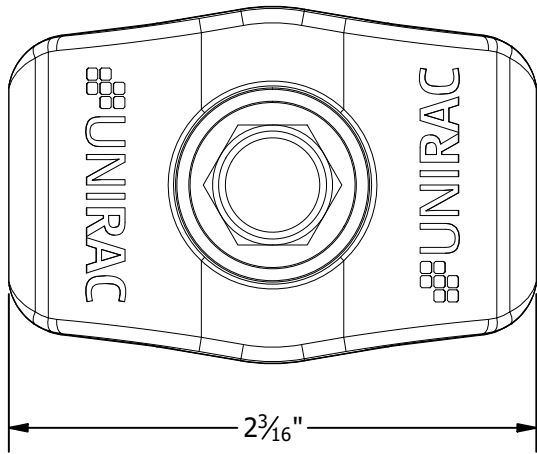
PRODUCT PROTECTED BY
 ONE OR MORE US PATENTS

LEGAL NOTICE

NH-A06

SHEET

PART # TABLE	
P/N	DESCRIPTION
WRMCNSD1	NXT HORIZON NS WIRE MGMT CLIP



UNIRAC
 1411 BROADWAY BLVD. NE
 ALBUQUERQUE, NM 87102 USA
 PHONE: 505.242.6411
 WWW.UNIRAC.COM

PRODUCT LINE:	NXT HORIZON
DRAWING TYPE:	PARTS ASSEMBLY
DESCRIPTION:	NS WIRE MGMT CLIP
REVISION DATE:	9/22/2021

DRAWING NOT TO SCALE
 ALL DIMENSIONS ARE
 NOMINAL

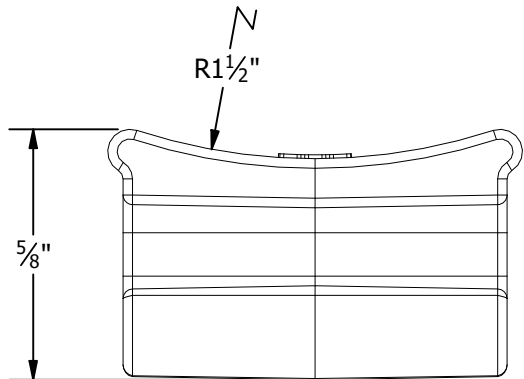
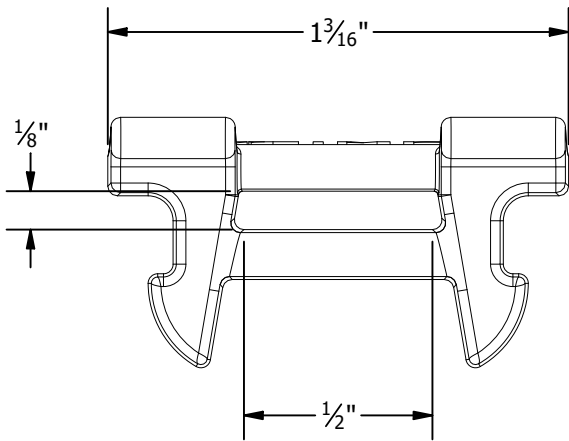
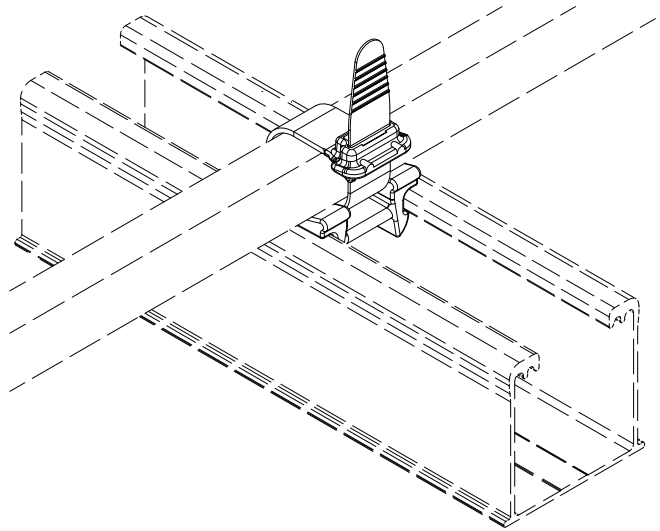
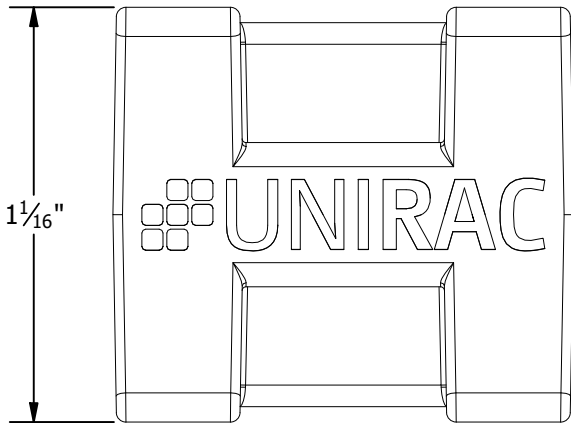
PRODUCT PROTECTED BY
 ONE OR MORE US PATENTS

LEGAL NOTICE

NH-A07

SHEET

PART # TABLE	
P/N	DESCRIPTION
WRMCLPD1	NXT HORIZON WIRE MGMT CLIP



1411 BROADWAY BLVD. NE
 ALBUQUERQUE, NM 87102 USA
 PHONE: 505.242.6411
 WWW.UNIRAC.COM

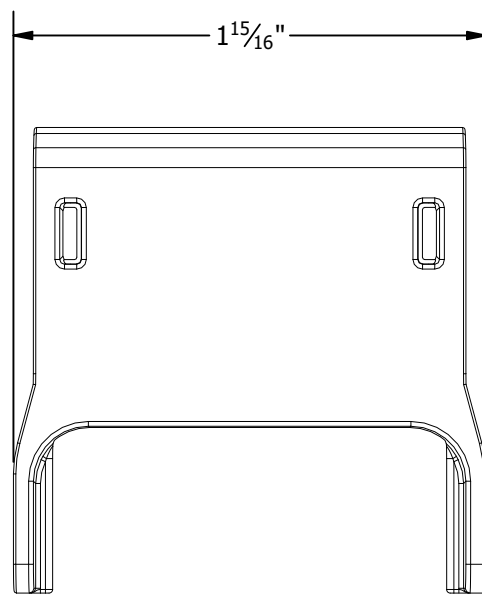
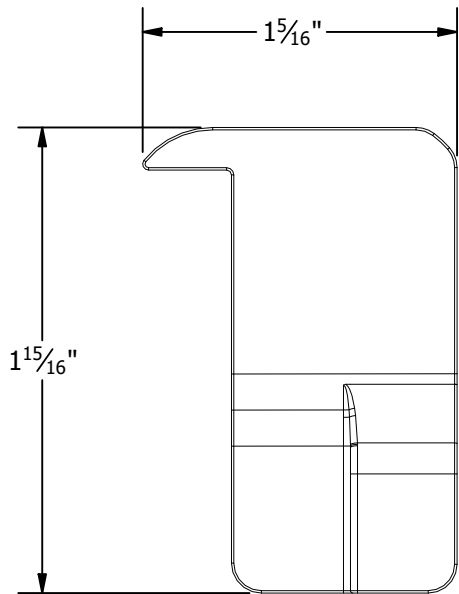
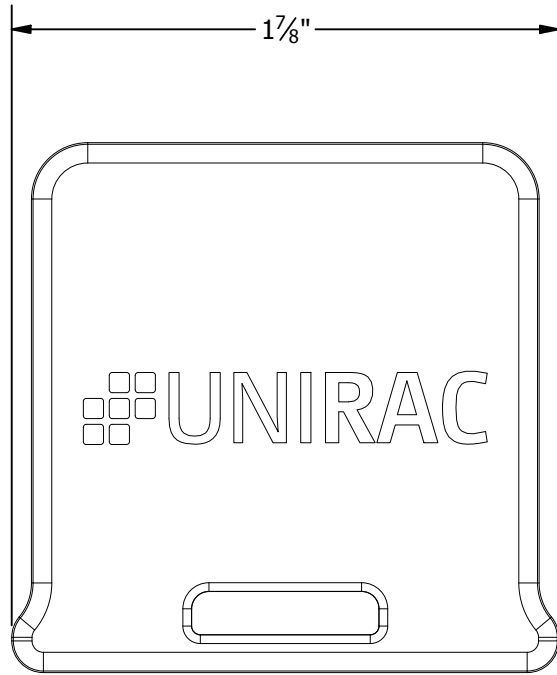
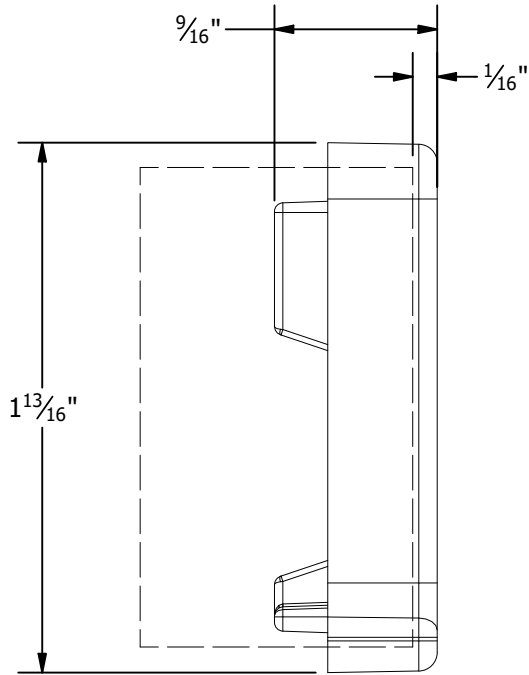
PRODUCT LINE:	NXT HORIZON
DRAWING TYPE:	PARTS
DESCRIPTION:	WIRE MGMT CLIP
REVISION DATE:	10/27/2021

DRAWING NOT TO SCALE
 ALL DIMENSIONS ARE
 NOMINAL

PRODUCT PROTECTED BY
 ONE OR MORE US PATENTS
 LEGAL NOTICE

NH-A08
 SHEET

PART # TABLE	
P/N	DESCRIPTION
ENDCAPD1	NXT HORIZON RL & CLMP CAP KIT



1411 BROADWAY BLVD. NE
 ALBUQUERQUE, NM 87102 USA
 PHONE: 505.242.6411
 WWW.UNIRAC.COM

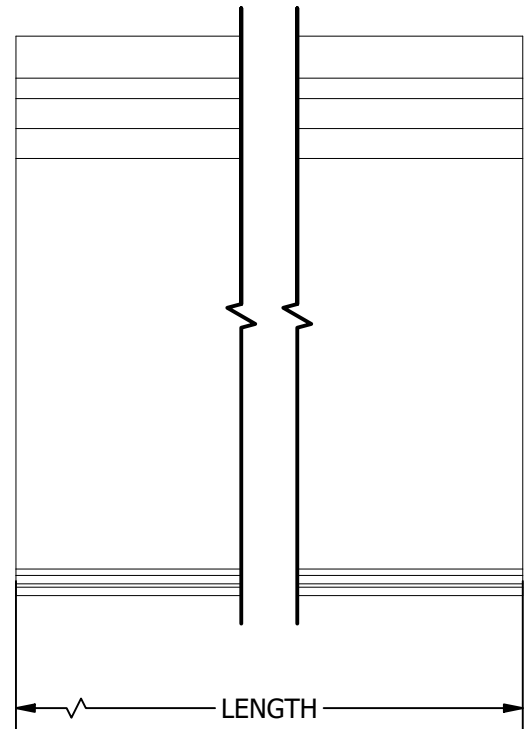
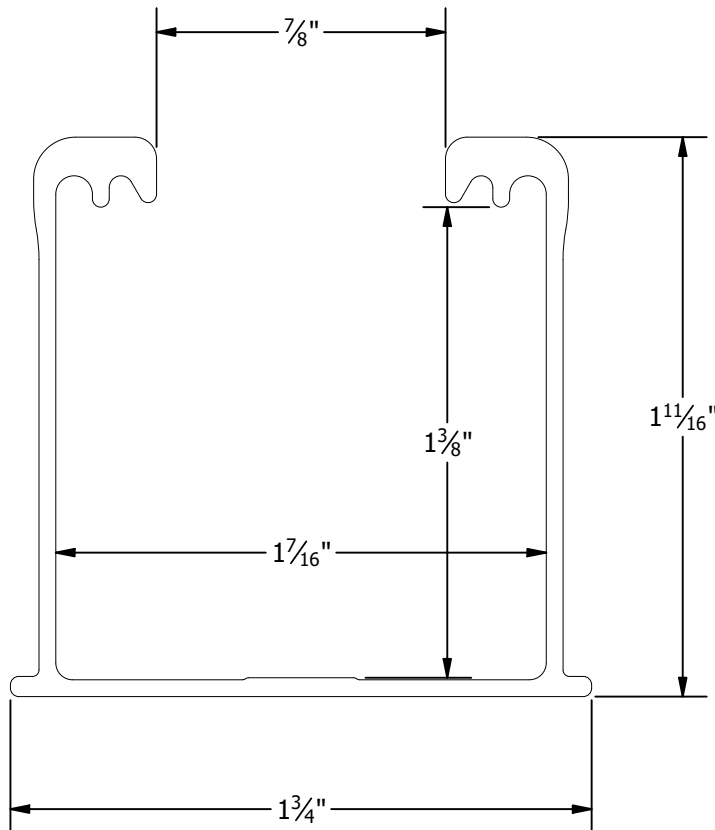
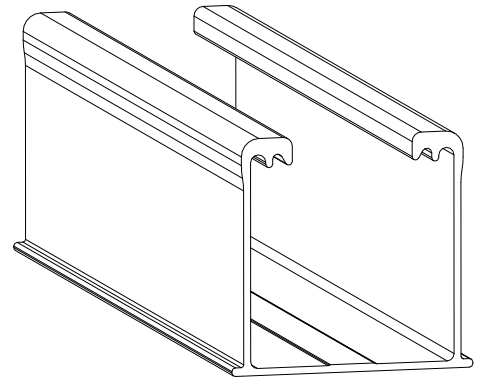
PRODUCT LINE:	NXT HORIZON
DRAWING TYPE:	PARTS
DESCRIPTION:	RAIL & CLAMP CAP
REVISION DATE:	9/15/2021

DRAWING NOT TO SCALE
 ALL DIMENSIONS ARE
 NOMINAL

PRODUCT PROTECTED BY
 ONE OR MORE US PATENTS
 LEGAL NOTICE

NH-A09
 SHEET

PART # TABLE		
P/N	DESCRIPTION	LENGTH
084RLM1	NXT HORIZON RAIL 84" MILL	84"
084RLD1	NXT HORIZON RAIL 84" DARK	84"
168RLM1	NXT HORIZON RAIL 168" MILL	168"
168RLD1	NXT HORIZON RAIL 168" DARK	168"
208RLM1	NXT HORIZON RAIL 208" MILL	208"
208RLD1	NXT HORIZON RAIL 208" DARK	208"
246RLM1	NXT HORIZON RAIL 246" MILL	246"
246RLD1	NXT HORIZON RAIL 246" DARK	246"



1411 BROADWAY BLVD. NE
 ALBUQUERQUE, NM 87102 USA
 PHONE: 505.242.6411
 WWW.UNIRAC.COM

PRODUCT LINE: NXT HORIZON

DRAWING TYPE: PART DETAIL

DESCRIPTION: RAIL

REVISION DATE: 9/13/2021

DRAWING NOT TO SCALE
 ALL DIMENSIONS ARE
 NOMINAL

PRODUCT PROTECTED BY
 ONE OR MORE US PATENTS

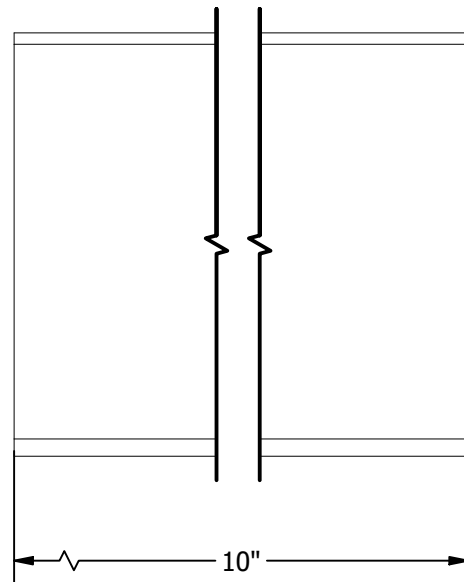
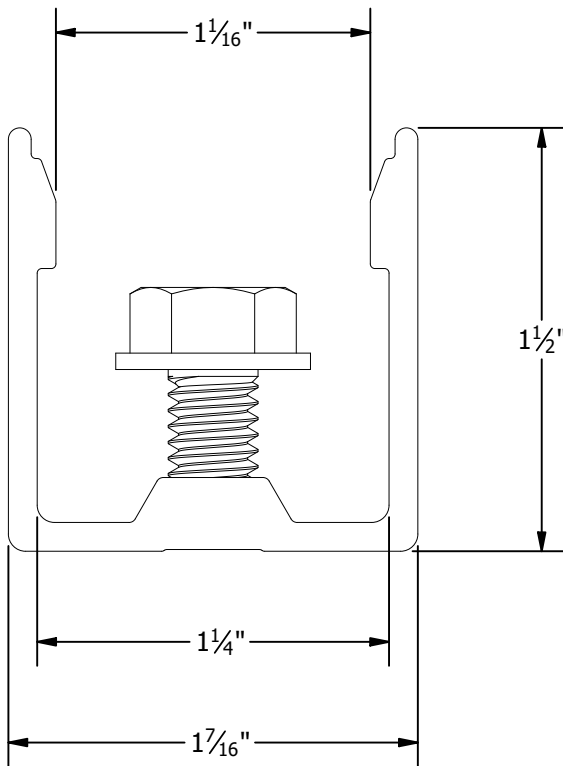
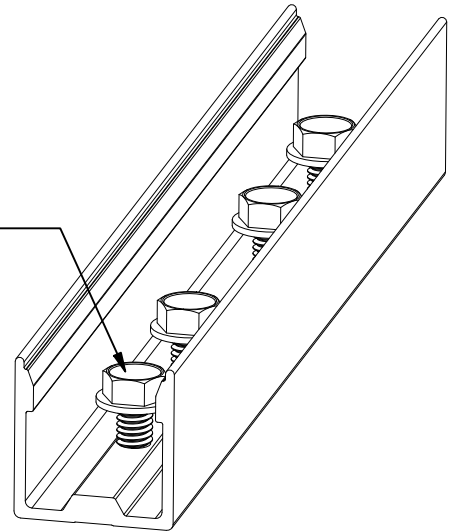
LEGAL NOTICE

NH-P01

SHEET

PART # TABLE		
P/N	DESCRIPTION	LENGTH
RLSPLCM1	NXT HORIZON RAIL SPLICE	10"

4X - 5/16"-18 x 5/8"
HEX FLANGE SCREW - TYPE F



UNIRAC
 1411 BROADWAY BLVD. NE
 ALBUQUERQUE, NM 87102 USA
 PHONE: 505.242.6411
 WWW.UNIRAC.COM

PRODUCT LINE:	NXT HORIZON
DRAWING TYPE:	PART DETAIL
DESCRIPTION:	RAIL SPLICE
REVISION DATE:	9/22/2021

DRAWING NOT TO SCALE
 ALL DIMENSIONS ARE
 NOMINAL

PRODUCT PROTECTED BY
 ONE OR MORE US PATENTS

LEGAL NOTICE

NH-P02

SHEET