





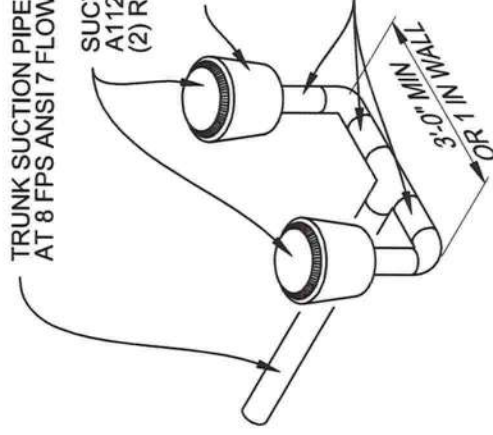
TRUNK SUCTION PIPE SIZE AT 8 FPS ANS I 7 FLOW

SUCTION OUTLETS W/ ANS I ASME A112.19.8-2007 ANTI-ENTRAPMENT COVER, (2) REQD OR (1) UNBLOCKABLE DRAIN

SUMP PER ASME A112.19.8-2007 OR COVER MFR. SPECS

ANSI 7 BRANCH PIPE SIZE AT 6 FPS AT FLOW BY:  
 • MAX FLOW @ END OF PUMP CURVE  
 • SIMPLE TDH METHOD  
 • DETAILED TDH METHOD

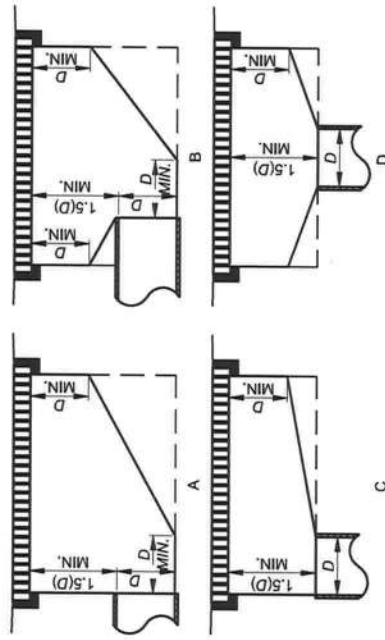
MAIN DRAINS MAY BE OMITTED ENTIRELY



B

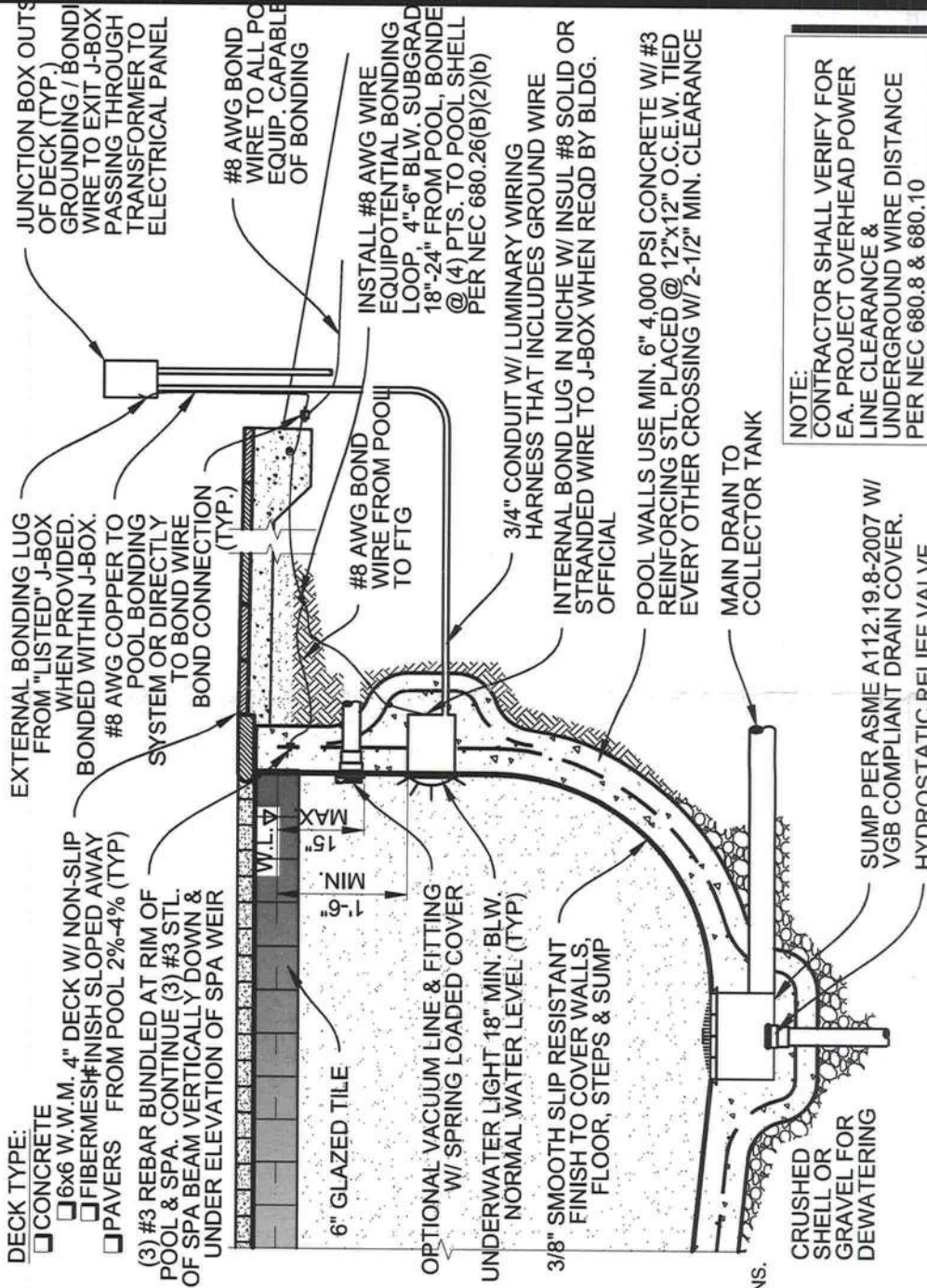
**SUMP SECTIONS PER ASME A112.19.8-2007**

SCALE: N.T.S.



**GENERAL NOTES:**  
 a. D = INSIDE DIA. OF PIPE  
 b. ALL DIMENSIONS SHOWN ARE MINIMUMS.  
 c. ALL HIDDEN LINES INDICATE SUGGESTED SUMP CONFIGURATIONS.  
**NOTES:**  
 • FIELD BUILD SUMPS MEETING THESE CRITERIA REQD WHEN MFR POTS NOT USED  
 • MAY OMIT IF LISTED COVER DOCUMENTATION STATES OTHER CLEARANCE TO SUCTION PIPE REQD

A



**NOTE:**  
 CONTRACTOR SHALL VERIFY FOR EA. PROJECT OVERHEAD POWER LINE CLEARANCE & UNDERGROUND WIRE DISTANCE PER NEC 680.8 & 680.10

**POOL DEEP END SECTION**

SCALE: N.T.S.

**NOTE**

1. APPROVED PRODUCT SPECIFICATION MAY DIFFER FROM FIELD BUILT SUMPS SHOWN ON THIS PAGE

**ADDITIONAL STRUCTURAL NOTES**

- Use minimum ASTE A815 Grade 40 Steel
- Lap #3 bars minimum 15"
- Lap #5 bars minimum 25"
- 6" Shell thickness and 2-1/2" concrete coverage are minimum
- Use 4,000 psi concrete
- It is highly recommended to use shotcrete and to have nozzle man or supervisor of shoot to hold an ACI Nozzleman Certification.
- Contractor / Owner required to:
  - Obtain a soils report for the pool area to confirm a minimum 2,000 psf soil bearing capacity
  - When buried debris is encountered or questionable conditions are indicated at the work site prior / during construction, a subsurface consultant shall conduct boring(s) in the area of the pool to confirm soil bearing capacity, clear of buried debris, & verifying ground water level
- All modified soils & earth fill under perspective pool area shall meet a soil density and compaction minimum of 95% modified proctor without settlement.

NOT FOR MASTER

PARAGON POOLS



**KIMES ENGINEERING**  
 AND MANAGEMENT SERVICES, INC.  
 13410 2nd Ave. NE, Bradenton, FL 34212  
 Office: 941-749-0311, Fax: 941-746-7360  
 kent@kimesengineering.com  
 P.E. 33678, C.A. 27189

©2010 Kimes Engineering & Management Services, Inc. This drawing is the property of Kimes Engineering & Management Services, Inc. & is not to be reproduced or copied in part or in full for the project & site specifically identified herein & not to be used on any other project. It is to be returned upon request.

DATE: REVISIONS:

DWG. BY:	MCM	PRINTED:	6-Mar-12
CHKD. BY:	JKK	SCALE:	AS NOTED
DATE:	29-Feb-12		

**TYPICAL PLAN & SECTIONS FOR RESIDENTIAL POOL/SPA**

S2

SHEET OF