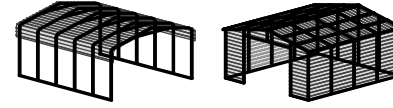


24' WIDE FRAME 'CARPORT STYLE' METAL BUILDING GENERICS



MANUFACTURED BY:

REAL STEEL METAL BUILDINGS

SCOPE OF PLANS:

1. TO PROVIDE STRUCTURAL DESIGN FOR A VARIETY OF PRE-FAB METAL BUILDINGS PER THE SPECIFIED DESIGN LOADS, AND APPLICABLE BUILDING CODES.
2. DOES NOT PROVIDE ANY ARCHITECTURAL, SITE, ZONING, HVAC, ELEC, MECH DESIGN OR REQUIREMENTS. THESE ITEMS MUST BE ADDRESSED BY THEIR RESPECTIVE PROFESSIONALS IN CHARGE.
3. DOES NOT PROVIDE ANY DOOR OR WINDOW DESIGN INFORMATION. THOSE SHALL BE ADDRESSED BY DOOR AND WINDOW MANUFACTURER.
4. THESE DOCUMENT SHALL NOT BE USED TO PERMIT OR JUSTIFY DESIGN OF AS-BUILT / EXISTING STRUCTURES OR BUILDINGS BUILT WITHOUT A PERMIT.

GENERAL DESIGN NOTES

1. THESE STRUCTURES ARE DESIGNED AS **RISK CATEGORY I (NON-HABITABLE)**, UTILITY / STORAGE / PRIVATE GARAGE / SHED TYPE BUILDINGS - THAT ONLY DESIGNED TO RESIST THE DEAD LOADS, LIVE LOADS, AND WIND LOADS LISTED UNDER "STRUCTURAL DESIGN CRITERIA". ANY ADDITIONAL LOADINGS WITHOUT RE-DESIGN OR ENGINEERING CONSULTATION SHALL NOT BE PERMITTED.
2. ALL MATERIALS IDENTIFIED BY A MANUFACTURER NAME MAY BE SUBSTITUTED WITH MATERIAL EQUAL OR EXCEEDING ORIGINAL.
3. ALL WELDED CONNECTIONS SHALL BE SHOP WELDED CONNECTIONS. **FIELD WELDING IS NOT PERMITTED NOR REQUIRED.**
4. ALL STRUCTURAL LIGHT GAUGE TUBING AND CHANNELS SHALL BE:
ASTM A500 GRADE C OR EQUAL:
Fy = 50 KSI Fu = 65 KSI
5. GYPSUM BOARD OR DRYWALL FINISH OR ANY BRITTLE BASE MATERIAL IS NOT CONSIDERED OR ACCOUNTED FOR ON THE DESIGN CRITERIA OF THIS STRUCTURE, U.N.O.

STRUCTURAL DESIGN CRITERIA

ALL CONSTRUCTION SHALL BE PROVIDED IN ACCORDANCE WITH THE PREVAILING CODES LISTED BELOW AND ALL APPLICABLE LOCAL REQUIREMENTS.

PREVAILING CODE: **FBC 2023 (IBC 2021) 8th Edition**
MINIMUM DESIGN STANDARD: **ASCE 7-22**

OCCUPANCY GROUP: U (CARPORT / UTILITY / GARAGE / SHED)
CONSTRUCTION TYPE: V - B
RISK CATEGORY: I (NON-HABITABLE)

1. ROOF DEAD LOAD (D) **2.0 PSF (COLLATERAL)**
2. ROOF LIVE LOAD (Lr) Lr = **20 to 61 PSF** (VARIES BASED ON FRAME SPACING AND DESIGN OPTIONS)
3. SNOW LOAD (S) GROUND SNOW LOAD Pg = **20 to 90 PSF** (VARIES BASED ON FRAME SPACING AND DESIGN OPTIONS)
IMPORTANCE FACTOR Is = 0.80
THERMAL FACTOR Ct = 1.2
EXPOSURE FACTOR Ce = 1.0
ROOF SLOPE FACTOR Cs = 1.0
FLAT ROOF SNOW LOAD Pf = **20 to 61 PSF**
SLOPED ROOF SNOW LOAD Ps = **20 to 61 PSF**
MINIMUM SNOW LOAD Pm = **20**

4. WIND LOAD (W) EXPOSURE C
DESIGN WIND SPEED Vult = **105 to 180 MPH** (VARIES BASED ON FRAME SPACING AND DESIGN OPTIONS)

5. SEISMIC LOAD (E) DESIGN CATEGORY C
IMPORTANCE FACTOR Ie = 1.00

ASD LOAD COMBINATIONS:

1. D + (Lr OR S)
2. D + (0.6W OR ±0.7E)
3. D + 0.75 (0.6W OR ±0.7E) + 0.75 (Lr OR S)
4. 0.6D + (0.6W OR ±0.7E)

CONTACT INFORMATION

FOR QUESTIONS OR INFORMATION NEEDED PLEASE, CONTACT THE **METAL BUILDINGS MANUFACTURER LISTED ON PLANS**. ENGINEER OF RECORD REQUIRES AUTHORIZATION FROM THE METAL BUILDINGS MANUFACTURER TO ADDRESS ANY QUERIES

THE INFORMATION CONTAINED IN THESE DRAWINGS IS THE SOLE PROPERTY OF METAL BUILDING MANUFACTURER LISTED ON THIS PAGE. ANY REPRODUCTION IN PART OR WHOLE WITHOUT THE WRITTEN PERMISSION OF METAL BUILDING MANUFACTURER LISTED BELOW IS PROHIBITED. LEGAL ACTION WILL BE TAKEN AS NECESSARY AS A RESULT.

ANY REQUESTS, CHANGES, MODIFICATIONS REVISIONS TO INFORMATION PROVIDED IN THIS DOCUMENT WILL REQUIRE A COMPLETELY SEPARATE SITE-SPECIFIC SET OF PLANS; INQUIRE WITH THE LISTED METAL BUILDING MANUFACTURER.

STRUCTURAL SHEET INDEX

COVER SHEET	1
SCHEDULES & MEMBER - SECTIONS	2
FRAME SECTIONS & DETAILS	3A, 3B
SPACING SCHEDULES & ENCLOSURE NOTES	4
PURLIN & GIRT SCHEDULES	5
SHEATHING OPTIONS	6
SIDE WALL FRAMING & OPENINGS	7A, 7B
END WALL FRAMING & OPENINGS	8A, 8B
CORNER BRACING DETAILS	9
OPTIONAL LEAN-TO ADDITION	10
FOUNDATION OPTIONS	11A TO 11D

Omar Abu-Yasein
Digitally signed by Omar Abu-Yasein
Date: 2024.02.07
14:57:34 -05'00'

ENGINEERED BY:



A&A ENGINEERING
CIVIL • STRUCTURAL

DRAWING INFORMATION

PROJECT:	24' WIDE
LOCATION:	STATE OF FLORIDA
PROJECT NO.:	356-24-0180
SHEET TITLE:	COVER SHEET
SHEET NO.:	1 / 11
DRAWN BY:	DATE:
CHECKED BY: OAA	DATE: 1/25/24

LEGAL INFORMATION

- ANY DUPLICATION OF THIS DRAWING IN WHOLE OR PART IS STRICTLY FORBIDDEN. ANYONE DOING SO WILL BE PROSECUTED UNDER THE FULL EXTENT OF THE LAW.
- DRAWINGS VALID UP TO 1 YEAR FROM DATE OF ISSUE.



STAMP EXPIRY: **02-28-2025**

DATE SIGNED: **01-25-2024**

CUSTOMER INFORMATION

OWNER: _____
ADDRESS: _____

DESIGN LOADS

GROUND SNOW: _____

ROOF LIVE LOAD: _____

BASIC WIND SPEED: _____

BUILDING INFORMATION

WIDTH: _____

LENGTH: _____

HEIGHT: _____

FRAME TYPE: A-FRAME
 REGULAR

ENCLOSURE TYPE: FULL
 PARTIAL
 OPEN

CERTIFICATION VALIDITY NOTICE

DATE OF PLANS EXPIRATION: **01-25-2025**

CERTIFICATION ON THESE DRAWINGS IS VALID FOR ONE YEAR FROM DATE OF ISSUE

TABLE 2.1: MEMBER PROPERTIES

NO.	LABEL	PROPERTY	DETAIL NO.
1	COLUMN POST	2.5" X 2.5" X 14GA TUBE	1
2	ROOF BEAM	2.5" X 2.5" X 14GA TUBE	1
3	BASE RAIL	2.5" X 2.5" X 14GA TUBE	1
4	PEAK BRACE	2.5" X 2.5" 14GA CHANNEL	4
5	KNEE BRACES	2.5" X 1.5" 14GA CHANNEL	4
6	CONNECTOR SLEEVE	2.25" X 2.25" X 12GA TUBE	2
7	BASE ANGLE	2" X 2" X 3" LG. 3/16" ANGLE	10
8	PURLIN	4" X 1" X 14GA / 18GA HAT CHANNEL	5
9	GIRT	4" X 1" X 14GA / 18GA HAT CHANNEL	5
9A	OPT. END WALL GIRT	2.5" X 1.5" 14GA CHANNEL	1
10	SHEATHING	29 GA CORRUGATED SHEET	8
11	END WALL POST	2.5" X 2.5" X 14GA TUBE	1
12	DOOR POST	2.5" X 2.5" X 14GA TUBE	1
13	SINGLE HEADER	2.5" X 2.5" X 14GA TUBE	1
14	DOUBLE HEADER	DBL. 2.5" X 2.5" X 14GA TUBE	1
15	SERVICE DOOR / WINDOW FRAMING	2.5" X 2.5" X 14GA TUBE	1
16	ANGLE BRACKET	2" X 2" X 2" LG. 14GA ANGLE	7
17	STRAIGHT BRACKET	2" X 2" X 4" LG. 14GA PLATE	6
18	PB SUPPORT	2.5" X 2.5" X 14GA TUBE	1
19	DIAGONAL BRACE	2" X 2" X 14 GA TUBE	3
20	GABLE BRACE	2" X 2" X 14 GA TUBE	3
21	DB BRACKET	2.25" X 2.25" X 6" LG. 14GA ANGLE	9
22	TRUSS SPACER	2.5" X 2.5" X 14GA TUBE	1
23	ALL FASTENERS	#12 X 1" SELF-DRILL SCREWS (ESR-2196 OR EQ) W/ NEOPRENE/STEEL WASHER	

TABLE 2.2: SHEATHING FASTENER SCHEDULE

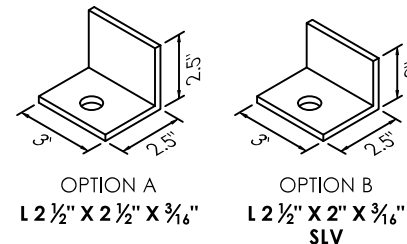
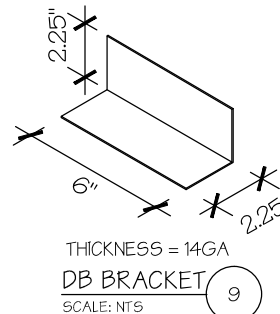
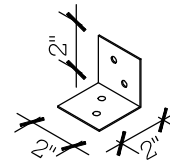
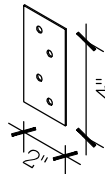
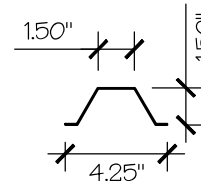
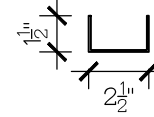
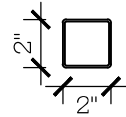
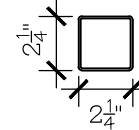
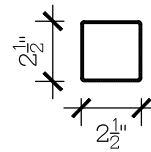
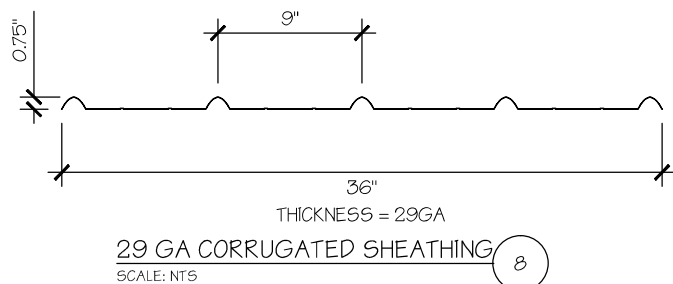
LOCATION	CORNER PANELS	SIDE LAPS	EDGE LAPS	ELSEWHERE
SPACING	9" C/C	MIN. 1	4 1/2" C/C	9" C/C

FASTENER TYPE: #12X1" SELF-DRILL SCREWS (ESR-2196 OR EQ) W/ NEOPRENE/STEEL WASHER

*SEE TYP. SHEATHING FASTENER SCHEDULE DIAGRAM ON PAGE 6.

TABLE 2.3: GAUGE THICKNESS

GAUGE	29	18	14	12
THICKNESS (IN)	0.0135	0.049	0.083	0.109



MANUFACTURED BY:

REAL STEEL METAL BUILDINGS

ENGINEERED BY:



DRAWING INFORMATION

PROJECT: 24' WIDE

LOCATION: STATE OF FLORIDA

PROJECT NO.: 356-24-0180

SHEET TITLE:

SCHEDULES & MEMBER SECTIONS

SHEET NO.: 2 / 11

CHECKED BY: OAA DATE: 1/25/24

LEGAL INFORMATION

- ANY DUPLICATION OF THIS DRAWING IN WHOLE OR PART IS STRICTLY FORBIDDEN. ANYONE DOING SO WILL BE PROSECUTED UNDER THE FULL EXTENT OF THE LAW. - DRAWINGS VALID UP TO 1 YEAR FROM DATE OF ISSUE.

SEAL:



STAMP EXPIRY: 02-28-2025

DATE SIGNED: 01-25-2024

MANUFACTURED BY:

REAL STEEL METAL BUILDINGS

ENGINEERED BY:



A&A ENGINEERING
CIVIL • STRUCTURAL

DRAWING INFORMATION

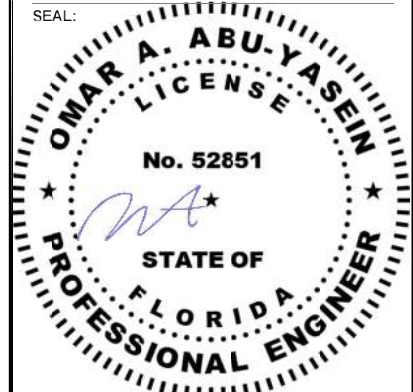
PROJECT: 24' WIDE
 LOCATION: STATE OF FLORIDA
 PROJECT NO.: 356-24-0180
 SHEET TITLE: FRAME SECTIONS & DETAILS
 SHEET NO.: 3-A / 11

CHECKED BY: OAA DATE: 1/25/24

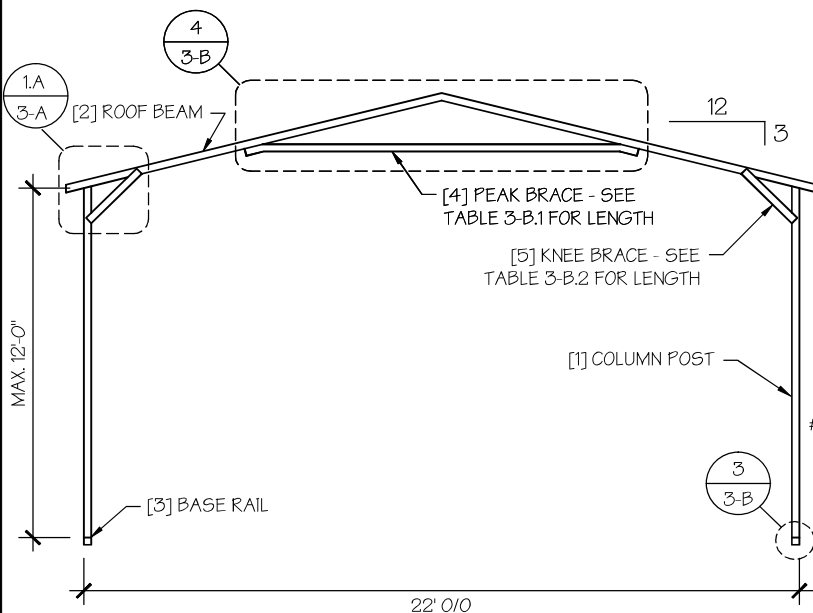
LEGAL INFORMATION

- ANY DUPLICATION OF THIS DRAWING IN WHOLE OR PART IS STRICTLY FORBIDDEN. ANYONE DOING SO WILL BE PROSECUTED UNDER THE FULL EXTENT OF THE LAW.
 - DRAWINGS VALID UP TO 1 YEAR FROM DATE OF ISSUE.

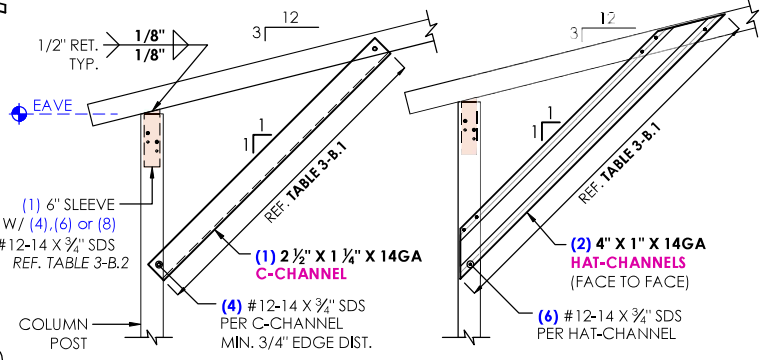
SEAL:



STAMP EXPIRY: 02-28-2025
 DATE SIGNED: 01-25-2024

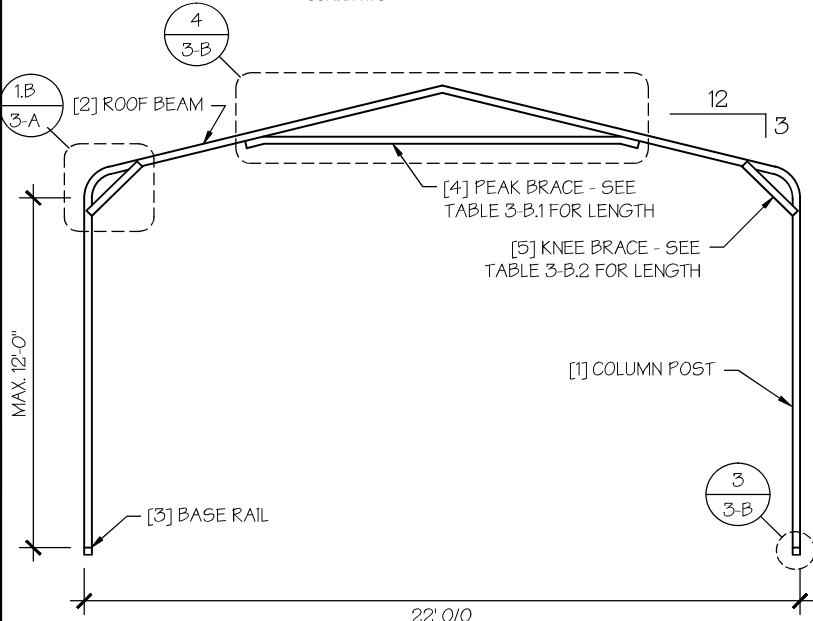


TYP. A-FRAME SECTION
SCALE: NTS

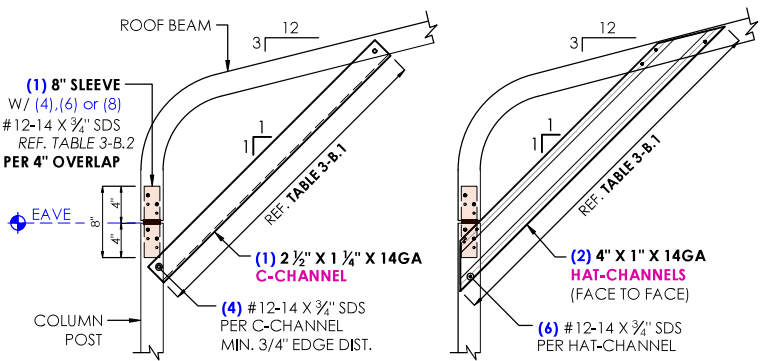


4 SIDES FULLY ENCLOSED ONLY ANY ENCLOSURE

1A A-FRAME (BOXED) STYLE - EAVE DETAIL
SCALE: NTS

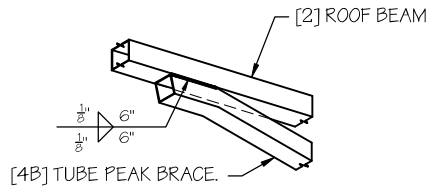


TYP. REGULAR FRAME SECTION
SCALE: NTS

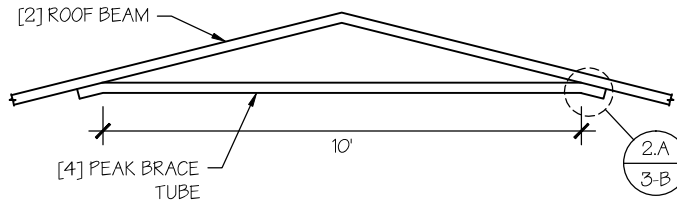


4 SIDES FULLY ENCLOSED ONLY ANY ENCLOSURE

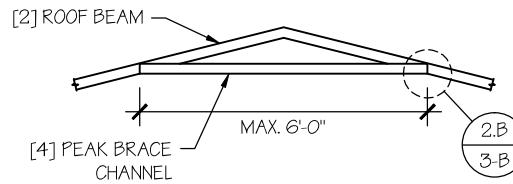
1B REGULAR (BENT-BOW) STYLE - EAVE DETAIL
SCALE: NTS



A. PEAK BRACE TUBE

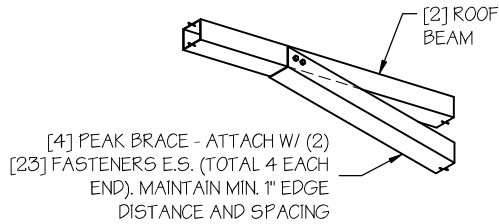


A. WELDED PEAK BRACE



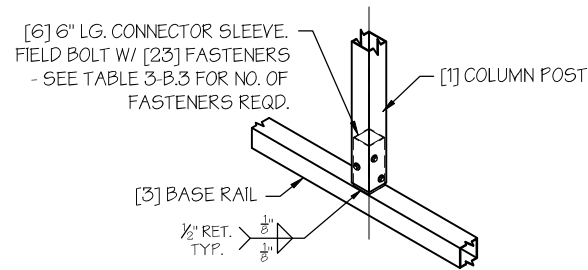
B. CHANNEL PEAK BRACE

PEAK BRACE DETAILS 4
SCALE: NTS



B. PEAK BRACE CHANNEL

PEAK BRACE CONNECTION DETAILS 2
SCALE: NTS



BASE DETAIL 3
SCALE: NTS

TABLE 3-B.1: PEAK BRACE SCHEDULE

GROUND SNOW / ROOF LIVE LOAD (PSF)	WIND SPEED	
	□ 105 TO 130	□ 140 TO 180
□ 30 / 20	6'	10'
□ 35 / 25 TO 90 / 61	10'	10'

TABLE 3-B.2: KNEE BRACE SCHEDULE

EAVE HEIGHT	KNEE BRACE LENGTH
□ UP TO 8'	24"
□ 9' TO 12'	36"

TABLE 3-B.3 FASTENER SCHEDULE

WIND SPEED (MPH)	NO. OF FASTENERS
□ 105 TO 125	4
□ 130 TO 155	6
□ 160 TO 180	8

NOTE: COLUMN POST MAY BE ADJUSTED ±1" FOR LEVELING. MANUFACTURER IS NOT RESPONSIBLE FOR LEVELING OF GROUND AND/OR CONCRETE SURFACE PROVIDED BY OTHERS.

MANUFACTURED BY:

REAL STEEL METAL BUILDINGS

ENGINEERED BY:



A&A ENGINEERING
CIVIL • STRUCTURAL

DRAWING INFORMATION

PROJECT: 24' WIDE
LOCATION: STATE OF FLORIDA
PROJECT NO.: 356-24-0180
SHEET TITLE:

FRAME DETAILS

SHEET NO.: 3-B / 11

CHECKED BY: OAA DATE: 1/25/24

LEGAL INFORMATION

- ANY DUPLICATION OF THIS DRAWING IN WHOLE OR PART IS STRICTLY FORBIDDEN. ANYONE DOING SO WILL BE PROSECUTED UNDER THE FULL EXTENT OF THE LAW.
- DRAWINGS VALID UP TO 1 YEAR FROM DATE OF ISSUE.
SEAL:



STAMP EXPIRY: 02-28-2025
DATE SIGNED: 01-25-2024

MANUFACTURED BY:

REAL STEEL METAL BUILDINGS

ENGINEERED BY:



A&A ENGINEERING
CIVIL • STRUCTURAL

DRAWING INFORMATION

PROJECT: 24' WIDE

LOCATION: STATE OF FLORIDA

PROJECT NO.: 356-24-0180

SHEET TITLE:

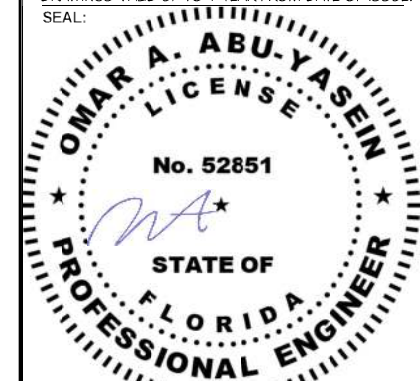
SPACING SCHEDULES
& ENCLOSURE NOTES

SHEET NO.: 4 / 11

CHECKED BY: OAA DATE: 1/25/24

LEGAL INFORMATION

- ANY DUPLICATION OF THIS DRAWING IN WHOLE OR PART IS STRICTLY FORBIDDEN. ANYONE DOING SO WILL BE PROSECUTED UNDER THE FULL EXTENT OF THE LAW. - DRAWINGS VALID UP TO 1 YEAR FROM DATE OF ISSUE. SEAL:



STAMP EXPIRY: 02-28-2025

DATE SIGNED: 01-25-2024

TABLE 4: FRAME SPACING CHART / SCHEDULE

EAVE HEIGHT = 10'-0" TO 12'-0"	GROUND SNOW / ROOF LIVE LOAD (PSF)	ENCLOSED BUILDINGS							OPEN BUILDINGS						
		WIND SPEED (MPH)							WIND SPEED (MPH)						
		105	115	130	140	155	165	180	105	115	130	140	155	165	180
30 / 20	60	60	54/60	54	42	42	36	48	48	48	42	36	30	24	
40 / 27	48/60	48/60	42/60	42/54	42	42	36	42	42	42	42	36	30	24	
50 / 34	40/48	40/48	40/48	40/48	40/42	40/42	36	30	30	30	30	30	30	24	
60 / 41	36	36	36	36	36	36	36	30	30	30	30	30	30	24	
70 / 47	30	30	30	30	30	30	30	24	24	24	24	24	24	24	
80 / 54	24	24	24	24	24	24	24	24	24	18	18	18	18	18	
90 / 61	---	---	---	---	---	---	---	---	---	---	---	---	---	---	
30 / 20	60	60	54/60	54	48	42/48	42	54	54	48/54	42/54	36/48	36	30	
40 / 27	48/60	48/60	42/60	42/54	42/48	42/48	42	42	42	42	42	36/42	36	30	
50 / 34	40/48	40/48	40/48	40/48	40/48	40/48	40/42	36	36	36	36	36	36	30	
60 / 41	36	36	36	36	36	36	36	30	30	30	30	30	30	30	
70 / 47	30	30	30	30	30	30	30	24	24	24	24	24	24	24	
80 / 54	24	24	24	24	24	24	24	24	24	24	24	24	24	24	
90 / 61	---	---	---	---	---	---	---	---	---	---	---	---	---	---	
30 / 20	60	60	54/60	54	48	42/48	42	60	54/60	48/60	42/54	36/48	36/42	36	
40 / 27	48/60	48/60	42/60	42/54	42/48	42/48	42	48	48	42/48	42/48	36/48	36/42	36	
50 / 34	40/48	40/48	40/48	40/48	40/48	40/48	40/42	40/42	40/42	40/42	40/42	36/42	36	36	
60 / 41	36	36	36	36	36	36	36	36	36	36	36	36	36	30	
70 / 47	30	30	30	30	30	30	30	30	30	30	30	30	30	30	
80 / 54	24	24	24	24	24	24	24	24	24	24	24	24	24	24	
90 / 61	---	---	---	---	---	---	---	---	---	---	---	---	---	---	

NOTES:

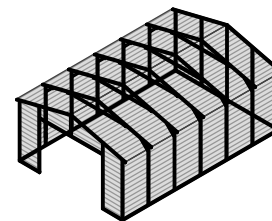
1. FRAME SPACINGS ARE IN UNITS OF INCHES (IN).
2. WHERE TWO VALUES ARE SHOWN, THE HIGHER VALUE CAN ONLY BE USED FOR VERTICAL ROOF SHEATHING
3. SNOW LOADS AND ROOF LIVE LOADS ARE IN POUNDS PER SQUARE FOOT (PSF). WIND SPEED IS 3 SEC. GUST IN MILES PER HOUR (MPH).
4. FOR VALUES THAT LIE BETWEEN TWO CELLS, THE HIGHER (MORE STRINGENT) VALUE HAS TO BE USED. INTERPOLATION BETWEEN CELLS IS NOT ALLOWED.

ENCLOSURE CLASSIFICATION:

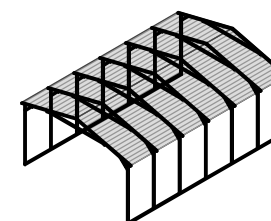
1. ENCLOSED BUILDING = ALL 4 WALLS FULLY ENCLOSED WITH DOORS/WINDOWS = USE ENCLOSED BUILDING SPACING CHART.
2. OPEN BUILDING = ALL 4 WALLS FULLY OPEN = USE OPEN BUILDING SPACING CHART.
3. 3FT PARTIALLY ENCLOSED = BOTH END-WALLS FULLY OPEN, WITH BOTH SIDE-WALLS ONLY 3FT ENCLOSED = USE OPEN BUILDING SPACING CHART.
4. PARTIALLY ENCLOSED = BOTH END-WALLS FULLY OPEN, WITH BOTH SIDE-WALLS ENCLOSED MORE THAN 3FT = START WITH OPEN BUILDING SPACING CHART AND THEN REDUCE SPACING BY 6".
5. 3 SIDED ENCLOSED = ALL WALLS ARE ENCLOSED EXCEPT FOR 1 END-WALL = START WITH ENCLOSED BUILDING SPACING + THE OPEN END FRAME MUST HAVE EITHER A GABLED END OR HAVE DOUBLED WELDED LEGS & ROOF.
6. FOR ALL SHEATHING ENCLOSURES NOT LISTED ABOVE, REFER TO SHEET 5 FOR SPACING AND DESIGN REQUIREMENTS.

GENERAL NOTES:

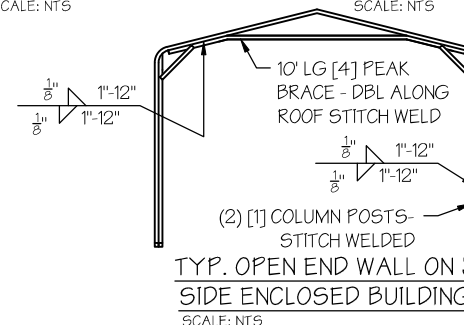
1. THE MAX. BUILDING LENGTH FOR ENCLOSED BUILDINGS IS 50'-0". THIS CAN BE INCREASED BY ADDING A DOUBLE FRAME AT THE CENTER TO BREAK THE LENGTH OF THE BUILDING.
2. BUILDINGS WITH PARTIALLY ENCLOSED END WALLS NEED TO HAVE SIDE WALL BRACING TO SUPPORT THE PARTIALLY ENCLOSED END WALL. (SEE FIGURE A ON SHEET 5).
3. ALL BUILDINGS WITH AN OPEN END WALL MUST HAVE A 10'-0" TUBE PEAK BRACE.



TYP. ENCLOSED BUILDING
SCALE: NTS



TYP. OPEN BUILDING
SCALE: NTS



(2) [1] COLUMN POSTS - STITCH WELDED
TYP. OPEN END WALL ON 3
SIDE ENCLOSED BUILDING
SCALE: NTS

TABLE 5.1: PURLIN SPACING SCHEDULE

GROUND SNOW / ROOF LIVE LOAD (PSF)	14GA. HAT CHANNEL PURLIN							18GA. HAT CHANNEL PURLIN						
	WIND SPEED (MPH)							WIND SPEED (MPH)						
	105	115	130	140	155	165	180	105	115	130	140	155	165	180
30 / 20	54	48	42	36	30	24	24	36	30	24	18	18	12	12
40 / 27	42	42	42	36	30	24	24	30	30	24	18	18	12	12
50 / 34	40	40	40	36	30	24	24	24	24	24	18	18	12	12
60 / 41	36	36	36	36	30	24	24	18	18	18	18	18	12	12
70 / 47	32	32	32	32	30	24	24	18	18	18	18	18	12	12
80 / 54	30	30	30	30	30	24	24	18	18	18	18	18	12	12
90 / 61	24	24	24	24	24	24	24	12	12	12	12	12	12	12
30 / 20	54	48	42	42	36	30	30	48	36	30	24	18	18	12
40 / 27	42	42	42	42	36	30	30	42	36	30	24	18	18	12
50 / 34	40	40	40	40	36	30	30	30	30	30	24	18	18	12
60 / 41	36	36	36	36	36	30	30	30	30	30	24	18	18	12
70 / 47	32	32	32	32	32	30	30	30	30	30	24	18	18	12
80 / 54	32	32	32	32	32	30	30	24	24	24	24	18	18	12
90 / 61	30	30	30	30	30	30	30	24	24	24	24	18	18	12
30 / 20	54	48	42	42	36	36	30	54	48	36	30	24	24	18
40 / 27	42	42	42	42	36	36	30	42	42	36	30	24	24	18
50 / 34	40	40	40	40	36	36	30	40	40	36	30	24	24	18
60 / 41	36	36	36	36	36	36	30	36	36	36	36	30	24	18
70 / 47	32	32	32	32	32	32	30	32	32	32	32	30	24	18
80 / 54	32	32	32	32	32	32	30	32	32	32	32	30	24	18
90 / 61	30	30	30	30	30	30	30	30	30	30	30	30	24	18
30 / 20	54	48	42	42	36	36	30	54	48	42	42	36	36	30
40 / 27	42	42	42	42	36	36	30	42	42	42	42	36	36	30
50 / 34	40	40	40	40	36	36	30	40	40	40	40	36	36	30
60 / 41	36	36	36	36	36	36	30	36	36	36	36	36	36	30
70 / 47	32	32	32	32	32	32	30	32	32	32	32	32	32	30
80 / 54	32	32	32	32	32	32	30	32	32	32	32	32	32	30
90 / 61	30	30	30	30	30	30	30	30	30	30	30	30	30	30

- NOTES:
- PURLIN SPACING UNITS ARE IN INCHES.
 - FRAME SPACING NEEDS TO BE DETERMINED FROM TABLE 4.

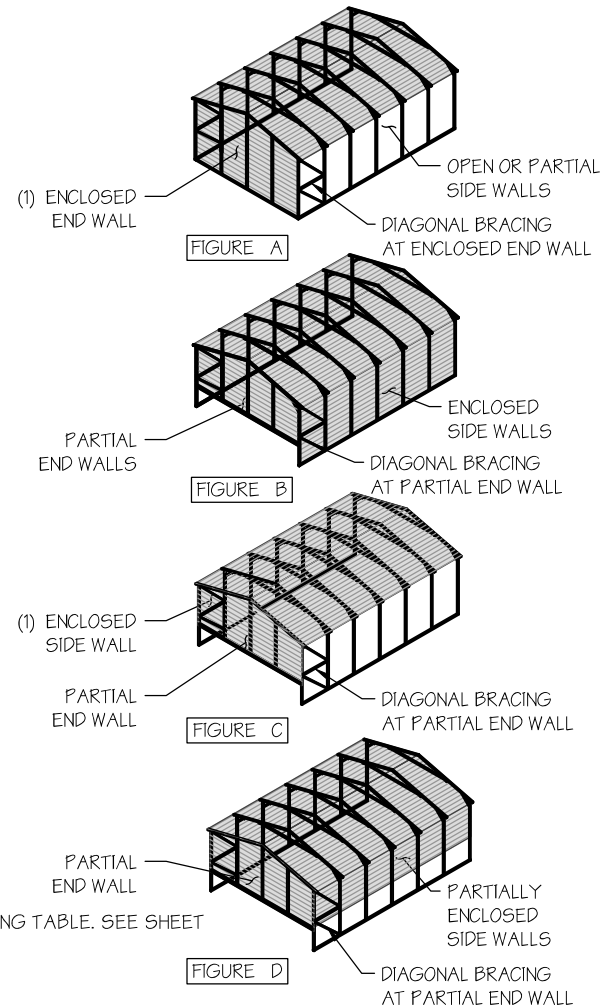
IRREGULAR BUILDING NOTES:

- FIGURES A, B, C & D ON THE RIGHT INDICATE EXAMPLES OF IRREGULAR BUILDINGS.
- FOR IRREGULAR BUILDINGS, FRAME SPACING MUST BE REDUCED BY 6" FROM OPEN BUILDING SPACING TABLE. SEE SHEET 4 FOR OPEN BUILDING TABLE.
- SITE SPECIFICS MAY ALLOW FOR ALTERNATIVE SPACING.
- IRREGULAR BUILDING & BUILDINGS W/ MORE THAN 2 SIDE OPENINGS MUST HAVE A 10' TUBE PEAK BRACE ON ALL FRAMES.

TABLE 5.2: GIRT SPACING SCHEDULE

FRAME SPACING	WIND SPEED (MPH)						
	105	115	130	140	155	165	180
5'-0"	60	48	36	30	24	24	18
4'-6"	60	60	48	42	36	30	24
4'-0"	60	60	54	54	42	36	30
3'-6"	60	60	54	54	48	42	42
2'-0" TO 3'-0"	60	60	54	54	48	42	42

- NOTES:
- GIRT SPACING UNITS ARE IN INCHES.
 - THIS SCHEDULE IS TO BE USED FOR BOTH 14GA AND 18 GA PURLINS.
 - FRAME SPACING NEEDS TO BE DETERMINED FROM TABLE 4.



MANUFACTURED BY:

REAL STEEL METAL BUILDINGS

ENGINEERED BY:



DRAWING INFORMATION

PROJECT: 24' WIDE
 LOCATION: STATE OF FLORIDA
 PROJECT NO.: 356-24-0180
 SHEET TITLE: PURLIN & GIRT SPACING SCHEDULES
 SHEET NO.: 5 / 11

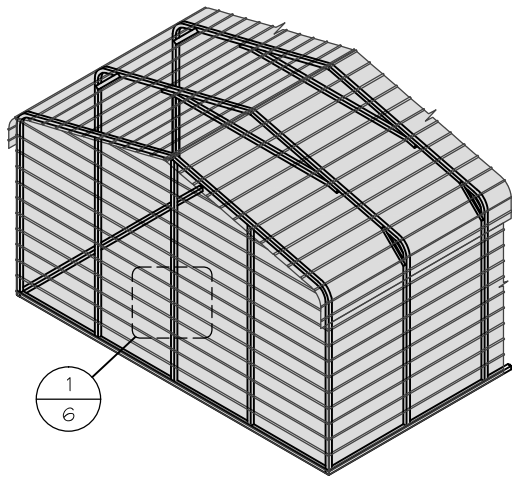
CHECKED BY: OAA DATE: 1/25/24

LEGAL INFORMATION

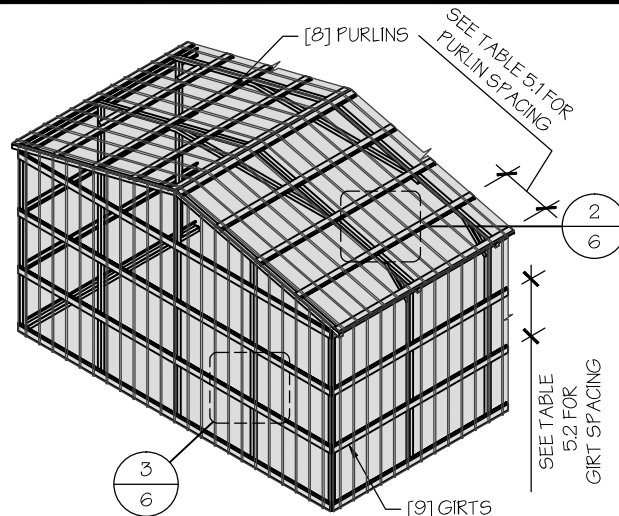
- ANY DUPLICATION OF THIS DRAWING IN WHOLE OR PART IS STRICTLY FORBIDDEN. ANYONE DOING SO WILL BE PROSECUTED UNDER THE FULL EXTENT OF THE LAW. - DRAWINGS VALID UP TO 1 YEAR FROM DATE OF ISSUE. SEAL:



STAMP EXPIRY: 02-28-2025
 DATE SIGNED: 01-25-2024



□ TYP. HORIZONTAL SHEATHING
SCALE: NTS



□ TYP. VERTICAL SHEATHING
SCALE: NTS

GENERAL SHEATHING NOTES:

1. REGULAR STYLE BUILDINGS CAN ONLY HAVE HORIZONTAL SHEATHING ON ROOF AND WALLS.
2. A-FRAME STYLE BUILDINGS CAN HAVE ANY COMBINATION OF HORIZONTAL OR VERTICAL SHEATHING ON ROOFS AND WALLS.
3. BOTH HORIZONTAL AND VERTICALS ROOF SHEATHING CAN HAVE MAX. 6" OVERHANG.
4. USING VERTICAL SHEATHING MAY ALLOW FOR GREATER FRAME SPACING. SEE NOTE 2 UNDER TABLE 4.
5. VERTICAL SHEATHING RECOMMENDED FOR BUILDINGS 30' OR LONGER

MANUFACTURED BY:

**REAL STEEL
METAL
BUILDINGS**

ENGINEERED BY:



A&A ENGINEERING
CIVIL • STRUCTURAL

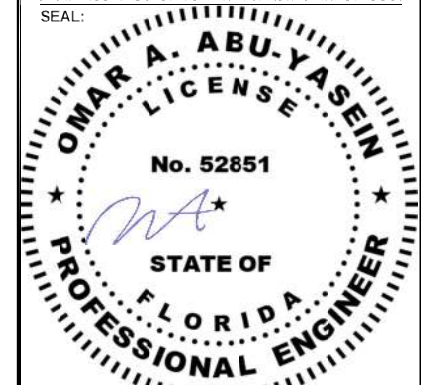
DRAWING INFORMATION

PROJECT: 24' WIDE
LOCATION: STATE OF FLORIDA
PROJECT NO.: 356-24-0180
SHEET TITLE:
SHEATHING OPTIONS & DETAILS
SHEET NO.: 6 / 11

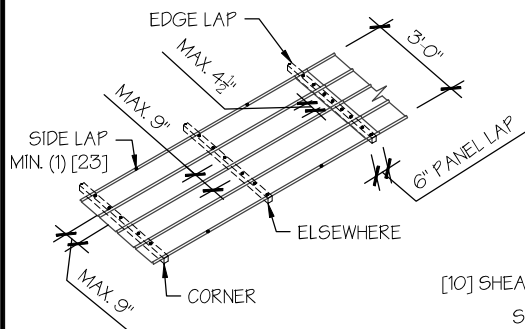
CHECKED BY: OAA DATE: 1/25/24

LEGAL INFORMATION

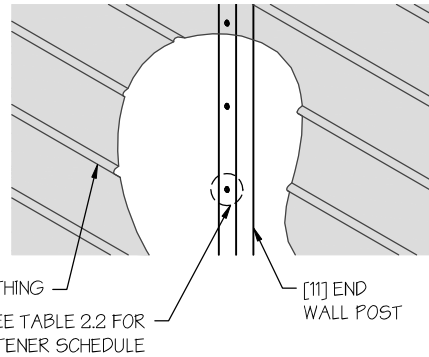
- ANY DUPLICATION OF THIS DRAWING IN WHOLE OR PART IS STRICTLY FORBIDDEN. ANYONE DOING SO WILL BE PROSECUTED UNDER THE FULL EXTENT OF THE LAW. DRAWINGS VALID UP TO 1 YEAR FROM DATE OF ISSUE.
SEAL:



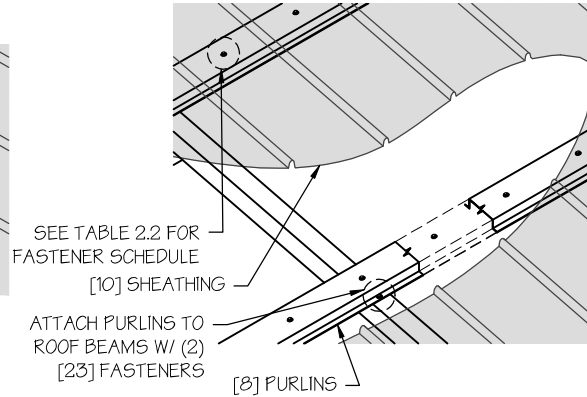
STAMP EXPIRY: 02-28-2025
DATE SIGNED: 01-25-2024



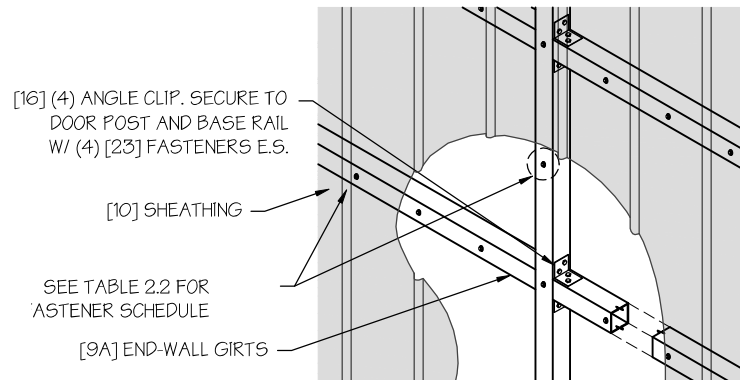
TYP. SHEATHING FASTENER SCHEDULE
SCALE: NTS



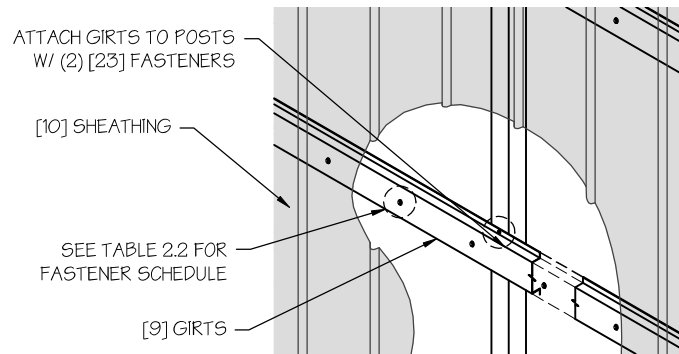
TYP. HORIZONTAL SHEATHING DETAIL 1
SCALE: NTS



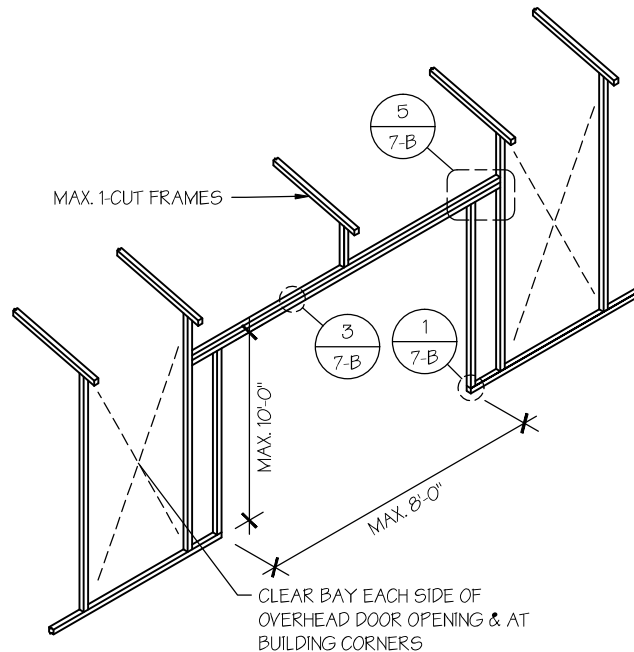
ROOF VERTICAL SHEATHING DETAIL 2
SCALE: NTS



□ WALL VERTICAL SHEATHING - TUBE DETAIL 3
SCALE: NTS

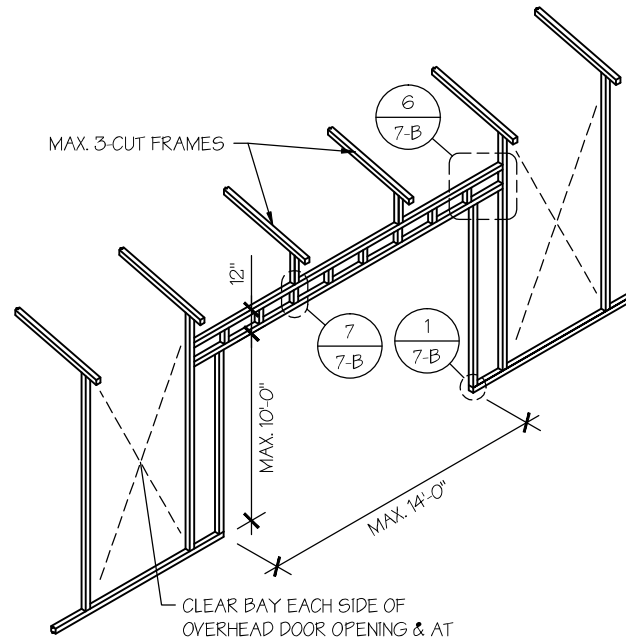


□ WALL VERTICAL SHEATHING - HAT CHANNEL DETAIL 3
SCALE: NTS



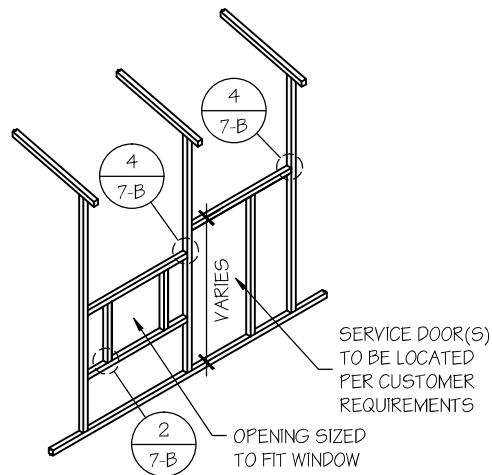
SIDE WALL OVERHEAD DOOR OPENINGS

SCALE: NTS



SIDE WALL OVERHEAD DOOR OPENINGS WITH TRUSS STYLE HEADER

SCALE: NTS



SIDE WALL SERVICE DOOR / WINDOW OPENINGS

SCALE: NTS

SIDE WALL FRAMING NOTES:

1. TRUSS-STYLE HEADERS ARE REQUIRED FOR WHERE THE GROUND SNOW LOAD IS 40 PSF OR GREATER.
2. DESIGNS AND DETAILS SHOWN HERE ARE APPLICABLE TO BOTH REGULAR AND A-FRAME STYLE BUILDINGS.
3. MAX. HEIGHT OF SIDE WALL OVERHEAD DOOR OPENINGS IS 2 FT LESS THAN THE EAVE HEIGHT.
4. OVERHEAD DOOR OPENINGS CANNOT CUT THROUGH MORE THAN 2 FULL FRAMES.
5. MIN. 1 CLEAR BAY MUST BE MAINTAINED BETWEEN ANY 2 OVERHEAD DOOR OPENINGS. A CLEAR BAY IS A SPACE BETWEEN TWO FRAMES THAT HAS NO OVERHEAD DOOR OPENINGS.
6. MIN. 1 CLEAR BAY MUST ALSO BE MAINTAINED FROM THE BUILDING CORNERS.
7. SERVICE DOORS AND WINDOWS CAN BE PLACED IN CLEAR BAYS OR ANY WHERE ELSE AS NEEDED.

MANUFACTURED BY:

REAL STEEL METAL BUILDINGS

ENGINEERED BY:



DRAWING INFORMATION

PROJECT: 24' WIDE

LOCATION: STATE OF FLORIDA

PROJECT NO.: 356-24-0180

SHEET TITLE:

SIDE WALL FRAMING
& OPENINGS

SHEET NO.: 7-A / 11

CHECKED BY: OAA DATE: 1/25/24

LEGAL INFORMATION

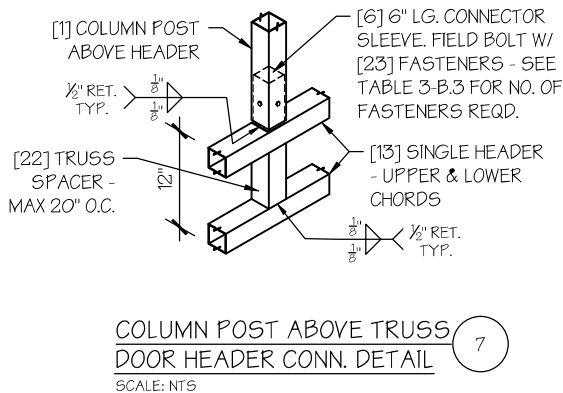
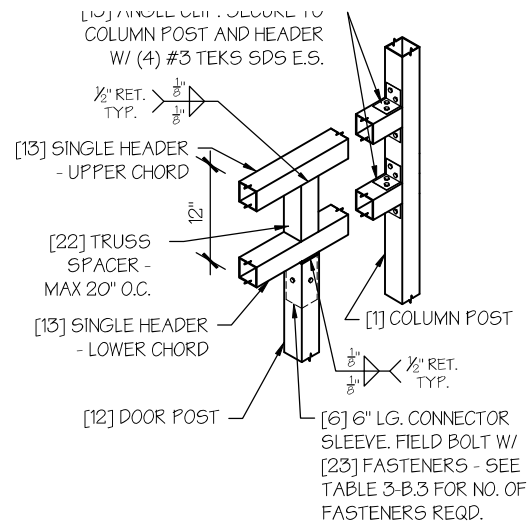
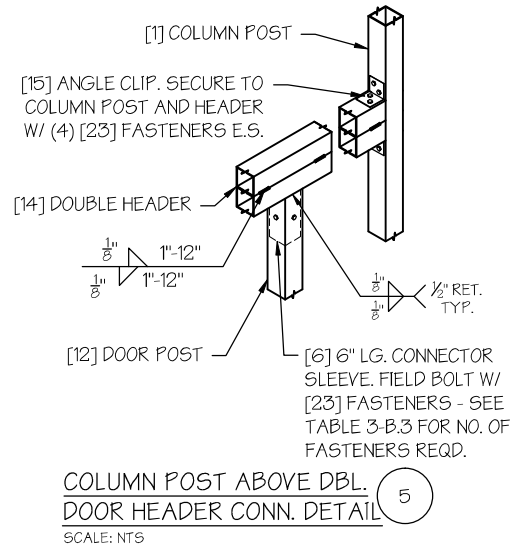
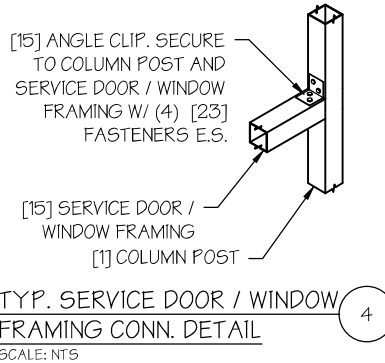
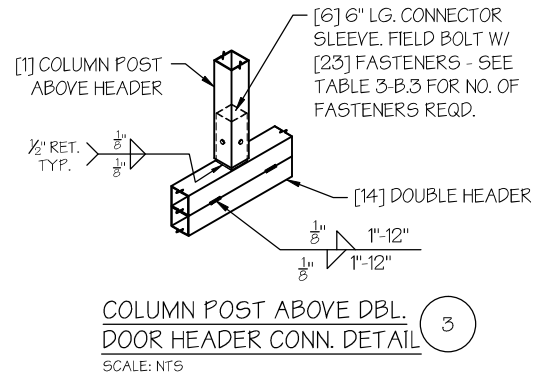
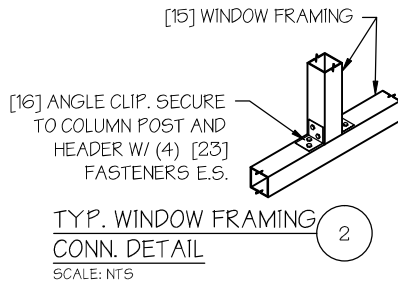
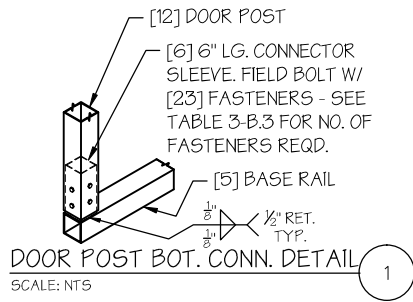
- ANY DUPLICATION OF THIS DRAWING IN WHOLE OR PART IS STRICTLY FORBIDDEN. ANYONE DOING SO WILL BE PROSECUTED UNDER THE FULL EXTENT OF THE LAW.
- DRAWINGS VALID UP TO 1 YEAR FROM DATE OF ISSUE.

SEAL:



STAMP EXPIRY: 02-28-2025

DATE SIGNED: 01-25-2024



MANUFACTURED BY:

REAL STEEL METAL BUILDINGS

ENGINEERED BY:



A&A ENGINEERING
CIVIL • STRUCTURAL

DRAWING INFORMATION

PROJECT: 24' WIDE

LOCATION: STATE OF FLORIDA

PROJECT NO.: 356-24-0180

SHEET TITLE:

SIDE WALL FRAMING
DETAILS

SHEET NO.: 7-B / 11

CHECKED BY: OAA DATE: 1/25/24

LEGAL INFORMATION

- ANY DUPLICATION OF THIS DRAWING IN WHOLE OR PART IS STRICTLY FORBIDDEN. ANYONE DOING SO WILL BE PROSECUTED UNDER THE FULL EXTENT OF THE LAW.
- DRAWINGS VALID UP TO 1 YEAR FROM DATE OF ISSUE.
SEAL:



STAMP EXPIRY: 02-28-2025

DATE SIGNED: 01-25-2024

MANUFACTURED BY:

REAL STEEL METAL BUILDINGS

ENGINEERED BY:



A&A ENGINEERING
CIVIL • STRUCTURAL

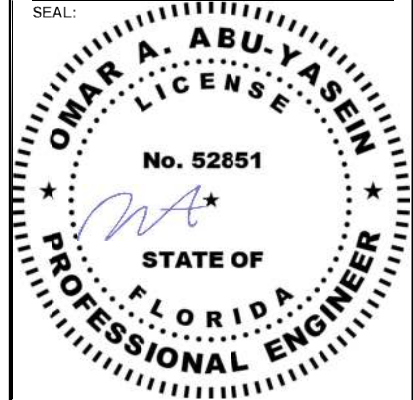
DRAWING INFORMATION

PROJECT: 24' WIDE
 LOCATION: STATE OF FLORIDA
 PROJECT NO.: 356-24-0180
 SHEET TITLE:
 END WALL FRAMING
 SHEET NO.: 8-A / 11

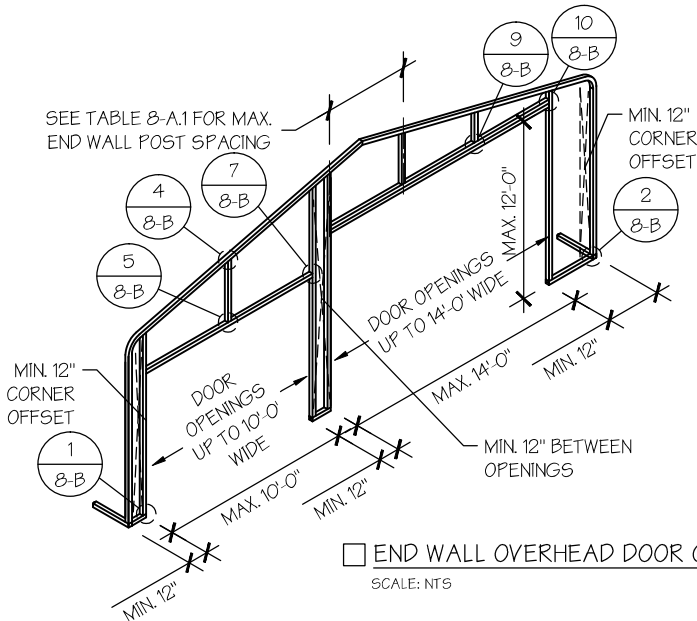
CHECKED BY: OAA DATE: 1/25/24

LEGAL INFORMATION

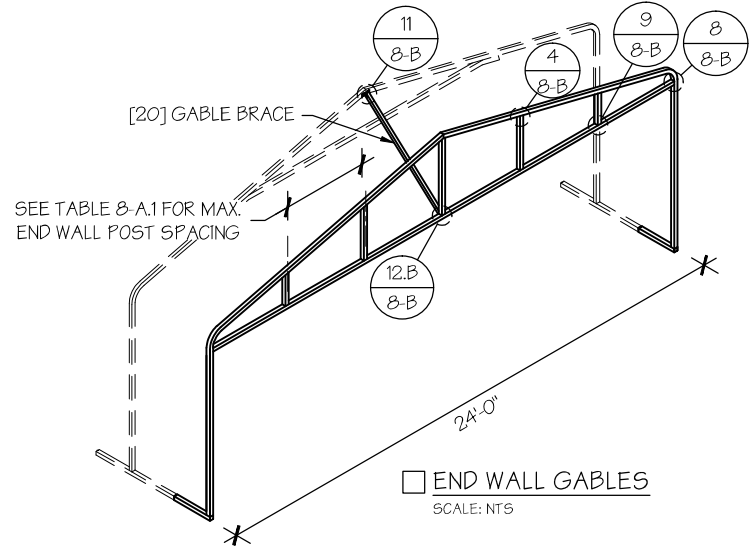
- ANY DUPLICATION OF THIS DRAWING IN WHOLE OR PART IS STRICTLY FORBIDDEN. ANYONE DOING SO WILL BE PROSECUTED UNDER THE FULL EXTENT OF THE LAW.
 - DRAWINGS VALID UP TO 1 YEAR FROM DATE OF ISSUE.
 SEAL:



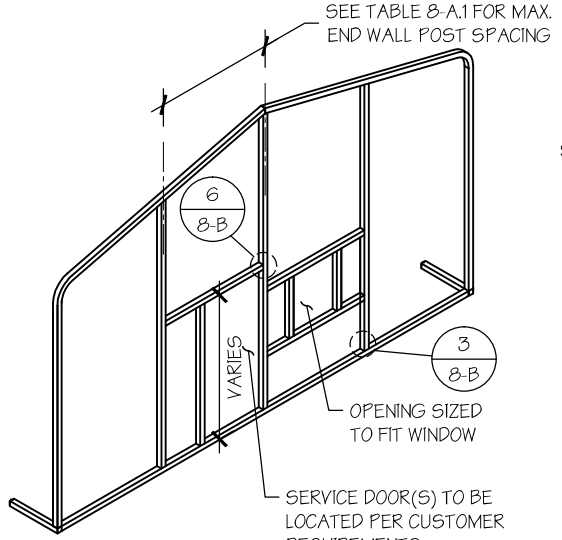
STAMP EXPIRY: 02-28-2025
 DATE SIGNED: 01-25-2024



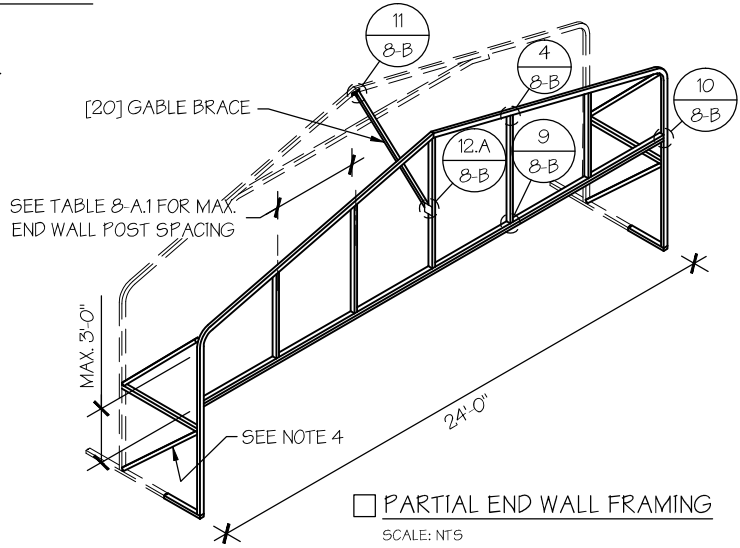
END WALL OVERHEAD DOOR OPENINGS
SCALE: NTS



END WALL GABLES
SCALE: NTS



END WALL SERVICE DOOR AND WINDOW OPENINGS
SCALE: NTS



PARTIAL END WALL FRAMING
SCALE: NTS

GABLE BRACING NOTE

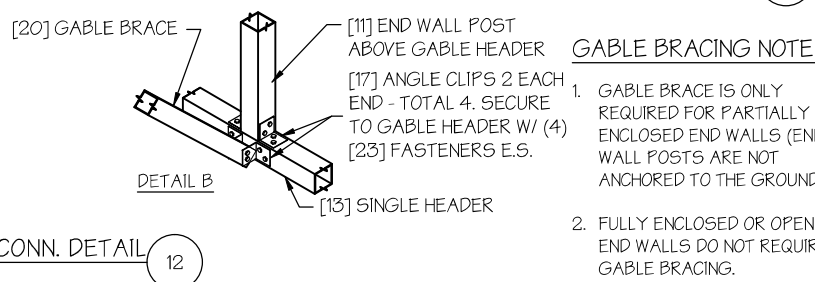
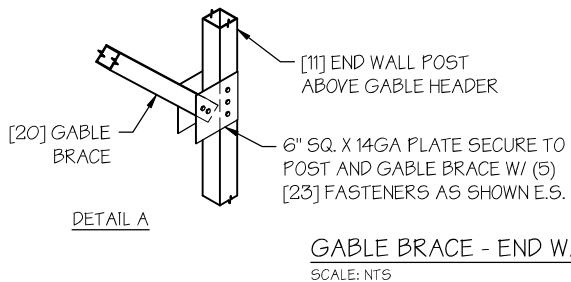
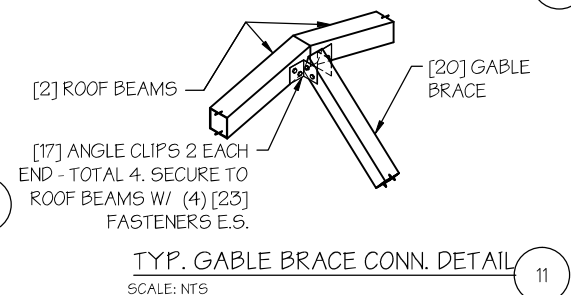
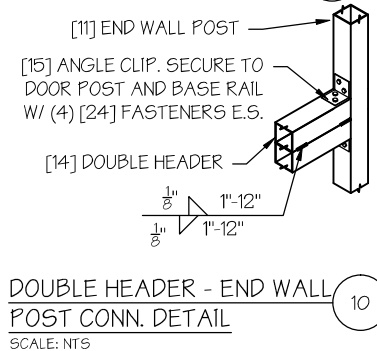
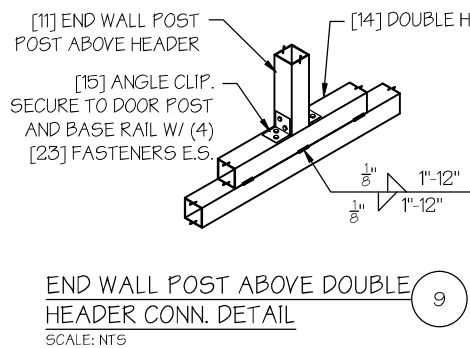
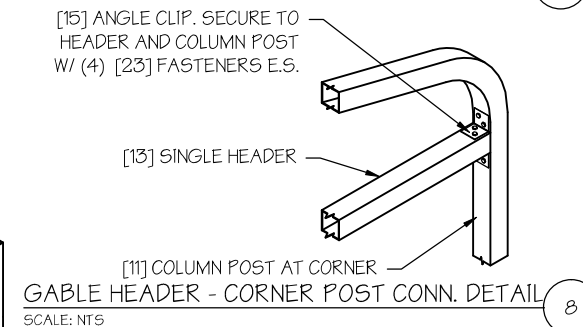
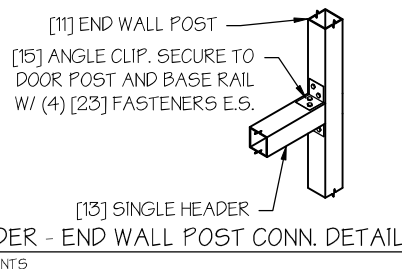
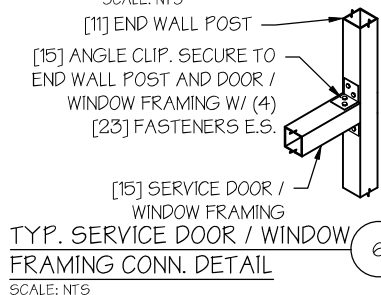
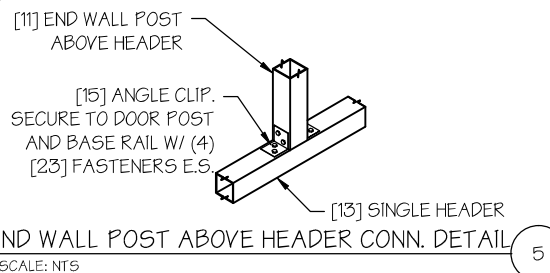
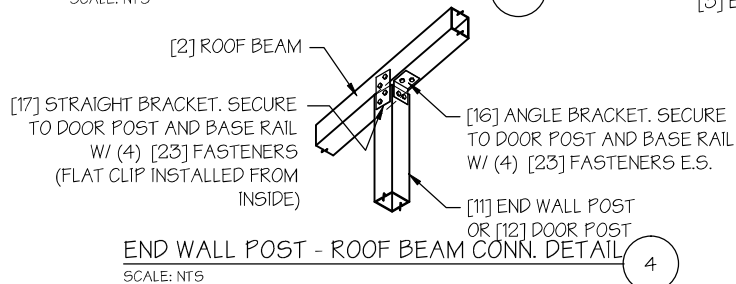
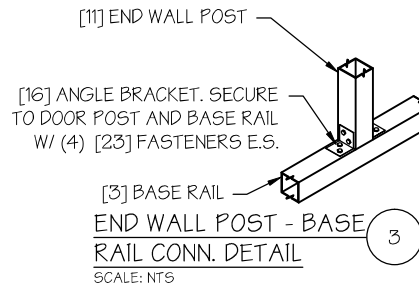
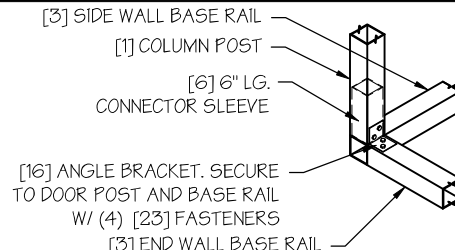
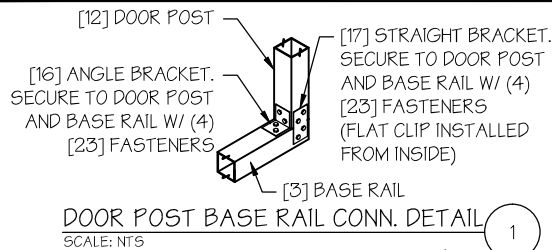
- GABLE BRACE IS ONLY REQUIRED FOR PARTIALLY ENCLOSED END WALLS (END WALL POSTS ARE NOT ANCHORED TO THE GROUND).
- FULLY ENCLOSED OR OPEN END WALLS DO NOT REQUIRE GABLE BRACING.

END WALL FRAMING NOTES:

- DESIGNS AND DETAILS SHOWN HERE ARE APPLICABLE TO BOTH REGULAR AND A-FRAME STYLE BUILDINGS.
- MIN. 12" CLEARANCE MUST BE MAINTAINED BETWEEN ANY TWO OPENINGS (OVERHEAD DOOR OR SERVICE DOOR) AND FROM CORNERS.
- SERVICE DOORS AND WINDOWS CAN BE PLACED AS NEEDED.
- DIAGONAL BRACES NEED TO BE ADDED FOR PARTIAL END WALL ENCLOSURES. SEE SHEET 9 FOR DIAGONAL BRACE CONNECTION DETAILS.

TABLE 8-A.1: END WALL POST SPACING SCHEDULE


WIND SPEED (MPH)	EAVE HEIGHT		
	UP TO 7'	8' TO 9'	10' TO 12'
<input type="checkbox"/> 105	5'	5'	5'
<input type="checkbox"/> 115	5'	5'	4.5'
<input type="checkbox"/> 130	4.5'	4.5'	4'
<input type="checkbox"/> 140	4.5'	4.5'	3'
<input type="checkbox"/> 155	4'	4'	2.5'
<input type="checkbox"/> 165 - 180	3.5'	3'	2'



MANUFACTURED BY:

REAL STEEL METAL BUILDINGS

ENGINEERED BY:



A&A ENGINEERING
CIVIL • STRUCTURAL

DRAWING INFORMATION

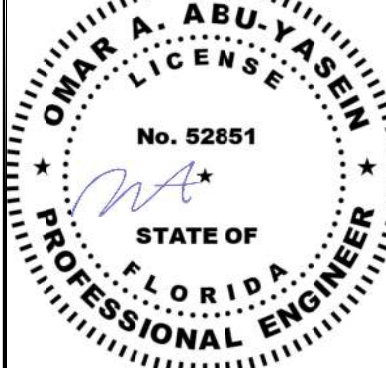
PROJECT: 24' WIDE
LOCATION: STATE OF FLORIDA
PROJECT NO.: 356-24-0180
SHEET TITLE: END WALL FRAMING DETAILS
SHEET NO.: 8-B / 11

CHECKED BY: OAA DATE: 1/25/24

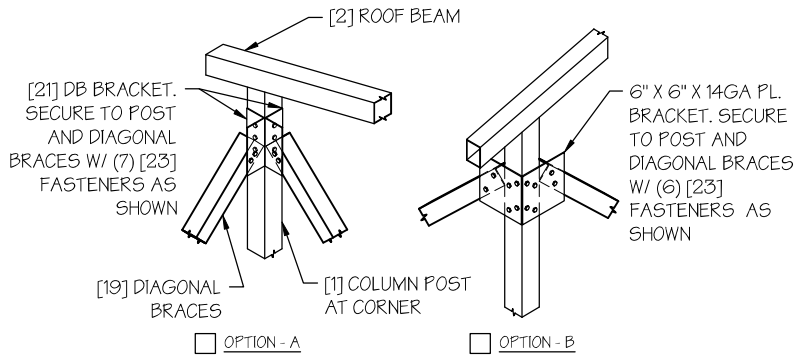
LEGAL INFORMATION

- ANY DUPLICATION OF THIS DRAWING IN WHOLE OR PART IS STRICTLY FORBIDDEN. ANYONE DOING SO WILL BE PROSECUTED UNDER THE FULL EXTENT OF THE LAW. - DRAWINGS VALID UP TO 1 YEAR FROM DATE OF ISSUE.

SEAL:

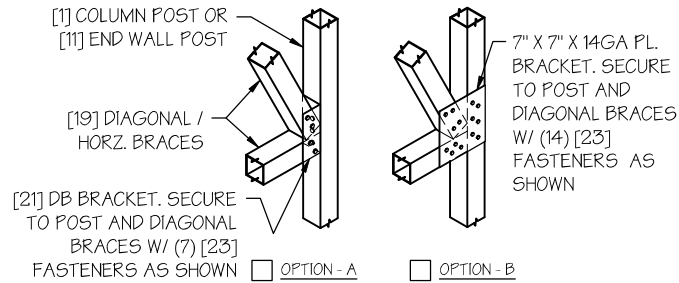


STAMP EXPIRY: 02-28-2025
DATE SIGNED: 01-25-2024



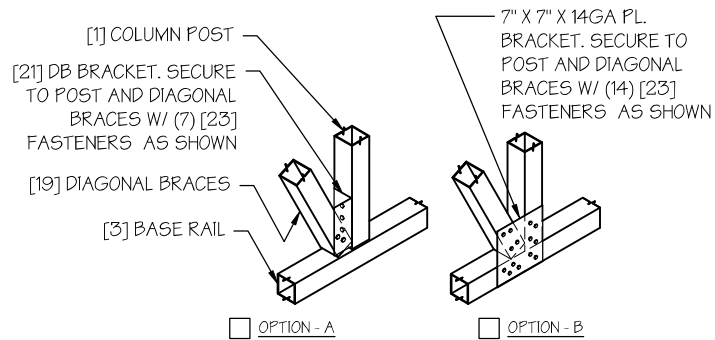
DIAGONAL BRACE TOP CORNER CONN. DETAIL* 1

SCALE: NTS



DIAGONAL BRACE - POST CONN. DETAIL* 2

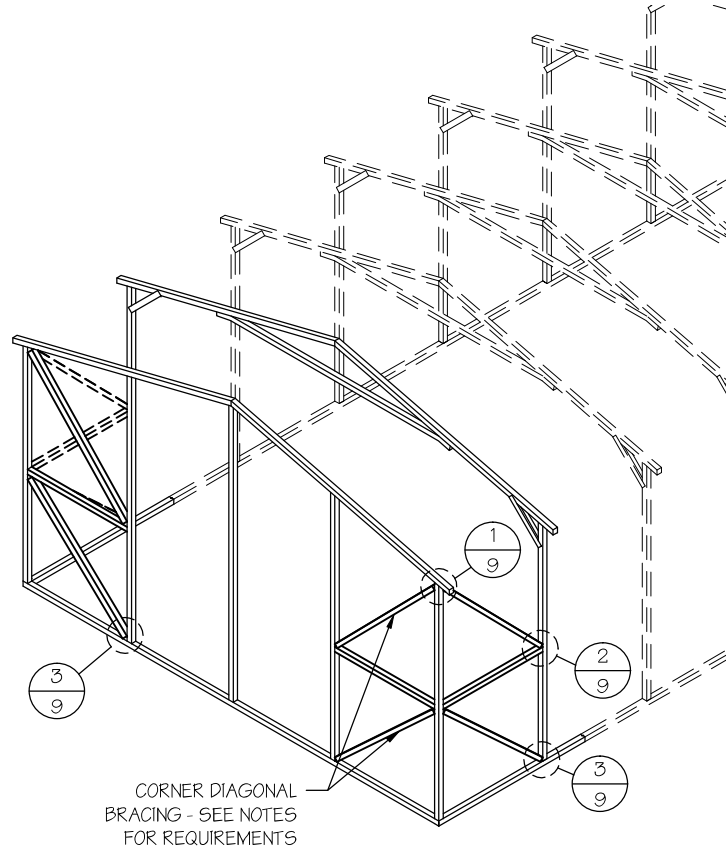
SCALE: NTS



DIAGONAL BRACE BOT. CORNER CONN. DETAIL* 3

SCALE: NTS

* INSIDE VIEW SHOWN FOR CLARITY



CORNER DIAGONAL BRACING - SEE NOTES FOR REQUIREMENTS

DIAGONAL BRACING AT CORNERS

SCALE: NTS

CORNER BRACING NOTES:

- DIAGONAL BRACING AT BUILDING CORNERS IS REQUIRED FOR ALL BUILDINGS IN LOCATIONS WHERE WIND SPEED IS 140 MPH OR GREATER.
 - FOR 3 SIDED ENCLOSED BUILDINGS 140 MPH OR GREATER WIND SPEED - THE BUILDING MUST BE DESIGNED WITH OPEN BUILDING SPACING AND DIAGONAL BRACING IS REQUIRED ON ALL ENCLOSED WALLS.
- SIDE-WALL DIAGONAL BRACING IS REQUIRED WHEN THE ADJACENT END-WALL IS PARTIALLY ENCLOSED.
- ALL BUILDINGS WITH IRREGULAR ENCLOSURE (SEE SHEET 5) WILL REQUIRE SIDE-WALL BRACING CLOSE TO THE PARTIALLY ENCLOSED END-WALL.

MANUFACTURED BY:

REAL STEEL METAL BUILDINGS

ENGINEERED BY:



A&A ENGINEERING
CIVIL • STRUCTURAL

DRAWING INFORMATION

PROJECT: 24' WIDE
 LOCATION: STATE OF FLORIDA
 PROJECT NO.: 356-24-0180
 SHEET TITLE: CORNER BRACING DETAILS
 SHEET NO.: 9 / 11

CHECKED BY: OAA DATE: 1/25/24

LEGAL INFORMATION

- ANY DUPLICATION OF THIS DRAWING IN WHOLE OR PART IS STRICTLY FORBIDDEN. ANYONE DOING SO WILL BE PROSECUTED UNDER THE FULL EXTENT OF THE LAW.
 - DRAWINGS VALID UP TO 1 YEAR FROM DATE OF ISSUE.
 SEAL:



STAMP EXPIRY: 02-28-2025
 DATE SIGNED: 01-25-2024

MANUFACTURED BY:

REAL STEEL METAL BUILDINGS

ENGINEERED BY:



A&A ENGINEERING
CIVIL • STRUCTURAL

DRAWING INFORMATION

PROJECT: 24' WIDE

LOCATION: STATE OF FLORIDA

PROJECT NO.: 356-24-0180

SHEET TITLE:

OPTIONAL LEAN-TO
ADDITION

SHEET NO.: 10 / 11

CHECKED BY: OAA DATE: 1/25/24

LEGAL INFORMATION

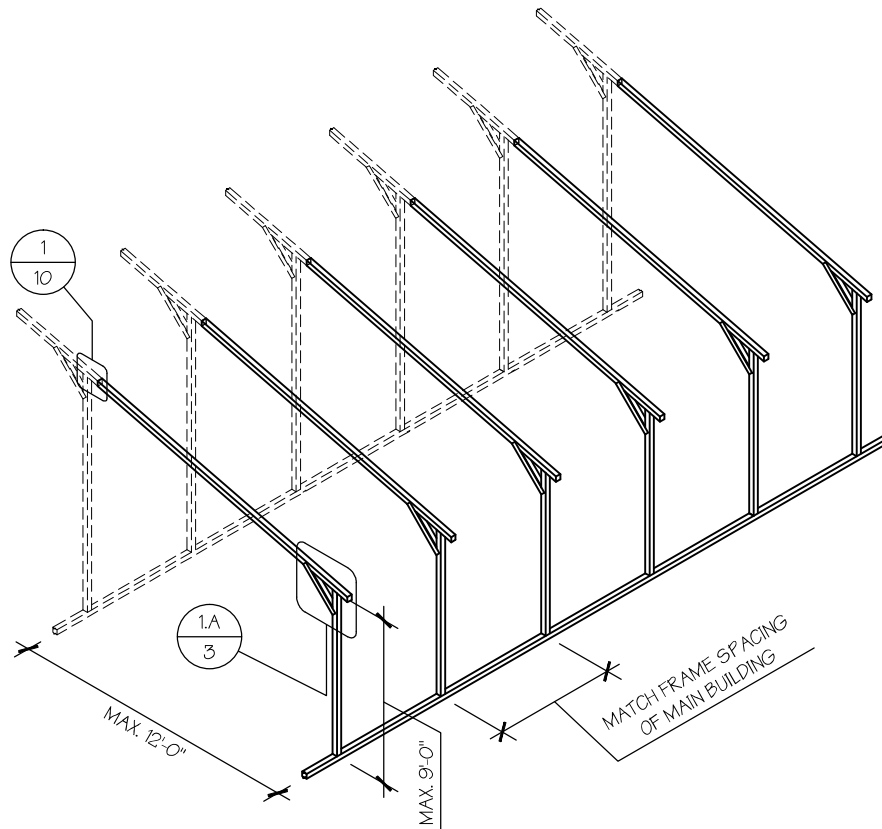
- ANY DUPLICATION OF THIS DRAWING IN WHOLE OR PART IS STRICTLY FORBIDDEN. ANYONE DOING SO WILL BE PROSECUTED UNDER THE FULL EXTENT OF THE LAW. - DRAWINGS VALID UP TO 1 YEAR FROM DATE OF ISSUE.

SEAL:



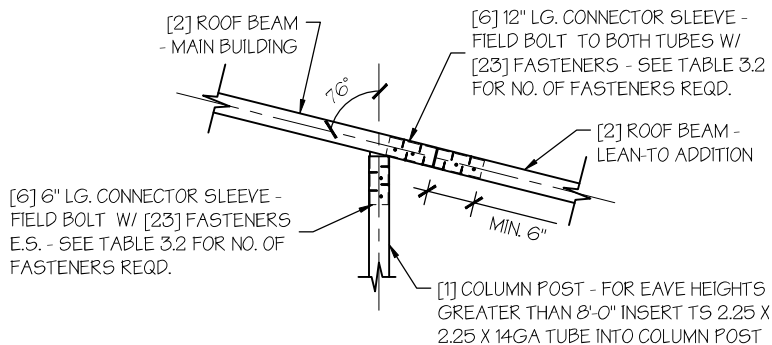
STAMP EXPIRY: 02-28-2025

DATE SIGNED: 01-25-2024



□ OPTIONAL LEAN-TO ADDITION

SCALE: NTS



LEAN-TO ATTACHMENT DETAIL

SCALE: NTS

1

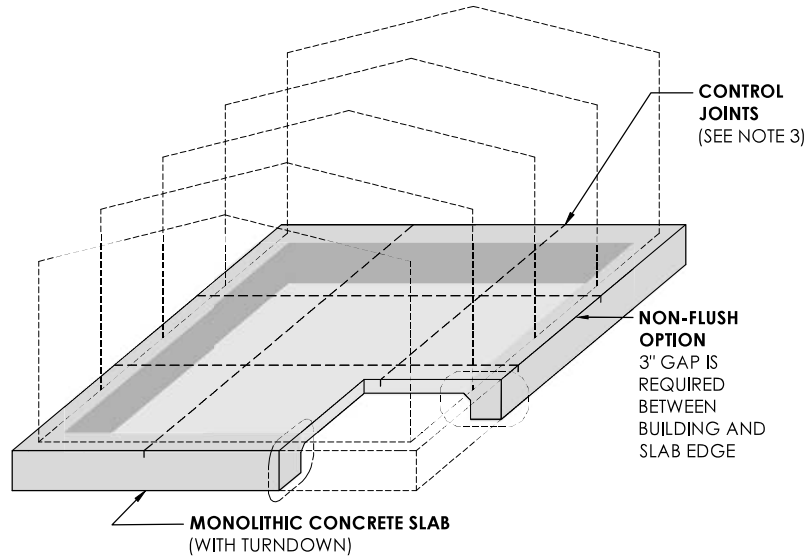
LEAN-TO ADDITION NOTES:

1. LEAN-TO ADDITIONS CAN BE ADDED ON EITHER OR BOTH SIDES OF THE BUILDING.
2. ROOF SLOPE, PURLIN, GIRT AND FRAME SPACING OF THE ADDITION HAVE TO MATCH THAT OF THE MAIN STRUCTURE.
3. IF THE LEAN-TO ADDITION IS "OPEN" (BOTH END WALLS OR SIDE WALL IS NOT ENCLOSED), THE DESIGN OF THE MAIN BUILDING HAS TO USE THE FRAME SPACING OF AN OPEN BUILDING FROM TABLE 4.

NON-FLUSH CONCRETE SLAB FOUNDATION NOTES:

1. THE LENGTH AND WIDTH OF THE SLAB SHALL **+6" GREATER** (3" GAP AROUND BUILDING PERIMETER ON ALL 4 SIDES) THAN THE FOOT-PRINT OF THE BUILDING TO ALLOW ANCHOR EDGE DISTANCE.
2. DEPTH OF SLAB TURN DOWN FOOTING SHALL BE GREATER THAN FROST DEPTH SPECIFIED PER LOCAL CODE.
3. CONTROL JOINTS SHALL BE PLACED SO AS TO LIMIT MAX. SLAB SPANS TO 20' IN EACH DIRECTION.
4. ASSUMED SOIL BEARING CAPACITY IS TO BE A MIN. OF 1500 PSF.
5. CONCRETE STRENGTH TO BE A MIN OF 2500 PSI @ 28 DAYS.
6. **IT IS THE RESPONSIBILITY OF THE CONCRETE CONTRACTOR TO SECURE AND VERIFY ALL DESIGN DETAILS PRIOR TO STARTING ANY WORK.**

NOTE: ANY FOUNDATION POURED PRIOR TO BUILDING DEPARTMENTS APPROVAL OF THESE GENERICS, **IS CONSIDERED "BY OTHERS"**, AND IT'S DESIGN IS NO LONGER CERTIFIABLE BY THIS ENGINEER OF RECORD.



ANCHORAGE NOTES:

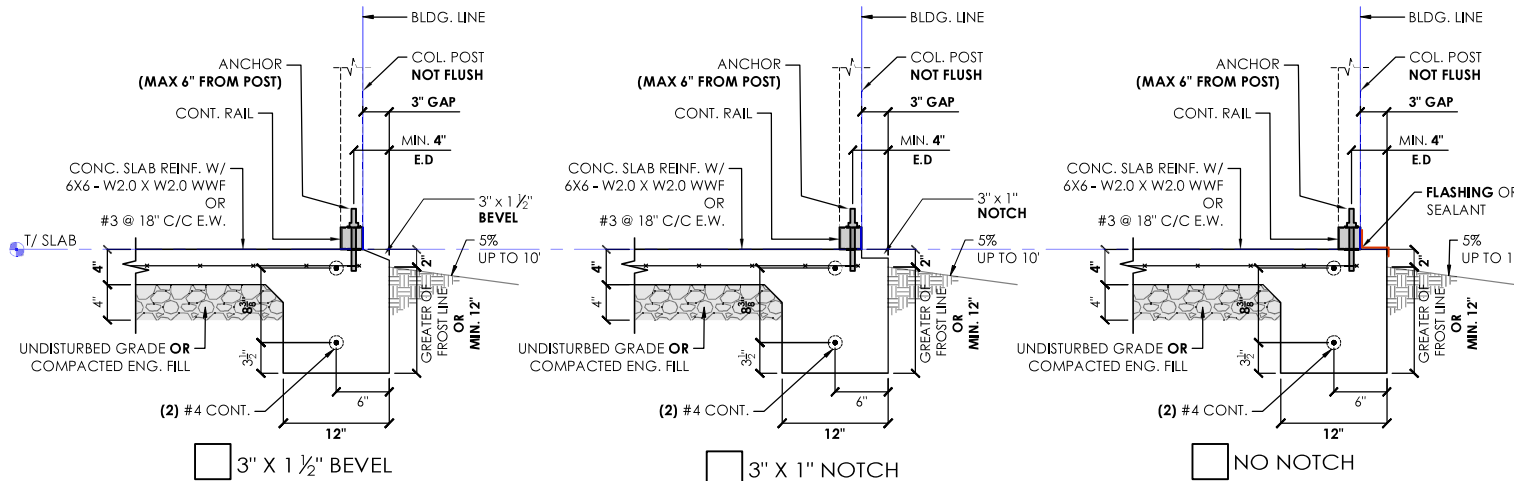
1. ANCHORS ARE TO BE CONCRETE WEDGE OR EXPANSION ANCHORS.
 2. MIN. EMBEDMENT DEPTH TO BE 3".
 3. MINIMUM SPACING BETWEEN TWO ADJACENT ANCHORS TO BE 4".
 4. ANCHORS TO BE SPACED NO MORE THAN 6" FROM POSTS.
 5. REF. TABLE 11 FOR ANCHORAGE SCHEDULE.
- IN LOCATIONS REQUIRING TWO ANCHORS DUE TO WIND, ONE ANCHOR IS TO BE ON EACH SIDE OF THE COLUMN POST.
 - AT MINIMUM, 1 CONCRETE ANCHOR SHALL BE LOCATED NEXT TO EVERY POST AND 1 ANCHOR ON EITHER SIDE OF OPENINGS.
 - AT MINIMUM, 2 ANCHORS SHALL BE INSTALLED AT CORNERS OF ENCLOSED BUILDINGS WITH END WALLS - ONE ON EACH BASE RAIL.

NON-FLUSH CONCRETE SLAB

SCALE : NTS

TABLE 11 : ANCHORAGE SCHEDULE

ENCLOSURE	WIND SPEED (MPH)	ANCHOR SIZE/NUMBER
ENCLOSED	105 TO 135	(1) 1/2"Ø X 7"
	136 TO 180	(2) 1/2"Ø X 7"
OPEN	105 TO 135	(1) 1/2"Ø X 7"
	136 TO 180	(2) 1/2"Ø X 7"



1 NON-FLUSH / OFFSET PERIMETER DETAIL
SCALE : NTS

MANUFACTURED BY:

REAL STEEL METAL BUILDINGS

ENGINEERED BY:



A&A ENGINEERING
CIVIL • STRUCTURAL

DRAWING INFORMATION

PROJECT: 24' WIDE

LOCATION: STATE OF FLORIDA

PROJECT NO.: 356-24-0180

SHEET TITLE:

FOUNDATION OPTION 1:
CONCRETE SLAB

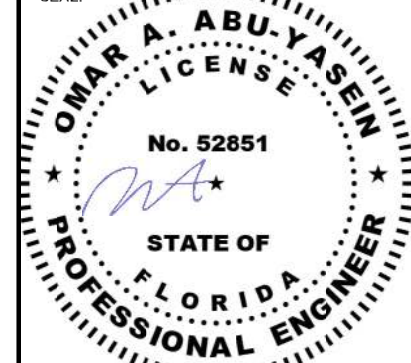
SHEET NO.: 11-A / 11

CHECKED BY: OAA DATE: 1/25/24

LEGAL INFORMATION

- ANY DUPLICATION OF THIS DRAWING IN WHOLE OR PART IS STRICTLY FORBIDDEN. ANYONE DOING SO WILL BE PROSECUTED UNDER THE FULL EXTENT OF THE LAW.
- DRAWINGS VALID UP TO 1 YEAR FROM DATE OF ISSUE.

SEAL:



STAMP EXPIRY: 02-28-2025

DATE SIGNED: 01-25-2024

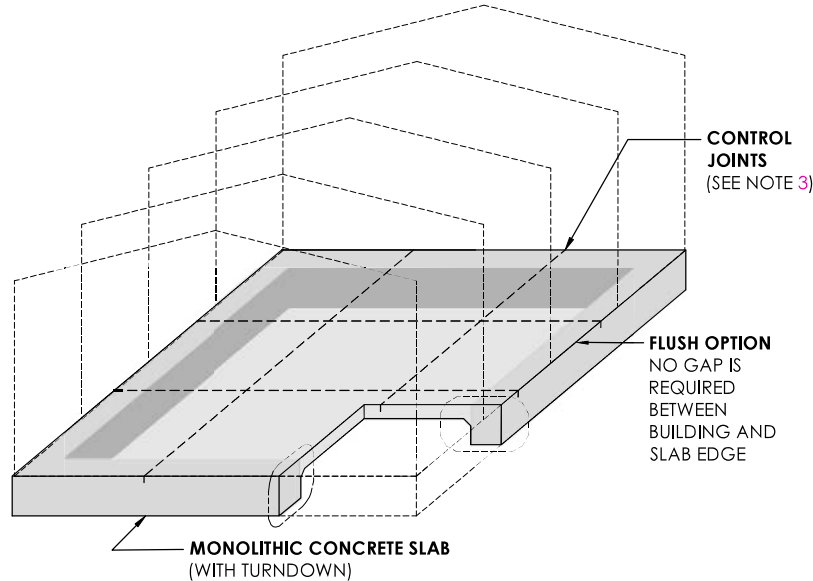
FLUSH CONCRETE SLAB FOUNDATION NOTES:

1. THE SIZE OF THE SLAB SHALL EQUAL THE FOOT-PRINT OF THE BUILDING. **ANCHORS CANNOT BE INSTALLED THRU THE BASE RAIL. ANCHORS SHALL BE INSTALLED THRU WELDED ANGLES OR INTERNAL TUBE PIECES** (REF. DETAIL 1) TO ALLOW ANCHOR EDGE DISTANCE.
2. DEPTH OF SLAB TURN DOWN FOOTING SHALL BE GREATER THAN FROST DEPTH SPECIFIED PER LOCAL CODE.
3. CONTROL JOINTS SHALL BE PLACED SO AS TO LIMIT MAX. SLAB SPANS TO 20' IN EACH DIRECTION.
4. ASSUMED SOIL BEARING CAPACITY IS TO BE A MIN. OF 1500 PSF.
5. CONCRETE STRENGTH TO BE A MIN OF 2500 PSI @ 28 DAYS.
6. **IT IS THE RESPONSIBILITY OF THE CONCRETE CONTRACTOR TO SECURE AND VERIFY ALL DESIGN DETAILS PRIOR TO STARTING ANY WORK.**

NOTE: ANY FOUNDATION POURED PRIOR TO BUILDING DEPARTMENTS APPROVAL OF THESE GENERICS, **IS CONSIDERED "BY OTHERS"**, AND IT'S DESIGN IS NO LONGER CERTIFIABLE BY THIS ENGINEER OF RECORD.

ANCHORAGE NOTES:

1. ANCHORS ARE TO BE CONCRETE WEDGE OR EXPANSION ANCHORS.
2. MIN. EMBEDMENT DEPTH TO BE 3".
3. MINIMUM SPACING BETWEEN TWO ADJACENT ANCHORS TO BE 4".
4. ANCHORS TO BE SPACED NO MORE THAN 6" FROM POSTS.
5. REF. TABLE 11 FOR ANCHORAGE SCHEDULE.
 - IN LOCATIONS REQUIRING TWO ANCHORS DUE TO WIND, ONE ANCHOR IS TO BE ON EACH SIDE OF THE COLUMN POST.
 - AT MINIMUM, **1** CONCRETE ANCHOR SHALL BE LOCATED NEXT TO EVERY POST AND **1** ANCHOR ON EITHER SIDE OF OPENINGS.
 - AT MINIMUM, **2** ANCHORS SHALL BE INSTALLED AT CORNERS OF ENCLOSED BUILDINGS WITH END WALLS - ONE ON EACH BASE RAIL.

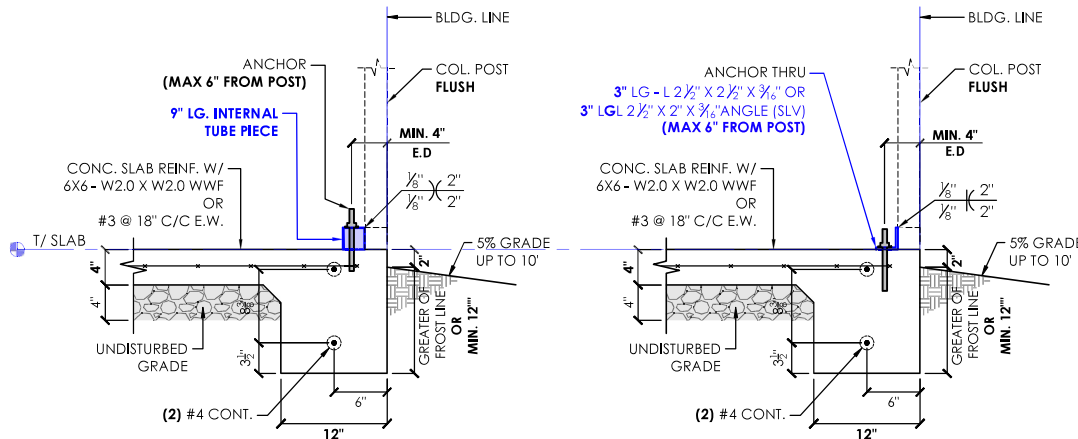


FLUSH CONCRETE SLAB

SCALE : NTS

TABLE 11 : ANCHORAGE SCHEDULE

ENCLOSURE	WIND SPEED (MPH)	ANCHOR SIZE/NUMBER
ENCLOSED	105 TO 135	(1) 1/2"Ø X 7"
	136 TO 180	(2) 1/2"Ø X 7"
OPEN	105 TO 135	(1) 1/2"Ø X 7"
	136 TO 180	(2) 1/2"Ø X 7"



1 FLUSH PERIMETER DETAIL
SCALE : NTS

MANUFACTURED BY:

**REAL STEEL
METAL
BUILDINGS**

ENGINEERED BY:



A&A ENGINEERING
CIVIL • STRUCTURAL

DRAWING INFORMATION

PROJECT: 24' WIDE

LOCATION: STATE OF FLORIDA

PROJECT NO.: 356-24-0180

SHEET TITLE:

FOUNDATION OPTION 1:
FLUSH CONCRETE SLAB

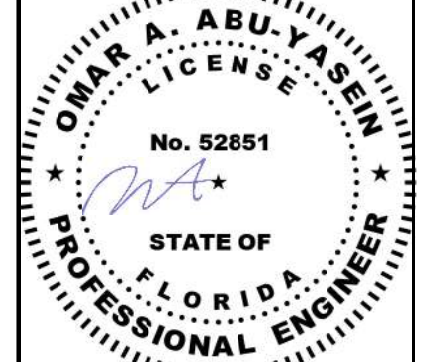
SHEET NO.: 11-A / 11

CHECKED BY: OAA DATE: 1/25/24

LEGAL INFORMATION

- ANY DUPLICATION OF THIS DRAWING IN WHOLE OR PART IS STRICTLY FORBIDDEN. ANYONE DOING SO WILL BE PROSECUTED UNDER THE FULL EXTENT OF THE LAW.
- DRAWINGS VALID UP TO 1 YEAR FROM DATE OF ISSUE.

SEAL:



STAMP EXPIRY: 02-28-2025

DATE SIGNED: 01-25-2024

TABLE 11-B.1: ANCHOR SCHEDULE

ENCLOSURE	WIND SPEED (MPH)	ANCHOR SIZE/NUMBER
ENCLOSED	□105 TO 135	(1) 1/2"Ø X 7"
	□136 TO 180	(2) 1/2"Ø X 7"
OPEN	□105 TO 135	(1) 1/2"Ø X 7"
	□136 TO 180	(2) 1/2"Ø X 7"

NOTES:

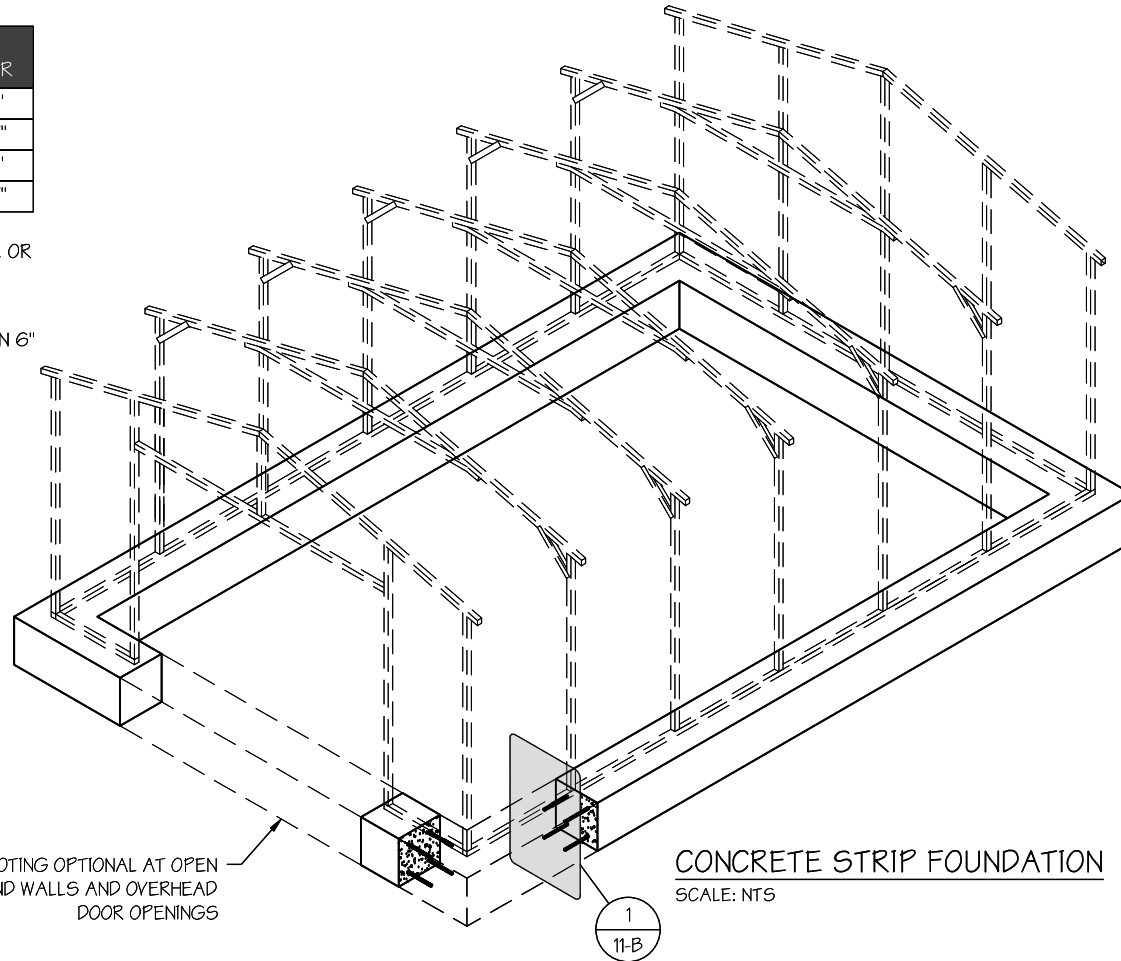
1. ANCHORS ARE TO BE CONCRETE WEDGE OR EXPANSION ANCHORS.
2. MIN. EMBEDMENT DEPTH TO BE 2 7/8".
3. ANCHORS TO BE SPACED NO MORE THAN 6" FROM POSTS.

TABLE 11-B.2: CONC. STRIP SCHEDULE

WIND SPEED (MPH)	MIN. SIZE REQD.
□105 TO 130	15" X 12"
□140 TO 155	24" X 12"
□165 TO 180	30" X 12"
	24 X 15"
	20" X 18"

NOTES:

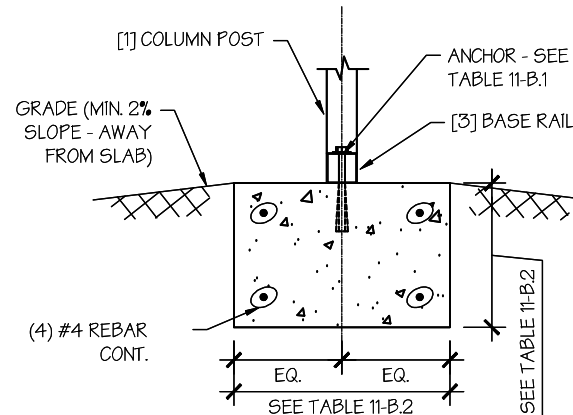
1. WIDTH AND DEPTH DIMENSIONS CAN BE INTERCHANGED.



CONCRETE STRIP FOUNDATION
SCALE: NTS

CONCRETE STRIP FOUNDATION NOTES:

1. DESIGNS SHOWN ON THIS SHEET ARE FOR CONCRETE STRIP FOUNDATION. ANY OF THE FOUNDATIONS SHOWN ON SHEETS 11-A THRU C CAN BE USED.
2. CONCRETE ANCHORS SHALL BE LOCATED NEXT TO EVERY POST AND ON EITHER SIDE OF OPENINGS. TWO ANCHORS SHALL BE INSTALLED AT CORNERS OF ENCLOSED BUILDINGS WITH END WALLS - ONE ON EACH BASE RAIL. IN LOCATIONS REQUIRING TWO ANCHORS DUE TO WIND, ONE ANCHOR IS TO BE ON EACH SIDE OF THE COLUMN POST.
3. MIN. NUMBER OF CONCRETE ANCHORS PER POST SHALL BE AS SHOWN IN TABLE 11-B.1.
4. ANCHORS IN CLOSE PROXIMITY TO EACH OTHER MUST HAVE A MIN. 4" SPACING.
5. DEPTH OF CONCRETE STRIP FOOTING SHALL BE GREATER THAN FROST DEPTH SPECIFIED PER LOCAL CODE.
6. ASSUMED SOIL BEARING CAPACITY IS TO BE A MIN. OF 1500 PSF.
7. CONCRETE STRENGTH TO BE A MIN OF 2500 PSI @ 28 DAYS.
8. BUILDING IS TO BE MOUNTED ON THE CENTER OF THE STRIP FOUNDATION.



CONCRETE STRIP FOUNDATION DETAIL
SCALE: NTS

MANUFACTURED BY:

REAL STEEL METAL BUILDINGS

ENGINEERED BY:



DRAWING INFORMATION

PROJECT: 24' WIDE
LOCATION: STATE OF FLORIDA
PROJECT NO.: 356-24-0180
SHEET TITLE:
FOUNDATION OPTION 2:
CONCRETE STRIP
SHEET NO.: 11-B / 11

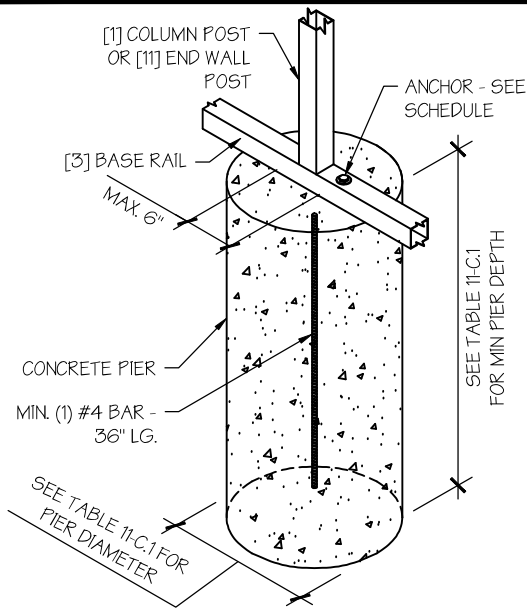
CHECKED BY: OAA DATE: 1/25/24

LEGAL INFORMATION

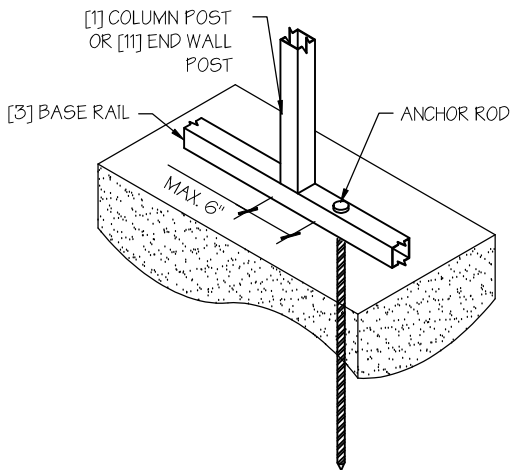
- ANY DUPLICATION OF THIS DRAWING IN WHOLE OR PART IS STRICTLY FORBIDDEN. ANYONE DOING SO WILL BE PROSECUTED UNDER THE FULL EXTENT OF THE LAW.
- DRAWINGS VALID UP TO 1 YEAR FROM DATE OF ISSUE.
SEAL:



STAMP EXPIRY: 02-28-2025
DATE SIGNED: 01-25-2024



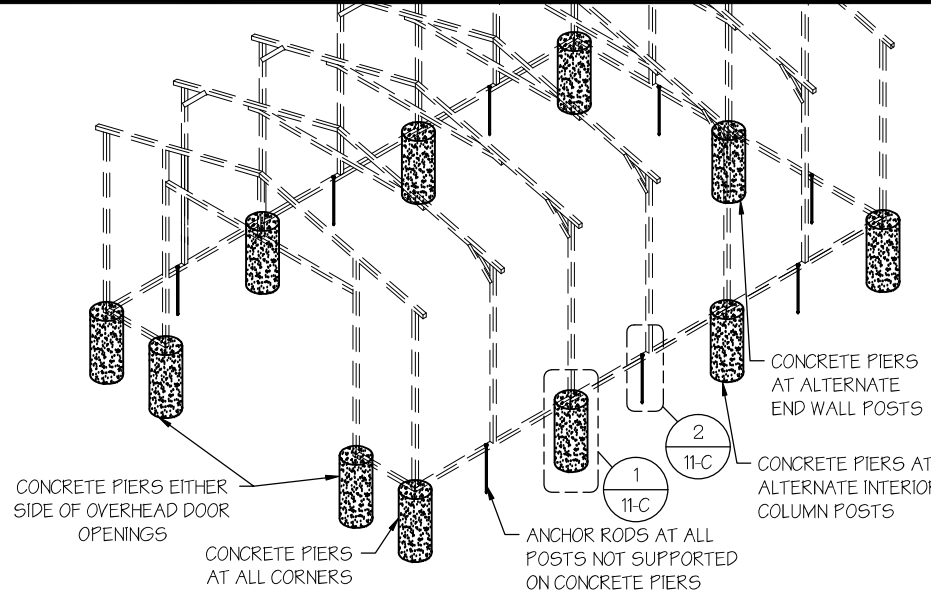
CONCRETE PIER DETAIL
SCALE: NTS



ANCHOR ROD INTO SOIL DETAIL
SCALE: NTS

TABLE 11-C.1: CONC. PIER SCHEDULE

WIND SPEED (MPH)	MIN. SIZE REQD.
□ 105 TO 130	24"Ø X 36"
□ 140 TO 155	24"Ø X 42"
□ 165 TO 180	24"Ø X 48"



CONCRETE PIER FOUNDATION
SCALE: NTS

CONCRETE PIER FOUNDATION NOTES:

- DESIGNS SHOWN ON THIS SHEET ARE FOR CONCRETE PIER FOUNDATION. ANY OF THE FOUNDATIONS SHOWN ON SHEETS 11-A THRU C CAN BE USED.
- CONCRETE PIERS SHALL BE LOCATED AT ALL 4 CORNERS, ON EACH SIDE OF OVERHEAD DOOR OPENINGS AND ON ALTERNATE INTERIOR COLUMN POSTS AND END WALLS POSTS.
- TWO ANCHORS SHALL BE INSTALLED AT CORNERS OF ENCLOSED BUILDINGS WITH END WALLS - ONE ON EACH BASE RAIL. IN LOCATIONS REQUIRING TWO ANCHORS DUE TO WIND, ONE ANCHOR IS TO BE ON EACH SIDE OF THE COLUMN POST WITH A PIER.
- ANCHORS IN CLOSE PROXIMITY TO EACH OTHER MUST HAVE A MIN. 4" SPACING.
- MIN. NUMBER OF CONCRETE ANCHORS PER POST WITH A PIER SHALL BE AS SHOWN IN TABLE 11-C.2.
- TWO ANCHORS AND A PIER ARE REQUIRED AT DIAGONAL BRACING LOCATIONS WHEN REQUIRED.
- ALL POSTS NOT SUPPORTED ON CONCRETE PIERS SHALL BE ANCHORED TO THE GROUND WITH A 1/2" X 30" LG. THREADED ROD. RODS WILL HAVE A PRE-FORMED HEAD AT THE TOP AND ONE COAT OF RUST PROOF MATERIAL.
- PIERS SHALL BE FORMED BY DIGGING A HOLE OF THE SAME SIZE AS THE PIER ON LEVEL GRADE AND FILLING IT WITH CONCRETE. THRD. ROD ANCHORS SHOULD BE DROPPED INTO THE PIERS PRIOR TO POURING THE CONCRETE.
- ASSUMED SOIL BEARING CAPACITY IS TO BE A MIN. OF 1500 PSF.
- CONCRETE STRENGTH TO BE A MIN OF 2500 PSI @ 28 DAYS.

TABLE 11-C.2: ANCHOR SCHEDULE

ENCLOSURE	WIND SPEED (MPH)	ANCHOR SIZE/NUMBER
ENCLOSED	□ 105 TO 135	(1) 1/2"Ø X 7"
	□ 136 TO 180	(2) 1/2"Ø X 7"
OPEN	□ 105 TO 135	(1) 1/2"Ø X 7"
	□ 136 TO 180	(2) 1/2"Ø X 7"

NOTES:

- ANCHORS ARE TO BE CONCRETE WEDGE OR EXPANSION ANCHORS.
- MIN. EMBEDMENT DEPTH TO BE 2 7/8".
- ANCHORS TO BE SPACED NO MORE THAN 6" FROM POSTS.

MANUFACTURED BY:

**REAL STEEL
METAL
BUILDINGS**

ENGINEERED BY:



A&A ENGINEERING
CIVIL • STRUCTURAL

DRAWING INFORMATION

PROJECT: 24' WIDE

LOCATION: STATE OF FLORIDA

PROJECT NO.: 356-24-0180

SHEET TITLE:

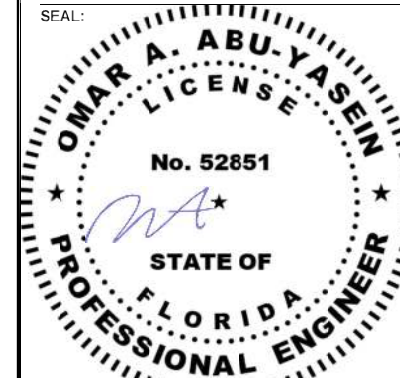
**FOUNDATION OPTION 3:
CONCRETE PIERS**

SHEET NO.: 11-C / 11

CHECKED BY: OAA DATE: 1/25/24

LEGAL INFORMATION

- ANY DUPLICATION OF THIS DRAWING IN WHOLE OR PART IS STRICTLY FORBIDDEN. ANYONE DOING SO WILL BE PROSECUTED UNDER THE FULL EXTENT OF THE LAW. DRAWINGS VALID UP TO 1 YEAR FROM DATE OF ISSUE.
SEAL:



STAMP EXPIRY: 02-28-2025

DATE SIGNED: 01-25-2024

MANUFACTURED BY:

REAL STEEL METAL BUILDINGS

ENGINEERED BY:



A&A ENGINEERING
CIVIL • STRUCTURAL

DRAWING INFORMATION

PROJECT: 24' WIDE
LOCATION: STATE OF FLORIDA
PROJECT NO.: 356-24-0180
SHEET TITLE:
FOUNDATION OPTION 4:
SOIL ANCHORS
SHEET NO.: 11-D / 11

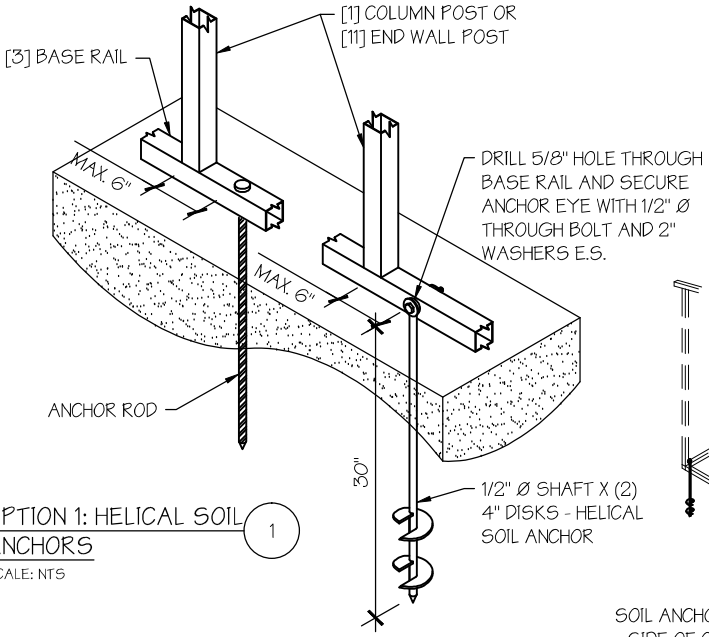
CHECKED BY: OAA DATE: 1/25/24

LEGAL INFORMATION

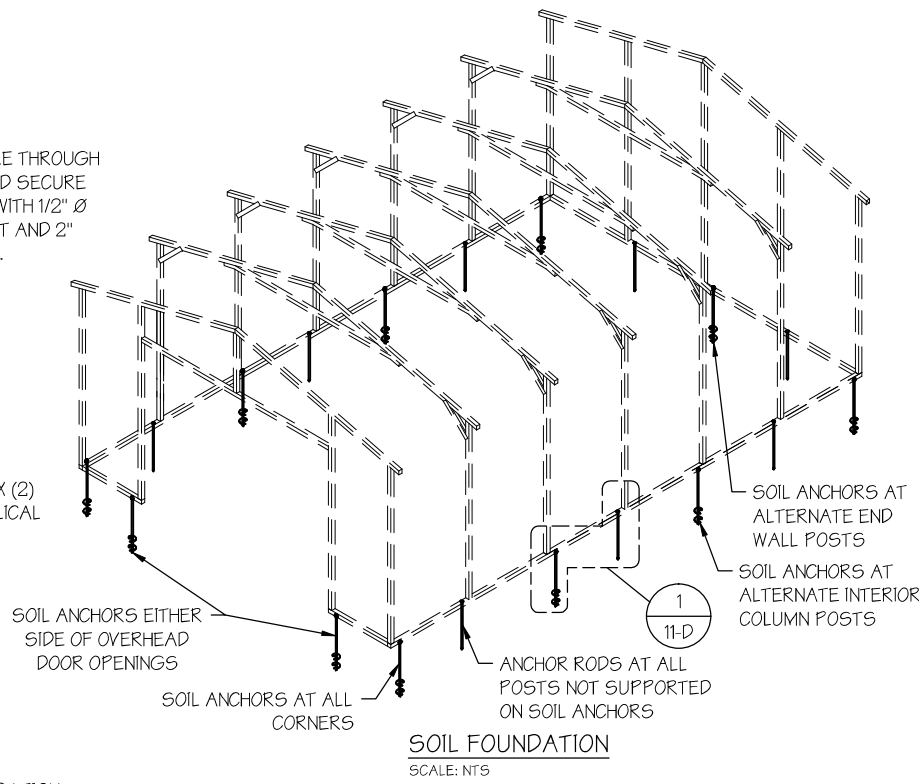
- ANY DUPLICATION OF THIS DRAWING IN WHOLE OR PART IS STRICTLY FORBIDDEN. ANYONE DOING SO WILL BE PROSECUTED UNDER THE FULL EXTENT OF THE LAW. - DRAWINGS VALID UP TO 1 YEAR FROM DATE OF ISSUE.
SEAL:



STAMP EXPIRY: 02-28-2025
DATE SIGNED: 01-25-2024



OPTION 1: HELICAL SOIL ANCHORS
SCALE: NTS



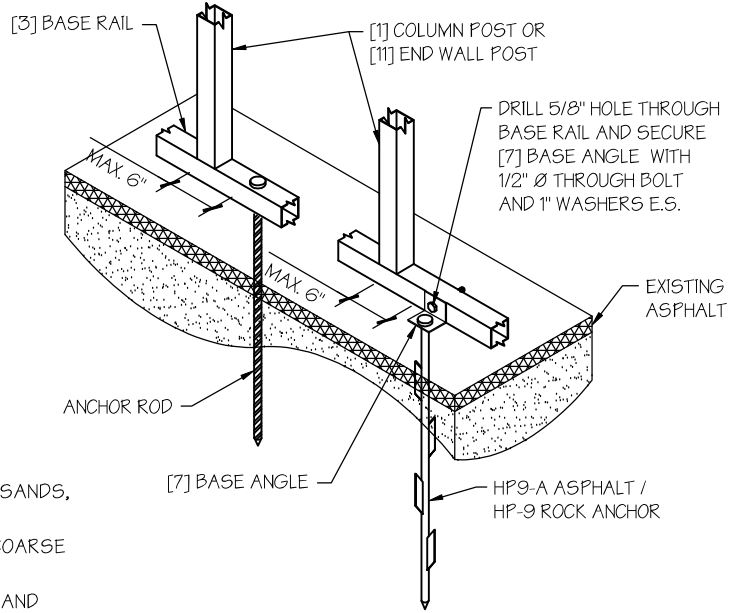
SOIL FOUNDATION NOTES:

- DESIGNS SHOWN ON THIS SHEET ARE FOR SOIL ANCHOR FOUNDATION.
- SOIL ANCHORS (HELICAL OR ROCK/ASPHALT) SHALL BE LOCATED AT ALL 4 CORNERS, ON EACH SIDE OF OVERHEAD DOOR OPENINGS, ON POSTS WITH DIAGONAL BRACING IF REQUIRED, AND ON ALTERNATE INTERIOR COLUMN POSTS AND END WALLS POSTS.
- HELICAL ANCHORS ARE TO BE USED ONLY IF THE DRIVING TORQUE INTO THE GROUND IS 150 FT-LBS OR GREATER. MANUFACTURER IS NOT RESPONSIBLE FOR SOIL QUALITY AT SITE.
- HELICAL ANCHORS CAN ONLY BE USED FOR CLASS 2, 3 & 4 SOILS (SEE SOIL CLASSIFICATIONS THIS PAGE).
- ALL POSTS WITH NO ANCHORS ADJACENT SHALL BE ANCHORED TO THE GROUND WITH A 1/2" X 30" LG. ROD. RODS WILL HAVE A PRE-FORMED HEAD AT THE TOP AND ONE COAT OF RUST PROOF MATERIAL.
- ASSUMED SOIL BEARING CAPACITY IS TO BE A MIN. OF 1500 PSF.

SOIL CLASSIFICATIONS:

SOIL CLASS	DESCRIPTION
2	SANDY GRAVEL AND GRAVEL, VERY THIN DENSE AND/OR CEMENTED SANDS, COARSE GRAVEL/COBBLES, PRELOADED SILTS, CLAYS AND CORAL.
3	SAND, SILTY SAND, CLAYEY SAND, SILTY GRAVEL, MEDIUM DENSE COARSE SANDS, SANDY GRAVEL, VERY STIFF SILT AND SANDY CLAYS.
4	LOOSE TO MEDIUM DENSE SANDS, FIRM TO STIFF CLAYS AND SILTS AND ALLUVIAL FILLS.

*FROM HUD "MODEL MANUFACTURED HOME INSTALLATION STANDARDS"



OPTION 2: ROCK / ASPHALT ANCHORS
SCALE: NTS