



Lumber design values are in accordance with ANSI/TPI 1 section 6.3
 These truss designs rely on lumber values established by others.

RE: LaFlamme - LaFlamme

MiTek USA, Inc.
 16023 Swingley Ridge Rd
 Chesterfield, MO 63017

Site Information:

Customer Info: SCCi Project Name: . Model: .
 Lot/Block: . Subdivision: .
 Address: ., .
 City: Lake City State: FL

Name Address and License # of Structural Engineer of Record, if there is one, for the building.

Name: License #:
 Address:
 City: State:

General Truss Engineering Criteria & Design Loads (Individual Truss Design Drawings Show Special Loading Conditions):

Design Code: FBC2020/TPI2014 Design Program: MiTek 20/20 8.5
 Wind Code: ASCE 7-16 Wind Speed: 130 mph
 Roof Load: 40.0 psf Floor Load: N/A psf

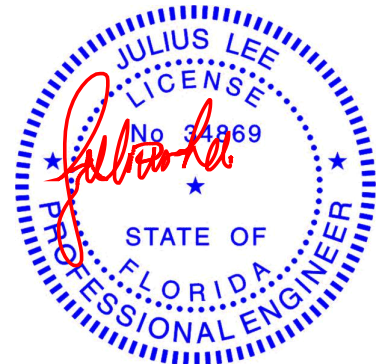
This package includes 30 individual, Truss Design Drawings and 0 Additional Drawings.
 With my seal affixed to this sheet, I hereby certify that I am the Truss Design Engineer and this index sheet conforms to 61G15-31.003, section 5 of the Florida Board of Professional Engineers Rules.

No.	Seal#	Truss Name	Date	No.	Seal#	Truss Name	Date
1	T28825729	A01GIR	9/20/22	23	T28825751	D01GE	9/20/22
2	T28825730	A02	9/20/22	24	T28825752	D02	9/20/22
3	T28825731	A03	9/20/22	25	T28825753	GIR1	9/20/22
4	T28825732	A04	9/20/22	26	T28825754	J1	9/20/22
5	T28825733	A05	9/20/22	27	T28825755	J1A	9/20/22
6	T28825734	A06	9/20/22	28	T28825756	J2	9/20/22
7	T28825735	A07	9/20/22	29	T28825757	J3	9/20/22
8	T28825736	A08	9/20/22	30	T28825758	J4	9/20/22
9	T28825737	A09	9/20/22				
10	T28825738	A10	9/20/22				
11	T28825739	A11	9/20/22				
12	T28825740	A12	9/20/22				
13	T28825741	A13GIR	9/20/22				
14	T28825742	B01GE	9/20/22				
15	T28825743	B02	9/20/22				
16	T28825744	B03	9/20/22				
17	T28825745	C01GIR	9/20/22				
18	T28825746	C02	9/20/22				
19	T28825747	C03	9/20/22				
20	T28825748	C04	9/20/22				
21	T28825749	CJ01	9/20/22				
22	T28825750	CJ02	9/20/22				

The truss drawing(s) referenced above have been prepared by MiTek USA, Inc. under my direct supervision based on the parameters provided by Mayo Truss Company, Inc..

Truss Design Engineer's Name: Lee, Julius
 My license renewal date for the state of Florida is February 28, 2023.

IMPORTANT NOTE: The seal on these truss component designs is a certification that the engineer named is licensed in the jurisdiction(s) identified and that the designs comply with ANSI/TPI 1. These designs are based upon parameters shown (e.g., loads, supports, dimensions, shapes and design codes), which were given to MiTek or TRENCO. Any project specific information included is for MiTek's or TRENCO's customers file reference purpose only, and was not taken into account in the preparation of these designs. MiTek or TRENCO has not independently verified the applicability of the design parameters or the designs for any particular building. Before use, the building designer should verify applicability of design parameters and properly incorporate these designs into the overall building design per ANSI/TPI 1, Chapter 2.



Julius Lee PE No. 34869
 MiTek Inc. DBA MiTek USA FL Cert 6634
 16023 Swingley Ridge Rd. Chesterfield, MO 63017
 Date:

September 20, 2022

Job	Truss	Truss Type	Qty	Ply	LaFlamme	T28825729
LAFLAMME	A01GIR	Half Hip Girder	1	2		

Job Reference (optional)

Mayo Truss Company, Inc., Mayo, FL - 32066,

8.530 s Aug 11 2022 MiTek Industries, Inc. Tue Sep 20 07:35:38 2022 Page 1

ID:LxgNNNKx_AgyVpLF81BKzykv4a-vUjkGb4abNpvTELghF2pHoyyF9gkNOCUZtaulxyboZ



Scale = 1:51.7

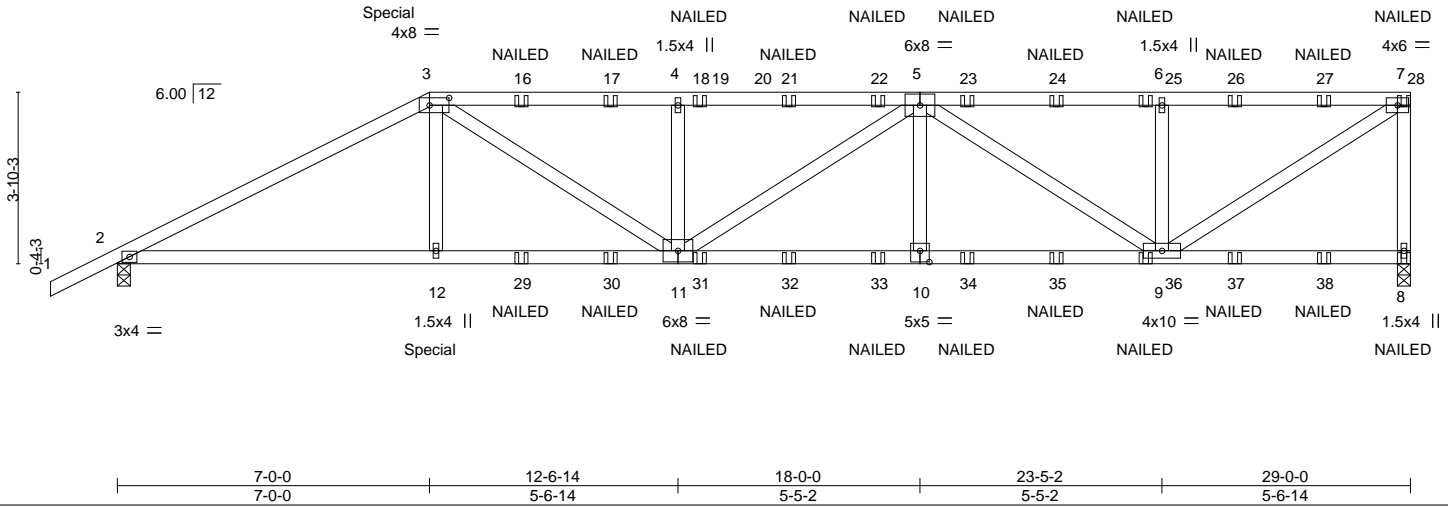


Plate Offsets (X,Y)-- [3:0-5-4,0-2-0], [10:0-2-8,0-3-0]

LOADING (psf)	SPACING-	CSI.	DEFL.	PLATES	GRIP
TCLL 20.0	Plate Grip DOL 1.25	TC 0.57	in (loc) l/defl L/d	MT20	244/190
TCDL 10.0	Lumber DOL 1.25	BC 0.86	Vert(LL) -0.15 10-11 >999 240		
BCLL 0.0 *	Rep Stress Incr NO	WB 0.44	Vert(CT) -0.34 10-11 >999 180		
BCDL 10.0	Code FBC2020/TPI2014	Matrix-MS	Horz(CT) 0.08 8 n/a n/a		
				Weight: 301 lb	FT = 20%

LUMBER-
 TOP CHORD 2x4 SP No.2
 BOT CHORD 2x4 SP No.2
 WEBS 2x4 SP No.2

BRACING-
 TOP CHORD Structural wood sheathing directly applied or 4-9-10 oc purlins, except end verticals.
 BOT CHORD Rigid ceiling directly applied or 10-0-0 oc bracing.

REACTIONS. (size) 8=0-3-8, 2=0-3-8
 Max Horz 2=117(LC 24)
 Max Uplift 8=-16(LC 8), 2=-4(LC 8)
 Max Grav 8=2680(LC 1), 2=2357(LC 1)

"Special" indicates special hanger(s) or other connection device(s) required at location(s) shown. The design/selection of such special connection device(s) is the responsibility of others. This applies to all applicable truss designs in this job.

FORCES. (lb) - Max. Comp./Max. Ten. - All forces 250 (lb) or less except when shown.
 TOP CHORD 2-3=-4522/0, 3-4=-5230/37, 4-5=-5230/37, 5-6=-3296/47, 6-7=-3296/47, 7-8=-2509/95
 BOT CHORD 2-12=0/3962, 11-12=0/3986, 10-11=-6/4850, 9-10=-6/4850
 WEBS 3-12=0/718, 3-11=-100/1549, 4-11=-805/182, 5-11=-1/455, 5-10=0/395, 5-9=-1857/0, 6-9=-793/188, 7-9=-14/3884

NOTES-

- 2-ply truss to be connected together with 10d (0.131"x3") nails as follows:
 Top chords connected as follows: 2x4 - 1 row at 0-9-0 oc.
 Bottom chords connected as follows: 2x4 - 1 row at 0-9-0 oc.
 Webs connected as follows: 2x4 - 1 row at 0-9-0 oc.
- All loads are considered equally applied to all plies, except if noted as front (F) or back (B) face in the LOAD CASE(S) section. Ply to ply connections have been provided to distribute only loads noted as (F) or (B), unless otherwise indicated.
- Unbalanced roof live loads have been considered for this design.
- Wind: ASCE 7-16; Vult=130mph (3-second gust) Vasd=101mph; TCDL=6.0psf; BCDL=6.0psf; h=15ft; B=45ft; L=29ft; eave=4ft; Cat. II; Exp B; Encl., GCpi=0.18; MWFRS (directional); cantilever left and right exposed; end vertical left and right exposed; Lumber DOL=1.60 plate grip DOL=1.60
- Building Designer / Project engineer responsible for verifying applied roof live load shown covers rain loading requirements specific to the use of this truss component.
- Provide adequate drainage to prevent water ponding.
- This truss has been designed for a 10.0 psf bottom chord live load nonconcurrent with any other live loads.
- * This truss has been designed for a live load of 20.0psf on the bottom chord in all areas where a rectangle 3-6-0 tall by 2-0-0 wide will fit between the bottom chord and any other members.
- Provide mechanical connection (by others) to bearing plate capable of withstanding 100 lb uplift at joint(s) 8, 2.
- "NAILED" indicates 3-10d (0.148"x3") or 3-12d (0.148"x3.25") toe-nails per NDS guidelines.
- Hanger(s) or other connection device(s) shall be provided sufficient to support concentrated load(s) 231 lb down and 137 lb up at 7-0-0 on top chord, and 358 lb down at 7-0-0 on bottom chord. The design/selection of such connection device(s) is the responsibility of others.



Julius Lee PE No. 34869
 MiTek Inc. DBA MiTek USA FL Cert 6634
 16023 Swingley Ridge Rd. Chesterfield, MO 63017
 Date:

LOAD CASE(S) Standard

September 20,2022

Continued on page 2

WARNING - Verify design parameters and READ NOTES ON THIS AND INCLUDED MITEK REFERENCE PAGE MII-7473 rev. 5/19/2020 BEFORE USE.

Design valid for use only with MiTek® connectors. This design is based only upon parameters shown, and is for an individual building component, not a truss system. Before use, the building designer must verify the applicability of design parameters and properly incorporate this design into the overall building design. Bracing indicated is to prevent buckling of individual truss web and/or chord members only. Additional temporary and permanent bracing is always required for stability and to prevent collapse with possible personal injury and property damage. For general guidance regarding the fabrication, storage, delivery, erection and bracing of trusses and truss systems, see

ANSI/TPI1 Quality Criteria, DSB-89 and BCSI Building Component

Safety Information available from Truss Plate Institute, 2670 Crain Highway, Suite 203 Waldorf, MD 20601



16023 Swingley Ridge Rd
 Chesterfield, MO 63017

Job	Truss	Truss Type	Qty	Ply	LaFlamme	T28825729
LAFLAMME	A01GIR	Half Hip Girder	1	2	Job Reference (optional)	

Mayo Truss Company, Inc., Mayo, FL - 32066,

8.530 s Aug 11 2022 MiTek Industries, Inc. Tue Sep 20 07:35:38 2022 Page 2
 ID:LxgNNNKx_AgyVpLF81BKzykv4a-vUjkGb4abNpvTELghF2pHoyyF9gkN0CUZtaulxybotZ

LOAD CASE(S) Standard

1) Dead + Roof Live (balanced): Lumber Increase=1.25, Plate Increase=1.25

Uniform Loads (plf)

Vert: 1-3=-60, 3-7=-60, 8-13=-20

Concentrated Loads (lb)

Vert: 3=-184(F) 7=-149(F) 8=-70(F) 12=-358(F) 16=-125(F) 17=-125(F) 18=-125(F) 21=-125(F) 22=-125(F) 23=-125(F) 24=-125(F) 25=-125(F) 26=-125(F)
 27=-125(F) 29=-62(F) 30=-62(F) 31=-62(F) 32=-62(F) 33=-62(F) 34=-62(F) 35=-62(F) 36=-62(F) 37=-62(F) 38=-62(F)

 **WARNING - Verify design parameters and READ NOTES ON THIS AND INCLUDED MITEK REFERENCE PAGE MII-7473 rev. 5/19/2020 BEFORE USE.**

Design valid for use only with MiTek® connectors. This design is based only upon parameters shown, and is for an individual building component, not a truss system. Before use, the building designer must verify the applicability of design parameters and properly incorporate this design into the overall building design. Bracing indicated is to prevent buckling of individual truss web and/or chord members only. Additional temporary and permanent bracing is always required for stability and to prevent collapse with possible personal injury and property damage. For general guidance regarding the fabrication, storage, delivery, erection and bracing of trusses and truss systems, see

ANSI/TPI1 Quality Criteria, DSB-89 and BCSI Building Component

Safety Information available from Truss Plate Institute, 2670 Crain Highway, Suite 203 Waldorf, MD 20601



16023 Swingley Ridge Rd
 Chesterfield, MO 63017

Job	Truss	Truss Type	Qty	Ply	LaFlamme	T28825730
LAFLAMME	A02	Half Hip	1	1		
					Job Reference (optional)	

Mayo Truss Company, Inc., Mayo, FL - 32066,

8.530 s Aug 11 2022 MiTek Industries, Inc. Tue Sep 20 07:35:39 2022 Page 1

ID:LxgNNNKx_AgyVpLF81BKzykv4a-OhH6Tx5CMhxm5NwsFyZ2q?U7RZ4u6SCdoWJsqNybotY



Scale = 1:51.3

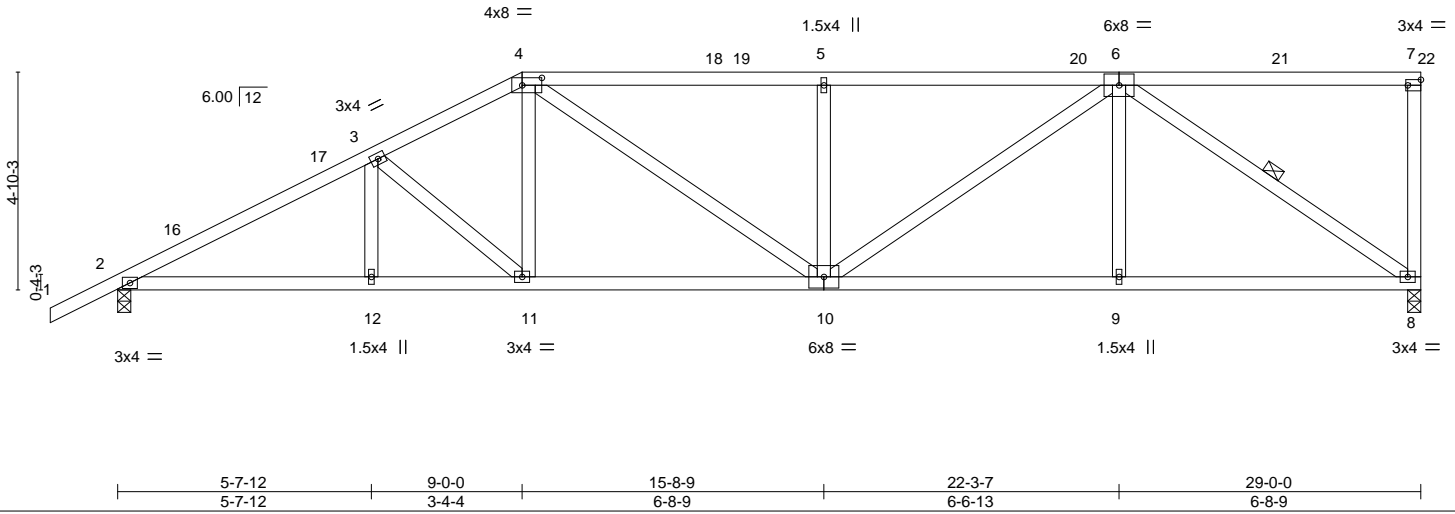


Plate Offsets (X,Y)--	[4:0-5-4,0-2-0], [7:Edge,0-1-8]
-----------------------	---------------------------------

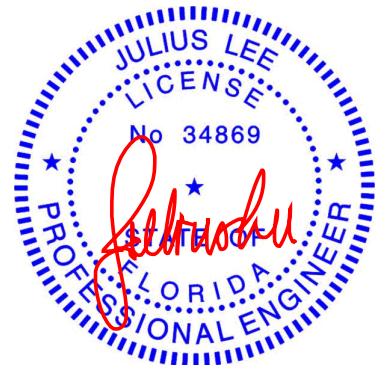
LOADING (psf)	SPACING-	CSI.	DEFL.	PLATES	GRIP
TCLL 20.0	Plate Grip DOL 1.25	TC 0.54	Vert(LL) -0.11 10-11 >999 240	MT20	244/190
TCDL 10.0	Lumber DOL 1.25	BC 0.61	Vert(CT) -0.27 10-11 >999 180		
BCLL 0.0 *	Rep Stress Incr YES	WB 0.45	Horz(CT) 0.07 8 n/a n/a		
BCDL 10.0	Code FBC2020/TPI2014	Matrix-AS		Weight: 160 lb	FT = 20%

LUMBER-	BRACING-
TOP CHORD 2x4 SP No.2	TOP CHORD Structural wood sheathing directly applied, except end verticals.
BOT CHORD 2x4 SP No.2	BOT CHORD Rigid ceiling directly applied.
WEBS 2x4 SP No.2	WEBS 1 Row at midpt 6-8

REACTIONS. (size) 8=0-3-8, 2=0-3-8
 Max Horz 2=147(LC 11)
 Max Uplift 2=-36(LC 12)
 Max Grav 8=1152(LC 1), 2=1247(LC 1)


FORCES. (lb) - Max. Comp./Max. Ten. - All forces 250 (lb) or less except when shown.
 TOP CHORD 2-3=-2136/60, 3-4=-1822/85, 4-5=-1870/112, 5-6=-1870/112
 BOT CHORD 2-12=-180/1852, 11-12=-180/1852, 10-11=-132/1598, 9-10=-65/1301, 8-9=-65/1301
 WEBS 3-11=-343/60, 4-11=0/410, 4-10=-29/427, 5-10=-473/109, 6-10=-75/693, 6-9=0/311, 6-8=-1531/34

- NOTES-**
- 1) Unbalanced roof live loads have been considered for this design.
 - 2) Wind: ASCE 7-16; Vult=130mph (3-second gust) Vasd=101mph; TCDL=6.0psf; BCDL=6.0psf; h=15ft; B=45ft; L=29ft; eave=4ft; Cat. II; Exp B; Encl. GCpi=0.18; MWFRS (directional) and C-C Exterior(2E) -1-6-0 to 1-6-0, Interior(1) 1-6-0 to 9-0-0, Exterior(2R) 9-0-0 to 13-2-15, Interior(1) 13-2-15 to 28-10-4 zone; cantilever left and right exposed; end vertical left and right exposed; C-C for members and forces & MWFRS for reactions shown; Lumber DOL=1.60 plate grip DOL=1.60
 - 3) Building Designer / Project engineer responsible for verifying applied roof live load shown covers rain loading requirements specific to the use of this truss component.
 - 4) Provide adequate drainage to prevent water ponding.
 - 5) This truss has been designed for a 10.0 psf bottom chord live load nonconcurrent with any other live loads.
 - 6) * This truss has been designed for a live load of 20.0psf on the bottom chord in all areas where a rectangle 3-6-0 tall by 2-0-0 wide will fit between the bottom chord and any other members.
 - 7) Provide mechanical connection (by others) of truss to bearing plate capable of withstanding 100 lb uplift at joint(s) 2.
 - 8) This truss design requires that a minimum of 7/16" structural wood sheathing be applied directly to the top chord and 1/2" gypsum sheetrock be applied directly to the bottom chord.



Julius Lee PE No. 34869
 MiTek Inc. DBA MiTek USA FL Cert 6634
 16023 Swingley Ridge Rd. Chesterfield, MO 63017
 Date:

September 20,2022

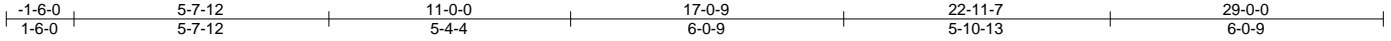
<p>WARNING - Verify design parameters and READ NOTES ON THIS AND INCLUDED MITEK REFERENCE PAGE MII-7473 rev. 5/19/2020 BEFORE USE.</p> <p>Design valid for use only with MiTek® connectors. This design is based only upon parameters shown, and is for an individual building component, not a truss system. Before use, the building designer must verify the applicability of design parameters and properly incorporate this design into the overall building design. Bracing indicated is to prevent buckling of individual truss web and/or chord members only. Additional temporary and permanent bracing is always required for stability and to prevent collapse with possible personal injury and property damage. For general guidance regarding the fabrication, storage, delivery, erection and bracing of trusses and truss systems, see ANSI/TPI1 Quality Criteria, DSB-89 and BCSI Building Component Safety Information available from Truss Plate Institute, 2670 Crain Highway, Suite 203 Waldorf, MD 20601</p>	 <p>16023 Swingley Ridge Rd Chesterfield, MO 63017</p>
--	--

Job	Truss	Truss Type	Qty	Ply	LaFlamme	T28825731
LAFLAMME	A03	Half Hip	1	1		

Mayo Truss Company, Inc., Mayo, FL - 32066,

8.530 s Aug 11 2022 MiTek Industries, Inc. Tue Sep 20 07:35:40 2022 Page 1

ID:LxgNNNKx_AgyVpLF81BKzykv4a-stqUhH6q7?3djXv2og4HND1JdyPCrwHn1A3?MpybotX



Scale = 1:51.0

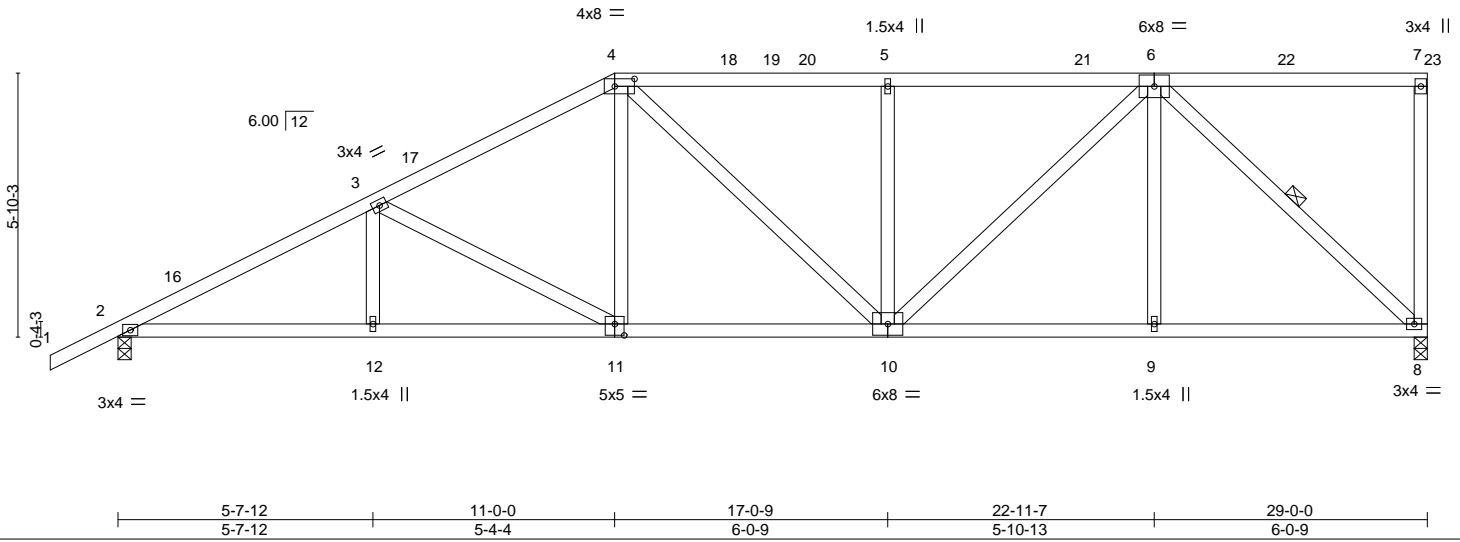


Plate Offsets (X,Y)-- [4:0-5-4,0-2-0], [11:0-2-8,0-3-0]

LOADING (psf)	SPACING-	CSI.	DEFL.	PLATES	GRIP
TCLL 20.0	Plate Grip DOL 1.25	TC 0.45	in (loc) l/defl L/d	MT20	244/190
TCDL 10.0	Lumber DOL 1.25	BC 0.67	Vert(LL) -0.12 10-11 >999 240		
BCLL 0.0 *	Rep Stress Incr YES	WB 0.40	Vert(CT) -0.27 10-11 >999 180		
BCDL 10.0	Code FBC2020/TPI2014	Matrix-AS	Horz(CT) 0.07 8 n/a n/a		
				Weight: 169 lb	FT = 20%

LUMBER-

TOP CHORD 2x4 SP No.2
 BOT CHORD 2x4 SP No.2
 WEBS 2x4 SP No.2

BRACING-

TOP CHORD Structural wood sheathing directly applied, except end verticals.
 BOT CHORD Rigid ceiling directly applied.
 WEBS 1 Row at midpt 6-8

REACTIONS.

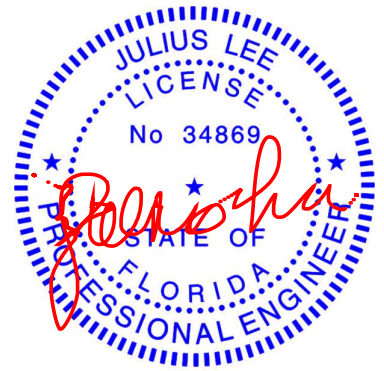
(size) 8=0-3-8, 2=0-3-8
 Max Horz 2=177(LC 11)
 Max Uplift 8=-1(LC 12), 2=-35(LC 12)
 Max Grav 8=1152(LC 1), 2=1247(LC 1)

FORCES. (lb) - Max. Comp./Max. Ten. - All forces 250 (lb) or less except when shown.

TOP CHORD 2-3=-2162/54, 3-4=-1671/100, 4-5=-1485/114, 5-6=-1485/114
 BOT CHORD 2-12=-202/1879, 11-12=-202/1879, 10-11=-155/1426, 9-10=-74/986, 8-9=-74/986
 WEBS 3-11=-513/53, 4-11=0/398, 5-10=-425/97, 6-10=-73/686, 6-9=0/281, 6-8=-1318/43

NOTES-

- Unbalanced roof live loads have been considered for this design.
- Wind: ASCE 7-16; Vult=130mph (3-second gust) Vasd=101mph; TCCL=6.0psf; BCCL=6.0psf; h=15ft; B=45ft; L=29ft; eave=4ft; Cat. II; Exp B; Encl., GCpi=0.18; MWFRS (directional) and C-C Exterior(2E) -1-6-0 to 1-6-0, Interior(1) 1-6-0 to 11-0-0, Exterior(2R) 11-0-0 to 15-2-15, Interior(1) 15-2-15 to 28-10-4 zone; cantilever left and right exposed; end vertical left and right exposed; C-C for members and forces & MWFRS for reactions shown; Lumber DOL=1.60 plate grip DOL=1.60
- Building Designer / Project engineer responsible for verifying applied roof live load shown covers rain loading requirements specific to the use of this truss component.
- Provide adequate drainage to prevent water ponding.
- This truss has been designed for a 10.0 psf bottom chord live load nonconcurrent with any other live loads.
- * This truss has been designed for a live load of 20.0psf on the bottom chord in all areas where a rectangle 3-6-0 tall by 2-0-0 wide will fit between the bottom chord and any other members.
- Provide mechanical connection (by others) of truss to bearing plate capable of withstanding 100 lb uplift at joint(s) 8, 2.
- This truss design requires that a minimum of 7/16" structural wood sheathing be applied directly to the top chord and 1/2" gypsum sheetrock be applied directly to the bottom chord.



Julius Lee PE No. 34869
 MiTek Inc. DBA MiTek USA FL Cert 6634
 16023 Swingley Ridge Rd. Chesterfield, MO 63017
 Date:

September 20,2022

WARNING - Verify design parameters and READ NOTES ON THIS AND INCLUDED MITEK REFERENCE PAGE MII-7473 rev. 5/19/2020 BEFORE USE.

Design valid for use only with MiTek® connectors. This design is based only upon parameters shown, and is for an individual building component, not a truss system. Before use, the building designer must verify the applicability of design parameters and properly incorporate this design into the overall building design. Bracing indicated is to prevent buckling of individual truss web and/or chord members only. Additional temporary and permanent bracing is always required for stability and to prevent collapse with possible personal injury and property damage. For general guidance regarding the fabrication, storage, delivery, erection and bracing of trusses and truss systems, see

ANSI/TPI1 Quality Criteria, DSB-89 and BCSI Building Component

Safety Information available from Truss Plate Institute, 2670 Crain Highway, Suite 203 Waldorf, MD 20601



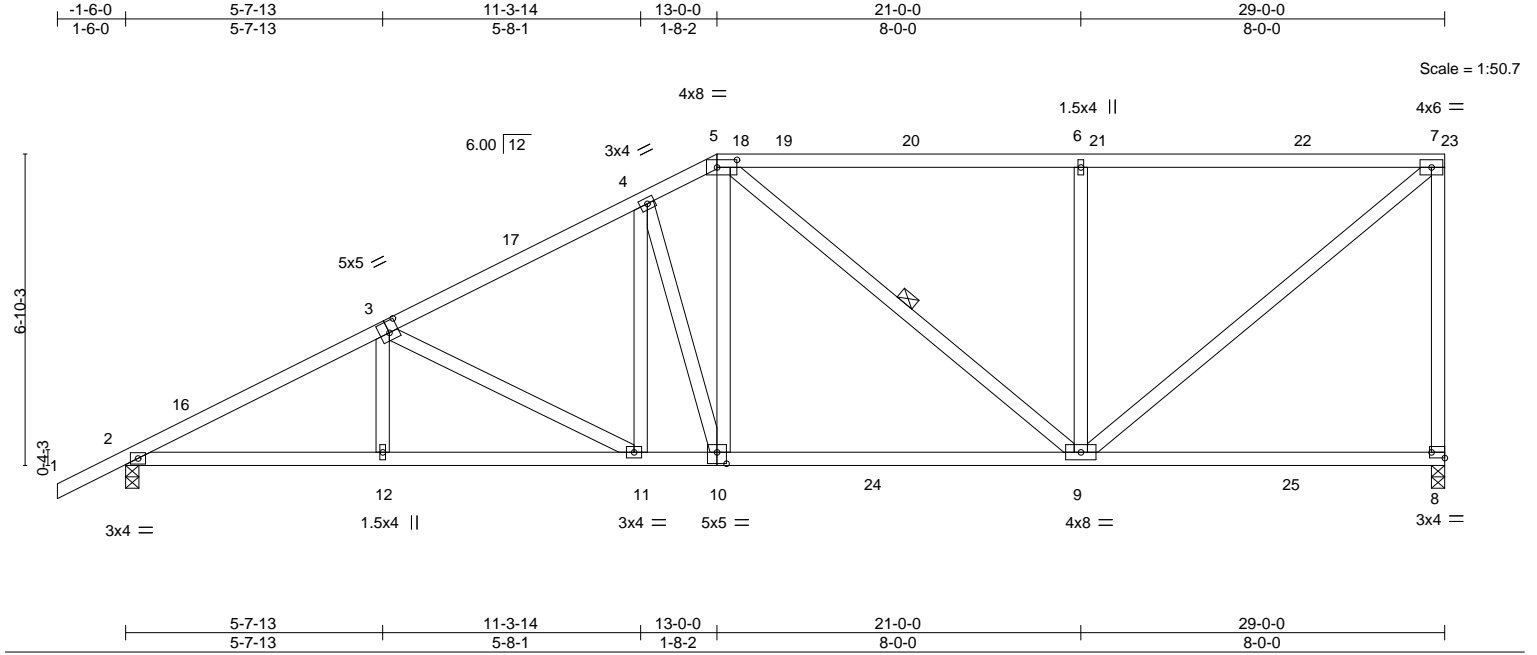
16023 Swingley Ridge Rd
 Chesterfield, MO 63017

Job LAFLAMME	Truss A04	Truss Type Half Hip	Qty 1	Ply 1	LaFlamme T28825732
-----------------	--------------	------------------------	----------	----------	-----------------------

Mayo Truss Company, Inc., Mayo, FL - 32066,

8.530 s Aug 11 2022 MiTek Industries, Inc. Tue Sep 20 07:35:41 2022 Page 1

ID:LxgNNNKx_AgyVpLF81BKzykv4a-K3Osud7SulBULh4FMNBWvQaMrMhcaNNWgqoYvGybotW



LOADING (psf)	SPACING-	CSI.	DEFL.	PLATES	GRIP
TCLL 20.0	2-0-0	TC 1.00	in (loc) l/defl L/d	MT20	244/190
TCDL 10.0	Plate Grip DOL 1.25	BC 0.91	Vert(LL) -0.21 9-10 >999 240		
BCLL 0.0 *	Lumber DOL 1.25	WB 0.41	Vert(CT) -0.40 9-10 >874 180		
BCDL 10.0	Rep Stress Incr YES	Matrix-AS	Horz(CT) 0.06 8 n/a n/a		
	Code FBC2020/TPI2014			Weight: 178 lb	FT = 20%

LUMBER-	BRACING-
TOP CHORD 2x4 SP No.2	TOP CHORD Structural wood sheathing directly applied, except end verticals.
BOT CHORD 2x4 SP No.2	BOT CHORD Rigid ceiling directly applied.
WEBS 2x4 SP No.2	WEBS 1 Row at midpt 5-9

REACTIONS. (size) 8=0-3-8, 2=0-3-8
 Max Horz 2=207(LC 11)
 Max Uplift 8=-1(LC 12), 2=-35(LC 12)
 Max Grav 8=1330(LC 17), 2=1396(LC 17)

FORCES. (lb) - Max. Comp./Max. Ten. - All forces 250 (lb) or less except when shown.
 TOP CHORD 2-3=-2410/39, 3-4=-1847/91, 4-5=-1659/128, 5-6=-1222/107, 6-7=-1222/107,
 7-8=-1176/100
 BOT CHORD 2-12=-203/2162, 11-12=-205/2156, 10-11=-178/1662, 9-10=-160/1492
 WEBS 3-11=-556/30, 4-11=0/409, 4-10=-604/67, 5-10=-35/721, 5-9=-309/67, 6-9=-544/128,
 7-9=-79/1574


- NOTES-**
- Unbalanced roof live loads have been considered for this design.
 - Wind: ASCE 7-16; Vult=130mph (3-second gust) Vasd=101mph; TC DL=6.0psf; BCDL=6.0psf; h=15ft; B=45ft; L=29ft; eave=4ft; Cat. II; Exp B; Encl., GCpi=0.18; MWFRS (directional) and C-C Exterior(2E) 1-6-0 to 1-6-0, Interior(1) 1-6-0 to 13-0-0, Exterior(2R) 13-0-0 to 17-2-15, Interior(1) 17-2-15 to 28-10-4 zone; cantilever left and right exposed ; end vertical left and right exposed; C-C for members and forces & MWFRS for reactions shown; Lumber DOL=1.60 plate grip DOL=1.60
 - Building Designer / Project engineer responsible for verifying applied roof live load shown covers rain loading requirements specific to the use of this truss component.
 - Provide adequate drainage to prevent water ponding.
 - This truss has been designed for a 10.0 psf bottom chord live load nonconcurrent with any other live loads.
 - * This truss has been designed for a live load of 20.0psf on the bottom chord in all areas where a rectangle 3-6-0 tall by 2-0-0 wide will fit between the bottom chord and any other members, with BCDL = 10.0psf.
 - Provide mechanical connection (by others) of truss to bearing plate capable of withstanding 100 lb uplift at joint(s) 8, 2.
 - This truss design requires that a minimum of 7/16" structural wood sheathing be applied directly to the top chord and 1/2" gypsum sheetrock be applied directly to the bottom chord.



Julius Lee PE No. 34869
 MiTek Inc. DBA MiTek USA FL Cert 6634
 16023 Swingley Ridge Rd. Chesterfield, MO 63017
 Date:

September 20, 2022

WARNING - Verify design parameters and READ NOTES ON THIS AND INCLUDED MITEK REFERENCE PAGE MII-7473 rev. 5/19/2020 BEFORE USE.
 Design valid for use only with MiTek® connectors. This design is based only upon parameters shown, and is for an individual building component, not a truss system. Before use, the building designer must verify the applicability of design parameters and properly incorporate this design into the overall building design. Bracing indicated is to prevent buckling of individual truss web and/or chord members only. Additional temporary and permanent bracing is always required for stability and to prevent collapse with possible personal injury and property damage. For general guidance regarding the fabrication, storage, delivery, erection and bracing of trusses and truss systems, see **ANSI/TPI1 Quality Criteria, DSB-89 and BCSI Building Component Safety Information** available from Truss Plate Institute, 2670 Crain Highway, Suite 203 Waldorf, MD 20601



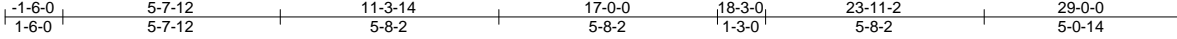
16023 Swingley Ridge Rd
 Chesterfield, MO 63017

Job	Truss	Truss Type	Qty	Ply	LaFlamme	T28825734
LAFLAMME	A06	Hip	1	1		

Mayo Truss Company, Inc., Mayo, FL - 32066,

8.530 s Aug 11 2022 MiTek Industries, Inc. Tue Sep 20 07:35:43 2022 Page 1

ID:LxgNNNKx_AgyVpLF81BKzykv4a-GSWdJJ8jQwRca?EdUod_rfrwARa2DPDj8Hfz8ybotU



Scale = 1:59.8

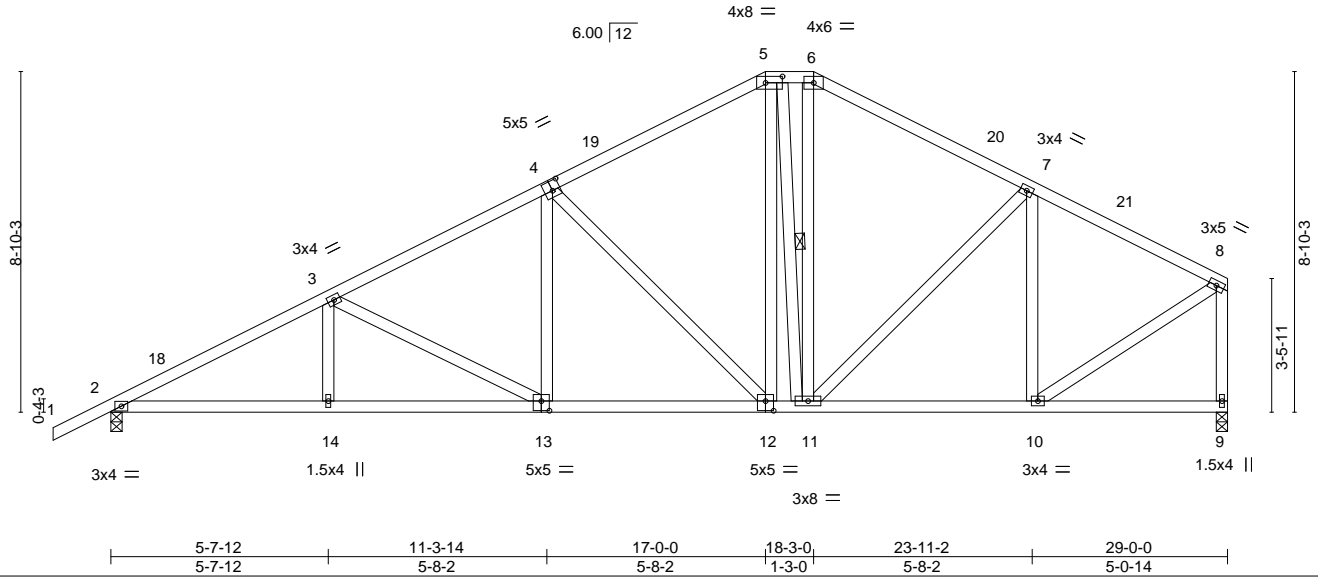


Plate Offsets (X,Y)-- [4:0-2-8,0-3-0], [5:0-5-4,0-2-0], [12:0-2-8,0-3-0], [13:0-2-8,0-3-0]

LOADING (psf)	SPACING-	CSI.	DEFL.	PLATES	GRIP
TCLL 20.0	2-0-0	TC 0.45	in (loc) l/defl L/d	MT20	244/190
TCDL 10.0	Plate Grip DOL 1.25	BC 0.62	Vert(LL) -0.10 12-13 >999 240		
BCLL 0.0 *	Lumber DOL 1.25	WB 0.70	Vert(CT) -0.24 12-13 >999 180		
BCDL 10.0	Rep Stress Incr YES	Matrix-AS	Horz(CT) 0.06 9 n/a n/a		
	Code FBC2020/TPI2014			Weight: 196 lb	FT = 20%

LUMBER-

TOP CHORD 2x4 SP No.2
 BOT CHORD 2x4 SP No.2
 WEBS 2x4 SP No.2

BRACING-

TOP CHORD Structural wood sheathing directly applied, except end verticals.
 BOT CHORD Rigid ceiling directly applied.
 WEBS 1 Row at midpt 5-11

REACTIONS.

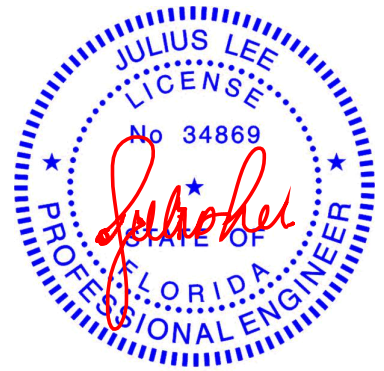
(size) 2=0-3-8, 9=0-3-8
 Max Horz 2=198(LC 11)
 Max Uplift 2=-37(LC 12)
 Max Grav 2=1247(LC 1), 9=1152(LC 1)

FORCES. (lb) - Max. Comp./Max. Ten. - All forces 250 (lb) or less except when shown.

TOP CHORD 2-3=-2175/56, 3-4=-1648/93, 4-5=-1118/132, 5-6=-925/140, 6-7=-1113/126,
 7-8=-1020/85, 8-9=-1105/72
 BOT CHORD 2-14=-128/1895, 13-14=-128/1895, 12-13=-83/1377, 11-12=-42/954, 10-11=-55/862
 WEBS 3-14=0/253, 3-13=-569/52, 4-13=0/403, 4-12=-607/58, 5-12=-23/445, 5-11=-345/70,
 6-11=-28/357, 7-10=-443/92, 8-10=-33/1001

NOTES-

- Unbalanced roof live loads have been considered for this design.
- Wind: ASCE 7-16; Vult=130mph (3-second gust) Vasd=101mph; TC DL=6.0psf; BCDL=6.0psf; h=15ft; B=45ft; L=29ft; eave=4ft; Cat. II; Exp B; Encl., GCpi=0.18; MWFRS (directional) and C-C Exterior(2E) 1-6-0 to 1-6-0, Interior(1) 1-6-0 to 17-0-0, Exterior(2E) 17-0-0 to 18-3-0, Exterior(2R) 18-3-0 to 22-5-15, Interior(1) 22-5-15 to 28-10-4 zone; cantilever left and right exposed; end vertical left and right exposed; C-C for members and forces & MWFRS for reactions shown; Lumber DOL=1.60 plate grip DOL=1.60
- Building Designer / Project engineer responsible for verifying applied roof live load shown covers rain loading requirements specific to the use of this truss component.
- Provide adequate drainage to prevent water ponding.
- This truss has been designed for a 10.0 psf bottom chord live load nonconcurrent with any other live loads.
- * This truss has been designed for a live load of 20.0psf on the bottom chord in all areas where a rectangle 3-6-0 tall by 2-0-0 wide will fit between the bottom chord and any other members.
- Provide mechanical connection (by others) of truss to bearing plate capable of withstanding 100 lb uplift at joint(s) 2.
- This truss design requires that a minimum of 7/16" structural wood sheathing be applied directly to the top chord and 1/2" gypsum sheetrock be applied directly to the bottom chord.



Julius Lee PE No. 34869
 MiTek Inc. DBA MiTek USA FL Cert 6634
 16023 Swingley Ridge Rd. Chesterfield, MO 63017
 Date:

September 20, 2022

WARNING - Verify design parameters and READ NOTES ON THIS AND INCLUDED MITEK REFERENCE PAGE MII-7473 rev. 5/19/2020 BEFORE USE.

Design valid for use only with MiTek® connectors. This design is based only upon parameters shown, and is for an individual building component, not a truss system. Before use, the building designer must verify the applicability of design parameters and properly incorporate this design into the overall building design. Bracing indicated is to prevent buckling of individual truss web and/or chord members only. Additional temporary and permanent bracing is always required for stability and to prevent collapse with possible personal injury and property damage. For general guidance regarding the fabrication, storage, delivery, erection and bracing of trusses and truss systems, see

ANSI/TPI1 Quality Criteria, DSB-89 and BCSI Building Component

Safety Information available from Truss Plate Institute, 2670 Crain Highway, Suite 203 Waldorf, MD 20601



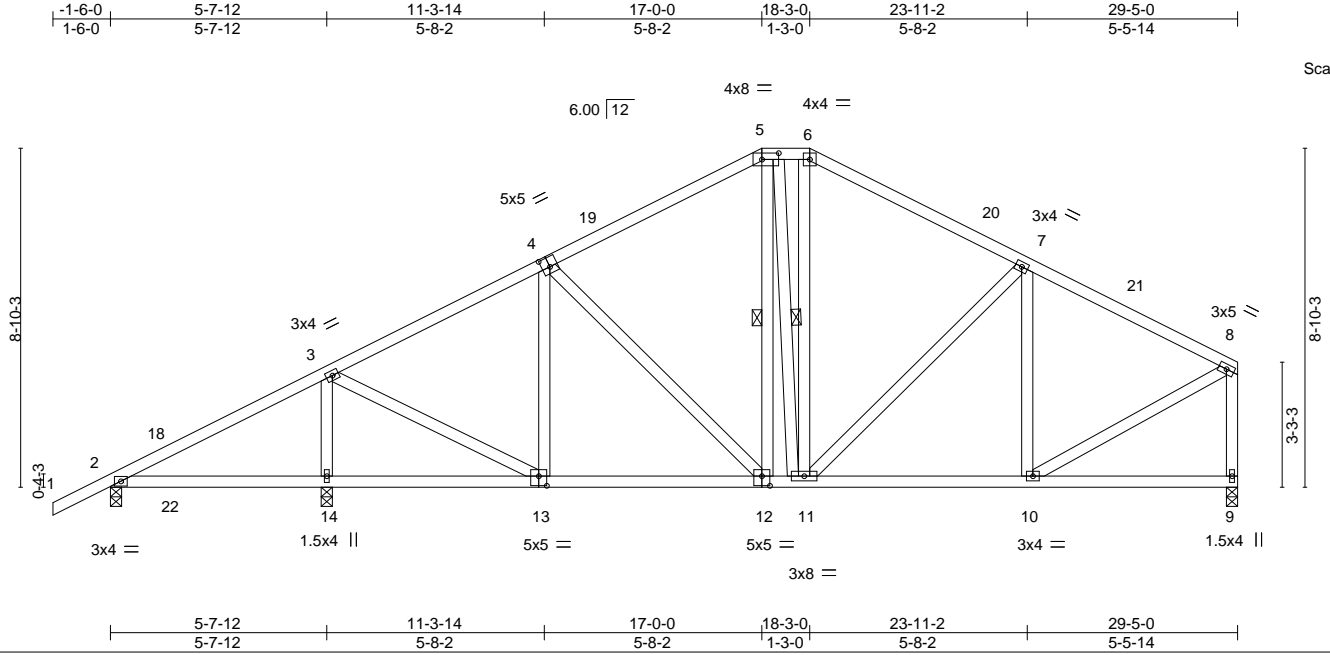
16023 Swingley Ridge Rd
 Chesterfield, MO 63017

Job	Truss	Truss Type	Qty	Ply	LaFlamme	T28825736
LAFLAMME	A08	Hip	1	1		

Mayo Truss Company, Inc., Mayo, FL - 32066,

8.530 s Aug 11 2022 MiTek Industries, Inc. Tue Sep 20 07:35:46 2022 Page 1

ID:LxgNNNKx_AgyVpLF811BKzykv4a-g1CixKBjrpnrSyC9wBhcUHLINUfFi9fP6WJaTybotR



Scale = 1:60.1

Plate Offsets (X,Y)-- [4:0-2-8,0-3-0], [5:0-5-4,0-2-0], [12:0-2-8,0-3-0], [13:0-2-8,0-3-0]

LOADING (psf)	SPACING-	CSI.	DEFL.	in (loc)	l/defl	L/d	PLATES	GRIP
TCLL 20.0	Plate Grip DOL 1.25	TC 0.41	Vert(LL)	-0.08	12-13	>999	MT20	244/190
TCDL 10.0	Lumber DOL 1.25	BC 0.52	Vert(CT)	-0.17	12-13	>999		
BCLL 0.0 *	Rep Stress Incr YES	WB 0.18	Horz(CT)	0.01	9	n/a		
BCDL 10.0	Code FBC2020/TPI2014	Matrix-AS					Weight: 197 lb	FT = 20%

LUMBER-

TOP CHORD 2x4 SP No.2
 BOT CHORD 2x4 SP No.2
 WEBS 2x4 SP No.2

BRACING-

TOP CHORD Structural wood sheathing directly applied, except end verticals.
 BOT CHORD Rigid ceiling directly applied.
 WEBS 1 Row at midpt 5-12, 5-11

REACTIONS.

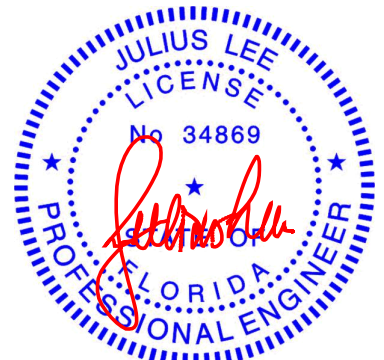
(size) 2=0-3-8, 14=0-3-8, 9=0-3-8
 Max Horz 2=196(LC 11)
 Max Uplift 2=-86(LC 12), 14=-48(LC 12)
 Max Grav 2=249(LC 21), 14=1269(LC 1), 9=924(LC 1)

FORCES. (lb) - Max. Comp./Max. Ten. - All forces 250 (lb) or less except when shown.

TOP CHORD 3-4=-808/82, 4-5=-762/126, 5-6=-638/135, 6-7=-796/122, 7-8=-852/81, 8-9=-874/62
 BOT CHORD 12-13=-38/649, 11-12=-19/636, 10-11=-40/707
 WEBS 3-14=-1121/134, 3-13=0/791, 4-13=-266/65, 7-10=-267/84, 8-10=-17/775

NOTES-

- Unbalanced roof live loads have been considered for this design.
- Wind: ASCE 7-16; Vult=130mph (3-second gust) Vasd=101mph; TCdL=6.0psf; BCDL=6.0psf; h=15ft; B=45ft; L=29ft; eave=4ft; Cat. II; Exp B; Encl., GCpi=0.18; MWFRS (directional) and C-C Exterior(2E) -1-6-0 to 1-6-0, Interior(1) 1-6-0 to 17-0-0, Exterior(2E) 17-0-0 to 18-3-0, Exterior(2R) 18-3-0 to 22-5-15, Interior(1) 22-5-15 to 29-3-4 zone; cantilever left and right exposed; end vertical left and right exposed; porch left exposed; C-C for members and forces & MWFRS for reactions shown; Lumber DOL=1.60 plate grip DOL=1.60
- Building Designer / Project engineer responsible for verifying applied roof live load shown covers rain loading requirements specific to the use of this truss component.
- Provide adequate drainage to prevent water ponding.
- This truss has been designed for a 10.0 psf bottom chord live load nonconcurrent with any other live loads.
- * This truss has been designed for a live load of 20.0psf on the bottom chord in all areas where a rectangle 3-6-0 tall by 2-0-0 wide will fit between the bottom chord and any other members.
- Provide mechanical connection (by others) of truss to bearing plate capable of withstanding 100 lb uplift at joint(s) 2, 14.
- This truss design requires that a minimum of 7/16" structural wood sheathing be applied directly to the top chord and 1/2" gypsum sheetrock be applied directly to the bottom chord.



Julius Lee PE No. 34869
 MiTek Inc. DBA MiTek USA FL Cert 6634
 16023 Swingley Ridge Rd. Chesterfield, MO 63017
 Date:

September 20, 2022

WARNING - Verify design parameters and READ NOTES ON THIS AND INCLUDED MITEK REFERENCE PAGE MII-7473 rev. 5/19/2020 BEFORE USE.

Design valid for use only with MiTek® connectors. This design is based only upon parameters shown, and is for an individual building component, not a truss system. Before use, the building designer must verify the applicability of design parameters and properly incorporate this design into the overall building design. Bracing indicated is to prevent buckling of individual truss web and/or chord members only. Additional temporary and permanent bracing is always required for stability and to prevent collapse with possible personal injury and property damage. For general guidance regarding the fabrication, storage, delivery, erection and bracing of trusses and truss systems, see

ANSI/TPI1 Quality Criteria, DSB-89 and BCSI Building Component

Safety Information available from Truss Plate Institute, 2670 Crain Highway, Suite 203 Waldorf, MD 20601



16023 Swingley Ridge Rd
 Chesterfield, MO 63017

Job	Truss	Truss Type	Qty	Ply	LaFlamme	T28825737
LAFLAMME	A09	Hip	1	1		

Mayo Truss Company, Inc., Mayo, FL - 32066,

8.530 s Aug 11 2022 MiTek Industries, Inc. Tue Sep 20 07:35:47 2022 Page 1

ID:LxgNNNKx_AgyVpLF81BKzykv4a-9Dm79gBDU8xe3cXPjeiw9hqXantK_87pemF6vybotQ



Scale = 1:53.2

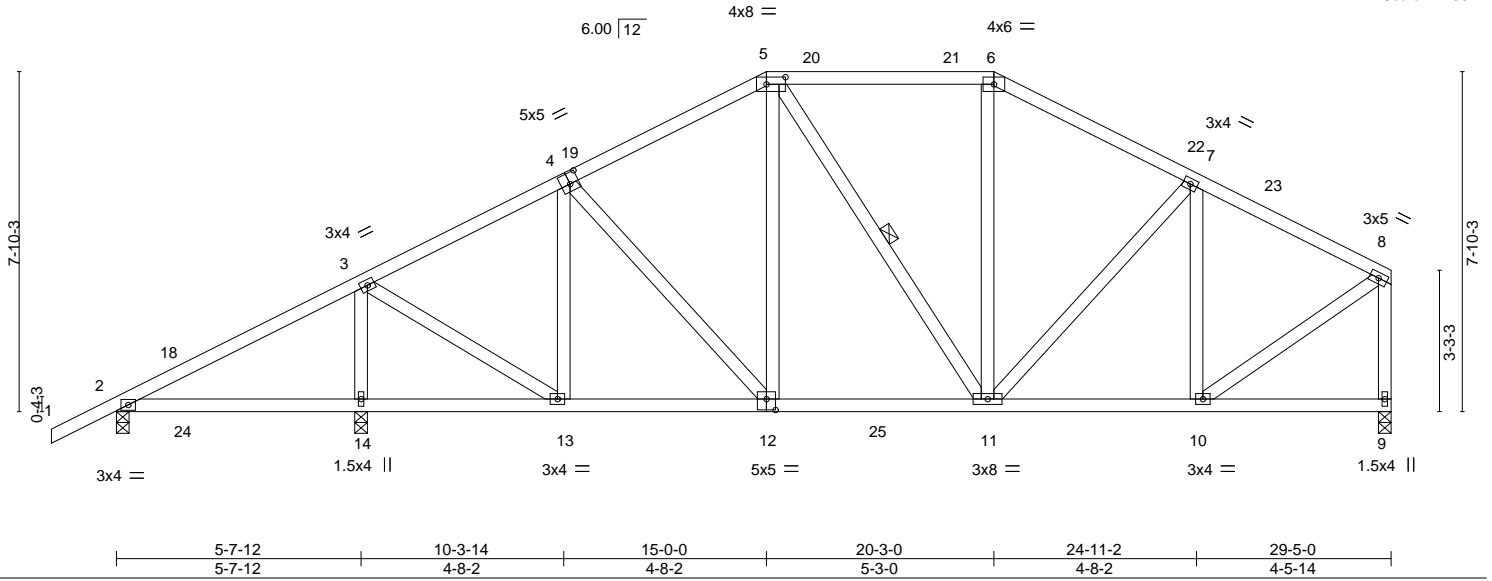


Plate Offsets (X,Y)-- [4:0-2-8,0-3-0], [5:0-5-4,0-2-0], [12:0-2-8,0-3-0]

LOADING (psf)	SPACING-	CSI.	DEFL.	PLATES	GRIP
TCLL 20.0	2-0-0	TC 0.34	in (loc) l/defl L/d	MT20	244/190
TCDL 10.0	Plate Grip DOL 1.25	BC 0.38	Vert(LL) -0.05 11-12 >999 240		
BCLL 0.0 *	Lumber DOL 1.25	WB 0.20	Vert(CT) -0.09 11-12 >999 180		
BCDL 10.0	Rep Stress Incr YES	Matrix-AS	Horz(CT) 0.02 9 n/a n/a		
	Code FBC2020/TPI2014			Weight: 187 lb	FT = 20%

LUMBER-

TOP CHORD 2x4 SP No.2
 BOT CHORD 2x4 SP No.2
 WEBS 2x4 SP No.2

BRACING-

TOP CHORD Structural wood sheathing directly applied, except end verticals.
 BOT CHORD Rigid ceiling directly applied.
 WEBS 1 Row at midpt 5-11

REACTIONS.

(size) 2=0-3-8, 14=0-3-8, 9=0-3-8
 Max Horz 2=179(LC 11)
 Max Uplift 2=-89(LC 12), 14=-44(LC 12)
 Max Grav 2=252(LC 21), 14=1418(LC 17), 9=1027(LC 18)

FORCES. (lb) - Max. Comp./Max. Ten. - All forces 250 (lb) or less except when shown.

TOP CHORD 3-4=-837/76, 4-5=-885/124, 5-6=-789/131, 6-7=-927/122, 7-8=-871/86, 8-9=-955/64
 BOT CHORD 12-13=-39/733, 11-12=-37/794, 10-11=-47/727
 WEBS 3-14=-1245/113, 3-13=0/935, 4-13=-332/75, 7-10=-352/74, 8-10=-27/840

NOTES-

- Unbalanced roof live loads have been considered for this design.
- Wind: ASCE 7-16; Vult=130mph (3-second gust) Vasd=101mph; TCCL=6.0psf; BCDL=6.0psf; h=15ft; B=45ft; L=29ft; eave=4ft; Cat. II; Exp B; Encl., GCpi=0.18; MWFRS (directional) and C-C Exterior(2E) -1-6-0 to 1-6-0, Interior(1) 1-6-0 to 15-0-0, Exterior(2R) 15-0-0 to 19-2-15, Interior(1) 19-2-15 to 20-3-0, Exterior(2R) 20-3-0 to 24-5-15, Interior(1) 24-5-15 to 29-3-4 zone; cantilever left and right exposed; end vertical left and right exposed; porch left exposed; C-C for members and forces & MWFRS for reactions shown; Lumber DOL=1.60 plate grip DOL=1.60
- Building Designer / Project engineer responsible for verifying applied roof live load shown covers rain loading requirements specific to the use of this truss component.
- Provide adequate drainage to prevent water ponding.
- This truss has been designed for a 10.0 psf bottom chord live load nonconcurrent with any other live loads.
- * This truss has been designed for a live load of 20.0psf on the bottom chord in all areas where a rectangle 3-6-0 tall by 2-0-0 wide will fit between the bottom chord and any other members, with BCDL = 10.0psf.
- Provide mechanical connection (by others) of truss to bearing plate capable of withstanding 100 lb uplift at joint(s) 2, 14.
- This truss design requires that a minimum of 7/16" structural wood sheathing be applied directly to the top chord and 1/2" gypsum sheetrock be applied directly to the bottom chord.



Julius Lee PE No. 34869
 MiTek Inc. DBA MiTek USA FL Cert 6634
 16023 Swingley Ridge Rd. Chesterfield, MO 63017
 Date:

September 20, 2022

WARNING - Verify design parameters and READ NOTES ON THIS AND INCLUDED MITEK REFERENCE PAGE MII-7473 rev. 5/19/2020 BEFORE USE.

Design valid for use only with MiTek® connectors. This design is based only upon parameters shown, and is for an individual building component, not a truss system. Before use, the building designer must verify the applicability of design parameters and properly incorporate this design into the overall building design. Bracing indicated is to prevent buckling of individual truss web and/or chord members only. Additional temporary and permanent bracing is always required for stability and to prevent collapse with possible personal injury and property damage. For general guidance regarding the fabrication, storage, delivery, erection and bracing of trusses and truss systems, see

ANSI/TPI1 Quality Criteria, DSB-89 and BCSI Building Component

Safety Information available from Truss Plate Institute, 2670 Crain Highway, Suite 203 Waldorf, MD 20601



16023 Swingley Ridge Rd
 Chesterfield, MO 63017

Job	Truss	Truss Type	Qty	Ply	LaFlamme	T28825738
LAFLAMME	A10	Hip	1	1		

Mayo Truss Company, Inc., Mayo, FL - 32066,

8.530 s Aug 11 2022 MiTek Industries, Inc. Tue Sep 20 07:35:48 2022 Page 1

ID:LxgNNNKx_AgyVpLF81BKzykv4a-dPJWMOCrFS4Vgm6bGLD9hvMCGBBtjbPytQ?QeMybotP



Scale = 1:52.3

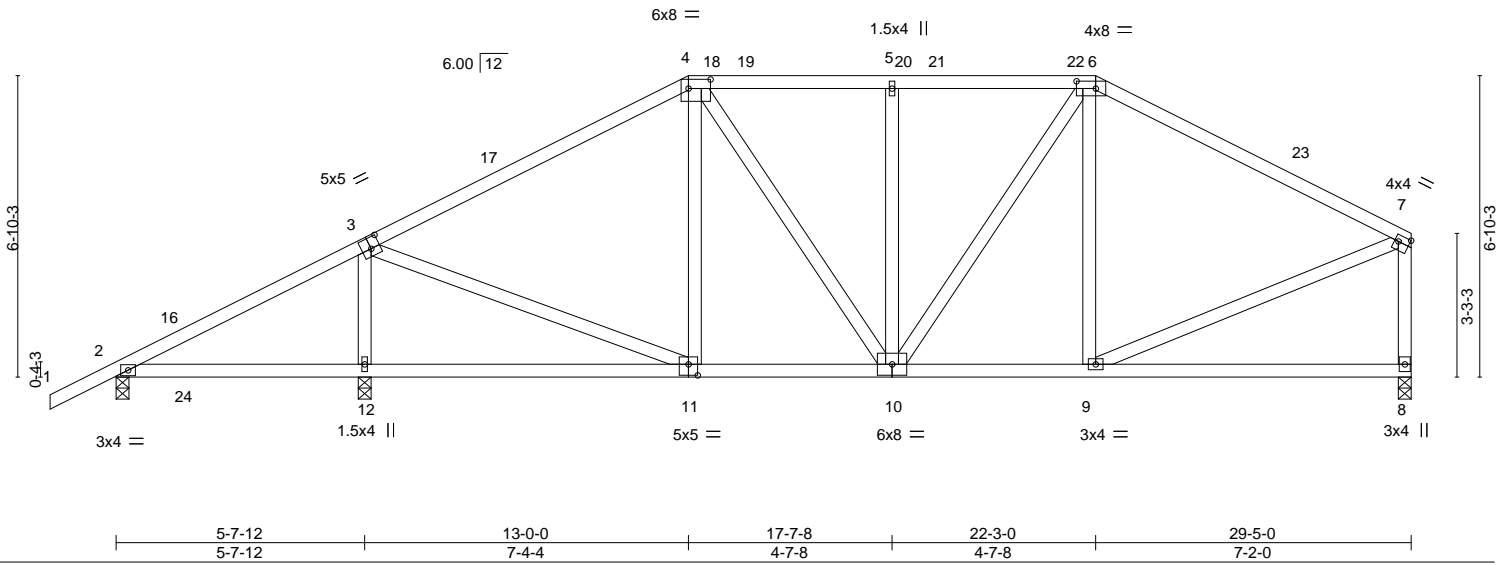


Plate Offsets (X,Y)-- [3:0-2-8,0-3-0], [4:0-6-0,0-2-8], [6:0-5-4,0-2-0], [7:Edge,0-1-12], [11:0-2-8,0-3-0]

LOADING (psf)	SPACING-	CSI.	DEFL.	in (loc)	l/defl	L/d	PLATES	GRIP
TCLL 20.0	Plate Grip DOL 1.25	TC 0.77	Vert(LL) -0.10	11-12	>999	240	MT20	244/190
TCDL 10.0	Lumber DOL 1.25	BC 0.49	Vert(CT) -0.19	11-12	>999	180		
BCLL 0.0 *	Rep Stress Incr YES	WB 0.20	Horz(CT) 0.01	8	n/a	n/a		
BCDL 10.0	Code FBC2020/TPI2014	Matrix-AS					Weight: 175 lb	FT = 20%

LUMBER-

TOP CHORD 2x4 SP No.2
 BOT CHORD 2x4 SP No.2
 WEBS 2x4 SP No.2

BRACING-

TOP CHORD Structural wood sheathing directly applied, except end verticals.
 BOT CHORD Rigid ceiling directly applied.

REACTIONS.

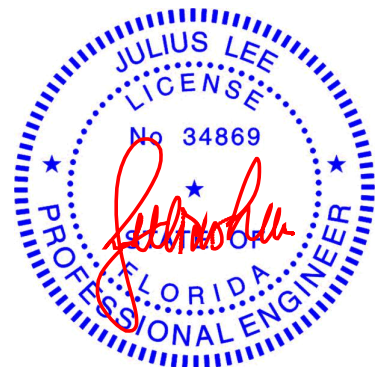
(size) 2=0-3-8, 12=0-3-8, 8=0-3-8
 Max Horz 2=161(LC 11)
 Max Uplift 2=-106(LC 12), 12=-23(LC 12), 8=-4(LC 12)
 Max Grav 2=304(LC 21), 12=1194(LC 1), 8=938(LC 1)

FORCES. (lb) - Max. Comp./Max. Ten. - All forces 250 (lb) or less except when shown.

TOP CHORD 3-4=-899/116, 4-5=-849/130, 5-6=-849/130, 6-7=-927/100, 7-8=-867/85
 BOT CHORD 10-11=-62/744, 9-10=-42/741
 WEBS 3-12=-1001/128, 3-11=0/783, 4-10=0/279, 5-10=-264/52, 6-10=-30/266, 7-9=-15/730

NOTES-

- Unbalanced roof live loads have been considered for this design.
- Wind: ASCE 7-16; Vult=130mph (3-second gust) Vasd=101mph; TC DL=6.0psf; BC DL=6.0psf; h=15ft; B=45ft; L=29ft; eave=4ft; Cat. II; Exp B; Encl., GCpi=0.18; MWFRS (directional) and C-C Exterior(2E) -1-6-0 to 1-6-0, Interior(1) 1-6-0 to 13-0-0, Exterior(2R) 13-0-0 to 17-2-15, Interior(1) 17-2-15 to 22-3-0, Exterior(2R) 22-3-0 to 26-5-15, Interior(1) 26-5-15 to 29-3-4 zone; cantilever left and right exposed; end vertical left and right exposed; porch left exposed; C-C for members and forces & MWFRS for reactions shown; Lumber DOL=1.60 plate grip DOL=1.60
- Building Designer / Project engineer responsible for verifying applied roof live load shown covers rain loading requirements specific to the use of this truss component.
- Provide adequate drainage to prevent water ponding.
- This truss has been designed for a 10.0 psf bottom chord live load nonconcurrent with any other live loads.
- * This truss has been designed for a live load of 20.0psf on the bottom chord in all areas where a rectangle 3-6-0 tall by 2-0-0 wide will fit between the bottom chord and any other members.
- Provide mechanical connection (by others) of truss to bearing plate capable of withstanding 100 lb uplift at joint(s) 12, 8 except (jt=lb) 2=106.
- This truss design requires that a minimum of 7/16" structural wood sheathing be applied directly to the top chord and 1/2" gypsum sheetrock be applied directly to the bottom chord.



Julius Lee PE No. 34869
 MiTek Inc. DBA MiTek USA FL Cert 6634
 16023 Swingley Ridge Rd. Chesterfield, MO 63017
 Date:

September 20, 2022

WARNING - Verify design parameters and READ NOTES ON THIS AND INCLUDED MITEK REFERENCE PAGE MII-7473 rev. 5/19/2020 BEFORE USE.

Design valid for use only with MiTek® connectors. This design is based only upon parameters shown, and is for an individual building component, not a truss system. Before use, the building designer must verify the applicability of design parameters and properly incorporate this design into the overall building design. Bracing indicated is to prevent buckling of individual truss web and/or chord members only. Additional temporary and permanent bracing is always required for stability and to prevent collapse with possible personal injury and property damage. For general guidance regarding the fabrication, storage, delivery, erection and bracing of trusses and truss systems, see

ANSI/TPI1 Quality Criteria, DSB-89 and BCSI Building Component

Safety Information available from Truss Plate Institute, 2670 Crain Highway, Suite 203 Waldorf, MD 20601



16023 Swingley Ridge Rd
 Chesterfield, MO 63017

Job	Truss	Truss Type	Qty	Ply	LaFlamme	T28825739
LAFHAMME	A11	Hip	1	1		

Mayo Truss Company, Inc., Mayo, FL - 32066,

8.530 s Aug 11 2022 MiTek Industries, Inc. Tue Sep 20 07:35:49 2022 Page 1

ID:LxgNNNKx_AgyVpLF81BKzyk4a-5ctuaMDU0mCLlwhnq3kOE6vsZbU8S?K554k_BoybotO



Scale = 1:61.7

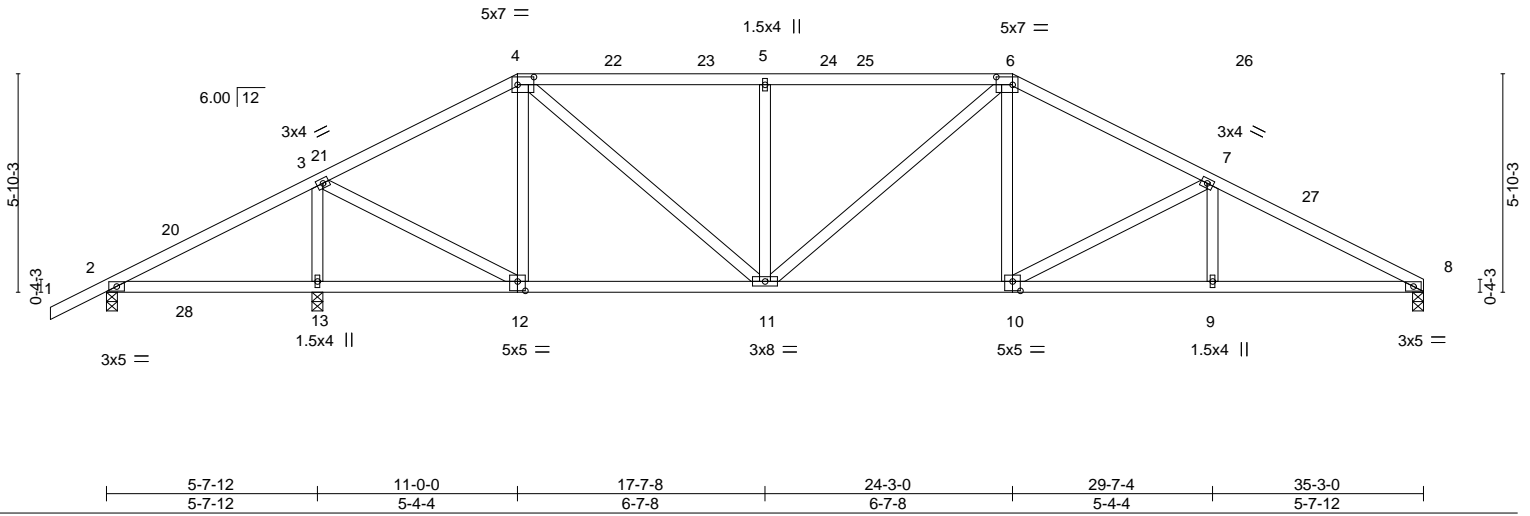


Plate Offsets (X,Y)-- [4:0-5-4,0-2-8], [6:0-5-4,0-2-8], [10:0-2-8,0-3-0], [12:0-2-8,0-3-0]

LOADING (psf)	SPACING-	CSI.	DEFL.	PLATES	GRIP
TCLL 20.0	Plate Grip DOL 1.25	TC 0.44	in (loc) l/defl L/d	MT20	244/190
TCDL 10.0	Lumber DOL 1.25	BC 0.61	Vert(LL) -0.09 10-11 >999 240		
BCLL 0.0 *	Rep Stress Incr YES	WB 0.35	Vert(CT) -0.21 10-11 >999 180		
BCDL 10.0	Code FBC2020/TP12014	Matrix-AS	Horz(CT) 0.04 8 n/a n/a		
				Weight: 184 lb	FT = 20%

LUMBER-
TOP CHORD 2x4 SP No.2
BOT CHORD 2x4 SP No.2
WEBS 2x4 SP No.2

BRACING-
TOP CHORD Structural wood sheathing directly applied.
BOT CHORD Rigid ceiling directly applied.

REACTIONS. (size) 8=0-3-8, 2=0-3-8, 13=0-3-8
Max Horz 2=108(LC 11)
Max Uplift 2=-139(LC 22), 13=-38(LC 12)
Max Grav 8=1126(LC 1), 2=77(LC 21), 13=1758(LC 1)

FORCES. (lb) - Max. Comp./Max. Ten. - All forces 250 (lb) or less except when shown.
TOP CHORD 2-3=0/636, 3-4=866/101, 4-5=-1402/122, 5-6=-1402/122, 6-7=-1620/121, 7-8=-2111/96
BOT CHORD 2-13=-508/21, 12-13=-508/21, 11-12=0/703, 10-11=0/1381, 9-10=-38/1849,
8-9=-38/1849
WEBS 3-13=-1602/126, 3-12=0/1358, 4-12=-555/56, 4-11=-19/945, 5-11=-446/103, 6-10=0/380,
7-10=-531/62, 7-9=0/253

NOTES-

- Unbalanced roof live loads have been considered for this design.
- Wind: ASCE 7-16; Vult=130mph (3-second gust) Vasd=101mph; TCCL=6.0psf; BCDL=6.0psf; h=15ft; B=45ft; L=35ft; eave=5ft; Cat. II; Exp B; Encl. GCpi=0.18; MWFRS (directional) and C-C Exterior(2E) 1-6-0 to 2-0-5, Interior(1) 2-0-5 to 11-0-0, Exterior(2R) 11-0-0 to 15-11-13, Interior(1) 15-11-13 to 24-3-0, Exterior(2R) 24-3-0 to 29-2-13, Interior(1) 29-2-13 to 35-3-0 zone; cantilever left and right exposed; end vertical left and right exposed; porch left exposed; C-C for members and forces & MWFRS for reactions shown; Lumber DOL=1.60 plate grip DOL=1.60
- Building Designer / Project engineer responsible for verifying applied roof live load shown covers rain loading requirements specific to the use of this truss component.
- Provide adequate drainage to prevent water ponding.
- This truss has been designed for a 10.0 psf bottom chord live load nonconcurrent with any other live loads.
- * This truss has been designed for a live load of 20.0psf on the bottom chord in all areas where a rectangle 3-6-0 tall by 2-0-0 wide will fit between the bottom chord and any other members.
- Provide mechanical connection (by others) of truss to bearing plate capable of withstanding 100 lb uplift at joint(s) 13 except (jt=lb) 2=139.
- This truss design requires that a minimum of 7/16" structural wood sheathing be applied directly to the top chord and 1/2" gypsum sheetrock be applied directly to the bottom chord.



Julius Lee PE No. 34869
MiTek Inc. DBA MiTek USA FL Cert 6634
16023 Swingley Ridge Rd. Chesterfield, MO 63017
Date:

September 20, 2022

WARNING - Verify design parameters and READ NOTES ON THIS AND INCLUDED MITEK REFERENCE PAGE MII-7473 rev. 5/19/2020 BEFORE USE.

Design valid for use only with MiTek® connectors. This design is based only upon parameters shown, and is for an individual building component, not a truss system. Before use, the building designer must verify the applicability of design parameters and properly incorporate this design into the overall building design. Bracing indicated is to prevent buckling of individual truss web and/or chord members only. Additional temporary and permanent bracing is always required for stability and to prevent collapse with possible personal injury and property damage. For general guidance regarding the fabrication, storage, delivery, erection and bracing of trusses and truss systems, see

ANSI/TP1 Quality Criteria, DSB-89 and BCSI Building Component

Safety Information available from Truss Plate Institute, 2670 Crain Highway, Suite 203 Waldorf, MD 20601



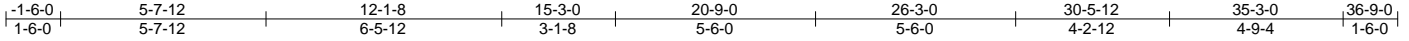
16023 Swingley Ridge Rd
Chesterfield, MO 63017

Job	Truss	Truss Type	Qty	Ply	LaFlamme	T28825740
LAFLAMME	A12	Roof Special	1	1		

Mayo Truss Company, Inc., Mayo, FL - 32066,

8.530 s Aug 11 2022 MiTek Industries, Inc. Tue Sep 20 07:35:51 2022 Page 1

ID:LxgNNNKx_AgyVpLF81BKzykv4a-1_?e_2EkXNS3XDrAyUmsJX_A?OBewryOZOD4FhybotM



Scale = 1:63.3

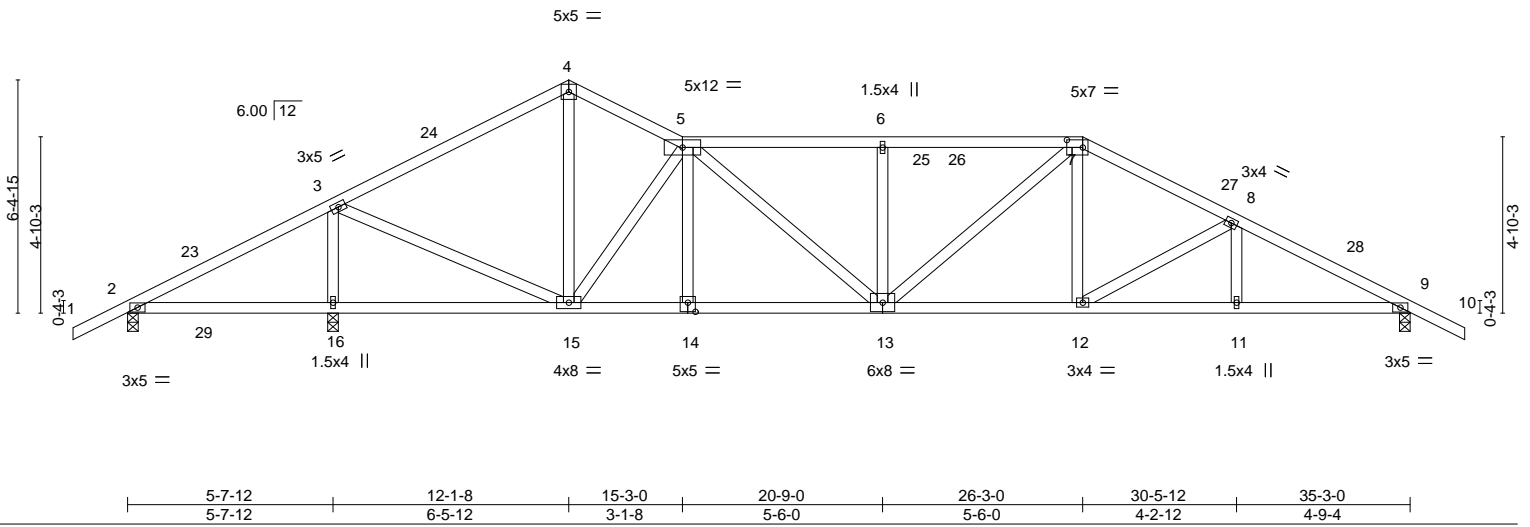


Plate Offsets (X,Y)-- [7:0-5-4,0-2-8], [14:0-2-8,0-3-0]

LOADING (psf)	SPACING-	CSI.	DEFL.	in (loc)	l/defl	L/d	PLATES	GRIP
TCLL 20.0	Plate Grip DOL 1.25	TC 0.57	Vert(LL) -0.09	13	>999	240	MT20	244/190
TCDL 10.0	Lumber DOL 1.25	BC 0.55	Vert(CT) -0.22	13-14	>999	180		
BCLL 0.0 *	Rep Stress Incr YES	WB 0.60	Horz(CT) 0.04	9	n/a	n/a		
BCDL 10.0	Code FBC2020/TP12014	Matrix-AS					Weight: 194 lb	FT = 20%

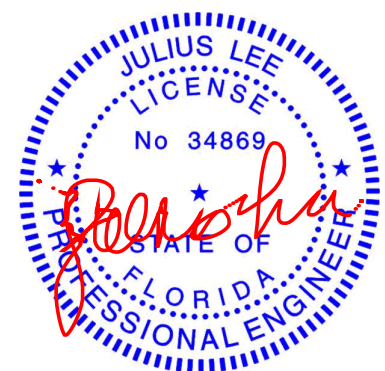
LUMBER-
 TOP CHORD 2x4 SP No.2
 BOT CHORD 2x4 SP No.2
 WEBS 2x4 SP No.2

BRACING-
 TOP CHORD Structural wood sheathing directly applied.
 BOT CHORD Rigid ceiling directly applied.

REACTIONS. (size) 2=0-3-8, 16=0-3-8, 9=0-3-8
 Max Horz 2=122(LC 11)
 Max Uplift 2=-233(LC 22), 16=-31(LC 12), 9=-39(LC 12)
 Max Grav 2=95(LC 21), 16=1880(LC 1), 9=1199(LC 1)

FORCES. (lb) - Max. Comp./Max. Ten. - All forces 250 (lb) or less except when shown.
 TOP CHORD 2-3=0/846, 3-4=-889/97, 4-5=-825/117, 5-6=-1708/146, 6-7=-1708/146, 7-8=-1722/121, 8-9=-2081/101
 BOT CHORD 2-16=-681/46, 15-16=-681/46, 14-15=0/1353, 13-14=0/1356, 12-13=0/1497, 11-12=-34/1813, 9-11=-34/1813
 WEBS 3-16=-1722/135, 3-15=0/1514, 4-15=-6/469, 5-15=-1141/92, 5-13=-24/489, 6-13=-369/92, 7-13=-30/274, 7-12=0/366, 8-12=-375/63


- NOTES-**
- Unbalanced roof live loads have been considered for this design.
 - Wind: ASCE 7-16; Vult=130mph (3-second gust) Vasd=101mph; TCCL=6.0psf; BCDL=6.0psf; h=15ft; B=45ft; L=35ft; eave=5ft; Cat. II; Exp B; Encl., GCp=0.18; MWFRS (directional) and C-C Exterior(2E) -1-6-0 to 2-0-5, Interior(1) 2-0-5 to 12-1-8, Exterior(2E) 12-1-8 to 15-3-0, Interior(1) 15-3-0 to 26-3-0, Exterior(2R) 26-3-0 to 29-9-5, Interior(1) 29-9-5 to 36-9-0 zone; cantilever left and right exposed; end vertical left and right exposed; porch left exposed; C-C for members and forces & MWFRS for reactions shown; Lumber DOL=1.60 plate grip DOL=1.60
 - Building Designer / Project engineer responsible for verifying applied roof live load shown covers rain loading requirements specific to the use of this truss component.
 - Provide adequate drainage to prevent water ponding.
 - This truss has been designed for a 10.0 psf bottom chord live load nonconcurrent with any other live loads.
 - * This truss has been designed for a live load of 20.0psf on the bottom chord in all areas where a rectangle 3-6-0 tall by 2-0-0 wide will fit between the bottom chord and any other members.
 - Provide mechanical connection (by others) of truss to bearing plate capable of withstanding 100 lb uplift at joint(s) 16, 9 except (jt=lb) 2=233.
 - This truss design requires that a minimum of 7/16" structural wood sheathing be applied directly to the top chord and 1/2" gypsum sheetrock be applied directly to the bottom chord.



Julius Lee PE No. 34869
 MiTek Inc. DBA MiTek USA FL Cert 6634
 16023 Swingley Ridge Rd. Chesterfield, MO 63017
 Date:

September 20,2022

WARNING - Verify design parameters and READ NOTES ON THIS AND INCLUDED MITEK REFERENCE PAGE MII-7473 rev. 5/19/2020 BEFORE USE.
 Design valid for use only with MiTek® connectors. This design is based only upon parameters shown, and is for an individual building component, not a truss system. Before use, the building designer must verify the applicability of design parameters and properly incorporate this design into the overall building design. Bracing indicated is to prevent buckling of individual truss web and/or chord members only. Additional temporary and permanent bracing is always required for stability and to prevent collapse with possible personal injury and property damage. For general guidance regarding the fabrication, storage, delivery, erection and bracing of trusses and truss systems, see **ANSI/TP1 Quality Criteria, DSB-89 and BCSI Building Component Safety Information** available from Truss Plate Institute, 2670 Crain Highway, Suite 203 Waldorf, MD 20601



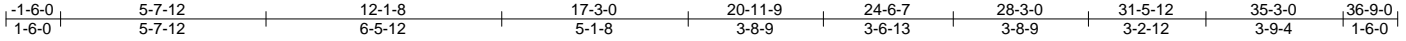
16023 Swingley Ridge Rd
 Chesterfield, MO 63017

Job	Truss	Truss Type	Qty	Ply	LaFlamme	T28825741
LAFHAMME	A13GIR	Roof Special Girder	1	2		

Mayo Truss Company, Inc., Mayo, FL - 32066,

8.530 s Aug 11 2022 MiTek Industries, Inc. Tue Sep 20 07:36:00 2022 Page 1

ID:LxgNNNKx_AgyVpLF81BKzykv4a-Gj22t7LNQ8ao6c1uztRzARsiC0HUxyBjdlv34fybotD



Scale = 1:63.3

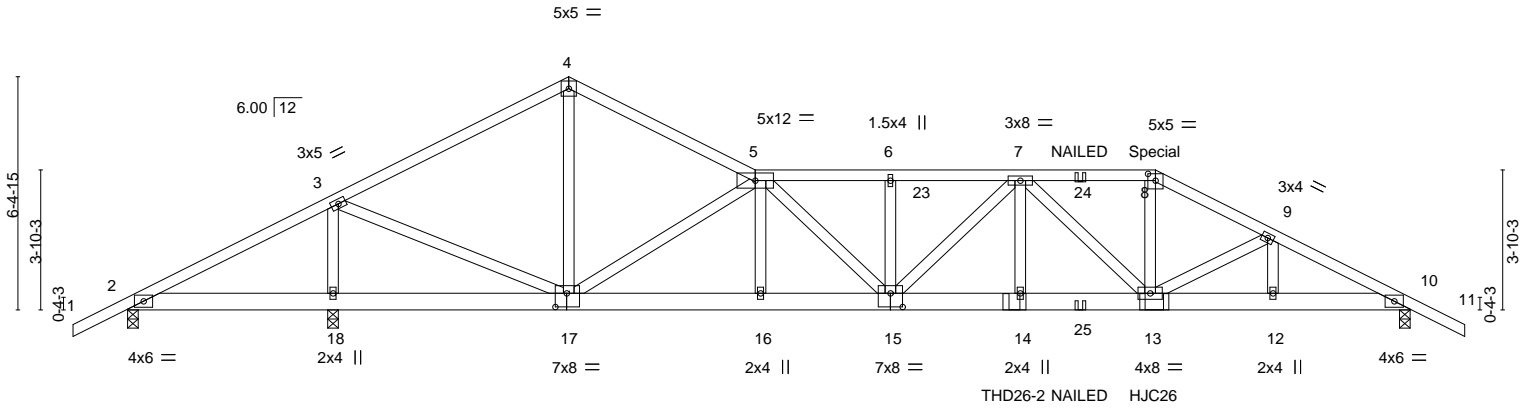


Plate Offsets (X,Y)--	[8:0-2-8,0-2-4], [15:0-4-0,0-4-8], [17:0-3-12,0-4-8]
-----------------------	--

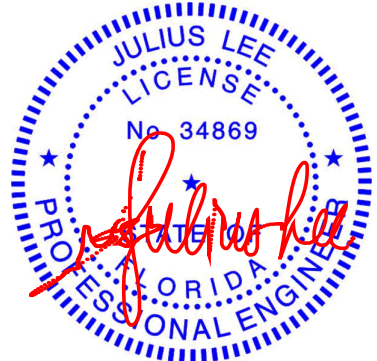
LOADING (psf)	SPACING-	CSI.	DEFL.	PLATES	GRIP
TCLL 20.0	Plate Grip DOL 1.25	TC 0.54	in (loc) l/defl L/d	MT20	244/190
TCDL 10.0	Lumber DOL 1.25	BC 0.50	Vert(LL) -0.12 14-15 >999 240		
BCLL 0.0 *	Rep Stress Incr NO	WB 0.47	Vert(CT) -0.24 14-15 >999 180		
BCDL 10.0	Code FBC2020/TP12014	Matrix-MS	Horz(CT) 0.04 10 n/a n/a		
				Weight: 442 lb	FT = 20%

LUMBER-	BRACING-
TOP CHORD 2x4 SP No.2	TOP CHORD Structural wood sheathing directly applied or 5-7-3 oc purlins.
BOT CHORD 2x6 SP No.2	BOT CHORD Rigid ceiling directly applied or 10-0-0 oc bracing, Except:
WEBS 2x4 SP No.2	6-0-0 oc bracing: 2-18,17-18.

REACTIONS. (size) 2=0-3-8, 18=0-3-8, 10=0-3-8
 Max Horz 2=123(LC 7)
 Max Uplift 2=-936(LC 18)
 Max Grav 18=3398(LC 1), 10=2455(LC 1)

FORCES. (lb) - Max. Comp./Max. Ten. - All forces 250 (lb) or less except when shown.
 TOP CHORD 2-3=0/2424, 3-4=-1101/0, 4-5=-1062/0, 5-6=-4595/0, 6-7=-4595/0, 7-8=-4279/0, 8-9=-4741/0, 9-10=-4928/0
 BOT CHORD 2-18=-2096/0, 17-18=-2096/0, 16-17=0/3533, 15-16=0/3537, 14-15=0/5289, 13-14=0/5289, 12-13=0/4381, 10-12=0/4381
 WEBS 3-18=-3189/0, 3-17=0/3263, 4-17=0/591, 5-17=-3178/0, 5-15=0/1475, 7-15=-1068/0, 7-14=0/1359, 7-13=-1408/0, 8-13=0/1664, 9-13=-267/0

- NOTES-**
- 2-ply truss to be connected together with 10d (0.131"x3") nails as follows:
 Top chords connected as follows: 2x4 - 1 row at 0-9-0 oc.
 Bottom chords connected as follows: 2x6 - 2 rows staggered at 0-9-0 oc.
 Webs connected as follows: 2x4 - 1 row at 0-9-0 oc.
 - All loads are considered equally applied to all plies, except if noted as front (F) or back (B) face in the LOAD CASE(S) section. Ply to ply connections have been provided to distribute only loads noted as (F) or (B), unless otherwise indicated.
 - Unbalanced roof live loads have been considered for this design.
 - Wind: ASCE 7-16; Vult=130mph (3-second gust) Vasd=101mph; TCDL=6.0psf; BCDL=6.0psf; h=15ft; B=45ft; L=35ft; eave=5ft; Cat. II; Exp B; Encl., GCp=0.18; MWFRS (directional); cantilever left and right exposed; end vertical left and right exposed; porch left exposed; Lumber DOL=1.60 plate grip DOL=1.60
 - Building Designer / Project engineer responsible for verifying applied roof live load shown covers rain loading requirements specific to the use of this truss component.
 - Provide adequate drainage to prevent water ponding.
 - This truss has been designed for a 10.0 psf bottom chord live load nonconcurrent with any other live loads.
 - * This truss has been designed for a live load of 20.0psf on the bottom chord in all areas where a rectangle 3-6-0 tall by 2-0-0 wide will fit between the bottom chord and any other members.
 - Provide mechanical connection (by others) of truss to bearing plate capable of withstanding 100 lb uplift at joint(s) except (jt=lb) 2=936.
 - Use MiTek THD26-2 (With 18-16d nails into Girder & 12-10d nails into Truss) or equivalent at 24-4-8 from the left end to connect truss(es) to back face of bottom chord.
 - Use MiTek HJC26 (With 16-16d nails into Girder & 10d nails into Truss) or equivalent at 28-2-10 from the left end to connect truss(es) to back face of bottom chord.



Julius Lee PE No. 34869
 MiTek Inc. DBA MiTek USA FL Cert 6634
 16023 Swingley Ridge Rd. Chesterfield, MO 63017
 Date:

September 20,2022

Continued on page 2 where hanger is in contact with lumber.

WARNING - Verify design parameters and READ NOTES ON THIS AND INCLUDED MITEK REFERENCE PAGE MII-7473 rev. 5/19/2020 BEFORE USE.
 Design valid for use only with MiTek® connectors. This design is based only upon parameters shown, and is for an individual building component, not a truss system. Before use, the building designer must verify the applicability of design parameters and properly incorporate this design into the overall building design. Bracing indicated is to prevent buckling of individual truss web and/or chord members only. Additional temporary and permanent bracing is always required for stability and to prevent collapse with possible personal injury and property damage. For general guidance regarding the fabrication, storage, delivery, erection and bracing of trusses and truss systems, see **ANSI/TPI1 Quality Criteria, DSB-89 and BCSI Building Component Safety Information** available from Truss Plate Institute, 2670 Crain Highway, Suite 203 Waldorf, MD 20601

16023 Swingley Ridge Rd
 Chesterfield, MO 63017

Job	Truss	Truss Type	Qty	Ply	LaFlamme	T28825741
LAFLAMME	A13GIR	Roof Special Girder	1	2	Job Reference (optional)	

Mayo Truss Company, Inc., Mayo, FL - 32066,

8.530 s Aug 11 2022 MiTek Industries, Inc. Tue Sep 20 07:36:00 2022 Page 2
ID:LxgNNNKx_AgyVpLF81BKzykv4a-Gj22t7LNQ8ao6c1uztRzARsiC0HUXyBjdlv34fybotD

NOTES-

- 13) "NAILED" indicates 3-10d (0.148"x3") or 3-12d (0.148"x3.25") toe-nails per NDS guidelines.
14) Hanger(s) or other connection device(s) shall be provided sufficient to support concentrated load(s) 281 lb down and 138 lb up at 28-3-0 on top chord. The design/selection of such connection device(s) is the responsibility of others.

LOAD CASE(S) Standard

- 1) Dead + Roof Live (balanced): Lumber Increase=1.25, Plate Increase=1.25
Uniform Loads (plf)
Vert: 1-4=-60, 4-5=-60, 5-8=-60, 8-11=-60, 2-10=-20
Concentrated Loads (lb)
Vert: 8=-184(B) 14=-1331(B) 13=-358(B) 24=-125(B) 25=-62(B)

 **WARNING - Verify design parameters and READ NOTES ON THIS AND INCLUDED MITEK REFERENCE PAGE MII-7473 rev. 5/19/2020 BEFORE USE.**

Design valid for use only with MiTek® connectors. This design is based only upon parameters shown, and is for an individual building component, not a truss system. Before use, the building designer must verify the applicability of design parameters and properly incorporate this design into the overall building design. Bracing indicated is to prevent buckling of individual truss web and/or chord members only. Additional temporary and permanent bracing is always required for stability and to prevent collapse with possible personal injury and property damage. For general guidance regarding the fabrication, storage, delivery, erection and bracing of trusses and truss systems, see

ANSI/TPI1 Quality Criteria, DSB-89 and BCSI Building Component

Safety Information available from Truss Plate Institute, 2670 Crain Highway, Suite 203 Waldorf, MD 20601



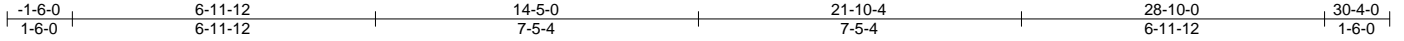
16023 Swingley Ridge Rd
Chesterfield, MO 63017

Job	Truss	Truss Type	Qty	Ply	LaFlamme	T28825742
LAFHAMME	B01GE	GABLE	1	1		

Mayo Truss Company, Inc., Mayo, FL - 32066,

8.530 s Aug 11 2022 MiTek Industries, Inc. Tue Sep 20 07:36:01 2022 Page 1

ID:LxgNNNKx_AgyVpLF81BKzykv4a-kvcQ5TM?BRiekmc5XayCjePt7Qa9GT4ssyecc6ybotC



Scale = 1:53.1

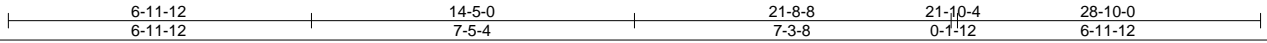
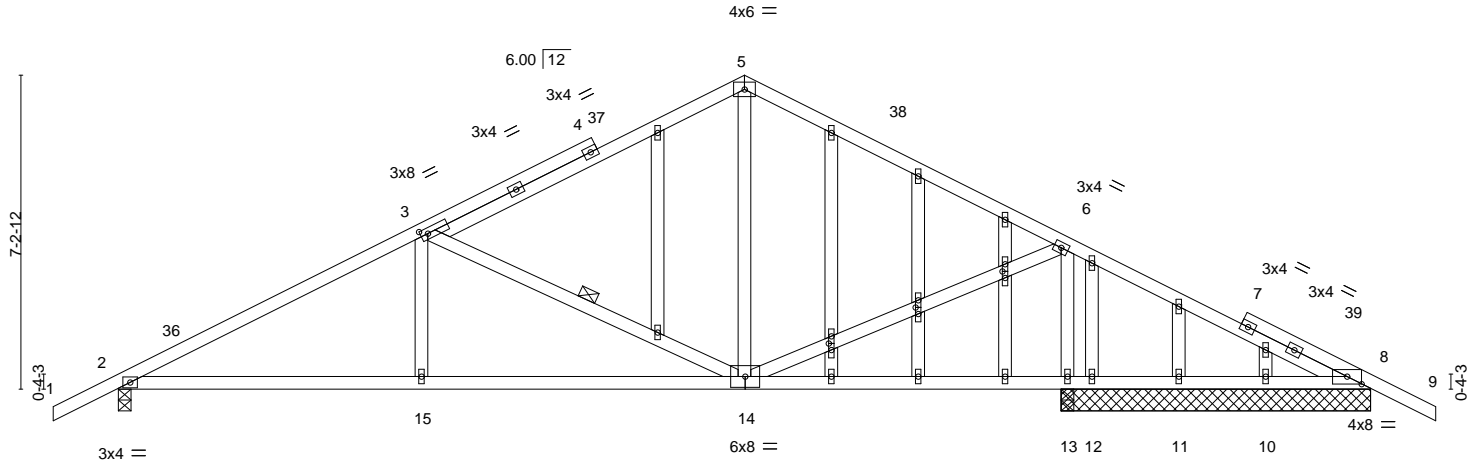


Plate Offsets (X,Y)-- [3:0-2-0,0-1-8], [8:0-4-0,0-2-1], [20:0-1-13,0-0-12], [23:0-1-13,0-0-12], [26:0-1-13,0-0-12]

LOADING (psf)	SPACING-	CSI.	DEFL.	in (loc)	l/defl	L/d	PLATES	GRIP
TCLL 20.0	Plate Grip DOL 1.25	TC 0.53	Vert(LL) -0.11	14-15	>999	240	MT20	244/190
TCDL 10.0	Lumber DOL 1.25	BC 0.66	Vert(CT) -0.24	14-15	>999	180		
BCLL 0.0 *	Rep Stress Incr YES	WB 0.23	Horz(CT) 0.02	13	n/a	n/a		
BCDL 10.0	Code FBC2020/TPI2014	Matrix-AS					Weight: 183 lb	FT = 20%

LUMBER-

TOP CHORD 2x4 SP No.2
 BOT CHORD 2x4 SP No.2
 WEBS 2x4 SP No.2
 OTHERS 2x4 SP No.2

BRACING-

TOP CHORD Structural wood sheathing directly applied.
 BOT CHORD Rigid ceiling directly applied.
 WEBS 1 Row at midpt 3-14

REACTIONS.

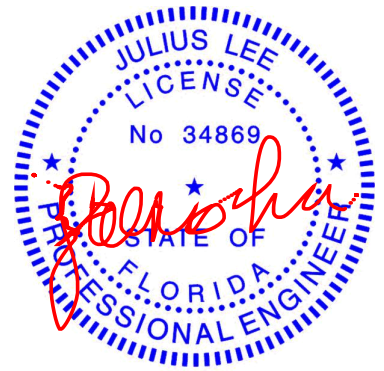
All bearings 7-1-8 except (jt=length) 2=0-3-8.
 (lb) - Max Horz 2=131(LC 11)
 Max Uplift All uplift 100 lb or less at joint(s) 8, 2 except 12=478(LC 3)
 Max Grav All reactions 250 lb or less at joint(s) 8, 11, 10, 8 except 2=910(LC 1), 13=1534(LC 1), 13=1534(LC 1)

FORCES. (lb) - Max. Comp./Max. Ten. - All forces 250 (lb) or less except when shown.

TOP CHORD 2-3=-1381/65, 3-5=-668/111, 5-6=-690/113, 6-8=-18/384
 BOT CHORD 2-15=0/1175, 14-15=0/1175, 13-14=-263/79, 12-13=-263/79, 11-12=-263/79,
 10-11=-263/79, 8-10=-263/79
 WEBS 3-15=0/342, 3-14=-741/65, 6-14=0/856, 6-13=-1169/137

NOTES-

- Unbalanced roof live loads have been considered for this design.
- Wind: ASCE 7-16; Vult=130mph (3-second gust) Vasd=101mph; TCDL=6.0psf; BCDL=6.0psf; h=15ft; B=45ft; L=29ft; eave=4ft; Cat. II; Exp B; Encl., GCpi=0.18; MWFRS (directional) and C-C Exterior(2E) -1-6-0 to 1-6-0, Interior(1) 1-6-0 to 14-5-0, Exterior(2R) 14-5-0 to 17-5-0, Interior(1) 17-5-0 to 30-4-0 zone; cantilever left and right exposed; end vertical left and right exposed; C-C for members and forces & MWFRS for reactions shown; Lumber DOL=1.60 plate grip DOL=1.60
- Truss designed for wind loads in the plane of the truss only. For studs exposed to wind (normal to the face), see Standard Industry Gable End Details as applicable, or consult qualified building designer as per ANSI/TPI 1.
- Building Designer / Project engineer responsible for verifying applied roof live load shown covers rain loading requirements specific to the use of this truss component.
- All plates are 1.5x4 MT20 unless otherwise indicated.
- Gable studs spaced at 2-0-0 oc.
- This truss has been designed for a 10.0 psf bottom chord live load nonconcurrent with any other live loads.
- * This truss has been designed for a live load of 20.0psf on the bottom chord in all areas where a rectangle 3-6-0 tall by 2-0-0 wide will fit between the bottom chord and any other members.
- Provide mechanical connection (by others) of truss to bearing plate capable of withstanding 100 lb uplift at joint(s) 8, 2, 8 except (jt=lb) 12=478.
- This truss design requires that a minimum of 7/16" structural wood sheathing be applied directly to the top chord and 1/2" gypsum sheetrock be applied directly to the bottom chord.



Julius Lee PE No. 34869
 MiTek Inc. DBA MiTek USA FL Cert 6634
 16023 Swingley Ridge Rd. Chesterfield, MO 63017
 Date:

September 20,2022

WARNING - Verify design parameters and READ NOTES ON THIS AND INCLUDED MITEK REFERENCE PAGE MII-7473 rev. 5/19/2020 BEFORE USE.

Design valid for use only with MiTek® connectors. This design is based only upon parameters shown, and is for an individual building component, not a truss system. Before use, the building designer must verify the applicability of design parameters and properly incorporate this design into the overall building design. Bracing indicated is to prevent buckling of individual truss web and/or chord members only. Additional temporary and permanent bracing is always required for stability and to prevent collapse with possible personal injury and property damage. For general guidance regarding the fabrication, storage, delivery, erection and bracing of trusses and truss systems, see

ANSI/TPI1 Quality Criteria, DSB-89 and BCSI Building Component

Safety Information available from Truss Plate Institute, 2670 Crain Highway, Suite 203 Waldorf, MD 20601



16023 Swingley Ridge Rd
 Chesterfield, MO 63017

Job	Truss	Truss Type	Qty	Ply	LaFlamme	T28825743
LAFLAMME	B02	Common	1	1	Job Reference (optional)	

Mayo Truss Company, Inc., Mayo, FL - 32066,

8.530 s Aug 11 2022 MiTek Industries, Inc. Tue Sep 20 07:36:02 2022 Page 1

ID:LxgNNNKx_AgyVpLF81BKzykv4a-C6AoloNdyIqVMwBH5HTRGsx?dqvL?wJ05cOA8YyboIB

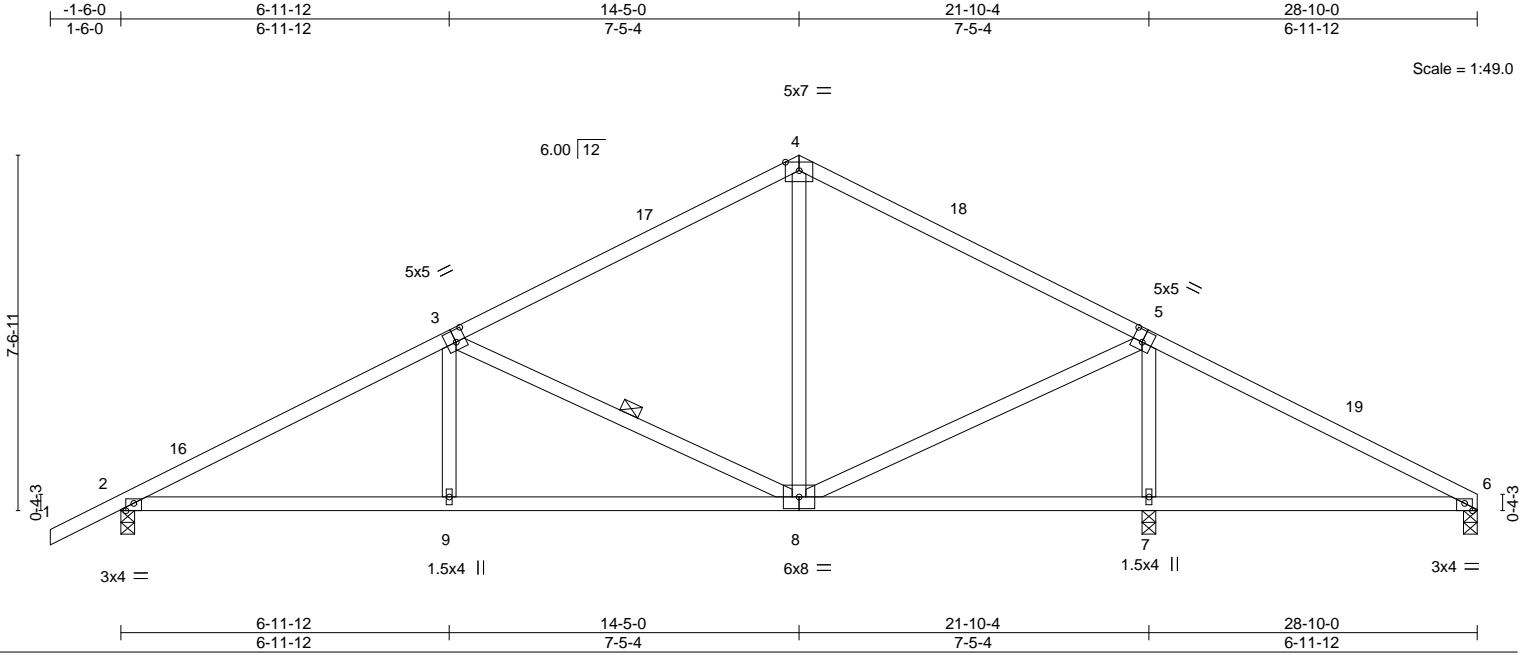


Plate Offsets (X,Y)-- [2:0-2-0,Edge], [3:0-2-8,0-3-0], [5:0-2-8,0-3-0], [6:0-2-0,Edge]

LOADING (psf)	SPACING-	CSI.	DEFL.	PLATES	GRIP
TCLL 20.0	2-0-0	TC 0.73	in (loc) l/defl L/d	MT20	244/190
TCDL 10.0	Plate Grip DOL 1.25	BC 0.67	Vert(LL) -0.11 8-9 >999 240		
BCLL 0.0 *	Lumber DOL 1.25	WB 0.24	Vert(CT) -0.23 8-9 >999 180		
BCDL 10.0	Rep Stress Incr YES	Matrix-AS	Horz(CT) 0.03 7 n/a n/a		
	Code FBC2020/TPI2014			Weight: 137 lb	FT = 20%

LUMBER-

TOP CHORD 2x4 SP No.2
 BOT CHORD 2x4 SP No.2
 WEBS 2x4 SP No.2

BRACING-

TOP CHORD Structural wood sheathing directly applied.
 BOT CHORD Rigid ceiling directly applied.
 WEBS 1 Row at midpt 3-8

REACTIONS.

(size) 2=0-3-8, 7=0-3-8, 6=0-3-8
 Max Horz 2=133(LC 11)
 Max Uplift 2=-46(LC 12), 6=-23(LC 12)
 Max Grav 2=940(LC 1), 7=1264(LC 1), 6=236(LC 22)

FORCES. (lb) - Max. Comp./Max. Ten. - All forces 250 (lb) or less except when shown.

TOP CHORD 2-3=-1378/57, 3-4=-702/131, 4-5=-702/133
 BOT CHORD 2-9=0/1147, 8-9=0/1143
 WEBS 3-9=0/350, 3-8=-649/36, 5-8=0/747, 5-7=-1042/98

NOTES-

- Unbalanced roof live loads have been considered for this design.
- Wind: ASCE 7-16; Vult=130mph (3-second gust) Vasd=101mph; TCDL=6.0psf; BCDL=6.0psf; h=15ft; B=45ft; L=29ft; eave=4ft; Cat. II; Exp B; Encl., GCpi=0.18; MWFRS (directional) and C-C Exterior(2E) -1-6-0 to 1-6-0, Interior(1) 1-6-0 to 14-5-0, Exterior(2R) 14-5-0 to 17-5-0, Interior(1) 17-5-0 to 28-10-0 zone; cantilever left and right exposed; end vertical left and right exposed; C-C for members and forces & MWFRS for reactions shown; Lumber DOL=1.60 plate grip DOL=1.60
- Building Designer / Project engineer responsible for verifying applied roof live load shown covers rain loading requirements specific to the use of this truss component.
- This truss has been designed for a 10.0 psf bottom chord live load nonconcurrent with any other live loads.
- * This truss has been designed for a live load of 20.0psf on the bottom chord in all areas where a rectangle 3-6-0 tall by 2-0-0 wide will fit between the bottom chord and any other members.
- Provide mechanical connection (by others) of truss to bearing plate capable of withstanding 100 lb uplift at joint(s) 2, 6.
- This truss design requires that a minimum of 7/16" structural wood sheathing be applied directly to the top chord and 1/2" gypsum sheetrock be applied directly to the bottom chord.



Julius Lee PE No. 34869
 MiTek Inc. DBA MiTek USA FL Cert 6634
 16023 Swingley Ridge Rd. Chesterfield, MO 63017
 Date:

September 20,2022

WARNING - Verify design parameters and READ NOTES ON THIS AND INCLUDED MITEK REFERENCE PAGE MII-7473 rev. 5/19/2020 BEFORE USE.

Design valid for use only with MiTek® connectors. This design is based only upon parameters shown, and is for an individual building component, not a truss system. Before use, the building designer must verify the applicability of design parameters and properly incorporate this design into the overall building design. Bracing indicated is to prevent buckling of individual truss web and/or chord members only. Additional temporary and permanent bracing is always required for stability and to prevent collapse with possible personal injury and property damage. For general guidance regarding the fabrication, storage, delivery, erection and bracing of trusses and truss systems, see

ANSI/TPI1 Quality Criteria, DSB-89 and BCSI Building Component

Safety Information available from Truss Plate Institute, 2670 Crain Highway, Suite 203 Waldorf, MD 20601



16023 Swingley Ridge Rd
 Chesterfield, MO 63017

Job	Truss	Truss Type	Qty	Ply	LaFlamme	T28825744
LAFHAMME	B03	Common	3	1		

Mayo Truss Company, Inc., Mayo, FL - 32066,

8.530 s Aug 11 2022 MiTek Industries, Inc. Tue Sep 20 07:36:03 2022 Page 1

ID:LxgNNNKx_AgyVpLF81BKzykv4a-hljBW8OGj3yMz3mTf?_go3UANEFakNZ9JF7jg_ybotA

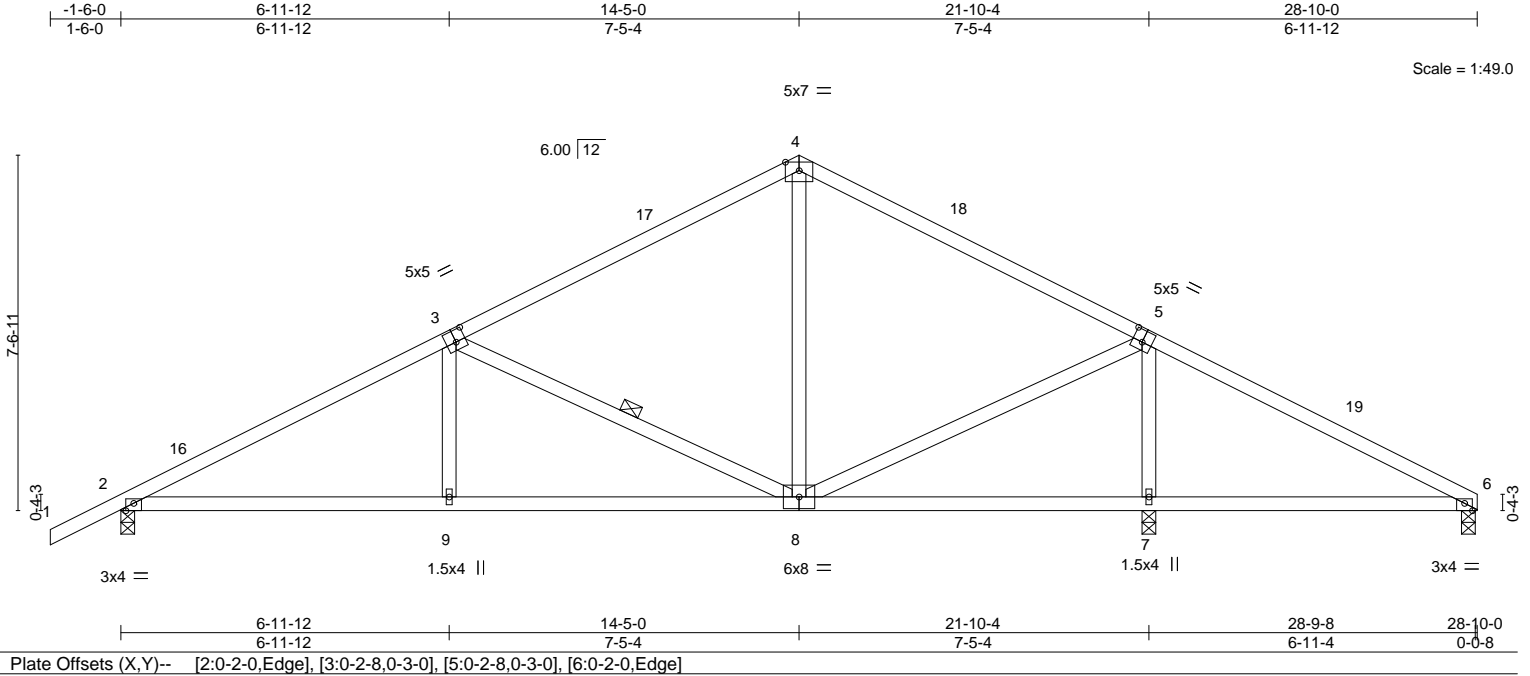


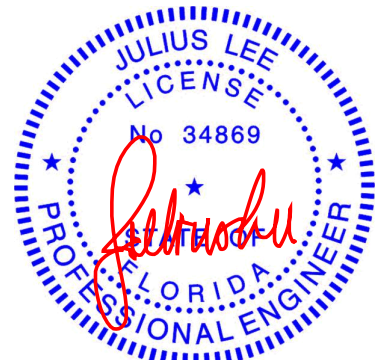
Plate Offsets (X,Y)--	[2:0-2-0,Edge], [3:0-2-8,0-3-0], [5:0-2-8,0-3-0], [6:0-2-0,Edge]				
LOADING (psf)	SPACING-	CSI.	DEFL.	PLATES	GRIP
TCLL 20.0	2-0-0	TC 0.73	in (loc) l/defl L/d	MT20	244/190
TCDL 10.0	Plate Grip DOL 1.25	BC 0.67	Vert(LL) -0.11 8-9 >999 240		
BCLL 0.0 *	Lumber DOL 1.25	WB 0.24	Vert(CT) -0.23 8-9 >999 180		
BCDL 10.0	Rep Stress Incr YES	Matrix-AS	Horz(CT) 0.03 7 n/a n/a		
	Code FBC2020/TPI2014			Weight: 137 lb	FT = 20%

LUMBER-	BRACING-
TOP CHORD 2x4 SP No.2	TOP CHORD Structural wood sheathing directly applied.
BOT CHORD 2x4 SP No.2	BOT CHORD Rigid ceiling directly applied.
WEBS 2x4 SP No.2	WEBS 1 Row at midpt 3-8

REACTIONS. (size) 2=0-3-8, 7=0-3-8, 6=0-3-8
 Max Horz 2=133(LC 11)
 Max Uplift 2=-46(LC 12), 6=-23(LC 12)
 Max Grav 2=940(LC 1), 7=1264(LC 1), 6=236(LC 22)


FORCES. (lb) - Max. Comp./Max. Ten. - All forces 250 (lb) or less except when shown.
 TOP CHORD 2-3=-1378/57, 3-4=-702/131, 4-5=-702/133
 BOT CHORD 2-9=0/1147, 8-9=0/1143
 WEBS 3-9=0/350, 3-8=-649/36, 5-8=0/747, 5-7=-1042/98

- NOTES-**
- Unbalanced roof live loads have been considered for this design.
 - Wind: ASCE 7-16; Vult=130mph (3-second gust) Vasd=101mph; TCCL=6.0psf; BCDL=6.0psf; h=15ft; B=45ft; L=29ft; eave=4ft; Cat. II; Exp B; Encl., GCpi=0.18; MWFRS (directional) and C-C Exterior(2E) -1-6-0 to 1-6-0, Interior(1) 1-6-0 to 14-5-0, Exterior(2R) 14-5-0 to 17-5-0, Interior(1) 17-5-0 to 28-10-0 zone; cantilever left and right exposed; end vertical left and right exposed; C-C for members and forces & MWFRS for reactions shown; Lumber DOL=1.60 plate grip DOL=1.60
 - Building Designer / Project engineer responsible for verifying applied roof live load shown covers rain loading requirements specific to the use of this truss component.
 - This truss has been designed for a 10.0 psf bottom chord live load nonconcurrent with any other live loads.
 - * This truss has been designed for a live load of 20.0psf on the bottom chord in all areas where a rectangle 3-6-0 tall by 2-0-0 wide will fit between the bottom chord and any other members.
 - Provide mechanical connection (by others) of truss to bearing plate capable of withstanding 100 lb uplift at joint(s) 2, 6.
 - This truss design requires that a minimum of 7/16" structural wood sheathing be applied directly to the top chord and 1/2" gypsum sheetrock be applied directly to the bottom chord.



Julius Lee PE No. 34869
 MiTek Inc. DBA MiTek USA FL Cert 6634
 16023 Swingley Ridge Rd. Chesterfield, MO 63017
 Date:

September 20,2022

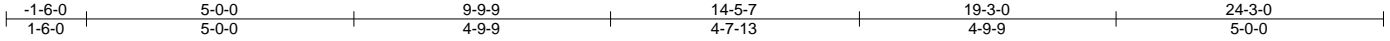
<p>WARNING - Verify design parameters and READ NOTES ON THIS AND INCLUDED MITEK REFERENCE PAGE MII-7473 rev. 5/19/2020 BEFORE USE.</p> <p>Design valid for use only with MiTek® connectors. This design is based only upon parameters shown, and is for an individual building component, not a truss system. Before use, the building designer must verify the applicability of design parameters and properly incorporate this design into the overall building design. Bracing indicated is to prevent buckling of individual truss web and/or chord members only. Additional temporary and permanent bracing is always required for stability and to prevent collapse with possible personal injury and property damage. For general guidance regarding the fabrication, storage, delivery, erection and bracing of trusses and truss systems, see ANSI/TPI1 Quality Criteria, DSB-89 and BCSI Building Component Safety Information available from Truss Plate Institute, 2670 Crain Highway, Suite 203 Waldorf, MD 20601</p>	 <p>16023 Swingley Ridge Rd Chesterfield, MO 63017</p>
--	--

Job	Truss	Truss Type	Qty	Ply	LaFlamme	T28825745
LAFHAMME	C01GIR	Hip Girder	1	2		

Mayo Truss Company, Inc., Mayo, FL - 32066,

8.530 s Aug 11 2022 MiTek Industries, Inc. Tue Sep 20 07:36:06 2022 Page 1

ID:LxgNNNNKx_AgyVpLF81BKzykv4a-5tPJ8AQ8?_LxqXU2K7YNQi6nuRJKxIbc?DMNHJybot7



Scale = 1:43.1

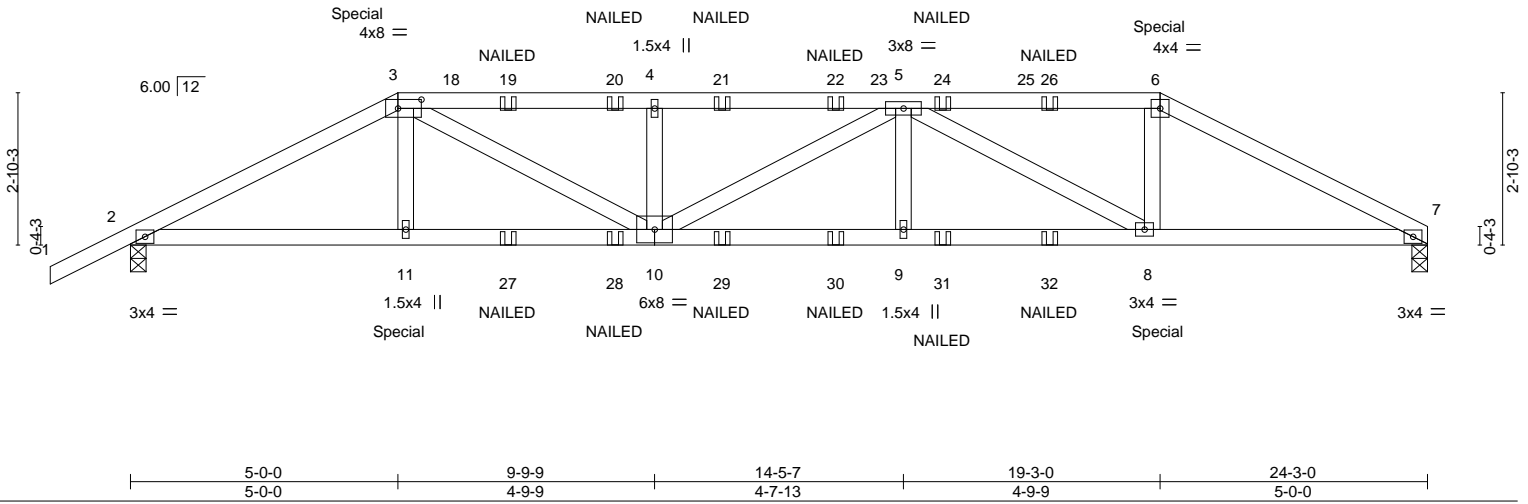


Plate Offsets (X,Y)-- [3:0-5-4,0-2-0]

LOADING (psf)	SPACING-	CSI.	DEFL.	PLATES	GRIP
TCLL 20.0	Plate Grip DOL 1.25	TC 0.33	Vert(LL) -0.10 9-10 >999 240	MT20	244/190
TCDL 10.0	Lumber DOL 1.25	BC 0.54	Vert(CT) -0.21 9-10 >999 180		
BCLL 0.0 *	Rep Stress Incr NO	WB 0.15	Horz(CT) 0.06 7 n/a n/a		
BCDL 10.0	Code FBC2020/TPI2014	Matrix-MS		Weight: 224 lb	FT = 20%

LUMBER-
 TOP CHORD 2x4 SP No.2
 BOT CHORD 2x4 SP No.2
 WEBS 2x4 SP No.2

BRACING-
 TOP CHORD Structural wood sheathing directly applied or 6-0-0 oc purlins.
 BOT CHORD Rigid ceiling directly applied or 10-0-0 oc bracing.

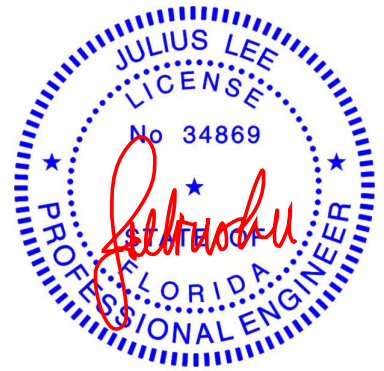
REACTIONS. (size) 7=0-3-8, 2=0-3-8
 Max Horz 2=51(LC 24)
 Max Uplift 2=-14(LC 8)
 Max Grav 7=1518(LC 1), 2=1613(LC 1)

FORCES. (lb) - Max. Comp./Max. Ten. - All forces 250 (lb) or less except when shown.
 TOP CHORD 2-3=-2980/0, 3-4=-3795/0, 4-5=-3795/0, 5-6=-2676/0, 6-7=-2993/0
 BOT CHORD 2-11=0/2607, 10-11=0/2625, 9-10=0/3821, 8-9=0/3821, 7-8=0/2623
 WEBS 3-11=0/409, 3-10=-37/1364, 4-10=-461/101, 5-9=0/329, 5-8=-1356/10, 6-8=0/931

NOTES-

- 2-ply truss to be connected together with 10d (0.131"x3") nails as follows:
 Top chords connected as follows: 2x4 - 1 row at 0-9-0 oc.
 Bottom chords connected as follows: 2x4 - 1 row at 0-9-0 oc.
 Webs connected as follows: 2x4 - 1 row at 0-9-0 oc.
- All loads are considered equally applied to all plies, except if noted as front (F) or back (B) face in the LOAD CASE(S) section. Ply to ply connections have been provided to distribute only loads noted as (F) or (B), unless otherwise indicated.
- Unbalanced roof live loads have been considered for this design.
- Wind: ASCE 7-16; Vult=130mph (3-second gust) Vasd=101mph; TCDL=6.0psf; BCDL=6.0psf; h=15ft; B=45ft; L=24ft; eave=4ft; Cat. II; Exp B; Encl., GCpi=0.18; MWFRS (directional); cantilever left and right exposed; end vertical left and right exposed; Lumber DOL=1.60 plate grip DOL=1.60
- Building Designer / Project engineer responsible for verifying applied roof live load shown covers rain loading requirements specific to the use of this truss component.
- Provide adequate drainage to prevent water ponding.
- This truss has been designed for a 10.0 psf bottom chord live load nonconcurrent with any other live loads.
- * This truss has been designed for a live load of 20.0psf on the bottom chord in all areas where a rectangle 3-6-0 tall by 2-0-0 wide will fit between the bottom chord and any other members.
- Provide mechanical connection (by others) of truss to bearing plate capable of withstanding 100 lb uplift at joint(s) 2.
- "NAILED" indicates 3-10d (0.148"x3") or 3-12d (0.148"x3.25") toe-nails per NDS guidelines.
- Hanger(s) or other connection device(s) shall be provided sufficient to support concentrated load(s) 123 lb down and 98 lb up at 5-0-0, and 123 lb down and 98 lb up at 19-3-0 on top chord, and 164 lb down at 5-0-0, and 164 lb down at 19-2-4 on bottom chord. The design/selection of such connection device(s) is the responsibility of others.

LOAD CASE(S) Standard



Julius Lee PE No. 34869
 MiTek Inc. DBA MiTek USA FL Cert 6634
 16023 Swingley Ridge Rd. Chesterfield, MO 63017
 Date:

September 20, 2022

Continued on page 2

WARNING - Verify design parameters and READ NOTES ON THIS AND INCLUDED MITEK REFERENCE PAGE MII-7473 rev. 5/19/2020 BEFORE USE.

Design valid for use only with MiTek® connectors. This design is based only upon parameters shown, and is for an individual building component, not a truss system. Before use, the building designer must verify the applicability of design parameters and properly incorporate this design into the overall building design. Bracing indicated is to prevent buckling of individual truss web and/or chord members only. Additional temporary and permanent bracing is always required for stability and to prevent collapse with possible personal injury and property damage. For general guidance regarding the fabrication, storage, delivery, erection and bracing of trusses and truss systems, see

ANSI/TPI1 Quality Criteria, DSB-89 and BCSI Building Component

Safety Information available from Truss Plate Institute, 2670 Crain Highway, Suite 203 Waldorf, MD 20601



16023 Swingley Ridge Rd
 Chesterfield, MO 63017

Job	Truss	Truss Type	Qty	Ply	LaFlamme	T28825745
LAFLAMME	C01GIR	Hip Girder	1	2	Job Reference (optional)	

Mayo Truss Company, Inc., Mayo, FL - 32066,

8.530 s Aug 11 2022 MiTek Industries, Inc. Tue Sep 20 07:36:06 2022 Page 2
 ID:LxgNNNKx_AgyVpLF8I1BKzykv4a-5tPJ8AQ8?_LxqXU2K7YNQi6nuRJKxIbc?DMNHJybot7

LOAD CASE(S) Standard

1) Dead + Roof Live (balanced): Lumber Increase=1.25, Plate Increase=1.25

Uniform Loads (plf)

Vert: 1-3=-60, 3-6=-60, 6-7=-60, 12-15=-20

Concentrated Loads (lb)

Vert: 3=-76(B) 6=-76(B) 11=-163(B) 8=-163(B) 19=-66(B) 20=-66(B) 21=-66(B) 22=-66(B) 24=-66(B) 26=-66(B) 27=-38(B) 28=-38(B) 29=-38(B) 30=-38(B)
 31=-38(B) 32=-38(B)

WARNING - Verify design parameters and READ NOTES ON THIS AND INCLUDED MITEK REFERENCE PAGE MII-7473 rev. 5/19/2020 BEFORE USE.

Design valid for use only with MiTek® connectors. This design is based only upon parameters shown, and is for an individual building component, not a truss system. Before use, the building designer must verify the applicability of design parameters and properly incorporate this design into the overall building design. Bracing indicated is to prevent buckling of individual truss web and/or chord members only. Additional temporary and permanent bracing is always required for stability and to prevent collapse with possible personal injury and property damage. For general guidance regarding the fabrication, storage, delivery, erection and bracing of trusses and truss systems, see **ANSI/TPI1 Quality Criteria, DSB-89 and BCSI Building Component Safety Information** available from Truss Plate Institute, 2670 Crain Highway, Suite 203 Waldorf, MD 20601



16023 Swingley Ridge Rd
 Chesterfield, MO 63017

Job	Truss	Truss Type	Qty	Ply	LaFlamme	T28825746
LAFHAMME	C02	Hip	1	1		
					Job Reference (optional)	

Mayo Truss Company, Inc., Mayo, FL - 32066,

8.530 s Aug 11 2022 MiTek Industries, Inc. Tue Sep 20 07:36:07 2022 Page 1

ID:LxgNNNKx_AgyVpLF81BKzykv4a-Z3zhLWRmmHToSh3Ftr3czvfuprePgCmlEt5xplybot6



Scale = 1:43.1

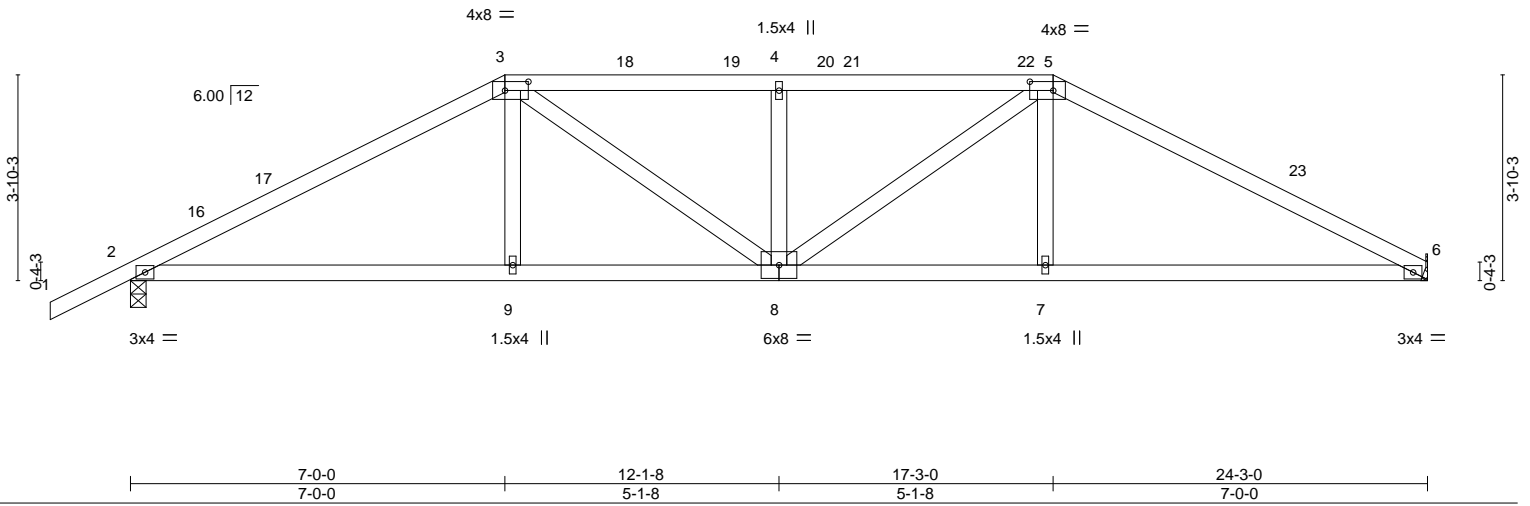


Plate Offsets (X,Y)-- [3:0-5-4,0-2-0], [5:0-5-4,0-2-0]

LOADING (psf)	SPACING-	CSI.	DEFL.	PLATES	GRIP
TCLL 20.0	2-0-0	TC 0.58	in (loc) l/defl L/d	MT20	244/190
TCDL 10.0	Plate Grip DOL 1.25	BC 0.61	Vert(LL) -0.09 7-12 >999 240		
BCLL 0.0 *	Lumber DOL 1.25	WB 0.09	Vert(CT) -0.20 7-12 >999 180		
BCDL 10.0	Rep Stress Incr YES	Matrix-AS	Horz(CT) 0.05 6 n/a n/a		
	Code FBC2020/TPI2014			Weight: 109 lb	FT = 20%

LUMBER-
 TOP CHORD 2x4 SP No.2
 BOT CHORD 2x4 SP No.2
 WEBS 2x4 SP No.2

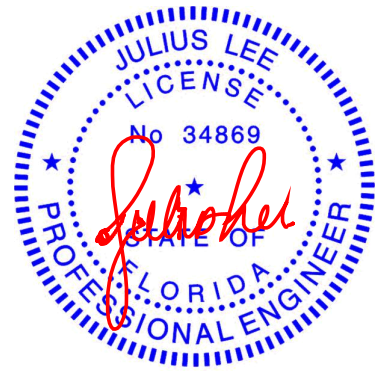
BRACING-
 TOP CHORD Structural wood sheathing directly applied.
 BOT CHORD Rigid ceiling directly applied.

REACTIONS. (size) 6=Mechanical, 2=0-3-8
 Max Horz 2=68(LC 11)
 Max Uplift 2=-38(LC 12)
 Max Grav 6=967(LC 1), 2=1063(LC 1)

FORCES. (lb) - Max. Comp./Max. Ten. - All forces 250 (lb) or less except when shown.
 TOP CHORD 2-3=-1663/85, 3-4=-1674/118, 4-5=-1674/118, 5-6=-1656/91
 BOT CHORD 2-9=-13/1413, 8-9=-10/1420, 7-8=-9/1433, 6-7=-12/1426
 WEBS 3-9=0/285, 3-8=-30/416, 4-8=-309/68, 5-8=-25/408, 5-7=0/288

NOTES-

- Unbalanced roof live loads have been considered for this design.
- Wind: ASCE 7-16; Vult=130mph (3-second gust) Vasd=101mph; TC DL=6.0psf; BCDL=6.0psf; h=15ft; B=45ft; L=24ft; eave=4ft; Cat. II; Exp B; Encl., GCpi=0.18; MWFRS (directional) and C-C Exterior(2E) -1-6-0 to 1-6-0, Interior(1) 1-6-0 to 7-0-0, Exterior(2R) 7-0-0 to 11-2-15, Interior(1) 11-2-15 to 17-3-0, Exterior(2R) 17-3-0 to 21-5-15, Interior(1) 21-5-15 to 24-3-0 zone; cantilever left and right exposed; end vertical left and right exposed; C-C for members and forces & MWFRS for reactions shown; Lumber DOL=1.60 plate grip DOL=1.60
- Building Designer / Project engineer responsible for verifying applied roof live load shown covers rain loading requirements specific to the use of this truss component.
- Provide adequate drainage to prevent water ponding.
- This truss has been designed for a 10.0 psf bottom chord live load nonconcurrent with any other live loads.
- * This truss has been designed for a live load of 20.0psf on the bottom chord in all areas where a rectangle 3-6-0 tall by 2-0-0 wide will fit between the bottom chord and any other members.
- Refer to girder(s) for truss to truss connections.
- Provide mechanical connection (by others) of truss to bearing plate capable of withstanding 100 lb uplift at joint(s) 2.
- This truss design requires that a minimum of 7/16" structural wood sheathing be applied directly to the top chord and 1/2" gypsum sheetrock be applied directly to the bottom chord.



Julius Lee PE No. 34869
 MiTek Inc. DBA MiTek USA FL Cert 6634
 16023 Swingley Ridge Rd. Chesterfield, MO 63017
 Date:

September 20, 2022

WARNING - Verify design parameters and READ NOTES ON THIS AND INCLUDED MITEK REFERENCE PAGE MII-7473 rev. 5/19/2020 BEFORE USE.

Design valid for use only with MiTek® connectors. This design is based only upon parameters shown, and is for an individual building component, not a truss system. Before use, the building designer must verify the applicability of design parameters and properly incorporate this design into the overall building design. Bracing indicated is to prevent buckling of individual truss web and/or chord members only. Additional temporary and permanent bracing is always required for stability and to prevent collapse with possible personal injury and property damage. For general guidance regarding the fabrication, storage, delivery, erection and bracing of trusses and truss systems, see

ANSI/TPI1 Quality Criteria, DSB-89 and BCSI Building Component

Safety Information available from Truss Plate Institute, 2670 Crain Highway, Suite 203 Waldorf, MD 20601



16023 Swingley Ridge Rd
 Chesterfield, MO 63017

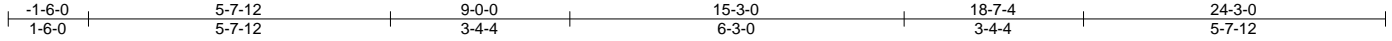
Job	Truss	Truss Type	Qty	Ply	LaFlamme	T28825747
LAFLAMME	C03	Hip	1	1		

Job Reference (optional)

Mayo Truss Company, Inc., Mayo, FL - 32066,

8.530 s Aug 11 2022 MiTek Industries, Inc. Tue Sep 20 07:36:08 2022 Page 1

ID:LxgNNNKx_AgyVpLF811BKzykv4a-1GX4ZsSOXbbf4reRRYarV7B5WF?NPeSuTXrUMCybot5



Scale = 1:43.1

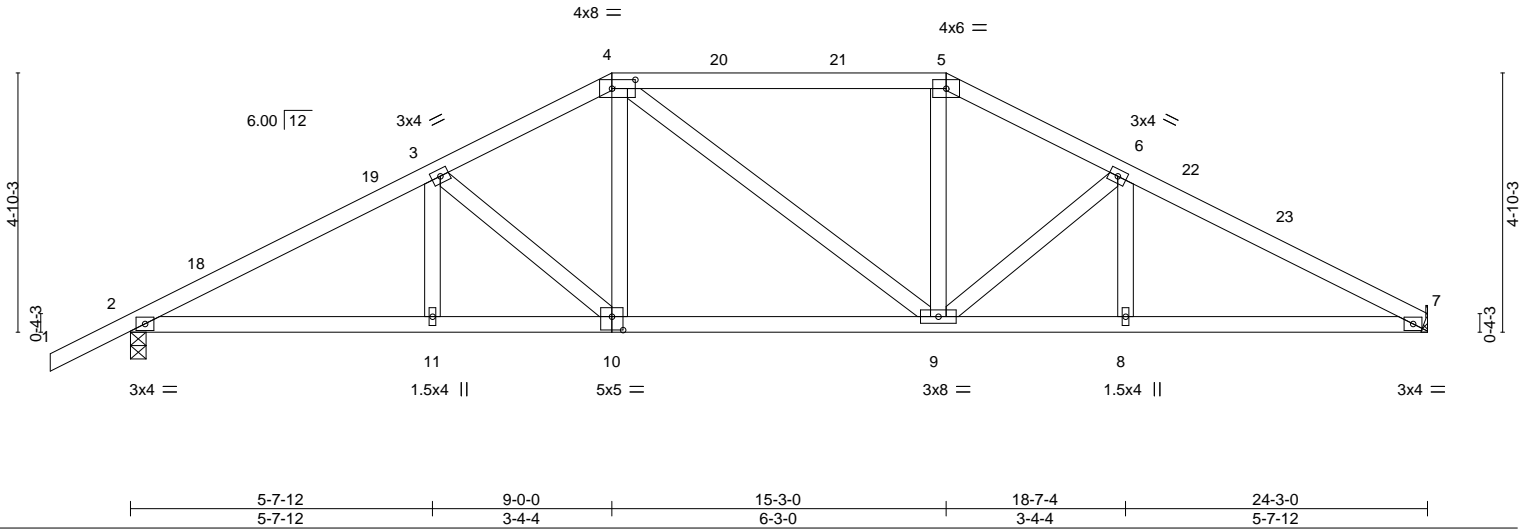


Plate Offsets (X,Y)-- [4:0-5-4,0-2-0], [10:0-2-8,0-3-0]

LOADING (psf)	SPACING-	CSI.	DEFL.	PLATES	GRIP
TCLL 20.0	2-0-0	TC 0.45	in (loc) l/defl L/d	MT20	244/190
TCDL 10.0	Plate Grip DOL 1.25	BC 0.50	Vert(LL) -0.08 9-10 >999 240		
BCLL 0.0 *	Lumber DOL 1.25	WB 0.13	Vert(CT) -0.19 9-10 >999 180		
BCDL 10.0	Rep Stress Incr YES	Matrix-AS	Horz(CT) 0.05 7 n/a n/a		
	Code FBC2020/TPI2014			Weight: 122 lb	FT = 20%

LUMBER-
 TOP CHORD 2x4 SP No.2
 BOT CHORD 2x4 SP No.2
 WEBS 2x4 SP No.2

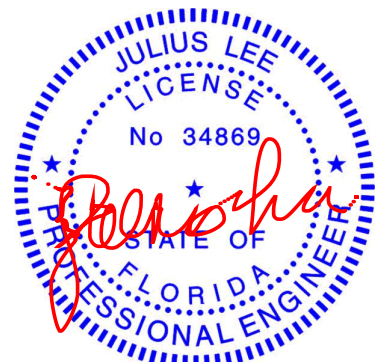
BRACING-
 TOP CHORD Structural wood sheathing directly applied.
 BOT CHORD Rigid ceiling directly applied.

REACTIONS. (size) 7=Mechanical, 2=0-3-8
 Max Horz 2=84(LC 11)
 Max Uplift 2=-38(LC 12)
 Max Grav 7=967(LC 1), 2=1063(LC 1)

FORCES. (lb) - Max. Comp./Max. Ten. - All forces 250 (lb) or less except when shown.
 TOP CHORD 2-3=-1740/93, 3-4=-1410/119, 4-5=-1238/109, 5-6=-1420/109, 6-7=-1740/97
 BOT CHORD 2-11=-35/1498, 10-11=-35/1498, 9-10=-4/1220, 8-9=-33/1514, 7-8=-33/1514
 WEBS 3-10=-367/41, 4-10=0/339, 5-9=0/376, 6-9=-372/60

NOTES-

- Unbalanced roof live loads have been considered for this design.
- Wind: ASCE 7-16; Vult=130mph (3-second gust) Vasd=101mph; TC DL=6.0psf; BC DL=6.0psf; h=15ft; B=45ft; L=24ft; eave=4ft; Cat. II; Exp B; Encl., GCpi=0.18; MWFRS (directional) and C-C Exterior(2E) -1-6-0 to 1-6-0, Interior(1) 1-6-0 to 9-0-0, Exterior(2R) 9-0-0 to 13-2-15, Interior(1) 13-2-15 to 15-3-0, Exterior(2R) 15-3-0 to 19-5-15, Interior(1) 19-5-15 to 24-3-0 zone; cantilever left and right exposed; end vertical left and right exposed; C-C for members and forces & MWFRS for reactions shown; Lumber DOL=1.60 plate grip DOL=1.60
- Building Designer / Project engineer responsible for verifying applied roof live load shown covers rain loading requirements specific to the use of this truss component.
- Provide adequate drainage to prevent water ponding.
- This truss has been designed for a 10.0 psf bottom chord live load nonconcurrent with any other live loads.
- * This truss has been designed for a live load of 20.0psf on the bottom chord in all areas where a rectangle 3-6-0 tall by 2-0-0 wide will fit between the bottom chord and any other members.
- Refer to girder(s) for truss to truss connections.
- Provide mechanical connection (by others) of truss to bearing plate capable of withstanding 100 lb uplift at joint(s) 2.
- This truss design requires that a minimum of 7/16" structural wood sheathing be applied directly to the top chord and 1/2" gypsum sheetrock be applied directly to the bottom chord.



Julius Lee PE No. 34869
 MiTek Inc. DBA MiTek USA FL Cert 6634
 16023 Swingley Ridge Rd. Chesterfield, MO 63017
 Date:

September 20, 2022

WARNING - Verify design parameters and READ NOTES ON THIS AND INCLUDED MITEK REFERENCE PAGE MII-7473 rev. 5/19/2020 BEFORE USE.

Design valid for use only with MiTek® connectors. This design is based only upon parameters shown, and is for an individual building component, not a truss system. Before use, the building designer must verify the applicability of design parameters and properly incorporate this design into the overall building design. Bracing indicated is to prevent buckling of individual truss web and/or chord members only. Additional temporary and permanent bracing is always required for stability and to prevent collapse with possible personal injury and property damage. For general guidance regarding the fabrication, storage, delivery, erection and bracing of trusses and truss systems, see

ANSI/TPI1 Quality Criteria, DSB-89 and BCSI Building Component

Safety Information available from Truss Plate Institute, 2670 Crain Highway, Suite 203 Waldorf, MD 20601



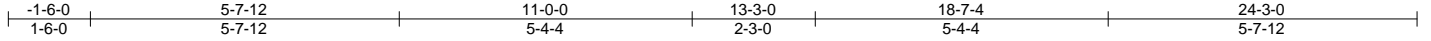
16023 Swingley Ridge Rd
 Chesterfield, MO 63017

Job	Truss	Truss Type	Qty	Ply	LaFlamme	T28825748
LAFHAMME	C04	Hip	1	1		

Mayo Truss Company, Inc., Mayo, FL - 32066,

8.530 s Aug 11 2022 MiTek Industries, Inc. Tue Sep 20 07:36:09 2022 Page 1

ID:LxgNNNKx_AgyVpLF81BKzykv4a-VS5SmCS0lvjWh_Dd?G542KkldfNU82_2iBa1ueybot4



Scale = 1:42.1

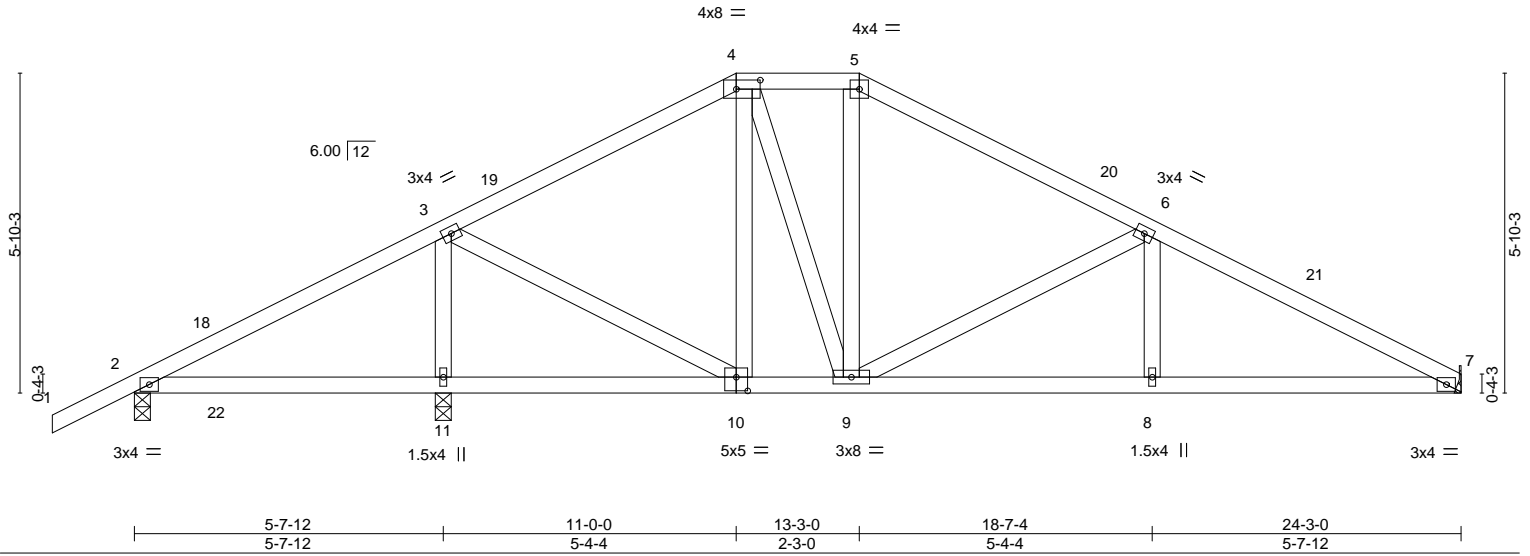


Plate Offsets (X,Y)--	[4:0-5-4,0-2-0], [10:0-2-8,0-3-0]
-----------------------	-----------------------------------

LOADING (psf)	SPACING-	CSI.	DEFL.	PLATES	GRIP
TCLL 20.0	Plate Grip DOL 1.25	TC 0.37	in (loc) l/defl L/d	MT20	244/190
TCDL 10.0	Lumber DOL 1.25	BC 0.38	Vert(LL) 0.05 11-17 >999 240		
BCLL 0.0 *	Rep Stress Incr YES	WB 0.37	Vert(CT) -0.08 8-14 >999 180		
BCDL 10.0	Code FBC2020/TPI2014	Matrix-AS	Horz(CT) 0.02 7 n/a n/a	Weight: 128 lb	FT = 20%

LUMBER-	BRACING-
TOP CHORD 2x4 SP No.2	TOP CHORD Structural wood sheathing directly applied.
BOT CHORD 2x4 SP No.2	BOT CHORD Rigid ceiling directly applied.
WEBS 2x4 SP No.2	

REACTIONS. (size) 7=Mechanical, 2=0-3-8, 11=0-3-8
 Max Horz 2=101(LC 11)
 Max Uplift 2=-94(LC 12), 11=-39(LC 12)
 Max Grav 7=707(LC 1), 2=245(LC 21), 11=1118(LC 1)

FORCES. (lb) - Max. Comp./Max. Ten. - All forces 250 (lb) or less except when shown.
 TOP CHORD 3-4=-568/91, 4-5=-539/102, 5-6=-683/87, 6-7=-1196/68
 BOT CHORD 9-10=0/433, 8-9=-13/1034, 7-8=-13/1034
 WEBS 3-11=-969/106, 3-10=0/652, 4-10=-263/16, 4-9=-13/351, 6-9=-560/66


- NOTES-**
- Unbalanced roof live loads have been considered for this design.
 - Wind: ASCE 7-16; Vult=130mph (3-second gust) Vasd=101mph; TCCL=6.0psf; BCCL=6.0psf; h=15ft; B=45ft; L=24ft; eave=4ft; Cat. II; Exp B; Encl., GCpi=0.18; MWFRS (directional) and C-C Exterior(2E) -1-6-0 to 1-6-0, Interior(1) 1-6-0 to 11-0-0, Exterior(2E) 11-0-0 to 13-3-0, Exterior(2R) 13-3-0 to 17-5-15, Interior(1) 17-5-15 to 24-3-0 zone; cantilever left and right exposed; end vertical left and right exposed; porch left exposed; C-C for members and forces & MWFRS for reactions shown; Lumber DOL=1.60 plate grip DOL=1.60
 - Building Designer / Project engineer responsible for verifying applied roof live load shown covers rain loading requirements specific to the use of this truss component.
 - Provide adequate drainage to prevent water ponding.
 - This truss has been designed for a 10.0 psf bottom chord live load nonconcurrent with any other live loads.
 - * This truss has been designed for a live load of 20.0psf on the bottom chord in all areas where a rectangle 3-6-0 tall by 2-0-0 wide will fit between the bottom chord and any other members.
 - Refer to girder(s) for truss to truss connections.
 - Provide mechanical connection (by others) of truss to bearing plate capable of withstanding 100 lb uplift at joint(s) 2, 11.
 - This truss design requires that a minimum of 7/16" structural wood sheathing be applied directly to the top chord and 1/2" gypsum sheetrock be applied directly to the bottom chord.



Julius Lee PE No. 34869
 MiTek Inc. DBA MiTek USA FL Cert 6634
 16023 Swingley Ridge Rd. Chesterfield, MO 63017
 Date:

September 20,2022

WARNING - Verify design parameters and READ NOTES ON THIS AND INCLUDED MITEK REFERENCE PAGE MII-7473 rev. 5/19/2020 BEFORE USE.
 Design valid for use only with MiTek® connectors. This design is based only upon parameters shown, and is for an individual building component, not a truss system. Before use, the building designer must verify the applicability of design parameters and properly incorporate this design into the overall building design. Bracing indicated is to prevent buckling of individual truss web and/or chord members only. Additional temporary and permanent bracing is always required for stability and to prevent collapse with possible personal injury and property damage. For general guidance regarding the fabrication, storage, delivery, erection and bracing of trusses and truss systems, see **ANSI/TPI1 Quality Criteria, DSB-89 and BCSI Building Component Safety Information** available from Truss Plate Institute, 2670 Crain Highway, Suite 203 Waldorf, MD 20601

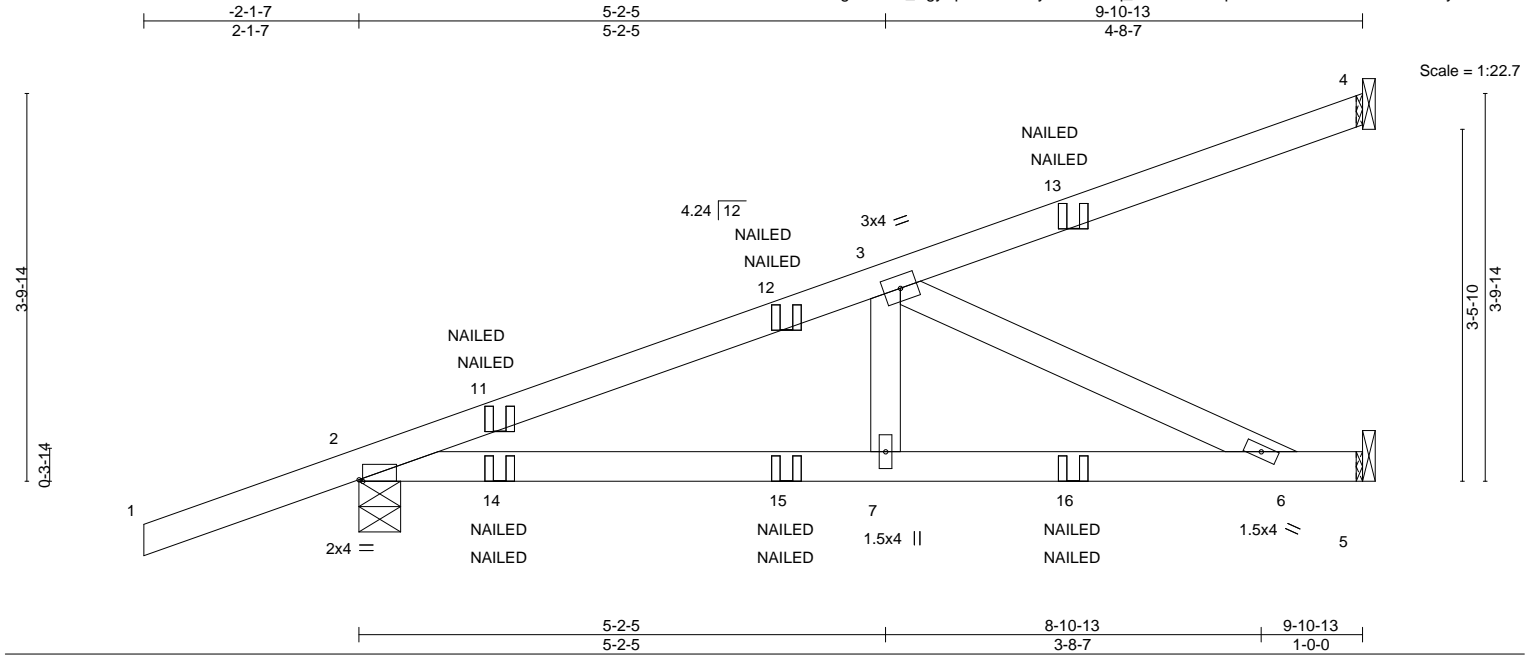


16023 Swingley Ridge Rd
 Chesterfield, MO 63017

Job	Truss	Truss Type	Qty	Ply	LaFlamme	T28825749
LAFHAMME	CJ01	Diagonal Hip Girder	2	1		
					Job Reference (optional)	

Mayo Truss Company, Inc., Mayo, FL - 32066,

8.530 s Aug 11 2022 MiTek Industries, Inc. Tue Sep 20 07:36:10 2022 Page 1
ID:LxgNNNKx_AgyVpLF811BKzykv4a-zeeq_XTf3CrNJ8opZzcJaYHRl2eBtXKBwrKbQ4ybot3



LOADING (psf)	SPACING-	CSI.	DEFL.	PLATES	GRIP
TCLL 20.0	Plate Grip DOL 1.25	TC 0.47	in (loc) l/defl L/d	MT20	244/190
TCDL 10.0	Lumber DOL 1.25	BC 0.67	Vert(LL) -0.05 6-7 >999 240		
BCLL 0.0 *	Rep Stress Incr NO	WB 0.23	Vert(CT) -0.12 6-7 >999 180		
BCDL 10.0	Code FBC2020/TP12014	Matrix-MS	Horz(CT) 0.01 5 n/a n/a	Weight: 43 lb	FT = 20%

LUMBER-	BRACING-
TOP CHORD 2x4 SP No.2	TOP CHORD Structural wood sheathing directly applied or 6-0-0 oc purlins.
BOT CHORD 2x4 SP No.2	BOT CHORD Rigid ceiling directly applied or 10-0-0 oc bracing.
WEBS 2x4 SP No.2	

REACTIONS. (size) 4=Mechanical, 2=0-4-15, 5=Mechanical
 Max Horz 2=111(LC 8)
 Max Uplift 4=-33(LC 8), 2=-97(LC 8)
 Max Grav 4=144(LC 1), 2=477(LC 1), 5=324(LC 1)

FORCES. (lb) - Max. Comp./Max. Ten. - All forces 250 (lb) or less except when shown.
 TOP CHORD 2-3=-748/0
 BOT CHORD 2-7=-37/677, 6-7=-37/677
 WEBS 3-7=0/295, 3-6=-746/41

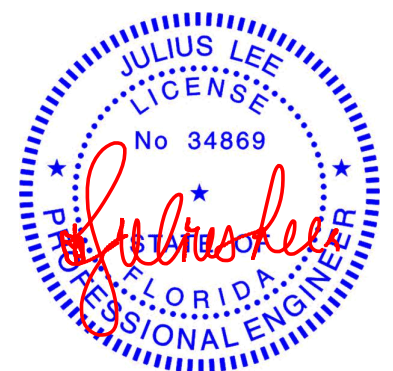
- NOTES-**
- 1) Wind: ASCE 7-16; Vult=130mph (3-second gust) Vasd=101mph; TC DL=6.0psf; BCDL=6.0psf; h=15ft; B=45ft; L=24ft; eave=4ft; Cat. II; Exp B; Encl., GCpi=0.18; MWFRS (directional); cantilever left and right exposed ; end vertical left and right exposed; Lumber DOL=1.60 plate grip DOL=1.60
 - 2) Building Designer / Project engineer responsible for verifying applied roof live load shown covers rain loading requirements specific to the use of this truss component.
 - 3) This truss has been designed for a 10.0 psf bottom chord live load nonconcurrent with any other live loads.
 - 4) * This truss has been designed for a live load of 20.0psf on the bottom chord in all areas where a rectangle 3-6-0 tall by 2-0-0 wide will fit between the bottom chord and any other members.
 - 5) Refer to girder(s) for truss to truss connections.
 - 6) Provide mechanical connection (by others) of truss to bearing plate capable of withstanding 100 lb uplift at joint(s) 4, 2.
 - 7) "NAILED" indicates 3-10d (0.148"x3") or 2-12d (0.148"x3.25") toe-nails per NDS guidelines.
 - 8) In the LOAD CASE(S) section, loads applied to the face of the truss are noted as front (F) or back (B).

LOAD CASE(S) Standard

- 1) Dead + Roof Live (balanced): Lumber Increase=1.25, Plate Increase=1.25


Uniform Loads (plf)
 Vert: 1-4=-60, 5-8=-20

Concentrated Loads (lb)
 Vert: 11=57(F=29, B=29) 13=-82(F=-41, B=-41) 14=61(F=31, B=31) 15=-7(F=-3, B=-3) 16=-59(F=-30, B=-30)



Julius Lee PE No. 34869
 MiTek Inc. DBA MiTek USA FL Cert 6634
 16023 Swingley Ridge Rd. Chesterfield, MO 63017
 Date:

September 20, 2022

<p>WARNING - Verify design parameters and READ NOTES ON THIS AND INCLUDED MITEK REFERENCE PAGE MII-7473 rev. 5/19/2020 BEFORE USE.</p> <p>Design valid for use only with MiTek® connectors. This design is based only upon parameters shown, and is for an individual building component, not a truss system. Before use, the building designer must verify the applicability of design parameters and properly incorporate this design into the overall building design. Bracing indicated is to prevent buckling of individual truss web and/or chord members only. Additional temporary and permanent bracing is always required for stability and to prevent collapse with possible personal injury and property damage. For general guidance regarding the fabrication, storage, delivery, erection and bracing of trusses and truss systems, see ANSI/TP1 Quality Criteria, DSB-89 and BCSI Building Component Safety Information available from Truss Plate Institute, 2670 Crain Highway, Suite 203 Waldorf, MD 20601</p>	 <p>16023 Swingley Ridge Rd Chesterfield, MO 63017</p>
---	--

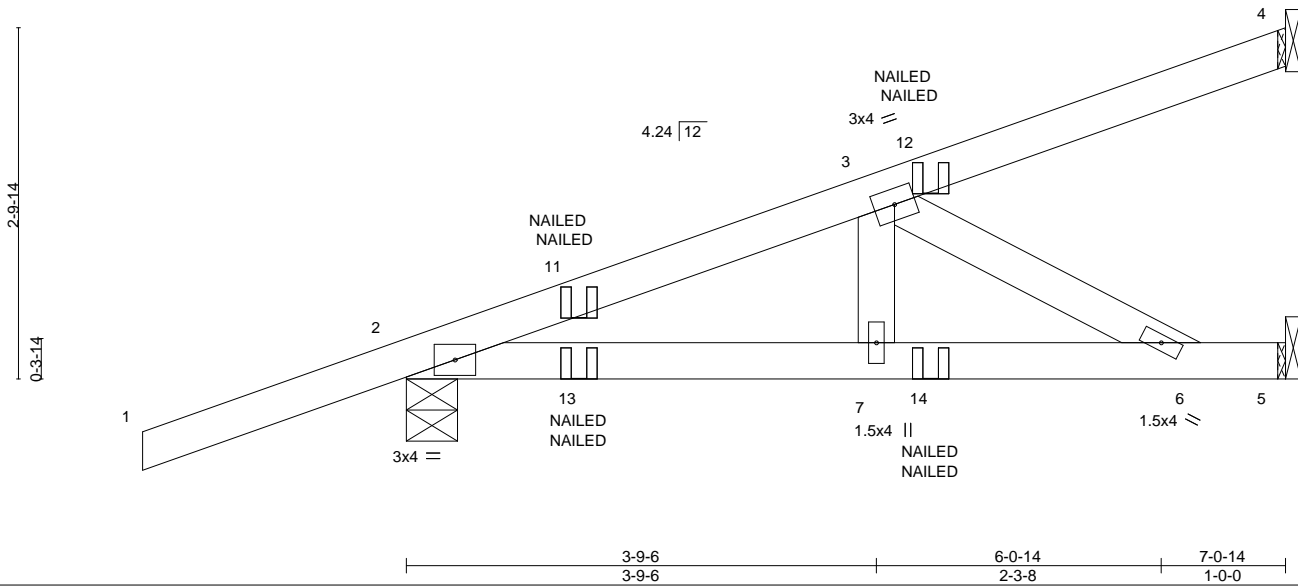
Job	Truss	Truss Type	Qty	Ply	LaFlamme	T28825750
LAFHAMME	CJ02	Diagonal Hip Girder	2	1		

Mayo Truss Company, Inc., Mayo, FL - 32066,

8.530 s Aug 11 2022 MiTek Industries, Inc. Tue Sep 20 07:36:11 2022 Page 1
 ID:LxgNNNNkx_AgyVpLF81BKzkyk4a-SrCCBtUHqWzExlN06g7Y77pedS49c1PL9V38yWybot2



Scale = 1:18.5



LOADING (psf)	SPACING-	CSI.	DEFL.	in (loc)	l/defl	L/d	PLATES	GRIP
TCLL 20.0	Plate Grip DOL 1.25	TC 0.33	Vert(LL) -0.02	7-10	>999	240	MT20	244/190
TCDL 10.0	Lumber DOL 1.25	BC 0.30	Vert(CT) -0.03	6-7	>999	180		
BCLL 0.0 *	Rep Stress Incr NO	WB 0.05	Horz(CT) 0.00	5	n/a	n/a		
BCDL 10.0	Code FBC2020/TPI2014	Matrix-MP					Weight: 31 lb	FT = 20%

LUMBER-	BRACING-
TOP CHORD 2x4 SP No.2	TOP CHORD Structural wood sheathing directly applied or 6-0-0 oc purlins.
BOT CHORD 2x4 SP No.2	BOT CHORD Rigid ceiling directly applied or 10-0-0 oc bracing.
WEBS 2x4 SP No.2	

REACTIONS. (size) 4=Mechanical, 2=0-4-15, 5=Mechanical
 Max Horz 2=87(LC 8)
 Max Uplift 4=-19(LC 8), 2=-100(LC 8)
 Max Grav 4=95(LC 17), 2=338(LC 28), 5=165(LC 29)

FORCES. (lb) - Max. Comp./Max. Ten. - All forces 250 (lb) or less except when shown.
 TOP CHORD 2-3=-387/0
 BOT CHORD 2-7=-29/333, 6-7=-29/333
 WEBS 3-6=-377/32

- NOTES-**
- 1) Wind: ASCE 7-16; Vult=130mph (3-second gust) Vasd=101mph; TCDL=6.0psf; BCDL=6.0psf; h=15ft; B=45ft; L=24ft; eave=4ft; Cat. II; Exp B; Encl., GCpi=0.18; MWFRS (directional); cantilever left and right exposed; end vertical left and right exposed; Lumber DOL=1.60 plate grip DOL=1.60
 - 2) Building Designer / Project engineer responsible for verifying applied roof live load shown covers rain loading requirements specific to the use of this truss component.
 - 3) This truss has been designed for a 10.0 psf bottom chord live load nonconcurrent with any other live loads.
 - 4) * This truss has been designed for a live load of 20.0psf on the bottom chord in all areas where a rectangle 3-6-0 tall by 2-0-0 wide will fit between the bottom chord and any other members.
 - 5) Refer to girder(s) for truss to truss connections.
 - 6) Provide mechanical connection (by others) of truss to bearing plate capable of withstanding 100 lb uplift at joint(s) 4, 2.
 - 7) "NAILED" indicates 3-10d (0.148"x3") or 2-12d (0.148"x3.25") toe-nails per NDS guidelines.
 - 8) In the LOAD CASE(S) section, loads applied to the face of the truss are noted as front (F) or back (B).

LOAD CASE(S) Standard

- 1) Dead + Roof Live (balanced): Lumber Increase=1.25, Plate Increase=1.25

Uniform Loads (plf)
 Vert: 1-4=-60, 5-8=-20

Concentrated Loads (lb)
 Vert: 11=57(F=29, B=29) 13=61(F=31, B=31) 14=-7(F=-3, B=-3)



Julius Lee PE No. 34869
 MiTek Inc. DBA MiTek USA FL Cert 6634
 16023 Swingley Ridge Rd. Chesterfield, MO 63017
 Date:

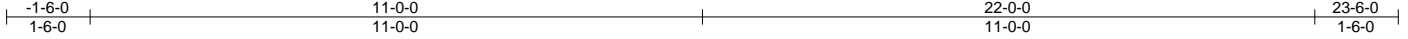
September 20, 2022

Job	Truss	Truss Type	Qty	Ply	LaFlamme	T28825751
LAFHAMME	D01GE	Common Supported Gable	1	1		
					Job Reference (optional)	

Mayo Truss Company, Inc., Mayo, FL - 32066,

8.530 s Aug 11 2022 MiTek Industries, Inc. Tue Sep 20 07:36:13 2022 Page 1

ID:LxgNNNNKx_AgyVpLF811BKzyk4a-ODKzcZWXm7DyAcWoe5A0CAv17GqS4xzdcP YF1Pybot0



Scale = 1:41.4

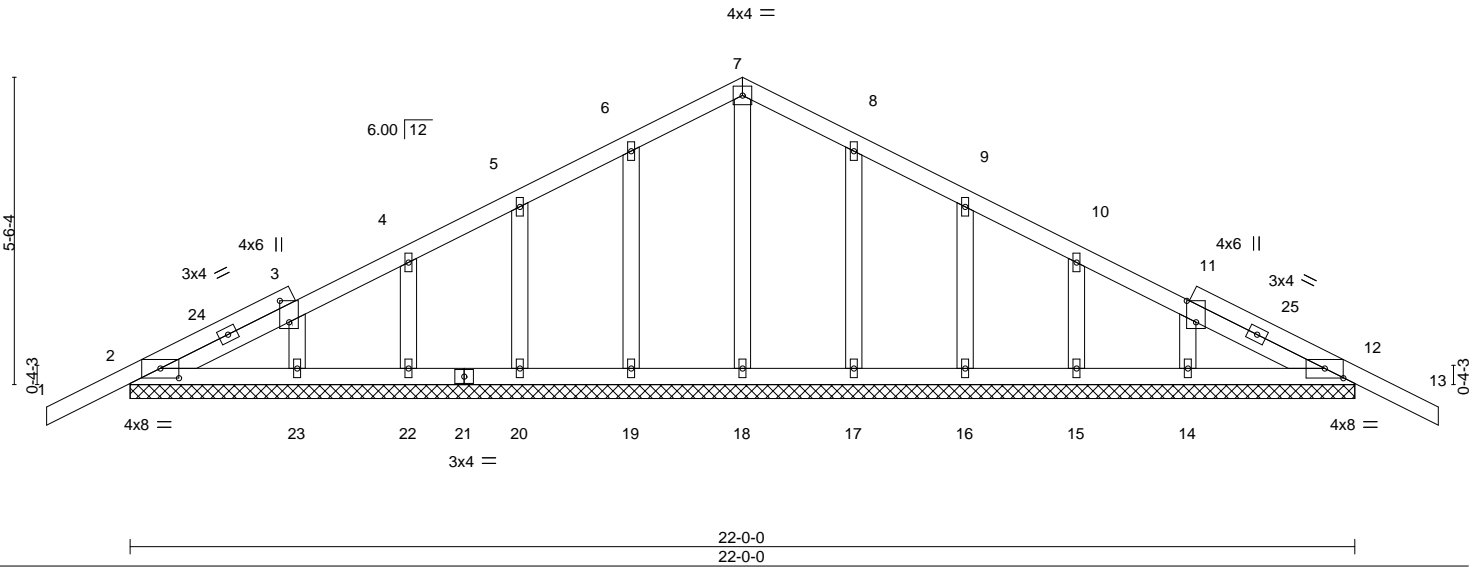


Plate Offsets (X,Y)--	[2:0-4-0,0-2-1], [3:0-4-10,0-2-0], [11:0-4-10,0-2-0], [12:0-4-0,0-2-1]
-----------------------	--

LOADING (psf)	SPACING-	CSI.	DEFL.	in (loc)	l/defl	L/d	PLATES	GRIP
TCLL 20.0	Plate Grip DOL 1.25	TC 0.14	Vert(LL) -0.01	13	n/r	120	MT20	244/190
TCDL 10.0	Lumber DOL 1.25	BC 0.06	Vert(CT) -0.01	13	n/r	120		
BCLL 0.0 *	Rep Stress Incr YES	WB 0.05	Horz(CT) 0.00	12	n/a	n/a		
BCDL 10.0	Code FBC2020/TPI2014	Matrix-S					Weight: 119 lb	FT = 20%

LUMBER-	BRACING-
TOP CHORD 2x4 SP No.2	TOP CHORD Structural wood sheathing directly applied or 6-0-0 oc purlins.
BOT CHORD 2x4 SP No.2	BOT CHORD Rigid ceiling directly applied or 10-0-0 oc bracing.
OTHERS 2x4 SP No.2	

REACTIONS. All bearings 22-0-0.
 (lb) - Max Horz 2=-98(LC 10)
 Max Uplift All uplift 100 lb or less at joint(s) 2, 12, 19, 20, 22, 17, 16, 15
 Max Grav All reactions 250 lb or less at joint(s) 2, 12, 18, 19, 20, 22, 23, 17, 16, 15, 14

FORCES. (lb) - Max. Comp./Max. Ten. - All forces 250 (lb) or less except when shown.

- NOTES-**
- Unbalanced roof live loads have been considered for this design.
 - Wind: ASCE 7-16; Vult=130mph (3-second gust) Vasd=101mph; TCCL=6.0psf; BCDL=6.0psf; h=15ft; B=45ft; L=24ft; eave=2ft; Cat. II; Exp B; Encl., GCpi=0.18; MWFRS (directional) and C-C Corner(3E) -1-6-0 to 1-6-0, Exterior(2N) 1-6-0 to 11-0-0, Corner(3R) 11-0-0 to 14-0-0, Exterior(2N) 14-0-0 to 23-6-0 zone; cantilever left and right exposed; end vertical left and right exposed; C-C for members and forces & MWFRS for reactions shown; Lumber DOL=1.60 plate grip DOL=1.60
 - Truss designed for wind loads in the plane of the truss only. For studs exposed to wind (normal to the face), see Standard Industry Gable End Details as applicable, or consult qualified building designer as per ANSI/TPI 1.
 - Building Designer / Project engineer responsible for verifying applied roof live load shown covers rain loading requirements specific to the use of this truss component.
 - All plates are 1.5x4 MT20 unless otherwise indicated.
 - Gable requires continuous bottom chord bearing.
 - Gable studs spaced at 2-0-0 oc.
 - This truss has been designed for a 10.0 psf bottom chord live load nonconcurrent with any other live loads.
 - * This truss has been designed for a live load of 20.0psf on the bottom chord in all areas where a rectangle 3-6-0 tall by 2-0-0 wide will fit between the bottom chord and any other members.
 - Provide mechanical connection (by others) of truss to bearing plate capable of withstanding 100 lb uplift at joint(s) 2, 12, 19, 20, 22, 17, 16, 15.



Julius Lee PE No. 34869
 MiTek Inc. DBA MiTek USA FL Cert 6634
 16023 Swingley Ridge Rd. Chesterfield, MO 63017
 Date:

September 20,2022

WARNING - Verify design parameters and READ NOTES ON THIS AND INCLUDED MITEK REFERENCE PAGE MII-7473 rev. 5/19/2020 BEFORE USE.

Design valid for use only with MiTek® connectors. This design is based only upon parameters shown, and is for an individual building component, not a truss system. Before use, the building designer must verify the applicability of design parameters and properly incorporate this design into the overall building design. Bracing indicated is to prevent buckling of individual truss web and/or chord members only. Additional temporary and permanent bracing is always required for stability and to prevent collapse with possible personal injury and property damage. For general guidance regarding the fabrication, storage, delivery, erection and bracing of trusses and truss systems, see **ANSI/TPI1 Quality Criteria, DSB-89 and BCSI Building Component Safety Information** available from Truss Plate Institute, 2670 Crain Highway, Suite 203 Waldorf, MD 20601

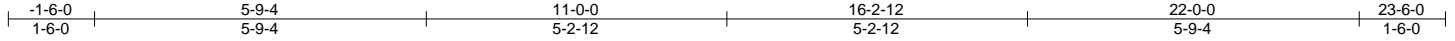
16023 Swingley Ridge Rd
 Chesterfield, MO 63017

Job	Truss	Truss Type	Qty	Ply	LaFlamme	T28825752
LAFHAMME	D02	Common	6	1		

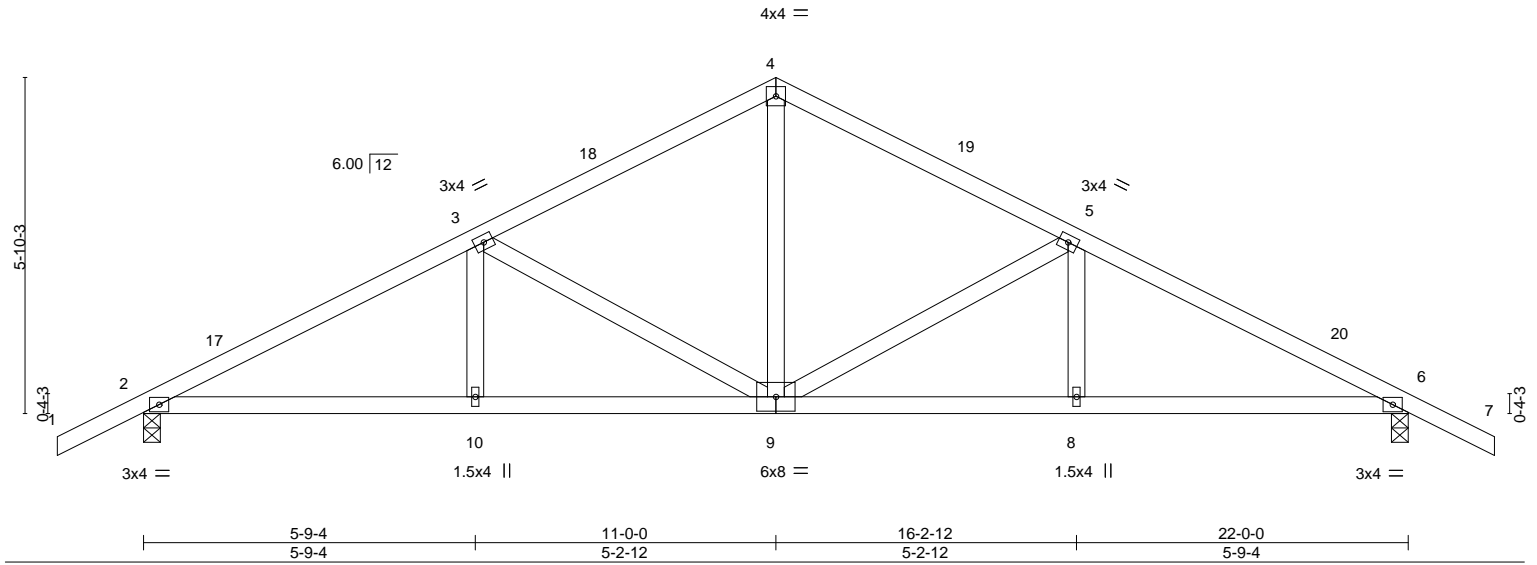
Mayo Truss Company, Inc., Mayo, FL - 32066,

8.530 s Aug 11 2022 MiTek Industries, Inc. Tue Sep 20 07:36:14 2022 Page 1

ID:LxgNNKX_AgyVpLF81BKzyk4a-sPuLpvW97Rloom5bophFIORaig4upJtnrTloZrybot?



Scale = 1:40.1



LOADING (psf)	SPACING-	CSI.	DEFL.	PLATES	GRIP
TCLL 20.0	2-0-0	TC 0.28	in (loc) l/defl L/d	MT20	244/190
TCDL 10.0	Plate Grip DOL 1.25	BC 0.43	Vert(LL) -0.05 9 >999 240		
BCLL 0.0 *	Lumber DOL 1.25	WB 0.33	Vert(CT) -0.12 8-9 >999 180		
BCDL 10.0	Rep Stress Incr YES	Matrix-AS	Horz(CT) 0.04 6 n/a n/a		
	Code FBC2020/TPI2014			Weight: 107 lb	FT = 20%

LUMBER-	BRACING-
TOP CHORD 2x4 SP No.2	TOP CHORD Structural wood sheathing directly applied.
BOT CHORD 2x4 SP No.2	BOT CHORD Rigid ceiling directly applied.
WEBS 2x4 SP No.2	

REACTIONS. (size) 2=0-3-8, 6=0-3-8
 Max Horz 2=-103(LC 10)
 Max Uplift 2=-37(LC 12), 6=-37(LC 12)
 Max Grav 2=970(LC 1), 6=970(LC 1)

FORCES. (lb) - Max. Comp./Max. Ten. - All forces 250 (lb) or less except when shown.
 TOP CHORD 2-3=-1550/125, 3-4=-1058/146, 4-5=-1058/146, 5-6=-1550/125
 BOT CHORD 2-10=-25/1331, 9-10=-25/1331, 8-9=-38/1331, 6-8=-38/1331
 WEBS 4-9=-19/588, 5-9=-532/80, 5-8=0/253, 3-9=-532/80, 3-10=0/253


- NOTES-**
- Unbalanced roof live loads have been considered for this design.
 - Wind: ASCE 7-16; Vult=130mph (3-second gust) Vasd=101mph; TCDL=6.0psf; BCDL=6.0psf; h=15ft; B=45ft; L=24ft; eave=4ft; Cat. II; Exp B; Encl., GCpi=0.18; MWFRS (directional) and C-C Exterior(2E) -1-6-0 to 1-6-0, Interior(1) 1-6-0 to 11-0-0, Exterior(2R) 11-0-0 to 14-0-0, Interior(1) 14-0-0 to 23-6-0 zone; cantilever left and right exposed; end vertical left and right exposed; C-C for members and forces & MWFRS for reactions shown; Lumber DOL=1.60 plate grip DOL=1.60
 - Building Designer / Project engineer responsible for verifying applied roof live load shown covers rain loading requirements specific to the use of this truss component.
 - This truss has been designed for a 10.0 psf bottom chord live load nonconcurrent with any other live loads.
 - * This truss has been designed for a live load of 20.0psf on the bottom chord in all areas where a rectangle 3-6-0 tall by 2-0-0 wide will fit between the bottom chord and any other members.
 - Provide mechanical connection (by others) of truss to bearing plate capable of withstanding 100 lb uplift at joint(s) 2, 6.
 - This truss design requires that a minimum of 7/16" structural wood sheathing be applied directly to the top chord and 1/2" gypsum sheetrock be applied directly to the bottom chord.



Julius Lee PE No. 34869
 MiTek Inc. DBA MiTek USA FL Cert 6634
 16023 Swingley Ridge Rd. Chesterfield, MO 63017
 Date:

September 20, 2022

WARNING - Verify design parameters and READ NOTES ON THIS AND INCLUDED MITEK REFERENCE PAGE MII-7473 rev. 5/19/2020 BEFORE USE.
 Design valid for use only with MiTek® connectors. This design is based only upon parameters shown, and is for an individual building component, not a truss system. Before use, the building designer must verify the applicability of design parameters and properly incorporate this design into the overall building design. Bracing indicated is to prevent buckling of individual truss web and/or chord members only. Additional temporary and permanent bracing is always required for stability and to prevent collapse with possible personal injury and property damage. For general guidance regarding the fabrication, storage, delivery, erection and bracing of trusses and truss systems, see **ANSI/TPI1 Quality Criteria, DSB-89 and BCSI Building Component Safety Information** available from Truss Plate Institute, 2670 Crain Highway, Suite 203 Waldorf, MD 20601



16023 Swingley Ridge Rd
 Chesterfield, MO 63017

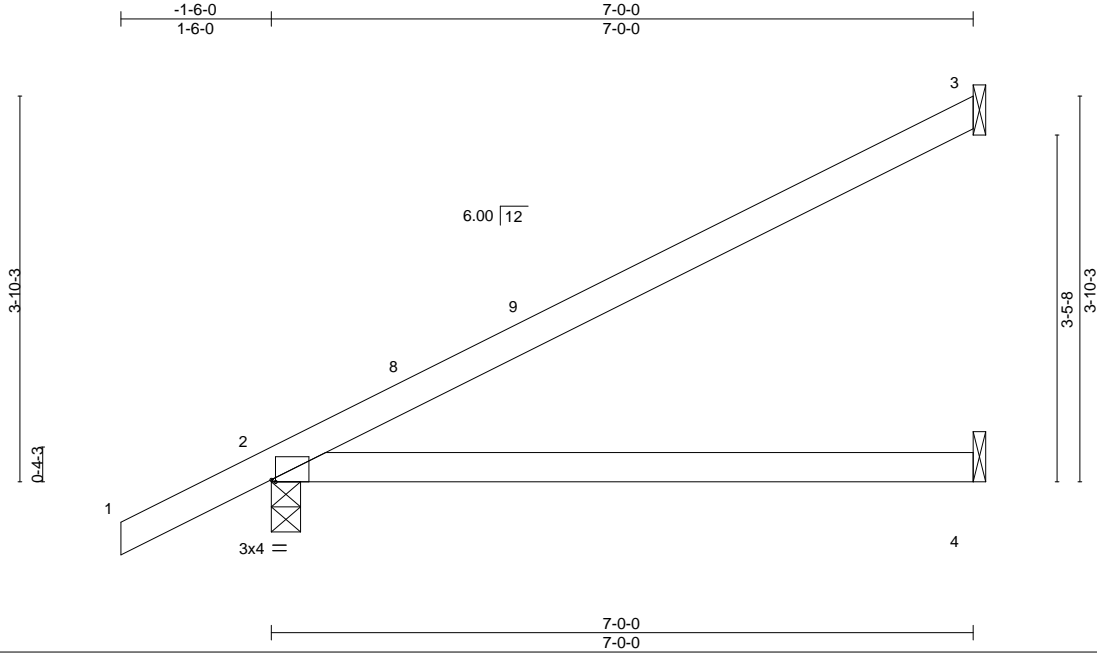
Job	Truss	Truss Type	Qty	Ply	LaFlamme	T28825754
LAFHAMME	J1	Jack-Open	14	1		

Mayo Truss Company, Inc.,

Mayo, FL - 32066,

8.530 s Aug 11 2022 MiTek Industries, Inc. Tue Sep 20 07:36:16 2022 Page 1

ID:LxgNNNKx_AgyVpLF81BKzykv4a-oo05EbYPf2bW13FzvEjjqpXQGTkEHIS4Jnnvdkybosz
7-0-0
7-0-0



Scale = 1:23.0

Plate Offsets (X,Y)--	[2:0-0-8,Edge]
-----------------------	----------------

LOADING (psf)	SPACING-	2-0-0	CSI.	DEFL.	in	(loc)	l/defl	L/d	PLATES	GRIP
TCLL 20.0	Plate Grip DOL	1.25	TC 0.60	Vert(LL)	-0.09	4-7	>969	240	MT20	244/190
TCDL 10.0	Lumber DOL	1.25	BC 0.50	Vert(CT)	-0.21	4-7	>398	180		
BCLL 0.0 *	Rep Stress Incr	YES	WB 0.00	Horz(CT)	0.00	2	n/a	n/a		
BCDL 10.0	Code	FBC2020/TP12014	Matrix-AS						Weight: 25 lb	FT = 20%

LUMBER-	BRACING-
TOP CHORD 2x4 SP No.2	TOP CHORD Structural wood sheathing directly applied.
BOT CHORD 2x4 SP No.2	BOT CHORD Rigid ceiling directly applied.

REACTIONS. (size) 3=Mechanical, 2=0-3-8, 4=Mechanical
 Max Horz 2=111(LC 12)
 Max Uplift 3=44(LC 12), 2=-21(LC 12)
 Max Grav 3=185(LC 1), 2=377(LC 1), 4=124(LC 3)


FORCES. (lb) - Max. Comp./Max. Ten. - All forces 250 (lb) or less except when shown.

- NOTES-**
- 1) Wind: ASCE 7-16; Vult=130mph (3-second gust) Vasd=101mph; TCDL=6.0psf; BCDL=6.0psf; h=15ft; B=45ft; L=24ft; eave=4ft; Cat. II; Exp B; Encl., GCpi=0.18; MWFRS (directional) and C-C Exterior(2E) -1-6-0 to 1-6-0, Interior(1) 1-6-0 to 6-11-4 zone; cantilever left and right exposed ; end vertical left and right exposed;C-C for members and forces & MWFRS for reactions shown; Lumber DOL=1.60 plate grip DOL=1.60
 - 2) Building Designer / Project engineer responsible for verifying applied roof live load shown covers rain loading requirements specific to the use of this truss component.
 - 3) This truss has been designed for a 10.0 psf bottom chord live load nonconcurrent with any other live loads.
 - 4) * This truss has been designed for a live load of 20.0psf on the bottom chord in all areas where a rectangle 3-6-0 tall by 2-0-0 wide will fit between the bottom chord and any other members.
 - 5) Refer to girder(s) for truss to truss connections.
 - 6) Provide mechanical connection (by others) of truss to bearing plate capable of withstanding 100 lb uplift at joint(s) 3, 2.
 - 7) This truss design requires that a minimum of 7/16" structural wood sheathing be applied directly to the top chord and 1/2" gypsum sheetrock be applied directly to the bottom chord.



Julius Lee PE No. 34869
 MiTek Inc. DBA MiTek USA FL Cert 6634
 16023 Swingley Ridge Rd. Chesterfield, MO 63017
 Date:

September 20,2022

<p>WARNING - Verify design parameters and READ NOTES ON THIS AND INCLUDED MITEK REFERENCE PAGE MII-7473 rev. 5/19/2020 BEFORE USE.</p> <p>Design valid for use only with MiTek® connectors. This design is based only upon parameters shown, and is for an individual building component, not a truss system. Before use, the building designer must verify the applicability of design parameters and properly incorporate this design into the overall building design. Bracing indicated is to prevent buckling of individual truss web and/or chord members only. Additional temporary and permanent bracing is always required for stability and to prevent collapse with possible personal injury and property damage. For general guidance regarding the fabrication, storage, delivery, erection and bracing of trusses and truss systems, see ANSI/TP1 Quality Criteria, DSB-89 and BCSI Building Component Safety Information available from Truss Plate Institute, 2670 Crain Highway, Suite 203 Waldorf, MD 20601</p>	 16023 Swingley Ridge Rd Chesterfield, MO 63017
---	--

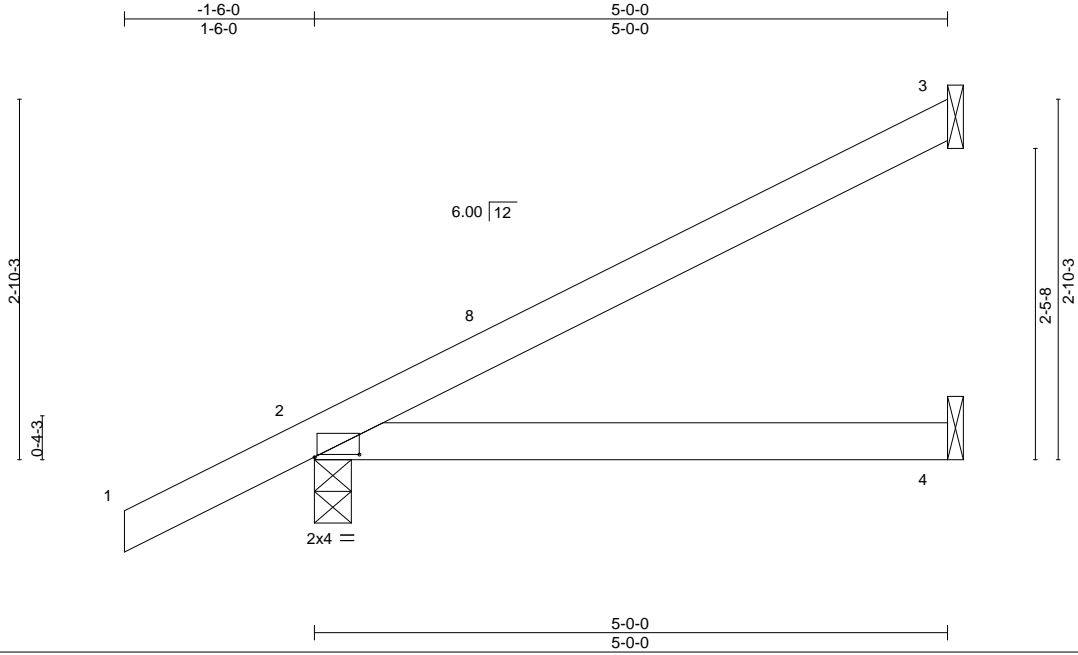
Job	Truss	Truss Type	Qty	Ply	LaFlamme	T28825755
LAFHAMME	J1A	Jack-Open	8	1		

Mayo Truss Company, Inc.,

Mayo, FL - 32066,

8.530 s Aug 11 2022 MiTek Industries, Inc. Tue Sep 20 07:36:16 2022 Page 1

ID:LxgNNNKx_AgyVpLF81BKzykv4a-oo05EbYPf2bW13FzvEjjqpXVCToNHIS4Jnnvdkybosz



Scale = 1:18.2

Plate Offsets (X,Y)--	[2:0-4-4,0-0-4]
-----------------------	-----------------

LOADING (psf)	SPACING-	CSL.	DEFL.	in (loc)	l/defl	L/d	PLATES	GRIP
TCLL 20.0	Plate Grip DOL 1.25	TC 0.28	Vert(LL) 0.03	4-7	>999	240	MT20	244/190
TCDL 10.0	Lumber DOL 1.25	BC 0.24	Vert(CT) -0.05	4-7	>999	180		
BCLL 0.0 *	Rep Stress Incr YES	WB 0.00	Horz(CT) 0.00	3	n/a	n/a		
BCDL 10.0	Code FBC2020/TP12014	Matrix-AS					Weight: 18 lb	FT = 20%

LUMBER-	BRACING-
TOP CHORD 2x4 SP No.2	TOP CHORD Structural wood sheathing directly applied.
BOT CHORD 2x4 SP No.2	BOT CHORD Rigid ceiling directly applied.

REACTIONS. (size) 3=Mechanical, 2=0-3-8, 4=Mechanical
 Max Horz 2=87(LC 12)
 Max Uplift 3=-29(LC 12), 2=-29(LC 12)
 Max Grav 3=126(LC 1), 2=301(LC 1), 4=88(LC 3)

FORCES. (lb) - Max. Comp./Max. Ten. - All forces 250 (lb) or less except when shown.

- NOTES-**
- 1) Wind: ASCE 7-16; Vult=130mph (3-second gust) Vasd=101mph; TCDL=6.0psf; BCDL=6.0psf; h=15ft; B=45ft; L=24ft; eave=4ft; Cat. II; Exp B; Encl., GCpi=0.18; MWFRS (directional) and C-C Exterior(2E) -1-6-0 to 1-6-0, Interior(1) 1-6-0 to 4-11-4 zone; cantilever left and right exposed ; end vertical left and right exposed;C-C for members and forces & MWFRS for reactions shown; Lumber DOL=1.60 plate grip DOL=1.60
 - 2) Building Designer / Project engineer responsible for verifying applied roof live load shown covers rain loading requirements specific to the use of this truss component.
 - 3) This truss has been designed for a 10.0 psf bottom chord live load nonconcurrent with any other live loads.
 - 4) * This truss has been designed for a live load of 20.0psf on the bottom chord in all areas where a rectangle 3-6-0 tall by 2-0-0 wide will fit between the bottom chord and any other members.
 - 5) Refer to girder(s) for truss to truss connections.
 - 6) Provide mechanical connection (by others) of truss to bearing plate capable of withstanding 100 lb uplift at joint(s) 3, 2.
 - 7) This truss design requires that a minimum of 7/16" structural wood sheathing be applied directly to the top chord and 1/2" gypsum sheetrock be applied directly to the bottom chord.



Julius Lee PE No. 34869
 MiTek Inc. DBA MiTek USA FL Cert 6634
 16023 Swingley Ridge Rd. Chesterfield, MO 63017
 Date:

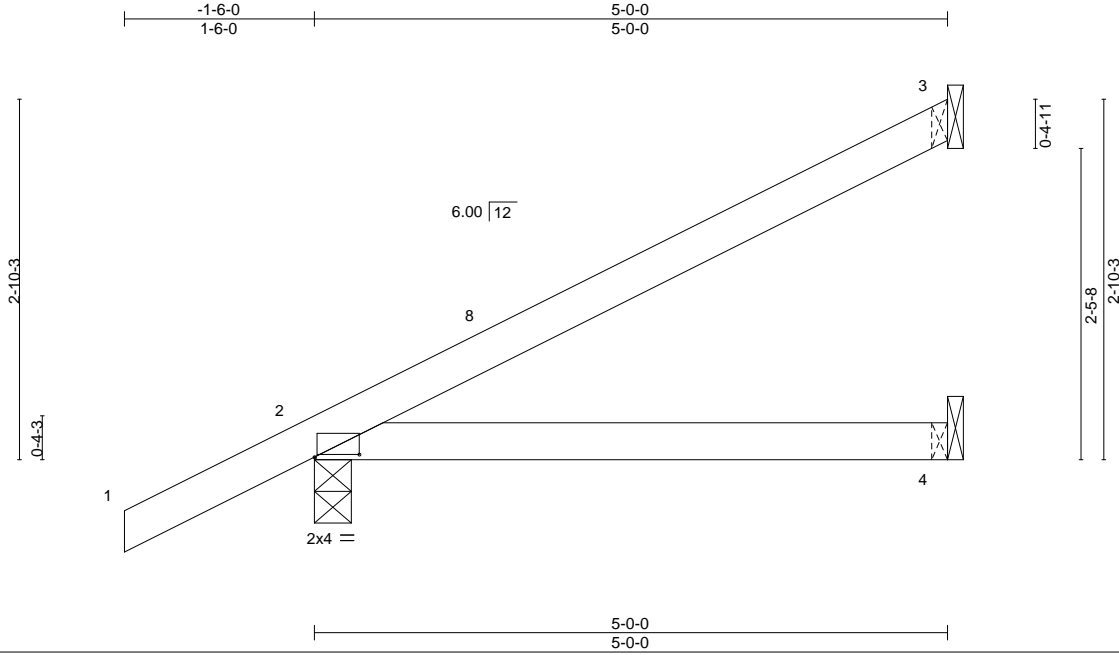
September 20,2022

Job	Truss	Truss Type	Qty	Ply	LaFlamme	T28825756
LAFHAMME	J2	Jack-Open	4	1		

Mayo Truss Company, Inc.,

Mayo, FL - 32066,

8.530 s Aug 11 2022 MiTek Industries, Inc. Tue Sep 20 07:36:17 2022 Page 1
 ID:LxgNNNKx_AgyVpLF81BKzykv4a-G_aTSxZ2QMjNfDqATxEyM03gyt8b0liDXRWS9Aybosy



Scale = 1:18.2

Plate Offsets (X,Y)-- [2:0-4-4,0-0-4]

LOADING (psf)	SPACING-	CSL.	DEFL.	PLATES	GRIP
TCLL 20.0	Plate Grip DOL 1.25	TC 0.28	Vert(LL) 0.03 4-7 >999 240	MT20	244/190
TCDL 10.0	Lumber DOL 1.25	BC 0.24	Vert(CT) -0.05 4-7 >999 180		
BCLL 0.0 *	Rep Stress Incr YES	WB 0.00	Horz(CT) 0.00 3 n/a n/a		
BCDL 10.0	Code FBC2020/TPI2014	Matrix-AS		Weight: 18 lb	FT = 20%

LUMBER-	BRACING-
TOP CHORD 2x4 SP No.2	TOP CHORD Structural wood sheathing directly applied.
BOT CHORD 2x4 SP No.2	BOT CHORD Rigid ceiling directly applied.

REACTIONS. (size) 3=Mechanical, 2=0-3-8, 4=Mechanical
 Max Horz 2=87(LC 12)
 Max Uplift 3=-29(LC 12), 2=-29(LC 12)
 Max Grav 3=126(LC 1), 2=301(LC 1), 4=88(LC 3)

FORCES. (lb) - Max. Comp./Max. Ten. - All forces 250 (lb) or less except when shown.

- NOTES-**
- 1) Wind: ASCE 7-16; Vult=130mph (3-second gust) Vasd=101mph; TCDL=6.0psf; BCDL=6.0psf; h=15ft; B=45ft; L=24ft; eave=4ft; Cat. II; Exp B; Encl., GCpi=0.18; MWFRS (directional) and C-C Exterior(2E) -1-6-0 to 1-6-0, Interior(1) 1-6-0 to 4-11-4 zone; cantilever left and right exposed ; end vertical left and right exposed;C-C for members and forces & MWFRS for reactions shown; Lumber DOL=1.60 plate grip DOL=1.60
 - 2) Building Designer / Project engineer responsible for verifying applied roof live load shown covers rain loading requirements specific to the use of this truss component.
 - 3) This truss has been designed for a 10.0 psf bottom chord live load nonconcurrent with any other live loads.
 - 4) * This truss has been designed for a live load of 20.0psf on the bottom chord in all areas where a rectangle 3-6-0 tall by 2-0-0 wide will fit between the bottom chord and any other members.
 - 5) Refer to girder(s) for truss to truss connections.
 - 6) Provide mechanical connection (by others) of truss to bearing plate capable of withstanding 100 lb uplift at joint(s) 3, 2.
 - 7) This truss design requires that a minimum of 7/16" structural wood sheathing be applied directly to the top chord and 1/2" gypsum sheetrock be applied directly to the bottom chord.



Julius Lee PE No. 34869
 MiTek Inc. DBA MiTek USA FL Cert 6634
 16023 Swingley Ridge Rd. Chesterfield, MO 63017
 Date:

September 20,2022

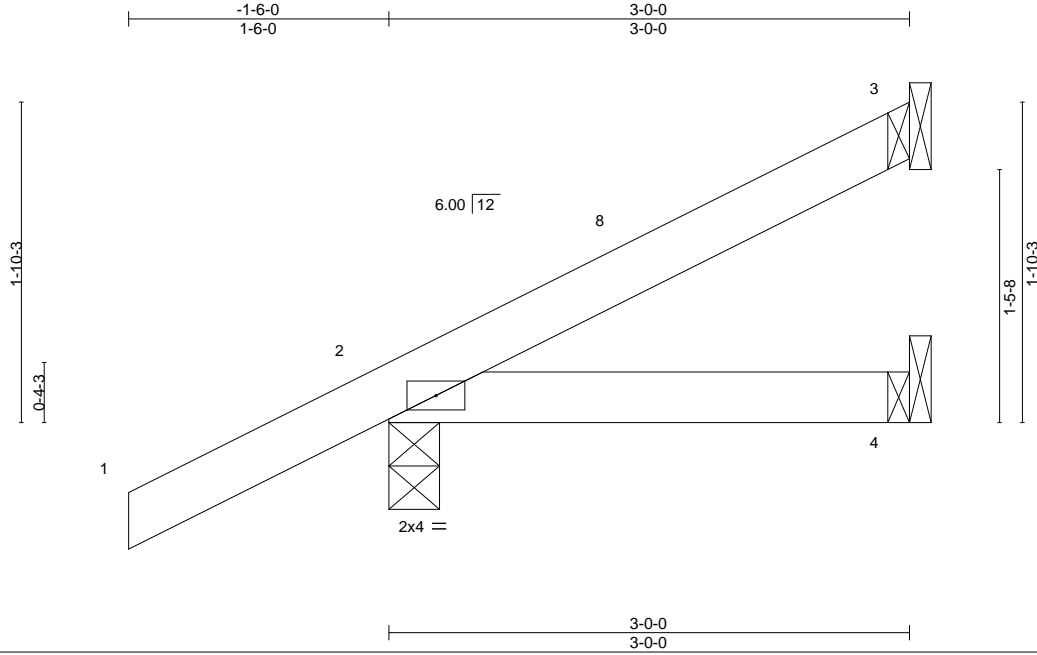
Job	Truss	Truss Type	Qty	Ply	LaFlamme	T28825757
LAFHAMME	J3	Jack-Open	8	1		

Mayo Truss Company, Inc.,

Mayo, FL - 32066,

8.530 s Aug 11 2022 MiTek Industries, Inc. Tue Sep 20 07:36:18 2022 Page 1

ID:LxgNNNKx_AgyVpLF81BKzykv4a-kB7rfHZgAgrEHNPM1f1BvEctrHWRICyNm5G0hcybosx



Scale = 1:13.3

LOADING (psf)	SPACING-	CSI.	DEFL.	PLATES	GRIP
TCLL 20.0	2-0-0	TC 0.14	in (loc) l/defl L/d	MT20	244/190
TCDL 10.0	Plate Grip DOL 1.25	BC 0.07	Vert(LL) -0.00 4-7 >999 240		
BCLL 0.0 *	Lumber DOL 1.25	WB 0.00	Vert(CT) -0.01 4-7 >999 180		
BCDL 10.0	Rep Stress Incr YES	Matrix-MP	Horz(CT) 0.00 3 n/a n/a		
	Code FBC2020/TPI2014			Weight: 12 lb	FT = 20%

LUMBER-	BRACING-
TOP CHORD 2x4 SP No.2	TOP CHORD Structural wood sheathing directly applied or 3-0-0 oc purlins.
BOT CHORD 2x4 SP No.2	BOT CHORD Rigid ceiling directly applied or 10-0-0 oc bracing.

REACTIONS. (size) 3=Mechanical, 2=0-3-8, 4=Mechanical
 Max Horz 2=63(LC 12)
 Max Uplift 3=-12(LC 12), 2=-40(LC 12)
 Max Grav 3=65(LC 1), 2=230(LC 1), 4=50(LC 3)

FORCES. (lb) - Max. Comp./Max. Ten. - All forces 250 (lb) or less except when shown.

- NOTES-**
- 1) Wind: ASCE 7-16; Vult=130mph (3-second gust) Vasd=101mph; TCDL=6.0psf; BCDL=6.0psf; h=15ft; B=45ft; L=24ft; eave=4ft; Cat. II; Exp B; Encl., GCpi=0.18; MWFRS (directional) and C-C Exterior(2E) -1-6-0 to 1-6-0, Interior(1) 1-6-0 to 2-11-4 zone; cantilever left and right exposed ; end vertical left and right exposed;C-C for members and forces & MWFRS for reactions shown; Lumber DOL=1.60 plate grip DOL=1.60
 - 2) Building Designer / Project engineer responsible for verifying applied roof live load shown covers rain loading requirements specific to the use of this truss component.
 - 3) This truss has been designed for a 10.0 psf bottom chord live load nonconcurrent with any other live loads.
 - 4) * This truss has been designed for a live load of 20.0psf on the bottom chord in all areas where a rectangle 3-6-0 tall by 2-0-0 wide will fit between the bottom chord and any other members.
 - 5) Refer to girder(s) for truss to truss connections.
 - 6) Provide mechanical connection (by others) of truss to bearing plate capable of withstanding 100 lb uplift at joint(s) 3, 2.



Julius Lee PE No. 34869
 MiTek Inc. DBA MiTek USA FL Cert 6634
 16023 Swingley Ridge Rd. Chesterfield, MO 63017
 Date:

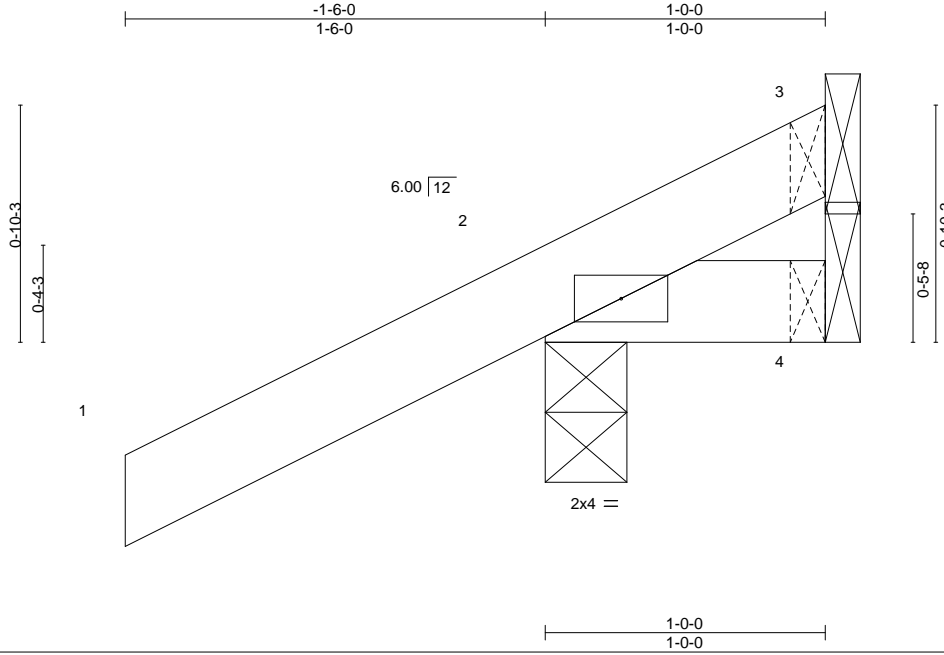
September 20,2022

Job	Truss	Truss Type	Qty	Ply	LaFlamme	T28825758
LAFHAMME	J4	Jack-Open	8	1	Job Reference (optional)	

Mayo Truss Company, Inc.,

Mayo, FL - 32066,

8.530 s Aug 11 2022 MiTek Industries, Inc. Tue Sep 20 07:36:18 2022 Page 1
 ID:LxgNNNKx_AgyVpLF81BKzykv4a-kB7rfHZgAgrEHNPM1fIBvEctrHX9ICyNm5G0hcybox



Scale = 1:8.2

LOADING (psf)	SPACING-	CSI.	DEFL.	in	(oc)	l/defl	L/d	PLATES	GRIP
TCLL 20.0	2-0-0	TC 0.14	Vert(LL) 0.00	7	>999	240	MT20	244/190	
TCDL 10.0	Plate Grip DOL 1.25	BC 0.02	Vert(CT) 0.00	7	>999	180			
BCLL 0.0 *	Lumber DOL 1.25	WB 0.00	Horz(CT) -0.00	4	n/a	n/a			
BCDL 10.0	Rep Stress Incr YES	Matrix-MP							
	Code FBC2020/TPI2014							Weight: 6 lb	FT = 20%

LUMBER-

TOP CHORD 2x4 SP No.2
 BOT CHORD 2x4 SP No.2

BRACING-

TOP CHORD Structural wood sheathing directly applied or 1-0-0 oc purlins.
 BOT CHORD Rigid ceiling directly applied or 10-0-0 oc bracing.

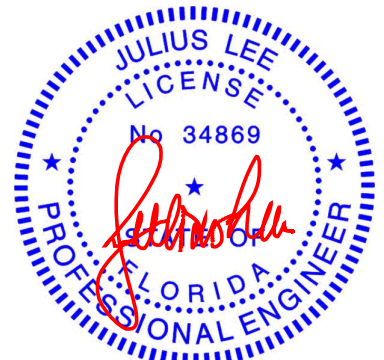
REACTIONS.

(size) 3=Mechanical, 2=0-3-8, 4=Mechanical
 Max Horz 2=39(LC 12)
 Max Uplift 3=7(LC 1), 2=71(LC 12), 4=22(LC 1)
 Max Grav 3=12(LC 12), 2=198(LC 1), 4=22(LC 12)

FORCES. (lb) - Max. Comp./Max. Ten. - All forces 250 (lb) or less except when shown.

NOTES-

- 1) Wind: ASCE 7-16; Vult=130mph (3-second gust) Vasd=101mph; TCDL=6.0psf; BCDL=6.0psf; h=15ft; B=45ft; L=24ft; eave=4ft; Cat. II; Exp B; Encl., GCpi=0.18; MWFRS (directional) and C-C Exterior(2E) zone; cantilever left and right exposed ; end vertical left and right exposed;C-C for members and forces & MWFRS for reactions shown; Lumber DOL=1.60 plate grip DOL=1.60
- 2) Building Designer / Project engineer responsible for verifying applied roof live load shown covers rain loading requirements specific to the use of this truss component.
- 3) This truss has been designed for a 10.0 psf bottom chord live load nonconcurrent with any other live loads.
- 4) * This truss has been designed for a live load of 20.0psf on the bottom chord in all areas where a rectangle 3-6-0 tall by 2-0-0 wide will fit between the bottom chord and any other members.
- 5) Refer to girder(s) for truss to truss connections.
- 6) Provide mechanical connection (by others) of truss to bearing plate capable of withstanding 100 lb uplift at joint(s) 3, 2, 4.



Julius Lee PE No. 34869
 MiTek Inc. DBA MiTek USA FL Cert 6634
 16023 Swingley Ridge Rd. Chesterfield, MO 63017
 Date:

September 20,2022

WARNING - Verify design parameters and READ NOTES ON THIS AND INCLUDED MITEK REFERENCE PAGE MII-7473 rev. 5/19/2020 BEFORE USE.

Design valid for use only with MiTek® connectors. This design is based only upon parameters shown, and is for an individual building component, not a truss system. Before use, the building designer must verify the applicability of design parameters and properly incorporate this design into the overall building design. Bracing indicated is to prevent buckling of individual truss web and/or chord members only. Additional temporary and permanent bracing is always required for stability and to prevent collapse with possible personal injury and property damage. For general guidance regarding the fabrication, storage, delivery, erection and bracing of trusses and truss systems, see

ANSI/TPI1 Quality Criteria, DSB-89 and BCSI Building Component

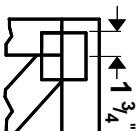
Safety Information available from Truss Plate Institute, 2670 Crain Highway, Suite 203 Waldorf, MD 20601



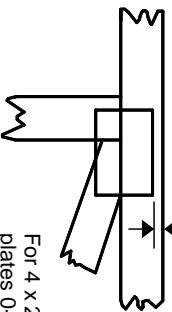
16023 Swingley Ridge Rd
 Chesterfield, MO 63017

Symbols

PLATE LOCATION AND ORIENTATION



Center plate on joint unless x, y offsets are indicated. Dimensions are in ft-in-sixteenths. Apply plates to both sides of truss and fully embed teeth.



For 4 x 2 orientation, locate plates 0- 1/16" from outside edge of truss.



This symbol indicates the required direction of slots in connector plates.

* Plate location details available in **MITek 20/20 software or upon request.**

PLATE SIZE

4 X 4

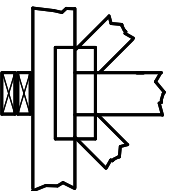
The first dimension is the plate width measured perpendicular to slots. Second dimension is the length parallel to slots.

LATERAL BRACING LOCATION



Indicated by symbol shown and/or by text in the bracing section of the output. Use T or I bracing if indicated.

BEARING



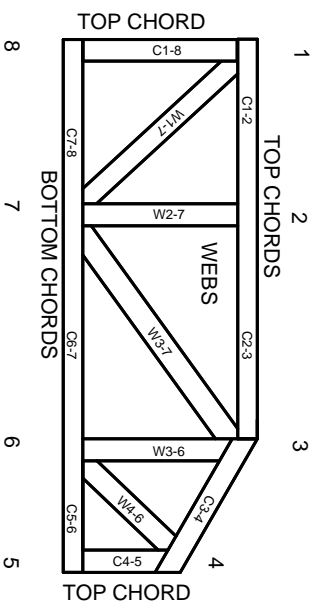
Indicates location where bearings (supports) occur. Icons vary but reaction section indicates joint number where bearings occur. Min size shown is for crushing only.

Industry Standards:

ANSI/TPI 1: National Design Specification for Metal Plate Connected Wood Truss Construction.
DSB-89: Design Standard for Bracing, Building Component Safety Information, Guide to Good Practice for Handling, Installing & Bracing of Metal Plate Connected Wood Trusses.

Numbering System

6-4-8 dimensions shown in ft-in-sixteenths (Drawings not to scale)



JOINTS ARE GENERALLY NUMBERED/LETTERED CLOCKWISE AROUND THE TRUSS STARTING AT THE JOINT FARTHEST TO THE LEFT.

CHORDS AND WEBS ARE IDENTIFIED BY END JOINT NUMBERS/LETTERS.

PRODUCT CODE APPROVALS

ICC-ES Reports:

ESR-1311, ESR-1352, ESR1988
ER-3907, ESR-2362, ESR-1397, ESR-3282

Trusses are designed for wind loads in the plane of the truss unless otherwise shown.

Lumber design values are in accordance with ANSI/TPI 1 section 6.3 These truss designs rely on lumber values established by others.

© 2012 MITek® All Rights Reserved

General Safety Notes

Failure to Follow Could Cause Property Damage or Personal Injury

1. Additional stability/bracing for truss system, e.g. diagonal or X-bracing, is always required. See BCSI.
2. Truss bracing must be designed by an engineer. For wide truss spacing, individual lateral braces themselves may require bracing, or alternative T or I bracing should be considered.
3. Never exceed the design loading shown and never stack materials on inadequately braced trusses.
4. Provide copies of this truss design to the building designer, erection supervisor, property owner and all other interested parties.
5. Cut members to bear tightly against each other.
6. Place plates on each face of truss at each joint and embed fully. Knots and wane at joint locations are regulated by ANSI/TPI 1.
7. Design assumes trusses will be suitably protected from the environment in accord with ANSI/TPI 1.
8. Unless otherwise noted, moisture content of lumber shall not exceed 19% at time of fabrication.
9. Unless expressly noted, this design is not applicable for use with fire retardant, preservative treated, or green lumber.
10. Camber is a non-structural consideration and is the responsibility of truss fabricator. General practice is to camber for dead load deflection.
11. Plate type, size, orientation and location dimensions indicated are minimum plating requirements.
12. Lumber used shall be of the species and size, and in all respects, equal to or better than that specified.
13. Top chords must be sheathed or purlins provided at spacing indicated on design.
14. Bottom chords require lateral bracing at 10 ft. spacing, or less, if no ceiling is installed, unless otherwise noted.
15. Connections not shown are the responsibility of others.
16. Do not cut or alter truss member or plate without prior approval of an engineer.
17. Install and load vertically unless indicated otherwise.
18. Use of green or treated lumber may pose unacceptable environmental, health or performance risks. Consult with project engineer before use.
19. Review all portions of this design (front, back, words and pictures) before use. Reviewing pictures alone is not sufficient.
20. Design assumes manufacture in accordance with ANSI/TPI 1 Quality Criteria.
21. The design does not take into account any dynamic or other loads other than those expressly stated.



MITek Engineering Reference Sheet: Mill-7473 rev. 5/19/2020