

ROOF FRAMING PLAN
SCALE: 1/4" = 1'-0"

ROOF PLAN NOTES

- R-1 SEE ELEVATIONS FOR ROOF PITCH
- R-2 ALL OVERHANG 18" (12" on gables) UNLESS OTHERWISE NOTED
- R-3 PROVIDE ATTIC VENTILATION IN ACCORDANCE WITH SCHEDULE ON SD.3
- R-4 SEE EXTERIOR ELEVATIONS AND FLOOR PLANS TO VERIFY PLATE AND HEEL HEIGHTS
- R-5 MOVE ALL VENTS AND OTHER ROOF PENETRATIONS TO REAR

NOTE!
ANCHOR GIRDER TRUSSES TO HEADER WITH 2 "SIMPSON" LGT2, 3 OR 4,
ANCHOR HEADER TO KING STUDS W/ 2 "SIMPSON" ST22 EA. END - TYP., T.O.

NOTE!
SHEATH ROOF W/ 1/2" CDX PLYWOOD PLACED W/ LONG DIMENSION PERPENDICULAR TO THE ROOF TRUSSES, SECURE TO FRAMING W/ 8d NAILS - AS PER DETAIL ON SHEET SD.4

NOTE!
THE DESIGN WIND SPEED FOR THIS PROJECT IS 130 MPH PER FBC 1609 AND LOCAL JURISDICTION REQUIREMENTS

GENERAL TRUSS NOTES:

1. TRUSSES SHALL BE DESIGNED BY A LICENSED ENGINEER, AND IN ACCORDANCE WITH THE REQUIREMENTS OF THE "NATIONAL FOREST PRODUCTS ASSOCIATION" MANUAL FOR "STRESS RATED LUMBER AND ITS CONNECTIONS", LATEST ED., ALONG W/ THE "TRUSS PLATE INSTITUTE" SUGGESTED GUIDELINES FOR TEMPORARY AND PERMANENT BRACING, AND HANDLING OF TRUSSES. TRUSS SHOP DRAWINGS SHALL INCLUDE TRUSS DESIGN, PLACEMENT PLANS, DETS, & TRUSS TO TRUSS CONNECTIONS.
2. TRUSS SHOP DRAWINGS SHALL BE SIGNED & SEALED BY THE DESIGNING ENGINEER.
3. FOLLOWING DEVELOPMENT OF TRUSS SHOP DRAWINGS, ADJUSTMENTS TO THE ANCHOR REQUIREMENTS MAY BE REQUIRED DEPENDING ON THE ENGINEERED GRAVITY AND WIND UPLIFT REQUIREMENTS OF TRUSSES OR GIRDERS. THE CONTRACTOR SHALL MAKE AVAILABLE A COMPLETE SET OF TRUSS SHOP DRAWINGS TO THE ARCHITECT FOR THE PURPOSE OF REVIEW OF LOADS IMPOSED ON THE BALANCE OF THE STRUCTURE. ANY SUCH REQUIRED CHANGE SHALL BE INCORPORATED INTO THE CONSTRUCTION OF THIS STRUCTURE.

NOTE!
ALL PENETRATIONS OF THE TOP PLATE OF ALL LOAD BEARING WALLS SHALL BE SEALED WITH FIRE RETARDANT CAULKING, INCLUDING WIRING, PLUMBING OR OTHER SUCH PENETRATIONS. WALLS OVER 8'-0" TALL SHALL HAVE CONTINUOUS BLOCKING TO LIMIT CAVITY HEIGHT TO 8'-0". PENETRATIONS THROUGH SUCH BLOCKING SHALL BE TREATED IN THE SAME MANNER AS TOP PLATES, NOTED ABOVE

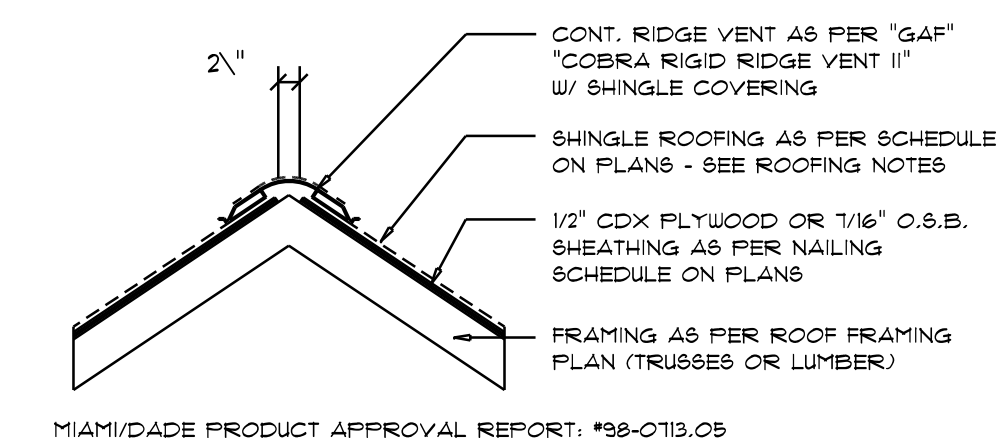
STANDARD HEADER SCHEDULE

- 0'-0" UP TO 6'-0" OPENINGS**
DOUBLE 2x8 No.2 SOUTHERN PINE WITH 1/2" OSB SOLID CONTINUOUS SPACER GLUED AND NAILED WITH 10d x 0.128" x 3" NAILS IN 2 ROWS @ 12" O.C. STAGGERED EACH SIDE WITH 1 - SIMPSON M5TA15 TOP AND 1 - SIMPSON SP4R BOTTOM EACH SIDE OF OPENING WITH 1 - HEADER STUD AND 2 FULL HEIGHT STUDS EACH SIDE OF OPENING
- 6'-0" UP TO 9'-0" OPENINGS**
DOUBLE 2x12 No.2 SOUTHERN PINE WITH 1/2" OSB SOLID CONTINUOUS SPACER GLUED AND NAILED WITH 10d x 0.128" x 3" NAILS IN 2 ROWS @ 12" O.C. STAGGERED EACH SIDE WITH 1 - SIMPSON M5TA24 TOP AND 2 - SIMPSON SP4R BOTTOM EACH SIDE OF OPENING WITH 1 - HEADER STUD AND 2 FULL HEIGHT STUDS EACH SIDE OF OPENING
- 9'-0" UP TO 16'-0" OPENINGS**
DOUBLE 2x12 No.2 SOUTHERN PINE WITH 1/2" OSB SOLID CONTINUOUS SPACER GLUED AND NAILED WITH 10d x 0.128" x 3" NAILS IN 2 ROWS @ 12" O.C. STAGGERED EACH SIDE WITH 3 - SIMPSON M5TA15 EACH SIDE OF OPENING WITH 2 - HEADER STUDS AND 3 FULL HEIGHT STUDS EACH SIDE OF OPENING
- 16'-0" GARAGE DOOR OPENINGS**
2 PLY 1 3/4" x 11 1/8" 2.0E MICROLAMM LVL HEADER GLUED AND NAILED WITH 10d x 0.128" x 3" NAILS IN 2 ROWS @ 12" O.C. STAGGERED EACH SIDE WITH 3 - SIMPSON M5TA15 EACH SIDE OF OPENING WITH 2 - HEADER STUDS AND 3 FULL HEIGHT STUDS EACH SIDE OF OPENING

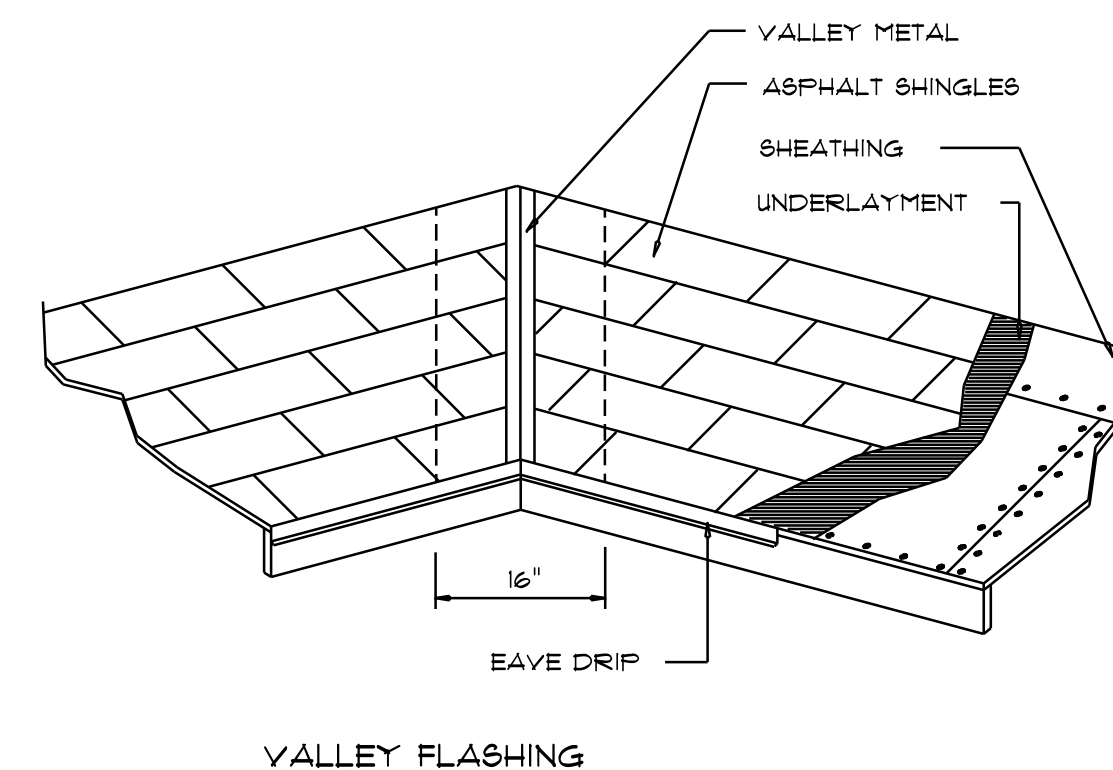
WOOD STRUCTURAL NOTES

1. TEMPORARY BRACING OF THE STRUCTURE DURING ERECTION, REQUIRED FOR SAFE AND STABLE CONSTRUCTION, SHALL BE THE SOLE RESPONSIBILITY OF THE CONTRACTOR SO ENGAGED. TEMPORARY & PERMANENT BRACING OF ROOF TRUSSES SHALL BE AS PER THE STANDARD GUIDELINES OF THE "TRUSS PLATE INSTITUTE".
2. ALL TRUSSES SHALL BE DESIGNED BY A LICENSED PROFESSIONAL ENGINEER & SHALL BE SIGNED AND SEALED BY SAME. TRUSS DESIGN SHALL INCLUDE PLACEMENT PLANS, TRUSS DETAILS, TRUSS TO TRUSS CONNECTIONS & THE STANDARD SPECIFICATIONS & RECOMMENDATIONS OF INSTALLATION OF THE "TRUSS PLATE INSTITUTE".
3. WOOD STUDS IN EXTERIOR WALLS & INTERIOR BEARING WALLS SHALL BE NOT LESS THAN No.2 HEM-FIR OR BETTER.
4. CONNECTORS FOR WOOD FRAMING SHALL BE GALVANIZED METAL OR BLACK METAL AS MANUFACTURED OR AS CALLED FOR IN THE PLANS AND BE OF A DESIGN SUITABLE FOR THE LOADS AND USE INTENDED. REFER TO THE JOINT REINFORCEMENT SCHEDULE FOR PRINCIPLE CONNECTIONS.

AREA OF ATTIC	REQ'D L.F. OF VENT	NET FREE AREA OF INTAKE
1600 SF	20 LF	410 SQ.IN.
1900 SF	24 LF	490 SQ.IN.
2200 SF	28 LF	570 SQ.IN.
2500 SF	32 LF	650 SQ.IN.
2800 SF	36 LF	730 SQ.IN.
3100 SF	40 LF	820 SQ.IN.
3600 SF	44 LF	900 SQ.IN.



Ridge Vent DETAIL
SCALE: 3/4" = 1'-0"



VALLEY FLASHING

ROOFING METALS for FLASHING/ROOFING
MINIMUM THICKNESS REQUIREMENTS

MATERIAL	MINIMUM THICKNESS (in.)	GAGE	WEIGHT (OZ.)
COPPER			16
ALUMINUM	0.024		
STAINLESS STEEL		28	
GALVANIZED STEEL	0.0175	26 (ZINC COATED G90)	
ZINC ALLOY LEAD PAINTED TERNE	0.021		40

Roofing/Flashing DETS.
SCALE: NONE

REVISIONS

1	11/11/2025	
---	------------	--

CUSTOM HOME FOR:
GARDNER RESIDENCE
COLUMBIA COUNTY, FL

N3
NICHOLAS PAUL GEISLER ARCHITECT
1758 NW Eglow Rd.
Lake City, FL 32055
(386) 755-5021
N.C.A.R.B. Certified

SHEET NUMBER
S.2
OF 4 SHEETS

AR0007005

THIS DOCUMENT HAS BEEN DIGITALLY SIGNED AND SEALED. PRINTED COPIES OF THIS DOCUMENT ARE NOT CONSIDERED SIGNED AND SEALED. THE SIGNATURE MUST BE VERIFIED ON ANY ELECTRONIC COPIES OF THIS DOCUMENT.