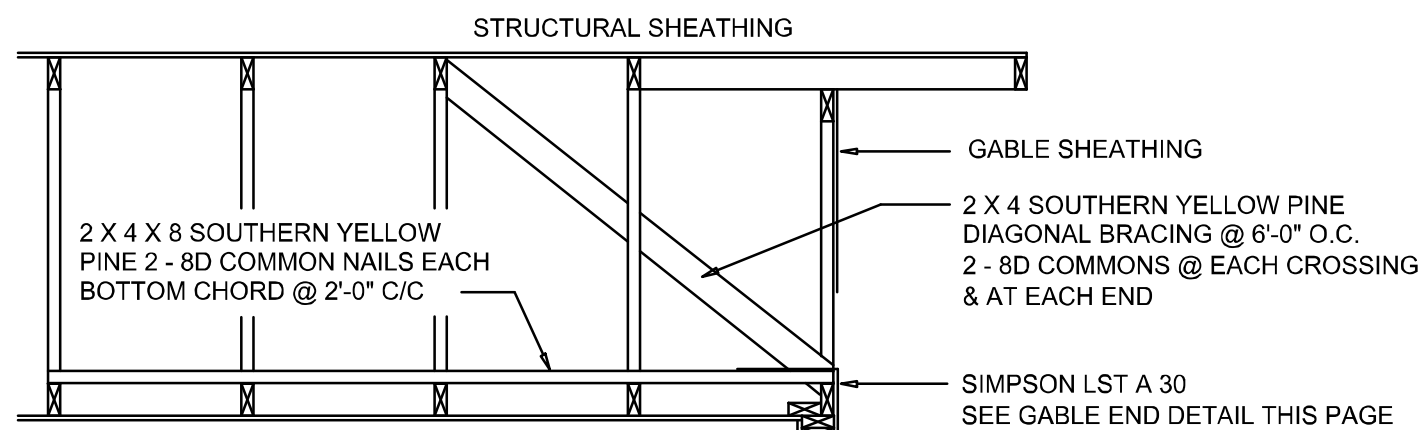


**GABLE END GYPSUM DIAPHRAGM
HOLDOWN CONNECTOR**

SCALE: NONE

A.1



**END WALL BRACING FOR
CEILING DIAPHRAGM**

NTS (ALTERNATIVE TO BALLOON FRAMING)

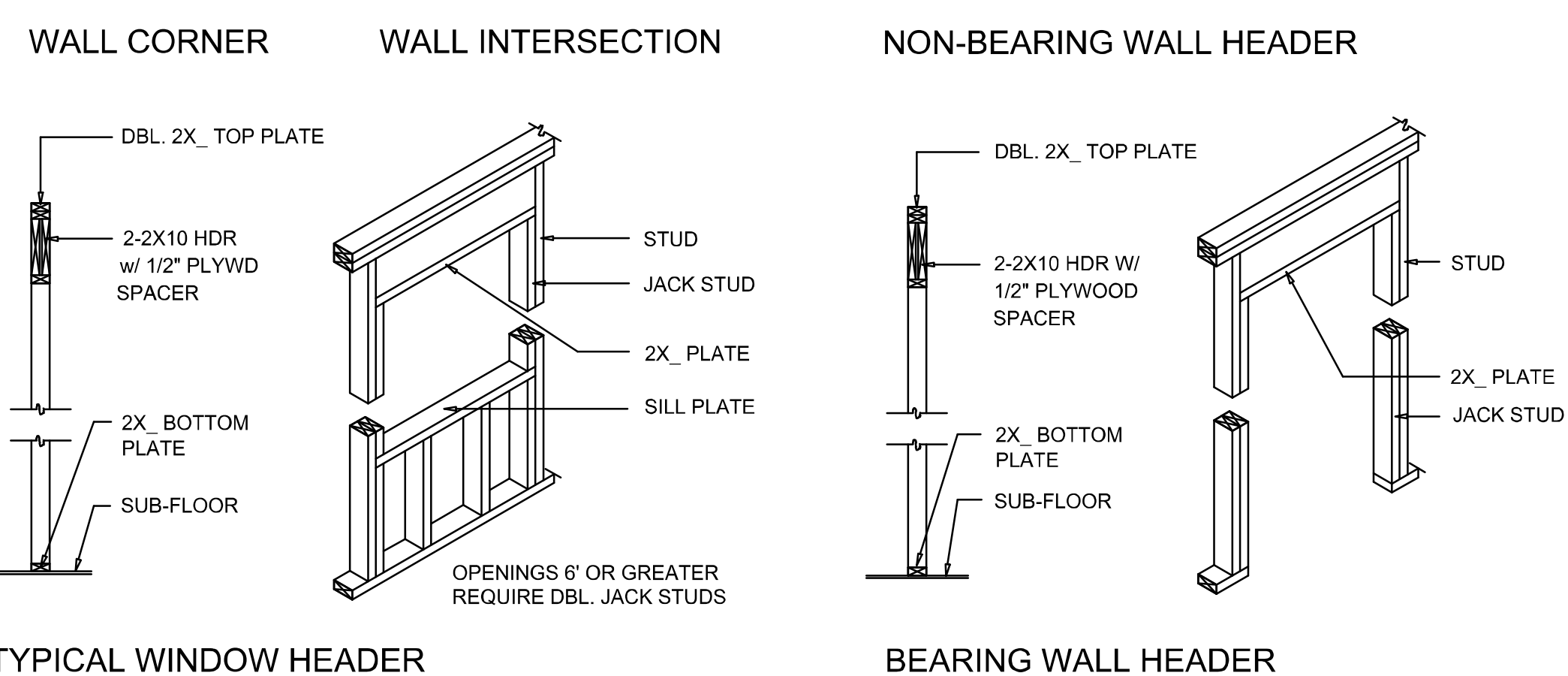
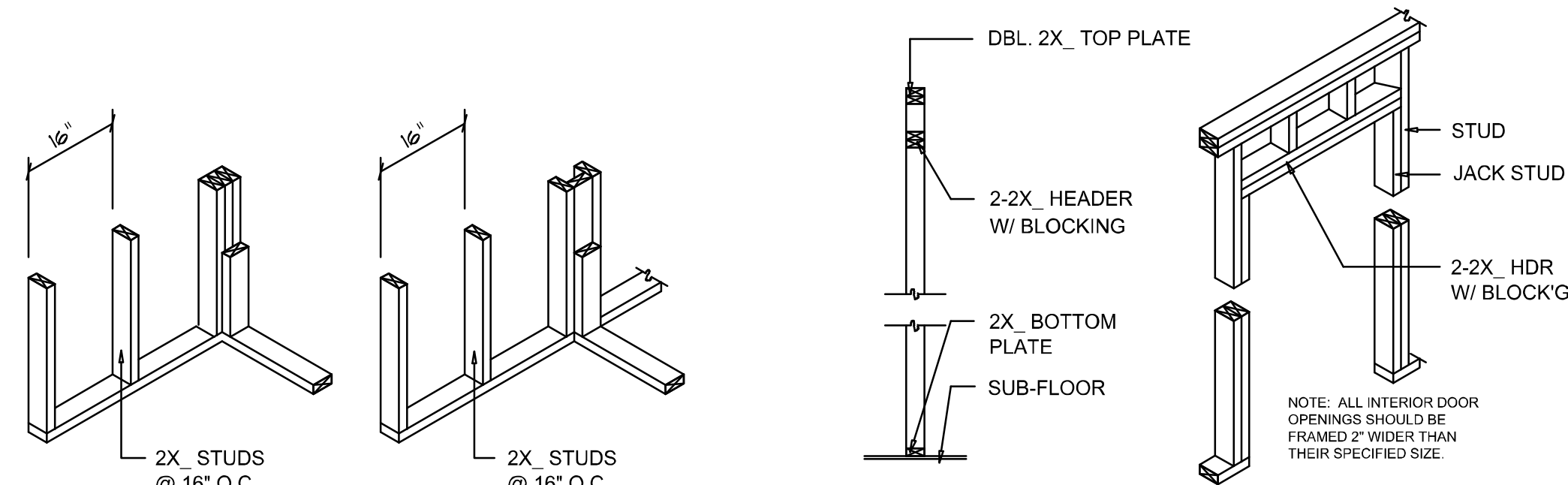
NOTE: ALL WOOD TO BE NUMBER 2 GRADE SOUTHERN YELLOW PINE

A

BUILDING COMPONENTS & CLADDING LOADS
MEAN BUILDING HEIGHT + 30.0', EXPOSURE "B"
ROOF ANGLE 21° TO 45°

ZONE	AREA	Vult 15 MPH		Vult 20 MPH		Vult 30 MPH		Vult 40 MPH	
		Pos	Neg	Pos	Neg	Pos	Neg	Pos	Neg
1	10	10.2	-28.1	11.1	-29.1	13	-30	15.1	-31.7
1	20	10	-18	10	-19.6	11.3	-20	13.1	-26.7
1	30	10	-14	10	-14.9	10	-15.2	10.9	-20.2
1	100	10	-12.7	10	-13.8	10	-14.2	10	-18.8
2	10	10.2	-28.2	11.1	-29.2	13	-30.1	15.1	-31.8
2	20	10	-18.1	10	-19.6	11.3	-20.4	13.1	-26.8
2	30	10	-14.3	10	-14.9	10	-15.2	10.9	-20.2
2	100	10	-11.9	10	-12.9	10	-13.1	10	-17.6
3	10	10.2	-27.7	11.1	-28.6	13	-29.1	15.1	-31.1
3	20	10	-18.6	10	-19.7	11.3	-20.4	13.1	-26.4
3	30	10	-14.3	10	-14.9	10	-15.2	10.9	-20.2
3	100	10	-12.7	10	-13.8	10	-14.2	10	-18.2
4	10	14.3	-45.5	15.5	-48.9	18.2	-53.8	21.2	-59.8
4	20	13.6	-14.8	14.8	-16.1	17.4	-19	20.2	-22
4	30	12.8	-14	13.9	-15.2	16.3	-17.9	18	-20.7
4	100	12.1	-11.9	13.2	-13.6	15.2	-17.4	16	-19.8
5	10	14.3	-45.5	15.5	-48.9	18.2	-53.8	21.2	-59.8
5	20	13.6	-17.8	14.8	-19.4	17.4	-22.8	20.2	-26.4
5	30	12.8	-16.1	13.9	-17.6	16.3	-20.6	18	-23.9
5	100	12.1	-14.8	13.2	-16.1	15.2	-19	18	-22
5	500	10.8	-11.9	11.6	-12.9	13.5	-15.1	15.8	-17.6

ZONE	AREA	Vult 15 MPH		Vult 20 MPH		Vult 30 MPH		Vult 40 MPH	
		Pos	Neg	Pos	Neg	Pos	Neg	Pos	Neg
1	10	10.2	-28.1	11.1	-29.1	13	-30	15.1	-31.7
1	20	10	-18	10	-19.6	11.3	-20	13.1	-26.7
1	30	10	-14	10	-14.9	10	-15.2	10.9	-20.2
1	100	10	-12.7	10	-13.8	10	-14.2	10	-18.8
2	10	10.2	-28.2	11.1	-29.2	13	-30.1	15.1	-31.8
2	20	10	-18.1	10	-19.6	11.3	-20.4	13.1	-26.8
2	30	10	-14.3	10	-14.9	10	-15.2	10.9	-20.2
2	100	10	-11.9	10	-12.9	10	-13.1	10	-17.6
3	10	10.2	-27.7	11.1	-28.6	13	-29.1	15.1	-31.1
3	20	10	-18.6	10	-19.7	11.3	-20.4	13.1	-26.4
3	30	10	-14.3	10	-14.9	10	-15.2	10.9	-20.2
3	100	10	-12.7	10	-13.8	10	-14.2	10	-18.2
4	10	14.3	-45.5	15.5	-48.9	18.2	-53.8	21.2	-59.8
4	20	13.6	-14.8	14.8	-16.1	17.4	-19	20.2	-22
4	30	12.8	-14	13.9	-15.2	16.3	-17.9	18	-20.7
4	100	12.1	-11.9	13.2	-13.6	15.2	-17.4	16	-19.8
5	10	14.3	-45.5	15.5	-48.9	18.2	-53.8	21.2	-59.8
5	20	13.6	-17.8	14.8	-19.4	17.4	-22.8	20.2	-26.4
5	30	12.8	-16.1	13.9	-17.6	16.3	-20.6	18	-23.9
5	100	12.1	-14.8	13.2	-16.1	15.2	-19	18	-22
5	500	10.8	-11.9	11.6	-12.9	13.5	-15.1	15.8	-17.6



Wall Framing/Header DETAILS

SCALE: NONE

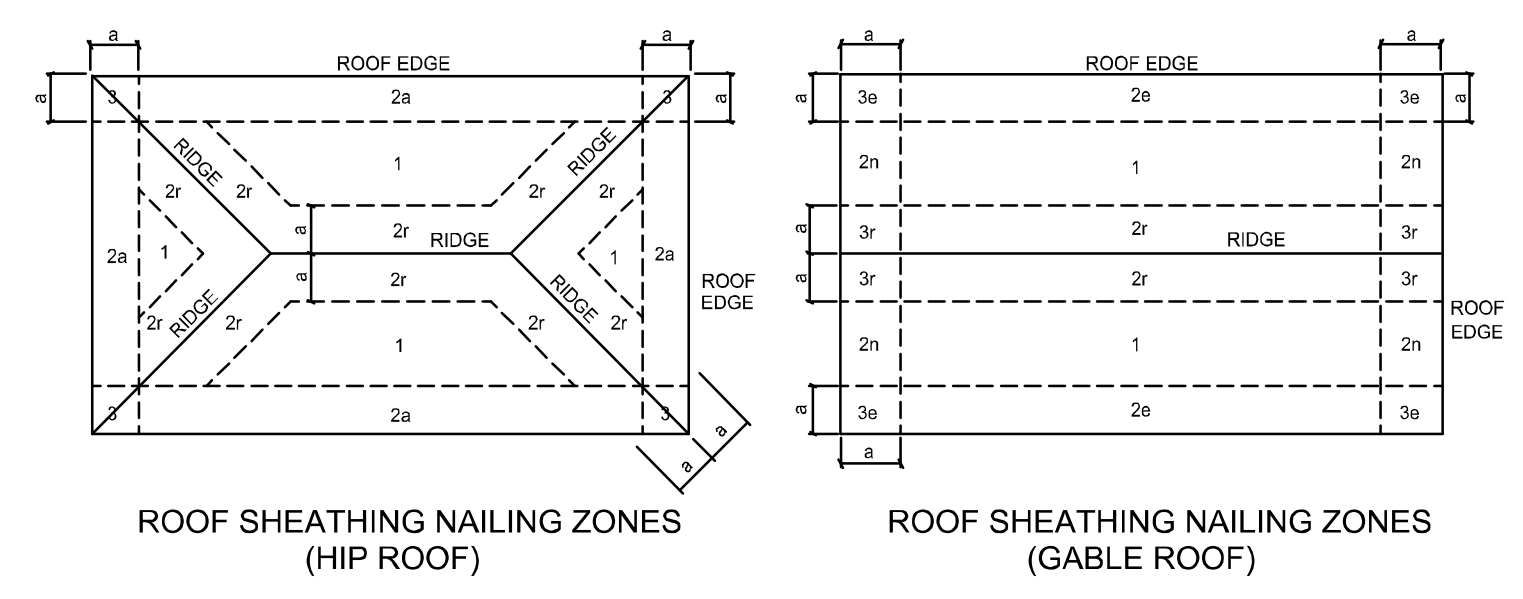
F

ROOF SHEATHING FASTENINGS

NAILING ZONE	SHEATHING TYPE	FASTENER	SPACING
1			6 in. o.c. EDGE 6 in. o.c. FIELD
2			4 in. o.c. EDGE 6 in. o.c. FIELD
3	7/16" O.S.B. OR 1/2" CDX PLYWOOD	10d RING SHANK	4 in. o.c. @ GABLE ENDWALL OR GABLE TRUSS 6 in. o.c. EDGE 6 in. o.c. FIELD

**HEIGHT & EXPOSURE ADJUSTMENT COEFFICIENTS
FOR BUILDING COMPONENTS & CLADDING**

BLDG HEIGHT (ft.)	EXPOSURE "B"	EXPOSURE "C"	EXPOSURE "D"
15	.82	1.21	1.41
20	.89	1.29	1.55
25	.94	1.35	1.61
30	1.00	1.40	1.66



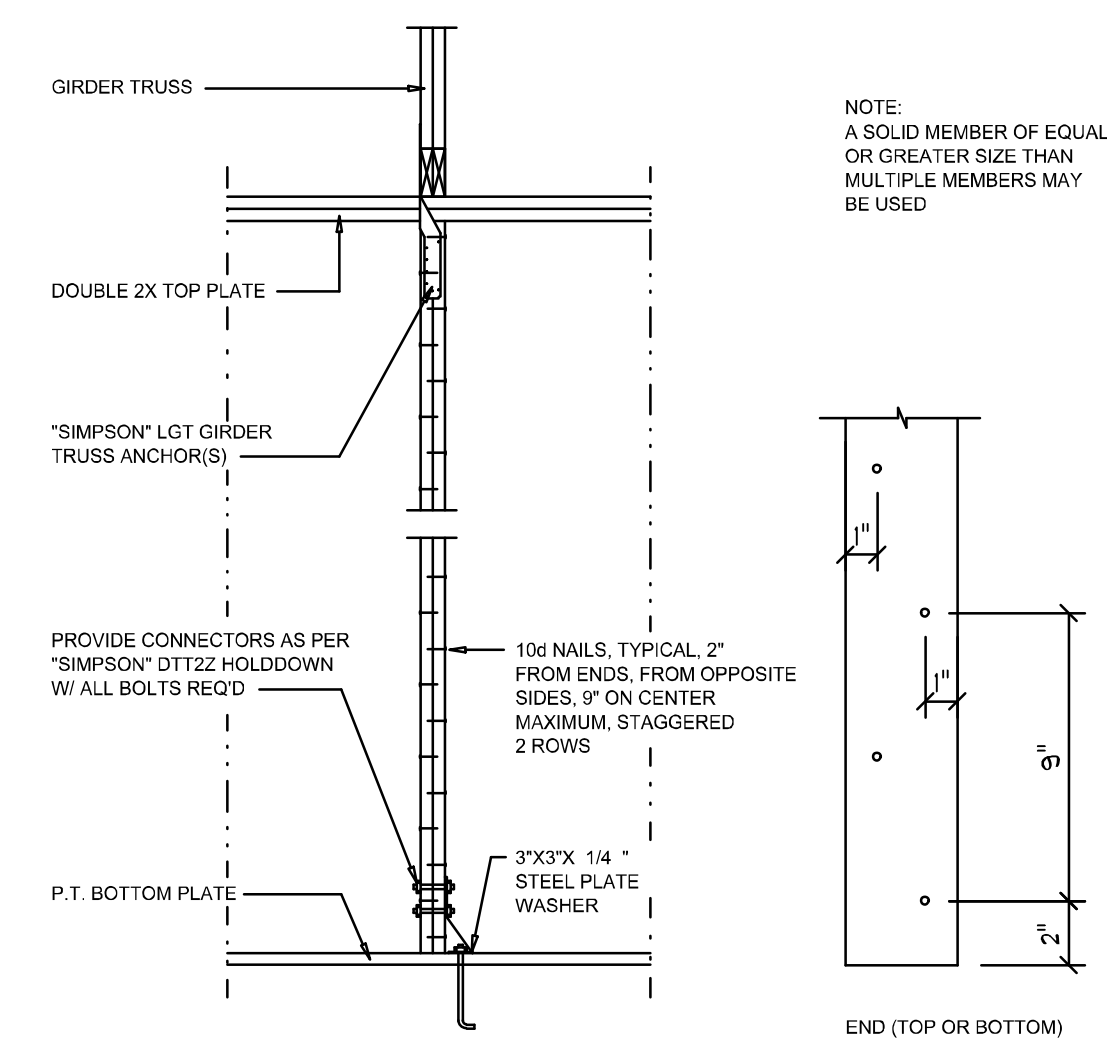
Roof Nail Pattern DET.

SCALE: NONE

B

HEADER SPANS FOR EXTERIOR BEARING WALLS

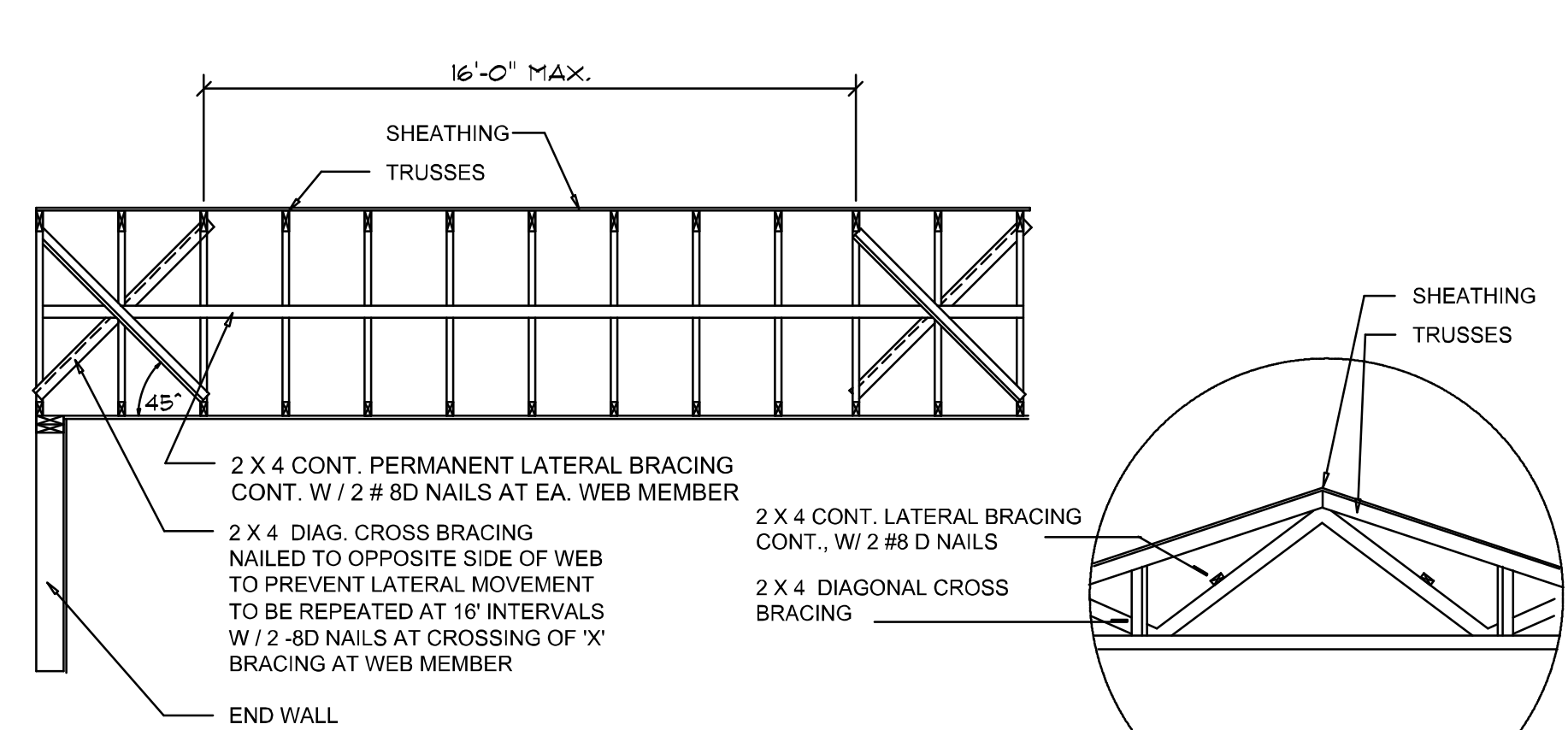
HEADERS SUPPORTING:	HEADER SIZE	BUILDING WIDTH (FT)			
		20'		36'	
		SPAN	# JACKS	SPAN	# JACKS
ROOF, CEILING	2-2x4	3'-6"	1	3'-2"	1
	2-2x6	5'-5"	1	4'-8"	1
	2-2x8	6'-10"	1	5'-11"	2
	2-2x10	8'-5"	2	7'-3"	2
	2-2x12	9'-9"	2	8'-5"	2
	3-2x8	8'-4"	1	7'-5"	1
	3-2x10	10'-6"	1	9'-1"	2
	3-2x12	12'-2"	2	10'-7"	2
	4-2x8	9'-2"	1	8'-4"	1
	4-2x10	11'-8"	1	10'-6"	1
	4-2x12	14'-1"	1	12'-2"	2



Girder Truss Column DET.

SCALE: 1/2" = 1'-0"

C



TYP. PERMANENT TRUSS BRACING DIA.

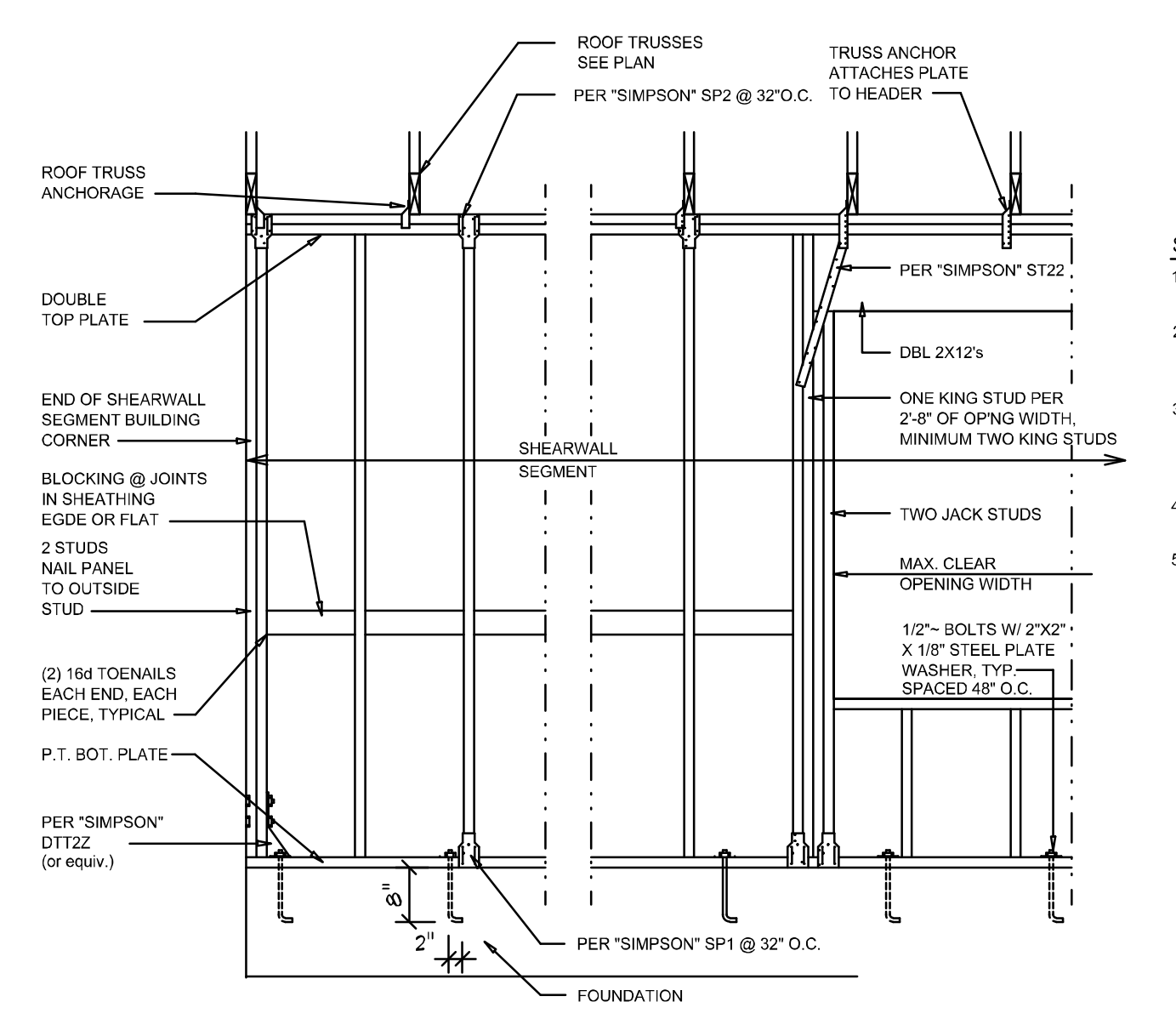
NTS

NOTE: ALL WOOD TO BE NUMBER 2 GRADE SOUTHERN YELLOW PINE

Truss Bracing DETAILS

SCALE: AS NOTED

D



- SHEARWALL NOTES:**
- ALL SHEARWALLS SHALL BE TYPE 2 SHEARWALLS AS DEFINED BY STD 10-97 SBC01 305.4.3.
 - THE WALL SHALL BE ENTIRELY SHEATHED WITH 7/16" O.S.B. INCLUDING AREAS ABOVE AND BELOW OPENINGS
 - ALL SHEATHING SHALL BE ATTACHED TO FRAMING ALONG ALL FOUR EDGES WITH JOINTS FOR ADJACENT PANELS OCCURRING OVER COMMON FRAMING MEMBERS OR ALONG BLOCKING.
 - NAIL SPACING SHALL BE 4" O.C. EDGES AND 8" O.C. IN THE FIELD.
 - TYPE 2 SHEARWALLS ARE DESIGNED FOR THE OPENING IT CONTAINS. MAXIMUM HEIGHT OF OPENING SHALL BE 5/8 TIMES THE WALL HEIGHT. THE MINIMUM DISTANCE BETWEEN OPENINGS SHALL BE THE WALL HEIGHT/3 FOR 8'-0" WALLS (2'-3").

OPENING WIDTH	SILL PLATES	16d TOE NAILS EACH END
UP TO 6'-0"	(1) 2x4 OR (1) 2x6	1
> 6' TO 9'-0"	(3) 2x4 OR (1) 2x6	2
> 9' TO 12'-0"	(5) 2x4 OR (2) 2x6	3

Shear Wall DETAILS

SCALE: NONE

E