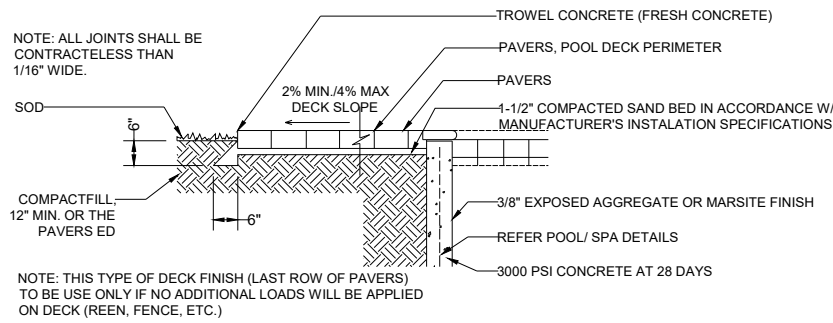
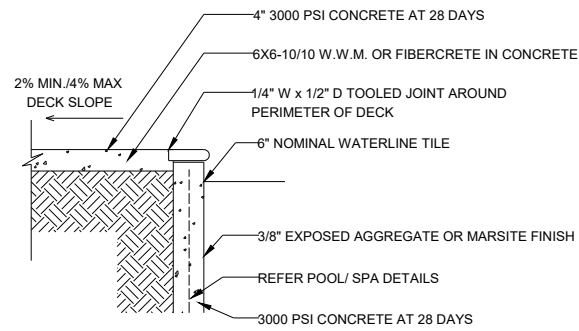


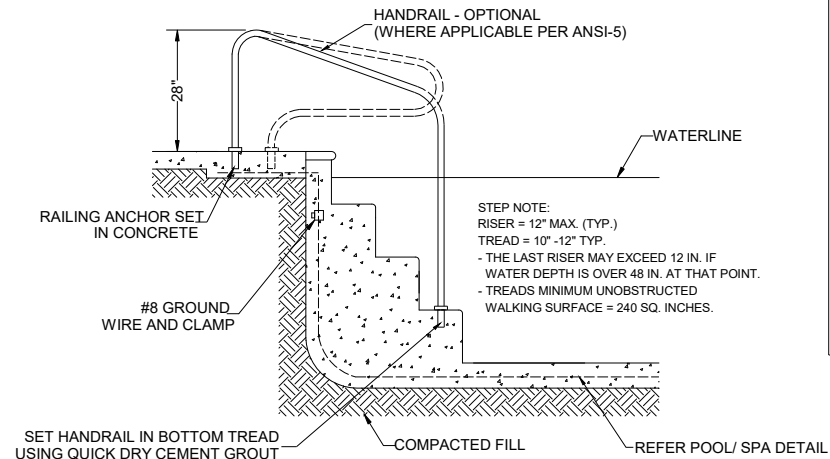
DECK OPTIONS



INTERLOCKING PAVERS, FOOTING AND TYP. DECK DETAIL



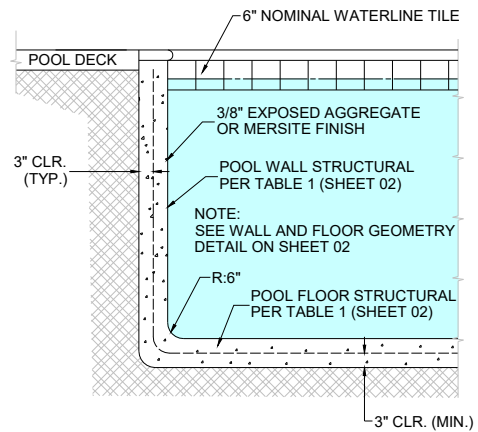
POOL/ SPA CONC. DECK (TYP.) DETAIL



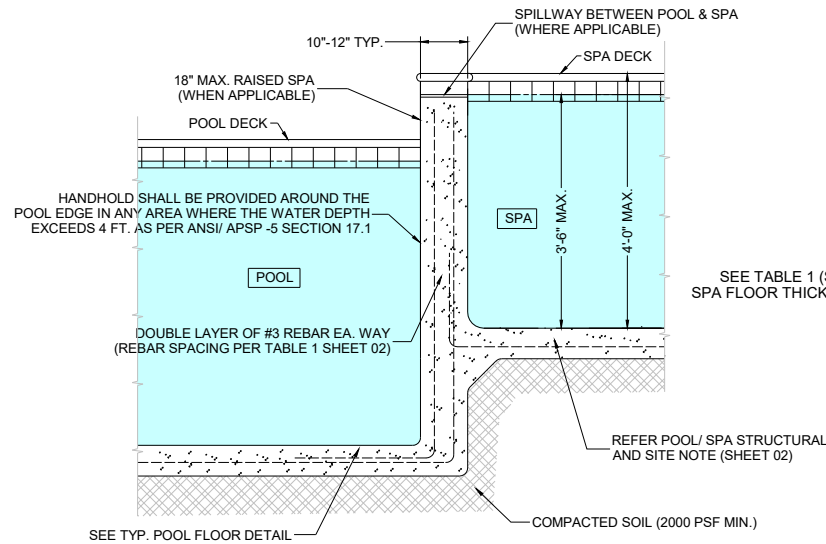
POOL STAIRS (TYP.) DETAIL

This item has been digitally signed and sealed by Richard E. Walker, P.E. on the date adjacent to the seal. Printed copies of this document are not considered signed and sealed and the signature must be verified on any electronic copies.

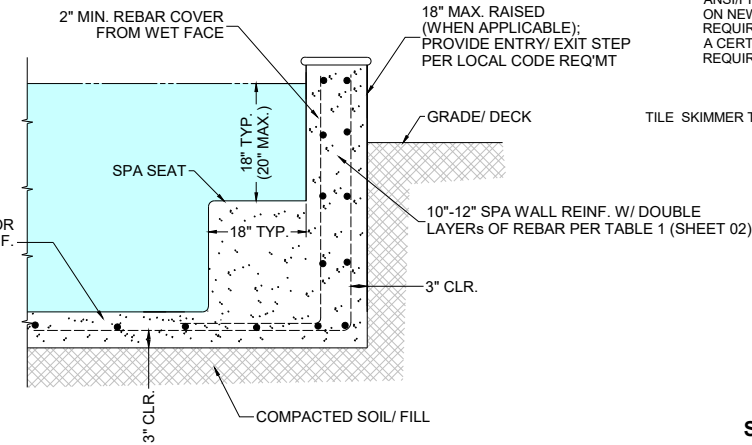
HANDHOLD SHALL BE PROVIDED AROUND THE POOL EDGE IN ANY AREA WHERE THE WATER DEPTH EXCEEDS 4 FT. AS PER ANSI/ APSP -5 SECTION 17.1



TYPICAL POOL WALL AND FLOOR DETAIL

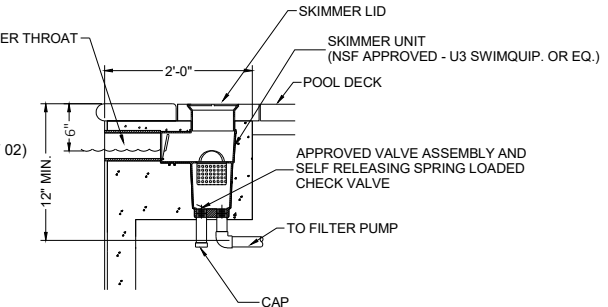


POOL-SPA SECTION TYPICAL DETAIL

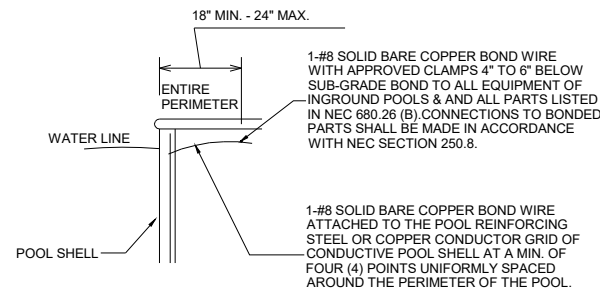


TYPICAL SPA SECTION DETAIL

- WHEN MAIN DRAINS ARE NOT INCLUDED, THE SKIMMER OR SURFACE OVERFLOW MUST BE HYDRAULICALLY DESIGNED TO THE MAXIMUM FLOW RATE OF THE POOL. SKIMMERS SHALL BE VENTED TO ATMOSPHERE THROUGH OPENINGS IN THE LID, OR THROUGH A SEPARATE VENT PIPE, DESIGNED IN ACCORDANCE WITH ANSI/PHTA/ICC -7 SECTION 4.5. SKIMMER EQUALIZER LINES SHALL NOT BE USED ON NEW CONSTRUCTION. EXISTING EQUALIZER(S) SOFAS SHALL COMPLY WITH ALL REQUIREMENTS OF ANSI/APSP/ICC-7. INCLUDING THE PROPER INSTALLATION OF A CERTIFIED SOFA. IF SKIMMER EQUALIZER LINES DO NOT COMPLY WITH THESE REQUIREMENTS, THEY SHALL BE CAPPED OFF OR REMOVED.

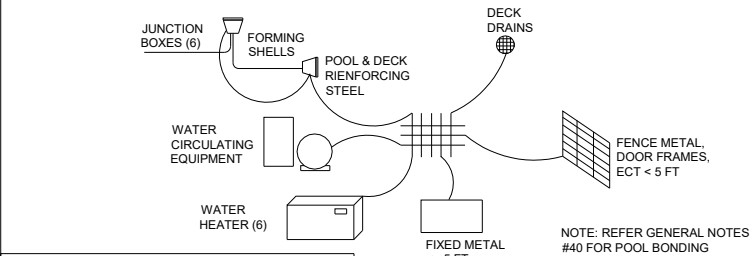


SKIMMER DETAIL (N.T.S.)

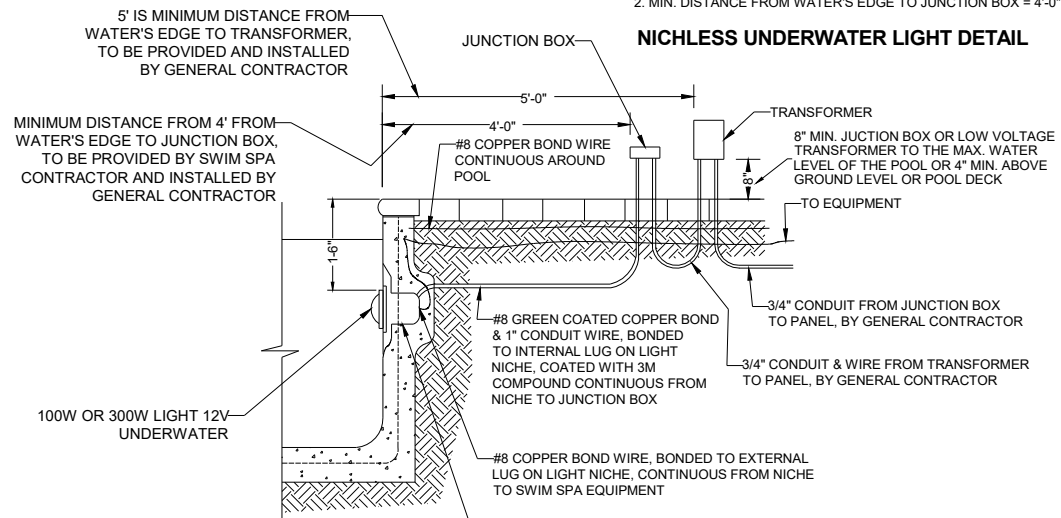


EQUIPOTENTIAL BONDING DETAIL (2020 NEC SEC 680.26 (B) 2(b))

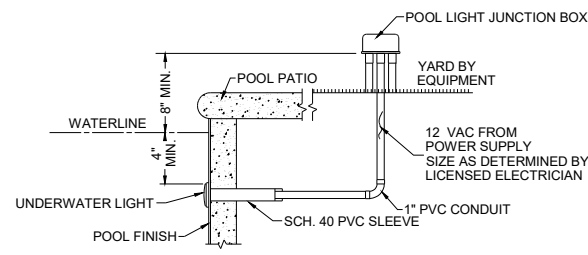
COMMON BONDING GRID PERMITTED TO BE:
 - STRUCTURAL REINFORCING STEEL RODS THAT ARE BONDED TOGETHER
 - SOLID COPPER CONDUCTOR NO. 8 OR LARGER
 AS PER NEC 680.26 (B) (1) EQUIPOTENTIAL BONDING: POURED CONCRETE, PNEUMATICALLY APPLIED OR SPRAYED CONCRETE AND CONCRETE BLOCK WITH PAINTED OR PLASTERED COATINGS SHALL ALL BE CONSIDERED CONDUCTIVE MATERIALS DUE TO WATER PERMEABILITY AND POROSITY.



EQUIPOTENTIAL BONDING DETAIL

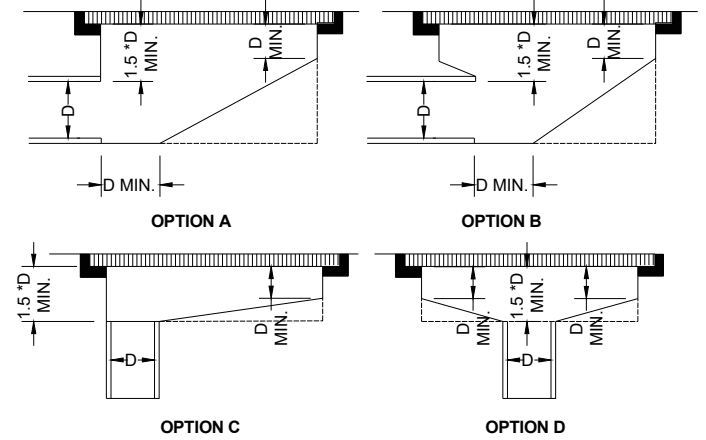


POOL (NICHE) LIGHT & EQUIPOTENTIAL BONDING

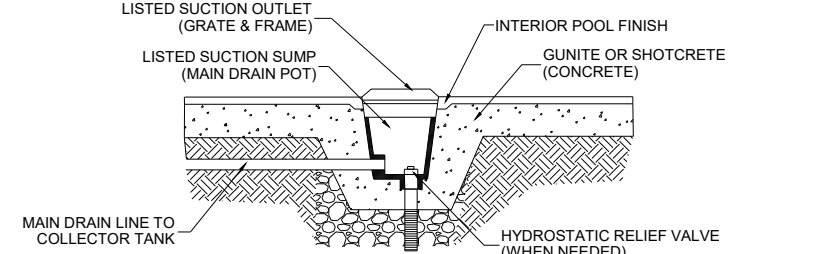


NOTE:
 1. MIN. DISTANCE FROM WATER'S EDGE TO TRANSFORMER = 5'-0\"/>

NICHLESS UNDERWATER LIGHT DETAIL

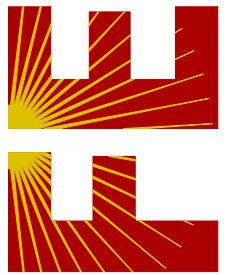


GENERAL NOTES:
 (a) D= INSIDE DIAMETER OF PIPE
 (b) ALL DIMENSIONS SHOWN ARE MINIMUMS
 (c) A BROKEN LINE (---) INDICATES SUGGESTED STP CONFIGURATION



TYPICAL SUCTION OUTLET MAIN DRAIN - FRAME, GRATE & POT DETAIL

FLORIDA ENGINEERING LLC
 4161 TAMiami TRAIL, UNIT 101
 PORT CHARLOTTE, FLORIDA 33952



PROJECT NO. 2604780

CONTRACTOR:
HYDRO FUN POOLS LLC
 310 SW DEER RUN DR
 FORT WHITE, FL 32038

PROJECT ADDRESS:
BARNARD
 201 HERMITAGE GLN,
 HIGH SPRINGS, FLORIDA, 32643

DESIGN DATE:	02/17/2026
REVISION 1:	DATE
REVISION 2:	DATE
DRAWN BY:	GE-RJ
SCALE:	NTS

Orders@FLEng.com
 (941) 391-5980

CA CERT. #30782

SHEET :
03