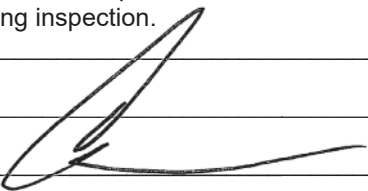


COLUMBIA COUNTY PRODUCT APPROVAL SPECIFICATION SHEET

As required by Florida Statute 553.842 and Florida Administrative Code 9B-72, please provide the information and approval numbers on the building components listed below if they will be utilized on the construction project for which you are applying for a building permit. We recommend you contact your local product supplier should you not know the product approval number for any of the applicable listed products. Statewide approved products are listed online at www.floridabuilding.org.

Category/Subcategory	Manufacturer	Product Description	Approval Number(s)
1. EXTERIOR DOORS			
A. SWINGING			
B. SLIDING			
C. SECTIONAL/ROLL UP			
D. OTHER			
2. WINDOWS			
A. SINGLE/DOUBLE HUNG	CGI	Single Hung Window	38618.2
B. HORIZONTAL SLIDER			
C. CASEMENT			
D. FIXED	CFI	Fixed Window	38620.2
E. MULLION			
F. SKYLIGHTS			
G. OTHER			
3. PANEL WALL			
A. SIDING			
B. SOFFITS			
C. STOREFRONTS			
D. GLASS BLOCK			
E. OTHER			
4. ROOFING PRODUCTS			
A. ASPHALT SHINGLES			
B. NON-STRUCT METAL			
C. ROOFING TILES			
D. SINGLE PLY ROOF			
E. OTHER			
5. STRUCT COMPONENTS			
A. WOOD CONNECTORS			
B. WOOD ANCHORS			
C. TRUSS PLATES			
D. INSULATION FORMS			
E. LINTELS			
F. OTHERS			
6. NEW EXTERIOR			
A. ENVELOPE PRODUCTS			

The products listed below did not demonstrate product approval at plan review. I understand that at the time of inspection of these products, the following information must be available to the inspector on the jobsite; **(1)** copy of the product approval **(2)** performance characteristics which the product was tested and certified to comply with **(3)** copy of the applicable manufacturer's installation requirements. Further, I understand these products may have to be removed if approval cannot be demonstrated during inspection.



2/27/2024

APPLICANT SIGNATURE

DATE

Plan 3 – Rev 8/15



Product Approval
USER: Public User

[Product Approval Menu](#) > [Product or Application Search](#) > **Application List**

OFFICE OF THE
SECRETARY

Search Criteria

[Refine Search](#)

Code Version	2023	FL#	38618.2
Application Type	ALL	Product Manufacturer	ALL
Category	ALL	Subcategory	ALL
Application Status	ALL	Compliance Method	ALL
Quality Assurance Entity	ALL	Quality Assurance Entity Contract Expired	ALL
Product Model, Number or Name	ALL	Product Description	ALL
Approved for use in HVHZ	ALL	Approved for use outside HVHZ	ALL
Impact Resistant	ALL	Design Pressure	ALL
Other	ALL		

Search Results - Applications

FL#	Type	Manufacturer	Validated By	Status
FL38618-R3 History	Revision	CGI Windows and Doors FL#: FL38618.2 Model: SH800V Description: Non-impact Resistant, Vinyl, Tilt-sash Single Hung Window Category: Windows Subcategory: Single Hung	Steven M. Urich, PE (717) 317-8454	Approved

*Approved by DBPR. Approvals by DBPR shall be reviewed and ratified by the POC and/or the Commission if necessary.

[Contact Us](#) :: 2601 Blair Stone Road, Tallahassee FL 32399 Phone: 850-487-1824

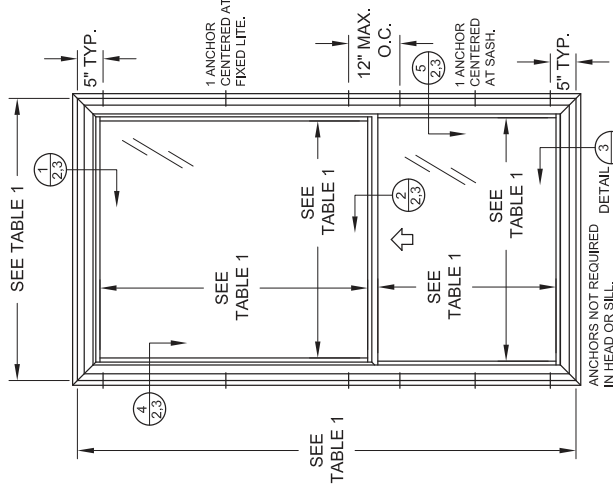
The State of Florida is an AA/EEO employer. [Copyright 2007-2013 State of Florida.](#) :: [Privacy Statement](#) :: [Accessibility Statement](#) :: [Refund Statement](#)

Under Florida law, email addresses are public records. If you do not want your e-mail address released in response to a public-records request, do not send electronic mail to this entity. Instead, contact the office by phone or by traditional mail. If you have any questions, please contact 850.487.1395. *Pursuant to Section 455.275(1), Florida Statutes, effective October 1, 2012, licensees licensed under Chapter 455, F.S. must provide the Department with an email address if they have one. The emails provided may be used for official communication with the licensee. However email addresses are public record. If you do not wish to supply a personal address, please provide the Department with an email address which can be made available to the public. To determine if you are a licensee under Chapter 455, F.S., please click [here](#).

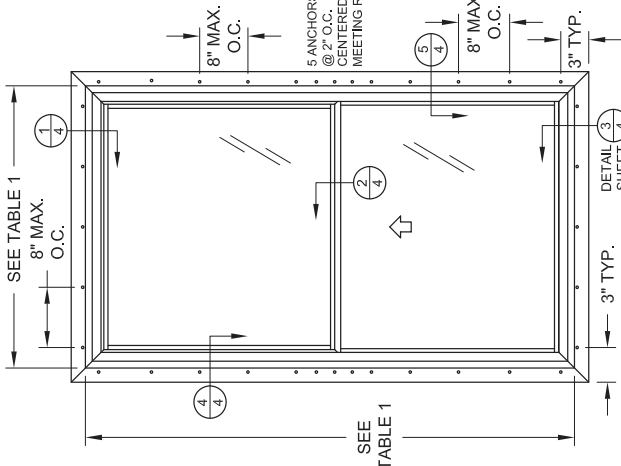
Product Approval Accepts:



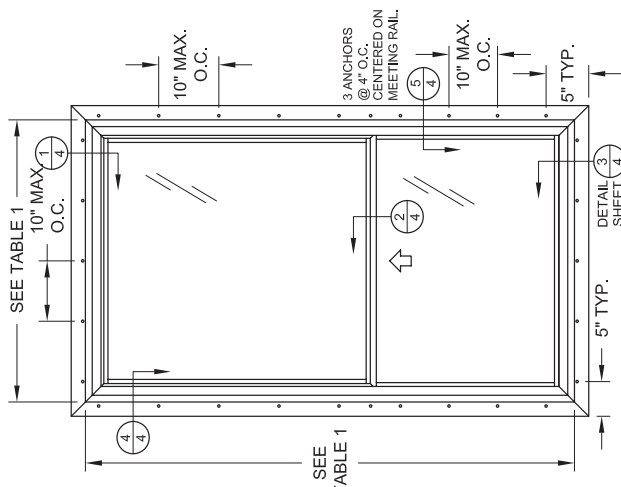
FLORIDA PRODUCT APPROVAL #38618



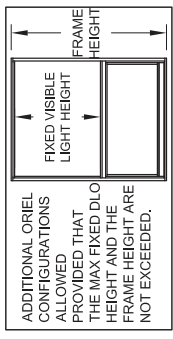
TYP. ANCHOR LOCATIONS (FLANGED FRAME SHOWN, EQUAL-LEG SIM.) (ORIEL SHOWN, EQUAL-LITE SIMILAR)



TYP. FIN ANCHOR LOCATIONS (A) (INTEGRAL FIN FRAME, EQUAL-LITE SHOWN, ORIEL SIMILAR)



TYP. FIN ANCHOR LOCATIONS (B) (INTEGRAL FIN FRAME, MAX. SIZE ORIEL CONFIG.)



SH800V SINGLE HUNG, TILT WINDOW, NON-IMPACT RESISTANT, FLANGE, EQUAL-LEG & FIN FRAMES

- THIS PRODUCT HAS BEEN DESIGNED & TESTED TO COMPLY WITH THE REQUIREMENTS OF THE FLORIDA BUILDING CODE, EXCLUDING THE HIGH VELOCITY HURRICANE ZONE (HVHZ).
- SHUTTERS ARE REQUIRED WHEN USED IN WIND-BORNE DEBRIS REGIONS.
- MASONRY ANCHORS MAY BE USED INTO WOOD. ALL WOOD BUCKS LESS THAN 1-1/2" THICK ARE TO BE CONSIDERED 1X INSTALLATIONS. 1X WOOD BUCKS ARE OPTIONAL IF UNIT IS INSTALLED DIRECTLY TO SUBSTRATE. WOOD BUCKS DEPICTED AS 2X ARE 1-1/2" THICK OR GREATER.
- ANCHOR EMBEDMENT TO BASE MATERIAL SHALL BE BEYOND WALL DRESSING OR STUCCO. USE ANCHORS OF SUFFICIENT LENGTH.
- MAX. 1/4" SHIMS ARE REQUIRED AT EACH ANCHOR LOCATION WHERE THE PRODUCT IS NOT FLUSH TO THE SUBSTRATE. USE SHIMS CAPABLE OF TRANSFERRING APPLIED LOADS.
- THE ANCHORAGE METHODS SHOWN HAVE BEEN DESIGNED TO RESIST THE WIND LOADS CORRESPONDING TO THE REQUIRED DESIGN PRESSURE. THE 33-1/3% STRESS INCREASE HAS NOT BEEN USED IN THE DESIGN OF THIS PRODUCT. THE 1.6 LOAD DURATION FACTOR WAS USED FOR THE EVALUATION OF ANCHORS INTO WOOD. ANCHORS THAT COME INTO CONTACT WITH OTHER DISSIMILAR MATERIALS SHALL MEET THE REQUIREMENTS OF THE FLORIDA BUILDING CODE FOR CORROSION RESISTANCE.
- FRAME FLANGES OR INTEGRAL FINNS MAY BE TRIMMED IN-FIELD TO CREATE AN EQUAL-LEG FRAME.

TABLE 1: DESIGN PRESSURES

Buck Width	Buck Height	Max. Sash DLO Size (Width x Height)	Max. Fixed DLO Size (Width x Height)	Configuration	Frame Type	Glass Type	Design Pressure (+) psf	Design Pressure (-) psf
54"	76"	47.25" x 34.44"	49.75" x 34.44"	Equal-Lite	All	1	50.0	50.0
36"	72"	29.25" x 32.44"	31.75" x 32.44"	Equal-Lite	All	1	65.0	75.0
48"	84"	41.25" x 38.25"	43.75" x 38.63"	Equal-Lite	Flange, Equal-Leg	1	45.0	45.0
48"	84"	41.25" x 38.25"	43.75" x 38.63"	Equal-Lite	Fin (A)	1	50.0	55.0
54"	92"	47.25" x 34.19"	49.81" x 50.75"	Oriel	Flange, Equal-Leg	2	30.0	30.0
54"	92"	47.25" x 34.19"	49.81" x 50.75"	Oriel	Fin (B)	2	40.0	40.0

FOR SIZES NOT SHOWN, ROUND UP TO THE NEXT AVAILABLE WIDTH OR HEIGHT DIMENSION. FOR GLASS TYPES, SEE SHEET 6.

DF RATING SEE TABLE 1
NON-IMPACT RESISTANT

#199
Date 08/17/23
MINOR EDITORIAL CHANGES

Prepared by A. LYNN MILLER
1070 TECHNOLOGY DRIVE
N. VENICE, FL 34275
(941) 480-1600
CGI WINDOWS AND DOORS
3780 W. 104TH STREET
HIMLEIGH, FL 33018
COPYRIGHT © 2023 CGI WINDOWS AND DOORS
LIMITED LICENSE TO MAKE COPIES FOR REGISTRATION #29296

Impact Resistant Windows & Doors

SH800V
1 OF 6
DWG No.
ELEVATION & GENERAL NOTES
Drawn By: LOGAN YODER
Date: 04/14/23
VINYL SINGLE HUNG WINDOW (NI)

ANTHONY LYNN MILLER
LICENSEE
No. 68705
08/15/23
STATE OF FLORIDA
PROFESSIONAL ENGINEER
A. LYNN MILLER, P.E.
P.E.# 58705

SH800V 2 OF 6
 Dwg No. SH800V-FPA-NI
 Desc. Title: FLANGE INSTALL SECTION VIEWS
 Drawn By: LOGAN YODER
 Date: 04/14/23
 Title: VINYL SINGLE HUNG WINDOW (NI)
 CGI WINDOWS AND DOORS
 3780 W. 104TH STREET
 HIALEAH, FL 33018
 REGISTERED PROFESSIONAL ENGINEER
 LICENSE No. 68706
 State of FLORIDA
 A. LYNN MILLER, P.E.
 P.E.# 58705
 PREPARED BY A. LYNN MILLER
 1070 TECHNOLOGY DRIVE
 N. VENICE, FL 34275
 (941) 480-1600
 REGISTRATION #29296
 COPYRIGHT © 2023 CGI WINDOWS AND DOORS
 LIMITED LICENSE TO MAKE COPIES FOR PERMITTING.

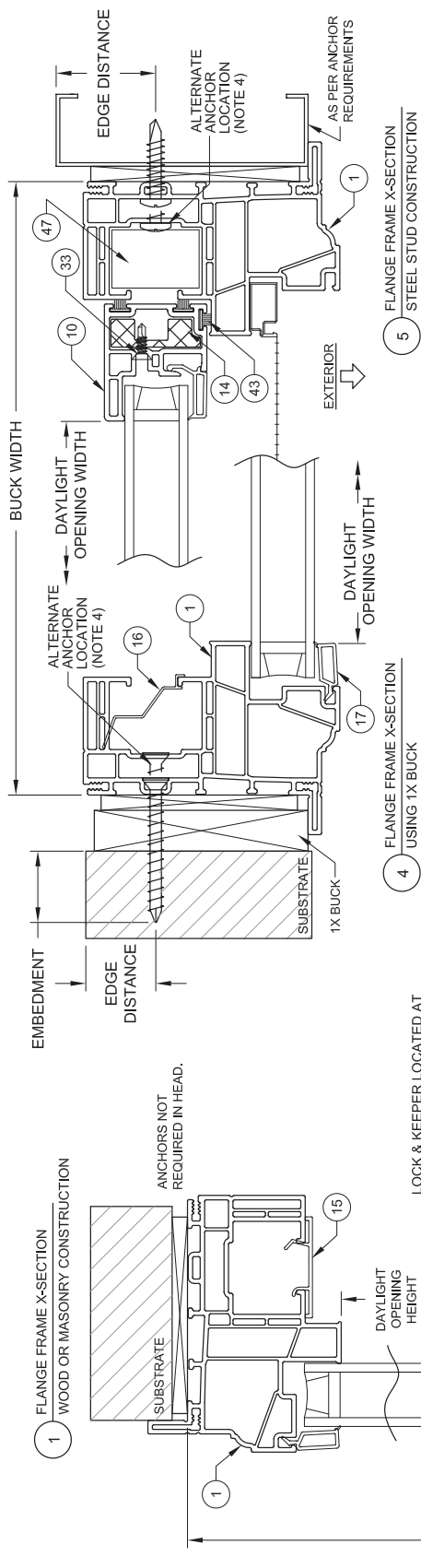
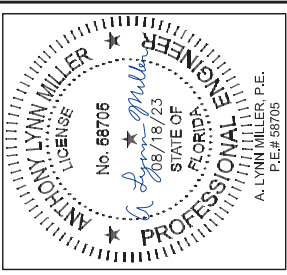


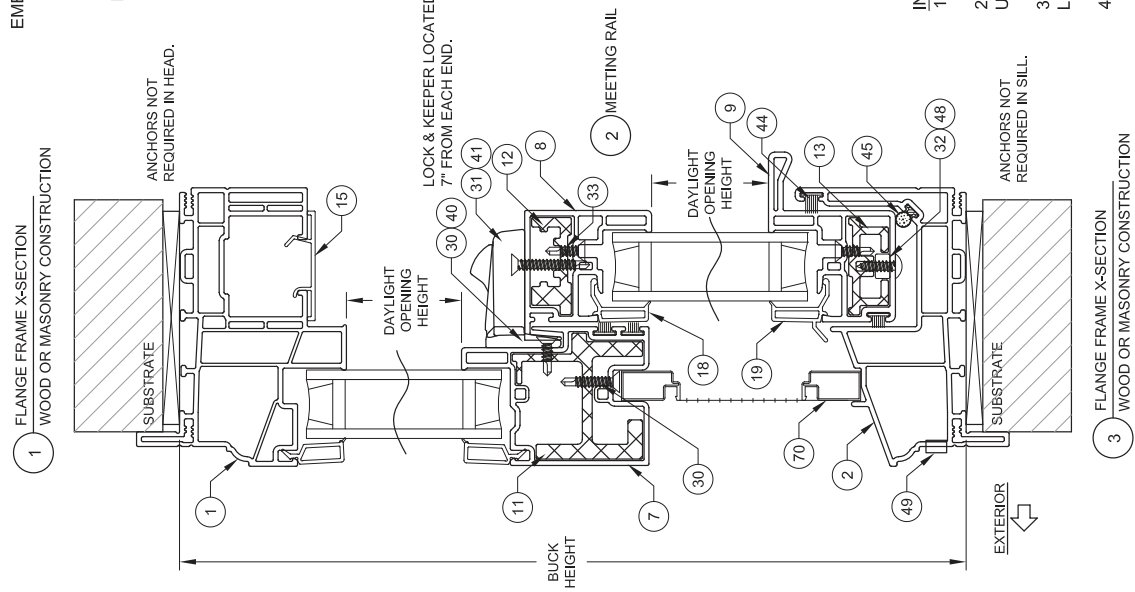
TABLE 2: INSTALLATION ANCHORS

Anchor	Substrate	Minimum Edge Distance	Minimum Embedment
#10 or #12 Steel or 410 SS Screw	Southern Pine (SG = .55)	1/2"	1-3/8"
	Aluminum, 6063-T5 min.	5/16"	0.050"
	Steel Stud, Gr. 33 min.	5/16"	0.045" (20 Ga)
3/16" Steel Ultracon+	A36 Steel	5/16"	0.050"
	Concrete (min. 2.9 ksi)	1"	1-3/4"
	UngROUTED CMU, (ASTM C-90)	1-1/16"	1-1/4"
1/4" Steel Ultracon+	Southern Pine (SG = .55)	1"	1-3/8"
	Concrete (min. 3.0 ksi)	1"	1-3/8"
	UngROUTED CMU, (ASTM C-90)	1"	1-1/4"
	Southern Pine (SG = .55)	1"	1-3/8"

- ANCHOR MUST EXTEND A MINIMUM OF 3 THREADS BEYOND ANY METAL SUBSTRATE.
- "UNGROUTED CMU" VALUES MAY BE USED FOR GROUTED CMU APPLICATIONS.
- ALL ANCHOR HEAD TYPES ARE APPLICABLE.

INSTALLATION NOTES:

- SEE SHEET 1 FOR ANCHOR SPACING REQUIREMENTS.
- ANY INSTALLATION OPTION SHOWN (2X BUCK OR WOOD FRAMING, 1X BUCK, DIRECT TO MASONRY, STEEL STUD) MAY BE USED ON ANY SIDE OF THE WINDOW.
- USE ONLY SUBSTRATE APPROPRIATE ANCHORS LISTED IN ANCHOR TABLE 2. FOLLOW EMBEDMENT AND EDGE DISTANCE LIMITS. MAX. SHIM THICKNESS TO BE 1/4".
- MAXIMUM DESIGN PRESSURE LIMITED TO +/- 50 PSF FOR ALTERNATE ANCHOR LOCATION.



SH800V-FPA-NI
 3 OF 6
 DMC No.
 SH800V
 SECTION VIEWS
 EQUAL-LEG INSTALLATION
 Drawn By: LOGAN YODER
 Date: 04/14/23
 VINYL SINGLE HUNG WINDOW (NI)
 CGI WINDOWS AND DOORS
 3780 W. 104TH STREET
 HIALEAH, FL 33018
 COPYRIGHT © 2023 CGI WINDOWS AND DOORS
 LIMITED LICENSE TO MAKE COPIES FOR
 REGISTRATION #29296
 (941) 480-1600
 PREPARED BY A. LYNN MILLER
 1070 TECHNOLOGY DRIVE
 N. VENICE, FL 34275
Impact Resistant Windows & Doors

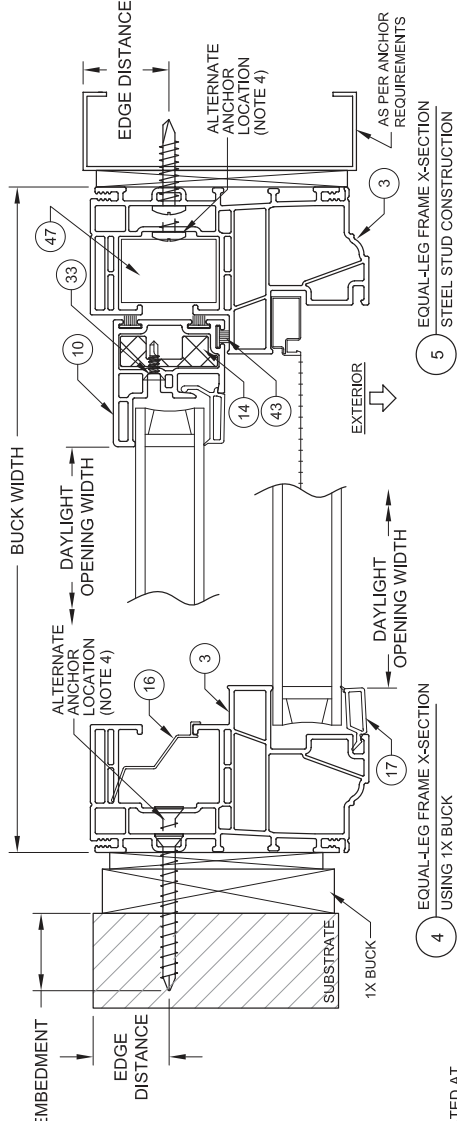
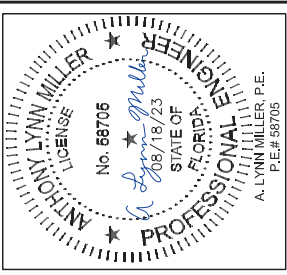


TABLE 3: INSTALLATION ANCHORS

Anchor	Substrate	Minimum Edge Distance	Minimum Embedment
#10 or #12 Steel or 410 SS Screw	Southern Pine (SG = .55)	1/2"	1-3/8"
	Aluminum, 6063-T5 min.	5/16"	0.050"
	Steel Stud, Gr. 33 min.	5/16"	0.045" (20 Ga)
3/16" Steel Ultracon+	A36 Steel	5/16"	0.050"
	Concrete (min. 2.9 ksi)	1"	1-3/4"
	UngROUTED CMU, (ASTM C-90)	1-1/16"	1-1/4"
1/4" Steel Ultracon+	Southern Pine (SG = .55)	1"	1-3/8"
	Concrete (min. 3.0 ksi)	1"	1-3/8"
	UngROUTED CMU, (ASTM C-90)	1"	1-1/4"
	Southern Pine (SG = .55)	1"	1-3/8"

- 1) ANCHOR MUST EXTEND A MINIMUM OF 3 THREADS BEYOND ANY METAL SUBSTRATE.
- 2) "UNGROUTED CMU" VALUES MAY BE USED FOR GROUTED CMU APPLICATIONS.
- 3) ALL ANCHOR HEAD TYPES ARE APPLICABLE.

INSTALLATION NOTES:

- 1) SEE SHEET 1 FOR ANCHOR SPACING REQUIREMENTS.
- 2) ANY INSTALLATION OPTION SHOWN (2X BUCK OR WOOD FRAMING, 1X BUCK, DIRECT TO MASONRY, STEEL STUD) MAY BE USED ON ANY SIDE OF THE WINDOW.
- 3) USE ONLY SUBSTRATE APPROPRIATE ANCHORS LISTED IN ANCHOR TABLE 3. FOLLOW EMBEDMENT AND EDGE DISTANCE LIMITS. MAX. SHIM THICKNESS TO BE 1/4".
- 4) MAXIMUM DESIGN PRESSURE LIMITED TO +/- 50 PSF FOR ALTERNATE ANCHOR LOCATION.

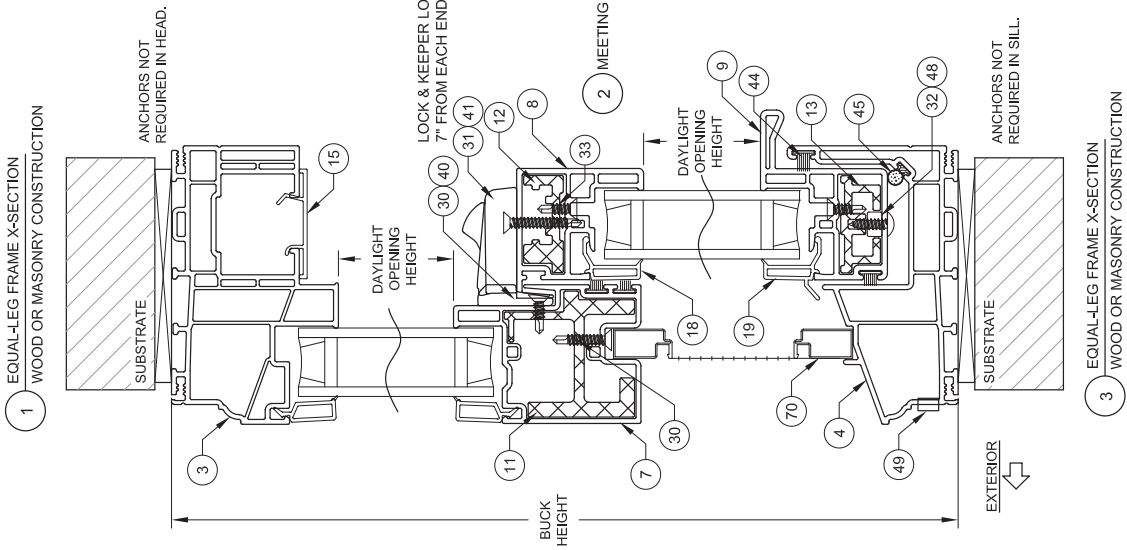
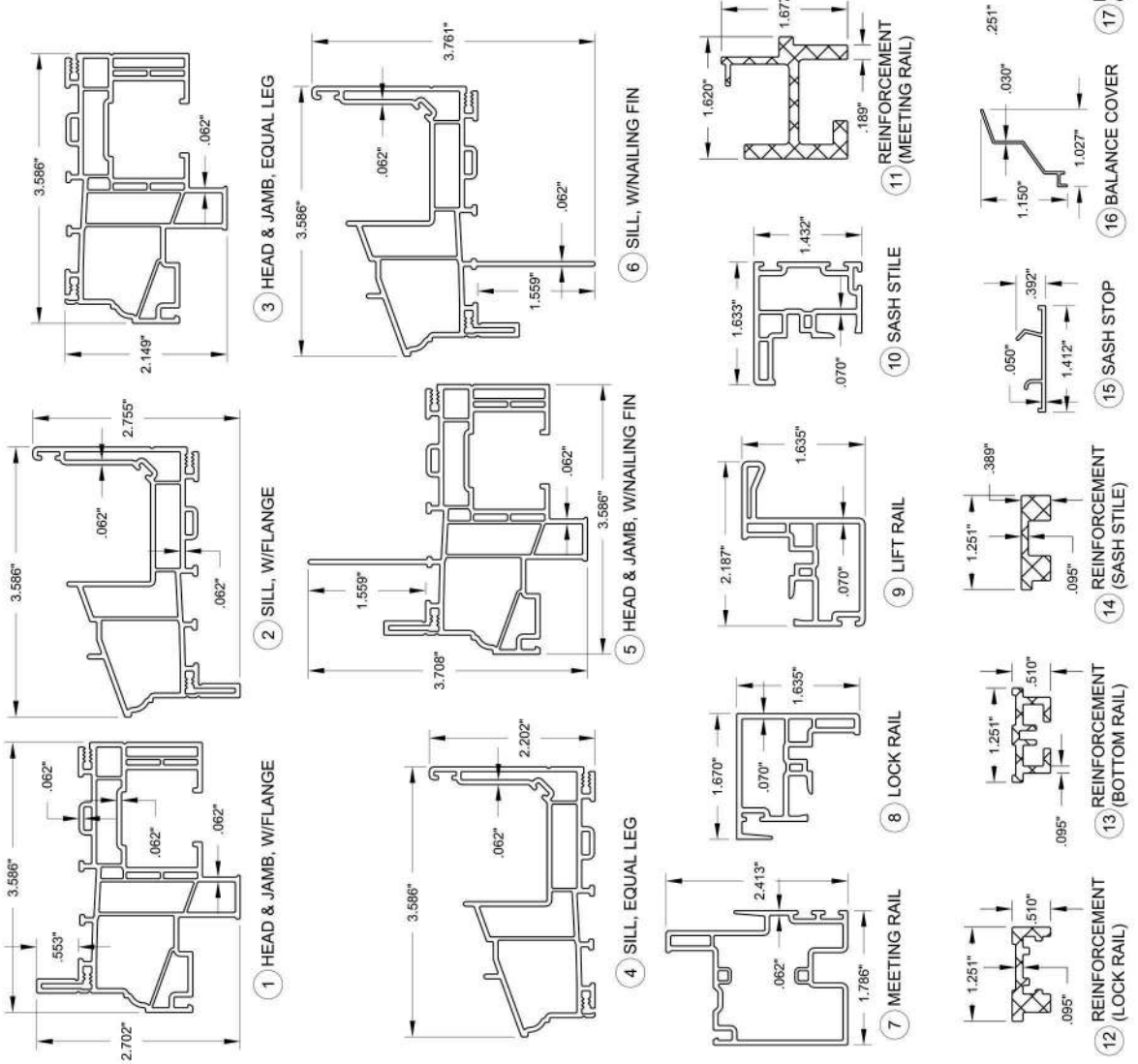
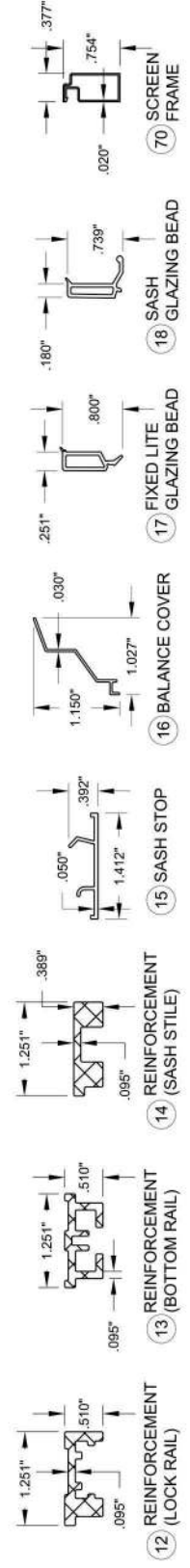


TABLE 5:

#	Part #	Description	Material
1	9465	Head & Jamb, w/Flange	PVC
2	9469	Sill, w/Flange	PVC
3	9465	Head & Jamb, Equal Leg	PVC
4	9469	Sill, Equal Leg	PVC
5	9455	Head & Jamb, w/Nailing Fin	PVC
6	9459	Sill, w/Nailing Fin	PVC
7	9477	Meeting Rail	PVC
8	9485	Lock Rail	PVC
9	9476	Sash Lift Rail	PVC
10	9438	Sash Stiles	PVC
11	6166	Reinf. - Meeting Rail	6063-T5
12	6165	Reinf. - Lock Rail	6063-T5
13	6163	Reinf. - Lift Rail	6063-T5
14	6164	Reinf. - Stiles	6063-T5
15	9473	Sash Stop	PVC
16	9468	Balancer Cover	PVC
17	9736	Fixed Lite Glazing Bead	PVC
18	9425	Sash Glazing Bead	PVC
30	1012	Screw, #6 x 3/4" PFH	Steel
31	1007	Screw, #6 x 1-1/8" PFH	Steel
32	1015	Screw, #8 x 1/2" PTRUSS	Steel
33	1003	Screw, #6 x 1/2" PFH	Steel
40	8096	Keeper	Zinc
41		Lock	SS
42	8121	MR Backing Plate	SS
43	4006	WSTP, .270" x .220" Polyfin	
44	4008	WSTP, .270" x .320" Polyfin	
45	4012	WSTP, Bulb Vinyl, .187" x .300"	Steel
46	8205/8206	Tilt Latch, L&R	Zinc
47		Balance	
48	8148	Pivot Bar	SS
49	8223	Weep Cover	Nylon
60	RGS 7700	Pecora 895, SikaFlex 552, Dow 791, 983 or 995	
61		Insulated Glass Spacer	
62	7061	Setting Block, 1/8" x 7/8" x 2"	EPDM
70	6244	Screen Frame	Aluminum



THE APPROVED, RIGID PVC EXTERIOR EXTRUSIONS ARE TO BE PRODUCED BY EXTRUDERS' LICENSEES UNDER "AAMA CERTIFICATION PROGRAMS FOR RIGID PVC EXTRUSIONS".



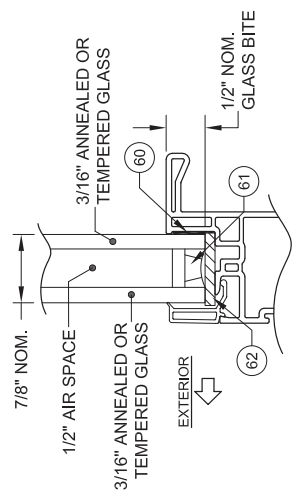
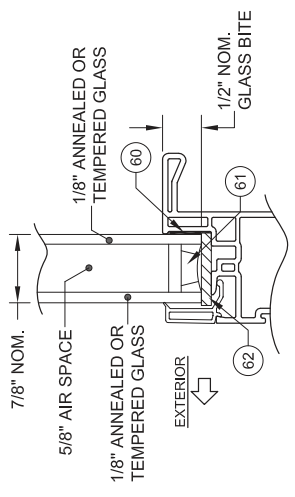
Impact Resistant Windows & Doors
 1070 TECHNOLOGY DRIVE
 N. VENICE, FL 34275
 (941) 480-1600
 REGISTRATION #29296
 COPYRIGHT © 2023 CGI WINDOWS AND DOORS
 LIMITED LICENSE TO MAKE COPIES FOR PERMITTING
 04/14/23
 VINYL SINGLE HUNG WINDOW (NI)
 LOGAN YODER
 EXTRUSIONS & BOM
 SH800V-FPA-NI
 5 OF 6
 SH800V

ANTHONY LYNN MILLER
 No. 58705
 STATE OF FLORIDA
 LICENSE
 08/18/23
PROFESSIONAL ENGINEER
 A. LYNN MILLER, P.E.
 P.E.# 58705



Series	SH800V
Sheet	6 OF 6
DWG No.	SH800V-FPA-NI
Drawn By	LOGAN YODER
Date	04/14/23
Title	VINYL SINGLE HUNG WINDOW (NI)
CGI WINDOWS AND DOORS 3780 W. 104TH STREET HIALEAH, FL 33018	
COPYRIGHT © 2023 CGI WINDOWS AND DOORS LIMITED LICENSE TO MAKE COPIES FOR REGISTRATION #29296	
PREPARED BY A. LYNN MILLER 1070 TECHNOLOGY DRIVE N. VENICE, FL 34275 (941) 480-1600	

Rev.	MINOR EDITORIAL CHANGES	Date	08/17/23	Rev.#	A
------	-------------------------	------	----------	-------	---





Product Approval
USER: Public User

[Product Approval Menu](#) > [Product or Application Search](#) > **Application List**

OFFICE OF THE
SECRETARY

Search Criteria

[Refine Search](#)

Code Version	2023	FL#	38620.2
Application Type	ALL	Product Manufacturer	ALL
Category	ALL	Subcategory	ALL
Application Status	ALL	Compliance Method	ALL
Quality Assurance Entity	ALL	Quality Assurance Entity Contract Expired	ALL
Product Model, Number or Name	ALL	Product Description	ALL
Approved for use in HVHZ	ALL	Approved for use outside HVHZ	ALL
Impact Resistant	ALL	Design Pressure	ALL
Other	ALL		

Search Results - Applications

FL#	Type	Manufacturer	Validated By	Status
FL38620-R3 History	Revision	CGI Windows and Doors FL#: FL38620.2 Model: PW820V Description: Non-impact Resistant, Vinyl, Fixed Window Category: Windows Subcategory: Fixed	Steven M. Urich, PE (717) 317-8454	Approved

*Approved by DBPR. Approvals by DBPR shall be reviewed and ratified by the POC and/or the Commission if necessary.

[Contact Us](#) :: [2601 Blair Stone Road, Tallahassee FL 32399](#) Phone: 850-487-1824

The State of Florida is an AA/EEO employer. [Copyright 2007-2013 State of Florida](#). :: [Privacy Statement](#) :: [Accessibility Statement](#) :: [Refund Statement](#)

Under Florida law, email addresses are public records. If you do not want your e-mail address released in response to a public-records request, do not send electronic mail to this entity. Instead, contact the office by phone or by traditional mail. If you have any questions, please contact 850.487.1395. *Pursuant to Section 455.275(1), Florida Statutes, effective October 1, 2012, licensees licensed under Chapter 455, F.S. must provide the Department with an email address if they have one. The emails provided may be used for official communication with the licensee. However email addresses are public record. If you do not wish to supply a personal address, please provide the Department with an email address which can be made available to the public. To determine if you are a licensee under Chapter 455, F.S., please click [here](#).

Product Approval Accepts:





Product Approval
USER: Public User

[Product Approval Menu](#) > [Product or Application Search](#) > [Application List](#) > **Application Detail**

OFFICE OF THE
SECRETARY

FL #	FL38620-R3												
Application Type	Revision												
Code Version	2023												
Application Status	Approved												
Comments													
Archived	<input type="checkbox"/>												
Product Manufacturer	CGI Windows and Doors												
Address/Phone/Email	10100 NW 25 Street Miami, FL 33172 (305) 593-6590 Lmiller@pgtindustries.com												
Authorized Signature	Jens Rosowski jrosowski@pgtindustries.com												
Technical Representative	Lynn Miller, P.E.												
Address/Phone/Email	1070 Technology Dr N Venice, FL 34275 (941) 486-0100 Ext 21142 lmiller@pgtindustries.com												
Quality Assurance Representative													
Address/Phone/Email													
Category	Windows												
Subcategory	Fixed												
Compliance Method	Evaluation Report from a Florida Registered Architect or a Licensed Florida Professional Engineer <input type="checkbox"/> Evaluation Report - Hardcopy Received												
Florida Engineer or Architect Name who developed the Evaluation Report	A. Lynn Miller, P.E.												
Florida License	PE-58705												
Quality Assurance Entity	Keystone Certifications, Inc.												
Quality Assurance Contract Expiration Date	12/31/2032												
Validated By	Steven M. Urich, PE <input checked="" type="checkbox"/> Validation Checklist - Hardcopy Received												
Certificate of Independence	FL38620_R3_COI_Cert_of_Independence.pdf												
Referenced Standard and Year (of Standard)	<table border="0"> <thead> <tr> <th>Standard</th> <th>Year</th> </tr> </thead> <tbody> <tr> <td>AAMA/WDMA/CSA 101/1S2/A440</td> <td>2017</td> </tr> <tr> <td>ASTM E1300</td> <td>2009</td> </tr> <tr> <td>ASTM E1886</td> <td>2019</td> </tr> <tr> <td>ASTM E1996</td> <td>2020</td> </tr> <tr> <td>TAS 201, 202 & 203</td> <td>1994</td> </tr> </tbody> </table>	Standard	Year	AAMA/WDMA/CSA 101/1S2/A440	2017	ASTM E1300	2009	ASTM E1886	2019	ASTM E1996	2020	TAS 201, 202 & 203	1994
Standard	Year												
AAMA/WDMA/CSA 101/1S2/A440	2017												
ASTM E1300	2009												
ASTM E1886	2019												
ASTM E1996	2020												
TAS 201, 202 & 203	1994												
Equivalence of Product Standards Certified By	Florida Licensed Professional Engineer or Architect FL38620_R3_Equiv_AAMA_101-97_and_05_to_AAMA_101-17_Equivalency												

FLORIDA PRODUCT APPROVAL #38620

**PW820V FIXED WINDOW,
NON-IMPACT RESISTANT,
FLANGE, EQUAL-LEG, & FIN FRAMES**

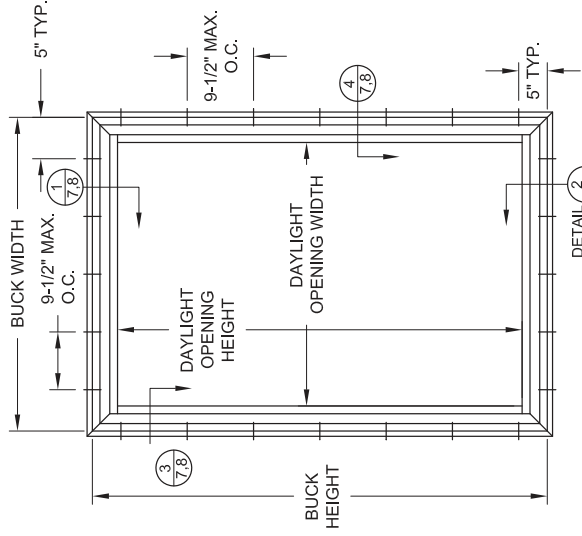
DP RATING
SEE TABLES A-E

NOT RATED FOR
IMPACT RESISTANCE

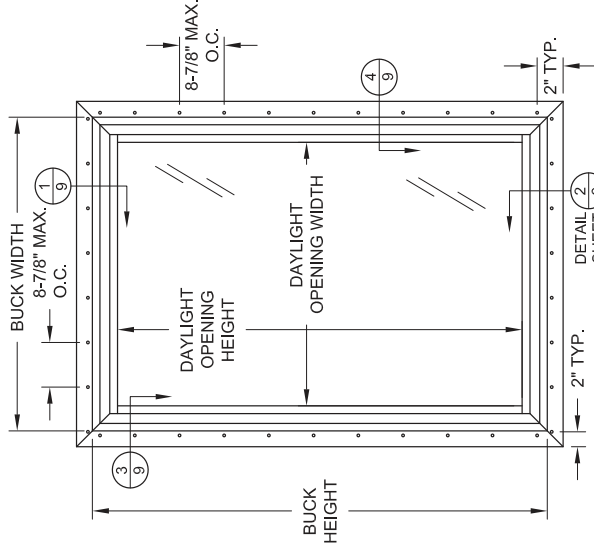
#193
Date 08/17/23

MINOR EDITORIAL UPDATES

- 1) THIS PRODUCT HAS BEEN DESIGNED & TESTED TO COMPLY WITH THE REQUIREMENTS OF THE FLORIDA BUILDING CODE, EXCLUDING THE HIGH VELOCITY HURRICANE ZONE (HVHZ).
- 2) SHUTTERS ARE REQUIRED WHEN USED IN WIND-BORNE DEBRIS REGIONS.
- 3) MASONRY ANCHORS MAY BE USED INTO WOOD. ALL WOOD BUCKS LESS THAN 1-1/2" THICK ARE TO BE CONSIDERED 1X INSTALLATIONS. 1X WOOD BUCKS ARE OPTIONAL IF UNIT IS INSTALLED DIRECTLY TO SUBSTRATE. WOOD BUCKS DEPICTED AS 2X ARE 1-1/2" THICK OR GREATER.
- 4) ANCHOR EMBEDMENT TO BASE MATERIAL SHALL BE BEYOND WALL DRESSING OR STUCCO. USE ANCHORS OF SUFFICIENT LENGTH.
- 5) MAX. 1/4" SHIMS ARE REQUIRED AT EACH ANCHOR LOCATION WHERE THE PRODUCT IS NOT FLUSH TO THE SUBSTRATE. USE SHIMS CAPABLE OF TRANSFERRING APPLIED LOADS.
- 6) THE ANCHORAGE METHODS SHOWN HAVE BEEN DESIGNED TO RESIST THE WIND LOADS CORRESPONDING TO THE REQUIRED DESIGN PRESSURE. THE 33-1/3% STRESS INCREASE HAS NOT BEEN USED IN THE DESIGN OF THIS PRODUCT. THE 1.6 LOAD DURATION FACTOR WAS USED FOR THE EVALUATION OF ANCHORS INTO WOOD. ANCHORS THAT COME INTO CONTACT WITH OTHER DISSIMILAR MATERIALS SHALL MEET THE REQUIREMENTS OF THE FLORIDA BUILDING CODE FOR CORROSION RESISTANCE.
- 7) FRAME FLANGES OR INTEGRAL FINS MAY TRIMMED IN-FIELD TO CREATE AN EQUAL-LEG FRAME.

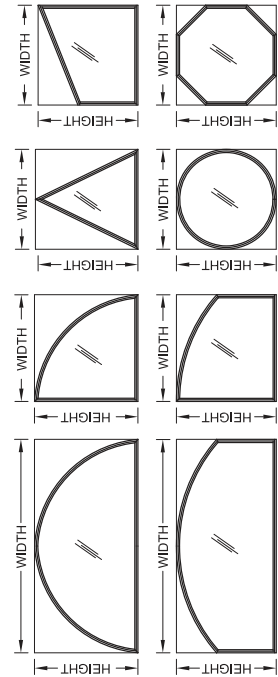


TYP. ANCHOR LOCATIONS
(FLANGED FRAME, EQUAL-LEG SIM.)
SEE TABLES A-E FOR SIZES



TYP. ANCHOR LOCATIONS
(INTEGRAL FIN FRAME)
SEE TABLES A-E FOR SIZES

SHAPES AS SHOWN BELOW, OR SIMILAR, MAY BE USED BY INSCRIBING THE SHAPE IN A BLOCK AND OBTAINING DESIGN PRESSURES FOR THAT BLOCK SIZE FROM THE TABLES ON SHEETS 2-6.



ALL TEMPERED AND/OR LAMINATED GLASS OPTIONS IN THIS APPROVAL HAVE BEEN CERTIFIED BY THE SGCC FOR COMPLIANCE TO ANSI Z97.1, CLASS A AND CPSC 16 CFR 1201, CATEGORY II. THIS INCLUDES LAMINATED GLASS THAT IS MANUFACTURED WITH ANNEALED GLASS PILES. FOR APPLICATIONS WHERE THE WINDOW IS BEING USED AS A GUARD, HEAT STRENGTHENED OR TEMPERED LAMINATED GLASS MUST BE USED.

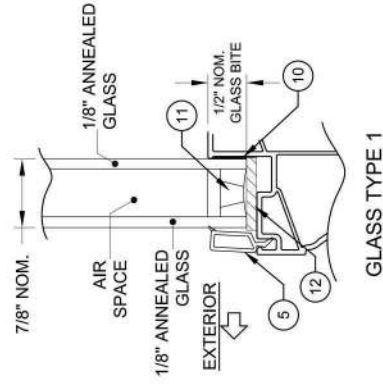
Series	PW820V	Sheet	1 OF 10
Desc. Title	ELEVATION & GENERAL NOTES		
Drawn By	LOGAN YODER		
Date	04/17/23		
CGI WINDOWS AND DOORS 3780 W. 104TH STREET MILWAUKEE, WI 53018		PREPARED BY A. LYNN MILLER 1070 TECHNOLOGY DRIVE N. VENICE, FL 34275 (941) 480-1600 REGISTRATION #29296	
CGI Windows & Doors		Impact Resistant	
COPYRIGHT © 2023 PGT, INC., LIMITED LICENSE TO MAKE COPIES FOR PERMITTING.			

ANTHONY LYNN MILLER
LICENSE
No. 58705
08/18/23
STATE OF FLORIDA
PROFESSIONAL ENGINEER
A. LYNN MILLER, P.E.
P.E.# 58705

DAYLIGHT OPENING WIDTH = BUCK WIDTH - 4.25
DAYLIGHT OPENING HEIGHT = BUCK HEIGHT - 4.25

TABLE A:

Window Dimensions		Window Design Pressure (+/- psf)																	
		Glass Type 1: 7/8" IG (1/8" A - AIRSPACE - 1/8" A)																	
		Long Side (in.)																	
Short Side (in.)	48	50	52	54	56	58	60	62	64	66	68	70	72	74	76	78	80	82	84
18	100.0	100.0	100.0	100.0	100.0	100.0	100.0	100.0	100.0	100.0	100.0	100.0	100.0	99.3	98.4	97.7	97.2	96.6	96.2
20	96.9	94.0	91.6	89.6	87.5	85.8	84.5	83.1	81.8	80.7	79.6	78.7	77.9	77.1	76.5	76.0	75.5	75.0	74.6
22	87.8	83.8	80.2	77.0	74.8	72.9	71.2	69.8	68.4	67.2	66.0	65.0	64.1	63.2	62.4	61.7	61.0	60.4	59.8
24	84.5	79.2	74.9	72.0	69.1	66.6	64.1	61.8	59.7	57.8	56.4	55.3	54.1	53.2	52.2	51.5	50.8	50.1	49.4
26	83.7	78.6	74.0	70.7	67.4	64.1	60.7	57.5	55.2	53.4	51.6	50.1	48.5	47.2	46.2	45.3	44.4	43.7	43.1
28	83.5	78.4	74.0	70.8	67.5	63.9	60.4	56.7	54.3	52.0	49.9	47.6	45.9	44.6	43.3	42.0	40.8	39.8	38.6
30	82.3	78.2	74.1	70.8	67.7	64.5	61.0	57.3	54.6	52.3	49.9	47.3	45.6	44.1	42.4	40.7	39.2	37.7	
32	80.6	76.4	73.3	70.4	67.3	64.2	61.4	58.1	55.2	52.8	50.5	48.1	46.0	44.3	42.7				
34	77.8	74.4	71.5	68.8	66.3	63.6	60.6	57.7	55.4	53.3	51.0	48.6	46.6						
36	74.3	71.8	69.5	66.8	64.1	61.8	59.5	56.8	54.7	52.7	51.1								
38	71.6	68.9	66.5	64.2	61.9	59.4	57.1	55.3	53.6										
40	68.6	66.2	63.7	61.2	59.0	56.8	55.0												
42	65.6	63.2	60.8	58.3	56.0	54.3													
44	62.6	60.1	57.6	55.6															
46	59.9	57.2	55.0																
48	57.2	54.9																	



GLASS TYPE 1

NOTES: 1) FOR SIZES NOT SHOWN, ROUND UP TO THE NEXT AVAILABLE WIDTH OR HEIGHT DIMENSION.

Impact Resistant Windows & Doors
 1070 TECHNOLOGY DRIVE
 N. VENICE, FL 34275
 (941) 480-1600
 PREPARED BY A. LYNN MILLER

CGI WINDOWS AND DOORS
 3780 W. 104TH STREET
 HIALEAH, FL 33018

REGISTRATION #29296
 COPYRIGHT © 2023 PGT, INC., LIMITED LICENSE
 TO MAKE COPIES FOR PERMITTING.

VINYL FIXED WINDOW (NI)
 DATE: 04/17/23
 DRAWN BY: LOGAN YODER

DWG No. PW820V 2 OF 10
 SHEET PW820V-FPA-NI

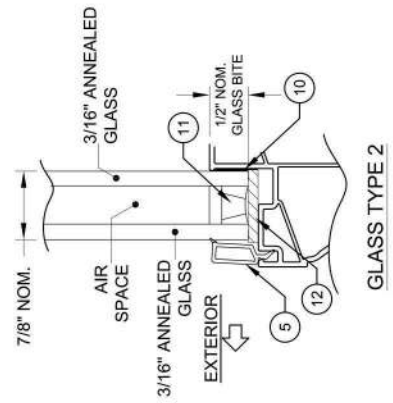
ANTHONY LYNN MILLER
 LICENSE
 No. 58705
 08/18/23
 STATE OF FLORIDA
PROFESSIONAL ENGINEER
 A. LYNN MILLER, P.E.
 P.E.# 58705

MINOR EDITORIAL UPDATES
 DATE: 08/17/23
 # 12345 A

TABLE B:

Window Dimensions		Window Design Pressure (+/- psf)																								
		Glass Type 2: 7/8" IG (3/16" A - AIRSPACE - 3/16" A)																								
		Long Side (in.)																								
		72	74	76	78	80	82	84	86	88	90	92	94	96	98	100	102	104	106	108	110	112	114	116	118	120
42		70.5	68.1	65.7	63.3	60.8	58.3	56.0	54.4	52.7	51.0	49.4	47.8	46.4	45.2	44.0	43.0	42.0	41.0	39.9	38.7	37.9	37.3	36.7	36.3	35.7
44		69.8	67.8	65.6	63.3	60.8	58.3	56.0	54.4	52.8	51.1	49.4	47.6	46.2	45.1	43.9	42.8	41.4	40.2	39.1	38.0	37.2	36.5	35.8		
46		69.3	67.1	65.1	63.1	60.8	58.3	56.1	54.4	52.8	51.3	49.5	47.9	46.4	45.2	43.9	42.8	41.6	40.3	39.0	37.7	37.0				
48		68.6	66.4	64.3	62.3	60.3	58.4	56.1	54.4	52.8	51.3	49.7	48.1	46.5	45.3	44.2	42.9	41.7	40.5	39.2						
50		67.5	65.7	63.5	61.4	59.4	57.5	55.9	54.4	52.8	51.2	49.7	48.1	46.7	45.5	44.4	43.2									
52		65.9	64.2	62.6	60.5	58.5	56.5	55.1	53.9	52.6	51.2	49.5	48.0	46.6	45.5											
54		64.3	62.5	60.9	59.3	57.6	55.7	54.3	53.0	51.8	50.6	49.4	47.9	46.5												
56		62.7	60.9	59.1	57.5	56.0	54.8	53.6	52.1	50.9	49.6	48.5														
58		61.0	59.1	57.3	55.8	54.7	53.6	52.4	51.3	49.9																
60		59.0	57.4	55.8	54.5	53.3	52.2	51.1	50.0																	
62		57.0	55.6	54.5	53.3	52.0	50.7																			
64		55.4	54.2	53.1	51.8	50.7																				
66		54.0	52.7	51.6	50.4																					
68		52.7	51.4	50.2																						
70		51.4	50.0																							
72		50.1																								

Short Side (in.)



GLASS TYPE 2

NOTES: 1) FOR SIZES NOT SHOWN, ROUND UP TO THE NEXT AVAILABLE WIDTH OR HEIGHT DIMENSION.

Prepared by A. LYNN MILLER
 1070 TECHNOLOGY DRIVE
 N. VENICE, FL 34275
 (941) 480-1600
 Impact Resistant Windows & Doors
 CGI WINDOWS AND DOORS
 3780 W. 104TH STREET
 HIALEAH, FL 33018
 REGISTRATION #29296
 COPYRIGHT © 2023 PGT, INC., LIMITED LICENSE
 TO MAKE COPIES FOR PERMITTING.

VINYL FIXED WINDOW (NI)
 DATE: 04/17/23
 DRAWN BY: LOGAN YODER

PW820V 3 OF 10
 DP TABLES & GLASS TYPES
 PW820V-FPA-NI

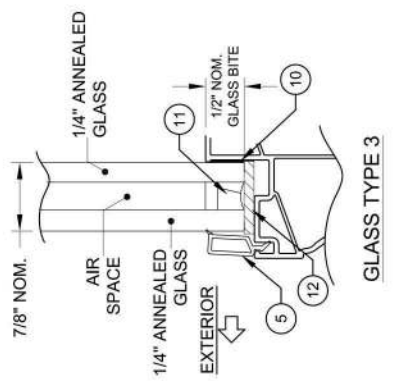
ANTHONY LYNN MILLER
 LICENSE No. 58705
 PROFESSIONAL ENGINEER
 STATE OF FLORIDA
 08/18/23
 A. LYNN MILLER, P.E.
 P.E.# 58705

Impact Resistant Windows & Doors
 1070 TECHNOLOGY DRIVE
 N. VENICE, FL 34275
 (941) 480-1600
 PREPARED BY A. LYNN MILLER
 REGISTRATION #29296
 COPYRIGHT © 2023 PGT, INC. LIMITED LICENSE
 TO MAKE COPIES FOR PERMITTING.
 VINYL FIXED WINDOW (NI)
 04/17/23
 DP TABLES & GLASS TYPES
 LOGAN YODER
 PW820V 4 OF 10
 PW820V-FPA-NI



TABLE C: Window Design Pressure (+/- psf) Glass Type 3: 7/8" IG (1/4" A - AIRSPACE - 1/4" A)

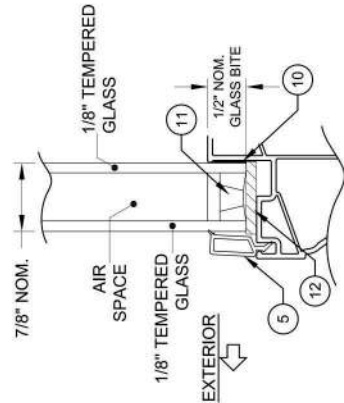
Window Dimensions	Long Side (in.)																							
	74	76	78	80	82	84	86	88	90	92	94	96	98	100	102	104	106	108	110	112	114	116	118	120
44	80.0	78.1	75.2	73.2	71.2	69.2	67.3	65.3	63.3	61.1	58.8	56.7	55.6	54.5	53.4	52.3	51.2	50.3	49.4	48.4	47.5	46.8	46.2	45.6
46	80.0	77.1	74.5	72.6	70.7	68.7	66.7	64.6	62.6	60.5	58.3	56.1	54.6	53.2	52.1	50.9	49.8	48.4	47.2	46.4	45.6	45.0	44.4	43.6
48	79.4	76.3	74.0	72.1	70.3	68.3	66.2	64.2	62.1	60.1	57.9	55.8	54.4	53.0	51.5	50.0	48.7	47.5	46.4	45.5	44.5	43.6	42.9	42.2
50	78.6	75.6	73.5	71.6	69.8	67.8	65.9	63.9	61.9	59.7	57.6	55.8	54.4	52.9	51.5	49.9	48.4	46.9	46.0	45.1	44.2			
52	77.4	74.9	73.0	71.1	69.2	67.3	65.4	63.5	61.5	59.5	57.4	55.6	54.2	52.9	51.5	49.9	48.4	47.0	45.9					
54	75.9	74.0	72.3	70.7	68.7	66.8	64.9	63.0	61.1	59.3	57.2	55.6	54.2	52.7	51.4	50.0	48.4							
56	74.7	72.9	71.3	69.7	68.1	66.3	64.4	62.4	60.6	58.7	56.8	55.4	54.1	52.7	51.3									
58	73.8	72.0	70.2	68.5	67.0	65.5	63.9	61.9	60.0	58.1	56.4	55.1	54.0											
60	72.7	70.9	69.1	67.5	65.8	64.2	62.8	61.3	59.5	57.6	56.0	54.6												
62	71.3	69.8	68.1	66.4	64.6	63.0	61.5	60.1	58.7	57.1														
64	69.7	68.2	66.8	65.2	63.5	61.9	60.3	58.7	57.2															
66	68.1	66.6	65.2	63.8	62.2	60.6	59.0																	
68	66.6	65.1	63.6	62.1	60.7	59.3																		
70	65.2	63.6	62.0	60.5	59.1																			
72	63.8	62.1	60.5	59.0																				
74	62.3	60.7																						



NOTES:
1) FOR SIZES NOT SHOWN, ROUND UP TO THE NEXT AVAILABLE WIDTH OR HEIGHT DIMENSION.

TABLE D:

		Window Design Pressure (+/- psf)																		
		Glass Type 4: 7/8" IG (1/8" T - AIRSPACE - 1/8" T)																		
Window Dimensions	Short Side (in.)	Long Side (in.)															84			
		48	50	52	54	56	58	60	62	64	66	68	70	72	74	76		78	80	82
18	100.0	100.0	100.0	100.0	100.0	100.0	100.0	100.0	100.0	100.0	100.0	100.0	100.0	100.0	100.0	100.0	100.0	100.0	100.0	100.0
20	100.0	100.0	100.0	100.0	100.0	100.0	100.0	100.0	100.0	100.0	100.0	100.0	100.0	100.0	100.0	100.0	100.0	100.0	100.0	100.0
22	100.0	100.0	100.0	100.0	100.0	100.0	100.0	100.0	100.0	100.0	100.0	100.0	100.0	100.0	100.0	100.0	100.0	100.0	100.0	100.0
24	100.0	100.0	100.0	100.0	100.0	100.0	100.0	100.0	100.0	100.0	100.0	100.0	100.0	100.0	100.0	100.0	100.0	100.0	100.0	100.0
26	100.0	100.0	100.0	100.0	100.0	100.0	100.0	100.0	100.0	100.0	100.0	100.0	100.0	100.0	100.0	100.0	100.0	100.0	100.0	100.0
28	100.0	100.0	100.0	100.0	100.0	100.0	100.0	100.0	100.0	100.0	100.0	100.0	100.0	100.0	100.0	100.0	100.0	100.0	100.0	100.0
30	100.0	100.0	100.0	100.0	100.0	100.0	100.0	100.0	100.0	100.0	100.0	100.0	100.0	100.0	100.0	100.0	100.0	100.0	100.0	100.0
32	100.0	100.0	100.0	100.0	100.0	100.0	100.0	100.0	100.0	100.0	100.0	100.0	100.0	100.0	100.0	100.0	100.0	100.0	100.0	100.0
34	100.0	100.0	100.0	100.0	100.0	100.0	100.0	100.0	100.0	100.0	100.0	100.0	100.0	100.0	100.0	100.0	100.0	100.0	100.0	100.0
36	100.0	100.0	100.0	100.0	100.0	100.0	100.0	100.0	100.0	100.0	100.0	100.0	100.0	100.0	100.0	100.0	100.0	100.0	100.0	100.0
38	100.0	100.0	100.0	100.0	100.0	100.0	100.0	100.0	100.0	100.0	100.0	100.0	100.0	100.0	100.0	100.0	100.0	100.0	100.0	100.0
40	100.0	100.0	100.0	100.0	100.0	100.0	100.0	100.0	100.0	100.0	100.0	100.0	100.0	100.0	100.0	100.0	100.0	100.0	100.0	100.0
42	100.0	100.0	100.0	100.0	100.0	100.0	100.0	100.0	100.0	100.0	100.0	100.0	100.0	100.0	100.0	100.0	100.0	100.0	100.0	100.0
44	100.0	100.0	100.0	100.0	100.0	100.0	100.0	100.0	100.0	100.0	100.0	100.0	100.0	100.0	100.0	100.0	100.0	100.0	100.0	100.0
46	100.0	100.0	100.0	100.0	100.0	100.0	100.0	100.0	100.0	100.0	100.0	100.0	100.0	100.0	100.0	100.0	100.0	100.0	100.0	100.0
48	100.0	100.0	100.0	100.0	100.0	100.0	100.0	100.0	100.0	100.0	100.0	100.0	100.0	100.0	100.0	100.0	100.0	100.0	100.0	100.0



GLASS TYPE 4

NOTES:
 1) FOR SIZES NOT SHOWN, ROUND UP TO THE NEXT AVAILABLE WIDTH OR HEIGHT DIMENSION.

Prepared by A. LYNN MILLER
 1070 TECHNOLOGY DRIVE
 N. VENICE, FL 34275
 (941) 480-1600
 REGISTRATION #29296
 CGI WINDOWS AND DOORS
 3780 W. 104TH STREET
 HIALEAH, FL 33018
 COPYRIGHT © 2023 PGT, INC., LIMITED LICENSE
 TO MAKE COPIES FOR PERMITTING.

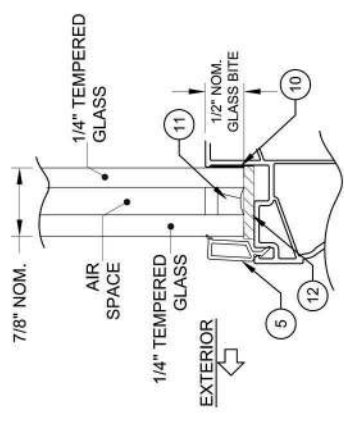
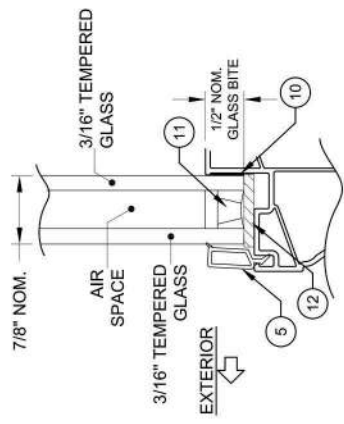
DP TABLES & GLASS TYPES
 VINYL FIXED WINDOW (NI)
 04/17/23
 Logan Yoder

PW820V 5 OF 10
 PW820V-FPA-NI



TABLE E:

Window Dimensions		Window Design Pressure (+/- psf)																						
		Glass Type 5: 7/8" IG (3/16" T - AIRSPACE - 3/16" T)										Glass Type 6: 7/8" IG (1/4" T - AIRSPACE - 1/4" T)												
		75.875	76	78	80	82	84	86	88	90	92	94	96	98	100	102	104	106	108	110	112	114	116	118
46	85.0	85.0	85.0	85.0	85.0	85.0	85.0	85.0	85.0	85.0	85.0	85.0	85.0	85.0	85.0	85.0	85.0	84.5	84.1	83.7	80.0	80.0	80.0	80.0
48	85.0	85.0	85.0	85.0	85.0	85.0	85.0	85.0	85.0	85.0	85.0	84.4	83.9	83.4	82.9	82.4	82.0	80.0	80.0	80.0	80.0	80.0	80.0	80.0
50	85.0	85.0	85.0	85.0	85.0	85.0	85.0	84.7	84.0	83.4	82.7	82.2	81.6	81.1	80.0	80.0	80.0	80.0	80.0	80.0	80.0	80.0	80.0	80.0
52	85.0	85.0	85.0	85.0	85.0	84.3	83.5	82.8	82.0	81.3	80.7	80.1	80.0	80.0	80.0	80.0	80.0	80.0	80.0	80.0	80.0	80.0	80.0	80.0
54	85.0	85.0	85.0	85.0	84.5	83.5	82.6	81.7	81.0	80.2	80.0	80.0	80.0	80.0	80.0	80.0	80.0	80.0	80.0	80.0	80.0	80.0	80.0	80.0
56	85.0	85.0	85.0	84.1	83.0	82.0	81.0	80.1	80.0	80.0	80.0	80.0	80.0	80.0	80.0	80.0	80.0	80.0	80.0	80.0	80.0	80.0	80.0	80.0
58	85.0	85.0	84.0	82.8	81.6	80.6	80.0	80.0	80.0	80.0	80.0	80.0	80.0	80.0	80.0	80.0	80.0	80.0	80.0	80.0	80.0	80.0	80.0	80.0
60	84.4	84.3	82.9	81.6	80.4	80.0	80.0	80.0	80.0	80.0	80.0	80.0	80.0	80.0	80.0	80.0	80.0	80.0	80.0	80.0	80.0	80.0	80.0	80.0
62	83.4	83.4	81.9	80.6	80.0	80.0	80.0	80.0	80.0	80.0	80.0	80.0	80.0	80.0	80.0	80.0	80.0	80.0	80.0	80.0	80.0	80.0	80.0	80.0
64	82.7	82.6	81.1	80.0	80.0	80.0	80.0	80.0	80.0	80.0	80.0	80.0	80.0	80.0	80.0	80.0	80.0	80.0	80.0	80.0	80.0	80.0	80.0	80.0
66	82.0	81.9	80.4	80.0	80.0	80.0	80.0	80.0	80.0	80.0	80.0	80.0	80.0	80.0	80.0	80.0	80.0	80.0	80.0	80.0	80.0	80.0	80.0	80.0
68	81.5	81.4	80.0	80.0	80.0	80.0	80.0	80.0	80.0	80.0	80.0	80.0	80.0	80.0	80.0	80.0	80.0	80.0	80.0	80.0	80.0	80.0	80.0	80.0
70	80.0	80.0	80.0	80.0	80.0	80.0	80.0	80.0	80.0	80.0	80.0	80.0	80.0	80.0	80.0	80.0	80.0	80.0	80.0	80.0	80.0	80.0	80.0	80.0
72	80.0	80.0	80.0	80.0	80.0	80.0	80.0	80.0	80.0	80.0	80.0	80.0	80.0	80.0	80.0	80.0	80.0	80.0	80.0	80.0	80.0	80.0	80.0	80.0
74	80.0	80.0	80.0	80.0	80.0	80.0	80.0	80.0	80.0	80.0	80.0	80.0	80.0	80.0	80.0	80.0	80.0	80.0	80.0	80.0	80.0	80.0	80.0	80.0
75.875	80.0	80.0	80.0	80.0	80.0	80.0	80.0	80.0	80.0	80.0	80.0	80.0	80.0	80.0	80.0	80.0	80.0	80.0	80.0	80.0	80.0	80.0	80.0	80.0



NOTES:
 1) FOR SIZES NOT SHOWN, ROUND UP TO THE NEXT AVAILABLE WIDTH OR HEIGHT DIMENSION.

Prepared by A. LYNN MILLER
 1070 TECHNOLOGY DRIVE
 N. VENICE, FL 34275
 (941) 480-1600
 REGISTRATION #29296
 CGI WINDOWS AND DOORS
 3780 W. 104TH STREET
 HIALEAH, FL 33018
 COPYRIGHT © 2023 PGT, INC., LIMITED LICENSE
 TO MAKE COPIES FOR PERMITTING.

Impact Resistant
 Windows & Doors

DP TABLES & GLASS TYPES
 VINYL FIXED WINDOW (NI)
 LOGAN YODER
 04/17/23

PW820V 6 OF 10
 PW820V-FPA-NI

ANTHONY LYNN MILLER
 LICENSE
 No. 58705
 08/18/23
 STATE OF
 FLORIDA
 PROFESSIONAL ENGINEER
 A. LYNN MILLER, P.E.
 P.E.# 58705

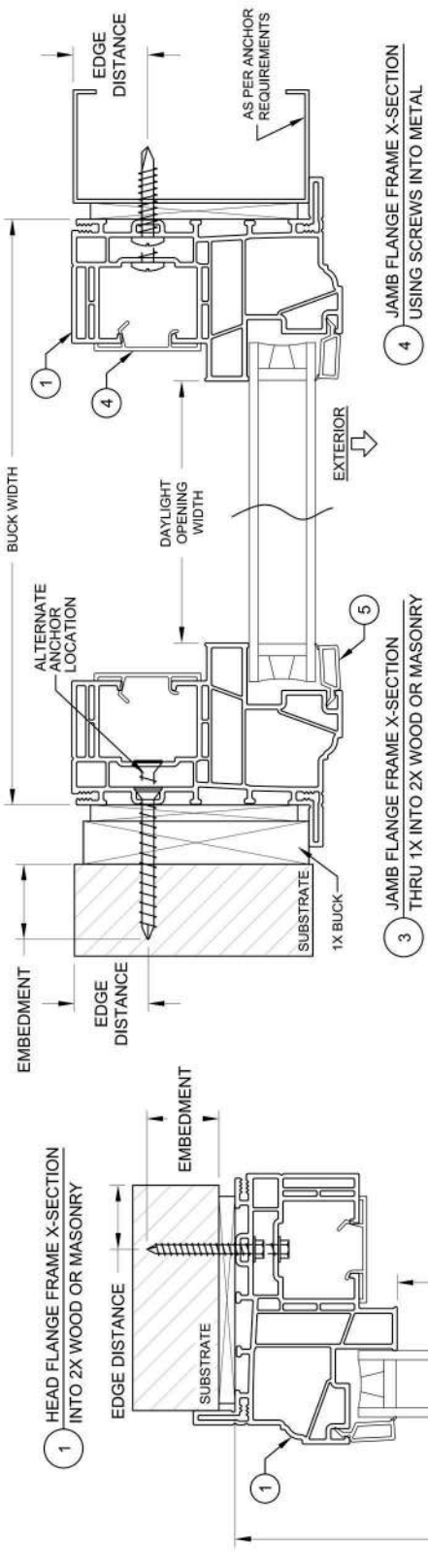


TABLE 2: INSTALLATION ANCHORS

Anchor	Substrate	Minimum Edge Distance	Minimum Embedment
#10 or #12 Steel or 410 SS Screw	Southern Pine (SG = .55)	9/16"	1-3/8"
	Aluminum, 6063-T5 min.	3/8"	0.050"
	Steel Stud, Gr. 33 min.	3/8"	0.045" (20 Ga)
3/16" Steel Ultracon+	A36 Steel	3/8"	0.050"
	Concrete (min. 2.9 ksi)	1"	1-3/4"
	UngROUTED CMU, (ASTM C-90)	1"	1-1/4"
1/4" Steel Ultracon+	Southern Pine (SG = .55)	1"	1-3/8"
	Concrete (min. 3.0 ksi)	1"	1-3/8"
	UngROUTED CMU, (ASTM C-90)	1"	1-1/4"
	Southern Pine (SG = .55)	1"	1-3/8"

- ANCHOR MUST EXTEND A MINIMUM OF 3 THREADS BEYOND ANY METAL SUBSTRATE.
- "UNGROUTED CMU" VALUES MAY BE USED FOR GROUTED CMU APPLICATIONS.
- ALL ANCHOR HEAD TYPES ARE APPLICABLE.

INSTALLATION NOTES:
 1) SEE SHEET 1 FOR ANCHOR SPACING REQUIREMENTS.
 2) ANY INSTALLATION OPTION SHOWN (2X BUCK, 1X BUCK, DIRECT TO MASONRY, STEEL STUD) MAY BE USED ON ANY SIDE OF THE WINDOW
 3) USE ONLY SUBSTRATE APPROPRIATE ANCHORS LISTED IN ANCHOR TABLE. FOLLOW EMBEDMENT AND EDGE DISTANCE LIMITS. MAX. STUD THICKNESS TO BE 1/4". ANY INSTALLATION OPTION SHOWN MAY BE USED ON ANY OR ALL SIDES OF THE WINDOW.

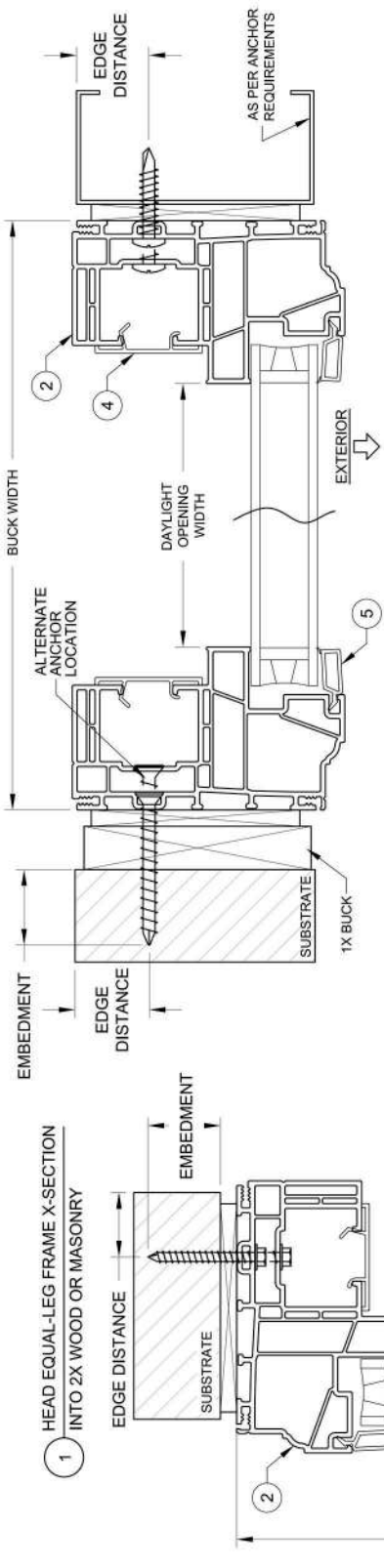
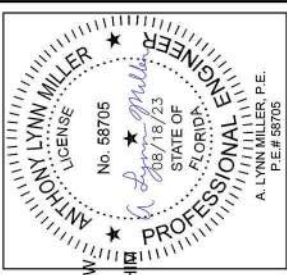
PREPARED BY A. LYNN MILLER
 1070 TECHNOLOGY DRIVE
 N. VENICE, FL 34275
 (941) 480-1600
 REGISTRATION #29296
 CGI WINDOWS AND DOORS
 3780 W. 104TH STREET
 HILFEAH, FL 33018
 COPYRIGHT © 2023 PGT, INC. LIMITED LICENSE
 TO MAKE COPIES FOR PERMITTING.

Impact Resistant
 Windows & Doors

FLANGE INSTALL SECTION VIEWS
 VINYL FIXED WINDOW (NI)
 LOGAN YODER
 04/17/23

PW820V 7 OF 10
 PW820V-FPA-NI

ANTHONY LYNN MILLER
 LICENSE
 No. 58705
 A. Lynn Miller
 08/18/23
 STATE OF
 FLORIDA
 PROFESSIONAL ENGINEER
 A. LYNN MILLER, P.E.
 P.E.# 58705



1) ANCHOR MUST EXTEND A MINIMUM OF 3 THREADS BEYOND ANY METAL SUBSTRATE.
2) "UNGROUTED CMU" VALUES MAY BE USED FOR GROUTED CMU APPLICATIONS.
3) ALL ANCHOR HEAD TYPES ARE APPLICABLE.

TABLE 3: INSTALLATION ANCHORS

Anchor	Substrate	Minimum Edge Distance	Minimum Embedment
#10 or #12 Steel or #10 SS Screw	Southern Pine (SG = .55)	9/16"	1-3/8"
	Aluminum, 6063-T5 min.	3/8"	0.050"
	Steel Stud, Gr. 33 min.	3/8"	0.045" (20 Ga)
3/16" Steel Ultracon+	A36 Steel	3/8"	0.050"
	Concrete (min. 2.9 ksi)	1"	1-3/4"
1/4" Steel Ultracon+	UngROUTED CMU, (ASTM C-90)	1"	1-1/4"
	Southern Pine (SG = .55)	1"	1-3/8"
	Concrete (min. 3.0 ksi)	1"	1-3/8"
	UngROUTED CMU, (ASTM C-90)	1"	1-1/4"
	Southern Pine (SG = .55)	1"	1-3/8"

INSTALLATION NOTES:
1) SEE SHEET 1 FOR ANCHOR SPACING REQUIREMENTS.
2) ANY INSTALLATION OPTION SHOWN (2X BUCK, 1X BUCK, DIRECT TO MASONRY, STEEL STUD) MAY BE USED ON ANY SIDE OF THE WINDOW
3) USE ONLY SUBSTRATE APPROPRIATE ANCHORS LISTED IN ANCHOR TABLE. FOLLOW EMBEDMENT AND EDGE DISTANCE LIMITS. MAX. SHIM THICKNESS TO BE 1/4". ANY INSTALLATION OPTION SHOWN MAY BE USED ON ANY OR ALL SIDES OF THE WINDOW.

1) HEAD EQUAL-LEG FRAME X-SECTION INTO 2X WOOD OR MASONRY
2) SILL EQUAL-LEG FRAME X-SECTION INTO 2X WOOD OR MASONRY
3) JAMB EQUAL-LEG FRAME X-SECTION THRU 1X INTO 2X WOOD OR MASONRY
4) JAMB EQUAL-LEG FRAME X-SECTION USING SCREWS INTO METAL
5) JAMB EQUAL-LEG FRAME X-SECTION THRU 1X INTO 2X WOOD OR MASONRY

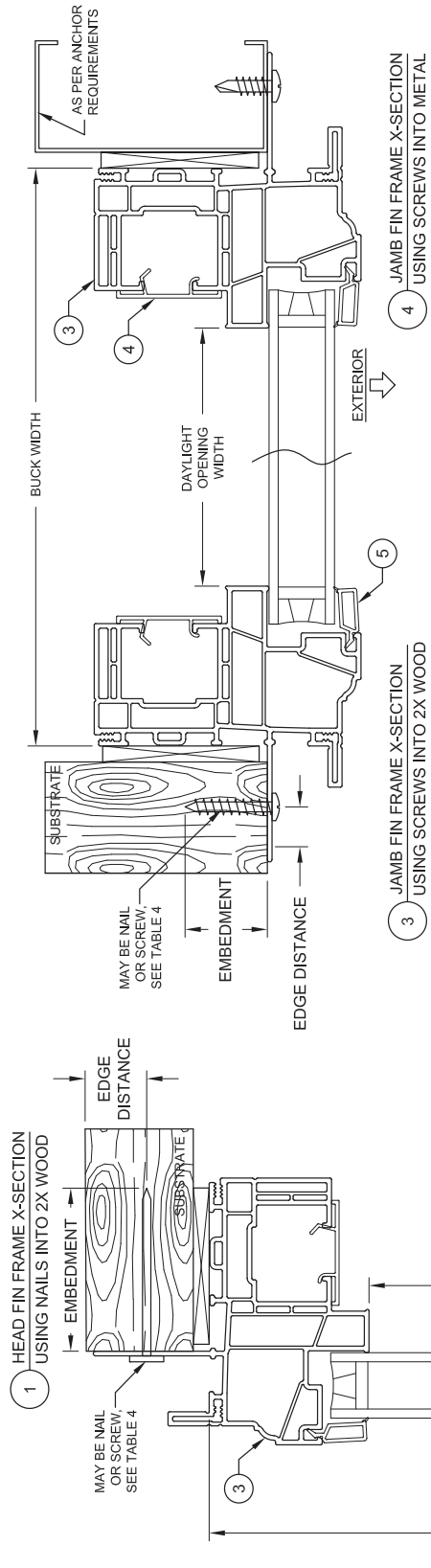
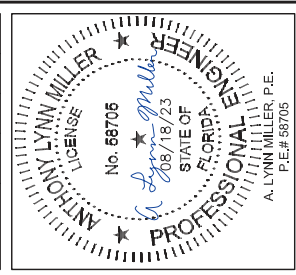


TABLE 4: INSTALLATION ANCHORS

Anchor	Substrate	Min. Edge Distance	Min. Embedment
#10 Steel SMS	2-1/2" x .113" Box Nail	5/16"	2-7/16"
	2-1/2" x .131" Common Nail	3/8"	2-7/16"
	2-1/2" x .145" Roofing Nail	3/8"	2-7/16"
	P.T. Southern Pine (SG = .55)	1/2"	1-3/8"
#10 Steel SMS	Aluminum, 6063-T5 min.	3/8"	1/8"
	Steel Stud, Gr. 33 min. A36 Steel	3/8"	0.036
		3/8"	1/8"

- ANCHOR MUST EXTEND A MINIMUM OF 3 THREADS BEYOND ANY METAL SUBSTRATE.
- ALL ANCHOR HEAD TYPES ARE APPLICABLE.

INSTALLATION NOTES:

- SEE SHEET 1 FOR SPACING REQUIREMENTS.
- FLANGE AND/OR FIN MAY BE REMOVED TO CREATE OTHER APPROVED FRAME TYPES.
- USE ONLY SUBSTRATE APPROPRIATE ANCHORS LISTED IN ANCHOR TABLE. FOLLOW EMBEDMENT AND EDGE DISTANCE LIMITS. ANY INSTALLATION OPTION SHOWN MAY BE USED ON ANY OR ALL SIDES OF THE WINDOW.
- MAX. SHIM THICKNESS TO BE 1/4". MAX. SHIM SPACING TO BE 18".

HYBRID CONFIGURATIONS (FLANGE FRAME/FIN FRAME) ALLOWED WITH MULLION INSTALLATION. SEE PAGE 7 FOR FLANGE FRAME INSTALLATION DETAILS.

1 HEAD FIN FRAME X-SECTION USING NAILS INTO 2X WOOD

2 SILL FIN FRAME X-SECTION USING NAILS INTO 2X WOOD

3 JAMB FIN FRAME X-SECTION USING SCREWS INTO 2X WOOD

4 JAMB FIN FRAME X-SECTION USING SCREWS INTO METAL

PREPARED BY A. LYNN MILLER
 1070 TECHNOLOGY DRIVE
 N. VENICE, FL 34275
 (941) 480-1600
Impact Resistant Windows & Doors
 CGI WINDOWS AND DOORS
 3780 W. 104TH STREET
 HIALEAH, FL 33018
 COPYRIGHT © 2023 PGT, INC., LIMITED LICENSE
 TO MAKE COPIES FOR PERMITTING.
 REGISTRATION #29296

DATE: 04/17/23
 BY: LOGAN YODER
 TITLE: OPERATOR

PROJECT: PW820V
 10 OF 10
 DRAWING: PW820V-FPA-NI

PROFESSIONAL ENGINEER
 ANTHONY LYNN MILLER
 LICENSE No. 58705
 08/18/23
 STATE OF FLORIDA
 A. LYNN MILLER, P.E.
 P.E.# 58705

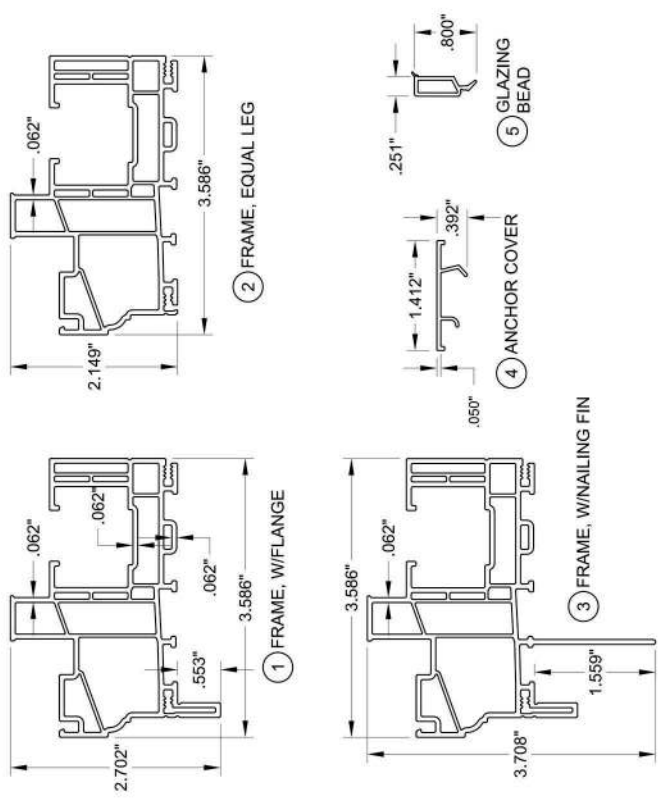


TABLE 5:

#	Part #	Description	Material
1	9465	Frame, w/Flange	PVC
2	9465	Frame, Equal Leg	PVC
3	9455	Frame, w/Nailing Fin	PVC
4	9473	Anchor Cover	PVC
5	9736	Glazing Bead	PVC
10		Backbedding: RGS7700, Dow 791/983/995	SILICONE
11		Metal or TPS Spacer	VARIES
12	7061	Setting Block, 1/8" x 7/8" x 2"	EPDM

THE APPROVED WHITE, RIGID PVC EXTERIOR EXTRUSIONS ARE TO BE PRODUCED BY EXTRUDERS' LICENSEES UNDER "AAMA CERTIFICATION PROGRAMS FOR RIGID PVC EXTRUSIONS".