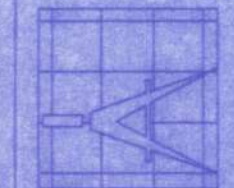


Will O'Freeman
1-9-15

CONTRERAS ADDITION

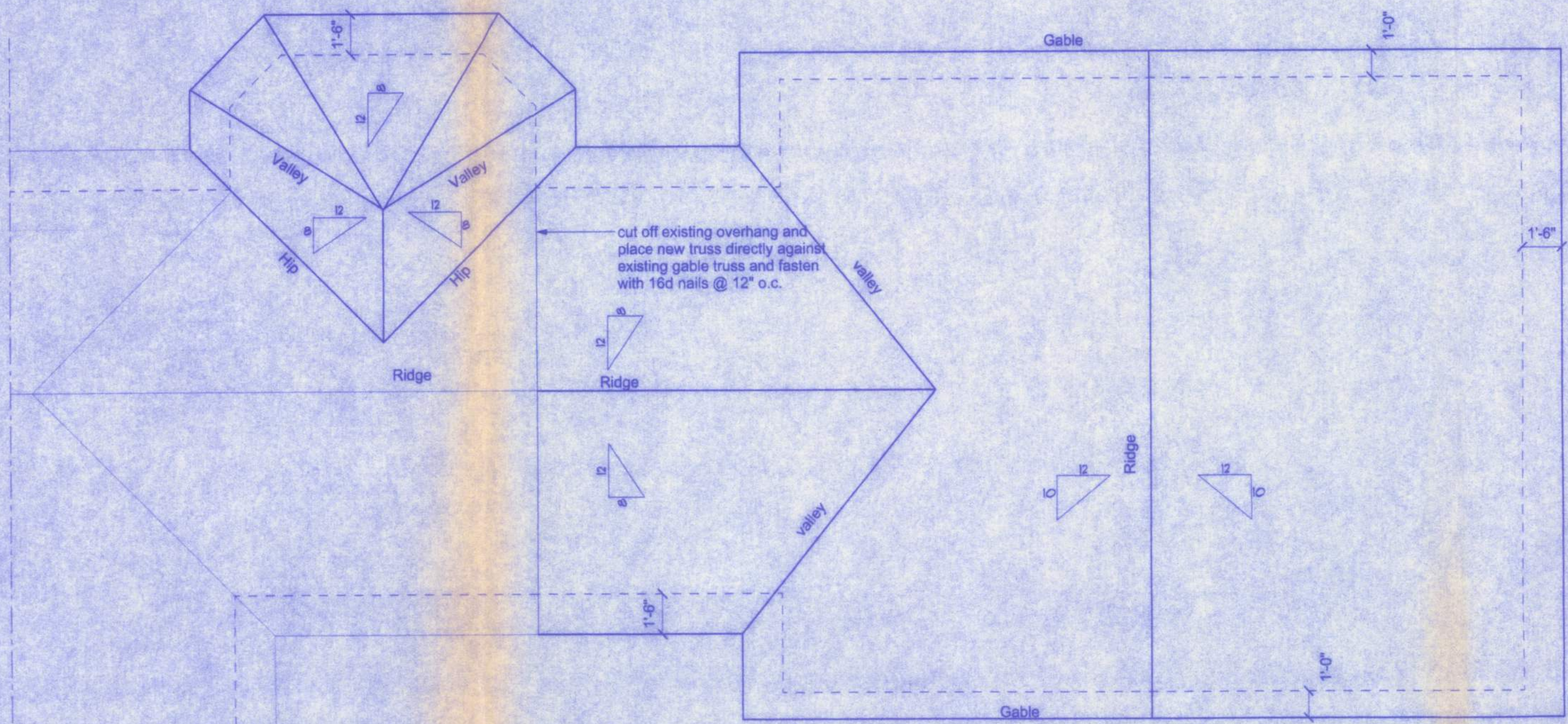
161 N.W. MADISON STREET
SUITE #102
LAKE CITY, FL 32055
(886)758-4209



Freeman
Design Group Inc.

DATE	DRAWN BY
10/5/05	W.H.F.
REVISIONS	
SHEET	A-4
OF	5
PROJECT NO. 05.R034	

CERTIFICATE OF AUTHORIZATION # 00006701



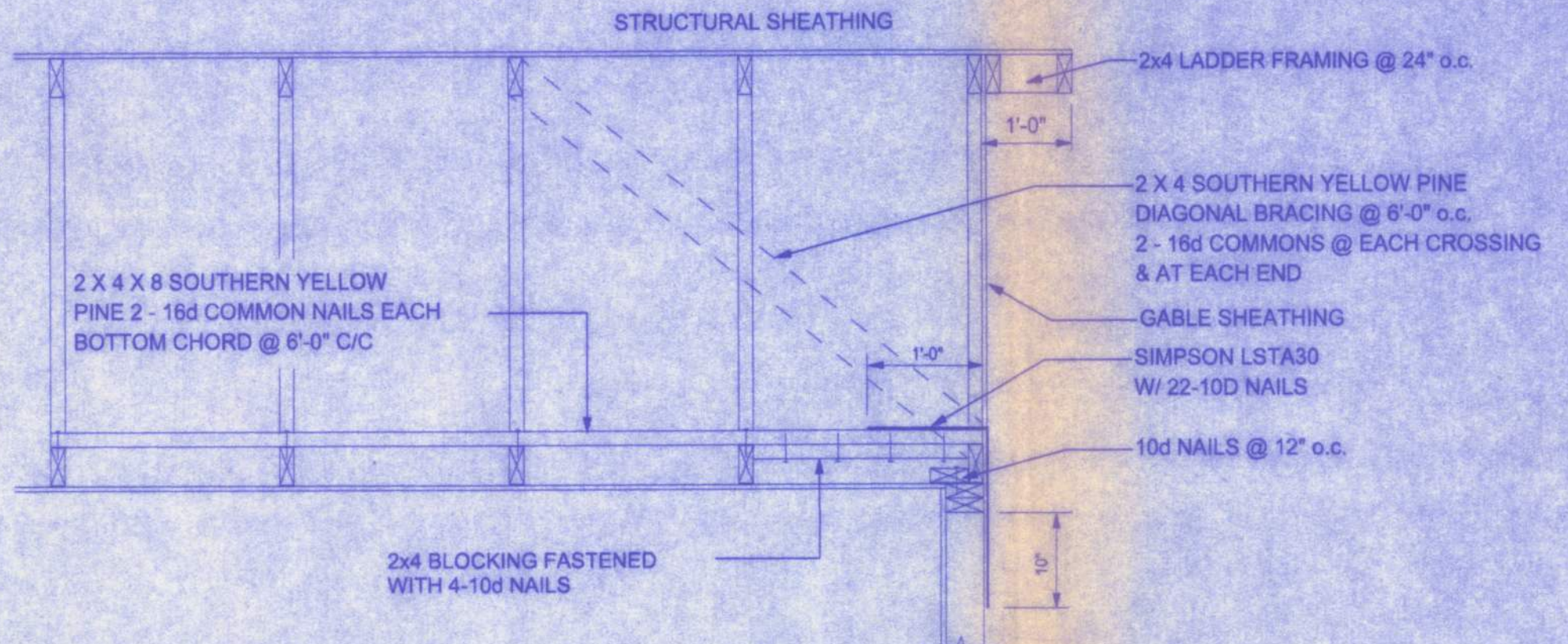
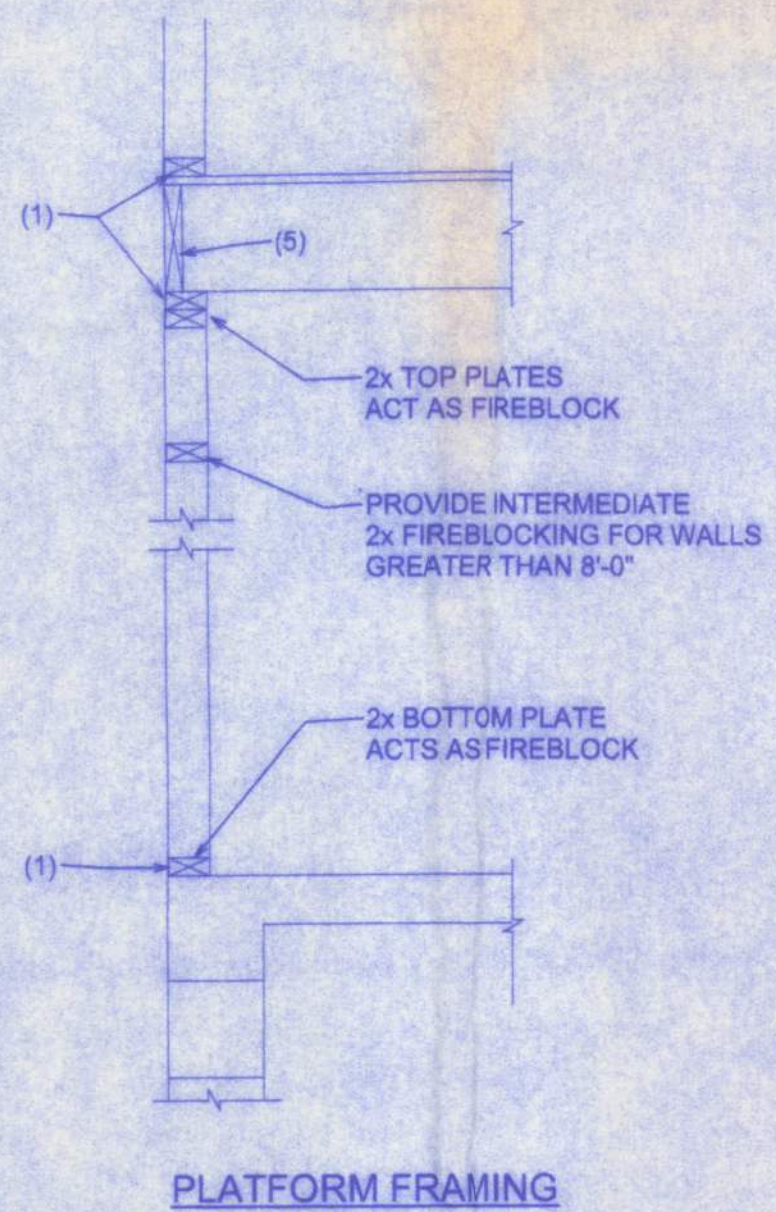
ROOF PLAN
SCALE: 1/4" = 1'-0"

HEADER SPANS FOR EXTERIOR BEARING WALLS

Headers Supporting	Size	Building Width (ft)					
		20'		28'		36'	
	Span	# jacks	Span	# jacks	Span	# jacks	
Roof, Ceiling	2-2x4	3'-6"	1	3'-2"	1	2'-10"	1
	2-2x6	5'-5"	1	4'-8"	1	4'-2"	1
	2-2x8	6'-10"	1	5'-11"	2	5'-4"	1
	2-2x10	8'-5"	2	7'-3"	2	6'-6"	2
	2-2x12	9'-9"	2	8'-5"	2	7'-6"	2
	3-2x6	8'-4"	1	7'-5"	1	6'-8"	1
	3-2x10	10'-6"	1	9'-1"	2	8'-2"	1
	3-2x12	12'-2"	2	10'-7"	2	9'-5"	2
	4-2x8	9'-2"	1	8'-4"	1	9'-2"	1
	4-2x10	11'-8"	1	10'-6"	1	9'-5"	1
	4-2x12	14'-1"	1	12'-2"	2	10'-11"	1

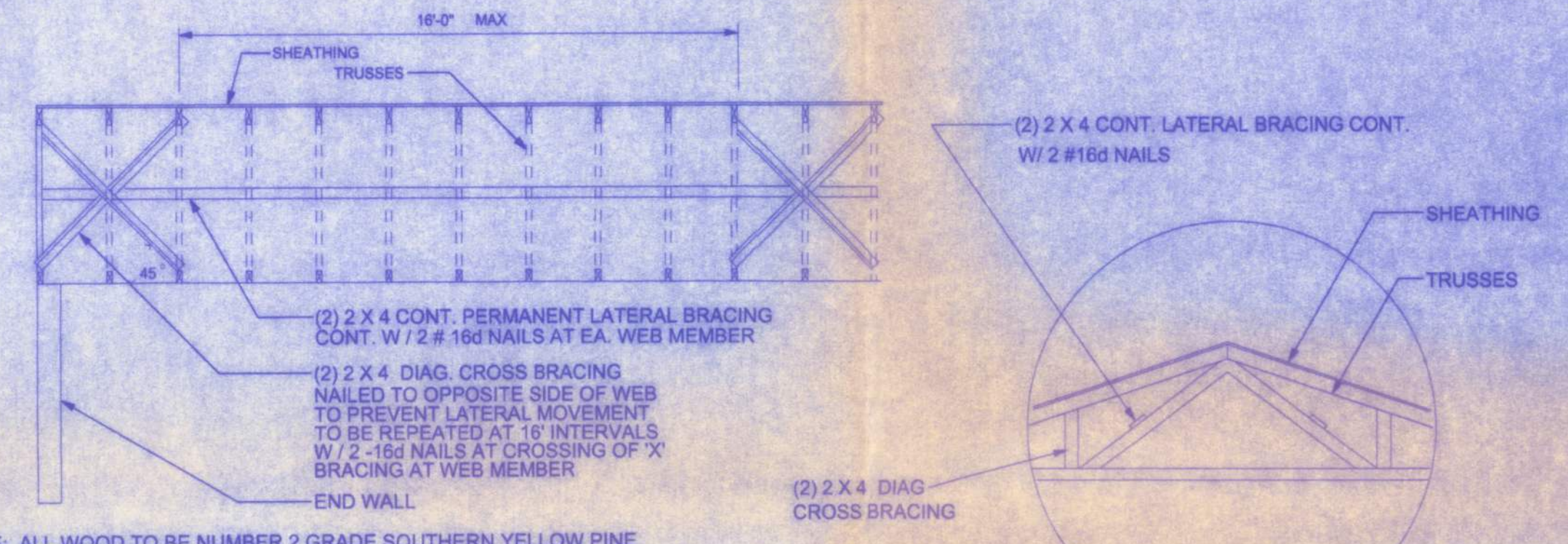
CONNECTOR SCHEDULE FOR TRUSS ANCHORAGE

CONNECTOR	TRUSS	TOP PLATE	UPLIFT PROVIDED	MANUFACTURER
H2.5	5-8d NAILS	5-8d NAILS	365 LBS	SIMPSON
H10	8-8d NAILS	8-8d NAILS	850 LBS	SIMPSON
MTS12	7-10d NAILS	7-10d NAILS	1,000 LBS	SIMPSON
H16	2-10d NAILS	10-10d NAILS	1,300 LBS	SIMPSON
(2)HTS20	10-10d NAILS	10-10d NAILS	2 x 1,450 = 2,900 LBS	SIMPSON



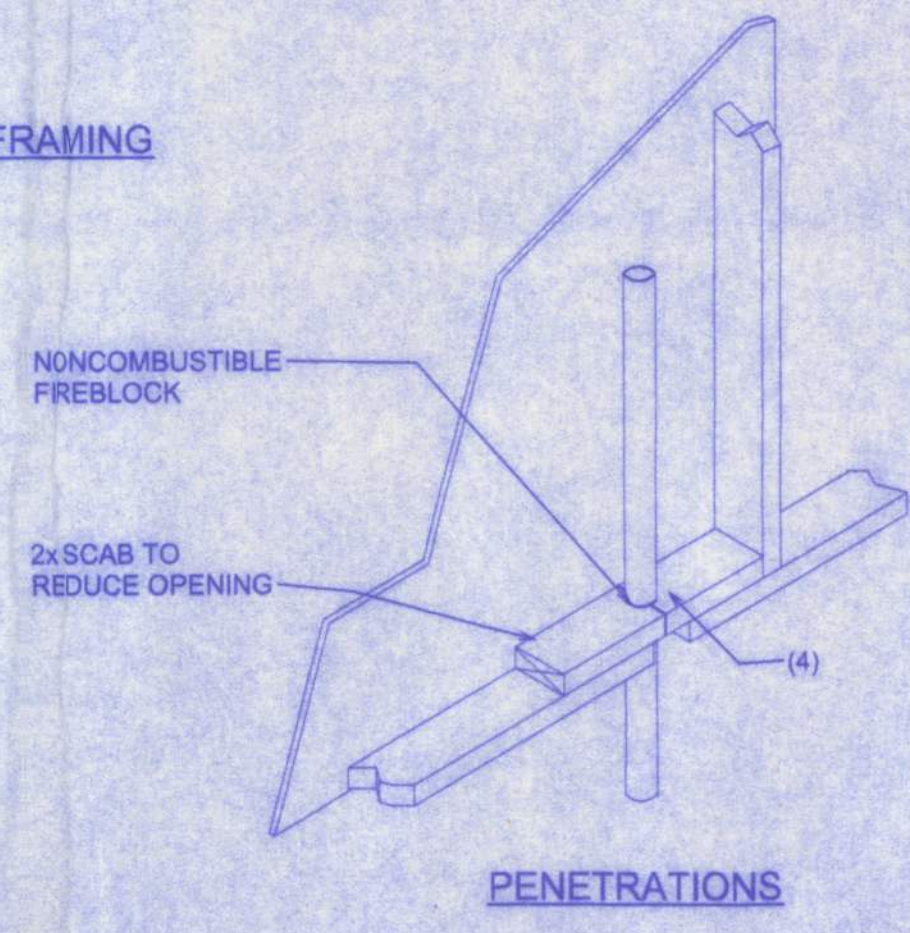
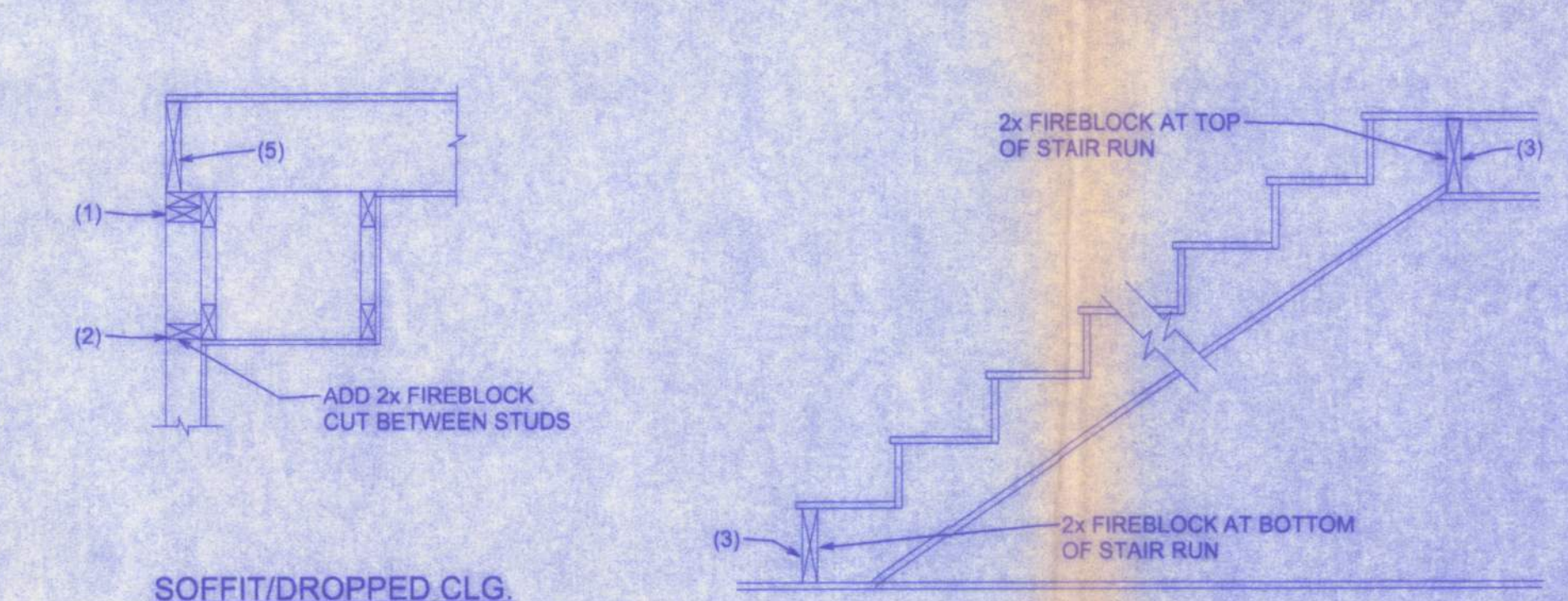
END WALL BRACING FOR CEILING DIAPHRAGM

NTS
NOTE: ALL WOOD TO BE NUMBER 2 GRADE SOUTHERN YELLOW PINE



NOTE: ALL WOOD TO BE NUMBER 2 GRADE SOUTHERN YELLOW PINE

TYPICAL PERMANENT TRUSS BRACING DIAGRAM



FIREBLOCKING NOTES:

- FIREBLOCKING SHALL BE INSTALLED IN WOOD FRAME CONSTRUCTION IN THE FOLLOWING LOCATIONS:
- IN CONCEALED SPACES OF STUD WALLS AND PARTITIONS INCLUDING FURRED SPACES AT CEILING AND FLOOR LEVELS.
 - AT ALL INTERCONNECTIONS BETWEEN CONCEALED VERTICAL AND HORIZONTAL SPACES SUCH AS OCCUR AT SOFFITS, DROP CEILINGS, COVE CEILINGS, ETC.
 - IN CONCEALED SPACES BETWEEN STAIR STRINGERS AT THE TOP AND BOTTOM OF THE RUN.
 - AT OPENINGS AROUND VENTS, PIPES, DUCTS, CHIMNEYS AND FIREPLACES AT CEILING AND FLOOR LEVELS WITH PYRO PANEL MULTIFLEX SEALANT
 - AT ALL INTERCONNECTIONS BETWEEN CONCEALED VERTICAL STUD WALL OR PARTITION SPACES AND CONCEALED SPACES CREATED BY AN ASSEMBLY OF FLOOR JOISTS, FIREBLOCKING SHALL BE PROVIDED FOR THE FULL DEPTH OF THE JOISTS AT THE ENDS AND OVER THE SUPPORTS.