



TOWER OWNER SITE NAME: EBENEZER  
 TOWER OWNER SITE NUMBER: US-FL-5391  
 MDG LOCATION ID: 5000080217  
 SITE NAME: EBENEZER - C  
 STRUCTURE TYPE: 250' SELF-SUPPORT TOWER  
 MARKET: JACKSONVILLE  
 PROJECT TYPE: C-BAND ACTIVATION / 1TOUCH LTE CARRIER ADD

PREPARED BY

TELECOM DESIGN GROUP  
 6505 N HIMES AVE  
 TAMPA, FLORIDA 33614  
 (813) 353-0026  
 FL CA # 31014

DISCLAIMER:  
 NO COPIES, REPRODUCTIONS, TRANSMISSIONS OR ELECTRONIC MANIPULATION OF ANY PORTION OF THESE DRAWINGS IN WHOLE OR IN PART ARE TO BE MADE WITHOUT THE EXPRESS WRITTEN PERMISSION OF CBVR TELECOM DESIGN GROUP. ALL DESIGNS INDICATED IN THESE DRAWINGS ARE PROPERTY OF CBVR TELECOM DESIGN GROUP. ALL COPYRIGHTS RESERVED (C) 2026. THESE PLANS ARE FOR BUILDING DEPARTMENT REVIEW ONLY THEY ARE NOT TO BE CONSTRUED AS CONSTRUCTION DOCUMENTS UNTIL ALL BUILDING DEPARTMENT APPROVALS ARE OBTAINED.

PROFESSIONAL SEAL

01/14/2026

PREPARED FOR

7701 E TELECOM PKWY  
 TEMPLE TERRACE, FL 33637

PROJECT INFORMATION

5000080217  
 EBENEZER - C  
 6295 SE COUNTY ROAD 245  
 LAKE CITY, FL 32025

CBVR PROJECT #: VZW.301.25

ISSUED DATES	
0	FOR PERMIT / CONSTRUCTION 01.14.26

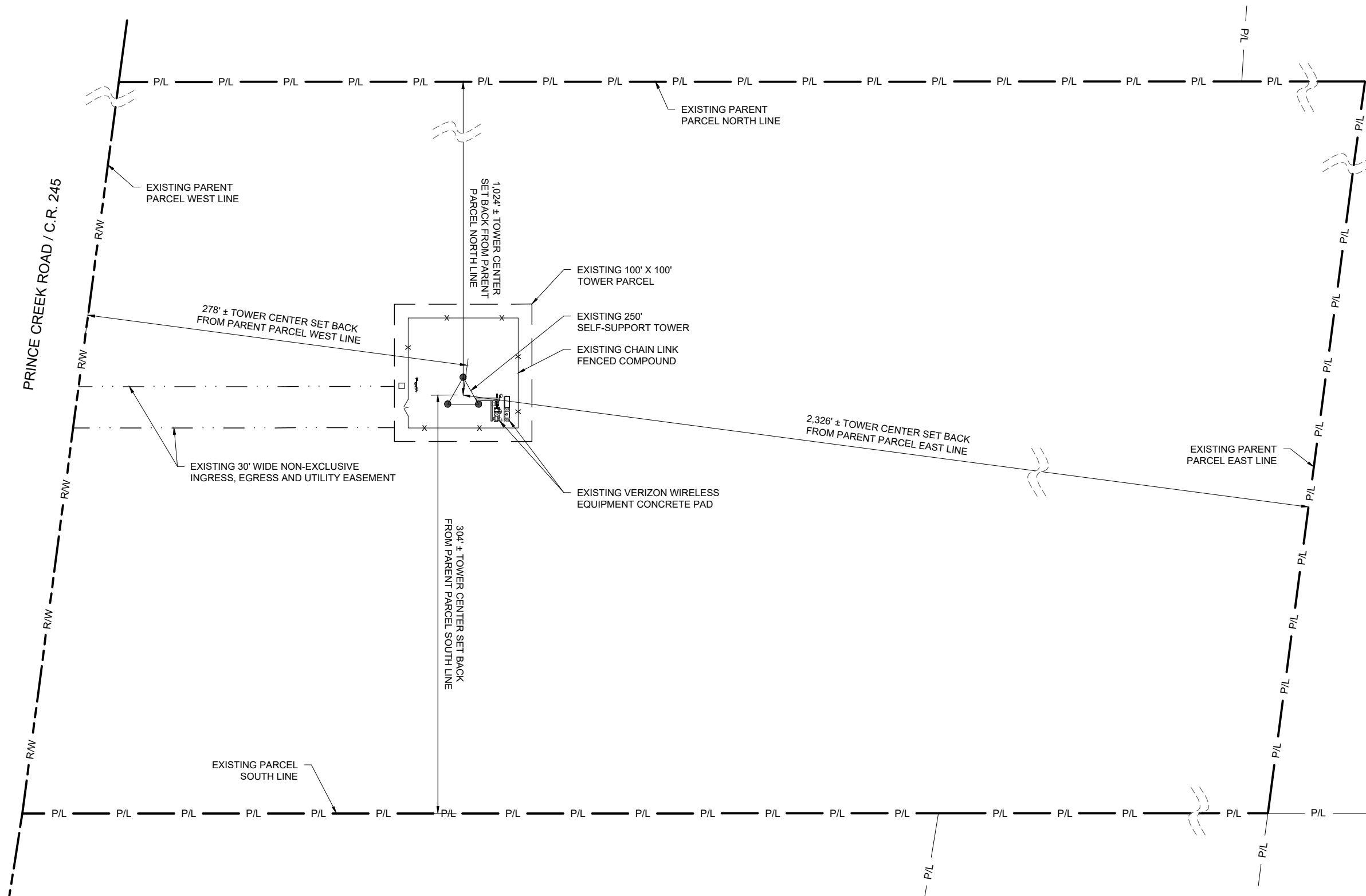
SHEET NAME

TITLE SHEET

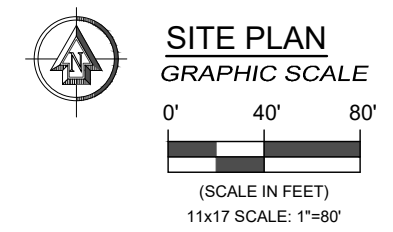
SHEET NUMBER

T-1

LOCATION SKETCH	CONTACT INFORMATION	SCOPE OF WORK	LIST OF DRAWINGS
<p><b>SITE LOCATION</b></p>	<p><b>APPLICANT:</b>            VERIZON WIRELESS            7701 E TELECOM PKWY            TEMPLE TERRACE, FL 33637</p> <p><b>TOWER OWNER:</b>            THE TOWERS, LLC            750 PARK OF COMMERCE DR. STE 200            BOCA RATON, FL 33487</p>	<p>THE SCOPE OF WORK CONSISTS OF MODIFYING COMMUNICATIONS INSTALLATION ON AN EXISTING TOWER:</p> <p><b>EQUIPMENT PAD:</b></p> <ul style="list-style-type: none"> <li>(NO REQUIRED CHANGES AT GROUND LEVEL)</li> </ul> <p><b>TOWER RAD:</b></p> <ul style="list-style-type: none"> <li>REMOVE (6) NHH-65C-R2B ANTENNAS</li> <li>REMOVE (3) AIR 6449 ANTENNAS</li> <li>REMOVE (3) 4449 RRUS</li> <li>REMOVE (6) 8843 RRUS</li> <li>INSTALL (3) AIR 3283 ANTENNAS</li> <li>INSTALL (3) AIR 6419 ANTENNAS</li> <li>INSTALL (6) NHH-65C-HG-R2B ANTENNAS.</li> <li>INSTALL (3) RRU 4490'S.</li> <li>RETAIN (2) OVP-12'S.</li> <li>RETAIN (2) 12/24 HYBRID CABLES.</li> </ul>	<p><b>SITE GENERAL ARRANGEMENT PLANS</b></p> <p>T-1 TITLE SHEET</p> <p><b>ARCHITECTURAL/ CIVIL PLANS</b></p> <p>C-1 SITE PLAN            C-2 EQUIPMENT AREA PLAN            C-3 TOWER ELEVATION &amp; ANTENNA MOUNT DETAILS            C-4 EQUIPMENT DETAILS            C-5 PROPOSED ANTENNA &amp; CABLE SCHEDULE</p> <p><b>ELECTRICAL PLANS</b></p> <p>E-1 GROUNDING DETAILS</p>
	<p><b>SITE DIRECTIONS</b></p> <p><i>From I-10 &amp; I-295 (Jacksonville):</i></p> <ol style="list-style-type: none"> <li>Head west on I-10 W (go 32.4 mi)</li> <li>Take exit 324 toward Olustee (go 0.3 mi)</li> <li>Turn left onto US-90 W (go 18.0 mi)</li> <li>Turn left onto SE County Rd 245/Price Creek Rd (go 6.3 mi)</li> <li>Turn left (go 364 ft)</li> <li>Destination will be on the left</li> </ol>		<p><b>ARCHITECT/ ENGINEER:</b>            CBVR/ MARIA V. MARTIN, PE            6505 N HIMES AVE            TAMF</p> <p><b>SITE INFORMATION</b></p> <p>PARCEL ID #: 36-4S-17-09045-000            JURISDICTION: COLUMBIA COUNTY            COUNTY: COLUMBIA            LATITUDE: 30° 06' 10.79" NORTH (NAD 83)            LONGITUDE: 82° 34' 26.95" WEST (NAD 83)            FAA OVERALL HEIGHT: 260'</p>
		<p><b>APPLICABLE CODES</b></p> <ul style="list-style-type: none"> <li>FLORIDA BUILDING CODE 2023 (8th EDITION)</li> <li>WIND DESIGN CRITERIA               <ul style="list-style-type: none"> <li>A. ASCE 7-22</li> <li>ULTIMATE WIND SPEED = 120 MPH</li> <li>RISK CATEGORY = II</li> <li>EXPOSURE = C</li> </ul> </li> <li>B. ANSI/ TIA-222-H</li> <li>STRUCTURE CLASS = II</li> <li>TOPOGRAPHIC CATEGORY = 1</li> <li>FLORIDA FIRE PREVENTION CODE - 2023 (8TH EDITION)</li> <li>NATIONAL ELECTRIC CODE (2020)</li> <li>CITY AND OR COUNTY ORDINANCES</li> </ul>	



- NOTES:**
- ALL DRAWINGS HAVE BEEN PREPARED WITHOUT THE AID OF A SURVEY OR A TITLE
  - ALL DIMENSIONS, PROPERTY LINES, AND RIGHT OF WAYS ARE APPROXIMATE BASED UPON AVAILABLE ONLINE RESOURCES
  - CONTRACTOR SHALL RESTORE AND REPAIR ANY DAMAGED AREAS CAUSED BY CONSTRUCTION TO ORIGINAL OR BETTER CONDITION
  - ALL NEW WORK TO BE PERFORMED PER LATEST VERIZON WIRELESS STANDARDS & SPECIFICATIONS



PREPARED BY

# CBVR

TELECOM DESIGN GROUP

6505 N HIMES AVE  
TAMPA, FLORIDA 33614  
(813) 353-0026  
FL CA # 31014

DISCLAIMER:  
NO COPIES, REPRODUCTIONS, TRANSMISSIONS OR ELECTRONIC MANIPULATION OF ANY PORTION OF THESE DRAWINGS IN WHOLE OR IN PART ARE TO BE MADE WITHOUT THE EXPRESS WRITTEN PERMISSION OF CBVR TELECOM DESIGN GROUP. ALL DESIGNS INDICATED IN THESE DRAWINGS ARE PROPERTY OF CBVR TELECOM DESIGN GROUP. ALL COPYRIGHTS RESERVED (C) 2026. THESE PLANS ARE FOR BUILDING DEPARTMENT REVIEW ONLY THEY ARE NOT TO BE CONSTRUED AS CONSTRUCTION DOCUMENTS UNTIL ALL BUILDING DEPARTMENT APPROVALS ARE OBTAINED.

PROFESSIONAL SEAL

01/14/2026

PREPARED FOR

# verizon

7701 E TELECOM PKWY  
TEMPLE TERRACE, FL 33637

PROJECT INFORMATION

5000080217  
EBENEZER - C  
6295 SE COUNTY ROAD 245  
LAKE CITY, FL 32025  
CBVR PROJECT #: VZW.301.25

ISSUED DATES	
0	FOR PERMIT / CONSTRUCTION 01.14.26

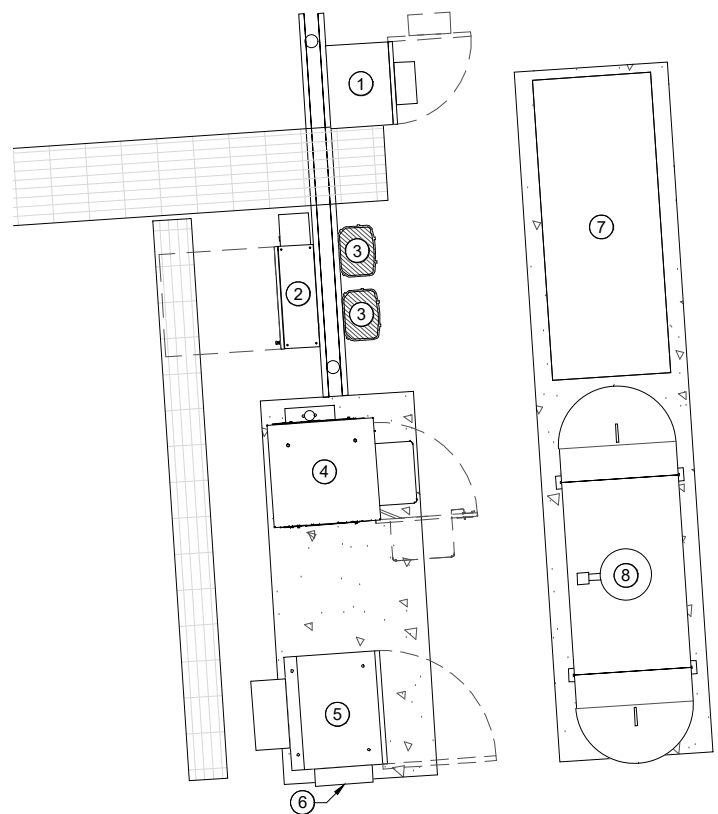
SHEET NAME

## SITE PLAN

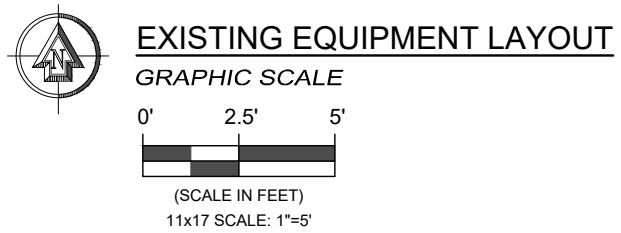
SHEET NUMBER

### C-1

**NOTE:**  
 ALL EXISTING AND PROPOSED EQUIPMENT CONFIGURATIONS  
 SHALL BE FIELD VERIFIED AND CONFIRMED BY GC WITH THE  
 VERIZON WIRELESS CONSTRUCTION MANAGER.



- LEGEND**
- ① DARK FIBER CABINET
  - ② 200A ILC
  - ③ OVP-12
  - ④ CONSOLIDATED CABINET
  - ⑤ MW CABINET
  - ⑥ ELECTRICAL PANEL
  - ⑦ 35KW LP GENERATOR
  - ⑧ 500GAL LP TANK



**NOTE:**  
 (NO REQUIRED WORK AT GROUND LEVEL)

PREPARED BY

**CBVR**  
 TELECOM DESIGN GROUP

6505 N HIMES AVE  
 TAMPA, FLORIDA 33614  
 (813) 353-0026  
 FL CA # 31014

DISCLAIMER:  
 NO COPIES, REPRODUCTIONS, TRANSMISSIONS OR ELECTRONIC MANIPULATION  
 OF ANY PORTION OF THESE DRAWINGS IN WHOLE OR IN PART ARE TO BE MADE  
 WITHOUT THE EXPRESS WRITTEN PERMISSION OF CBVR TELECOM DESIGN  
 GROUP. ALL DESIGNS INDICATED IN THESE DRAWINGS ARE PROPERTY OF CBVR  
 TELECOM DESIGN GROUP. ALL COPYRIGHTS RESERVED (C) 2026. THESE PLANS  
 ARE FOR BUILDING DEPARTMENT REVIEW ONLY THEY ARE NOT TO BE  
 CONSTRUED AS CONSTRUCTION DOCUMENTS UNTIL ALL BUILDING DEPARTMENT  
 APPROVALS ARE OBTAINED.

PROFESSIONAL SEAL

01/14/2026

PREPARED FOR

7701 E TELECOM PKWY  
 TEMPLE TERRACE, FL 33637

PROJECT INFORMATION

5000080217  
 EBENEZER - C  
 6295 SE COUNTY ROAD 245  
 LAKE CITY, FL 32025

CBVR PROJECT #: VZW.301.25

ISSUED DATES

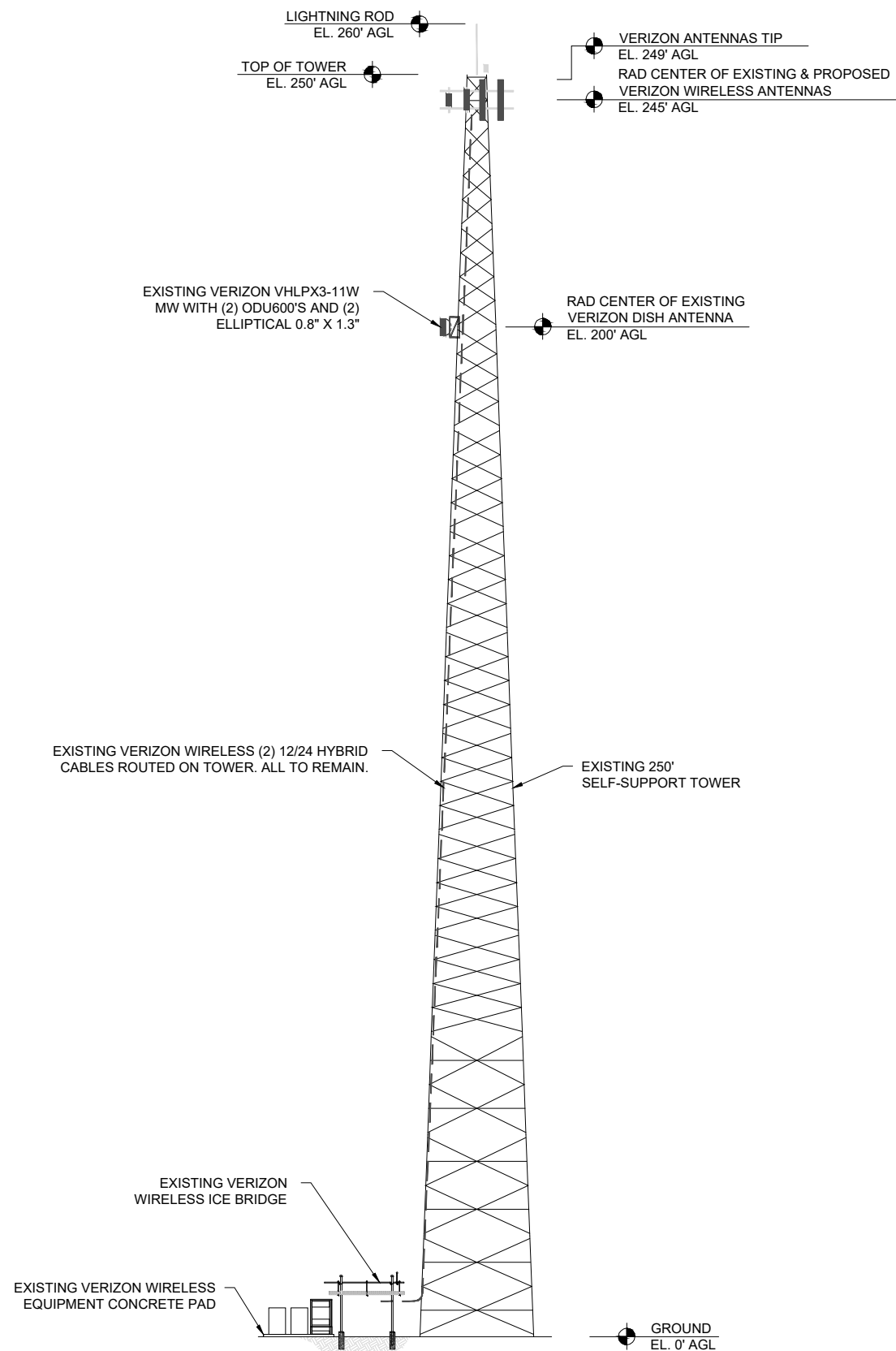
NO	FOR PERMIT / CONSTRUCTION	DATE
0	FOR PERMIT / CONSTRUCTION	01.14.26

SHEET NAME

**EQUIPMENT AREA PLAN**

SHEET NUMBER

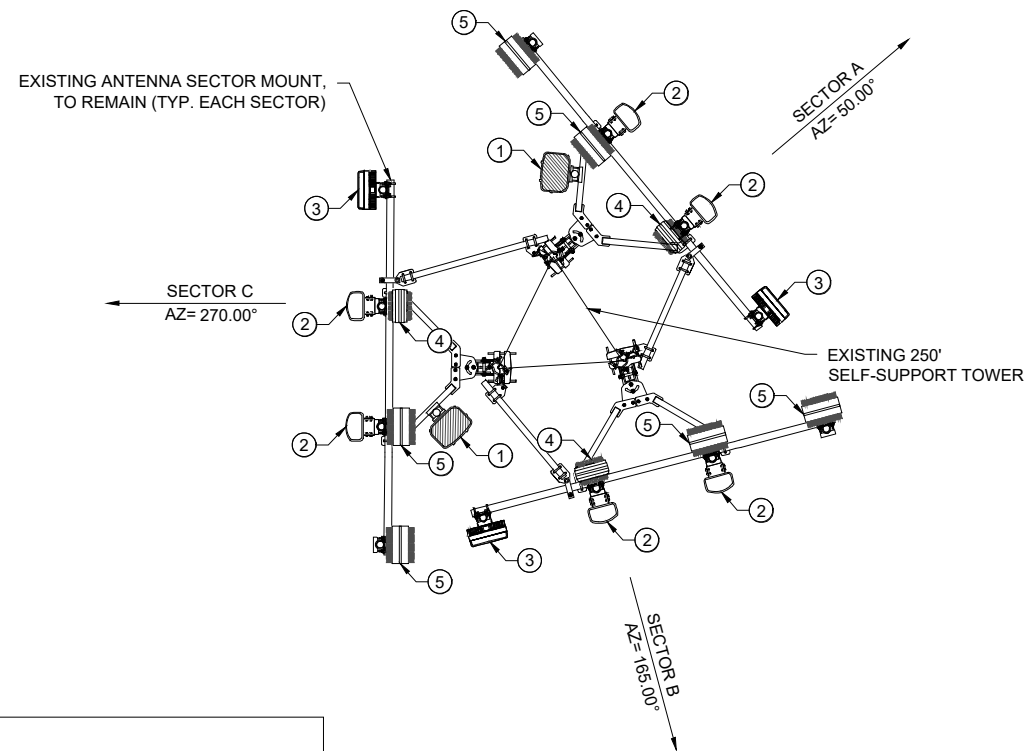
**C-2**



**TOWER ELEVATION**

NOT TO SCALE

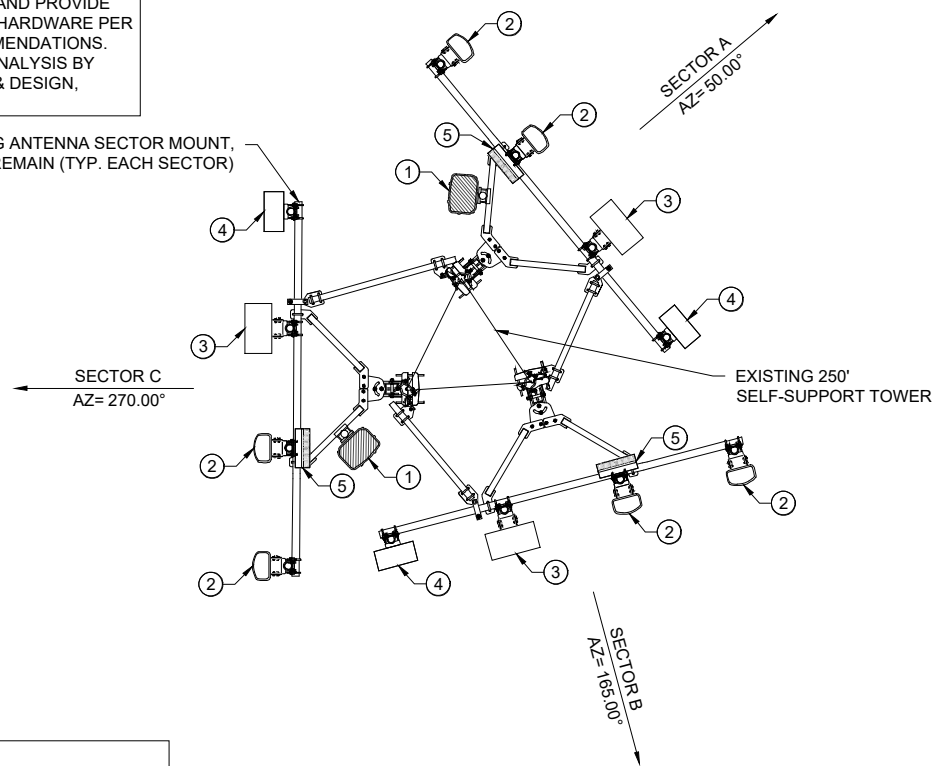
- NOTES:**
1. CONTRACTOR TO FIELD VERIFY ANTENNA MOUNT CONFIGURATION AND PROVIDE MOUNTS OR ADDITIONAL HARDWARE IF REQUIRED TO SUPPORT PROPOSED EQUIPMENT.
  2. ALL EQUIPMENT AND MOUNTING HARDWARE SHALL CONFORM TO DESIGN REQUIREMENTS PER FLORIDA BUILDING CODE (8TH EDITION, 2023), ANSI/ TIA-222-H AND ASCE 7-22 STRUCTURAL STANDARD FOR ANTENNA SUPPORTING STRUCTURES AND ANTENNAS; ULTIMATE WIND SPEED 120 MPH, 3 SECOND GUST.
  3. AZIMUTH INFO TAKEN FROM VERIZON WIRELESS RF SITE DESIGN DATA. TOWER AND ANTENNAS HEIGHTS TAKEN FROM RECENT TOWER SURVEY DATA.
  4. REFERENCE STRUCTURAL ANALYSIS REPORT BY B+T GROUP; DATED 11/26/2025.



**LEGEND**

- 1 OVP-12
- 2 NHH-65C-R2B ANTENNA (TO BE REMOVED)
- 3 AIR 6449 ANTENNA (TO BE REMOVED)
- 4 RRU 4449 (TO BE REMOVED)
- 5 RRU 8843 (TO BE REMOVED)

**NOTE:**  
CONTRACTOR TO FIELD VERIFY ANTENNA MOUNT CONFIGURATION AND PROVIDE MOUNTS OR ADDITIONAL HARDWARE PER MANUFACTURER RECOMMENDATIONS. REFERENCE TO MOUNT ANALYSIS BY COLLIER ENGINEERING & DESIGN, DATED 10/27/2025.



**LEGEND**

- 1 OVP-12
- 2 PROPOSED NHH-65C-HG-R2B ANTENNA
- 3 PROPOSED AIR 3283 ANTENNA
- 4 PROPOSED AIR 6419 ANTENNA
- 5 PROPOSED RRU 4490



PREPARED BY

**CBVR**  
TELECOM DESIGN GROUP

6505 N HIMES AVE  
TAMPA, FLORIDA 33614  
(813) 353-0026  
FL CA # 31014

DISCLAIMER:  
NO COPIES, REPRODUCTIONS, TRANSMISSIONS OR ELECTRONIC MANIPULATION OF ANY PORTION OF THESE DRAWINGS IN WHOLE OR IN PART ARE TO BE MADE WITHOUT THE EXPRESS WRITTEN PERMISSION OF CBVR TELECOM DESIGN GROUP. ALL DESIGNS INDICATED IN THESE DRAWINGS ARE PROPERTY OF CBVR TELECOM DESIGN GROUP. ALL COPYRIGHTS RESERVED (C) 2026. THESE PLANS ARE FOR BUILDING DEPARTMENT REVIEW ONLY THEY ARE NOT TO BE CONSTRUED AS CONSTRUCTION DOCUMENTS UNTIL ALL BUILDING DEPARTMENT APPROVALS ARE OBTAINED.

PROFESSIONAL SEAL

01/14/2026

PREPARED FOR

7701 E TELECOM PKWY  
TEMPLE TERRACE, FL 33637

PROJECT INFORMATION

5000080217  
EBENEZER - C  
6295 SE COUNTY ROAD 245  
LAKE CITY, FL 32025  
CBVR PROJECT #: VZW.301.25

ISSUED DATES	
0	FOR PERMIT / CONSTRUCTION 01.14.26

SHEET NAME

**TOWER ELEVATION & ANTENNA MOUNT DETAILS**

SHEET NUMBER

**C-3**

# AIR3283 B25+B66 dual band

- 32 TX/RX B25+B66 dual band
- LTE and NR support
- 320 W total shared RF output power (max 240W/Band)
- Full band IBW, TCBW 100 MHz shared between bands
  - Max 60 MHz CBW/Band
- Max 3 carriers/Band
- 8 column x 2 rows antenna, 192 antenna elements
- RET 2-12°downtilt
- Interface: 2 x 25Gb eCPRI

AIR3283- B25 & B66	Height	Width	Depth	Weight
w/o protruding items	47.2 In (1200 mm)	28 In (568 mm)	10.9 In (277 mm)	~110 lbs (50 Kg)
w protruding items	47.2 In (1200 mm)	28 In (568 mm)	12.9 In (328 mm)	

- -48v DC, 3 wire or 2 wire, 50A fuse
- Max Power consumption @100 Load: TBD W
- Power Consumption @ 50% load: TBD W

Pending Commercial Agreement



Now confirmed max measurements/ will not exceed

## AIR 3283 ANTENNA SPECIFICATIONS

# Radio 4490HP 44B5 44B13 C

- 4 common RF ports (C)
- B5: 4x60W, B13: 4x60W
- 480W total RF output power
- L, NR, NB-IoT
- 2x 2.5/4.9/9.8/10.1/24.3 Gbps CPRI/eCPRI

Radio 4490HP 44B5 44B13 C	Height	Width	Depth	Weight
w/o protruding items	17.6 In (444 mm)	15.2 In (384 mm)	6.8 In (172 mm)	~68.4 lbs (~31 kg)
w protruding items	20.6 In (522 mm)	15.7 In (397 mm)	7.0 In (178 mm)	

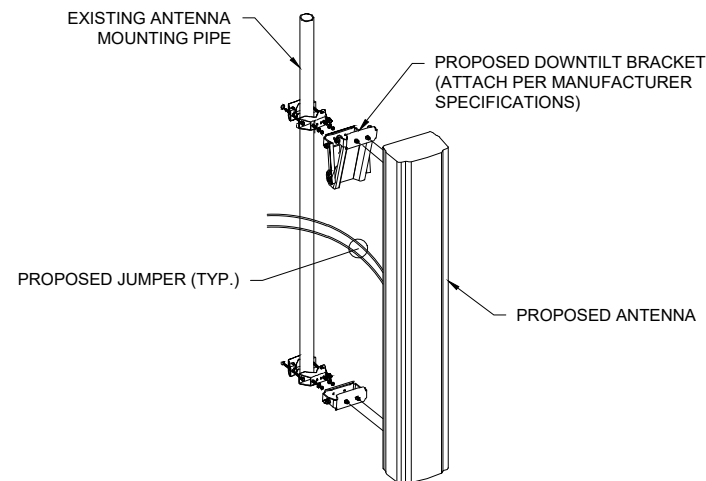
- -48 VDC 2-wire (one DC connector input)
- AISG v3.0 IMA & RE I support via RS-485 or RF connectors
- Type 4.3-10 RF + connectors
- 2 external alarm
- Convectional cooling
  - Optional fan for increased size flexibility
- IP 65, -40 to +55°C

Pending Commercial Agreements



Now confirmed max measurements/ will not exceed

## RRU4490 DETAIL



## ANTENNA MOUNT DETAIL

# AIR 6419 B77D/ C-Band

- Advanced Antenna System (AAS)
- 64TX/64RX with 192 AE, (3x1)x(4x8) x-pol
- Up to 320W, PSD 4W/MHz
- EIRP up to 79 dBm
- Up to 200 MHz IBW
- Max total carrier BW: 200MHz for NR
- Support number of layers: DL/UL 16/8

AIR 6419 B77D/ C-Band	Height	Width	Depth	Weight
w/o protruding items	28.3 In (717 mm)	18.1 In (459 mm)	8.0 In (203 mm)	~110 lbs (50 Kg)
w protruding items	31.3 In (793 mm)	18.1 In (459 mm)	8.1 In (206 mm)	

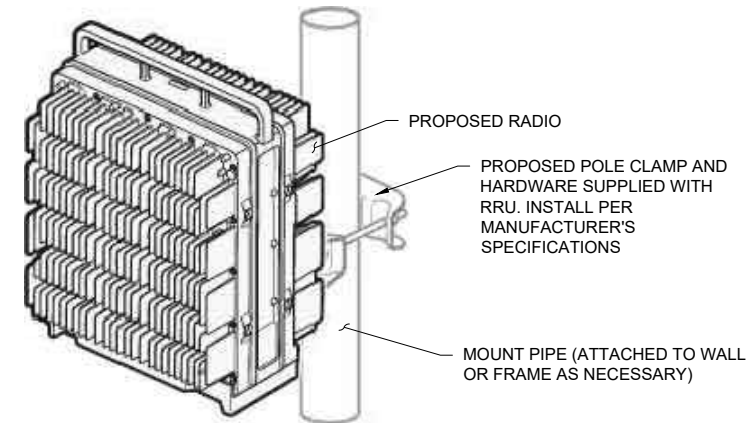
- -48 VDC (3-wire or 2-wire), Fuse Minimum 40 A, maximum 50 A
- Power consumption: TBD
- -40 to +55°C

Pending Commercial Agreements



max measurements/ will not exceed

## AIR 6419 ANTENNA SPECIFICATIONS



## RADIO PIPE MOUNT DETAIL

PREPARED BY

**CBVR**  
TELECOM DESIGN GROUP

6505 N HIMES AVE  
TAMPA, FLORIDA 33614  
(813) 353-0026  
FL CA # 31014

DISCLAIMER:  
NO COPIES, REPRODUCTIONS, TRANSMISSIONS OR ELECTRONIC MANIPULATION OF ANY PORTION OF THESE DRAWINGS IN WHOLE OR IN PART ARE TO BE MADE WITHOUT THE EXPRESS WRITTEN PERMISSION OF CBVR TELECOM DESIGN GROUP. ALL DESIGNS INDICATED IN THESE DRAWINGS ARE PROPERTY OF CBVR TELECOM DESIGN GROUP. ALL COPYRIGHTS RESERVED (C) 2020. THESE PLANS ARE FOR BUILDING DEPARTMENT REVIEW ONLY THEY ARE NOT TO BE CONSTRUED AS CONSTRUCTION DOCUMENTS UNTIL ALL BUILDING DEPARTMENT APPROVALS ARE OBTAINED.

PROFESSIONAL SEAL

01/14/2026

PREPARED FOR

7701 E TELECOM PKWY  
TEMPLE TERRACE, FL 33637

PROJECT INFORMATION

5000080217  
EBENEZER - C  
6295 SE COUNTY ROAD 245  
LAKE CITY, FL 32025

CBVR PROJECT #: VZW.301.25

ISSUED DATES	
0	FOR PERMIT / CONSTRUCTION 01.14.26

SHEET NAME

**EQUIPMENT DETAILS**

SHEET NUMBER

**C-4**

PREPARED BY



**CBVR**  
TELECOM DESIGN GROUP  
6505 N HIMES AVE  
TAMPA, FLORIDA 33614  
(813) 353-0026  
FL CA # 31014

DISCLAIMER:  
NO COPIES, REPRODUCTIONS, TRANSMISSIONS OR ELECTRONIC MANIPULATION OF ANY PORTION OF THESE DRAWINGS IN WHOLE OR IN PART ARE TO BE MADE WITHOUT THE EXPRESS WRITTEN PERMISSION OF CBVR TELECOM DESIGN GROUP. ALL DESIGNS INDICATED IN THESE DRAWINGS ARE PROPERTY OF CBVR TELECOM DESIGN GROUP. ALL COPYRIGHTS RESERVED (C) 2026. THESE PLANS ARE FOR BUILDING DEPARTMENT REVIEW ONLY THEY ARE NOT TO BE CONSTRUED AS CONSTRUCTION DOCUMENTS UNTIL ALL BUILDING DEPARTMENT APPROVALS ARE OBTAINED.

PROFESSIONAL SEAL



01/14/2026

PROPOSED ANTENNA & CABLE SCHEDULE																	
SECTOR	POS.	USE	MANUFACTURER (MODEL #)	RAD CENTER	CABLE SIZE	AZIMUTH (TN)	CABLE LENGTH	MECH. D-TILT	ELEC. D-TILT	EQUIPMENT (MODEL #)	OVP-BOX (TOWER)						
ALPHA	1	700 LTE 850 LTE 1900 LTE 1900 5G AWS LTE AWS3 5G nL-Sub6 5G	<b>COMMSCOPE (NHH-65C-HG-R2B )</b>	245.0'	(2) 12/24 HYBRID CABLES	50°		*	*	<b>(1) ERICSSON RRU (RRU 4490)</b>	(2) RAYCAP OVP'S (OVP-12)						
	2		<b>COMMSCOPE (NHH-65C-HG-R2B )</b>														
	3		<b>ERICSSON (AIR 3283)</b>														
	4		<b>ERICSSON (AIR 6419)</b>														
BETA	1		<b>COMMSCOPE (NHH-65C-HG-R2B )</b>							245.0'		(2) 12/24 HYBRID CABLES	165°	N/A	*	*	<b>(1) ERICSSON RRU (RRU 4490)</b>
	2		<b>COMMSCOPE (NHH-65C-HG-R2B )</b>														
	3		<b>ERICSSON (AIR 3283)</b>														
	4		<b>ERICSSON (AIR 6419)</b>														
GAMMA	1		<b>COMMSCOPE (NHH-65C-HG-R2B )</b>	245.0'	(2) 12/24 HYBRID CABLES	270°		*	*	<b>(1) ERICSSON RRU (RRU 4490)</b>							
	2		<b>COMMSCOPE (NHH-65C-HG-R2B )</b>														
	3		<b>ERICSSON (AIR 3283)</b>														
	4		<b>ERICSSON (AIR 6419)</b>														

PROPOSED EQUIPMENT IN BOLD  
\* REFER TO RFDS

**NOTES:**

1. VERIZON WIRELESS CURRENTLY HAS (2) 12/24 HYBRID CABLES INSTALLED. ALL TO REMAIN.
2. REQUEST CURRENT RFDS BEFORE INSTALLATION.
3. ALL VERIZON WIRELESS ANTENNA AND CABLE DATA BASED ON ASSUMED ANTENNA HEIGHT, CONTRACTOR SHALL VERIFY PROPOSED ANTENNA HEIGHT PRIOR TO INITIATION OF CONSTRUCTION ACTIVITIES, INCLUDING, BUT NOT LIMITED TO, ORDERING OF ANY ANTENNA OR CABLE MOUNTING HARDWARE.

PREPARED FOR



7701 E TELECOM PKWY  
TEMPLE TERRACE, FL 33637

PROJECT INFORMATION

5000080217  
EBENEZER - C  
6295 SE COUNTY ROAD 245  
LAKE CITY, FL 32025  
CBVR PROJECT #: VZW.301.25

ISSUED DATES

0	FOR PERMIT / CONSTRUCTION	01.14.26

SHEET NAME

**PROPOSED ANTENNA & CABLE SCHEDULE**

SHEET NUMBER

**C-5**

