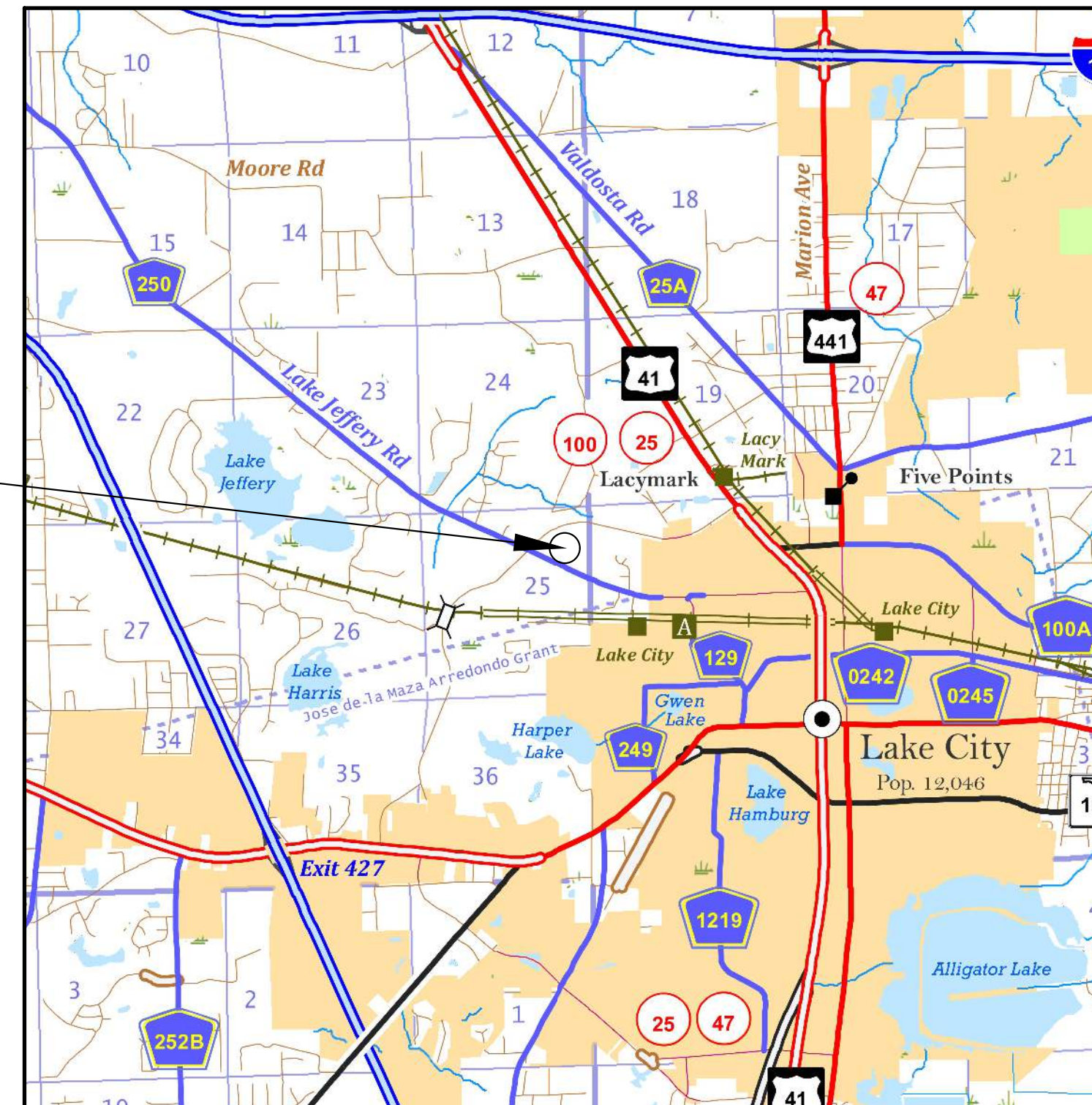


**COLUMBIA  
COUNTY**

# LAKE JEFFERY ROAD FIRE STATION EXPANSION COLUMBIA COUNTY, FLORIDA

**PROJECT LOCATION**



## SHEET INDEX

COVER SHEET	C-1
SIGNATURE SHEET	C-2
GENERAL NOTES	C-3
SITE PLAN	C-4
GRADING PLAN	C-5
SWMF	C-6
SWMF DETAILS	C-7
UTILITIES PLAN	C-8
EROSION CONTROL PLAN	C-9
EROSION CONTROL NOTES & DETAILS	C-10
UTILITIES DETAILS	C-11
MISC DETAILS	C-12 - C-13
SUMMARY OF QUANTITIES	C-14

## ATTACHMENTS

*NOTE: FOR INFORMATION PURPOSES ONLY*

FLOOR PLAN	A-1
------------	-----

**GOVERNING CRITERIA:**

*Florida Department of Transportation; Manual of Uniform Minimum Standards for Design, Construction and Maintenance for Streets and Highways (2018 Edition)*

**GOVERNING STANDARD PLANS:**

*Florida Department of Transportation, FY2024-25 Standard Plans for Road and Bridge Construction and applicable Interim Revisions (Irs).*

*Standard Plans for Road Construction and associated Irs are available at the following website:*

<http://www.fdot.gov/design/Standardplans.shtm>

*APPLICABLE IRs:*

*Standard Plans for Bridge Construction are included in the Structures Plans Component.*

**GOVERNING STANDARD SPECIFICATIONS:**

*Florida Department of Transportation, July, 2020 Standard Specifications for Road and Bridge Construction are available at the following website:*

<http://www.fdot.gov/programmanagement/Implemented/SpecBooks>

**PLANS PREPARED FOR:**

**COLUMBIA COUNTY BOCC  
135 NE HERNANDO AVENUE, SUITE 203  
LAKE CITY, FL 32055  
386-758-1005**

REVISIONS	
DATE	DESCRIPTION



**NORTH FLORIDA PROFESSIONAL SERVICES, INC.**

P.O. BOX 3823  
LAKE CITY, FL 32056  
PH. 386-752-4675  
LIC NO. LB8356

2551 BLAIRSTONE PINES DR.  
TALLAHASSEE, FL 32301  
WWW.NFPS.NET  
CA# 29011

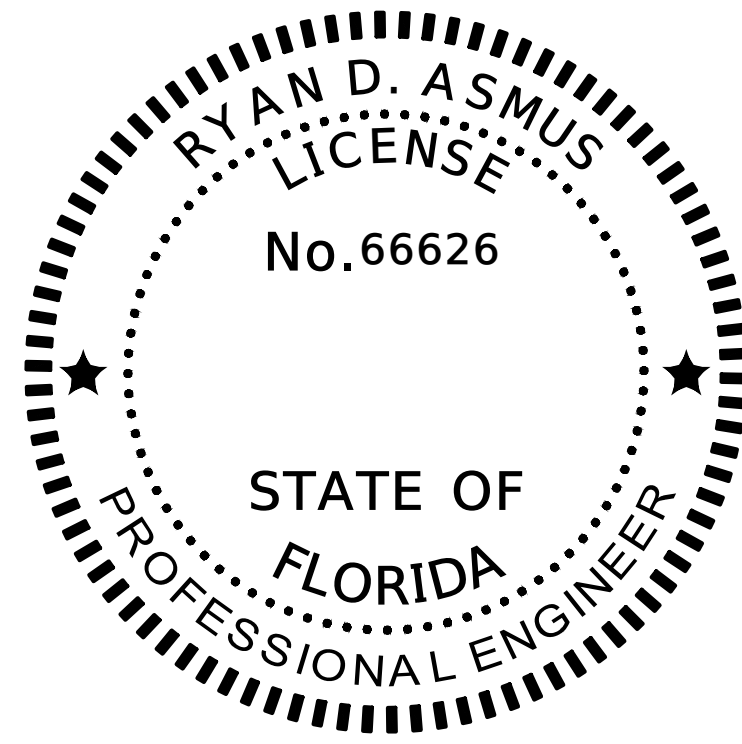
JOB NUMBER:  
L150209CCB  
EOR:  
RYAN D. ASMUS  
P.E. NO.:  
66626

# COVER SHEET

SHEET  
NO.

C-1

THIS ITEM HAS BEEN DIGITALLY SIGNED AND SEALED BY RYAN D. ASMUS, ON THE DATE ADJACENT TO THE SEAL. PRINTED COPIES OF THIS DOCUMENT ARE NOT CONSIDERED SIGNED AND SEALED AND THE SIGNATURE MUST BE VERIFIED ON ANY ELECTRONIC COPIES.



**Ryan D Asmus**

Digitally signed by Ryan D Asmus  
 DN: CN=Ryan D Asmus,  
 dnQualifier=A01410D000018DD26C6CE50006434D,  
 O=NORTH FLORIDA PROFESSIONAL SERVICES  
 INC., C=US  
 Date: 2025.01.15 11:48:24-05'00'

THIS ITEM HAS BEEN DIGITALLY SIGNED AND SEALED BY RYAN D. ASMUS ON THE DATE ADJACENT TO THE SEAL.


PRINTED COPIES OF THIS DOCUMENT ARE NOT CONSIDERED SIGNED AND SEALED AND THE SIGNATURE MUST BE VERIFIED ON ANY ELECTRONIC COPIES.

NORTH FLORIDA PROFESSIONAL SERVICES INC.  
 P.O. BOX 3823  
 LAKE CITY, FL 32056  
 CERTIFICATE OF AUTHORIZATION: 29011  
 RYAN D. ASMUS, P.E. NO. 66626

THE ABOVE NAMED PROFESSIONAL ENGINEER SHALL BE RESPONSIBLE FOR THE FOLLOWING SHEETS IN ACCORDANCE WITH RULE 61G15-23.004, F.A.C.

## SHEET INDEX

COVER SHEET	C-1
SIGNATURE SHEET	C-2
GENERAL NOTES	C-3
SITE PLAN	C-4
GRADING PLAN	C-5
SWMF	C-6
SWMF DETAILS	C-7
UTILITIES PLAN	C-8
EROSION CONTROL PLAN	C-9
EROSION CONTROL NOTES & DETAILS	C-10
UTILITIES DETAILS	C-11
MISC DETAILS	C-12 - C-13
SUMMARY OF QUANTITIES	C-14

REVISIONS			<b>NORTH FLORIDA PROFESSIONAL SERVICES, INC.</b> P.O. BOX 3823 LAKE CITY, FL 32056 PH. 386-752-4675 LIC NO. LB8356	2551 BLAIRSTONE PINES DR. TALLAHASSEE, FL 32301 WWW.NFPS.NET CA# 29011	JOB NUMBER: L150209CCB EOR: RYAN D. ASMUS P.E. NO.: 66626	<b>SIGNATURE SHEET</b>	SHEET NO.
DATE	DESCRIPTION					<b>LAKE JEFFERY ROAD FIRE STATION EXPANSION</b> <b>COLUMBIA COUNTY, FLORIDA</b>	C-2


**GENERAL NOTES**

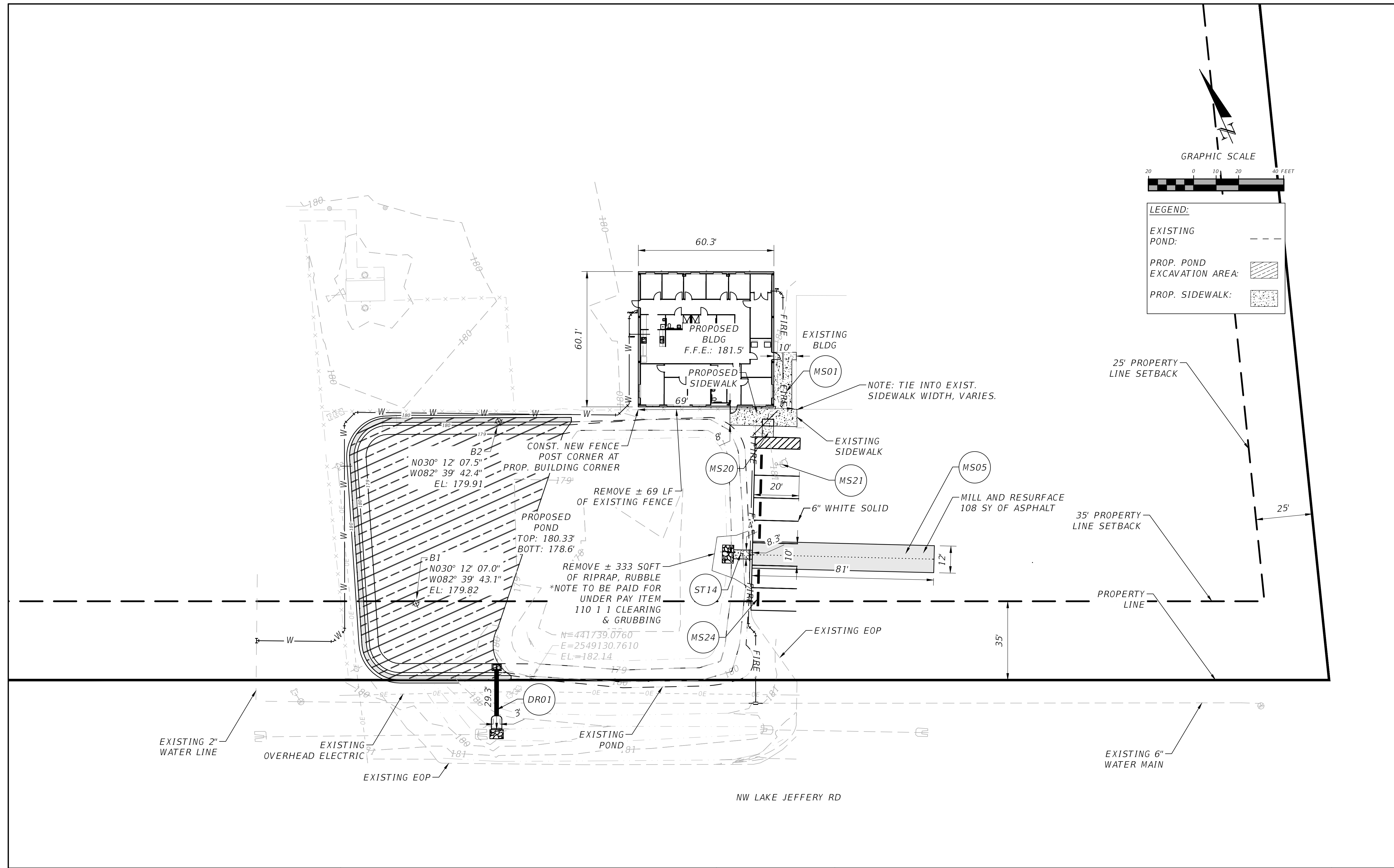
1. THE CONTRACTOR SHALL VERIFY ALL EXISTING CONDITIONS AND DIMENSIONS AT THE JOB SITE TO ENSURE THAT ALL NEW WORK WILL FIT IN THE MANNER INTENDED ON THE PLANS. SHOULD ANY CONDITIONS EXIST THAT ARE CONTRARY TO THOSE SHOWN ON THE PLANS, THE CONTRACTOR SHALL NOTIFY THE ENGINEER AND THE COLUMBIA COUNTY, FLORIDA (BUILDING DEPARTMENT) OF SUCH DIFFERENCES IMMEDIATELY AND PRIOR TO PROCEEDING WITH THE WORK.
2. THE CONTRACTOR SHALL COMPLY WITH ALL CONDITIONS AS SET FORTH BY THE ISSUED FLORIDA DEPARTMENT OF ENVIRONMENTAL PROTECTION 10/2 SELF-CERTIFICATION.
3. THE CONTRACTOR SHALL MAINTAIN THE CONSTRUCTION SITE IN A SECURE MANNER. ALL OPEN TRENCHES AND EXCAVATED AREAS SHALL BE PROTECTED FROM ACCESS BY THE GENERAL PUBLIC.
4. ANY PUBLIC LAND CORNER WITHIN THE LIMITS OF CONSTRUCTION SHALL BE PROTECTED. IF A CORNER MONUMENT IS IN DANGER OF BEING DESTROYED AND HAS NOT BEEN PROPERLY REFERENCED, THE CONTRACTOR SHOULD NOTIFY THE ENGINEER.
5. THE SITE IS LOCATED IN SECTION 25, TOWNSHIP 3 SOUTH, RANGE 16 EAST, COLUMBIA COUNTY, FLORIDA.
6. THE CONTRACTOR SHALL IMPLEMENT ALL COMPONENTS OF THE EROSION AND SEDIMENTATION CONTROL PLAN PRIOR TO ANY EARTH DISTURBING ACTIVITIES. ALL COMPONENTS SHALL BE MAINTAINED BY THE CONTRACTOR UNTIL ALL VEGETATION IS ESTABLISHED, THE ENTIRE PROJECT AREA IS STABILIZED AND THE OWNER HAS ACCEPTED OPERATION AND MAINTENANCE.
7. ALL SLOPES OF THE STORMWATER BASIN SHALL BE GRASSED. ALL SLOPES STEEPER THAN 3:1 SHALL BE STAPLED SOD.
8. ALL DISTURBED AREAS NOT SODDED SHALL BE SEEDED WITH A MIXTURE OF LONG-TERM VEGETATION AND QUICK GROWING SHORT-TERM VEGETATION FOR THE FOLLOWING CONDITIONS. FOR THE MONTHS FROM SEPTEMBER THROUGH MARCH, THE MIX SHALL CONSIST OF 70 POUNDS PER ACRE OF LONG-TERM SEED AND 20 POUNDS PER ACRE OF WINTER RYE. FOR THE MONTHS OF APRIL THROUGH AUGUST, THE MIX SHALL CONSIST OF 70 PER ACRE OF LONG-TERM SEED AND 20 POUNDS PER ACRE OF MILLET.
9. THE LOCATION OF THE UTILITIES SHOWN IN THE PLANS ARE APPROXIMATE ONLY. THE EXACT LOCATION SHALL BE DETERMINED BY THE CONTRACTOR DURING CONSTRUCTION. CONTRACTOR SHALL PROTECT ALL UTILITIES WITHIN THE PROJECT AREAS.
10. ALL SITE CONSTRUCTION SHALL BE IN ACCORDANCE WITH THE COLUMBIA COUNTY LAND DEVELOPMENT REGULATIONS.
11. CONTRACTOR SHALL COORDINATE ALL WORK WITH OTHER CONTRACTORS WITHIN PROJECT AREA.
12. IF UNSUITABLE MATERIAL IS ENCOUNTERED DURING GRADING, CONTRACTOR SHALL REMOVE UNSUITABLE MATERIAL TO A DEPTH OF 24" BELOW FINISHED GRADE WITHIN THE CONSTRUCTION LIMITS.
13. THE CONTRACTOR SHALL NOTIFY THE COUNTY AT LEAST 48 HOURS PRIOR TO BEGINNING OF CONSTRUCTION.
14. THE CONTRACTOR SHALL NOTIFY THE COUNTY AT LEAST 48 HOURS IN ADVANCE OF THE PRESSURE AND LEAKAGE TESTS.
15. NO FINAL TESTING OR PRESSURE TESTING WILL BE ACCEPTED UNLESS WITNESSED BY THE COUNTIES REPRESENTATIVE.
16. NO WORK SHALL BE PERFORMED ON SATURDAY OR SUNDAY WITHOUT WRITTEN NOTIFICATION TO THE COUNTY AND COUNTY ENGINEER.
17. CONTRACTOR SHALL PROVIDE AN AS-BUILT SURVEY MEETING THE REQUIREMENTS OF CHAPTER 61G17 F.A.C. FOR THE STORMWATER MANAGEMENT SYSTEMS. INCLUDE HORIZONTAL AND VERTICAL DIMENSIONAL DATA SO THAT IMPROVEMENTS ARE LOCATED AND DELINEATED RELATIVE TO THE BOUNDARY. THIS AS-BUILT SURVEY SHOULD INCLUDE ALL OUTFALL STRUCTURES. PROVIDE SUFFICIENT DETAILED DATA TO DETERMINE WHETHER THE IMPROVEMENTS WERE CONSTRUCTED IN ACCORDANCE WITH THE PLANS. A COPY OF THE AS-BUILT SURVEY (IN PAPER AND DIGITAL AUTOCAD

FORMAT) MUST BE SUBMITTED TO THE COLUMBIA COUNTY, FLORIDA (BUILDING DEPARTMENT) AND THE ENGINEER.

18. THE CONTRACTOR SHALL SUBMIT A NATIONAL POLLUTANT DISCHARGE ELIMINATION SYSTEM NOTICE OF INTENT ALONG WITH SUPPORTING DOCUMENTATION TO THE FLORIDA DEPARTMENT OF ENVIRONMENTAL PROTECTION AT LEAST 48 HOURS PRIOR TO BEGINNING OF CONSTRUCTION. THE CONTRACTOR SHALL BE RESPONSIBLE FOR ALL PERMIT FEES.
19. IF DURING CONSTRUCTION OR OPERATION OF THE STORM WATER MANAGEMENT SYSTEM, A STRUCTURAL FAILURE IS OBSERVED THAT HAS THE POTENTIAL TO CAUSE THE DIRECT DISCHARGE OF SURFACE WATER INTO THE FLORIDAN AQUIFER SYSTEM, CORRECTIVE ACTIONS DESIGNED OR APPROVED BY A REGISTERED PROFESSIONAL SHALL BE TAKEN AS SOON AS PRACTICAL TO CORRECT THE FAILURE. SEE KARST REPAIR DETAIL #E23. IN ADDITION, A REPORT PREPARED BY A REGISTERED PROFESSIONAL MUST BE PROVIDED AS SOON AS PRACTICAL TO THE DEPARTMENT FOR REVIEW AND APPROVAL THAT PROVIDES REASONABLE ASSURANCE THAT THE BREACH WILL BE PERMANENTLY CORRECTED.
20. ALL CONCRETE SLABS ABUTTING EXTERIOR WALLS SHALL BE SOIL TREATED FOR TERMITES.
21. ALL UTILITY AND/OR DRAINAGE STRUCTURES SHALL BE PRECAST UNLESS APPROVED BY THE ENGINEER. CONTRACTOR SHALL SUBMIT SHOP DRAWINGS FOR APPROVAL PRIOR TO PROCUREMENT.

THIS ITEM HAS BEEN DIGITALLY SIGNED AND SEALED BY RYAN D. ASMUS. ON THE DATE ADJACENT TO THE SEAL. PRINTED COPIES OF THIS DOCUMENT ARE NOT CONSIDERED SIGNED AND SEALED AND THE SIGNATURE MUST BE VERIFIED ON ANY ELECTRONIC COPIES.

REVISIONS		 <b>NORTH FLORIDA PROFESSIONAL SERVICES, INC.</b> P.O. BOX 3823 LAKE CITY, FL 32056 PH. 386-752-4675 LIC NO. LB8356	2551 BLAIRSTONE PINES DR. TALLAHASSEE, FL 32301 WWW.NFPS.NET CA# 29011	JOB NUMBER: L150209CCB EOR: RYAN D. ASMUS P.E. NO.: 66626	<b>GENERAL NOTES</b> <b>LAKE JEFFERY ROAD FIRE STATION EXPANSION</b> <b>COLUMBIA COUNTY, FLORIDA</b>		SHEET NO.
DATE	DESCRIPTION						C-3



THIS ITEM HAS BEEN DIGITALLY SIGNED AND SEALED BY RYAN D. ASMUS, ON THE DATE ADJACENT TO THE SEAL. PRINTED COPIES OF THIS DOCUMENT ARE NOT CONSIDERED SIGNED AND SEALED AND THE SIGNATURE MUST BE VERIFIED ON ANY ELECTRONIC COPIES.

REVISIONS	
DATE	DESCRIPTION

**NORTH FLORIDA PROFESSIONAL SERVICES, INC.**  
 P.O. BOX 3823  
 LAKE CITY, FL 32056  
 PH. 386-752-4675  
 LIC NO. LB8356

2551 BLAIRSTONE PINES DR.  
 TALLAHASSEE, FL 32301  
 WWW.NFPS.NET  
 CA# 29011

**JOB NUMBER:**  
L150209CCB  
**EOR:**  
RYAN D. ASMUS  
**P.E. NO.:**  
66626

**SITE PLAN**  
**LAKE JEFFERY ROAD FIRE STATION EXPANSION**  
**COLUMBIA COUNTY, FLORIDA**

**SHEET NO.**  
C-4



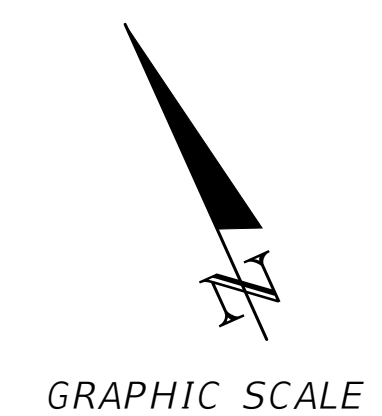
CRITICAL EVENT: 100 YR - 8 HR

MAX STAGE: 179.32'



**STORMWATER MANAGEMENT**

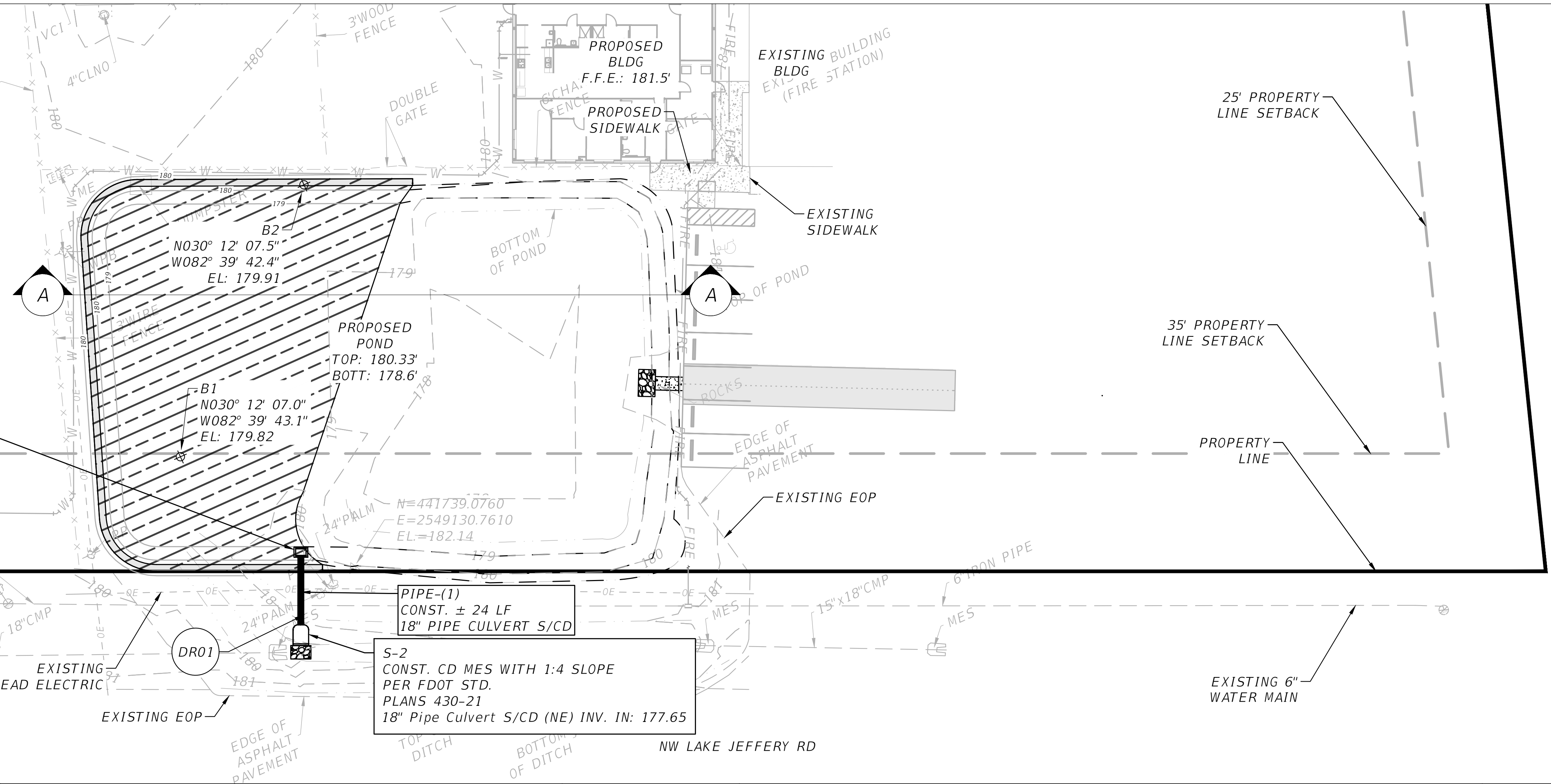
**C-6 FACILITY # DETAIL**  
**A-A SCALE: N.T.S**



**LEGEND:**

EXISTING POND:	
PROP. POND EXCAVATION AREA:	
PROP. SIDEWALK:	

S-1  
 CONST. TYPE C DBI  
 PER FDOT STD.  
 PLANS 425-052  
 RIM EL. 180.33'  
 SUMP EL. 177.70'  
 18" Pipe Culvert S/CD (SW) INV. OUT: 177.70'



PIPE-(1)  
 CONST. ± 24 LF  
 18" PIPE CULVERT S/CD

S-2  
 CONST. CD MES WITH 1:4 SLOPE  
 PER FDOT STD.  
 PLANS 430-21  
 18" Pipe Culvert S/CD (NE) INV. IN: 177.65

REVISIONS	
DATE	DESCRIPTION



**NORTH FLORIDA PROFESSIONAL SERVICES, INC.**  
 P.O. BOX 3823  
 LAKE CITY, FL 32056  
 PH. 386-752-4675  
 LIC NO. LB8356

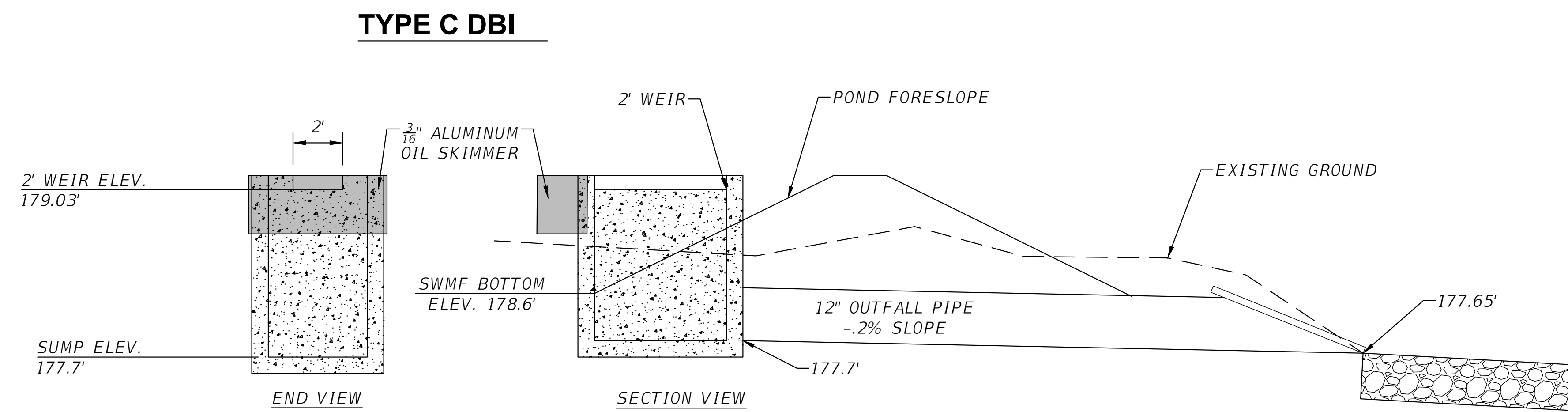
2551 BLAIRSTONE PINES DR.  
 TALLAHASSEE, FL 32301  
 WWW.NFPS.NET  
 CA# 29011

JOB NUMBER:  
 L150209CCB  
 EOR:  
 RYAN D. ASMUS  
 P.E. NO.:  
 66626

**SWMF**  
**LAKE JEFFERY ROAD FIRE STATION EXPANSION**  
**COLUMBIA COUNTY, FLORIDA**

SHEET NO.  
**C-6**

THIS ITEM HAS BEEN DIGITALLY SIGNED AND SEALED BY RYAN D. ASMUS. ON THE DATE ADJACENT TO THE SEAL. PRINTED COPIES OF THIS DOCUMENT ARE NOT CONSIDERED SIGNED AND SEALED AND THE SIGNATURE MUST BE VERIFIED ON ANY ELECTRONIC COPIES.



**DR01 SWMF #1 CONTROL STRUCTURE DETAIL**  
**SCALE: N.T.S.**

THIS ITEM HAS BEEN DIGITALLY SIGNED AND SEALED BY RYAN D. ASMUS. ON THE DATE ADJACENT TO THE SEAL. PRINTED COPIES OF THIS DOCUMENT ARE NOT CONSIDERED SIGNED AND SEALED AND THE SIGNATURE MUST BE VERIFIED ON ANY ELECTRONIC COPIES.

REVISIONS	
DATE	DESCRIPTION



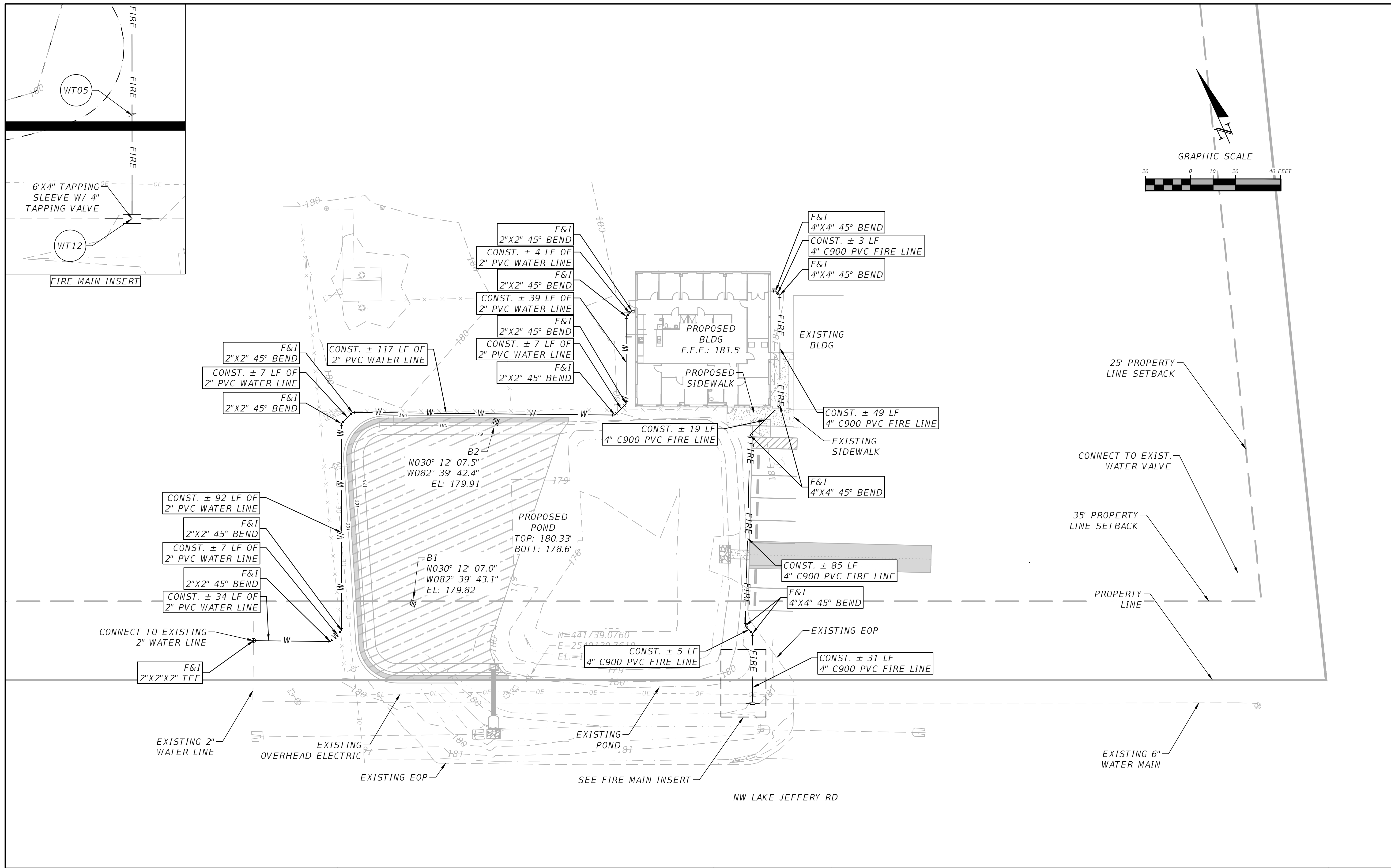
**NORTH FLORIDA PROFESSIONAL SERVICES, INC.**  
 P.O. BOX 3823  
 LAKE CITY, FL 32056  
 PH. 386-752-4675  
 LIC NO. LB8356

2551 BLAIRSTONE PINES DR.  
 TALLAHASSEE, FL 32301  
 WWW.NFPS.NET  
 CA# 29011


JOB NUMBER:  
 L150209CCB  
 EOR:  
 RYAN D. ASMUS  
 P.E. NO.:  
 66626

**SWMF DETAILS**  
**LAKE JEFFERY ROAD FIRE STATION EXPANSION**  
**COLUMBIA COUNTY, FLORIDA**

SHEET NO.  
**C-7**



REVISIONS	
DATE	DESCRIPTION


**NORTH FLORIDA PROFESSIONAL SERVICES, INC.**  
 P.O. BOX 3823  
 LAKE CITY, FL 32056  
 PH. 386-752-4675  
 LIC NO. LB8356

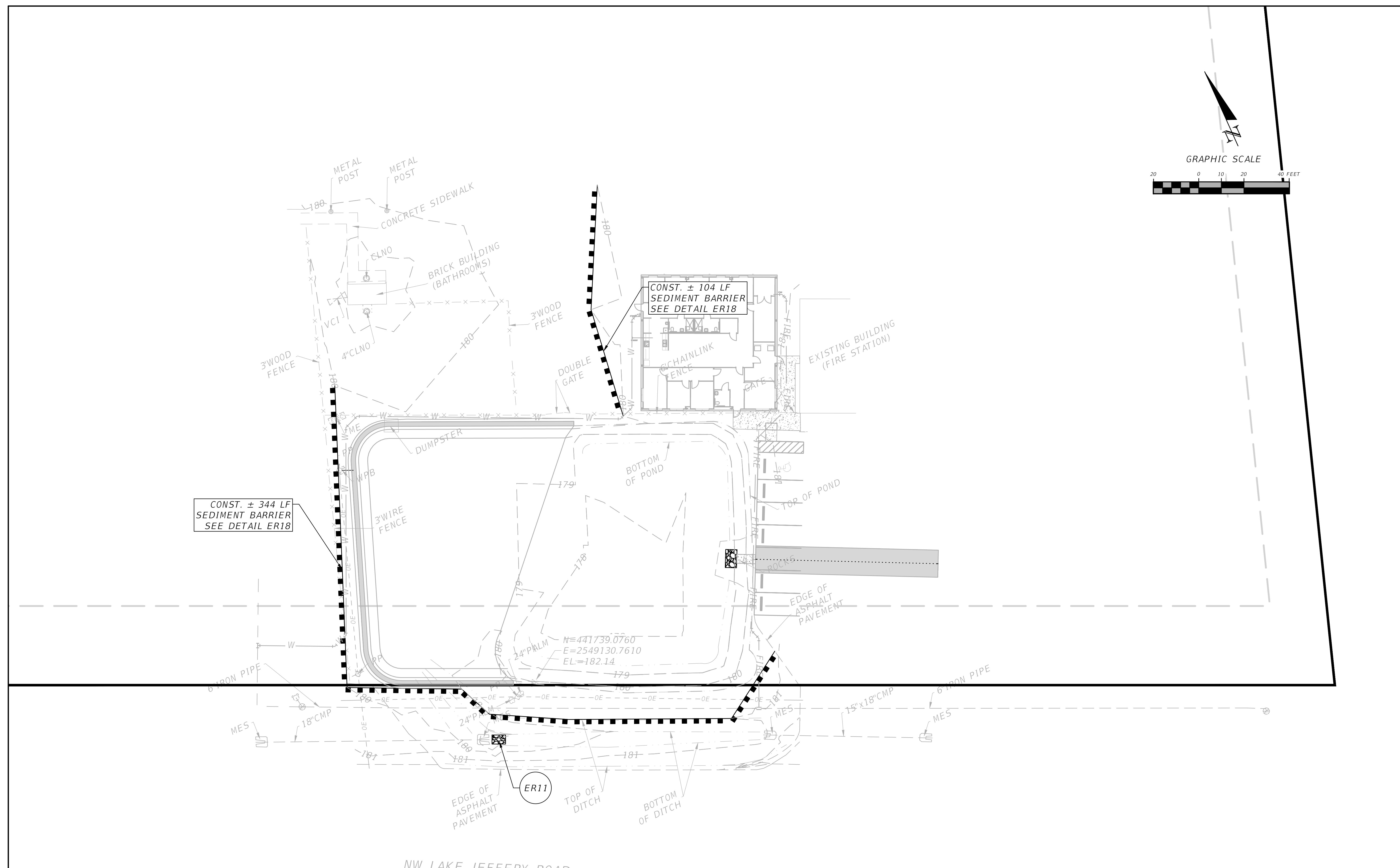
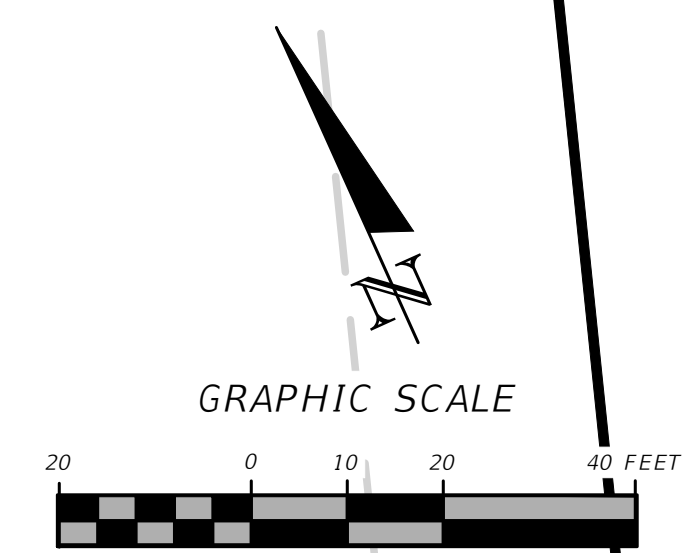
2551 BLAIRSTONE PINES DR.  
 TALLAHASSEE, FL 32301  
 WWW.NFPS.NET  
 CA# 29011

JOB NUMBER:  
 L150209CCB  
 EOR:  
 RYAN D. ASMUS  
 P.E. NO.:  
 66626

**UTILITIES PLAN**  
**LAKE JEFFERY ROAD FIRE STATION EXPANSION**  
**COLUMBIA COUNTY, FLORIDA**

SHEET NO.  
**C-8**

THIS ITEM HAS BEEN DIGITALLY SIGNED AND SEALED BY RYAN D. ASMUS, ON THE DATE ADJACENT TO THE SEAL. PRINTED COPIES OF THIS DOCUMENT ARE NOT CONSIDERED SIGNED AND SEALED AND THE SIGNATURE MUST BE VERIFIED ON ANY ELECTRONIC COPIES.



CONST. ± 344 LF  
SEDIMENT BARRIER  
SEE DETAIL ER18

CONST. ± 104 LF  
SEDIMENT BARRIER  
SEE DETAIL ER18

ER11

REVISIONS	
DATE	DESCRIPTION



**NORTH FLORIDA PROFESSIONAL SERVICES, INC.**  
 P.O. BOX 3823  
 LAKE CITY, FL 32056  
 PH. 386-752-4675  
 LIC NO. LB8356

2551 BLAIRSTONE PINES DR.  
 TALLAHASSEE, FL 32301  
 WWW.NFPS.NET  
 CA# 29011

JOB NUMBER:  
L150209CCB  
 EOR:  
RYAN D. ASMUS  
 P.E. NO.:  
66626

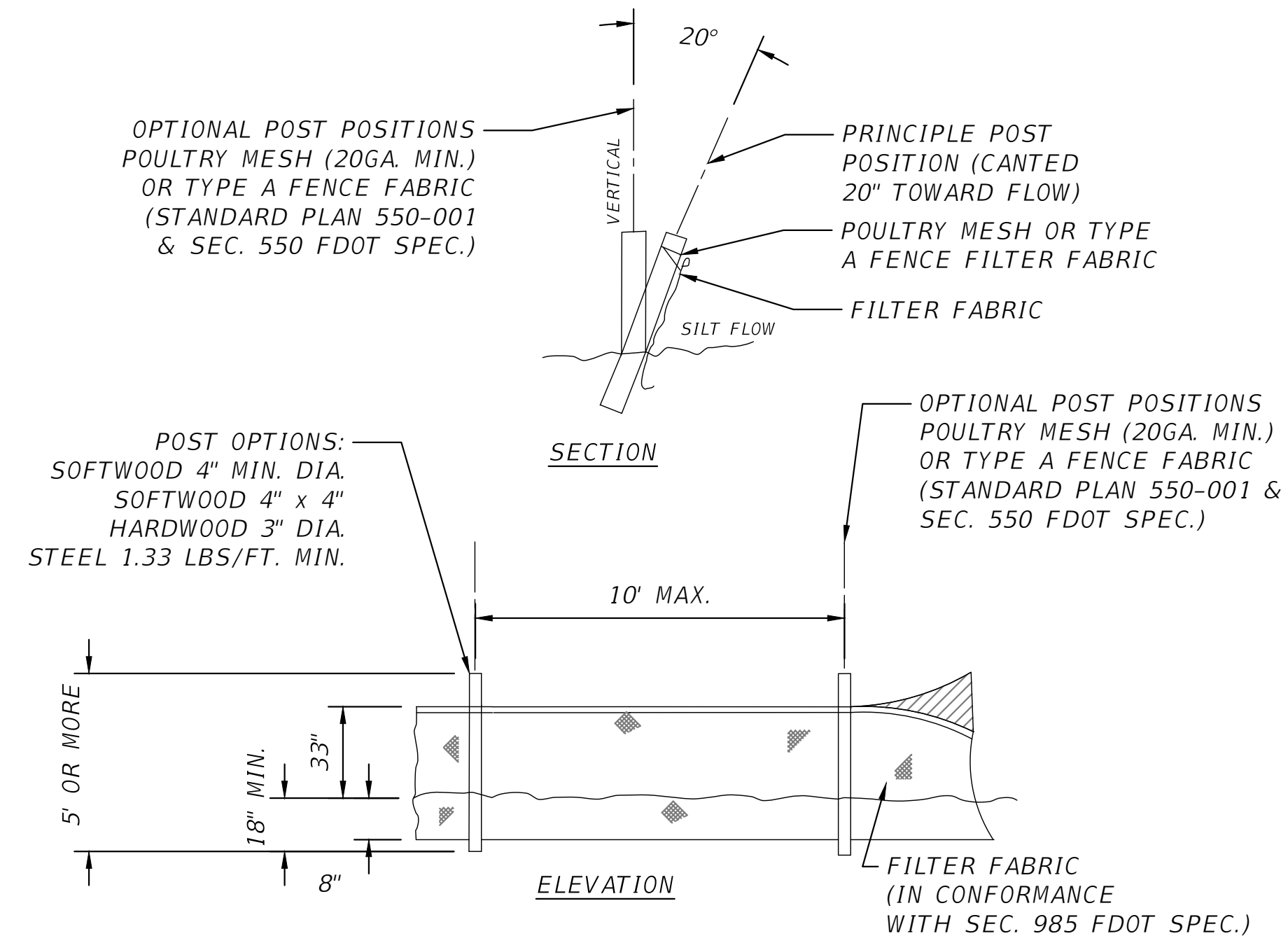
**EROSION CONTROL PLAN**  
**LAKE JEFFERY ROAD FIRE STATION EXPANSION**  
**COLUMBIA COUNTY, FLORIDA**

SHEET NO.  
**C-9**

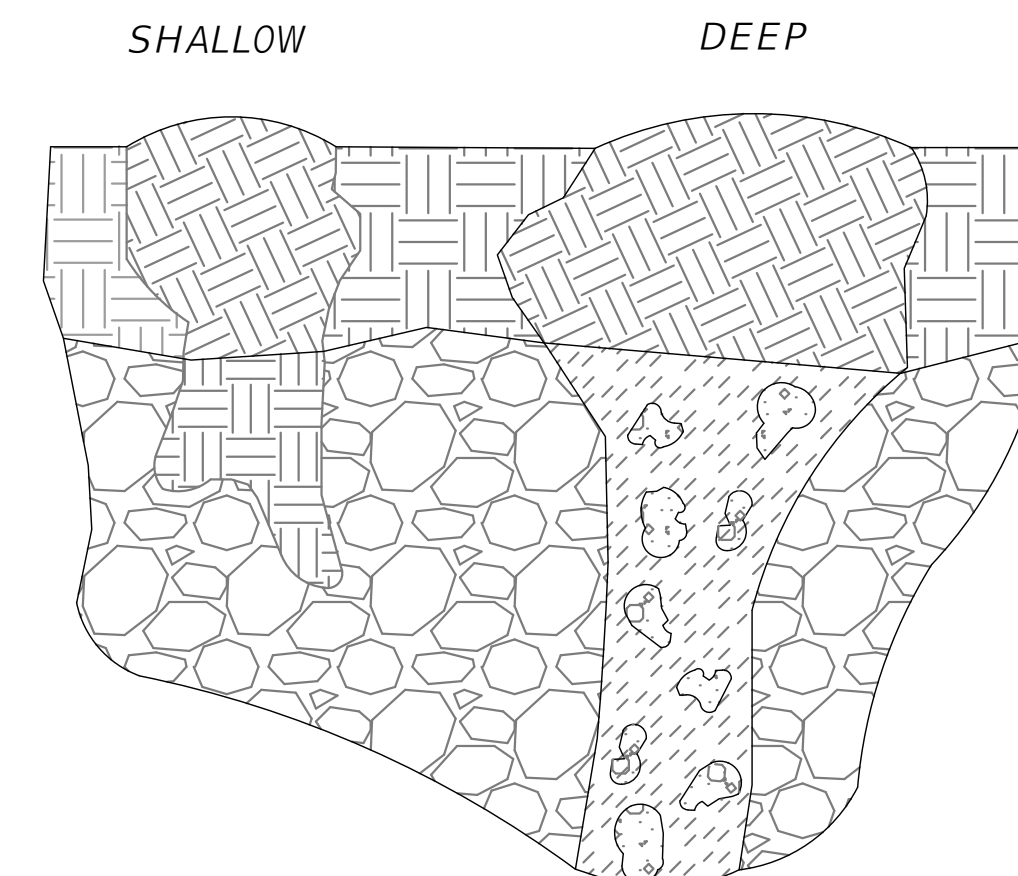
THIS ITEM HAS BEEN DIGITALLY SIGNED AND SEALED BY RYAN D. ASMUS. ON THE DATE ADJACENT TO THE SEAL. PRINTED COPIES OF THIS DOCUMENT ARE NOT CONSIDERED SIGNED AND SEALED AND THE SIGNATURE MUST BE VERIFIED ON ANY ELECTRONIC COPIES.

## EROSION CONTROL NOTES

1. THIS EROSION AND SEDIMENTATION CONTROL PLAN COMPLIES WITH THE REQUIREMENTS OF THE "FLORIDA DEVELOPMENT MANUAL" AND THE "FLORIDA EROSION AND SEDIMENT CONTROL INSPECTOR'S MANUAL".
2. THE CONTRACTOR SHALL ADHERE TO COLUMBIA COUNTY, SRWMD, AND OTHER GOVERNING AUTHORITIES FOR EROSION AND SEDIMENT CONTROL REGULATIONS. IF THE CONTRACTOR NEEDS TO CHANGE THIS PLAN TO MORE EFFECTIVELY CONTROL EROSION AND SEDIMENTATION, THE CONTRACTOR SHALL USE BMP'S FROM THE "FLORIDA EROSION AND SEDIMENT CONTROL INSPECTOR'S MANUAL".
3. THE CONTRACTOR SHALL ADJUST AND REVISE THIS PLAN TO MEET ACTUAL FIELD CONDITIONS. ANY REVISIONS SHALL BE APPROVED BY THE REVIEWING AGENCIES.
4. SEDIMENT AND EROSION CONTROL FACILITIES, STORM DRAINAGE FACILITIES AND DETENTION BASINS SHALL BE INSTALLED PRIOR TO ANY OTHER CONSTRUCTION.
5. EROSION CONTROL MEASURES SHALL BE INSPECTED WEEKLY AND AFTER EACH RAINFALL OF 0.5 INCHES OR GREATER, AND REPAIRED OR REPLACED AS NECESSARY.
6. SEDIMENT AND EROSION CONTROL MEASURES SHALL NOT BE REMOVED UNTIL ALL CONSTRUCTION IS COMPLETE AND UNTIL A PERMANENT GROUND COVER HAS BEEN ESTABLISHED.
7. ALL OPEN DRAINAGE SWALES SHALL BE GRASSED AND RIPRAP SHALL BE PLACED AS REQUIRED TO CONTROL EROSION.
8. SILT FENCES SHALL BE LOCATED ON SITE TO PREVENT SEDIMENT AND EROSION FROM LEAVING PROJECT LIMITS.
9. CONTRACTOR SHALL PLACE A DOUBLE ROW OF SILT FENCE IN AREAS WHERE RUNOFF FROM DISTURBED AREAS MAY ENTER WETLANDS.
10. DURING CONSTRUCTION AND AFTER CONSTRUCTION IS COMPLETE, ALL STRUCTURES SHALL BE CLEANED OF ALL DEBRIS AND EXCESS SEDIMENT.
11. ALL GRADED AREAS SHALL BE STABILIZED IMMEDIATELY WITH A TEMPORARY FAST-GROWING COVER AND/OR MULCH.
12. A PAD OF RUBBLE RIP RAP SHALL BE PLACED AT THE BOTTOM OF ALL COLLECTION FLUMES AND COLLECTION PIPE OUTLETS. GRANITE OR LIMESTONE RIPRAP IS REQUIRED, NO BROKEN CONCRETE WILL BE ACCEPTED.
13. ALL SIDE SLOPES STEEPER THAN 3:1 SHALL BE ADEQUATELY PROTECTED FROM EROSION THROUGH THE USE OF SYNTHETIC BALES OR SODDING.
14. ALL STABILIZATION PRACTICES SHALL BE INITIATED AS SOON AS PRACTICABLE IN AREAS OF THE JOB WHERE CONSTRUCTION ACTIVITIES HAVE TEMPORARILY OR PERMANENTLY STOPPED, BUT IN NO CASE SHALL THE DISTURBED AREA BE LEFT UNPROTECTED FOR MORE THAN SEVEN DAYS.
15. ALL WASTE GENERATED ON THE PROJECT SHALL BE DISPOSED OF BY THE CONTRACTOR IN AREAS PROVIDED BY CONTRACTOR.
16. LOADED HAUL TRUCKS SHALL BE COVERED WITH TARPS.
17. EXCESS DIRT SHALL BE REMOVED DAILY.
18. THIS PROJECT SHALL COMPLY WITH ALL WATER QUALITY STANDARDS. PERMIT REQUIRED FROM SRWMD HAS BEEN OBTAINED.
19. QUALIFIED PERSONNEL SHALL INSPECT THE AREA USED FOR STORAGE OF STOCKPILES, THE SILT FENCE AND STRAW BALES, THE LOCATION WHERE VEHICLES ENTER OR EXIT THE SITE, AND THE DISTURBED AREAS THAT HAVE NOT BEEN FINALLY STABILIZED, AT LEAST ONCE EVERY SEVEN CALENDAR DAYS AND WITHIN 24 HOURS OF THE END OF A STORM OF 0.5 INCHES OR GREATER.
20. SITES THAT HAVE BEEN FINALLY STABILIZED WITH SOD OR GRASSING SHALL BE INSPECTED AT LEAST ONCE EVERY WEEK.



ER18 **TYPE IV SILT FENCE**  
SCALE: N.T.S.



### NOTES:

THE FOLLOWING SHALL BE PERFORMED IN THE EVENT ANY KARST FEATURES FORM DURING CONSTRUCTION - E.G. SOLUTION CAVITIES, CHIMNEYS, SINKHOLES.

1. NOTIFY THE WATER MANAGEMENT DISTRICT AND THE APPLICABLE MUNICIPAL OR COUNTY PUBLIC WORKS IMMEDIATELY WHEN THE FEATURES ARE ENCOUNTERED. THE METHOD OF REPAIR SHALL BE SUBMITTED FOR REVIEW, COMMENT, AND APPROVAL PRIOR TO ATTEMPTING ANY REPAIR.
2. SHALLOW KARST FEATURES ARE TYPICALLY LESS THAN 5' DEEP AND ONLY HAVE SMALL VOIDS IN THE LIMESTONE. THE FEATURE CAN BE REPAIRED BY BACKFILLING WITH A LOWER PERMEABILITY MATERIAL SUCH AS CLAYEY-SAND OR CLAY. COMPACT THE BACKFILL AND CREATE A SMALL MOUND SLIGHTLY ABOVE GRADE TO ACCOUNT FOR SETTLING.
3. DEEP KARST FEATURES SHALL BE REPAIRED MORE PERMANENTLY. EXCAVATE THE FEATURE TO THE LIMESTONE BEDROCK. PLUG VOIDS IN THE BEDROCK WITH CLEAN GROUT. BACKFILL OVER THE PLUG WITH A LOWER-PERMEABILITY MATERIAL SUCH AS CLAYEY-SAND OR CLAY. COMPACT THE BACKFILL TO GRADE.

ER23 **KARST FEATURE REPAIR DETAIL**  
SCALE: N.T.S.

REVISIONS	
DATE	DESCRIPTION



**NORTH FLORIDA PROFESSIONAL SERVICES, INC.**  
P.O. BOX 3823  
LAKE CITY, FL 32056  
PH. 386-752-4675  
LIC NO. LB8356

2551 BLAIRSTONE PINES DR.  
TALLAHASSEE, FL 32301  
WWW.NFPS.NET  
CA# 29011

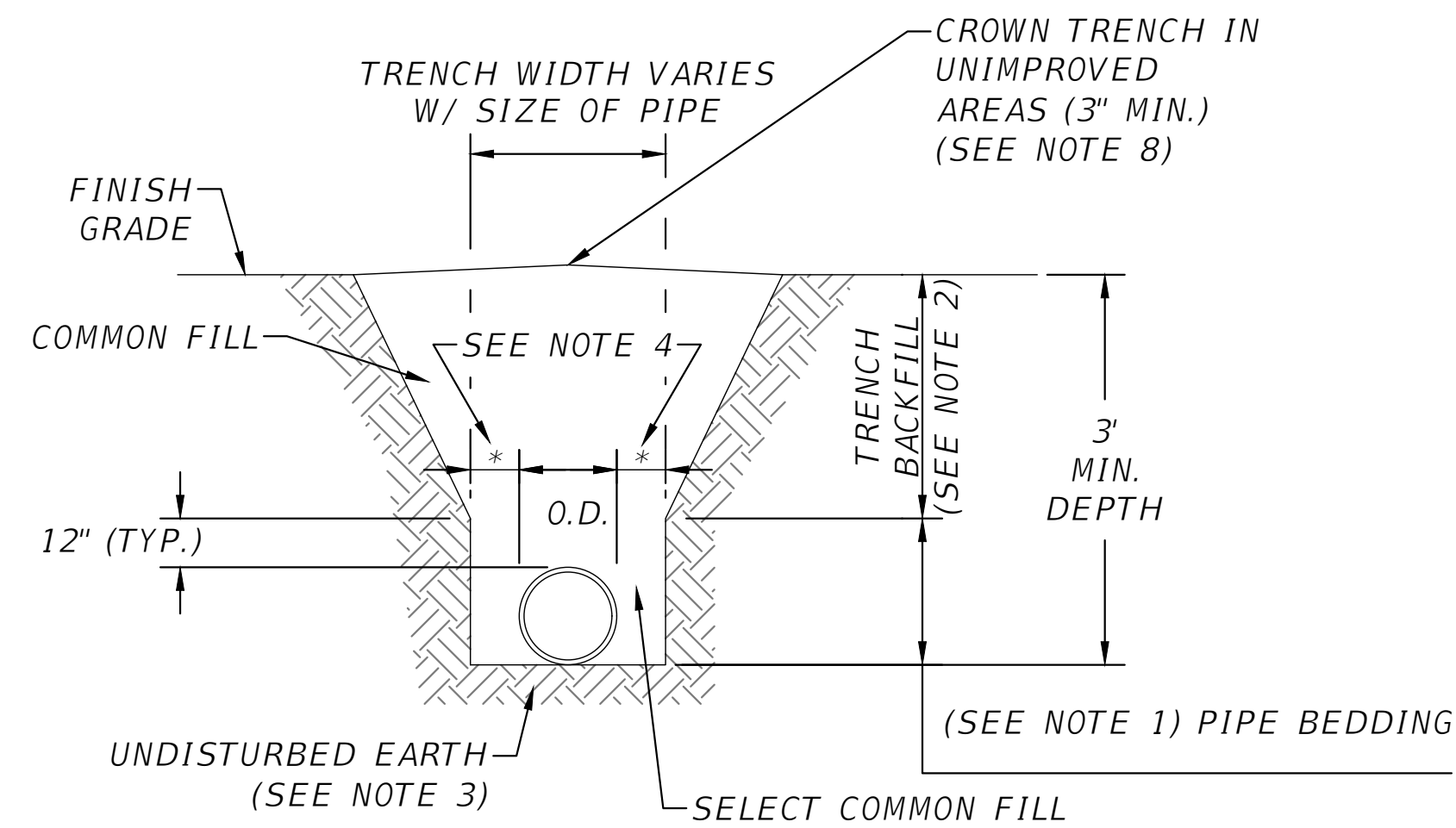
JOB NUMBER:  
L150209CCB  
EOR:  
RYAN D. ASMUS  
P.E. NO.:  
66626

## EROSION CONTROL NOTES & DETAILS

### LAKE JEFFERY ROAD FIRE STATION EXPANSION

### COLUMBIA COUNTY, FLORIDA

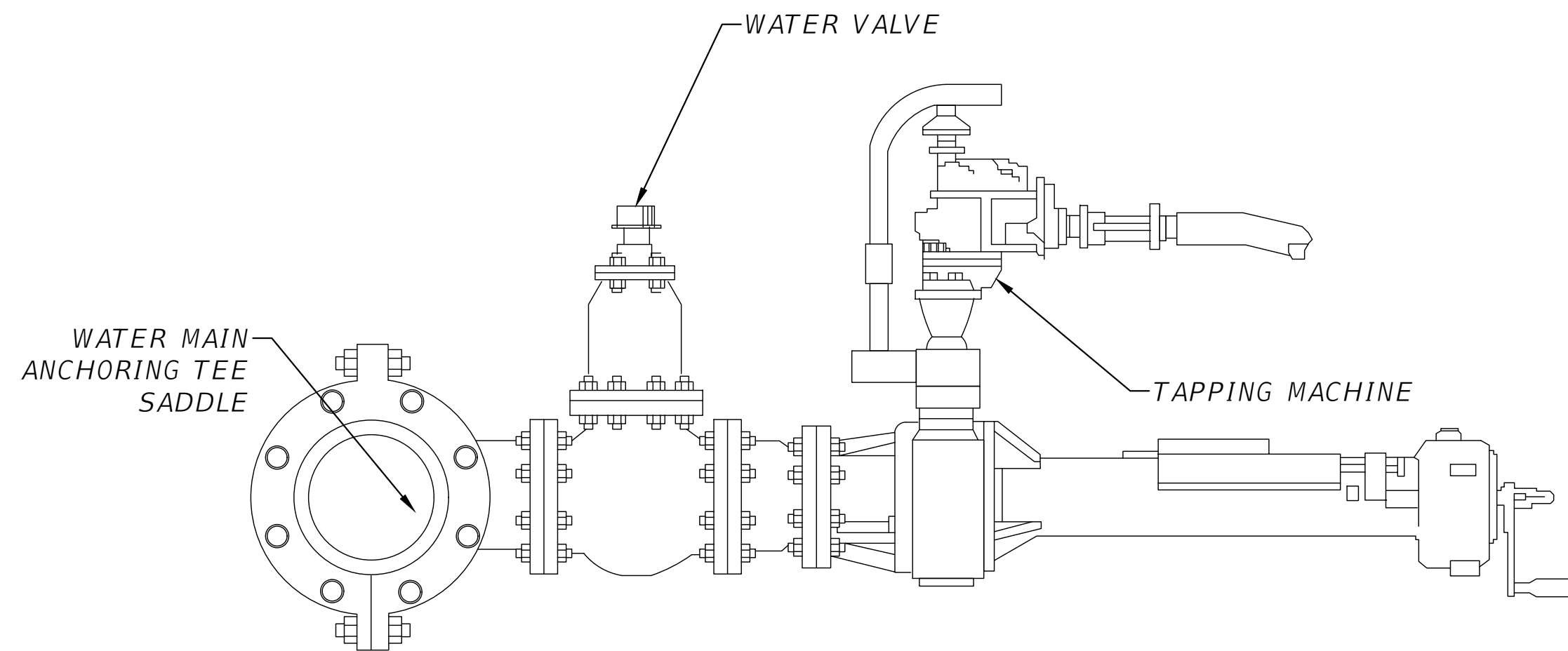
SHEET NO.  
C-10



NOTES:

1. PIPE BEDDING: SELECT COMMON FILL COMPACTED TO 95% OF THE MAXIMUM DENSITY AS PER AASHTO T-180.
2. TRENCH BACKFILL: COMMON FILL COMPACTED TO 95% OF THE MAXIMUM DENSITY AS PER AASHTO T-180.
3. PIPE BEDDING UTILIZING SELECT COMMON FILL OR BEDDING ROCK WILL BE REQUIRED IFOVER-EXCAVATION OCCURS.
4. (\*): 15" MAX. FOR PIPE DIAMETER LESS THAN 24", AND 24" MAX. FOR PIPE DIAMETER 24" AND LARGER.
5. WATER SHALL NOT BE PERMITTED IN THE TRENCH DURING CONSTRUCTION.
6. ALL PIPE TO BE INSTALLED WITH BELL FACING UPSTREAM TO THE DIRECTION OF THE FLOW.
7. PROVIDE TRENCH SLOPING AND BRACING AS REQUIRED FOR SAFETY.
8. FINAL RESTORATION IN IMPROVED AREAS SHALL BE IN COMPLIANCE WITH ALL APPLICABLE REGULATIONS OF GOVERNING AGENCIES. SURFACE RESTORATION WITHIN PAVED AREAS SHALL COMPLY WITH THE REQUIREMENTS OF THE ROAD CONSTRUCTION SPECIFICATIONS.

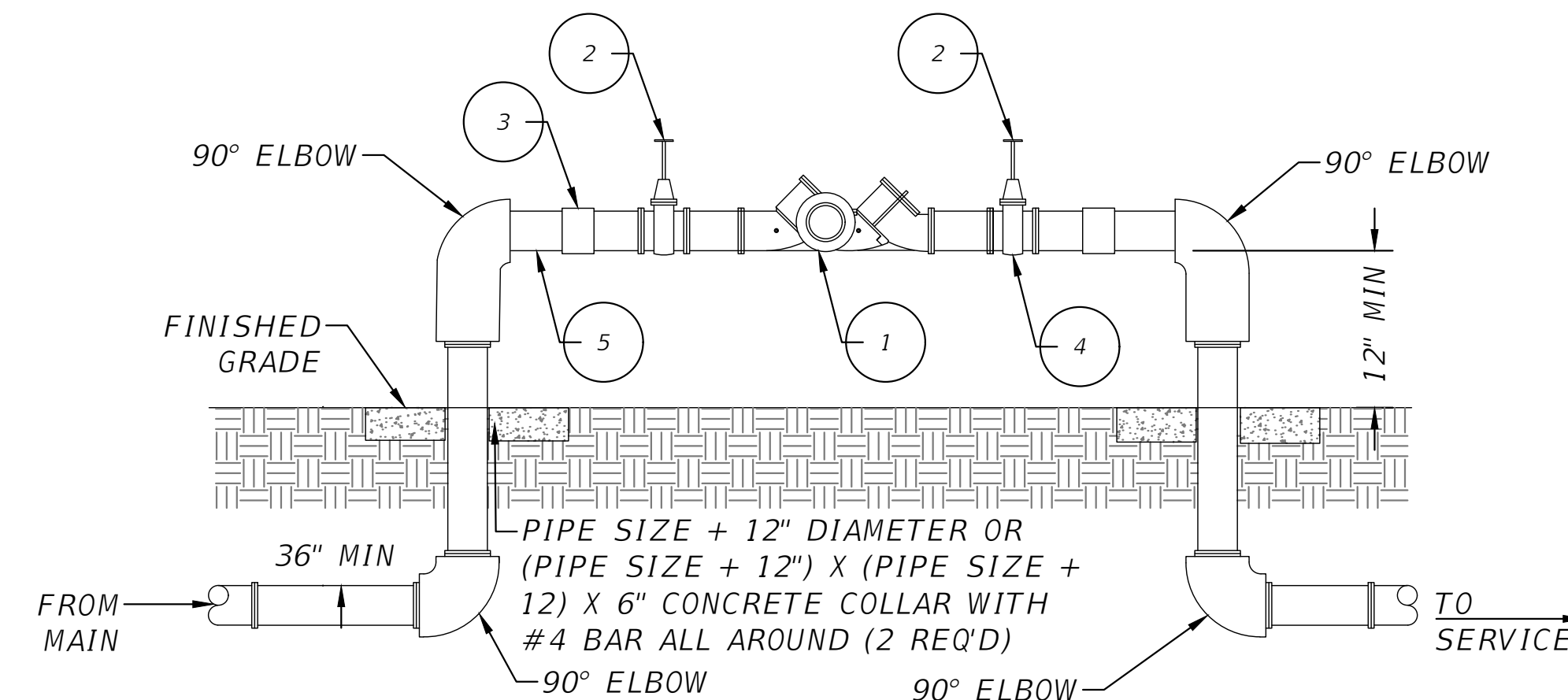
**WT11 TRENCH AND BACKFILL DETAILS**  
SCALE: N.T.S



NOTES:

1. CONTACT BRIAN SCOTT AT THE CITY OF LAKE CITY FOR WET TAP REQUIREMENTS.

**WT12 WET TAP AND SADDLE ASSEMBLY**  
SCALE: N.T.S



MATERIALS	
ITEM	DESCRIPTION
1	BACKFLOW PREVENTER
2	GATE VALVE
3	UNION
4	TEST COCKS
5	THREADED NIPPLE

NOTES:

1. UNDER NO CONDITION WILL ANY CONNECTION BE ALLOWED BETWEEN THE SERVICE METER AND A BACKFLOW PREVENTER USED FOR SYSTEM CONTAINMENT. BACKFLOW PREVENTER SHALL ALWAYS BE INSTALLED DOWNSTREAM OF METER.
2. IF A PRESSURE MONITOR IS TO BE INSTALLED, ADD A TEE, VALVE FITTINGS, AND MOUNT ON SUPPLY SIDE PRIOR TO BACKFLOW PREVENTION DEVICE: UNDER NO CIRCUMSTANCE, SHALL TEST PORTS BE MODIFIED OR UTILIZED FOR THIS OR OTHER APPLICATION OTHER THAN BACKFLOW DEVICE TESTING.
3. A CONBRACO SERIES 40-000 FREEZE PROTECTION VALVE SHALL BE INCLUDED.
4. PROVIDE AND INSTALL COVER OVER BACKFLOW PREVENTER AS REQ'D BY LOCAL AUTHORITIES.

**WT05 REDUCED PRESSURE BACKFLOW PREVENTER**  
SCALE: N.T.S

REVISIONS	
DATE	DESCRIPTION



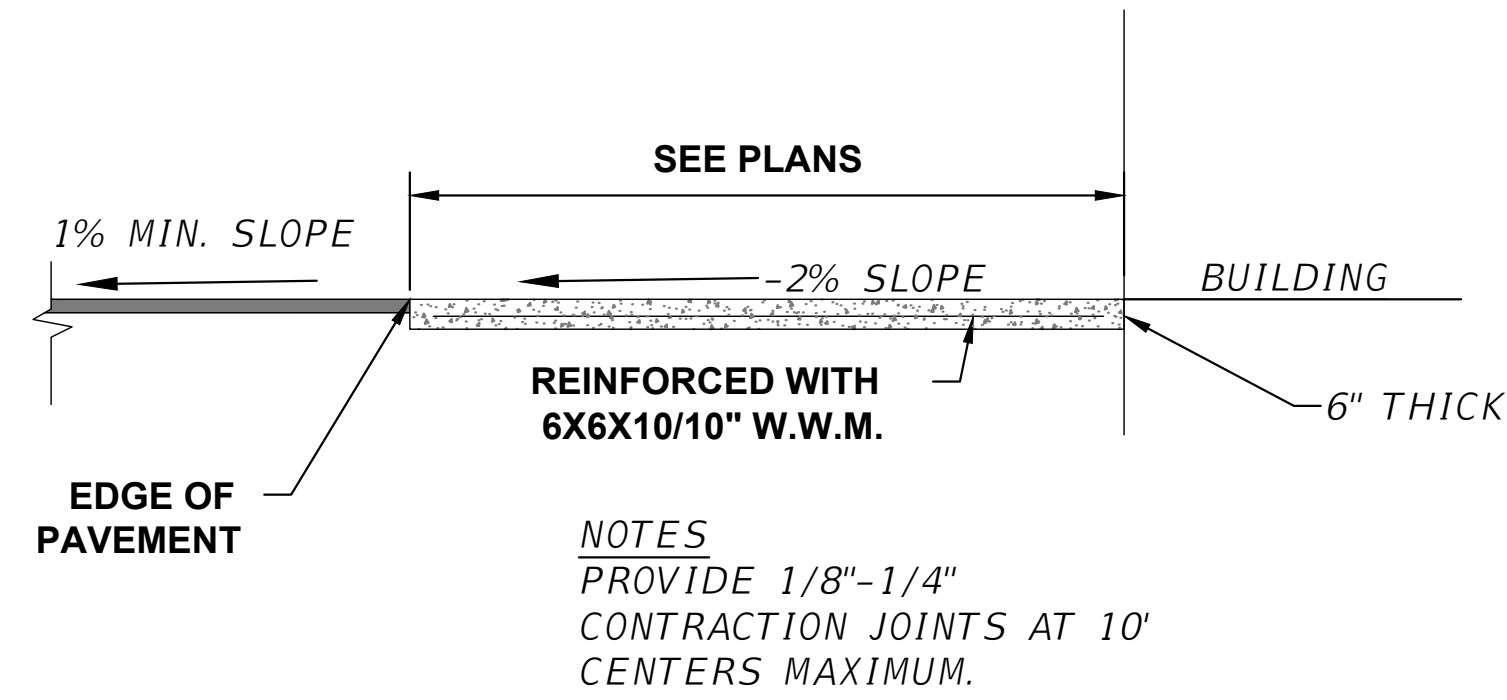
**NORTH FLORIDA PROFESSIONAL SERVICES, INC.**  
P.O. BOX 3823  
LAKE CITY, FL 32056  
PH. 386-752-4675  
LIC NO. LB8356

2551 BLAIRSTONE PINES DR.  
TALLAHASSEE, FL 32301  
WWW.NFPS.NET  
CA# 29011

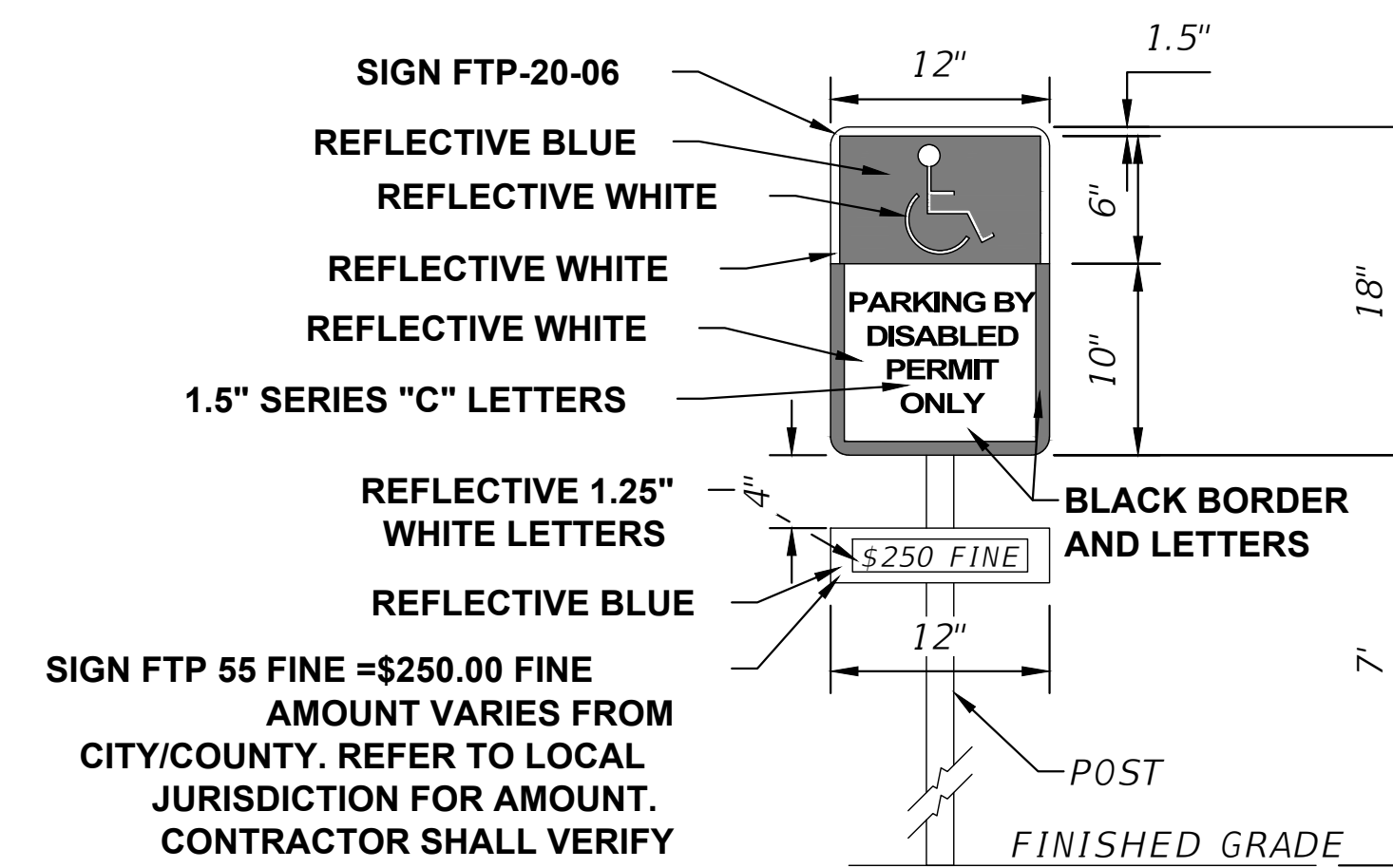
JOB NUMBER:  
L150209CCB  
EOR:  
RYAN D. ASMUS  
P.E. NO.:  
66626

**UTILITIES DETAILS**  
**LAKE JEFFERY ROAD FIRE STATION EXPANSION**  
**COLUMBIA COUNTY, FLORIDA**

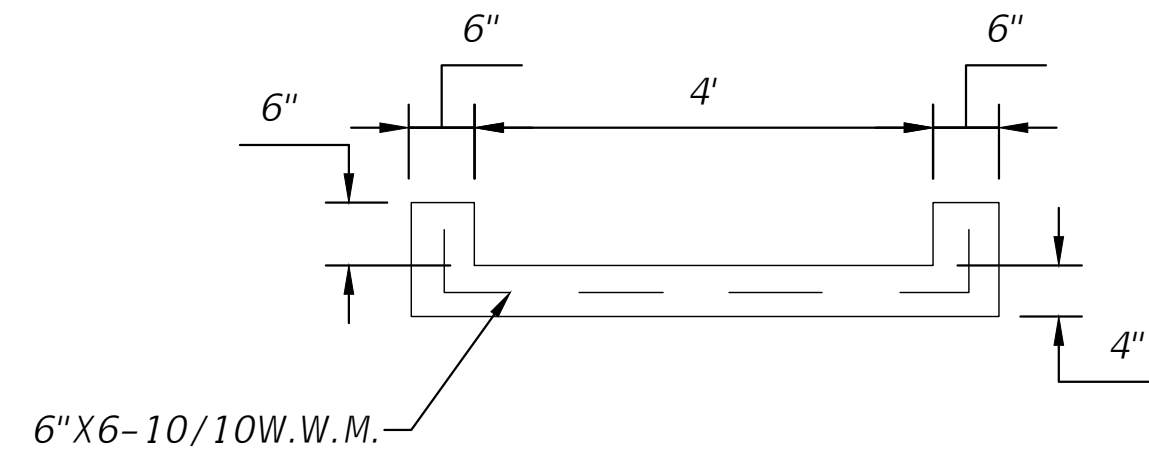
SHEET NO.  
C-11



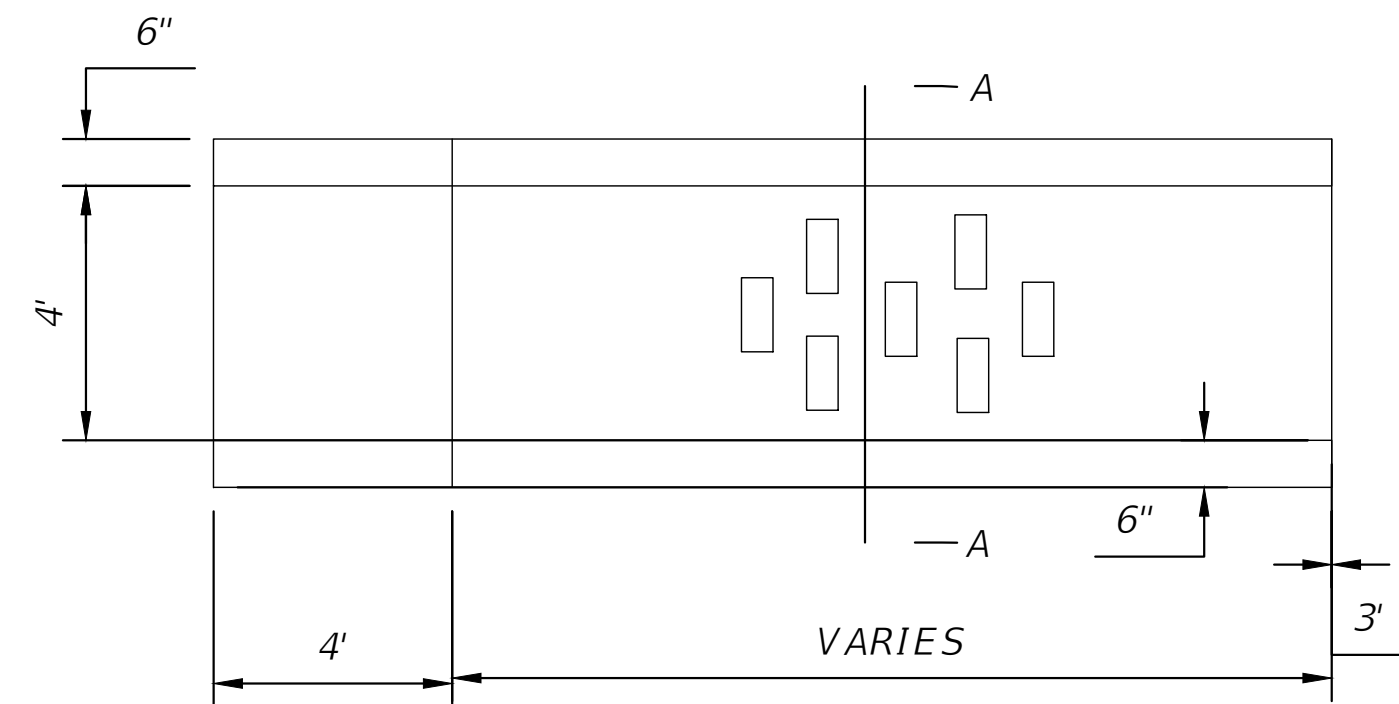
**MS01** **SIDEWALK DETAIL**  
SCALE: N.T.S



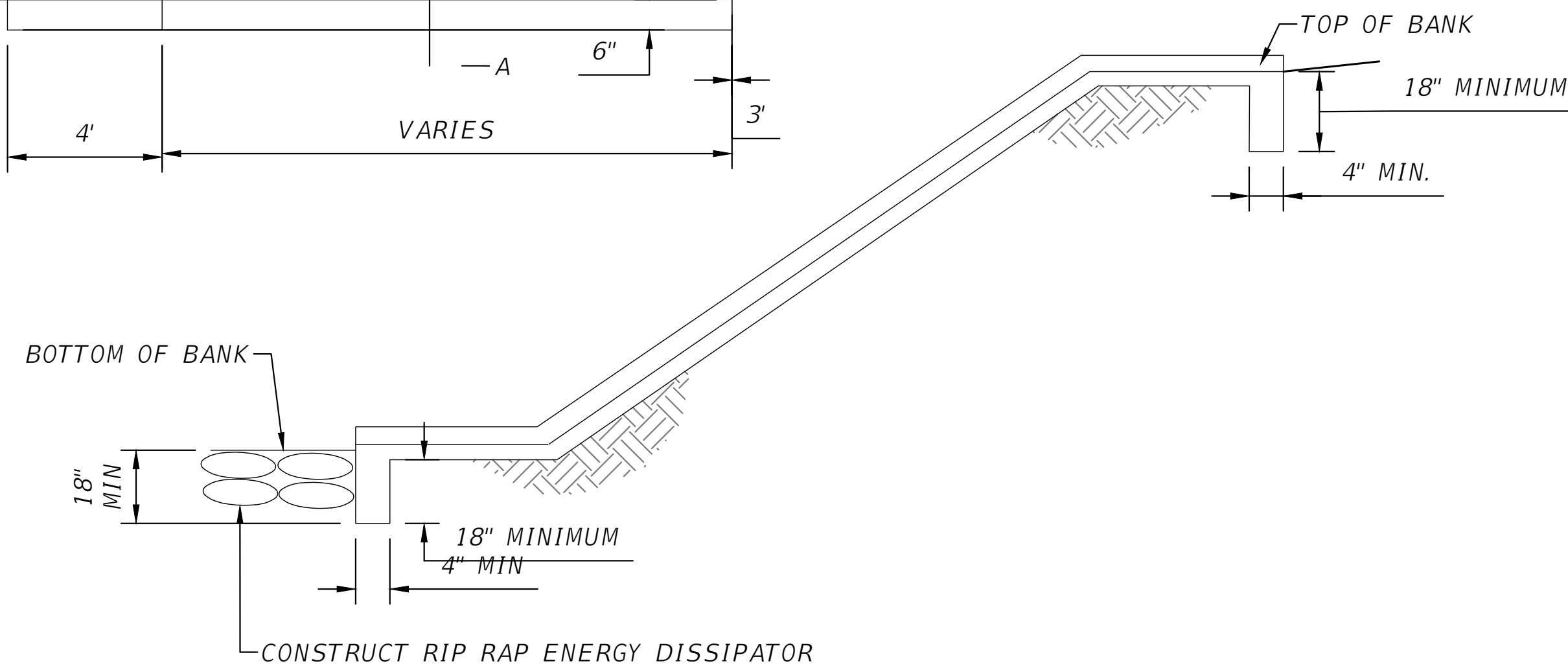
**MS21** **HANDICAP PARKING SIGN & STALL DETAIL**  
SCALE: N.T.S



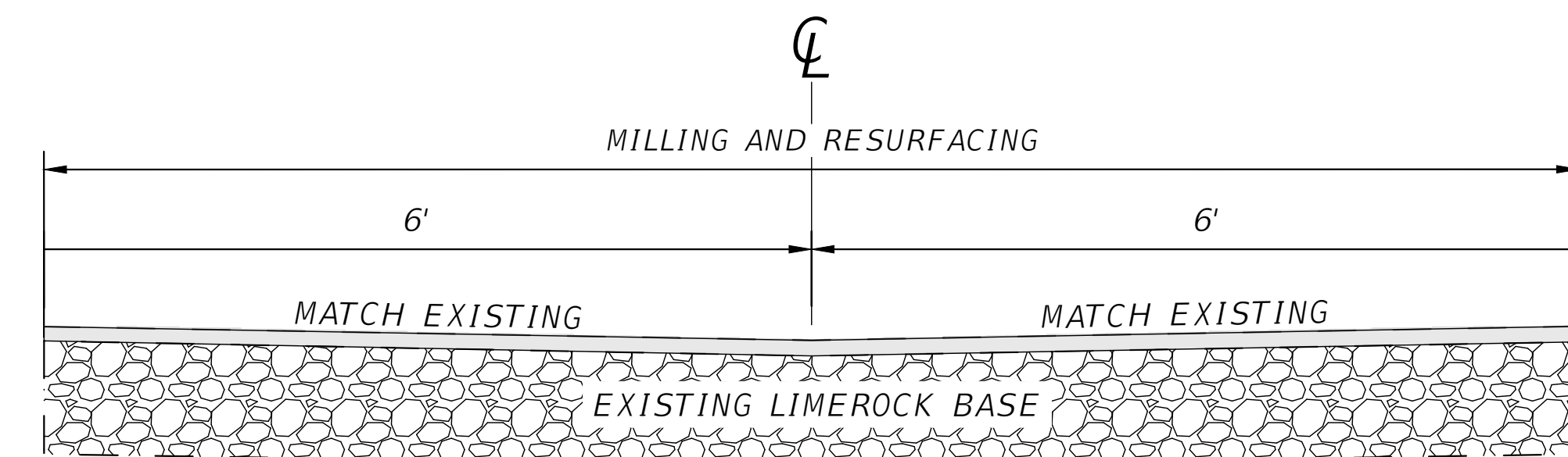
**SECTION A-A**



- NOTES:
1. PLACE SOD A MINIMUM OF 5' AROUND ALL STRUCTURE EDGES.
  2. CONCRETE COMPRESSIVE STRENGTH SHALL BE 3,000 P.S.I. MINIMUM.



**ST14** **CONCRETE SPILLWAY DETAIL**  
SCALE: N.T.S



**MS05** **ASPHALT REPAIR DETAIL**  
SCALE: N.T.S

MILL: 2" DEPTH AT EXISTING CROSS SLOPE  
RESURFACE: 2" DEPTH TYPE SP 12.5  
STRUCTURAL COURSE

REVISIONS	
DATE	DESCRIPTION



**NORTH FLORIDA PROFESSIONAL SERVICES, INC.**  
P.O. BOX 3823  
LAKE CITY, FL 32056  
PH. 386-752-4675  
LIC NO. LB8356

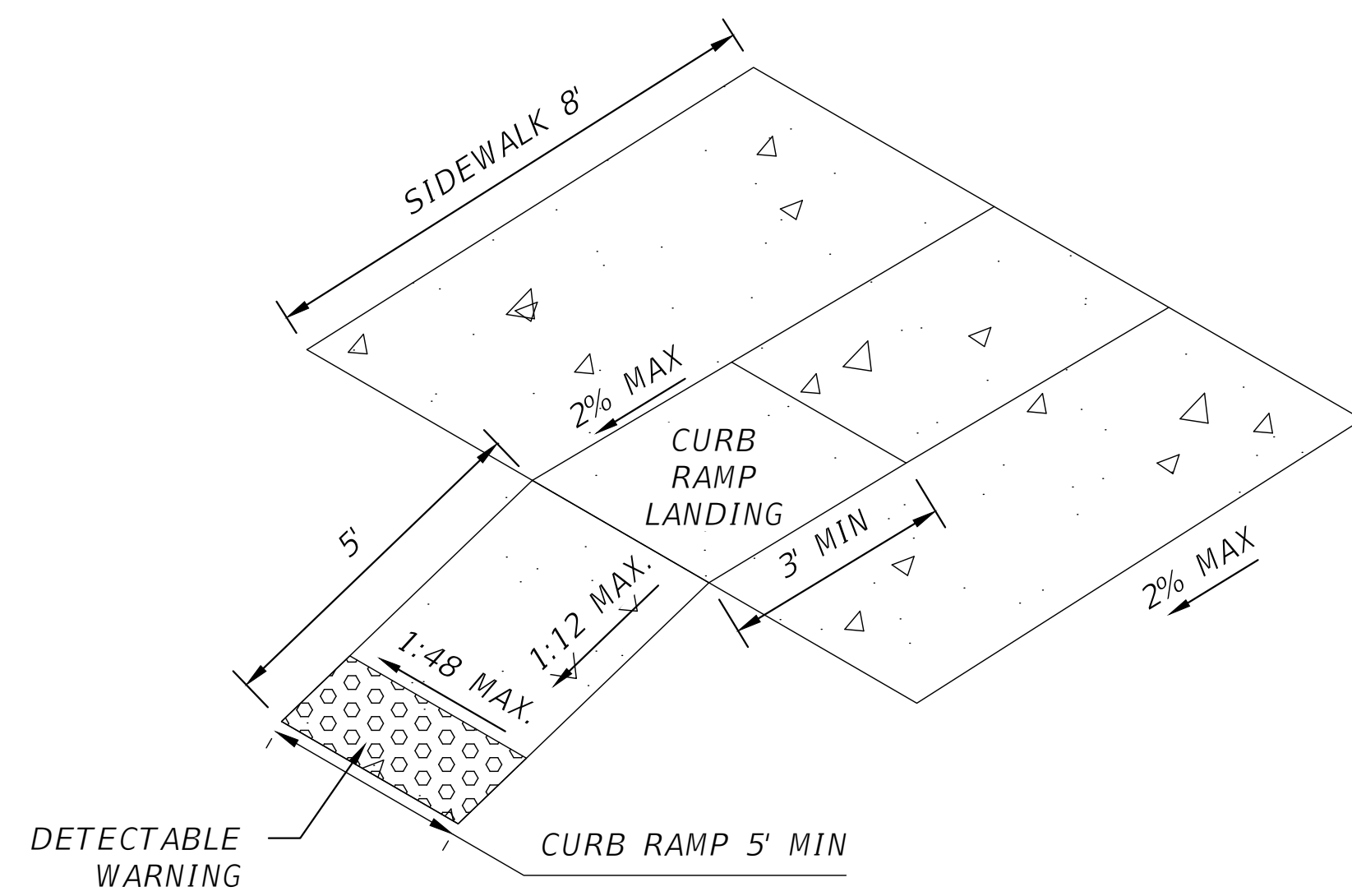
2551 BLAIRSTONE PINES DR.  
TALLAHASSEE, FL 32301  
WWW.NFPS.NET  
CA# 29011

JOB NUMBER:  
L150209CCB  
EOR:  
RYAN D. ASMUS  
P.E. NO.:  
66626

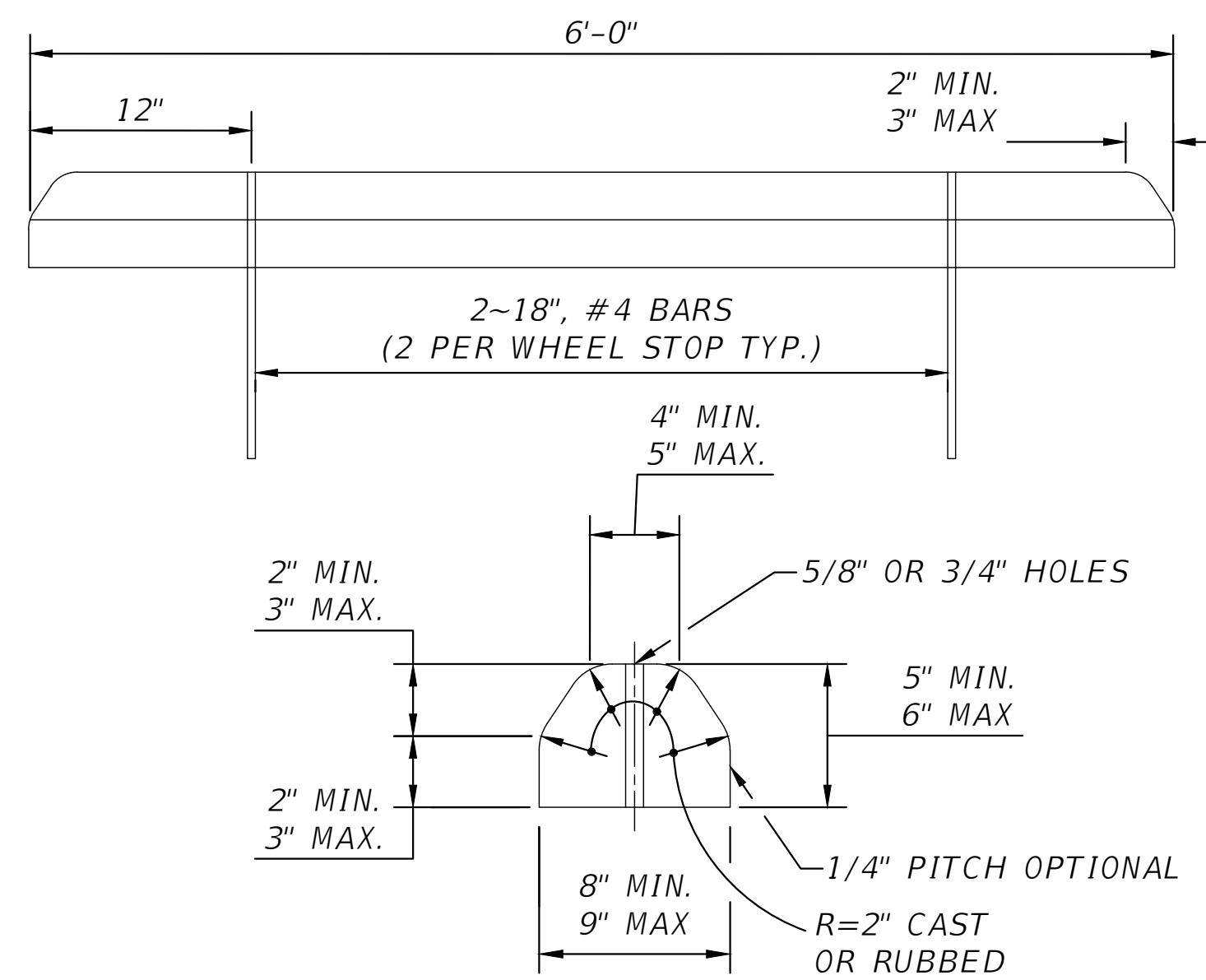
**MISC DETAILS**  
**LAKE JEFFERY ROAD FIRE STATION EXPANSION**  
**COLUMBIA COUNTY, FLORIDA**

SHEET NO.  
**C-12**

THIS ITEM HAS BEEN DIGITALLY SIGNED AND SEALED BY RYAN D. ASMUS. ON THE DATE ADJACENT TO THE SEAL. PRINTED COPIES OF THIS DOCUMENT ARE NOT CONSIDERED SIGNED AND SEALED AND THE SIGNATURE MUST BE VERIFIED ON ANY ELECTRONIC COPIES.



**MS20 ADA RAMP DETAIL "A"**  
**SCALE: N.T.S**



**MS24 WHEEL STOP DETAIL**  
**SCALE: N.T.S**

REVISIONS	
DATE	DESCRIPTION



**NORTH FLORIDA PROFESSIONAL SERVICES, INC.**  
 P.O. BOX 3823  
 LAKE CITY, FL 32056  
 PH. 386-752-4675  
 LIC NO. LB8356

2551 BLAIRSTONE PINES DR.  
 TALLAHASSEE, FL 32301  
 WWW.NFPS.NET  
 CA# 29011

JOB NUMBER:  
 L150209CCB  
 EOR:  
 RYAN D. ASMUS  
 P.E. NO.:  
 66626

**MISC DETAILS**  
**LAKE JEFFERY ROAD FIRE STATION EXPANSION**  
**COLUMBIA COUNTY, FLORIDA**

SHEET  
 NO.  
**C-13**

Summary of Lump Sum Items							Summary of General Items										
Pay Item Number	Pay Item Description	Unit of Measure	Quantity		Total Quantity		Design Notes	Construction Remarks	Pay Item Number	Pay Item Description	Unit of Measure	Quantity		Total Quantity		Design Notes	Construction Remarks
			P	F	P	F						P	F	P	F		
0101 1	MOBILIZATION	LS	1		1				0542 70	BUMPER GUARDS, CONCRETE	EA	6		6			
Summary of Clearing & Grubbing							SUMMARY OF PERFORMANCE TURF										
Pay Item Number	Pay Item Description	Unit of Measure	Quantity		Total Quantity		Design Notes	Construction Remarks	Pay Item Number	Pay Item Description	Unit of Measure	Quantity		Total Quantity		Design Notes	Construction Remarks
			P	F	P	F						P	F				
110 1 1	CLEARING & GRUBBING	AC	0.22		0.22				0570 1 2	PERFORMANCE TURF, SOD	SY	1031.1		1031.1			
Summary of Earthwork							Summary of Signing and Pavement Marking										
Pay Item Number	Pay Item Description	Unit of Measure	Quantity		Total Quantity		Design Notes	Construction Remarks	Pay Item Number	Pay Item Description	Unit of Measure	Quantity		Total Quantity		Design Notes	Construction Remarks
			P	F	P	F						P	F				
0120 1	REGULAR EXCAVATION	CY	77						0710 11 101	PAINT, STANDARD, WHITE, SOLID, 6" FOR PARKING SPACES	LF	120		120			
Summary of Pavement							Summary of Utility Items										
Pay Item Number	Pay Item Description	Unit of Measure	Quantity		Total Quantity		Design Notes	Construction Remarks	Pay Item Number	Pay Item Description	Unit of Measure	Quantity		Total Quantity		Design Notes	Construction Remarks
			P	F	P	F						P	F				
0327 70 5	MILLING EXIST ASPH PAVT, 2" DEPTH	SY	107.7		107.7				0710 11 160	PAINT, STANDARD, WHITE, MESSAGE OR SYMBOL (HANDICAP SYMBOL)	EA	1		1			
0334 1 12	SUPERPAVE ASPHALTIC CONC, TRAFFIC B	TN	12		12				0710 11 142	PAINT, STANDARD, BLUE, SOLID, 6"	LF	110		110			
Summary of Sidewalk and Detectable Warnings							Summary of Drainage										
Pay Item Number	Pay Item Description	Unit of Measure	Quantity		Total Quantity		Design Notes	Construction Remarks	Pay Item Number	Pay Item Description	Unit of Measure	Quantity		Total Quantity		Design Notes	Construction Remarks
			P	F	P	F						P	F				
522 2	Concrete Sidewalk and Driveways, 6" Thick	SY	51.52		51.52				1050 31202	UTILITY PIPE- POLY VINYL CHLORIDE, FURNISH & INSTALL, WATER/SEWER, 2"	LF	303		303			
527 2	Detectable Warning Surface	SF	10		10				1050 31204	UTILITY PIPE- POLY VINYL CHLORIDE, FURNISH & INSTALL, WATER/SEWER, 4"	LF	193		193			
									1080 23104	UTILITY FIXTURE- TAPPING SADDLE/SLEEVE, FURNISH & INSTALL, 4"	EA	1		1			
SUMMARY OF EROSION AND SEDIMENT CONTROL DEVICES																	
Pay Item Number	Pay Item Description	Unit of Measure	Quantity		Total Quantity		Design Notes	Construction Remarks									
			P	F	P	F											
0104 10 3	SEDIMENT BARRIER	LF	448		448												
0530 3 4	RIPRAP, RUBBLE, F&I, DITCH LINING	TN	3.2		5.12												
			1.92														

REVISIONS	
DATE	DESCRIPTION



**NORTH FLORIDA PROFESSIONAL SERVICES, INC.**  
P.O. BOX 3823  
LAKE CITY, FL 32056  
PH. 386-752-4675  
LIC NO. LB8356

2551 BLAIRSTONE PINES DR.  
TALLAHASSEE, FL 32301  
WWW.NFPS.NET  
CA# 29011

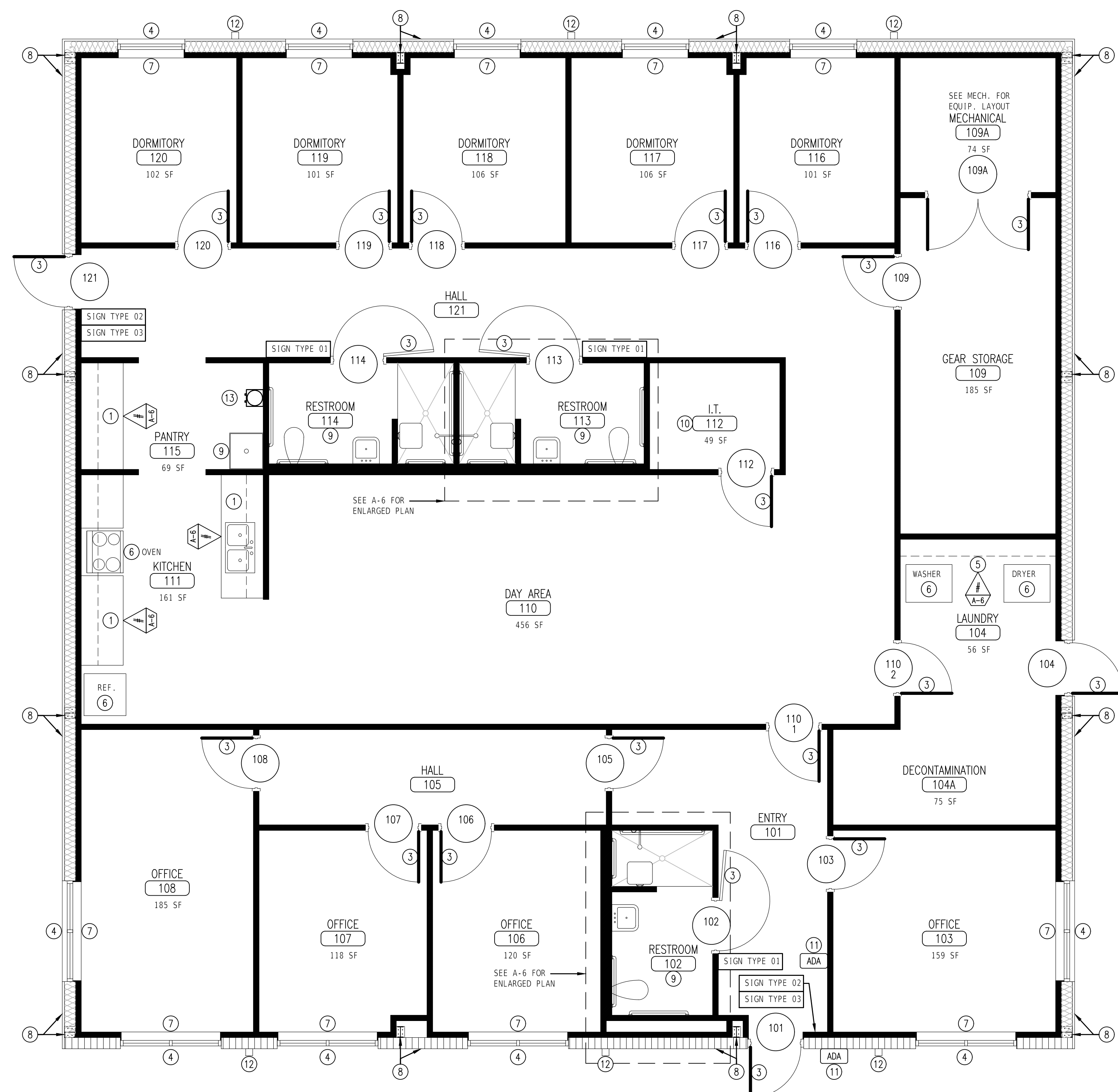
JOB NUMBER:  
L150209CCB  
EOR:  
RYAN D. ASMUS  
P.E. NO.:  
66626

## SUMMARY OF QUANTITIES

### LAKE JEFFERY ROAD FIRE STATION EXPANSION COLUMBIA COUNTY, FLORIDA

SHEET NO.  
**C-14**

THIS ITEM HAS BEEN DIGITALLY SIGNED AND SEALED BY RYAN D. ASMUS. ON THE DATE ADJACENT TO THE SEAL. PRINTED COPIES OF THIS DOCUMENT ARE NOT CONSIDERED SIGNED AND SEALED AND THE SIGNATURE MUST BE VERIFIED ON ANY ELECTRONIC COPIES.



**WALL LEGEND**

- EXTERIOR SPLIT-FACE 8" CMU WALL W/ FOAM INSUL. IN ALL CELLS NOT FILLED W/ CONC. - SEE STRUCT. FOR CMU REINF. - SEE EXT. ELEV'S.
- EXTERIOR PRE-ENGINEERED MT'L. BLD'G. FRAM'G., PURLINS, INSUL. AND EXT. PANEL'G. - SEE EXT. ELEV'S.
- INTERIOR 3-5/8" 20 GA. MT'L. STUD. FRAM'G. AT 16" O.C. AND ONE LAYER OF 5/8" TYPE X GYP. BD. ON INT. SIDE - EXTEND FULL PEMB WALL HT. - APPROX. 12'-0" A.F.F.
- INTERIOR 3-5/8" (OR 6" WHERE INDICATED) 20 GA. MT'L. STUD FRAM'G. AT 16" O.C. W/ ONE LAYER OF 5/8" TYPE X GYP. BD. ON EA. (5/8" MOISTURE RESISTANT TILE BACKER BD. ON RESTROOM AND CUSTODIAL ROOM SIDES) - EXTEND WALLS TO 12'-0" A.F.F.

**SIGNAGE LEGEND**

- SIGN TYPE 01 ROOM NAME AND GENDER AND ACCESSIBILITY GRAPHICS SIGN - REFER TO PROJECT MANUAL SECTION 10 1400 SIGNAGE
- SIGN TYPE 02 EXIT SIGN - REFER TO PROJECT MANUAL SECTION 10 1400 SIGNAGE
- SIGN TYPE 03 EMERGENCY EVACUATION SIGN - REFER TO PROJECT MANUAL SECTION 10 1400 SIGNAGE

**FLOOR PLAN NOTES**

- 1 ARCHITECTURAL CASEWORK W/ SINKS WHERE INDICATED - COORD. W/ MEP
- 2 SHT. MT'L. DOWNSPOUT - COORD. W/ ROOF PLAN, EXTERIOR ELEVATIONS AND CIVIL DOCUMENTS
- 3 DOOR, FRAME AND DOOR HARDWARE AS SCHED.
- 4 EXTERIOR ALUM.-FRAMED STOREFRONT FRAM'G. AND GLAZ'G. SYS.
- 5 ADJUSTABLE MT'L. SHELV'G.
- 6 OWNER FURNISHED AND INSTALLED EQUIP. - COORD. W/ MEP FOR ROUGH-IN REQUIREMENTS
- 7 MANUAL ROLLER SHADES
- 8 PRE-ENGINEERED MT'L. BLD'G. STRUCT. AND ASSOCIATED EXT. WALLS
- 9 PLUMB'G. FIXTURES AND ACCESSORIES - COORD. W/ PLUMB'G.
- 10 PLYWOOD AROUND ROOM INTERIOR - PAINT W/ GRAY FIRE RETARDANT PAINT - INSTALL AT 6" A.F.F.
- 11 ADA PUSH BUTTON DOOR OPERATOR
- 12 DOWNSPOUT - COORD. W/ CIVIL FOR UNDERGROUND TIE-IN
- 13 WATER COOLER - BY OWNER
- 14 REFER TO SECTION 09 1000 OF PROJECT MANUAL FOR FINISH SCHEDULE - TYP. NOTE THROUGHOUT
- 15 COORD. W/ CIVIL, STRUCTURAL AND MEP DOCUMENTS FOR ADDITIONAL SCOPE OF WORK - TYP. NOTE THROUGHOUT

**FLOOR PLAN**  
 1/4" = 1'-0"  
 3,600 GSF

NEW FIRE DEPARTMENT ADMINISTRATION BUILDING  
 1579 NW LAKE JEFFERY ROAD  
 LAKE CITY, FLORIDA  
 CCBCC PROJECT NUMBER

#	Date	Note

**FLOOR PLAN**  
 1/4" = 1'-0"  
 NOT FOR CONSTRUCTION  
 SCHEMATIC DESIGN DOCUMENTS

DATE  
 4/1/2024

2338

A - 1