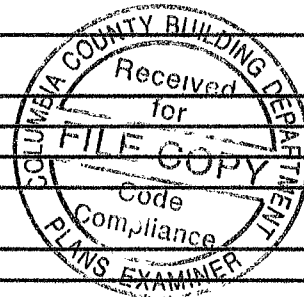


PRODUCT APPROVAL SPECIFICATION SHEET

As required by Florida Statute 553.842 and Florida Administrative Code 9B-72, please provide the information and approval numbers on the building components listed below if they will be utilized on the construction project for which you are applying for a building permit. We recommend you contact your local product supplier should you not know the product approval number for any of the applicable listed products.

Category/Subcategory	Manufacturer	Product Description	Approval Number(s)
1. EXTERIOR DOORS			
A. SWINGING	• MASONITE/DYKE	INSWING FIBERGLASS	FL4334-R6
B. SLIDING			
C. SECTIONAL	• CLOPAY	WINDCODE W8 GARAGE DOOR	FL16107.14
D. ROLL UP			
E. AUTOMATIC			
F. OTHER			
2. WINDOWS			
A. SINGLE HUNG	• MAGDOUA	VINYL 300 SINGLE HUNG	FL12716-R1
B. HORIZONTAL SLIDER			
C. CASEMENT			
D. DOUBLE HUNG			
E. FIXED			
F. AWNING			
G. PASS THROUGH			
H. PROJECTED			
I. MULLION			
J. WIND BREAKER			
K. DUAL ACTION			
L. OTHER			
3. PANEL WALL			
A. SIDING	• CERTAINTEED	WEATHERBOARD FIBERCEMENT	FL3148-R4
B. SOFFITS	• KAYCAN	SOFFIT	FL16503
C. EIFS			
D. STOREFRONTS			
E. CURTAIN WALLS			
F. WALL LOUVER			
G. GLASS BLOCK			
H. MEMBRANE			
I. GREENHOUSE			
J. OTHER			
4. ROOFING PRODUCTS			
A. ASPHALT SHINGLES	• CERTAINTEED	SHINGLES	FL5444
B. UNDERLAYMENTS	WOODLAND	30# ROOFING FELT	FL1814-R5
C. ROOFING FASTENERS			
D. NON-STRUCTURAL METAL ROOFING			
E. WOOD SHINGLES AND SHAKES			
F. ROOFING TILES			
G. ROOFING INSULATION			
H. WATERPROOFING			
I. BUILT UP ROOFING ROOF SYSTEMS			
J. MODIFIED BITUMEN			
K. SINGLE PLY ROOF SYSTEMS			
L. ROOFING SLATE			
M. CEMENTS-ADHESIVES COATINGS			



Category/Subcategory	Manufacturer	Product Description	Approval Number(s)
----------------------	--------------	---------------------	--------------------

N. LIQUID APPLIED ROOF SYSTEMS			
O. ROOF TILE ADHESIVE			
P. SPRAY APPLIED POLYURETHANE ROOF			
Q. OTHER			
5. SHUTTERS			
A. ACCORDION			
B. BAHAMA			
C. STORM PANELS			
D. COLONIAL			
E. ROLL-UP			
F. EQUIPMENT			
G. OTHERS			
6. SKYLIGHTS			
A. SKYLIGHT			
B. OTHER			
7. STRUCTURAL COMPONENTS			
A. WOOD CONNECTORS/ ANCHORS	SIMPSON	TRUSS HANGER	FL 3750.71
B. TRUSS PLATES	MITEK	PLATES	2197.2 - 2197.4
C. ENGINEERED LUMBER			
D. RAILING			
E. COOLERS-FREEZERS			
F. CONCRETE ADMIXTURES			
G. MATERIAL			
H. INSULATION FORMS			
I. PLASTICS			
J. DECK-ROOF			
K. WALL			
L. SHEDS			
M. OTHER			
8. NEW EXTERIOR ENVELOPE PRODUCTS			
A.			
B.			

The products listed below did not demonstrate product approval at plan review. I understand that at the time of inspection of these products, the following information must be available to the inspector on the jobsite; 1) copy of the product approval, 2) the performance characteristics which the product was tested and certified to comply with, 3) copy of the applicable manufacturers installation requirements. Further, I understand these products may have to be removed if approval cannot be demonstrated during inspection.

Kathleen McCauley
 APPLICANT SIGNATURE

4/25/14
 DATE



[DBPR HOME](#) | [ABOUT DBPR](#) | [DBPR DIVISIONS](#) | [CONTACT DBPR](#)



[BCIS Home](#) | [Log In](#) | [User Registration](#) | [Hot Topics](#) | [Submit Surcharge](#) | [Stats & Facts](#) | [Publications](#) | [FBC Staff](#) | [BCIS Site Map](#) | [Links](#) | [Search](#)



Product Approval
USER: Public User

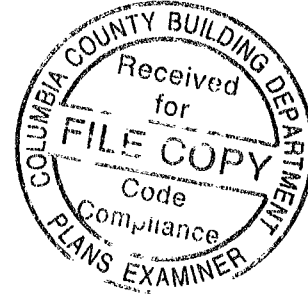
License efficiently. Regulate fairly.

[Product Approval Menu](#) > [Product or Application Search](#) > [Application List](#) > [Application Detail](#)



FL #	FL5444-R6								
Application Type	Revision								
Code Version	2010								
Application Status	Approved								
Comments									
Archived	<input type="checkbox"/>								
Product Manufacturer	CertainTeed Corporation-Roofing								
Address/Phone/Email	PO Box 1100 1400 Union Meeting Rd Blue Bell, PA 19422 (215) 274-2350 Steven.T.Lawrey@salnt-gobaln.com								
Authorized Signature	Steven Lawrey Steven.T.Lawrey@salnt-gobaln.com								
Technical Representative	Steven Lawrey 1400 Union Meeting Road i) Bell, PA 19422 j) 274-2425 Steven T.Lawrey@salnt-gobaln.com								
Quality Assurar									
Address/Phone,									
Category	Ring								
Subcategory	Half Shingles								
Compliance Me	Evaluation Report from a Florida Registered Architect or a Licensed Florida Professional Engineer <input checked="" type="checkbox"/> Evaluation Report - Hardcopy Received								
Florida Engineer or Architect Name who developed the Evaluation Report	Robert Nieminen								
Florida License	PE-59166								
Quality Assurance Entity	UL LLC								
Quality Assurance Contract Expiration Date	02/13/2016								
Validated By	John W. Knezevich, PE								
	<input checked="" type="checkbox"/> Validation Checklist Hardcopy Received								
Certificate of Independence	FL5444_R6_COI_2014_01_COI_Nieminen.pdf								
Referenced Standard and Year (of Standard)	<table border="0"> <thead> <tr> <th>Standard</th> <th>Year</th> </tr> </thead> <tbody> <tr> <td>ASTM D3161, Class F</td> <td>2006</td> </tr> <tr> <td>ASTM D3462</td> <td>2007</td> </tr> <tr> <td>ASTM D7158, Class H</td> <td>2007</td> </tr> </tbody> </table>	Standard	Year	ASTM D3161, Class F	2006	ASTM D3462	2007	ASTM D7158, Class H	2007
Standard	Year								
ASTM D3161, Class F	2006								
ASTM D3462	2007								
ASTM D7158, Class H	2007								
Equivalence of Product Standards Certified By									
Sections from the Code									

TC
 COMPLETE
 MET. (SHE
 WILL REPORT FOR)



Product Approval Method Method 1 Option D

Date Submitted 02/27/2014

Date Validated 02/27/2014

Date Pending FBC Approval 03/03/2014

Date Approved 04/18/2014

Summary of Products		
FL #	Model, Number or Name	Description
5444 1	CertainTeed Asphalt Roofing Shingles	3-tab, 4-tab, strip (no-cut-outs), laminated and architectural asphalt roof shingles
Limits of Use Approved for use in HVHZ: No Approved for use outside HVHZ: Yes Impact Resistant: N/A Design Pressure: N/A Other: Refer to ER Section 5 for Limits of Use		Installation Instructions FL5444_R6_II_2014_02_FINAL_ER_CERTAINTEED Asphalt Shingle_FL5444-R6.pdf Verified By: Robert Nieminen, PE PE-59166 Created by Independent Third Party: Yes Evaluation Reports FL5444_R6_AE_2014_02_FINAL_ER_CERTAINTEED Asphalt Shingle_FL5444-R6.pdf Created by Independent Third Party: Yes



Contact Us [1940 North Monroe Street, Tallahassee FL 32399](#) Phone: 850-487-1824

The State of Florida is an AA/EEO employer [Copyright 2007-2013 State of Florida](#), [Privacy Statement](#), [Accessibility Statement](#), [Refund Statement](#)

Under Florida law, email addresses are public records. If you do not want your e-mail address released in response to a public-records request, do not send electronic mail to this entity. Instead, contact the office by phone or by traditional mail. If you have any questions, please contact 850.487.1395. *Pursuant to Section 455.275 (1), Florida Statutes, effective October 1, 2012, licensees licensed under Chapter 455, F.S. must provide the Department with an email address if they have one. The emails provided may be used for official communication with the licensee. However email addresses are public record. If you do not wish to supply a personal address, please provide the Department with an email address which can be made available to the public. To determine if you are a licensee under Chapter 455, F.S., please [click here](#).

Product Approval Accepts:





EXTERIOR RESEARCH & DESIGN, LLC.
 Certificate of Authorization #9503
 353 CHRISTIAN STREET, UNIT #13
 OXFORD, CT 06478
 PHONE: (203) 262-9245
 FAX: (203) 262-9243

EVALUATION REPORT

CertainTeed Corporation
1400 Union Meeting Road
Blue Bell, PA 19422

Evaluation Report 3532.09.05-R6
FL5444-R6
Date of Issuance: 09/22/2005
Revision 6: 02/27/2014

SCOPE:

This Evaluation Report is issued under Rule 9N-3 and the applicable rules and regulations governing the use of construction materials in the State of Florida. The documentation submitted has been reviewed by Robert Nieminen, P.E. for use of the product under the Florida Building Code and Florida Building Code, Residential Volume. The products described herein have been designed to comply with the 2010 Florida Building Code.

DESCRIPTION: CertainTeed Asphalt Roofing Shingles.

LABELING: Each unit shall bear labeling in accordance with the requirements of the Accredited Quality Assurance Agency noted herein.

CONTINUED COMPLIANCE: This Evaluation Report is valid until such time as the named product(s) changes, the referenced Quality Assurance documentation changes, or provisions of the Code that relate to the product change. Acceptance of this Evaluation Report by the named client constitutes agreement to notify Robert Nieminen, P.E. if the product changes or the referenced Quality Assurance documentation changes. Trinity|ERD requires a complete review of this Evaluation Report relative to updated Code requirements with each Code Cycle.

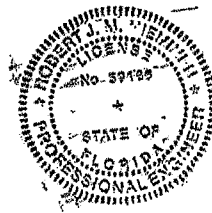
ADVERTISEMENT: The Evaluation Report number preceded by the words "Trinity|ERD Evaluated" may be displayed in advertising literature. If any portion of the Evaluation Report is displayed, then it shall be done in its entirety.

INSPECTION: Upon request, a copy of this entire Evaluation Report shall be provided to the user by the manufacturer or its distributors and shall be available for inspection at the job site at the request of the Building Official.

This Evaluation Report consists of pages 1 through 11.

Prepared by:

Robert J.M. Nieminen, P.E.
 Florida Registration No. 59166, Florida DCA ANE1983



The facsimile seal appearing was authorized by Robert Nieminen, P.E. on 02/27/2014. This does not serve as an electronically signed document. Signed, sealed hardcopies have been transmitted to the Product Approval Administrator and to the named client.

CERTIFICATION OF INDEPENDENCE:

1. Trinity|ERD does not have, nor does it intend to acquire or will it acquire, a financial interest in any company manufacturing or distributing products it evaluates.
2. Trinity|ERD is not owned, operated or controlled by any company manufacturing or distributing products it evaluates.
3. Robert Nieminen, P.E. does not have nor will acquire, a financial interest in any company manufacturing or distributing products for which the evaluation reports are being issued.
4. Robert Nieminen, P.E. does not have, nor will acquire, a financial interest in any other entity involved in the approval process of the product.



ROOFING SYSTEMS EVALUATION:

1. SCOPE:

Product Category: Roofing
Sub-Category: Asphalt Shingles
Compliance Statement: CertainTeed Asphalt Roofing Shingles, as produced by CertainTeed Corporation, have demonstrated compliance with the following sections of the Florida Building Code and Florida Building Code, Residential Volume through testing in accordance with the following Standards. Compliance is subject to the Installation Requirements and Limitations / Conditions of Use set forth herein.

2. STANDARDS:

<u>Section</u>	<u>Property</u>	<u>Standard</u>	<u>Year</u>
1507.2.5, R905.2.4	Physical Properties	ASTM D3462	2007
1507.2.7.1, R905.2.6.1	Wind Resistance	ASTM D3161, Class F	2006
1507.2.7.1, R905.2.6.1	Wind Resistance	ASTM D7158, Class H	2007

3. REFERENCES:

<u>Entity</u>	<u>Examination</u>	<u>Reference</u>	<u>Date</u>
UL (TST 1740)	ASTM D3161	94NK9632	05/15/1998
UL (TST 1740)	ASTM D3161	99NK26506	11/23/1999
UL (TST 1740)	ASTM D3161	03CA12702	05/27/2003
UL (TST 1740)	ASTM D3161	03CA12702	06/16/2003
UL (TST 1740)	ASTM D3161	03NK29847	10/03/2003
UL (TST 1740)	ASTM D3161	04CA11329	05/24/2004
UL (TST 1740)	ASTM D3161	04CA32986	12/03/2004
UL (TST 1740)	ASTM D3161	05NK07049	04/15/2005
UL (TST 1740)	ASTM D3161	05NK16778	05/12/2005
UL (TST 1740)	ASTM D3161	05CA16778	05/12/2005
UL (TST 1740)	ASTM D3161	05NK14836	05/22/2005
UL (TST 1740)	ASTM D3161	05NK22800	06/22/2005
UL (TST 1740)	ASTM D3462	R684	09/21/2005
UL (TST 1740)	ASTM D7158	05NK08037	06/28/2006
UL (TST 1740)	ASTM D3161 & D3462	09CA28873	07/23/2009
UL (TST 1740)	ASTM D3462	10CA41303	10/07/2010
UL (TST 1740)	ASTM D3161	10CA41303	10/08/2010
UL (TST 1740)	ASTM D7158	10CA41303	10/27/2010
UL (TST 1740)	ASTM D3161 & D3462	10CA44960	11/11/2010
UL LLC (TST 9628)	ASTM D3161, D3462 & D7158	13CA32897	11/21/2013
UL LLC (QUA 9625)	Quality Control	Service Confirmation	Exp. 02/13/2016



4. PRODUCT DESCRIPTION:

- 4.1 CT20™, XT™ 25 and XT™ 30 are fiberglass reinforced, 3-tab asphalt roof shingles.
- 4.2 Carriage House Shingle®, Centennial Slate™, Grand Manor Shingle®, Landmark™, Landmark™ Pro, Landmark™ Premium, Landmark™ TL and Landmark™ Solaris are fiberglass reinforced, laminated asphalt roof shingles.
- 4.3 Presidential Shake™ and Presidential Shake TL™ are fiberglass reinforced, architectural asphalt roof shingles.
- 4.4 Hatteras™ and Highland Slate™ are fiberglass reinforced, 4-tab asphalt roof shingles.
- 4.5 Patriot™ is a fiberglass reinforced asphalt roof strip-shingle (with no cut-outs) providing a laminated appearance through an intermittent shadow line with contrasting blend drops for color definition.
- 4.6 Presidential Accessory, Accessory for Hatteras, Shangle Ridge™, Shadow Ridge™ and Cedar Crest™ are fiberglass reinforced accessory shingles for hip and ridge installation.
- 4.7 Any of the above listed shingles may be produced in AR (algae resistant) versions.

5. LIMITATIONS:

- 5.1 This Evaluation Report is not for use in the HVHZ
- 5.2 Fire Classification is not part of this Evaluation Report; refer to current Approved Roofing Materials Directory for fire ratings of this product.
- 5.3 Wind Classification:
 - 5.3.1 All shingles noted herein are Classified in accordance with FBC Tables 1507.2.7.1 and R905.2.6.1 to ASTM D3161, Class F and/or ASTM D7158, Class H, indicating the shingles are acceptable for us in all wind zones up to $V_{asd} = 150$ mph ($V_{ult} = 194$ mph). Refer to Section 6 for installation requirements to meet this wind rating.
 - 5.3.2 Presidential Accessory, Accessory for Hatteras, Shangle Ridge, Shadow Ridge and Cedar Crest hip & ridge shingles have been evaluated in accordance with ASTM D3161, Class F when BASF Sonolastic NP 1 adhesive or Henkel PL® Polyurethane Roof & Flashing Sealant, applied as specified in manufacturer's application instructions, indicating the shingles are acceptable for us in all wind zones up to $V_{asd} = 150$ mph ($V_{ult} = 194$ mph).
 - 5.3.3 Classification by ASTM D7158 applies to exposure category B or C and a building height of 60 feet or less. Calculations by a qualified design professional are required for conditions outside these limitations. Contact the shingle manufacturer for data specific to each shingle.
 - 5.3.3.1 Analysis in accordance with ASTM D7158 indicates the measured uplift resistance (R_T) for the CertainTeed asphalt roofing shingles listed in Section 4.1 through 4.5 exceeds the calculated uplift force (F_T) at a maximum design wind speed of $V_{asd} = 150$ mph ($V_{ult} = 194$ mph) for residential buildings located in Exposure D conditions with no topographical variations (flat terrain) having a mean roof height less than or equal to 60 feet.

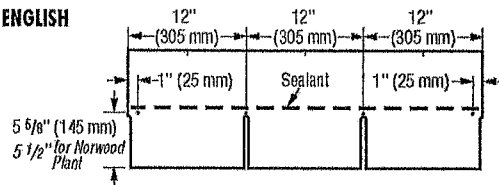
The shingles are permissible under Code for installation in these conditions using the installation procedures detailed in this Evaluation Report and CertainTeed minimum requirements, subject to minimum codified fastening requirements established within any local jurisdiction, which shall take precedence.
- 5.4 All products in the roof assembly shall have quality assurance audits in accordance with the Florida Building Code and F.A.C. Rule 9N-3.

6. INSTALLATION:

- 6.1 Roof deck, slope, underlayment and fasteners shall comply with FBC 1507.2 / R905.2 and the shingle manufacturer's minimum requirements.
- 6.1.1 Underlayment shall be acceptable to CertainTeed Corporation and shall hold current Florida Statewide Product Approval, or be Locally Approved per Rule 9N-3, per FBC Sections 1507.2.3, 1507.2.4 or R905.2.3.
- 6.2 Installation of asphalt shingles shall comply with the manufacturer's current published instructions, using minimum four (4) nails per shingle in accordance with FBC 1507.2.7 or Section R905.2.6 and the minimum requirements herein.
- 6.2.1 Fasteners shall be in accordance with manufacturer's published requirements, but not less than FBC 1507.2.6 or R905.2.5. Staples are not permitted.
- 6.2.2 Where the roof slope exceeds 21 units vertical in 12 units horizontal, use the "Steep Slope" directions.
- 6.3 CertainTeed asphalt shingles are acceptable for use in reroof (tear-off) or recover applications, subject to the limitations set forth in FBC Section 1510 and CertainTeed published installation instructions.
- 6.3.1 **CT20™, XT™ 25, and XT™ 30:**

LOW AND STANDARD SLOPE

ENGLISH



METRIC

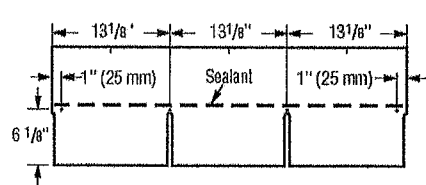
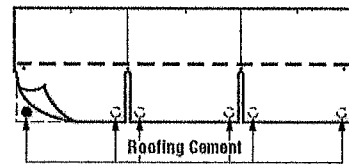


Figure 11-3: Use four nails for every full shingle.

STEEP SLOPE

Use four nails and six spots of asphalt roofing cement* for every full shingle (Figure 11-4). Asphalt roofing cement meeting ASTM D4586 Type II is suggested.



Apply 1" (25 mm) spots of asphalt roofing cement under each tab corner

Figure 11-4: Use four nails and six spots of asphalt cement on steep slopes.

*CAUTION: Excessive use of roofing cement can cause shingles to blister.

6.3.1.1 Hip & Ridge: Cut Shingles

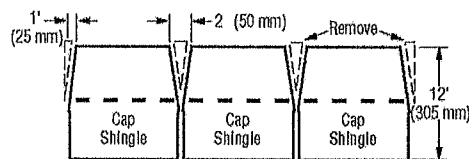


Figure 11-24: Cut tabs, then trim back to make cap shingles (English dimensions shown).

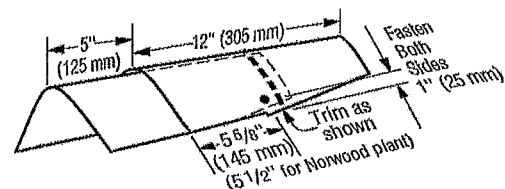


Figure 11-25: Installation of caps along the hips and ridges.

Note: For ASTM D3161 - Class F, use BASF Sonolastic NP 1 adhesive or Henkel PL® Polyurethane Roof & Flashing Sealant, in accordance with manufacturer's instructions.



[DEPR HOME](#) | [ABOUT DEPR](#) | [DEPR DIVISIONS](#) | [CONTACT DEPR](#)



[BCIS Home](#) | [Log In](#) | [User Registration](#) | [Hot Topics](#) | [Submit Surcharge](#) | [Stats & Facts](#) | [Publications](#) | [FBC Staff](#) | [BCIS Site Map](#) | [Links](#) | [Search](#)



Product Approval
USER: Public User

License efficiently. Regulate fairly.

[Product Approval Menu](#) > [Product or Application Search](#) > [Application List](#) > **Application Detail**



FL #	FL16503						
Application Type	New						
Code Version	2010						
Application Status	Approved						
Comments							
Archived	<input type="checkbox"/>						
Product Manufacturer	KAYCAN LTD						
Address/Phone/Email	1 Memorial Drive Richford, VT 05476 (406) 553-6818 Ext 0 alex.jovanovic@kpproducts.com						
Authorized Signature	Jovanovic Alex alex.jovanovic@kpproducts.com						
Technical Representative	Alex Jovanovic						
Address/Phone/Email	255 Summerlea Road Brampton, NON-US 05476 (905) 793-9462 Ext 235 alex.jovanovic@kpproducts.com						
Quality Assurance Representative	Alex Jovanovic						
Address/Phone/Email	1 Memorial Drive Richford, VT 05476 (416) 553-6818 alex.jovanovic@kpproducts.com						
Category	Panel Walls						
Subcategory	Soffits						
Compliance Method	Evaluation Report from a Florida Registered Architect or a Licensed Florida Professional Engineer <input checked="" type="checkbox"/> Evaluation Report - Hardcopy Received						
Florida Engineer or Architect Name who developed the Evaluation Report	Robert J. Amoruso, P E.						
Florida License	PE-49752						
Quality Assurance Entity	Architectural Testing, Inc						
Quality Assurance Contract Expiration Date	12/31/2014						
Validated By	Steven M Ulrich, PE <input checked="" type="checkbox"/> Validation Checklist - Hardcopy Received						
Certificate of Independence	FL16503_R0_COI_CofI_2241_Rev0_413-0204_KaycanSoffit.pdf						
Referenced Standard and Year (of Standard)	<table border="0"> <thead> <tr> <th><u>Standard</u></th> <th><u>Year</u></th> </tr> </thead> <tbody> <tr> <td>ASTM D3679</td> <td>06a</td> </tr> <tr> <td>ASTM E330</td> <td>2002</td> </tr> </tbody> </table>	<u>Standard</u>	<u>Year</u>	ASTM D3679	06a	ASTM E330	2002
<u>Standard</u>	<u>Year</u>						
ASTM D3679	06a						
ASTM E330	2002						
Equivalence of Product Standards Certified By	Florida Licensed Professional Engineer or Architect FL16503_R0_Equiv_EER_2241_Rev0_413-0204_KaycanSoffit.pdf						
Sections from the Code							

Product Approval Method Method 1 Option D

Date Submitted 07/29/2013
 Date Validated 07/30/2013
 Date Pending FBC Approval 08/27/2013
 Date Approved 10/18/2013

Summary of Products		
FL #	Model, Number or Name	Description
16503 1	Vinyl/PVC and Aluminum Soffit	See Installation Instructions for Product Models Included
Limits of Use Approved for use in HVHZ: No Approved for use outside HVHZ: Yes Impact Resistant: No Design Pressure: N/A Other: See Installation Instructions for Design Pressures.		Installation Instructions FL16503_RO_II_KAY0007_Rev0_Soffit.pdf Verified By: Robert J. Amoruso, P.E. FL License No. 49752 Created by Independent Third Party: Yes Evaluation Reports FL16503_RO_AE_PER_2241_Rev0_413-0204_KaycanSoffit.pdf Created by Independent Third Party: Yes



Contact Us 1940 North Monroe Street, Tallahassee FL 32399 Phone: 850-487-1824

The State of Florida is an AA/EEO employer [Copyright 2007-2013 State of Florida](#), [Privacy Statement](#) [Accessibility Statement](#) [Refund Statement](#)

Under Florida law, email addresses are public records. If you do not want your e-mail address released in response to a public-records request, do not send electronic mail to this entity. Instead, contact the office by phone or by traditional mail. If you have any questions, please contact 850.487.1395. Pursuant to Section 455.275 (1), Florida Statutes, effective October 1, 2012, licensees licensed under Chapter 455, F.S. must provide the Department with an email address if they have one. The emails provided may be used for official communication with the licensee. However, email addresses are public record. If you do not wish to supply a personal address, please provide the Department with an email address which can be made available to the public. To determine if you are a licensee under Chapter 455, F.S., please click [here](#).

Product Approval Accepts:



KAYCAN LTD

VINYL/PVC AND ALUMINUM SOFFIT - SOLID AND VENTED

INSTALLATION ANCHORAGE DETAILS

GENERAL NOTES:

1. THIS PRODUCT HAS BEEN TESTED AND DESIGNED TO COMPLY WITH THE 2010 FLORIDA BUILDING CODE (FBC) EXCLUDING THE HIGH VELOCITY HURRICANE ZONE (HVHZ) AT THE DESIGN PRESSURES SHOWN ON THIS SHEET (SEE TABLE). THESE PRODUCTS WERE TESTED TO ASTM E330-02 STRUCTURAL TEST RESULTS BASED ON ASTM E330-02 WERE DIVIDED BY 1.5 AS REQUIRED BY 2010 FBC, SECTION 1715.9.4 AND 2010 FBC, SECTION R616.4.
2. DESIGN PRESSURE (DP) RATINGS SHOWN ON THIS SHEET ARE DOCUMENTED AT TWO EAVE WIDTHS.
- 2.1 FOR EAVE WIDTHS THE SAME AS THE MINIMUM AND MAXIMUM RANGES SHOWN, THE DP FOR THAT EAVE WIDTH SHALL APPLY.
- 2.2 FOR EAVE WIDTHS LESS THAN THE MINIMUM SHOWN, THE DP AT THE MINIMUM EAVE WIDTH SHALL APPLY.
- 2.3 FOR EAVE WIDTHS GREATER THAN THE MINIMUM BUT LESS THAN THE MAXIMUM SHOWN, THE DP MAY BE LINEARLY INTERPOLATED.
- 2.4 EAVE WIDTHS GREATER THAN THE MAXIMUM EAVE WIDTH SHOWN ARE NOT ALLOWED.
3. THE PRODUCT DETAILS CONTAINED HEREIN ARE BASED UPON SIGNED AND SEALED ENGINEERING TESTING LABORATORY, INC. TESTING REPORT NO. 7367 DATED 8/1/13 AND NO. 7323, DATED 5/21/13 INCLUDING ASSOCIATED LABORATORY STAMPED DRAWINGS.
4. ADEQUACY OF THE EXISTING STRUCTURAL CONCRETE, MASONRY AND WOOD FRAMING COMPRISING THE ATTACHMENT SUBSTRATE FOR THE SOFFIT SHALL BE DETERMINED TO BE CAPABLE OF WITHSTANDING AND TRANSFERRING APPLIED PRODUCT LOADS TO THAT STRUCTURE AND IS THE RESPONSIBILITY OF THE ARCHITECT OR ENGINEER OF RECORD FOR THE PROJECT.
5. OVERHANGS RECEIVING SOFFIT SHALL BE CHECKED FOR STRUCTURAL ADEQUACY, DAMAGE, CRACKS OR DEFECTS THAT MAY PRECLUDE THE SOFFIT FROM PERFORMING ITS INTENDED FUNCTIONS SHALL BE ELIMINATED.
6. INSTALLATION OF SOFFIT AND ACCESSORIES SUCH AS CORNER POSTS, STARTER STRIPS, AND TRIM AROUND OPENINGS SHALL BE DONE IN ACCORDANCE WITH THE 2010 FLORIDA BUILDING CODE AND THE MANUFACTURERS INSTRUCTIONS.
7. SITE CONDITIONS THAT DEVIATE FROM THE DETAILS OF THIS DRAWING REQUIRE FURTHER ENGINEERING EVALUATION BY A LICENSED ENGINEER OR REGISTERED ARCHITECT.
8. SOFFIT SHALL BE LABELED IN ACCORDANCE WITH 2010 FBC, SECTION 1715.9.2 AND 2010 FBC, SECTION R616.2.
9. SOFFIT NET FREE AREA IN ACCORDANCE WITH 2010 FBC, SECTION 1715.9.1 AND 2010 FBC, SECTION R616.1 ARE SHOWN IN THE APPROVED SOFFIT SCHEDULE ON SHEET 2.
10. MATERIALS:
 - 10.1. KAYCAN BUILDING PRODUCTS VINYL SOFFIT IS MANUFACTURED FROM A FORMULATED PVC POWDER COMPOUND MEETING THE SPECIFICATIONS OF ASTM D3679.
 - 10.2. KAYCAN BUILDING PRODUCTS ALUMINUM SOFFIT IS MANUFACTURED FROM ALUMINUM ALLOY WITH ASTM B5 TESTED TENSILE STRENGTH OF 21 KSI AND YIELD STRENGTH OF 9.86 KSI.
 - 10.3. SEE SHEET 2 FOR SOFFIT SPECIFICATIONS.

INSTALLATION NOTES:

1. ANCHORS SHALL BE THE TYPE, SIZE, EMBEDMENT AND EDGE DISTANCE SHOWN HEREIN FOR RESPECTIVE SUBSTRATE.
2. INSTALLATION ANCHORS SHALL BE AS SHOWN ON THE INSTALLATION FASTENER SCHEDULE ON SHEET 3 AND IN INSTALLATION DETAILS ON SHEETS 11, 12, 13 AND 14.
3. MINIMUM EMBEDMENT EXCLUDE WALL FINISHES (INCLUDING BUT NOT LIMITED TO STUCCO, FOAM, BRICK VENEER AND SIDING). EDGE DISTANCES SHALL BE SUCH TO PREVENTIVE CRACKING OF SUBSTRATE MATERIAL.
4. ALL FASTENERS SHALL HAVE CORROSION RESISTANT COATINGS OR BE MADE OF CORROSION RESISTANT MATERIALS COMPATIBLE WITH THE SUBSTRATE MATERIALS.

DESIGN PRESSURE (PSF) RATING

VINYL (PVC) SOFFIT SERIES	EAVE WIDTH (IN)	DESIGN PRESSURE (PSF)
12" TRIPLE 4 SOLID SOFFIT 12" TRIPLE 4 VENTED SOFFIT 12" TRIPLE 4 CENTER-VENT SOFFIT 12" TRIPLE 4 FULL-O-VENT SOFFIT	10	+106.7 / -33.3
	24	+93.3 / -33.3
10" DOUBLE 5 SOLID SOFFIT 10" DOUBLE 5 VENTED SOFFIT	10	+113.3 / -46.7
	24	+106.7 / -40
8" BEADED SOLID SOFFIT 8" BEADED VENTED SOFFIT	10 TO 24	+106.7 / -40
ALUMINUM SOFFIT SERIES	SP-600 16" SOLID SOFFIT SP-600 16" VENTED SOFFIT	+80 / -36.7
	12	+93.3 / -40
12" 3 PANEL SOLID SOFFIT 12" 3 PANEL VENTED SOFFIT	12	+106.7 / -46.7
	24	+93.3 / -40

DESIGN PRESSURE RATINGS SHOWN ABOVE SHALL BE COMPARED TO LOADING BASED ON VASD BASIC WIND SPEEDS. THIS PROJECT DESIGN PRESSURES AS DETERMINED FROM ASCE 7-10 BASED ON VUL BASIC WIND SPEEDS ARE PERMITTED TO BE MULTIPLIED BY 0.6 PER SECTION 1715.9.4 OF THE 2010 FBC/SECTION R616.4 OF THE 2010 FBC FOR COMPARISON TO THE DESIGN PRESSURE RATINGS ABOVE.

TABLE OF CONTENT

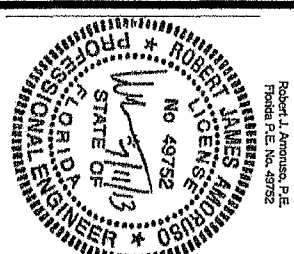
SHEET	DESCRIPTION
1	GENERAL NOTES AND SPECIFICATIONS
2	APPROVED VINYL AND ALUMINUM SOFFIT AND TRIM SCHEDULE
3	INSTALLATION FASTENER SCHEDULE AND SOFFIT PROFILES
4 TO 11	SOFFIT AND ACCESSORY PROFILES
12	SOFFIT INSTALLATION CROSS SECTION
13	WALL SIDE - STAPLE DETAIL
14	WALL SIDE - NAIL DETAIL
15	EAVE/FASCIA SIDE DETAIL

PROJECT #413-0204

KAYCAN LTD
1 MEMORIAL DRIVE
RICHFORD, VT 05476

TITLE: VINYL/PVC AND ALUMINUM SOFFIT INSTALLATION
GENERAL NOTES AND SPECIFICATIONS

PREPARED BY:	DRAWN BY:	DATE:
PTC	R.J.A.	04/11/13
PTC PRODUCT DESIGN GROUP, LLC P.O. Box 650716 Longwood, FL 32766-0716 FBI/PE Code of Auth. No. 25593	SCALE: N.T.S.	DRAWING NO: KAY0007
REV: -	SHEET:	1 OF 15



Robert J. Amoruso, P.E.
Florida P.E. No. 49752

APPROVED VINYL AND ALUMINUM SOFFIT AND TRIM SCHEDULE

Kaycan Vinyl Soffit and Trim

Product	Kaycan Drawing No.	Panel Length (in)	Thickness (in)	Net Free Area (sq. in./lineal ft.)	Net Free Area (sq. in./sq. ft.)
12" Triple 4 Solid Soffit (Vinyl)	VSAAF-0801UA	144	0.040	n/a	n/a
12" Triple 4 Vented Soffit (Vinyl)	VSAAF-0801UD	144	0.040	6.55	6.55
12" Triple 4 Center-Vent Soffit (Vinyl)	VSAAF-0801UD	144	0.040	2.18	2.18
12" Triple 4 Center-O-Vent Soffit (Vinyl)	VSAAF-0801UB	144	0.040	1.37	1.37
10" Double 5 Solid Soffit (Vinyl)	VSAAM-0800UA	144	0.040	n/a	n/a
10" Double 5 Vented Soffit (Vinyl)	VSAAM-0800UB	144	0.040	5.17	4.50
8" Beaded Solid Soffit (Vinyl)	VSAAX-0800UA	150	0.040	n/a	n/a
8" Beaded Vented Soffit (Vinyl)	VSAAX-0800UB	150	0.040	3.38	4.64
F-Channel/Trim (Vinyl)	VAAAT-0800UA	n/a	0.040	n/a	n/a
4" Fascia Trim (Aluminum)	ACAAR-1800UA	n/a	0.022	n/a	n/a

Kaycan Aluminum Soffit and Trim

Product	Kaycan Drawing No.	Panel Length (in)	Thickness (in)	Net Free Area (sq. in./lineal ft.)	Net Free Area (sq. in./sq. ft.)
SP-600 16" Solid Soffit (Aluminum)	606	144	0.015	n/a	n/a
SP-600 16" Vented Soffit (Aluminum)	605	144	0.015	7.70	6.17
12" 3 Panel Solid Soffit (Aluminum)	9518	144	0.015	n/a	n/a
12" 3 Panel Vented Soffit (Aluminum)	9517	144	0.015	6.57	6.57
F-Channel/Trim (Aluminum)	ACAAN-1800UA	n/a	0.022	n/a	n/a
4" Fascia Trim (Aluminum)	ACAAR-1800UA	n/a	0.022	n/a	n/a

PROJECT #413-0204

KAYCAN LTD
1 MEMORIAL DRIVE
RICHFORD, VT 05476

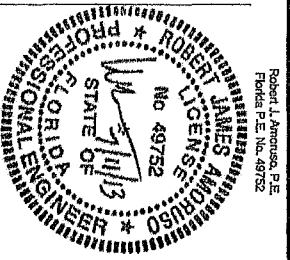
TITLE: VINYL/PVC AND ALUMINUM SOFFIT INSTALLATION
APPROVED VINYL & ALUMINUM SOFFIT & TRIM SCHEDULE

PREPARED BY:	DATE:
SCALE:	DRAWING NO.:
REV:	SHEET:



PREPARED BY:	DATE:
SCALE:	DRAWING NO.:
REV:	SHEET:

REV	DESCRIPTION	DATE	BY
-----	-------------	------	----

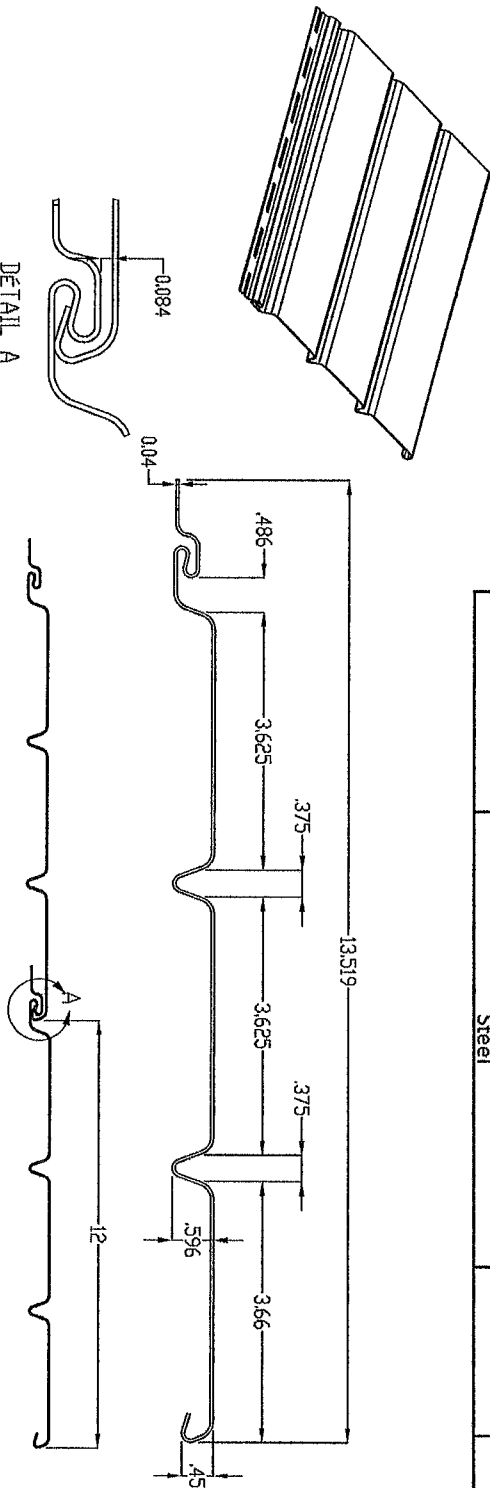


Robert J. Ambrose, P.E.
Florida P.E. No. 49752

INSTALLATION FASTENER SCHEDULE

Wall Side		F-Channel (Trim)	
Substrate	Fastener	Embedment	Max. Spacing
Wood	Min. 0.12" Dia. Nail with 3/8" Head Dia. Three (3) Min. 1" Leg Length x 1/4" Width Crown Staples in a Triangular Pattern	1-1/4"	24"
Concrete or Masonry (CMU Block)	Min. 0.097" Diameter Hardened T-Nail or Stub Nail	5/8"	24"

Eave/Fascia Side		Soffit	
Substrate	Fastener	Embedment	Max. Spacing
Wood	3/8" Leg Length X 3/8" Width T50 Crown Staple	3/8"	Located In Each Soffit Panel Valley
	Fascia Cap Fastener	Embedment	Max. Spacing
	5d 1-3/4" Long x 0.072" Dia. Trim Nail Stainless Steel	1-3/4"	48"



12" TRIPLE 4 SOLID SOFFIT - VINYL

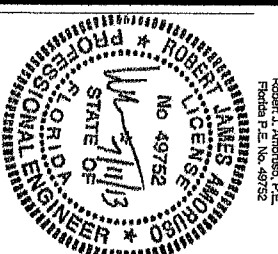
DETAIL A

PROJECT #413-0204

KAYCAN LTD
1 MEMORIAL DRIVE
RICHFORD, VT 05476

TITLE: VINYL/PVC AND ALUMINUM SOFFIT INSTALLATION
INSTALLATION FASTENER SCHEDULE / 12" TRIPLE 4 SOLID SOFFIT - VINYL

PREPARED BY: PTC
DRAWN BY: RJA
SCALE: N.T.S.
DATE: 04/11/13
DRAWING NO: KAY0007
REV: -
SHEET: 3 OF 15

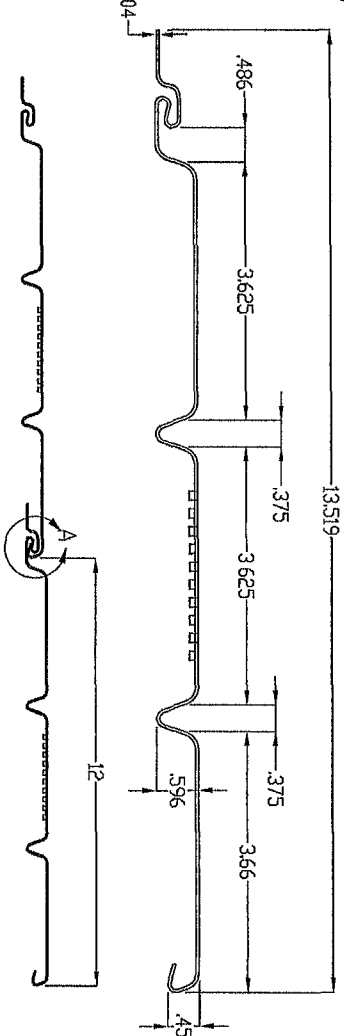
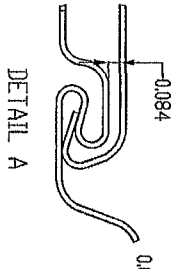
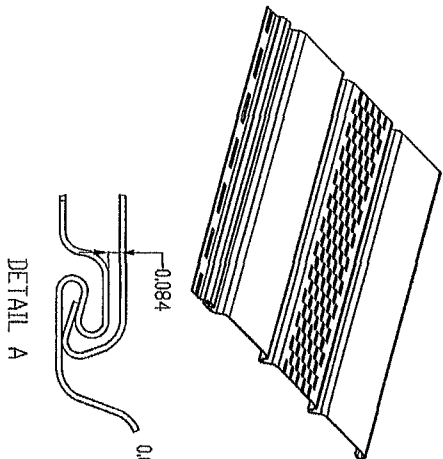


Robert L. Amoruso, P.E.
Florida P.E. No. 49752

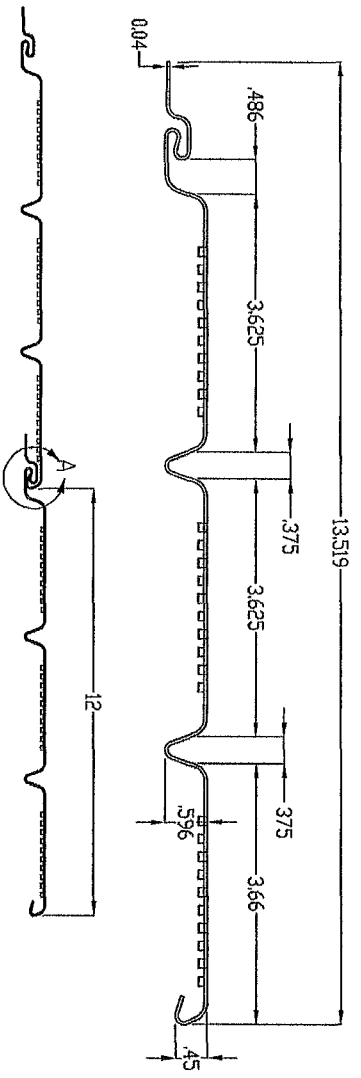
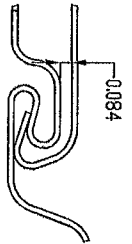
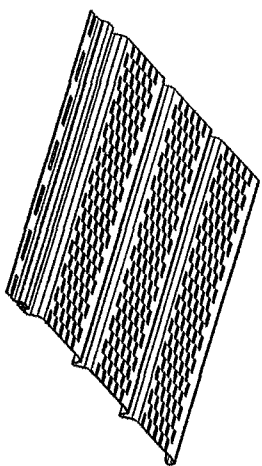
PTC PRODUCT DESIGN GROUP, LLC
P.O. Box 620776
Longwood, FL 32769-0776
FBPE Cert. of Auth. No. 26605

Phone: 921.660.4788
Fax: 921.660.4789
Email: info@ptc-corp.com

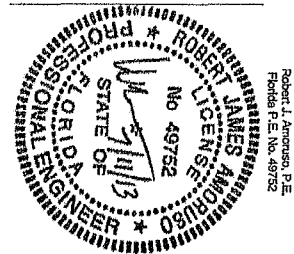
REV	DESCRIPTION	DATE	BY



12" TRIPLE 4 CENTER-VENT SOFFIT - VINYL

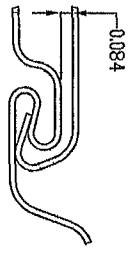
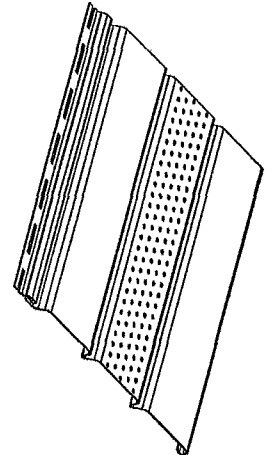


12" TRIPLE 4 VENTED SOFFIT - VINYL

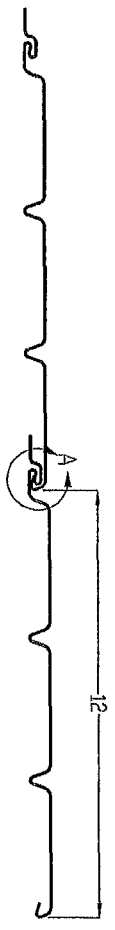
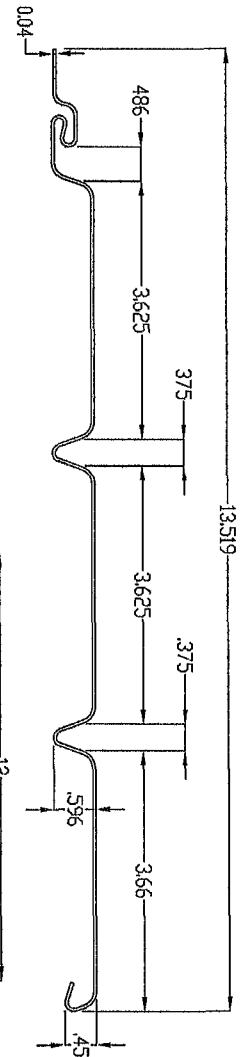


Robert J. Anderson, P.E.
Florida P.E. No. 49752

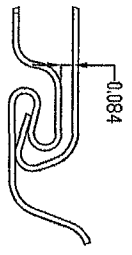
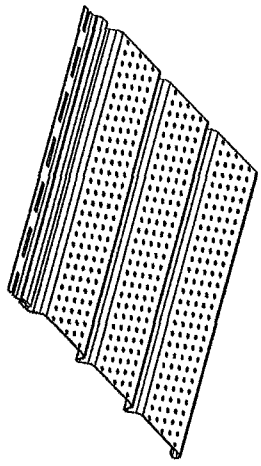
KAYCAN LTD 1 MEMORIAL DRIVE RICHFORD, VT 05476		PROJECT #413-0204	
TITLE: VINYL/PVC AND ALUMINUM SOFFIT INSTALLATION 12" TRIPLE 4 VENTED & CENTER-VENT SOFFIT - VINYL			
PREPARED BY: PTC PRODUCT DESIGN GROUP, LLC P.O. Box 65076 Longwood, FL 32762-0776 FBPE Cert. of Auth. No. 26263	DRAWN BY: RJA	DATE: 04/11/13	REV:
SCALE: N T.S.	DRAWING NO: KAY0007	SHEET: 4 OF 15	DESCRIPTION DATE BY



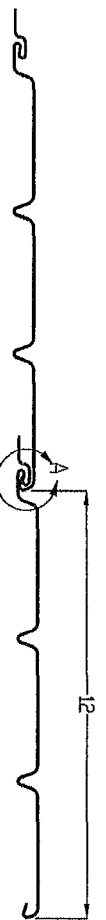
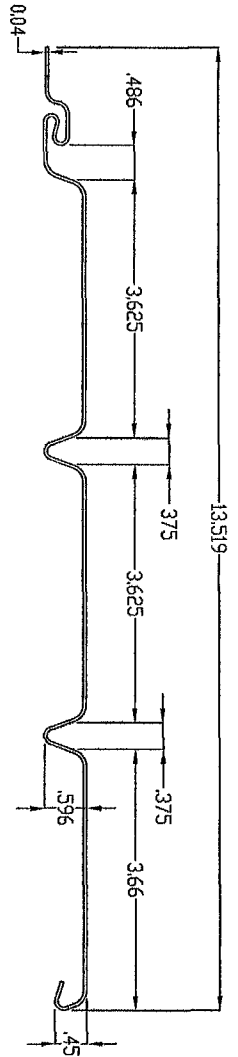
DETAIL A



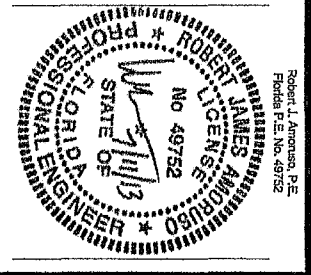
12" TRIPLE 4 CENTER-O-VENT SOFFIT - VINYL



DETAIL A



12" TRIPLE 4 FULL-O-VENT SOFFIT - VINYL



Robert J. James, P.E.
 Florida License No. 49752

KAYCAN LTD
 1 MEMORIAL DRIVE
 RICHFORD, VT 05476

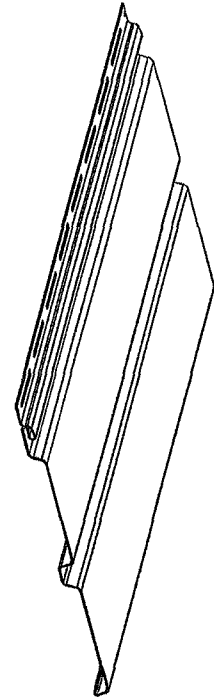
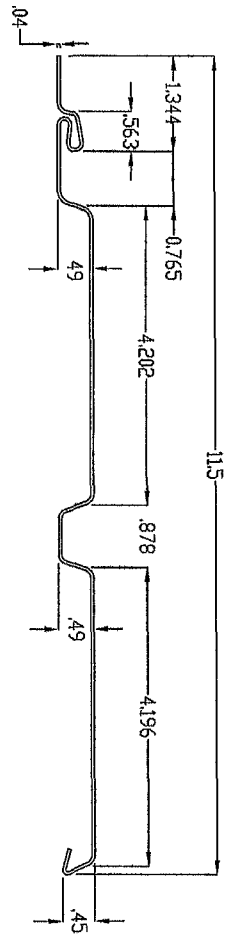
TITLE: VINYL/PVC AND ALUMINUM SOFFIT INSTALLATION
 12" TRIPLE 4 CENTER-O-VENT & FULL-O-VENT SOFFIT - VINYL

PREPARED BY: **PTC** PRODUCT DESIGN GROUP, LLC
 P.O. Box 650715
 Longwood, FL 32750-0715
 Phone: 321.680.4788
 Fax: 321.680.4789
 Email: info@kaycan.com

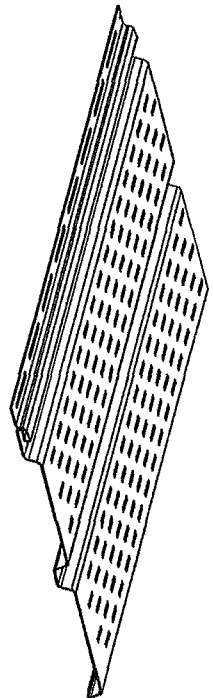
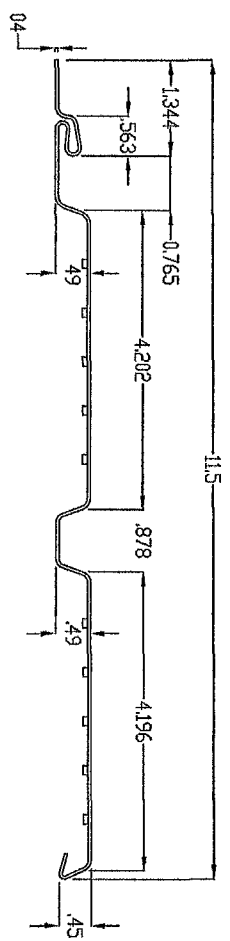
DRAWN BY: RJA
 DATE: 04/11/13
 SCALE: N.T.S.
 DRAWING NO: KAY0007

REV: -
 SHEET: 5 OF 15

PROJECT #413-0204			
REV	DESCRIPTION	DATE	BY



10" DOUBLE 5 SOLID SOFFIT - VINYL



10" DOUBLE 5 VENTED SOFFIT - VINYL

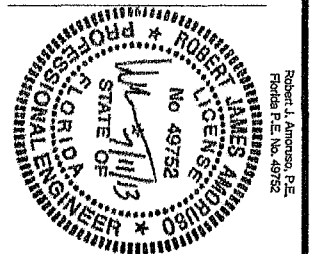
PROJECT #413-0204

KAYCAN LTD
1 MEMORIAL DRIVE
RICHFORD, VT 05476

TITLE: VINYL/PVC AND ALUMINUM SOFFIT INSTALLATION
10" DOUBLE 5 SOLID & VENTED SOFFIT - VINYL

PREPARED BY:	DRAWN BY:	DATE:
	RJA	04/11/13
	SCALE:	DRAWING NO:
	N.T.S.	KAY0007
REV:		SHEET:
		6 OF 15

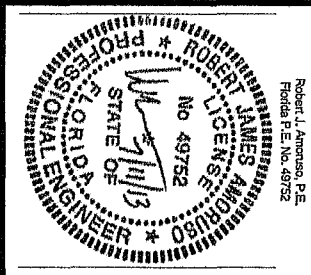
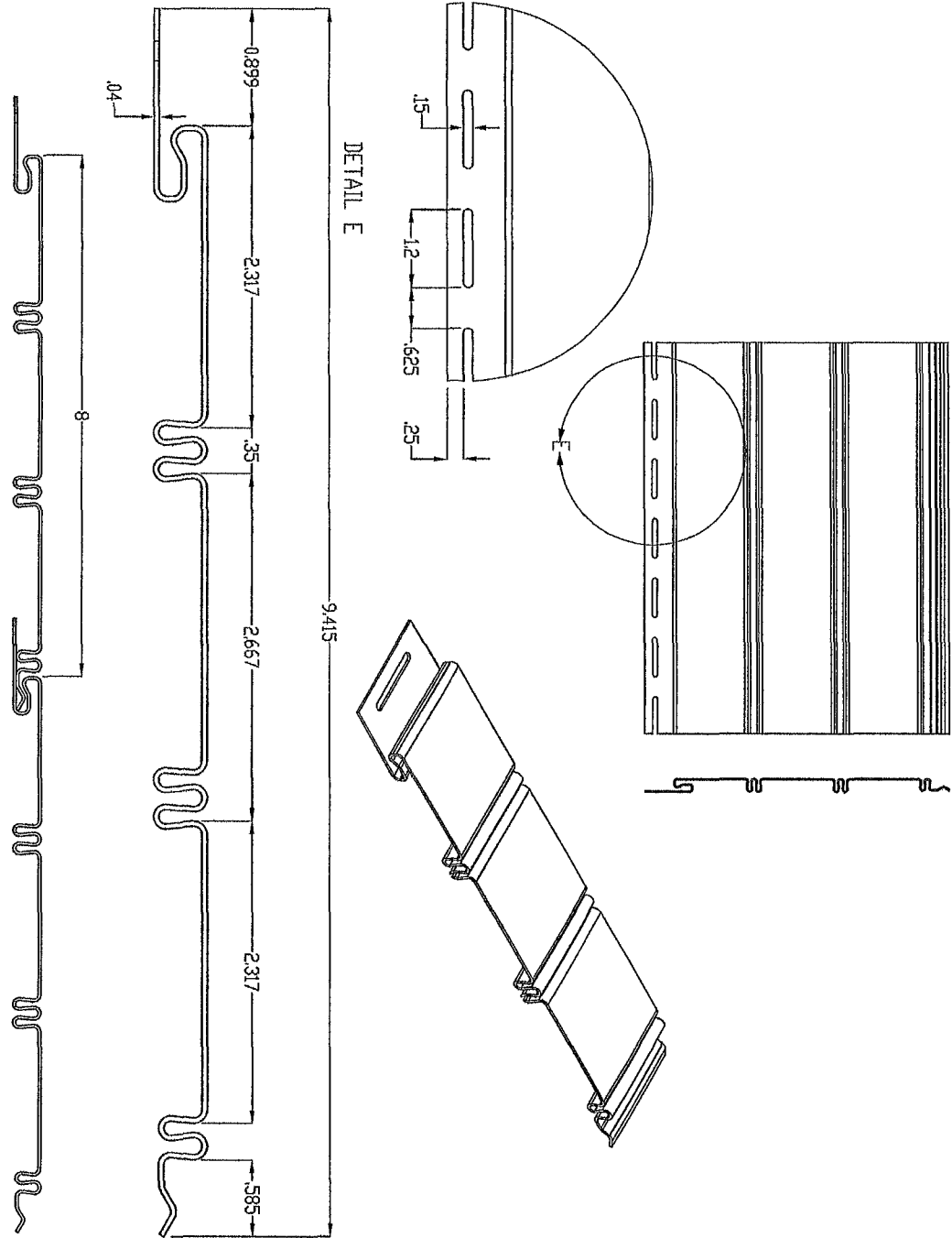
REV	DESCRIPTION	DATE	BY



Robert J. Amoruso, P.E.
Florida P.E. No. 49752

PTC
PTC PRODUCT DESIGN GROUP, LLC
P.O. Box 650775
Longwood, FL 32765-0775
FBPE Cert. of Auth. No. 25695
Phone: 321.650.1788
Fax: 321.650.1789
Email: ptc@ptc-usa.com

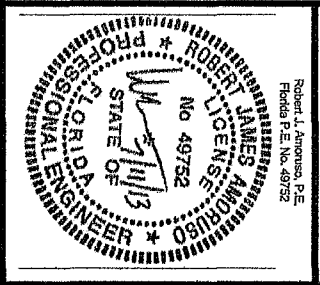
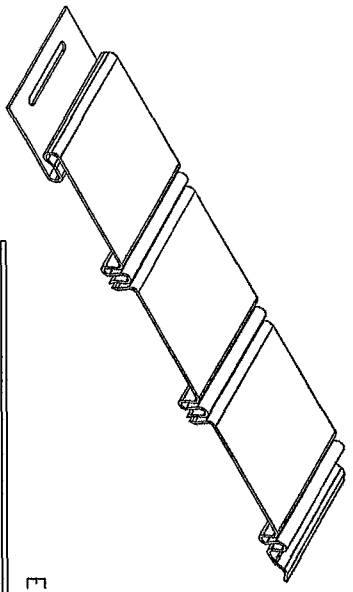
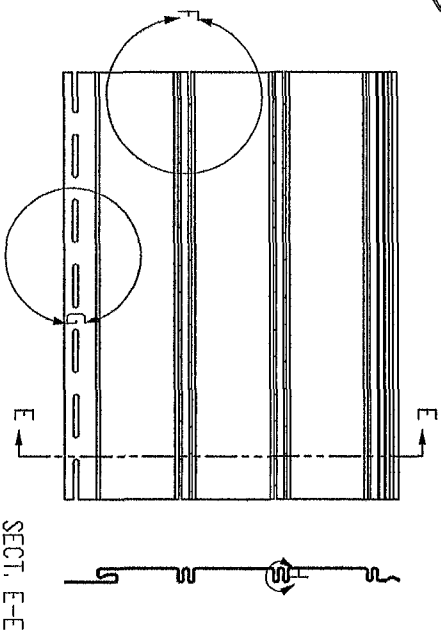
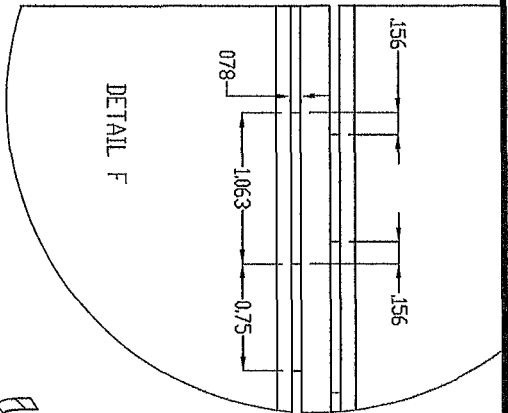
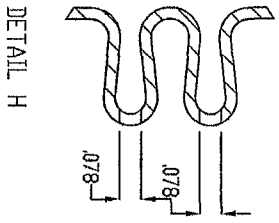
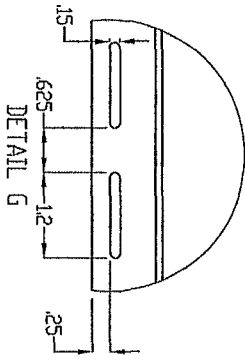
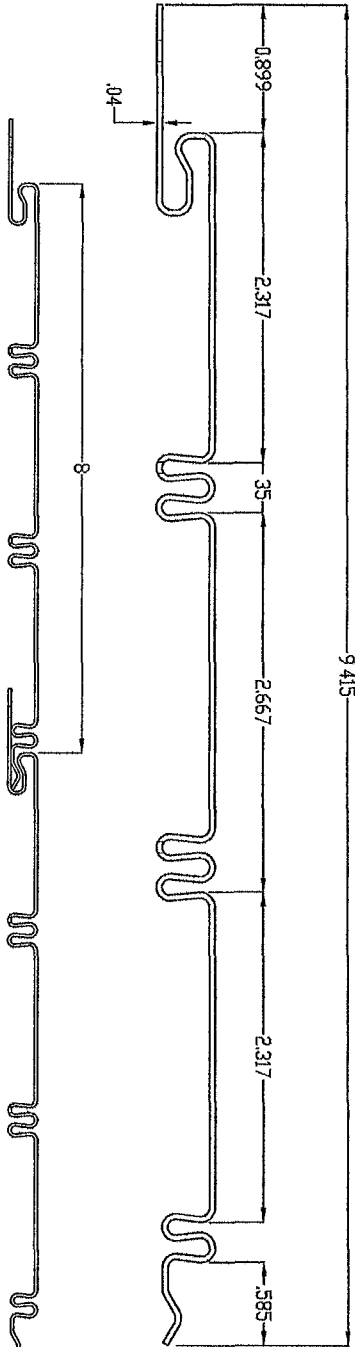
8" BEADED SOLID SOFFIT - VINYL



Robert J. Anderson, P.E.
 Florida P.E. No. 49752

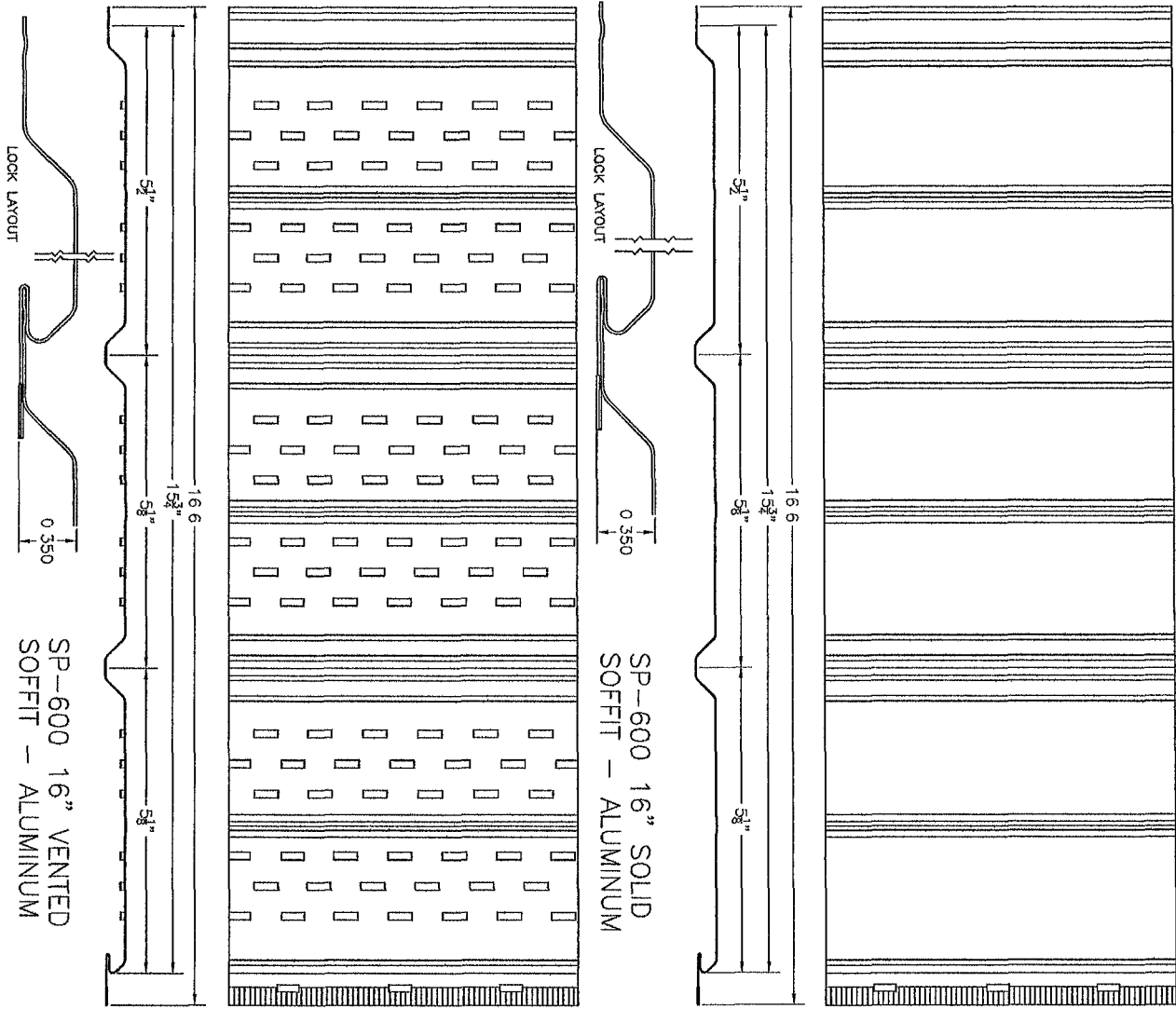
KAYCAN LTD 1 MEMORIAL DRIVE RICHFORD, VT 05478		PROJECT #413-0204		
TITLE: VINYL/PVC AND ALUMINUM SOFFIT INSTALLATION 8" BEADED SOLID SOFFIT - VINYL				
PREPARED BY: PTC PTC PRODUCT DESIGN GROUP, LLC P.O. Box 620715 Longwood, FL 32750-0715 FBPE Conf. of Auth. 16, 22835	DRAWN BY: RJA	DATE: 04/11/13	DRAWING NO: KAY0007	REV:
SCALE: N.T.S.	REV:	SHEET: 7 OF 15	REV:	DESCRIPTION DATE BY

8" BEADED VENTED SOFFIT - VINYL



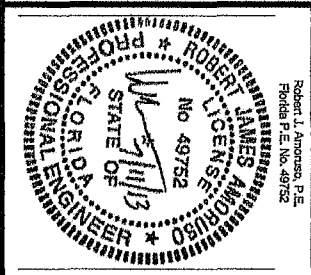
Robert J. Anderson, P.E.
Florida P.E. No. 49752

KAYCAN LTD 1 MEMORIAL DRIVE RICHFORD, VT 05478		PROJECT #413-0204	
TITLE: VINYL/PVC AND ALUMINUM SOFFIT INSTALLATION 8" BEADED VENTED SOFFIT - VINYL			
PREPARED BY: PTC <small>PTC PRODUCT DESIGN GROUP, LLC P.O. Box 620775 Longwood, FL 32905-0775 Phone 321.690.1783 Fax 321.650.1709 Email: PTC@ptcgroup.com</small>	DRAWN BY: RJA	DATE: 04/11/13	DRAWING NO: KAY0007
SCALE: N.T.S.	REV: -	SHEET: 8 OF 15	REV DESCRIPTION DATE BY



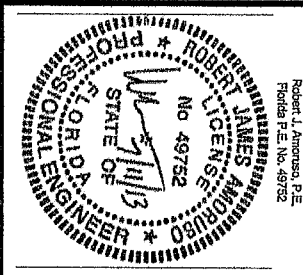
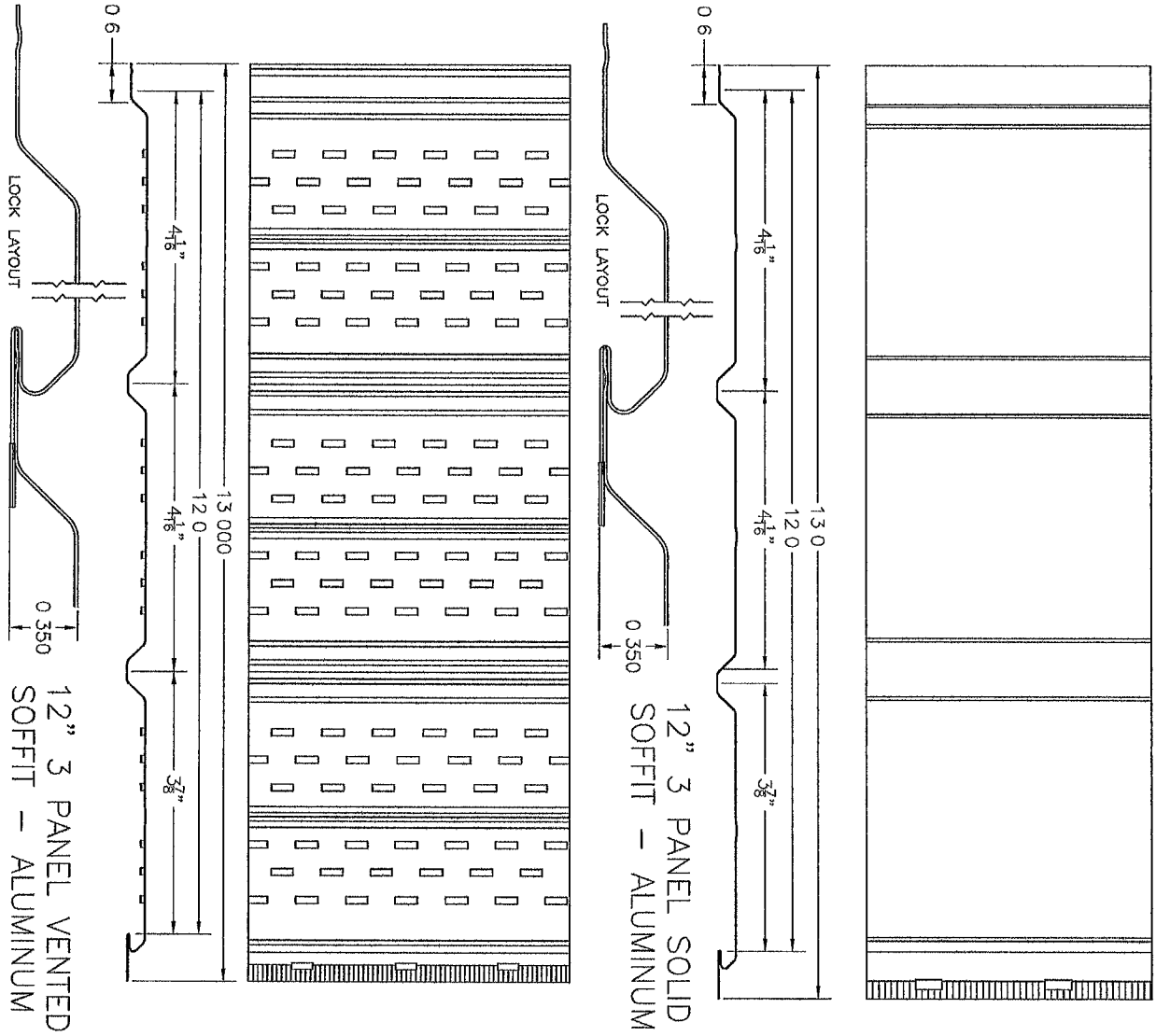
SP-600 16" VENTED
SOFFIT - ALUMINUM

SP-600 16" SOLID
SOFFIT - ALUMINUM



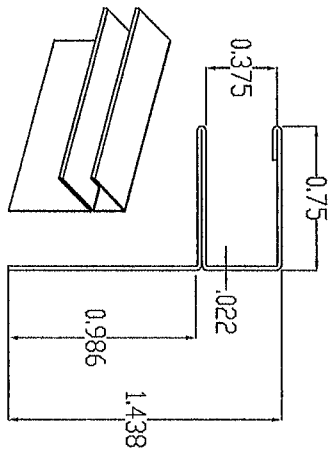
Robert J. Antonson, P.E.
Florida P.E. No. 49752

<p>KAYCAN LTD 1 MEMORIAL DRIVE RICHFORD, VT 05476</p>		<p>PROJECT #413-0204</p>	
<p>TITLE: VINYL/PVC AND ALUMINUM SOFFIT INSTALLATION SP-600 16" SOLID & VENTED SOFFIT - ALUMINUM</p>			
<p>PREPARED BY: PTC</p>	<p>DRAWN BY: RJA</p>	<p>DATE: 04/11/13</p>	
<p>PTC PRODUCT DESIGN GROUP, LLC P.O. Box 52078 Longwood, FL 32750-0718 FBPE Cert. of Auth. No. 26265</p>	<p>Phone: 321.650.1788 Fax: 321.650.1709 Email: ptc@ptc-usa.com</p>	<p>SCALE: N.T.S.</p>	<p>DRAWING NO: KAY0007</p>
<p>REV: -</p>	<p>SHEET: 9 OF 15</p>	<p>REV</p>	<p>DESCRIPTION</p>
			<p>DATE</p>
			<p>BY</p>

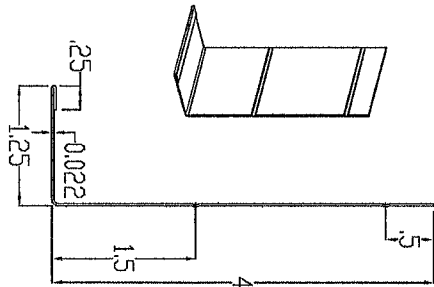


Robert L. Amoruso, P.E.
Florida P.E. No. 49752

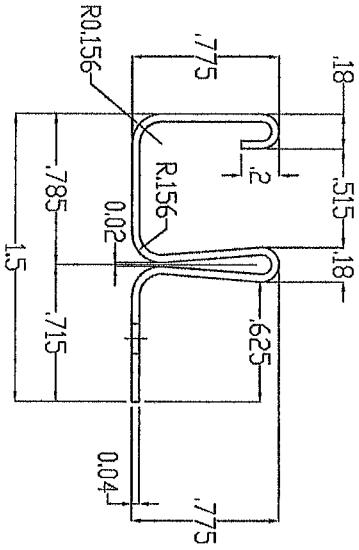
KAYCAN LTD 1 MEMORIAL DRIVE RICHFORD, VT 05476		PROJECT #413-0204	
TITLE: VINYL/PVC AND ALUMINUM SOFFIT INSTALLATION 12" 3 PANEL SOLID & VENTED SOFFIT - ALUMINUM			
PREPARED BY: 	DRAWN BY: RJA	DATE: 04/11/13	
SCALE: N.T.S.	DRAWING NO.: KAY0007		
REV: -	SHEET: 10 OF 15	REV	DESCRIPTION
		DATE	BY



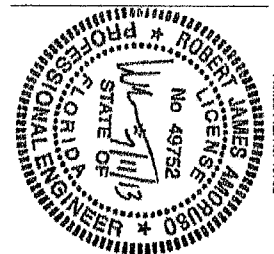
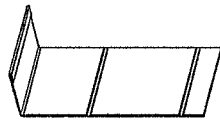
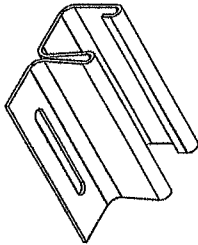
SOFFIT F-CHANNEL/TRIM
ALUMINUM




4" FASCIA SMOOTH
ALUMINUM

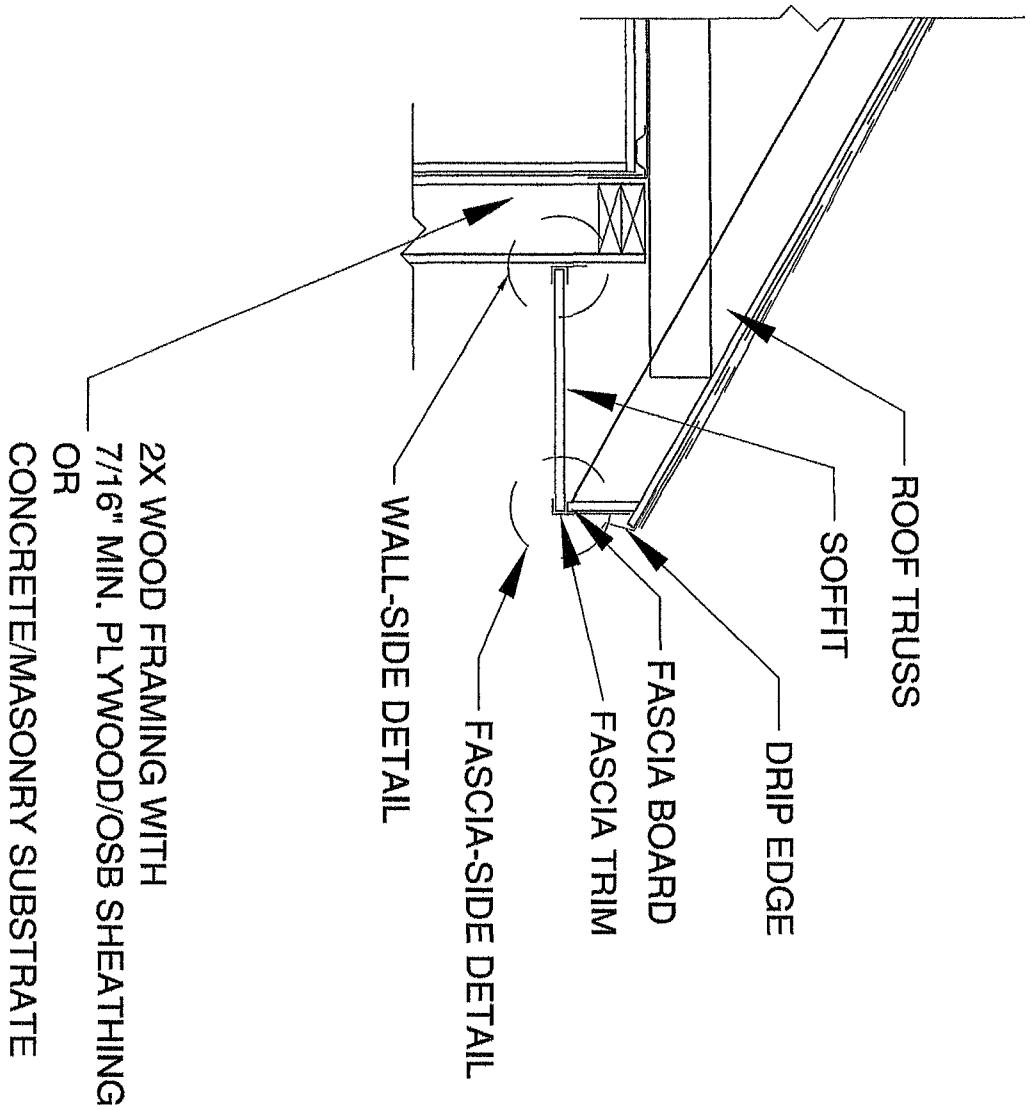


SOFFIT F-CHANNEL/TRIM
VINYL

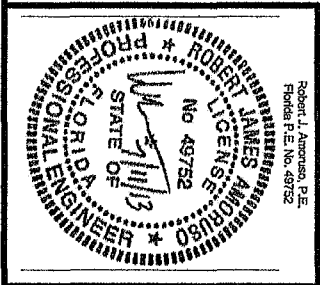


Robert J. Anderson, P.E.
Florida P.E. No. 49752

KAYCAN LTD 1 MEMORIAL DRIVE RICHFORD, VT 05476		PROJECT #413-0204	
TITLE: VINYL/PVC AND ALUMINUM SOFFIT INSTALLATION SOFFI AND FASCIA TRIM			
PREPARED BY: 	DRAWN BY: RJA	DATE: 04/11/13	
SCALE: N T.S.	DRAWING NO: KAY0007		
REV: -	SHEET: 11 OF 15	REV	DESCRIPTION DATE BY

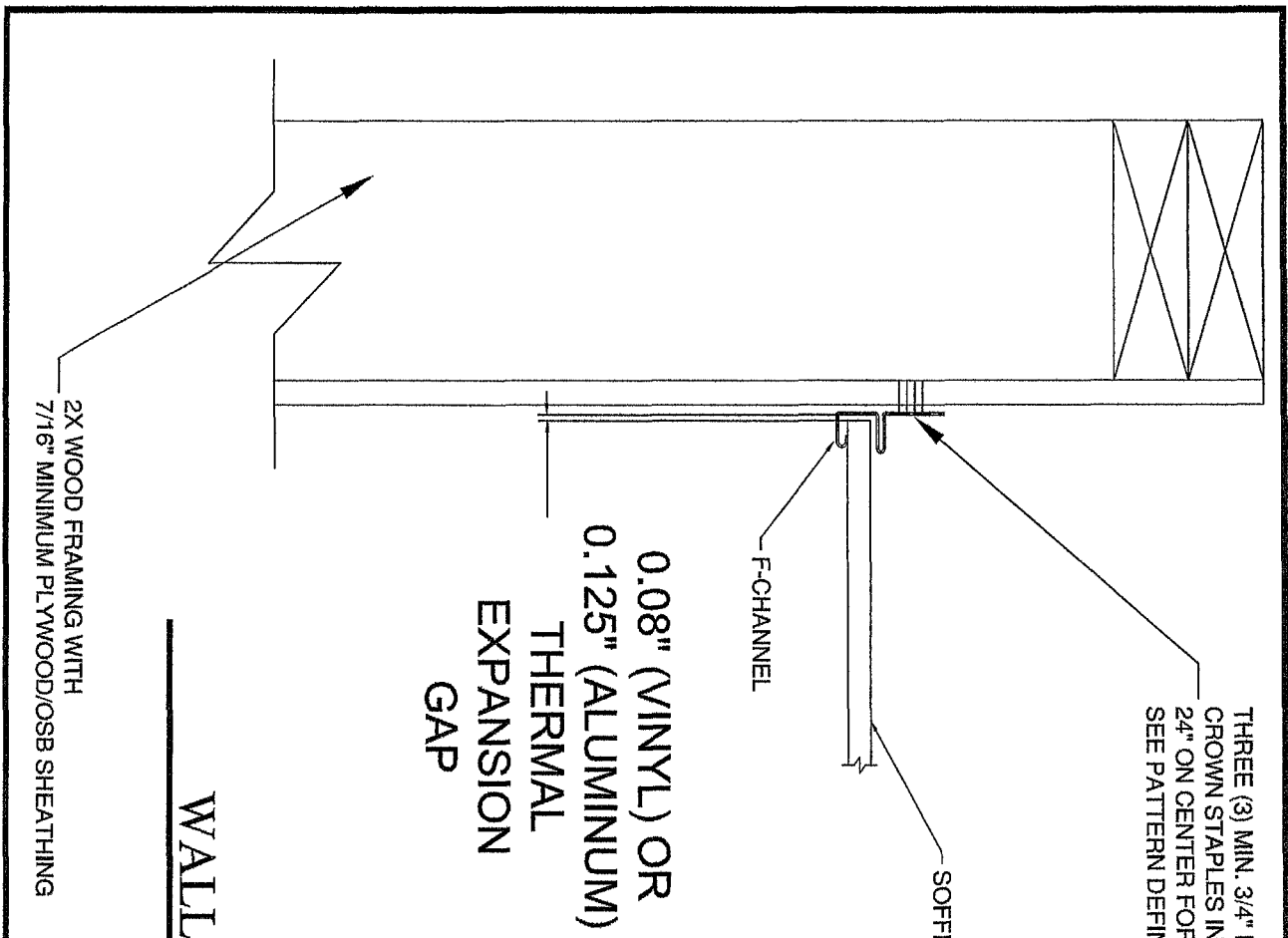


ROOF / WALL INTERFACE DETAIL
 WOOD OR MASONRY/CONCRETE SUBSTRATE



Robert J. Anderson, P.E.
 Florida P.E. No. 49752

KAYGAN LTD 1 MEMORIAL DRIVE RICHFORD, VT 05476		PROJECT #413-0204	
TITLE: VINYL/PVC AND ALUMINUM SOFFIT INSTALLATION SOFFIT INSTALLATION CROSS SECTION			
PREPARED BY: 	DRAWN BY: RJA	DATE: 04/11/13	
SCALE: N.T.S.	DRAWING NO: KAY0007	REV:	SHEET: 12 OF 15
		REV	DESCRIPTION DATE BY



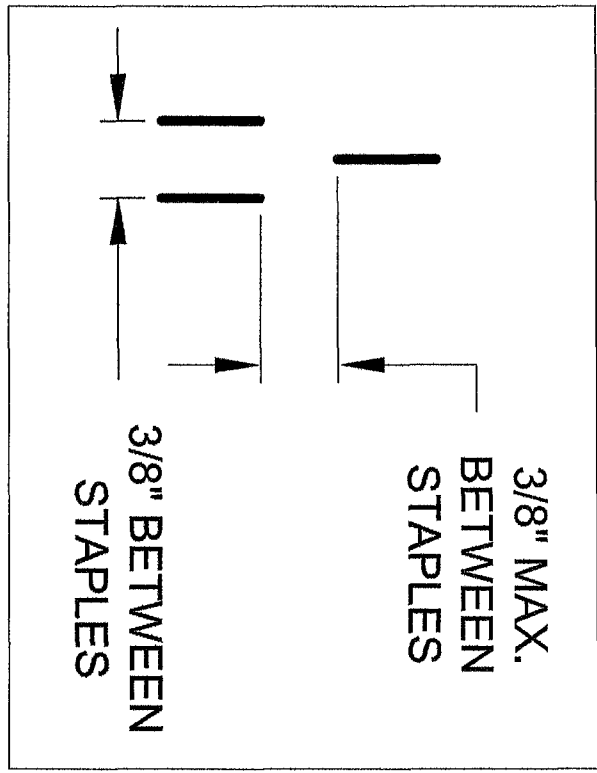
2X WOOD FRAMING WITH
7/16" MINIMUM PLYWOOD/OSB SHEATHING

F-CHANNEL

SOFFIT

0.08" (VINYL) OR
0.125" (ALUMINUM)
THERMAL
EXPANSION
GAP

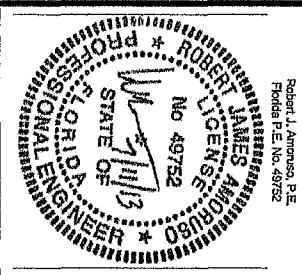
THREE (3) MIN. 3/4" LEG LENGTH X 1/4" WIDTH
CROWN STAPLES IN A TRIANGULAR PATTERN
24" ON CENTER FOR WOOD SUBSTRATE.
SEE PATTERN DEFINITION BELOW.




3/8" MAX.
BETWEEN
STAPLES

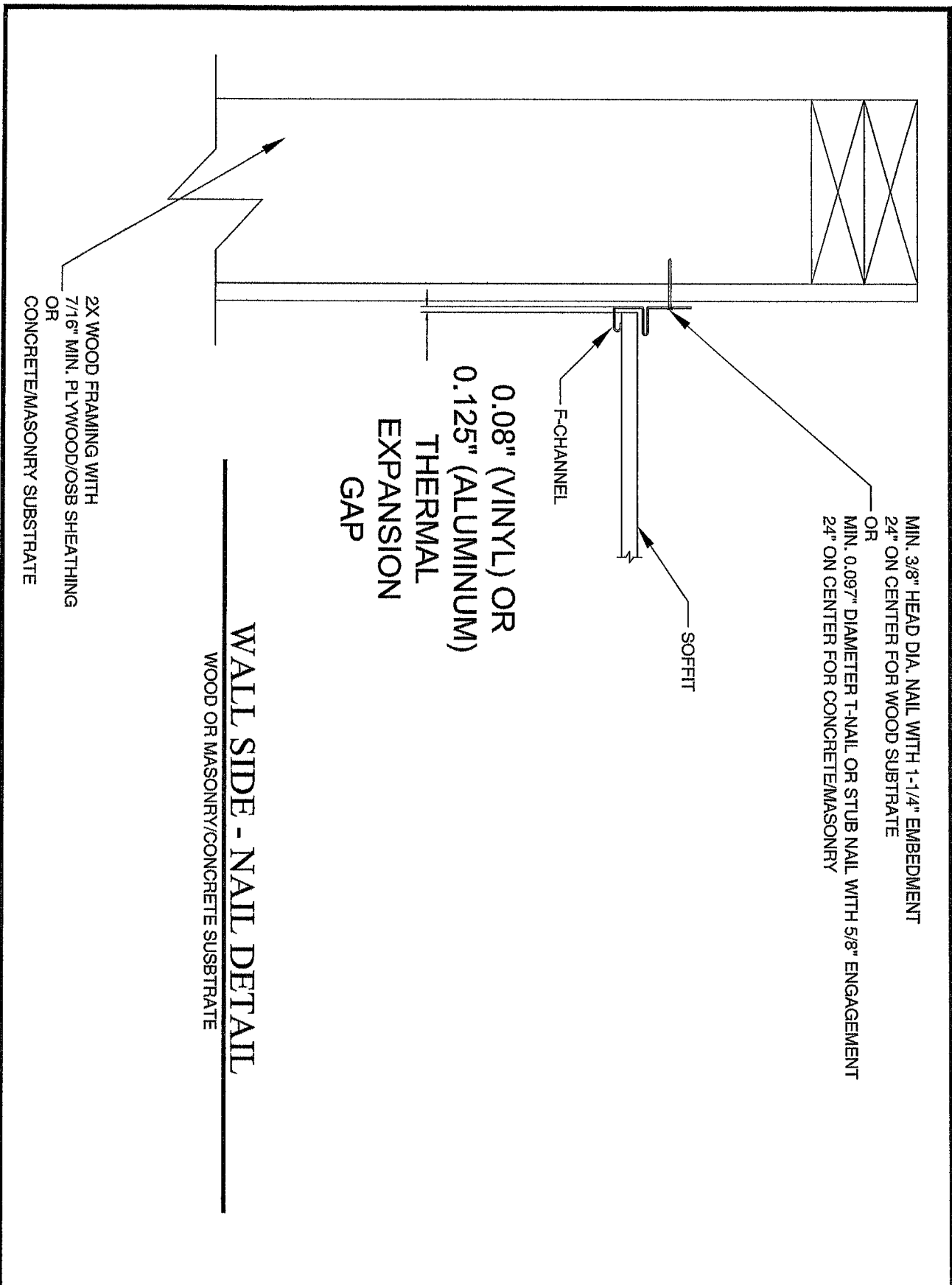
3/8" BETWEEN
STAPLES

WALL SIDE - STAPLE DETAIL
WOOD SUBSTRATE



Robert J. Anderson, P.E.
Florida P.E. No. 49752

KAYCAN LTD 1 MEMORIAL DRIVE RICHFORD, VT 05476		PROJECT #413-0204	
TITLE: VINYL/PVC AND ALUMINUM SOFFIT INSTALLATION WALL SIDE - STAPLE DETAIL			
PREPARED BY: 	DRAWN BY: RJA	DATE: 04/11/13	
SCALE: N.T.S.	DRAWING NO: KAY0007		
REV: -	SHEET: 13 OF 15	REV	DESCRIPTION DATE BY



WALL SIDE - NAIL DETAIL

WOOD OR MASONRY/CONCRETE SUBSTRATE

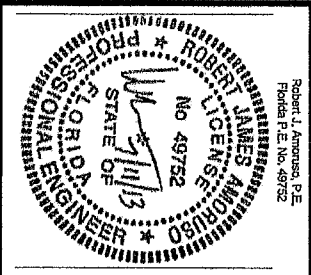
2X WOOD FRAMING WITH
7/16" MIN. PL WOOD/OSB SHEATHING
OR
CONCRETE/MASONRY SUBSTRATE

0.08" (VINYL) OR
0.125" (ALUMINUM)
THERMAL
EXPANSION
GAP

F-CHANNEL

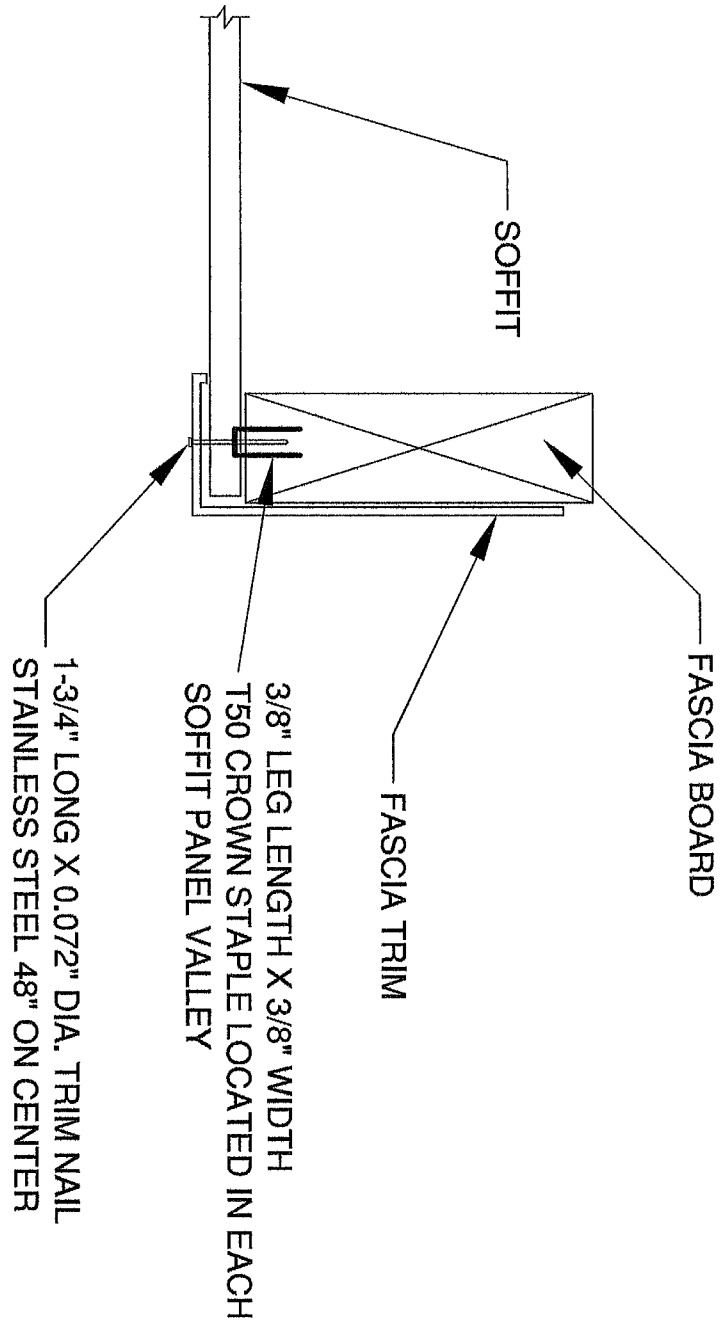
SOFFIT

MIN. 3/8" HEAD DIA. NAIL WITH 1-1/4" EMBEDMENT
24" ON CENTER FOR WOOD SUBSTRATE
OR
MIN. 0.097" DIAMETER T-NAIL OR STUB NAIL WITH 5/8" ENGAGEMENT
24" ON CENTER FOR CONCRETE/MASONRY

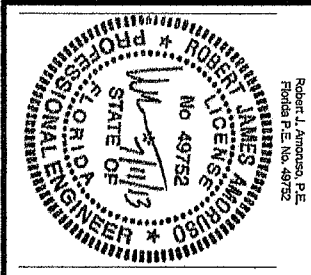


Robert J. Amoruso, P.E.
Florida P.E. No. 49752

<p>KAYCAN LTD 1 MEMORIAL DRIVE RICHFORD, VT 05476</p>		<p>PROJECT #413-0204</p>	
<p>TITLE: VINYL/PVC AND ALUMINUM SOFFIT INSTALLATION WALL SIDE - NAIL DETAIL</p>			
<p>PREPARED BY: PTC</p>	<p>DRAWN BY: RJA</p>	<p>DATE: 04/11/13</p>	
<p>SCALE: N.T.S.</p>	<p>DRAWING NO: KAY0007</p>		
<p>REV: -</p>	<p>SHEET: 14 OF 15</p>	<p>REV</p>	<p>DESCRIPTION DATE BY</p>



EAVE/FASCIA SIDE DETAIL
 WOOD OR MASONRY/CONCRETE SUBSTRATE



KAYCAN LTD 1 MEMORIAL DRIVE RICHFORD, VT 05476		PROJECT #413-0204		
TITLE: VINYL/PVC AND ALUMINUM SOFFIT INSTALLATION EAVE/FASCIA SIDE DETAIL				
PREPARED BY: PTC <small>PTC PRODUCT DESIGN GROUP, LLC P.O. Box 650776 Loganville, FL 32050-0776 FBPE Cert. of Auth. No. 22895</small>	DRAWN BY: RJA	DATE: 04/11/13	DRAWING NO: KAY0007	SHEET: 15 OF 15
SCALE: N.T.S.	REV: -	DESCRIPTION	DATE	BY



DBPR HOME | ABOUT DBPR | DBPR DIVISIONS | CONTACT DBPR



[BCIS Home](#) |
 [Log In](#) |
 [User Registration](#) |
 [Hot Topics](#) |
 [Submit Surcharge](#) |
 [Stats & Facts](#) |
 [Publications](#) |
 [FBC Staff](#) |
 [BCIS Site Map](#) |
 [Links](#) |
 [Search](#)



Product Approval
USER Public User

License efficiently. Regulate fairly. [Product Approval Menu](#) > [Product or Application Search](#) > [Application List](#) > [Application Detail](#)



FL # FL3148-R4
Application Type Revision
Code Version 2010
Application Status Approved
 *Approved by DBPR. Approvals by DBPR shall be reviewed and ratified by the POC and/or the Commission if necessary.

Comments
 Archived []

Product Manufacturer Address/Phone/Email
 CertainTeed Corporation Siding Products
 803 Belden Road
 Jackson, MI 49203
 (517) 780-3185
 nell.j.sexton@saint-gobain.com

Authorized Signature
 Neil Sexton
 nell.j.sexton@saint-gobain.com

Technical Representative Address/Phone/Email
 Neil Sexton
 803 Belden Road
 Jackson, MI 49203
 (517) 780-3185
 nell.j.sexton@saint-gobain.com

Quality Assurance Representative Address/Phone/Email
 Craig Berry
 1200 Avenue G
 White City, OR 97503
 craig.a.berry@saint-gobain.com

Category Panel Walls
Subcategory Siding

Compliance Method Certification Mark or Listing

Certification Agency Validated By
 Miami-Dade BCCO - CER
 Robert J M Nieminen, PE
 Validation Checklist - Hardcopy Received

Referenced Standard and Year (of Standard)	Standard	Year
	TAS 202	1994
	TAS 203	1994

Equivalence of Product Standards Certified By

Product Approval Method Method 1 Option A

Date Submitted 04/18/2013
Date Validated 04/18/2013
Date Pending FBC Approval
Date Approved 04/22/2013

Summary of Products		
FL #	Model, Number or Name	Description
3148.1	WeatherBoard Fiber Cement Siding	Non-asbestos fiber cement siding
Limits of Use Approved for use in HVHZ: Yes Approved for use outside HVHZ: Yes Impact Resistant: Yes Design Pressure: +N/A/-115.0 Other: 1) Refer to current NOA. 2) The design pressure in this application applies to one particular assembly, refer to current NOA for design pressures of other assemblies.		Certification Agency Certificate FL3148_R4_C_CAC_NOA_13-0212.02.pdf Quality Assurance Contract Expiration Date 04/24/2018 Installation Instructions FL3148_R4_II_NOA_13-0212.02.pdf Verified By: Miami-Dade BCCO - CER Created by Independent Third Party: Evaluation Reports Created by Independent Third Party:



[Contact Us](#) 1940 North Monroe Street, Tallahassee FL 32399 Phone: 850-487-1824

The State of Florida is an AA/EEO employer [Copyright 2007-2013 State of Florida](#), [Privacy Statement](#) [Accessibility Statement](#) [Refund Statement](#)

Under Florida law, email addresses are public records. If you do not want your e-mail address released in response to a public-records request, do not send electronic mail to this entity. Instead, contact the office by phone or by traditional mail. If you have any questions, please contact 850.487.1395. *Pursuant to Section 455.275 (1), Florida Statutes, effective October 1, 2012, licensees licensed under Chapter 455, F.S. must provide the Department with an email address if they have one. The emails provided may be used for official communication with the licensee. However email addresses are public record. If you do not wish to supply a personal address, please provide the Department with an email address which can be made available to the public. To determine if you are a licensee under Chapter 455, F.S., please click [here](#).

Product Approval Accepts:





DEPARTMENT OF REGULATORY AND ECONOMIC RESOURCES (RER)
BOARD AND CODE ADMINISTRATION DIVISION

NOTICE OF ACCEPTANCE (NOA)

MIAMI-DADE COUNTY
PRODUCT CONTROL SECTION
11805 SW 26 Street, Room 208
Miami, Florida 33175-2474
T (786) 315-2590 F (786) 315-2599
www.miamidadecounty.gov/economy

CertainTeed Corporation (MI)
803 Belden Road
Jackson, MI 49203

SCOPE:

This NOA is being issued under the applicable rules and regulations governing the use of construction materials. The documentation submitted has been reviewed and accepted by Miami-Dade County RER-Product Control Section to be used in Miami Dade County and other areas where allowed by the Authority Having Jurisdiction (AHJ).

This NOA shall not be valid after the expiration date stated below. The Miami-Dade County Product Control Section (In Miami Dade County) and/or the AHJ (in areas other than Miami Dade County) reserve the right to have this product or material tested for quality assurance purposes. If this product or material fails to perform in the accepted manner, the manufacturer will incur the expense of such testing and the AHJ may immediately revoke, modify, or suspend the use of such product or material within their jurisdiction. RER reserves the right to revoke this acceptance, if it is determined by Miami-Dade County Product Control Section that this product or material fails to meet the requirements of the applicable building code.

This product is approved as described herein, and has been designed to comply with the Florida Building Code, including the High Velocity Hurricane Zone.

DESCRIPTION: WeatherBoards Fiber Cement Siding and Soffit

APPROVAL DOCUMENT: Drawing No. 10SBC00164B0000-C through 10SBC00164B0007-C, titled: Fiber Cement Panel/Plank, Fiber Cement Random Square Shapes and Fiber Cement Soffit Installation Details Steel/Wood Stud Construction", sheets 1 through 8, prepared by CertainTeed Corporation, dated 01/24/2002, with the last revision D dated 04/01/2008, signed and sealed by Jose D. Mitrani, P.E., bearing the Miami-Dade County Product Control renewal stamp with the Notice of Acceptance number and expiration date by the Miami-Dade County Product Control Section.

MISSILE IMPACT RATING: Large and Small Missile Impact Resistant

LABELING: A permanent label with the manufacturer's name or logo, North Wilkesboro, NC, model/series and the following statements: "ASTM C 1186 Type A compliant" and "Miami-Dade County Product Control Approved" is to be located on each siding unit and per FBC 1915.9.2 and 1915.9.3 on soffit units.

RENEWAL of this NOA shall be considered after a renewal application has been filed and there has been no change in the applicable building code negatively affecting the performance of this product.

TERMINATION of this NOA will occur after the expiration date or if there has been a revision or change in the materials, use, and/or manufacture of the product or process. Misuse of this NOA as an endorsement of any product, for sales, advertising or any other purposes shall automatically terminate this NOA. Failure to comply with any section of this NOA shall be cause for termination and removal of NOA.

ADVERTISEMENT: The NOA number preceded by the words Miami-Dade County, Florida, and followed by the expiration date may be displayed in advertising literature. If any portion of the NOA is displayed, then it shall be done in its entirety.

INSPECTION: A copy of this entire NOA shall be provided to the user by the manufacturer or its distributors and shall be available for inspection at the job site at the request of the Building Official.

This NOA renews NOA # 11-1014.08 and consists of this page 1 and evidence page E-1, as well as approval document mentioned above.

The submitted documentation was reviewed by Carlos M. Utrera, P.E.



Carlos M. Utrera
03/27/2013

NOA No. 13-0212.02
Expiration Date: April 24, 2018
Approval Date: March 4, 2013
Page 1

CertainTeed Corporation

NOTICE OF ACCEPTANCE: EVIDENCE SUBMITTED

A. DRAWINGS *"Submitted under NOA # 08-0213.05"*

1. Drawing No. 10SBC00164B0000-C through 10SBC00164B0007-C, titled: Fiber Cement Panel/Plank, Fiber Cement Random Square Shapes and Fiber Cement Soffit Installation Details Steel/Wood Stud Construction", sheets 1 through 8, prepared by CertainTeed Corporation, dated 01/24/2002, with the last revision D dated 04/01/2008, signed and sealed by Jose D. Mitrani, P.E.

B. TESTS *"Submitted under NOA # 02-0503.01"*

	<u>Report</u>	<u>Test</u>	<u>Date</u>	<u>Signature</u>
1.	AT-01-42883.01	ASTM C1185	03/11/03	A. N. Reeves, P.E.
2.	RT-11168-98	ASTM C1185	02/27/02	B. I. Ogawa, P.E.
3.	HETI 01-1058	TAS 202	08/28/01	H. M. Medina, P.E.
4.	HETI 01-1021	TAS 202	06/06/01	H. M. Medina, P.E.
5.	HETI 01-1000	TAS 202	06/01/01	H. M. Medina, P.E.
6.	HETI 01-1036	TAS 203	06/22/01	H. M. Medina, P.E.
7.	HETI 01-1072	TAS 202	09/06/01	H. M. Medina, P.E.
8.	HETI 01-1035	TAS 202	06/22/01	H. M. Medina, P.E.
9.	HETI 01-1023	TAS 202	06/01/01	H. M. Medina, P.E.
10.	HETI 01-1060	TAS 202	08/28/01	H. M. Medina, P.E.
11.	HETI 01-1000	TAS 202	06/01/01	H. M. Medina, P.E.

C. CALCULATIONS *"Submitted under NOA # 08-0213.05"*

1. Anchor verification calculations and structural analysis, complying with FBC-2007, dated 04/11/2008, prepared, signed and sealed by Jose D. Mitrani, P.E.
2. Fasteners calculations prepared by Jose D. Mitrani, sheets 1 through 19, signed and sealed by Jose D. Mitrani, P.E. *"Submitted under NOA # 02-0503.01"*

D. QUALITY ASSURANCE

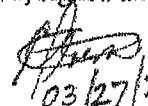
1. Miami-Dade Department of Regulatory and Economic Resources (RER)

E. MATERIAL CERTIFICATIONS

1. None.

F. STATEMENTS *"Submitted under NOA # 11-1014.08"*

1. Statement letter of code conformance to 2007 and 2010 FBC (including ASTM C1186, Type A) issued by Jose D. Mitrani, P.E., dated 12/11/2011, signed and sealed by Jose D. Mitrani, P.E.
2. No financial interest letter issued by Jose D. Mitrani, P.E., dated 04/11/2008, signed and sealed by Jose D. Mitrani, P.E. *"Submitted under NOA # 08-0213.05"*


03/27/2013

Carlos M. Utrera, P.E.
Product Control Examiner
NOA No. 13-0212.02
Expiration Date: April 24, 2018
Approval Date: March 4, 2013

SEE DETAIL A

PRODUCT REVIEWED
in compliance with the Florida
Building Code
Acceptance No. 12-0212-D2
Expiration Date 02/24/2013
By: [Signature]
Mechanical Product Control

Product Description
CertainTeed panel material is a non-asbestos fiber
Cement product tested in accordance with ASTM
C-1185 and meeting the requirements of the
Florida Building Code

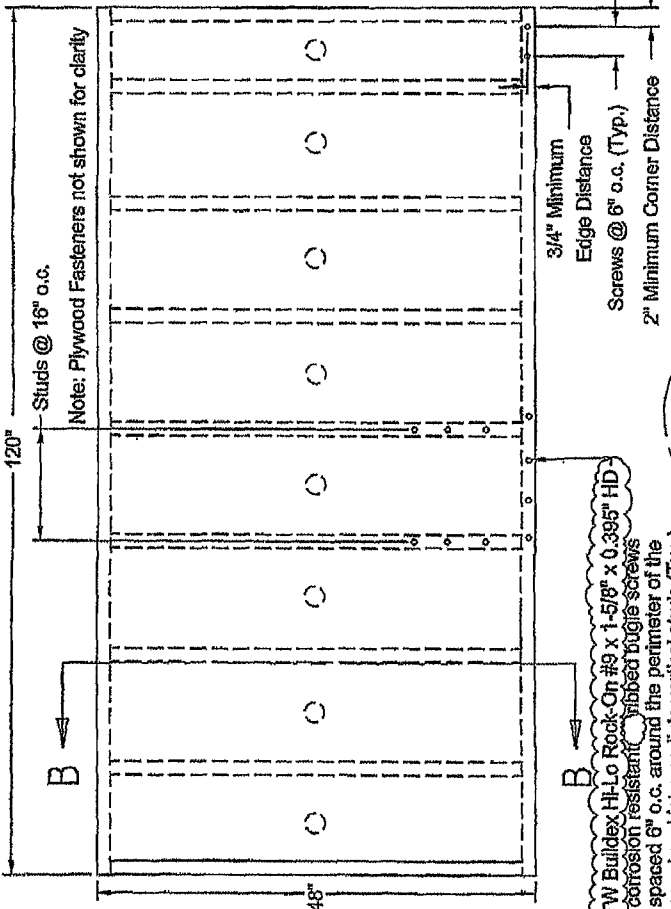
PRODUCT REVIEWED
in compliance with the Florida
Building Code
Acceptance No. 1-10-02
Expiration Date 02/24/2013
By: [Signature]
Mechanical Product Control

Panel Dimensions
Width 48"
Length 8'-9", 10"
Thickness 5/16"

Design Pressure Rating
Installation on: Design Pressure:
Steel Studs -115 PSF
Impact Resistant - Panels installed over 5/8" plywood sheathing

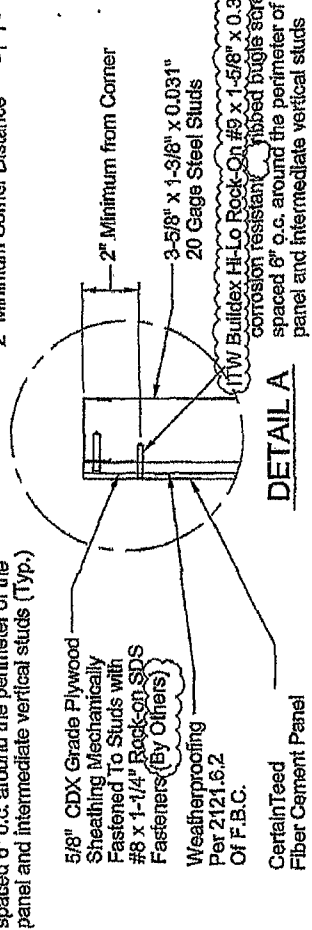
Installation Notes

- All installation shall be done in conformance with this Notice of Acceptance, the manufacturer's installation recommendations and the requirements of the Florida Building Code.
- Metal studs on to which CertainTeed Fiber Cement Panels will be installed shall be designed by a Registered Professional Engineer or Licensed Architect per the F.B.C. and the requirements of this N.O.A.
- Panels are to be installed vertically, avoiding horizontal joints, over 5/8" CDX grade APA rated plywood supported by 20 gage x 3-5/8" x 1-3/8" steel studs spaced a maximum of 16" o.c.
- CertainTeed fiber cement panels shall be fastened with (TW) Builtex Hi-Lo Rock-On #6 x 1-5/8" x 0.385" HD corrosion resistant ribbed bugle screws.
- Fasteners shall be placed 6" o.c. around the perimeter of the panel and intermediate vertical studs, driven through the plywood sheathing into the studs. All joints shall be over studs and screws shall have a minimum edge distance of 3/4" and minimum clearance of 2" from the corners



SECTION B-B

PRODUCT REVIEWED
in compliance with the Florida
Building Code
Acceptance No. 08-0212-D2
Expiration Date 02/24/2013
By: [Signature]
Mechanical Product Control



DETAIL A

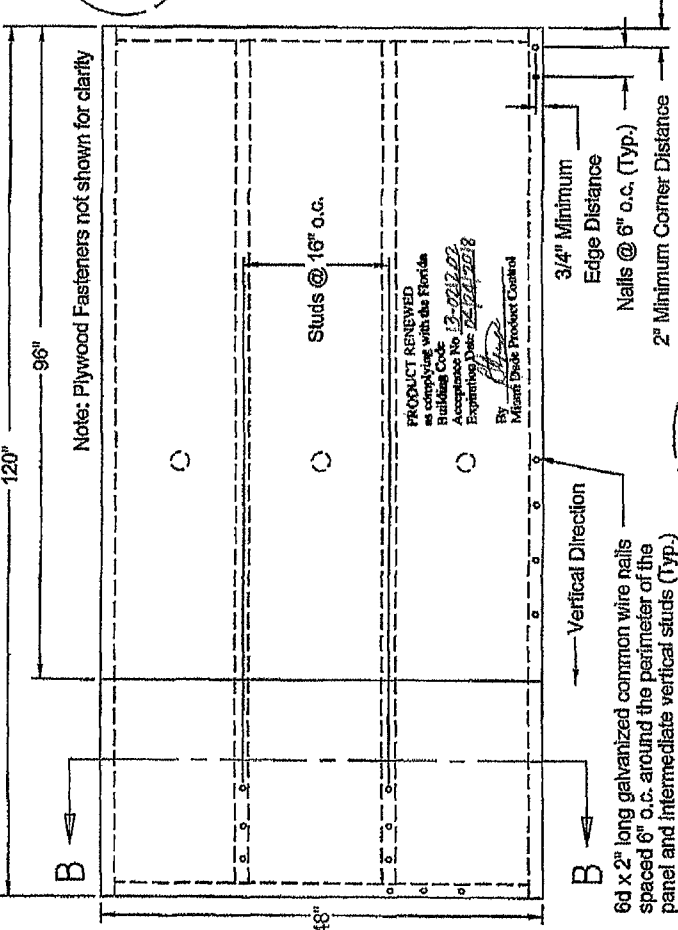
General Notes

- Wall receiving Fiber Cement Panels shall be checked for structural adequacy (By Others)
- Walls shall be weather proofed with the equivalent of 15 pound felt as described in section 2121.6.2 of the F.B.C.

REVISION	DATE	BY	DESCRIPTION
C	08/29/02	RA	BCCO 7/31/2002 REVIEW
D	04/01/08	NLS	REV 2007 FBC

CertainTeed CORROSION RESISTANT CONSTRUCTION	
TITUS FIBER CEMENT PANEL INSTALLATION DETAILS STEEL STUD CONSTRUCTION	
DATE: 01/24/02	DRAWN BY: B. SHAW
SHEET: 1 OF 8	ISSUANCE NUMBER:
SCALE: NONE	10SBCC00164B0000-C

SEE DETAIL A



Product Description
 CertainTeed panel material is a non-asbestos Fiber Cement product tested in accordance with ASTM C-1185 and meeting the requirements of the Florida Building Code

Panel Dimensions

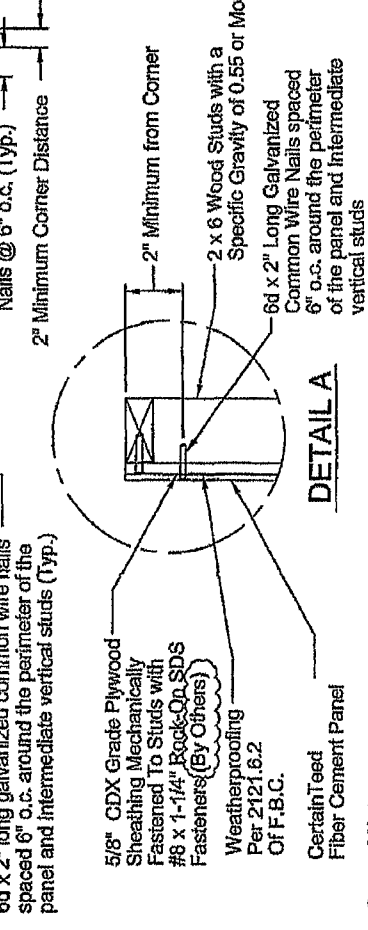
Width	48"
Length	8', 9', 10'
Thickness	5/16"

Design Pressure Rating
 Installation on: **(75 PSF)**
 Wood Studs
 Impact Resistant - Panels installed over 5/8" plywood sheathing

Installation Notes

- All installation shall be done in conformance with this Notice of Acceptance, the manufacturer's installation recommendations and the requirements of the Florida Building Code.
- Wood studs on to which CertainTeed Fiber Cement Panels will be installed shall be designed by a Registered Professional Engineer or Licensed Architect per the F.B.C. and the requirements of this N.O.A.
- Panel joints, over 5/8" CDX grade APA rated plywood supported by 2 x 6 wood studs with a specific gravity of 0.55 or more spaced a maximum of 16" o.c.
- CertainTeed Fiber Cement Panels shall be fastened with 6d x 2" long galvanized common wire nails.
- Fasteners shall be placed 6" o.c. around the perimeter of the panel and intermediate vertical studs, driven through the plywood sheathing into the studs. All joints shall be over studs and nails shall have a minimum edge distance of 3/4" and minimum clearance of 2" from the corners.

SECTION B-B



DETAIL A

General Notes

- Wall receiving Fiber Cement Panels shall be checked for structural adequacy (By Others)
- Walls shall be weather proofed with the equivalent of 15 pound felt as described in section 2121.6.2 of the F.B.C.

PRODUCT RENEWED
 as complying with the Florida Building Code
 Acceptance No. **13-2112-02**
 Expiration Date: **12/31/2018**
 By: *[Signature]*
 Miami Trade Product Control

PRODUCT RENEWED
 as complying with the Florida Building Code
 Acceptance No. **23-0112-05**
 Expiration Date: **12/31/2025**
 By: *[Signature]*
 Miami Trade Product Control
 Division

REVISION	DATE	BY	DESCRIPTION
C	08/29/02	RA	BCCO 7/81/2002 REVIEW
D	04/01/08	NJS	Rev. 2007 FBC

CertainTeed FIBER CEMENT PANELS		2010 Florida Code Technology Center 500 Biscayne Blvd Miami, Florida 33133 Tel: 305.371.1000
TITLE: FIBER CEMENT PANEL INSTALLATION DETAILS		
DATE: 01/24/02	DRAWN BY: B. SHAW	
SHEET: 2 OF 8	DRAWING NUMBER:	
SCALE: NONE		10SBC00164B0001-C

[Handwritten Signature]

Product Description

CertainTeed plank material is a non-asbestos fiber cement product tested in accordance with ASTM C-1185 and meeting the requirements of the Florida Building Code.

Plank Dimensions
 Width: 12"
 Length: 5/16"
 Thickness: 5/16"

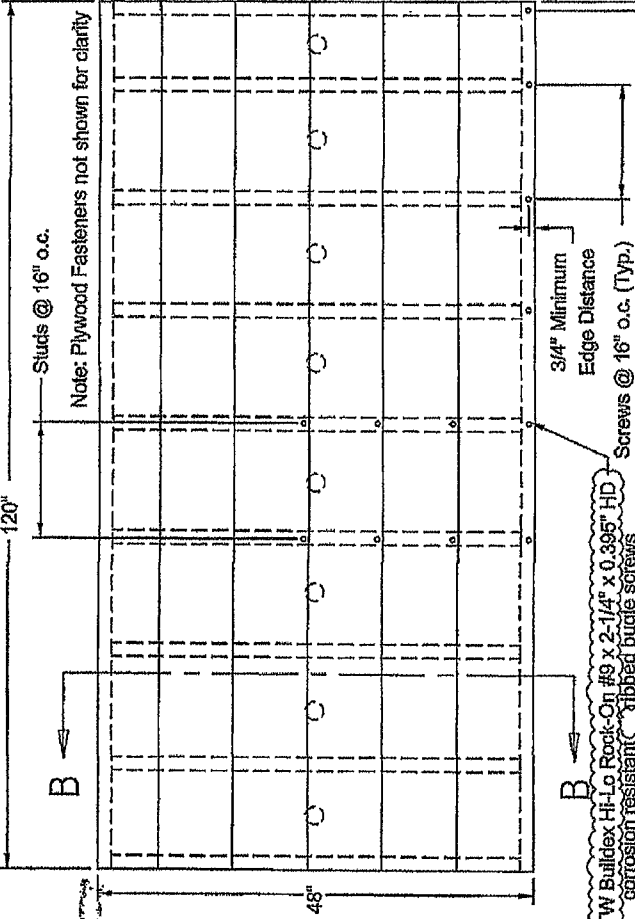
PRODUCT RENEWED
 as complying with the Florida Building Code
 Acceptance No. 11-1714-08
 Expiration Date 12/31/2012
 By: [Signature]
 Miami Fibers Product Control

Design Pressure Rating
 Installation: Design Pressure:
 Steel Studs: -92 PSF
 Impact Resistant - Planks installed over 5/8" plywood sheathing

Installation Notes

- All installation shall be done in conformance with this Notice of Acceptance, the manufacturer's installation recommendations and the requirements of the Florida Building Code.
- Metal studs on to which CertainTeed Fiber Cement Planks will be installed shall be designed by a Registered Professional Engineer or Licensed Architect per the F.B.C. and the requirements of this N.O.A.
- Planks are to be installed horizontally commencing from the bottom course of a wall with 1-1/4" wide laps at the top of the plank. The vertical joints must be over framing members. Optional PVC butt joint inserts are used for on-stud jointing. Planks are to be installed over 5/8" CDX grade APA rated plywood supported by 20 gage x 3-5/8" x 1-3/8" steel studs spaced a maximum of 16" o.c.
- CertainTeed fiber cement planks shall be fastened through the overlapping planks with (TW Buildex Hi-Lo Rock-On) fibered bugle screws. (#9 x 2-1/4" x 0.395" HD corrosion-resistant fibered bugle screws). The fasteners shall be placed in the overlapping area $\leq 8"$ o.c. vertically and 16" o.c. horizontally through the plywood sheathing into the studs. Screws shall have a minimum edge distance of 3/4".

SEE DETAIL A



PRODUCT RENEWED
 as complying with the Florida Building Code
 Acceptance No. 13-1714-02
 Expiration Date 12/31/2012
 By: [Signature]
 Miami Fibers Product Control

PRODUCT RENEWED
 as complying with the Florida Building Code
 Acceptance No. 12-2121-05
 Expiration Date 12/31/2012
 By: [Signature]
 Miami Fibers Product Control

DETAIL A
 TW Buildex Hi-Lo Rock-On #9 x 2-1/4" x 0.395" HD corrosion-resistant fibered bugle screws fastened in the overlapping area $< 8"$ o.c. vertically and 16" o.c. through the plywood sheathing into the studs

General Notes

- Wall receiving Fiber Cement Planks shall be checked for structural adequacy (By Others)
- Walls shall be weather proofed with the equivalent of 15 pound felt as described in section 2121.6.2 of the F.B.C.

REVISION	DATE	BY	DESCRIPTION
C	08/29/02	RA	BCCO 7/31/2002 REVIEW
D	04/01/08	NJS	REV. 2007 FBC
CertainTeed FIBER CEMENT PLANK INSTALLATION			
TITLE: FIBER CEMENT PLANK INSTALLATION DETAILS			
STEEL STUD CONSTRUCTION			
DATE	01/24/02	DRAWN BY:	B. SHAW
SHEET	3 OF 8	DRAWING NUMBER	10SBCC00164B0002-C
SCALE	NONE		

[Handwritten Signature]

SEE DETAIL A

Product Description
 CertainTeed plank material is a non-asbestos fiber Cement product tested in accordance with ASTM C-1185 and meeting the requirements of the Florida Building Code.

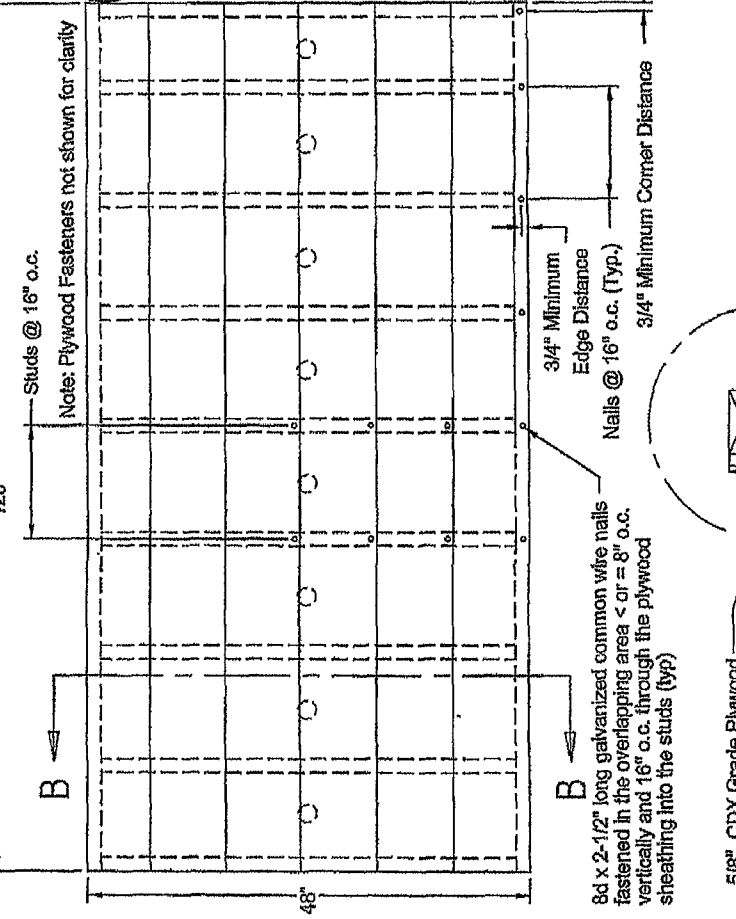
Plank Dimensions
 Width: $\leq 9'-1/2"$ Length: 12' Thickness: $5/16"$

Design Pressure Rating
 Installation: Design Pressure: (-31)PSF
 Wood Studs Impact Resistant - Planks installed over $5/8"$ plywood sheathing

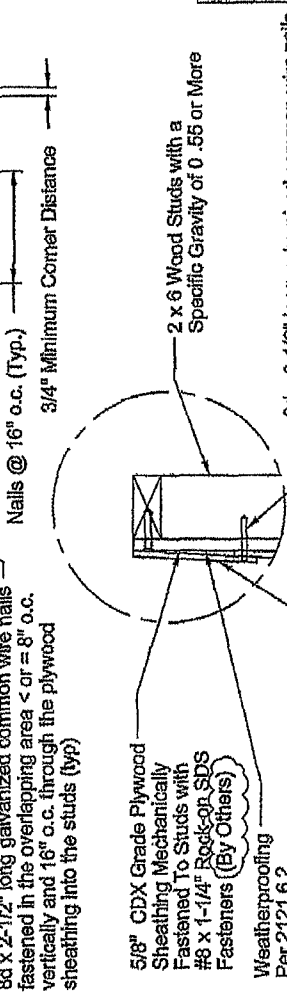
Installation Notes
 1. All installation shall be done in conformance with this Notice of Acceptance, the manufacturer's installation recommendations and the requirements of the Florida Building Code.
 2. Wood studs on to which CertainTeed Fiber Cement Planks will be installed shall be designed by a Registered Professional Engineer or Licensed Architect per the F.B.C. and the requirements of this N.O.A.
 3. Planks are to be installed horizontally commencing from the bottom course of a wall with 1-1/4" wide laps at the top of the plank. The vertical joints must be over framing members.
 4. Optional PVC butt joint inserts are used for on-stud jointing. Planks are to be installed over $5/8"$ CDX grade APA rated plywood supported by 2 x 6 Wood studs with a specific gravity of 0.55 or more spaced a maximum of 16" o.c.
 5. CertainTeed fiber cement planks shall be fastened through the overlapping planks with 8d x 2-1/2" long galvanized common wire nails.
 6. The fasteners shall be placed in the overlapping area $\leq 8"$ o.c. vertically and 16" o.c. horizontally through the plywood sheathing into the studs. Screws shall have a minimum edge distance of 3/4"

PRODUCT REVIEWED
 in compliance with the Florida Building Code
 Acceptance No. 13-0217-02
 Expiration Date 12/31/2013
 By: *[Signature]*
 Miami Trade Product Control

PRODUCT REVIEWED
 in compliance with the Florida Building Code
 Acceptance No. 13-0213-05
 Expiration Date 12/31/2013
 By: *[Signature]*
 Miami Trade Product Control



SECTION B-B



DETAIL A
 8d x 2-1/2" long galvanized common wire nails fastened in the overlapping area < or = 8" o.c. vertically and 16" o.c. through the plywood sheathing into the studs (typ)

General Notes
 1. Wall receiving Fiber Cement Planks shall be checked for structural adequacy (By Others)
 2. Walls shall be weather proofed with the equivalent of 15 pound felt as described in section 2121.6.2 of the F.B.C.

REVISION	DATE	BY	DESCRIPTION
C	10/29/02	RA	BCCO 7/31/2002 REVIEW
D	04/01/08	NJS	Rev. 2007 FBC

CertainTeed
 8000 CERTAINTEED CORPORATION

THE FIBER CEMENT PLANK INSTALLATION DETAILS
 WOOD STUD CONSTRUCTION

DATE: 01/24/02 DRAWN BY: B. SHAW
 SHEET: 4 OF 8 FORWARD NUMBER: 10SBCC00164B0003-C
 SCALE: NONE

[Handwritten Signature]

SEE DETAIL A

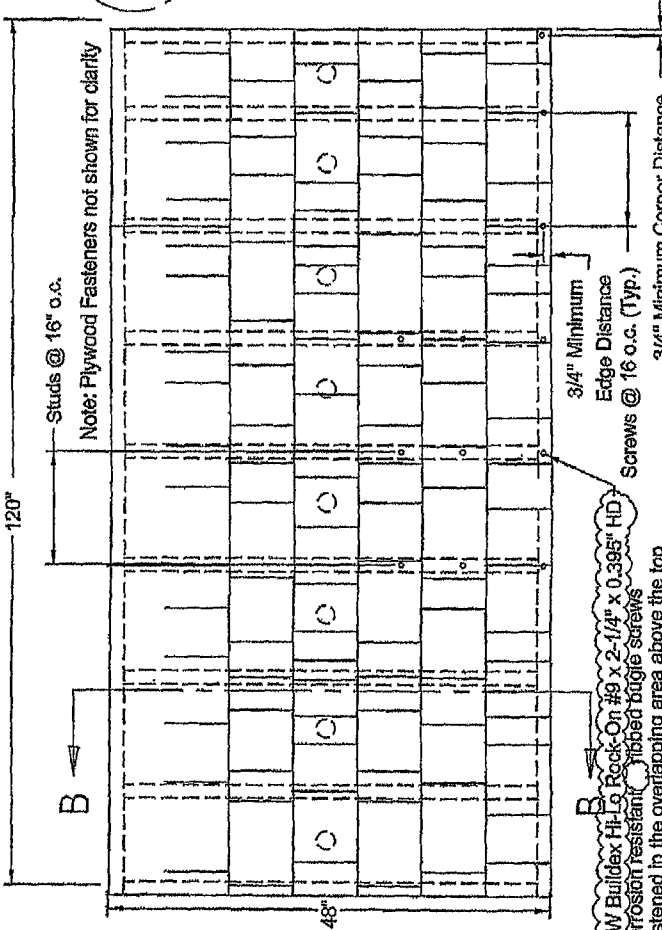
PRODUCT REVIEWED
in compliance with the Florida
Building Code
Acceptance No. 13-0712-07
Expiration Date 02/28/2013
By: *[Signature]*
Miami Trade Product Control

5/8" CDX Grade
Plywood Sheathing
Mechanically Fastened
To Studs

Weatherproofing
Per 2121.6.2
Of F.B.C.

20 Gauge
Steel Studs

CertainTeed Fiber
Cement Random
Square Shapes



SECTION B-B

PRODUCT REVIEWED
in compliance with the Florida
Building Code
Acceptance No. 09-0212-05
Expiration Date 02/28/2013
By: *[Signature]*
Miami Trade Product Control
Division

Joe P. Nreca P.E.
Professional Engineer
Miami, Florida 33108
Exp. Reg. 12/31/2018

[Handwritten Signature]

Product Description:
CertainTeed random square material is a non-asbestos Fiber
Cement product tested in accordance with ASTM
C-7185 and meeting the requirements of the
Florida Building Code.

Plank Dimensions:
Width: 16"
Length: 4'
Thickness: 5/16"

Design Pressure Rating:
Installation on: Design Pressure:
Steel Studs -95 PSF
Impact Resistant - Planks installed over 5/8" plywood sheathing

Installation Notes

- All installation shall be done in conformance with this Notice of Acceptance, the manufacturer's installation recommendations and the requirements of the Florida Building Code.
- Metals studs on to which CertainTeed Fiber Cement Random Square Shapes will be installed shall be designed by a Registered Professional Engineer or Licensed Architect per the F.B.C. and the requirements of this N.O.A.
- Random Square Shapes are to be installed horizontally commencing from the bottom course of a wall. The vertical joints must be over framing members. Overlap dimension is 9" Random Square Shapes are to be installed over 5/8" CDX grade APA rated plywood supported by 20 gauge x 3-5/8" x 1-3/8" steel studs spaced a maximum of 16" o.c.
- CertainTeed Fiber Cement Random Shapes shall be fastened through the overlapping planks with (TW) Buildex Hi-Lo Rock-On #9 x 2-1/4" x 0.395" HD corrosion resistant ribbed bugle screws. The fasteners shall be placed in the overlapping area above the top of the keyway and 16" o.c. horizontally through the plywood sheathing into the studs. Screws shall have a minimum edge distance of 3/4". Vertical spacing not to exceed 8" o.c.

REVISION	DATE	BY	DESCRIPTION
C	08/29/02	RA	BCCO 7131/2002 REVIEW
D	04/01/08	NIS	Rev. 2007 FBC

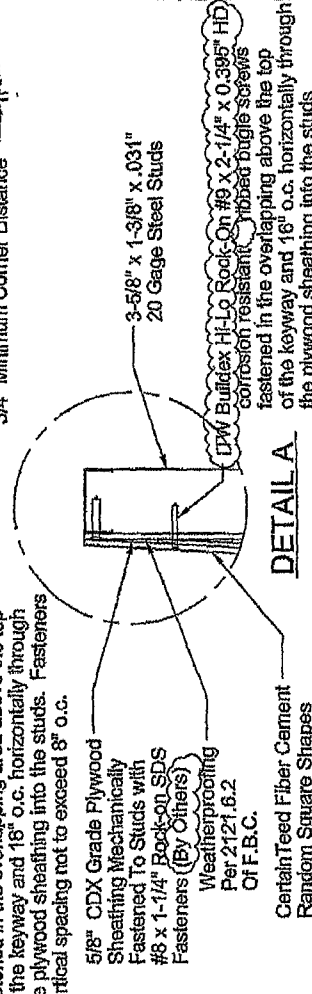
CertainTeed
A CertainTeed Corporation

5/8" Fiberglass Core
Non-Asbestos Fiber
Cement Random
Square Shapes

TYPE: FIBER CEMENT RANDOM SQUARE SHAPES INSTALLATION
DETAILS: STEEL STUD CONSTRUCTION

DATE: 01/24/02
SHEET: 5 OF 8
DRAWING NUMBER: 10SBCC00164B0004-C

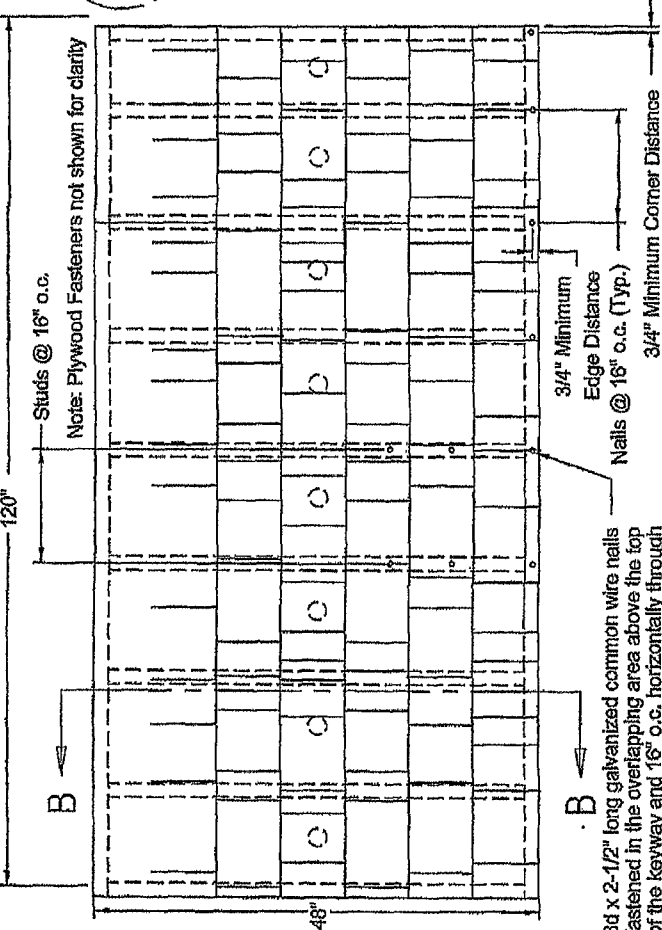
DETAIL A



General Notes

- Wall receiving Fiber Cement Random Square Shapes shall be checked for structural adequacy (By Others)
- Walls shall be weather proofed with the equivalent of 15 pound felt as described in section 2121.6.2 of the F.B.C.

SEE DETAIL A



Product Description
 CertainTeed random square material is a non-asbestos Fiber Cement product tested in accordance with ASTM C-1185 and meeting the requirements of the Florida Building Code.

Plank Dimensions
 Width 16" Length 4' Thickness 5/16"

Design Pressure Rating
 Installation on: Design Pressure: Wood Studs (80) PSF
 Impact Resistant - Planks installed over 5/8" plywood sheathing

Installation Notes

- All installation shall be done in conformance with this Notice of Acceptance, the manufacturer's installation recommendations and the requirements of the Florida Building Code.
- Wood studs on to which CertainTeed Fiber Cement Random Square Shapes will be installed shall be designed by a Registered Professional Engineer or Licensed Architect per the F.B.C. and the requirements of this N.O.A.
- Random Square Shapes are to be installed horizontally commencing from the bottom course of a wall. The vertical joints must be over framing members. Overall dimension is 9".
- Random Square Shapes are to be installed over 5/8" CDX grade APA rated plywood supported by 2 x 6 wood studs with a specific gravity of 0.55 or more spaced a maximum of 16" o.c.
- Random Square Shapes shall be fastened through the overlapping planks with 8d x 2-1/2" galvanized common wire nails.
- The fasteners shall be placed in the overlapping area above the top of the keyway and 16" o.c. horizontally through the plywood sheathing into the studs. Screws shall have a minimum edge distance of 3/4". Vertical spacing not to exceed 8" o.c.

PRODUCT REVISED
 as complying with the Florida Building Code
 Acceptance No. 13-0712-02
 Expiration Date: 12/31/2013
 By: Miami Trade Product Control

5/8" CDX Grade Plywood Sheathing Mechanically Fastened To Studs

Weatherproofing Per 2121.6.2 Of F.B.C.

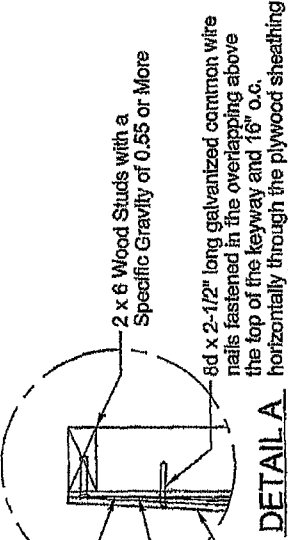
2 x 6 Wood Studs
 CertainTeed Fiber Cement Random Square Shapes

SECTION B-B

PRODUCT REVISED
 as complying with the Florida Building Code
 Acceptance No. 13-0712-02
 Expiration Date: 12/31/2013
 By: Miami Trade Product Control

Joe D. Williams
 1034 S.W. 203 Street
 Miami, Florida 33135
 P.E. No. 14767

[Handwritten Signature]



DETAIL A

General Notes

- Wall receiving Fiber Cement Random Square Shapes shall be checked for structural adequacy (By Others)
- Walls shall be weather proofed with the equivalent of 15 pound felt as described in section 2121.6.2 of the F.B.C.

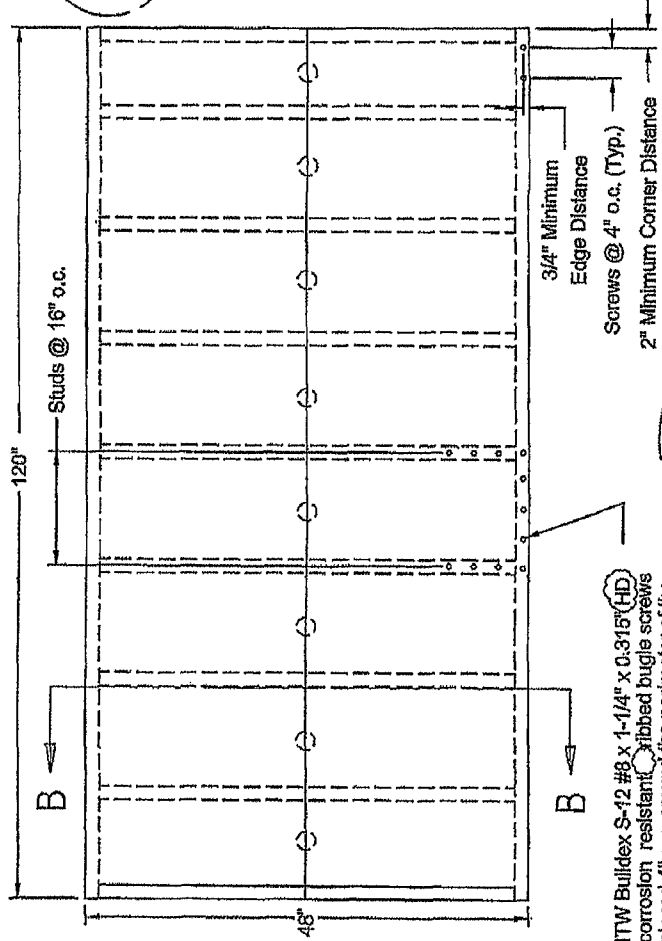
REVISION	DATE	BY	DESCRIPTION
C	08/28/02	RA	BCCO 7/8-1/2002 REVIEW
D	04/01/08	NJS	Rev. 2007 FBC

CertainTeed
 2002 CERTAINTeed CORPORATION

Solar Products Group
 Technology Center
 Jackson, Michigan 48203

TITLE: FIBER CEMENT RANDOM SQUARE SHAPES INSTALLATION
 DETAILS: WOOD STUD CONSTRUCTION
 DATE: 01/24/02
 SHEET: 6 OF 8
 DRAWING NUMBER: 10SBC00164B0005-C
 DRAWN BY: B. SHAW

SEE DETAIL A



Product Description
 CertainTeed Soffit material is a non-asbestos fiber cement product tested in accordance with ASTM C-1185 and meeting the requirements of the Florida Building Code

Soffit Dimensions
 Width: 5'2 1/2"
 Length: 12'
 Thickness: 5/16"

Design Pressure Rating
 Installation in: Design Pressure:
 Steel Studs: -70 PSF

PRODUCT RENEWED
 as complying with the Florida Building Code
 Acceptance No. 13-012-02
 Expiration Date: 12/31/2013
 By: [Signature]
 Miami/Dade Product Control

PRODUCT RENEWED
 as complying with the Florida Building Code
 Acceptance No. 11-101-08
 Expiration Date: 12/31/2013
 By: [Signature]
 Miami/Dade Product Control

- Installation Notes**
- All installation shall be done in conformance with this Notice of Acceptance, the manufacturer's installation recommendations and the requirements of the Florida Building Code.
 - Metal studs on to which CertainTeed Fiber Cement Soffit will be installed shall be designed by a Registered Professional Engineer or Licensed Architect per the F.B.C. and the requirements of this N.O.A.
 - Soffits are to be installed over 20 gage x 3-5/8" x 1-3/8" steel studs spaced a maximum of 16" o.c.
 - CertainTeed Fiber Cement Soffit shall be fastened with ITW Bulldex S-12 #8 x 1-1/4" x 0.315" (HD) corrosion resistant bugle screws.
 - Fasteners shall be placed 4" o.c. around the perimeter of the panel and intermediate wall. All joints shall be over studs, screws shall have a minimum edge distance of 3/4" and minimum clearance of 2" from the corners.

SECTION B-B

PRODUCT RENEWED
 as complying with the Florida Building Code
 Acceptance No. 08-0213-05
 Expiration Date: 12/31/2013
 By: [Signature]
 Miami/Dade Product Control

ITW Bulldex S-12 #8 x 1-1/4" x 0.315" (HD) corrosion resistant bugle screws placed 4" o.c. around the perimeter of the soffit and intermediate wall.

DETAIL A

CertainTeed Fiber Cement Soffit

3-5/8" x 1-3/8" x .031" 20 Gage Steel Studs

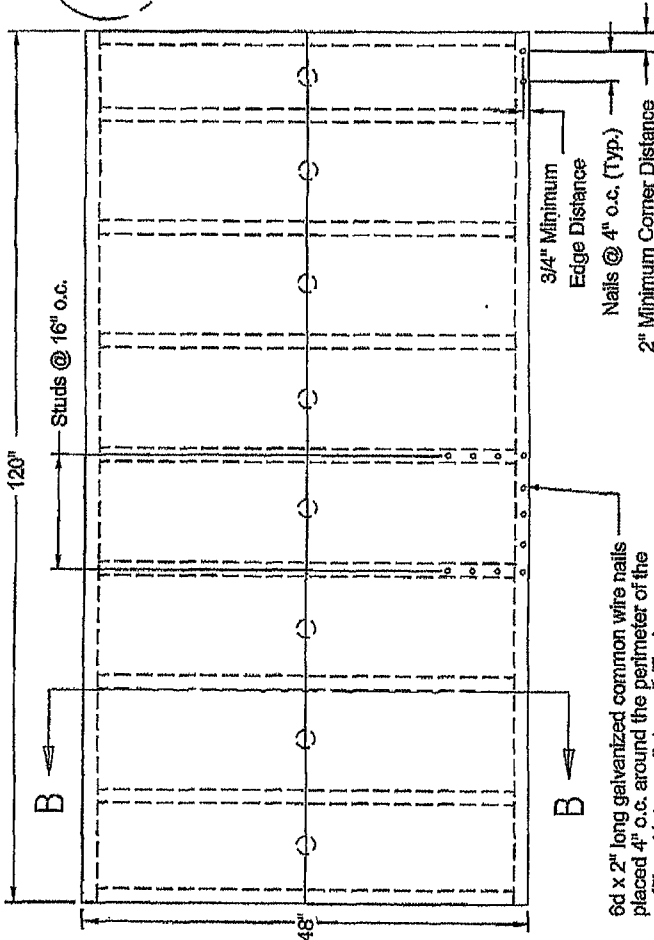
REVISION	DATE	BY	DESCRIPTION
C	08/29/02	RA	BCCO 7831/2002 REVIEW
D	04/07/08	NJS	Rev. 2007 FBC

CertainTeed FORMS CORPORATION		5000 W. Sunrise 200 Sunrise Park Jensen, FL 32058
TITLE: FIBER CEMENT SOFFIT INSTALLATION DETAILS		
STEEL STUD CONSTRUCTION		
DATE: 01/24/02	DRAWN BY: B. SHAW	
SHEET: 7 OF 8	CONTRACT NUMBER:	
SCALE: NONE		10SBCC00164B0006-C

General Notes

- Studs receiving Fiber Cement Soffit shall be checked for structural adequacy (By Others)

SEE DETAIL A



Product Description
 CertainTeed Soffit material is a non-asbestos fiber cement product tested in accordance with ASTM C-1185 and meeting the requirements of the Florida Building Code

Soffit Dimensions
 Width: $\leq 24"$
 Length: 12'
 Thickness: 5/16"

Design Pressure Rating
 Installation on: Wood Studs
 Design Pressure: -70 PSF

PRODUCT REVIEWED as complying with the Florida Building Code Acceptance No. 11-1014-02
 By: Michael D. Ferguson, P.E.
 Material Grade Product Control

PRODUCT REVIEWED as complying with the Florida Building Code Acceptance No. 12-0212-02
 By: Michael D. Ferguson, P.E.
 Material Grade Product Control

Installation Notes

- All installation shall be done in conformance with this Notice of Acceptance, the manufacturer's installation recommendations and the requirements of the Florida Building Code.
- Wood studs on to which CertainTeed Fiber Cement Soffit will be installed shall be designed by a Registered Professional Engineer or Licensed Architect per the F.B.C. and the requirements of this N.O.A.
- Soffits are to be installed over 2 x 6 wood studs with a specific gravity of 0.55 or more spaced a maximum of 16" o.c.
- CertainTeed Fiber Cement Soffit shall be fastened with 6d x 2" long galvanized common wire nails.
- Fasteners shall be placed 4" o.c. around the perimeter of the panel and intermediate wall. All joints shall be over studs, screws shall have a minimum edge distance of 3/4" and minimum clearance of 2" from the corners.

SECTION B-B

PRODUCT REVIEWED as complying with the Florida Building Code Acceptance No. 02-0212-05
 By: Michael D. Ferguson, P.E.
 Material Grade Product Control

CertainTeed Fiber Cement Soffit

2 x 6 Wood Studs with a Specific Gravity of 0.55 or More

DETAIL A

General Notes

- Studs receiving Fiber Cement Soffit shall be checked for structural adequacy (By Others)

Michael D. Ferguson, P.E.
 Fiber Cement Soffit
 Florida Building Code
 Acceptance No. 11-1014-02

Michael D. Ferguson

REVISION	DATE	BY	DESCRIPTION
C	08/29/02	RA	BCCO 7/31/2002 REVIEW
D	10/01/08	NJS	Rev. 2007 FBC

CertainTeed
 CERTAINTEED CORPORATION

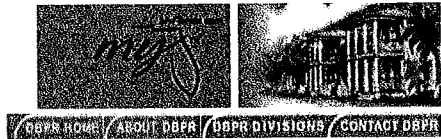
Siding Products Group
 10000 North Central
 Jacksonville, Florida 32216-1203

TITLE: FIBER CEMENT SOFFIT INSTALLATION DETAILS
 WOOD STUD CONSTRUCTION

DATE: 01/24/02
 DRAWN BY: B. SHAW

SHEET: 8 OF 8
 DRAWING NUMBER: 10SBC00164B0007-C

SCALE: NONE



Florida Department of
Business & Professional
Regulation

[BCIS Home](#) |
 [Log In](#) |
 [User Registration](#) |
 [Hot Topics](#) |
 [Submit Surcharge](#) |
 [Stats & Facts](#) |
 [Publications](#) |
 [FBC Staff](#) |
 [BCIS Site Map](#) |
 [Links](#) |
 [Search](#)



License efficiently. Regulate fairly.



[Product Approval Menu](#) >
 [Product or Application Search](#) >
 [Application List](#) >
 Application Detail

FL #	FL12716-R2
Application Type	Revision
Code Version	2010
Application Status	Approved
Comments	*Approved by DBPR. Approvals by DBPR shall be reviewed and ratified by the POC and/or the Commission if necessary.
Archived	[]
Product Manufacturer	Magnolia Window & Door
Address/Phone/Email	420 Industrial Boulevard Baldwin, GA 30511 (706) 778-1200 landerson@magnoliawindow.com
Authorized Signature	Luis Lomas rlomas@lrlomaspe.com
Technical Representative	
Address/Phone/Email	
Quality Assurance Representative	
Address/Phone/Email	
Category	Windows
Subcategory	Single Hung
Compliance Method	Certification Mark or Listing
Certification Agency	Keystone Certifications, Inc
Validated By	Keystone Certifications, Inc.
Referenced Standard and Year (of Standard)	Standard AAMA/WDMA/CSA 101/IS2/A440
	Year 2005
Equivalence of Product Standards	
Certified By	
Product Approval Method	Method 1 Option A
Date Submitted	06/06/2013
Date Validated	06/10/2013
Date Pending FBC Approval	
Date Approved	06/12/2013

Summary of Products		
FL #	Model, Number or Name	Description
12716 1	SH300 SINGLE HUNG	SH 300 PVC SINGLE HUNG - 48x72

Limits of Use Approved for use in HVHZ: No Approved for use outside HVHZ: Yes Impact Resistant: No Design Pressure: +25/-25 Other: PRODUCTS MUST BE GLAZED IN ACCORDANCE WITH ASTM E1300-04	Certification Agency Certificate FL12716_R2_C_CAC_168-122.pdf Quality Assurance Contract Expiration Date 03/11/2015 Installation Instructions FL12716_R2_H_08-00743.pdf Verified By: Luis Roberto Lomas 62514 Created by Independent Third Party: Yes Evaluation Reports Created by Independent Third Party:
------------------------------------------------------------------------------------------------------------------------------------------------------------------------------------------------------------------------------------------------------	--------------------------------------------------------------------------------------------------------------------------------------------------------------------------------------------------------------------------------------------------------------------------------------------------------------------------------------------------------------------------------------------------------------------------



Contact Us [1940 North Monroe Street, Tallahassee FL 32399](#) Phone: 850-487-1824

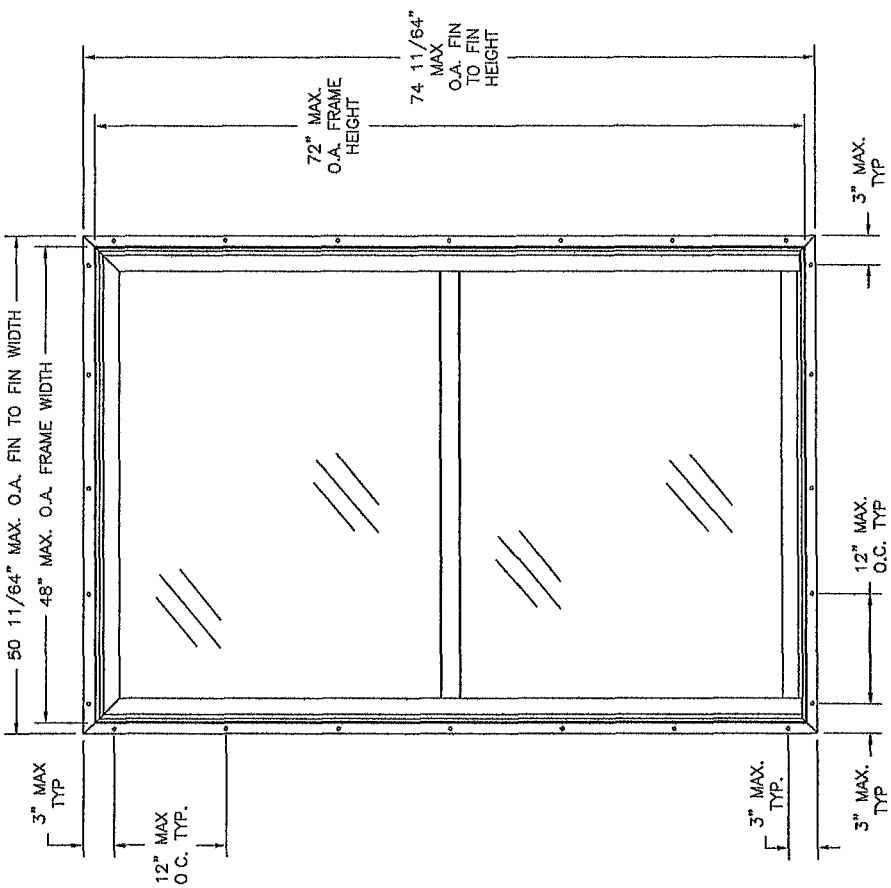
The State of Florida is an AA/EEO employer [Copyright 2007-2013 State of Florida](#), [Privacy Statement](#) [Accessibility Statement](#) [Refund Statement](#)

Under Florida law, email addresses are public records. If you do not want your e-mail address released in response to a public-records request, do not send electronic mail to this entity. Instead, contact the office by phone or by traditional mail. If you have any questions, please contact 850.487.1395. *Pursuant to Section 455.275 (1), Florida Statutes, effective October 1, 2012, licensees licensed under Chapter 455, F.S. must provide the Department with an email address if they have one. The emails provided may be used for official communication with the licensee. However email addresses are public record. If you do not wish to supply a personal address, please provide the Department with an email address which can be made available to the public. To determine if you are a licensee under Chapter 455, F.S., please click [here](#).

Product Approval Accepts:

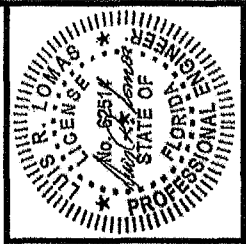


REV	DESCRIPTION	DATE	APPROVED



- NOTES:
- 1) THE PRODUCT SHOWN HEREIN IS DESIGNED AND MANUFACTURED TO COMPLY WITH REQUIREMENTS OF THE FLORIDA BUILDING CODE.
 - 2) WOOD FRAMING AND MASONRY OPENING TO BE DESIGNED AND ANCHORED TO PROPERLY TRANSFER ALL LOADS TO STRUCTURE. FRAMING AND MASONRY OPENING IS THE RESPONSIBILITY OF THE ARCHITECT OR ENGINEER OF RECORD.
 - 3) ALLOWABLE STRESS INCREASE OF 1/3 WAS NOT USED IN THE DESIGN OF THE PRODUCT SHOWN HEREIN WIND LOAD DURATION FACTOR Cd=1.6 WAS USED FOR WOOD ANCHOR CALCULATIONS
 - 4) FRAME SASH MATERIAL EXTRUDED WHITE RIGID PVC 065" THICK
 - 5) UNITS MUST BE GLAZED PER ASTM E1300
 - 6) APPROVED IMPACT PROTECTIVE SYSTEM IS REQUIRED FOR THIS PRODUCT IN WIND BORNE DEBRIS REGIONS.
 - 7) SHIM AS REQUIRED AT EACH INSTALLATION ANCHOR WITH LOAD BEARING ALLOWABLE SHIM STACK TO BE 1/4".
 - 8) FOR ANCHORING INTO WOOD FRAMING OR 2X BUCK USE #8 WOOD SCREW WITH SUFFICIENT LENGTH TO ACHIEVE A 1 1/2" MINIMUM EMBEDMENT INTO SUBSTRATE. LOCATE ANCHORS AS SHOWN IN ELEVATIONS AND INSTALLATION DETAILS.
 - 9) ALL FASTENERS TO BE CORROSION RESISTANT.
 - 10) INSTALLATION ANCHORS SHALL BE INSTALLED IN ACCORDANCE WITH ANCHOR MANUFACTURER'S INSTALLATION INSTRUCTIONS. AND ANCHORS SHALL NOT BE USED IN SUBSTRATES WITH STRENGTHS LESS THAN THE MINIMUM STRENGTH SPECIFIED BELOW:
 - A. WOOD - MINIMUM SPECIFIC GRAVITY OF G=0.42.
 - 11) MAX. SASH SIZE. 45 1/4" x 35"
 MAX. SASH D.L.O. 42 3/4" x 32 1/2"
 MAX. FIXED LITE D.L.O. 43 3/8" x 32 3/8"

Digitally signed by Luis R. Lomas P.E.
 Location: 1432 Woodford Rd,
 Lewisville, NC 27023
 Date: 2009.05.06 20:13:57 -0400



MAGNOLIA WINDOW & DOOR
 420 INDUSTRIAL BLVD.
 BALDWIN, GA. 30511

SH300 PVC SINGLE HUNG WINDOW - REINFORCED
 48" x 72"
 ELEVATION, ANCHORING AND NOTES

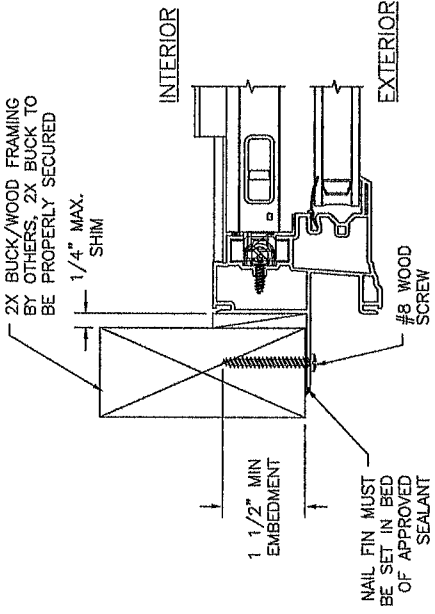
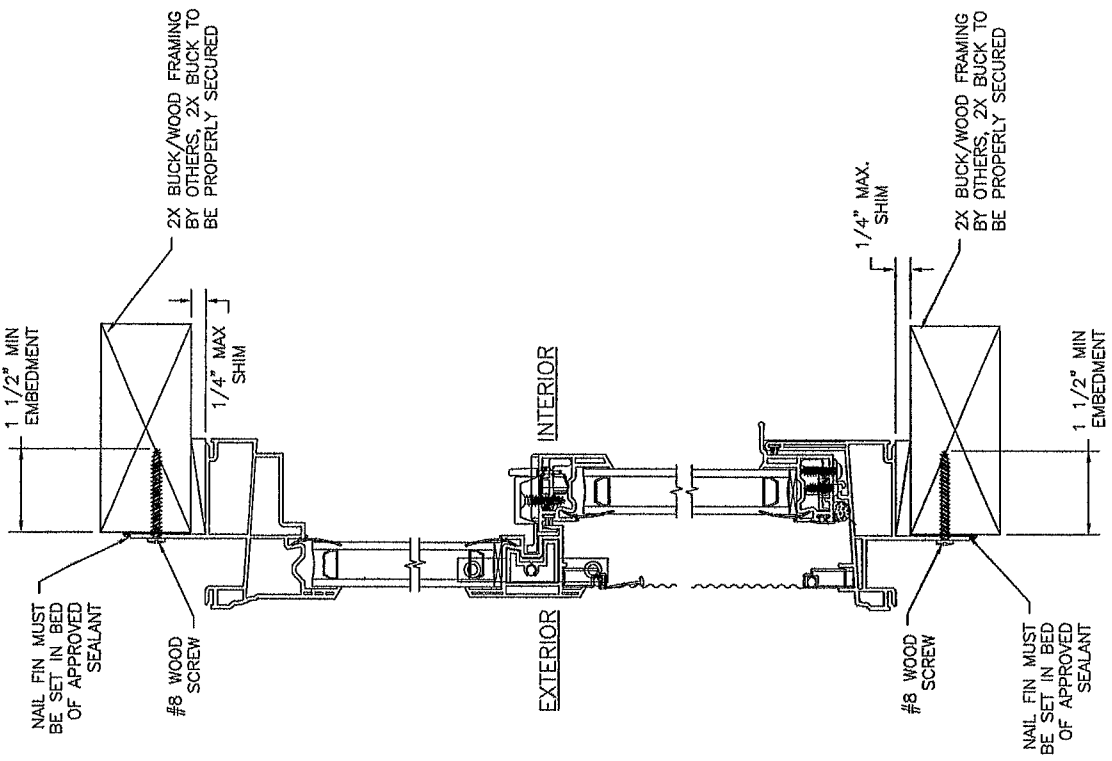
DRAWN: TJH	DWG NO. 08-00743	REV -
SCALE NTS	DATE 04/25/09	SHEET 1 OF 2

SH300 PVC SINGLE HUNG WINDOW - REINFORCED
 EXTERIOR VIEW

DESIGN	PRESSURE RATING	IMPACT RATING
±25PSF		NONE

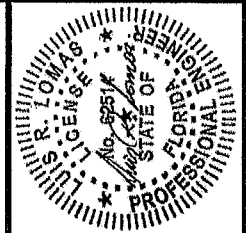
TABLE OF CONTENTS	
SHEET NO	DESCRIPTION
1	ELEVATION, ANCHORING AND NOTES
2	INSTALLATION DETAILS

REV	DESCRIPTION	DATE	APPROVED

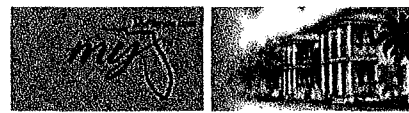


JAMB INSTALLATION
2X BUCK/WOOD FRAMING

VERTICAL CROSS SECTION
2X BUCK/WOOD FRAMING INSTALLATION



MAGNOLIA WINDOW & DOOR	
420 INDUSTRIAL BLVD. BALDWIN, GA. 30511	
SH300 PVC SINGLE HUNG WINDOW - REINFORCED 48" x 72" INSTALLATION DETAILS	
DRAWING TJH	DWG. NO. 08-00743
SCALE NTS	DATE 04/25/09
	SHEET 2 OF 2



DBPR HOME / ABOUT DBPR / DBPR DIVISIONS / CONTACT DBPR

Florida Department of Business & Professional Regulation

BCIS Home | Log In | User Registration | Hot Topics | Submit Surcharge | Stats & Facts | Publications | FBC Staff | BCIS Site Map | Links | Search



Product Approval
USER: Public User

License efficiently. Regulate fairly.

Product Approval Menu > Product or Application Search > Application List > Application Detail



FL #	FL16107-R3																		
Application Type	Revision																		
Code Version	2010																		
Application Status	Approved																		
Comments																			
Archived	<input type="checkbox"/>																		
Product Manufacturer	Clopay Building Products Company																		
Address/Phone/Email	8585 Duke Blvd Mason, OH 45040 (513) 770-6062 mwesterfield@clopay.com																		
Authorized Signature	Scott Hamilton shamilton@clopay.com																		
Technical Representative																			
Address/Phone/Email																			
Quality Assurance Representative																			
Address/Phone/Email																			
Category	Exterior Doors																		
Subcategory	Sectional Exterior Door Assemblies																		
Compliance Method	Evaluation Report from a Florida Registered Architect or a Licensed Florida Professional Engineer <input checked="" type="checkbox"/> Evaluation Report - Hardcopy Received																		
Florida Engineer or Architect Name who developed the Evaluation Report	Scott Hamilton																		
Florida License	PE-63286																		
Quality Assurance Entity	Intertek Testing Services NA Inc. - ETL/Warnock Harsey																		
Quality Assurance Contract Expiration Date	12/31/2028																		
Validated By	Gary Pfuehler <input checked="" type="checkbox"/> Validation Checklist - Hardcopy Received																		
Certificate of Independence	FL16107_R3 COI Certification of Independence of Validation Entity-Gary Pfuehler.pdf FL16107_R3 COI Statement on Independence of Evaluation Entity-ScottHamilton_120424.pdf																		
Referenced Standard and Year (of Standard)	<table border="0"> <thead> <tr> <th>Standard</th> <th>Year</th> </tr> </thead> <tbody> <tr> <td>ANSI/DASMA 108</td> <td>2005</td> </tr> <tr> <td>ANSI/DASMA 115</td> <td>2005</td> </tr> <tr> <td>ASTM E1886</td> <td>2005</td> </tr> <tr> <td>ASTM E1996</td> <td>2009</td> </tr> <tr> <td>ASTM E330</td> <td>2002</td> </tr> <tr> <td>TAS 201</td> <td>1994</td> </tr> <tr> <td>TAS 202</td> <td>1994</td> </tr> <tr> <td>TAS 203</td> <td>1994</td> </tr> </tbody> </table>	Standard	Year	ANSI/DASMA 108	2005	ANSI/DASMA 115	2005	ASTM E1886	2005	ASTM E1996	2009	ASTM E330	2002	TAS 201	1994	TAS 202	1994	TAS 203	1994
Standard	Year																		
ANSI/DASMA 108	2005																		
ANSI/DASMA 115	2005																		
ASTM E1886	2005																		
ASTM E1996	2009																		
ASTM E330	2002																		
TAS 201	1994																		
TAS 202	1994																		
TAS 203	1994																		
Equivalence of Product Standards Certified By																			
Sections from the Code																			

Product Approval Method Method 1 Option D

Date Submitted 06/26/2013
 Date Validated 02/21/2014
 Date Pending FBC Approval 03/04/2014
 Date Approved 04/18/2014

Summary of Products		
Go to Page <input type="text" value="60"/>		Page 1 / 3
FL #	Model, Number or Name	Description
16107.1	01 W6-16 DSIE-1F171 4300, 4301, 4310, HDG, HDGL, HDGF, 66, 66G, 67, 67G, 68, SP200, SF200, SE200, 6200, 6201, 6203	Double-skin Insulated EPS (exterior skin 27 ga min.; interior skin 27 ga. min.) Double-Car (9'2" to 16'2" wide) WINDCODE® W6 Garage Door
Limits of Use Approved for use in HVHZ: Yes Approved for use outside HVHZ: Yes Impact Resistant: Yes Design Pressure: +38 PSF/-42 PSF Other: Max. Wind Speed (V _{ult}): 170 MPH Solid doors or doors with optional impact-resistant glazing are impact-resistant (large missile impact).		Installation Instructions FL16107_R3_II_104724-A-IBC-Rev03.pdf Verified By: Mark Westerfield FL PE 48495 Created by Independent Third Party: No Evaluation Reports FL16107_R3_AE_CBPC_130214-A.pdf Created by Independent Third Party: No
16107.2	02 W6-16 DSIE-1F171 4300, 4301, 4310, HDG, HDGL, HDGF, 66, 66G, 67, 67G, 68, SP200, SF200, SE200, 6200, 6201, 6203	Double-skin Insulated EPS (exterior skin 27 ga min.; interior skin 27 ga. min.) Double-Car (9'2" to 16'2" wide) WINDCODE® W6 Garage Door
Limits of Use Approved for use in HVHZ: No Approved for use outside HVHZ: Yes Impact Resistant: No Design Pressure: +38 PSF/-42 PSF Other: Doors with standard glazing meet the wind load requirements of the building code but DO NOT meet the impact resistant requirement for windborne debris regions		Installation Instructions FL16107_R3_II_104724-B-IBC-Rev03.pdf Verified By: Mark Westerfield FL PE 48495 Created by Independent Third Party: No Evaluation Reports FL16107_R3_AE_CBPC_130214-A.pdf Created by Independent Third Party: No
16107.3	03 W6-16 PAN-2F153 73, 75, 84A, 94, 42, 48, 42B, 48B, 4RST, 6RST, GD5S, GR5S, AR5S, ED5S	Steel Pan (min. 25 ga.) Double-Car (9'2" to 16'2" wide) WINDCODE® W6 Garage Door with Optional Impact-Resistant Lites
Limits of Use Approved for use in HVHZ: Yes Approved for use outside HVHZ: Yes Impact Resistant: Yes Design Pressure: +36 PSF/-42 PSF Other: Max. Wind Speed (V _{ult}): 170 MPH Solid doors or doors with optional impact-resistant glazing are impact-resistant (large missile impact).		Installation Instructions FL16107_R3_II_104710-A-IBC-Rev02.pdf Verified By: Mark Westerfield FL PE 48495 Created by Independent Third Party: No Evaluation Reports FL16107_R3_AE_CBPC_121212-A.1.pdf Created by Independent Third Party: No
16107.4	04 W6-16 PAN-2F153 73, 75, 84A, 94, 42, 48, 42B, 48B, 4RST, 6RST, GD5S, GR5S, AR5S, ED5S	Steel Pan (min. 25 ga.) Double-Car (9'2" to 16'2" wide) WINDCODE® W6 Garage Door
Limits of Use Approved for use in HVHZ: No Approved for use outside HVHZ: Yes Impact Resistant: No Design Pressure: +36 PSF/-42 PSF Other: Doors with standard glazing meet the wind load requirements of the building code but DO NOT meet the impact resistant requirement for windborne debris regions		Installation Instructions FL16107_R3_II_104710-B-IBC-Rev02.pdf Verified By: Mark Westerfield FL PE 48495 Created by Independent Third Party: No Evaluation Reports FL16107_R3_AE_CBPC_121212-A.1.pdf Created by Independent Third Party: No
16107.5	05 W6-16 PAN-2F143 84A, 94, 98, 48, 48B, 4F, 4RST	Steel Pan (min. 24 ga.) Double-Car (9'2" to 16'2" wide) WINDCODE® W6 Garage Door with Optional Impact-Resistant Lites
Limits of Use Approved for use in HVHZ: Yes Approved for use outside HVHZ: Yes Impact Resistant: Yes Design Pressure: +38 PSF/-42 PSF Other: Max. Wind Speed (V _{ult}): 170 MPH Solid doors or doors with optional impact-resistant glazing are impact-resistant (large missile impact).		Installation Instructions FL16107_R3_II_104753-A-IBC-Rev02.pdf Verified By: Mark Westerfield FL PE 48495 Created by Independent Third Party: No Evaluation Reports FL16107_R3_AE_CBPC_121212-A.1.pdf Created by Independent Third Party: No
16107.6	06 W6-16 PAN-2F143 84A, 94, 98, 48, 48B, 4F, 4RST	Steel Pan (min. 24 ga.) Double-Car (9'2" to 16'2" wide) WINDCODE® W6 Garage Door
Limits of Use Approved for use in HVHZ: No Approved for use outside HVHZ: Yes Impact Resistant: No Design Pressure: +38 PSF/-42 PSF Other: Doors with standard glazing meet the wind load requirements of the building code but DO NOT meet the impact resistant requirement for windborne debris regions		Installation Instructions FL16107_R3_II_104753-B-IBC-Rev02.pdf Verified By: Mark Westerfield FL PE 48495 Created by Independent Third Party: No Evaluation Reports FL16107_R3_AE_CBPC_121212-A.1.pdf Created by Independent Third Party: No
16107.7	07 W6-18 DSIE-1F171: 4300, 4301, 4310, HDG, HDGL, HDGF, 66, 66G, 67, 67G, 68, SP200, SF200, SE200, 6200, 6201, 6203	Double-skin Insulated EPS (exterior skin 27 ga min.; interior skin 27 ga. min.) 16'4" to 18'2" wide WINDCODE® W6 Garage Door with Optional Impact-Resistant Lites
Limits of Use Approved for use in HVHZ: Yes Approved for use outside HVHZ: Yes Impact Resistant: Yes Design Pressure: +38 PSF/-42 PSF Other: Max. Wind Speed (V _{ult}): 170 MPH. Solid doors or doors with optional impact-resistant glazing are impact-resistant (large missile impact).		Installation Instructions FL16107_R3_II_104751-A-IBC-Rev02.pdf Verified By: Mark Westerfield FL PE 48495 Created by Independent Third Party: No Evaluation Reports FL16107_R3_AE_CBPC_121212-A.1.pdf Created by Independent Third Party: No
16107.8	08 W6-18 DSIE-1F171: 4300, 4301, 4310, HDG, HDGL, HDGF, 66, 66G, 67, 67G, 68, SP200, SF200, SE200, 6200, 6201, 6203	Double-skin Insulated EPS (exterior skin 27 ga. min.; interior skin 27 ga. min.) 16'4" to 18'2" wide WINDCODE® W6 Garage Door

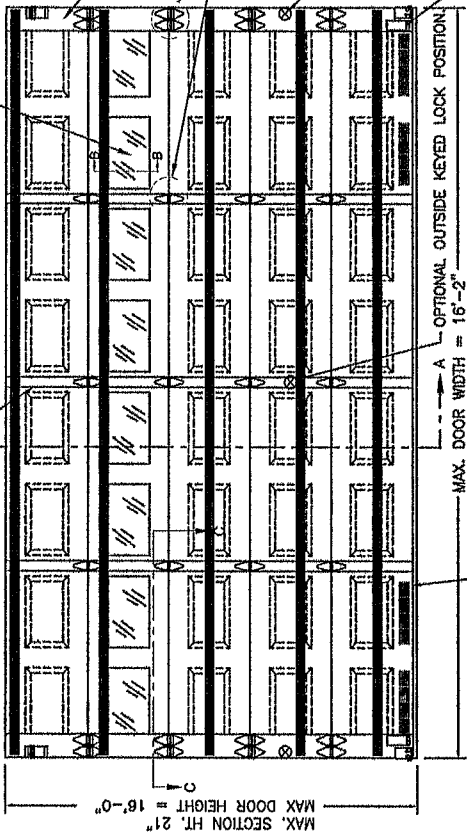
<p>Limits of Use Approved for use in HVHZ: No Approved for use outside HVHZ: Yes Impact Resistant: No Design Pressure: +38 PSF/-42 PSF Other: Doors with standard glazing meet the wind load requirements of the building code but DO NOT meet the Impact resistant requirement for windborne debris regions.</p>		<p>Installation Instructions FL16107_R3_II_104751-B-IBC-Rev02.pdf Verified By: Mark Westerfield FL PE 48495 Created by Independent Third Party: No Evaluation Reports FL16107_R3_AE_CBPC_121212-A.1.pdf Created by Independent Third Party: No</p>
16107.9	09 W6-18 DSIU-1F171: 9200, 9201, 9203, HDP20, HDPF20, HDPL20, 7200, 7201, 7203, 8200, 8201, 8203	Double-skin Insulated PUR (exterior skin 27 ga min , interior skin 27 ga. min) 16'4" to 18'2" wide WINDCODE@ W6 Garage Door
<p>Limits of Use Approved for use in HVHZ: Yes Approved for use outside HVHZ: Yes Impact Resistant: Yes Design Pressure: +38 PSF/-42 PSF Other: Max. Wind Speed (V_ult): 170 MPH Solid doors or doors with optional Impact-resistant glazing are Impact-resistant (large missile Impact).</p>		<p>Installation Instructions FL16107_R3_II_104777-B-IBC-Rev02.pdf Verified By: Mark Westerfield FL PE 48495 Created by Independent Third Party: No Evaluation Reports FL16107_R3_AE_CBPC_121212-A.1.pdf Created by Independent Third Party: No</p>
16107.10	10 W6-18 DSIU-1F171: 9200, 9201, 9203, HDP20, HDPF20, HDPL20, 7200, 7201, 7203, 8200, 8201, 8203	Double-skin Insulated PUR (exterior skin 27 ga. min ; interior skin 27 ga. min) 16'4" to 18'2" wide WINDCODE@ W6 Garage Door
<p>Limits of Use Approved for use in HVHZ: No Approved for use outside HVHZ: Yes Impact Resistant: No Design Pressure: +38 PSF/-42 PSF Other: Doors with standard glazing meet the wind load requirements of the building code but DO NOT meet the Impact resistant requirement for windborne debris regions.</p>		<p>Installation Instructions FL16107_R3_II_104777-B-IBC-Rev02.pdf Verified By: Mark Westerfield FL PE 48495 Created by Independent Third Party: No Evaluation Reports FL16107_R3_AE_CBPC_121212-A.1.pdf Created by Independent Third Party: No</p>
16107 11	11 W6-18 PAN-2F153: 73, 75, 84A, 94, 42, 48, 42B, 48B, 4RST, 6RST, GD5S, GR5S, AR5S, ED5S	Steel Pan (min. 25 ga.) Double-Car (16'4" to 18'2" wide) WINDCODE@ W6 Garage Door with Optional Impact-Resistant Lites
<p>Limits of Use Approved for use in HVHZ: Yes Approved for use outside HVHZ: Yes Impact Resistant: Yes Design Pressure: +36 PSF/-42 PSF Other: Max. Wind Speed (V_ult): 170 MPH Solid doors or doors with optional Impact-resistant glazing are Impact-resistant (large missile Impact)</p>		<p>Installation Instructions FL16107_R3_II_104761-B-IBC-Rev02.pdf Verified By: Mark Westerfield FL PE 48495 Created by Independent Third Party: No Evaluation Reports FL16107_R3_AE_CBPC_121212-A.1.pdf Created by Independent Third Party: No</p>
16107 12	12 W6-18 PAN-2F153: 73, 75, 84A, 94, 42, 48, 42B, 48B, 4RST, 6RST, GD5S, GR5S, AR5S, ED5S	Steel Pan (min. 25 ga.) Double-Car (16'4" to 18'2" wide) WINDCODE@ W6 Garage Door
<p>Limits of Use Approved for use in HVHZ: No Approved for use outside HVHZ: Yes Impact Resistant: No Design Pressure: +36 PSF/-42 PSF Other: Doors with standard glazing meet the wind load requirements of the building code but DO NOT meet the Impact resistant requirement for windborne debris regions.</p>		<p>Installation Instructions FL16107_R3_II_104761-B-IBC-Rev02.pdf Verified By: Mark Westerfield FL PE 48495 Created by Independent Third Party: No Evaluation Reports FL16107_R3_AE_CBPC_121212-A.1.pdf Created by Independent Third Party: Yes</p>
16107 13	13 W7-18 PAN-2F143 84A, 94, 98, 48, 48B, 4F, 4RST	Steel Pan (min 24 ga.) 16'4" to 18'2" wide WINDCODE@ W7 Garage Door with Optional Impact-Resistant Lites
<p>Limits of Use Approved for use in HVHZ: Yes Approved for use outside HVHZ: Yes Impact Resistant: Yes Design Pressure: +41 PSF/-46 PSF Other: Max. Wind Speed (V_ult): 170 MPH Solid doors or doors with optional Impact-resistant glazing are Impact-resistant (large missile Impact).</p>		<p>Installation Instructions FL16107_R3_II_104762-IBC-Rev02.pdf Verified By: Mark Westerfield FL PE 48495 Created by Independent Third Party: No Evaluation Reports FL16107_R3_AE_CBPC_121212-A.1.pdf Created by Independent Third Party: No</p>
16107 14	14 W6-16 DSIE-1F171: HDG, HDGL, 4300, 4310, 4301, 66, 66G, 67, 67G, 68, 6200, 6201, 6203, SP200, SF200, SE200	Double-skin Insulated (exterior skin 27 ga min., interior skin 27 ga min.) Double Car (9'2" to 16'2" wide) WINDCODE@ W8 Garage Door with Optional Impact-Resistant Lites
<p>Limits of Use Approved for use in HVHZ: Yes Approved for use outside HVHZ: Yes Impact Resistant: Yes Design Pressure: +46 PSF/-52 PSF Other: Max Wind Speed (V_ult): 170 MPH Solid doors or doors with optional Impact-resistant glazing are Impact-resistant (large missile Impact).</p>		<p>Installation Instructions FL16107_R3_II_104736-IBC-Rev03.pdf Verified By: Mark Westerfield FL PE 48495 Created by Independent Third Party: No Evaluation Reports FL16107_R3_AE_CBPC_130214-A.pdf Created by Independent Third Party: No</p>
16107.15	15 W8-16 PAN-2F143: 84A, 94, 98, 48, 48B, 4F, 4RST	Steel Pan (min 24 ga.) Double Car (9'2" to 16'2" wide) WINDCODE@ W8 Garage Door with Optional Impact-Resistant Lites
<p>Limits of Use Approved for use in HVHZ: Yes Approved for use outside HVHZ: Yes Impact Resistant: Yes Design Pressure: +46 PSF/-50 PSF Other: Max Wind Speed (V_ult): 170 MPH. Solid doors or doors with optional Impact-resistant glazing are Impact-resistant (large missile Impact).</p>		<p>Installation Instructions FL16107_R3_II_104754-IBC-Rev02.pdf Verified By: Mark Westerfield FL PE 48495 Created by Independent Third Party: No Evaluation Reports FL16107_R3_AE_CBPC_121212-A.1.pdf Created by Independent Third Party: No</p>
16107 16	16 W8-18 DSIE-1F171: HDG, HDGL, HDGF, 4300, 4310, 4301, 66, 66G, 67, 67G, 68, 6200, 6201, 6203, SP200, SF200, SE200	Double-skin Insulated (exterior skin 27 ga. min ; interior skin 27 ga. min) Double Car (16'4" to 18'2" wide) WINDCODE@ W8 Garage Door with Optional Impact-Resistant Lites
<p>Limits of Use Approved for use in HVHZ: Yes Approved for use outside HVHZ: Yes Impact Resistant: Yes Design Pressure: +46 PSF/-50 PSF Other: Max Wind Speed (V_ult): 170 MPH. Solid doors or doors with optional Impact-resistant glazing are Impact-resistant (large missile Impact).</p>		<p>Installation Instructions FL16107_R3_II_104752-IBC-Rev02.pdf Verified By: Mark Westerfield FL PE 48495 Created by Independent Third Party: No Evaluation Reports FL16107_R3_AE_CBPC_121212-A.1.pdf Created by Independent Third Party: No</p>
16107.17	17 W8-16 DSIU-1F171: 9200, 9201, 9203, HDP20, HDPF20, HDPL20, 7200, 7201, 7203, 8200, 8201, 8203	Double-skin Insulated PUR (exterior skin 27 ga min ; interior skin 27 ga. min.) Double-Car (9'2" to 16'2" wide) WINDCODE@ W8 Garage Door with Optional Impact-Resistant Lites

MIDDELS	27 GA SHORT	27 GA FLUSH	27 GA LONG
CLOPAY	4300, HDG	4301, HDGF	4310, HDGL
HELMES	66, 66G, 6200	68, 6201	67, 67G, 6203
IDEAL	SP200	SF200	SE200

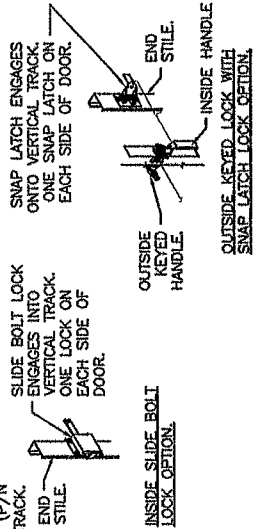
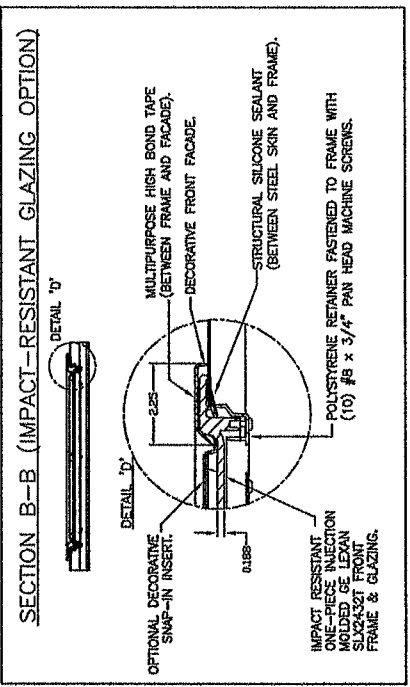
SHEET	REV. NO.	ZONE	DATE	ECN NO.	APPRVD.	REVISIONS	DESCRIPTION
1 OF 3	03	-	2/11/13	-	SH	UPDATED TOP BRACKET REQUIREMENT.	

OPTIONAL ROW OF IMPACT-RESISTANT GLAZING. MAX. GLAZING SIZE IS 18'-1/2" x 11". GLAZING IS INJECTION-MOLDED GE LEXAN SLX243ZT, AN APPROVED C22 PLASTIC IN ACCORDANCE WITH IBC/FBC 2606. SEE SECTION B-B FOR ASSEMBLY DETAILS. (GLAZING SHOWN IN INTERMEDIATE SECTION.)

IMPACT-RESISTANT CONSTRUCTION:
SOLID DOORS (NO GLAZING) OR DOORS WITH OPTIONAL IMPACT-RESISTANT GLAZING ARE IMPACT-RESISTANT. OPTIONAL INJECTION-MOLDED POLYCARBONATE FRONT FRAME AND GLAZING IS GE LEXAN SLX243ZT, AN APPROVED C22 PLASTIC IN ACCORDANCE WITH IBC/FBC 2606 AND AN APPROVED C1 PLASTIC IN ACCORDANCE WITH IBC/FBC 2612. THE ENTIRE DOOR ASSEMBLY IS INSTALLED IN COMPLIANCE WITH THIS SECTION MEETS THE WIND LOAD REQUIREMENTS OF THE FLORIDA BUILDING CODE AND INTERNATIONAL BUILDING CODE AND IS LARGE- AND SMALL-MASS IMPACT RESISTANT.



DOOR HEIGHT	# OF SECTIONS
UP TO 7'0"	4
7'3" TO 8'9"	5
9'0" TO 10'6"	6
10'9" TO 12'3"	7
12'6" TO 14'0"	8
14'3" TO 15'9"	9
16'0"	10



DESIGN LOADS: +46.0 P.S.F. & -52.0 P.S.F.
TEST LOADS: +69.0 P.S.F. & -78.0 P.S.F.

Unless Stated Otherwise
TOLERANCES are
.0 = ±.031
.00 = ±.015
.000 = ±.005
Degrees = ±1/2"

8585 Date Revisited
Part No. 513-770-8800
Rev. No. 513-770-8853
Fax No. 513-770-8853

Clopay
Building Products Company

DESCRIPTION: 2" EPS INS. DOORS TO 16'2" (SEE TABLE FOR MODELS)
DRAWN BY: SH
DATE: 10/12/12 SCALE: NTS
CHECKED BY: SH
DATE: 10/26/12 SHEET 1 OF 3

MANUFACTURING PRODUCT CODE
PART NO.: N/A
DSTE-1F171

WINDLOAD RATING
W8 DP46

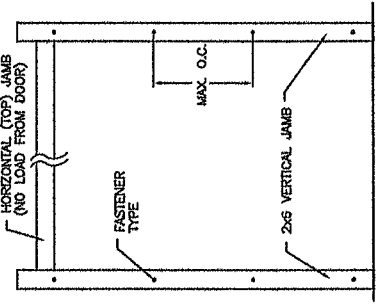
DESIGN ENGINEER:
MARK WESTERFIELD, P.E.
FLORIDA P.E. #48465, NC P.E. #23832, TEXAS P.E. #91513

MIDELS	27 GA SHORT	27 GA FLUSH	27 GA LONG
CLOPAY	4300, HDG	4300, HDGF	4300, HDGL
HOLMES	66, 66G, 6200	68, 6201	67, 67G, 6203
IDEAL	SP200	SF200	SE200

SHEET	2 OF 3
REV NO.	03
ZONE	-
DATE	-
ECN NO.	-
APPRVD	-
DESCRIPTION	SEE REVISION HISTORY ON SHEET ONE.

JAMB TO SUPPORTING STRUCTURE ATTACHMENT

- NOTES:
- ALL THE LOAD FROM THE DOOR IS TRANSFERRED TO THE TRACK AND THEN FROM THE TRACK TO THE VERTICAL SUPPORTS (27 GA. SHORT OR 27 GA. FLUSH OR 27 GA. LONG). THE TRACK IS TO BE TRANSPORTED TO THE WORK SITE BY TRUCK OR TRAILER.
 - EACH VERTICAL JAMB SEES A MAXIMUM DESIGN LOAD OF +368 LB & -416 LB. PER LINEAR FOOT OF JAMB.
 - ALL JAMB FASTENERS MAY BE (BUT ARE NOT REQUIRED TO BE) COUNTERSUNK TO PROVIDE A FLUSH MOUNTING SURFACE.
 - LOADS FOR ANCHORS AND FASTENERS FOR STEEL, CONCRETE AND MASONRY.



2x6 JAMB TO SUPPORTING STRUCTURE ATTACHMENT

(NOT TO BE USED FOR ATTACHMENT OF TRACK ANGLE TO 2x6 VERTICAL JAMBS OR SUPPORTING STRUCTURE)

BUILDING TYPE	FASTENER TYPE	MAXIMUM ON-CENTER DISTANCE BETWEEN FASTENERS*	STEEL WASHERS PROVIDED*
BLOCK WALL	1/2" x 1-1/4" MIN. EMBED TYPICAL CONCRETE ANCHOR	6'-3/4"	1" O.D.
5000 PSI MIN. CONCRETE	3/8" x 1-3/4" MIN. EMBED WELT ANCHOR	1'-3-1/2"	INCLUDED
2000 PSI MIN. CONCRETE	3/8" x 1-3/4" MIN. EMBED WELT ANCHOR	2'-0"	INCLUDED
WOOD FRAME (SFP 0.58, SFP 1.22, 3" x 3" IAG SCREW (ASTM A307, GRADE A), 1-5/8" EMBED INTO STRUCTURE		1'-4-3/4"	1" O.D.

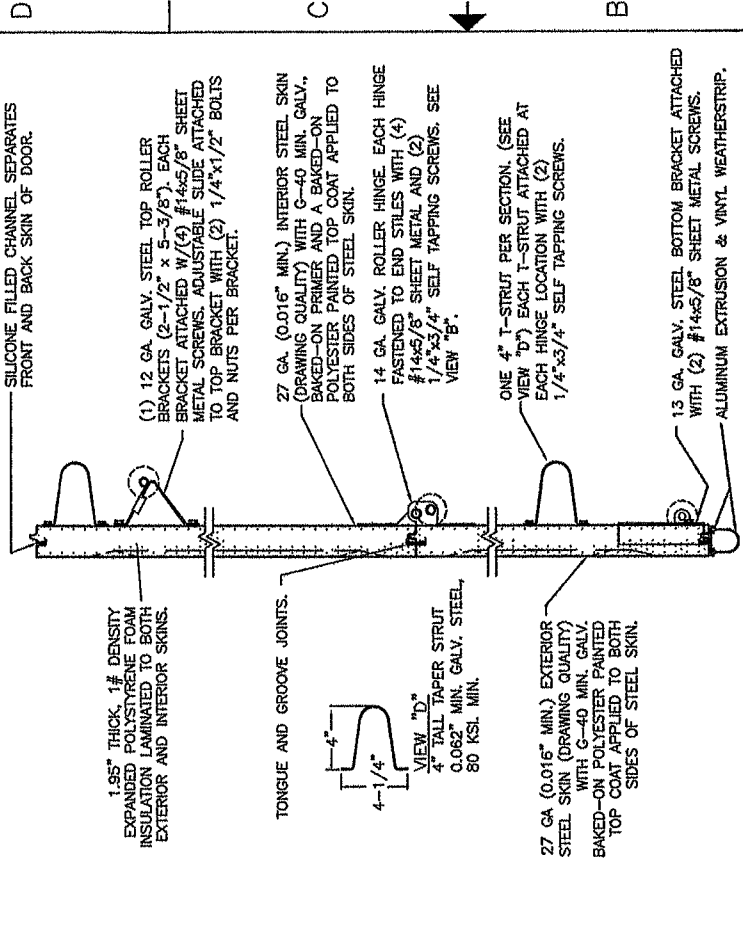
* FIRST (BOTTOM) ANCHOR STARTING AT NO MORE THAN HALF OF THE MAXIMUM ON-CENTER DISTANCE. HIGHEST ANCHOR INSTALLED CLOSER TO THE SUPPLY JAMB ATTACHMENT POINT.

MINIMUM DISTANCE BETWEEN CENTER OF ANCHOR AND EDGE OF CONCRETE BLOCK: 2-1/2", EXCLUDING STUCCO THICKNESS.

THIS DOOR MEETS OR EXCEEDS THE DESIGN LOADS FOR THE ULTIMATE WIND SPEED FOR THE FLORIDA ULTIMATE WIND SPEED FOR THE INTERNATIONAL BUILDING CODE (BASED ON SECTION 10) FOR THE FOLLOWING CONDITIONS: 1) ENCLOSED BUILDING 2) DOOR HAS 2' OF WIDTH IN BUILDING'S END ZONE, 3) ANY ROOF SLOPE AND 4) TESTING IN ACCORDANCE WITH ANSI/DASMA 108. SITE-SPECIFIC CALCULATIONS BY A QUALIFIED DESIGN PROFESSIONAL MAY DIFFER.

ULTIMATE WIND SPEED (MPH)	175	185	190	200	200
EXPOSURE CATEGORY	B, C, D	B, C, D	B, C	B, C	B
MEAN ROOF HEIGHT	25'	15'	25'	15'	30'

DESIGN ENGINEER:
MARK WESTERFIELD, P.E.
FLORIDA P.E. #48495, NC P.E. #23832, TEXAS P.E. #91513



SECTION A-A (SIDE VIEW)

DESIGN LOADS: +46.0 P.S.F. & -52.0 P.S.F.
TEST LOADS: +69.0 P.S.F. & -78.0 P.S.F.

Unless Stated Otherwise TOLERANCES are:
 .0 = ±.031
 .00 = ±.015
 .000 = ±.005
 .0000 = ±.001
 Degrees = ±1/2"
 Unless Stated Otherwise DIMENSIONS ARE IN INCHES.

8885 Ditz Building
14, No. 513-770-8000
For No. 513-776-4855

Clopay
Building Products Company

DESCRIPTION: 2" EPS INS. DOORS TO 16'2" (SEE TABLE FOR MODELS)
DRAWN BY: SH
CHECKED BY: SH
DATE: 10/12/12
SCALE: NTS
DWG. NO.: 104736

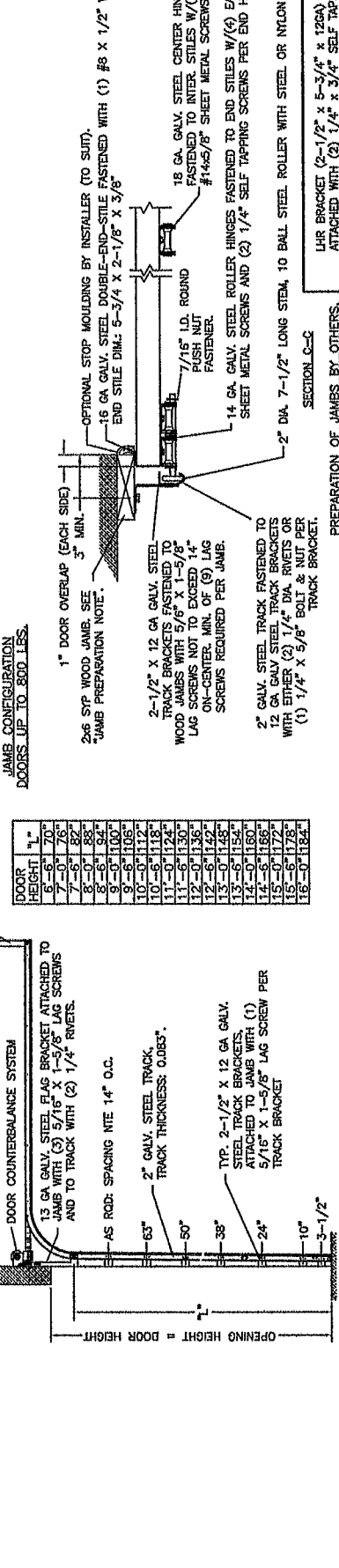
MANUFACTURING PRODUCT CODE: DSIE-1F171
PART NO.: N/A
VINYLIDAM RATING: W8 DP46
DATE: 10/26/12
SHEET 2 OF 3
VER: IBC

2 FLORIDA PRODUCT APPROVAL 16107

MIDELS	27 GA SHORT	27 GA FLUSH	27 GA LONG
CLOPAY	4300, HDG	4301, HDGF	4310, HDGL
HOLMES	66, 66G, 6200	68, 6201	67, 67G, 6203
IDEAL	SP200	SF200	SE200

NOTE: TRACK CONFIGURATION ABOVE THE DOOR OPENING DOES NOT AFFECT THE WIND LOAD RATING OF THIS DOOR.

NOTE: TRACK CONFIGURATION ABOVE THE DOOR OPENING DOES NOT AFFECT THE WIND LOAD RATING OF THIS DOOR.

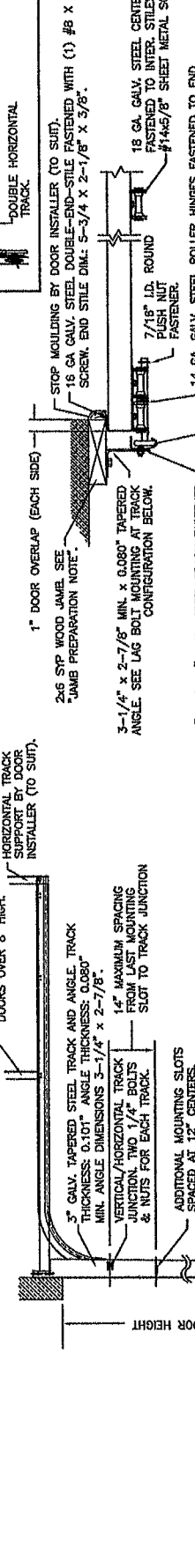


DOOR HEIGHT	L*
6'-6"	70"
7'-0"	76"
7'-6"	82"
8'-0"	88"
8'-6"	94"
9'-0"	100"
9'-6"	106"
10'-0"	112"
10'-6"	118"
11'-0"	124"
11'-6"	130"
12'-0"	136"
12'-6"	142"
13'-0"	148"
13'-6"	154"
14'-0"	160"
14'-6"	166"
15'-0"	172"
15'-6"	178"
16'-0"	184"

3" TRACK CONFIGURATION DOORS 800 LBS AND OVER.

NOTE: TRACK CONFIGURATION ABOVE THE DOOR OPENING DOES NOT AFFECT THE WIND LOAD RATING OF THIS DOOR.

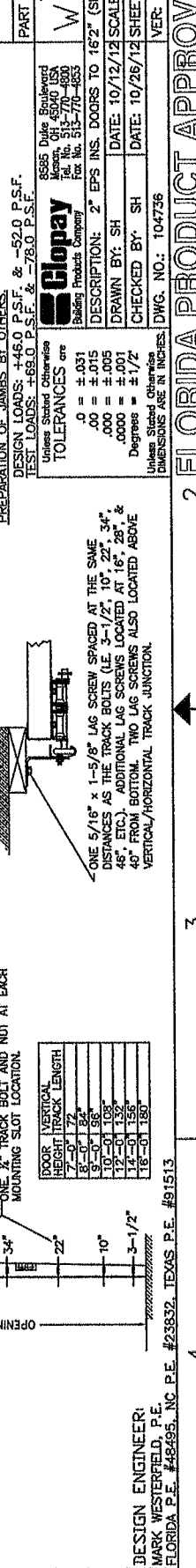
3" TRACK CONFIGURATION DOORS 800 LBS AND OVER.



DOOR HEIGHT	TRACK LENGTH
7'-0"	74"
8'-0"	84"
9'-0"	96"
10'-0"	108"
12'-0"	132"
14'-0"	156"
16'-0"	180"

3" TRACK CONFIGURATION DOORS 800 LBS AND OVER.

NOTE: TRACK CONFIGURATION ABOVE THE DOOR OPENING DOES NOT AFFECT THE WIND LOAD RATING OF THIS DOOR.



JAMB CONFIGURATION DOORS UP TO 800 LBS.

2-1/2" X 12 GA GALV. STEEL TRACK BRACKETS FASTENED TO WOOD JAMBS WITH 5/8" X 1-5/8" LAG SCREWS NOT TO EXCEED 14" ON-CENTER. MIN. OF (9) LAG SCREWS REQUIRED PER JAMB.

2" GALV. STEEL TRACK FASTENED TO 12 GA GALV. STEEL TRACK BRACKETS WITH EITHER (2) 1/4" DIA. RIVETS OR (1) 1/4" X 5/8" BOLT & NUT PER TRACK BRACKET.

1" DOOR OVERLAP (EACH SIDE)

OPTIONAL STOP MOULDING BY INSTALLER (TO SUIT).

16 GA GALV. STEEL DOUBLE-END-STILE FASTENED WITH (1) #8 X 1/2" WAFER SCREW. END STILE DIM: 5-3/4 X 2-1/8" X 3/8"

18 GA GALV. STEEL CENTER HINGE FASTENED TO INTER. STILES W/(4) EACH #14x5/8" SHEET METAL SCREWS.

14 GA GALV. STEEL ROLLER HINGES FASTENED TO END STILES W/(4) EACH #14x5/8" SHEET METAL SCREWS AND (2) 1/4" SELF TAPPING SCREWS PER END HINGE.

2" DIA. 7-1/2" LONG STEM, 10 BALL STEEL ROLLER WITH STEEL OR NYLON TIRE.

LHR BRACKET (2-1/2" X 5-3/4" X 12GA) ATTACHED WITH (2) 1/4" X 3/4" SELF TAPPING SCREWS. NOTE THAT LHR BRACKETS ARE ALSO USED WITH "DOUBLE END STILE" AS SHOWN IN ZONE B-3 SHEET 1.

DOUBLE TRACK (AVAILABLE FOR BOTH 2" AND 3" TRACK)

DOUBLE HORIZONTAL TRACK

STOP MOULDING BY DOOR INSTALLER (TO SUIT).

18 GA GALV. STEEL DOUBLE-END-STILE FASTENED WITH (1) #8 X 1/2" WAFER SCREW. END STILE DIM: 5-3/4 X 2-1/8" X 3/8"

7/16" I.D. ROUND FLASH NUT FASTENER

14 GA GALV. STEEL ROLLER HINGES FASTENED TO END STILES W/(4) EACH #14x5/8" SHEET METAL SCREWS

3" DIA. 8-1/2" LONG STEM BALL BEARING STEEL ROLLER.

DESIGN LOADS: +46.0 P.S.F. & -52.0 P.S.F.

TEST LOADS: +86.0 P.S.F. & -78.0 P.S.F.

UNLESS SPECIFIED OTHERWISE TOLERANCES ARE:

±.031

±.015

±.005

±.001

±1/2"

UNLESS STATED OTHERWISE DIMENSIONS ARE IN INCHES

DESIGN ENGINEER: MARK WESTERFIELD, P.E. FLORIDA P.E. #48498, INC P.E. #23832, TEXAS P.E. #91513

DESIGNER: MARK WESTERFIELD, P.E. FLORIDA P.E. #48498, INC P.E. #23832, TEXAS P.E. #91513

MANUFACTURING PRODUCT CODE: DSIE-1F171

PART NO.: N/A

W8 DP46

UNILOAD RATING

DESCRIPTION: 2" EPS INS. DOORS TO 162" (SEE TABLE FOR MODELS)

DRAWN BY: SH

CHECKED BY: SH

DATE: 10/12/12

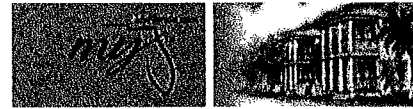
SCALE: NTS

SHEET 3 OF 3

SIZE: B

VER: IBC

2 FLORIDA PRODUCT APPROVAL 16107



DBPR HOME / ABOUT DBPR / DBPR DIVISIONS / CONTACT DBPR



[BCIS Home](#) |
 [Log In](#) |
 [User Registration](#) |
 [Hot Topics](#) |
 [Submit Surcharge](#) |
 [Stats & Facts](#)

[Publications](#) |
 [FBC Staff](#) |
 [BCIS Site Map](#) |
 [Links](#) |
 [Search](#)



Product Approval
USER: Public User

License efficiently. Regulate fairly.

[Product Approval Menu](#) >
 [Product or Application Search](#) >
 [Application List](#) >
 Application Detail



FL # FL4334-R6
Application Type Affirmation
Code Version 2010
Application Status Approved
Comments
Archived

Product Manufacturer Masonite International
Address/Phone/Email 1955 Powls Road
 West Chicago, IL 60185
 (615) 441-4258
 sschrelber@masonite.com

Authorized Signature Steve Schrelber
 sschrelber@masonite.com

Technical Representative
Address/Phone/Email

Quality Assurance Representative
Address/Phone/Email

Category Exterior Doors
Subcategory Swinging Exterior Door Assemblies

Compliance Method Certification Mark or Listing

Certification Agency National Accreditation & Management Institute
Validated By National Accreditation & Management Institute,

Referenced Standard and Year (of Standard)	Standard	Year
	TAS 201	1994
	TAS 202	1994
	TAS 203	1994

Equivalence of Product Standards
Certified By

I affirm that there are no changes in the new Florida Building Code which affect my product(s) and my product(s) are in compliance with the new Florida Building Code.

Documentation from approved Evaluation or Validation Entity Yes No N/A

Product Approval Method Method 1 Option A

Date Submitted 02/06/2012
Date Validated 02/06/2012
Date Pending FBC Approval

Date Approved

02/13/2012

Summary of Products		
FL #	Model, Number or Name	Description
4334.1	Fiberglass Side-hinged Door Units - Impact Rated	6'-8" Opaque I/S and O/S Single Door
Limits of Use Approved for use in HVHZ: Yes Approved for use outside HVHZ: Yes Impact Resistant: Yes Design Pressure: +70.0/-70.0 Other: Evaluated for use in locations adhering to the Florida Building Code including the High Velocity Hurricane Zone, and where pressure requirements as determined by ASCE 7, Minimum Design Loads for Buildings and Other Structures, does not exceed the design pressures listed 3'-0" x 6'-8" max nominal size Hurricane protective system is NOT required. See anchor detail DWG-MA-FL0120-05 for additional information		Certification Agency Certificate FL4334_R6_C_CAC_NI005930.01.PDF Quality Assurance Contract Expiration Date 04/30/2015 Installation Instructions FL4334_R6_II_FL0120.pdf Verified By: National Accreditation & Management Institute Created by Independent Third Party: Evaluation Reports FL4334_R6_AE_504A.pdf Created by Independent Third Party: Yes
4334.2	Fiberglass Side-hinged Door Units - Impact Rated	8'-0" Opaque I/S and O/S Single Door
Limits of Use Approved for use in HVHZ: Yes Approved for use outside HVHZ: Yes Impact Resistant: Yes Design Pressure: +70.0/-70.0 Other: Evaluated for use in locations adhering to the Florida Building Code including the High Velocity Hurricane Zone, and where pressure requirements as determined by ASCE 7, Minimum Design Loads for Buildings and Other Structures, does not exceed the design pressures listed 3'-0" x 8'-0" max nominal size Hurricane protective system is NOT required. See anchor detail DWG-MA-FL0121-05 for additional information		Certification Agency Certificate FL4334_R6_C_CAC_NI005930.02.PDF Quality Assurance Contract Expiration Date 04/30/2015 Installation Instructions FL4334_R6_II_FL0121.pdf Verified By: National Accreditation & Management Institute Created by Independent Third Party: Evaluation Reports FL4334_R6_AE_503A.pdf Created by Independent Third Party: Yes
4334.3	Fiberglass Side-hinged Door Units - Impact Rated	8'-0" Opaque O/S Door w/ or w/o Sidelites
Limits of Use Approved for use in HVHZ: Yes Approved for use outside HVHZ: Yes Impact Resistant: Yes Design Pressure: +55.0/-50.5 Other: Evaluated for use in locations adhering to the Florida Building Code including the High Velocity Hurricane Zone, and where pressure requirements as determined by ASCE 7, Minimum Design Loads for Buildings and Other Structures, does not exceed the design pressures listed, 12'-0" x 8'-0" max nominal size Hurricane protective system is NOT required. See anchor detail DWG-MA-FL0121-05 for additional information		Certification Agency Certificate FL4334_R6_C_CAC_NI005930.02.PDF Quality Assurance Contract Expiration Date 04/30/2015 Installation Instructions FL4334_R6_II_FL0121.pdf Verified By: National Accreditation & Management Institute Created by Independent Third Party: Evaluation Reports FL4334_R6_AE_501A.pdf Created by Independent Third Party: Yes
4334.4	Fiberglass Side-hinged Door Units - Impact Rated	8'-0" Opaque I/S Door w/ or w/o Sidelites
Limits of Use Approved for use in HVHZ: Yes Approved for use outside HVHZ: Yes Impact Resistant: Yes Design Pressure: +50.5/-50.5 Other: Evaluated for use in locations adhering to the Florida Building Code including the High Velocity Hurricane Zone, and where pressure requirements as determined by ASCE 7, Minimum Design Loads for Buildings and Other Structures, does not exceed the design pressures listed, 12'-0" x 8'-0" max nominal size Hurricane protective system is NOT required. See anchor detail DWG-MA-FL0121-05 for additional information		Certification Agency Certificate FL4334_R6_C_CAC_NI005930.02.PDF Quality Assurance Contract Expiration Date 04/30/2015 Installation Instructions FL4334_R6_II_FL0121.pdf Verified By: National Accreditation & Management Institute Created by Independent Third Party: Evaluation Reports FL4334_R6_AE_501A.pdf Created by Independent Third Party: Yes
4334.5	Fiberglass Side-hinged Door Units - Impact Rated	6'-8" Opaque O/S Door w/ or w/o Sidelites
Limits of Use Approved for use in HVHZ: Yes Approved for use outside HVHZ: Yes Impact Resistant: Yes Design Pressure: +55.0/-50.5 Other: Evaluated for use in locations adhering to the Florida Building Code including the High Velocity Hurricane Zone, and where pressure requirements as determined by ASCE 7, Minimum Design Loads for Buildings and Other Structures, does not exceed the design pressures listed 12'-0" x 6'-8" max nominal size Hurricane protective system is NOT required. See anchor detail DWG-MA-FL0120-05 for additional information		Certification Agency Certificate FL4334_R6_C_CAC_NI005930.01.PDF Quality Assurance Contract Expiration Date 04/30/2015 Installation Instructions FL4334_R6_II_FL0120.pdf Verified By: National Accreditation & Management Institute Created by Independent Third Party: Evaluation Reports FL4334_R6_AE_502A.pdf Created by Independent Third Party: Yes
4334.6	Fiberglass Side-hinged Door Units - Impact Rated	6'-8" Opaque I/S Door w/ or w/o Sidelites
Limits of Use Approved for use in HVHZ: Yes Approved for use outside HVHZ: Yes Impact Resistant: Yes Design Pressure: +50.5/-50.5 Other: Evaluated for use in locations adhering to the Florida Building Code including the High Velocity Hurricane Zone, and where pressure requirements as determined by ASCE 7, Minimum Design Loads for Buildings and Other Structures, does not exceed the design pressures listed 12'-0" x 6'-8" max nominal size Hurricane protective system is NOT required. See anchor detail DWG-MA-FL0120-05 for additional information		Certification Agency Certificate FL4334_R6_C_CAC_NI005930.01.PDF Quality Assurance Contract Expiration Date 04/30/2015 Installation Instructions FL4334_R6_II_FL0120.pdf Verified By: National Accreditation & Management Institute Created by Independent Third Party: Evaluation Reports FL4334_R6_AE_502A.pdf Created by Independent Third Party: Yes
4334.7	Fiberglass Side-hinged Door Units - Impact Rated	8'-0" Glazed I/S and O/S Door w/ or w/o Sidelites
Limits of Use Approved for use in HVHZ: Yes Approved for use outside HVHZ: Yes Impact Resistant: Yes Design Pressure: +50.0/-30.0 Other: Evaluated for use in locations adhering to the Florida Building Code including the High Velocity Hurricane Zone, and where pressure		Certification Agency Certificate FL4334_R6_C_CAC_NI005930.04.PDF Quality Assurance Contract Expiration Date 04/30/2015 Installation Instructions FL4334_R6_II_FL0123.pdf Verified By: National Accreditation & Management Institute

requirements as determined by ASCE 7, Minimum Design Loads for Buildings and Other Structures, does not exceed the design pressures listed. 12'-0" x 8'-0" max nominal size. Hurricane protective system is NOT required. See anchor detail DWG-MA-FL0123-05 for additional information.	Created by Independent Third Party: Evaluation Reports FL4334_R6_AE_501A.pdf Created by Independent Third Party: Yes
4334.8	Fiberglass Side-hinged Door Units - Impact Rated 6'-8" Glazed I/S and O/S Door w/ or w/o Sidelites
Limits of Use Approved for use in HVHZ: Yes Approved for use outside HVHZ: Yes Impact Resistant: Yes Design Pressure: +60.0/-60.0 Other: Evaluated for use in locations adhering to the Florida Building Code including the High Velocity Hurricane Zone, and where pressure requirements as determined by ASCE 7, Minimum Design Loads for Buildings and Other Structures, does not exceed the design pressures listed. 12'-0" x 6'-8" max nominal size. Hurricane protective system is NOT required. See anchor detail DWG-MA-FL0122-05 for additional information.	Certification Agency Certificate FL4334_R6_C_CAC_N1005930.03.PDF Quality Assurance Contract Expiration Date 04/30/2015 Installation Instructions FL4334_R6_II_FL0122.pdf Verified By: National Accreditation & Management Institute Created by Independent Third Party: Evaluation Reports FL4334_R6_AE_502A.pdf Created by Independent Third Party: Yes



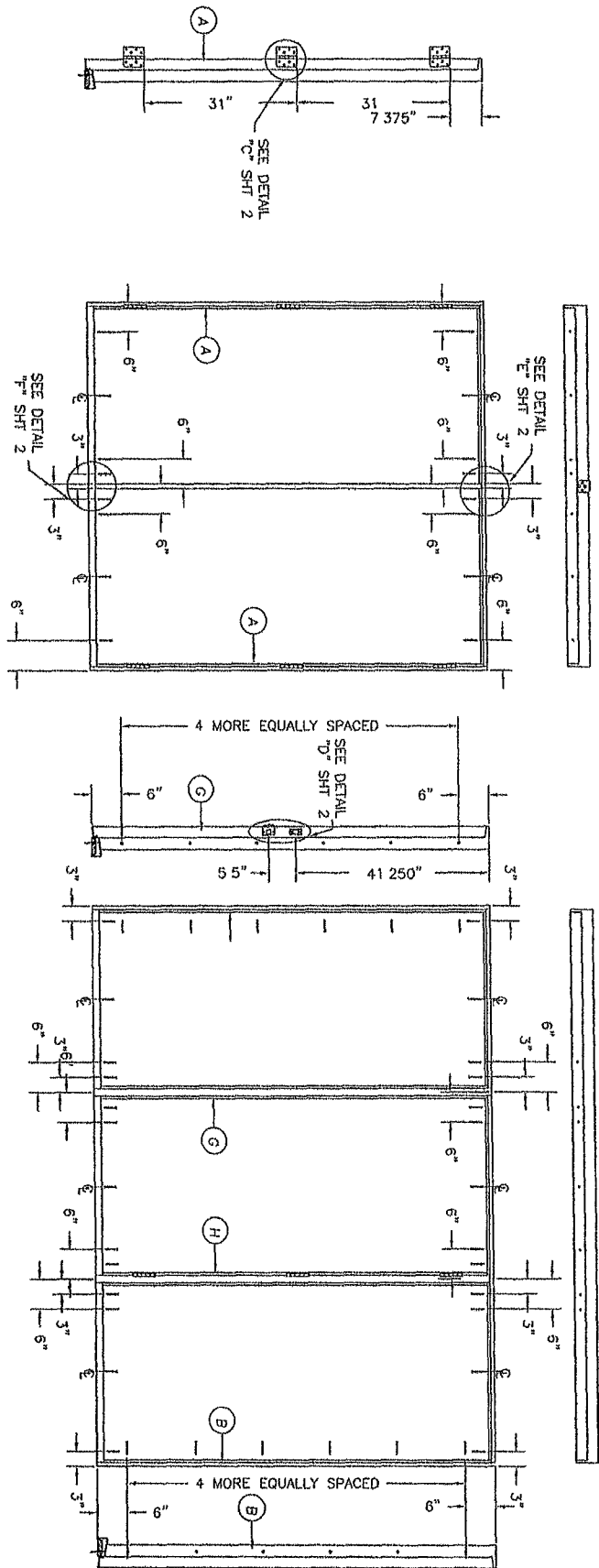
Contact Us [1940 North Monroe Street, Tallahassee FL 32399](#) Phone: 850-487-1824

The State of Florida is an AA/EEO employer [Copyright 2007-2013 State of Florida](#), [Privacy Statement](#), [Accessibility Statement](#), [Refund Statement](#)

Under Florida law, email addresses are public records. If you do not want your e-mail address released in response to a public-records request, do not send electronic mail to this entity. Instead, contact the office by phone or by traditional mail. If you have any questions, please contact 850.487.1395. Pursuant to Section 455.275 (1), Florida Statutes, effective October 1, 2012, licensees licensed under Chapter 455, F.S. must provide the Department with an email address if they have one. The emails provided may be used for official communication with the licensee. However email addresses are public record. If you do not wish to supply a personal address, please provide the Department with an email address which can be made available to the public. To determine if you are a licensee under Chapter 455, F.S., please click [here](#).

Product Approval Accepter



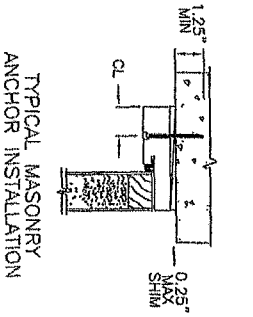
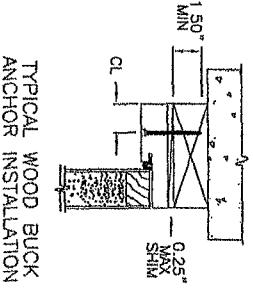


ATTACHMENT DETAIL

- ANCHOR ANALYSIS FOR LOADING CONDITIONS PREPARED, SIGNED AND SEALED BY ROBERTO LOMAS PE (FLORIDA #62514) WITH THE LOWEST (LEAST) FASTENER RATING FROM THE DIFFERENT FASTENERS BEING CONSIDERED FOR USE. JAMB, HEAD, AND THRESHOLD FASTENERS ANALYZED FOR THIS UNIT INCLUDE #10 WOOD SCREWS OR 3/16" TAPCONS. A PHYSICAL SHIM MUST BE PLACED IN SHIM SPACE AT EACH ANCHOR LOCATION
- THE WOOD SCREW SINGLE SHEAR DESIGN VALUES COME FROM ANSI/AF&PA NDA FOR SOUTHERN PINE LUMBER AND ACHIEVEMENT OF 1-1/2" MINIMUM EMBEDMENT. THE TAPCON MUST ACHIEVE MINIMUM EMBEDMENT OF 1-1/4"
- WOOD BUCKS BY OTHERS MUST BE ANCHORED PROPERLY TO TRANSFER LOADS TO STRUCTURE
- MINIMUM DESIGN VALUE STRENGTH OF ANCHORS 171 LBS

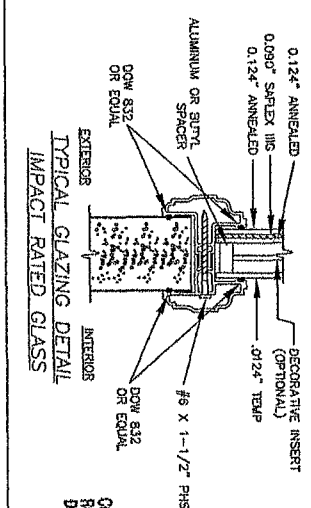
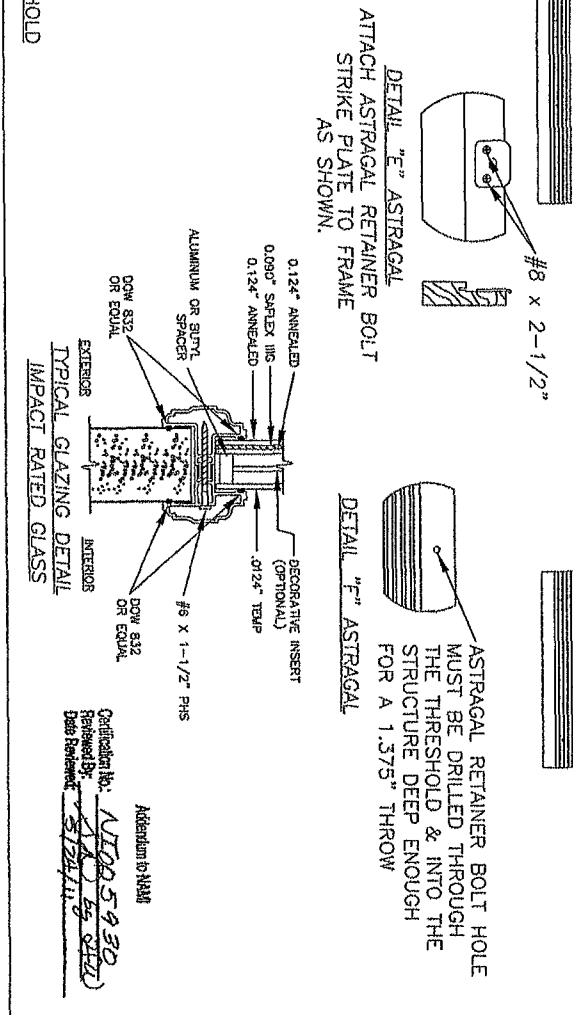
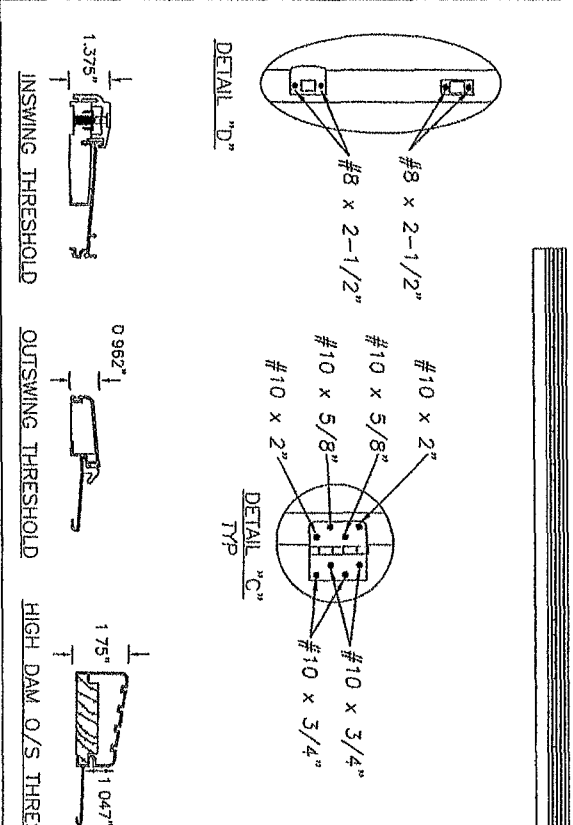
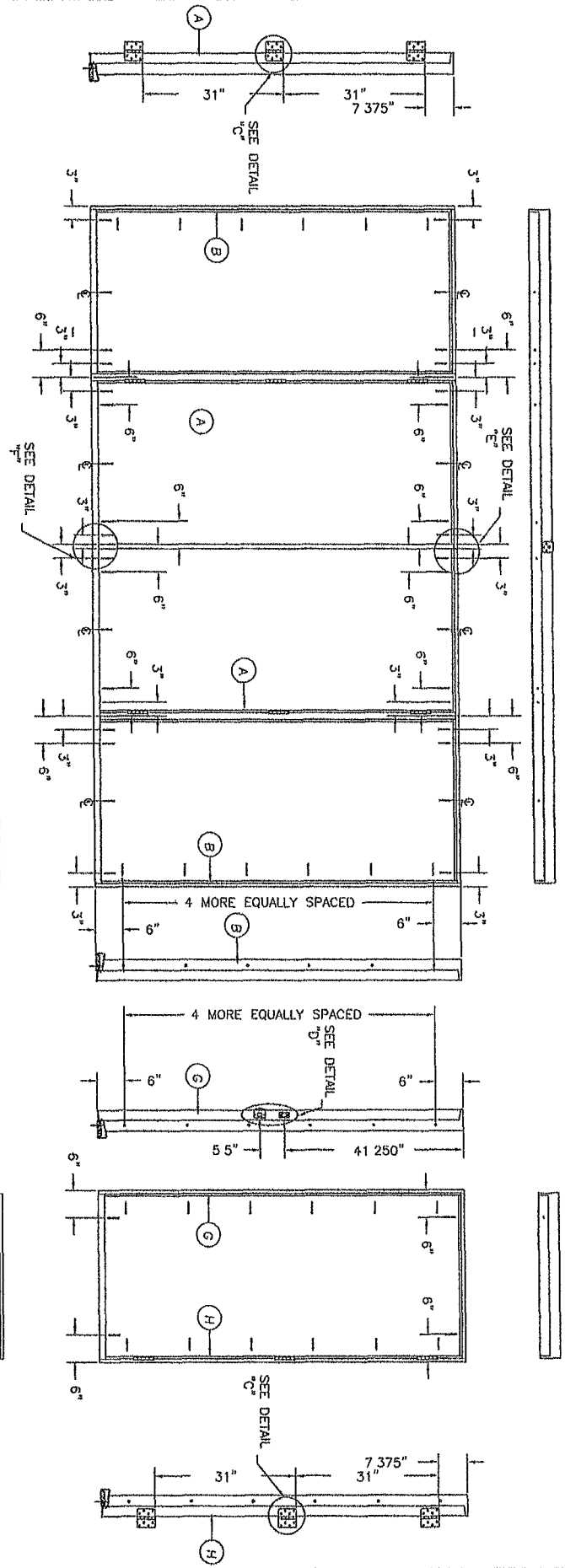
HARDWARE SCHEDULE

1	KWIKSET SERIES 400 GRADE 3 CYLINDRICAL LATCH AND SERIES 980 GRADE 1 DEADLOCK HARDWARE TO BE INSTALLED AT 5-1/2" CENTERLINE
2	4" X 4" FULL MORTISE BUTT HINGES



Certification No. **AL100 5930**
 Issued By: **DAVID B. SWEET**
 Date Expiration: **8/28/11**
 Addendum to NMIH

SHEET 3 OF 3 DRAWING NO. DWG-MA-FL0120-05 CHK. BY: SWS DATE: 2/11/05 SCALE: N.T.S. DWG. BY: SWS	<table border="1"> <tr> <th>NO.</th> <th>DATE</th> <th>REVISIONS</th> <th>BY</th> </tr> <tr> <td>1</td> <td>12/15/08</td> <td>ADDED SPACER</td> <td>SWS</td> </tr> <tr> <td>2</td> <td>1/2/08</td> <td>HINGE SCREW LENGTH</td> <td>SWS</td> </tr> <tr> <td>3</td> <td>4/9/07</td> <td>GENERAL REVISIONS</td> <td>SWS</td> </tr> <tr> <td>4</td> <td>4/25/05</td> <td>ANCHORS & PLASTICS</td> <td>SWS</td> </tr> <tr> <td>5</td> <td>3/1/05</td> <td>FLORIDA CHANGES</td> <td>SWS</td> </tr> <tr> <td>6</td> <td>2/22/05</td> <td>ADDED GLASS DETAIL</td> <td>SWS</td> </tr> </table>	NO.	DATE	REVISIONS	BY	1	12/15/08	ADDED SPACER	SWS	2	1/2/08	HINGE SCREW LENGTH	SWS	3	4/9/07	GENERAL REVISIONS	SWS	4	4/25/05	ANCHORS & PLASTICS	SWS	5	3/1/05	FLORIDA CHANGES	SWS	6	2/22/05	ADDED GLASS DETAIL	SWS	PRODUCT "EXTERIOR DOOR PRODUCT" 6"-8" FIBERGLASS OPAQUE DOUBLE DOOR UNIT PART OR ASSEMBLY: ANCHORING LOCATIONS & DETAILS BY:	MASONITE INTERNATIONAL CORP. 1955 POWIS RD WEST CHICAGO, IL 60185
NO.	DATE	REVISIONS	BY																												
1	12/15/08	ADDED SPACER	SWS																												
2	1/2/08	HINGE SCREW LENGTH	SWS																												
3	4/9/07	GENERAL REVISIONS	SWS																												
4	4/25/05	ANCHORS & PLASTICS	SWS																												
5	3/1/05	FLORIDA CHANGES	SWS																												
6	2/22/05	ADDED GLASS DETAIL	SWS																												



Addendum to N.M.I.
 Certificate No. **N1005930**
 Reviewed By: **W.A. By (S)**
 Date Reviewed: **5/21/11**

REVISIONS	DATE	DESCRIPTION	BY
F	12/15/08	ADDED SPACER	SWS
F	1/2/08	HINGE SCREW LENGTH	SWS
D	4/9/07	GENERAL REVISIONS	SWS
C	4/25/05	ANCHORS & PLASTICS	SWS
B	3/1/05	FLORIDA CHANGES	SWS
A	2/22/05	ADDED GLASS DETAIL	SWS
NO			BY

DATE: 2/11/05 SCALE: N.T.S. DWG. BY: SWS CHK. BY: SWS	PRODUCT: "EXTERIOR DOOR PRODUCT" 6"-8" FIBERGLASS OPAQUE DOUBLE DOOR UNIT PART OR ASSEMBLY: ANCHORING LOCATIONS & DETAILS	MASONITE INTERNATIONAL CORP 1955 POWIS RD. WEST CHICAGO, IL 60185
----------------------------------------------------------------	---------------------------------------------------------------------------------------------------------------------------------------------	-------------------------------------------------------------------------

Masonite®

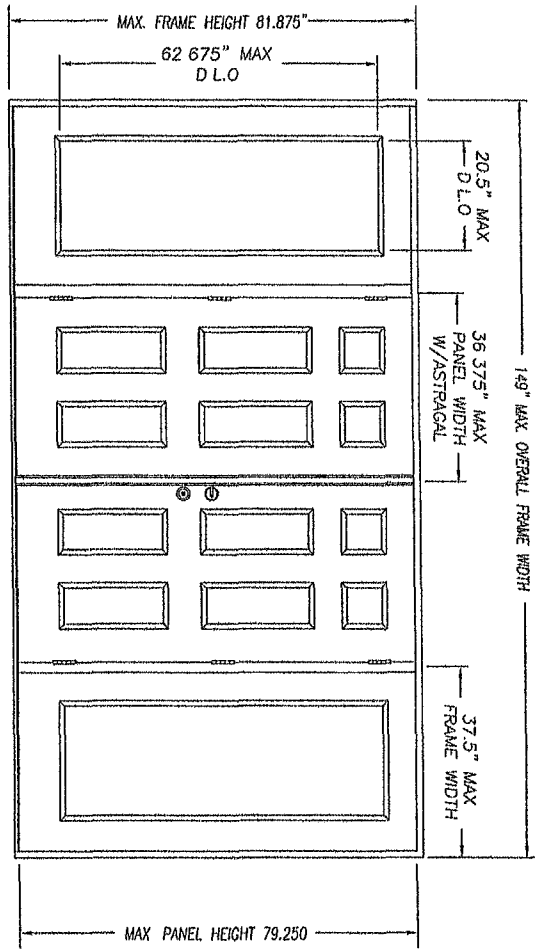
HURRICANE BELLEVILLE FIBERGLASS DOOR UNIT 6'-8" DOUBLE DOOR WITH / WITHOUT SIDELITES

GENERAL NOTES

1. EVALUATED FOR USE IN LOCATIONS ADHERING TO THE FLORIDA BUILDING CODE AND WHERE PRESSURE REQUIREMENTS AS DETERMINED BY ASCE 7 MINIMUM DESIGN LOADS FOR BUILDINGS APPLIED TO STRUCTURES DOES NOT EXCEED THE DESIGN PRESSURES LISTED.
2. THIS PRODUCT DOES NOT REQUIRE THE USE OF A HURRICANE PROTECTIVE DEVICE (SHUTTERS).
3. POLYURETHANE CORE FLAME SPREAD INDEX OF 50 AND SMOKE DEVELOPED INDEX OF 60 PER ASTM E84.
4. PLASTICS TESTING OF FIBERGLASS FACING:

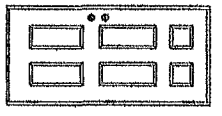
TEST DESCRIPTION	DESIGNATION	RESULT
SELF IGNITION TEMP	ASTM D1929	752 °F > 650 °F
RATE OF BURNING	ASTM D635	0.56 IN./MIN (C-1)
SMOKE DENSITY	ASTM D2843	53.4%
TENSILE STRENGTH*	ASTM D638	3.2% DIFF

* COMPARATIVE TENSILE STRENGTH AFTER WEATHERING 4500 HOURS XENON ARC METHOD 1

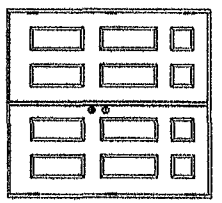


DOUBLE DOOR UNIT W/ SIDELITES

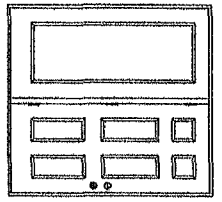
Advertisement to NMAH
 Certification No. N1005930
 Issued By: SAJ by SWS
 Date Issued: 8/24/11



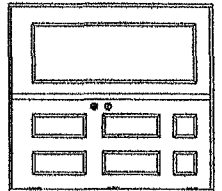
SINGLE DOOR UNIT



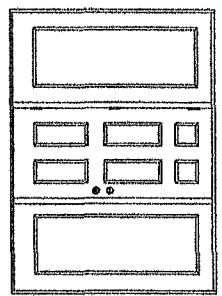
DOUBLE DOOR UNIT



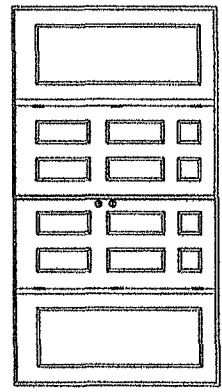
SINGLE DOOR UNIT WITH SIDELITE



SINGLE DOOR UNIT WITH SIDELITE



SINGLE DOOR UNIT W/ SIDELITES



DOUBLE DOOR UNIT W/ SIDELITES

TABLE OF CONTENTS

SHEET #	DESCRIPTION
1	TYPICAL ELEVATIONS & GENERAL NOTES
2	ANCHOR LOCATIONS & DETAILS
3	ANCHORING LOCATIONS & DETAILS

CONFG	MAX WIDTH	DESIGN PRESSURE RATING		WHERE WATER INFILTRATION PERFORMANCE IS REQUIRED TO BE 15% OF DESIGN PRESSURE	
		INSWING	OUTSWING	INSWING	OUTSWING*
X	37.5"	+70.0 / -70.0	+70.0 / -70.0	+19.0 / -19.0	+70.0 / -70.0
XX	74"	+50.5 / -50.5	+55.0 / -50.5	+19.0 / -19.0	+40.0 / -40.0
OX or XO	75"	+50.5 / -50.5	+50.5 / -50.5	+19.0 / -19.0	+40.0 / -40.0
OXO	112.5"	+50.5 / -50.5	+55.0 / -50.5	+19.0 / -19.0	+40.0 / -40.0
OXOX	149"	+50.5 / -50.5	+55.0 / -50.5	+19.0 / -19.0	+40.0 / -40.0

* High Dam Threshold Design

Handwritten initials/signature

KURT BALTAZOR
 FLORIDA P E
 #55533

DATE	BY	REVISIONS	PRODUCT
12/15/08	SWS	ADDED SPACER	"EXTERIOR DOOR PRODUCT" DOUBLE 6'8" OPAQUE FIBERGLASS DOOR PART OR ASSEMBLY: TYPICAL ELEVATIONS & GENERAL NOTES
1/2/08	SWS	HINGE SCREW LENGTH	
4/9/07	SWS	GENERAL REVISIONS	
4/25/05	SWS	ANCHORS & PLASTICS	
3/1/05	SWS	FLORIDA CHANGES	
2/22/05	SWS	ADDED GLASS DETAIL	
NO.	DATE	BY	

MASONITE INTERNATIONAL CORP
 1955 POWIS RD.
 WEST CHICAGO, IL 60185



[BCIS Home](#) | [Log In](#) | [User Registration](#) | [Hot Topics](#) | [Submit Surcharge](#) | [Stats & Facts](#) | [Publications](#) | [FBC Staff](#) | [BCIS Site Map](#) | [Links](#) | [Search](#)



[Product Approval Menu](#) > [Product or Application Search](#) > [Application List](#)



Search Criteria

[Refine Search](#)

Code Version	2010 FL#	ALL
Application Type	ALL Product Manufacturer	Simpson Strong-Tie Co
Category	ALL Subcategory	ALL
Application Status	ALL Compliance Method	ALL
Quality Assurance Entity	ALL Quality Assurance Entity Contract Expired	ALL
Product Model, Number or Name	ALL Product Description	ALL
Approved for use in HVHZ	ALL Approved for use outside HVHZ	ALL
Impact Resistant	ALL Design Pressure	ALL
Other	ALL	

Search Results - Applications

Go to Page [GO](#) Page 3 / 5

FL#	Type	Manufacturer	Validated By	Status
FL10865-R2 History	Editorial Change	Simpson Strong-Tie Co. Category: Structural Components Subcategory: Wood Connectors	Jeffrey P. Arneson, P.E. (904) 223-4899	Approved
FL10866-R2 History	Editorial Change	Simpson Strong-Tie Co. Category: Structural Components Subcategory: Wood Connectors	Jeffrey P. Arneson, P.E. (904) 223-4899	Approved
FL11166-R2 History	Editorial Change	Simpson Strong-Tie Co. Category: Structural Components Subcategory: Wood Connectors	Jeffrey P. Arneson, P.E. (904) 223-4899	Approved
FL11169-R2 History	Editorial Change	Simpson Strong-Tie Co. Category: Structural Components Subcategory: Wood Connectors	Jeffrey P. Arneson, P.E. (904) 223-4899	Approved
FL11468-R2 History	Editorial Change	Simpson Strong-Tie Co. Category: Structural Components Subcategory: Wood Connectors	Mark R. Barrow, PE (850) 501-0005	Approved
FL11470-R2 History	Editorial Change	Simpson Strong-Tie Co. Category: Structural Components Subcategory: Wood Connectors	Mark R. Barrow, PE (850) 501-0005	Approved
FL11473-R2 History	Editorial Change	Simpson Strong-Tie Co. Category: Structural Components Subcategory: Wood Connectors	Mark R. Barrow, PE (850) 501-0005	Approved
FL11478-R2 History	Affirmation	Simpson Strong-Tie Co. Category: Structural Components Subcategory: Wood Connectors	Jeffrey P. Arneson, P.E. (904) 223-4899	Approved
FL11496-R2 History	Editorial Change	Simpson Strong-Tie Co. Category: Structural Components Subcategory: Wood Connectors	Jeffrey P. Arneson, P.E. (904) 223-4899	Approved
FL12708-R2 History	Affirmation	Simpson Strong-Tie Co. Category: Structural Components Subcategory: Wood Connectors	Jeffrey P. Arneson, P.E. (904) 821-5200	Approved
FL13326-R2 History	Editorial Change	Simpson Strong-Tie Co. Category: Structural Components Subcategory: Wood Connectors	Jeffrey P. Arneson, P.E. (904) 821-5200	Approved

Go to Page [GO](#) Page 3 / 5

*Approved by DBPR. Approvals by DBPR shall be reviewed and ratified by the POC and/or the Commission if necessary

Contact Us 1940 North Monroe Street, Tallahassee FL 32399 Phone: 850-487-1824

The State of Florida is an AA/EEO employer [Copyright 2007-2013 State of Florida](#), [Privacy Statement](#) [Accessibility Statement](#) [Refund Statement](#)
Under Florida law, email addresses are public records. If you do not want your e-mail address released in response to a public-records request, do not send

electronic mail to this entity. Instead, contact the office by phone or by traditional mail. If you have any questions, please contact 850 487 1395. *Pursuant to Section 455 275(1), Florida Statutes, effective October 1, 2012, licensees licensed under Chapter 455, F.S. must provide the Department with an email address if they have one. The emails provided may be used for official communication with the licensee. However email addresses are public record. If you do not wish to supply a personal address, please provide the Department with an email address which can be made available to the public. To determine if you are a licensee under Chapter 455, F.S., please click [here](#).

Product Approval Accepts:





[BCIS Home](#) |
 [Log In](#) |
 [User Registration](#) |
 [Hot Topics](#) |
 [Submit Surcharge](#) |
 [Stats & Facts](#) |
 [Publications](#) |
 [FBC Staff](#) |
 [BCIS Site Map](#) |
 [Links](#) |
 [Search](#)



Product Approval
USER: Public User

License efficiently. Regulate fairly.

[Product Approval Menu](#) >
 [Product or Application Search](#) >
 [Application List](#) >
 Application Detail



FL #	FL1814-R6						
Application Type	Revision						
Code Version	2010						
Application Status	Approved						
Comments	*Approved by DBPR. Approvals by DBPR shall be reviewed and ratified by the POC and/or the Commission if necessary						
Archived	<input type="checkbox"/>						
Product Manufacturer Address/Phone/Email	WOODLAND INDUSTRIES, INC 1520 KALAMAZOO DRIVE GRIFFIN, GA 30224 (770) 228-6102 dina.crownover@gmail.com						
Authorized Signature	DINA CROWNOVER dina.crownover@gmail.com						
Technical Representative Address/Phone/Email	DINA CROWNOVER 1520 KALAMAZOO DRIVE GRIFFIN, GA 30224 DPCWOODLAND@AOL.COM						
Quality Assurance Representative Address/Phone/Email							
Category	Roofing						
Subcategory	Underlayments						
Compliance Method	Certification Mark or Listing						
Certification Agency	Miami-Dade BCCO - CER						
Validated By	Miami-Dade BCCO - VAL						
Referenced Standard and Year (of Standard)	<table border="0"> <thead> <tr> <th><u>Standard</u></th> <th><u>Year</u></th> </tr> </thead> <tbody> <tr> <td>ASTM D 4869</td> <td>2005</td> </tr> <tr> <td>ASTM D-226</td> <td>2006</td> </tr> </tbody> </table>	<u>Standard</u>	<u>Year</u>	ASTM D 4869	2005	ASTM D-226	2006
<u>Standard</u>	<u>Year</u>						
ASTM D 4869	2005						
ASTM D-226	2006						
Equivalence of Product Standards Certified By	Approved Certification Agency FL1814 R6 Equiv Florida Approval8.pdf FL1814 R6 Equiv Florida Approval9.pdf FL1814 R6 Equiv NOA new.pdf						
Product Approval Method	Method 1 Option A						
Date Submitted	02/14/2012						
Date Validated	02/24/2012						

Date Pending FBC Approval
Date Approved

02/29/2012

Summary of Products

FL #	Model, Number or Name	Description
1814.1	# 30 ASTM D 4869 Type I	Asphalt saturated organic felt
Limits of Use Approved for use in HVHZ: No Approved for use outside HVHZ: Yes Impact Resistant: N/A Design Pressure: N/A Other: For use under discontinuous roof i.e. asphalt shingles with slope greater than 2:12		Certification Agency Certificate FL1814_R6_C_CAC_Florida_Approval8.pdf FL1814_R6_C_CAC_Florida_Approval9.pdf Quality Assurance Contract Expiration Date 10/07/2014 Installation Instructions FL1814_R6_II_Florida_Approval8.pdf FL1814_R6_II_Florida_Approval9.pdf Verified By: Miami-Dade BCCO - CER Created by Independent Third Party: Evaluation Reports Created by Independent Third Party
1814.2	#15 ASTM D 4869 Type I	Asphalt saturated organic felt
Limits of Use Approved for use in HVHZ: No Approved for use outside HVHZ: Yes Impact Resistant: N/A Design Pressure: N/A Other: For use under discontinuous roof i.e. asphalt shingles with slope greater than 2:12		Certification Agency Certificate FL1814_R6_C_CAC_Florida_Approval8.pdf FL1814_R6_C_CAC_Florida_Approval9.pdf Quality Assurance Contract Expiration Date 10/07/2014 Installation Instructions FL1814_R6_II_Florida_Approval8.pdf FL1814_R6_II_Florida_Approval9.pdf Verified By: Miami-Dade BCCO - CER Created by Independent Third Party: Evaluation Reports Created by Independent Third Party:
1814.3	#15 ASTM D226 Type I	Asphalt saturated organic felt
Limits of Use Approved for use in HVHZ: Yes Approved for use outside HVHZ: Yes Impact Resistant: N/A Design Pressure: N/A Other: For use under discontinuous roof i.e. asphalt shingles with slope greater than 2:12		Certification Agency Certificate FL1814_R6_C_CAC_NOA_new.pdf Quality Assurance Contract Expiration Date 04/12/2016 Installation Instructions FL1814_R6_II_NOA_new.pdf Verified By: Miami-Dade BCCO - CER Created by Independent Third Party: Evaluation Reports Created by Independent Third Party:
1814.4	#30 ASTM D-226 TYPE II	Asphalt saturated organic felt
Limits of Use Approved for use in HVHZ: Yes Approved for use outside HVHZ: Yes Impact Resistant: N/A Design Pressure: N/A Other: For use under discontinuous roof i.e. asphalt shingles with slope greater than 2.12		Certification Agency Certificate FL1814_R6_C_CAC_NOA_new.pdf Quality Assurance Contract Expiration Date 04/12/2016 Installation Instructions FL1814_R6_II_NOA_new.pdf Verified By: Miami-Dade BCCO - CER Created by Independent Third Party: Evaluation Reports Created by Independent Third Party:

[Back](#) [Next](#)

[Contact Us](#) 1940 North Monroe Street, Tallahassee FL 32399 Phone: 850-487-1824

The State of Florida is an AA/EEO employer [Copyright 2007-2013 State of Florida](#), [Privacy Statement](#) [Accessibility Statement](#) [Refund Statement](#)

Under Florida law, email addresses are public records. If you do not want your e-mail address released in response to a public-records request, do not send electronic mail to this entity. Instead, contact the office by phone or by traditional mail. If you have any questions, please contact 850.487.1395. *Pursuant to Section 455.275(1), Florida Statutes, effective October 1, 2012, licensees licensed under Chapter 455, F.S. must provide the Department with an email address if they have one. The emails provided may be used for official communication with the licensee. However email addresses are public record. If you do not wish to supply a personal address, please provide the Department with an email address which can be made available to the public. To determine if you are a licensee under Chapter 455, F.S., please click [here](#).

Product Approval Accepts:





NON-HVHZ

BUILDING CODE COMPLIANCE OFFICE (BCCO)
PRODUCT CONTROL DIVISION

MIAMI-DADE COUNTY, FLORIDA
METRO-DADE FLAGLER BUILDING
140 WEST FLAGLER STREET, SUITE 1603
MIAMI, FLORIDA 33130-1563
(305) 375-2901 FAX (305) 375-2908

NOTICE OF ACCEPTANCE (NOA)

Woodland Industries, Inc.
1520 Kalamazoo Drive
Griffin, GA 30224

SCOPE:

This NOA is being issued under the applicable rules and regulations governing the use of construction materials. The documentation submitted has been reviewed by Miami-Dade County Product Control Division and accepted by the Board of Rules and Appeals (BORA) to be used in **NON-High Velocity Hurricane Zone (NON-HVHZ)** areas where allowed by the Authority Having Jurisdiction (AHJ).

This NOA shall not be valid after the expiration date stated below. The Miami-Dade County Product Control Division (In Miami Dade County) and/or the AHJ (in areas other than Miami Dade County) reserve the right to have this product or material tested for quality assurance purposes. If this product or material fails to perform in the accepted manner, the manufacturer will incur the expense of such testing and the AHJ may immediately revoke, modify, or suspend the use of such product or material within their jurisdiction. BORA reserves the right to revoke this acceptance, if it is determined by Miami-Dade County Product Control Division that this product or material fails to meet the requirements of the applicable building code.

This product is approved as described herein, and has been designed to comply with the **NON-High Velocity Hurricane Zone (NON-HVHZ)** of the Florida Building Code.

DESCRIPTION: Woodland Industries, Inc. ASTM D 4869 Underlayments

LABELING: Each unit shall bear a permanent label with the manufacturer's name or logo, city, state and following statement: "NON-HVHZ Miami-Dade County Product Control Approved", unless otherwise noted herein

RENEWAL of this NOA shall be considered after a renewal application has been filed and there has been no change in the applicable building code negatively affecting the performance of this product.

TERMINATION of this NOA will occur after the expiration date or if there has been a revision or change in the materials, use, and/or manufacture of the product or process. Misuse of this NOA as an endorsement of any product, for sales, advertising or any other purposes shall automatically terminate this NOA. Failure to comply with any section of this NOA shall be cause for termination and removal of NOA.

ADVERTISEMENT: The NOA number preceded by the words **NON-HVHZ** and followed by the expiration date may be displayed in advertising literature. If any portion of the NOA is displayed, then it shall be done in its entirety.

INSPECTION: A copy of this entire NOA shall be provided to the user by the manufacturer or its distributors and shall be available for inspection at the job site at the request of the Building Official.

This NOA consists of pages 1 through 2.

The submitted documentation was reviewed by Alex Tigera.



NOA No.: 09-0818.23
Expiration Date: 10/07/14
Approval Date: 10/07/09
Page 1 of 2



Florida Department of
Business & Professional
Regulation

[BCIS Home](#) | [Log In](#) | [User Registration](#) | [Hot Topics](#) | [Submit Surcharge](#) | [Stats & Facts](#) | [Publications](#) | [FBC Staff](#) | [BCIS Site Map](#) | [Links](#) | [Search](#)



License efficiently. Regulate fairly.
OFFICE OF THE SECRETARY

[Product Approval Menu](#) > [Product or Application Search](#) > [Application List](#) > **Application Detail**

FL #	FL2197-R4				
Application Type	Revision				
Code Version	2010				
Application Status	Approved				
Comments					
Archived	<input type="checkbox"/>				
Product Manufacturer	MiTek Industries, Inc.				
Address/Phone/Email	14515 North Outer Fourty Drive Suite 300 Chesterfield, MO 63017-5746 (314) 851-7480 Ext 7480 dwert@mli.com				
Authorized Signature	David Wert david.c.wert@mli.com				
Technical Representative	David Wert				
Address/Phone/Email	14515 North Outer Fourty Drive Suite 300 Chesterfield, MO 630175746 (314) 851-7480 dwert@mli.com				
Quality Assurance Representative	David Wert				
Address/Phone/Email	14515 North Outer Forty Suite 300 Chesterfield, MO 63017 (314) 851-7480 dwert@mli.com				
Category	Structural Components				
Subcategory	Truss Plates				
Compliance Method	Evaluation Report from a Product Evaluation Entity				
Evaluation Entity	ICC Evaluation Service, LLC				
Quality Assurance Entity	Quality Auditing-Institute Ltd.				
Quality Assurance Contract Expiration Date	01/01/2015				
Validated By	ICC Evaluation Service, LLC				
Certificate of Independence	FL2197_R4_COI_Certificate of Independence - ICC-ES.pdf				
Referenced Standard and Year (of Standard)	<table border="0"> <tr> <td>Standard</td> <td>Year</td> </tr> <tr> <td>ANSI/TPI 1</td> <td>2007</td> </tr> </table>	Standard	Year	ANSI/TPI 1	2007
Standard	Year				
ANSI/TPI 1	2007				
Equivalence of Product Standards Certified By					
Sections from the Code					

Product Approval Method Method 1 Option C

Date Submitted 12/01/2011
 Date Validated 02/27/2012
 Date Pending FBC Approval 03/05/2012
 Date Approved 04/03/2012

Summary of Products

FL #	Model, Number or Name	Description
2197.1	M18SHS	18 ga. super high strength truss connector plate
Limits of Use Approved for use in HVHZ: Yes Approved for use outside HVHZ: Yes Impact Resistant: N/A Design Pressure: N/A Other: Can use HVHZ per ICC-ES ESR-1988 Supplemental for the Florida Building Code		Installation Instructions FL2197_R4_II_InstallationESR-1988_April2011.pdf Verified By: ICC Evaluation Service, LLC Created by Independent Third Party Evaluation Reports FL2197_R4_AE_ICC-ES ESR-1988_2012Feb.pdf
2197.2	MII 16	16 ga. truss connector plate
Limits of Use Approved for use in HVHZ: Yes Approved for use outside HVHZ: Yes Impact Resistant: N/A Design Pressure: N/A Other: Can use HVHZ per ICC-ES ESR-1311 Supplemental for the Florida Building Code		Installation Instructions FL2197_R4_II_InstallationESR-1311_Nov2011.pdf Verified By: ICC Evaluation Service, LLC Created by Independent Third Party Evaluation Reports FL2197_R4_AE_ICC-ES ESR-1311_2012Feb.pdf
2197.3	MT18HS	18 ga. high strength truss connector plate
Limits of Use Approved for use in HVHZ: Yes Approved for use outside HVHZ: Yes Impact Resistant: N/A Design Pressure: N/A Other: Can use HVHZ per ICC-ES ESR-1988 Supplemental for the Florida Building Code		Installation Instructions FL2197_R4_II_InstallationESR-1988_April2011.pdf Verified By: ICC Evaluation Service, LLC Created by Independent Third Party Evaluation Reports FL2197_R4_AE_ICC-ES ESR-1988_2012Feb.pdf
2197.4	MT20	20 ga. truss connector plate
Limits of Use Approved for use in HVHZ: Yes Approved for use outside HVHZ: Yes Impact Resistant: N/A Design Pressure: N/A Other: Can use HVHZ per ICC-ES ESR-1988 Supplemental for the Florida Building Code		Installation Instructions FL2197_R4_II_InstallationESR-1988_April2011.pdf Verified By: ICC Evaluation Service, LLC Created by Independent Third Party Evaluation Reports FL2197_R4_AE_ICC-ES ESR-1988_2012Feb.pdf
2197.5	MT20HS	20 ga. high strength truss connector plate
Limits of Use Approved for use in HVHZ: Yes Approved for use outside HVHZ: Yes Impact Resistant: N/A Design Pressure: N/A Other: Can use HVHZ per ICC-ES ESR-1311 Supplemental for the Florida Building Code.		Installation Instructions FL2197_R4_II_InstallationESR-1311_Nov2011.pdf Verified By: ICC Evaluation Service, LLC Created by Independent Third Party Evaluation Reports FL2197_R4_AE_ICC-ES ESR-1311_2012Feb.pdf

[Back](#) [Next](#)

Contact Us 1940 North Monroe Street, Tallahassee FL 32399 Phone: 850-487-1824

The State of Florida is an AA/EEO employer [Copyright 2007-2013 State of Florida.](#) [Privacy Statement](#) [Accessibility Statement](#) [Refund Statement](#)

Under Florida law, email addresses are public records. If you do not want your e-mail address released in response to a public-records request, do not send electronic mail to this entity. Instead, contact the office by phone or by traditional mail. If you have any questions, please contact 850.487.1395 *Pursuant to Section 45S 275(1), Florida Statutes, effective October 1, 2012, licensees licensed under Chapter 455, F.S. must provide the Department with an email address if they have one. The emails provided may be used for official communication with the licensee. However email addresses are public record. If you do not wish to supply a personal address, please provide the Department with an email address which can be made available to the public. To determine if you are a licensee under Chapter 455, F.S., please click [here](#).

Product Approval Accepts:



Excerpt from ICC-ES ESR-1311, Revised November 2011

INSTALLATION

All truss plates are pressed into the wood for the full depth of their teeth by hydraulic-platen embedment presses, multiple roller presses that use partial embedment followed by full-embedment rollers, or combinations of partial embedment roller presses and hydraulic-platen presses that feed trusses into a stationary finish roller press. Trusses must be assembled within the tolerances specified in ANSI/TPI 1, Chapter 3, Quality Criteria for the Manufacture of Metal-Plate-Connected Wood Trusses.