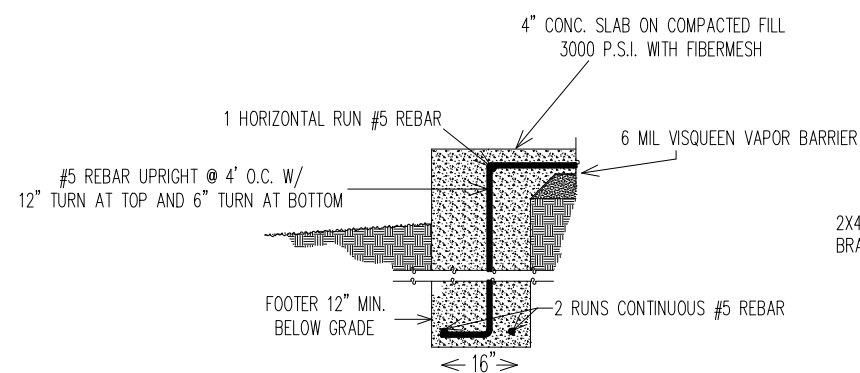
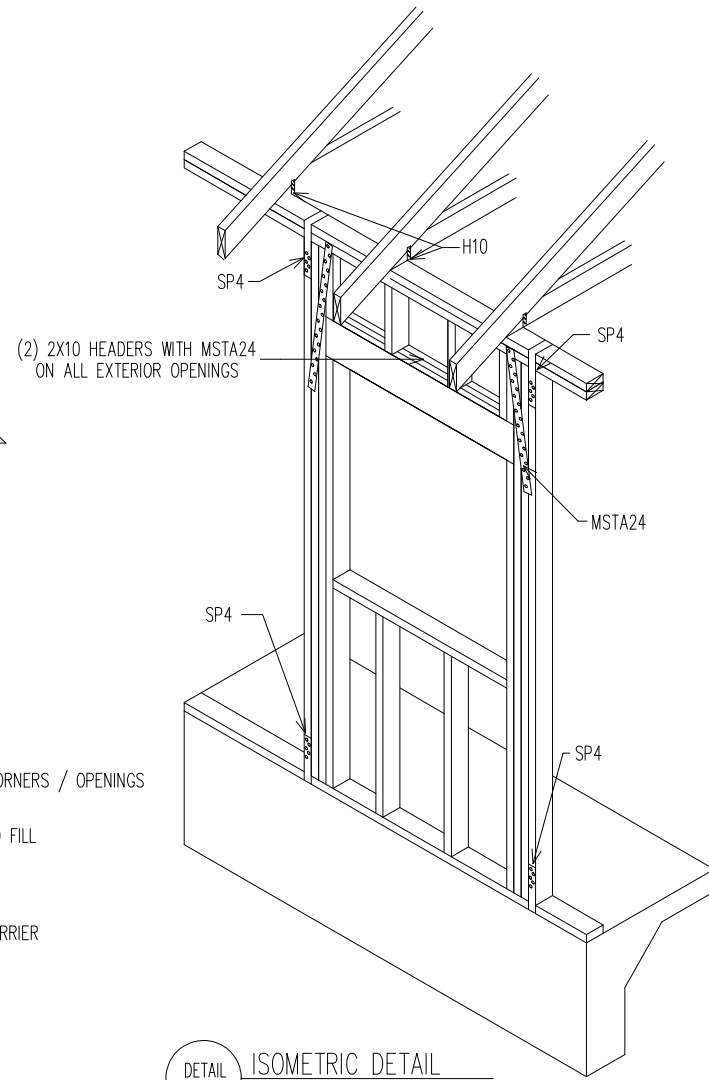


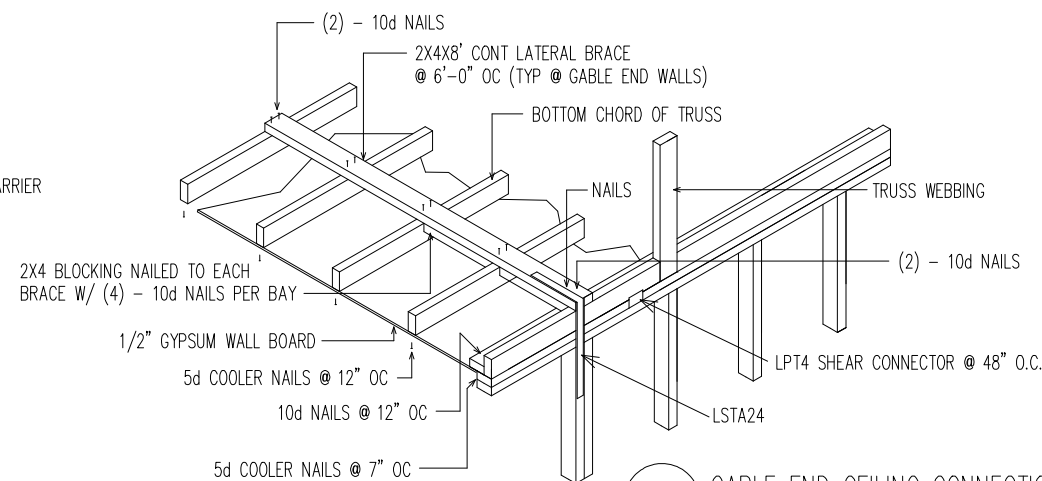
DETAIL "B" WALL SECTION FOR 120 WINDLOAD



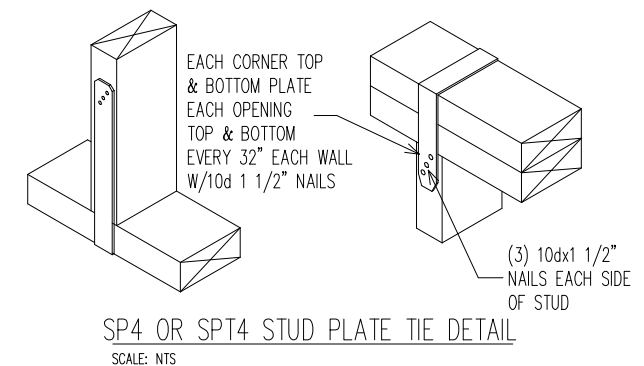
DETAIL "B2" FOOTER DETAIL FOR >16" SLAB ABOVE GRADE



DETAIL "D" ISOMETRIC DETAIL SCALE: NTS



DETAIL "C" GABLE END CEILING CONNECTION DETAIL SCALE: NTS



SCALE: NTS

GENERAL NOTES:

- DESIGN LOAD  
 1. LIVE LOAD = 40 PSF  
 2. DEAD LOAD = 15 PSF  
 3. WIND LOADS  
 BASIC WIND SPEED 120 MPH (3 SEC. GUST)  
 IMPORTANCE (I) = 1.0  
 WIND EXPOSURE = "B"  
 INTERNAL PRESSURE = 5 +/- PSF  
 ROOF COMPONENTS AND CLADDING = 60 +/- PSF  
 WALL COMPONENTS AND CLADDING = 30 +/- PSF

SPECIFICATIONS

DESIGN MATERIAL AND WORKMANSHIP SHALL BE IN ACCORDANCE WITH THE CURRENT EDITIONS OF THE FOLLOWING STANDARDS, UNLESS OTHERWISE MODIFIED ON THE DRAWINGS:

- ASCE 7 MINIMUM DESIGN LOAD FOR BUILDINGS AND OTHER STRUCTURES.
- ACI 318 BUILDING CODE REQUIREMENTS FOR REINFORCED CONCRETE.
- AC315 MANUAL OF STANDARD PRACTICE FOR DETAILING CONCRETE STRUCTURES.
- ACI 301 SPECIFICATIONS FOR STRUCTURAL CONCRETE FOR BUILDINGS.
- CRSI RECOMMENDED PRACTICE FOR PLACING REINFORCING STEEL.
- ACI 530/ASCE 5/TMS 402 BUILDING CODE FOR MASONRY STRUCTURES.
- 2023 FLORIDA BUILDING CODE

BUILDING MATERIAL

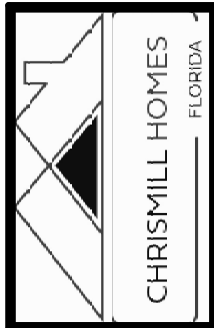
- ROOF
  - A.) ROOF SHEATHING SHALL BE 15/32" APA RATED SHEATHING W 8d NAILS SPACED 4" MAXIMUM AT SUPPORTED EDGES. SPACE NAILS MAXIMUM 6" ALONG INTERMEDIATE FRAMING MEMBERS. FASTENERS SHALL BE LOCATED 3/8" FROM PANEL EDGES. MINIMUM NAIL PENETRATION SHALL BE 1-3/8" TYPICAL.
  - B.) NAIL SPACING SHALL BE 4" O.C. WITH 8d RING SHANK NAILS ALONG ROOFING MEMBER OVER GABLE END TRUSS.
  - C.) PER APA, STRUCTURAL DIAPHRAGM CAPACITY = 240 PSF (NOT INCLUDING 40% INCREASE PER FBC 2323.2.4)
- TRUSSES
  - A.) TRUSSES SHALL BE PRE-ENGINEERED ACCORDING TO DESIGN LOAD.
  - B.) TRUSSES SHALL BE BRACED PER TRUSS PLATE INSTITUTE (TPI)HB-91

- INTERIOR FINISHES
  - A.) ALL GYPSUM BOARD SHALL HAVE A MINIMUM THICKNESS OF 1/2".
- EXTERIOR WALLS
  - A.) WALL SHEATHING SHALL BE 7/16" APA RATED SHEATHING W 8d NAILS SPACED 6" MAXIMUM AT SUPPORTED EDGES. SPACE NAILS MAXIMUM 6" ALONG INTERMEDIATE FRAMING MEMBERS. FASTENERS SHALL BE LOCATED 3/8" FROM PANEL EDGES. MINIMUM NAIL PENETRATION SHALL BE 1-3/8" TYPICAL.
- CONCRETE FOOTING AND SLABS
  - A.) CONCRETE SHALL HAVE A MINIMUM COMPRESSIVE STRENGTH OF 3000 PSF IN 28 DAYS.
  - B.) REINFORCING STEEL SHALL CONFORM TO ASTM A615 GRADE 40.
  - C.) PROVIDE A MINIMUM COVER OF 3" FOR REINFORCING STEEL WHEN CONCRETE IS PLACED DIRECTLY AGAINST THE GROUND. CONCRETE EXPOSED TO EARTH OR WEATHER SHALL HAVE A MINIMUM COVER OF 1/2"
  - D.) FIBERMESH TO BE USED IN CONCRETE IN LIEU OF WELDED WIRE MESH.
  - E.) A VAPOR RETARDER CONSISTING OF 6 MIL MINIMUM POLYETHYLENE WITH JOINTS LAPPED 6" AND SEALED WITH 2" APPROVED TAPE OR MASTIC, OR OTHER APPROVED MATERIALS HAVING A MAXIMUM PERM RATING OF 0.5.
  - F.) ANCHOR BOLTS SHALL BE SPACED A MAX OF 4' LOCATED NOT MORE THAN 12" FROM CORNERS
- SOIL PREPARATION AND PROPERTIES
  - A.) AREA UNDER FOOTINGS, FOUNDATIONS, AND CONCRETE SLABS SHALL HAVE ALL VEGETATION, STUMPS, ROOTS, AND FOREIGN MATTERS REMOVED PRIOR TO THEIR CONSTRUCTION.
  - B.) FILL MATERIAL SHALL BE FREE OF VEGETATION AND FOREIGN MATERIAL.
  - C.) ALLOWABLE BEARING PRESSURE = 1500 PSF.



SQUARE FOOTAGE	1983 S.F.	237 S.F.	2220 S.F.
HEATED			
PORCH			
TOTAL			

Josh Wilson & Nicole Dempsey  
 White Springs, Florida



John K. Gentry, P.E. #16990  
 P.O. Box 1034  
 Perry, FL 32348  
 (850) 672-0145