



Product Approval
USER: Public User

[Product Approval Menu](#) > [Product or Application Search](#) > [Application List](#) > **Application Detail**

OFFICE OF THE
SECRETARY

FL #	FL19560-R7																		
Application Type	Affirmation																		
Code Version	2023																		
Application Status	Approved																		
Comments																			
Archived	<input type="checkbox"/>																		
Product Manufacturer	Andersen Corporation																		
Address/Phone/Email	100 Fourth Avenue North Bayport, MN 55003 (651) 264-5308 alan.barstad@AndersenCorp.com																		
Authorized Signature	Alan Barstad alan.barstad@AndersenCorp.com																		
Technical Representative																			
Address/Phone/Email																			
Quality Assurance Representative																			
Address/Phone/Email																			
Category	Windows																		
Subcategory	Casement																		
Compliance Method	Evaluation Report from a Florida Registered Architect or a Licensed Florida Professional Engineer <input type="checkbox"/> Evaluation Report - Hardcopy Received																		
Florida Engineer or Architect Name who developed the Evaluation Report	Hermes F. Norero, P.E.																		
Florida License	PE-73778																		
Quality Assurance Entity	Window and Door Manufacturers Association-QA																		
Quality Assurance Contract Expiration Date	12/01/2030																		
Validated By	Zachary R. Priest, P.E. <input type="checkbox"/> Validation Checklist - Hardcopy Received																		
Certificate of Independence	FL19560_R7_COI_COI Andersen SS 2021-10-18.pdf																		
Referenced Standard and Year (of Standard)	<table border="0"> <thead> <tr> <th>Standard</th> <th>Year</th> </tr> </thead> <tbody> <tr> <td>AAMA/WDMA/CSA 101/I.S.2/A440</td> <td>2008</td> </tr> <tr> <td>AAMA/WDMA/CSA 101/I.S.2/A440</td> <td>2011</td> </tr> <tr> <td>AAMA/WDMA/CSA 101/I.S.2/A440</td> <td>2017</td> </tr> <tr> <td>ASTM E1886</td> <td>2013</td> </tr> <tr> <td>ASTM E1996</td> <td>2017</td> </tr> <tr> <td>TAS 201</td> <td>1994</td> </tr> <tr> <td>TAS 202</td> <td>1994</td> </tr> <tr> <td>TAS 203</td> <td>1994</td> </tr> </tbody> </table>	Standard	Year	AAMA/WDMA/CSA 101/I.S.2/A440	2008	AAMA/WDMA/CSA 101/I.S.2/A440	2011	AAMA/WDMA/CSA 101/I.S.2/A440	2017	ASTM E1886	2013	ASTM E1996	2017	TAS 201	1994	TAS 202	1994	TAS 203	1994
Standard	Year																		
AAMA/WDMA/CSA 101/I.S.2/A440	2008																		
AAMA/WDMA/CSA 101/I.S.2/A440	2011																		
AAMA/WDMA/CSA 101/I.S.2/A440	2017																		
ASTM E1886	2013																		
ASTM E1996	2017																		
TAS 201	1994																		
TAS 202	1994																		
TAS 203	1994																		
Equivalence of Product Standards Certified By																			

Sections from the Code

I affirm that there are no changes in the new Florida Building Code which affect my product(s) and my product(s) are in compliance with the new Florida Building Code.

Documentation from approved Evaluation or Validation Entity Yes No N/A

[FL19560_R7_COC_SA19560_SS_2023-06-19.pdf](#)

Product Approval Method Method 1 Option D

Date Submitted 08/08/2023
 Date Validated 08/08/2023
 Date Pending FBC Approval
 Date Approved 08/10/2023

Summary of Products

FL #	Model, Number or Name	Description
19560.1	Renewal by Andersen Casement Window (HVHZ) (Impact)	Renewal by Andersen Casement Window (HVHZ) (Impact)
Limits of Use Approved for use in HVHZ: Yes Approved for use outside HVHZ: Yes Impact Resistant: Yes Design Pressure: +60/-70 Other: See Installation Details and Evaluation Report for allowable sizes, configurations, installation requirements and limits of use.		Installation Instructions FL19560_R7_II_AWD319_SS_2022-12-19.pdf Verified By: Hermes F. Norero, P.E. Florida P.E. 73778 Created by Independent Third Party: Yes Evaluation Reports FL19560_R7_AE_PER8116_SS_2022-12-19.pdf Created by Independent Third Party: Yes
19560.2	Renewal by Andersen Casement Window (Non-HVHZ) (Non-Impact)	Renewal by Andersen Casement Window (Non-HVHZ) (Non-Impact)
Limits of Use Approved for use in HVHZ: No Approved for use outside HVHZ: Yes Impact Resistant: No Design Pressure: N/A Other: See Installation Details and Evaluation Report for allowable design pressures, sizes, configurations, installation requirements and limits of use.		Installation Instructions FL19560_R7_II_AWD242_SS_2018-12-17.pdf Verified By: Hermes F. Norero, P.E. FL PE No. 73778 Created by Independent Third Party: Yes Evaluation Reports FL19560_R7_AE_PER5897_SS_2018-12-16.pdf Created by Independent Third Party: Yes

[Back](#) [Next](#)

Contact Us :: [2601 Blair Stone Road, Tallahassee FL 32399](#) Phone: 850-487-1824

The State of Florida is an AA/EEO employer. [Copyright 2007-2013 State of Florida.](#) :: [Privacy Statement](#) :: [Accessibility Statement](#) :: [Refund Statement](#)

Under Florida law, email addresses are public records. If you do not want your e-mail address released in response to a public-records request, do not send electronic mail to this entity. Instead, contact the office by phone or by traditional mail. If you have any questions, please contact 850.487.1395. *Pursuant to Section 455.275(1), Florida Statutes, effective October 1, 2012, licensees licensed under Chapter 455, F.S. must provide the Department with an email address if they have one. The emails provided may be used for official communication with the licensee. However email addresses are public record. If you do not wish to supply a personal address, please provide the Department with an email address which can be made available to the public. To determine if you are a licensee under Chapter 455, F.S., please click [here](#).

Product Approval Accepts:





BUILDING DROPS

A Perfect Solution in Every Drop!

Certificate of Authorization: 29578

398 E. Dania Beach Blvd.
Suite 338
Dania Beach, FL 33004
954.399.8478 PH
954.744.4738 FX
contact@buildingdrops.com

Product Evaluation Report

of

**Andersen Corporation
Renewal by Andersen Casement Windows**

for

Florida Product Approval

FL# FL19560

Report No. 5897

Current Florida Building Code

Method: 1 – D (Engineering Evaluation)
Category: Windows
Sub – Category: Casement Window

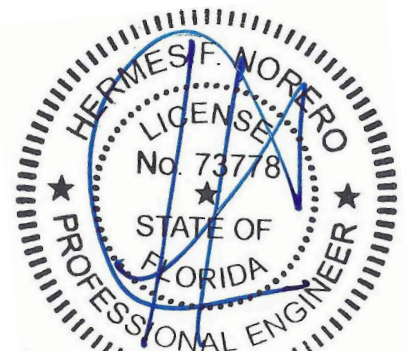
Product: *Renewal By Andersen Casement Windows*
Material: *Fibrex® & PVC*
Product Dimensions: *See installation instructions, AWD242*

Prepared For:
Andersen Corporation
100 4th Ave. N
Bayport, Minnesota 55003

Prepared by:
Hermes F. Norero, P.E.
Florida Professional Engineer # 73778
Date: 12/15/18

Contents:
Evaluation Report Pages 1 – 4

Digitally signed by Hermes F. Norero, P.E.
Reason: I am approving this document
Date: 2018.12.16 18:09:34 -05'00'



Hermes F. Norero, P.E.
Florida No. 73778



BUILDING DROPS

A Perfect Solution in Every Drop!

Certificate of Authorization: 29578

FL#: FL19560

Date: 12/15/18

Report No: 5897

Manufacturer:	Andersen Corporation
Product Category:	Windows
Product Sub-Category:	Casement Window
Compliance Method:	State Product Approval Method (1)(d)
Product Name:	Renewal Casement Windows

Scope: This is a Product Evaluation Report issued by Hermes F. Norero, P.E. (FL # 73778) for **Andersen Corporation** based on Method 1d of the State of Florida Product Approval, Florida Department of Business and Professional Regulation - Florida Building Commission.

Hermes F. Norero, P.E. does not have nor will acquire financial interest in the company manufacturing or distributing the product or in any other entity involved in the approval process of the product named herein.

This product has been evaluated for use in locations adhering to the Current Florida Building Code.

See Installation Instructions **AWD242**, signed and sealed by Hermes F. Norero, P.E. (FL # 73778) for specific use parameters.

Limits of Use:

1. This product has been evaluated and is in compliance with the Current Florida Building Code, excluding the "High Velocity Hurricane Zone" (HVHZ).
2. Product anchors shall be as listed and spaced as shown on details. Anchor embedment into substrate material shall be beyond wall dressing or stucco.
3. When used in areas requiring wind borne debris protection this product complies with Chapter 16 of the Current Florida Building Code and does require an impact resistant covering.
4. Site conditions that deviate from the details of drawing **AWD242** require further engineering analysis by a licensed engineer or registered architect.
5. See Installation Instructions **AWD242** for size and design pressure limitations.



BUILDING DROPS

A Perfect Solution in Every Drop!

Certificate of Authorization: 29578

FL#: FL19560

Date: 12/15/18

Report No: 5897

Quality Assurance: The manufacturer has demonstrated compliance of products in accordance with the Florida Building Code for manufacturing under a quality assurance program audited by an approved quality assurance entity through **Window and Door Manufacturers Association** (FBC Organization #: QUA2515).

Performance Standards: The product described herein has been tested per:

- AAMA/WDMA/CSA 101/I.S.2/A440-08/11

Referenced Data:

1. Product Testing performed by **Architectural Testing**
(FBC Organization # TST1795)
Report: E8358.01-201-47-R0 Dated: 05/29/15
Report: D4714.01-201-47-R0 Dated: 05/05/14
Report: D6879.01-201-47-R0 Dated: 05/05/14
Report: D4712.01-201-47-R1 Dated: 09/12/14
Report: D6877.01-201-47-R0 Dated: 04/15/14
Report: D4710.01-201-47-R0 Dated: 09/19/14
Report: D4710.02-201-47-R0 Dated: 09/19/14
Report: E8357.01-201-47-R0 Dated: 05/29/15
Report: D6906.01-201-47-R0 Dated: 08/19/14
Report: D6911.01-201-47-R0 Dated: 08/19/14
Report: D7659.01-201-47-R0 Dated: 09/02/14
Report: D7660.01-201-47-R0 Dated: 09/02/14
Report: D7661.01-201-47-R0 Dated: 09/02/14
Report: D7662.01-201-47-R0 Dated: 09/02/14
Report: D6890.01-201-47-R0 Dated: 05/05/14
Report: D6894.01-201-47-R0 Dated: 05/05/14
Report: D6898.01-201-47-R0 Dated: 05/08/14
Report: D6902.01-201-47-R0 Dated: 05/08/14
Report: D7664.01-201-47-R0 Dated: 09/02/14
Report: D7665.01-201-47-R0 Dated: 09/02/14
Report: D7666.01-201-47-R0 Dated: 09/02/14
Report: D7667.01-201-47-R0 Dated: 09/02/14
2. Product Testing performed by **Intertek**
(FBC Organization # TST1795)
Report: I9385.01-201-47 Dated: 12/07/18
Report: I9387.01-201-47 Dated: 12/10/18



BUILDING DROPS

A Perfect Solution in Every Drop!

Certificate of Authorization: 29578

FL#: FL19560

Date: 12/15/18

Report No: 5897

-
3. Quality Assurance
Window and Door Manufacturers Association
(FBC Organization #: QUA2515)

Installation:

Refer to Installation Instructions (**AWD242**) for anchor type, embedment, edge distance and anchor spacing details.

Design Pressure:

Refer to Installation Instructions (**AWD242**) for design pressures based on unit construction, size, and configuration.

ANDERSEN CORPORATION

RENEWAL BY ANDERSEN SERIES CASEMENT WINDOW (NON-IMPACT) (NON-HVHZ)



100 FOURTH AVE NORTH
BAYPORT, MN 55003-1096

PH: (651) 264-5150 FX: (651) 264-5485

TITLE: RENEWAL SERIES CASEMENT WINDOW (NON-IMPACT) (NON-HVHZ)
GENERAL NOTES & GLAZING DETAIL

PREPARED BY: BUILDING DROPS, INC.
398 E. DANIA BEACH BLVD., STE. 338
DANIA BEACH, FL 33004
PH: (954) 399-8478
FAX: (954) 744-4738
WEB: www.buildingdrops.com



GENERAL NOTES:

- THE PRODUCT SHOWN HEREIN IS DESIGNED AND MANUFACTURED TO COMPLY WITH THE CURRENT EDITION FLORIDA BUILDING CODE (FBC), EXCLUDING HVHZ AND HAS BEEN EVALUATED ACCORDING TO THE FOLLOWING:
 - AAMA/WDMA/CSA 101/1.S.2/A440-08/11
- ADEQUACY OF THE EXISTING STRUCTURAL CONCRETE/MASONRY, 2X FRAMING, AND METAL FRAMING AS A MAIN WIND FORCE RESISTING SYSTEM CAPABLE OF WITHSTANDING AND TRANSFERRING APPLIED PRODUCT LOADS TO THE FOUNDATION IS THE RESPONSIBILITY OF THE ENGINEER OR ARCHITECT OF RECORD FOR THE PROJECT OF INSTALLATION.
- 1X AND 2X BUCKS (WHEN USED) SHALL BE DESIGNED AND ANCHORED TO PROPERLY TRANSFER ALL LOADS TO THE STRUCTURE. BUCK DESIGN AND INSTALLATION IS THE RESPONSIBILITY OF THE ENGINEER OR ARCHITECT OF RECORD FOR THE PROJECT OF INSTALLATION.
- INSTALL INDIVIDUAL INSTALLATION ANCHORS WITHIN A TOLERANCE OF ±1/4 INCH OF THE DEPICTED LOCATION IN THE ANCHOR LAYOUT DETAIL (I.E., WITHOUT CONSIDERATION OF TOLERANCES). TOLERANCES ARE NOT CUMULATIVE FROM ONE INSTALLATION ANCHOR TO THE NEXT.
- THE INSTALLATION DETAILS DESCRIBED HEREIN ARE GENERIC AND MAY NOT REFLECT ACTUAL CONDITIONS FOR A SPECIFIC SITE. IF SITE CONDITIONS CAUSE INSTALLATION TO DEVIATE FROM THE REQUIREMENTS DETAILED HEREIN, A LICENSED ENGINEER OR ARCHITECT SHALL PREPARE SITE SPECIFIC DOCUMENTS FOR USE WITH THIS DOCUMENT IN NON-HVHZ AREAS.
- APPROVED IMPACT PROTECTIVE SYSTEM **IS REQUIRED** ON THIS PRODUCT IN AREAS REQUIRING IMPACT RESISTANCE.
- WINDOW FRAME MATERIAL: FIBREX & PVC
- IN ACCORDANCE WITH THE CURRENT EDITION FBC, WOOD COMPONENTS SHALL HAVE BEEN PRESERVATIVE TREATED OR SHALL BE OF A DURABLE SPECIES AS DEFINED IN CHAPTER 23.
- GLASS SHALL MEET THE REQUIREMENTS OF ASTM E 1300 GLASS CHARTS. SEE SHEET 1 FOR GLAZING DETAILS.

DESIGN PRESSURE RATING			
SIZE	CONFIGURATION	DESIGN PRESSURE	SASH WIDTH RATIO
32" X 80"	X	+40.0 / -40.0 PSF	---
40" X 72"	X	+40.0 / -40.0 PSF	---
70.5" X 71.5"	XX	+35.0 / -35.0 PSF	1:1
79" X 72"	XX	+30.0 / -30.0 PSF	1:1
70.5" X 60"	XX	+40.0 / -40.0 PSF	1:1
71" X 80"	XX	+25.0 / -25.0 PSF	1:1
105" X 66"	XOX	+35.0 / -35.0 PSF	1:1:1
105" X 80"	XOX	+25.0 / -25.0 PSF	1:1:1
118" X 72"	XOX	+25.0 / -25.0 PSF	1:1:1
90" X 60"	XOX	+40.0 / -40.0 PSF	1:1:1
105" X 66"	XOX	+35.0 / -35.0 PSF	1:2:1
105" X 80"	XOX	+25.0 / -25.0 PSF	1:2:1
120" X 72"	XOX	+30.0 / -30.0 PSF	1:2:1
90" X 60"	XOX	+40.0 / -40.0 PSF	1:2:1

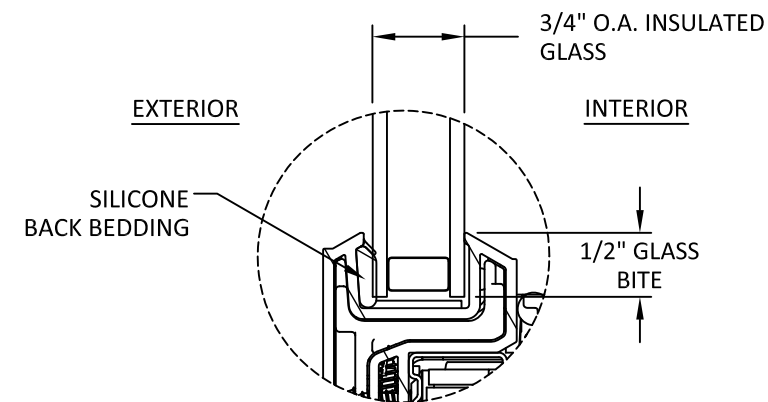
NOTE: CUSTOM SASH RATIOS MAY BE ACHIEVED BY LOCATION OF MULL POST SUCH THAT MAXIMUM SASH D.L.O. DIMENSIONS ON SHEET 2 & 3 ARE NOT EXCEEDED

DESIGN PRESSURE UPGRADE RATING			
SIZE	CONFIGURATION	DESIGN PRESSURE	SASH WIDTH RATIO
32" X 26.99"	X	+59.0 / -77.0 PSF	---
26.99" X 34.99"	X	+59.0 / -77.0 PSF	---
32" X 78"	X	+50.0 / -65.0 PSF	---
40" X 72"	X	+50.0 / -50.0 PSF	---

NOTES:

- DP UPGRADE PRODUCT POSITIVE RATING IS DRIVEN BY STRUCTURAL ONLY. WATER IS NOT INCLUDED.
- DP UPGRADE PRODUCT MUST BE INSTALLED THROUGH FRAME ONLY.

TABLE OF CONTENTS		
SHEET	REVISION	SHEET DESCRIPTION
1	-	GENERAL NOTES & GLAZING DETAIL
2	-	ELEVATIONS
3	-	ELEVATIONS
4	-	ANCHOR LAYOUTS
5	-	ANCHOR LAYOUTS
6	-	VERTICAL SECTIONS
7	-	HORIZONTAL SECTIONS
8	-	ANCHOR DETAILS
9	-	INSTALLATION NOTES & ANCHOR SCHEDULE



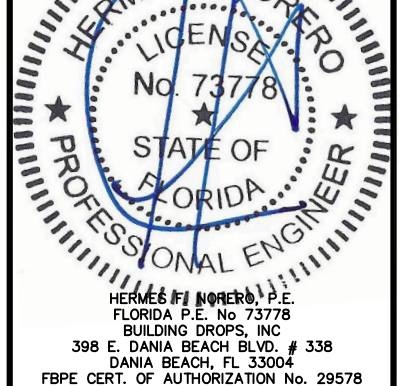
GLAZING DETAIL

GLAZING NOTES:

- GLASS TYPE & THICKNESS SHALL COMPLY WITH ASTM E1300 REQUIREMENTS AS WELL AS APPLICABLE SAFETY GLAZING REQUIREMENTS PER THE FBC. TEMPER AND SAFETY GLAZING REQUIREMENTS SHALL BE REVIEWED ON A SITE SPECIFIC BASIS.
- SETTING BLOCK DUROMETER HARDNESS OF 70-90 (SHORE A) AS REFERENCED IN FBC CHAPTER 24.
- SETTING BLOCKS TO BE LOCATED AT 1/4 SPAN LENGTH FOR GLASS WIDER THAN 36" AS PER FBC CHAPTER 24.
- D.L.O. AND DESIGN PRESSURES MAY NOT EXCEED MAX VALUES IN GLASS CHARTS.

THE INSTALLATION DETAILS DESCRIBED HEREIN ARE GENERIC AND MAY NOT REFLECT ACTUAL CONDITIONS FOR A SPECIFIC SITE. IF SITE CONDITIONS CAUSE INSTALLATION TO DEVIATE FROM THE REQUIREMENTS DETAILED HEREIN, A LICENSED ENGINEER OR ARCHITECT SHALL PREPARE SITE SPECIFIC DOCUMENTS FOR USE WITH THIS DOCUMENT.

Digitally signed by Hermes F. Norero, P.E.
Reason: I am approving this document
Date: 2018.11.07 15:51:37 -0500



FL #:

FL19560

DATE: **11.06.18**

DWG. BY: **HR**

CHK. BY: **HFN**

SCALE: **NTS**

DWG. #: **AWD242**

SHEET:

1

OF 9



100 FOURTH AVE NORTH
BAYPORT, MN 55003-1096
PH: (651) 264-5150 FX: (651) 264-5485

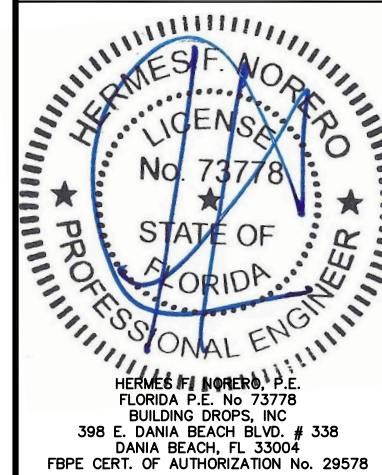
TITLE: RENEWAL SERIES CASEMENT WINDOW (NON-IMPACT) (NON-HVHZ) ELEVATIONS

PREPARED BY: BUILDING DROPS, INC.
398 E. DANIA BEACH BLVD., STE. 338
DANIA BEACH, FL 33004
PH: (954) 399-8478
FAX: (954) 744-4738
WEB: www.buildingdrops.com



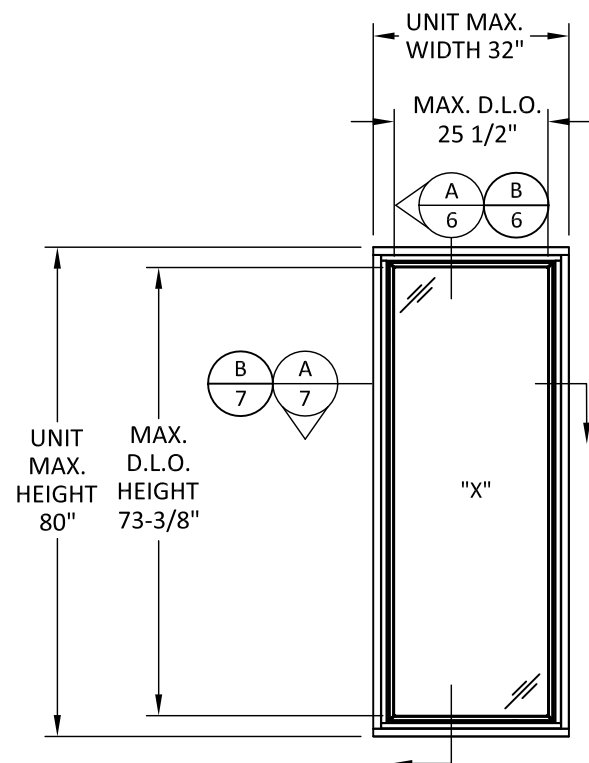
REMARKS	BY	DATE

THE INSTALLATION DETAILS DESCRIBED HEREIN ARE GENERIC AND MAY NOT REFLECT ACTUAL CONDITIONS FOR A SPECIFIC SITE. IF SITE CONDITIONS CAUSE INSTALLATION TO DEVIATE FROM THE REQUIREMENTS DETAILED HEREIN, A LICENSED ENGINEER OR ARCHITECT SHALL PREPARE SITE SPECIFIC DOCUMENTS FOR USE WITH THIS DOCUMENT.

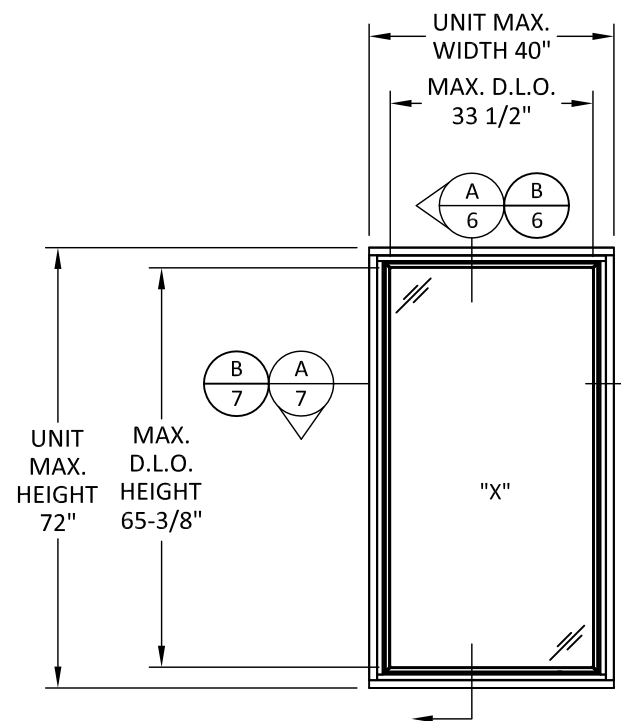


HERMES F. NORERO, P.E.
FLORIDA P.E. No. 73778
BUILDING DROPS, INC.
398 E. DANIA BEACH BLVD. # 338
DANIA BEACH, FL 33004
FBPE CERT. OF AUTHORIZATION No. 29578

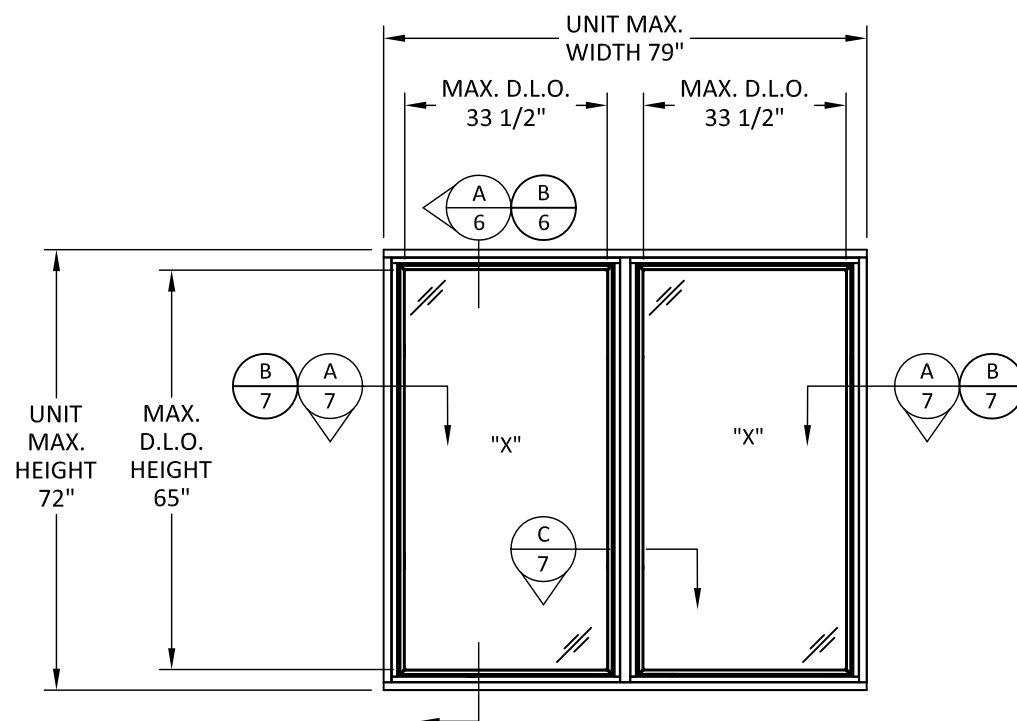
FL #:	FL19560
DATE:	11.06.18
DWG. BY:	HR
CHK. BY:	HFN
SCALE:	NTS
DWG. #:	AWD242
SHEET:	2



ELEVATION
SINGLE CASEMENT
32" X 80" UNIT

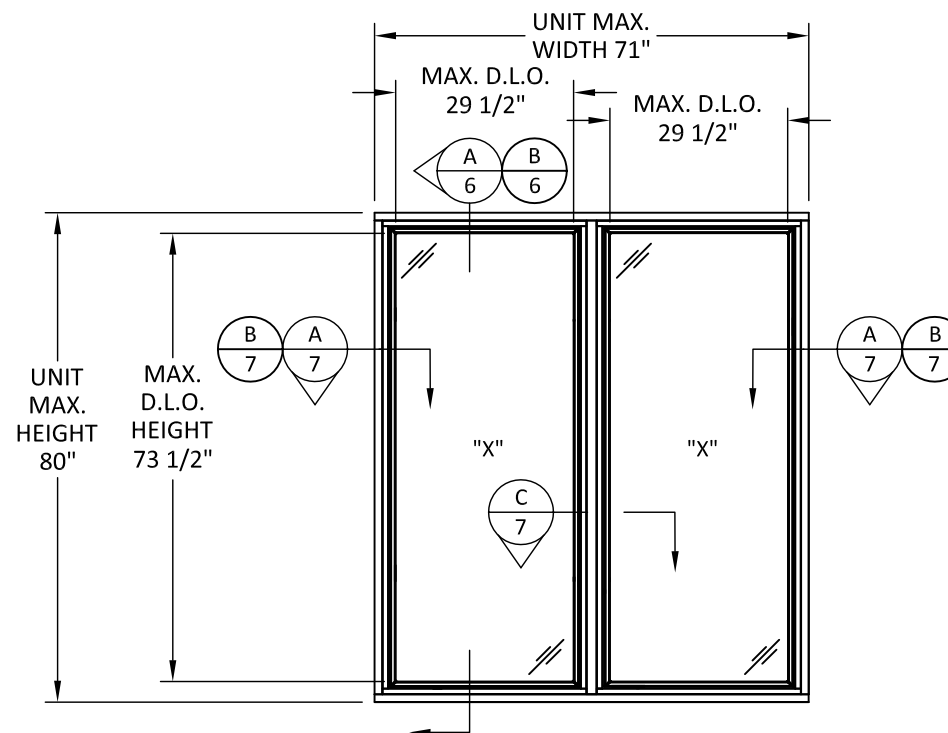


ELEVATION
SINGLE CASEMENT
40" X 72" UNIT



ELEVATION
DOUBLE CASEMENT
79" X 72" UNIT

QUALIFIED DOUBLE CASEMENT CONFIGURATIONS
XO, OX, AND OO



ELEVATION
DOUBLE CASEMENT
71" X 80" UNIT



100 FOURTH AVE NORTH
BAYPORT, MN 55003-1096

PH: (651) 264-5150 FX: (651) 264-5485

TITLE: RENEWAL SERIES CASEMENT WINDOW (NON-IMPACT) (NON-HVHZ)

ELEVATIONS

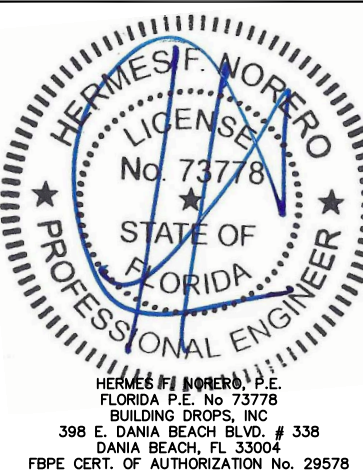
PREPARED BY: BUILDING DROPS, INC.

398 E. DANIA BEACH BLVD., STE. 338
DANIA BEACH, FL 33004
PH: (954) 399-8478
FAX: (954) 744-4738
WEB: www.buildingdrops.com

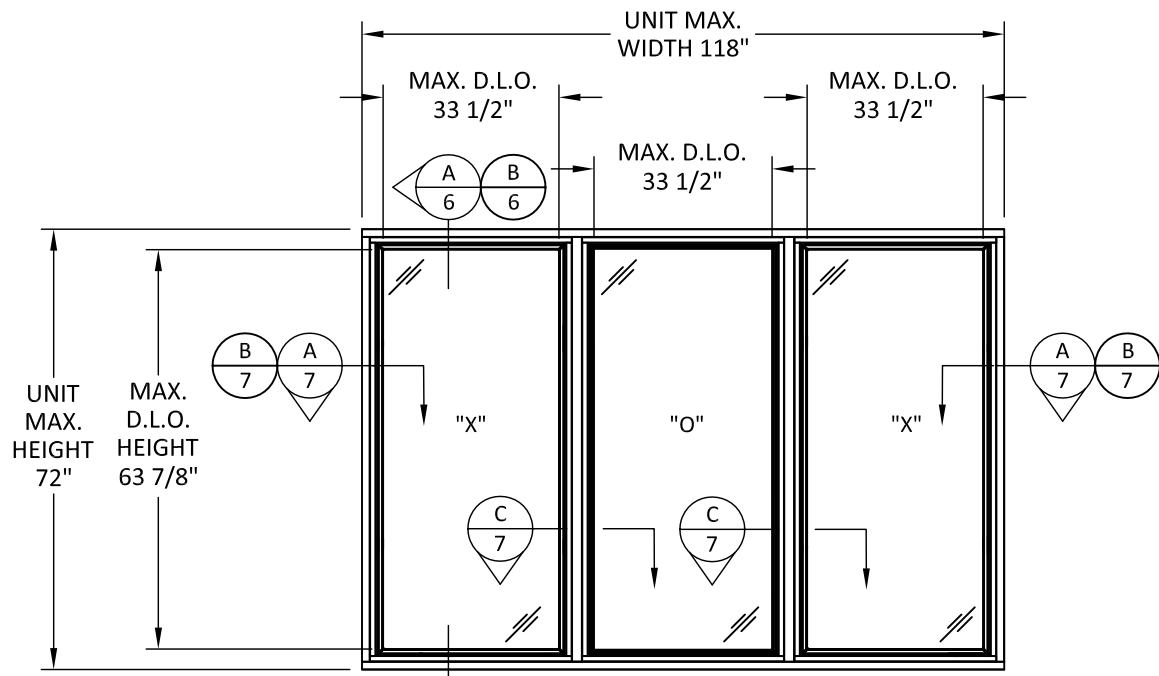


REMARKS	BY	DATE

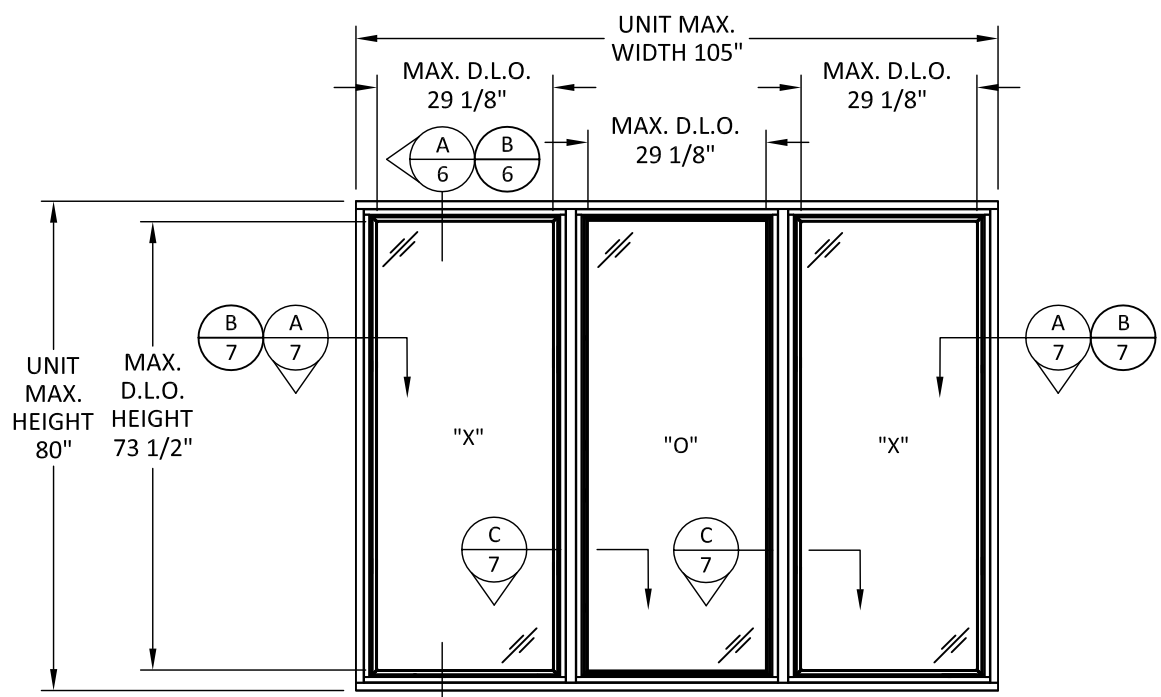
THE INSTALLATION DETAILS DESCRIBED HEREIN ARE GENERIC AND MAY NOT REFLECT ACTUAL CONDITIONS FOR A SPECIFIC SITE. IF SITE CONDITIONS CAUSE INSTALLATION TO DEVIATE FROM THE REQUIREMENTS DETAILED HEREIN, A LICENSED ENGINEER OR ARCHITECT SHALL PREPARE SITE SPECIFIC DOCUMENTS FOR USE WITH THIS DOCUMENT.



FL #:	FL19560
DATE:	11.06.18
DWG. BY:	HR
CHK. BY:	HFN
SCALE:	NTS
DWG. #:	AWD242
SHEET:	3

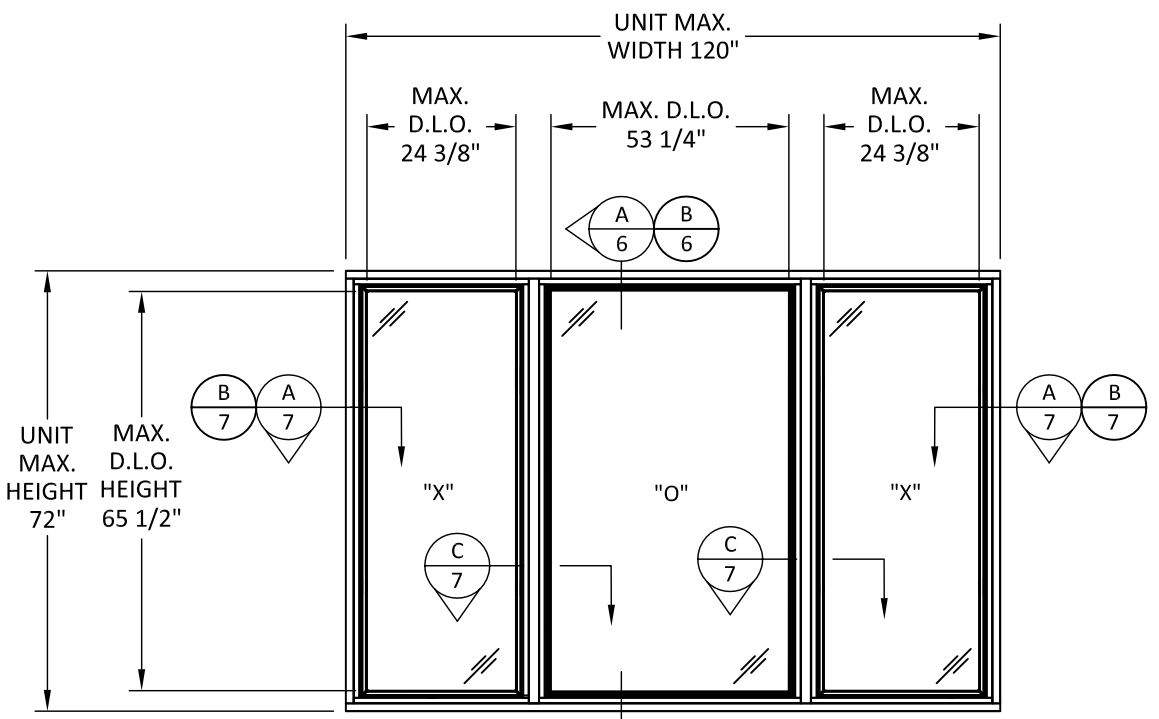


ELEVATION
TRIPLE CASEMENT XOX
EQUAL RATIO
118" X 72" UNIT

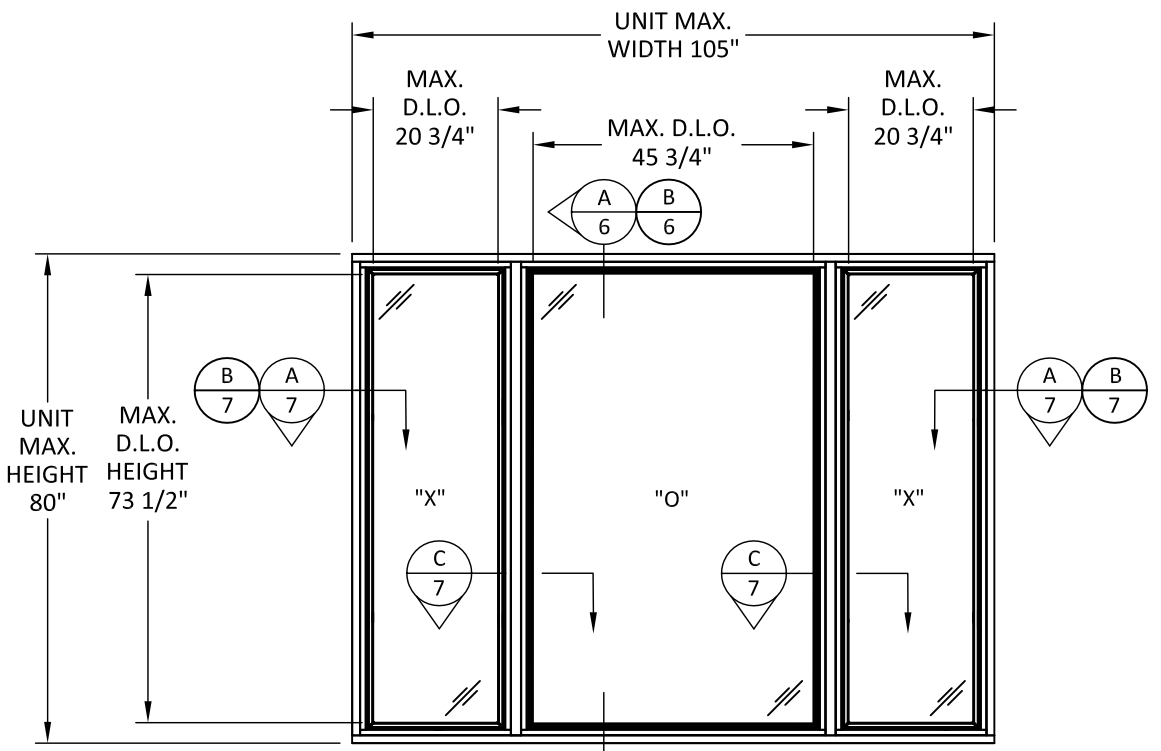


ELEVATION
TRIPLE CASEMENT XOX
EQUAL RATIO
105" X 80" UNIT

QUALIFIED TRIPLE CASEMENT CONFIGURATIONS
OOX, XO0, AND O00



ELEVATION
TRIPLE CASEMENT XOX
UNEQUAL RATIO
120" X 72" UNIT



ELEVATION
TRIPLE CASEMENT XOX
UNEQUAL RATIO
105" X 80" UNIT

s:\projects\andersen\windows\fboc-18-0822 - fbc submittal - rba fixed, casement, awning, & gliding window - high performance\dwgs\cslawd242.dwg 12/17/2018 12:22 PM

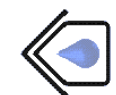


100 FOURTH AVE NORTH
BAYPORT, MN 55003-1096

PH: (651) 264-5150 FX: (651) 264-5485

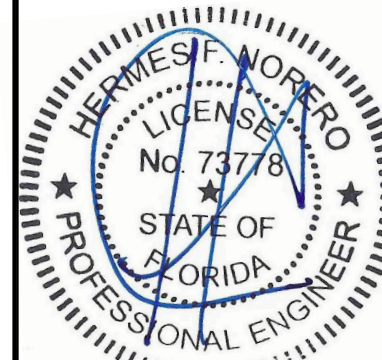
TITLE: RENEWAL SERIES CASEMENT WINDOW (NON-IMPACT) (NON-HVHZ)
ANCHOR LAYOUTS

PREPARED BY: BUILDING DROPS, INC.
398 E. DANIA BEACH BLVD., STE. 338
DANIA BEACH, FL 33004
PH: (954) 399-8478
FAX: (954) 744-4738
WEB: www.buildingdrops.com



REMARKS	BY	DATE

THE INSTALLATION DETAILS DESCRIBED HEREIN ARE GENERIC AND MAY NOT REFLECT ACTUAL CONDITIONS FOR A SPECIFIC SITE. IF SITE CONDITIONS CAUSE INSTALLATION TO DEVIATE FROM THE REQUIREMENTS DETAILED HEREIN, A LICENSED ENGINEER OR ARCHITECT SHALL PREPARE SITE SPECIFIC DOCUMENTS FOR USE WITH THIS DOCUMENT.



HERMES F. NORERO, P.E.
FLORIDA P.E. No. 73778
BUILDING DROPS, INC
398 E. DANIA BEACH BLVD. # 338
DANIA BEACH, FL 33004
FBPE CERT. OF AUTHORIZATION No. 29578

FL #: **FL19560**

DATE: **11.06.18**

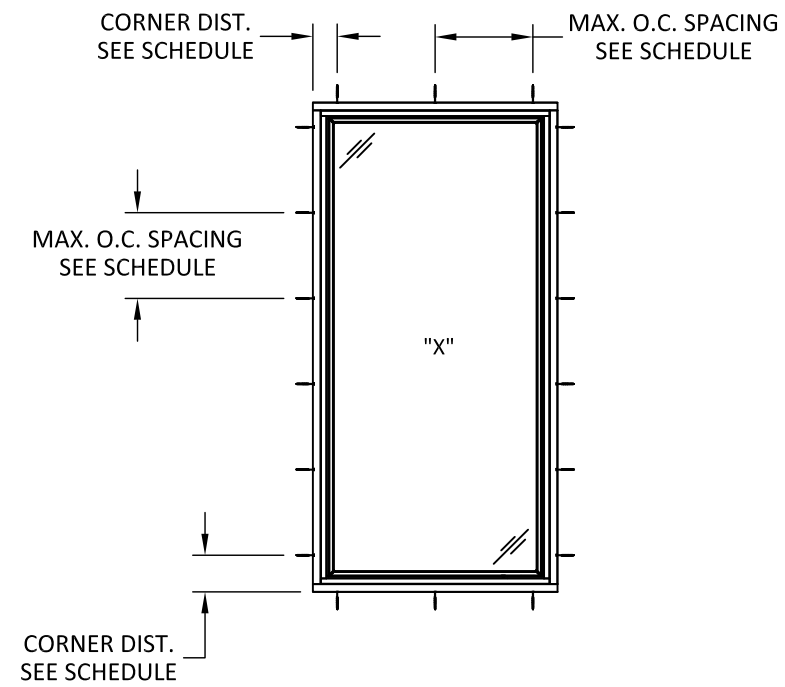
DWG. BY: **HR** CHK. BY: **HFN**

SCALE: **NTS**

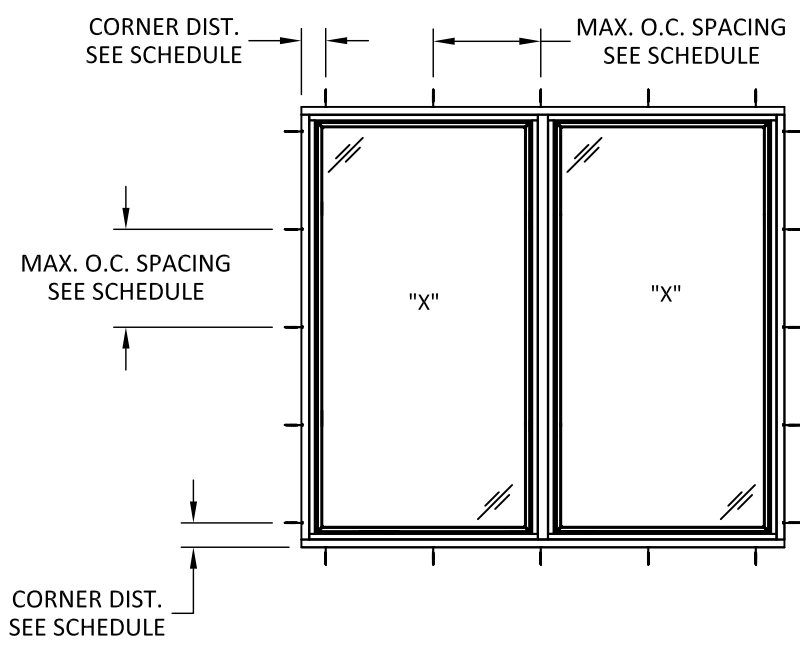
DWG. #: **AWD242**

SHEET: **4**

OF 9



TYPICAL ANCHOR LAYOUT
SINGLE CASEMENT



TYPICAL ANCHOR LAYOUT
DOUBLE CASEMENT

RENEWAL SERIES CASEMENT ANCHOR SPACING					
CONFIG.	INSTALLATION METHOD	FROM CORNERS (IN)	MAX. O.C. HEAD (IN)	MAX. O.C. SILL (IN)	MAX. O.C. JAMBS (IN)
SINGLE CASEMENTS	NAIL FIN	4	4	4	4
	INSTALLATION CLIP	4	18	18	18
	THROUGH FRAME	4	18	18	18
DOUBLE CASEMENTS	NAIL FIN	4	4	4	4
	INSTALLATION CLIP	4	18	18	18
	THROUGH FRAME	4	12.625	12.625	18

1) ANY TYPICAL SUBSTRATE SHOWN HEREIN MAY BE USED AT THE HEAD, JAMBS, OR SILL. EDGE DISTANCE AND EMBEDMENT SHALL BE AS SPECIFIED IN TYPICAL DETAILS. SEE TABLE ON SHEET 9 FOR ANCHOR SPECIFICATIONS FOR EACH INSTALLATION METHOD.

Casement Double			
Unit Height	Quantity Sash Clips Mull Post (Side of Stationary Sash)	Unit Width	Quantity Sash Clips Head & Sill (Each Stationary Sash)
< 32	1	< 67	1
< 44	2	≥ 67	2
< 57	3		
≥ 57	4		

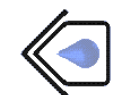
12/17/2018 12:22 PM s:\projects\andersen\windows\fboc-18-0822-fbc-submittal-rba-fixed-casement-awning-&gliding-window-high-performance\dwgs\cas\awd242.dwg



100 FOURTH AVE NORTH
BAYPORT, MN 55003-1096
PH: (651) 264-5150 FX: (651) 264-5485

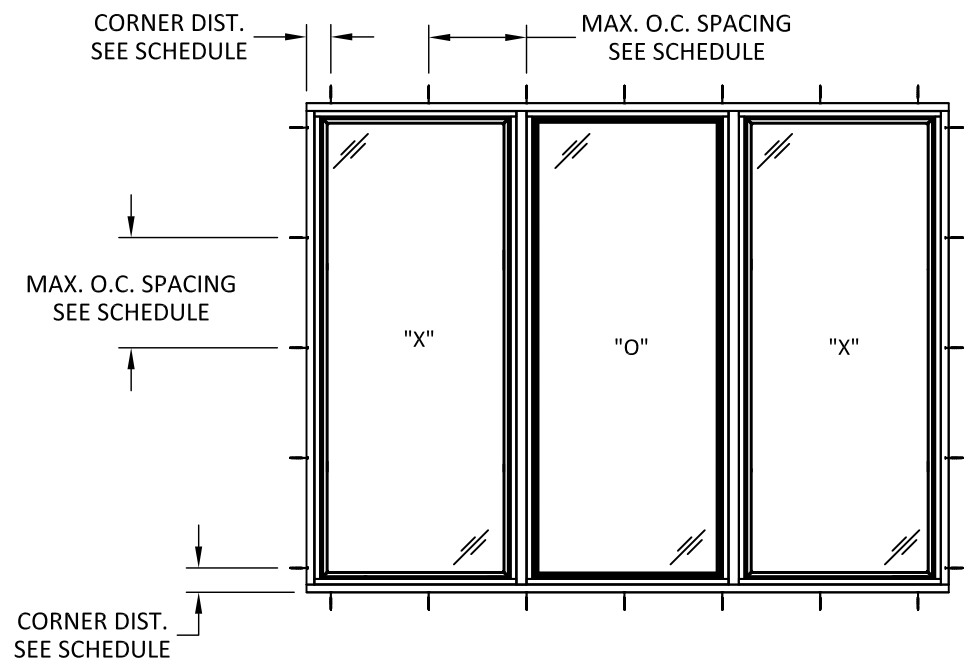
TITLE: RENEWAL SERIES CASEMENT WINDOW (NON-IMPACT) (NON-HVHZ)
ANCHOR LAYOUTS

PREPARED BY:
BUILDING DROPS, INC.
398 E. DANIA BEACH BLVD., STE. 338
DANIA BEACH, FL 33004
PH: (954) 399-8478
FAX: (954) 744-4738
WEB: www.buildingdrops.com

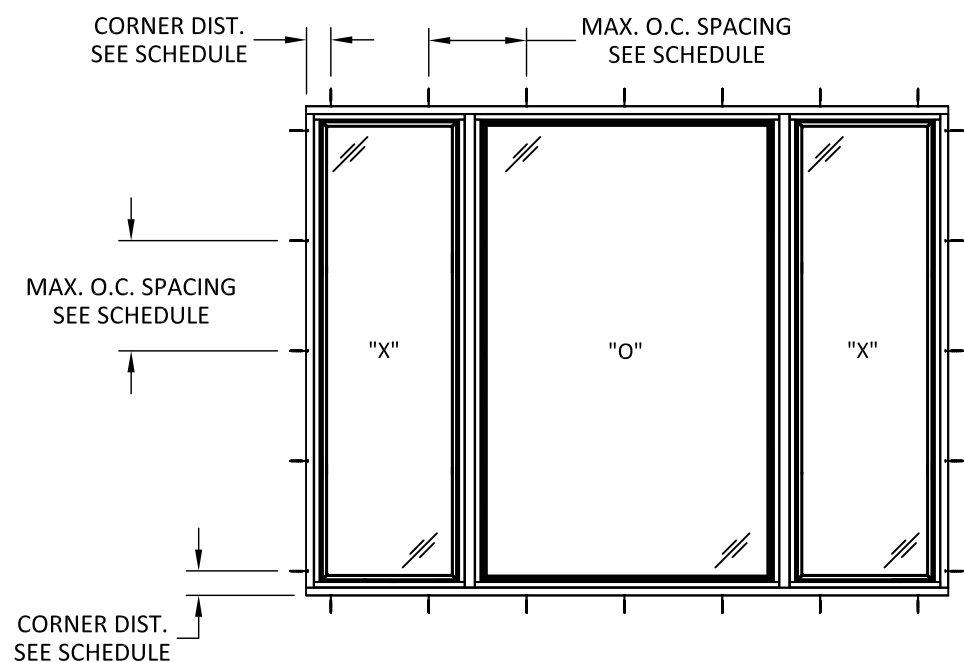


RENEWAL SERIES CASEMENT ANCHOR SPACING					
CONFIG.	INSTALLATION METHOD	FROM CORNERS (IN)	MAX. O.C. HEAD (IN)	MAX. O.C. SILL (IN)	MAX. O.C. JAMBS (IN)
TRIPLE CASEMENTS EQUAL RATIO	NAIL FIN	4	4	4	4
	INSTALLATION CLIP	4	16	16	18
	THROUGH FRAME	4	12	12	18
TRIPLE CASEMENTS UNEQUAL RATIO	NAIL FIN	4	4	4	4
	INSTALLATION CLIP	4	16	16	18
	THROUGH FRAME	4	11.75	11.75	18

1) ANY TYPICAL SUBSTRATE SHOWN HEREIN MAY BE USED AT THE HEAD, JAMBS, OR SILL. EDGE DISTANCE AND EMBEDMENT SHALL BE AS SPECIFIED IN TYPICAL DETAILS. SEE TABLE ON SHEET 9 FOR ANCHOR SPECIFICATIONS FOR EACH INSTALLATION METHOD.

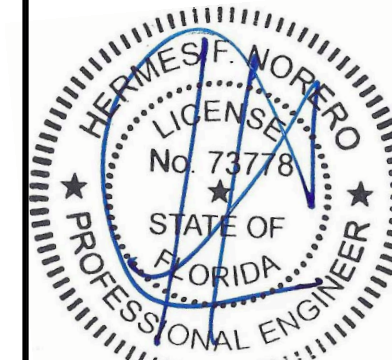


TYPICAL ANCHOR LAYOUT
TRIPLE CASEMENT
EQUAL RATIO



TYPICAL ANCHOR LAYOUT
TRIPLE CASEMENT
UNEQUAL RATIO

THE INSTALLATION DETAILS DESCRIBED HEREIN ARE GENERIC AND MAY NOT REFLECT ACTUAL CONDITIONS FOR A SPECIFIC SITE. IF SITE CONDITIONS CAUSE INSTALLATION TO DEVIATE FROM THE REQUIREMENTS DETAILED HEREIN, A LICENSED ENGINEER OR ARCHITECT SHALL PREPARE SITE SPECIFIC DOCUMENTS FOR USE WITH THIS DOCUMENT.



HERMES F. NORERO, P.E.
FLORIDA P.E. No. 73778
BUILDING DROPS, INC
398 E. DANIA BEACH BLVD. # 338
DANIA BEACH, FL 33004
FBPE CERT. OF AUTHORIZATION No. 29578

FL #:
FL19560

DATE: **11.06.18**

DWG. BY: **HR** CHK. BY: **HFN**

SCALE: **NTS**

DWG. #: **AWD242**

SHEET:
5

12/17/2018 12:22 PM s:\projects\andersen\windows\fboc-18-0822-fbc-submittal-rba-fixed-casement-awning-&gliding-window-high-performance\dwgs\awd242.dwg



100 FOURTH AVE NORTH
BAYPORT, MN 55003-1096
PH: (651) 264-5150 FX: (651) 264-5485

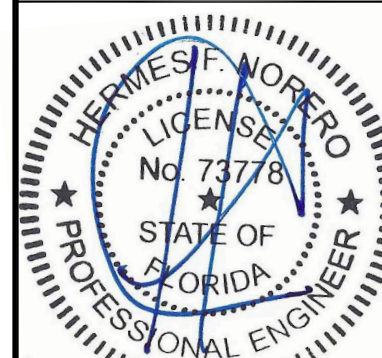
TITLE: RENEWAL SERIES CASEMENT WINDOW (NON-IMPACT) (NON-HVHZ)
VERTICAL SECTIONS

PREPARED BY: BUILDING DROPS, INC.
398 E. DANIA BEACH BLVD., STE. 338
DANIA BEACH, FL 33004
PH: (954) 399-8478
FAX: (954) 744-4738
WEB: www.buildingdrops.com



REMARKS	BY	DATE

THE INSTALLATION DETAILS DESCRIBED HEREIN ARE GENERIC AND MAY NOT REFLECT ACTUAL CONDITIONS FOR A SPECIFIC SITE. IF SITE CONDITIONS CAUSE INSTALLATION TO DEVIATE FROM THE REQUIREMENTS DETAILED HEREIN, A LICENSED ENGINEER OR ARCHITECT SHALL PREPARE SITE SPECIFIC DOCUMENTS FOR USE WITH THIS DOCUMENT.



HERMES F. NORERO, P.E.
FLORIDA P.E. No. 73778
BUILDING DROPS, INC
398 E. DANIA BEACH BLVD. # 338
DANIA BEACH, FL 33004
FBPE CERT. OF AUTHORIZATION No. 29578

FL #: **FL19560**

DATE: **11.06.18**

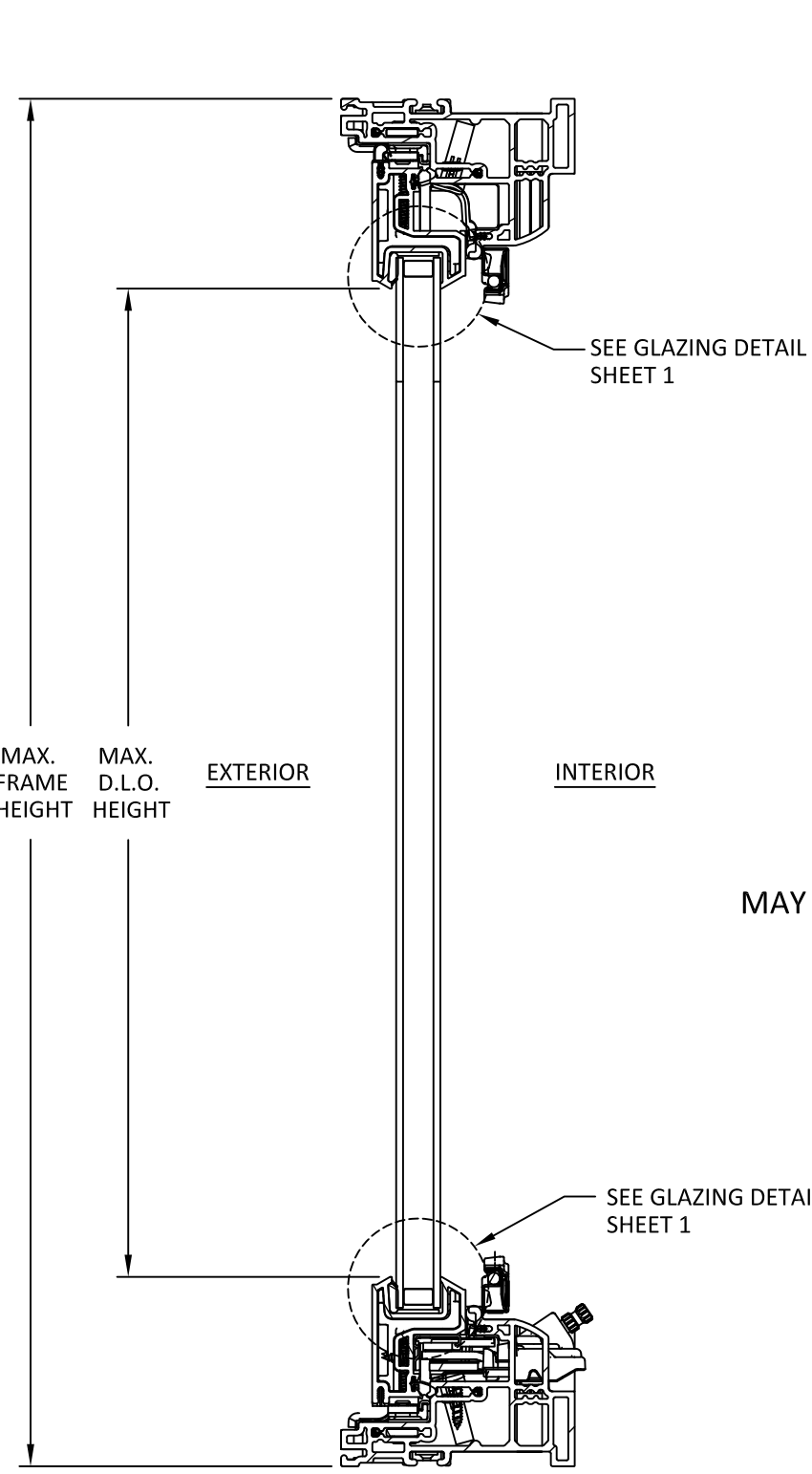
DWG. BY: **HR** CHK. BY: **HFN**

SCALE: **NTS**

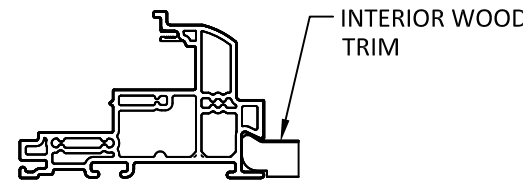
DWG. #: **AWD242**

SHEET: **6**

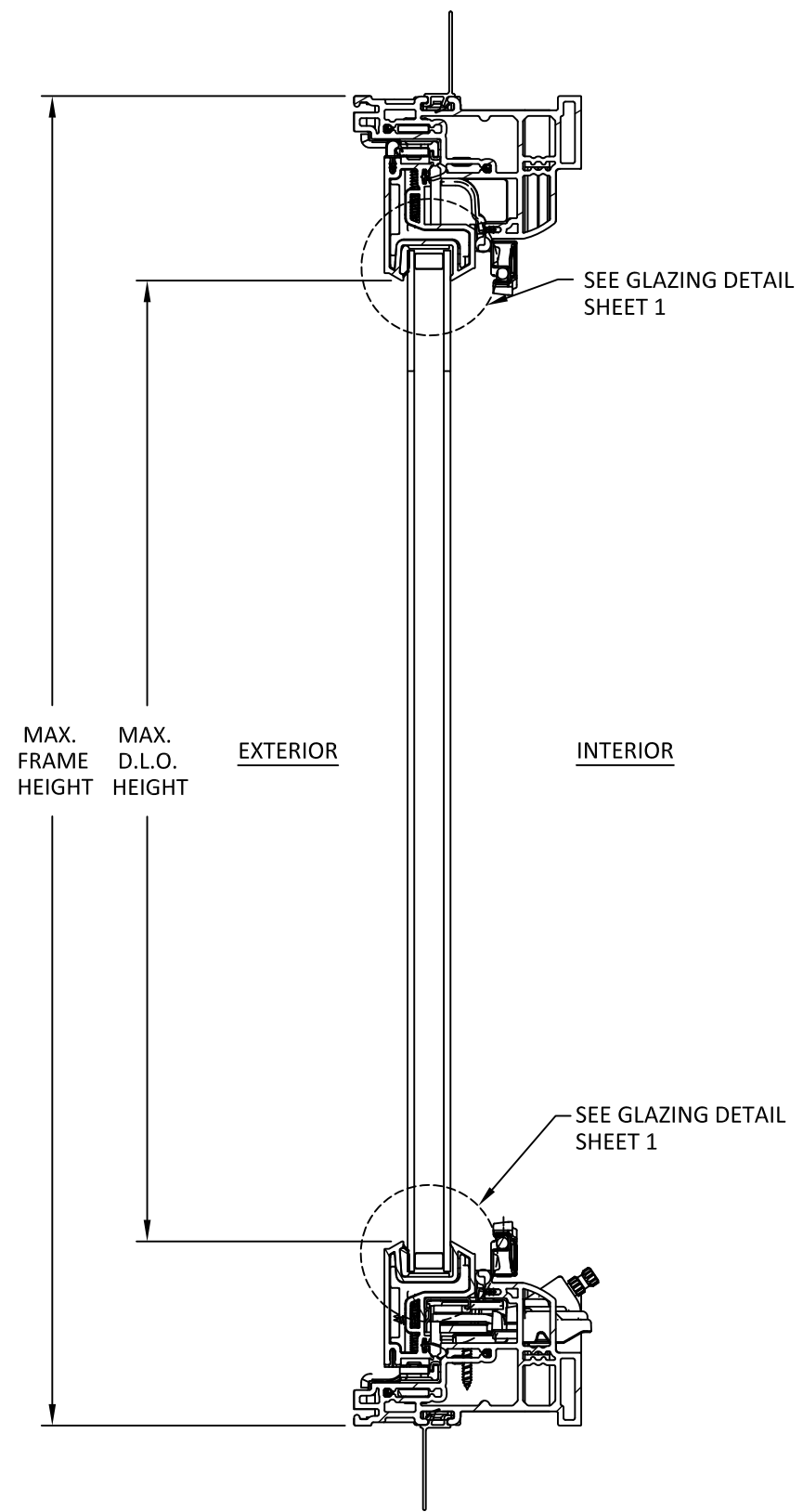
OF 9



A
6 VERTICAL SECTION
THROUGH FRAME AND THROUGH CLIP INSTALLATION



ALTERNATE EJ FRAME DETAIL
MAY BE USED AS EQUAL ALTERNATE FRAME TYPE



B
6 VERTICAL SECTION
NAIL FIN INSTALLATION

NAIL FIN/FLANGE IS REVERSIBLE, SEE ORIENTATION DIFFERENCE IN DETAIL A AND B

12/17/2018 12:22 PM s:\projects\andersen\windows\fboc-18-0822-fbc-submittal-rba-fixed-casement-awning-&gliding-window-high-performance\dwgs\awd242.dwg



100 FOURTH AVE NORTH
BAYPORT, MN 55003-1096

PH: (651) 264-5150 FX: (651) 264-5485

TITLE: RENEWAL SERIES CASEMENT
WINDOW (NON-IMPACT)
(NON-HVHZ)

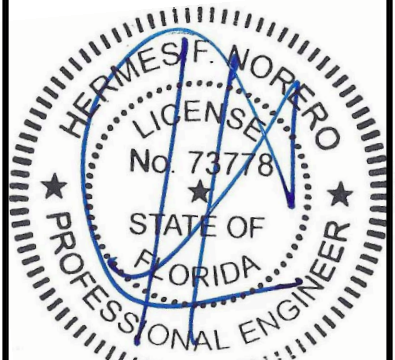
HORIZONTAL SECTIONS

PREPARED BY:

BUILDING DROPS, INC.
398 E. DANIA BEACH BLVD., STE. 338
DANIA BEACH, FL 33004
PH: (954) 399-8478
FAX: (954) 744-4738
WEB: www.buildingdrops.com

REMARKS	BY	DATE

THE INSTALLATION DETAILS DESCRIBED HEREIN ARE GENERIC AND MAY NOT REFLECT ACTUAL CONDITIONS FOR A SPECIFIC SITE. IF SITE CONDITIONS CAUSE INSTALLATION TO DEVIATE FROM THE REQUIREMENTS DETAILED HEREIN, A LICENSED ENGINEER OR ARCHITECT SHALL PREPARE SITE SPECIFIC DOCUMENTS FOR USE WITH THIS DOCUMENT.



HERMES F. NORERO, P.E.
FLORIDA P.E. No. 73778
BUILDING DROPS, INC
398 E. DANIA BEACH BLVD. # 338
DANIA BEACH, FL 33004
FBPE CERT. OF AUTHORIZATION No. 29578

FL #: **FL19560**

DATE: **11.06.18**

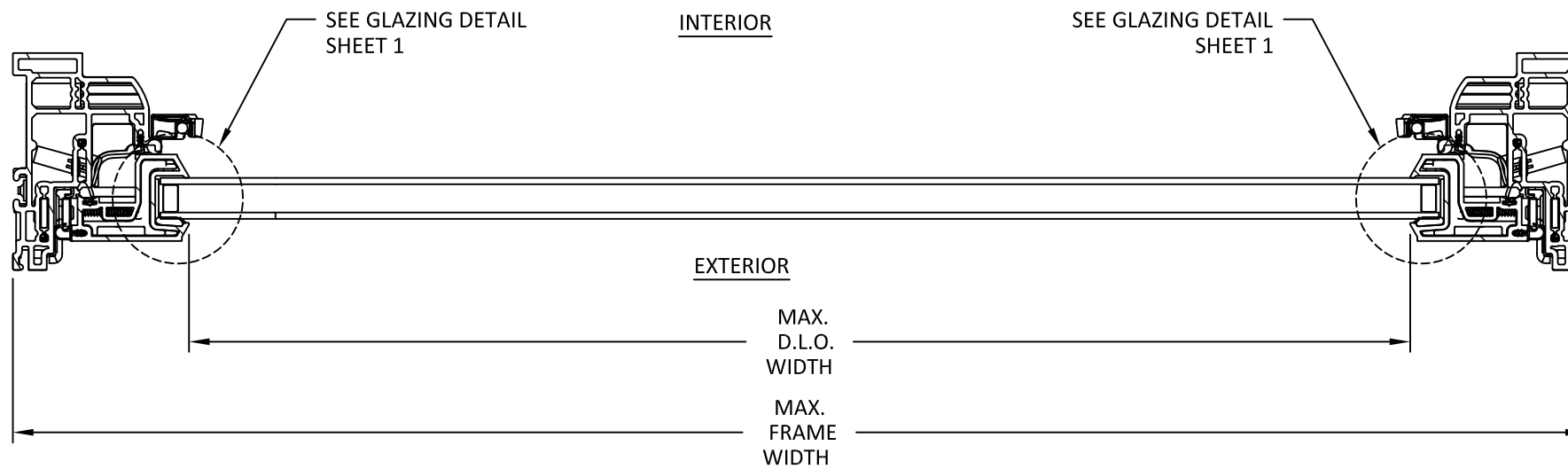
DWG. BY: **HR** CHK. BY: **HFN**

SCALE: **NTS**

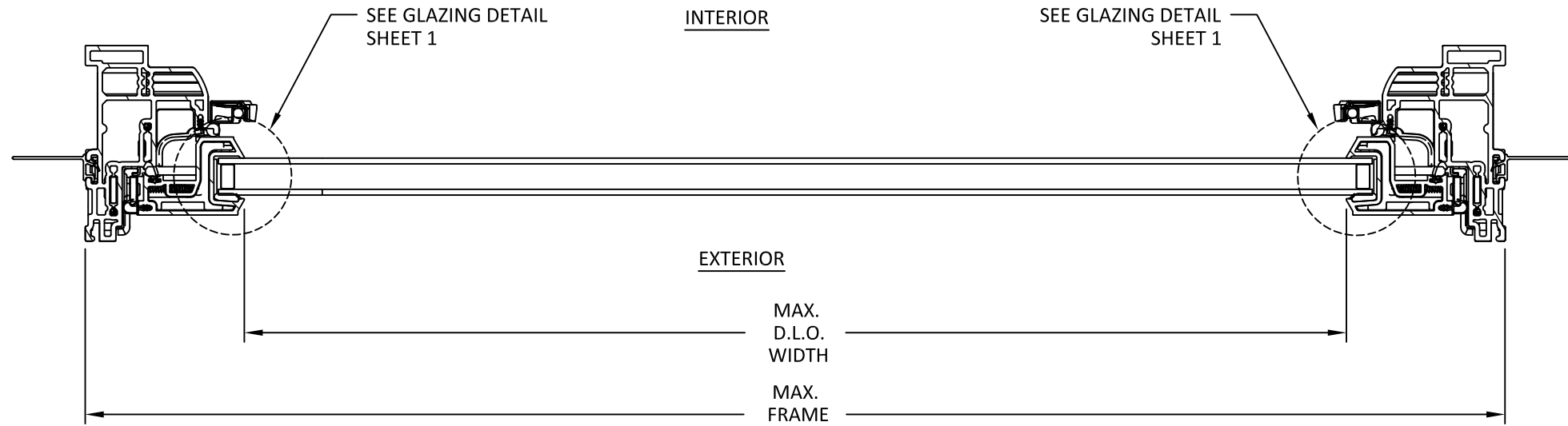
DWG. #: **AWD242**

SHEET: **7**

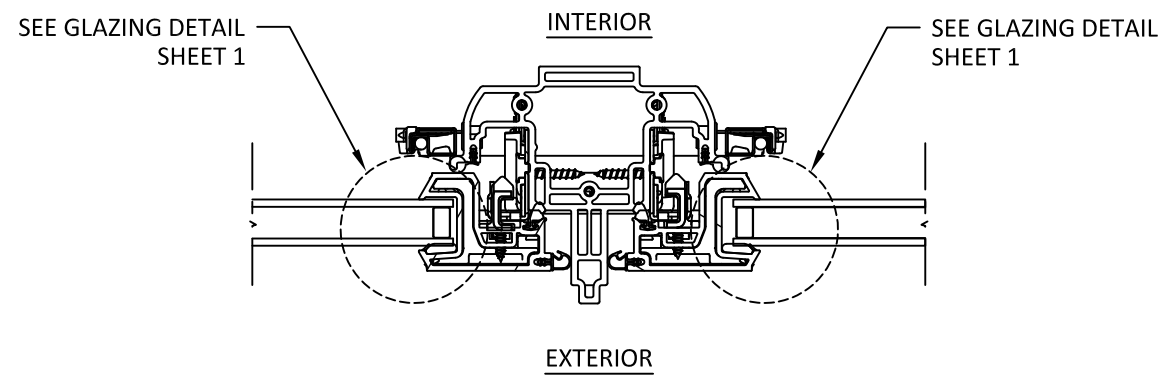
OF 9



A
7 HORIZONTAL SECTION
THROUGH FRAME AND THROUGH CLIP INSTALLATION



B
7 HORIZONTAL SECTION
NAIL FIN INSTALLATION

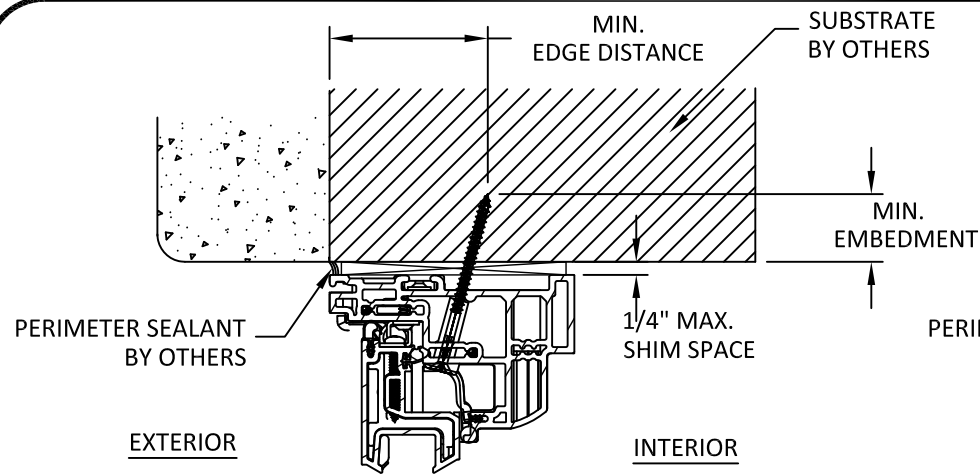


C
7 HORIZONTAL SECTION
MULL POST

s:\projects\andersen_windows\fbc-18-0822-fbc-submittal-rba-fixed-casement-awning-&gliding-window-high-performance\dwgs\awd242.dwg 12/17/2018 12:22 PM

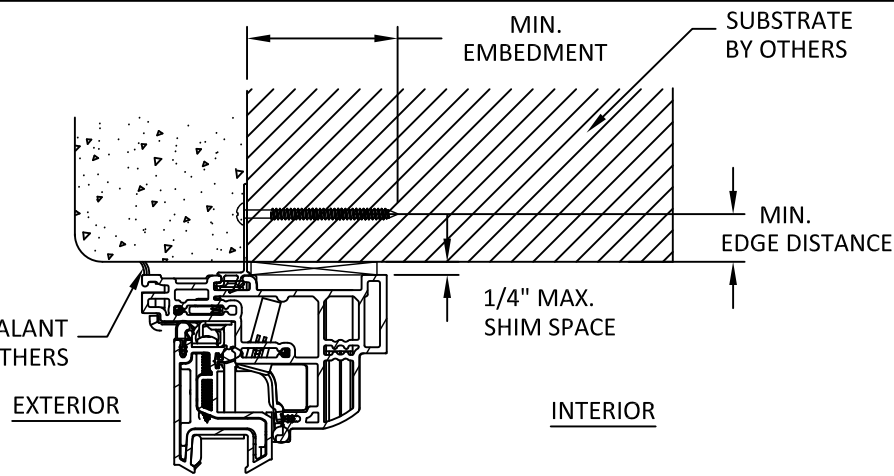
12/17/2018 12:22 PM

s:\projects\andersen\windows\fbc-18-0822 - fbc submittal - rba fixed, casement, awning, & gliding window - high performance\dwg\cs\awd242.dwg



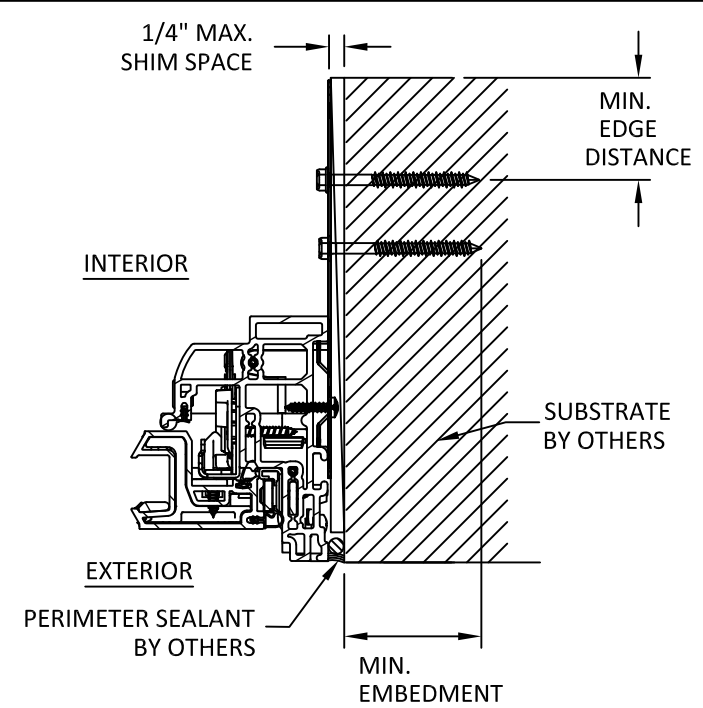
NOTE:
SILL & JAMB DETAIL SIMILAR.

A
8 VERTICAL SECTION
THROUGH FRAME (HEAD)



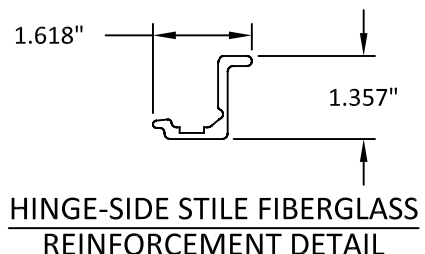
NOTE:
SILL & JAMB DETAIL SIMILAR.

B
8 VERTICAL SECTION
NAIL FIN (HEAD)

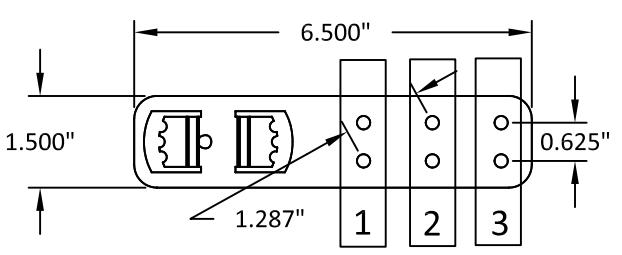


NOTE:
HEAD & SILL DETAIL SIMILAR.

C
8 HORIZONTAL SECTION
THROUGH CLIP (JAMB)



SASH REINFORCEMENT REQUIREMENTS		DP UPGRADE SASH REINFORCEMENT REQUIREMENTS	
SIZE	REINFORCING	SIZE	REINFORCING
UNIT HEIGHT > 44"	REQUIRES FIBERGLASS REINFORCEMENT INSERTED INTO HINGE-SIDE STILE	UNIT WIDTH > 32"	REQUIRES FIBERGLASS REINFORCEMENT INSERTED INTO TOP RAIL
UNIT HEIGHT ≤ 44"	NOT REQUIRED	UNIT WIDTH ≤ 32"	NOT REQUIRED



INSTALLATION CLIP DETAIL

INSTALLATION CLIP ANCHOR REQUIREMENTS:

WOOD SUBSTRATE: USE TWO #8 PAN HEAD WOOD SCREWS PER CLIP, IN ROW NUMBER ONE OF PREDRILLED HOLES SHOWN BELOW.

METAL SUBSTRATE: USE TWO #8 HWH SMS ANCHORS PER CLIP, IN ROW NUMBER ONE OF PREDRILLED HOLES SHOWN BELOW.

CONCRETE/MASONRY: USE TWO 3/16" ITW TAPCON ANCHORS, WITH ONE ANCHOR PLACED IN ROW NUMBER ONE AND ONE ANCHOR PLACED IN ROW NUMBER TWO OF PREDRILLED HOLES SHOWN BELOW. ANCHORS MUST BE PLACED DIAGONALLY ACROSS THE CLIP.

DO NOT INSTALL ANCHORS THROUGH ROW NUMBER THREE.

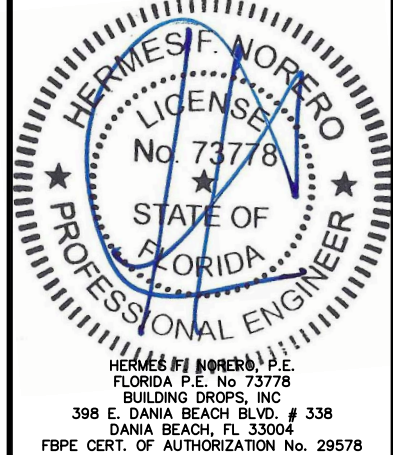


100 FOURTH AVE NORTH
BAYPORT, MN 55003-1096
PH: (651) 264-5150 FX: (651) 264-5485

TITLE: RENEWAL SERIES CASEMENT WINDOW (NON-IMPACT) (NON-HVHZ)
ANCHOR DETAILS
PREPARED BY: BUILDING DROPS, INC.
398 E. DANIA BEACH BLVD., STE. 338
DANIA BEACH, FL 33004
PH: (954) 399-8478
FAX: (954) 744-4738
WEB: www.buildingdrops.com

REMARKS	BY	DATE

THE INSTALLATION DETAILS DESCRIBED HEREIN ARE GENERIC AND MAY NOT REFLECT ACTUAL CONDITIONS FOR A SPECIFIC SITE. IF SITE CONDITIONS CAUSE INSTALLATION TO DEVIATE FROM THE REQUIREMENTS DETAILED HEREIN, A LICENSED ENGINEER OR ARCHITECT SHALL PREPARE SITE SPECIFIC DOCUMENTS FOR USE WITH THIS DOCUMENT.



FL #:
FL19560

DATE: **11.06.18**

DWG. BY: **HR** CHK. BY: **HFN**

SCALE: **NTS**

DWG. #: **AWD242**

SHEET:



100 FOURTH AVE NORTH
BAYPORT, MN 55003-1096

PH: (651) 264-5150 FX: (651) 264-5485

TITLE: RENEWAL SERIES CASEMENT WINDOW (NON-IMPACT) (NON-HVHZ)

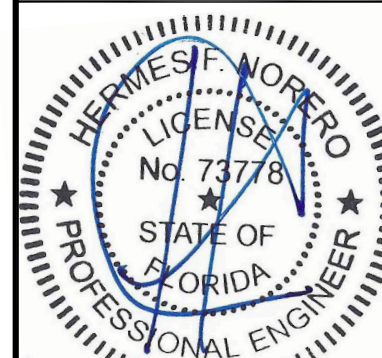
INSTALLATION NOTES & ANCHOR SCHEDULE

PREPARED BY: BUILDING DROPS, INC.
398 E. DANIA BEACH BLVD., STE. 338
DANIA BEACH, FL 33004
PH: (954)399-8478
FAX: (954)744-4738
WEB: www.buildingdrops.com



REMARKS	BY	DATE

THE INSTALLATION DETAILS DESCRIBED HEREIN ARE GENERIC AND MAY NOT REFLECT ACTUAL CONDITIONS FOR A SPECIFIC SITE. IF SITE CONDITIONS CAUSE INSTALLATION TO DEVIATE FROM THE REQUIREMENTS DETAILED HEREIN, A LICENSED ENGINEER OR ARCHITECT SHALL PREPARE SITE SPECIFIC DOCUMENTS FOR USE WITH THIS DOCUMENT.



HERMES F. NORERO, P.E.
FLORIDA P.E. No. 73778
BUILDING DROPS, INC
398 E. DANIA BEACH BLVD. # 338
DANIA BEACH, FL 33004
FBPE CERT. OF AUTHORIZATION No. 29578

FL #: **FL19560**

DATE: **11.06.18**

DWG. BY: **HR**

CHK. BY: **HFN**

SCALE: **NTS**

DWG. #: **AWD242**

SHEET:

9

OF 9

INSTALLATION NOTES:

- ONE (1) INSTALLATION ANCHOR IS REQUIRED AT EACH ANCHOR LOCATION, UNLESS OTHERWISE SHOWN.
- THE NUMBER OF INSTALLATION ANCHORS DEPICTED IS THE MINIMUM NUMBER OF ANCHORS TO BE USED FOR PRODUCT INSTALLATION OF THE MAXIMUM SIZE LISTED.
- INSTALL INDIVIDUAL INSTALLATION ANCHORS WITHIN A TOLERANCE OF ±1/4 INCH THE DEPICTED LOCATION & SPACING IN THE ANCHOR LAYOUT DETAILS (I.E., WITHOUT CONSIDERATION OF TOLERANCES). TOLERANCES ARE NOT CUMULATIVE FROM ONE INSTALLATION ANCHOR TO THE NEXT.
- SHIM AS REQUIRED AT EACH INSTALLATION ANCHOR WITH LOAD BEARING SHIM(S). MAXIMUM ALLOWABLE SHIM STACK TO BE 1/4 INCH. SHIM WHERE SPACE OF 1/16 INCH OR GREATER OCCURS. SHIM(S) SHALL BE CONSTRUCTED OF HIGH DENSITY PLASTIC OR BETTER.
- FOR MASONRY OR CONCRETE OPENINGS, A 1X WOOD BUCK MAY BE USED (OPTIONAL) AS LONG AS THE MINIMUM EMBEDMENT AND EDGE DISTANCE REQUIREMENTS ARE STILL MET WITHIN THE CORRESPONDING HOST SUBSTRATE. SEE GENERAL NOTE #3 ON SHEET 1 FOR MORE INFORMATION.
- MINIMUM EMBEDMENT AND EDGE DISTANCE EXCLUDE WALL FINISHES, INCLUDING BUT NOT LIMITED TO STUCCO, FOAM, BRICK VENEER, AND SIDING.
- INSTALLATION ANCHORS AND ASSOCIATED HARDWARE MUST BE MADE OF CORROSION RESISTANT MATERIAL OR HAVE A CORROSION RESISTANT COATING.
- FOR HOLLOW BLOCK AND GROUT FILLED BLOCK, DO NOT INSTALL INSTALLATION ANCHORS INTO MORTAR JOINTS. EDGE DISTANCE IS MEASURED FROM FREE EDGE OF BLOCK OR EDGE OF MORTAR JOINT INTO FACE SHELL OF BLOCK.
- INSTALLATION ANCHORS SHALL BE INSTALLED IN ACCORDANCE WITH ANCHOR MANUFACTURER'S INSTALLATION INSTRUCTIONS, AND ANCHORS SHALL NOT BE USED IN SUBSTRATES WITH STRENGTHS LESS THAN THE MINIMUM STRENGTH SPECIFIED BY THE ANCHOR MANUFACTURER.

ANCHOR SCHEDULE

METHOD	SUBSTRATE	ANCHOR SCHEDULE	MIN EMBEDMENT	MIN. EDGE DISTANCE
THROUGH FRAME	WOOD: MIN. SG = 0.55	#10 WOOD SCREW FLAT HEAD	1.5"	0.75"
	METAL: 18 GAUGE Steel, MIN. Fy = 33KSI	#10 TEK SCREW FLAT HEAD	3 THREADS MIN PENETRATION BEYOND METAL	0.5"
THROUGH FRAME & THROUGH CLIP	CONCRETE: MIN. fc=3000PSI	3/16" ITW TAPCON FLATHEAD	1.25"	2.5
	MASONRY: CMU per ASTM C90 MIN. 2000 PSI	3/16" ITW TAPCON FLATHEAD	1"	2.25
NAIL FIN & THROUGH CLIP	WOOD: MIN. SG = 0.55	#8 WOOD SCREW FLAT HEAD	1.5"	0.75"
	METAL: 18 GAUGE Steel, MIN. Fy = 33KSI	#8 TEK SCREW FLAT HEAD	3 THREADS MIN PENETRATION BEYOND METAL	0.5"