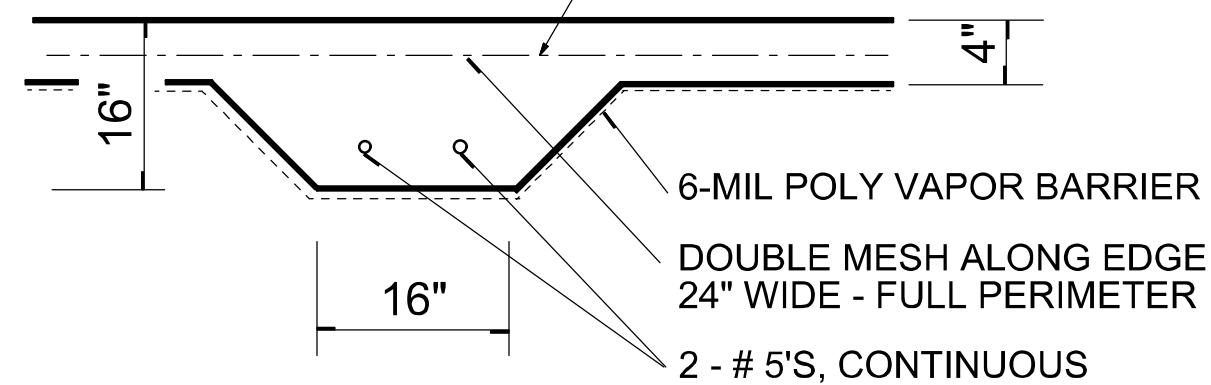


FOUNDATION PLAN
SCALE: 3/16" = 1'-0"

INTERIOR BEARING WALLS:
IT IS THE BUILDING CONTRACTOR'S RESPONSIBILITY TO VERIFY WITH THE TRUSS ENGINEERING ANY AND ALL INTERIOR BEARING WALL LOCATIONS AND FURNISH THE ENGINEER OR ARCHITECT OF RECORD TRUSS INFO SO THICKENED FOOTINGS CAN BE SIZED AND LOCATED ON THE FOUNDATION PLAN.

ALL CONCRETE 3,000 PSI COMPRESSIVE STRENGTH AT 28 DAYS

ALL MESH 6X6-10/10 WELDED WIRE MESH



SECTION C
SCALE: 3/4" = 1'-0"

NOTE: ALL DRAWINGS NOT TO BE SCALED, WRITTEN DIMENSIONS TAKE PRECEDENCE OVER SCALED DIMENSIONS

NOTE: THE DESIGN WIND SPEED FOR THIS PROJECT IS 130 MPH PER 2017 PER R301.2.1.1 AND LOCAL JURISDICTION REQUIREMENTS

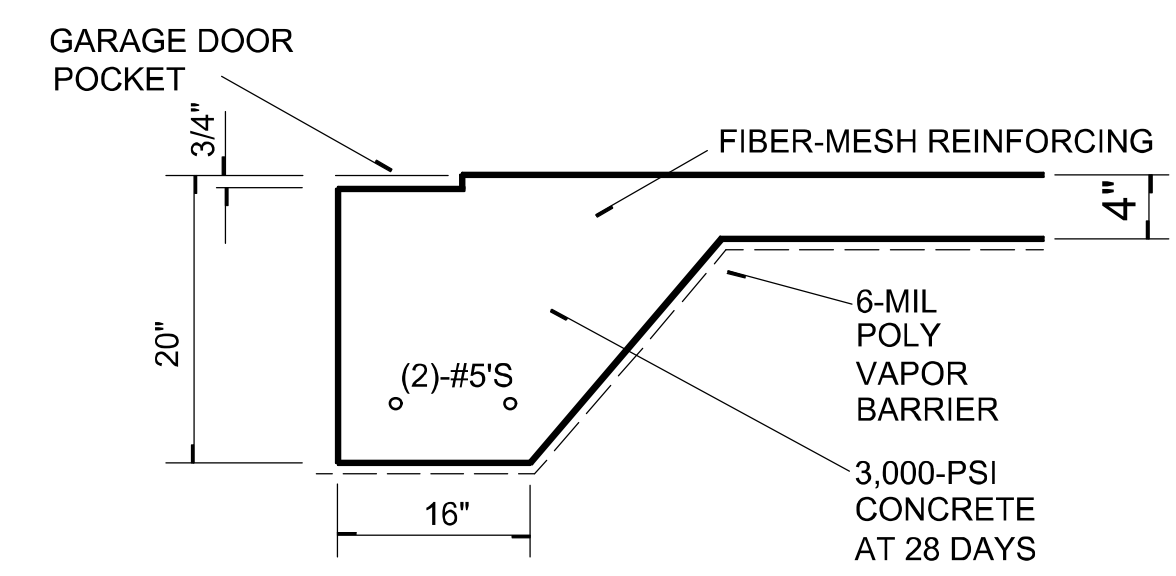
NOTE: ADDED FILL SHALL BE APPLIED IN 8" LIFTS - EA. LIFT SHALL BE COMPACTED TO 98% DRY COMPACTION PER THE "MODIFIED PROCTOR" METHOD.

NOTE: PLUMBING CONTRACTOR SHALL PREPARE "AS-BUILT" SHOP DRAWINGS INDICATING ALL PLUMBING WORK, INCLUDING ALL PLUMBING LINE LOCATIONS AND RISER DIAGRAM - CONTR SHALL PROVIDE 1 COPY OF AS-BUILT DWGS TO OWNER AND 1 COPY TO THE PERMIT ISSUING AUTHORITY.

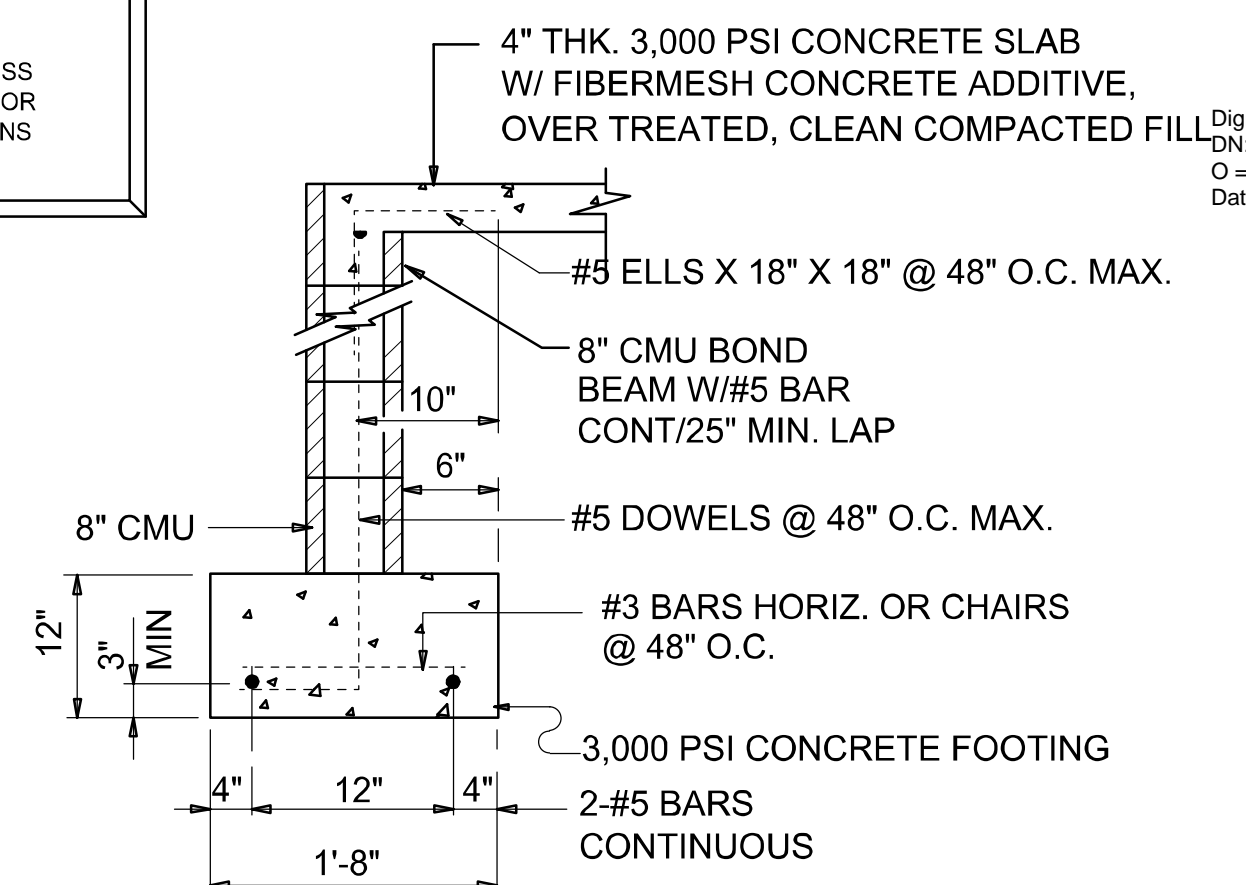
NOTE: H.V.A.C. CONTRACTOR SHALL PREPARE "AS-BUILT" SHOP DRAWINGS INDICATING ALL H.V.A.C. WORK, INCLUDING ALL DUCTWORK LOC., SIZES, LINES, EQUIPMENT SCH. & BALANCING REPORT - CONTR SHALL PROVIDE 1 COPY OF AS-BUILT DWGS TO OWNER & 1 COPY TO THE PERMIT ISSUING AUTHORITY.

CONCRETE / MASONRY / METALS GENERAL NOTES:

- DESIGN SOIL BEARING PRESSURE: 1000 PSF.
- EXPANSIVE SOILS: WHERE DIRECTED BY THE SOILS ENGINEER, SOIL AUGMENTATION PER THE SOILS ENGINEER'S SPECIFICATIONS SHALL BE IMPLEMENTED PRIOR TO PLACING ANY FOUNDATIONS - TESTS AS SPECIFIED SHALL BE PERFORMED TO DETERMINE THE SUITABILITY OF THE SUB-GRADE TO SUPPORT THE DESIGN LOADS.
- CLEAN SAND FILL OVER STRIPPED AND COMPACTED EXISTING GD. SHALL BE PLACED IN 12" LIFTS. BOTH SUB-SOIL AND FILL COMPACTION SHALL BE NOT LESS THAN 98% AS MEASURED BY A MODIFIED PROCTOR TEST AT THE RATE OF ONE TEST FOR EACH 1500 SF OF BUILDING PAD AREA, OR FRACTION THEREOF, FOR EACH 12" LIFT.
- REINFORCING STEEL SHALL BE GRADE 60 AND MEET THE REQUIREMENTS OF ASTM A615, ALL BENDS SHALL BE MADE COLD.
- WELDED WIRE MESH SLAB REINFORCING SHALL MEET THE REQUIREMENTS OF ASTM A185 - MIN. YIELD STRESS = 85 KSI.
- CONCRETE SHALL BE STANDARD MIX $F_c = 3000$ PSI FOR ALL FTGS, SLABS, COLUMNS AND BEAMS OR SHALL BE STANDARD PUMP MIX $F_c = 3000$ PSI. STRENGTH SHALL BE ATTAINED WITHIN 28 DAYS OF PLACEMENT. MIXING, PLACING AND FINISHING SHALL BE AS PER ACI STANDARDS.
- CONCRETE BLOCK SHALL BE AS PER MANUFACTURER'S PRODUCT GUIDE FOR ASTM C-90 REQUIREMENTS WITH MEDIUM SURFACE FINISH - $F_m = 1500$ PSI.
- MORTAR SHALL BE TYPE "M" OR "N" FOR ALL MASONRY UNITS.
- STRUCTURAL STEEL SHALL CONFORM TO ASTM A36 STANDARDS FOR STRENGTH. BOLTS SHALL BE ASTM A307 / GRADE 1 OR A325, AS PER PLAN REQUIREMENTS.
- WELDS SHALL BE AS PER "AMERICAN WELDING SOCIETY" STANDARDS FOR STRUCTURAL STEEL APPLICATIONS.
- 2X4 P/T WOOD SILL, CONT., ALL AROUND, W/ 5/8" - A.B. W/ 3" SQ. X 1/4" PLATE WASHERS WITHIN 6" FROM EACH CORNER, EA. WAY, & WITHIN 6" FROM ALL WALL OPENINGS / ENDS - 1/2" - A.B. W/ 2" SQ. WASHERS ALONG EACH RUN @ 48" O.C., MAX. - ALL ANCHOR BOLTS SHALL HAVE A MINIMUM OF 6" EMBEDMENT INTO THE CONCRETE.



SECTION B
SCALE: 3/4" = 1'-0"



SECTION (optional) A
SCALE: 3/4" = 1'-0"

REVISIONS	DATE
	October 14, 2020

FOUNDATION PLAN
SCALE: 1/4" = 1'-0"

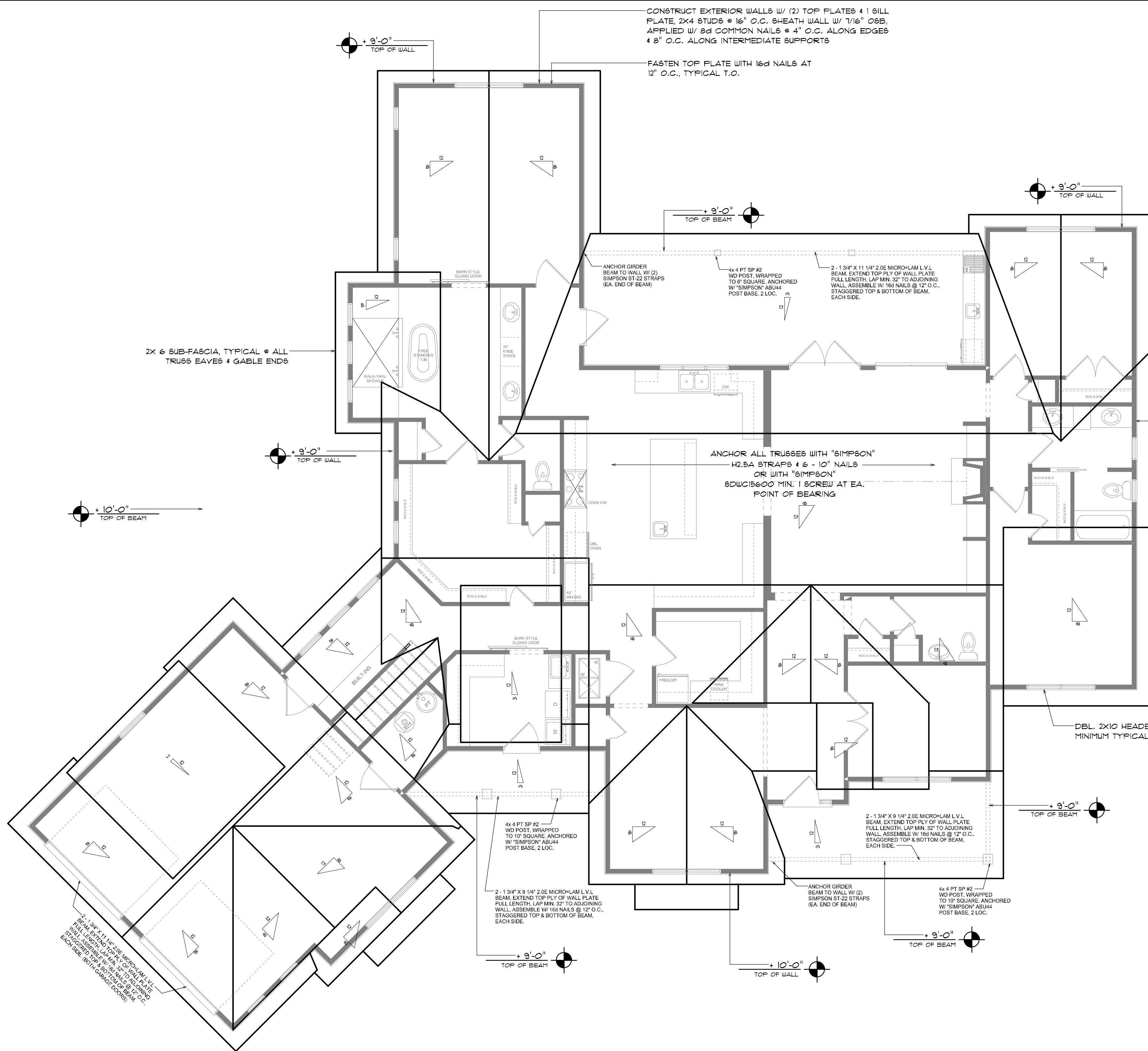
A CUSTOM HOME DESIGN FOR:
AL & SERANA OTERO
PROJECT ADDRESS: LOT 6, West Paces S/D, Lake City, Florida (Parcel: 32-35-16-02431-206)

ARCO TOOLS
Digitally signed by: N. P. GEISLER
DN: cn = N. P. GEISLER C = US
o = ARCO TOOLS O = ARCHITECT
Date: 2020.11.02 09:23:10 -0500

NICHOLAS PAUL GEISLER ARCHITECT
N.C.A.R.B. Certified
1758 NW Brown Rd.
Lake City, FL 32055
(386) 365-4355

JOB NUMBER
20200320

SHEET NUMBER
S.1
OF 4 SHEETS



Roof Framing PLAN

SCALE: 3/16" = 1'-0"

NOTE:
SHEATH ROOF W/ 5/8" CDX PLYWOOD PLACED W/ LONG DIMENSION PERPENDICULAR TO THE ROOF TRUSSES, SECURE TO FRAMING W/ 8d NAILS - AS PER DETAIL ON SHEET 8.4

NOTE:
THE DESIGN WIND SPEED FOR THIS PROJECT IS 130 MPH PER 2011 PER R301.2.1.1 AND LOCAL JURISDICTION REQUIREMENTS

NOTE:
ALL PENETRATIONS OF THE TOP PLATE OF ALL LOAD BEARING WALLS SHALL BE SEALED WITH FIRE RETARDANT CAULKING, INCLUDING WIRING, PLUMBING OR OTHER SUCH PENETRATIONS. WALLS OVER 8'-0" TALL SHALL HAVE CONTINUOUS BLOCKING TO LIMIT CAVITY HEIGHT TO 8'-0". PENETRATIONS THROUGH SUCH BLOCKING SHALL BE TREATED IN THE SAME MANNER AS TOP PLATES, NOTED ABOVE

THE CONTRACTOR SHALL COORDINATE THE TRUSS TO TRUSS ANCHOR REQUIREMENTS WITH THE TRUSS ENGINEERING SHOP DRAWINGS. SOME OF THE TRUSS TO TRUSS CONNECTIONS WILL REQUIRE ANCHOR STRAPS IN ADDITION TO TYPICAL NAILING. ANCHOR DEVICES SHALL BE REQUIRED FOR ALL JOINTS WITH AN UPLIFT OR GRAVITY LOAD OF 100 LBS OR GREATER.

TRUSSES BEARING ON INTERIOR PARTITIONS WHERE UPLIFT LOADS ARE PRESENT SHALL REQUIRE ANCHORS OF EQUAL OR GREATER LOAD CAPACITY THAN THAT INDICATED BY THE TRUSS SHOP DRAWINGS. THE UPLIFT ANCHOR SYSTEM SHALL BE CONTINUOUS TO THE FOUNDATION.

PROJECT COORDINATION REQUIREMENTS

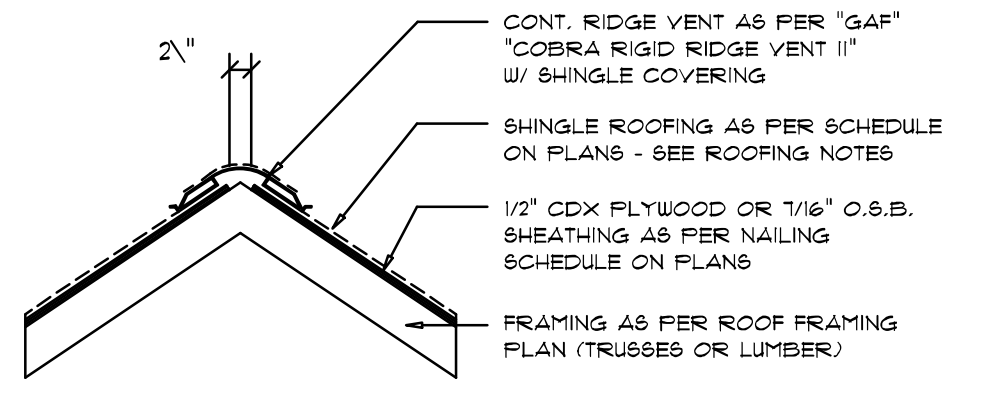
NOTE:
THESE PLANS ARE DRAWN FOR AVERAGE SITE CONDITIONS AND COMPLIANCE WITH APPLICABLE CODES AT THE TIME THEY ARE DRAWN. DUE TO VARYING STATE, LOCAL, AND NATIONAL CODES, RULES AND REGULATIONS, N.P. GEISLER, ARCHITECT CANNOT WARRANT COMPLIANCE WITH ALL APPLICABLE STATE, LOCAL, AND NATIONAL CODES IN YOUR AREA OR WITH YOUR PARTICULAR SITE CONDITIONS. IT IS THE RESPONSIBILITY OF THE PURCHASER AND/OR BUILDER TO SEE THAT THE STRUCTURE IS BUILT IN STRICT COMPLIANCE WITH ALL GOVERNING MUNICIPAL CODES (CITY, COUNTY, STATE AND FEDERAL). IF YOUR CITY OR STATE REQUIRES AN ENGINEER'S SEAL FOR THE SITE/CIVIL PORTIONS OF THE WORK, YOU WILL NEED TO HAVE THAT DONE LOCALLY BY A QUALIFIED, LICENSED PROFESSIONAL ENGINEER.

NOTE: ALL DRAWINGS NOT TO BE SCALED, WRITTEN DIMENSIONS TAKE PRECEDENCE OVER SCALED DIMENSIONS

WOOD STRUCTURAL NOTES

- TEMPORARY BRACING OF THE STRUCTURE DURING ERECTION, REQUIRED FOR SAFE AND STABLE CONSTRUCTION, SHALL BE THE SOLE RESPONSIBILITY OF THE CONTRACTOR SO ENGAGED. TEMPORARY & PERMANENT BRACING OF ROOF TRUSSES SHALL BE AS PER THE STANDARD GUIDELINES OF THE "TRUSS PLATE INSTITUTE".
- ALL TRUSSES SHALL BE DESIGNED BY A LICENSED PROFESSIONAL ENGINEER & SHALL BE SIGNED AND SEALED BY SAME. TRUSS DESIGN SHALL INCLUDE PLACEMENT PLANS, TRUSS DETAILS, TRUSS TO TRUSS CONNECTIONS & THE STANDARD SPECIFICATIONS & RECOMMENDATIONS OF INSTALLATION OF THE "TRUSS PLATE INSTITUTE".
- WOOD STUDS IN EXTERIOR WALLS & INTERIOR BEARING WALLS SHALL BE NOT LESS THAN N.2 HEM-FIR OR BETTER.
- CONNECTORS FOR WOOD FRAMING SHALL BE GALVANIZED METAL OR BLACK METAL AS MANUFACTURED OR AS CALLED FOR IN THE PLANS AND BE OF A DESIGN SUITABLE FOR THE LOADS AND USE INTENDED. REFER TO THE JOINT REINFORCEMENT SCHEDULE FOR PRINCIPLE CONNECTIONS.

AREA OF ATTIC	REQ'D L.F. OF VENT	NET FREE AREA OF INTAKE
1600 SF	20 LF	410 SQ. IN.
1800 SF	24 LF	490 SQ. IN.
2200 SF	28 LF	570 SQ. IN.
2500 SF	32 LF	650 SQ. IN.
2800 SF	36 LF	730 SQ. IN.
3100 SF	40 LF	810 SQ. IN.
3500 SF	44 LF	890 SQ. IN.



Ridge Vent DETAIL

SCALE: 3/4" = 1'-0"

NOTE:
ANCHOR GIRDER TRUSS(ES) TO HEADER WITH 2 "SIMPSON" LGT2, 3 OR 4). ANCHOR HEADER TO KING STUDS W/ 2 "SIMPSON" ST22 EA. END - TYP., T.O.

NOTE:
REFER TO THE WINDOW/DOOR HEADER SCHEDULE ON SHEET 8.4 FOR ALL MINIMUM SIZE HEADERS AND ALTERNATES. MINIMUM SIZE ALLOWABLE IS 2-2X10.

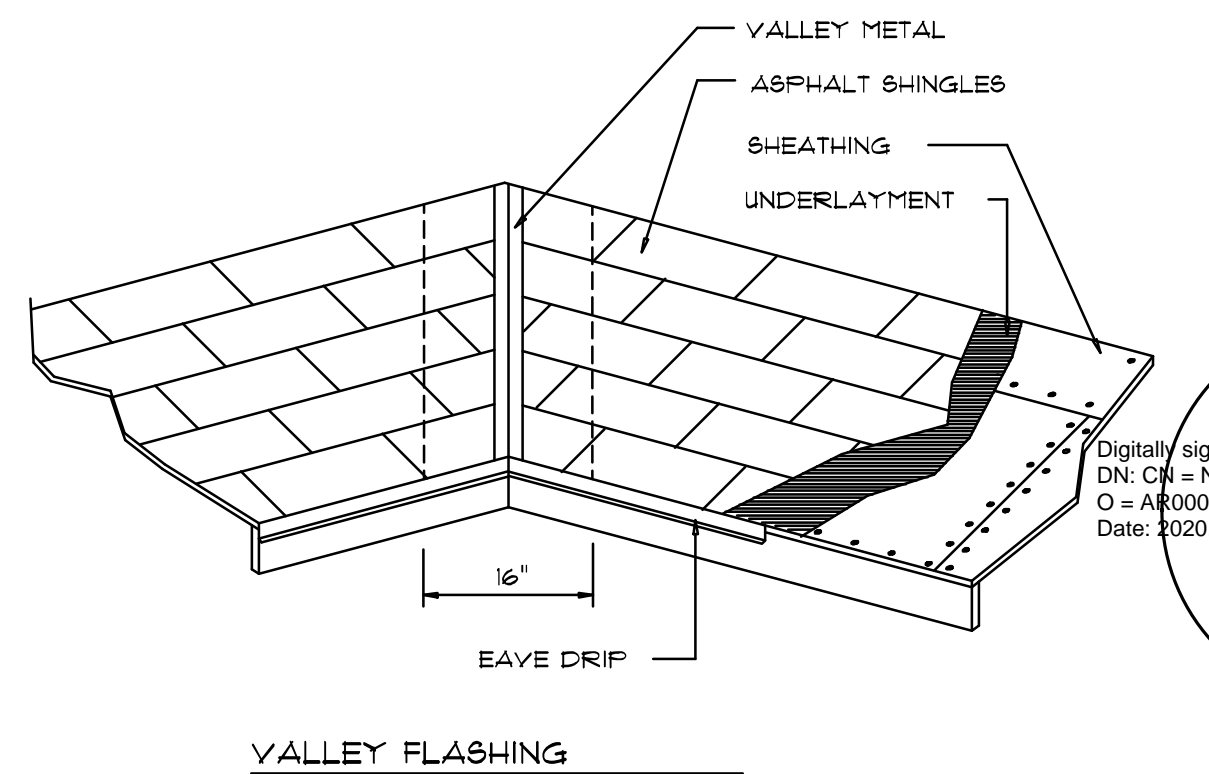
ROOF PLAN NOTES

- R-1 SEE EXTERIOR ELEVATIONS FOR ROOF PITCH
- R-2 ALL OVERHANG 18" UNLESS OTHERWISE NOTED
- R-3 PROVIDE ATTIC VENTILATION IN ACCORDANCE WITH SCHEDULE ON 8.2
- R-4 SEE EXTERIOR ELEVATIONS AND FLOOR PLANS TO VERIFY PLATE AND HEEL HEIGHTS
- R-5 MOVE ALL VENTS AND OTHER ROOF PENETRATIONS TO REAR

SHOP DRAW COORDINATION: THE TRUSS ANCHOR STRAPS AS INDICATED IN THE CONSTRUCTION DOCUMENTS ARE SUGGESTED STRAPS AND THAT THE TRUSS ENGINEERED SHOP DRAWING LOADS TAKE PRECEDENCE OVER THAT INDICATED IN THE CONSTRUCTION DOCUMENTS. THE UPLIFT LOADS INDICATED FOR EACH TRUSS IN THE ENGINEERED TRUSS SHOP DRAWINGS MAY BE MATCHED TO STANDARD PRODUCT UPLIFT RATINGS FOR COMPARABLE UPLIFT CONNECTIONS, AND THAT THE PRODUCTS THAT PROVIDE EQUAL OR GREATER UPLIFT RESISTANCE FOR THE LISTED LOADS MAY BE USED IN LIEU OF THOSE INDICATED IN THE CONSTRUCTION DOCUMENTS OR AS APPROVED BY THE BUILDING OFFICIAL.

GENERAL TRUSS NOTES:

- TRUSSES SHALL BE DESIGNED BY A LICENSED ENGINEER, AND IN ACCORDANCE WITH THE REQUIREMENTS OF THE "NATIONAL FOREST PRODUCTS ASSOCIATION" MANUAL FOR "STRESS RATED LUMBER AND ITS CONNECTIONS", LATEST Ed., ALONG W/ THE "TRUSS PLATE INSTITUTE" SUGGESTED GUIDELINES FOR TEMPORARY AND PERMANENT BRACING, AND HANDLING OF TRUSSES. TRUSS SHOP DRAWINGS SHALL INCLUDE TRUSS DESIGN, PLACEMENT PLANS, DETS, & TRUSS TO TRUSS CONNECTIONS.
- TRUSS SHOP DRAWINGS SHALL BE SIGNED & SEALED BY THE DESIGNING ENGINEER.
- FOLLOWING DEVELOPMENT OF TRUSS SHOP DRAWINGS, ADJUSTMENTS TO THE ANCHOR REQUIREMENTS MAY BE REQUIRED DEPENDING ON THE ENGINEERED GRAVITY AND WIND UPLIFT REQUIREMENTS OF TRUSSES OR GIRDERS. THE CONTRACTOR SHALL MAKE AVAILABLE A COMPLETE SET OF TRUSS SHOP DRAWINGS TO THE ARCHITECT FOR THE PURPOSE OF REVIEW OF LOADS IMPOSED ON THE BALANCE OF THE STRUCTURE. ANY SUCH REQUIRED CHANGE SHALL BE INCORPORATED INTO THE CONSTRUCTION OF THIS STRUCTURE.



ROOFING METALS for FLASHING/ROOFING

MINIMUM THICKNESS REQUIREMENTS

MATERIAL	MINIMUM THICKNESS (in)	GAGE	WEIGHT (OZ.)
COPPER			16
ALUMINUM	0.024		
STAINLESS STEEL		28	
GALVANIZED STEEL	0.0178	26 (ZINC COATED G90)	
ZINC ALLOY LEAD PAINTED TERNE	0.021		40/20

Roofing/Flashing DETS.

SCALE: NONE

REVISIONS	DATE
October 27, 2020	

SOFTPLAN
ARCHITECTURAL DESIGN SOFTWARE

ROOF PLAN
SCALE: 3/16" = 1'-0"

A CUSTOM HOME DESIGN FOR:
AL & SERANA OTERO
PROJECT ADDRESS: LOT 6, West Paces SD, Lake City, Florida (Parcel: 32-32-16-02431-205)

ARCO TOOLS
Digitally signed by: N. P. GEISLER
DN: CN = N. P. GEISLER C = US
O = ARCO07005001 ARCHITECT
Date: 2020.11.02 09:22:05 -0500

NICHOLAS PAUL GEISLER ARCHITECT
N.C.A.R.B. certified (186) 352-6255
1758 NW Brown Rd.
Lake City, FL 32055

JOB NUMBER
20200320

SHEET NUMBER
S.2
OF 4 SHEETS

FLORIDA BUILDING CODE

Compliance Summary

TYPE OF CONSTRUCTION

Roof: Gable Construction, Wood Trusses @ 24" O.C.
 Walls: 2x 4 Wood Studs @ 16" O.C.
 Floor: 4" Thk. Concrete Slab W/ #4 rebar @ 24" O.C. ea. way.
 Foundation: Continuous monolithic footing or /Stem Wall foundation system

ROOF DECKING

Material: 5/8" CD Plywood or O.S.B.
 Sheet Size: 48"x96" Sheets Perpendicular to Roof Framing
 Fasteners: 8d Common or ring-shank nails per schedule on sheet S.4

SHEARWALLS

Material: 1/2" CD Plywood or 7/16" O.S.B.
 Sheet Size: 48"x96" Sheets Placed Vertical, stagger each sheet.
 Fasteners: 8d Common Nails @ 4" O.C. Edges & 8" O.C. Interior
 Dragstrut: Double Top Plate (S.Y.P.) W/16d Nails @ 12" O.C.
 Wall Studs: 2x4 Wood Studs @ 16" O.C.

HURRICANE UPLIFT CONNECTORS

Truss Anchors: SIMPSON H2.5A (OR EQUIVALENT), W/ 6 - 10d NAILS
 Wall Tension: Wall Sheathing Nailing is Adequate - 8d @ 4" O.C. Top & Bot.
 Anchor Bolts: 1/2" A307 Bolts @ 48" O.C. - 1st Bolt 6" from corner
 Corner Hold-down Device: (1) DTT2Z (or equiv.) @ each corner
 Porch Column Base Connector: Simpson ABU66/ABU66 @ each column
 Porch Column to Beam Connector: Simpson EPC66/PC66 @ each column

FOOTINGS AND FOUNDATIONS

Footing: 20" x 12" Cont. W/ (2) #5 Bars Cont. on chairs or (1) #3 Transverse @ 24" O.C.
 Stemwall: 6" C.M.U. W/ #5 Vertical Dowel @ 48" O.C.

STRUCTURAL DESIGN CRITERIA:

- THE DESIGN COMPLIES WITH THE REQUIREMENTS OF THE 2011 FLORIDA BUILDING CODE - PER FC02.1.1 AND OTHER REFERENCED CODES AND SPECIFICATIONS. ALL CODES AND SPECIFICATIONS SHALL BE LATEST EDITION AT TIME OF PERMIT.
- WIND LOAD CRITERIA: RISK CATEGORY: 2, EXPOSURE: "C"
 BASED ON ASCE 7-10, 2011 FBC 16-09-A WIND VELOCITY: $V_{ALL} = 130$ MPH
 $V_{ASD} = 101$ MPH
- ROOF DESIGN LOADS:
 SUPERIMPOSED DEAD LOADS: 20 PSF
 SUPERIMPOSED LIVE LOADS: 20 PSF
- FLOOR DESIGN LOADS:
 SUPERIMPOSED DEAD LOADS: 25 PSF
 SUPERIMPOSED LIVE LOADS:
 RESIDENTIAL: 40 PSF
 BALCONIES: 60 PSF
- WIND NET UPLIFT: ARE AS INDICATED ON PLANS

TERMITE PROTECTION NOTES:

SOIL CHEMICAL BARRIER METHOD:

- A PERMANENT SIGN WHICH IDENTIFIES THE TERMITE TREATMENT PROVIDER AND NEED FOR REINSPECTION AND TREATMENT CONTRACT RENEWAL SHALL BE PROVIDED. THE SIGN SHALL BE POSTED NEAR THE WATER HEATER OR ELECTRIC PANEL. FBC 104.2.6
- CONDENSATE AND ROOF DOWNSPOUTS SHALL DISCHARGE AT LEAST 1'-0" AWAY FROM BUILDING SIDE WALLS. FBC 1503.4.4
- IRRIGATION/SPRINKLER SYSTEMS INCLUDING ALL RISERS AND SPRAY HEADS SHALL NOT BE INSTALLED WITHIN 1'-0" FROM BUILDING SIDE WALLS. FBC 1503.4.4
- TO PROVIDE FOR INSPECTION FOR TERMITE INFESTATION, BETWEEN WALL COVERINGS AND FINAL EARTH GRADE SHALL NOT BE LESS THAN 6".
 EXCEPTION: PAINT AND DECORATIVE CEMENTIOUS FINISH LESS THAN 5/8" THICK ADHERED DIRECTLY TO THE FOUNDATION WALL. FBC 1403.1.6
- INITIAL TREATMENT SHALL BE DONE AFTER ALL EXCAVATION AND BACKFILL IS COMPLETE. FBC 1816.1.1
- SOIL DISTURBED AFTER THE INITIAL TREATMENT SHALL BE RETREATED INCLUDING SPACES BOXED OR FORMED. FBC 1816.1.2
- BOXED AREAS IN CONCRETE FLOOR FOR SUBSEQUENT INSTALLATION OF TRAPS, ETC., SHALL BE MADE WITH PERMANENT METAL OR PLASTIC FORMS. PERMANENT FORMS MUST BE OF A SIZE AND DEPTH THAT WILL ELIMINATE THE DISTURBANCE OF SOIL AFTER THE INITIAL TREATMENT. FBC 1816.1.3
- MINIMUM 6 MIL VAPOR RETARDER MUST BE INSTALLED TO PROTECT AGAINST RAINFALL DILUTION. IF RAINFALL OCCURS BEFORE VAPOR RETARDER PLACEMENT, RETREATMENT IS REQUIRED. FBC 1816.1.4
- CONCRETE OVERPOUR AND MORTAR ALONG THE FOUNDATION PERIMETER MUST BE REMOVED BEFORE EXTERIOR SOIL TREATMENT. FBC 1816.1.5
- SOIL TREATMENT MUST BE APPLIED UNDER ALL EXTERIOR CONCRETE OR GRADE WITHIN 1'-0" OF THE STRUCTURE SIDEWALLS. FBC 1816.1.6
- AN EXTERIOR VERTICAL CHEMICAL BARRIER MUST BE INSTALLED AFTER CONSTRUCTION IS COMPLETE INCLUDING LANDSCAPING AND IRRIGATION. ANY SOIL DISTURBED AFTER THE VERTICAL BARRIER IS APPLIED, SHALL BE RETREATED. FBC 1816.1.6
- ALL BUILDINGS ARE REQUIRED TO HAVE PER-CONSTRUCTION TREATMENT. FBC 1816.1.7
- A CERTIFICATE OF COMPLIANCE MUST BE ISSUED TO THE BUILDING DEPARTMENT BY # LICENSED PEST CONTROL COMPANY BEFORE A CERTIFICATE OF OCCUPANCY WILL BE ISSUED. THE CERTIFICATE OF COMPLIANCE SHALL STATE: "THE BUILDING HAS RECEIVED A COMPLETE TREATMENT FOR THE PREVENTION OF SUBTERRANEAN TERMITES. THE TREATMENT IS IN ACCORDANCE WITH THE RULES AND LAWS OF THE FLORIDA DEPARTMENT OF AGRICULTURE AND CONSUMER SERVICES". FBC 1816.1.7
- AFTER ALL WORK IS COMPLETED, LOOSE WOOD AND FILL MUST BE REMOVED FROM BELOW AND WITHIN 1'-0" OF THE BUILDING. THIS INCLUDES ALL GRADE STAKES, TUB TRAP BOXES, FORMS, SHORING OR OTHER CELLULOSE CONTAINING MATERIAL. FBC 2303.1.3
- NO WOOD, VEGETATION, STUMPS, CARDBOARD, TRASH, ETC., SHALL BE BURIED WITHIN 15'-0" OF ANY BUILDING OR PROPOSED BUILDING. FBC 2303.1.4

FRAMING ANCHOR SCHEDULE

APPLICATION	MANUF/R/MODEL	CAP.
TRUSSES TO WALL:	SIMPSON H2.5A (OR EQUIVALENT), W/ 6 - 10d NAILS	960#
GIRDER TRUSS TO POST/HEADER:	SIMPSON LGT, W/ 28 - 16d NAILS	1785#
HEADER TO KING STUD(S):	SIMPSON ST22	1370#
PLATE TO STUD:	SIMPSON SP2	1065#
STUD TO SILL:	SIMPSON SP1	585#
PORCH BEAM TO POST:	SIMPSON PC44/EPC44	1700#
PORCH POST TO FND.:	SIMPSON ABU44	2200#
MISC. JOINTS	SIMPSON A34	315#/240#

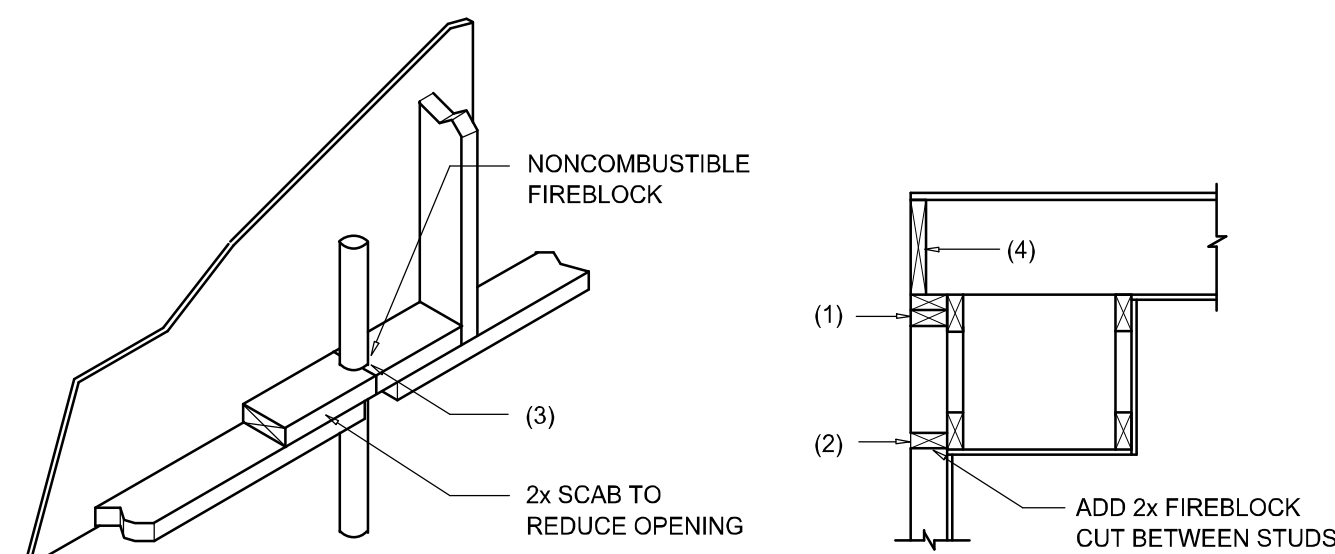
NOTE:
 ALL ANCHORS SHALL BE SECURED W/ NAILS AS PRESCRIBED BY THE MANUFACTURER FOR MAXIMUM JOINT STRENGTH, UNLESS NOTED OTHERWISE.

NOTE:
 REFER TO THE INCLUDED STRUCTURAL DETAILS FOR ADDITIONAL ANCHORS/ JOINT REINFORCEMENT AND FASTENERS.

NOTE:
 ALL UNLISTED JOINTS IN THE LOAD PATH SHALL BE REINFORCED WITH SIMPSON A34 FRAMING ANCHORS, TYPICAL T.O.

NOTE:
 "SEMCO" PRODUCT APPROVAL:
 MIAMI/DADE COUNTY REPORT #95-0818.15

NOTE:
 "SIMPSON" PRODUCT APPROVALS:
 MIAMI/DADE COUNTY REPORT #97-0107.05, #96-1126.11, #99-0623.04
 SBCC1-NER-443, NCR-393



PENETRATIONS

SOFFIT/DROPPED CLG.

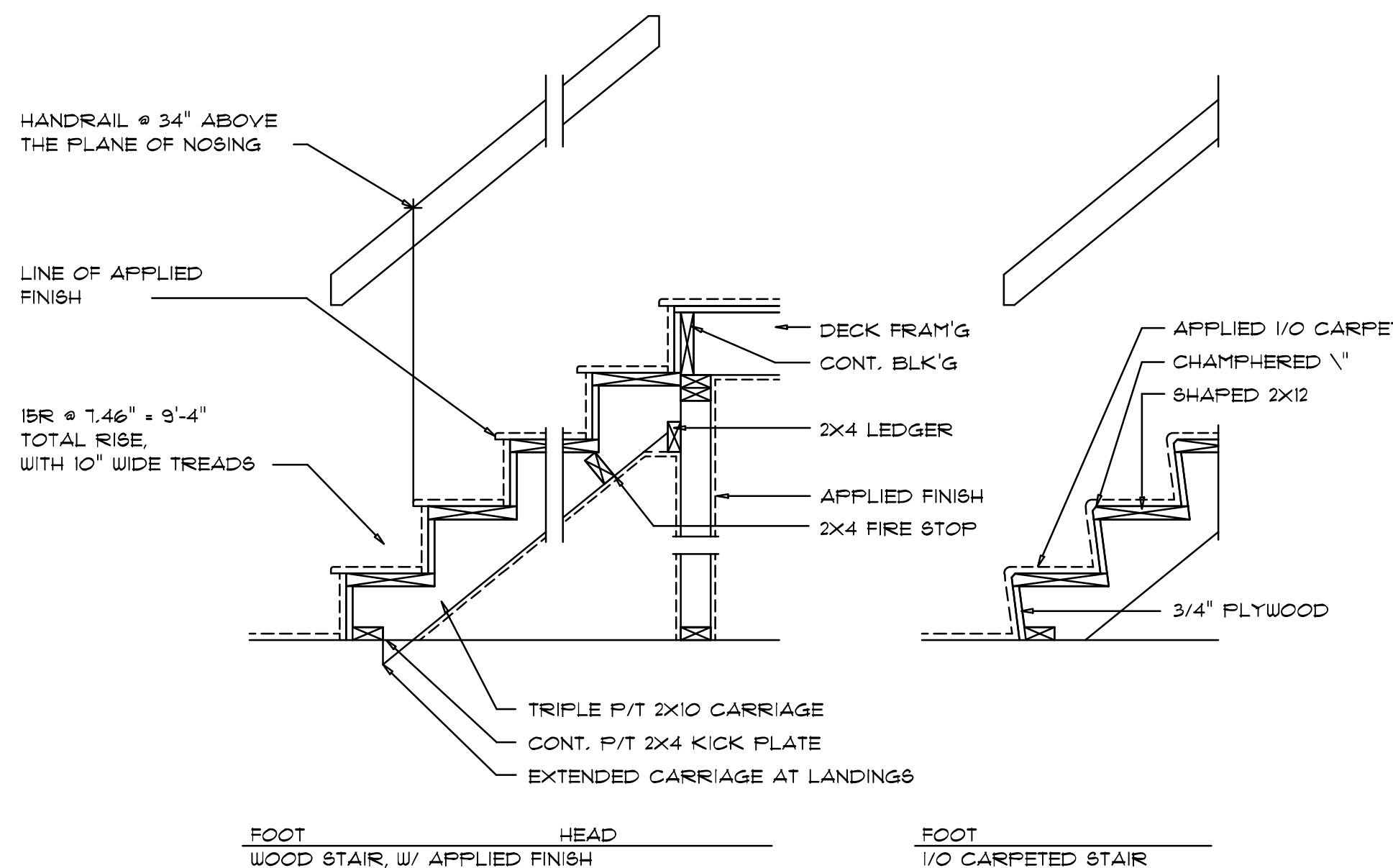
FIREBLOCKING NOTES:

FIREBLOCKING SHALL BE INSTALLED IN WOOD FRAME CONSTRUCTION IN THE FOLLOWING LOCATIONS:

- IN CONCEALED SPACES OF STUD WALLS AND PARTITIONS INCLUDING FURRED SPACES AT CEILING AND FLOOR LEVELS.
- AT ALL INTERCONNECTIONS BETWEEN CONCEALED VERTICAL AND HORIZONTAL SPACES SUCH AS OCCUR AT SOFFITS, DROP CEILINGS, COVE CEILINGS, ETC.
- AT OPENINGS AROUND VENTS, PIPES, DUCTS, CHIMNEYS AND FIREPLACES AT CEILING AND FLOOR LEVELS WITH "PYROPANEL MULTIFLEX SEALANT"
- AT ALL INTERCONNECTIONS BETWEEN CONCEALED VERTICAL STUD WALL OR PARTITION SPACES AND CONCEALED SPACES CREATED BY AN ASSEMBLY OF FLOOR JOISTS, FIREBLOCKING SHALL BE PROVIDED FOR THE FULL DEPTH OF THE JOISTS AT THE ENDS AND OVER THE SUPPORTS.

Fire Stopping DETAILS

SCALE: NONE



Typical Stair DETAIL

SCALE: 3/4" = 1'-0"

NOTE: ALL DRAWINGS NOT TO BE SCALED, WRITTEN DIMENSIONS TAKE PRECEDENCE OVER SCALED DIMENSIONS

BUILDING COMPONENTS & CLADDING LOADS
 MEAN BUILDING HEIGHT = 30.0', EXPOSURE "B"
 ROOF ANGLE 21° TO 45°

ZONE	WIND DIR.	Vult			
		120 MPH	120 MPH	130 MPH	140 MPH
1	10	19.9 / -21.8	23.1 / -25.3	27.8 / -30.4	32.3 / -35.3
	20	19.4 / -20.7	22.0 / -24.6	27.0 / -29.3	31.4 / -33.9
2	10	19.9 / -25.5	23.1 / -30.3	27.8 / -35.6	32.3 / -41.2
	20	19.4 / -24.3	22.0 / -29.0	27.0 / -34.0	31.4 / -39.4
3	10	19.9 / -25.5	23.1 / -30.3	27.8 / -35.6	32.3 / -41.2
	20	19.4 / -24.3	22.0 / -29.0	27.0 / -34.0	31.4 / -39.4
4	10	21.8 / -23.6	25.9 / -34.1	30.4 / -33.0	35.3 / -38.2
	20	20.8 / -22.6	24.7 / -26.9	29.0 / -31.6	33.7 / -36.7
5	10	21.8 / -29.1	25.9 / -34.1	30.4 / -40.7	35.3 / -47.2
	20	19.5 / -24.6	23.2 / -29.3	27.2 / -34.3	31.6 / -39.8

HEIGHT & EXPOSURE ADJUSTMENT COEFFICIENTS
 FOR BUILDING COMPONENTS & CLADDING

BLDG HEIGHT	EXPOSURE "B"	EXPOSURE "C"	EXPOSURE "D"
15	1.00	1.21	1.41
20	1.00	1.29	1.55
25	1.00	1.35	1.61
30	1.00	1.40	1.66

BUILDING COMPONENTS & CLADDING LOADS
 MEAN BUILDING HEIGHT = 30.0', EXPOSURE "B"
 ROOF ANGLE 1° TO 21°

ZONE	WIND DIR.	Vult			
		120 MPH	120 MPH	130 MPH	140 MPH
1	10	12.0 / -19.9	14.9 / -23.7	17.5 / -27.8	20.3 / -32.3
	20	11.4 / -19.4	13.6 / -23.0	16.0 / -27.0	18.5 / -31.4
2	10	12.5 / -34.7	14.9 / -41.3	17.5 / -48.4	20.3 / -56.2
	20	11.4 / -31.9	13.6 / -38.0	16.0 / -44.6	18.5 / -51.7
3	10	12.5 / -51.3	14.9 / -61.0	17.5 / -71.6	20.3 / -83.1
	20	11.4 / -47.9	13.6 / -57.1	16.0 / -67.0	18.5 / -77.7
4	10	21.8 / -23.6	25.9 / -34.1	30.4 / -33.0	35.3 / -38.2
	20	20.8 / -22.6	24.7 / -26.9	29.0 / -31.6	33.7 / -36.7
5	10	21.8 / -29.1	25.9 / -34.1	30.4 / -40.7	35.3 / -47.2
	20	19.5 / -24.6	23.2 / -29.3	27.2 / -34.3	31.6 / -39.8

HEIGHT & EXPOSURE ADJUSTMENT COEFFICIENTS
 FOR BUILDING COMPONENTS & CLADDING

BLDG HEIGHT	EXPOSURE "B"	EXPOSURE "C"	EXPOSURE "D"
15	1.00	1.21	1.41
20	1.00	1.29	1.55
25	1.00	1.35	1.61
30	1.00	1.40	1.66

General Roofing NOTES:

DECK REQUIREMENTS:
 ASPHALT SHINGLES SHALL BE FASTENED TO SOLIDLY SHEATHED DECKS.

SLOPE:
 ASPHALT SHINGLES SHALL BE USED ONLY ON ROOF SLOPES OF 2:12 OR GREATER. FOR ROOF SLOPES FROM 2:12 TO 4:12, DBL. UNDERLAYMENT IS REQUIRED.

UNDERLAYMENT:
 UNLESS OTHERWISE NOTED, UNDERLAYMENT SHALL CONFORM W/ ASTM D 226, TYPE 1, OR ASTM D 4869, TYPE 1.

SELF-ADHERING POLYMER MODIFIED BITUMEN SHEET:
 SELF ADHERING POLYMER MODIFIED BITUMEN SHALL COMPLY W/ ASTM D 1970.

ASPHALT SHINGLES:
 ASPHALT SHINGLES SHALL HAVE SELF SEAL STRIPS OR BE INTERLOCKING, AND COMPLY WITH ASTM D 225 OR ASTM D 3462.

FASTENERS:
 FASTENERS FOR ASPHALT SHINGLES SHALL BE GALVANIZED, STAINLESS STEEL, ALUMINUM OR COPPER ROOFING NAILS, MINIMUM 12 GAUGE SHANK WITH A MINIMUM 3/8 INCH DIAMETER HEAD, OF A LENGTH TO PENETRATE THROUGH THE ROOFING MATERIAL AND A MINIMUM 3/4" INTO THE ROOF SHEATHING. WHERE THE SHEATHING IS LESS THAN 3/4" THICK, THE NAILS SHALL PENETRATE THROUGH THE SHEATHING.

ATTACHMENT:
 ASPHALT SHINGLES SHALL BE SECURED TO THE ROOF WITH NOT LESS THAN FOUR FASTENERS PER STRIP SHINGLE OR TWO FASTENERS PER INDIVIDUAL SHINGLE. WHERE ROOFS LOCATED IN BASIC WIND SPEED OF 110 MPH OR GREATER, SPECIAL METHODS OF FASTENING ARE REQUIRED. UNLESS OTHERWISE NOTED, ATTACHMENT OF ASPHALT SHINGLES SHALL CONFORM WITH ASTM D 3161 OR M-DC PA 107-95.

UNDERLAYMENT APPLICATION:
 FOR ROOF SLOPES FORM 2:12 TO 4:12, UNDERLAYMENT SHALL BE A MINIMUM OF TWO LAYERS APPLIED AS FOLLOWS:
 1. STARTING AT THE EAVE, A 19 INCH STRIP OF UNDERLAYMENT SHALL BE APPLIED PARALLEL WITH THE EAVE AND FASTENED SUFFICIENTLY TO STAY IN PLACE.

2. STARTING AT THE EAVE, 36 INCH WIDE STRIPS OF UNDERLAYMENT FELT SHALL BE APPLIED OVERLAPPING SUCCESSIVE SHEETS 19 INCHES AND FASTENED SUFFICIENTLY TO STAY IN PLACE.

FOR ROOF SLOPED 4:12 AND GREATER, UNDERLAYMENT SHALL BE A MINIMUM OF ONE LAYER OF UNDERLAYMENT FELT APPLIED AS FOLLOWS:
 STARTING AT THE EAVE, UNDERLAYMENT SHALL BE APPLIED SHINGLE FASHION PARALLEL TO THE EAVE, LAPPED 2 INCHES, AND FASTENED SUFFICIENTLY TO STAY IN PLACE.

BASE AND CAP FLASHINGS:
 BASE AND CAP FLASHING SHALL BE INSTALLED IN ACCORDANCE W/ MFG'S INSTALLATION INSTRUCTIONS. BASE FLASHING SHALL BE OF EITHER CORROSION RESISTANT METAL OF MINIMUM NOMINAL THICKNESS 0.019 INCH OR MINERAL SURFACE ROLL ROOFING WEIGHING A MINIMUM OF 77 LBS PER 100 SQUARE FEET. CAP FLASHING SHALL BE CORROSION RESISTANT METAL OF MINIMUM NOMINAL THICKNESS OF 0.019 INCH.

VALLEYS:
 VALLEY LININGS SHALL BE INSTALLED IN ACCORDANCE W/ MANUFACTURER'S INSTALLATION INSTRUCTIONS BEFORE APPLYING ASPHALT SHINGLES. VALLEY LININGS OF THE FOLLOWING TYPES SHALL BE PERMITTED.

- FOR OPEN VALLEYS LINED WITH METAL, THE VALLEY LINING SHALL BE AT LEAST 16" WIDE AND OF ANY OF THE CORROSION RESISTANT METALS IN FBC TABLE 1507.3.9.2.
- FOR OPEN VALLEYS, VALLEY LINING OF TWO PLYS OF MINERAL SURFACE ROLL ROOFING SHALL BE PERMITTED. THE BOTTOM LAYER SHALL BE 18 INCHES AND THE TOP LAYER A MINIMUM OF 36 INCHES WIDE.
- FOR CLOSED VALLEYS VALLEY LINING SHALL BE ONE OF THE FOLLOWING:
 1. BOTH TYPES 1 AND 2 ABOVE, COMBINED.
 2. ONE PLY OF SMOOTH ROLL ROOFING AT LEAST 36 INCHES WIDE AND COMPLYING WITH ASTM D 224.
 3. SPECIALTY UNDERLAYMENT AT LEAST 36 INCHES WIDE AND COMPLYING WITH ASTM D 1970.

NOTE !!!
 ROOFING SHINGLES SHALL BE AS MANUFACTURED BY "TAMKO ROOFING PRODUCTS" OF THE FOLLOWING MODELS:

- GLASS-SEAL AR
- ELITE GLASS-SEAL AR
- HERITAGE 30 AR
- HERITAGE 40 AR
- HERITAGE 50 AR

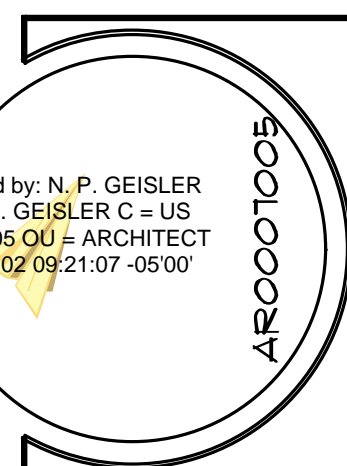
THESE SHINGLES MEET THE REQUIREMENTS OF ASTM D-3161 TYPE 1 MODIFIED TO 110 MPH WINDS & FBC TAS 100, USING 4 NAILS/SHINGLE

REVISIONS	October 27, 2020
-----------	------------------



DETAILS SHEET
 SCALE: 1/4" = 1'-0"

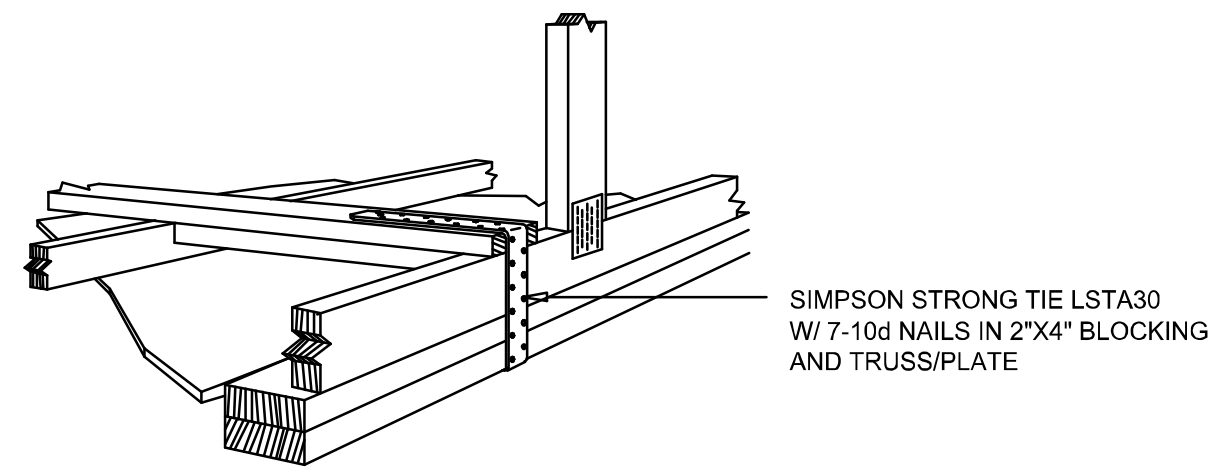
A CUSTOM HOME DESIGN FOR:
AL & SERANA OTERO
 PROJECT ADDRESS: LOT 6, West Paces S/D, Lake City, Florida (Parcel: 32-35-16-0431-206)



NICHOLAS PAUL GEISLER ARCHITECT
 1758 NW Brown Rd
 Lake City, FL 32055
 (386) 365-4355
 N.C.A.R.B. Certified

JOB NUMBER
 20200320

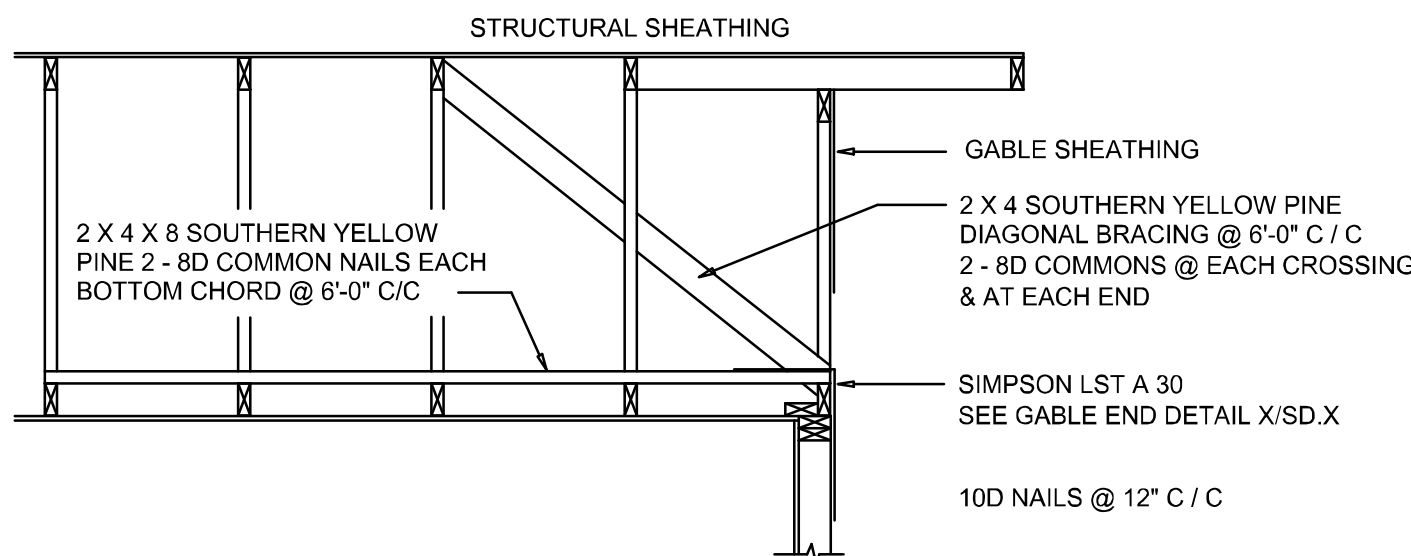
SHEET NUMBER
 S.3
 OF 4 SHEETS



GABLE END GYPSUM DIAPHRAGM HOLDDOWN CONNECTOR

SCALE: NONE

A.1

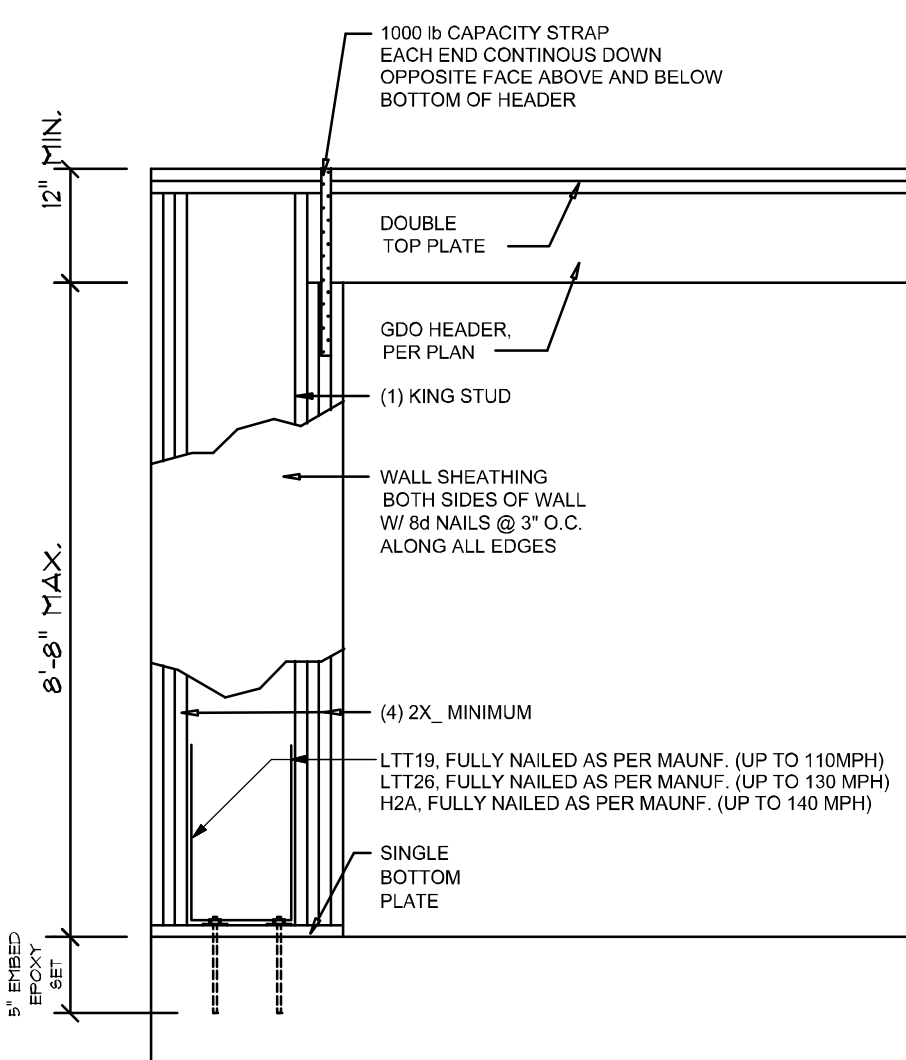


END WALL BRACING FOR CEILING DIAPHRAGM

NTS (ALTERNATIVE TO BALLOON FRAMING)
NOTE: ALL WOOD TO BE NUMBER 2 GRADE SOUTHERN YELLOW PINE

A

BUILDING COMPONENTS & CLADDING LOADS MEAN BUILDING HEIGHT = 30.0', EXPOSURE "B"					
ZONE	AREA	Vult 110 MPH	Vult 120 MPH	Vult 130 MPH	Vult 140 MPH
1	10	12.0 / -18.9	14.9 / -23.7	17.5 / -27.8	20.3 / -32.3
	20	11.4 / -18.4	13.6 / -23.0	16.0 / -27.0	18.5 / -31.4
	50	10.0 / -18.6	11.9 / -22.2	13.9 / -26.0	16.1 / -30.2
2	10	12.5 / -34.7	14.9 / -41.3	17.5 / -48.4	20.3 / -56.2
	20	11.4 / -31.9	13.6 / -38.0	16.0 / -44.6	18.5 / -51.7
	50	10.0 / -28.2	11.9 / -33.6	13.9 / -39.4	16.1 / -45.7
3	10	12.5 / -51.3	14.9 / -61.0	17.5 / -71.6	20.3 / -83.1
	20	11.4 / -47.9	13.6 / -57.1	16.0 / -67.0	18.5 / -77.7
	50	10.0 / -43.5	11.9 / -51.8	13.9 / -60.8	16.1 / -70.5
4	10	21.8 / -23.6	25.9 / -34.7	30.4 / -33.0	35.3 / -38.2
	20	20.8 / -22.6	24.7 / -26.9	29.0 / -31.6	33.7 / -36.7
	50	19.5 / -21.3	23.2 / -25.4	27.2 / -29.8	31.6 / -34.6
5	10	21.8 / -29.1	25.9 / -34.7	30.4 / -40.7	35.3 / -47.2
	20	20.8 / -27.2	24.7 / -32.4	29.0 / -38.0	33.7 / -44.0
	50	19.5 / -24.6	23.2 / -29.3	27.2 / -34.3	31.6 / -39.8



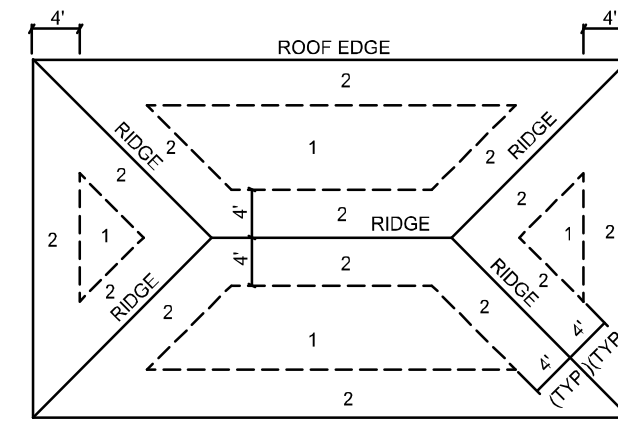
Garage End Wall DETAIL

SCALE: NTS

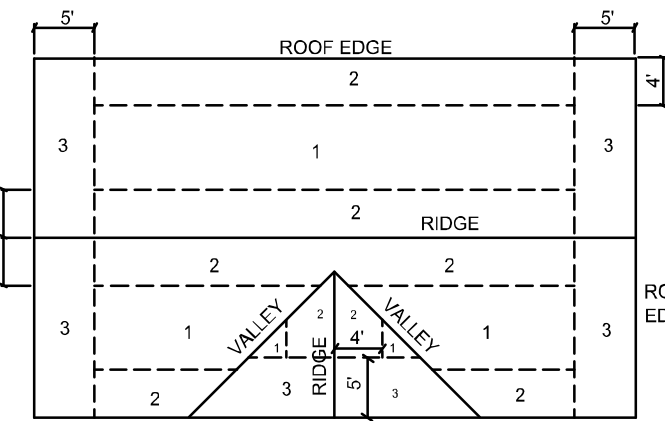
G

ROOF SHEATHING FASTENINGS			
NAILING ZONE	SHEATHING TYPE	FASTENER	SPACING
1	7/16" O.S.B. OR 15/32 CDX	6d COMMON OR 6d RING-SHANK GALVANIZED BOX NAILS	6 in. o.c. EDGE 12 in. o.c. FIELD
2			6 in. o.c. EDGE 6 in. o.c. FIELD
3			4 in. o.c. @ GABLE ENDWALL OR GABLE TRUSS 6 in. o.c. EDGE 6 in. o.c. FIELD

HEIGHT & EXPOSURE ADJUSTMENT COEFFICIENTS FOR BUILDING COMPONENTS & CLADDING				
BLDG HEIGHT	EXPOSURE "B"	EXPOSURE "C"	EXPOSURE "D"	
15	1.00	1.21	1.47	
20	1.00	1.29	1.55	
25	1.00	1.35	1.61	
30	1.00	1.40	1.66	



ROOF SHEATHING NAILING ZONES (HIP ROOF)



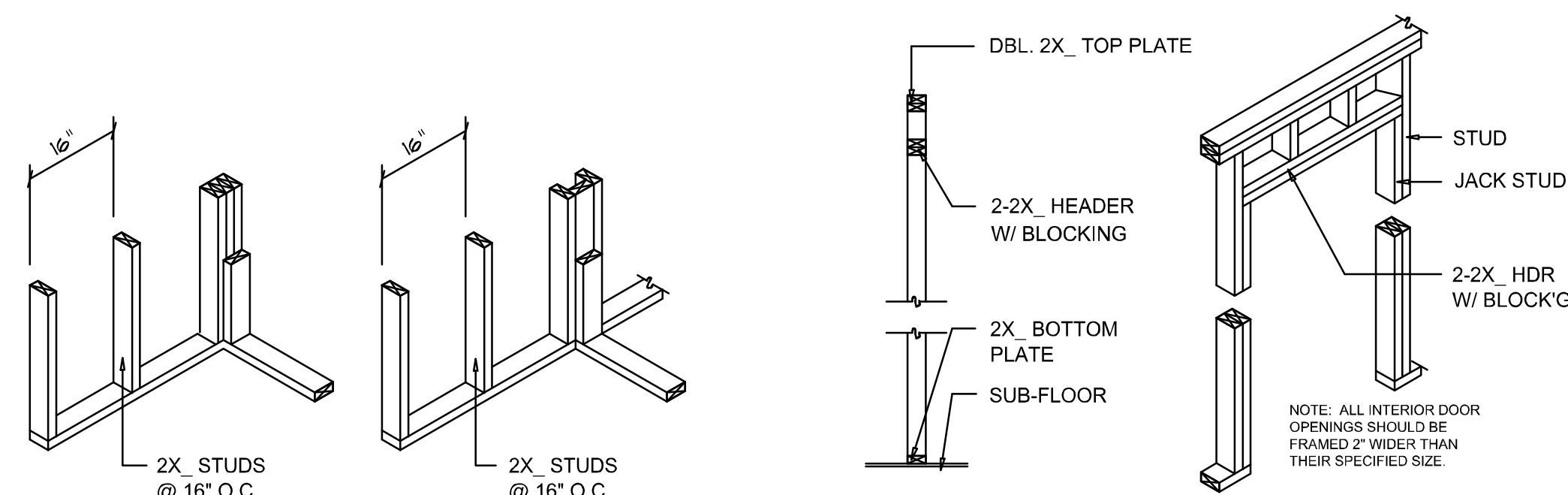
ROOF SHEATHING NAILING ZONES (GABLE ROOF)

Roof Nail Pattern DET.

SCALE: NONE

B

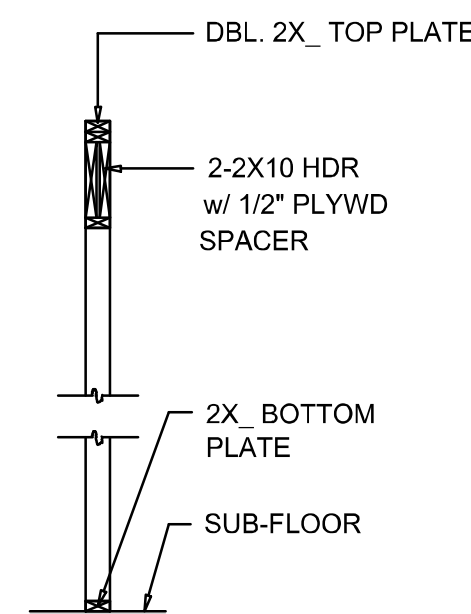
HEADER SPANS FOR EXTERIOR BEARING WALLS						
HEADERS SUPPORTING:	HEADER SIZE	BUILDING WIDTH (FT)				
		20'		28'		36'
		SPAN	# JACKS	SPAN	# JACKS	SPAN # JACKS
ROOF, CEILING	2-2x4	3'-6"	1	3'-2"	1	2'-10" 1
	2-2x6	5'-5"	1	4'-8"	1	4'-2" 1
	2-2x8	6'-10"	1	5'-11"	2	5'-4" 1
	2-2x10	8'-5"	2	7'-3"	2	6'-6" 2
	2-2x12	9'-9"	2	8'-5"	2	7'-6" 2
	3-2x8	8'-4"	1	7'-5"	1	6'-8" 1
	3-2x10	10'-6"	1	9'-1"	2	8'-2" 1
	3-2x12	12'-2"	2	10'-7"	2	9'-5" 2
	4-2x8	9'-2"	1	8'-4"	1	9'-2" 1
	4-2x10	11'-8"	1	10'-6"	1	9'-5" 1
4-2x12	14'-1"	1	12'-2"	2	10'-11" 1	



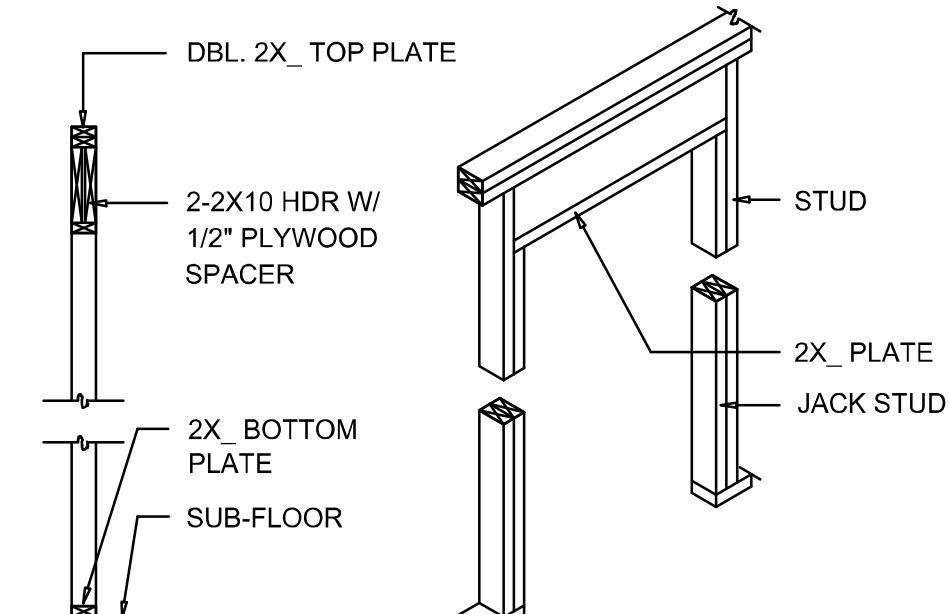
WALL CORNER

WALL INTERSECTION

NON-BEARING WALL HEADER



TYPICAL WINDOW HEADER

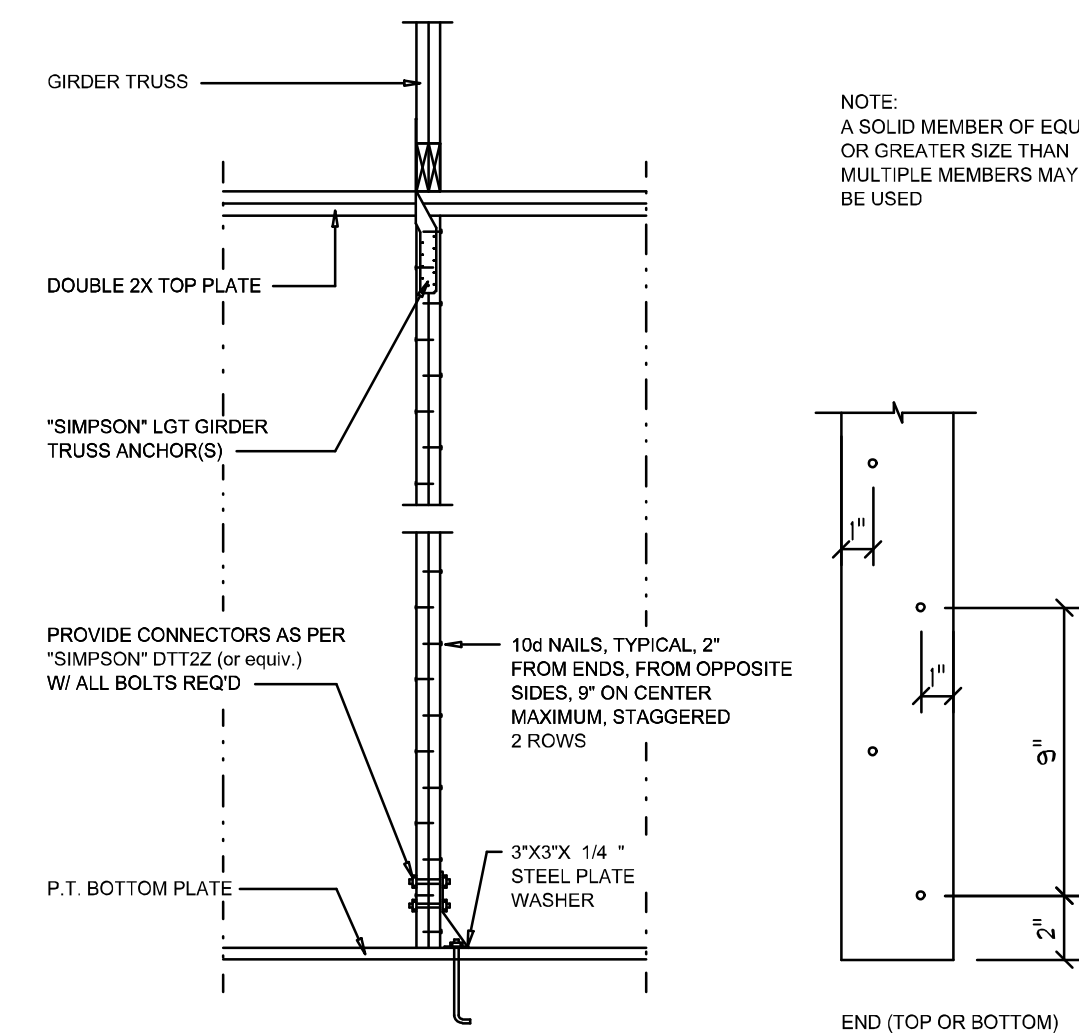


BEARING WALL HEADER

Wall Framing/Header DETAILS

SCALE: NONE

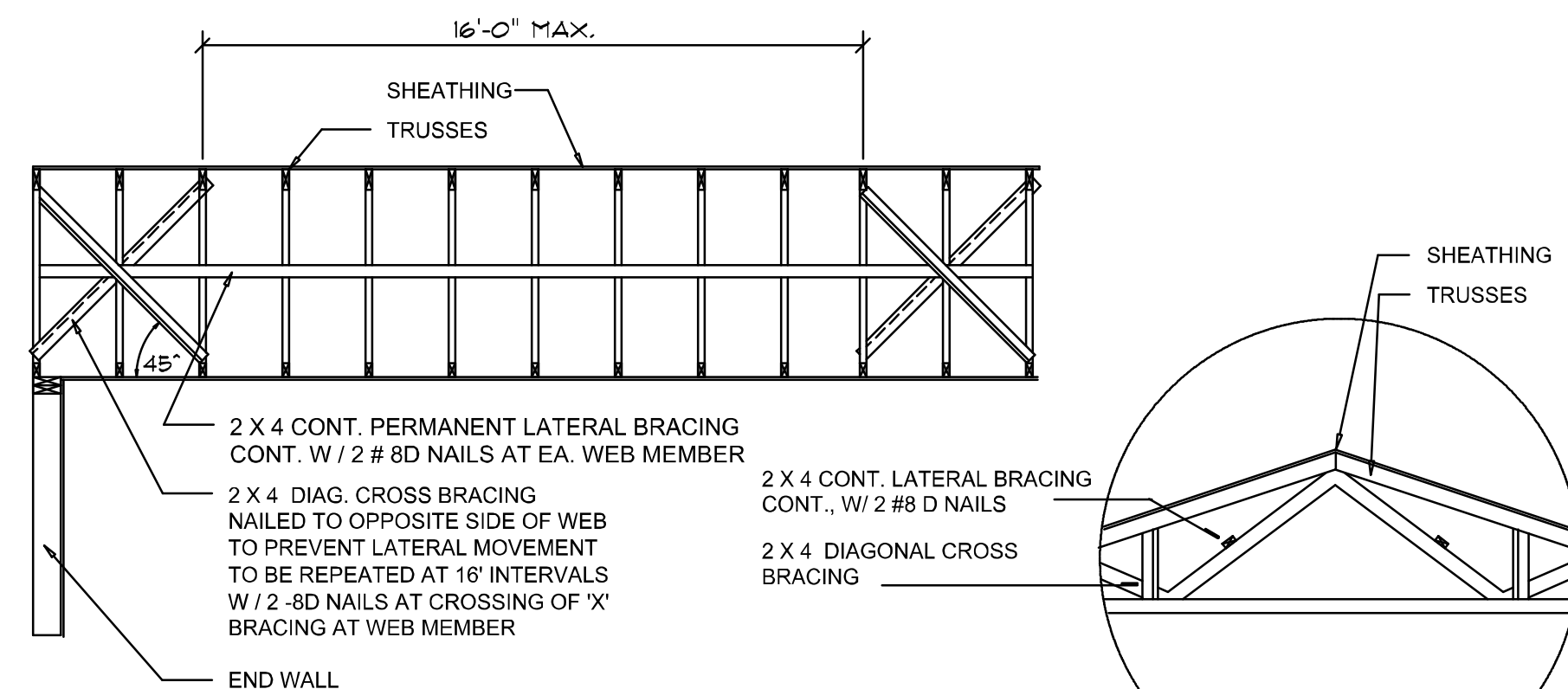
F



Girder Truss Column DET.

SCALE: 1/2" = 1'-0"

C



TYP. PERMANENT TRUSS BRACING DIA.

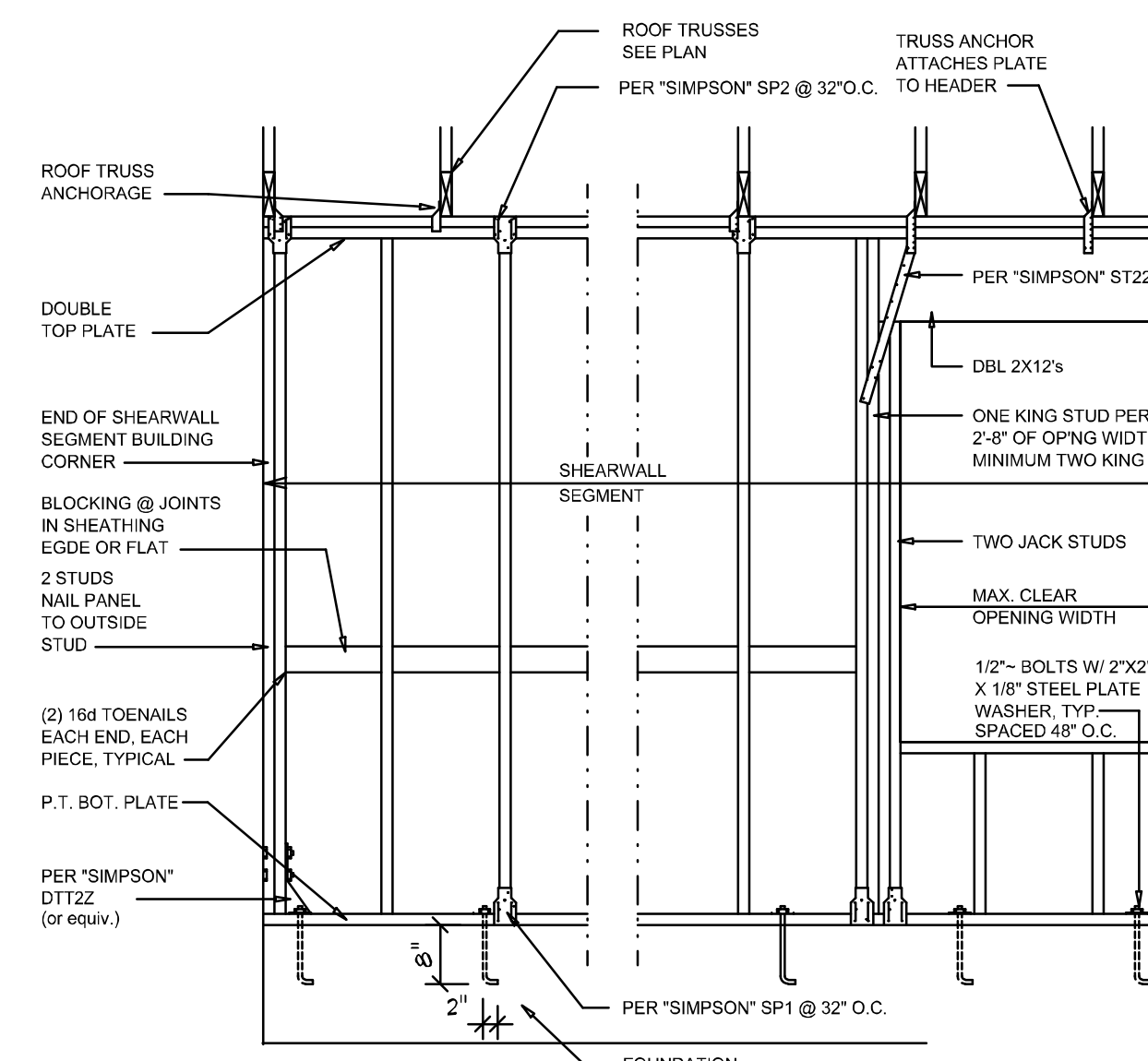
NTS

NOTE: ALL WOOD TO BE NUMBER 2 GRADE SOUTHERN YELLOW PINE

Truss Bracing DETAILS

SCALE: AS NOTED

D



SHEARWALL NOTES:

- ALL SHEARWALLS SHALL BE TYPE 2 SHEARWALLS AS DEFINED BY STD 19-97 SBC01.305.4.3.
- THE WALL SHALL BE ENTIRELY SHEATHED WITH 7/16" O.S.B. INCLUDING AREAS ABOVE AND BELOW OPENING S.
- ALL SHEATHING SHALL BE ATTACHED TO FRAMING ALONG ALL FOUR EDGES WITH JOINTS FOR ADJACENT PANELS OCCURRING OVER COMMON FRAMING MEMBERS OR ALONG BLOCKING.
- NAIL SPACING SHALL BE 4" O.C. EDGES AND 8" O.C. IN THE FIELD.
- TYPE 2 SHEARWALLS ARE DESIGNED FOR THE OPENING IT CONTAINS. MAXIMUM HEIGHT OF OPENING SHALL BE 50 TIMES THE WALL HEIGHT. THE MINIMUM DISTANCE BETWEEN OPENINGS SHALL BE THE WALL HEIGHT/3.5 FOR 8'-0" WALLS (2'-3").

OPENING WIDTH	SILL PLATES	16d TOE NAILS EACH END
UP TO 6'-0"	(1) 2x4 OR (1) 2x6	1
> 6' TO 9'-0"	(3) 2x4 OR (1) 2x6	2
> 9' TO 12'-0"	(5) 2x4 OR (2) 2x6	3

Shear Wall DETAILS

SCALE: NONE

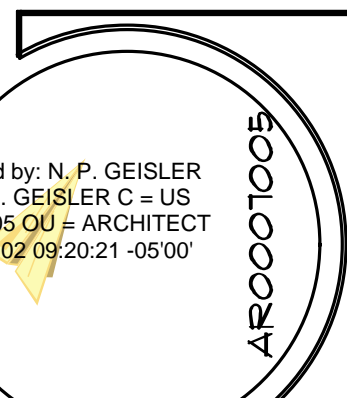
E

REVISIONS
October 27, 2020



DETAILS SHEET
SCALE: 1/4" = 1'-0"

A CUSTOM HOME DESIGN FOR:
AL & SERANA OTERO
PROJECT ADDRESS: LOT 6, West Paces S/D, Lake City, Florida (Parcel: 32-35-16-02431-20)



Digitally signed by: N. P. GEISLER
DN: cn = N. P. GEISLER, c = US
o = ARCO TOOLS OU = ARCHITECT
Date: 2020.11.02 09:20:21 -0500

NICHOLAS PAUL GEISLER ARCHITECT
1758 NW Brown Rd.
Lake City, FL 32055
N.C.A.R.B. Certified (386) 365-4355

JOB NUMBER
20200320

SHEET NUMBER
S.4
OF 4 SHEETS

NOTE: ALL DRAWINGS NOT TO BE SCALED, WRITTEN DIMENSIONS TAKE PRECEDENCE OVER SCALED DIMENSIONS