



COLUMBIA COUNTY FIRE RESCUE

P.O. BOX 1529 Lake City, Florida 32056
Office (386) 754-7071 Fax (386) 754-7064

Fire Chief
David L. Boozer

04 September 2014

TO: Troy Crews
Columbia County Building and Zoning

FROM: David L. Boozer
Fire Chief

RE: Permit # 1408-28
U.S. Cold Storage
Second Floor Office Build-out
Lake City, Florida

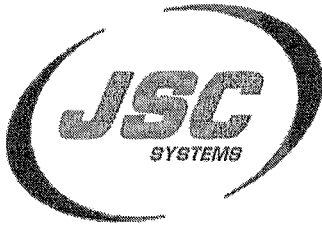
A plans review was performed of the submitted plans for the Second Floor Office Build-out of the U. S. Cold Storage facility located at 211 McCloskey Ave, Lake City, FL 32055. This building falls under Chapter 38, of the Florida Fire Prevention Code, 2010 edition. I recommend approval.

Should you require any additional information, please feel free to contact my office.

Sincerely,

David L. Boozer

3 2267



October 15, 2014

Westside Electric Inc.
4031 Faye Road
Jacksonville, FL 32226

Re: US Cold Storage Adds
JSC Job#: G14-031

Dear Sir / Ma'am

We submit the following information and attached data sheets on the proposed equipment for the **Fire Alarm System** of the above-referenced project

MANUFACTURER	MODEL	DESCRIPTION
SIL	005495	Notification Power Expander
SIL	SD505-APS	Addressable Photo Smoke Head
SII	SD505-DUCTR	Addressable Duct Smoke
SIL	SD500-AIM	Addressable Monitor Module
SIL	P2R	Multi-Candela Horn Strobe
SIL	PC2R	Multi-Candela Horn Strobe Ceiling Mt
SIL	SR	Multi-Candela Strobe
SIL	SD500-PS	Addressable Manual Pull Station
EDC	FAS120AC	120V AC Hardwired Surge Suppressor

If you need any additional information or have any questions, please feel free to contact Tracy Roszak at (352) 378-9777

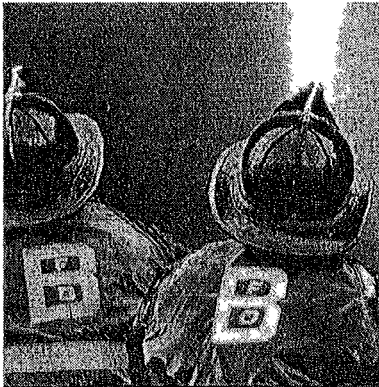
Sincerely,

Tracy Roszak

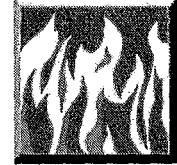
Tracy Roszak
Branch Manager

Please return approved submittal to t.roszak@jscsystems.net

- 5021 Stepp Avenue Jacksonville, FL 32216 904 737-3511
- 605 N W 53rd Avenue Gainesville, FL 32609 352-378-9777
- 3644 Hartsfield Road, #D Tallahassee, FL 32303 850-656-1705
- 2219-B Rowland Ave. Savannah, GA 31404 912-303-0310
- 1985 Corporate Square Longwood, FL 32750 407-332-1985
- 3525 Ironhorse Dr, Suite 105 Ladson, SC 29456 843-416-1042



Model 5495 Distributed Power Module



**In an emergency,
you need maximum power.**

The 5495 Distributed Power Module by Silent Knight is the most powerful and cost-effective power supply available today. It delivers 6 amps of notification appliance circuit power and built-in synchronization for appliances from System Sensor®, Gentex®, AMSECO®, Wheelock and Faraday — what you need to drive power-hungry components like ADA notification appliances. The 5495's advanced microprocessor design is years ahead of the competition. Its switch mode power supply design is up to 50% more efficient than competitive linear mode power supplies. And, ADA retrofits are easier and less expensive with the 5495 because it integrates into current systems without the costly investment in new components.

For the most sophisticated and cost-effective notification power supply available, you need the 5495. Call Silent Knight today for more information at 1-800-446-6444

Model 5495 Distributed Power Module

The 5495 is a 6 amp notification power expander that provides its own AC power connection, battery charging circuit, and backup battery for use with fire and security controls such as the Silent Knight Model 5208 Fire Control /Communicator. The 5495 is the cost-effective solution for powering notification appliances required by the Americans with Disabilities Act (ADA). The 5495 has built-in ANSI cadence pattern, which can upgrade older control panels that lack cadence capability.

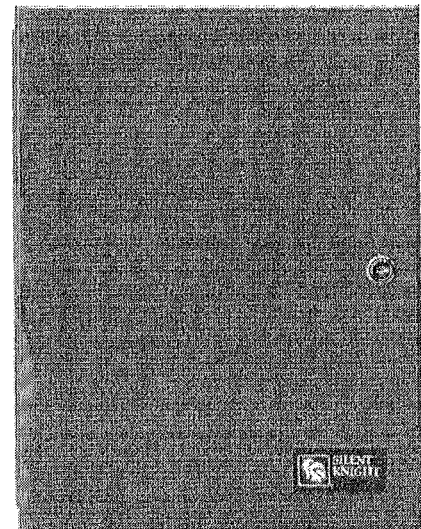
Features

- UL Listed for 6 amps of notification power
- Power supply's advanced switch mode design reduces damaging heat and manages power up to 50% more efficiently than other systems
- Dip switches allow for easy reconfiguration
- 24 VDC filtered output voltage
- Four power-limited notification outputs, 2 Class A or 4 Class B, or 1 Class A and 2 Class B
- Additional continuous auxiliary output
- 3 amps per output circuit
- 2 inputs, 2 Class B or 2 Class A
- Ground fault detector/indicator

- Independent trouble relay
- AC loss delay option shuts off power to non-essential high-current accessories like magnetic door holders
- Built-in synchronization for appliances from System Sensor®, Gentex®, AMSECO®, Wheelock and Faraday
- Stand alone operation
- Lightweight design adds to ease of installation and reduces shipping costs
- Operates with most polarized, UL Listed notification devices
- UL 864 & 1481 listed
- CSFM approved
- ANSI Cadence pattern output capability built-in

Connection to Local Fire Control

The 5495 may be connected to a local fire control which utilizes Class A or Class B type notification circuits operating between 9 and 32 VDC. The control panel's notification circuit is connected to one of the inputs on the 5495. The control panel's notification circuit end-of-line resistor is also connected across two terminals on the 5495, which provides supervision between the 5495 and the fire control panel. Polarized audible and/or visual notification devices are then connected to the 5495 signal circuits using the



**Model 5495
Distributed Power Module**

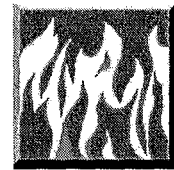
4 7kΩ end-of-line resistors provided. Since the 5495 draws very little power from the control, it is possible to connect one 5495 to each notification circuit on the control panel and still provide full supervision of the notification circuits all the way back to the control panel.



**SILENT
KNIGHT**

by Honeywell

Model 5495 Distributed Power Module



Supervision

The 5495 supervises a variety of functions including:

- Low AC power
- Low battery condition
- Earth ground fault
- Auxiliary output power limit condition
- EOL supervision trouble or power limited condition at an output

When a trouble condition occurs, the 5495 creates a trouble condition on the host control signal circuits to which it is connected. The 5495 still maintains the ability to be activated by the host control. In addition, the 5495 provides a Form C trouble relay output as an alternative to using the notification circuit trouble.

Electrical Specification

AC input: 120 VAC at 2 amps
Output: 24 VDC at 6 amps

Current:

Standby 75 mA
Alarm 175 mA

Auxiliary power circuit: 1

Notification circuits: 4

Output configuration: 2 Class A (Style Z)
4 Class B (Style Y)
(1 Class A & 2 Class B)

Amps per output circuit: 3.0 (6.0 amps total)

Notification circuit output: 20.4 to 27.3 VDC @ 3.0 amps each, 4.7 kΩ EOL resistor required on each Class B circuit

No. of inputs: 2

Input configuration: 2 Class B or 2 Class A

Input

voltage range: 9 - 32 VDC

Battery charging capacity: 33.0 AH

Ambient temp.: 32° to 120° F
0° to 49° C

Mechanical

Dimensions: 12.25" W x 16" H x 3" D (30.88 cm W x 40.64 cm H x 7.62 cm D)

Indicator Lights

AC power on: Green

Battery trouble: Yellow

Ground fault: Yellow

Aux trouble: Yellow

Output troubles (1-4): Yellow

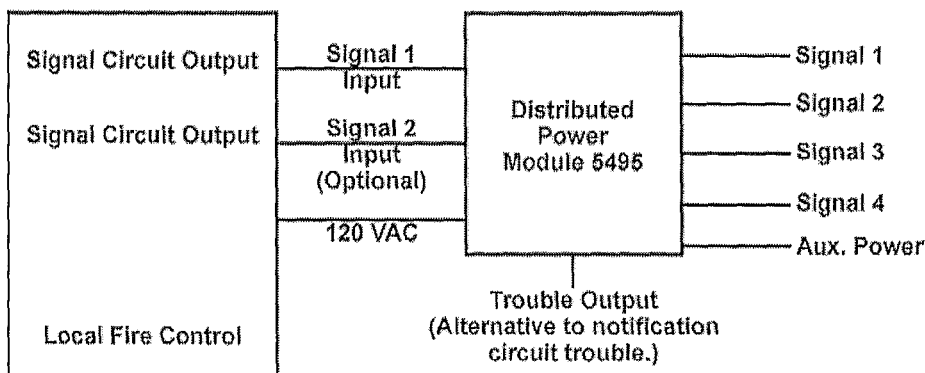
Approvals:

UL: 864 & 1481

NFPA: 72

CSFM

Model 5495 Block Diagram



This document is not intended to be used for installation purposes. We try to keep our product information up-to-date and accurate. We cannot cover all specific applications or anticipate all requirements. All specifications are subject to change without notice. For more information, contact Silent Knight 7550 Meridian Circle Suite 100, Maple Grove, Mn 55369-4927 Phone (800) 328-0103, Fax (763) 493-6475

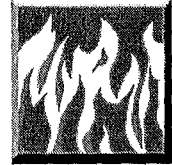
MADE IN AMERICA

FORM# 350395 Rev B, 12/05

Copyright © 2005 Silent Knight



Addressable Photoelectric Type Smoke Detector



Detect smoldering fires quickly and get help fast with IntelliKnight® photoelectric smoke detectors.

IntelliKnight addressable photoelectric smoke detectors are the clear choice for commercial settings where smoldering fires are a threat. In addition to accurately detecting a smoldering fire, each SD505-APS photoelectric detector has a unique address, which is recognized by the IntelliKnight panel. No precious seconds are wasted in determining location of an alarm.

The SD505-APS compensates automatically for contamination in the environment. And detector testing is simple—even from a remote site. Like other IntelliKnight detector models, the SD505-APS offers a low profile for pleasing aesthetics. The IntelliKnight family of detectors has been designed to use a common base, Model SD505-6AB, allowing complete application and placement flexibility. Combine all this with the features you've come to expect from Silent Knight smoke detectors—easy installation, stable operation, RF/transient protection, and vandal-resistant locking—and it adds up to a flexible solution for all your fire protection needs.

Model SD505-APS Analog / Addressable Photoelectric Type Smoke Detector

The SD505-APS is particularly suited to detecting dense smoke typical of fires involving materials such as soft furnishings, plastic, foam or other similar materials which tend to smolder and produce large visible particles.

The detector features automatic compensation for contamination and a simple detector calibration test procedure that can be run from the panel or remotely (using the Windows™ based downloading software)

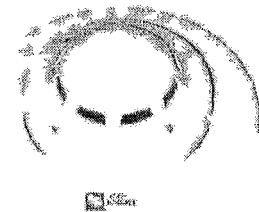
Operation

The SD505-APS units made up of an LED light source and a silicon photo diode receiving element. In a normal standby condition, the receiving element receives no light from the pulsing light source. In the event of fire, smoke enters the detector and light is reflected from the smoke particles to the receiving element.

The light received is converted into an electronic signal. Under normal conditions, the status LED blinks approximately every 15 seconds, indicating that the head is communicating with the loop. The LED lights continuously during the alarm period.

Features

- Low profile, 2 inches, including base
- Simple and reliable addressing without mechanical switches
- Automatic compensation for sensor contamination
- Built-in fire test feature
- Simple detector calibration testing through the control panel or remotely through a Windows™ based computer software.
- Vandal-resistance locking features
- Field cleanable
- UL listed, meets NFPA 72 Ch 7 requirements
- CSFM approved
- MEA approved
- FM Approved



SD505-APS Smoke Detector

Specifications

Operating Voltage 17-41 VDC

Current Consumption

Standby	55 mA
Alarm	.55 mA

Ambient Temperature: 32°F to 120°F
(0°C to 49°C)

Mounting 4" Square, 4" OCT, Single gang mud ring

Relative Humidity 85% noncondensing

Air Velocity 0 - 300 FPM

Compatible Bases SD505-6AB
(Sold Separately) (6" Base)
SD505-4AB
(4" Base)



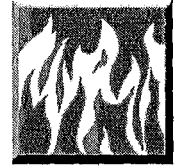
**SILENT
KNIGHT**

by Honeywell

Model SD505-APS

Addressable Photoelectric Type

Smoke Detector



Engineering Specifications

The contractor shall furnish and install where indicated on the plans, addressable photoelectric smoke detector Silent Knight SD505-APS. The combination detector head, and twist-lock base, shall be UL® listed compatible with Silent Knight's IntelliKnight fire control panels.

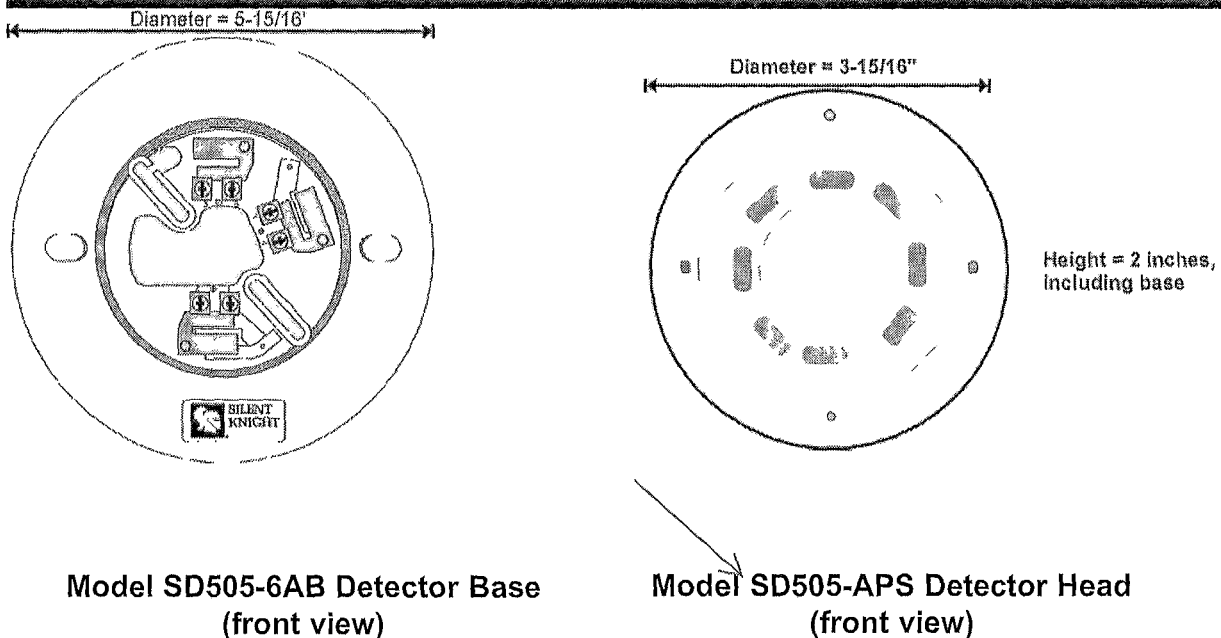
The base shall permit direct interchange with Silent Knight SD505-AIS Ionization Smoke Detector, or SD505-AHS Heat Detector Base shall be the appropriate twist-lock base SD505-6AB.

The smoke detector shall have a flashing status LED for visual supervision. When the detector is actuated, the flashing LED will latch on steady. The detector may be reset by actuating the control panel reset switch.

The calibration of the detector shall be capable of being selected and measured by the control panel without the need for external test apparatus.

The vandal-resistant, security locking feature shall be used in those areas as indicated on the drawing. The locking feature shall be field selectable as required.

The SD505-APS shall automatically perform a functional test of the detector. The test method shall simulate effects of products of combustion in the chamber to ensure testing of detector circuits.



This document is not intended to be used for installation purposes. We try to keep our product information up-to-date and accurate. We cannot cover all specific applications or anticipate all requirements. All specifications are subject to change without notice. For more information, contact Silent Knight 7550 Meridian Circle Suite 100, Maple Grove, Mn 55369-4927
Phone (800) 328-0103, Fax (763) 493-6475

MADE IN AMERICA

FORM# 350225 Rev C, 05/05

Copyright © 2005 Silent Knight



**SILENT
KNIGHT**

by Honeywell

Model **SD505-DUCTR** and **SD505-DTS-K**

Detect smoke in air handling systems and prevent re-circulation with Silent Knight's addressable duct smoke detector

The SD505-DUCTR addressable duct smoke detector detects smoke and products of combustion present in air moving through an HVAC air handling system. The SD505-DUCTR is a heavy duty metal housing with a pre-installed SD505-APS photoelectric smoke detector and relay module. When smoke is detected in a duct, the unit communicates the condition to the IntelliKnight control panel. The panel, in turn, depending on programming and wiring, turns off fans, blowers, and other devices.

Now there's even more power and flexibility available to the IntelliKnight family of products. For more information on this product or to locate your nearest source, please call 800-328-0103.

Model SD505-DUCTR Analog Duct Smoke Detector with Relay Module

The Model SD505-DUCTR Addressable Duct Smoke Detector with Relay provides early detection of smoke and products of combustion present in air moving through an HVAC duct to prevent re-circulation of smoke into the air handling system. The SD505-DUCTR is a heavy duty metal housing with a pre-installed SD505-APS Analog Photo Electric Smoke Sensor and relay module. When smoke is detected in a duct, the unit communicates the condition to the IntelliKnight FACP. The built-in relay module, in turn, turns off fans, blowers, and other devices.

Operation

Air sampling is accomplished by two tubes which protrude into the duct. An exhaust tube of one standard length (7.5") is provided with the detector housing. Intake sampling tubes (ordered separately) are supplied in three standard lengths. Duct mounting is accomplished through a template and 4 sheet metal screws (provided).

Features

- Two-wire connection to SLC
- Detects and limits spread of smoke
- LED alarm indication and communication on sensor head
- Rugged steel backbox with clear plastic cover
- Installation template included
- No screens or filters to clean
- SD505-APS Photoelectric Smoke Detector pre-installed
- 3 standard tube lengths
- UL listed, complies with NFPA 72 and 101
- CSFM listed
- MEA Approved 429-92-E, Vol 9
- FM Approved

Specifications

Physical

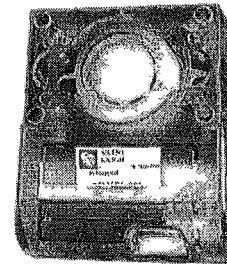
Dimensions: 2¼" H x 9" L x 7¼" W
Weight: 3lbs

Electrical

Operating Voltage: 24 VDC
Alarm Relay Contact rating.
10A @ 24 VDC, 10A @ 115 VDC,
10A @ 240 VDC

Trouble Relay Contact Rating
2.5A @ 30 VDC

Aux Power Input Current
20mA Standby, 62 mA Alarm
SLC Input Current 0.5 mA
Max SLS resistance 50 Ohms



SD505-DUCTR



SD505-DTS-K

Environmental

Operating Temp: 32°F to 100°F
(0°C to 37°C)

Humidity: 10%-85% non-condensing

Other Ratings:

Air Velocity 300 - 4000 ft/min

Sampling Tubes:

SD505-T2	2.5ft sampling tube
SD505-T5	5ft sampling tube
SD505-T10	10ft sampling tube

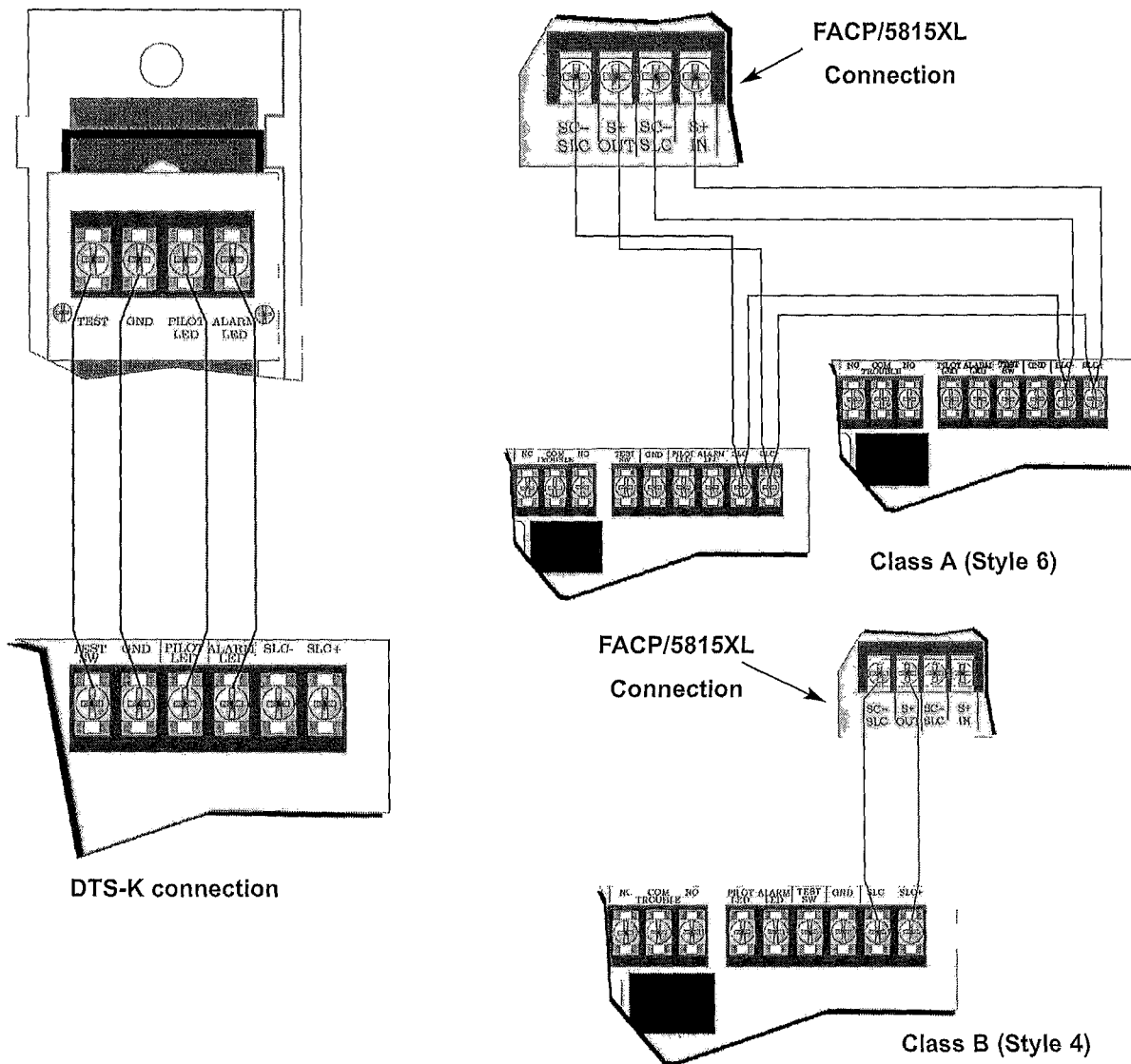
Model SD505-DUCTR and SD505-DTS-K

Duct Smoke Detector with Relay and Remote Test Switch

Engineering Specifications

The air duct smoke detector shall be Silent Knight Model SD505-DUCTR and remote test switch shall be SD505-DTS-K. The housing shall contain a Silent Knight model SD505-APS, Photoelectric Smoke Sensor.

The duct detector shall be of metal construction. Complete mechanical installation must be able to be performed without removal of the detector cover. Terminal connections shall be screw type using a minimum of #6 screw.



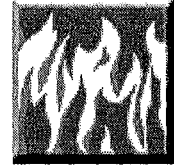
This document is not intended to be used for installation purposes. We try to keep our product information up-to-date and accurate. We cannot cover all specific applications or anticipate all requirements. All specifications are subject to change without notice. For more information, contact Silent Knight 12 Clintonville Road, Northford, CT 06472-1610. Phone (800) 328-0103, Fax (203) 484-7118. www.silentknight.com

MADE IN AMERICA

FORM# 350005 Rev B
Copyright © 2011 Honeywell International Inc



SD500-AIM & SD500-MIM Addressable Input Modules



IntelliKnight's addressable contact monitor modules combine fast response with pinpoint location ID. A combination that saves lives and property.

The SD500-AIM and SD500-MIM are addressable input modules for use with Silent Knight IntelliKnight fire alarm control panels (FACP). The SD500-AIM and SD500-MIM are designed to be used with pull stations, water flow switches, and other applications requiring dry contact alarm initiation devices.

The SD500-AIM addressable input module mounts to a 4"-square box. The SD500-MIM mini input module fits inside a single gang box. The modules are supervised, single input contact monitors. Using an EOL resistor, they monitor for alarm contact closures and for open circuit wiring fault conditions.

The SD500-AIM and SD500-MIM offer a compact design for adaptability and pleasing aesthetics as well as easy installation and stable operation—a flexible solution for all your fire protection needs.

For more information about the IntelliKnight system, or to locate your nearest source, please call 1-800-446-6444, or in Minnesota, call 763-493-6435.

Description

The SD500-AIM and SD500-MIM are addressable input modules for use with the IntelliKnight fire alarm control panels (FACPs). The SD500-AIM addressable input module mounts to a 4"-square box. The SD500-MIM mini input module fits inside a single gang box. Both input modules are designed to be used with pull stations, water flow switches, and other applications requiring dry contact alarm initiation devices.

These modules are supervised, single input contact monitors. Using an EOL resistor, they monitor for alarm contact closures and for open circuit wiring fault conditions. If a fault occurs in the wiring, the module alerts the FACP. Each addressable input module is programmed with a unique signal line circuit (SLC) loop address.

Features

- Single contact monitor
- SD500-AIM supports Class A (Style D) or Class B (Style B) contact monitor wiring
- SD500-MIM support for Class B (Style B) contact monitor wiring
- Attractive ivory cover plate with the SD500-AIM
- Small and lightweight size allows for flexible mounting options with the SD500-MIM

- DIP switch programmable for fast installation
- Up to 2500 ft wiring distance from either input module to contact
- Use up to 14 gauge wire
- UL listed

Electrical Specifications

Standby Current 0.55 mA

Alarm Current 23 mA max for one device, 46 mA max for two devices, 0.55 mA for each additional device

Line Resistance 50Ω max

Mechanical Specifications

SD500-AIM Physical Description

Dimensions
4.9" W x 4.9" H x 1" D
(12.4 W x 12.4 H x 2.5 D cm)
Weight 3.6 oz (120.1 g)
Color Ivory cover plate

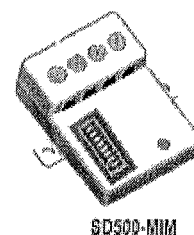
SD500-MIM Physical Description

Dimensions
1.5" W x 2.5" H x 0.7" D
(3.8 W x 6.4 H x 1.8 D cm)
Weight 1.6 oz (45.4 g)

Environmental

Operating Temperature
32°F – 120°F (0°C – 49°C)

Humidity
10% – 93% non-condensing

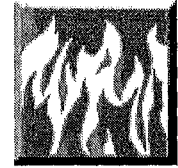


Approvals

NFPA 71 & NFPA 72
UL 864
CSFM 7300-0559: 132
MEA 429-92-E Vol. IX
FM Approved for use with the 5820XL



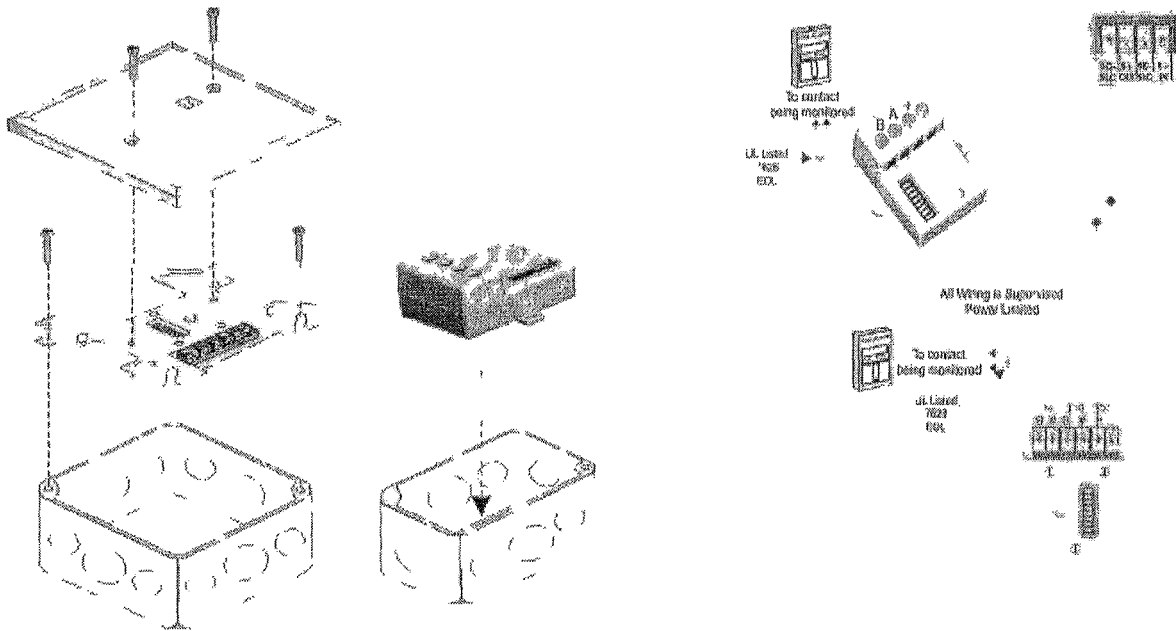
SD500-AIM & SD500-MIM Addressable Input Modules



Engineering Specifications

The contractor shall furnish and install where indicated on the plans, addressable input modules Silent Knight SD500-AIM or SD500-MIM. The modules shall be UL listed and compatible with Silent Knight's IntelliKnight FACPs.

The SD500-MIM shall fit inside a single gang electrical box. The SD500-AIM shall be supplied with a plastic cover and shall be suitable for mounting to a 4"-square or double gang electrical box. The SD500-AIM addressable input module must provide a monitor LED that is visible from outside the cover plate.



Compatible FACPs

- 5820XL
- 5808
- 5700

Ordering Information

- SD500-AIM Input Module**
Addressable input module with Ivory cover plate
- SD500-MIM Input Module**
Addressable mini input module



This document is not intended to be used for installation purposes. We try to keep our product information up-to-date and accurate. We cannot cover all specific applications or anticipate all requirements. All specifications are subject to change without notice. For more information, contact Silent Knight 7550 Meridian Circle Suite 100, Maple Grove, Mn 55369-4927. Phone (800) 328-0103 or 763-493-6400. Fax (763) 493-6475. www.silentknight.com

MADE IN AMERICA

FORM# 350231 Rev D,
© 2008 Honeywell International Inc

Farenhyt



Audio/Visual Devices

The SpectrAlert® Advance

Selectable Output Notification Appliances

General

System Sensor® SpectrAlert® Advance selectable-output horns, strobes and horn/strobes are rich with features guaranteed to cut installation times and maximize profits. The SpectrAlert Advance series of notification appliances is designed to simplify your installations, with features such as: plug-in designs, instant feedback messages to ensure correct installation of individual devices, and eleven field-selectable candela settings for wall and ceiling strobes and horn/strobes.

More specifically, when installing Advance products, first attach a universal mounting plate to a four-inch square, four-inch octagon, or double-gang junction box. The two-wire mounting plate attaches to a single-gang junction box.

Then, connect the notification appliance circuit wiring to the SEMS terminals on the mounting plate.

Finally, attach the horn, strobe, or horn/strobe to the mounting plate by inserting the product's tabs in the mounting plate's grooves. The device will rotate into position, locking the product's pins into the mounting plate's terminals. The device will temporarily hold in place with a catch until it is secured with a captured mounting screw.

Features

- Plug-in design.
- Universal mounting plate for wall and ceiling units
- Shorting spring on mounting plate for continuity check before installation.
- Rotary switch for horn tone and three volume settings.
- Tamper-resistance construction.
- Field-selectable candela settings on wall and ceiling units: 15, 15/75, 30, 75, 95, 110, 115, 135, 150, 177, and 185.
- Automatic selection of 12 or 24 volt operation at 15 and 15/75 candela.
- Outdoor wall and ceiling products.

Agency Listings



SIGNALING

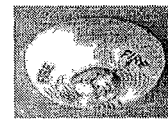


MEA

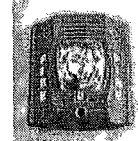
approved
452-05-E



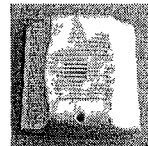
Indoor Ceiling
Strobe



Indoor Ceiling
Horn/Strobe



Indoor Wall
Horn/Strobe



Indoor Wall
Horn



Outdoor
Ceiling Strobe



Outdoor Wall
Strobe

- Outdoor products rated from -40°F and 151°F (-40°C and 66°C)
- Three volume selections and rotary switch for horn tone.
- Horn rated at 88+ dbA at 16 volts
- Electrically compatible with existing SpectrAlert products.

Models available:

- Indoor wall-mount: horn, strobe, 2-wire horn/strobe, 4-wire horn/strobe.
- Indoor ceiling-mount: strobe, 2-wire horn/strobe, 4-wire horn/strobe.
- Outdoor wall-mount: horn, strobe, 2-wire horn/strobe, 4-wire horn/strobe.
- Outdoor ceiling-mount: strobe, 2-wire horn/strobe, 4-wire horn/strobe.

P/N 350377 Rev A

Copyright © 2010 Honeywell International Inc.

Engineering Specifications

SpectrAlert Advance horns, strobes, and horn/strobes shall mount to a standard 4.0" x 4.0" x 1.5" (10.16 x 10.16 x 3.81 cm) backbox, 4.0" (10.16 cm) octagonal backbox, or a double-gang backbox. Two-wire products shall also mount to a single-gang 2.0" x 4.0" x 1.875" (5.08 x 10.16 x 4.763 cm) backbox. A universal mounting plate shall be used for mounting ceiling and wall products. The notification appliance circuit wiring shall terminate at the universal mounting plate. Also, SpectrAlert Advance products, when used with the Sync•Circuit™ Module accessory, shall be powered from a non-coded notification appliance circuit output and shall operate on a nominal 12 or 24 volts. When used with the Sync•Circuit Module, 12-volt rated notification appliance circuit outputs shall operate between 9 and 17.5 volts, 24-volt rated notification appliance circuit outputs shall operate between 17 and 33 volts. Indoor SpectrAlert Advance products shall operate between 32°F and 120°F (0°C and 49°C) from a regulated DC, or full-wave-rectified, unfiltered power supply. Strobes and horn/strobes shall have field-selectable candela settings including 15, 15/75, 30, 75, 95, 110, 115, 135, 150, 177, 185.

STROBE

The strobe shall be a System Sensor SpectrAlert Advance Model _____ listed to UL 1971 and shall be approved for fire protective service. The strobe shall be wired as a primary-signaling notification appliance and comply with the Americans with Disabilities Act requirements for visible signaling appliances, flashing at 1 Hz over the strobe's entire operating voltage range. The strobe light shall consist of a xenon flash tube and associated lens/reflector system.

HORN/STROBE COMBINATION

The horn/strobe shall be a System Sensor SpectrAlert Advance Model _____ listed to UL 1971 and UL 464 and shall be approved for fire protective service. The horn/strobe shall be wired as a primary-signaling notification appliance and comply with the Americans with Disabilities Act requirements for visible signaling appliances, flashing at 1 Hz over the strobe's entire operating voltage range. The strobe light shall consist of a xenon flash tube and associated lens/reflector system. The horn shall have three audibility options and an option to switch between a Temporal 3 pattern and a Non-Temporal (continuous) pattern. These options are set by a multiple position switch. On four-wire products, the strobe shall be powered independently of the sounder. The horn on horn/strobe models shall operate on a coded or non-coded power supply.

OUTDOOR PRODUCTS

SpectrAlert Advance outdoor horns, strobes and horn/strobes shall be listed for outdoor use by UL and shall operate between -40°F and 151°F (-40°C and 66°C). The products shall be listed for use with a System Sensor outdoor/weatherproof backbox with half-inch and three-fourths-inch conduit entries.

SYNCHRONIZATION MODULE

The module shall be a System Sensor Sync•Circuit MDL3RA or MDL3WA listed to UL 464 and shall be approved for fire protective service. The module shall synchronize SpectrAlert strobes at 1 Hz and horns at Temporal 3. Also, while operating the strobes, the module shall silence the horns on horn/strobe models over a single pair of wires. The module shall mount to a 4.688" x 4.688" x 2.125" (11.906 x 11.906 x 5.398 cm) backbox. The module shall also control two Style Y (class B) circuits or one Style Z (Class A) circuit. The module shall synchronize multiple zones. Daisy-chaining two or more synchronization modules together will synchronize all the zones they control. The module shall not operate on a coded power supply.

Specifications

- Standard operating temperature: 32°F to 120°F (0°C to 49°C).
- K Series operating temperature: -40°F to 151°F (-40°C to 66°C).
- Humidity range: 10% to 93% non-condensing (indoor products).
- Strobe flash rate: 1 flash per second.
- Nominal voltage: regulated 12 VDC/FWR or regulated 24 VDC/FWR. NOTE: Full Wave Rectified (FWR) voltage is a non-regulated, time-varying power source that is used on some power supply and panel outputs.
- Operating voltage range: 8 V to 17.5 V (12 V nominal); or 16 V to 33 V (24 V nominal). NOTE: P, S, PC, and SC products will operate at 12 V nominal only for 15 cd and 15/75 cd.
- Input terminal wire gauge: 12 to 18 AWG (3.31 to 0.821 mm²).
- Ceiling-mount dimensions (including lens): 6.8" diameter x 2.5" deep (17.3 cm diameter x 6.4 cm deep).
- Wall-mount dimensions (including lens): 5.6" H x 4.7" W x 2.5" D (14.2 cm H x 11.9 cm W x 6.4 cm D).
- Horn dimensions: 5.6" H x 4.7" W x 1.3" D (14.2 cm H x 11.9 cm W x 3.3 cm D).

Strobe Current Draw

UL Maximum (mA RMS)

Candela	8-17.5 V		16-33 V		
	DC	FWR	DC	FWR	
Standard Candela Range	15	123	123	66	71
	15/75	142	148	77	81
	30	NA	NA	94	96
	75	NA	NA	158	153
	95	NA	NA	181	176
	110	NA	NA	202	195
High Candela Range	115	NA	NA	210	205
	135	NA	NA	228	207
	150	NA	NA	246	220
	177	NA	NA	281	251
185	NA	NA	286	258	

Horn Current Draw,

UL Maximum (mA RMS)

Sound Pattern	dB	8 - 17.5 V		16 - 33 V	
		DC	FWR	DC	FWR
Temporal	High	57	55	69	75
Temporal	Medium	44	49	58	69
Temporal	Low	38	44	44	48
Non-Temporal	High	57	56	69	75
Non-Temporal	Medium	42	50	60	69
Non-Temporal	Low	41	44	50	50
Coded	High	57	55	69	75
Coded	Medium	44	51	56	69
Coded	Low	40	46	52	50

**Horn and Horn/Strobe
Rotary Switch Setting**

Setting	Repetition Rate	dB Level
1	Temporal horn	High
2	Temporal horn	Medium
3	Temporal horn	Low
4	Normal horn	High
5	Normal horn	Medium
6	Normal horn	Low
7*	Externally coded	High
8*	Externally coded	Medium
9*	Externally coded	Low

*NOTE: Settings 7, 8, and 9 are not available on 2-wire horn/strobe

Horn and Horn/Strobe Output (dBA)

Switch Position	Sound Pattern	dB	8 - 17.5 V		16 - 33 V	
			DC	FWR	DC	FWR
1	Temporal	High	78	78	84	84
2	Temporal	Medium	74	74	80	80
3	Temporal	Low	71	73	76	76
4	Non-temporal	High	82	82	88	88
5	Non-temporal	Medium	78	78	85	85
6	Non-temporal	Low	75	75	81	81
7	Coded	High	82	82	88	88
8	Coded	Medium	78	78	85	85
9	Coded	Low	75	75	81	81

*Note: Settings 7, 8, and 9 are not available on 2-wire horn/strobe.

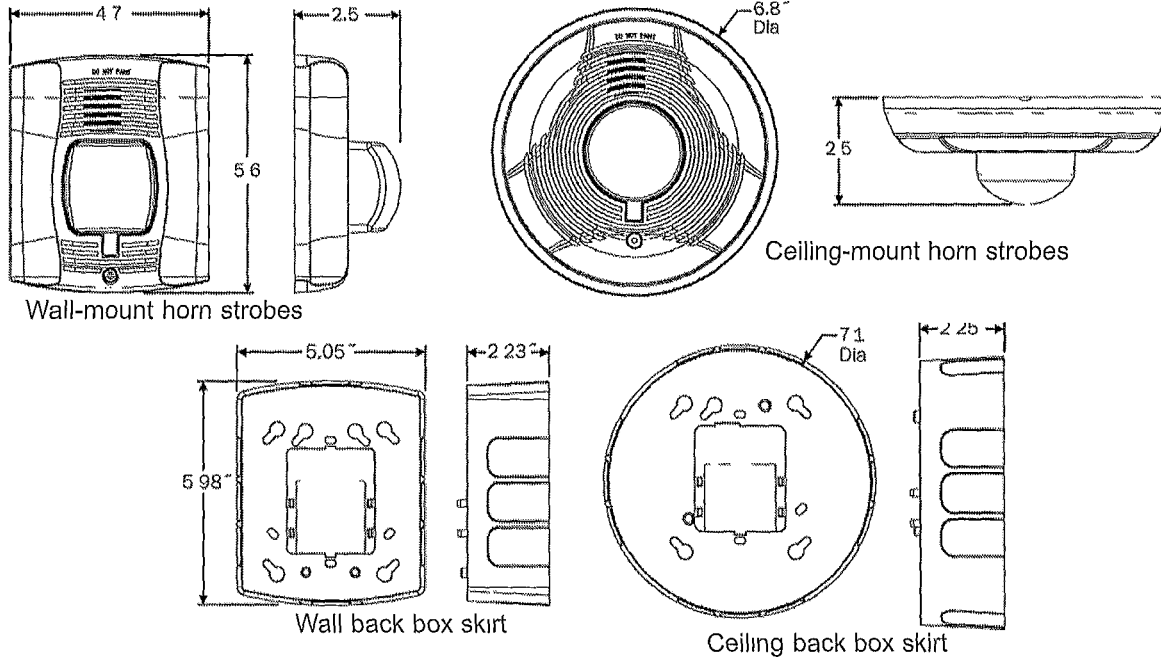
**Two-Wire Horn/Strobe, Standard Candela Range (15-115 cd),
UL Maximum Current Draw (mA RMS)**

Input, Sound Pattern, dB Level	8 - 17.5 V		16 - 33 V						
	15	15/75	15	15/75	30	75	95	110	115
DC Input, Temporal, High	137	147	79	90	107	176	194	212	218
DC Input, Temporal, Medium	132	144	69	80	97	157	182	201	210
DC Input, Temporal, Low	132	143	66	77	93	154	179	198	207
DC Input,	141	152	91	100	116	176	201	221	229
DC Input,	133	145	75	85	102	163	187	207	216
DC Input,	131	144	68	79	96	156	182	201	210
FWR Input, Temporal, High	136	155	88	97	112	168	190	210	218
FWR Input,	129	152	78	88	103	160	184	202	206
FWR Input,	129	151	76	86	101	160	184	194	201
FWR Input, Non-Temporal, High	142	161	103	112	126	181	203	221	229
FWR Input,	134	155	85	95	110	166	189	208	216
FWR Input,	132	154	80	90	105	161	184	202	211

**Two-Wire Horn/Strobe HIGH Candela Range (135-185 cd),
UL Maximum Current Draw (mA RMS)**

DC Input	16 - 33 V				FWR Input	16 - 33 V			
	135	150	177	185		135	150	177	185
DC, Temporal, High	245	259	290	297	FWR, Temporal, High	215	231	258	265
DC, Temporal, Medium	235	253	288	297	FWR, Temporal, Medium	209	224	250	258
DC, Temporal, Low	232	251	282	292	FWR, Temporal, Low	207	221	248	256
DC, Non-Temporal, High	255	270	303	309	FWR, Non-temporal, High	233	248	275	281
DC, Non-Temporal, Medium	242	259	293	299	FWR, Non-temporal, Medium	219	232	262	267
DC, Non-Temporal, Low	238	254	291	295	FWR, Non-temporal, Low	214	229	256	262

SpectrAlert Advance Dimensions



SpectrAlert Advance Ordering Information

Wall Horn Strobes

- P2R 2-Wire horn/strobe, Standard cd, Red
- P2RH 2-Wire horn/strobe, High cd, Red
- P2RK 2-Wire horn/strobe, Standard cd, red outdoor
- P2RHK 2-wire horn/strobe, High cd, red, outdoor
- P2W 2-Wire horn/strobe, Standard cd, White
- P2WH 2-Wire horn/strobe, High cd, White
- P4R 4-Wire horn/strobe, Standard cd, Red
- P4RH 4-Wire horn/strobe, High cd Red
- P4RK 4-Wire horn/strobe, standard cd, red, outdoor
- P4RHK 4-Wire horn/strobe, High cd, red, outdoor
- P4W 4-Wire horn/strobe, Standard cd, White
- P4WH 4-Wire horn/strobe, high cd, white

Wall Strobes

- SR Strobe, Standard cd, Red
- SRH Strobe, High cd, Red
- SRK Strobe, standard cd, red
- SRHK Strobe, High cd, red, outdoor
- SW Strobe, Standard cd, White
- SWH Strobe, High cd, White

Ceiling Horn Strobes

- PC2R 2-Wire horn/strobe, Standard cd, Red
- PC2RH 2-Wire horn/strobe, High cd, Red
- PC2W 2-Wire horn/strobe, Standard cd, White
- PC2WH 2-Wire horn/strobe, High cd, White
- PC2RK 2-Wire horn/strobe, Standard cd, red, outdoor
- PC2RHK 2-Wire horn/strobe High cd, red, outdoor
- PC4R 4-Wire horn/strobe, Standard cd, Red
- PC4RH 4-Wire horn/strobe, High cd, Red
- PC4W 4-Wire horn/strobe, Standard cd, White

Ceiling Strobes

- SCR Strobe, Standard cd, Red
- SCRH Strobe, High cd, Red
- SCRK Strobe, Standard cd, red, outdoor
- SCRHK Strobe, High cd, red, outdoor
- SCW Strobe, Standard cd, White
- SCWH Strobe, High cd, White

Horns

- HR Horn, Red
- HW Horn, White
- HRK Horn, Red, outdoor

Accessories

- BBS-2 Back Box Skirt, Wall, Red
- BBSW-2 Back Box Skirt, Wall, White
- BBSC-2 Back Box Skirt, Ceiling, Red
- BBSCW-2 Back Box Skirt, Ceiling, White
- SA-WBB Weatherproof backbox, wall
- TR-HS Trim Ring, Wall, Red
- TRW-HS Trim Ring, Wall White
- TRC-HS Trim Ring, Ceiling, Red
- TRCW-HS Trim Ring, Ceiling, White

NOTE: "High cd" refers to strobes that include 135, 150, 177 and 185 candela settings. "Standard cd" refers to strobes that include 15, 15/75, 30, 75, 95, 110, and 115 candela settings.

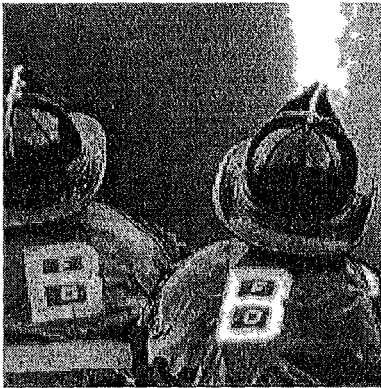
SpectrAlert® and System Sensor® are registered trademarks of Honeywell International Inc



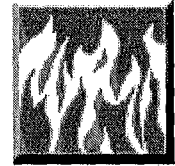
**SILENT
KNIGHT**

by Honeywell

This document is not intended to be used for installation purposes. We try to keep our product information up-to-date and accurate. We cannot cover all specific applications or anticipate all requirements. All specifications are subject to change without notice. For more information, contact Silent Knight 12 Clintonville Road, Northford, CT 06472-1610 Phone (800) 328-0103, Fax (203) 484-7118 www.farenhyt.com



SD500-PS and SD500-PSDA Addressable Pull-Station



IntelliKnight's addressable pull stations combine fast response with pin-point location ID.

The SD500-PS and SD500-PSDA are a single action or dual action addressable manual fire alarm pull station for use with Silent Knight's IntelliKnight fire control panel. Extremely easy to operate, the SD500-PS/PSDA provides a fast and practical means of manually initiating a fire alarm signal. The IntelliKnight panel recognizes each manual pull station by its specific address saving precious seconds in determining the location of an alarm. The SD500-PS/PSDA mounts to a single gang box and features a rugged metal construction that lasts and lasts.

Combine all this with the features you've come to expect from Silent Knight - easy installation and stable operation - and it adds up to a flexible solution for all your fire protection needs.

Model SD500-PS & SD500-PSDA Addressable Pull Station

The SD500-PS is a single action addressable fire pull station, and the SD500-PSDA is a dual action addressable fire pull station. The SD500-PS/PSDA feature rugged metal construction. A terminal strip on back of the pull station allows interconnection of the pull station to the SLC of an IntelliKnight control panel. The SD500-PS/PSDA is designed for indoor use in non-explosive environments. The normally open initiating point contacts are gold-plated to avoid risk of corrosion. The SD500-PS/PSDA has been tested by UL for compliance to the requirements of the Americans with Disabilities ACT (ADA)

Features

- UL Listed
- CSFM listed
- ADA compliant
- Key reset (Same key as Silent Knight enclosures)
- Surface mount back box available
- Terminals - accept up to 14 gauge wire

- Extremely easy to operate
- Corrosion-resistant gold-plated contacts
- Reflective label makes it easier to locate in low light

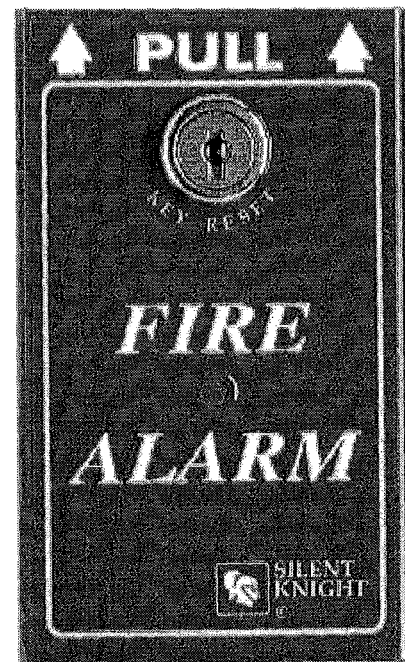
Operation

The SD500-PS/PSDA single action pull stations are operated by a pull on the front pull cover of the station. A plunger switch, wired to a self contained addressable module, is released as the pull station opens to initiate the alarm. Once operated, the cover hangs down and can be seen up to 100 feet away. The pull station is reset by returning the front cover to the normal upright position and relocking the station with a reset key. The reset keys are the same keys used on Silent Knight enclosures.

The SD500-PS/PSDA includes a status LED which blinks, indicating that the addressable module is communicating with the loop. The status LED lights continuously during an alarm. A dip switch on the addressable module is used to set the unique address

Specifications

Operating Voltage	24VDC
Standby Current	55mA
Alarm Current	55mA



SD500-PS

Ambient Temperature	32°F to 120°F (0°C to 49°C)
Mounting	Single gang box -
Optional Red Surface Mount Box PS-SMBB	



**SILENT
KNIGHT**

A Honeywell Company

SD500-PS and SD500-PSDA Addressable Pull-Station

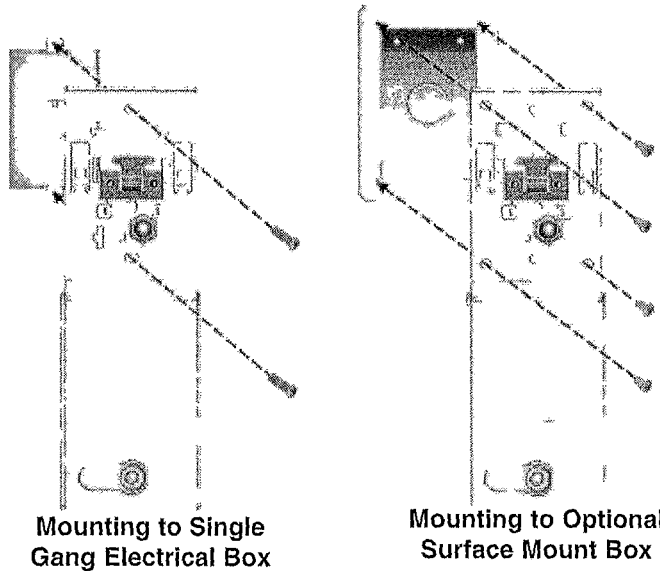


Engineering Specifications

Manual pull station shall be addressable Module SD500-PS/SD500-PSDA. Equipment shall be made of 14 gauge C.R.S (Cold Rolled Steel), painted with a red enamel . The label shall contain the words Fire Alarm and be made of a reflective material embossed text 3/8 inches tall Operating instruction shall be clearly visible on the same label Manual station Shall contain a key operated test and reset lock using a lock plate actuator, the key shall match the control panel

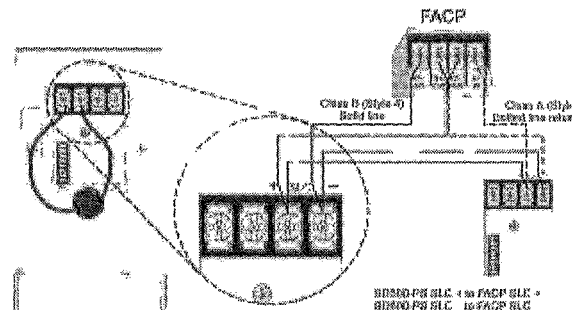
Manual station shall contain four terminal blocks with two connected to the addressable module and two connect to the SLC loop Manual station shall provide data to the control panel with an ID address programmed by dip switch settings .

Manual stations shall be Underwriters Laboratories Inc listed and installed within the limits defined in the American Disabilities Act.

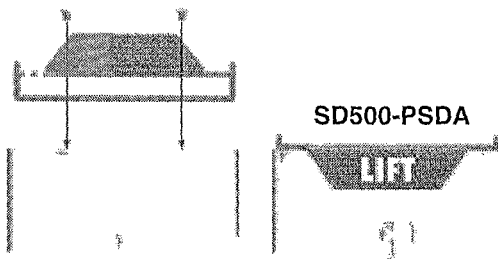


Mounting to Single Gang Electrical Box

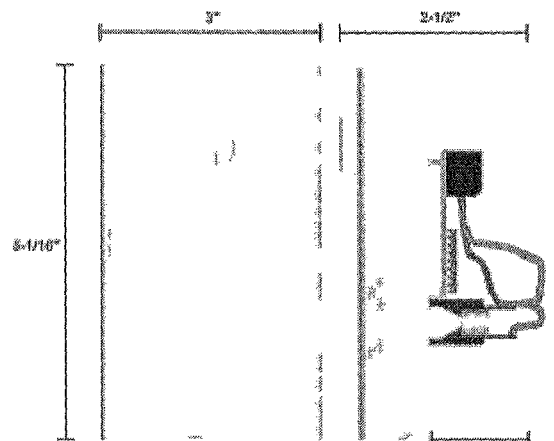
Mounting to Optional Surface Mount Box



Wiring



Installing SD500-LK



Dimensions



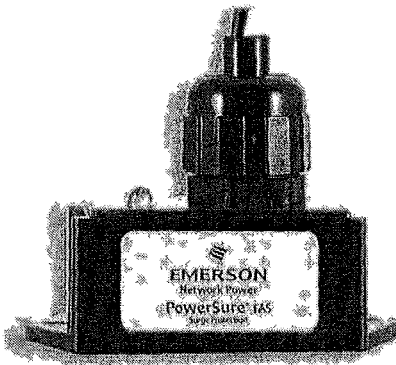
SILENT KNIGHT

A Honeywell Company

7550 Meridian Circle, Maple Grove, MN 55369-4927
800-446-6444 or in Minnesota 763-493-6435
 FAX: 763-493-6475
 World Wide Web: <http://www.silentknight.com>

MADE IN AMERICA
 FORM# 350342, Rev 09/03

Copyright © 2003 Silent Knight



PowerSure™ FAS-120AC Medium Duty 120 VAC — Single Phase

The PowerSure FAS-120AC surge suppressor is designed to protect AC distribution panel circuits or 120V power supplies feeding sensitive electronic equipment.

Electrically the unit incorporates MOV and thermal fusing technology. This device is designed to be installed in parallel on standard single phase 120 VAC (L, N, G) circuits.

Installation can be close-nipple up to a distribution panel/circuit or hardwired in parallel up to power supply input terminal screws. Be sure to dress leads as short as possible.

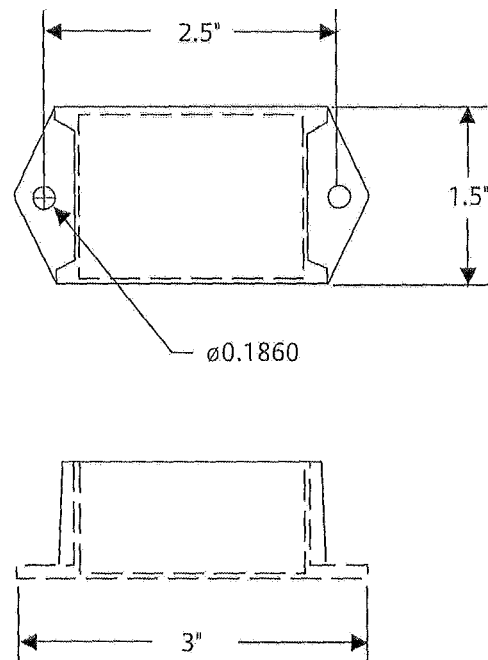
Features

- LED indicator
- Fast response time
- Thermal fuse
- L G L N & N G protection
- Compact size
- Liquid tight conduit fitting
- ANSI/UL 1449 Third Edition Type 2
- 5 year warranty

General Technical Specifications

Part Number	PowerSure FAS-120AC
Maximum Operating Voltage	120 VAC
SPD Location Type	Type 2
I-Nominal (In)	3 kA
Operating Current	NA
Peak Surge Current	6.5 kA/Mode 13 kA/Phase, 15.5 kA/Total
Operating Frequency	47-63 Hz
EMI Attenuation	NA
SPD Technology	MOVs
Modes of Protection	L N, L G, N G
Status Indication	Power On & MOVs Functional
Connection Type	Wire Leads
Operating Temperature	-40°C to +85°C
Dimensions (Inches)	2.5H x 1.5W x 3.0L
Weight	4 oz
Certification	ANSI/UL 1449 Third Edition, Type 2

Mounting



Caution.
This product should be installed and serviced by qualified service technicians or personnel only

Remove power before installation or service