

ZONE 1 +/- 19.74
 ZONE 2 +/- 29.98
 ZONE 3 +/- 41.75

WIND PRESSURE - COMPONENTS & CLADDING

WIND EXPOSURE CATEGORY

B C D

LEAN BUILDING DIMENSIONS

D-5

LEAN WIDTH (FT)	6"X6" POST	10"X10" POST
24	23'-6"	22'-8"
22	21'-6"	20'-8"
20	19'-6"	18'-8"
18	17'-1"	16'-8"
16	15'-1"	14'-8"
14	13'-1"	12'-8"
12	11'-6^{1/2"}	10'-8"
10	9'-1"	8'-8"
8	7'-1"	6'-8"

ULTIMATE & NOMINAL WIND SPEEDS

ULTIMATE	NOMINAL
120	93
130	101
140	108
150	116
155	120
160	124

DESIGN CRITERIA:

FLORIDA BUILDING CODE 2023 8TH ED.
 DESIGN LOADS PER ASCE 7-22
 DESIGN SPEED - 130 MPH
 ROOF LIVE LOAD - 12.5 PSF
 DEAD LOAD - 2.5 PSF
 WIND RISK CATEGORY - I
 EXPOSURE CATEGORY - B
 IMPORTANCE FACTOR - 1.0
 INTERNAL WIND PRESSURE - +/- 0.18 PSI

POLE BARN SPECIFICATIONS

GABLE WIDTH : **12'**
 BUILDING LENGTH : **62'**
 EAVE HEIGHT : **12'**
 POLE SPACING : **6@10' & 1@12"**
 ROOF PITCH : **1:12**
 WALLS : **OPEN**
 FLOOR : **DIRT**
 ROOF METAL : **29 GA.**
 SIDE METAL : **NONE**
 POST SIZE : **6"X6" PT**
 FOOTING SIZE : **18"X48"**
 CONCRETE : **3,000 PSI**

POST FOOTING SIZE

F-1 18" DIA. X 48" DEEP
 F-2 32" DIA. X 48" DEEP

ROOF PITCH

1/12 4/14 5/12 6/12

METAL ROOF

26 GA 29 GA

LEAN POST HEIGHT (D-6)

SIZE CIRCLED OR LESS	OTHER
10' 12' 14' 16'	

POST SPACING D-2 (FT)

<input type="checkbox"/> 8	<input checked="" type="checkbox"/> 10	<input checked="" type="checkbox"/> 12
----------------------------	---	---

POST SIZE

<input checked="" type="checkbox"/> 6"X6"	<input type="checkbox"/> 8"X8"	<input type="checkbox"/> 12"X12"
--	--------------------------------	----------------------------------



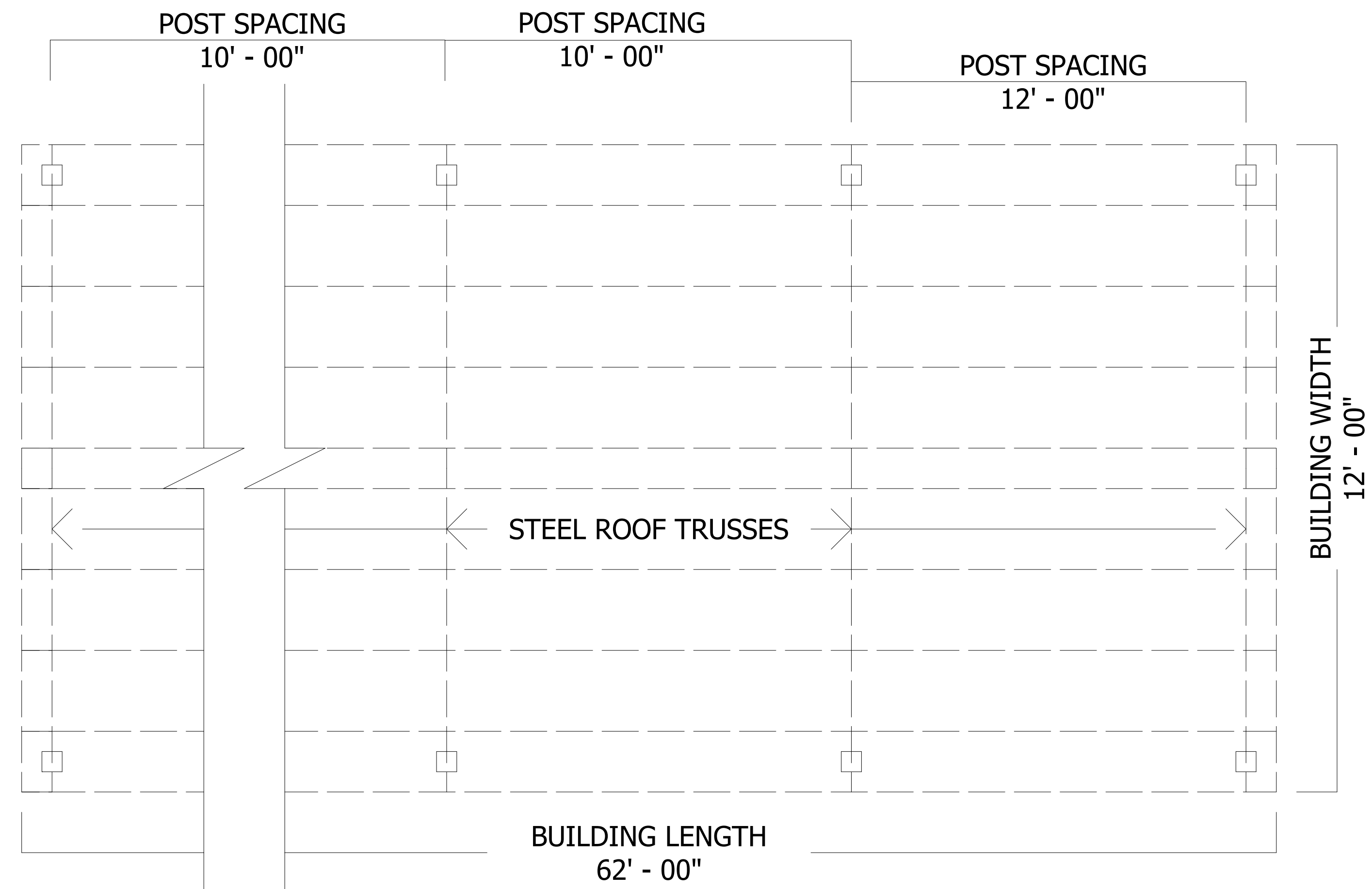
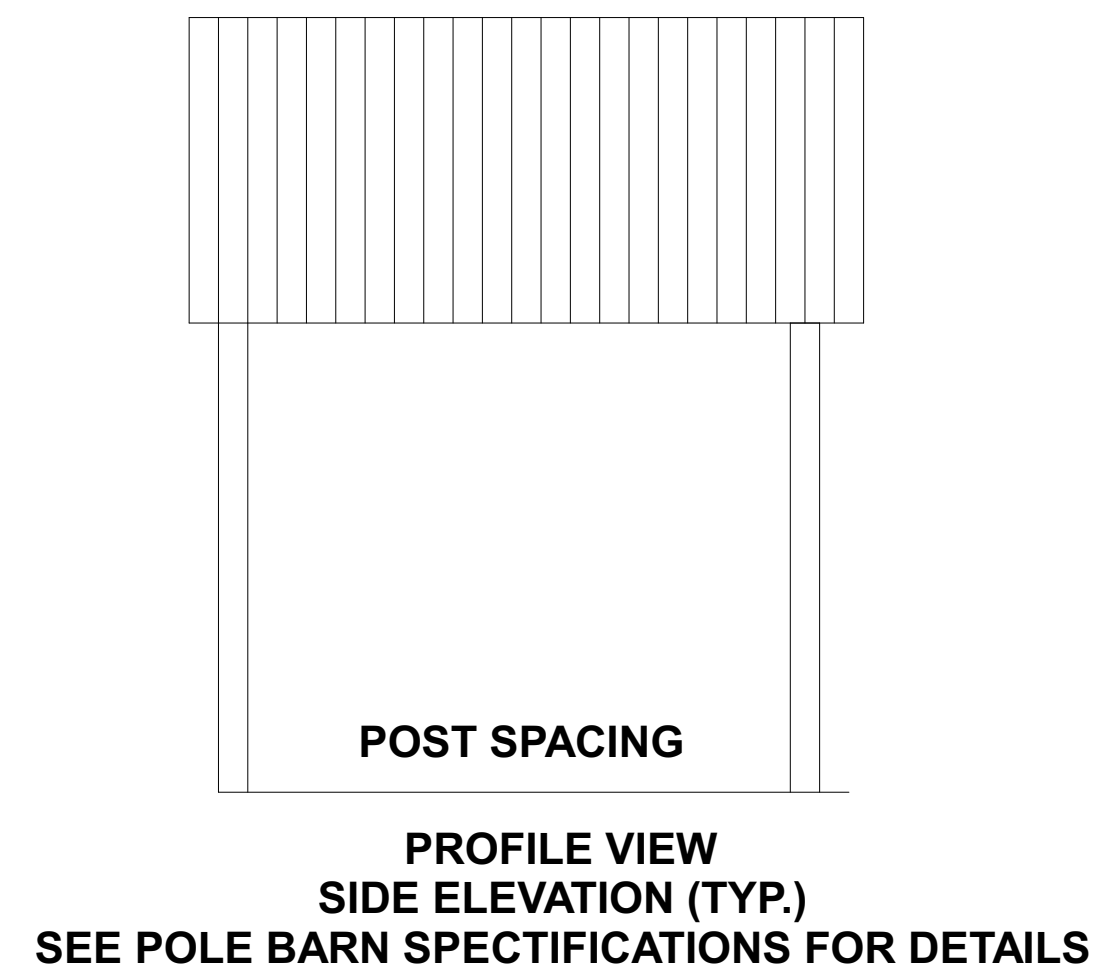
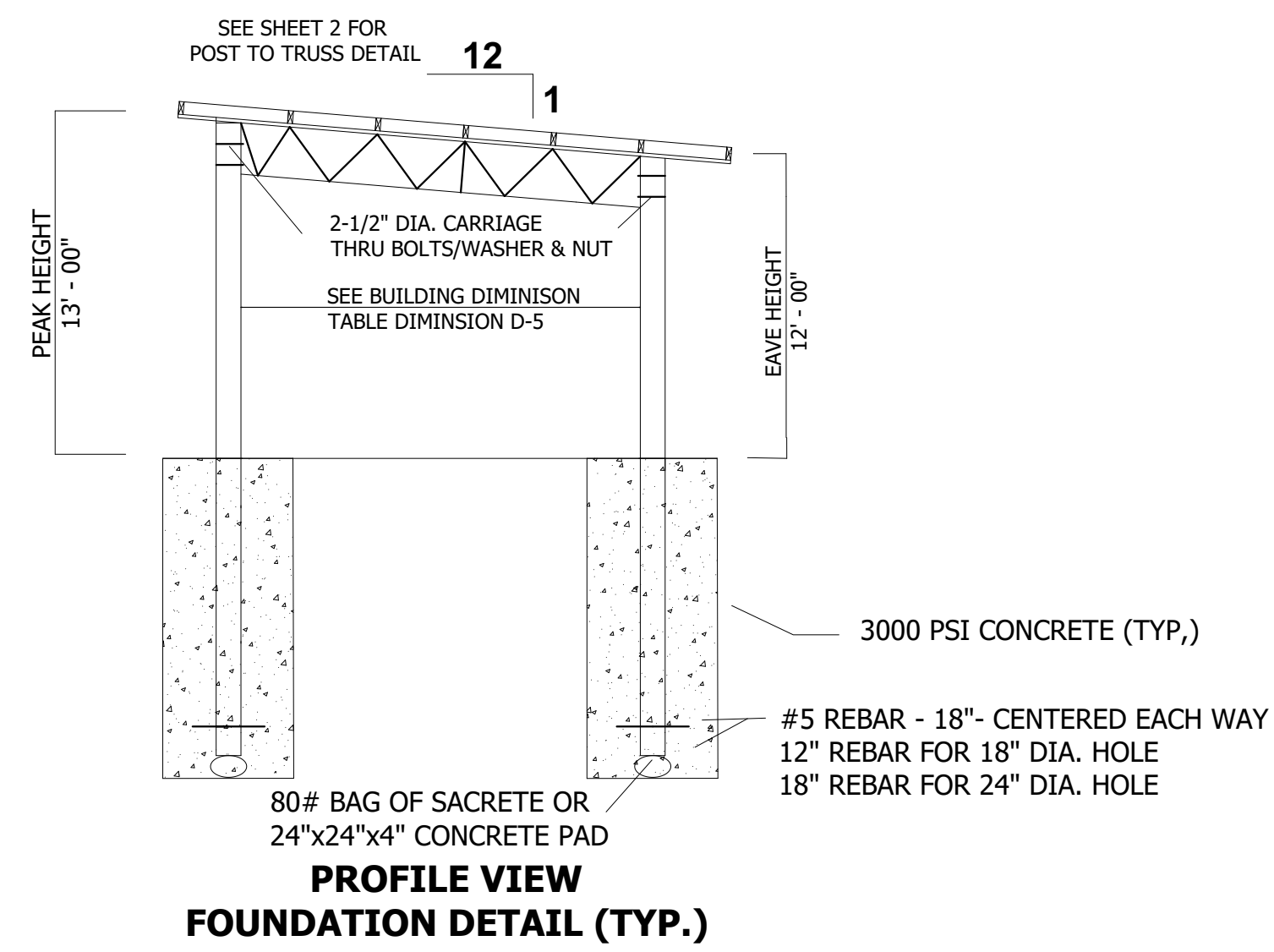
TOMAS B WHITMAN
 2024.11.13
 11:27:27 -05'00'

DESIGNED TBW
 DRAWN DVD
 CHECKED TBW
 APPROVED TBW
 JOB NO.: 35224203
 DATE: 13 NOVEMBER 2024

MADISON ENGINEERING, LLC
 CONSULTING CIVIL & ENVIRONMENTAL ENGINEERING
 269 NE Ridge Loop
 Madison, Florida 32340
 Phone 850.973.7864
 COA No.: 27216 www.madisonengineer.com

POLE BARN B - 12 X 62 LT
 ABT TRUSSES
ANITA NAPIER (12X62)
 360 SW GRASSLAND WAY, LAKE CITY, FL 32024/P

© COPYRIGHT 2024 ME
 VALID ONLY WITH DATED ORIGINAL SIGNATURE AND INK OR EMBOSSED SEAL
 T. BRENT WHITMAN, P.E.
 FL. P.E. REG. NO. 63178
 SHEET NO.
1

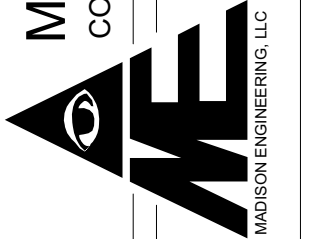


NOTES:

1. PURLINS SHALL BE 2X6 #2 SYP (MAX SPACE @2'-0" O.C.)
2. CONTRACTOR IS RESPONSIBLE FOR TEMPORARY & PERMANENT CONSTRUCTION BRACING.
3. ALL DEMINSIONS SHALL BE VERIFIED PRIOR TO FABRICATION.
4. ALL WELD PER AWS STANDARDS.
5. ALL STELL AND FABRICATION PER ASCI STANDARDS.
7. ITEM DEMINSIONS ARE TO BE MODIFIED FOR SHORTER TRUSS LENGTHS.
8. ALL FASTNERS SHALL BE INSTALLED PER MANUFACTURES SPECIFICATIONS.
9. TRUSS DESIGN CAN BE USED FOR TRUSS LENGTHS SHORTER THAN 25 FEET.
10. CONCRETE WORK SHALL CONFORM TO 'BUILDING CODE REQUIRMENTS FOR REINFORCED CONCRETE' (ACI-318).
11. ALL CONCRETE SHALL BE 3000 PSI MIN. W/ WWF OR FIBER
12. FL PRODUCT APPROVAL CODE ROOF SYSTEM 36904.1

DESIGNED	TBW
DRAWN	DVD
CHECKED	TBW
APPROVED	TBW
JOB NO.:	35224203
DATE:	13 NOVEMBER 2024

MADISON ENGINEERING, LLC
CONSULTING CIVIL & ENVIRONMENTAL ENGINEERING
260 NE Ridge Loop
Madison, Florida 32340
Phone 850.973.7864
COA No.: 27216 www.madisonengineer.com



POLE BARN B - 12 X 62 LT
ABT TRUSSES

ANITA NAPIER (12X62)

360 SW GRASSLAND WAY, LAKE CITY, FL 32024TP

© COPYRIGHT 2024 ME

VALID ONLY WITH DATED ORIGINAL SIGNATURE AND INK OR EMBOSSED SEAL

T. BRENT WHITMAN, P.E.
FL. P.E. REG. NO. 63178

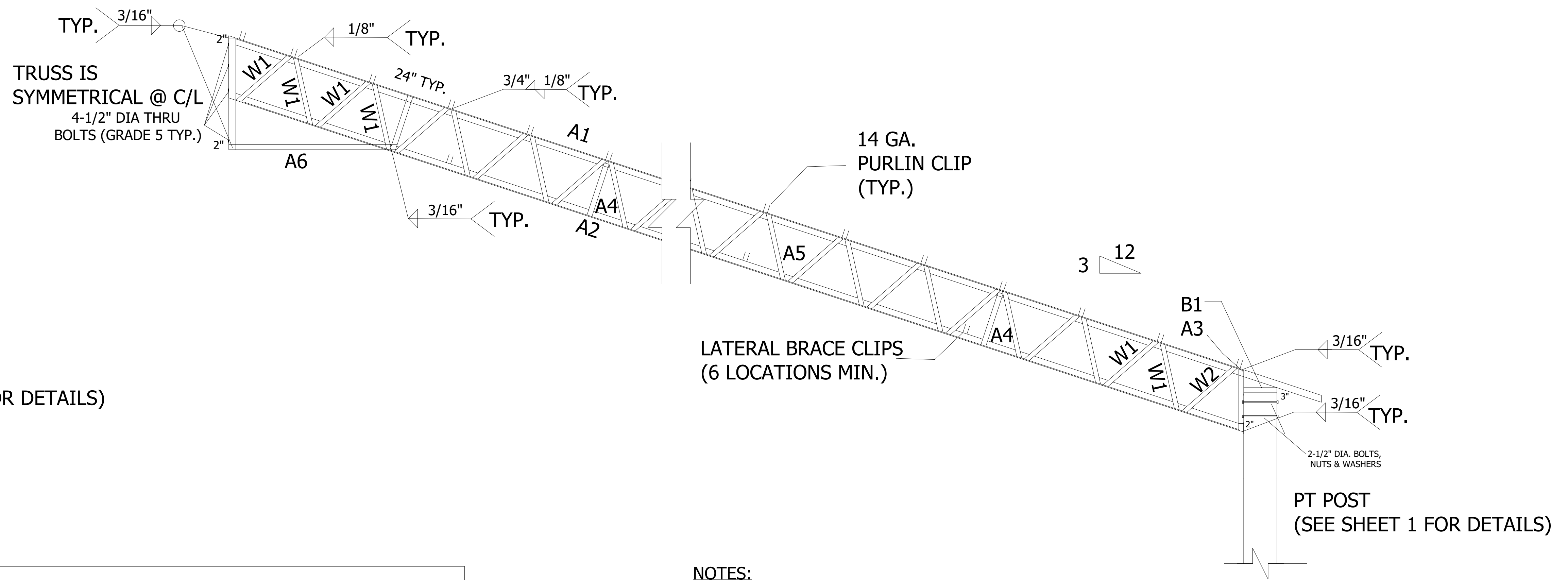
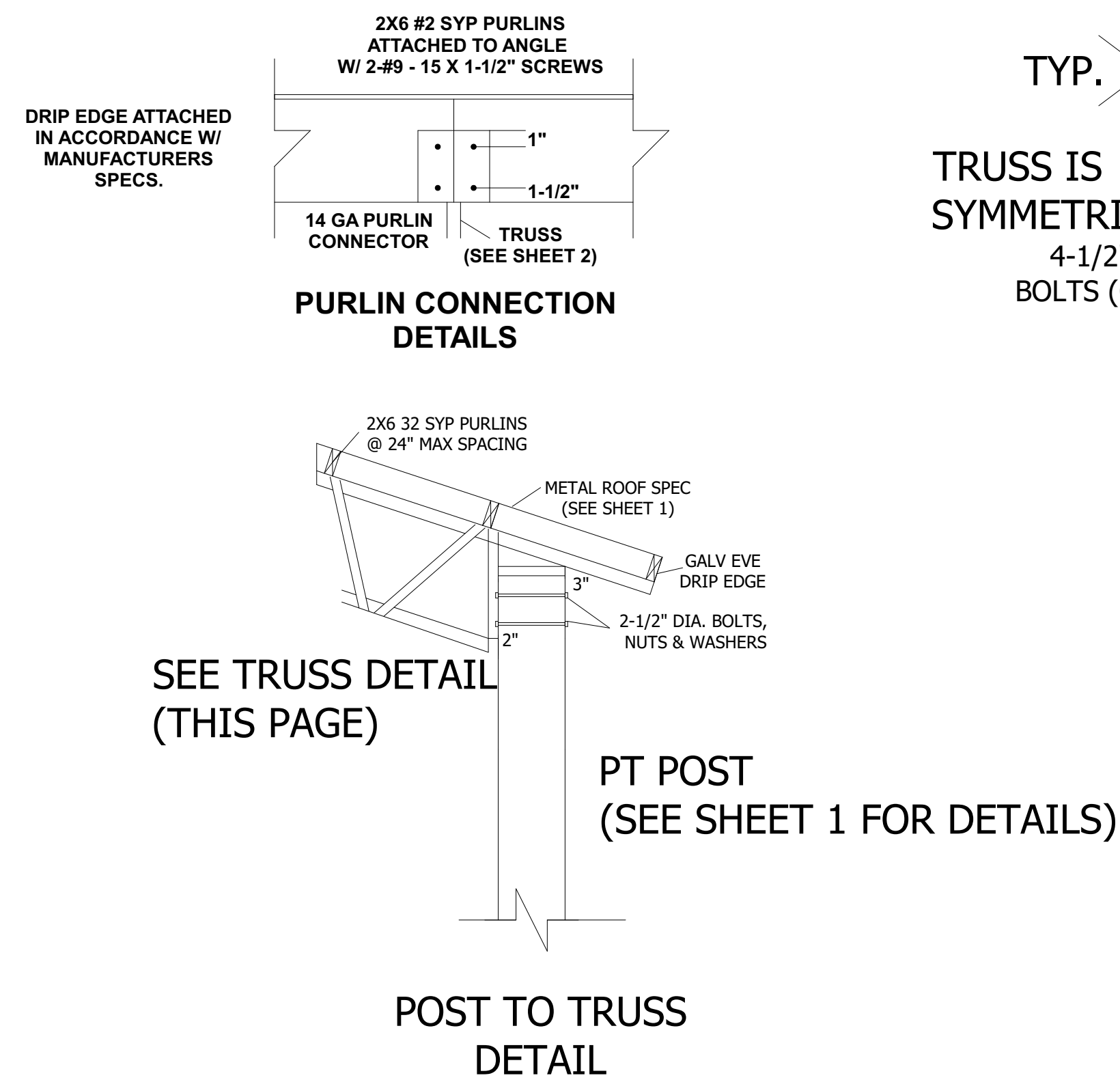
SHEET NO.

2



TOMAS B WHITMAN
2024.11.13
11:27:43 -05'00'





NOTES: TRUSS CROSS-SECTION

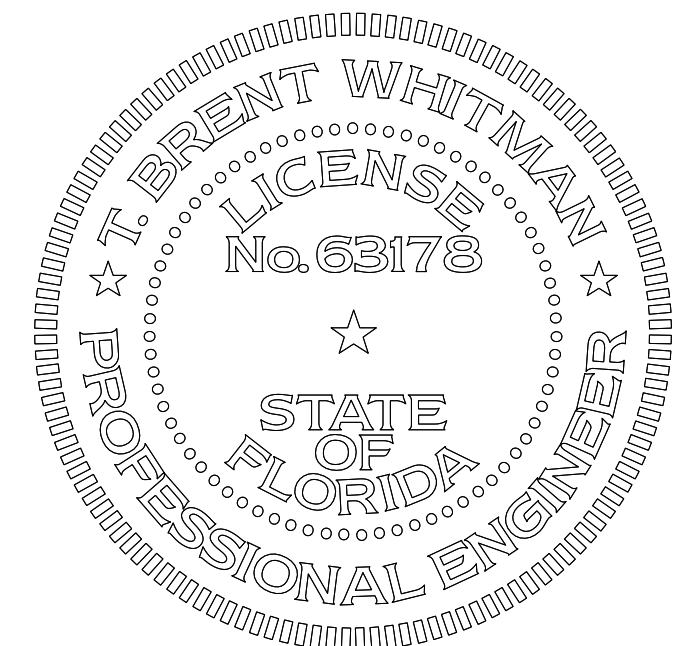
- 1- MATERIALS SHALL CONFORM TO STEEL ASTM 572.
- 2- ALL STEEL SHALL BE 50ksi IN ACCORD WITH CURRENT AISC MANUAL.
- 3- WELDING ELECTRODES SHALL BE TYPE E70XX
- 4- ALL WELDING SHALL BE IN ACCORD WITH CURRENT AWS REQUIREMENTS
- 5- ALL WELDING SHALL BE DONE BY A CERTIFIED WELDER.
- 6- BOL TS SHALL BE ASTM A325. w/ NUTS & WASHERS. TYP)
- 7- WELD STRENGTH 70 KSI MIN:
- 8- ALL POST SHALL BE #2 DENSE PRESSURE TREATED GROUND CONTACT.
- 9- PRIMING & PAINTING SHALL BE DONE BY TRUSS MANUFACTURER.
- 10- MIN EDGE DISTANCE FOR BOLTS HOLES SHALL BE 3/4" MIN
- 11- MAX TRUSS SPACING SHALL NOT EXCEED 12'-0" UNO.
- 12-THE DESIGNER DISCLAMS ANY RESPONSIBILITY FOR DAMAGES AS A RESULT OF POOR WORKMANSHIP, OR IMPROPER USE, AND ACCEPTS NO RESPONSIBIL TY OR EXERCISES NO CONTROL WITH REGUARD TO FABRICATION, HANDLING, AND INSTALLATION OF TRUSSES.

NOTES:

- 1. PURLINS SHALL BE 2X6 #2 SYP (MAX SPACE @2'-0" O.C.)
- 2. CONTRACTOR IS RESPONSIBLE FOR TEMPORARY & PERMANENT CONSTRUCTION BRACING.
- 3. ALL DEMINSIONS SHALL BE VERIFIED PRIOR TO FABRICATION.
- 4. ALL WELD PER AWS STANDARDS.
- 5. ALL STELL AND FABRICATION PER ASCI STANDARDS.
- 7. ITEM DEMINSIONS ARE TO BE MODIFIED FOR SHORTER TRUSS LENGTHS.
- 8. ALL FASTNERS SHALL BE INSTALLED PER MANUFACTURES SPECIFICATIONS.
- 9. TRUSS DESIGN CAN BE USED FOR TRUSS LENGTHS SHORTER THAN 50 FEET.
- 10. WELDING ELECTRODES SHALL BE E70XX
- 11. ALL WELDS SHALL BE IN ACCORDANCE WITH AWS REQUIRMENTS.
- 12. ALL POST SHALL BE #2 DENSE PRESSURE TREATED.

ITEM NO.	DESCRIPTION	MATERIAL (50 KSI)
A1	TOP CHORD	LL 2 X 2 X 3/16* ASTM 572
A2	BOTTOM CHORD	LL 2 X 2 X 3/16* ASTM 572
A3	VERTICAL CHORD	LL 3 X 2 X 3/8* ASTM 572
A4	VERTICAL CHORD	L 1 1/2 X 1 1/2 X 3/16 ASTM 572
A5	TIE	L 2 X 2 X 3/16 ASTM 572
A6	TIE	L 3 X 2 X 3/16 ASTM 572
W1	WEB	L 1-1/4 X 1-1/2 X 3/16 ASTM 572
W2	WEB	L 1-1/4 X 1-1/2 X 3/16 ASTM 572
B1	BASE	LL 2 X 2 X 3/16* ASTM 572

NOTE: LL * DENOTES DOUBLE ANGELS



TOMAS B WHITMAN
 2024.11.13
 11:27:56 -05'00'

DESIGNED TBW
 DRAWN DVD
 CHECKED TBW
 APPROVED TBW
 JOB NO.: 35224203
 DATE: 13 NOVEMBER 2024

MADISON ENGINEERING, LLC
 CONSULTING CIVIL & ENVIRONMENTAL ENGINEERING
 268 NE Ridge Loop
 Madison, Florida 32340
 Phone: 904.680.0000
 COA No.: 27216 www.madisonengineer.com

POLE BARN B - 12 X 62 LT
 APT TRUSSES
ANITA NAPIER (12X62)
 360 SW GRASSLAND WAY, LAKE CITY, FL 32024P

© COPYRIGHT 2024 ME
 VALID ONLY WITH DATED ORIGINAL SIGNATURE AND INK OR EMBOSSED SEAL
 T. BRENT WHITMAN, P.E.
 FL P.E. REG. NO. 63178
 SHEET NO.
3