

**General Roofing NOTES:**

**DECK REQUIREMENTS:**  
ASPHALT SHINGLES SHALL BE FASTENED TO SOLIDLY SHEATHED DECKS.

**SLOPE:**  
ASPHALT SHINGLES SHALL BE USED ONLY ON ROOF SLOPES OF 2/12 OR GREATER. FOR ROOF SLOPES FROM 2/12 TO 4/12, DBL. UNDERLAYMENT IS REQUIRED.

**UNDERLAYMENT:**  
UNLESS OTHERWISE NOTED, UNDERLAYMENT SHALL CONFORM W/ ASTM D 226, TYPE I, OR ASTM D 4869, TYPE I.

**SELF-ADHERING POLYMER MODIFIED BITUMEN SHEET:**  
SELF ADHERING POLYMER MODIFIED BITUMEN SHALL COMPLY W/ ASTM D 1910.

**ASPHALT SHINGLES:**  
ASPHALT SHINGLES SHALL HAVE SELF SEAL STRIPS OR BE INTERLOCKING, AND COMPLY WITH ASTM D 225 OR ASTM D 3462.

**FASTENERS:**  
FASTENERS FOR ASPHALT SHINGLES SHALL BE GALVANIZED, STAINLESS STEEL, ALUMINUM OR COPPER ROOFING NAILS. MINIMUM 12 GAUGE SHANK WITH A MINIMUM 3/8 INCH DIAMETER HEAD, OF A LENGTH TO PENETRATE THROUGH THE ROOFING MATERIAL AND A MINIMUM 3/4" INTO THE ROOF SHEATHING. WHERE THE SHEATHING IS LESS THAN 3/4" THICK, THE NAILS SHALL PENETRATE THROUGH THE SHEATHING.

**ATTACHMENT:**  
ASPHALT SHINGLES SHALL BE SECURED TO THE ROOF WITH NOT LESS THAN FOUR FASTENERS PER STRIP SHINGLE OR TWO FASTENERS PER INDIVIDUAL SHINGLE. WHERE ROOFS LOCATED IN 245C WIND SPEED OF 110 MPH OR GREATER, SPECIAL METHODS OF FASTENING ARE REQUIRED. UNLESS OTHERWISE NOTED, ATTACHMENT OF ASPHALT SHINGLES SHALL CONFORM WITH ASTM D 3161 OR M-DC PA 101-95.

**UNDERLAYMENT APPLICATION:**  
FOR ROOF SLOPES FROM 2/12 TO 4/12, UNDERLAYMENT SHALL BE A MINIMUM OF TWO LAYERS APPLIED AS FOLLOWS:  
1. STARTING AT THE EAVE, A 19 INCH STRIP OF UNDERLAYMENT SHALL BE APPLIED PARALLEL WITH THE EAVE AND FASTENED SUFFICIENTLY TO STAY IN PLACE.

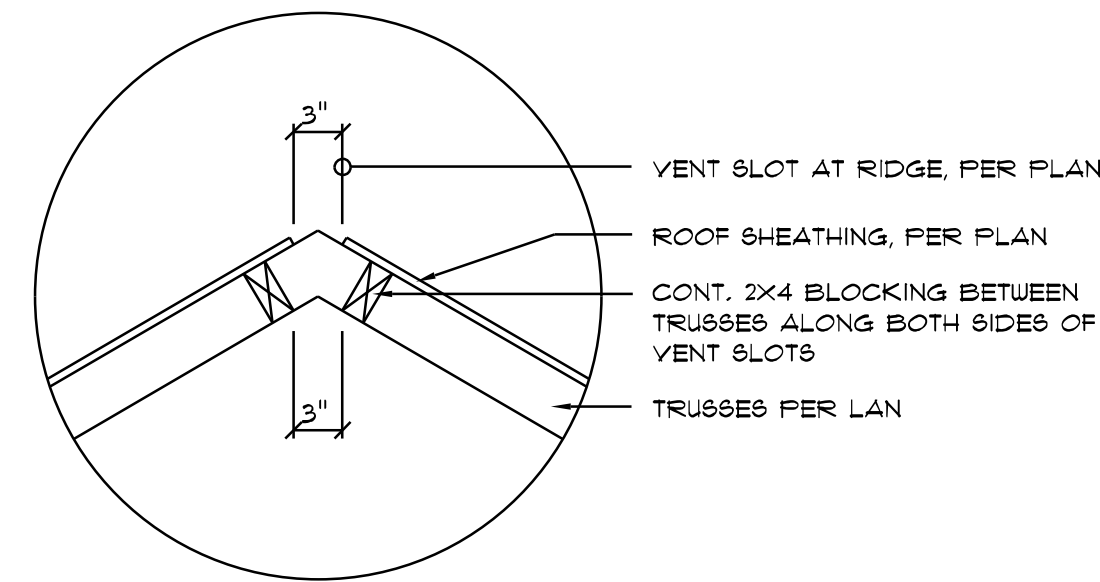
2. STARTING AT THE EAVE, 36 INCH WIDE STRIPS OF UNDERLAYMENT FELT SHALL BE APPLIED OVERLAPPING SUCCESSIVE SHEETS 19 INCHES AND FASTENED SUFFICIENTLY TO STAY IN PLACE.

FOR ROOF SLOPED 4/12 AND GREATER, UNDERLAYMENT SHALL BE A MINIMUM OF ONE LAYER OF UNDERLAYMENT FELT APPLIED AS FOLLOWS:  
STARTING AT THE EAVE, UNDERLAYMENT SHALL BE APPLIED SHINGLE FASHION PARALLEL TO THE EAVE, LAPPED 2 INCHES, AND FASTENED SUFFICIENTLY TO STAY IN PLACE.

**BASE AND CAP FLASHINGS:**  
BASE AND CAP FLASHING SHALL BE INSTALLED IN ACCORDANCE W/ MFG'S INSTALLATION INSTRUCTIONS. BASE FLASHING SHALL BE OF EITHER CORROSION RESISTANT METAL OF MINIMUM NOMINAL THICKNESS 0.019 INCH OR MINERAL SURFACE ROLL ROOFING WEIGHING A MINIMUM OF 71 LBS PER 100 SQUARE FEET. CAP FLASHING SHALL BE CORROSION RESISTANT METAL OF MINIMUM NOMINAL THICKNESS OF 0.019 INCH.

**VALLEYS:**  
VALLEY LININGS SHALL BE INSTALLED IN ACCORDANCE W/ MANUFACTURER'S INSTALLATION INSTRUCTIONS BEFORE APPLYING ASPHALT SHINGLES. VALLEY LININGS OF THE FOLLOWING TYPES SHALL BE PERMITTED:

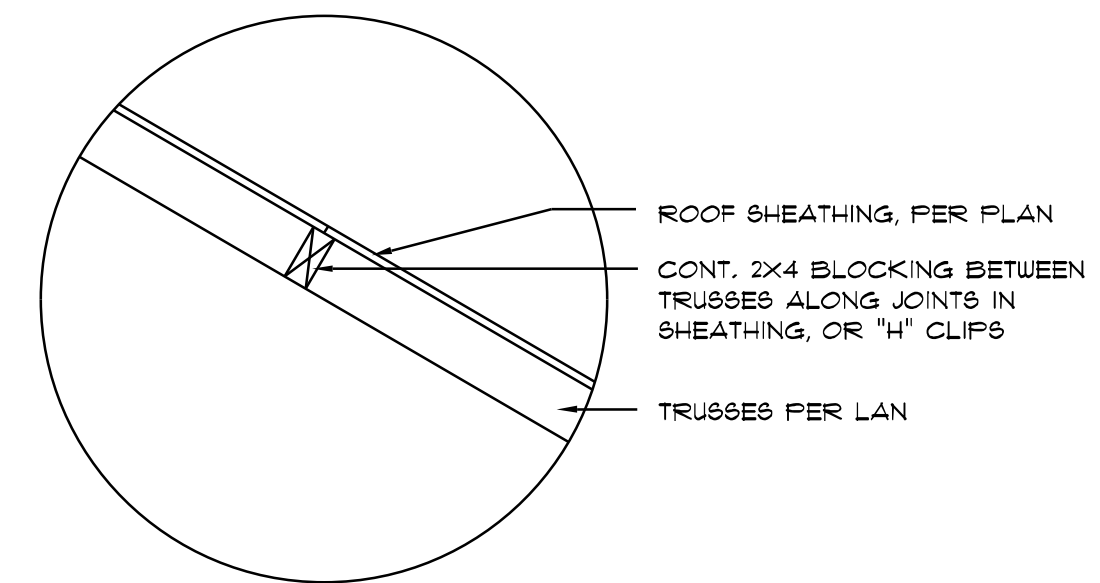
- FOR OPEN VALLEYS LINED WITH METAL, THE VALLEY LINING SHALL BE AT LEAST 16" WIDE AND OF ANY OF THE CORROSION RESISTANT METALS IN FBC TABLE 1507.3.2.
- FOR OPEN VALLEYS, VALLEY LINING OF TWO PLYS OF MINERAL SURFACE ROLL ROOFING SHALL BE PERMITTED. THE BOTTOM LAYER SHALL BE 18 INCHES AND THE TOP LAYER A MINIMUM OF 36 INCHES WIDE.
- FOR CLOSED VALLEYS VALLEY LINING SHALL BE ONE OF THE FOLLOWING:
  - BOTH TYPES 1 AND 2 ABOVE, COMBINED.
  - ONE PLY OF SMOOTH ROLL ROOFING AT LEAST 36 INCHES WIDE AND COMPLYING WITH ASTM D 224.
  - SPECIALTY UNDERLAYMENT AT LEAST 36 INCHES WIDE AND COMPLYING WITH ASTM D 1910.



**Vent DETAIL**

SCALE: NONE

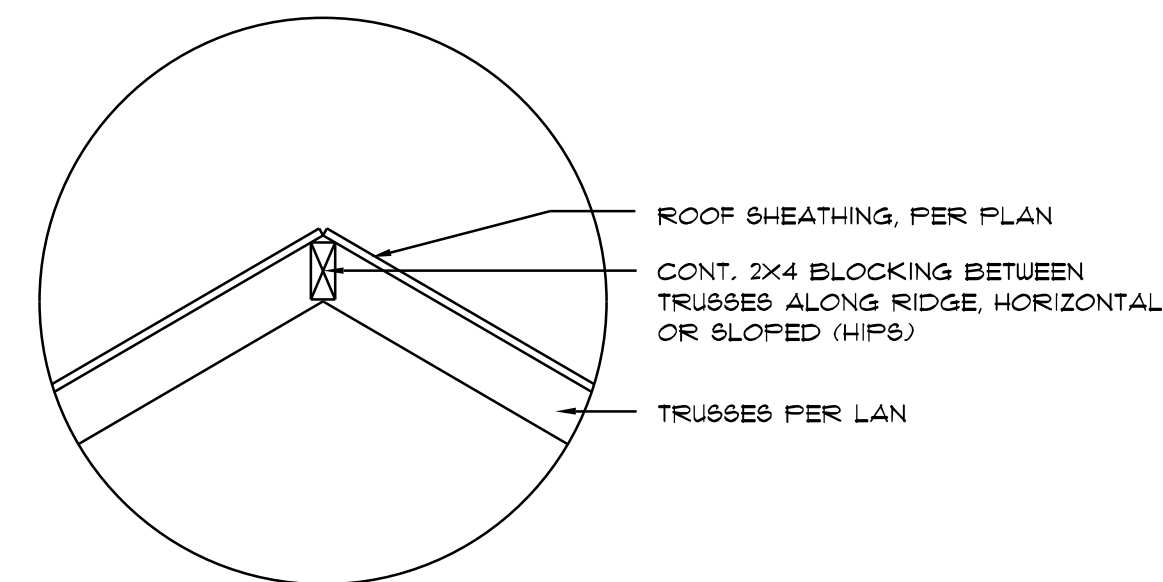
A1



**Joint DETAIL**

SCALE: NONE

A2



**Ridge DETAIL**

SCALE: NONE

A3

**FRAMING ANCHOR SCHEDULE**

APPLICATION	MANUF'R/MODEL	CAP.
TRUSS TO WALL:	SIMPSON H2.5a or 8DWC1600	600*
GIRDER TRUSS TO POST/HEADER:	SIMPSON LGT, W/ 2# - 16d NAILS	1185*
HEADER TO KING STUD(S):	SIMPSON 8T2	1310*
PLATE TO STUD:	NO CONNECTION REQ. WHEN USING WINDSTORM BOARD	
STUD TO BILL:	NO CONNECTION REQ. WHEN USING WINDSTORM BOARD	
PORCH BEAM TO POST:	SIMPSON FC44 or (2) 5/8" LAG BOLTS EA. POST	1100*
PORCH POST TO FND.:	SIMPSON ABU44	2200*
MISC. JOINTS	SIMPSON A34	315*/240*

**NOTE:**  
ALL ANCHORS SHALL BE SECURED W/ NAILS AS PRESCRIBED BY THE MANUFACTURER FOR MAXIMUM JOINT STRENGTH, UNLESS NOTED OTHERWISE.

**NOTE:**  
REFER TO THE INCLUDED STRUCTURAL DETAILS FOR ADDITIONAL ANCHORS/ JOINT REINFORCEMENT AND FASTENERS.

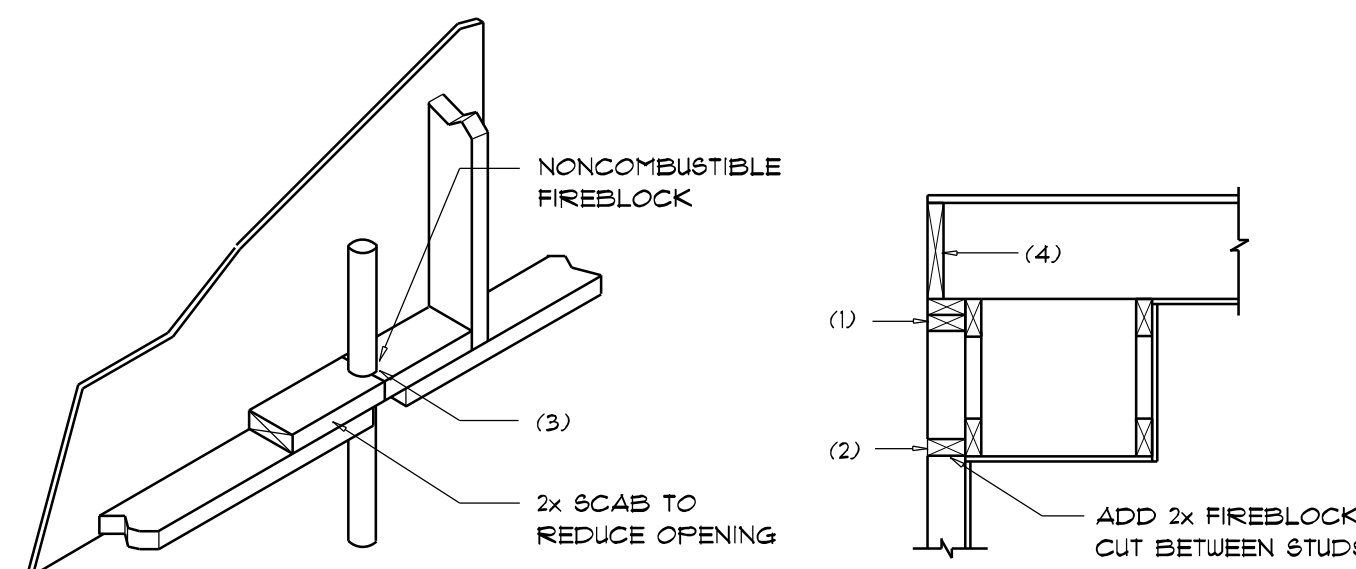
**NOTE:**  
ALL UNLISTED JOINTS IN THE LOAD PATH SHALL BE REINFORCED WITH SIMPSON A34 FRAMING ANCHORS, TYPICAL TO.

**NOTE:**  
"SEMCO" PRODUCT APPROVAL:  
MIAMI/DADE COUNTY REPORT #95-0818.15

**NOTE:**  
"SIMPSON" PRODUCT APPROVALS:  
MIAMI/DADE COUNTY REPORT #31-0101.05, #36-1126.11, #99-0623.04  
SECCI NER-443, NER-393

		BUILDING COMPONENTS & CLADDING LOADS MEAN BUILDING HEIGHT = 30.0', EXPOSURE "B" ROOF ANGLE T TO 2T			
WIND SPEED	WIND DIRECTION	VULT 100 MPH	VULT 120 MPH	VULT 130 MPH	VULT 140 MPH
ROOF T TO 2T	1	12.0 / -18.9	14.9 / -23.7	17.5 / -27.8	20.3 / -32.3
	1	11.4 / -18.4	13.6 / -23.0	16.0 / -27.0	18.5 / -31.4
	50	10.0 / -18.6	11.9 / -22.2	13.9 / -26.0	16.1 / -30.2
	2	12.5 / -34.7	14.9 / -41.3	17.5 / -48.4	20.3 / -56.2
	2	11.4 / -31.9	13.6 / -38.0	16.0 / -44.6	18.5 / -51.7
	50	10.0 / -28.2	11.9 / -33.6	13.9 / -39.4	16.1 / -45.7
WALL	3	12.5 / -51.3	14.9 / -61.0	17.5 / -71.6	20.3 / -83.1
	3	11.4 / -47.9	13.6 / -57.1	16.0 / -67.0	18.5 / -77.1
	50	10.0 / -43.5	11.9 / -51.8	13.9 / -60.8	16.1 / -70.5
	4	21.8 / -23.6	25.9 / -34.7	30.4 / -33.0	35.3 / -38.2
	4	20.8 / -22.6	24.7 / -28.9	29.0 / -31.6	33.7 / -36.1
	50	19.5 / -21.3	23.2 / -25.4	27.2 / -29.8	31.6 / -34.6
WALL	9	21.8 / -29.1	25.9 / -34.7	30.4 / -40.7	35.3 / -47.2
	9	20.8 / -27.2	24.7 / -32.4	29.0 / -38.0	33.7 / -44.0
	50	19.5 / -24.6	23.2 / -29.3	27.2 / -34.3	31.6 / -39.8

HEIGHT & EXPOSURE ADJUSTMENT COEFFICIENTS FOR BUILDING COMPONENTS & CLADDING			
BLDG HEIGHT	EXPOSURE "B"	EXPOSURE "C"	EXPOSURE "D"
15	.82	1.21	1.41
20	.89	1.28	1.55
25	.94	1.35	1.61
30	1.00	1.40	1.66



**PENETRATIONS**

**SOFFIT/DROPPED CLG.**

**FIREBLOCKING NOTES:**

FIREBLOCKING SHALL BE INSTALLED IN WOOD FRAME CONSTRUCTION IN THE FOLLOWING LOCATIONS:

- IN CONCEALED SPACES OF STUD WALLS AND PARTITIONS INCLUDING FURRED SPACES AT CEILING AND FLOOR LEVELS.
- AT ALL INTERCONNECTIONS BETWEEN CONCEALED VERTICAL AND HORIZONTAL SPACES SUCH AS OCCUR AT SOFFITS, DROP CEILING, COVE CEILING, ETC.
- AT OPENINGS AROUND VENTS, PIPES, DUCTS, CHIMNEYS AND FIREPLACES AT CEILING AND FLOOR LEVELS WITH "PYRO PANEL MULTIFLEX SEALANT"
- AT ALL INTERCONNECTIONS BETWEEN CONCEALED VERTICAL STUD WALL OR PARTITION SPACES AND CONCEALED SPACES CREATED BY AN ASSEMBLY OF FLOOR JOISTS, FIREBLOCKING SHALL BE PROVIDED FOR THE FULL DEPTH OF THE JOISTS AT THE ENDS AND OVER THE SUPPORTS.

**Fire Stopping DETAILS**

SCALE: NONE

A

**FLORIDA BUILDING CODE**

**Compliance Summary**

**TYPE OF CONSTRUCTION**

Roof: Gable Construction, Wood Trusses @ 24" O.C.  
Walls: 2x4 Wood Studs @ 16" O.C.  
Floor: 4" Thk. Concrete Slab W/ Fibermesh Concrete Additive  
Foundation: Continuous Footer/Beam Wall

**ROOF DECKING**

Material: 1/2" CDX Plywood or 7/16" O.S.B.  
Sheet Size: 48"x96" Sheets Perpendicular to Roof Framing  
Fasteners: .113 RING SHANKED Nails per schedule on sheet 8.4

**SHEARWALLS**

Material: 7/16" O.S.B. WINDSTORM BOARD  
Sheet Size: 48"x96" Sheets Placed Vertical  
Fasteners: .113 COMMON Nails @ 4" O.C. Edges @ 8" O.C. Interior  
Dragstrut: Double Top Plate (S.Y.P.) W/ 16d Nails @ 12" O.C.  
Wall Studs: 2x4 Studs @ 16" O.C.

**HURRICANE UPLIFT CONNECTORS**

Truss Anchors: SIMPSON H2.5a @ Ea. Truss End (Typ. U.O.N.)  
Wall Tension: Wall Sheathing Nailing is Adequate @ 8' x 4" O.C. Top & Bot.  
Anchor Bolts: 1/2" A307 Bolts @ 48" O.C. - 1st Bolt 6" from corner  
Corner Hold-down Device: (1) HDBa @ each corner  
Porch Column Base Connector: Simpson ABU66 @ each column  
Porch Column to Beam Connector: Simpson MBTA20 (2 ea. sides) or Simpson EPC66 or 2 - 5/8" thru bolts

**FOOTINGS AND FOUNDATIONS**

Footings: 20"x10" Cont. W/ 2 - #5 Bars Cont. on wire/plastic chairs @ 48" o.c.  
Stemwall: 8" C.M.U. W/ #5 Vertical Dowel @ 48" O.C.  
Int. Footings: 12" x 12" x Cont. W/ 2 - #5 Bars Cont. on wire/plastic chairs @ 48" o.c.

**STRUCTURAL DESIGN CRITERIA:**

1. THE DESIGN COMPLIES WITH THE REQUIREMENTS OF THE 2023 FLORIDA, 8th EDITION BUILDING CODE - SECTION 1609 AND OTHER REFERENCED CODES AND SPECIFICATIONS. ALL CODES AND SPECIFICATIONS SHALL BE LATEST EDITION AT TIME OF PERMIT.

2. WIND LOAD CRITERIA: RISK CATEGORY: 2, EXPOSURE: "B"

BASED ON ANSI/ASCE 7-22, 2023 FBC 1609-A WIND VELOCITY: V<sub>ULT</sub> = 130 MPH  
V<sub>50</sub> = 101 MPH

3. ROOF DESIGN LOADS:  
SUPERIMPOSED DEAD LOADS: . . . . . 20 PSF  
SUPERIMPOSED LIVE LOADS: . . . . . 20 PSF

4. FLOOR DESIGN LOADS:  
SUPERIMPOSED DEAD LOADS: . . . . . 25 PSF  
SUPERIMPOSED LIVE LOADS: . . . . . 40 PSF  
RESIDENTIAL . . . . . 60 PSF  
BALCONIES . . . . . 60 PSF

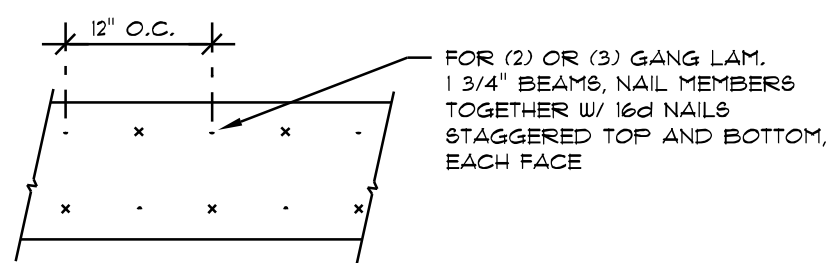
5. WIND NET UPLIFT: ARE AS INDICATED ON PLANS

**TERMITE PROTECTION NOTES:**

**SOIL CHEMICAL BARRIER METHOD:**

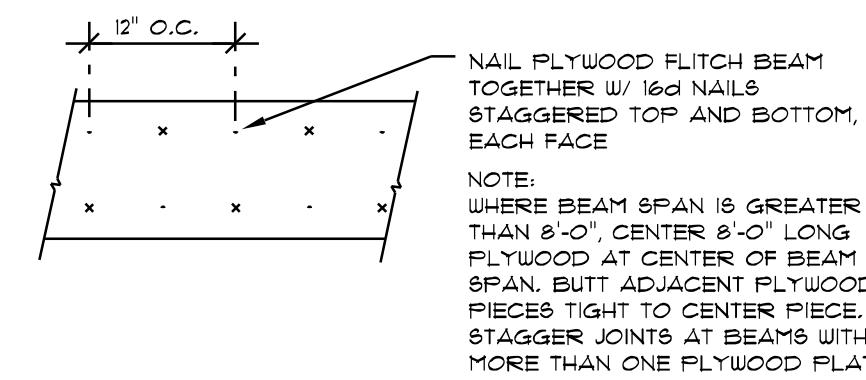
- A PERMANENT SIGN WHICH IDENTIFIES THE TERMITE TREATMENT PROVIDER AND NEED FOR REINSPECTION AND TREATMENT CONTRACT RENEWAL SHALL BE PROVIDED. THE SIGN SHALL BE POSTED NEAR THE WATER HEATER OR ELECTRIC PANEL. FBC 104.2.6
- CONDENSATE AND ROOF DOWNSPOUTS SHALL DISCHARGE AT LEAST 1'-0" AWAY FROM BUILDING SIDE WALLS. FBC 1503.4.4
- IRRIGATION/SPRINKLER SYSTEMS INCLUDING ALL RISERS AND SPRAY HEADS SHALL NOT BE INSTALLED WITHIN 1'-0" FROM BUILDING SIDE WALLS. FBC 1503.4.4
- TO PROVIDE FOR INSPECTION FOR TERMITE INFESTATION, BETWEEN WALL COVERINGS AND FINAL EARTH GRADE SHALL NOT BE LESS THAN 6". EXCEPTION: PAINT AND DECORATIVE CEMENTIOUS FINISH LESS THAN 5/8" THICK ADHERED DIRECTLY TO THE FOUNDATION WALL. FBC 1403.1.6
- INITIAL TREATMENT SHALL BE DONE AFTER ALL EXCAVATION AND BACKFILL IS COMPLETE. FBC 1816.1.1
- SOIL DISTURBED AFTER THE INITIAL TREATMENT SHALL BE RETREATED INCLUDING SPACES BOXED OR FORMED. FBC 1816.1.2

- BOXED AREAS IN CONCRETE FLOOR FOR SUBSEQUENT INSTALLATION OF TRAPS, ETC., SHALL BE MADE WITH PERMANENT METAL OR PLASTIC FORMS. PERMANENT FORMS MUST BE OF A SIZE AND DEPTH THAT WILL ELIMINATE THE DISTURBANCE OF SOIL AFTER THE INITIAL TREATMENT. FBC 1816.1.3
- MINIMUM 6 MIL VAPOR RETARDER MUST BE INSTALLED TO PROTECT AGAINST RAINFALL DILUTION. IF RAINFALL OCCURS BEFORE VAPOR RETARDER PLACEMENT, RETREATMENT IS REQUIRED. FBC 1816.1.4
- CONCRETE OVERPOUR AND MORTAR ALONG THE FOUNDATION PERIMETER MUST BE REMOVED BEFORE EXTERIOR SOIL TREATMENT. FBC 1816.1.5
- SOIL TREATMENT MUST BE APPLIED UNDER ALL EXTERIOR CONCRETE OR GRADE WITHIN 1'-0" OF THE STRUCTURE SIDEWALLS. FBC 1816.1.6
- AN EXTERIOR VERTICAL CHEMICAL BARRIER MUST BE INSTALLED AFTER CONSTRUCTION IS COMPLETE INCLUDING LANDSCAPING AND IRRIGATION. ANY SOIL DISTURBED AFTER THE VERTICAL BARRIER IS APPLIED, SHALL BE RETREATED. FBC 1816.1.6
- ALL BUILDINGS ARE REQUIRED TO HAVE PER-CONSTRUCTION TREATMENT. FBC 1816.1.7
- A CERTIFICATE OF COMPLIANCE MUST BE ISSUED TO THE BUILDING DEPARTMENT BY A LICENSED PEST CONTROL COMPANY BEFORE A CERTIFICATE OF OCCUPANCY WILL BE ISSUED. THE CERTIFICATE OF COMPLIANCE SHALL STATE: "THE BUILDING HAS RECEIVED A COMPLETE TREATMENT FOR THE PREVENTION OF SUBTERRANEAN TERMITES. THE TREATMENT IS IN ACCORDANCE WITH THE RULES AND LAWS OF THE FLORIDA DEPARTMENT OF AGRICULTURE AND CONSUMERS SERVICES". FBC 1816.1.7
- AFTER ALL WORK IS COMPLETED, LOOSE WOOD AND FILL MUST BE REMOVED FROM BELOW AND WITHIN 1'-0" OF THE BUILDING. THIS INCLUDES ALL GRADE STAKES, TUB TRAP BOXES, FORMS, SHORING OR OTHER CELLULOSE CONTAINING MATERIAL. FBC 2303.1.3
- NO WOOD, VEGETATION, STUMPS, CARDBOARD, TRASH, ETC., SHALL BE BURIED WITHIN 15'-0" OF ANY BUILDING OR PROPOSED BUILDING. FBC 2303.1.4



**MULTIPLE GANG LAM. DETAIL**

NOT TO SCALE



**PLYWOOD FITCH BEAM DETAIL**

NOT TO SCALE

**B/U Beam DETAILS**

SCALE: NONE

B

REVISIONS
July 29th, 2025

**WILBUR & KAY WATERS**  
507 W LAKESHORE DRIVE, STARKE, FL 32091

**NICHOLAS PAUL GEISLER ARCHITECT**  
1956 NW Brown Rd., Lakeland, FL 32095  
N.C.A.R.E. Certified

SHEET NUMBER  
**S.3**  
OF 4 SHEETS

AR0007005