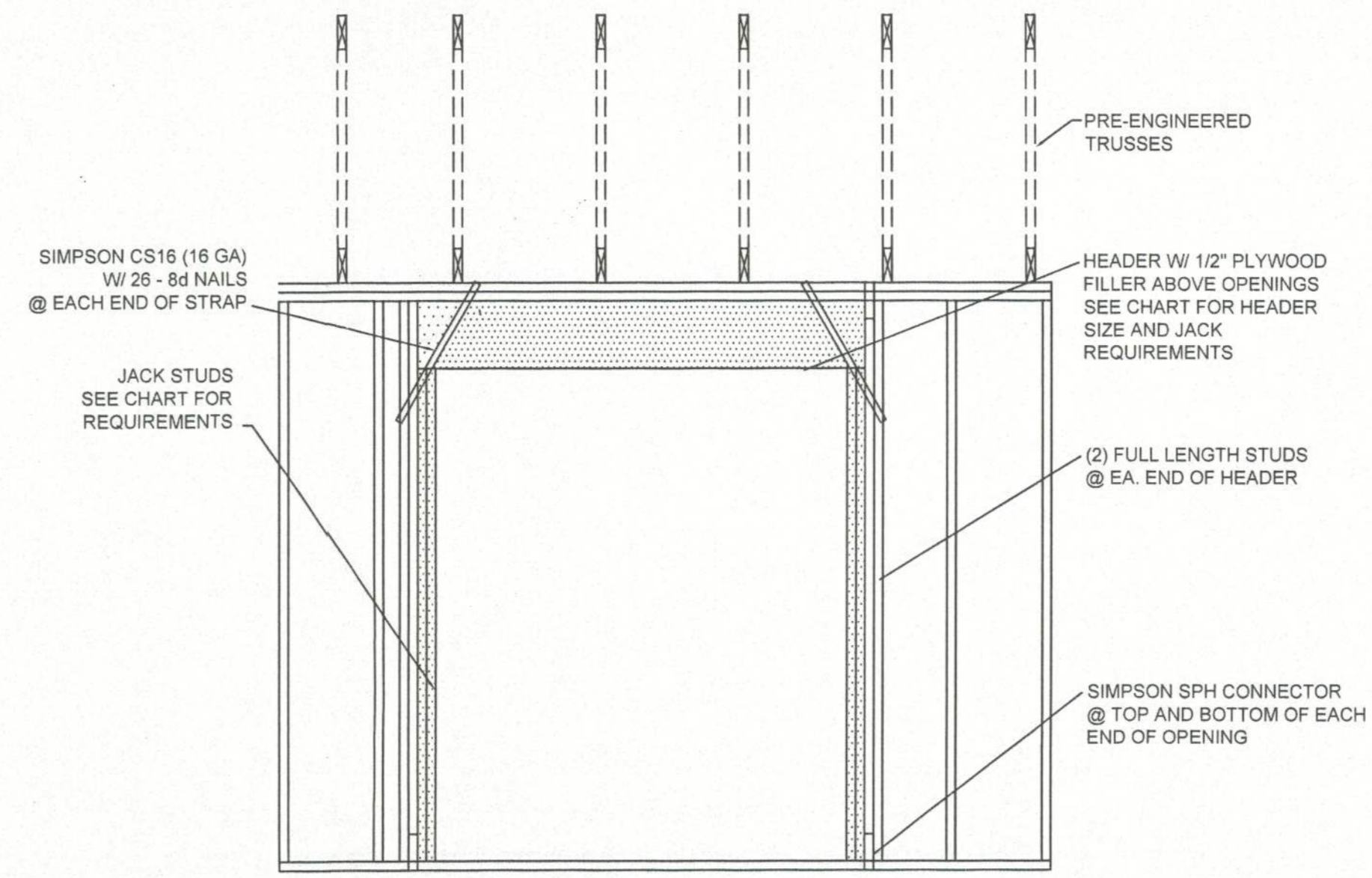


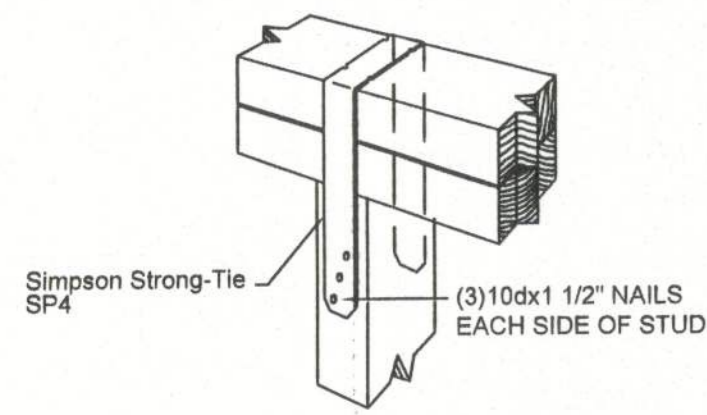
TYPICAL PERFORATED SHEARWALL

SCALE 3/8"=1'-0"

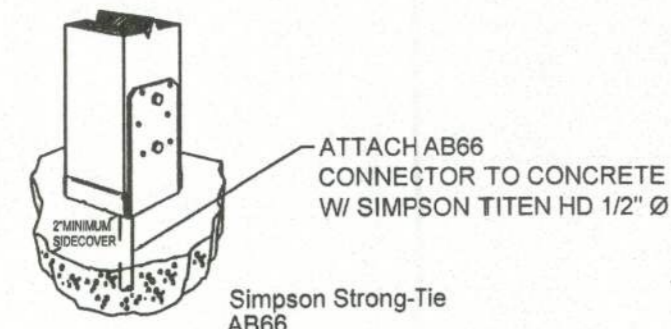


TYP. FRAMING & UPLIFT CONNECTIONS FOR OPENINGS

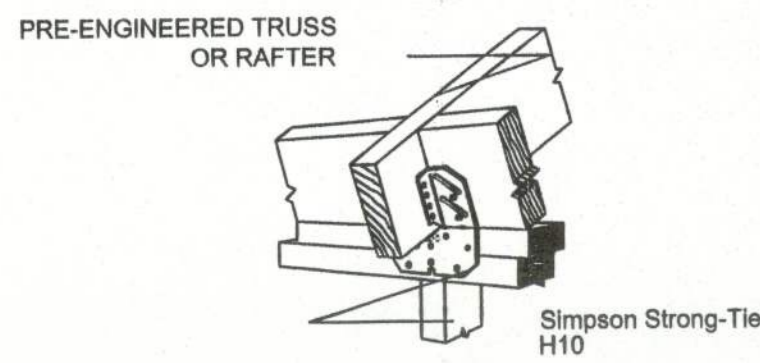
SUPPORTING:		HEADER SIZE	BUILDING WIDTH (FT)					
			20'		28'		36'	
		SPAN	# JACKS	SPAN	# JACKS	SPAN	# JACKS	
ROOF, CEILING	2-2x4	3'-6"	1	3'-2"	1	2'-10"	1	
	2-2x6	5'-5"	1	4'-8"	1	4'-2"	1	
	2-2x8	6'-10"	1	5'-11"	2	5'-4"	1	
	2-2x10	8'-5"	2	7'-3"	2	6'-6"	2	
	2-2x12	9'-9"	2	8'-5"	2	7'-6"	2	
	3-2x8	8'-4"	1	7'-6"	1	6'-8"	1	
	3-2x10	10'-5"	1	9'-1"	2	8'-2"	1	
	3-2x12	12'-2"	2	10'-7"	2	9'-5"	2	
	4-2x8	9'-2"	1	8'-4"	1	9'-2"	1	
	4-2x10	11'-8"	1	10'-6"	1	9'-5"	1	
4-2x12	14'-1"	1	12'-2"	2	10'-11"	1		



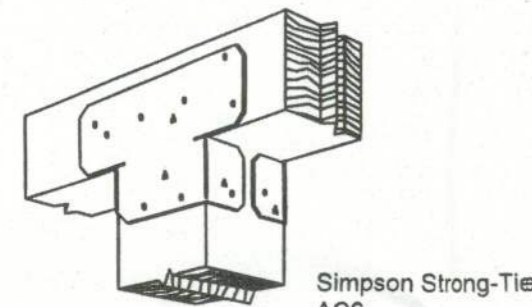
STUD TIES DETAILS
NTS



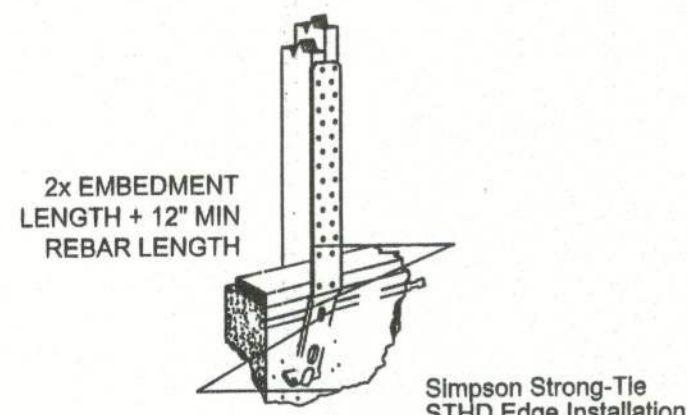
POST ANCHOR DETAIL
NTS



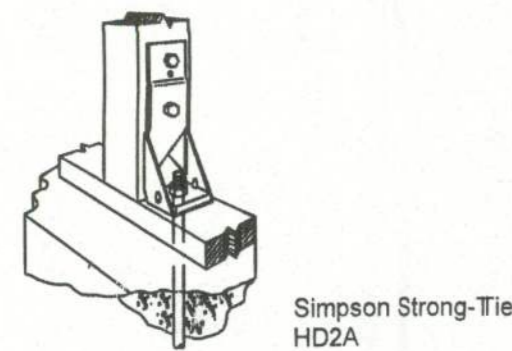
STUD TIES DETAILS
NTS



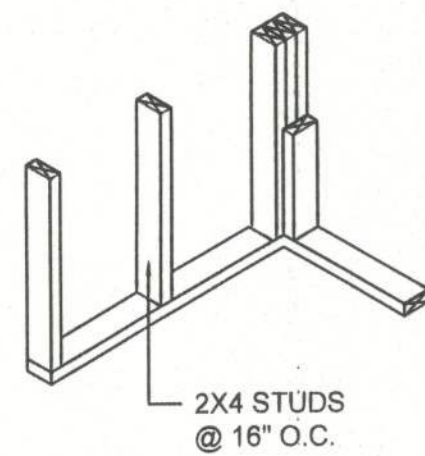
POST CAP DETAIL
NTS



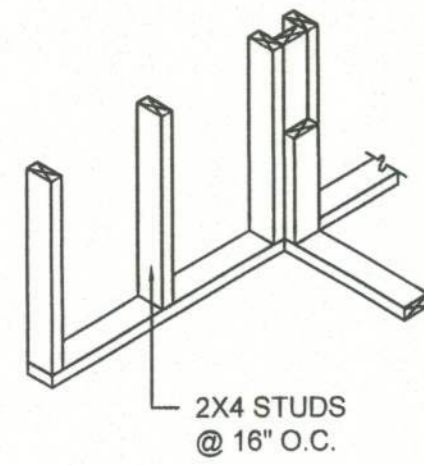
HOLDOWN DETAIL
NTS



HOLDOWN DETAIL
NTS

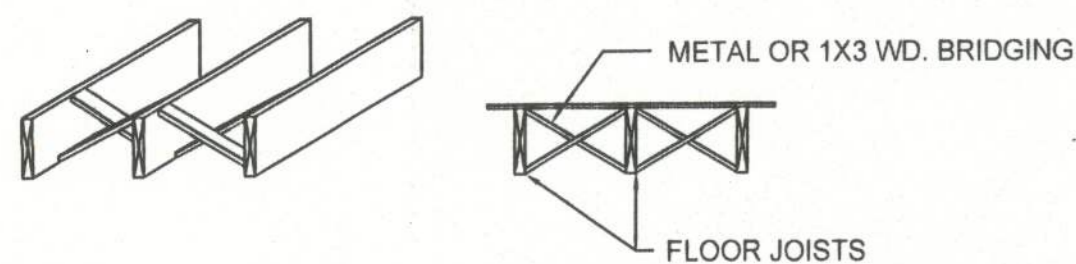


WALL CORNER

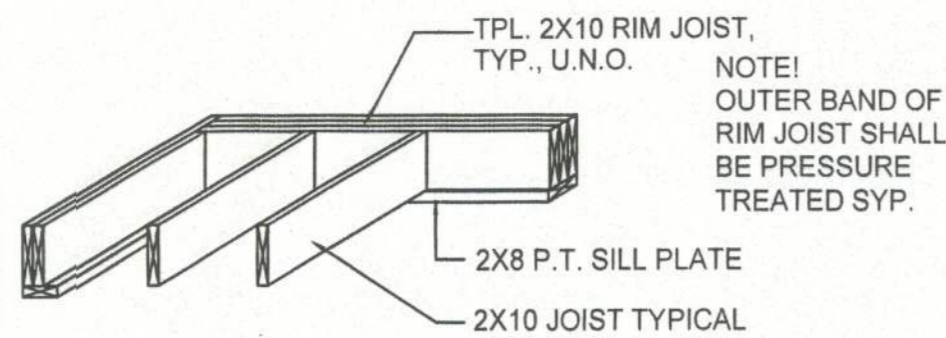


WALL INTERSECTION

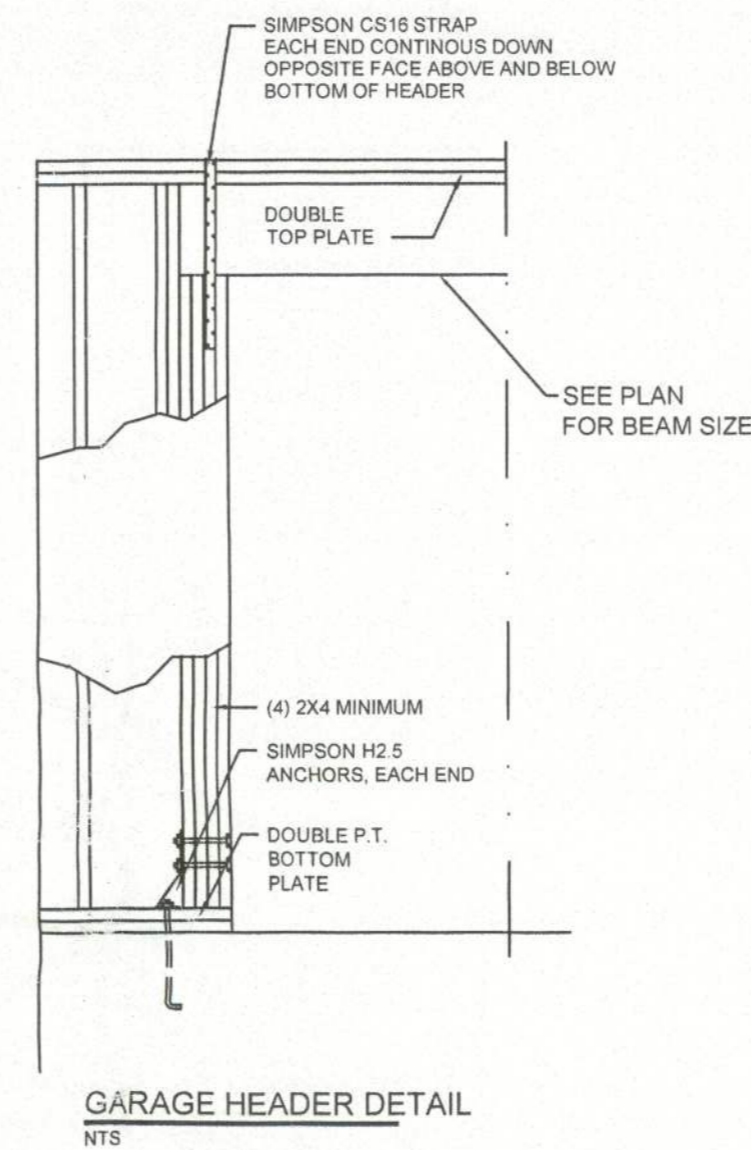
NAIL BRIDGING STRIPS AT TOP, BUT NOT AT BOTTOM, INSTALL SUB-FLOOR THEN SECURELY NAIL BRIDGING IN PLACE AFTER FRAMING IS COMPLETE.



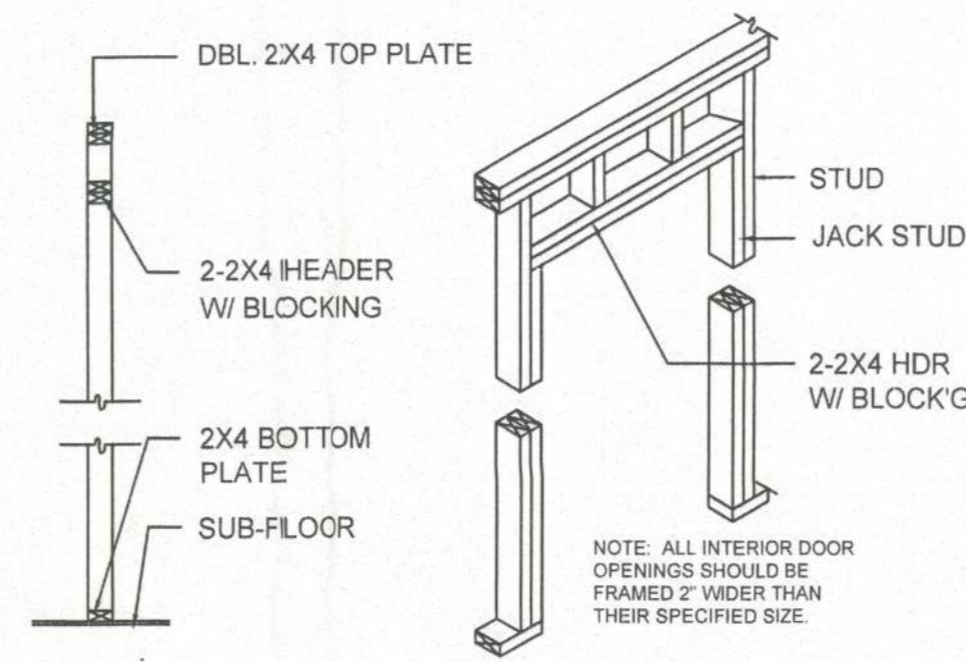
NOTE: ALTERNATE BRIDGING MAY BE ACCOMPLISHED W/ SECTIONS OF FLOOR JOIST MATERIAL PLACED PERPENDICULAR TO JOISTS, STAGGERED ALONG THE LINE OF BRIDGING.



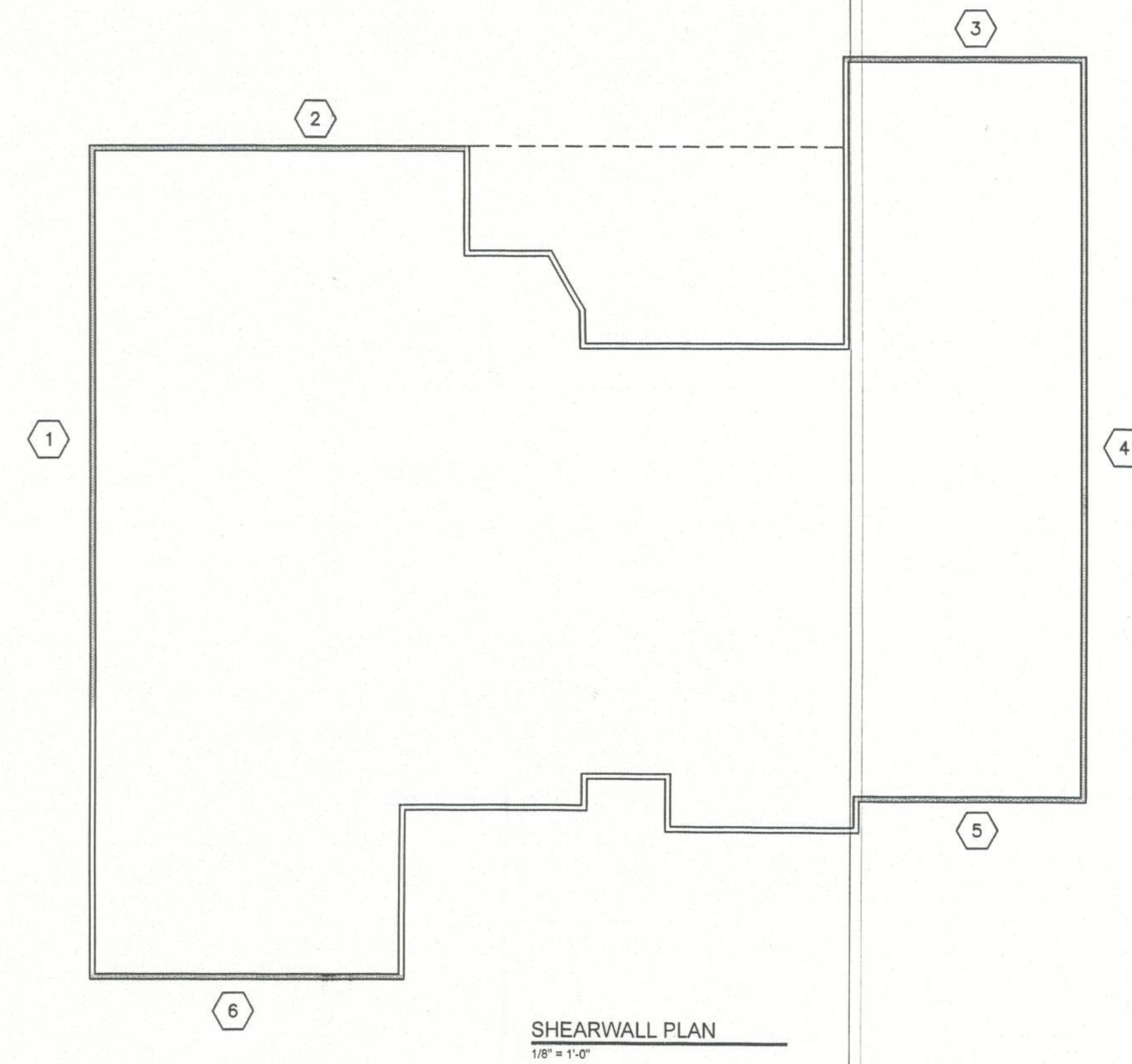
TYPICAL 1st FLOOR FRAMING
NOTE: SEE PLANS FOR SIZE & SPACING



GARAGE HEADER DETAIL
NTS



NON-BEARING WALL HEADER



SHEAR WALL FINISH SCHEDULE						
(X)	WALL MATERIAL	NAILING SIZE AND SPACING	STUD SIZE	ANCHOR BOLTS	HOLDOWNS	NOTES
1	15/32" PLYWOOD STRUCT-1	EDGE :8d @ 4" O.C.	2 X 4	3/4" Ø @ 4' O.C.	SIMPSON -STHD10	SEE GARAGE HEADER DETAILS FOR SPECIAL HOLDOWNS
2	15/32" PLYWOOD STRUCT-1	EDGE :8d @ 4" O.C.	2 X 4	3/4" Ø @ 4' O.C.	SIMPSON -STHD10	-
3	15/32" PLYWOOD STRUCT-1	EDGE :8d @ 4" O.C.	2 X 4	3/4" Ø @ 4' O.C.	SIMPSON -STHD10	-
4	15/32" PLYWOOD STRUCT-1	EDGE :8d @ 4" O.C.	2 X 4	3/4" Ø @ 4' O.C.	SIMPSON -STHD10	-
5	15/32" PLYWOOD STRUCT-1	EDGE :8d @ 4" O.C.	2 X 4	3/4" Ø @ 4' O.C.	SIMPSON -STHD10	-
6	15/32" PLYWOOD STRUCT-1	EDGE :8d @ 4" O.C.	2 X 4	3/4" Ø @ 4' O.C.	SIMPSON -STHD10	-

REV #	DATE	REVISION NOTES
0	7/7/05	FOR PERMITTING



GATEWAY DEVELOPMENT, LLC
ARBOR GREENE - EMERALD LAKES

WALL AND FLOOR DETAILS

PROJECT NUMBER: ---
DRAWN BY: GG
CHECKED BY: ---
SHEET NUMBER: S-1

7/8/15