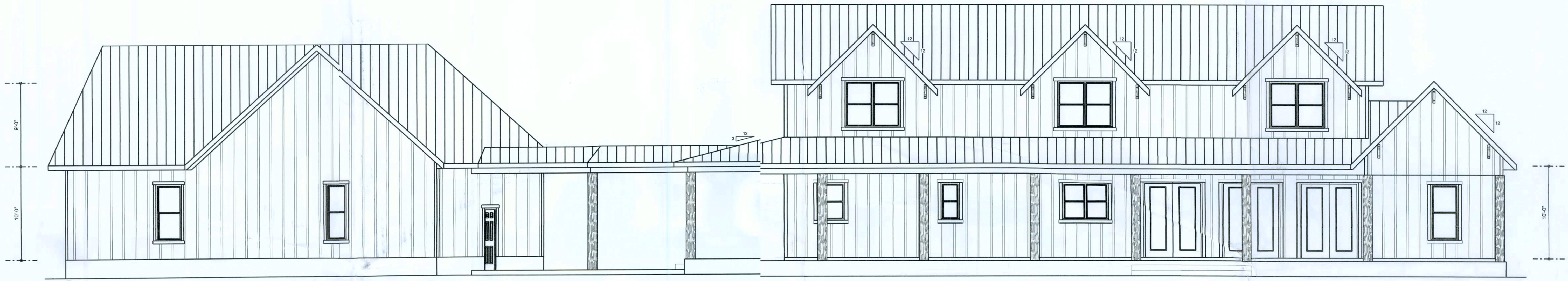
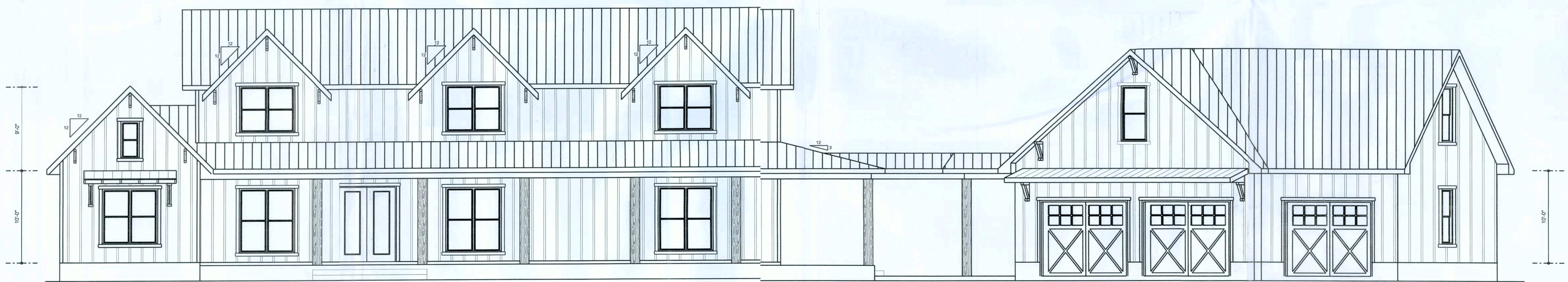




REVISIONS SCHEDULE	
Nov. 30th 2018	PROPOSAL
April 8th, 2019	PERMIT DRAWINGS



REAR ELEVATION
SCALE: 3/16" = 1'-0"



FRONT ELEVATION
SCALE: 3/16" = 1'-0"

GLACKIN RESIDENCE
COLUMBIA COUNTY, FLORIDA
IC CONSTRUCTION, LLC
LAKE CITY, FL 32055

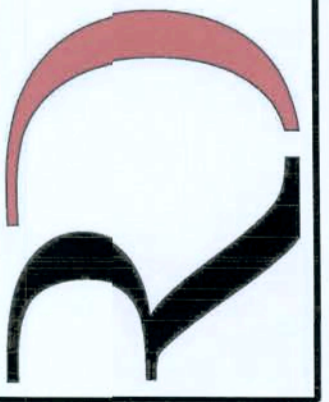
RIDGEPOINT DESIGN
818 WEST DUVAL STREET, LAKE CITY, FLORIDA 32053
P: 386-288-1188
E: RIDGEPOINTDESIGN@GMAIL.COM

SHEET NUMBER
A.1
OF 6 SHEETS

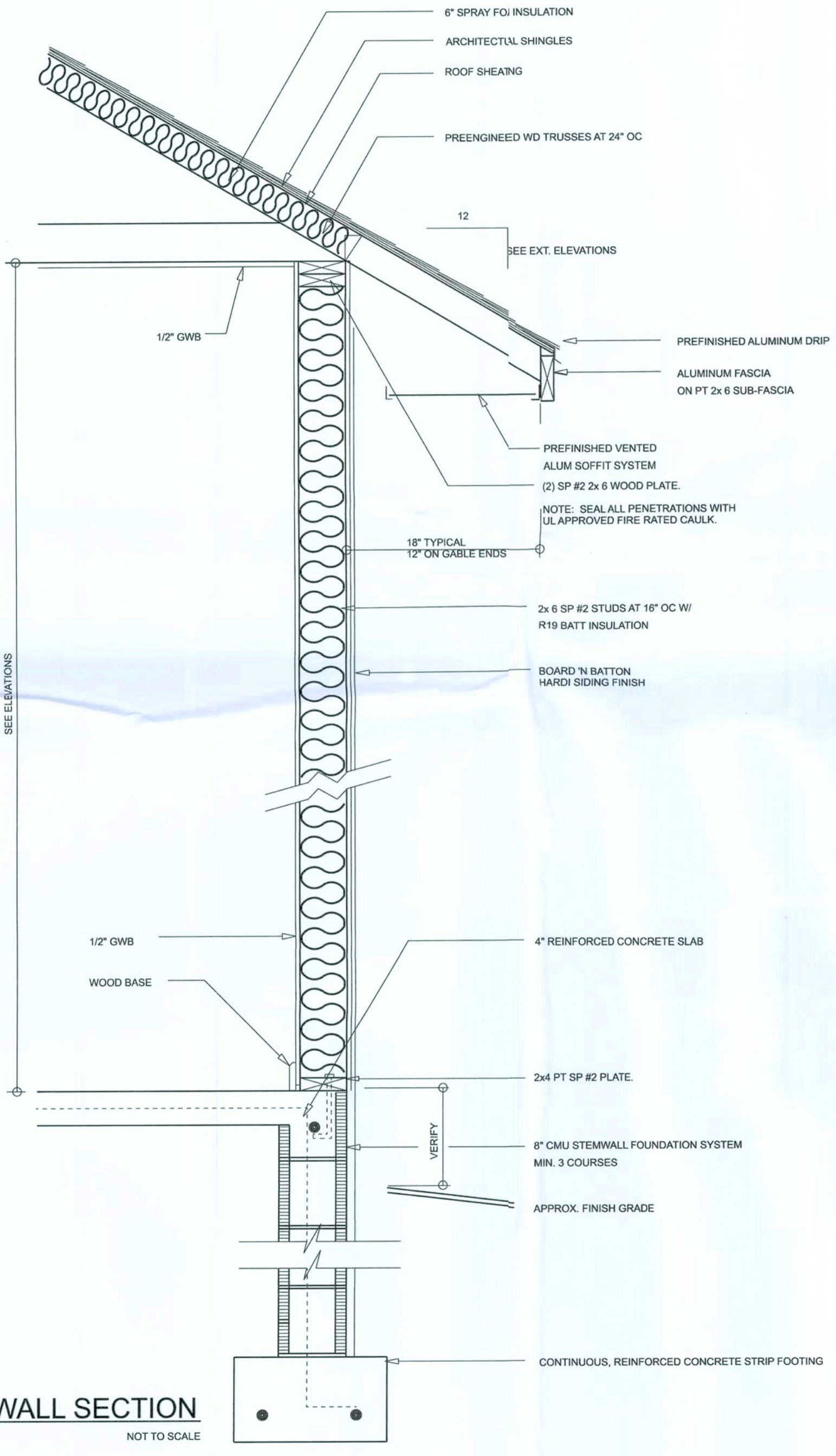
REVISIONS SCHEDULE	
Nov. 30th 2018	PROPOSAL
April 8th, 2019	PERMIT DRAWINGS

GLACKIN RESIDENCE
 COLUMBIA COUNTY, FLORIDA
 IC CONSTRUCTION, LLC
 LAKE CITY, FL 32055

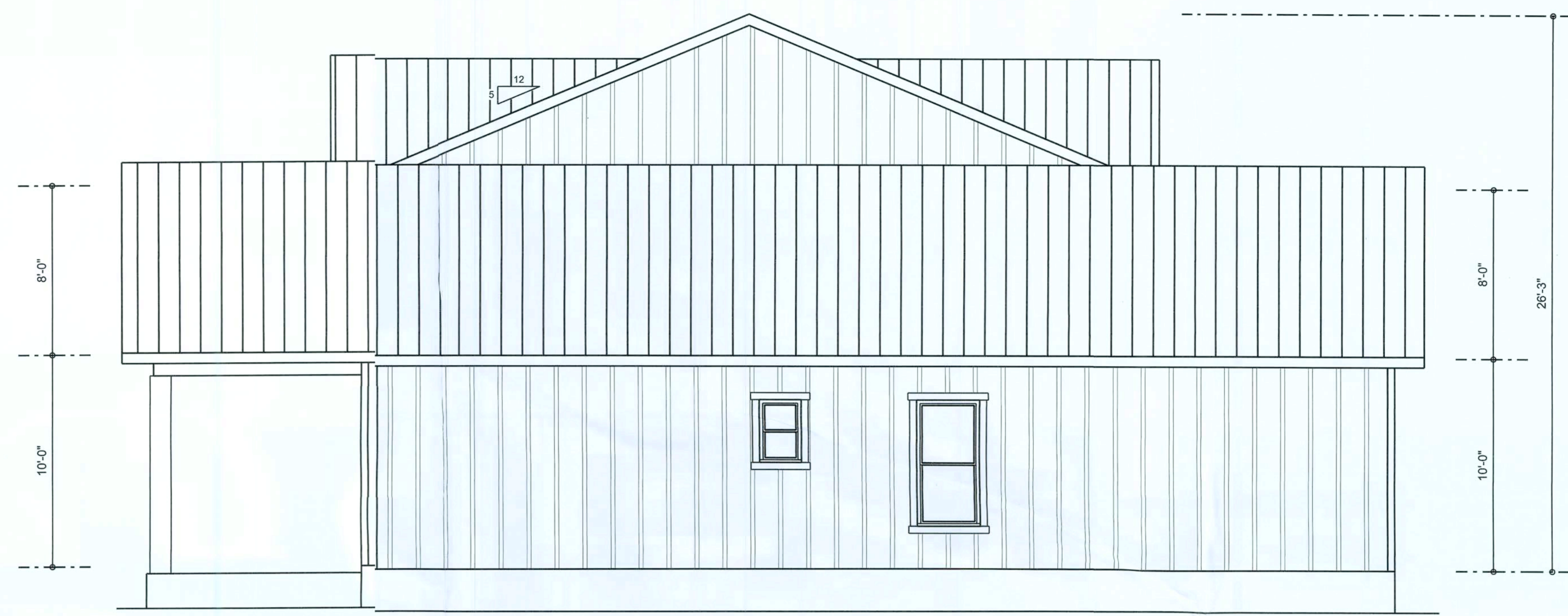
RIDGEPOINT DESIGN
 818 WEST DUVAL STREET, LAKE CITY, FLORIDA 32055
 P: 386-288-1188
 E: RIDGEPOINTDESIGN@GMAIL.COM



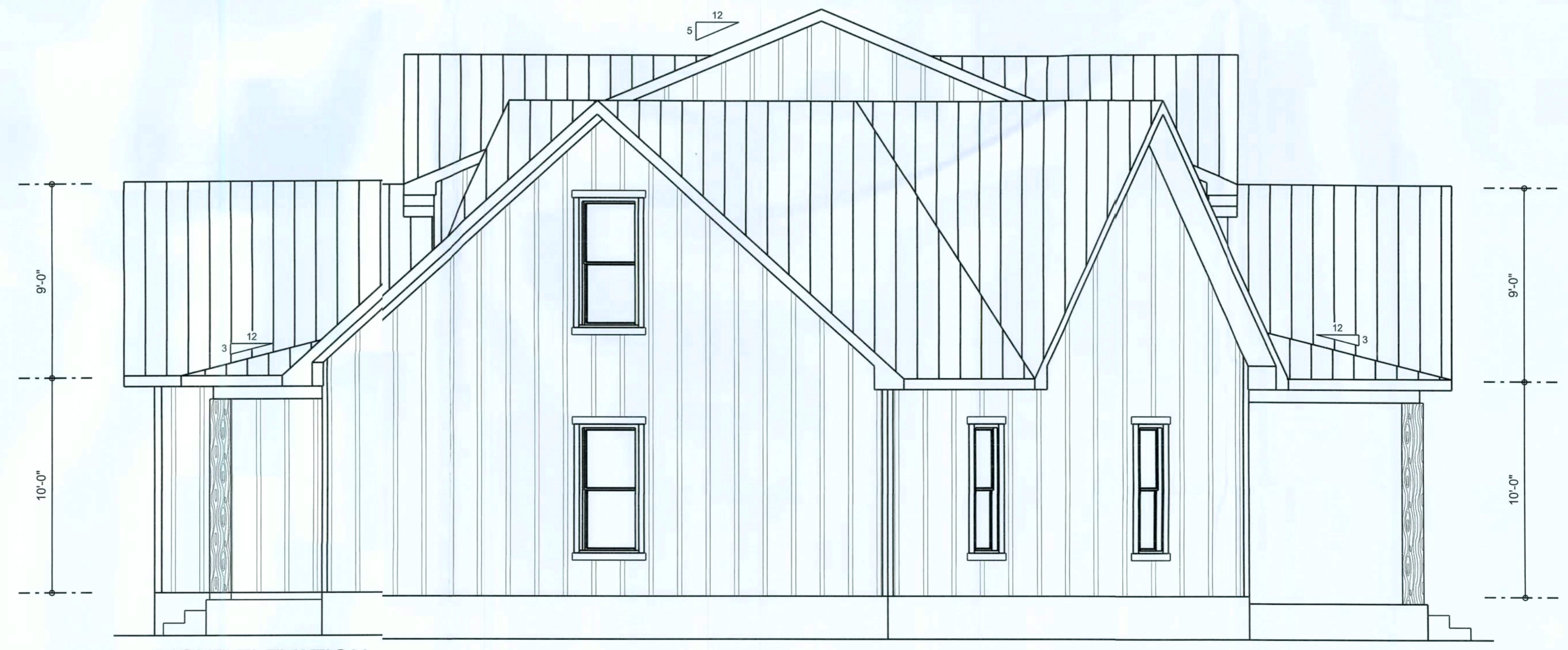
SHEET NUMBER
A.2
 OF 3 SHEETS



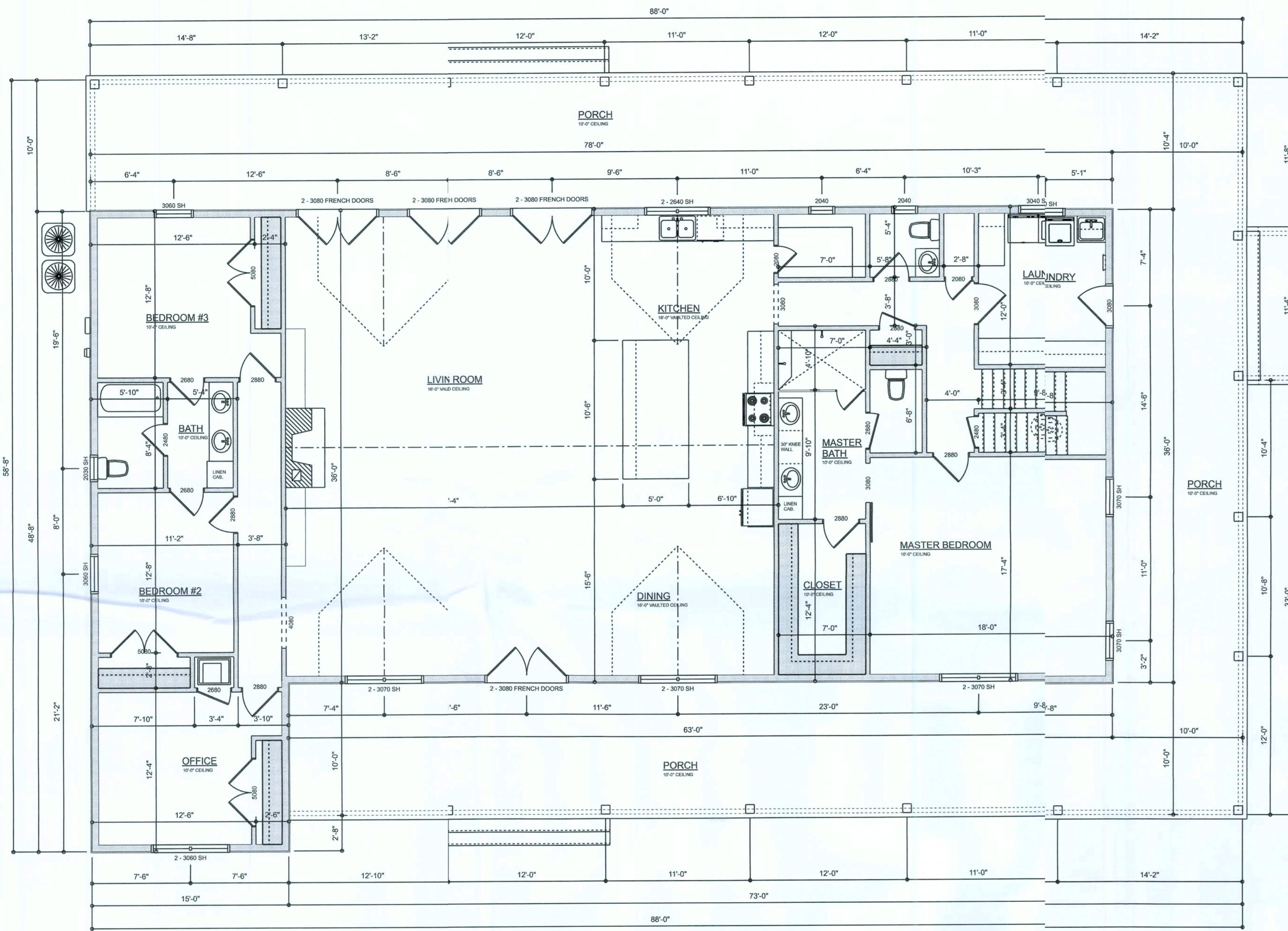
TYPICAL WALL SECTION
 SCALE: NOT TO SCALE



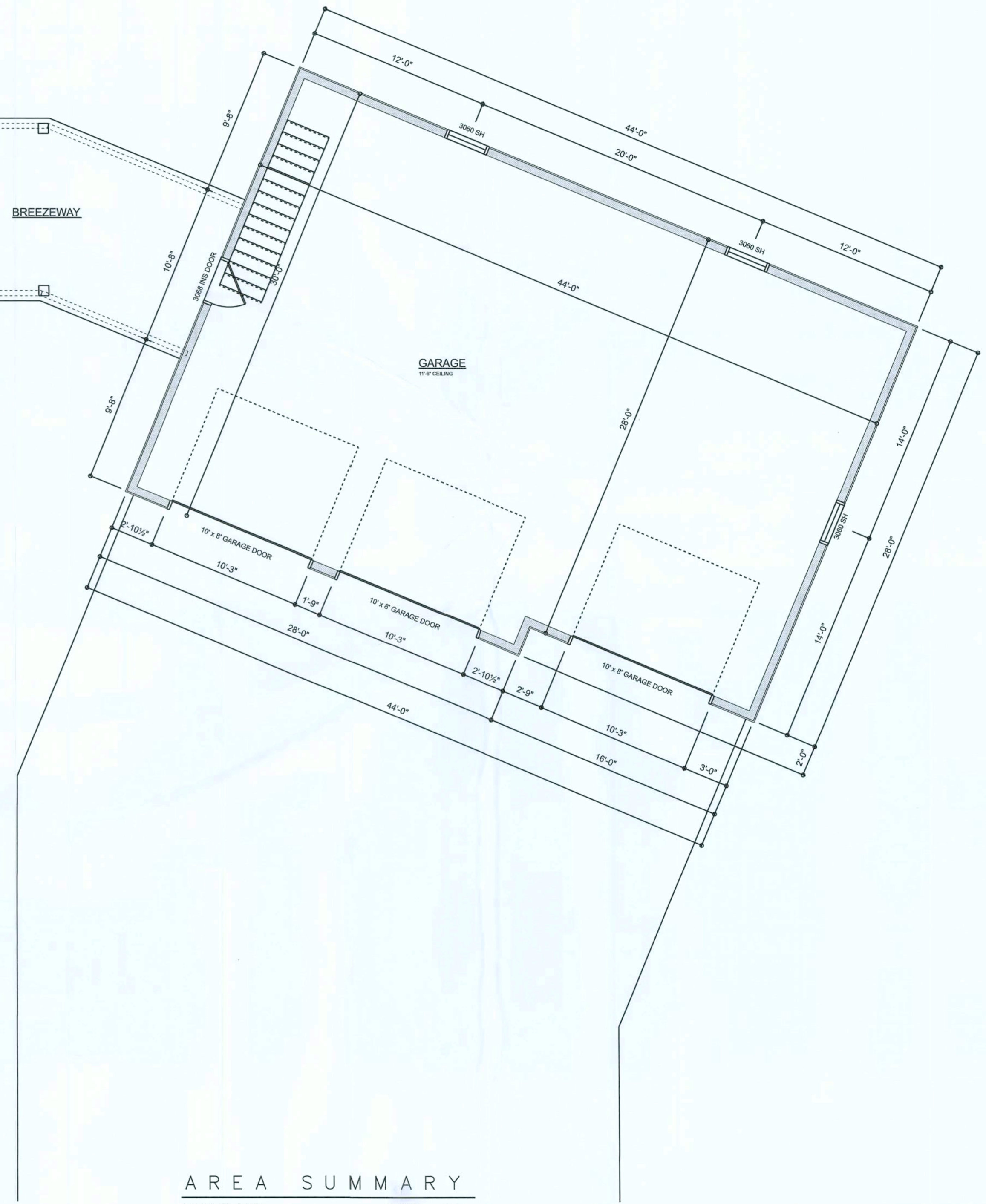
LEFT ELEVATION
 SCALE: 1/4" = 1'-0"



RIGHT ELEVATION
 SCALE: 1/4" = 1'-0"



DIMENSIONED FLOOR PLAN
SCALE: 3/16" = 1'-0"



AREA SUMMARY

MAIN FLOOR	2,998	S.F.
PROPOSED 2nd FLOOR	832	S.F.
BONUS OVER GARAGE	572	S.F.
GARAGE	1,288	S.F.
WRAP-AROUND PORCH	1,972	S.F.
BREEZEWAY	246	S.F.
TOTAL LIVING	7,908	S.F.

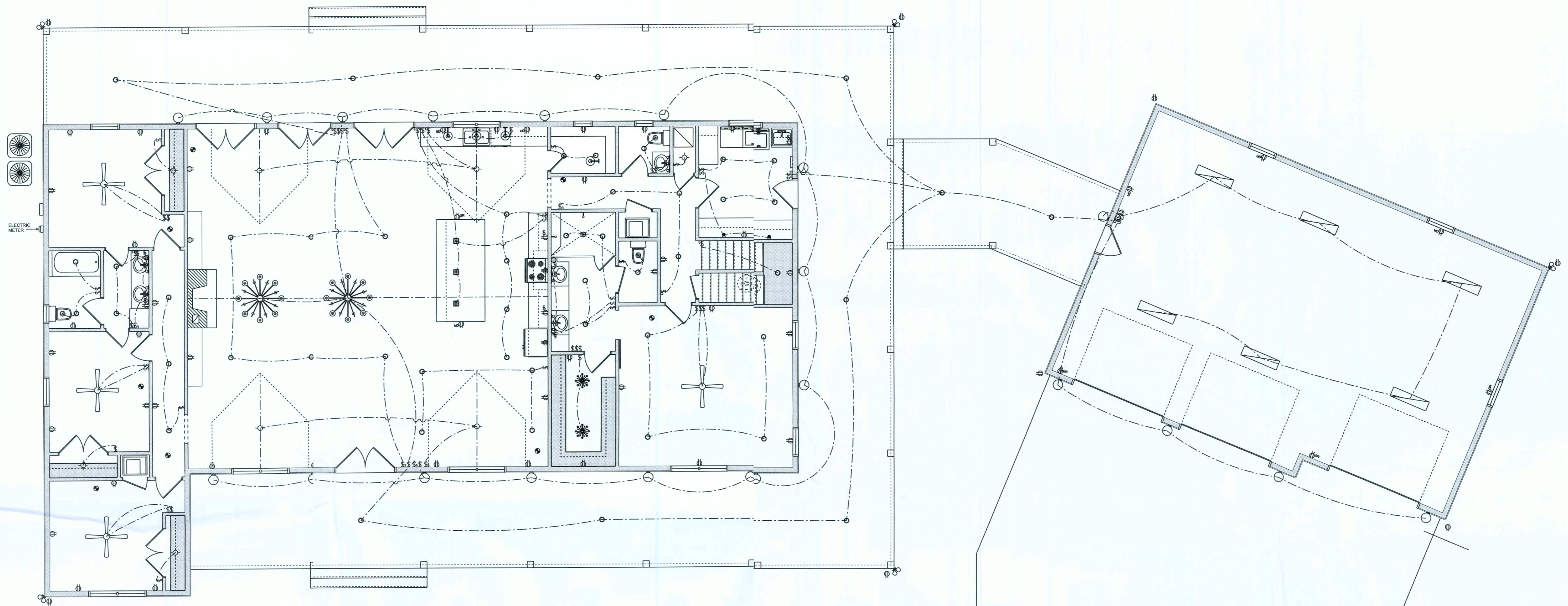
REVISIONS SCHEDULE

Nov. 30th, 2018	PROPOSAL
April 8th, 2019	PERMIT DRAWINGS

GLACKIN RESIDENCE
COLUMBIA COUNTY, FLORIDA
IC CONSTRUCTION, LLC
LAKE CITY, FL 32055

RIDGEPOINT DESIGN
818 WEST DUVAL STREET, LAKE CITY, FLORIDA 32055
P: 386-288-1188
E: RIDGEPOINTDESIGN@GMAIL.COM

SHEET NUMBER
A.3
OF 6 SHEETS



ELECTRICAL FLOOR PLAN
SCALE: 3/16" = 1'-0"

ELECTRICAL LEGEND		
ELECTRICAL	COUNT	SYMBOL
CEILING FAN	4	
CAN LIGHT 6inch	49	
FLUORESCENT LIGHT 1x4	6	
PENDANT LIGHT	3	
can light 6inch	2	
ceiling classic	4	
EXTERIOR SCONCE	20	
MOTION SECURITY LIGHT	5	
ELECTRIC METER	1	
ELECTRIC PANEL	1	
EXHAUST FAN	4	
OUTLET	48	
OUTLET 220v	3	
OUTLET GFI	17	
SMOKE DETECTOR	8	
STANDARD LIGHT	8	
SWITCH	39	
SWITCH 3 WAY	19	
VANITY BAR LIGHT - SMALL	5	
egitto 1	2	
wall mounted savoy	4	

ELECTRICAL PLAN NOTES:

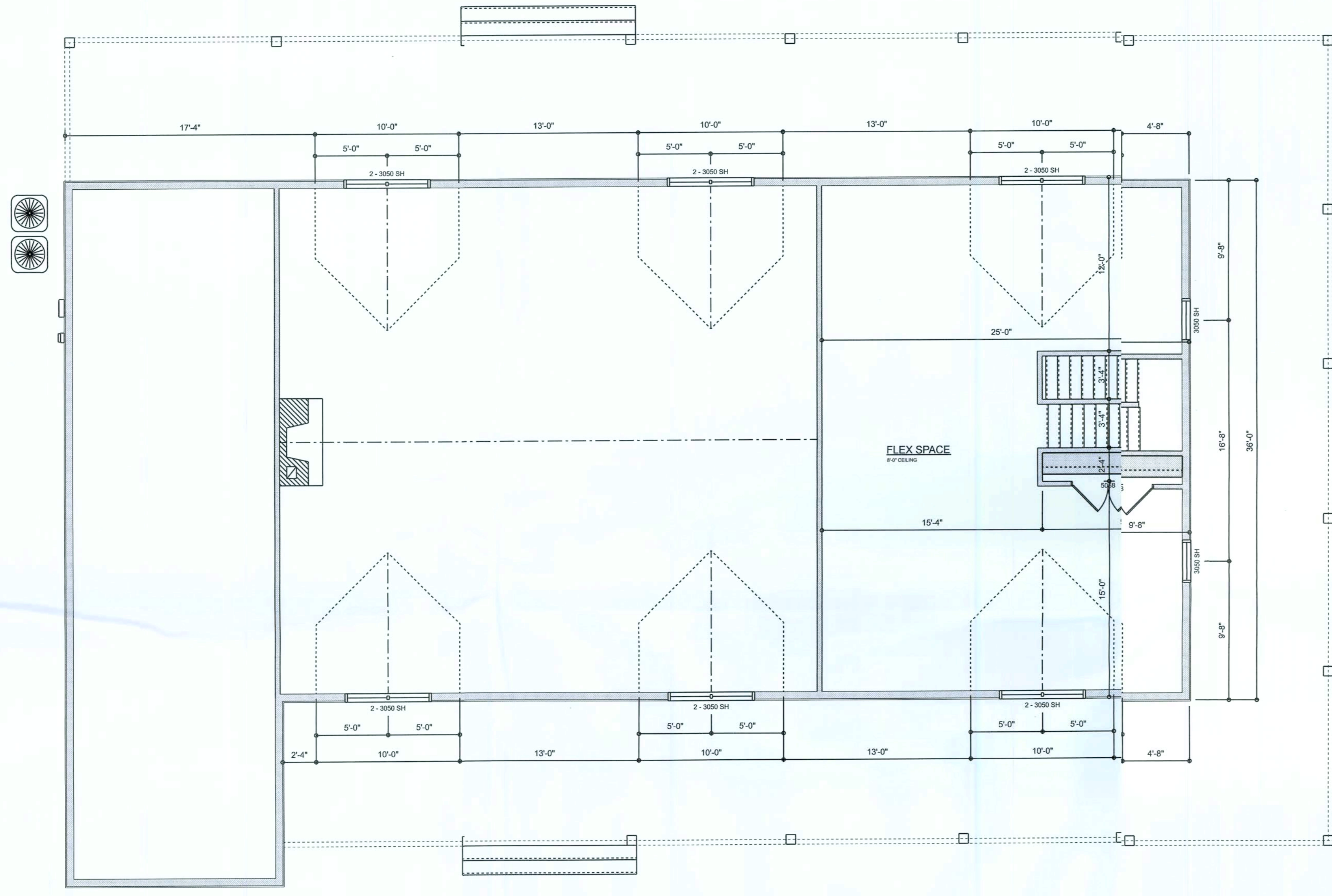
- INSTALLATION SHALL BE PER 2017 NAT'L ELECTRIC CODE.
 - WIRE ALL APPLIANCES, HVAC UNITS AND OTHER EQUIPMENT PER MANUFACTURER'S SPECIFICATIONS
 - CONSULT WITH THE OWNER FOR THE NUMBER OF SEPARATE TELEPHONE LINES TO BE INSTALLED
 - ALL SMOKE DETECTORS SHALL BE 120v, W/ BATTERY BACKUP OF THE PHOTOELECTRIC TYPE, AND SHALL BE INTERLOCKED TOGETHER, INSTALL INSIDE AND NEAR ALL BEDROOMS
 - TELEPHONE, TELEVISION AND OTHER LOW VOLTAGE DEVICES OR OUTLETS SHALL BE AS PER THE OWNER'S DIRECTIONS, & IN ACCORDANCE W/ APPLICABLE SECTIONS C, OF NEC-LATEST EDITION.
 - ALL RECEPTICALS, NOT OTHERWISE NOTED, SHALL BE ARC FAULT INTERRUPTER TYPE, EXCEPT DEDICATED OUTLETS
 - ALL RECEPTICALS IN WET AREAS SHALL BE GROUND FAULT INTERRUPTER TYPE (GFI)
 - ALL EXTERIOR RECEPTICALS SHALL BE WEATHERPROOF GROUND FAULT INTERRUPTER TYPE (WP/GFI)
- NOTE:
ELECTRICAL CONTR SHALL PREPARE "AS-BUILT" SHOP DWGS INDICATING ALL ELECTRICAL WORK, INCLUDING ANY CHANGES TO THE ELEC. PLAN, ADDS TO THE ELEC. PLAN RISER DIAGRAM, AS-BUILT PANEL SCHEDULE W/ ALL CKTS IDENTIFIED W/ CKT #, DESCRIPTION & BRKR. SERVICE ENT. & ALL UNDERGROUND WIRE LOCATIONS/ROUTING / DEPTH. RISER DIA. SHALL INCLUDE WIRE SIZES/TYPE & EQUIPMENT TYPE W/ RATINGS & LOADS.
CONTRACTOR SHALL PROVIDE 1 COPY OF AS-BUILT DWGS TO OWNER & 1 COPY TO THE PERMIT ISSUING AUTHORITY

REVISIONS SCHEDULE	
NOV. 2001 2010	FINAL
April 8th, 2019	PERMIT DRAWINGS

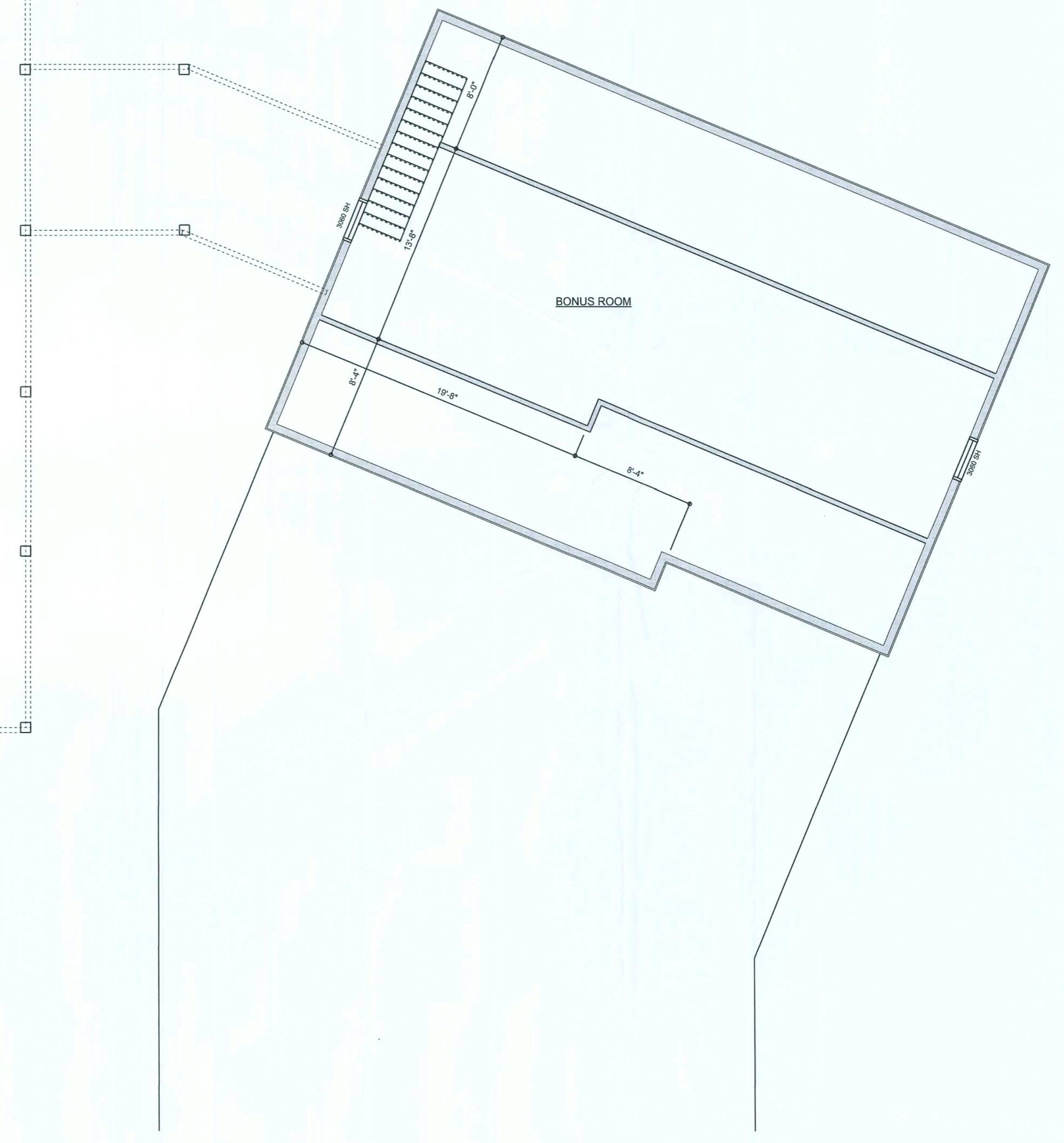
GLACKIN RESIDENCE
COLUMBIA COUNTY, FLORIDA
IC CONSTRUCTION, LLC
LAKE CITY, FL 32055

RIDGEPOINT DESIGN
818 WEST DUVAL STREET, LAKE CITY, FLORIDA 32055
P: 386-288-1188
E: RIDGEPOINTDESIGN@GMAIL.COM

SHEET NUMBER
A.4
OF 6 SHEETS



PROPOSED SECOND FLOOR PLAN
SCALE: 3/16" = 1'-0"

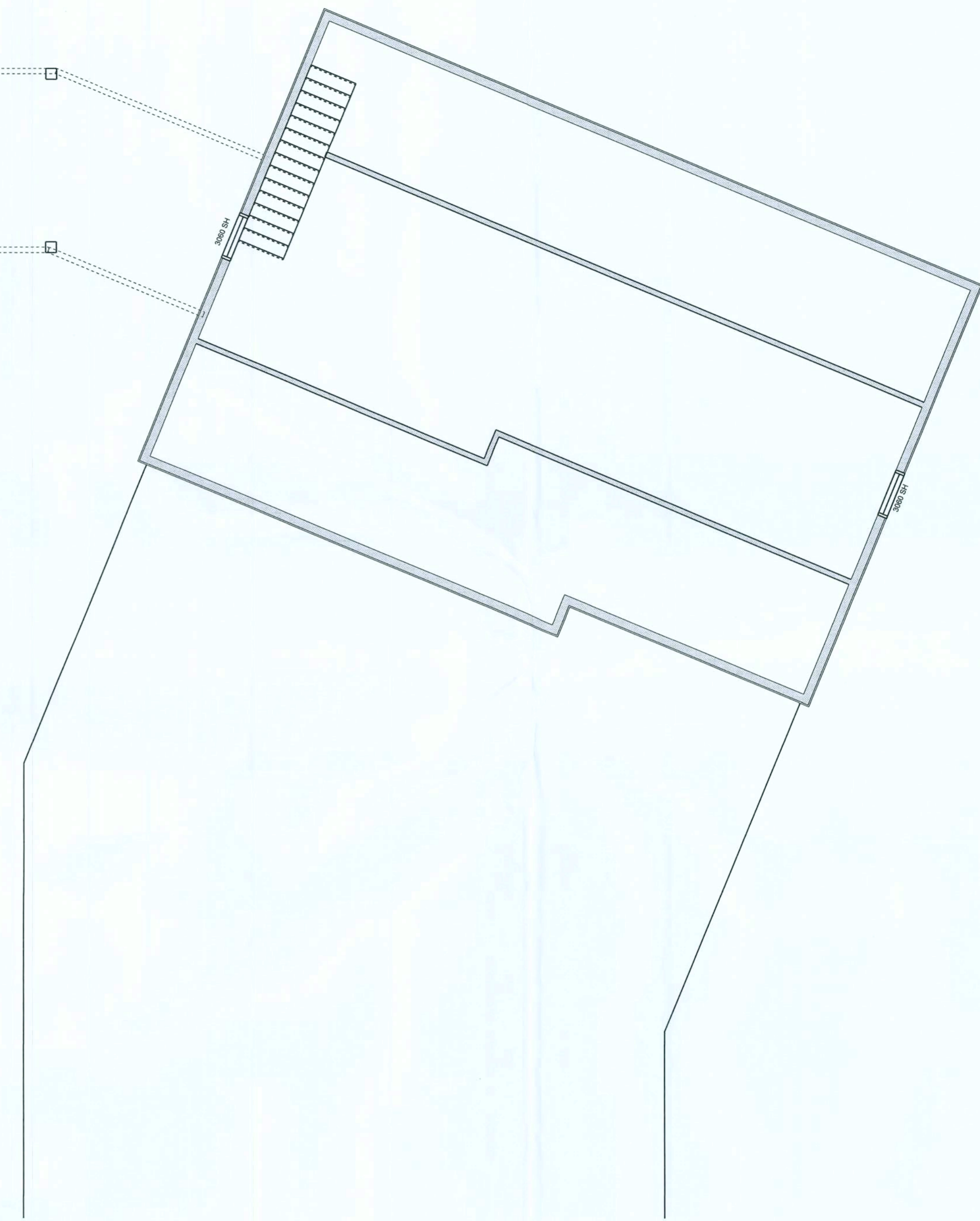
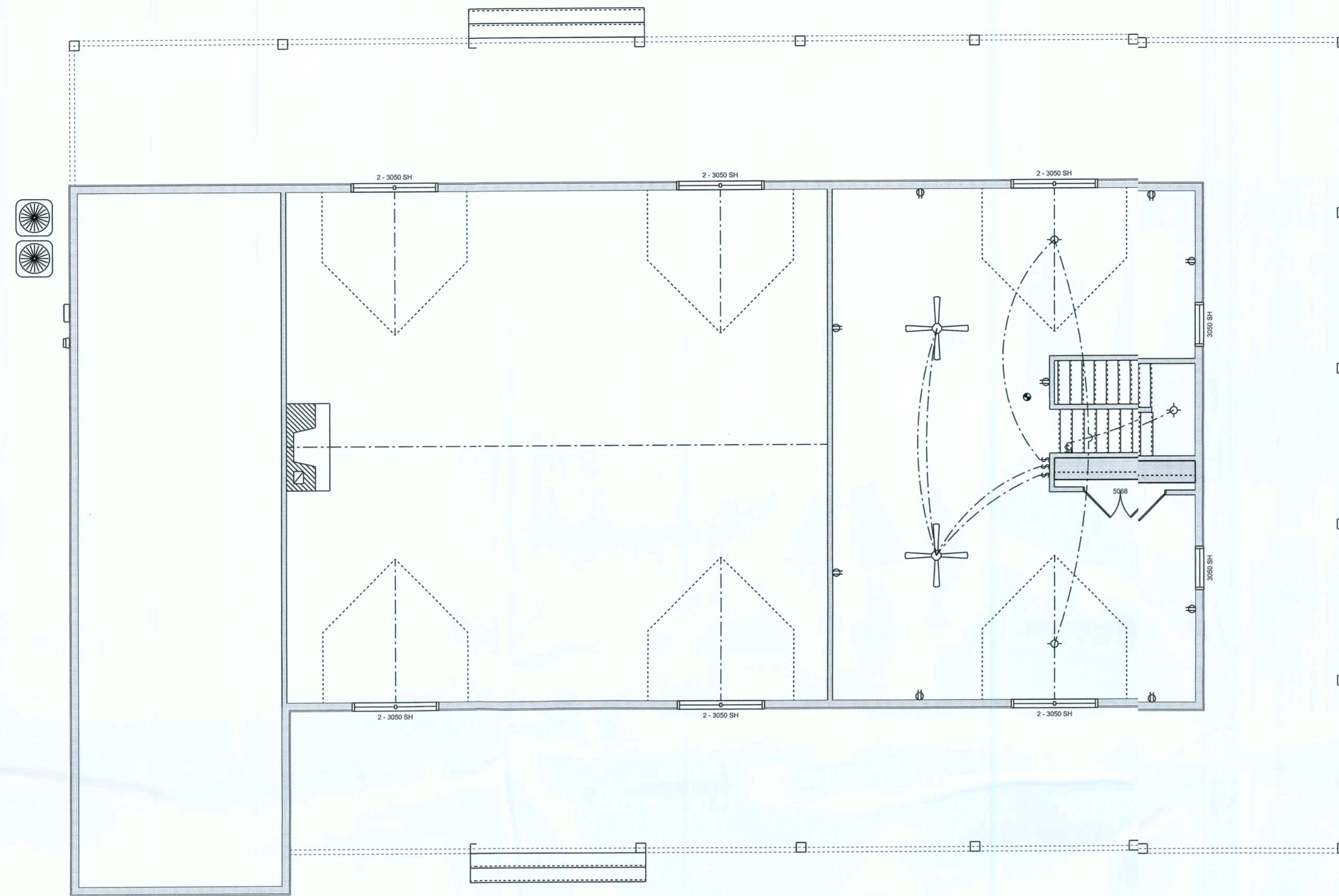


REVISIONS SCHEDULE	
Nov. 30th, 2018	PHO/FUSAL
April 8th, 2019	PERMIT DRAWINGS

CLACKIN RESIDENCE
COLUMBIA COUNTY, FLORIDA
IC CONSTRUCTION, LLC
LAKE CITY, FL 32055

RIDGEPOINT DESIGN
818 WEST DUVAL STREET, LAKE CITY, FLORIDA 32055
P: 386-288-1188
E: RIDGEPOINTDESIGN@GMAIL.COM

SHEET NUMBER
A.5
OF 6 SHEETS



SECOND FLOOR ELECTRIC
SCALE: 3/16" = 1'-0"

ELECTRICAL	COUNT	SYMBOL
CEILING FAN	2	
ELECTRIC METER	1	
OUTLET	9	
SMOKE DETECTOR	1	
STANDARD LIGHT	3	
SWITCH	3	
SWITCH 3 WAY	1	

ELECTRICAL PLAN NOTES:

INSTALLATION SHALL BE PER 2017 NATL. ELECTRIC CODE.
WIRE ALL APPLIANCES, HVAC UNITS AND OTHER EQUIPMENT PER MANUF. SPECIFICATIONS.

CONSULT WITH THE OWNER FOR THE NUMBER OF SEPARATE TELEPHONE LINES TO BE INSTALLED.

ALL SMOKE DETECTORS SHALL BE 120V W/ BATTERY BACKUP OF THE PHOTOELECTRIC TYPE, AND SHALL BE INTERLOCKED TOGETHER. INSTALL INSIDE AND NEAR ALL BEDROOMS.

TELEPHONE, TELEVISION AND OTHER LOW VOLTAGE DEVICES OR OUTLETS SHALL BE AS PER THE OWNER'S DIRECTIONS, & IN ACCORDANCE W/ APPLICABLE SECTIONS OF NEC LATEST EDITION.

ALL RECEPTICALS, NOT OTHERWISE NOTED, SHALL BE ARC FAULT INTERRUPTER TYPE, EXCEPT DEDICATED OUTLETS.

ALL RECEPTICALS IN WET AREAS SHALL BE GROUND FAULT INTERRUPTER TYPE (GFI).

ALL EXTERIOR RECEPTICALS SHALL BE WEATHERPROOF GROUND FAULT INTERRUPTER TYPE (WP/GFI).

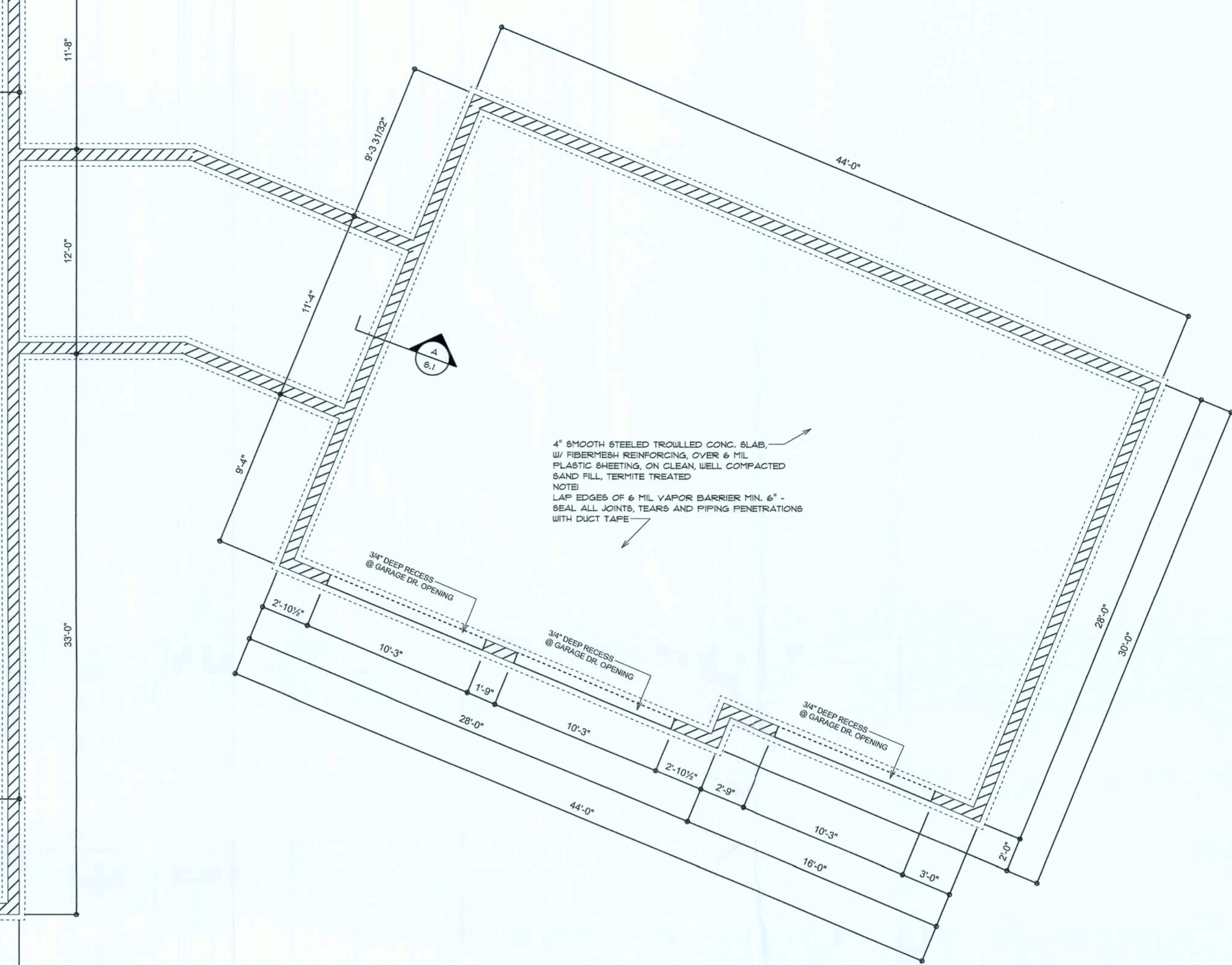
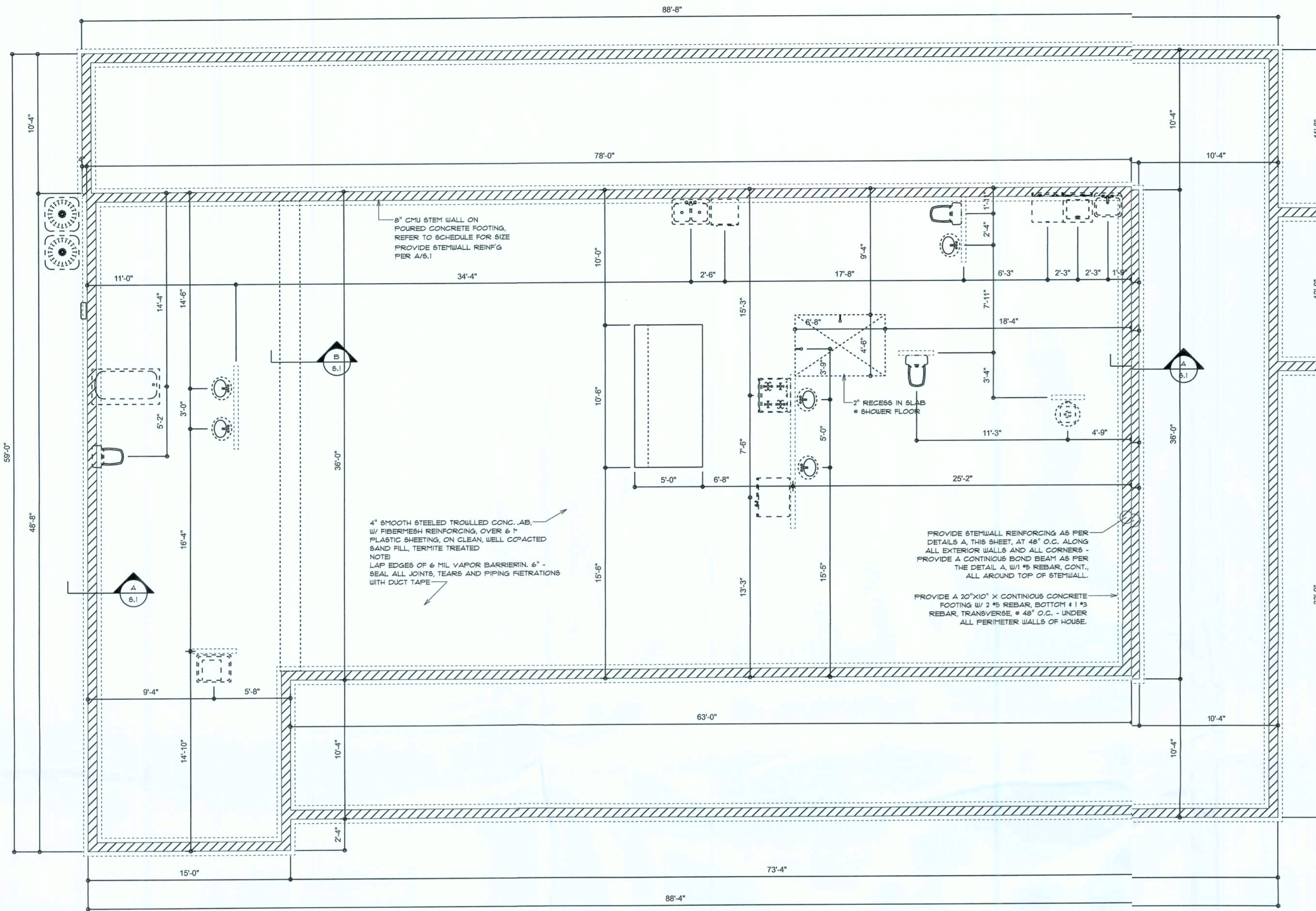
NOTE:
ELECTRICAL CONTRACTOR SHALL PREPARE "AS-BUILT" SHOP DWGS INDICATING ALL ELECTRICAL WORK, INCLUDING ANY CHANGES TO THE ELEC. PLAN, ADDS TO THE ELEC. PLAN, RISER DIAGRAM, AS-BUILT PANEL SCHEDULE W/ ALL CKTS IDENTIFIED W/ CKT No., DESCRIPTION & BRKR, SERVICE ENT. & ALL UNDERGROUND WIRE LOCATIONS/ROUTING / DEPTH, RISER DIA. SHALL INCLUDE WIRE SIZES/TYPES & EQUIPMENT TYPE W/ RATINGS & LOADS.
CONTRACTOR SHALL PROVIDE 1 COPY OF AS-BUILT DWGS TO OWNER & 1 COPY TO THE PERMIT ISSUING AUTHORITY.

REVISIONS SCHEDULE	
Nov. 09, 2010	PROVAL
April 8th, 2019	PERMIT DRAWINGS

GLACKIN RESIDENCE
COLUMBIA COUNTY, FLORIDA
IC CONSTRUCTION, LLC
LAKE CITY, FL 32055

RIDGEPOINT DESIGN
818 WEST DUAL STREET, LAKE CITY, FLORIDA 32055
P: 386-288-1188
E: RIDGEPOINTDESIGN@GMAIL.COM

SHEET NUMBER
A.6
OF 6 SHEETS



DIMENSIONED FOUNDATION PLAN
SCALE: 3/16" = 1'-0"

CONCRETE / MASONRY / METALS GENERAL NOTES:

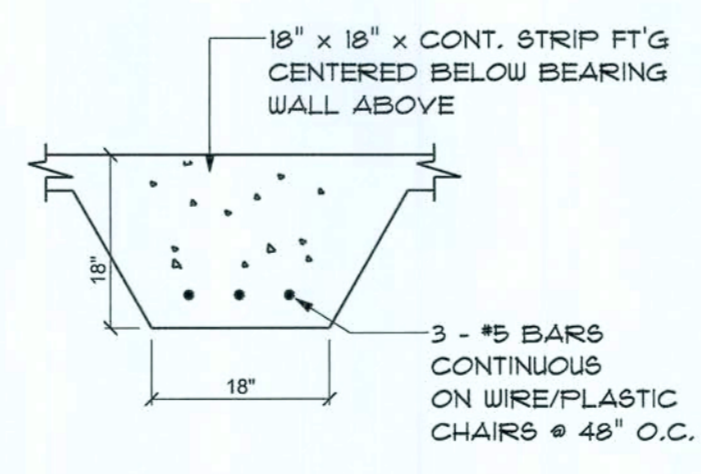
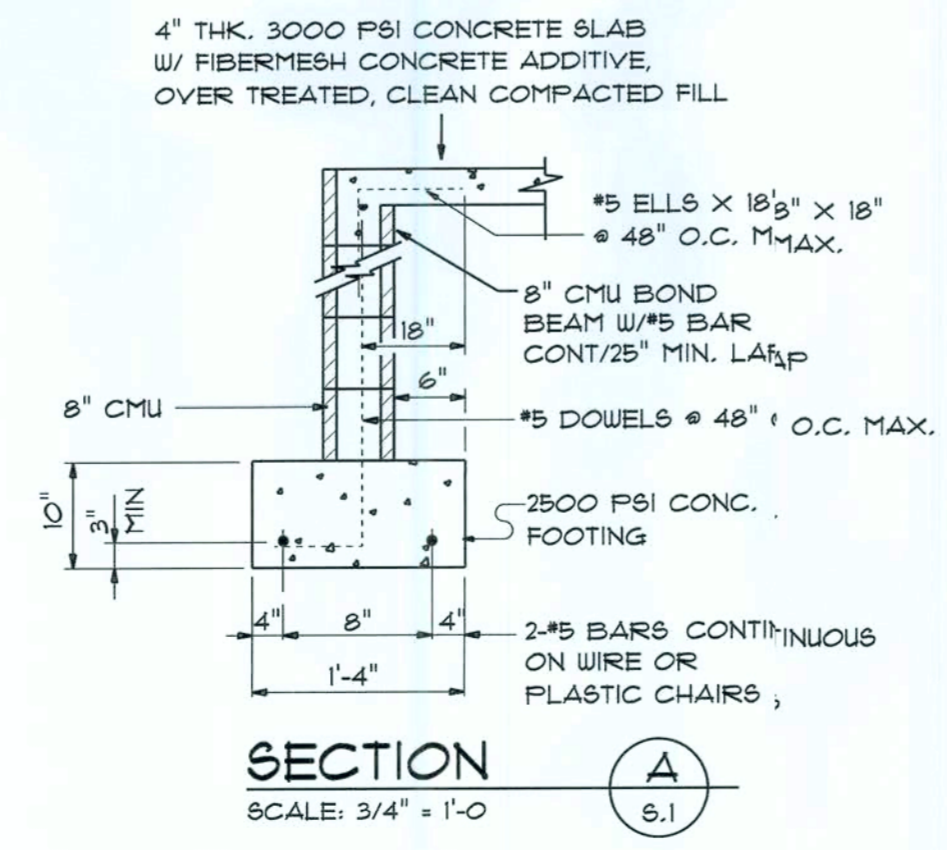
- DESIGN SOIL BEARING PRESSURE: 1500 PSF.
- EXPANSIVE SOILS: WHERE DIRECTED BY THE SOILS ENGINEER, SOIL AUGMENTATION PER THE SOILS ENGINEER'S SPECIFICATIONS SHALL BE IMPLEMENTED PRIOR TO PLACING ANY FOUNDATIONS - TESTS AS SPECIFIED SHALL BE PERFORMED TO DETERMINE THE SUITABILITY OF THE SUB-GRADE TO SUPPORT THE DESIGN LOADS.
- CLEAN SAND FILL OVER STRIPPED AND COMPACTED EXISTING GD. SHALL BE PLACED IN 12" LIFTS. BOTH SUB-SOIL AND FILL COMPACTION SHALL BE NOT LESS THAN 98% AS MEASURED BY A MODIFIED PROCTOR TEST AT THE RATE OF ONE TEST FOR EACH 100 SF OF BUILDING PAD AREA, OR FRACTION THEREOF, FOR EACH 12" LIFT.
- REINFORCING STEEL SHALL BE GRADE 60 AND MEET THE REQUIREMENTS OF ASTM A615, ALL BENDS SHALL BE MADE COLD.
- WELDED WIRE MESH SLAB REINFORCING SHALL MEET THE REQUIREMENTS OF ASTM A185 - MIN. YIELD STRESS = 85 KSI.
- CONCRETE SHALL BE STANDARD MIX FC + 3000 PSI FOR ALL FTGS, SLABS, COLUMNS AND BEAMS OR SHALL BE STANDARD PUMP MIX FC + 3000 PSI. STRENGTH SHALL BE ATTAINED WITHIN 28 DAYS OF PLACEMENT. MIXING, PLACING AND FINISHING SHALL BE AS PER ACI STANDARDS.
- CONCRETE BLOCK SHALL BE AS PER MANUFACTURER'S PRODUCT GUIDE FOR ASTM C-90 REQUIREMENTS WITH MEDIUM SURFACE FINISH - F_s = 1500 PSI.
- MORTAR SHALL BE TYPE "M" OR "N" FOR ALL MASONRY UNITS.
- STRUCTURAL STEEL SHALL CONFORM TO ASTM A36 STANDARDS FOR STRENGTH, BOLTS SHALL BE ASTM A307 / GRADE I OR A325, AS PER PLAN REQUIREMENTS.
- WELDS SHALL BE AS PER "AMERICAN WELDING SOCIETY" STANDARDS FOR STRUCTURAL STEEL APPLICATIONS.
- 2x4 P/T WOOD SILL, CONT. ALL AROUND, W/ 5/8" x 3" x 3/4" PLATE WASHERS WITH 2x4 FROM EACH CORNER, EA. SILL, 4 WITHIN 8'-0" FROM ALL WALL OPENINGS / ENDS - 1/2" x 4x8 W/ 2 #5 WASHERS ALONG EACH RUN @ 48" O.C. MAX. - ALL ANCHOR BOLTS SHALL HAVE A MINIMUM OF 8" EMBEDMENT INTO THE CONCRETE.

NOTE:
THE DESIGN WIND SPEED FOR THIS PROJECT IS 130 MPH PER FBC 1609 AND LOCAL JURISDICTION REQUIREMENTS.

NOTE:
ADDED F1 SHALL BE APPLIED IN 8" LIFTS - EA. LIFT SHALL BE COMPACTED TO 98% DRY COMPACTION PER THE "MODIFIED PROCTOR" METHOD.

NOTE:
PLUMBING CONTRACTOR SHALL PREPARE "AS-BUILT" SHOP DRAWINGS INDICATING ALL PLUMBING WORK, INCLUDING ALL PLUMBING LOCATIONS AND RISER DIAGRAM - CONTR. SHALL PROVIDE 1 COPY OF AS-BUILT DWGS TO OWNER AND 1 COPY TO THE PERMIT ISSUING AUTHORITY.

NOTE:
H.V.A.C. CONTRACTOR SHALL PREPARE "AS-BUILT" SHOP DRAWINGS INDICATING ALL H.V.A.C. WORK, INCLUDING ALL DUCTWORK, SIZES, LINES, EQUIPMENT ECH. 4 BALANCING REPORT CONTR. SHALL PROVIDE 1 COPY OF AS-BUILT DWGS TO OWNER 1 COPY TO THE PERMIT ISSUING AUTHORITY.



SECTION B
SCALE: not to scale

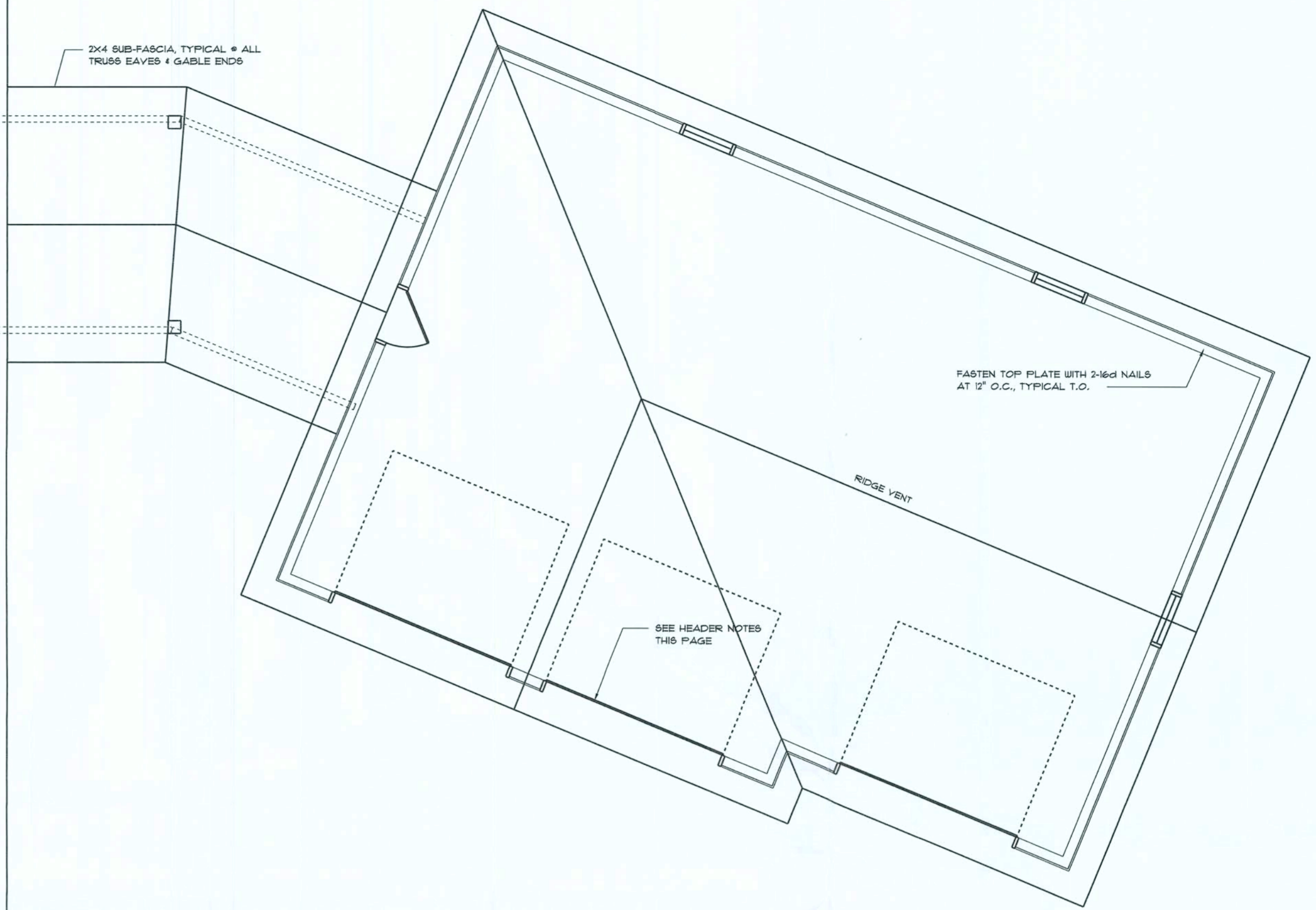
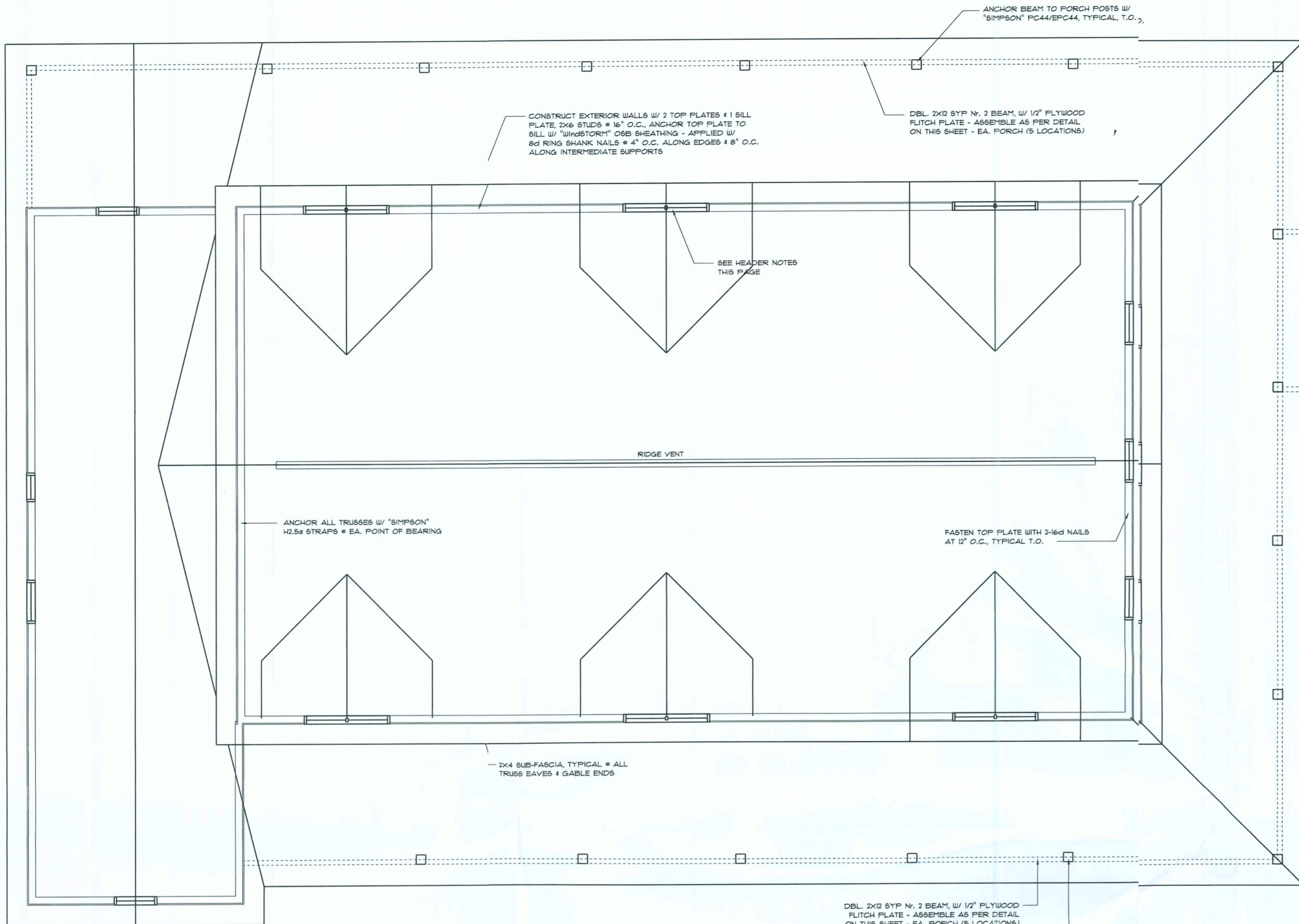
NOTE: ALL INTERIOR BEARING WALLS TO USE THIS FOOTING

REVISIONS
April 8th, 2019

GLACKIN RESIDENCE
COLUMBIA COUNTY, FLORIDA
IC CONSTRUCTION, LLC
LAKE CITY, FL

SHEET NUMBER
S.1
OF 4 SHEETS

AR0007005



ROOF FRAMING PLAN
SCALE: 3/16" = 1'-0"

NOTE:
THE DESIGN WIND SPEED FOR THIS PROJECT IS 130 MPH PER 2011 IRC 603 AND LOCAL JURISDICTION REQUIREMENTS

NOTE:
SHEATH ROOF W/ 1/2" CDX PLYWOOD PLACED W/ LONG DIMENSION PERPENDICULAR TO THE ROOF TRUSSES. SECURE TO FRAMING W/ 8d RING SHANK NAILS - AS PER DETAIL N ON SHEET A.1

NOTE:
ALL UPLIFT CONNECTORS SHALL BE FIELD ADJUSTED TO MATCH OR EXCEED THE DEVELOPED LOADS PER ENGINEERED TRUSS SHOP DRAWINGS

NOTE:
ALL PENETRATIONS OF THE TOP PLATE OF ALL LOAD BEARING WALLS SHALL BE SEALED WITH FIRE RETARDANT CAULKING, INCLUDING WIRING, PLUMBING OR OTHER SUCH PENETRATIONS. WALLS OVER 8'-0" TALL SHALL HAVE CONTINUOUS BLOCKING TO UPLIFT CAVITY HEIGHT TO 8'-0". PENETRATIONS THROUGH SUCH BLOCKING SHALL BE TREATED IN THE SAME MANNER AS TOP PLATES NOTED ABOVE

ROOF PLAN NOTES

- R-1 ALL ROOF PITCH 12 UNCL.
- R-2 ALL OVERHANDS UNLESS OTHERWISE NOTED
- R-3 PROVIDE ATTIC VENTILATION IN ACCORDANCE WITH CODES AND VENT DETAIL
- R-4 MOVE ALL VENT AND OTHER ROOF PENETRATIONS TO REAR

WOOD STRUCTURAL NOTES

1. TEMPORARY BRACING OF THE STRUCTURE DURING ERECTION, REQUIRED FOR SAFE AND STABLE CONSTRUCTION, SHALL BE THE SOLE RESPONSIBILITY OF THE CONTRACTOR SO ENGAGED. TEMPORARY & PERMANENT BRACING OF ROOF TRUSSES SHALL BE AS PER THE STANDARD GUIDELINES OF THE TRUSS PLATE INSTITUTE.
2. ALL TRUSSES SHALL BE DESIGNED BY A LICENSED PROFESSIONAL ENGINEER & SHALL BE SIGNED AND SEALED BY SAID TRUSS DESIGNER. SHALL INCLUDE PLACEMENT PLANS, TRUSS DETAILS, TRUSS TO TRUSS CONNECTIONS & THE STANDARD SPECIFICATIONS & RECOMMENDATIONS OF INSTALLATION OF THE TRUSS PLATE INSTITUTE.
3. WOOD STUDS IN EXTERIOR WALLS & INTERIOR BEARING WALLS SHALL BE NOT LESS THAN N.3 MEM-PK OR BETTER.
4. CONNECTIONS FOR WOOD FRAMING SHALL BE GALVANIZED METAL OR BLACK METAL AS MANUFACTURED OR AS CALLED FOR IN THE PLANS AND BE OF A DESIGN SUITABLE FOR THE LOADS AND USE INTENDED. REFER TO THE JOINT REINFORCEMENT SCHEDULE FOR PRINCIPLE CONNECTIONS.

GENERAL TRUSS NOTES:

1. TRUSSES SHALL BE DESIGNED BY A LICENSED ENGINEER, AND IN ACCORDANCE WITH THE REQUIREMENTS OF NATIONAL FOREST PRODUCTS ASSOCIATION MANUAL FOR "STRUSS RAY LUMBER AND ITS CONNECTIONS", LATEST EDITION, ALONG WITH THE TRUSS PLATE INSTITUTE SUGGESTED GUIDELINES FOR TEMPORARY AND PERMANENT BRACING, UNLOADING OF TRUSSES. TRUSS SHOP DRAWINGS SHALL INCLUDE TRUSS DESIGN PLACEMENT PLANS, DETAILS & TRUSS TO TRUSS CONNECTIONS.
2. TRUSS SHOP DRAWINGS SHALL BE SIGNED & SEALED BY THE DESIGNING ENGINEER.
3. FOLLOWING DEVELOPMENT TRUSS SHOP DRAWINGS, ADJUSTMENTS TO THE ANCHOR REQUIREMENTS MAY BE REQUIRED DEPENDING ON THE ENGINEERED GRAVITY AND WIND UPLIFT REQUIREMENTS OF TRUSSES OR ORDERS. THE CONTRACTOR SHALL MAKE AVAILABLE A COMPLETE SET OF TRUSS SHOP DRAWINGS TO THE ARCHITECT FOR THE PURPOSE OF REVIEW OF LOADS IMPOSED ON THE BALANCE OF THE STRUCTURE. ANY SUCH REQUIRED CHANGE SHALL BE INCORPORATED INTO THE CONSTRUCTION OF THIS STRUCTURE.

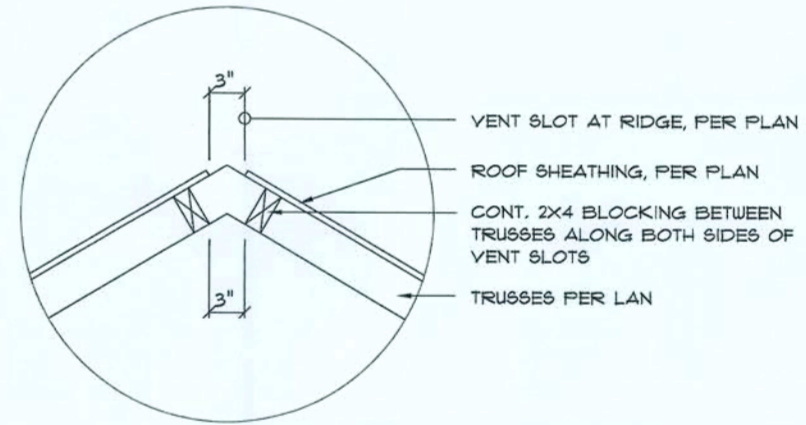
STANDARD HEADER SCHEDULE

- 0'-0" UP TO 6'-0" OPENINGS**
DOUBLE 2x6 NO.2 SOUTHERN PINE WITH 1/2" OSB SOLID CONTINUOUS SPACER GLUED AND NAILED WITH 10d x 0.9d x 3" NAILS IN 2 ROWS @ 12" O.C. STAGGERED EACH SIDE WITH 1 - BIRPSON H25AS TOP AND 1 - BIRPSON SP18R BOTTOM EACH SIDE OF OPENING WITH 1 - HEADER STUD AND 1 FULL HEIGHT STUD EACH SIDE OF OPENING
- 6'-0" UP TO 9'-0" OPENINGS**
DOUBLE 2x10 NO.2 SOUTHERN PINE WITH 1/2" OSB SOLID CONTINUOUS SPACER GLUED AND NAILED WITH 10d x 0.9d x 3" NAILS IN 2 ROWS @ 12" O.C. STAGGERED EACH SIDE WITH 1 - BIRPSON H25AS TOP AND 2 - BIRPSON SP18R BOTTOM EACH SIDE OF OPENING WITH 1 - HEADER STUD AND 2 FULL HEIGHT STUDS EACH SIDE OF OPENING
- 9'-0" UP TO 16'-0" OPENINGS**
DOUBLE 2x10 NO.2 SOUTHERN PINE WITH 1/2" OSB SOLID CONTINUOUS SPACER GLUED AND NAILED WITH 10d x 0.9d x 3" NAILS IN 2 ROWS @ 12" O.C. STAGGERED EACH SIDE WITH 2 - BIRPSON H25AS EACH SIDE OF OPENING WITH 2 - HEADER STUDS AND 3 FULL HEIGHT STUDS EACH SIDE OF OPENING
- 16'-0" GARAGE DOOR OPENING**
2 PLY 1x4 x 11 1/8" 2.0E MICROLAM LVL HEADER GLUED AND NAILED WITH 10d x 0.9d x 3" NAILS IN 2 ROWS @ 12" O.C. STAGGERED EACH SIDE WITH 3 - BIRPSON H25AS EACH SIDE OF OPENING WITH 2 - HEADER STUDS AND 3 FULL HEIGHT STUDS EACH SIDE OF OPENING

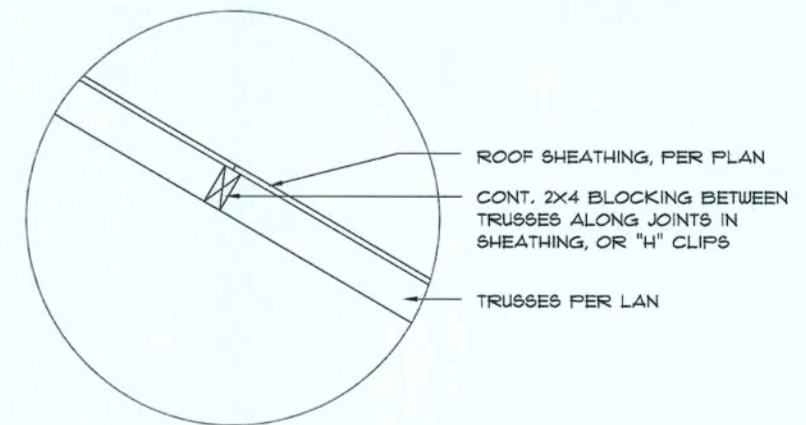
SHOP DRAW COORDINATION: TRUSS ANCHOR STRAPS AS INDICATED IN THE CONSTRUCTION DOCUMENTS ARE SUGGESTED STRAPS AND THAT THE TRUSS ENGINEERED SHOP DRAWING LOADS TAKE PRECEDENCE OVER THAT INDICATED IN THE CONSTRUCTION DOCUMENTS. THE UPLIFT LOADS INDICATED FOR EACH TRUSS IN THE ENGINEERED TRUSS SHOP DRAWINGS MAY BE MATCHED TO STANDARD PRODUCT UPLIFT RATINGS FOR COMPATIBLE UPLIFT CONNECTIONS, AND THAT THE PRODUCTS THAT PROVIDE EQUAL OR GREATER UPLIFT RESISTANCE FOR THE LISTED LOADS MAY BE USED IN LIEU OF THOSE INDICATED IN THE CONSTRUCTION DOCUMENTS OR AS APPROVED BY THE BUILDING OFFICIAL.

THE CONTRACTOR SHALL COORDINATE THE TRUSS TO TRUSS ANCHOR REQUIREMENTS WITH THE TRUSS ENGINEERING SHOP DRAWINGS. SOME OF THE TRUSS TO TRUSS CONNECTIONS WILL REQUIRE ANCHOR STRAPS IN ADDITION TO TYPICAL NAILING. ANCHOR DEVICES SHALL BE REQUIRED FOR ALL JOINTS WITH AN UPLIFT OR GRAVITY LOAD OF 100 LBS OR GREATER.

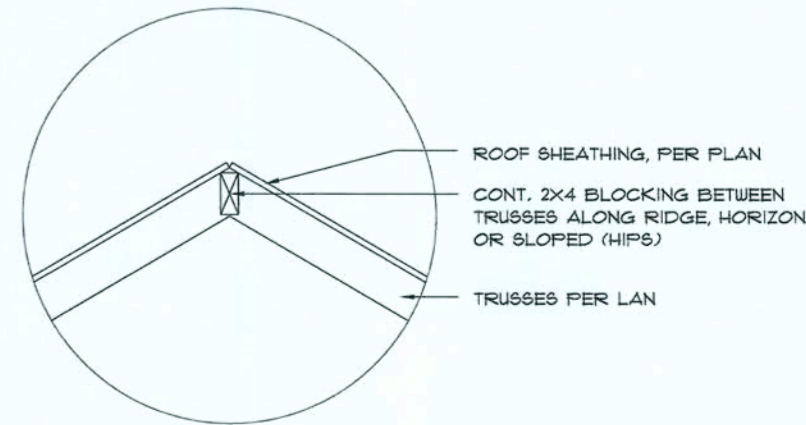
TRUSSES BEARING ON INTERIOR PARTITIONS WHERE UPLIFT LOADS ARE PRESENT SHALL REQUIRE ANCHORS OF EQUAL OR GREATER LOAD CAPACITY THAN THAT INDICATED BY THE TRUSS SHOP DRAWINGS. THE UPLIFT ANCHOR SYSTEM SHALL BE CONTINUOUS TO THE FOUNDATION.



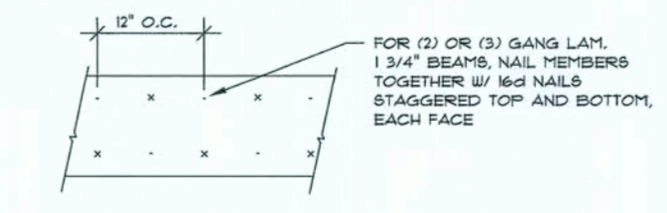
Vent DETAIL
SCALE: 1" = 1'-0" A1



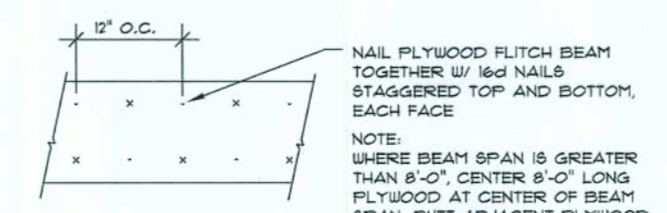
Joint DETAIL
SCALE: 1" = 1'-0" A2



Ridge DETAIL
SCALE: 1" = 1'-0" A3



MULTIPLE GANG LAM. DETAIL
NOT TO SCALE



PLYWOOD FLITCH BEAM DETAIL
NOT TO SCALE

B/U Beam DETAILS
SCALE: NONE B

REVISIONS
April 8th, 2019

GLACKLIN RESIDENCE
COLUMBIA COUNTY, FLORIDA
IC CONSTRUCTION, LLC
LAKE CITY, FL

NICHOLAS PAUL GEISLER ARCHITECT
1786 NW Brown Rd., #2025
LAKE CITY, FL 32809
352.985.9021

SHEET NUMBER
S.2
OF 4 SHEETS

AR0007005
09/28/19

FLORIDA BUILDING CODE	
Compliance Summary	
TYPE OF CONSTRUCTION	
Roof:	Gable Construction, Wood Truss @ 24" O.C.
Walls:	2x6 Wood Studs @ 16" O.C.
Floor:	4" Thk. Concrete Slab w/ Fiberglass Concrete Additive
Foundation:	Continuous Footer/8ft Wall
ROOF DECKING	
Material:	1/2" CD Plywood or 7/16" O.S.B.
Sheet Size:	48"x96" Sheets Perpendicular to Roof Framing
Fasteners:	8d Common Nails per schedule on sheet A.1
SHEAR WALLS	
Material:	1/2" CD Plywood or 7/16" O.S.B.
Sheet Size:	48"x96" Sheets Placed Vertical
Fasteners:	8d Common Nails @ 4" O.C. Edges & 8" O.C. Interior
Dragstrut:	Double Top Plate (8,F.) w/ 16d Nails @ 12" O.C.
Wall Studs:	2x4 Studs @ 16" O.C.
HURRICANE UPLIFT CONNECTORS	
Truss Anchors:	SIMPSON H2.5a or DWUC15600 @ Ea. Truss End (Typ. U.O.N.)
Wall Tension:	Wall Sheathing Nail(s) is Adequate - 8d @ 4" O.C. Top & Bot.
Anchor Bolts:	1/2" A307 Bolts @ 3" O.C. - 1st Bolt 12"-16" from corner
Corner Hold-down Devices:	(1) H-8 @ each corner
Porch Column Base Connector:	Simpson ABU66 @ each column
Porch Column to Beam Connector:	Simpson EPC66/PC66 @ each column
FOOTINGS AND FOUNDATIONS	
Footings:	20"x10" x CONT., CONCRETE FOOTING w/ 2 #5 REBAR.

STRUCTURAL DESIGN CRITERIA:

1. THE DESIGN COMPLIES WITH THE REQUIREMENTS OF THE 2011 FLORIDA BUILDING CODE - SECTION 1609 AND OTHER REFERENCED CODES AND SPECIFICATIONS. ALL CODES AND SPECIFICATIONS SHALL BE LATEST EDITION AT TIME OF PERMIT.

2. WIND LOAD CRITERIA: RISK CATEGORY: EXPOSURE: "B"

BASED ON ASHRAE 90-1, 2011 FBC 1609-A WIND VELOCITY: V_{ULT} = 130 MPH
V_{ASD} = 101 MPH

3. ROOF DESIGN LOADS:
SUPERIMPOSED DEAD LOADS: 20 PSF
SUPERIMPOSED LIVE LOADS: 20 PSF

4. FLOOR DESIGN LOADS:
SUPERIMPOSED DEAD LOADS: 25 PSF
SUPERIMPOSED LIVE LOADS:
RESIDENTIAL 40 PSF
BALCONIES 60 PSF

5. WIND NET UPLIFT: ARE AS INDICATED & PLANS

TERMITE PROTECTION NOTE:

SOIL CHEMICAL BARRIER METHOD:

- A PERMANENT SIGN WHICH IDENTIFIES THE TERMITE TREATMENT PROVIDER AND NEED FOR REINSPECTION AND TREATMENT CONTRACT RENEWAL SHALL BE PROVIDED. THE SIGN SHALL BE POS'D NEAR THE WATER HEATER OR ELECTRIC PANEL. FBC 104.2.6
- CONDENSATE AND ROOF DOWNSPOUT SHALL DISCHARGE AT LEAST 1'-0" AWAY FROM BUILDING SIDE WALLS. FBC 903.4.4
- IRRIGATION/SPRINKLER SYSTEMS INCLUDING ALL RISERS AND SPRAY HEADS SHALL NOT BE INSTALLED WITHIN 0' FROM BUILDING SIDE WALLS. FBC 1903.4.4
- TO PROVIDE FOR INSPECTION FOR TERMITE INFESTATION, BETWEEN WALL COVERINGS AND FINAL EARTH GRADE SHALL NOT BE LESS THAN 6". EXCEPTION: PAINT AND DECORATIVE CEMENTIOUS FINISH LESS THAN 5/8" THICK ADHERED DIRECTLY TO THE FOUNDATION WALL. FBC 1403.1.6
- INITIAL TREATMENT SHALL BE DONE AFTER ALL EXCAVATION AND BACKFILL IS COMPLETE. FBC 1816.1.1
- SOIL DISTURBED AFTER THE INITIAL TREATMENT SHALL BE RETREATED INCLUDING SPACES BOXED OR FORMED FBC 1816.1.2
- BOXED AREAS IN CONCRETE FLOOR OR SUBSEQUENT INSTALLATION OF TRAPS, ETC., SHALL BE MADE WITH PERMANENT METAL OR PLASTIC FORMS. PERMANENT FORMS MUST BE ORA SIZE AND DEPTH THAT WILL ELIMINATE THE DISTURBANCE OF SOIL AFTER THE INITIAL TREATMENT. FBC 1816.1.3
- MINIMUM 6 MIL VAPOR RETARDER MUST BE INSTALLED TO PROTECT AGAINST RAINFALL DILUTION. IF RAINFALL OCCURS BEFORE VAPOR RETARDER PLACEMENT, RETREATMENT IS REQUIRED. FBC 1816.1.4
- CONCRETE OVERPOUR AND MORTAR LONG THE FOUNDATION PERIMETER MUST BE REMOVED BEFORE EXTERIOR SOIL TREATMENT. FBC 1816.1.5
- SOIL TREATMENT MUST BE APPLIED UNDER ALL EXTERIOR CONCRETE OR GRADE WITHIN 1'-0" OF THE STRUCTURE SIDEWALLS. FBC 1816.1.6
- AN EXTERIOR VERTICAL CHEMICAL BARRIER MUST BE INSTALLED AFTER CONSTRUCTION IS COMPLETE INCLUDING LANDSCAPING AND IRRIGATION. ANY SOIL DISTURBED AFTER THE VERT. BARRIER IS APPLIED, SHALL BE RETREATED. FBC 1816.1.6
- ALL BUILDINGS ARE REQUIRED TO HAVE PER-CONSTRUCTION TREATMENT. FBC 1816.1.7
- A CERTIFICATE OF COMPLIANCE MUST BE ISSUED TO THE BUILDING DEPARTMENT BY A LICENSED PEST CONTROL COMPANY BEFORE A CERTIFICATE OF OCCUPANCY WILL BE ISSUED. THE CERTIFICATE OF COMPLIANCE SHALL STATE: "THE BUILDING HAS RECEIVED A COMPLETE TREATMENT FOR THE PREVENTION OF SUBTERRANEAN TERMITES. THE TREATMENT IS IN ACCORDANCE WITH THE RULES AND LAWS OF THE FLORIDA DEPARTMENT OF AGRICULTURE AND CONSUMER SERVICES". FBC 1816.1.7
- AFTER ALL WORK IS COMPLETED, LOOSE WOOD AND FILL MUST BE REMOVED FROM BELOW AND WITHIN 1'-0" OF THE BLDG. THIS INCLUDES ALL GRADE STAKES, TUB TRAP BOXES, FORMS, SHORING OR OTHER CELLULOSE CONTAINING MATERIAL. FBC 2303.1.3
- NO WOOD, VEGETATION, STUMPS, CARBOARD, TRASH, ETC., SHALL BE BURIED WITHIN 15'-0" OF ANY BUILDING OR PROPOSED BUILDING. FBC 2303.1.4

FRAMING ANCHOR SCHEDULE

APPLICATION	MANUF'R/MODEL	CAP.
TRUSS TO WALL:	SIMPSON H2.5a or DWUC15600 screws	600*
GIRDER TRUSS TO POST/HEADER:	SIMPSON LGT, W/ 28 - 16d NAILS	1785*
HEADER TO KING STUD(S):	SIMPSON ST2	1310*
PLATE TO STUD:	NO CONNECTION REQ. WHEN USING WINDSTORM BOARD	
STUD TO SILL:	NO CONNECTION REQ. WHEN USING WINDSTORM BOARD	
PORCH BEAM TO POST:	SIMPSON PC66/EPC66	1700*
PORCH POST TO FND.:	SIMPSON ABU66	2200*
MISC. JOINTS	SIMPSON A34	315*/240*

NOTE:
ALL ANCHORS SHALL BE SECURED W/ NAILS AS PRESCRIBED BY THE MANUFACTURER FOR MAXIMUM JOINT STRENGTH, UNLESS NOTED OTHERWISE.

NOTE:
REFER TO THE INCLUDED STRUCTURAL DETAILS FOR ADDITIONAL ANCHORS/ JOINT REINFORCEMENT AND FASTENERS.

NOTE:
ALL UNLISTED JOINTS IN THE LOAD PATH SHALL BE REINFORCED WITH SIMPSON A34 FRAMING ANCHORS, TYPICAL T.O.

NOTE:
"SEMCO" PRODUCT APPROVAL:
MIAMI/DADE COUNTY REPORT #95-0818.15

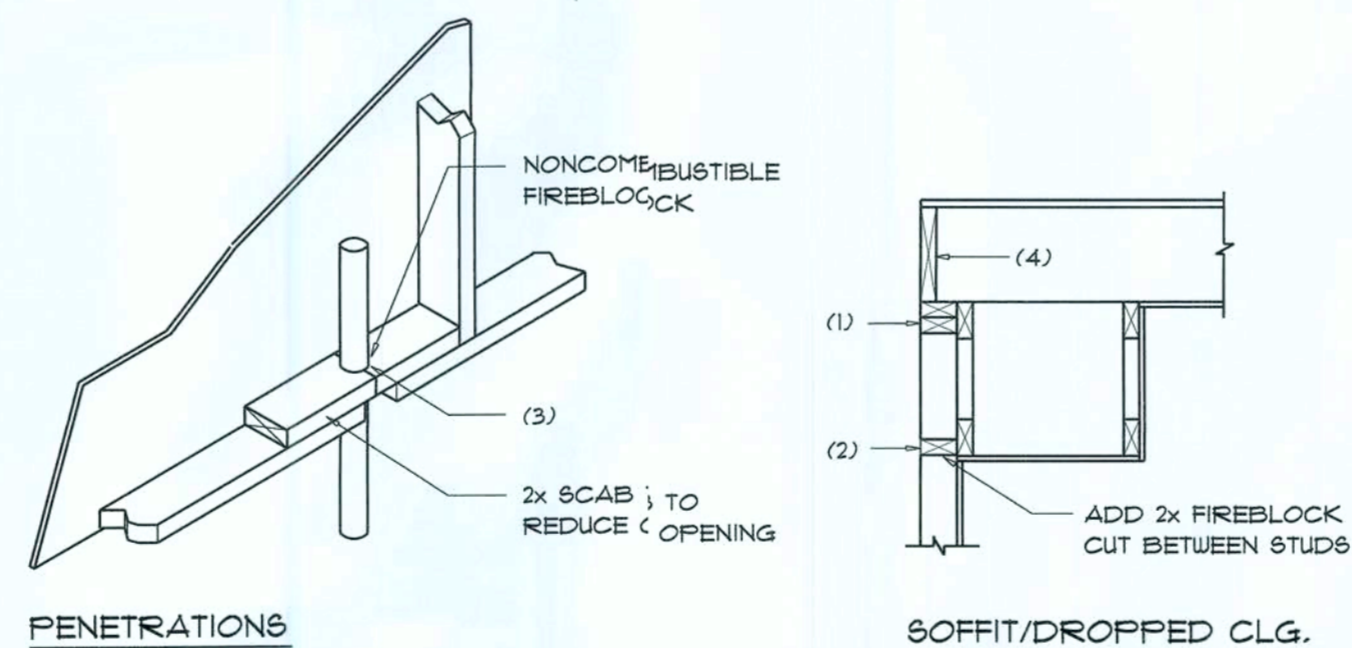
NOTE:
"SIMPSON" PRODUCT APPROVALS:
MIAMI/DADE COUNTY REPORT #91-0107.05B, #96-1226.11, #99-0623.04
SBCCI NER-443, NER-393

BUILDING COMPONENTS & CLADDING LOADS
MEAN BUILDING HEIGHT = 30.0', EXPOSURE "B"
ROOF ANGLE T TO 2T

WIND DIRECTION	WIND SPEED (MPH)	WIND PRESSURE (PSF)		WIND UPLIFT (PSF)	
		WINDWARD WALL	LEEWARD WALL	WINDWARD ROOF	LEEWARD ROOF
10	10	12.0 / -19.9	14.9 / -23.7	11.9 / -21.8	20.3 / -32.3
	20	11.4 / -19.4	13.6 / -23.0	16.0 / -21.0	19.5 / -31.4
	30	10.0 / -18.6	11.9 / -22.2	13.9 / -26.0	16.1 / -30.2
20	10	12.5 / -34.7	14.9 / -41.3	11.9 / -48.4	20.3 / -36.2
	20	11.4 / -31.9	13.6 / -38.0	16.0 / -44.6	19.5 / -34.4
	30	10.0 / -28.2	11.9 / -33.6	13.9 / -39.4	16.1 / -49.7
30	10	12.5 / -51.3	14.9 / -61.0	11.9 / -71.6	20.3 / -83.1
	20	11.4 / -47.9	13.6 / -57.1	16.0 / -67.0	19.5 / -77.7
	30	10.0 / -43.5	11.9 / -51.8	13.9 / -60.8	16.1 / -70.5
40	10	21.8 / -23.6	25.9 / -34.7	30.4 / -33.0	35.3 / -38.2
	20	20.8 / -22.6	24.7 / -26.9	29.0 / -31.6	33.7 / -36.7
	30	19.5 / -21.3	23.2 / -29.4	27.2 / -29.8	31.6 / -34.6
50	10	21.8 / -29.1	25.9 / -34.7	30.4 / -40.7	35.3 / -47.2
	20	20.8 / -27.2	24.7 / -32.4	29.0 / -38.0	33.7 / -44.0
	30	19.5 / -24.6	23.2 / -29.3	27.2 / -34.3	31.6 / -39.8

HEIGHT & EXPOSURE ADJUSTMENT COEFFICIENTS FOR BUILDING COMPONENTS & CLADDING

BLDG HEIGHT	EXPOSURE "B"	EXPOSURE "C"	EXPOSURE "D"
15	1.00	1.21	1.47
20	1.00	1.29	1.59
25	1.00	1.39	1.61
30	1.00	1.40	1.66



PENETRATIONS

SOFFIT/DROPPED CLG.

FIREBLOCKING NOTES:

FIREBLOCKING SHALL BE INSTALLED IN WOOD FRAME CONSTRUCTION IN THE FOLLOWING LOCATIONS:

- IN CONCEALED SPACES OF STUD WALLS AND PARTITIONS INCLUDING FURRED SPACES AT CEILING AND FLOOR LEVELS.
- AT ALL INTERCONNECTIONS BETWEEN CONCEALED VERTICAL AND HORIZONTAL SPACES SUCH AS OCCUR AT SOFFITS, DROPPED CEILING, COVE CEILING, ETC.
- AT OPENINGS AROUND VENTS, PIPES, DUCTS, CHIMNEYS AND FIREPLACES AT CEILING AND FLOOR LEVELS WITH "PYROFRAN" MULTIFLEX SEALANT
- AT ALL INTERCONNECTIONS BETWEEN CONCEALED VERTICAL STUD WALL OR PARTITION SPACES AND CONCEALED SPACES CREATED BY AN ASSEMBLY OF FLOOR JOISTS, FIREBLOCKING SHALL BE PROVIDED FOR THE FULL DEPTH OF THE JOISTS AT THE ENDS AND OVER THE SUPPORTS.

Fire Stopping DETAILS

SCALE: NONE



General Roofing NOTES:

DECK REQUIREMENTS:
ASPHALT SHINGLES SHALL BE FASTENED TO SOLIDLY SHEATHED DECKS.

SLOPE:
ASPHALT SHINGLES SHALL BE USED ONLY ON ROOF SLOPES OF 2:12 OR GREATER. FOR ROOF SLOPES FROM 2:12 TO 4:12, DBL. UNDERLAYMENT IS REQUIRED.

UNDERLAYMENT:
UNLESS OTHERWISE NOTED, UNDERLAYMENT SHALL CONFORM W/ ASTM D 226, TYPE I, OR ASTM D 4869, TYPE I.

SELF-ADHERING POLYMER MODIFIED BITUMEN SHEET:
SELF ADHERING POLYMER MODIFIED BITUMEN SHALL COMPLY W/ ASTM D 1970.

ASPHALT SHINGLES:
ASPHALT SHINGLES SHALL HAVE SELF SEAL STRIPS OR BE INTERLOCKING, AND COMPLY WITH ASTM D 225 OR ASTM D 3462.

FASTENERS:
FASTENERS FOR ASPHALT SHINGLES SHALL BE GALVANIZED, STAINLESS STEEL, ALUMINUM OR COPPER ROOFING NAILS, MINIMUM 12 GAUGE SHANK WITH A MINIMUM 3/8 INCH DIAMETER HEAD, OF A LENGTH TO PENETRATE THROUGH THE ROOFING MATERIAL AND A MINIMUM 3/4" INTO THE ROOF SHEATHING. WHERE THE SHEATHING IS LESS THAN 3/4" THICK, THE NAILS SHALL PENETRATE THROUGH THE SHEATHING.

ATTACHMENT:
ASPHALT SHINGLES SHALL BE SECURED TO THE ROOF WITH NOT LESS THAN FOUR FASTENERS PER STRIP SHINGLE OR TWO FASTENERS PER INDIVIDUAL SHINGLE. WHERE ROOFS LOCATED IN BASIC WIND SPEED OF 110 MPH OR GREATER, SPECIAL METHODS OF FASTENING ARE REQUIRED. UNLESS OTHERWISE NOTED, ATTACHMENT OF ASPHALT SHINGLES SHALL CONFORM WITH ASTM D 3161 OR M-DC FA 107-85.

UNDERLAYMENT APPLICATION:
FOR ROOF SLOPES FROM 2:12 TO 4:12, UNDERLAYMENT SHALL BE A MINIMUM OF TWO LAYERS APPLIED AS FOLLOWS:
1. STARTING AT THE EAVE, A 19 INCH STRIP OF UNDERLAYMENT SHALL BE APPLIED PARALLEL WITH THE EAVE AND FASTENED SUFFICIENTLY TO STAY IN PLACE.

2. STARTING AT THE EAVE, 36 INCH WIDE STRIPS OF UNDERLAYMENT FELT SHALL BE APPLIED OVERLAPPING SUCCESSIVE SHEETS 19 INCHES AND FASTENED SUFFICIENTLY TO STAY IN PLACE.

FOR ROOF SLOPES 4:12 AND GREATER, UNDERLAYMENT SHALL BE A MINIMUM OF ONE LAYER OF UNDERLAYMENT FELT APPLIED AS FOLLOWS:
STARTING AT THE EAVE, UNDERLAYMENT SHALL BE APPLIED SHINGLE FASHION PARALLEL TO THE EAVE, LAPPED 2 INCHES, AND FASTENED SUFFICIENTLY TO STAY IN PLACE.

BASE AND CAP FLASHINGS:
BASE AND CAP FLASHING SHALL BE INSTALLED IN ACCORDANCE W/ MFGR'S INSTALLATION INSTRUCTIONS. BASE FLASHING SHALL BE OF EITHER CORROSION RESISTANT METAL OF MINIMUM NOMINAL THICKNESS 0.019 INCH OR MINERAL SURFACE ROLL ROOFING WEIGHING A MINIMUM OF 71 LBS PER 100 SQUARE FEET. CAP FLASHING SHALL BE CORROSION RESISTANT METAL OF MINIMUM NOMINAL THICKNESS OF 0.019 INCH.

VALLEYS:
VALLEY LININGS SHALL BE INSTALLED IN ACCORDANCE W/ MANUFACTURER'S INSTALLATION INSTRUCTIONS BEFORE APPLYING ASPHALT SHINGLES. VALLEY LININGS OF THE FOLLOWING TYPES SHALL BE PERMITTED.

- FOR OPEN VALLEYS LINED WITH METAL, THE VALLEY LINING SHALL BE AT LEAST 18" WIDE AND OF ANY OF THE CORROSION RESISTANT METALS IN FBC TABLE 1507.3.9.2.
- FOR OPEN VALLEYS, VALLEY LINING OF TWO PLYS OF MINERAL SURFACE ROLL ROOFING SHALL BE PERMITTED. THE BOTTOM LAYER SHALL BE 18 INCHES AND THE TOP LAYER A MINIMUM OF 36 INCHES WIDE.
- FOR CLOSED VALLEYS VALLEY LINING SHALL BE ONE OF THE FOLLOWING:
1. BOTH TYPES 1 AND 2 ABOVE, COMBINED.
2. ONE PLY OF SMOOTH ROLL ROOFING AT LEAST 36 INCHES WIDE AND COMPLYING WITH ASTM D 224.
3. SPECIALTY UNDERLAYMENT AT LEAST 36 INCHES WIDE AND COMPLYING WITH ASTM D 1970.

NOTE !!!
ROOF SHINGLES SHALL BE AS MANUFACTURED BY "TAMKO ROOFING PRODUCTS" OF THE FOLLOWING MODELS:

- GLASS-SEAL AR
- ELITE GLASS-SEAL AR
- HERITAGE 30 AR
- HERITAGE 40 AR
- HERITAGE 50 AR

THESE SHINGLES MEET THE REQUIREMENTS OF ASTM D-3161 TYPE I, MODIFIED TO 180 MPH WINDS & FBC TAB 100, USING 4 NAILS/SHINGLE

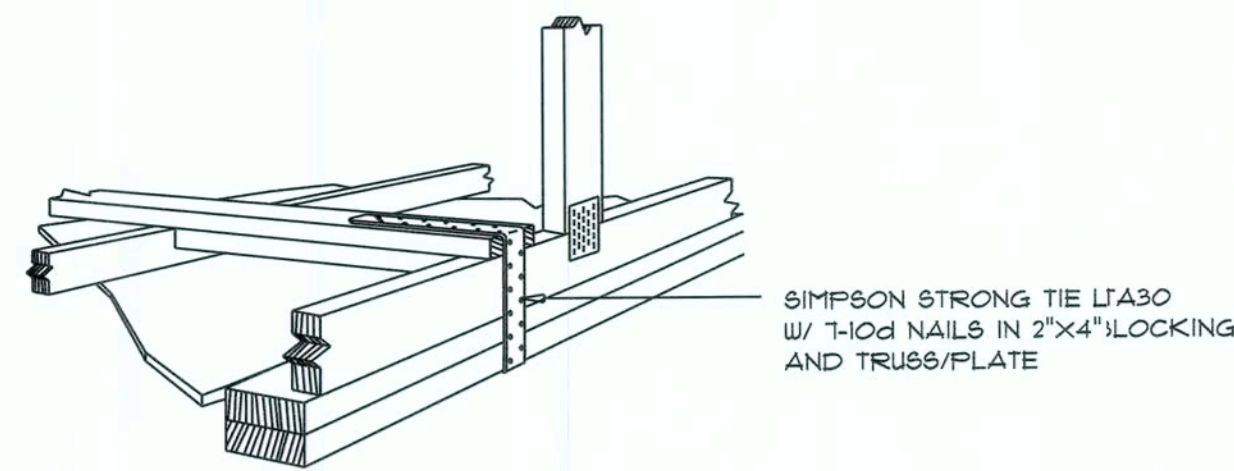
REVISIONS	April 8th, 2019

GLACKIN RESIDENCE
COLUMBIA COUNTY, FLORIDA
IC CONSTRUCTION, LLC
LAKE CITY, FL

NG
NICHOLAS PAUL FAUL ARCHITECT
1758 NW English Rd.
Lake City, FL 32025
(386) 758-9071
N.C.A.S.B. Certified

SHEET NUMBER
S.3
OF 4 SHEETS

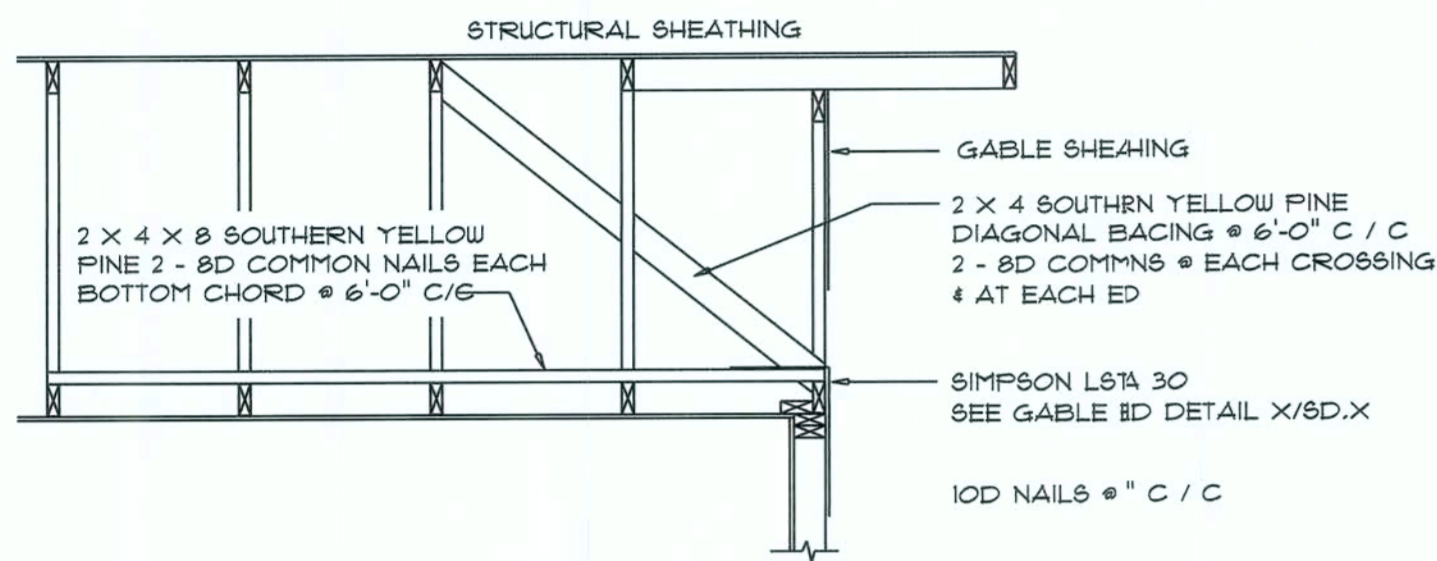
APR0007005



GABLE END GYPSUM DIAPHRAGM HOLD-DOWN CONNECTOR

SCALE: NONE

A.1



END WALL BRACING FOR CEILING DIAPHRAGM

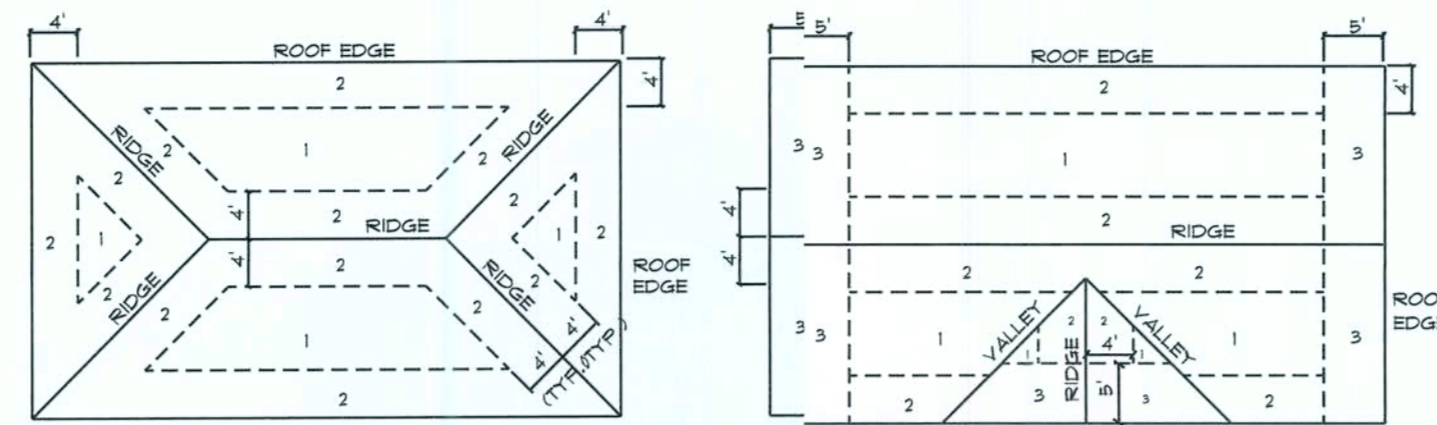
NTS (ALTERNATIVE TO BALLOON FRAMING)

NOTE: ALL WOOD TO BE NUMBER 2 GRADE SOUTHERN YELLOW PINE

A

ROOF SHEATHING FASTENINGS

NAILING ZONE	SHEATHING TYPE	FASTENER	SPACING
1		6 in. o.c. EDGE 12 in. o.c. FIELD	
2	7/16" O.S.B. OR 15/32 CDX	10 RING SHANKED NAILS	6 in. o.c. EDGE 6 in. o.c. FIELD
3		4 in. o.c. GABLE END WALL OR GABLE TRUSS OR 6 in. o.c. EDGE 6 in. o.c. FIELD	

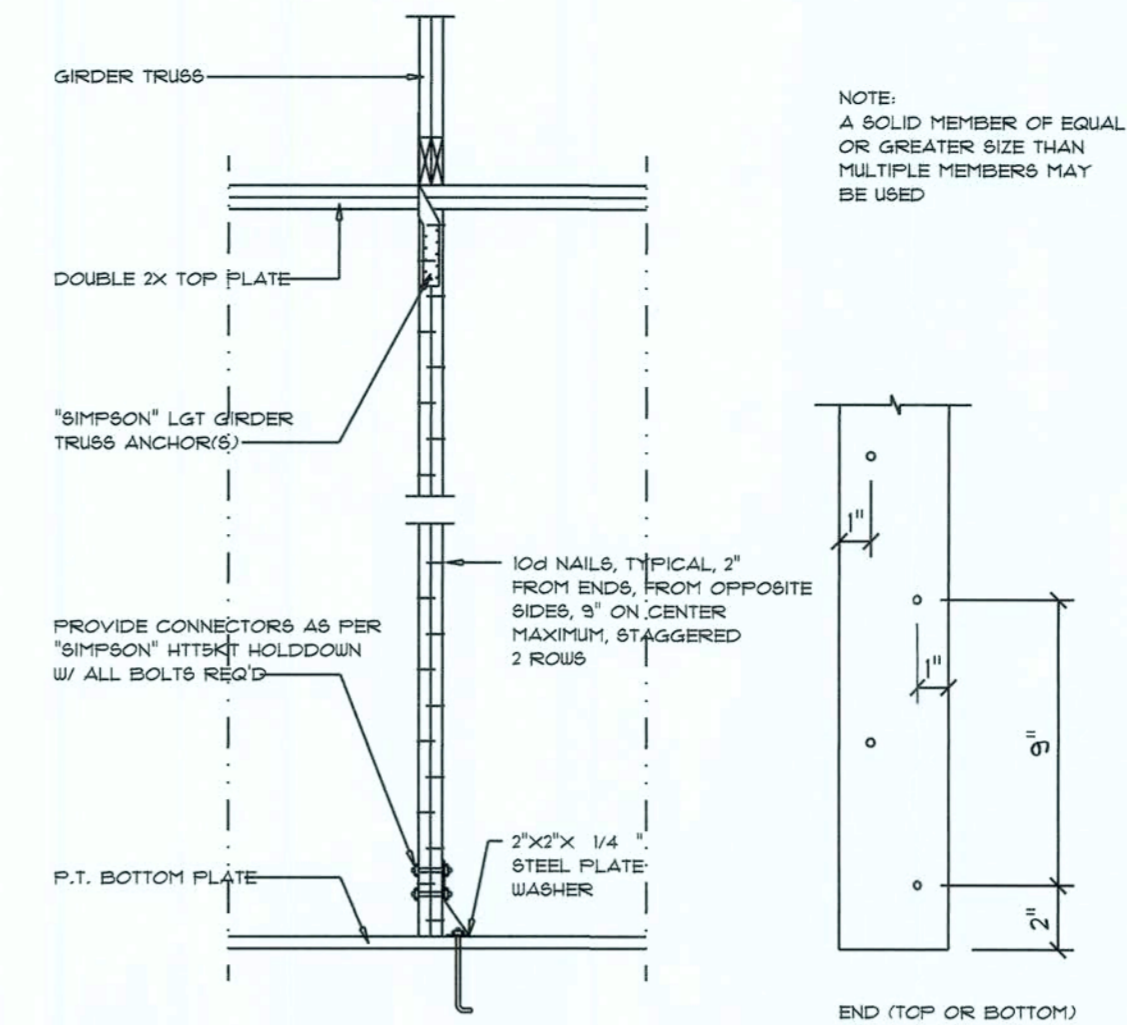


ROOF SHEATHING NAILING ZONES (HIP ROOF) ROOF SHEATHING NAILING ZONES (GABLE ROOF)

Roof Nail Pattern DET.

SCALE: NONE

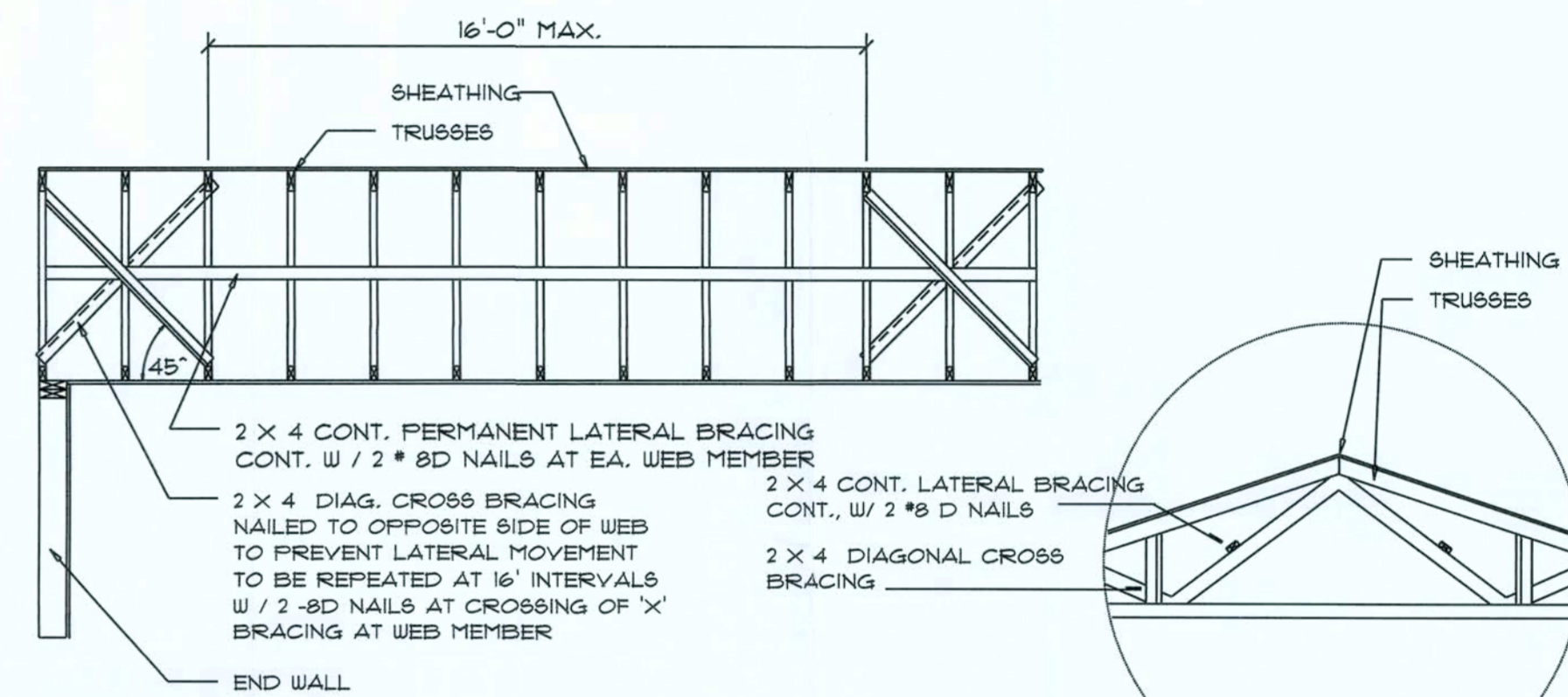
B



Girder Truss Column DET.

SCALE: 1/2" = 1'-0"

C



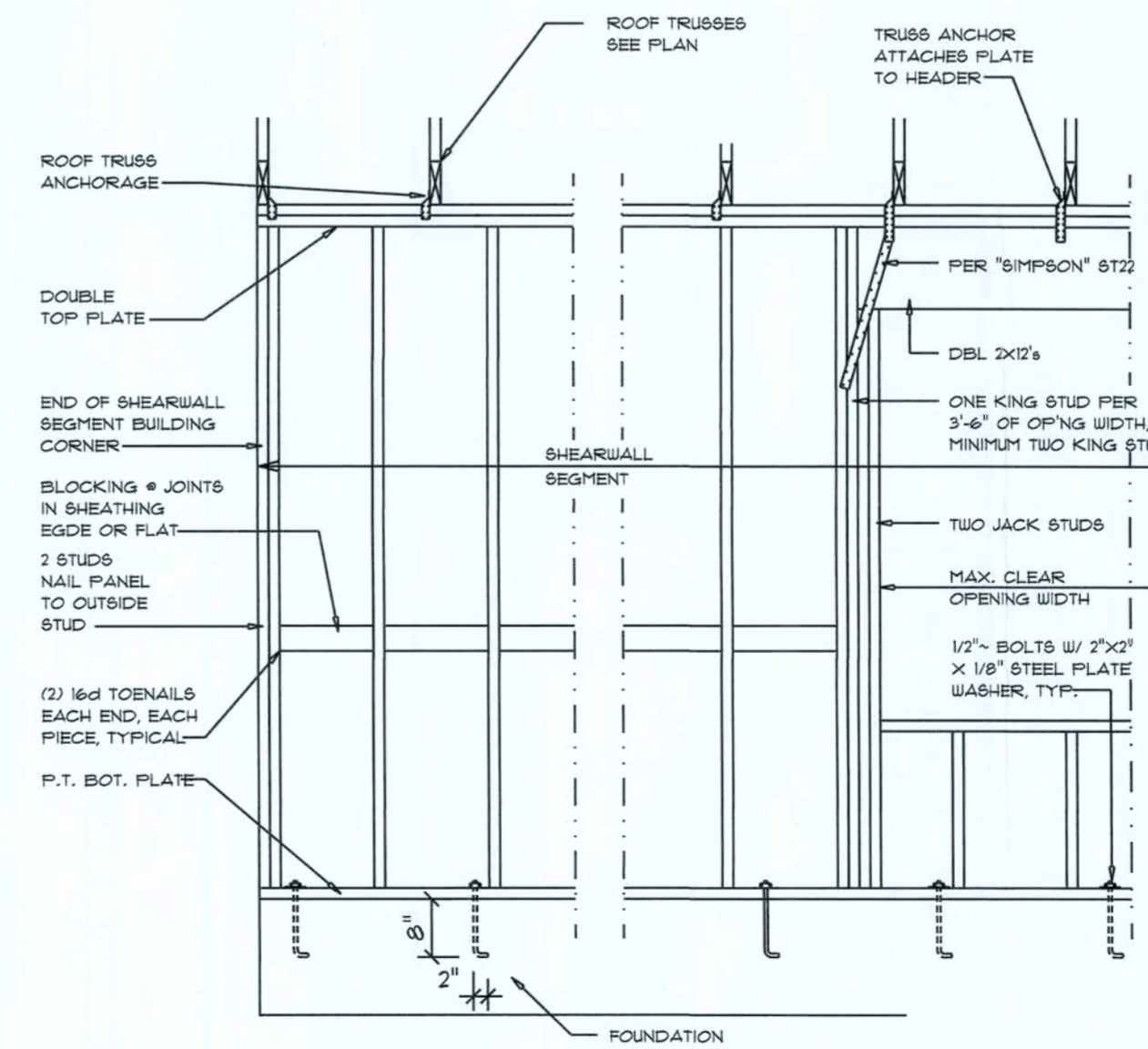
TYP. PERMANENT TRUSS BRACING DIA.

NTS NOTE: ALL WOOD TO BE NUMBER 2 GRADE SOUTHERN YELLOW PINE

D

Truss Bracing DETAILS

SCALE: AS NOTED



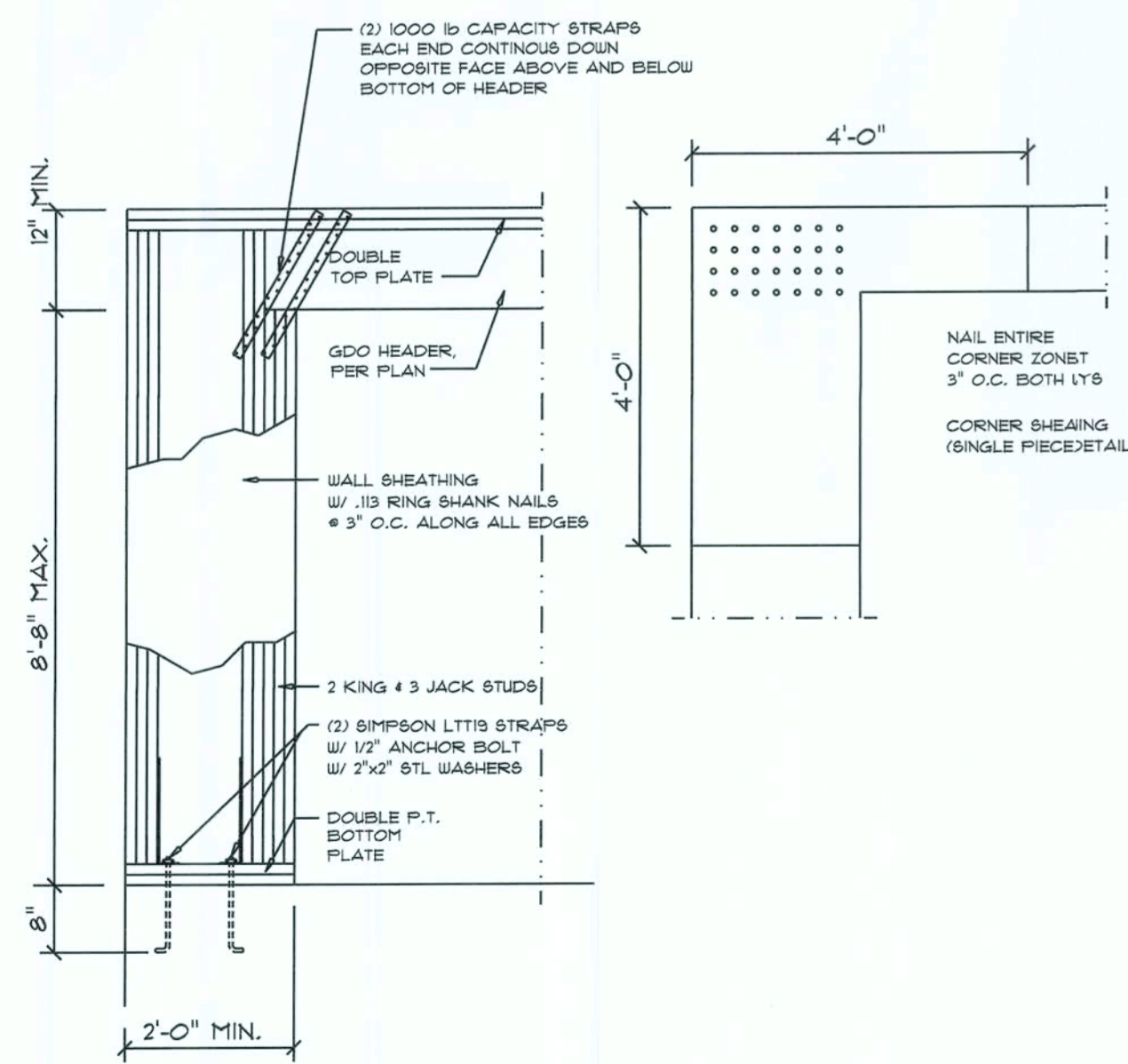
- SHEARWALL NOTES:**
- ALL SHEARWALLS SHALL BE TYPE 2 SHEARWALLS
 - THE WALL SHALL BE ENTIRELY SHEATHED WITH 1/2" WINDSTORM BD INCLUDING AREAS ABOVE AND BELOW OPENINGS.
 - ALL SHEATHING SHALL BE ATTACHED TO FRAMING ALONG ALL FOUR EDGES WITH JOINTS FOR ADJACENT PANELS OCCURRING OVER COMMON FRAMING MEMBERS OR ALONG BLOCKING.
 - NAIL SPACING SHALL BE 6" O.C. EDGES AND 12" O.C. IN THE FIELD.
 - TYPE 2 SHEARWALLS ARE DESIGNED FOR THE OPENING IT CONTAINS. MAXIMUM HEIGHT OF OPENING SHALL BE 5/6 TIMES THE WALL HEIGHT. THE MINIMUM DISTANCE BETWEEN OPENINGS SHALL BE THE WALL HEIGHT/3.5 FOR 8'-0" WALLS (7'-0").

OPENING WIDTH	BILL PLATES	16d TOE NAILS EACH END
UP TO 6'-0"	(1) 2x4 OR (1) 2x6	1
6' TO 8'-0"	(3) 2x4 OR (1) 2x6	2
8' TO 12'-0"	(5) 2x4 OR (2) 2x6	3

Shear Wall DETAILS

SCALE: NONE

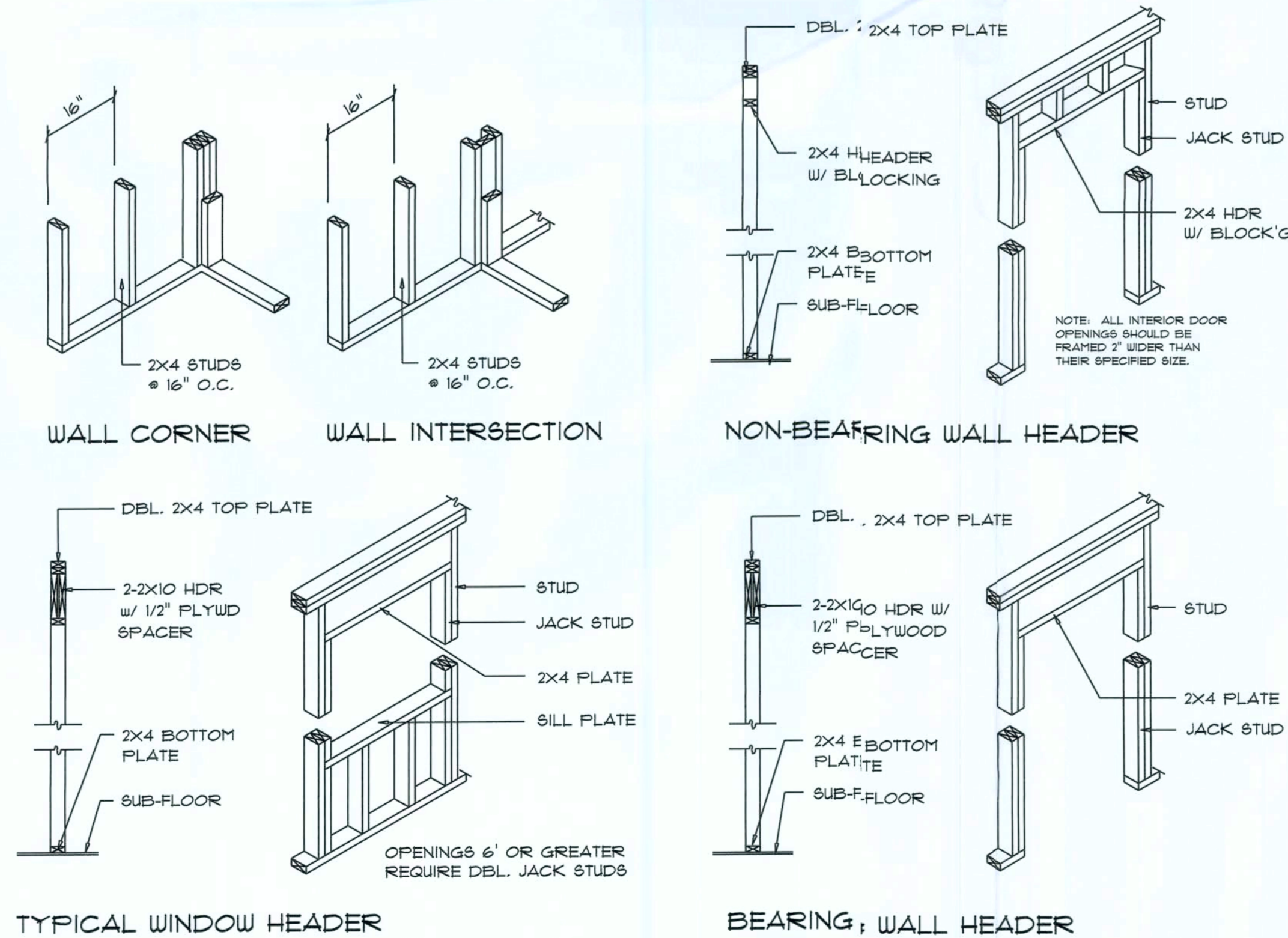
E



Garage End Wall DETAILS

SCALE: 1/2" = 1'-0"

G



Wall Framing/Header DETAILS

SCALE: NONE

F

REVISIONS

April 8th, 2019

GLACKIN RESIDENCE
COLUMBIA COUNTY, FLORIDA
IC CONSTRUCTION, LLC
LAKE CITY, FL

NICHOLAS PAUL GEISLER ARCHITECT
1759 NW Brown Rd.
Lake City, FL 32025
(386) 755-8021
FLA. REG. ARCHITECT

SHEET NUMBER
S.4
OF 4 SHEETS

APR0007005
04/07/2019