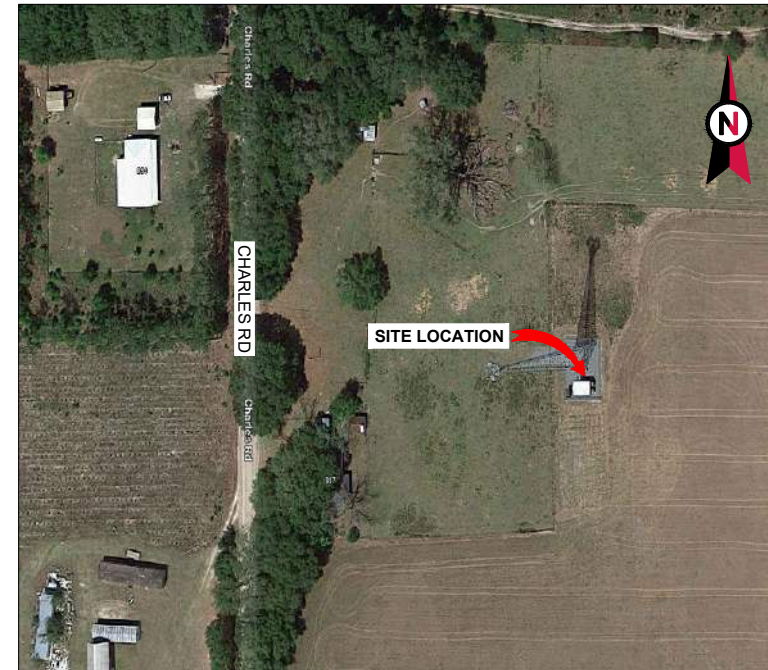


VICINITY MAP



AMERICAN TO

ATC SITE NAME: COLUMBIA (CHARLES) FL
 ATC SITE NUMBER: 417139
 T-MOBILE SITE NAME: 9JK2817A (USA)
 T-MOBILE SITE NUMBER: 9JK2817A
 SITE ADDRESS: CHARLES TERRACE
 LAKE CITY, FL 32024
 SITE CLASS: SELF SUPPORT



LOCATION MAP

**T-MOBILE COVERAGE STRATEGY COLLOCATION PLAN
 4SEC-67E5D998E 6160 CONFIGURATION**

AMERICAN TOWER®
MORRISON HERSHFIELD
 2 S UNIVERSITY DR., UNIT 245
 PLANTATION, FL 33324
 Tel: 954.577.4655
 FL C OF A #8508
 FL Architect business #AA26002368
 www.morrisonhershfield.com

DO NOT SCALE DRAWING. CONTRACTOR MUST VERIFY ALL DIMENSIONS AND ADVISE CONSULTANTS OF ANY ERRORS OR OMISSIONS. THE INFORMATION CONTAINED IN THIS SET OF DOCUMENTS IS PROPRIETARY BY NATURE. ANY USE OR DISCLOSURE OTHER THAN WHICH IS RELATED TO NAMED CLIENT IS STRICTLY PROHIBITED. NEITHER THE ARCHITECT NOR THE ENGINEER WILL BE PROVIDING ON-SITE CONSTRUCTION REVIEW OF THIS PROJECT. ALL PREVIOUS ISSUES OF THIS DRAWING ARE SUPERSEDED BY THE LATEST REVISION.

REV.	DESCRIPTION	BY	DATE
△	PRELIM	NY	01/10/23
△	FINALS	MS	02/06/23
△			
△			
△			

ATC SITE NUMBER:
417139
 ATC SITE NAME:
COLUMBIA (CHARLES) FL
 T-MOBILE SITE NAME:
9JK2817A (USA)
 SITE ADDRESS:
 CHARLES TERRACE
 LAKE CITY, FL 32024

SEAL:

Digitally signed by Robert Lara
 Date: 2023.02.06 18:41:17-05'00'



MH PROJ NO: 220329500
 ATC PROJ. #: 14192636
 CUST. ID: 9JK2817A (USA)
 CUST. #: 9JK2817A

TITLE SHEET

SHEET NUMBER: **G-001** REVISION: **0**

COMPLIANCE CODE

ALL WORK SHALL BE PERFORMED AND MATERIALS INSTALLED IN ACCORDANCE WITH THE CURRENT EDITIONS OF THE FOLLOWING CODES AS ADOPTED BY THE LOCAL GOVERNMENT AUTHORITIES. NOTHING IN THESE PLANS IS TO BE CONSTRUED TO PERMIT WORK NOT CONFORMING TO THESE CODES.

- 2020 FLORIDA BUILDING CODE, 7TH EDITION
- ANSI/TIA-222-H
- 7TH EDITION FLORIDA FIRE PREVENTION CODE (NFPA 70)
- 2017 NATIONAL ELECTRICAL CODE
- BASIC WIND SPEED: 118 MPH Vult (3-SECOND GUST)
 EXPOSURE CATEGORY: C
 RISK CATEGORY: II

CITY/COUNTY ORDINANCES

UTILITY COMPANIES

POWER COMPANY: N/A
 PHONE: N/A

TELEPHONE COMPANY: N/A
 PHONE: N/A

Call 811 or visit sunshine811.com two full business days before digging to have buried facilities located and marked.
 check positive response codes before you dig!

PROJECT SUMMARY

SITE ADDRESS:
 CHARLES TERRACE
 LAKE CITY, FL 32024
 COUNTY: COLUMBIA

GEOGRAPHIC COORDINATES:
 LATITUDE: 30.106319°
 LONGITUDE: -82.760058°
 GROUND ELEVATION: 104' AMSL

ZONING INFORMATION:
 JURISDICTION: COLUMBIA COUNTY, FL
 APN: 304S1603249000
 ZONING CODE: N/A

PROJECT TEAM

TOWER OWNER:
 AMERICAN TOWER
 10 PRESIDENTIAL WAY
 WOBURN, MA 01801

APPLICANT:
 T-MOBILE
 5901 BENJAMIN CENTER
 DRIVE, SUITE 110 A-B
 TAMPA, FL 33634

PROFESSIONAL OF RECORD:
 ROBERT J. LARA, AIA
 2 S UNIVERSITY DR., UNIT 245
 PLANTATION, FL 33324
 (954) 577-4668
 rlara@morrisonhershfield.com

PROPERTY OWNER:
 CHARLES LUTHER DANIEL
 1119 SW CYPRESS LAKE DR
 LAKE CITY, FL 32024

PROJECT DESCRIPTION

THE PROPOSED PROJECT INCLUDES INSTALLING EQUIPMENT CABINETS ON A PROPOSED CONCRETE PAD INSIDE A 10' X 15' GROUND SPACE WITHIN THE EXISTING COMPOUND, AND INSTALLING NEW EQUIPMENT AND MOUNTS ON THE EXISTING TOWER.

PROJECT NOTES

- THE FACILITY IS UNMANNED.
- A TECHNICIAN WILL VISIT THE SITE APPROXIMATELY ONCE A MONTH FOR ROUTINE INSPECTION AND MAINTENANCE.
- THE PROJECT WILL NOT RESULT IN ANY SIGNIFICANT LAND DISTURBANCE OR EFFECT OF STORM WATER DRAINAGE.
- NO SANITARY SEWER, POTABLE WATER OR TRASH DISPOSAL IS REQUIRED.
- HANDICAP ACCESS IS NOT REQUIRED.
- THE PROJECT DEPICTED IN THESE PLANS QUALIFIES AS AN ELIGIBLE FACILITIES REQUEST ENTITLED TO EXPEDITED REVIEW UNDER 47 U.S.C. § 1455(A) AS A MODIFICATION OF AN EXISTING WIRELESS TOWER THAT INVOLVES THE COLLOCATION, REMOVAL, AND/OR REPLACEMENT OF TRANSMISSION EQUIPMENT THAT IS NOT A SUBSTANTIAL CHANGE UNDER CFR § 1.61000 (B)(7).

PROJECT LOCATION DIRECTIONS

FROM I-75 TAKE EXIT 427 ONTO US-90.3 MILES TURN LEFT ONTO US 90.6 MILES TURN LEFT ONTO SW CTY RD 252B2.2 MILES TURN RIGHT ONTO SW STATE RD 2474.2 MILES TURN RIGHT ONTO CYPRESS LAKE RD1 MILE TURN RIGHT ONTO SW CHARLES TER.4 MILES ACCESS ROAD ON RIGHT

SHEET INDEX

SHEET NO:	DESCRIPTION:	REV:	DATE:	BY:
G-001	TITLE SHEET	0	02/06/23	MS
G-002	GENERAL NOTES	0	02/06/23	MS
C-101	DETAILED COMPOUND PLAN	0	02/06/23	MS
C-201	TOWER ELEVATION	0	02/06/23	MS
C-401	ANTENNA INFORMATION & SCHEDULE	0	02/06/23	MS
C-501	CONSTRUCTION DETAILS	0	02/06/23	MS
C-502	CONSTRUCTION DETAILS	0	02/06/23	MS
C-503	CONSTRUCTION DETAILS	0	02/06/23	MS
C-504	CONSTRUCTION DETAILS	0	02/06/23	MS
E-101	GROUNDING DETAILS & ELECTRICAL SCHEMATIC	0	02/06/23	MS
E-102	PANEL SCHEDULE & ONE-LINE DIAGRAM	0	02/06/23	MS
E-501	GROUNDING DETAILS	0	02/06/23	MS
R-601	SUPPLEMENTAL			
R-602	SUPPLEMENTAL			
R-603	SUPPLEMENTAL			
R-604	SUPPLEMENTAL			
R-605	SUPPLEMENTAL			
R-606	SUPPLEMENTAL			
R-607	SUPPLEMENTAL			
R-608	SUPPLEMENTAL			
R-609	SUPPLEMENTAL			
R-610	SUPPLEMENTAL			
R-611	SUPPLEMENTAL			
R-612	SUPPLEMENTAL			
R-613	SUPPLEMENTAL			
R-614	SUPPLEMENTAL			
R-615	SUPPLEMENTAL			

Copyright © 2023 ATC IP, LLC. All Rights Reserved.

GENERAL CONSTRUCTION NOTES:

1. OWNER FURNISHED MATERIALS, T-MOBILE "THE COMPANY" WILL PROVIDE AND THE CONTRACTOR WILL INSTALL
 - A. BTS EQUIPMENT FRAME (PLATFORM) AND ICEBRIDGE SHELTER (GROUND BUILD/CO-LOCATE ONLY)
 - B. AC/TELCO INTERFACE BOX (PPC)
 - C. ICE BRIDGE (CABLE TRAY WITH COVER) (GROUND BUILD/CO-LOCATE ONLY, GC TO FURNISH AND INSTALL FOR ROOFTOP INSTALLATION)
 - D. TOWERS, MONOPOLES
 - E. TOWER LIGHTING
 - F. GENERATORS & LIQUID PROPANE TANK
 - G. ANTENNA STANDARD BRACKETS, FRAMES AND PIPES FOR MOUNTING
 - H. ANTENNAS (INSTALLED BY OTHERS)
 - I. TRANSMISSION LINE
 - J. TRANSMISSION LINE JUMPERS
 - K. TRANSMISSION LINE CONNECTORS WITH WEATHERPROOFING KITS
 - L. TRANSMISSION LINE GROUND KITS
 - M. HANGERS
 - N. HOISTING GRIPS
 - O. BTS EQUIPMENT
2. THE CONTRACTOR IS RESPONSIBLE TO PROVIDE ALL OTHER MATERIALS FOR THE COMPLETE INSTALLATION OF THE SITE INCLUDING, BUT NOT LIMITED TO, SUCH MATERIALS AS FENCING, STRUCTURAL STEEL SUPPORTING SUB-FRAME FOR PLATFORM, ROOFING LABOR AND MATERIALS, GROUNDING RINGS, GROUNDING WIRES, COPPER-CLAD OR XIT CHEMICAL GROUND ROD(S), BUSS BARS, TRANSFORMERS AND DISCONNECT SWITCHES WHERE APPLICABLE, TEMPORARY ELECTRICAL POWER, CONDUIT, LANDSCAPING COMPOUND STONE, CRANES, CORE DRILLING, SLEEPERS AND RUBBER MATTING, REBAR, CONCRETE CAISSONS, PADS AND/OR AUGER MOUNTS, MISCELLANEOUS FASTENERS, CABLE TRAYS, NON-STANDARD ANTENNA FRAMES AND ALL OTHER MATERIAL AND LABOR REQUIRED TO COMPLETE THE JOB ACCORDING TO THE DRAWINGS AND SPECIFICATIONS. IT IS THE POSITION OF T-MOBILE TO APPLY FOR PERMITTING AND CONTRACTOR RESPONSIBLE FOR PICKUP AND PAYMENT OF REQUIRED PERMITS.
3. ALL WORK SHALL CONFORM TO ALL CURRENT APPLICABLE FEDERAL, STATE, AND LOCAL CODES, INCLUDING ANSII/EIA/71A-222, AND COMPLY WITH ATC CONSTRUCTION SPECIFICATIONS.
4. CONTRACTOR SHALL CONTACT LOCAL 811 FOR IDENTIFICATION OF UNDERGROUND UTILITIES PRIOR TO START OF CONSTRUCTION.
5. CONTRACTOR SHALL BE RESPONSIBLE FOR COORDINATING ALL REQUIRED INSPECTIONS.
6. ALL DIMENSIONS TO, OF, AND ON EXISTING BUILDINGS, DRAINAGE STRUCTURES, AND SITE IMPROVEMENTS SHALL BE VERIFIED IN FIELD BY CONTRACTOR WITH ALL DISCREPANCIES REPORTED TO THE ENGINEER.
7. DO NOT CHANGE SIZE OR SPACING OF STRUCTURAL ELEMENTS.
8. DETAILS SHOWN ARE TYPICAL; SIMILAR DETAILS APPLY TO SIMILAR CONDITIONS UNLESS OTHERWISE NOTED.
9. THESE DRAWINGS DO NOT INCLUDE NECESSARY COMPONENTS FOR CONSTRUCTION SAFETY WHICH SHALL BE THE SOLE RESPONSIBILITY OF THE CONTRACTOR.
10. CONTRACTOR SHALL BRACE STRUCTURES UNTIL ALL STRUCTURAL ELEMENTS NEEDED FOR STABILITY ARE INSTALLED. THESE ELEMENTS ARE AS FOLLOWS: LATERAL BRACING, ANCHOR BOLTS, ETC.
11. CONTRACTOR SHALL DETERMINE EXACT LOCATION OF EXISTING UTILITIES, GROUNDS DRAINS, DRAIN PIPES, VENTS, ETC. BEFORE COMMENCING WORK.
12. INCORRECTLY FABRICATED, DAMAGED, OR OTHERWISE MISFITTING OR NONCONFORMING MATERIALS OR CONDITIONS SHALL BE REPORTED TO THE T-MOBILE REP PRIOR TO REMEDIAL OR CORRECTIVE ACTION. ANY SUCH REMEDIAL ACTION SHALL REQUIRE WRITTEN APPROVAL BY THE T-MOBILE REP PRIOR TO PROCEEDING.
13. EACH CONTRACTOR SHALL COOPERATE WITH THE T-MOBILE REP, AND COORDINATE HIS WORK WITH THE WORK OF OTHERS.
14. CONTRACTOR SHALL REPAIR ANY DAMAGE CAUSED BY CONSTRUCTION OF THIS PROJECT TO MATCH EXISTING PRE-CONSTRUCTION CONDITIONS TO THE SATISFACTION OF THE T-MOBILE CONSTRUCTION MANAGER.
15. ALL CABLE/CONDUIT ENTRY/EXIT PORTS SHALL BE WEATHERPROOFED DURING INSTALLATION USING A SILICONE SEALANT.
16. WHERE EXISTING CONDITIONS DO NOT MATCH THOSE SHOWN IN THIS PLAN SET, CONTRACTOR SHALL NOTIFY THE T-MOBILE REP AND ENGINEER OF RECORD IMMEDIATELY.
17. CONTRACTOR SHALL ENSURE ALL SUBCONTRACTORS ARE PROVIDED WITH A COMPLETE AND CURRENT SET OF DRAWINGS AND SPECIFICATIONS FOR THIS PROJECT.
18. CONTRACTOR SHALL REMOVE ALL RUBBISH AND DEBRIS FROM THE SITE AT THE END OF EACH DAY.
19. CONTRACTOR SHALL COORDINATE WORK SCHEDULE WITH AMERICAN TOWER CORPORATION (ATC) AND TAKE PRECAUTIONS TO MINIMIZE IMPACT AND DISRUPTION OF OTHER OCCUPANTS OF THE FACILITY.
20. CONTRACTOR SHALL FURNISH T-MOBILE AND AMERICAN TOWER CORPORATION (ATC) WITH A PDF MARKED UP AS-BUILT SET OF DRAWINGS UPON COMPLETION OF WORK.
21. PRIOR TO SUBMISSION OF BID, CONTRACTOR SHALL COORDINATE WITH T-MOBILE REP TO DETERMINE WHAT, IF ANY, ITEMS WILL BE PROVIDED. ALL ITEMS NOT PROVIDED SHALL BE PROVIDED AND INSTALLED BY THE CONTRACTOR. CONTRACTOR WILL INSTALL ALL ITEMS PROVIDED.

22. PRIOR TO SUBMISSION OF BID, CONTRACTOR SHALL COORDINATE WITH T-MOBILE REP TO DETERMINE IF ANY PERMITS WILL BE OBTAINED BY CONTRACTOR. ALL REQUIRED PERMITS NOT OBTAINED BY T-MOBILE MUST BE OBTAINED, AND PAID FOR, BY THE CONTRACTOR.
23. CONTRACTOR SHALL INSTALL ALL SITE SIGNAGE IN ACCORDANCE WITH T-MOBILE SPECIFICATIONS AND REQUIREMENTS.
24. CONTRACTOR SHALL SUBMIT ALL SHOP DRAWINGS TO T-MOBILE FOR REVIEW AND APPROVAL PRIOR TO FABRICATION.
25. ALL EQUIPMENT SHALL BE INSTALLED ACCORDING TO MANUFACTURER'S SPECIFICATIONS AND LOCATED ACCORDING TO T-MOBILE SPECIFICATIONS, AND AS SHOWN IN THESE PLANS.
26. THE CONTRACTOR SHALL SUPERVISE AND DIRECT THE PROJECT DESCRIBED HEREIN. THE CONTRACTOR SHALL BE SOLELY RESPONSIBLE FOR ALL THE CONSTRUCTION MEANS, METHODS, TECHNIQUES, SEQUENCES AND PROCEDURES AND FOR COORDINATING ALL PORTIONS OF THE WORK UNDER THE CONTRACT.
27. CONTRACTOR SHALL NOTIFY T-MOBILE REP A MINIMUM OF 48 HOURS IN ADVANCE OF POURING CONCRETE OR BACKFILLING ANY UNDERGROUND UTILITIES, FOUNDATIONS OR SEALING ANY WALL, FLOOR OR ROOF PENETRATIONS FOR ENGINEERING REVIEW AND APPROVAL.
28. CONTRACTOR SHALL BE RESPONSIBLE FOR SITE SAFETY INCLUDING COMPLIANCE WITH ALL APPLICABLE OSHA STANDARDS AND RECOMMENDATIONS AND SHALL PROVIDE ALL NECESSARY SAFETY DEVICES INCLUDING PPE AND PPM AND CONSTRUCTION DEVICES SUCH AS WELDING AND FIRE PREVENTION, TEMPORARY SHORING, SCAFFOLDING, TRENCH BOXES/SLOPING, BARRIERS, ETC.
29. THE CONTRACTOR SHALL PROTECT AT HIS OWN EXPENSE, ALL EXISTING FACILITIES AND SUCH OF HIS NEW WORK LIABLE TO INJURY DURING THE CONSTRUCTION PERIOD. ANY DAMAGE CAUSED BY NEGLIGENCE ON THE PART OF THIS CONTRACTOR OR HIS REPRESENTATIVES, OR BY THE ELEMENTS DUE TO NEGLIGENCE ON THE PART OF THIS CONTRACTOR OR HIS REPRESENTATIVES, EITHER TO THE EXISTING WORK, OR TO HIS WORK OR THE WORK OF ANY OTHER CONTRACTOR, SHALL BE REPAIRED AT HIS EXPENSE TO THE OWNER'S SATISFACTION.
30. ALL WORK SHALL BE INSTALLED IN A FIRST CLASS, NEAT AND WORKMANLIKE MANNER BY MECHANICS SKILLED IN THE TRADE INVOLVED. THE QUALITY OF WORKMANSHIP SHALL BE SUBJECT TO THE APPROVAL OF THE T-MOBILE REP. ANY WORK FOUND BY THE T-MOBILE REP TO BE OF INFERIOR QUALITY AND/OR WORKMANSHIP SHALL BE REPLACED AND/OR REWORKED AT CONTRACTOR EXPENSE UNTIL APPROVAL IS OBTAINED.
31. IN ORDER TO ESTABLISH STANDARDS OF QUALITY AND PERFORMANCE, ALL TYPES OF MATERIALS LISTED HEREINAFTER BY MANUFACTURER'S NAMES AND/OR MANUFACTURER'S CATALOG NUMBER SHALL BE PROVIDED BY THESE MANUFACTURERS AS SPECIFIED.
32. T-MOBILE FURNISHED EQUIPMENT SHALL BE PICKED-UP AT THE T-MOBILE WAREHOUSE, NO LATER THAN 48HR AFTER BEING NOTIFIED INSURED, STORED, UNCRATE, PROTECTED AND INSTALLED BY THE CONTRACTOR WITH ALL APPURTENANCES REQUIRED TO PLACE THE EQUIPMENT IN OPERATION, READY FOR USE. THE CONTRACTOR SHALL BE RESPONSIBLE FOR THE EQUIPMENT AFTER PICKING IT UP.
33. T-MOBILE OR HIS ARCHITECT/ENGINEER RESERVES THE RIGHT TO REJECT ANY EQUIPMENT OR MATERIALS WHICH, IN HIS OWN OPINION ARE NOT IN COMPLIANCE WITH THE CONTRACT DOCUMENTS, EITHER BEFORE OR AFTER INSTALLATION AND THE EQUIPMENT SHALL BE REPLACED WITH EQUIPMENT CONFORMING TO THE REQUIREMENTS OF THE CONTRACT DOCUMENTS BY THE CONTRACTOR AT NO COST TO T-MOBILE OR THEIR ARCHITECT/ENGINEER.

SPECIAL CONSTRUCTION

ANTENNA INSTALLATION NOTES:

1. WORK INCLUDED:
 - A. ANTENNA AND COAXIAL CABLES ARE FURNISHED BY T-MOBILE UNDER A SEPARATE CONTRACT. THE CONTRACTOR SHALL ASSIST ANTENNA INSTALLATION CONTRACTOR IN TERMS OF COORDINATION AND SITE ACCESS. ERECTION SUBCONTRACTOR SHALL BE RESPONSIBLE FOR THE PROTECTION OF PERSONNEL.
 - B. INSTALL ANTENNAS AS INDICATED ON DRAWINGS AND T-MOBILE SPECIFICATIONS.
 - C. INSTALL GALVANIZED STEEL ANTENNA MOUNTS AS INDICATED ON DRAWINGS.
 - D. INSTALL FURNISHED GALVANIZED STEEL OR ALUMINUM WAVEGUIDE AND PROVIDE PRINTOUT OF THAT TEST.
 - E. CONTRACTOR SHALL PROVIDE FOUR (4) SETS OF SWEEP TESTS USING ANRITZU-PACKARD 8713B RF SCALAR NETWORK ANALYZER. SUBMIT FREQUENCY DOMAIN REFLECTOMETER(FDR) TESTS RESULTS TO THE PROJECT MANAGER. SWEEP TESTS SHALL BE AS PER ATTACHED RFS "MINIMUM FIELD TESTING RECOMMENDED FOR ANTENNA AND HELIAX COAXIAL CABLE SYSTEMS" DATED 10/5/93. TESTING SHALL BE PERFORMED BY AN INDEPENDENT TESTING SERVICE AND BE BOUND AND SUBMITTED WITHIN ONE WEEK OF WORK COMPLETION.
 - F. INSTALL COAXIAL CABLES AND TERMINATING BETWEEN ANTENNAS AND EQUIPMENT PER MANUFACTURER'S RECOMMENDATIONS. WEATHERPROOF ALL CONNECTIONS BETWEEN THE ANTENNA AND EQUIPMENT PER MANUFACTURER'S REQUIREMENTS. TERMINATE ALL COAXIAL CABLE THREE (3) FEET IN EXCESS OF ENTRY PORT LOCATION UNLESS OTHERWISE STATED.
 - G. ANTENNA AND COAXIAL CABLE GROUNDING:

2. ALL EXTERIOR #6 GREEN GROUND WIRE "DAISY CHAIN" CONNECTIONS ARE TO BE WEATHER SEALED WITH RFS CONNECTORS/SPLICE WEATHERPROOFING KIT #221213 OR EQUAL.

3. ALL COAXIAL CABLE GROUNDING KITS ARE TO BE INSTALLED ON STRAIGHT RUNS OF COAXIAL CABLE (NOT WITHIN BENDS).

CONCRETE AND REINFORCING STEEL NOTES:

1. DESIGN AND CONSTRUCTION OF ALL CONCRETE ELEMENTS SHALL CONFORM TO THE LATEST EDITIONS OF ALL APPLICABLE CODES INCLUDING: ACI 301 "SPECIFICATIONS FOR STRUCTURAL CONCRETE FOR BUILDINGS", ACI 117 "SPECIFICATIONS FOR TOLERANCES FOR CONCRETE CONSTRUCTION AND MATERIALS", AND ACI 318 "BUILDING CODE REQUIREMENTS FOR REINFORCED CONCRETE."
2. MIX DESIGN SHALL BE APPROVED BY T-MOBILE REP PRIOR TO PLACING CONCRETE.
3. CONCRETE SHALL BE NORMAL WEIGHT, 6 % AIR ENTRAINED (+/- 1.5%) WITH A SLUMP RANGE OF 3-6" AND HAVE A MINIMUM 28-DAY COMPRESSIVE STRENGTH OF 4500 PSI UNLESS OTHERWISE NOTED.
4. THE FOLLOWING MATERIALS SHALL BE USED:
 - PORTLAND CEMENT: ASTM C150, TYPE 2
 - REINFORCEMENT: ASTM A185, PLAIN STEEL WELDED WIRE FABRIC
 - REINFORCEMENT BARS: ASTM A615, GRADE 60, DEFORMED
 - NORMAL WEIGHT AGGREGATE: ASTM C33
 - WATER: ASTM C 94/C 94M
 - WELDED WIRE FABRIC: ASTM A185
 - ADMIXTURES:
 - WATER-REDUCING AGENT: ASTM C 494/C 494M, TYPE A
 - AIR-ENTERING AGENT: ASTM C 260/C 260M
 - SUPERPLASTICIZER: ASTM C494, TYPE F OR TYPE G
 - RETTARDING: ASTM C 494/C 494M, TYPE B
5. MINIMUM CONCRETE COVER FOR REINFORCING STEEL SHALL BE NO LESS THAN 3".
6. A 3/4" CHAMFER SHALL BE PROVIDED AT ALL EXPOSED EDGES OF CONCRETE IN ACCORDANCE WITH ACI 301 SECTION 4.2.4, UNLESS NOTED OTHERWISE.
7. INSTALLATION OF CONCRETE EXPANSION/WEDGE ANCHOR SHALL BE PER MANUFACTURER'S WRITTEN RECOMMENDED PROCEDURE. THE ANCHOR BOLT, DOWEL OR ROD SHALL CONFORM TO MANUFACTURER'S RECOMMENDATION FOR EMBEDMENT DEPTH OR AS SHOWN ON THE DRAWINGS. NO REBAR SHALL BE CUT WITHOUT PRIOR APPROVAL FROM AN ATC ENGINEER WHEN DRILLING HOLES IN CONCRETE.
8. ADMIXTURES SHALL CONFORM TO THE APPROPRIATE ASTM STANDARD AS REFERENCED IN "METHOD 1" OF ACI 301.
9. DO NOT WELD OR TACK WELD REINFORCING STEEL.
10. ALL DOWELS, ANCHOR BOLTS, EMBEDDED STEEL, ELECTRICAL CONDUITS, PIPE SLEEVES, GROUNDS AND ALL OTHER EMBEDDED ITEMS AND FORMED DETAILS SHALL BE IN PLACE BEFORE START OF CONCRETE PLACEMENT.
11. REINFORCEMENT SHALL BE COLD BENT WHENEVER BENDING IS REQUIRED.
12. DO NOT PLACE CONCRETE IN WATER, ICE, OR ON FROZEN GROUND.
13. FOR COLD-WEATHER (ACI 306) AND HOT-WEATHER (ACI 301M) CONCRETE PLACEMENT, CONFORM TO APPLICABLE ACI CODES AND RECOMMENDATIONS. IN EITHER CASE, MATERIALS CONTAINING CHLORIDE, CALCIUM, SALTS, ETC. SHALL NOT BE USED. PROTECT FRESH CONCRETE FROM WEATHER FOR 7 DAYS, MINIMUM.
14. ALL CONCRETE SHALL HAVE A "SMOOTH FORM FINISH."
15. SPLICING OF REINFORCEMENT IS PERMITTED ONLY AT LOCATIONS SHOWN IN THE CONTRACT DRAWINGS OR AS ACCEPTED BY THE ENGINEER. UNLESS OTHERWISE SHOWN OR NOTED REINFORCING STEEL SHALL BE SPLICED TO DEVELOP ITS FULL TENSILE CAPACITY (CLASS A) IN ACCORDANCE WITH ACI 318.
16. DETAILING OF REINFORCING STEEL SHALL CONFORM TO "ACI MANUAL OF STANDARD PRACTICE FOR DETAILING REINFORCED CONCRETE STRUCTURES" (ACI 315).
17. ALL SLAB CONSTRUCTION SHALL BE CAST MONOLITHICALLY WITHOUT HORIZONTAL CONSTRUCTION JOINTS, UNLESS SHOWN IN THE CONTRACT DRAWINGS.
18. LOCATION OF ALL CONSTRUCTION JOINTS ARE SUBJECT TO THE REQUIREMENTS OF THE CONTRACT DOCUMENTS, CONFORMANCE WITH ACI 318, AND ACCEPTANCE OF THE ENGINEER. DRAWINGS SHOWING LOCATION OF DETAILS OF THE PROPOSED CONSTRUCTION JOINTS SHALL BE SUBMITTED WITH REINFORCING STEEL PLACEMENT DRAWINGS.
19. SPLICES OF WWF, AT ALL SPLICED EDGES, SHALL BE SUCH THAT THE OVERLAP MEASURED BETWEEN OUTERMOST CROSS WIRES OF EACH FABRIC SHEET IS NOT LESS THAN THE SPACING OF THE CROSS WIRE PLUS 2 INCHES, NOR LESS THAN 6".
20. BAR SUPPORTS SHALL BE ALL-GALVANIZED METAL WITH PLASTIC TIPS.
21. ALL REINFORCEMENT SHALL BE SECURELY TIED IN PLACE TO PREVENT DISPLACEMENT BY CONSTRUCTION TRAFFIC OR CONCRETE. TIE WIRE SHALL BE OF SUFFICIENT STRENGTH FOR INTENDED PURPOSE, BUT NOT LESS THAN NO. 18 GAUGE.
22. SLAB ON GROUND: COMPACT STRUCTURAL FILL TO 95% DENSITY AND THEN PLACE 6" GRAVEL BENEATH SLAB.

ELECTRICAL NOTES:

1. ELECTRICAL DESIGN SHALL BE PERFORMED BY ELECTRICAL CONTRACTOR. STRUCTURAL DESIGN SHALL BE PERFORMED BY GENERAL CONTRACTOR. ELECTRICAL CONTRACTOR SHALL ENSURE THAT ALL WORK COMPLIES WITH ALL APPLICABLE LOCAL

AND STATE CODES AND NATIONAL ELECTRICAL CODE.

2. ALL SUGGESTED ELECTRICAL ELEMENTS (SUCH AS BREAKER SIZES, WIRE SIZES, CONDUITS SIZES ARE FOR ZONING PURPOSES ONLY. IT IS THE RESPONSIBILITY TO OF THE ELECTRICAL CONTRACTOR TO CONFIRM COMPLIANCE WITH LOCAL ELECTRICAL CODES AND PASS ALL APPLICABLE AND NECESSARY INSPECTIONS. IN SOME EVENTS, IT MAY BE NECESSARY TO PERFORM AN ELECTRICAL LOAD STUDY TO VERIFY THE CAPACITY OF THE EXISTING SERVICE. THIS IS NOT THE RESPONSIBILITY OF CONCORDIA. IT IS THE RESPONSIBILITY OF THE ELECTRICAL CONTRACTOR.

3. CONTRACTOR SHALL FIELD LOCATE ALL BELOW GRADE GROUND LINES AND UTILITY LINES PRIOR TO CONSTRUCTION. CONTRACTOR IS RESPONSIBLE FOR RELOCATION OF ALL UTILITIES AND GROUND LINES THAT MAY BECOME DISTURBED OR CONFLICTING IN THE COURSE OF CONSTRUCTION.



AMERICAN TOWER®

MORRISON HERSHFIELD
 2 S UNIVERSITY DR., UNIT 245
 PLANTATION, FL 33324
 Tel: 954.577.4655
 FL C OF A #8508
 FL Architect business #AA26002368
 www.morrisonhershfield.com

DO NOT SCALE DRAWING. CONTRACTOR MUST VERIFY ALL DIMENSIONS AND ADVISE CONSULTANTS OF ANY ERRORS OR OMISSIONS. THE INFORMATION CONTAINED IN THIS SET OF DOCUMENTS IS PROPRIETARY BY NATURE. ANY USE OR DISCLOSURE OTHER THAN WHICH IS RELATED TO NAMED CLIENT IS STRICTLY PROHIBITED. NEITHER THE ARCHITECT NOR THE ENGINEER WILL BE PROVIDING ON-SITE CONSTRUCTION REVIEW OF THIS PROJECT. ALL PREVIOUS ISSUES OF THIS DRAWING ARE SUPERSEDED BY THE LATEST REVISION.

REV.	DESCRIPTION	BY	DATE
A	PRELIM	NY	01/10/23
O	FINALS	MS	02/06/23


ATC SITE NUMBER:
417139

ATC SITE NAME:
COLUMBIA (CHARLES) FL

T-MOBILE SITE NAME:
9JK2817A (USA)

SITE ADDRESS:
CHARLES TERRACE
LAKE CITY, FL 32024

SEAL:



Digitally signed by Robert Lara
Date: 2023.02.06 18:41:29-05'00'

T Mobile	
MH PROJ NO:	220329500
ATC PROJ. #:	14192636
CUST. ID:	9JK2817A (USA)
CUST. #:	9JK2817A

GENERAL NOTES	
SHEET NUMBER: G-002	REVISION: 0

ALL DISCREPANCIES FROM WHAT IS SHOWN ON THESE CONSTRUCTION DRAWINGS SHALL BE COMMUNICATED TO ATC ENGINEERING IMMEDIATELY FOR CORRECTION OR RE-DESIGN. FAILURE TO COMMUNICATE DIRECTLY WITH ATC ENGINEERING OR ANY CHANGES FROM THE DESIGN CONDUCTED WITHOUT PRIOR APPROVAL FROM ATC ENGINEERING SHALL BE THE SOLE RESPONSIBILITY OF THE GENERAL CONTRACTOR.

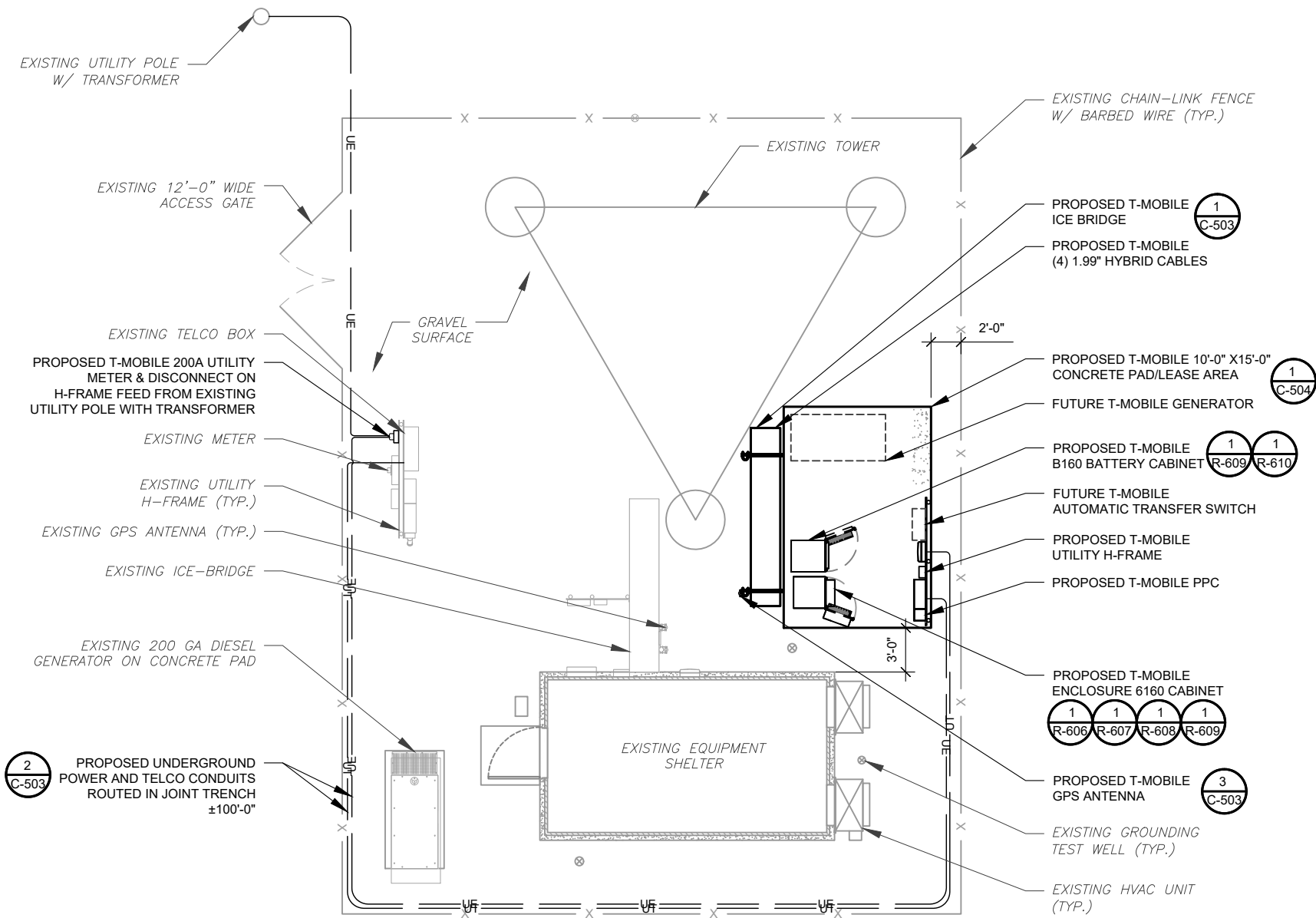
Copyright © 2023 ATC IP, LLC. All Rights Reserved.

COMPOUND PLAN NOTES:

1. THIS SITE PLAN REPRESENTS THE BEST PRESENT KNOWLEDGE AVAILABLE TO THE ENGINEER AT THE TIME OF THIS DESIGN. THE CONTRACTOR SHALL VISIT THE SITE PRIOR TO CONSTRUCTION AND VERIFY ALL EXISTING CONDITIONS RELATED TO THE SCOPE OF WORK FOR THIS PROJECT.
2. ICE BRIDGE, CABLE LADDER, COAX PORT, AND COAX CABLE ARE SHOWN FOR REFERENCE ONLY. CONTRACTOR SHALL CONFIRM THE EXACT LOCATION OF ALL PROPOSED AND EXISTING EQUIPMENT AND STRUCTURES DEPICTED ON THIS PLAN. BEFORE UTILIZING EXISTING CABLE SUPPORTS, COAX PORTS, INSTALLING NEW PORTS OR ANY OTHER EQUIPMENT, CONTRACTOR SHALL VERIFY ALL ASPECTS OF THE COMPONENTS MEET THE ATC SPECIFICATIONS.
3. IT IS THE RESPONSIBILITY OF THE CONTRACTOR TO COORDINATE WITH THE T-MOBILE REPRESENTATIVE AND LOCAL UTILITY COMPANY FOR THE INSTALLATION OF CONDUITS, CONDUCTORS, BREAKERS, DISCONNECTS, OR ANY OTHER EQUIPMENT REQUIRED FOR ELECTRICAL SERVICE. ALL ELECTRICAL WORK SHALL BE PERFORMED IN ACCORDANCE WITH LATEST EDITION OF THE STATE AND NATIONAL CODES, ORDINANCES AND REGULATIONS APPLICABLE TO THIS PROJECT.

LEGEND

⊗	GROUNDING TEST WELL
ATS	AUTOMATIC TRANSFER SWITCH
B	BOLLARD
CSC	CELL SITE CABINET
D	DISCONNECT
E	ELECTRICAL
F	FIBER
GEN	GENERATOR
G	GENERATOR RECEPTACLE
HH, V	HAND HOLE, VAULT
IB	ICE BRIDGE
K	KENTROX BOX
LC	LIGHTING CONTROL
M	METER
PB	PULL BOX
PP	POWER POLE
T	TELCO
TRN	TRANSFORMER
—	CHAINLINK FENCE

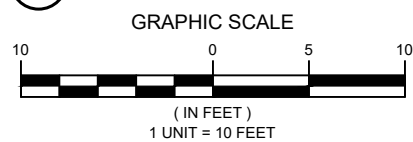


2
C-503 PROPOSED UNDERGROUND POWER AND TELCO CONDUITS ROUTED IN JOINT TRENCH ±100'-0"

PROPOSED CABLE NOTES:

1. ESTIMATED LENGTH OF PROPOSED CABLE IS ±302'. ESTIMATED LENGTH OF CABLE WAS PROVIDED BY CUSTOMER OR CALCULATED BY ADDING THE RAD CENTER AND THE DISTANCE FROM THE SHELTER ENTRY PLATE TO THE TOWER (ALONG THE ICE BRIDGE) AND A SAFETY FACTOR MEASUREMENT OF 15% (OF THE TWO PREVIOUS VALUES). CDS DEFER TO GREATEST CABLE LENGTH.
2. ROUTE PROPOSED CABLES ALONG SAME PATH AS EXISTING CABLES AND IN ACCORDANCE WITH STRUCTURAL ANALYSIS. WHERE POSSIBLE UTILIZE EXISTING CABLE SUPPORT STRUCTURES AS PROVIDED FOR CARRIER TO ADEQUATELY SECURE CABLES, USING EITHER APPROPRIATELY SIZED STAINLESS STEEL SNAP-INS OR MOUNTING HARDWARE AND BRACKETS AS SPECIFIED BY CABLE MANUFACTURER. OTHERWISE, ATTACH CABLES TO HORIZONTAL OR DIAGONAL TOWER MEMBERS USING PROPOSED STAINLESS STEEL ADAPTERS (DO NOT ATTACH TO TOWER LEG).

1 DETAILED COMPOUND PLAN



MORRISON HERSHFIELD
2 S UNIVERSITY DR., UNIT 245
PLANTATION, FL 33324
Tel: 954.577.4655
FL C OF A #8508
FL Architect business #AA26002368
www.morrisonhershfield.com

DO NOT SCALE DRAWING. CONTRACTOR MUST VERIFY ALL DIMENSIONS AND ADVISE CONSULTANTS OF ANY ERRORS OR OMISSIONS. THE INFORMATION CONTAINED IN THIS SET OF DOCUMENTS IS PROPRIETARY BY NATURE. ANY USE OR DISCLOSURE OTHER THAN WHICH IS RELATED TO NAMED CLIENT IS STRICTLY PROHIBITED. NEITHER THE ARCHITECT NOR THE ENGINEER WILL BE PROVIDING ON-SITE CONSTRUCTION REVIEW OF THIS PROJECT. ALL PREVIOUS ISSUES OF THIS DRAWING ARE SUPERSEDED BY THE LATEST REVISION.

REV.	DESCRIPTION	BY	DATE
A	PRELIM	NY	01/10/23
O	FINALS	MS	02/06/23

ATC SITE NUMBER:

417139

ATC SITE NAME:

COLUMBIA (CHARLES) FL

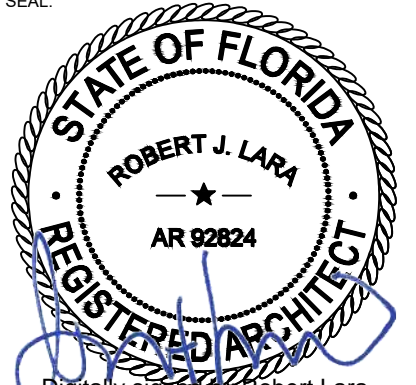
T-MOBILE SITE NAME:

9JK2817A (USA)

SITE ADDRESS:

CHARLES TERRACE
LAKE CITY, FL 32024

SEAL:



Digitally signed by Robert Lara
Date: 2023.02.06 18:42:20-05'00'

T Mobile

MH PROJ NO:	220329500
ATC PROJ. #:	14192636
CUST. ID:	9JK2817A (USA)
CUST. #:	9JK2817A

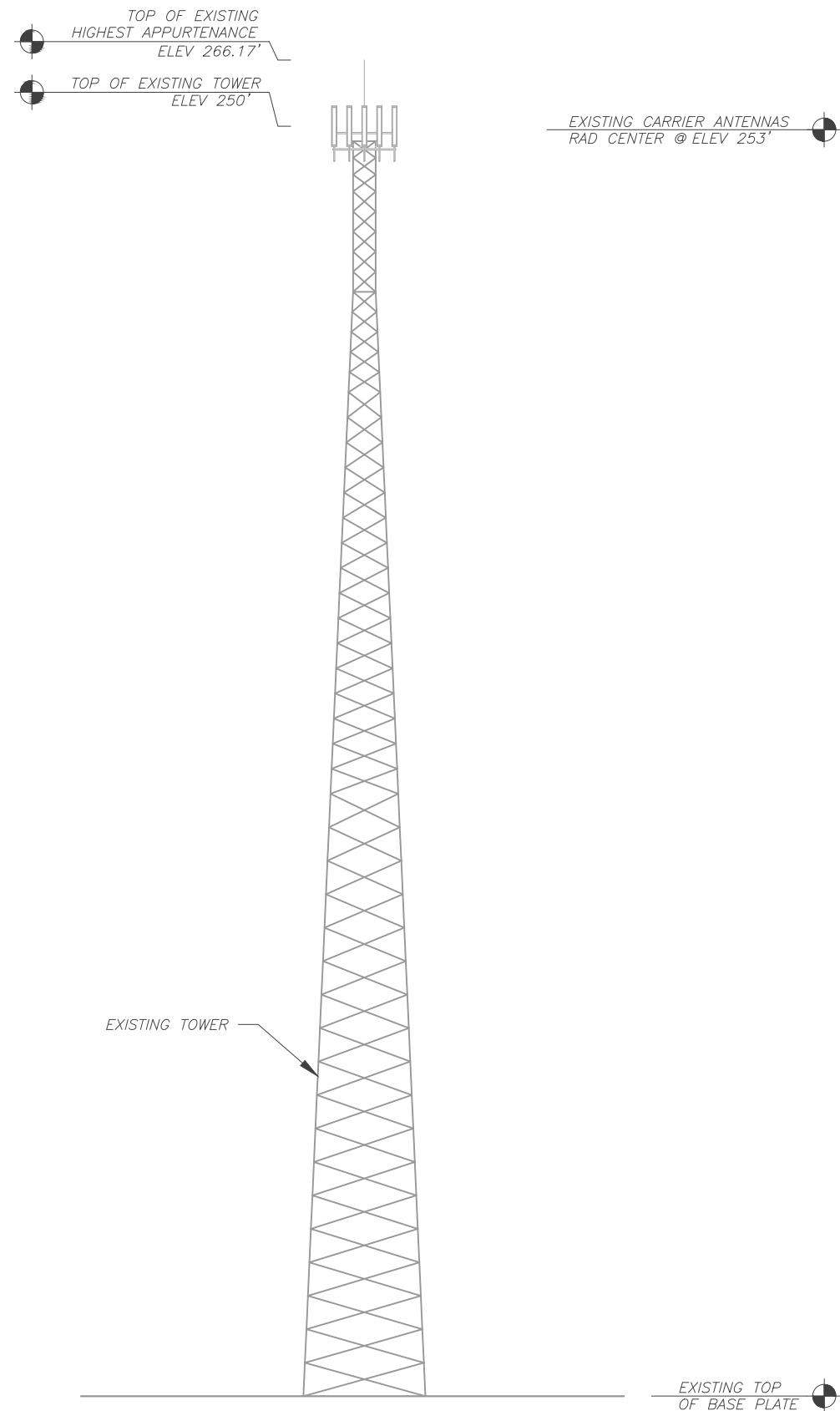
DETAILED COMPOUND PLAN

SHEET NUMBER:

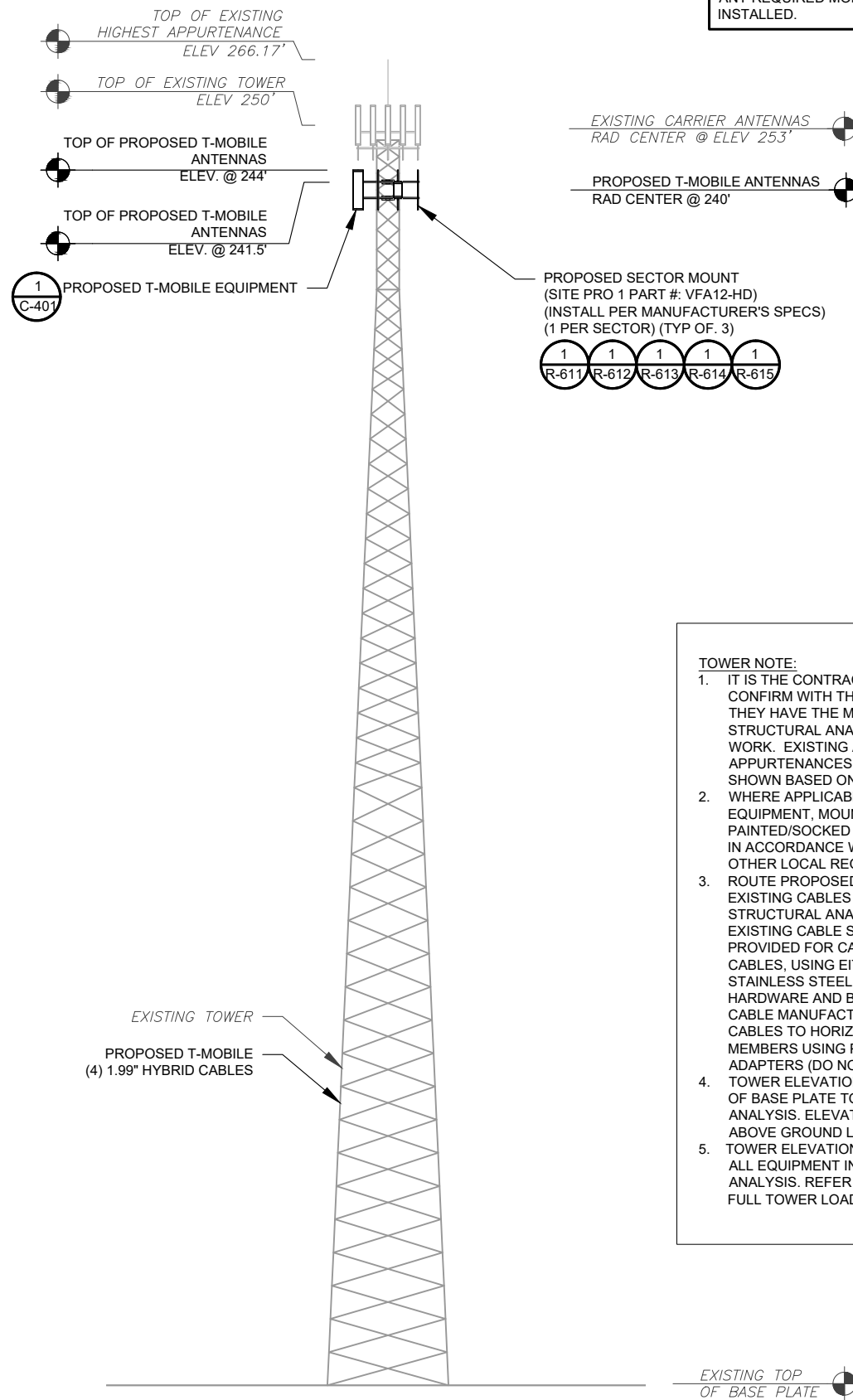
C-101

REVISION:

0



1 EXISTING TOWER ELEVATION
SCALE: N.T.S.

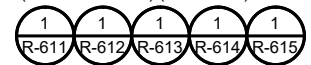


2 PORPOSED TOWER ELEVATION
SCALE: N.T.S.

MOUNT ANALYSIS FOR THIS PROJECT IS BEING COMPLETED IN A SEPARATE PROJECT. CONSTRUCTION IS NOT TO PROCEED UNTIL A PASSING MOUNT ANALYSIS IS COMPLETE AND ANY REQUIRED MODIFICATIONS HAVE BEEN INSTALLED.

TOWER NOTE:

- IT IS THE CONTRACTOR'S RESPONSIBILITY TO CONFIRM WITH THE PROJECT MANAGER THAT THEY HAVE THE MOST RECENT VERSION OF THE STRUCTURAL ANALYSIS BEFORE COMMENCING WORK. EXISTING AND PROPOSED TOWER APPURTENANCES, MOUNTS, AND ANTENNAS ARE SHOWN BASED ON THE STRUCTURAL ANALYSIS.
- WHERE APPLICABLE, ALL NEW ANTENNAS, EQUIPMENT, MOUNTS, CABLING, ETC. SHALL BE PAINTED/SOCKED TO MATCH EXISTING EQUIPMENT IN ACCORDANCE WITH FAA, JURISDICTION, AND/OR OTHER LOCAL REQUIREMENTS.
- ROUTE PROPOSED CABLES ALONG SAME PATH AS EXISTING CABLES AND IN ACCORDANCE WITH STRUCTURAL ANALYSIS. WHERE POSSIBLE UTILIZE EXISTING CABLE SUPPORT STRUCTURES AS PROVIDED FOR CARRIER TO ADEQUATELY SECURE CABLES, USING EITHER APPROPRIATELY SIZED STAINLESS STEEL SNAP-INS OR MOUNTING HARDWARE AND BRACKETS AS SPECIFIED BY CABLE MANUFACTURER. OTHERWISE, ATTACH CABLES TO HORIZONTAL OR DIAGONAL TOWER MEMBERS USING PROPOSED STAINLESS STEEL ADAPTERS (DO NOT ATTACH TO TOWER LEG).
- TOWER ELEVATIONS ARE MEASURED FROM TOP OF BASE PLATE TO MATCH STRUCTURAL ANALYSIS. ELEVATIONS DO NOT REFLECT TRUE ABOVE GROUND LEVEL (A.G.L.).
- TOWER ELEVATION DEPICTION MAY NOT REFLECT ALL EQUIPMENT INCLUDED IN STRUCTURAL ANALYSIS. REFER TO STRUCTURAL ANALYSIS FOR FULL TOWER LOADING.



MORRISON HERSHFIELD
2 S UNIVERSITY DR., UNIT 245
PLANTATION, FL 33324
Tel: 954.577.4655
FL C OF A #8508
FL Architect business #AA26002368
www.morrisonhershfield.com

DO NOT SCALE DRAWING. CONTRACTOR MUST VERIFY ALL DIMENSIONS AND ADVISE CONSULTANTS OF ANY ERRORS OR OMISSIONS. THE INFORMATION CONTAINED IN THIS SET OF DOCUMENTS IS PROPRIETARY BY NATURE. ANY USE OR DISCLOSURE OTHER THAN WHICH IS RELATED TO NAMED CLIENT IS STRICTLY PROHIBITED. NEITHER THE ARCHITECT NOR THE ENGINEER WILL BE PROVIDING ON-SITE CONSTRUCTION REVIEW OF THIS PROJECT. ALL PREVIOUS ISSUES OF THIS DRAWING ARE SUPERSEDED BY THE LATEST REVISION.

REV.	DESCRIPTION	BY	DATE
A	PRELIM	NY	01/10/23
0	FINALS	MS	02/06/23

ATC SITE NUMBER:
417139

ATC SITE NAME:
COLUMBIA (CHARLES) FL

T-MOBILE SITE NAME:
9JK2817A (USA)

SITE ADDRESS:
CHARLES TERRACE
LAKE CITY, FL 32024

SEAL:

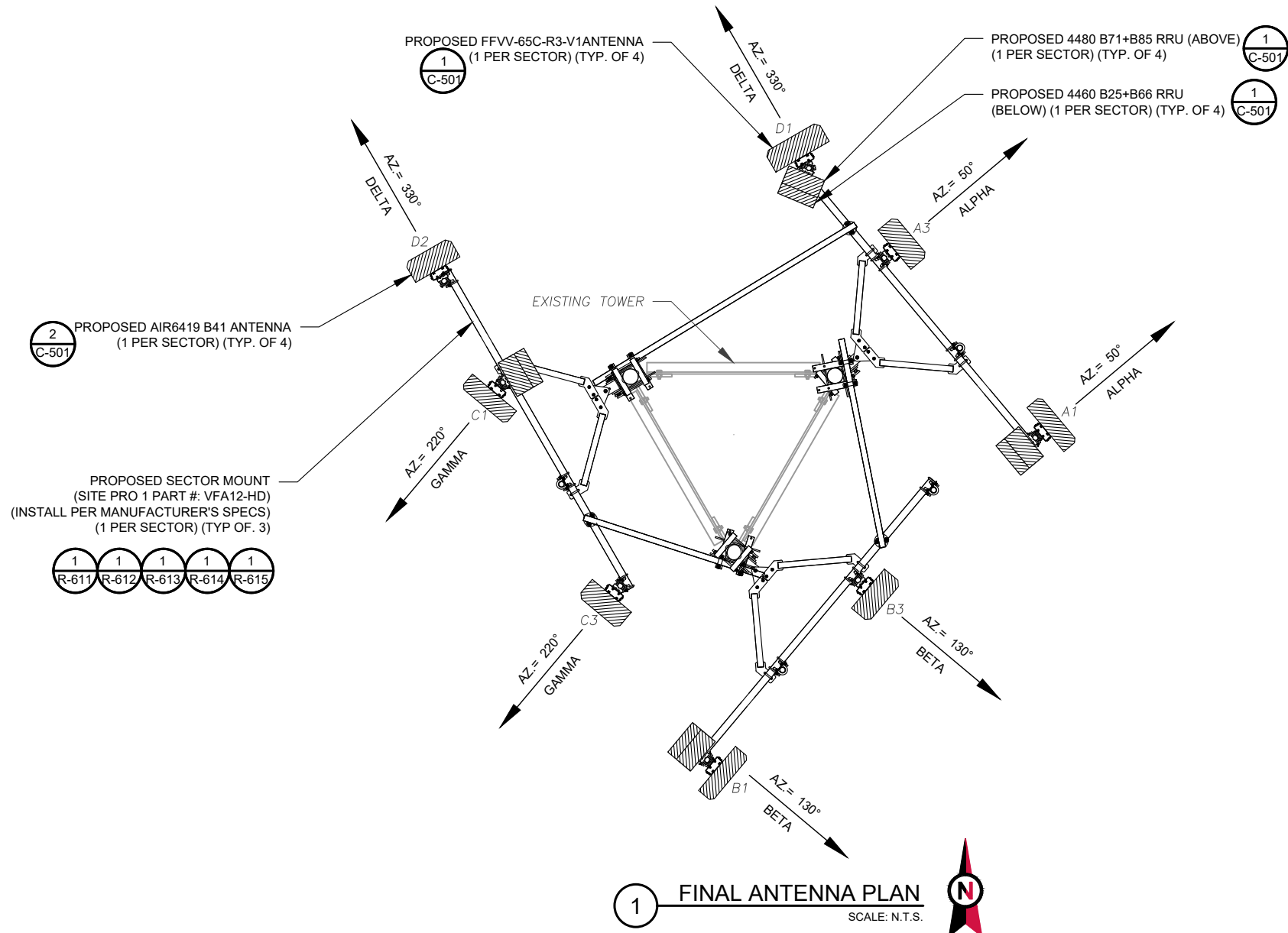
Digitally signed by Robert Lara
Date: 2023.02.06 18:42:34-05'00'

MH PROJ NO:	220329500
ATC PROJ. #:	14192636
CUST. ID:	9JK2817A (USA)
CUST. #:	9JK2817A

DETAILED COMPOUND PLAN

SHEET NUMBER: C-201	REVISION: 0
-------------------------------	-----------------------

Copyright © 2023 ATC IP, LLC. All Rights Reserved.



MOUNT ANALYSIS FOR THIS PROJECT IS BEING COMPLETED IN A SEPARATE PROJECT. CONSTRUCTION IS NOT TO PROCEED UNTIL A PASSING MOUNT ANALYSIS IS COMPLETE AND ANY REQUIRED MODIFICATIONS HAVE BEEN INSTALLED.

1 FINAL ANTENNA PLAN
SCALE: N.T.S.

FINAL ANTENNA/ COAX SCHEDULE								
SECTOR	RAD	AZ	POS.	ANTENNA	BAND	MECH/ELEC D-TILT	ADDITIONAL TOWER MOUNTED EQUIPMENT	CABLE DESCRIPTION
ALPHA	240°	50°	A1	FFVV-65C-R3-V1	L700/L600/N600/L2100/L1900/N1900	0°/-	(1) 4480 B71+B85 RRU (1) 4460 B25+B66 RRU	(4) 1.99" HYBRID CABLES
			A3	AIR 6419 B41	N2500	0°/-	-	
BETA	240°	130°	B1	FFVV-65C-R3-V1	L700/L600/N600/L2100/L1900/N1900	0°/-	(1) 4480 B71+B85 RRU (1) 4460 B25+B66 RRU	
			B3	AIR 6419 B41	N2500	0°/-	-	
GAMMA	240°	220°	C1	FFVV-65C-R3-V1	L700/L600/N600/L2100/L1900/N1900	0°/-	(1) 4480 B71+B85 RRU (1) 4460 B25+B66 RRU	
			C3	AIR 6419 B41	N2500	0°/-	-	
DELTA	240°	330°	D1	FFVV-65C-R3-V1	L700/L600/N600/L2100/L1900/N1900	0°/-	(1) 4480 B71+B85 RRU (1) 4460 B25+B66 RRU	
			D2	AIR 6419 B41	N2500	0°/-	-	

1. CONFIRM WITH CARRIER REP FOR APPLICABLE UPDATES/REVISIONS AND MOST RECENT RFDS.
2. ALL PROPOSED EQUIPMENT INCLUDING ANTENNAS, COAX, ETC. SHALL BE MOUNTED IN ACCORDANCE WITH THE TOWER STRUCTURAL ANALYSIS ON FILE WITH THE ATC CM.
3. SPACING OF PROPOSED EQUIPMENT SHALL BE CONFIRMED FOR TOWER CONFLICTS AND PROPOSED MOUNTS SHALL NOT IMPEDE TOWER CLIMBING PEGS.
4. INSTALL [TOWER JUNCTION BOX MODEL AND QUANTITY].

2 ANTENNA SCHEDULE

AMERICAN TOWER®
MORRISON HERSHFIELD
 2 S UNIVERSITY DR., UNIT 245
 PLANTATION, FL 33324
 Tel: 954.577.4655
 FL C OF A #8508
 FL Architect business #AA26002368
 www.morrisonhershfield.com

DO NOT SCALE DRAWING. CONTRACTOR MUST VERIFY ALL DIMENSIONS AND ADVISE CONSULTANTS OF ANY ERRORS OR OMISSIONS. THE INFORMATION CONTAINED IN THIS SET OF DOCUMENTS IS PROPRIETARY BY NATURE. ANY USE OR DISCLOSURE OTHER THAN WHICH IS RELATED TO NAMED CLIENT IS STRICTLY PROHIBITED. NEITHER THE ARCHITECT NOR THE ENGINEER WILL BE PROVIDING ON-SITE CONSTRUCTION REVIEW OF THIS PROJECT. ALL PREVIOUS ISSUES OF THIS DRAWING ARE SUPERSEDED BY THE LATEST REVISION.

REV.	DESCRIPTION	BY	DATE
A	PRELIM	NY	01/10/23
0	FINALS	MS	02/06/23

ATC SITE NUMBER:
417139
 ATC SITE NAME:
COLUMBIA (CHARLES) FL
 T-MOBILE SITE NAME:
9JK2817A (USA)
 SITE ADDRESS:
CHARLES TERRACE
LAKE CITY, FL 32024

SEAL:



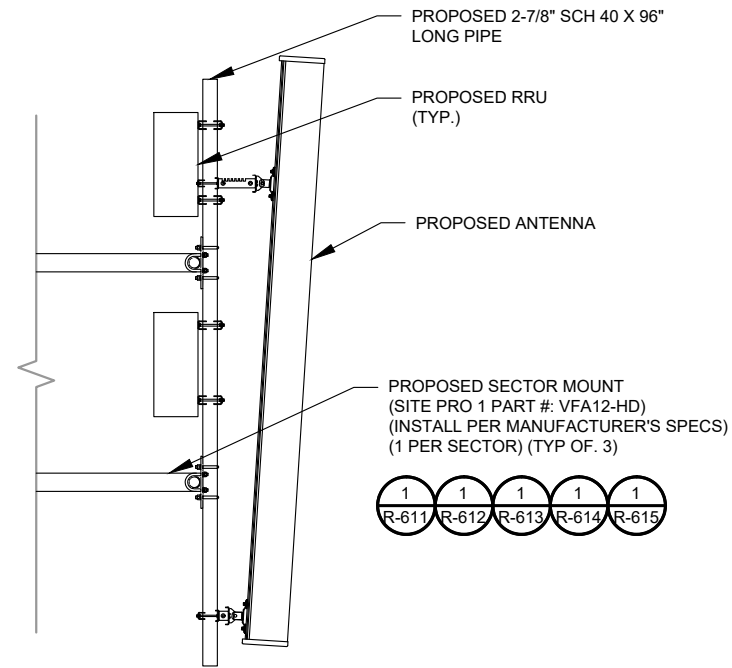
MH PROJ NO:	220329500
ATC PROJ. #:	14192636
CUST. ID:	9JK2817A (USA)
CUST. #:	9JK2817A

ANTENNA INFORMATION & SCHEDULE

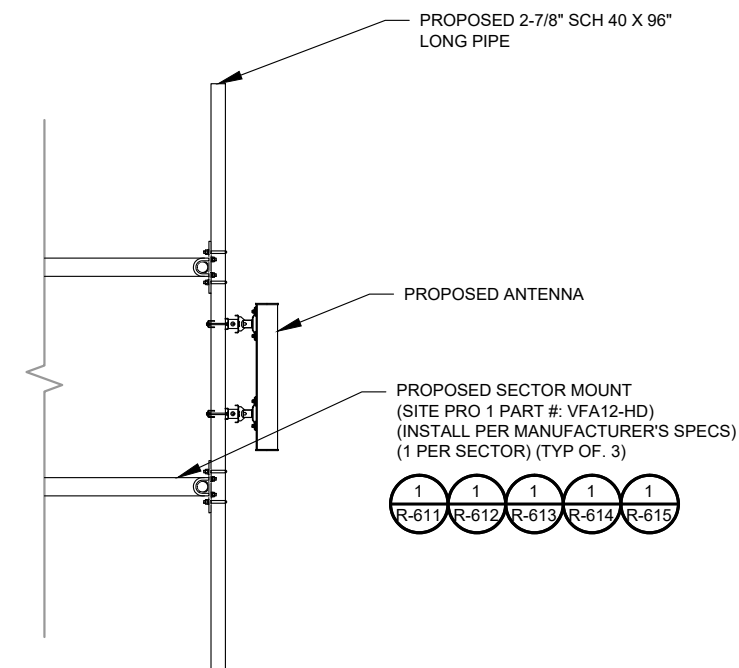
SHEET NUMBER: C-401	REVISION: 0
-------------------------------	-----------------------

Copyright © 2023 ATC IP, LLC. All Rights Reserved.

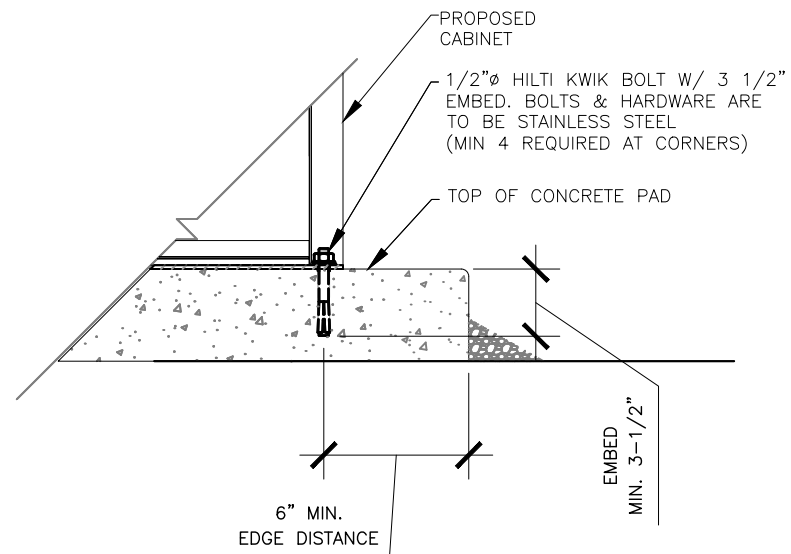
MOUNT ANALYSIS FOR THIS PROJECT IS BEING COMPLETED IN A SEPARATE PROJECT. CONSTRUCTION IS NOT TO PROCEED UNTIL A PASSING MOUNT ANALYSIS IS COMPLETE AND ANY REQUIRED MODIFICATIONS HAVE BEEN INSTALLED.



1 PROPOSED ANTENNA AND RRU MOUNTING DETAIL - TYPICAL
SCALE: N.T.S.



2 PROPOSED 5G ANTENNA MOUNTING DETAIL - TYPICAL
SCALE: N.T.S.



3 CABINET ANCHORING DETAIL
SCALE: N.T.S.

AMERICAN TOWER®

MORRISON HERSHFIELD
2 S UNIVERSITY DR., UNIT 245
PLANTATION, FL 33324
Tel: 954.577.4655
FL C OF A #8508
FL Architect business #AA26002368
www.morrisonhershfield.com

DO NOT SCALE DRAWING. CONTRACTOR MUST VERIFY ALL DIMENSIONS AND ADVISE CONSULTANTS OF ANY ERRORS OR OMISSIONS. THE INFORMATION CONTAINED IN THIS SET OF DOCUMENTS IS PROPRIETARY BY NATURE. ANY USE OR DISCLOSURE OTHER THAN WHICH IS RELATED TO NAMED CLIENT IS STRICTLY PROHIBITED. NEITHER THE ARCHITECT NOR THE ENGINEER WILL BE PROVIDING ON-SITE CONSTRUCTION REVIEW OF THIS PROJECT. ALL PREVIOUS ISSUES OF THIS DRAWING ARE SUPERSEDED BY THE LATEST REVISION.

REV.	DESCRIPTION	BY	DATE
A	PRELIM	NY	01/10/23
0	FINALS	MS	02/06/23

ATC SITE NUMBER:
417139

ATC SITE NAME:
COLUMBIA (CHARLES) FL

T-MOBILE SITE NAME:
9JK2817A (USA)

SITE ADDRESS:
CHARLES TERRACE
LAKE CITY, FL 32024

SEAL:

T Mobile

MH PROJ NO: 220329500
ATC PROJ. #: 14192636
CUST. ID: 9JK2817A (USA)
CUST. #: 9JK2817A

MOUNT DETAILS

SHEET NUMBER: **C-501** REVISION: **0**

Copyright © 2023 ATC IP, LLC. All Rights Reserved.



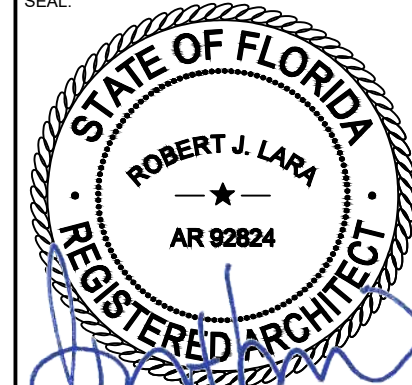
2 S UNIVERSITY DR., UNIT 245
PLANTATION, FL 33324
Tel: 954.577.4655
FL C OF A #8508
FL Architect business #AA26002368
www.morrisonhershfield.com

DO NOT SCALE DRAWING. CONTRACTOR MUST VERIFY ALL DIMENSIONS AND ADVISE CONSULTANTS OF ANY ERRORS OR OMISSIONS. THE INFORMATION CONTAINED IN THIS SET OF DOCUMENTS IS PROPRIETARY BY NATURE. ANY USE OR DISCLOSURE OTHER THAN WHICH IS RELATED TO NAMED CLIENT IS STRICTLY PROHIBITED. NEITHER THE ARCHITECT NOR THE ENGINEER WILL BE PROVIDING ON-SITE CONSTRUCTION REVIEW OF THIS PROJECT. ALL PREVIOUS ISSUES OF THIS DRAWING ARE SUPERSEDED BY THE LATEST REVISION.

REV.	DESCRIPTION	BY	DATE
A	PRELIM	NY	01/10/23
O	FINALS	MS	02/06/23

ATC SITE NUMBER:
417139
ATC SITE NAME:
COLUMBIA (CHARLES) FL
T-MOBILE SITE NAME:
9JK2817A (USA)
SITE ADDRESS:
CHARLES TERRACE
LAKE CITY, FL 32024

SEAL:



Digitally signed by Robert Lara
Date: 2023.02.06 18:43:31-05'00'



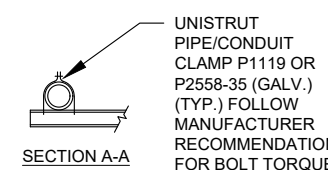
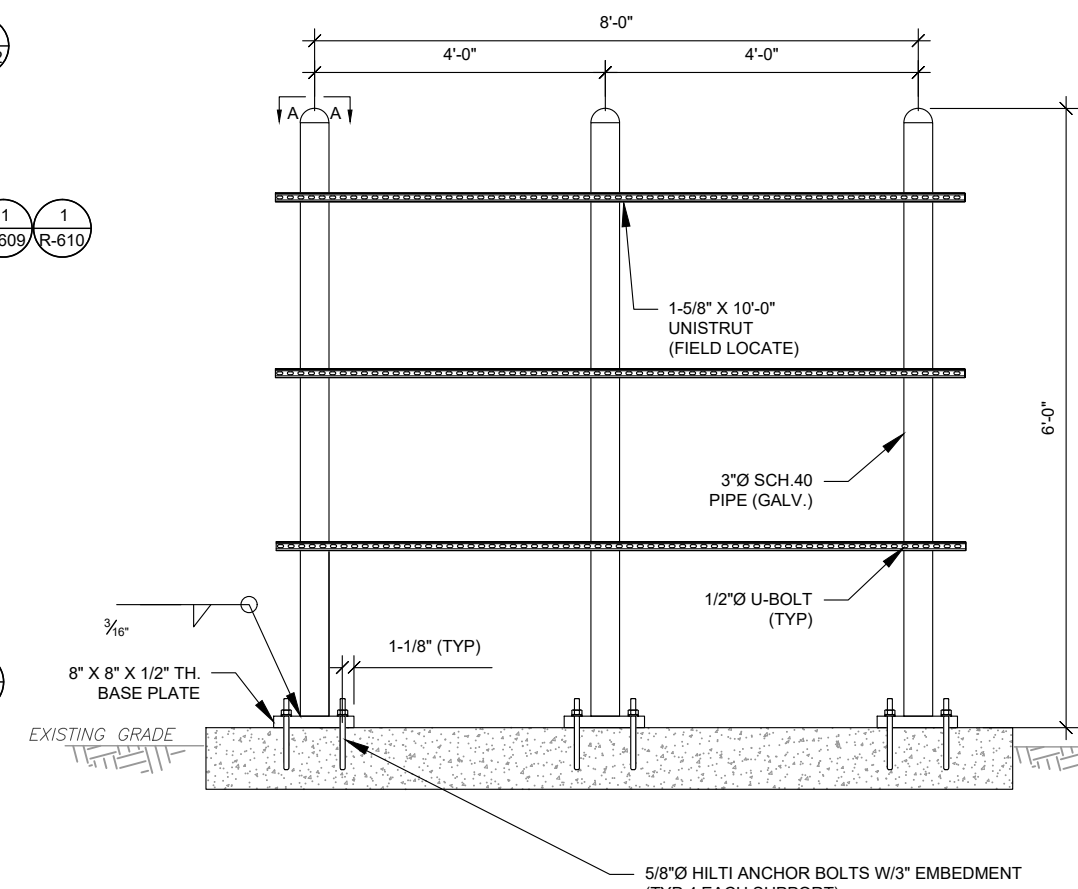
MH PROJ NO:	220329500
ATC PROJ. #:	14192636
CUST. ID:	9JK2817A (USA)
CUST. #:	9JK2817A

CONSTRUCTION DETAILS

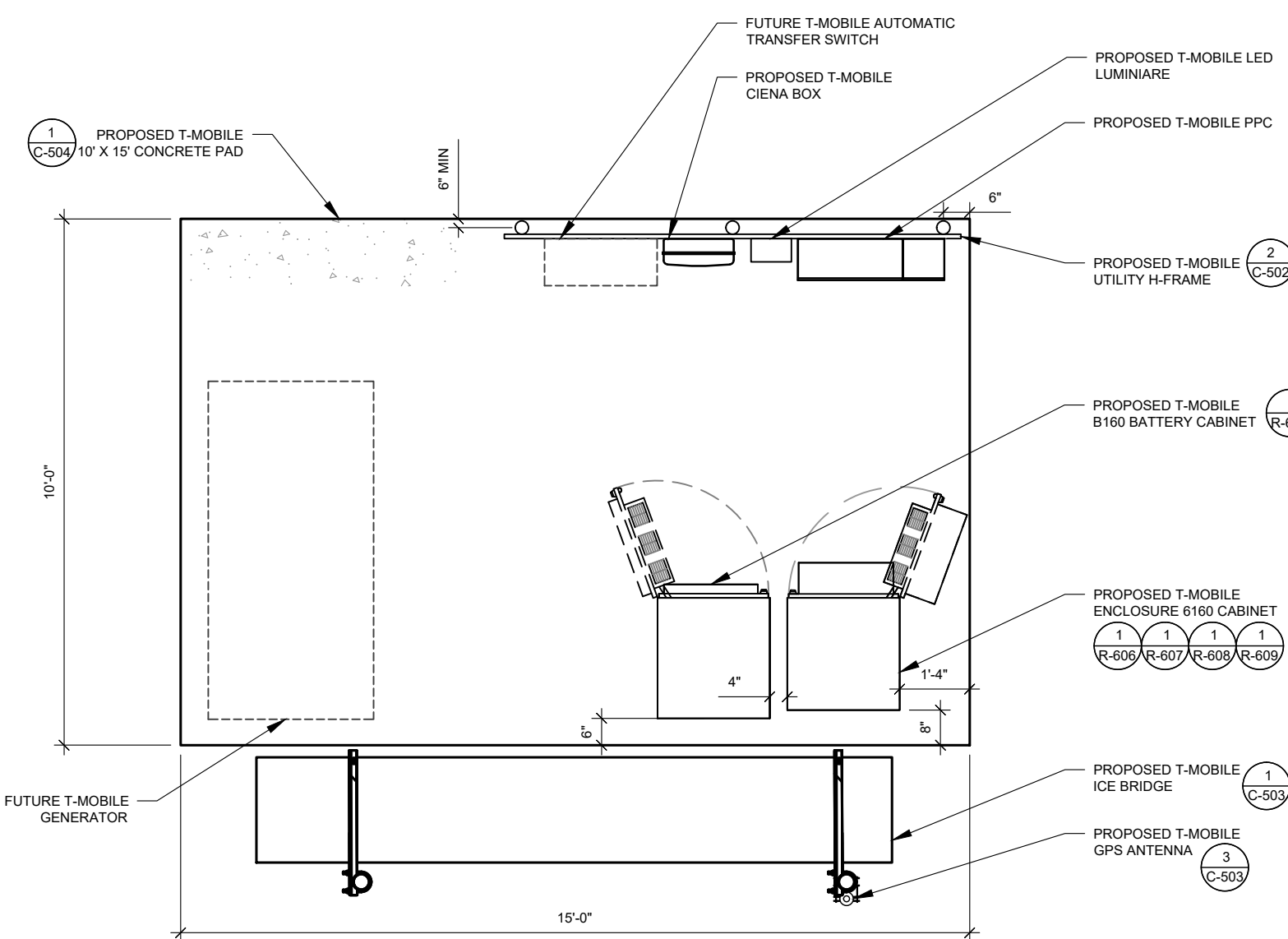
SHEET NUMBER:	REVISION:
C-502	0

H-FRAME NOTES:

- IF IT IS NECESSARY TO EXTEND THE H-FRAME, AN ADDITIONAL POST WILL ALWAYS BE REQUIRED.
- PROPOSED UNISTRUTS TO BE FIELD CUT AND SHOULD NOT EXTEND MORE THAN 6 INCHES BEYOND THE LAST POST.
- SPRAY ENDS OF UNISTRUT WITH COLD GALVANIZING SPRAY PAINT, ALLOW TO DRY, THEN COVER WITH RUBBER PROTECTIVE CAPS FOR SAFETY.
- UNISTRUT TO BE CUT FLUSH WITH NO SHARP OR JAGGED EDGES.
- ALL PROPOSED HARDWARE TO BE MOUNTED PER MANUFACTURERS SPECS.



2 TYPICAL H-FRAME DETAIL
SCALE: NOT TO SCALE

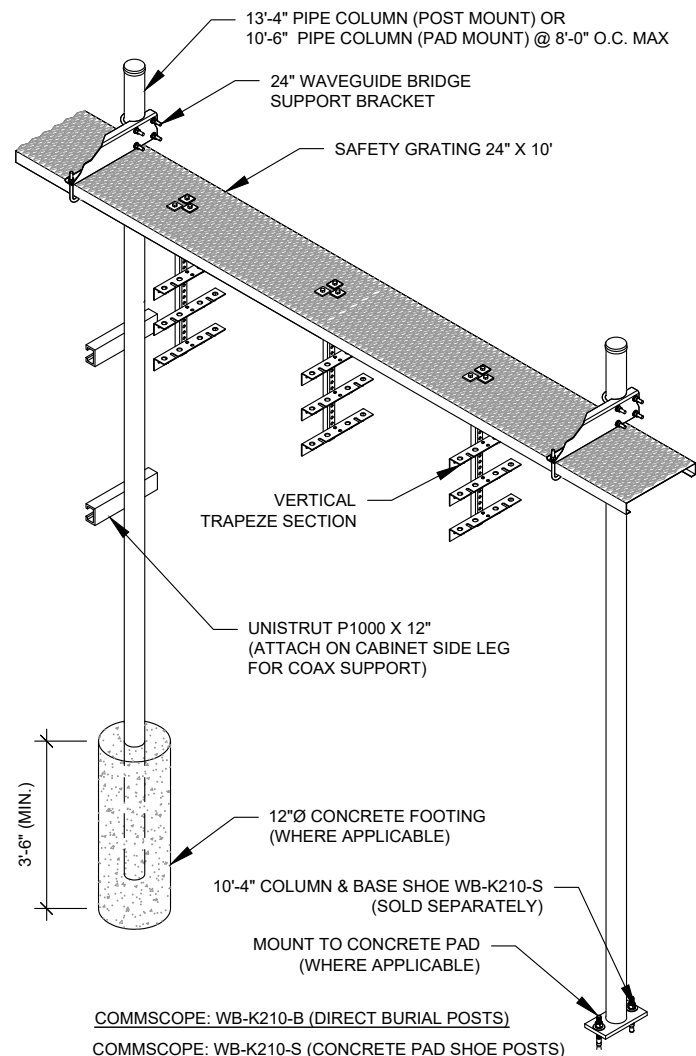


NOTE:
1. CABINETS SHALL BE ORIENTED AND INSTALLED EXACTLY AS SHOWN
2. WEIGHT OF BTS UNIT IS 1,060 LBS (WEIGHT IS WITHOUT EQUIPMENT)

1 DETAILED EQUIPMENT LAYOUT
SCALE: N.T.S.



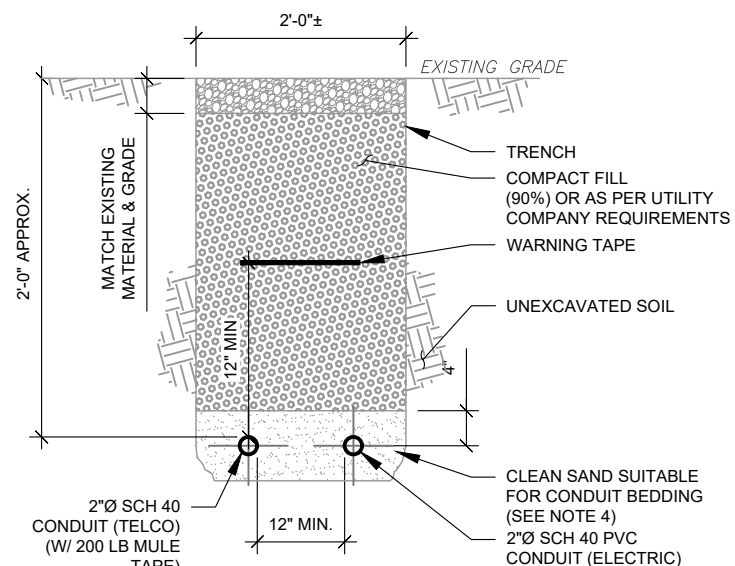
Copyright © 2023 ATC IP, LLC. All Rights Reserved.



CONSTRUCTION NOTE:

1. INSTALL ICE BRIDGE TO ALLOW 7 FEET CLEARANCE ABOVE GRADE TO LOWEST APPURTENANCE.
2. INSTALL PER MANUFACTURES SPECIFICATION.

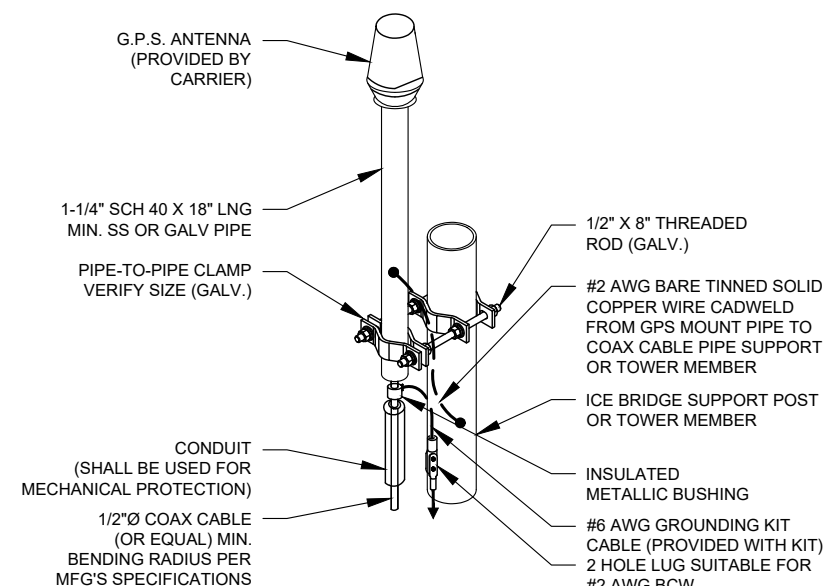
1 WAVEGUIDE BRIDGE KIT
SCALE: N.T.S.



TRENCH NOTES:

1. IF FREE OF ORGANIC OR OTHER DELETERIOUS MATERIAL, EXCAVATED MATERIAL MAY BE USED FOR BACKFILL.
2. IF NOT, PROVIDE CLEAN, COMPACTIBLE MATERIAL. COMPACT IN 8" LIFTS. REMOVE ANY LARGE ROCKS PRIOR TO BACKFILLING. CONTRACTOR TO VERIFY LOCATION OF EXISTING U/G UTILITIES PRIOR TO DIGGING.
3. IF CURRENT AS-BUILT DRAWINGS ARE NOT AVAILABLE CONTRACTOR SHALL HAND DIG U/G TRENCHING.
4. CONCRETE ENCASE CONDUIT WHEN TRENCHING UNDER SITE ACCESS ROAD.

2 TELCO AND POWER CONDUIT JOINT TRENCH
SCALE: N.T.S.



NOTE:

1. GPS SHALL BE PLACED WITH CLEAR SIGHT LINE TO THE SOUTHERN SKY.
2. CONTRACTOR TO SUPPLY COAX FOR GPS UNIT.

3 GPS ANTENNA ATTACHMENT DETAIL
SCALE: N.T.S.



MORRISON HERSHFIELD
2 S UNIVERSITY DR., UNIT 245
PLANTATION, FL 33324
Tel: 954.577.4655
FL C OF A #8508
FL Architect business #AA26002368
www.morrisonhershfield.com

DO NOT SCALE DRAWING. CONTRACTOR MUST VERIFY ALL DIMENSIONS AND ADVISE CONSULTANTS OF ANY ERRORS OR OMISSIONS. THE INFORMATION CONTAINED IN THIS SET OF DOCUMENTS IS PROPRIETARY BY NATURE. ANY USE OR DISCLOSURE OTHER THAN WHICH IS RELATED TO NAMED CLIENT IS STRICTLY PROHIBITED. NEITHER THE ARCHITECT NOR THE ENGINEER WILL BE PROVIDING ON-SITE CONSTRUCTION REVIEW OF THIS PROJECT. ALL PREVIOUS ISSUES OF THIS DRAWING ARE SUPERSEDED BY THE LATEST REVISION.

REV.	DESCRIPTION	BY	DATE
A	PRELIM	NY	01/10/23
O	FINALS	MS	02/06/23

ATC SITE NUMBER:

417139

ATC SITE NAME:

COLUMBIA (CHARLES) FL

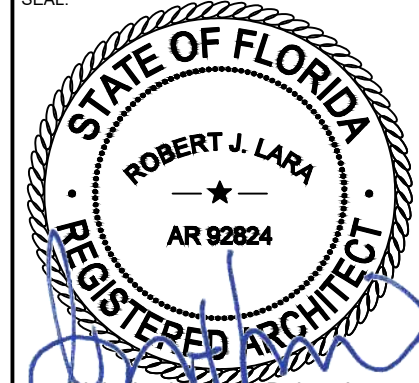
T-MOBILE SITE NAME:

9JK2817A (USA)

SITE ADDRESS:

CHARLES TERRACE
LAKE CITY, FL 32024

SEAL:



Digitally signed by Robert Lara
Date: 2023.02.06 18:43:44-05'00'



MH PROJ NO:	220329500
ATC PROJ. #:	14192636
CUST. ID:	9JK2817A (USA)
CUST. #:	9JK2817A

**CONSTRUCTION
DETAILS**

SHEET NUMBER:	REVISION:
C-503	0

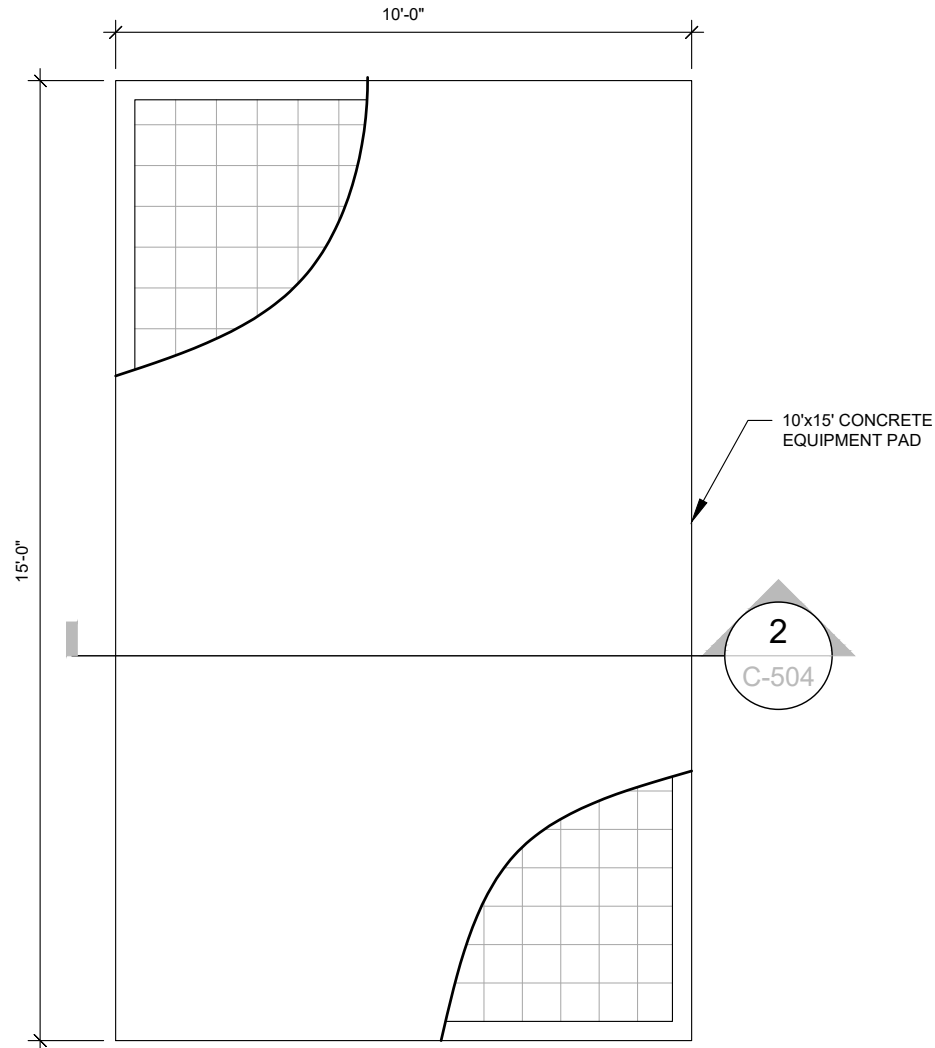
Copyright © 2023 ATC IP, LLC. All Rights Reserved.

CONTRACTOR NOTES:

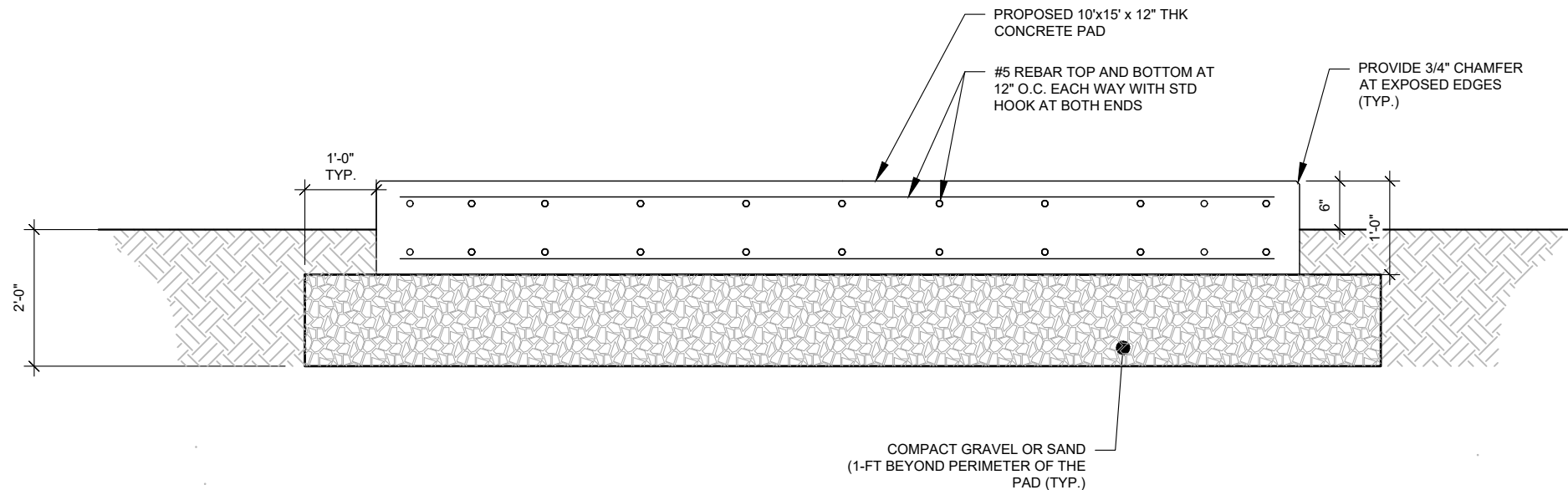
1. ALL CONCRETE FOR SLAB FOUNDATION SHALL BE 3000 P.S.I. (MIN.)
2. IF BUILDER SET DATE WILL BE WITHIN 24 HRS OF SLAB POUR THEN SITE CONTRACTOR SHALL USE 5000 P.S.I. CONCRETE (MIN.) TO OBTAIN MIN. 1800 P.S.I. CONCRETE WITHIN THE ALLOTTED 48 HOURS. (NO EXCEPTIONS)
3. ELECTRICAL CONTRACTOR SHALL COORDINATE STUB-UP LOCATIONS WITH PROPOSED EQUIPMENT. (FIELD VERIFY AT STAGING YARD.)
4. CONTRACTOR SHALL ANCHOR EQUIPMENT PER MANUFACTURES RECOMMENDATIONS.
5. ALL FOUNDATIONS SHALL BE POURED WITHIN A 1/4" OF LEVEL IN ALL DIRECTIONS AND SMOOTH FINISHED.

FOUNDATION NOTES:

1. COMPRESSIVE STRENGTH OF CONCRETE SHALL BE 3000-PSI AT 28-DAY CURE, AND SHALL MEET SPECIFICATION FOR READY-MIXED CONCRETE (ASTM C94). CONCRETE SHALL BE PLACED AND CURED AS PER ACI-318 " BUILDING CODE REQUIREMENTS FOR REINFORCED CONCRETE".
2. CONCRETE SLUMP SHALL RANGE BETWEEN 4 INCHES TO 8 INCHES.
3. ALL CONCRETE WORK SHALL CONFORM TO ACI 318 BUILDING CODE REQUIREMENTS FOR REINFORCED CONCRETE.
4. THE SURFACE, OVER WHICH THE CONCRETE WILL BE POURED, SHALL BE CLEAN OF LOOSE MATERIAL AND LEVELED PRIOR TO CONCRETE PLACEMENT.
5. CONCRETE SHALL BE PLACED IN A MANNER THAT WILL PREVENT SEGREGATION OF CONCRETE MATERIALS AND OTHER OCCURRENCES THAT MAY DECREASE THE STRENGTH OR DURABILITY OF THE FOUNDATION.
6. MECHANICALLY VIBRATE CONCRETE, PARTICULARLY WHEN POURED IN DIFFERENT LIFTS, TO ENSURE CONSOLIDATION AND TO AVOID JOINTS.
7. ALL REINFORCING STEEL BARS SHALL BE DOMESTIC, NEW BILLET STEEL, ASTM A-615, GRADE 60. REINFORCING SHALL BE DETAILED AND FABRICATED IN ACCORDANCE WITH ACI 315-LATEST EDITION - "MANUAL OF STANDARD FOR DETAILING REINFORCED CONCRETE".
8. ALL LOAD BEARING FOOTING SHALL BEAR ON TOP OF COMPACTED SOIL.
9. WELDING OF REINFORCING BARS AND DOWEL BARS IS PROHIBITED UNLESS OTHERWISE APPROVED BY ENGINEER.
10. PRIOR TO THE EXCAVATION, CHECK AREA FOR LOCATION OF UNDERGROUND PIPES, CABLES, ETC.



1 CONCRETE PAD LAYOUT
SCALE: NOT TO SCALE



2 CONCRETE PAD SECTION
SCALE: NOT TO SCALE

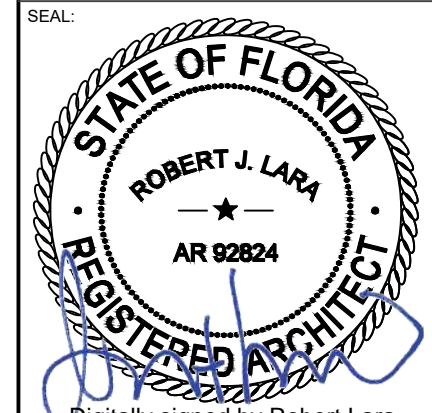


MORRISON HERSHFIELD
2 S UNIVERSITY DR., UNIT 245
PLANTATION, FL 33324
Tel: 954.577.4655
FL C OF A #8508
FL Architect business #AA26002368
www.morrisonhershfield.com

DO NOT SCALE DRAWING. CONTRACTOR MUST VERIFY ALL DIMENSIONS AND ADVISE CONSULTANTS OF ANY ERRORS OR OMISSIONS. THE INFORMATION CONTAINED IN THIS SET OF DOCUMENTS IS PROPRIETARY BY NATURE. ANY USE OR DISCLOSURE OTHER THAN WHICH IS RELATED TO NAMED CLIENT IS STRICTLY PROHIBITED. NEITHER THE ARCHITECT NOR THE ENGINEER WILL BE PROVIDING ON-SITE CONSTRUCTION REVIEW OF THIS PROJECT. ALL PREVIOUS ISSUES OF THIS DRAWING ARE SUPERSEDED BY THE LATEST REVISION.

REV.	DESCRIPTION	BY	DATE
A	PRELIM	NY	01/10/23
B	FINALS	MS	02/06/23

ATC SITE NUMBER:
417139
ATC SITE NAME:
COLUMBIA (CHARLES) FL
T-MOBILE SITE NAME:
9JK2817A (USA)
SITE ADDRESS:
CHARLES TERRACE
LAKE CITY, FL 32024



Digitally signed by Robert Lara
Date: 2023.02.06 18:43:58-05'00'



MH PROJ NO:	220329500
ATC PROJ. #:	14192636
CUST. ID:	9JK2817A (USA)
CUST. #:	9JK2817A

CIVIL DETAILS

SHEET NUMBER:	REVISION:
C-504	0

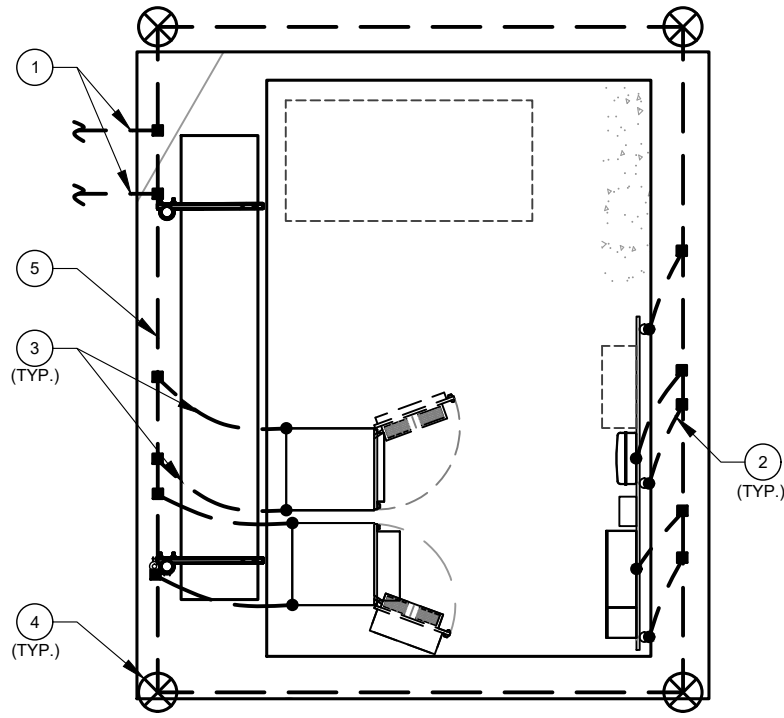
GROUNDING NOTES:

1. ALL EQUIPMENT ENCLOSURES, DEVICES AND CONDUITS SHALL BE GROUNDED TO CONFORM WITH THE LATEST REQUIREMENTS OF THE NEC BY THE INSTALLATION OF A SEPARATE, GREEN, INSULATED GROUND CONDUCTOR FOR ALL FEEDER AND BRANCH CIRCUITS. GROUND CONDUCTORS SHALL BE OF THE SIZE INDICATED ON THE DRAWINGS. GROUND CONDUCTORS SHALL BE CONTINUOUS IN LENGTH AND SHALL BE BONDED TO EACH ENCLOSURE THEY PASS THROUGH. CONDUIT SHALL NOT BE USED AS A GROUNDING CONDUCTOR.
2. GROUNDING CONDUCTORS SHALL:
 - A. BE #2 AWG SOLID BARE TINNED COPPER (SBTC) FOR ALL GROUNDING SYSTEM WIRE UNLESS OTHERWISE NOTED, OR OTHERWISE REQUIRED BY CODE.
 - B. BE MINIMUM 12" BEND RADIUS. KEEP NUMBER OF BENDS TO A MINIMUM.
 - C. AVOID LONG BONDING CONNECTION RUNS. MAKE DIRECT AS POSSIBLE.
 - D. NOT HAVE ANY U-SHAPED RUNS.
 - E. BE IN NON-METALLIC CONDUIT ONLY, IF IN CONDUIT.
 - F. BE PLACED THROUGH NON-METALLIC SLEEVES IN FLOORS, WALLS, CEILINGS, ETC.
 - G. PROTECTED IN NON-METALLIC CONDUIT WHERE EXPOSED ABOVE GRADE.
2. INSTALL ALL GROUNDING RINGS AND RADIALS WITH CONDUCTIVE CEMENT, SANKOSHA AS DISTRIBUTED BY ELECTRIC MOTION COMPANY, INC., WINSTED, CT 06098, OR AS SPECIFICALLY INDICATED. INSTALL PER MANUFACTURER'S SPECIFICATIONS.
3. GROUND RINGS SHALL BE:
 - A. MINIMUM 30" BELOW GRADE, OR BELOW FROST LINE WHICHEVER IS DEEPER.
 - B. MINIMUM 2' FROM FOUNDATIONS, FOOTINGS, OTHER GROUNDING SYSTEMS AND ALL CONDUCTIVE OBJECTS.
 - C. WITH MINIMUM 12" BEND RADII.
 - D. WITH ALL CONNECTIONS IN CONTACT WITH EARTH, BONDED BY EXOTHERMIC WELDING.
 - E. BONDED TO A SINGLE POINT GROUND (SPG) WITH A SINGLE WIRE AS INDICATED ON DRAWINGS.
4. GROUND RODS SHALL BE:
 - A. MINIMUM 5/8" DIAMETER.
 - B. MINIMUM 10' LONG.
 - C. COPPER-CLAD GALVANIZED STEEL OR STAINLESS STEEL.
 - D. PLACED IN UNDISTURBED SOIL AND BELOW THE FROST LINE.
 - E. INSTALLED WITH MINIMUM SEPARATION DISTANCE OF TWICE THE DEPTH OF THE ROD(S), OR AS INDICATED ON DRAWINGS.
 - F. MINIMUM TWO (2) RODS ON THE TOWER RING OR ONE (1) PER LEG WHICHEVER IS LARGER, MINIMUM FOUR (4) RODS ON EVERY EQUIPMENT BUILDING RING WITH ONE AT EACH CORNER OR AS INDICATED, MINIMUM ONE (1) ROD FOR POWER SERVICE GROUNDING ELECTRODE, AND MINIMUM ONE (1) ROD AT END OF EACH RADIAL.
5. CONDUCTIVE OBJECTS, SUCH AS FENCES, SHALL BE BONDED TO THE GROUNDING SYSTEM IF WITHIN 20' OF THE TOWER GROUNDING SYSTEM, OR 5' OF ANY OTHER GROUNDED COMPONENT.

EQUIPMENT POWER NOTES:

- ① 2" CONDUIT W/ 3-#3/0 CU, (1) #6 AWG G, PPC POWER
- ② 2" CONDUIT W/ MULE TAPE FOR TELCO FEEDER SERVICE TO TELCO SOURCE PER UTILITY
- ③ 2-#12, 1-#12G IN 1" CONDUIT FROM PPC TO 6160
- ④ 2-#3/0, 1-#6 IN 2" CONDUIT
- ⑤ 2" CONDUIT, FOR FIBER FROM AAV TO 6160
- ⑥ 2" CONDUIT W/ 3-#3/0 CU UTILITY SUPPLY

PROPOSED GROUND ELECTRODE CONDUCTOR BONDED TO MIN. (2) 5/8" DIA. x 8'-0" L COPPER CLAD GROUND RODS SPACED A MIN. OF 6'-0" APART AND BONDED TO GROUND RING



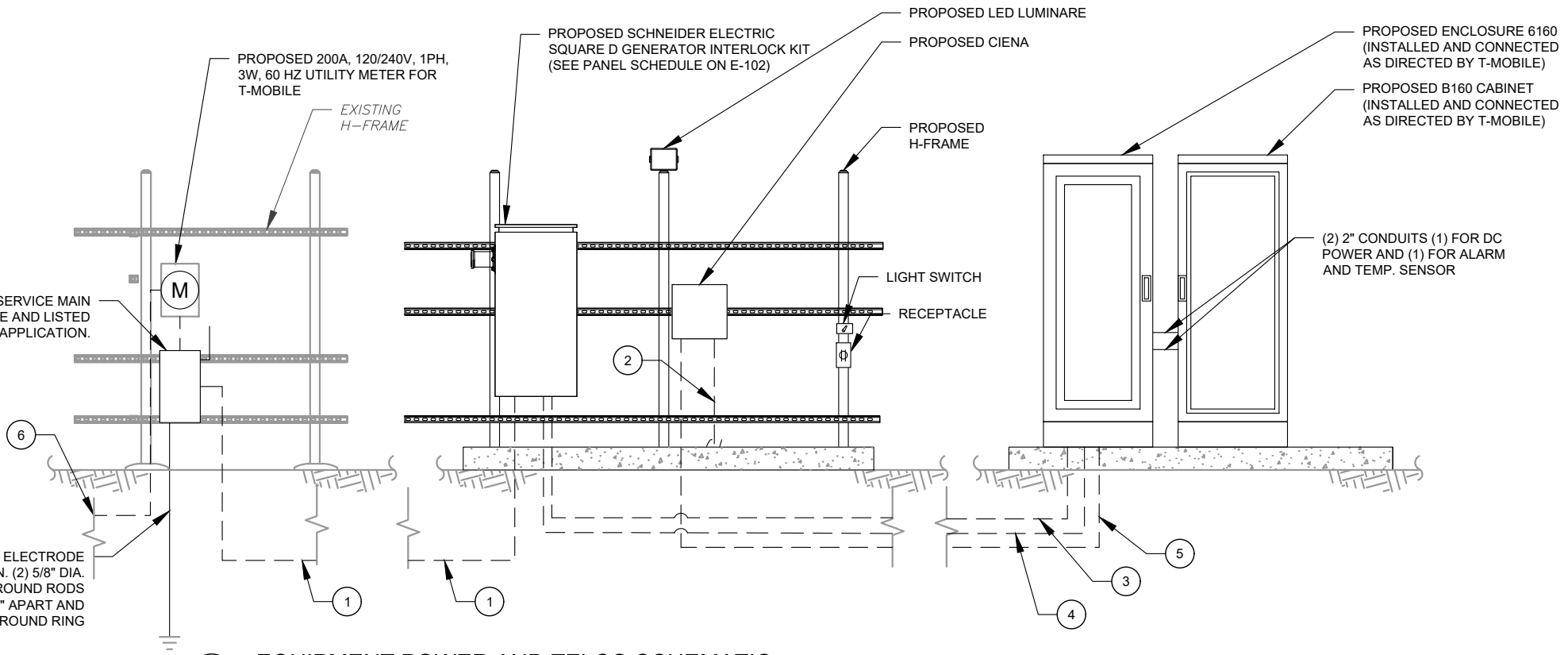
① DETAILED GROUNDING PLAN
SCALE: N.T.S.

GROUNDING PLAN LEGEND:

—	EXISTING GROUND WIRE	⊗	5/8"Ø X 10' COPPER GROUND ROD
—	GROUND WIRE	⊗	TEST WELL
■	EXOTHERMIC WELD		
●	MECHANICAL WELD		

GROUNDING KEYED NOTES:

- ① BOND TO TOWER GROUND RING W/ (2) #2 AWG SBTC CONDUCTORS.
- ② #2 AWG BOND FROM VERTICAL H-FRAME AND ICE BRIDGE POST TO EXTERNAL GROUND RING (TYP. EVERY POST).
- ③ #2 AWG SBTC EQUIPMENT BOND TO GROUND RING (TYP.)
- ④ 5/8"Ø X 10 FT GROUND ROD.
- ⑤ #2 AWG SBTC GROUND RING.



② EQUIPMENT POWER AND TELCO SCHEMATIC
SCALE: N.T.S.



MORRISON HERSHFIELD
2 S UNIVERSITY DR., UNIT 245
PLANTATION, FL 33324
Tel: 954.577.4655
FL C OF A #8508
FL Architect business #AA26002368
www.morrisonhershfield.com

DO NOT SCALE DRAWING. CONTRACTOR MUST VERIFY ALL DIMENSIONS AND ADVISE CONSULTANTS OF ANY ERRORS OR OMISSIONS. THE INFORMATION CONTAINED IN THIS SET OF DOCUMENTS IS PROPRIETARY BY NATURE. ANY USE OR DISCLOSURE OTHER THAN WHICH IS RELATED TO NAMED CLIENT IS STRICTLY PROHIBITED. NEITHER THE ARCHITECT NOR THE ENGINEER WILL BE PROVIDING ON-SITE CONSTRUCTION REVIEW OF THIS PROJECT. ALL PREVIOUS ISSUES OF THIS DRAWING ARE SUPERSEDED BY THE LATEST REVISION.

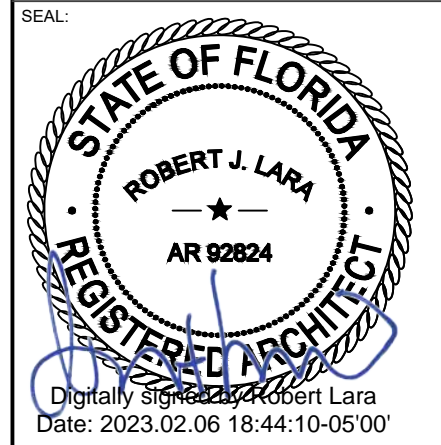
REV.	DESCRIPTION	BY	DATE
△	PRELIM	NY	01/10/23
△	FINALS	MS	02/06/23
△			
△			

ATC SITE NUMBER:
417139

ATC SITE NAME:
COLUMBIA (CHARLES) FL

T-MOBILE SITE NAME:
9JK2817A (USA)

SITE ADDRESS:
CHARLES TERRACE
LAKE CITY, FL 32024



MH PROJ NO:	220329500
ATC PROJ. #:	14192636
CUST. ID:	9JK2817A (USA)
CUST. #:	9JK2817A

GROUNDING DETAILS & ELECTRICAL SCHEMATIC

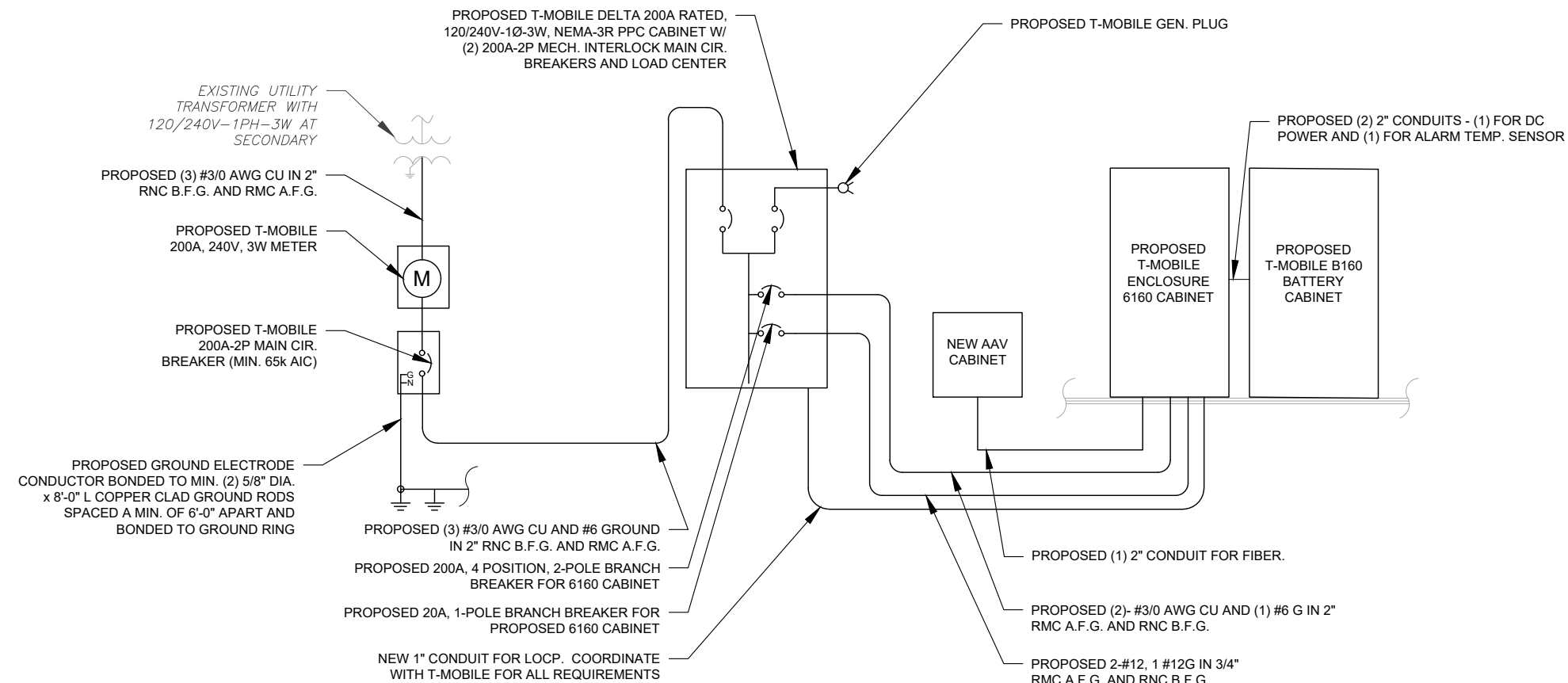
SHEET NUMBER:	REVISION:
E-101	0

Copyright © 2023 ATC IP, LLC. All Rights Reserved.

PROPOSED T-MOBILE PANEL "PP1"							(65k SERIES AIC RATED) 200A, 120/240-1Ø-3W, 200A M.C.B.								
BUS kVA		LOAD	WIRE	GND	COND	AMPS	BUS		AMPS	COND	GND	WIRE	LOAD	BUS kVA	
A	B						A	B						A	B
0.00		PROPOSED SURGE SUPPRESSOR	#6	#10	1"	60	1	2	20	3/4"	#12	#12	PROPOSED GFI RECEPTACLE	0.18	
	0.00						3	4	200	2"	#6	2-#3/0	NEW 6160 SSC **		7.00
0.40		PROPOSED SERVICE LIGHT	#12	#12	3/4"	20	5	6						7.00	
	0.18	PROPOSED NEW GFI RECEPT. INTO 6160 **	#12	#12	3/4"	20	7	8							7.00
-		SPACE	-	-	-	-	9	10						7.00	
-		SPACE	-	-	-	-	11	12					SPACE		-
-		SPACE	-	-	-	-	13	14					SPACE		-
-		SPACE	-	-	-	-	15	16					SPACE		-
-		SPACE	-	-	-	-	17	18					SPACE		-
-		SPACE	-	-	-	-	19	20					SPACE		-
-		SPACE	-	-	-	-	21	22					SPACE		-
-		SPACE	-	-	-	-	23	24					SPACE		-
0.40	0.18						A	B	TOTAL				14.18	14.00	
							14.6	14.2	28.8		CONNECTED LOAD (kVA)				
							14.7	14.2	28.9		DEMAND LOAD (kVA)		DEMAND LOAD AMPS: 120 AMPS		

** = CONTRACTOR TO CONFIRM ALL REQUIREMENTS WITH MANUF. INSTALLATION SPECS PRIOR INSTALLATION
ALL LOADS SHOWN ARE NON-CONTINUOUS LOADS WITH THE EXCEPTION OF LIGHTING

1 PANEL SCHEDULE



2 ONE-LINE DIAGRAM

AMERICAN TOWER®

MORRISON HERSHFIELD
2 S UNIVERSITY DR., UNIT 245
PLANTATION, FL 33324
Tel: 954.577.4655
FL C OF A #8508
FL Architect business #AA26002368
www.morrisonhershfield.com

DO NOT SCALE DRAWING. CONTRACTOR MUST VERIFY ALL DIMENSIONS AND ADVISE CONSULTANTS OF ANY ERRORS OR OMISSIONS. THE INFORMATION CONTAINED IN THIS SET OF DOCUMENTS IS PROPRIETARY BY NATURE. ANY USE OR DISCLOSURE OTHER THAN WHICH IS RELATED TO NAMED CLIENT IS STRICTLY PROHIBITED. NEITHER THE ARCHITECT NOR THE ENGINEER WILL BE PROVIDING ON-SITE CONSTRUCTION REVIEW OF THIS PROJECT. ALL PREVIOUS ISSUES OF THIS DRAWING ARE SUPERSEDED BY THE LATEST REVISION.

REV.	DESCRIPTION	BY	DATE
A	PRELIM	NY	01/10/23
O	FINALS	MS	02/06/23

ATC SITE NUMBER:
417139

ATC SITE NAME:
COLUMBIA (CHARLES) FL

T-MOBILE SITE NAME:
9JK2817A (USA)

SITE ADDRESS:
CHARLES TERRACE
LAKE CITY, FL 32024

SEAL:

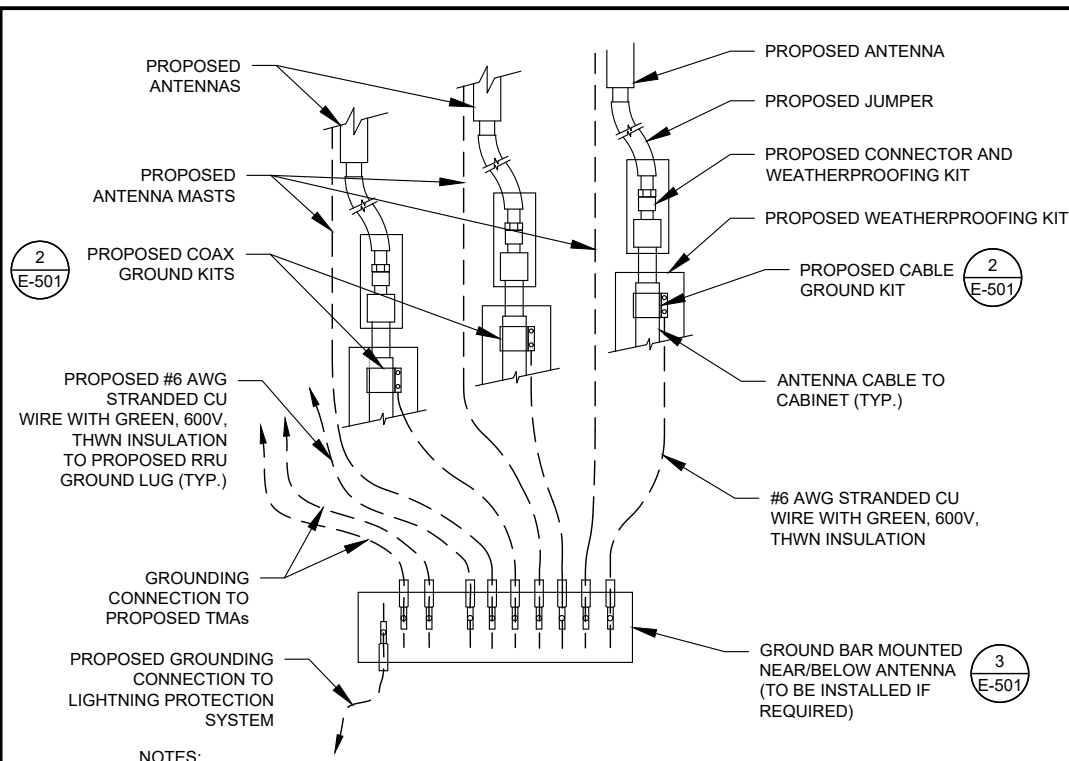
Digitally signed by Robert Lara
Date: 2023.02.06 18:44:23-05'00'



MH PROJ NO:	220329500
ATC PROJ. #:	14192636
CUST. ID:	9JK2817A (USA)
CUST. #:	9JK2817A

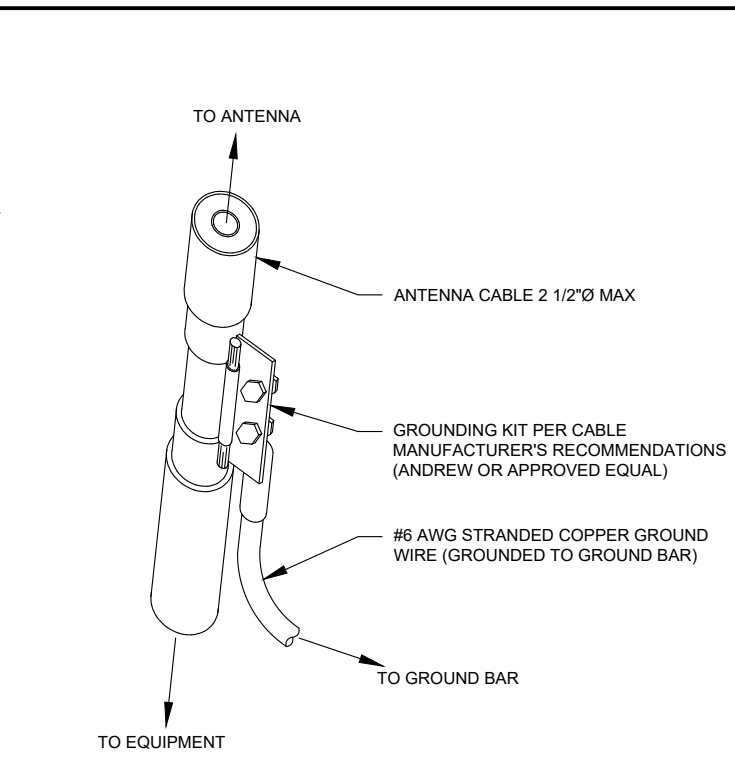
PANEL SCHEDULE & ONE-LINE DIAGRAM

SHEET NUMBER:	REVISION:
E-102	0



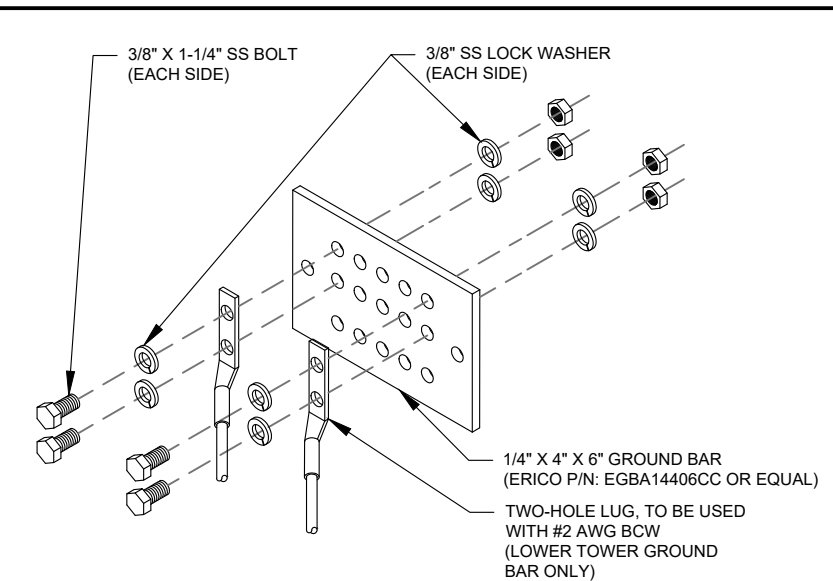
- NOTES:**
1. THIS DETAIL IS INTENDED TO SHOW THE GENERAL GROUNDING REQUIREMENTS. SLIGHT ADJUSTMENTS MAY BE REQUIRED BASED ON EXISTING SITE CONDITIONS. THE CONTRACTOR SHALL MAKE FIELD ADJUSTMENTS AS NEEDED AND INFORM THE CONSTRUCTION MANAGER OF ANY CONFLICTS.
 2. SITE GROUNDING SHALL COMPLY WITH T-MOBILE GROUNDING STANDARDS, LATEST EDITION, AND COMPLY WITH T-MOBILE GROUNDING CHECKLIST, LATEST VERSION. WHEN NATIONAL AND LOCAL GROUNDING CODES ARE MORE STRINGENT THEY SHALL GOVERN.

1 TYPICAL ANTENNA GROUNDING DIAGRAM
SCALE: N.T.S.



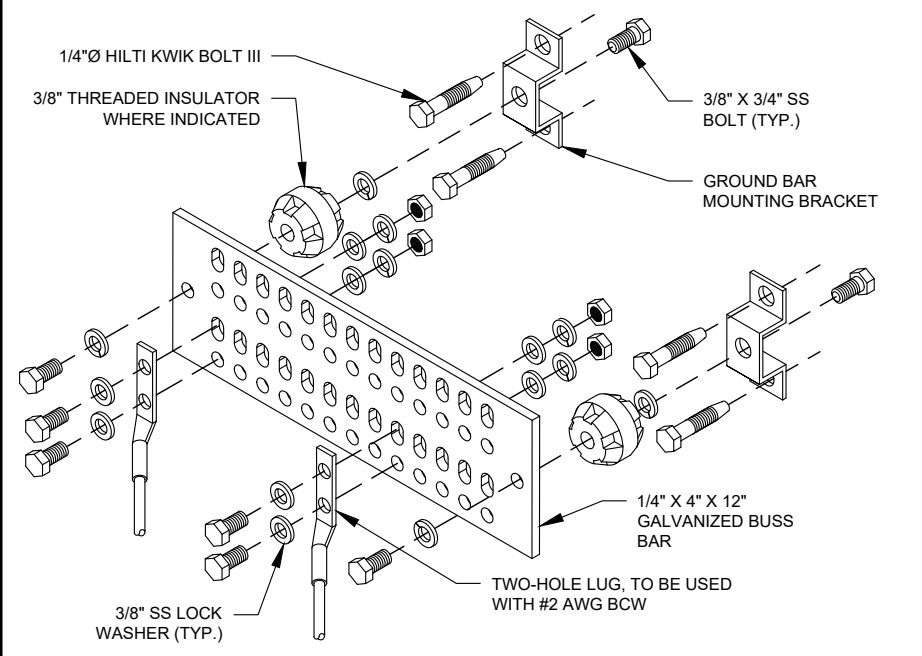
- GROUND KIT NOTES:**
1. DO NOT INSTALL CABLE GROUND KIT AT A BEND AND ALWAYS DIRECT GROUND WIRE DOWN TO GROUND BAR.
 2. CONTRACTOR SHALL PROVIDE WEATHERPROOFING KIT (ANDREW PART NUMBER 221213) AND INSTALL/TAPE PER MANUFACTURER'S SPECIFICATIONS.

2 CABLE GROUND KIT CONNECTION DETAIL
SCALE: N.T.S.



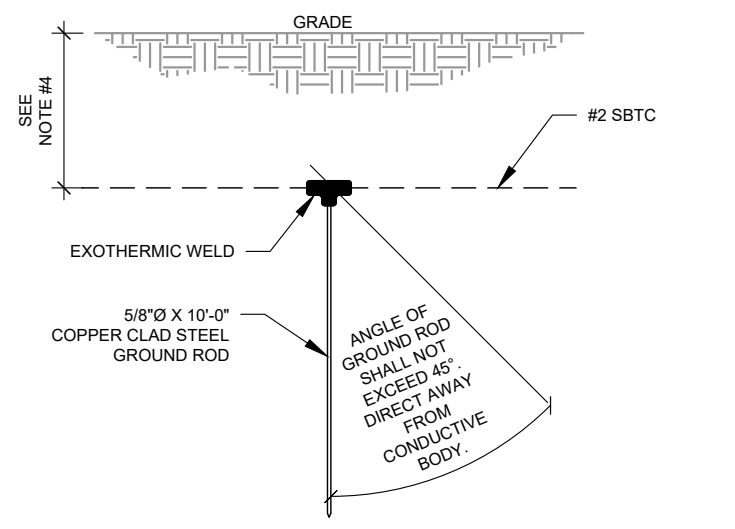
- GROUND BAR NOTES:**
1. GROUND BAR KITS COME WITH ALL HARDWARE, NUTS, BOLTS, WASHERS, ETC. EXCEPT THE STRUCTURAL MOUNTING MEMBER(S).
 2. GROUND BAR TO BE BONDED DIRECTLY TO TOWER.

3 TOWER GROUND BAR DETAIL
SCALE: N.T.S.



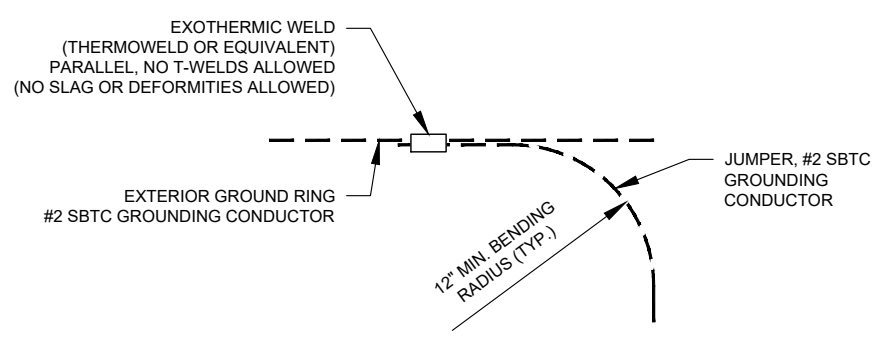
- GROUND BAR NOTES**
1. GROUND KITS COME WITH ALL HARDWARE, NUTS, BOLTS, WASHERS, ETC. EXCEPT THE STRUCTURAL MOUNTING MEMBER(S).
 2. GROUND BAR SHALL BE BOLTED TO STRUCTURAL MEMBER OR ANCHORED TO CONCRETE SLAB W/ HILTI KWIK BOLT III.

4 MAIN GROUND BAR DETAIL
SCALE: N.T.S.



- NOTES:**
1. SEPARATION DIMENSION TO BE VERIFIED WITH LOCAL UTILITY COMPANY REQUIREMENTS.
 2. COORDINATE UTILITY, LOCATE BEFORE DIGGING.
 3. CONDUIT TRENCHING DEPTHS AT 36" OR 6" BELOW FROST LINE, WHICHEVER IS GREATER.
 4. ALL RING AND RADIAL DEPTHS AT 30" OR 6" BELOW FROST LINE, WHICHEVER IS GREATER.

5 GROUND ROD DETAIL
SCALE: N.T.S.



6 TIE CONNECTION DETAIL
SCALE: N.T.S.

AMERICAN TOWER®

MORRISON HERSHFIELD
2 S UNIVERSITY DR., UNIT 245
PLANTATION, FL 33324
Tel: 954.577.4655
FL C OF A #8508
FL Architect business #AA26002368
www.morrisonhershfield.com

DO NOT SCALE DRAWING. CONTRACTOR MUST VERIFY ALL DIMENSIONS AND ADVISE CONSULTANTS OF ANY ERRORS OR OMISSIONS. THE INFORMATION CONTAINED IN THIS SET OF DOCUMENTS IS PROPRIETARY BY NATURE. ANY USE OR DISCLOSURE OTHER THAN WHICH IS RELATED TO NAMED CLIENT IS STRICTLY PROHIBITED. NEITHER THE ARCHITECT NOR THE ENGINEER WILL BE PROVIDING ON-SITE CONSTRUCTION REVIEW OF THIS PROJECT. ALL PREVIOUS ISSUES OF THIS DRAWING ARE SUPERSEDED BY THE LATEST REVISION.

REV.	DESCRIPTION	BY	DATE
A	PRELIM	NY	01/10/23
O	FINALS	MS	02/06/23

ATC SITE NUMBER:
417139

ATC SITE NAME:
COLUMBIA (CHARLES) FL

T-MOBILE SITE NAME:
9JK2817A (USA)

SITE ADDRESS:
CHARLES TERRACE
LAKE CITY, FL 32024

SEAL:

T Mobile

MH PROJ NO:	220329500
ATC PROJ. #:	14192636
CUST. ID. #:	9JK2817A (USA)
CUST. #:	9JK2817A

GROUNDING DETAILS

SHEET NUMBER:	REVISION:
E-501	0

Copyright © 2023 ATC IP, LLC. All Rights Reserved.

11/10/22, 9:53 AM

9JK2817A_Coverage Strategy_1_2022-11-10

RAN Template: 4Sec-67E5D998E 6160 (no GSM)	A&L Template: 4Sec-67E5998E_1xAIR+1OP
--	---

9JK2817A_Coverage Strategy_1

Print Name: Standard
PORs: Coverage Strategy_Regional Coverage

Section 1 - Site Information

Site ID: 9JK2817A **Site Name:** 9JK2817A (UsA) **Latitude:** 30.106319
Status: ReadyForReview **Site Class:** Self Support Tower **Longitude:** -82.760058
Version: 1 **Site Type:** Structure Non Building **Address:** Charles Terrace
Project Type: Coverage Strategy **Plan Year:** **City, State:** Charles Terrace, FL
Approved: Not approved **Market:** JACKSONVILLE FL **Region:** SOUTH
Approved By: Not approved **Vendor:** Nokia
Last Modified: 11/10/2022 9:52:39 AM **Landlord:** Not Specified
Last Modified By: Ernest.Shuman@T-Mobile.com

RAN Template: 4Sec-67E5D998E 6160 (no GSM)	AL Template: 4Sec-67E5998E_1xAIR+1OP			
Sector Count: 4	Antenna Count: 8	Coax Line Count: 0	TMA Count: 0	RRU Count: 8

Section 2 - Existing Template Images

1 **RFDS HEADER**
SCALE: NOT TO SCALE

11/10/22, 9:53 AM

9JK2817A_Coverage Strategy_1_2022-11-10

RAN Template: 4Sec-67E5D998E 6160 (no GSM)	A&L Template: 4Sec-67E5998E_1xAIR+1OP
--	---

9JK2817A_Coverage Strategy_1
Print Name: Standard
PORs: Coverage Strategy_Regional Coverage

Section 6 - A&L Equipment

Existing Template: Custom
Proposed Template: 4Sec-67E5998E_1xAIR+1OP

Sector 1 (Proposed) view from front (Note: the images show view from behind)

Coverage Type	A - Outdoor Macro					
Antenna	1			2		
Antenna Model	Commscope - FFVV-65C-R3-V1 (Octo)			AIR 6419 B41 (Active Antenna - Massive MIMO)		
Azimuth	90			90		
M. Tilt	0			0		
Height	240			240		
Ports	P1	P2	P3	P4	P5	P6
Active Tech	L700 L600 N600	L700 L600 N600	L2100 L1900 N1900	L2100 L1900 N1900	N2500	N2500
Dark Tech						
Restricted Tech						
Decomm. Tech						
E. Tilt						
Cables	Coax Jumper (x2)	Coax Jumper (x2)	Coax Jumper (x2)	Coax Jumper (x2)		
TMA's						
Diplexer / Combiners						
Radio	Radio 4480 B71+B85 (AI Antenna)	Radio 4480 B25+B85 (AI Antenna)	Radio 4480 B25+B85 (AI Antenna)	Radio 4480 B25+B85 (AI Antenna)		
Sector Equipment						

Unconnected Equipment:

Scope of Work:

*A dashed border indicates shared connected equipment. Any shared equipment, besides the first, is denoted with the SHARED keyword.

11/10/22, 9:53 AM

9JK2817A_Coverage Strategy_1_2022-11-10

RAN Template: 4Sec-67E5D998E 6160 (no GSM)	A&L Template: 4Sec-67E5998E_1xAIR+1OP
--	---

9JK2817A_Coverage Strategy_1
Print Name: Standard
PORs: Coverage Strategy_Regional Coverage

Sector 2 (Proposed) view from front (Note: the images show view from behind)

Coverage Type	A - Outdoor Macro					
Antenna	1			2		
Antenna Model	Commscope - FFVV-65C-R3-V1 (Octo)			AIR 6419 B41 (Active Antenna - Massive MIMO)		
Azimuth	130			130		
M. Tilt	0			0		
Height	240			240		
Ports	P1	P2	P3	P4	P5	P6
Active Tech	L700 L600 N600	L700 L600 N600	L2100 L1900 N1900	L2100 L1900 N1900	N2500	N2500
Dark Tech						
Restricted Tech						
Decomm. Tech						
E. Tilt						
Cables	Coax Jumper (x2)	Coax Jumper (x2)	Coax Jumper (x2)	Coax Jumper (x2)		
TMA's						
Diplexer / Combiners						
Radio	Radio 4480 B71+B85 (AI Antenna)	Radio 4480 B71+B85 (AI Antenna)	Radio 4480 B25+B85 (AI Antenna)	Radio 4480 B25+B85 (AI Antenna)		
Sector Equipment						

Unconnected Equipment:

Scope of Work:

*A dashed border indicates shared connected equipment. Any shared equipment, besides the first, is denoted with the SHARED keyword.

2 **ALPHA SETOR INFORMATION**
SCALE: NOT TO SCALE

3 **BETA SETOR INFORMATION**
SCALE: NOT TO SCALE

NOTE: THIS SHEET CREATED BY OTHERS AND PROVIDED BY REQUEST OF CUSTOMER WITHOUT EDIT.

SUPPLEMENTAL

SHEET NUMBER:
R-601

REVISION:

Copyright © 2025 ATC IP, LLC. All Rights Reserved.

11/10/22, 9:53 AM

9JK2817A_Coverage Strategy_1_2022-11-10

RAN Template: 4Sec-67E5D998E 6160 (no GSM)	A&L Template: 4Sec-67E5998E_1xAIR+1OP
---	--

9JK2817A_Coverage Strategy_1

Print Name: Standard
PORs: Coverage Strategy_Regional Coverage

Sector 3 (Proposed) view from front (Note: the images show view from behind)						
Coverage Type	A - Outdoor Macro					
Antenna	1		2			
Antenna Model	Commscope - FFVW-65C-R3-V1 (Octo)		AIR 6419 B41 (Active Antenna - Massive MIMO)			
Azimuth	220		220			
M. Tilt	0		0			
Height	240		240			
Ports	P1	P2	P3	P4	P5	P6
Active Tech	L700 L600 N600	L700 L600 N600	L2100 L1900 N1900	L2100 L1900 N1900	N2500	N2500
Dark Tech						
Restricted Tech						
Decomm. Tech						
E. Tilt						
Cables	Coax Jumper (x2)	Coax Jumper (x2)	Coax Jumper (x2)	Coax Jumper (x2)		
TMA's						
Diplexer / Combiners						
Radio	Radio 4480 B71+B85 (At Antenna)	Radio 4480 B71+B85 (At Antenna)	Radio 4460 B25+B66 (At Antenna)	Radio 4460 B25+B66 (At Antenna)		
Sector Equipment						
Unconnected Equipment:						
Scope of Work:						
*A dashed border indicates shared connected equipment. Any shared equipment, besides the first, is denoted with the SHARED keyword.						

1 **GAMMA SECTOR INFORMATION**
SCALE: NOT TO SCALE

11/10/22, 9:53 AM

9JK2817A_Coverage Strategy_1_2022-11-10

RAN Template: 4Sec-67E5D998E 6160 (no GSM)	A&L Template: 4Sec-67E5998E_1xAIR+1OP
---	--

9JK2817A_Coverage Strategy_1

Print Name: Standard
PORs: Coverage Strategy_Regional Coverage

Sector 4 (Proposed) view from front (Note: the images show view from behind)						
Coverage Type	A - Outdoor Macro					
Antenna	1		2			
Antenna Model	Commscope - FFVW-65C-R3-V1 (Octo)		AIR 6419 B41 (Active Antenna - Massive MIMO)			
Azimuth	330		330			
M. Tilt	0		0			
Height	240		240			
Ports	P1	P2	P3	P4	P5	P6
Active Tech	L700 L600 N600	L700 L600 N600	L2100 L1900 N1900	L2100 L1900 N1900	N2500	N2500
Dark Tech						
Restricted Tech						
Decomm. Tech						
E. Tilt						
Cables	Coax Jumper (x2)	Coax Jumper (x2)	Coax Jumper (x2)	Coax Jumper (x2)		
TMA's						
Diplexer / Combiners						
Radio	Radio 4480 B71+B85 (At Antenna)	Radio 4480 B71+B85 (At Antenna)	Radio 4460 B25+B66 (At Antenna)	Radio 4460 B25+B66 (At Antenna)		
Sector Equipment						
Unconnected Equipment:						
Scope of Work:						
*A dashed border indicates shared connected equipment. Any shared equipment, besides the first, is denoted with the SHARED keyword.						

2 **DELTA SECTOR INFORMATION**
SCALE: NOT TO SCALE

SUPPLEMENTAL

SHEET NUMBER: REVISION:

R-602

NOTE: THIS SHEET CREATED BY OTHERS AND PROVIDED BY REQUEST OF CUSTOMER WITHOUT EDIT.

11/10/22, 9:53 AM

9JK2817A_Coverage Strategy_1_2022-11-10

RAN Template: 4Sec-67E5D998E 6160 (no GSM)	ASL Template: 4Sec-67E5996E_1xAIR+1CP
--	---

9JK2817A_Coverage Strategy_1

Print Name: Standard
PORs: Coverage Strategy_Regional Coverage

Section 5 - RAN Equipment

Existing RAN Equipment

----- This section is intentionally blank. -----

Proposed RAN Equipment

Template: 4Sec-67E5D998E 6160 (no GSM)

Enclosure	1	2												
Enclosure Type	Enclosure 6160 AC V1	(B160)												
Baseband	<table border="1"> <tr> <td>RP 6651</td> <td>RP 6651</td> <td>RP 6651</td> </tr> <tr> <td>N600</td> <td>N2500</td> <td>N1900</td> </tr> <tr> <td>L600</td> <td></td> <td>L1900</td> </tr> <tr> <td>L700</td> <td></td> <td>L2100</td> </tr> </table>	RP 6651	RP 6651	RP 6651	N600	N2500	N1900	L600		L1900	L700		L2100	
RP 6651	RP 6651	RP 6651												
N600	N2500	N1900												
L600		L1900												
L700		L2100												
Transport System	CSR IXRe V2 (Gen2)													
Hybrid Cable System	Hybrid Trunk 6/24 4AWG 90m (x4)	PSU 4813 vR4A (K0) (x2)												
RAN Scope of Work:														

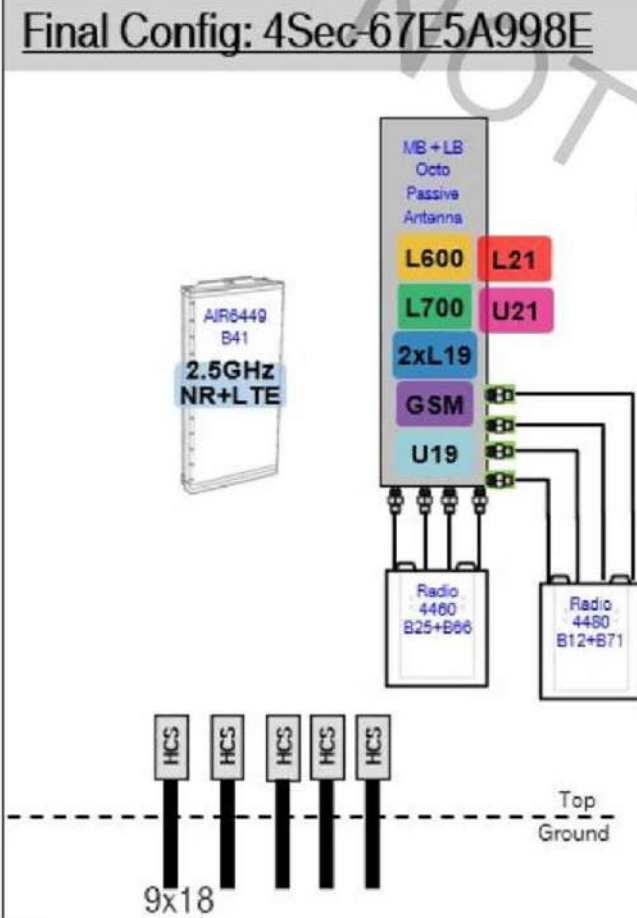
1 CABINET CONFIGURATION

11/10/22, 9:53 AM

9JK2817A_Coverage Strategy_1_2022-11-10

Section 3 - Proposed Template Images

4Sec-67E5A998E.jpg



Notes:

2 ANTENNA CONFIGURATION

SUPPLEMENTAL

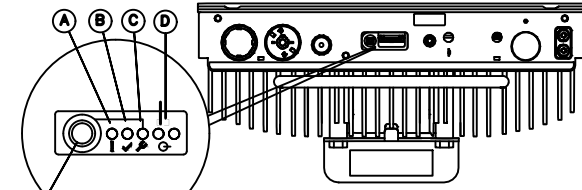
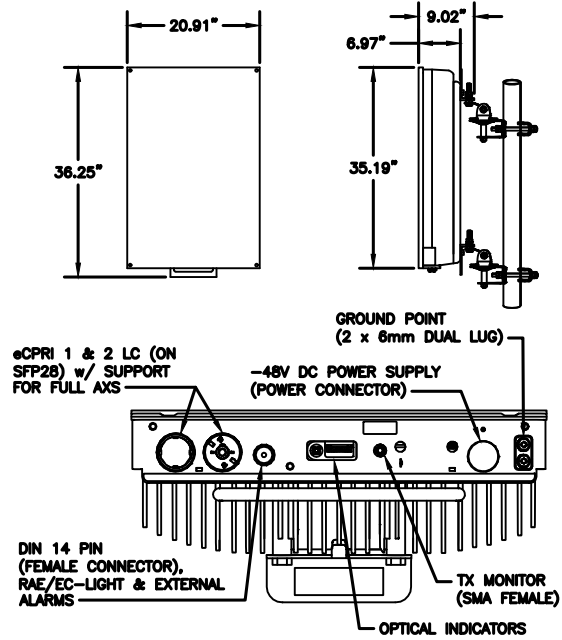
SHEET NUMBER:

R-603

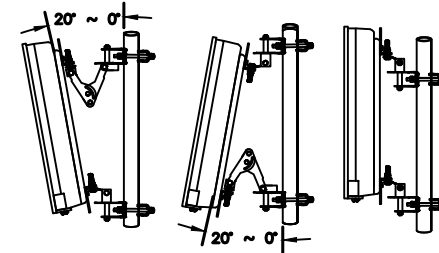
REVISION:

NOTE: THIS SHEET CREATED BY OTHERS AND PROVIDED BY REQUEST OF CUSTOMER WITHOUT EDIT.

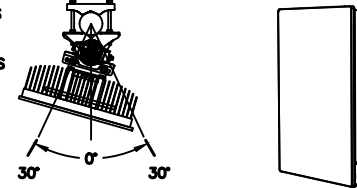
MANUFACTURER:	ERICSSON
MODEL:	AIR 6419 B41 (2.5GHz M-MIMO)
DIMENSIONS:	36.25" x 20.91" x 9.02" NOT TO EXCEED (H x W x D)
WEIGHT:	83 LBS (EXCLUDING MOUNTING KIT)
MOUNT WEIGHT:	13.5 LBS (SXX109 2016/1)



OPTICAL INDICATORS
A = FAULT (RED) D = INTERFACE (GREEN)
B = OPERATIONAL (GREEN) E = FUTURE
C = MAINTENANCE (BLUE)

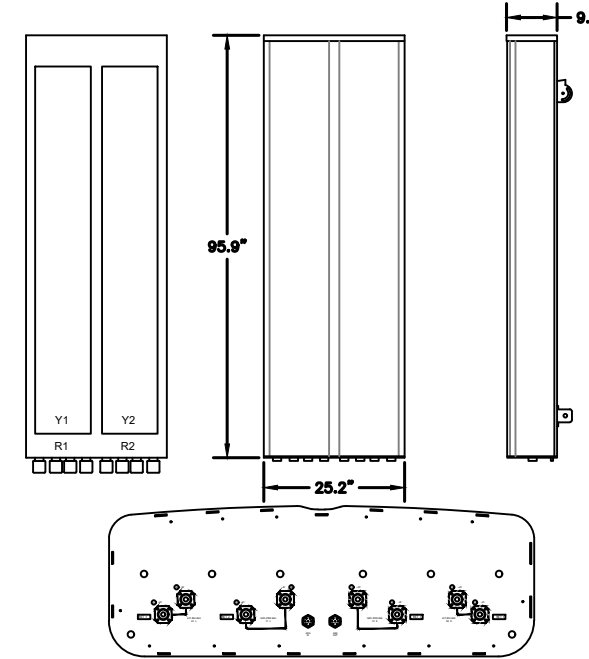


POLE MOUNTING RANGE
MINIMUM OUTER DIMENSIONS
CIRCULAR 2.99"
MAXIMUM OUTER DIMENSIONS
CIRCULAR 4.49"



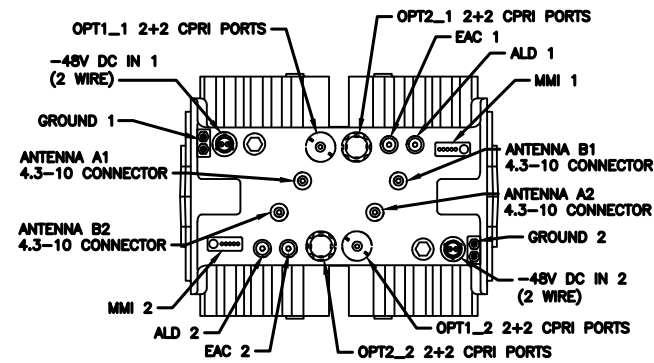
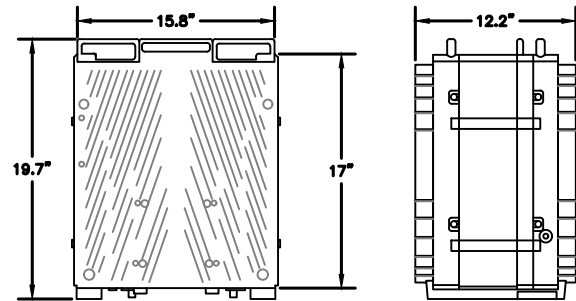
1 34552 - ERICSSON AIR 6419 BAND 41
SCALE: N.T.S.

MANUFACTURER:	COMMSCOPE
MODEL:	FFV-65C-R3-V1 ANTENNA
DIMENSIONS:	95.9" x 25.2" x 9.3"
WEIGHT:	124.6 LB
BAND:	MULTIBAND (8 PORT)
MOUNTING KIT:	BSAMNT-4 & BSAMNT-M4 (INCLUDED)

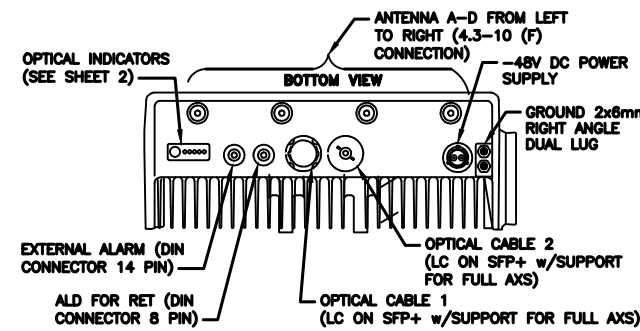
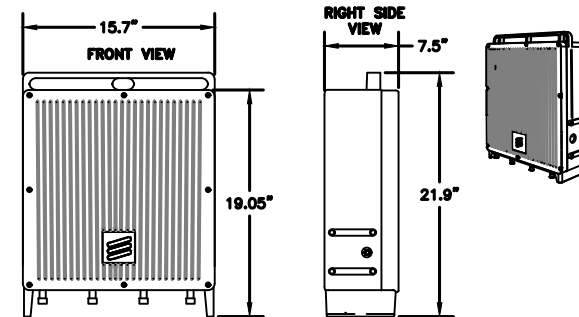


2 34074 - COMMSCOPE FFV-65C-R3-V1
SCALE: N.T.S.

MANUFACTURER:	ERICSSON
MODEL:	4460 RADIO B2/25 B66 (KRC 161 912/3)
DIMENSIONS:	19.7" x 15.8" x 12.2" (H" x W" x D")
WEIGHT:	109 LBS
BRACKET WEIGHT:	4.8 LBS (ERS HEAVY #SXX1255993/1)



MANUFACTURER:	ERICSSON
MODEL:	4480 RADIO (KRC 161 922/1)
DIMENSIONS:	21.9" x 15.7" x 7.5" (H x W x D)
MODEL BAND:	B71, B85 FOR NR AND LTE
WEIGHT:	81 LBS
BRACKET WEIGHT:	3.75 LBS (MULTI ERS #109 1973/2)



3 34373 - ERICSSON 4460 RADIO B2/25 B66
SCALE: N.T.S.

4 34372 - ERICSSON B71/85 RADIO
SCALE: N.T.S.

SUPPLEMENTAL

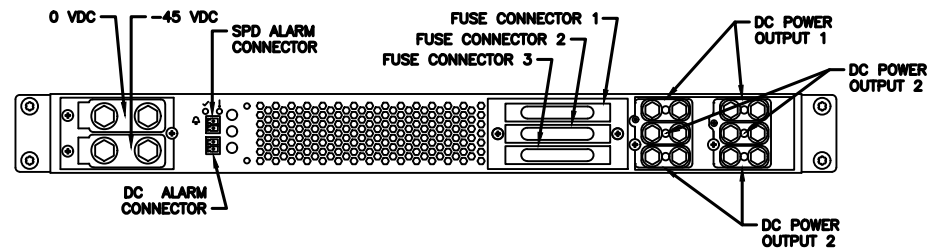
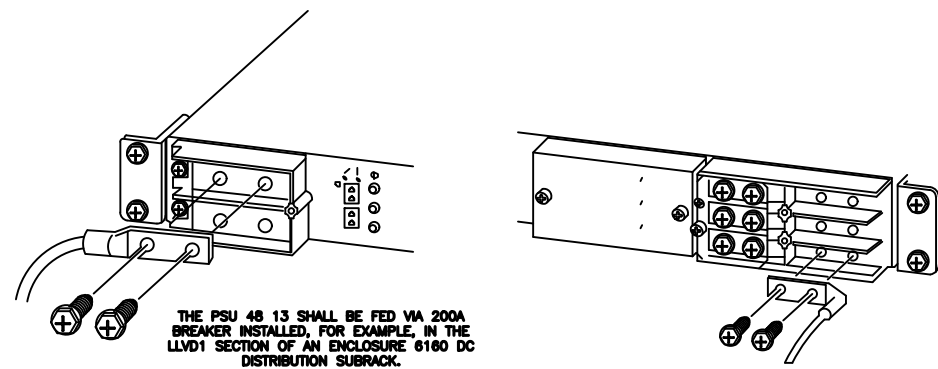
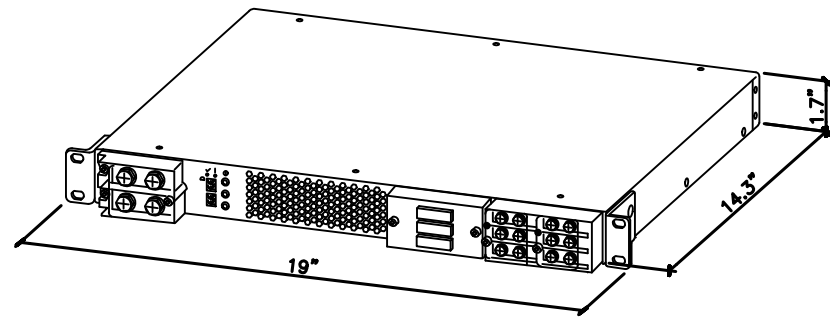
SHEET NUMBER: REVISION:

R-604

NOTE: THIS SHEET CREATED BY OTHERS AND PROVIDED BY REQUEST OF CUSTOMER WITHOUT EDIT.

MANUFACTURER: ERICSSON
 MODEL: PSU 48 13
 WEIGHT: 17.1 LBS
 DIMENSIONS: 19"x 1.7"x 14.3"

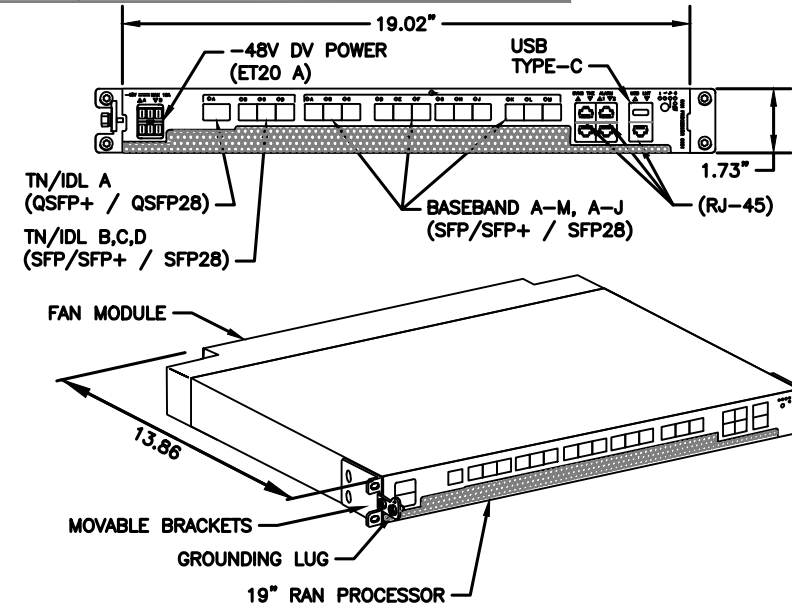
NEEDED INSTALL KIT (PICK 1)
 34133 PSU4813 INSTALL KIT FOR RBS61XX
 34134 PSU4813 INSTALL KIT FOR PBC6200
 34135 PSU4813 INSTALL KIT FOR 6X60/RBS6230



1 SKU# 34132 - PSU 48 13

SCALE: N.T.S.

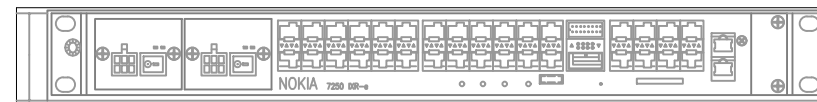
MANUFACTURER: ERICSSON
 MODEL: 6651 RAN PROCESSOR (KDU1370093/11)
 DIMENSIONS: 1.73" X 19.02" X 13.86" (H" X W" X D")
 WEIGHT: 16.98 LBS



2 ERICSSON 6651 RAN PROCESSOR

SCALE: N.T.S.

NOKIA
IXR-E MODULE
17.25"x10.0"x1.75" (HxWxD)
TBD



3 IXRE
 VPSCALE

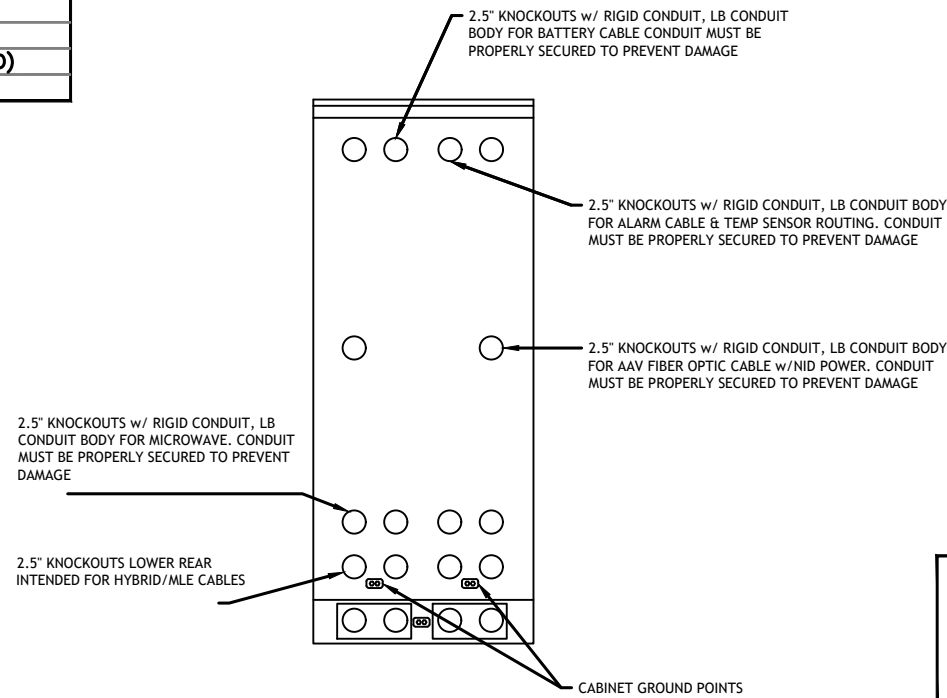
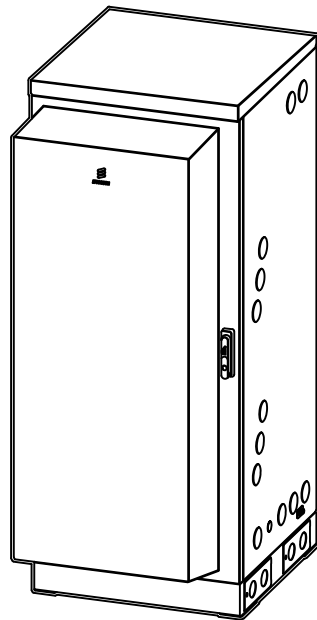
NOTE: THIS SHEET CREATED BY OTHERS AND PROVIDED BY REQUEST OF CUSTOMER WITHOUT EDIT.

SUPPLEMENTAL

SHEET NUMBER: REVISION:

R-605

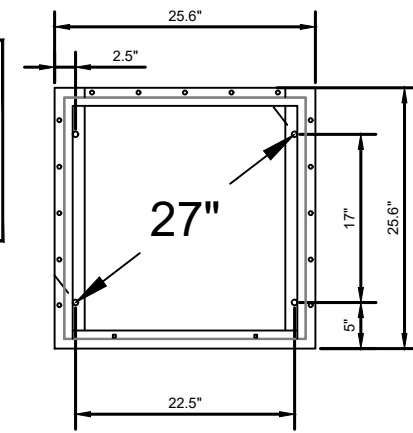
MANUFACTURER:	ERICSSON
MODEL:	6160 SITE SUPPORT CABINET
DIMENSIONS:	63" x 25.6" x 33.6" (H x W x D)
WEIGHT:	373 LBS



REAR VIEW

NOTE:

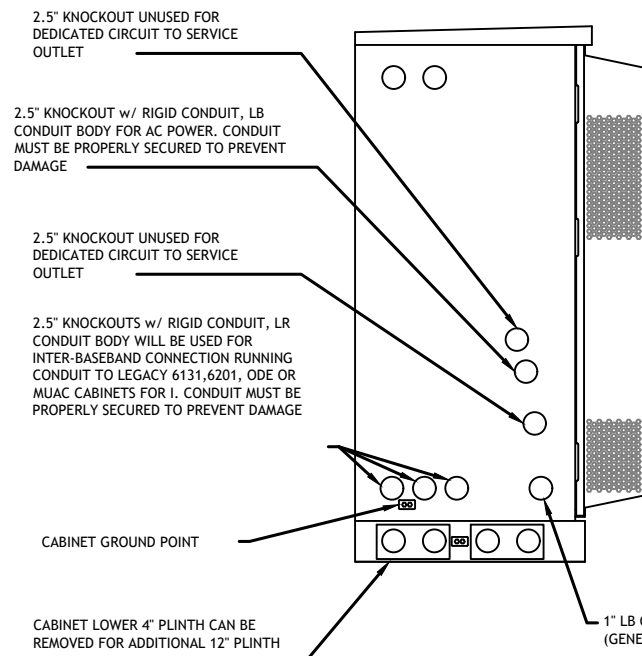
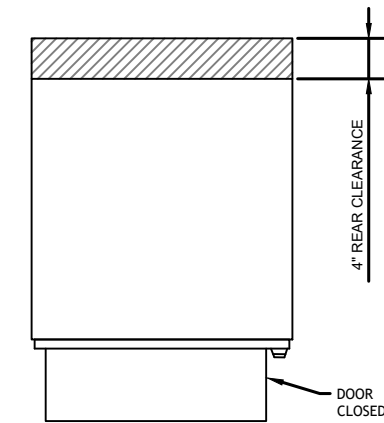
- CORRECT KNOCKOUT TOOL REQUIRED FOR PUNCHING KNOCKOUTS. DO NOT DRILL THROUGH KNOCKOUTS
- CONDUIT MUST BE PROPERLY SECURED TO PREVENT DAMAGE TO CABINETS AND OR CABLING



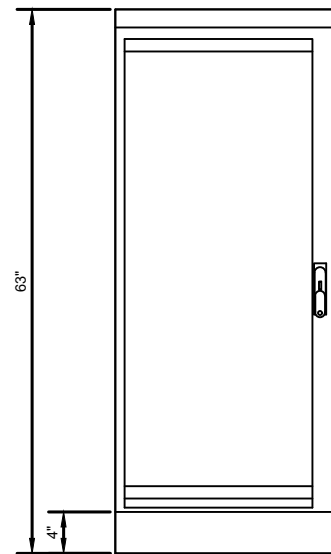
BOLT DOWN PATTERN

GROUNDING NOTE:

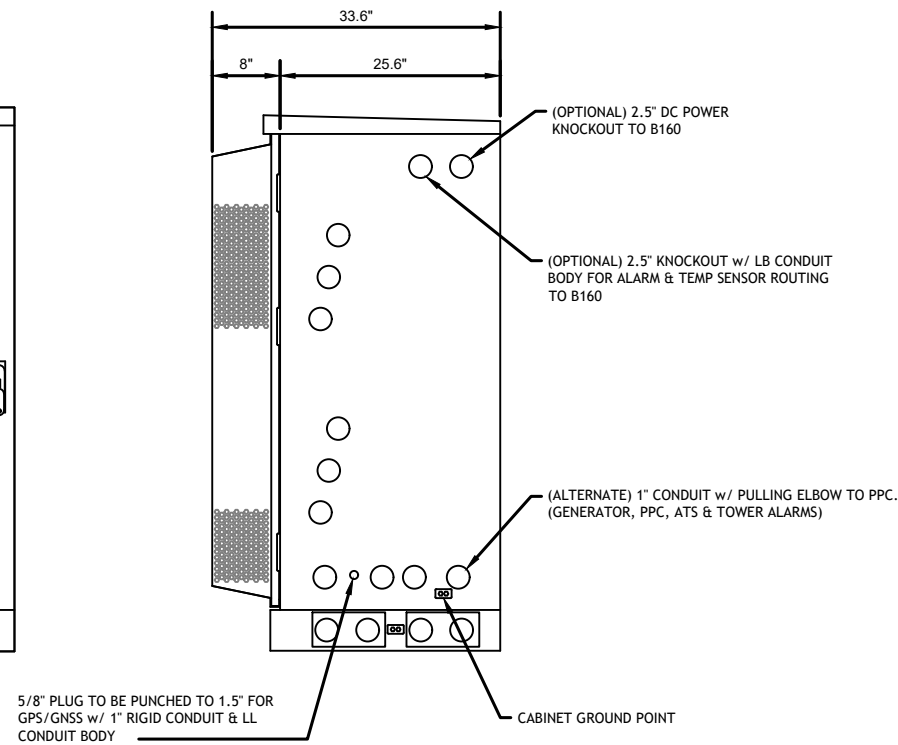
"CABINET GROUNDING TO USE A SINGLE, #2 BTCW CONDUCTOR, W/ 2-HOLE, 1" C-C, LONG BARREL, WINDOW LUG, IN 3/4" LFNC TO GROUND RING. PLINTH GROUNDING IS NOT REQUIRED."



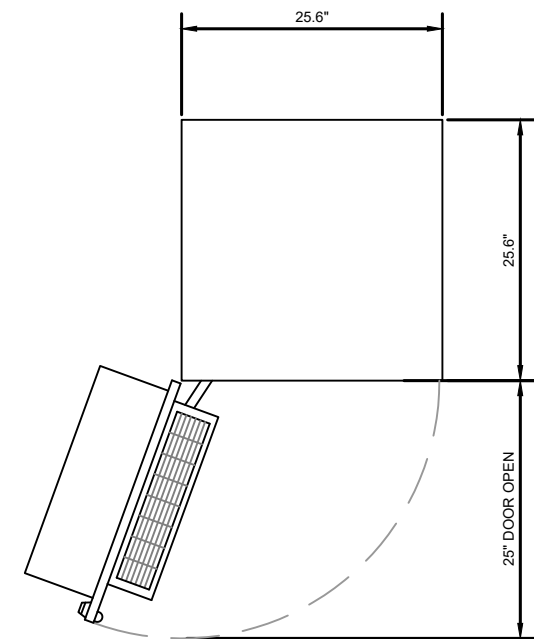
LEFT VIEW



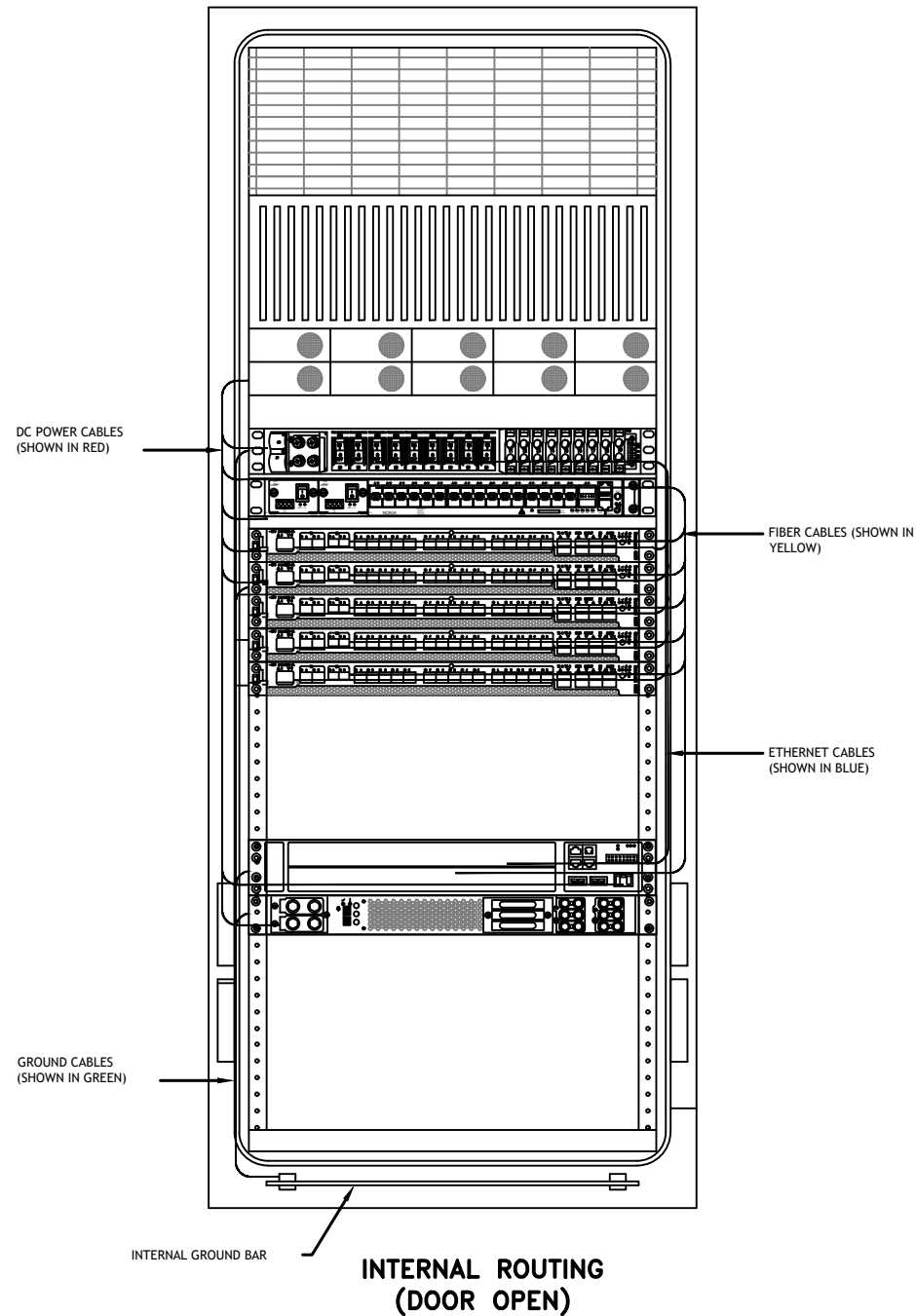
FRONT VIEW



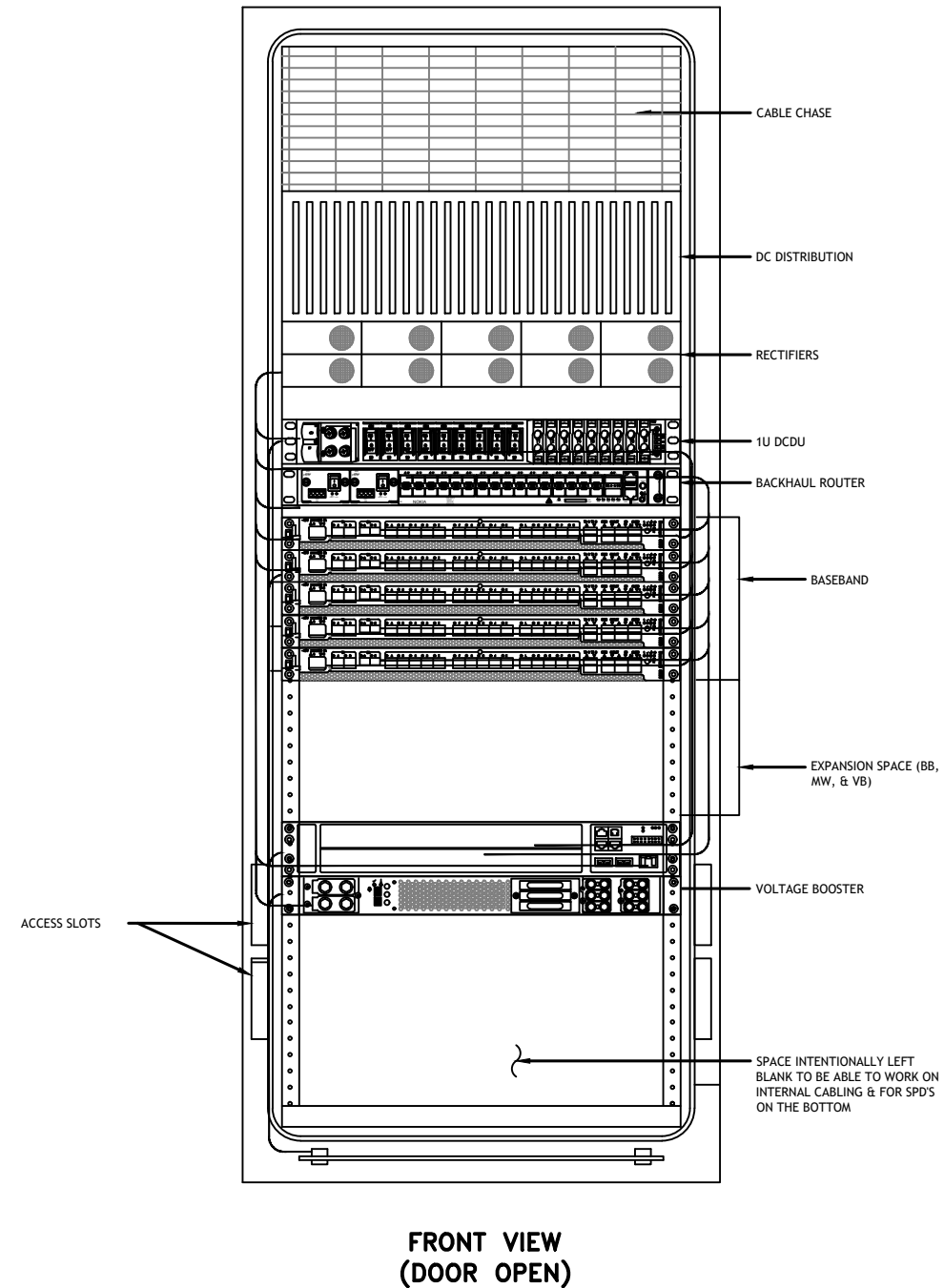
RIGHT VIEW



PLAN VIEW



RACK ASSIGNMENTS	
RU SLOTS	DESCRIPTION
1	DC DISTRIBUTION
2	
3	
4	
5	RECTIFIER SHELF
6	
7	FIBER BOX
8	DCDU
9	BACKHAUL ROUTER
10	
11	1ST BASEBAND
12	2ND BASEBAND
13	3RD BASEBAND
14	4TH BASEBAND
15	5TH BASEBAND
16	EXPANSION
17	
18	
19	EXPANSION / LEGACY BASEBAND / VOLTAGE BOOSTER
20	
21	VOLTAGE BOOSTER
22	OPEN SPACE FOR SPD ACCESS
23	
24	
25	



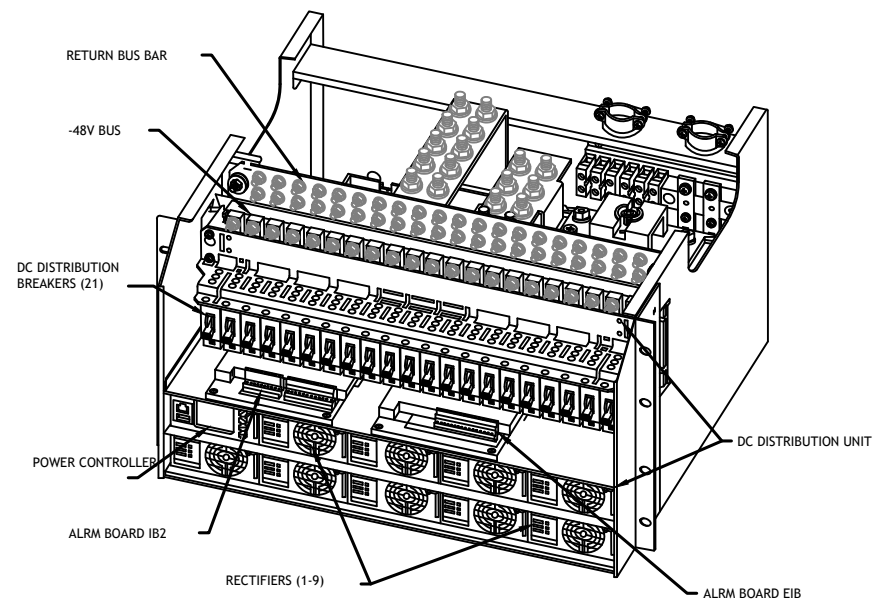
NOTE: THIS SHEET WAS CREATED BY OTHERS AND PROVIDED AT THE REQUEST OF THE CUSTOMER WITHOUT EDIT.

SUPPLEMENTAL	
SHEET NUMBER: R-607	REVISION:

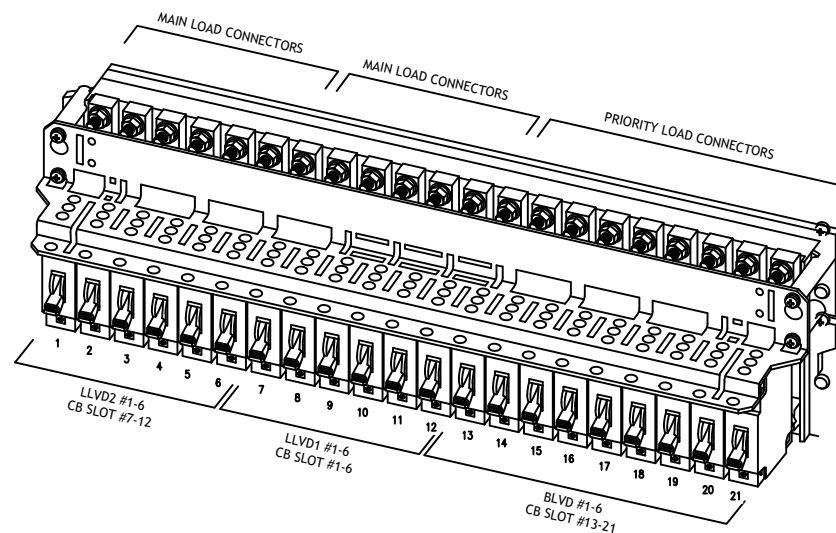
NOTE:
THIS IS FOR REFERENCE ONLY, CHECK
FOR SPECIFIC DETAIL IN T-MOBILE
CABINET SPECIFIC INSTALLATION GUIDES

Breaker Allocation for LG160			
CBSLOT	CKT #	w/ DCDU Pr or no availability of the 4460 and 4480	w/ DCDU Later Design Post-4460 and Post-4480
1	1	Router PS 2*/Future	
2	2	Future	
3	3	PSJ 4813 feeding B25/66 α, β and γ (Air 3164's)	
4	4	PSJ 4813 feeding B41 δ & B71/12 δ (Air 6449's and Radio 4480's)	
5	5	PSJ 4813 feeding B41 α, β and γ (Air 6449's)	
6	6	PSJ 4813 feeding B71/12 α, β and γ (Radio 4490's)	
7	7	PSJ 4813 feeding B71/12 α, β and γ (Radio 4490's)	PSU 4813 feeding 17/12 α, β and γ (Radio 4480's)
8	8	Future	Radio 4460 B25/66 δ-1
9	9	Future	Radio 4460 B25/66 δ-2
10	10	Future	Radio 4460 B25/66 δ-3
11	11	Future	Radio 4460 B25/66 δ-4
12	12	Future	Radio 4460 B25/66 δ-5
13	13	Router PS*	
14	14	Radio 4415 B25/66 α	Radio 4460 B25/66 α-1
15	15	Radio 4415 B25/66 β	Radio 4460 B25/66 α-2
16	16	Radio 4415 B25/66 γ	Radio 4460 B25/66 β-1
17	17	PSU 4813 feeding 17/12 α, β and γ (Radio 4490's)	Radio 4460 B25/66 β-2
18	18	Future	Radio 4460 B25/66 γ-1
19	19	Future	Radio 4460 B25/66 γ-2
20	20	DCDU	
21	21	AAV	

Sector Identification
α, Alpha, β, Beta, γ, Gamma, δ, Delta, ε, Epsilon, ζ, Zeta



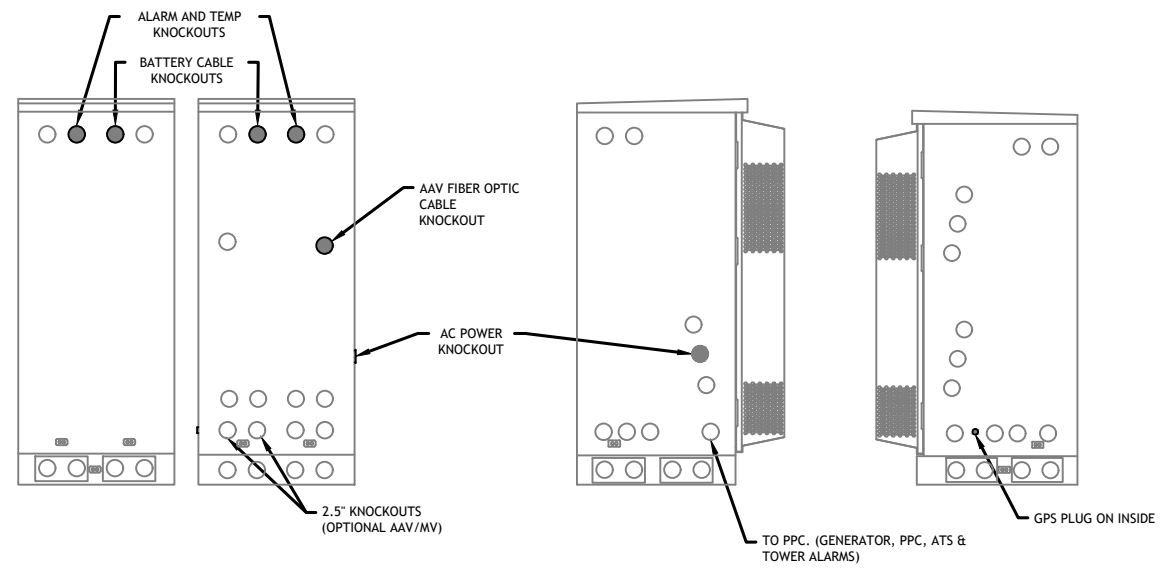
POWER SUBRACK



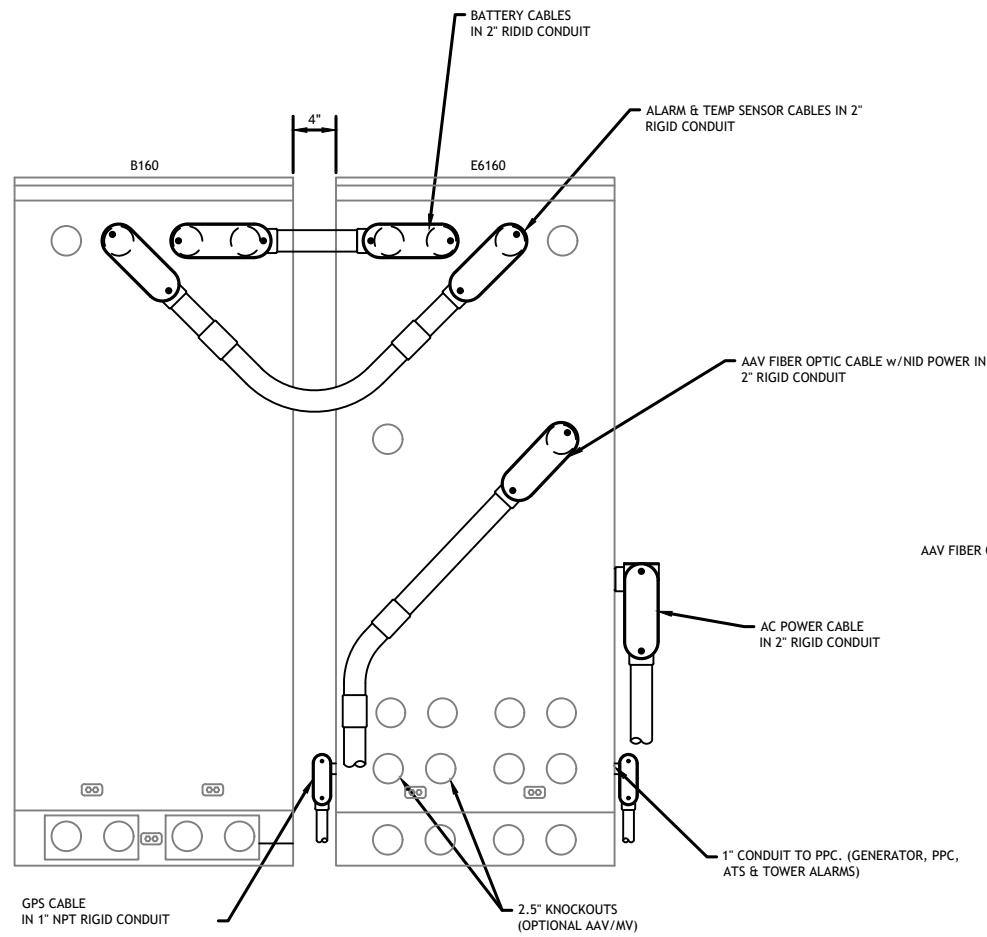
DC DISTRIBUTION

NOTE:

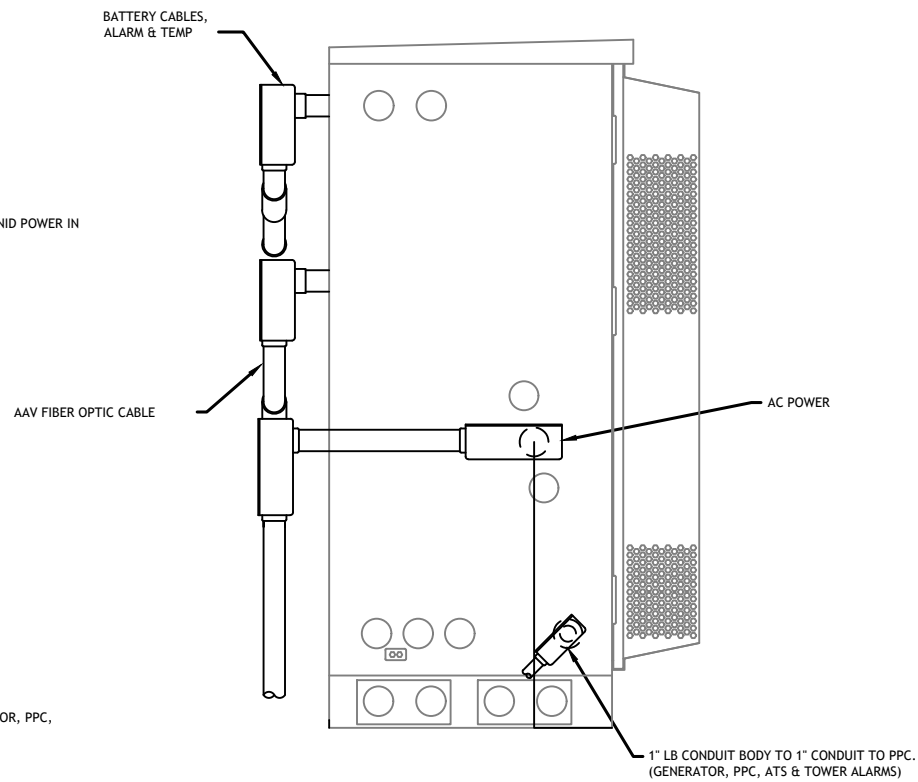
1. ALL CONDUIT AND FITTING ENTRANCES INTO CABINETS AND ENCLOSURES MUST UTILIZE MYERS OR EQUIVALENT HUBS OR SEALING WASHERS TO PREVENT WATER ENTRY/SEEPAGE INTO CABINETS AND ENCLOSURES.
2. (LIQUIDFLEX) FLEXIBLE METALLIC CONDUIT (LFMC) & ASSOCIATED FITTINGS CAN BE USED AS NEEDED BUT ONLY FOR TIGHT CONDUIT BENDS AND RUNS SUBJECT TO UL AND NEC LIMITATIONS. 6' MAX PER CONDUIT RUN.
3. POWER CONDUIT BODY ATTACHED WITH SHORT NIPPLE AND SEALING WASHER INSIDE & OUT. (FOR DOOR HOOD CLEARANCE)
4. PULLING ELBOWS MAY BE USED IN LIEU OF A CONDUIT BODIES WHEN CLEARANCE IS LIMITED.
5. ALL EXTERNAL ALARM CONDUITS ARE TO TERMINATE AT THE PPC WITH A SINGLE 1" ALARM CONDUIT TO THE 6160.
6. (DO NOT USE CHASE NIPPLES) CONDUIT SHOULD HAVE SEALING WASHERS INSIDE AND OUT w/ LOCK NUT AND CAP.



CONDUIT LOCATIONS



REAR VIEW



SIDE VIEW

1 ERICSSON 6160/B160 CONDUIT ROUTING DETAILS

SCALE: N.T.S.

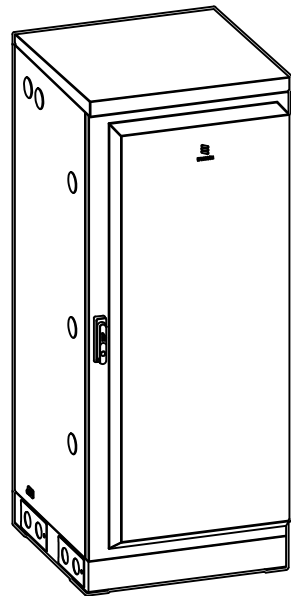
NOTE: THIS SHEET WAS CREATED BY OTHERS AND PROVIDED AT THE REQUEST OF THE CUSTOMER WITHOUT EDIT.

SUPPLEMENTAL

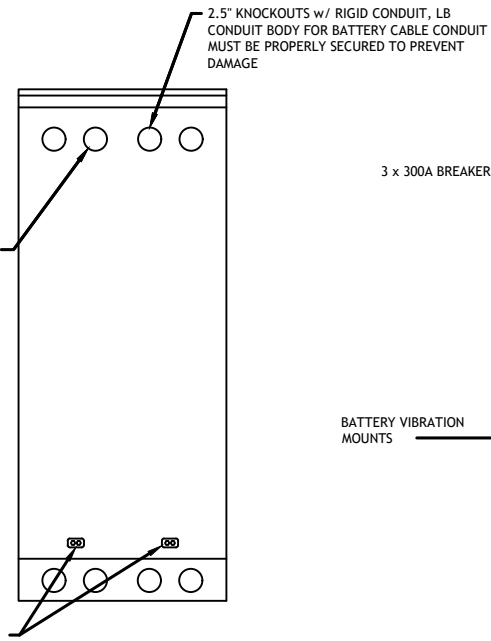
SHEET NUMBER: REVISION:

R-609

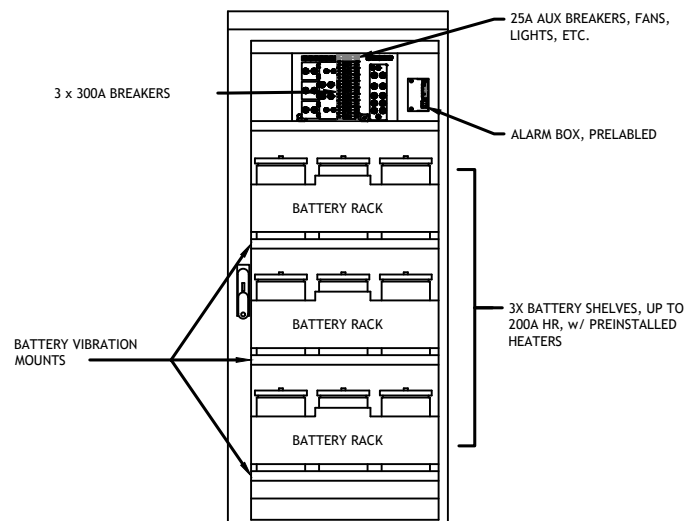
MANUFACTURER:	ERICSSON
MODEL:	B160 BATTERY CABINET
DIMENSIONS:	63" x 25.6" x 29.5" (H x W x D)
WEIGHT:	295 LBS (WITHOUT BATTERIES)



2.5" KNOCKOUTS w/ RIGID CONDUIT, LB CONDUIT BODY FOR ALARM CABLE & TEMP SENSOR ROUTING. CONDUIT MUST BE PROPERLY SECURED TO PREVENT DAMAGE



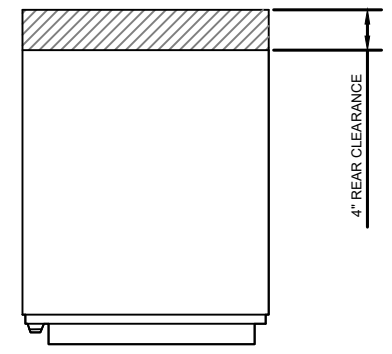
REAR VIEW



FRONT VIEW (DOOR OPEN)

NOTE:

- CORRECT KNOCKOUT TOOL REQUIRED FOR PUNCHING KNOCKOUTS. DO NOT DRILL THROUGH KNOCKOUTS
- CONDUIT MUST BE PROPERLY SECURED TO PREVENT DAMAGE TO CABINETS AND OR CABLING

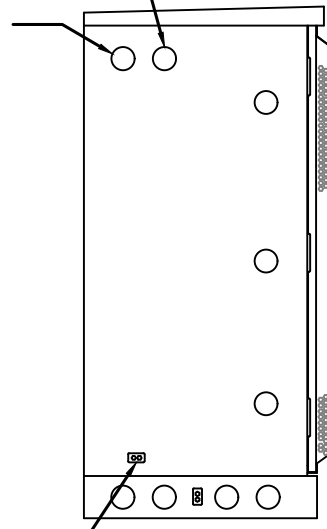


GROUNDING NOTE:

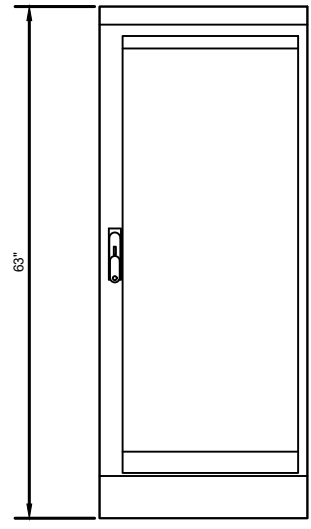
"CABINET GROUNDING TO USE A SINGLE, #2 BTCW CONDUCTOR, W/ 2-HOLE, 1" C-C, LONG BARREL WINDOW LUG, IN 3/4" LFNC TO GROUND RING. PLINTH GROUNDING IS NOT REQUIRED."

(OPTIONAL) 2.5" KNOCKOUTS FOR ALARM & TEMP SENSOR ROUTING TO 6160

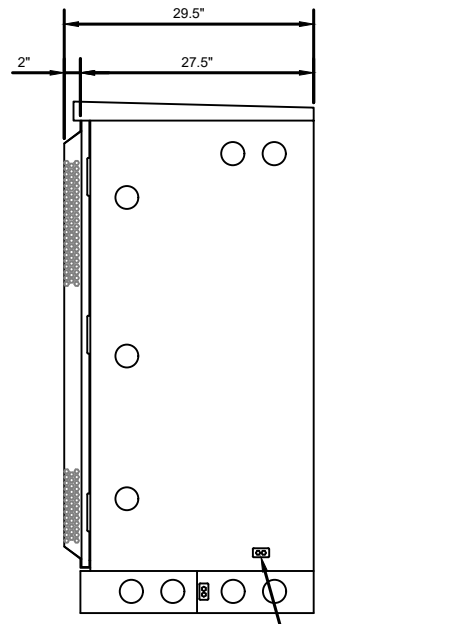
(OPTIONAL) 2.5" DC POWER KNOCKOUTS TO 6160



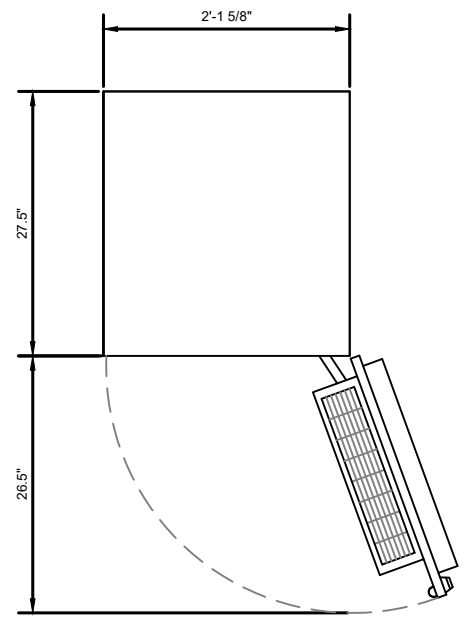
LEFT VIEW



FRONT VIEW



RIGHT VIEW

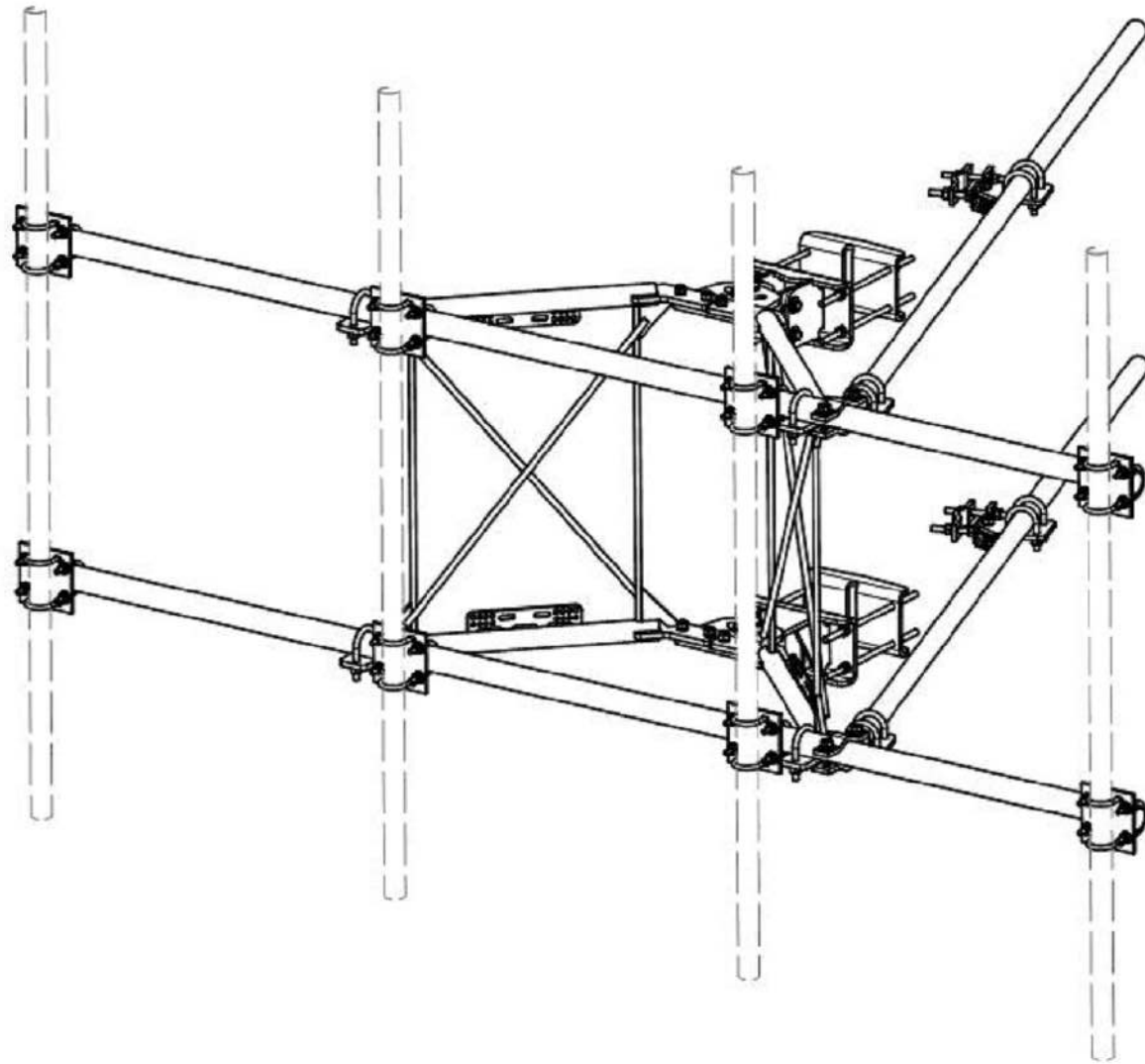


PLAN VIEW

B160 ERICSSON SITE SUPPORT BATTERY CABINET

NOTE: THIS SHEET WAS CREATED BY OTHERS AND PROVIDED AT THE REQUEST OF THE CUSTOMER WITHOUT EDIT.

SUPPLEMENTAL	
SHEET NUMBER: R-610	REVISION:



PARTS LIST						
ITEM	QTY	PART NO.	PART DESCRIPTION	LENGTH	UNIT WT.	NET WT.
1	2	X-VFAW	SUPPORT ARM		71.41	142.81
2	1	X-HDCAMTBW	CLAMP WELDMENT FOR BCAM-HD		33.86	33.86
3	1	X-MHTPHD	MULTI-HOLE TAPER PLATE WELDMENT		36.24	36.24
4	2	X-VFAPL4	VFA-HD PIVOT PLATE	12 in	15.88	31.77
5	2	X-LCBP4	BENT BACKING PLATE	13 in	19.00	38.01
6	1	X-HDCAMSS	ANGLE ADJUSTMENT WELDMENT FOR BCAM-HD		16.39	16.39
7	4	X-SPTB	SLIDING PIPE TIE BACK PLATE	5 1/2 in	5.87	23.49
8	1	X-HDCAMSP	POSITIONING PLATE WELDMENT FOR BCAM-HD		2.58	2.58
9	4	X-TBCA	TIE BACK CLIP ANGLE		2.01	8.02
10	8	5CX2	CROSSOVER PLATE	7 in	4.80	38.37
11	4	MCP	CLAMP HALF 1/2" THICK, 11-5/8" LONG	12 1/16 in	3.59	14.37
12	8	DCP	1/2" THICK, 5-3/4" CENTER TO CENTER CLAMP HALF	8 1/8 in	2.36	18.90
13	2	P2126	2-3/8" X 126" (2" SCH. 40) GALVANIZED PIPE	126 in	40.75	81.50
14	2	P30150	2-7/8" X 150" (2-1/2" SCH. 40) GALVANIZED PIPE	150 in	76.94	153.87
15	4	A34212	3/4" X 2-1/2" UNC HEX BOLT (A325)	2 1/2 in	0.48	1.92
16	4	G34FW	3/4" HDG USS FLATWASHER		0.06	0.24
17	4	G34LW	3/4" HDG LOCKWASHER		0.04	0.17
18	4	G34NUT	3/4" HDG HEAVY 2H HEX NUT		0.21	0.85
19	8	G58R-18	5/8" X 18" THREADED ROD (HDG.)	18 in	0.40	3.19
20	4	G58R-12	5/8" X 12" THREADED ROD (HDG.)		1.05	4.18
21	4	G58R-8	5/8" X 8" THREADED ROD (HDG.)		0.70	2.79
22	4	X-UB5300	5/8" X 3" X 5-1/4" X 2-1/2" U-BOLT (HDG.)		1.15	4.60
23	8	X-UB5258	5/8" X 2-5/8" X 4-1/2" X 2" U-BOLT (HDG.)		1.00	8.00
24	2	G5807	5/8" X 7" HDG HEX BOLT GR5 FULL THREAD	7 in	0.70	1.41
25	1	G5806	5/8" X 6" HDG HEX BOLT GR5 FULL THREAD	6 in	0.62	0.62
26	8	G5804	5/8" X 4" HDG HEX BOLT GR5		0.44	3.55
27	4	G5802	5/8" X 2" HDG HEX BOLT GR5		0.27	1.08
28	8	A582114	5/8" X 2-1/4" HDG A325 HEX BOLT	2 1/4 in	0.31	2.50
29	25	G58FW	5/8" HDG USS FLATWASHER	1/8 in	0.07	1.76
30	66	G58LW	5/8" HDG LOCKWASHER		0.03	1.72
31	71	G58NUT	5/8" HDG HEAVY 2H HEX NUT		0.13	9.22
32	32	X-UB1300	1/2" X 3" X 5" X 2" GALV U-BOLT		0.74	23.64
33	16	X-UB1212	1/2" X 2" X 3" X 1-1/4" U-BOLT (HDG.)		0.60	9.56
34	64	G12FW	1/2" HDG USS FLATWASHER	3/32 in	0.03	2.18
35	64	G12LW	1/2" HDG LOCKWASHER	1/8 in	0.01	0.89
36	64	G12NUT	1/2" HDG HEAVY 2H HEX NUT		0.07	4.58
					TOTAL WT. #	738.06

REV	DESCRIPTION OF REVISIONS	CPD	BY	DATE
D	UPDATED BCAM VERSION 1 TO BCAM VERSION 2		CEK	6/29/2018
C	UPDATED PIN LEG CONNECTION TO B-CAM CONNECTION		CEK	12/7/2017
B	CHANGED TIE-BACK BACK CONNECTION		CEK	7/31/2017
A	CHANGED TIE-BACK FRONT CONNECTION		CEK	2/2/2017

TOLERANCE NOTES

TOLERANCES ON DIMENSIONS, UNLESS OTHERWISE NOTED ARE:
 SAWED, SHEARED AND GAS CUT EDGES ($\pm 0.030"$)
 DRILLED AND GAS CUT HOLES ($\pm 0.030"$) - NO CONING OF HOLES
 LASER CUT EDGES AND HOLES ($\pm 0.010"$) - NO CONING OF HOLES
 BENDS ARE $\pm 1/2$ DEGREE
 ALL OTHER MACHINING ($\pm 0.030"$)
 ALL OTHER ASSEMBLY ($\pm 0.000"$)

PROPRIETARY NOTE:
 THE DATA AND TECHNIQUES CONTAINED IN THIS DRAWING ARE PROPRIETARY INFORMATION OF VALMONT INDUSTRIES AND CONSIDERED A TRADE SECRET. ANY USE OR DISCLOSURE WITHOUT THE CONSENT OF VALMONT INDUSTRIES IS STRICTLY PROHIBITED.

DESCRIPTION
 12' 6" HEAVY DUTY
 V-FRAME ASSEMBLY
 WITH TWO STIFF ARMS

SITE PRO 1
 Engineering Support Team:
 1-888-753-7446
 Locations:
 New York, NY
 Atlanta, GA
 Los Angeles, CA
 Plymouth, IN
 Salem, OR
 Dallas, TX

CPD NO.	DRAWN BY	ENG. APPROVAL	PART NO.
	CEK 1/25/2017		VFA12-HD
CLASS	DRAWING USAGE	CHECKED BY	DWG. NO.
81 02	CUSTOMER	BMC 12/13/2017	VFA12-HD

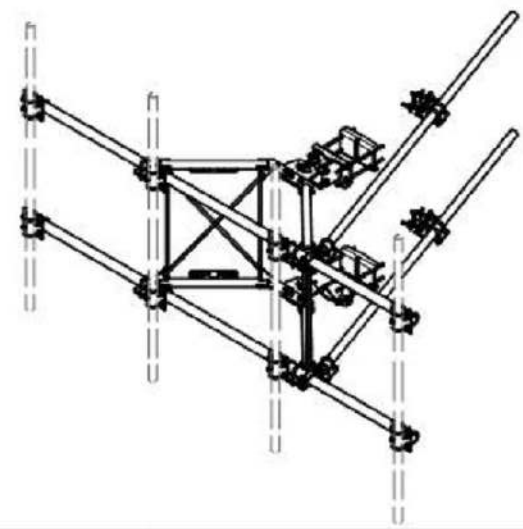
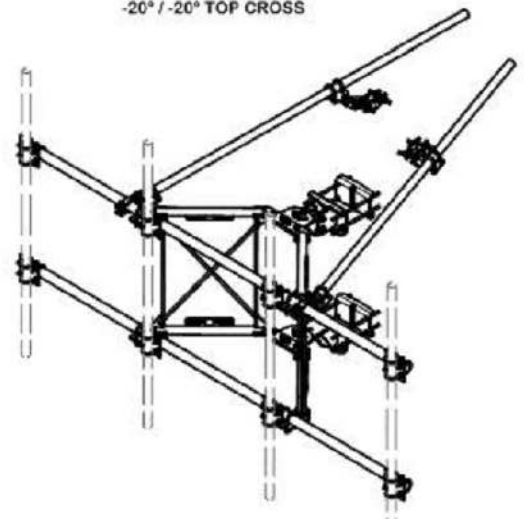
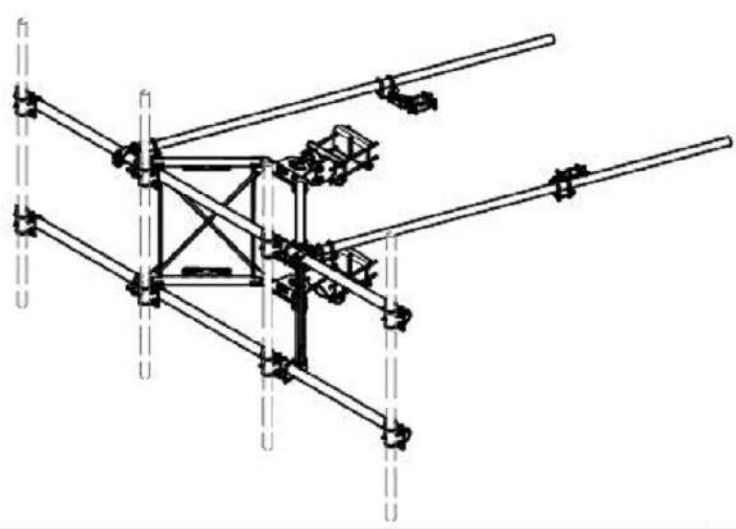
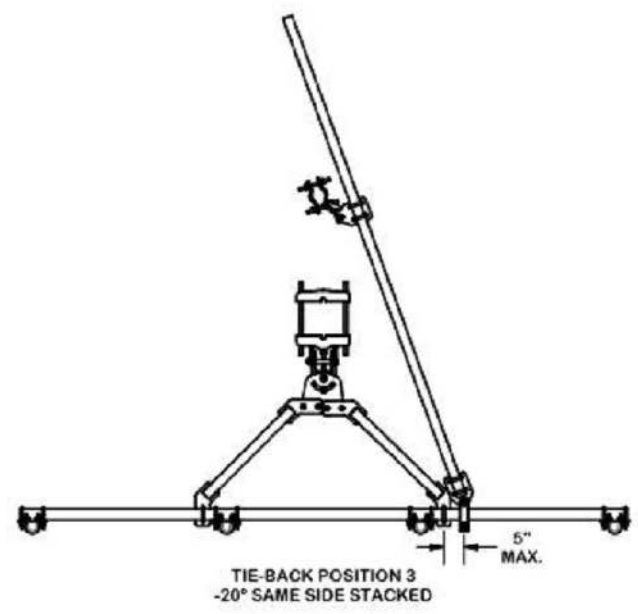
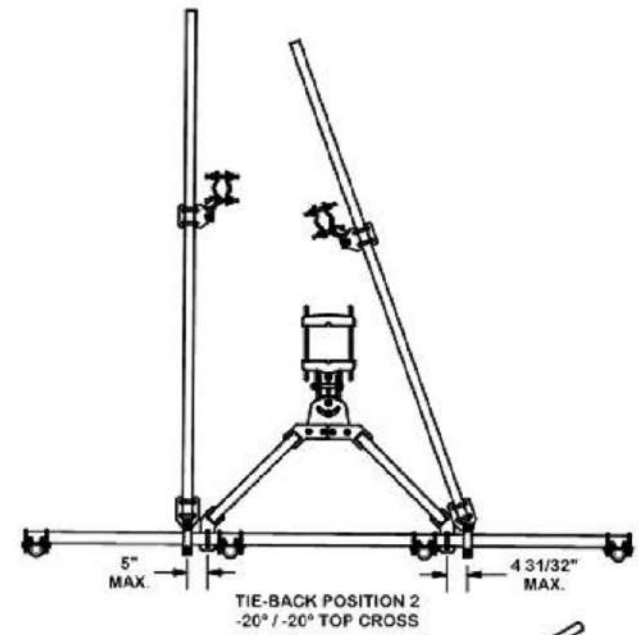
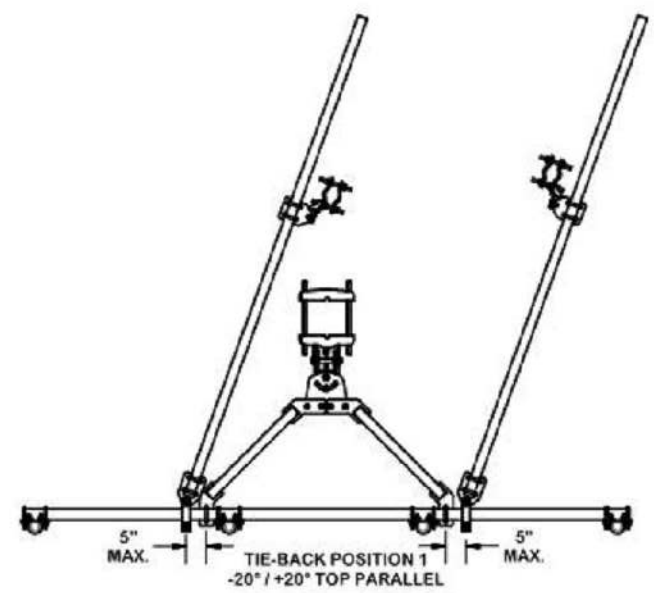
PAGE
1 OF 5

SUPPLEMENTAL

SHEET NUMBER:
R-611

REVISION:

TIE-BACK POSITIONS



REV	DESCRIPTION OF REVISIONS	CPD	BY	DATE
D	UPDATED BCAM VERSION 1 TO BCAM VERSION 2		CEK	6/29/2018
C	UPDATED PIN LEG CONNECTION TO B-CAM CONNECTION		CEK	12/7/2017
B	CHANGED TIE-BACK BACK CONNECTION		CEK	7/31/2017
A	CHANGED TIE-BACK FRONT CONNECTION		CEK	2/2/2017
REVISION HISTORY				

TOLERANCE NOTES
 TOLERANCES ON DIMENSIONS, UNLESS OTHERWISE NOTED ARE:
 SAWED, SHEARED AND GAS CUT EDGES (± 0.030)
 DRILLED AND GAS CUT HOLES (± 0.030) - NO CONING OF HOLES
 LASER CUT EDGES AND HOLES (± 0.010) - NO CONING OF HOLES
 BENDS ARE $\pm 1/2$ DEGREE
 ALL OTHER MACHINING (± 0.030)
 ALL OTHER ASSEMBLY (± 0.030)

PROPRIETARY NOTE:
 THE DATA AND TECHNIQUES CONTAINED IN THIS DRAWING ARE PROPRIETARY INFORMATION OF VALMONT INDUSTRIES AND CONSIDERED A TRADE SECRET. ANY USE OR DISCLOSURE WITHOUT THE CONSENT OF VALMONT INDUSTRIES IS STRICTLY PROHIBITED.

DESCRIPTION		12' 6" HEAVY DUTY V-FRAME ASSEMBLY WITH TWO STIFF ARMS	
CPD NO.	DRAWN BY	ENG. APPROVAL	
81	CEK 1/25/2017	BMC 12/13/2017	
SUB	DRAWING USAGE	CHECKED BY	
02	CUSTOMER		

Locations:
 New York, NY
 Atlanta, GA
 Los Angeles, CA
 Plymouth, IN
 Salem, OR
 Dallas, TX

Engineering Support Team:
 1-888-753-7446

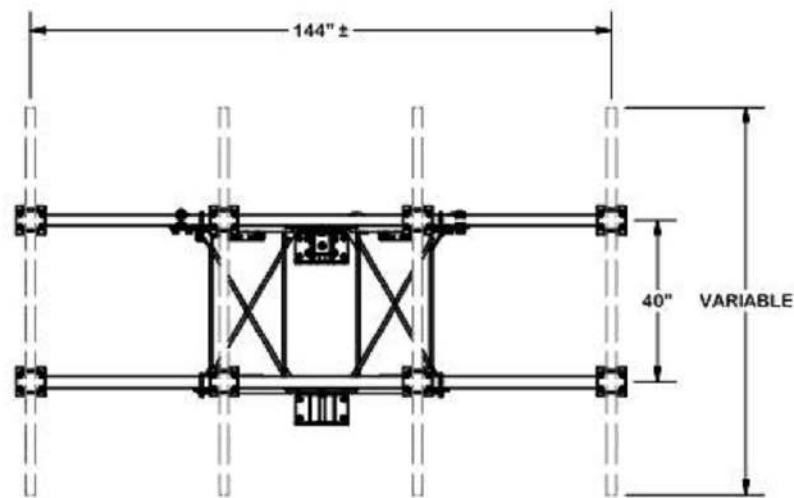
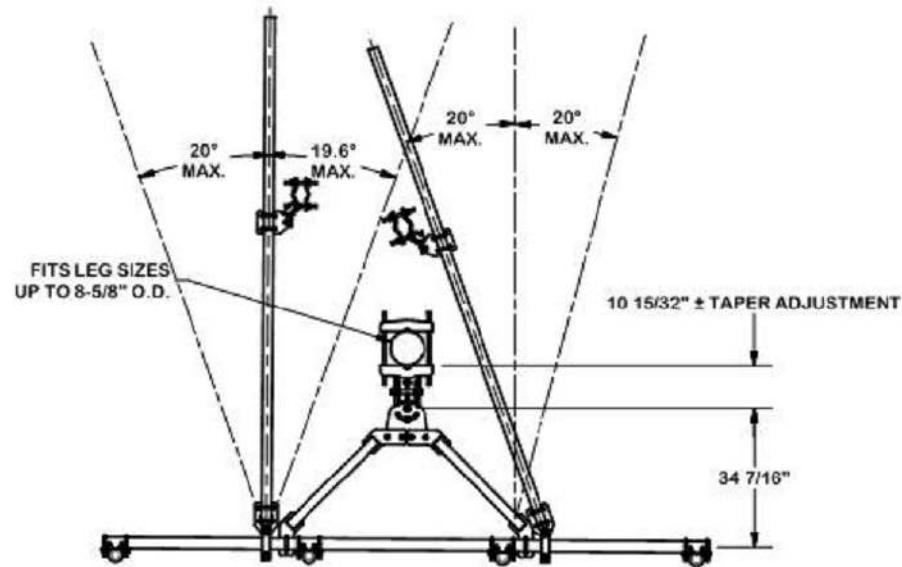
PART NO.	VFA12-HD
DWG. NO.	VFA12-HD

PAGE 2 OF 5

SUPPLEMENTAL

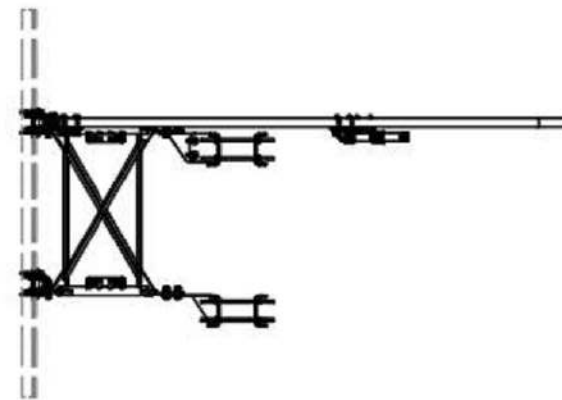
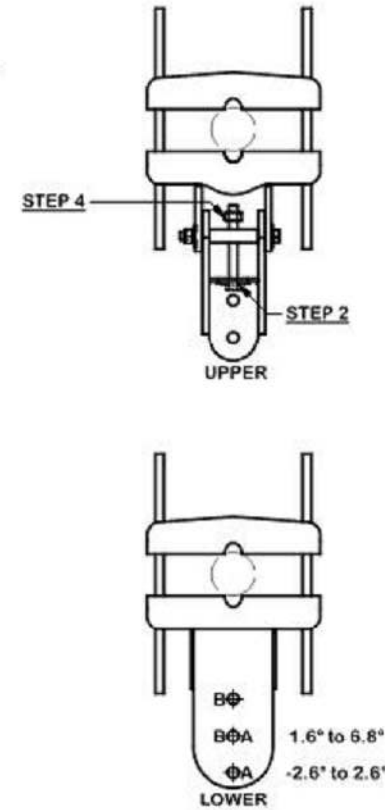
SHEET NUMBER:
R-612

REVISION:



ANGLE CALIBRATING PROCEDURE:

1. MEASURE TOWER TAPER AND PICK LOWER BRACKET HOLE:
 - HOLE A = -2.6° TO 2.6°
 - HOLE B = 1.6° TO 6.8°
2. USE CALIBRATING BOLT TO ADJUST FRAME TO DESIRED TAPER
3. TORQUE LOCKING BOLTS TO 100 ft.-lbs.
4. ADVANCE LOCKING NUT TO POSITIONING PLATE, THEN TIGHTEN.



REV	DESCRIPTION OF REVISIONS	CPD	BY	DATE
D	UPDATED BCAM VERSION 1 TO BCAM VERSION 2		CEK	6/29/2018
C	UPDATED PIN LEG CONNECTION TO B-CAM CONNECTION		CEK	12/7/2017
B	CHANGED TIE-BACK BACK CONNECTION		CEK	7/31/2017
A	CHANGED TIE-BACK FRONT CONNECTION		CEK	2/2/2017

TOLERANCE NOTES
 TOLERANCES ON DIMENSIONS, UNLESS OTHERWISE NOTED ARE:
 SAWED, SHEARED AND GAS CUT EDGES (± 0.030)
 DRILLED AND GAS CUT HOLES (± 0.030) - NO CONING OF HOLES
 LASER CUT EDGES AND HOLES (± 0.010) - NO CONING OF HOLES
 BENDS ARE $\pm 1/2$ DEGREE
 ALL OTHER MACHINING (± 0.030)
 ALL OTHER ASSEMBLY (± 0.080)

PROPRIETARY NOTE:
 THE DATA AND TECHNIQUES CONTAINED IN THIS DRAWING ARE PROPRIETARY INFORMATION OF VALMONT INDUSTRIES AND CONSIDERED A TRADE SECRET. ANY USE OR DISCLOSURE WITHOUT THE CONSENT OF VALMONT INDUSTRIES IS STRICTLY PROHIBITED.

DESCRIPTION		12' 6" HEAVY DUTY V-FRAME ASSEMBLY WITH TWO STIFF ARMS	
CPD NO.	DRAWN BY	ENG. APPROVAL	PART NO.
	CEK 1/25/2017		VFA12-HD
CLASS	SUB	DRAWING USAGE	CHECKED BY
81	02	CUSTOMER	BMC 12/13/2017

A valmont CONCOR logo

Locations:
 New York, NY
 Atlanta, GA
 Los Angeles, CA
 Plymouth, IN
 Salem, OR
 Dallas, TX

Engineering
 Support Team:
 1-888-753-7446

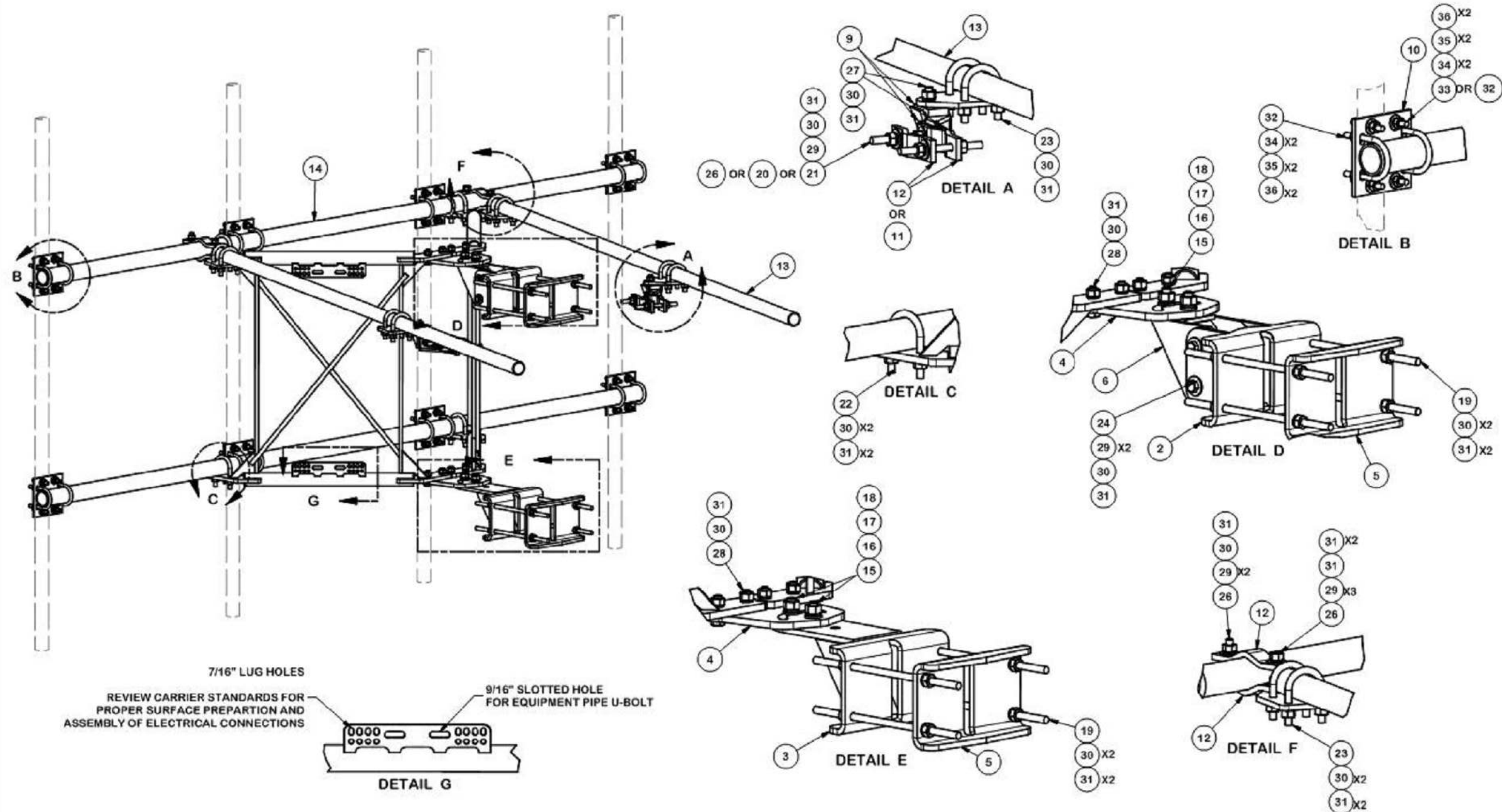
DWG. NO.	VFA12-HD
----------	----------

PAGE 3 OF 5

SUPPLEMENTAL

SHEET NUMBER:
R-613

REVISION:



7/16" LUG HOLES
 REVIEW CARRIER STANDARDS FOR PROPER SURFACE PREPARATION AND ASSEMBLY OF ELECTRICAL CONNECTIONS

9/16" SLOTTED HOLE FOR EQUIPMENT PIPE U-BOLT

DETAIL G

TOLERANCE NOTES
 TOLERANCES ON DIMENSIONS, UNLESS OTHERWISE NOTED ARE:
 SAWED, SHEARED AND GAS CUT EDGES ($\pm 0.050"$)
 DRILLED AND GAS CUT HOLES ($\pm 0.050"$) - NO CONING OF HOLES
 LASER CUT EDGES AND HOLES ($\pm 0.010"$) - NO CONING OF HOLES
 BENDS ARE $\pm 1/2$ DEGREE
 ALL OTHER MACHINING ($\pm 0.030"$)
 ALL OTHER ASSEMBLY ($\pm 0.060"$)

PROPRIETARY NOTE:
 THE DATA AND TECHNIQUES CONTAINED IN THIS DRAWING ARE PROPRIETARY INFORMATION OF VALMONT INDUSTRIES AND CONSIDERED A TRADE SECRET. ANY USE OR DISCLOSURE WITHOUT THE CONSENT OF VALMONT INDUSTRIES IS STRICTLY PROHIBITED.

DESCRIPTION
 12' 6" HEAVY DUTY V-FRAME ASSEMBLY WITH TWO STIFF ARMS

CPD NO.	DRAWN BY CEK 1/25/2017	ENG. APPROVAL
CLASS 81	SUB 02	DRAWING USAGE CUSTOMER
	CHECKED BY BMC 12/13/2017	

SITE PRO
 A valmont COMPANY

Locations:
 New York, NY
 Atlanta, GA
 Los Angeles, CA
 Plymouth, IN
 Salem, OR
 Dallas, TX

Engineering Support Team:
 1-888-753-7446

PART NO. VFA12-HD	PAGE 4 OF 5
DWG. NO. VFA12-HD	

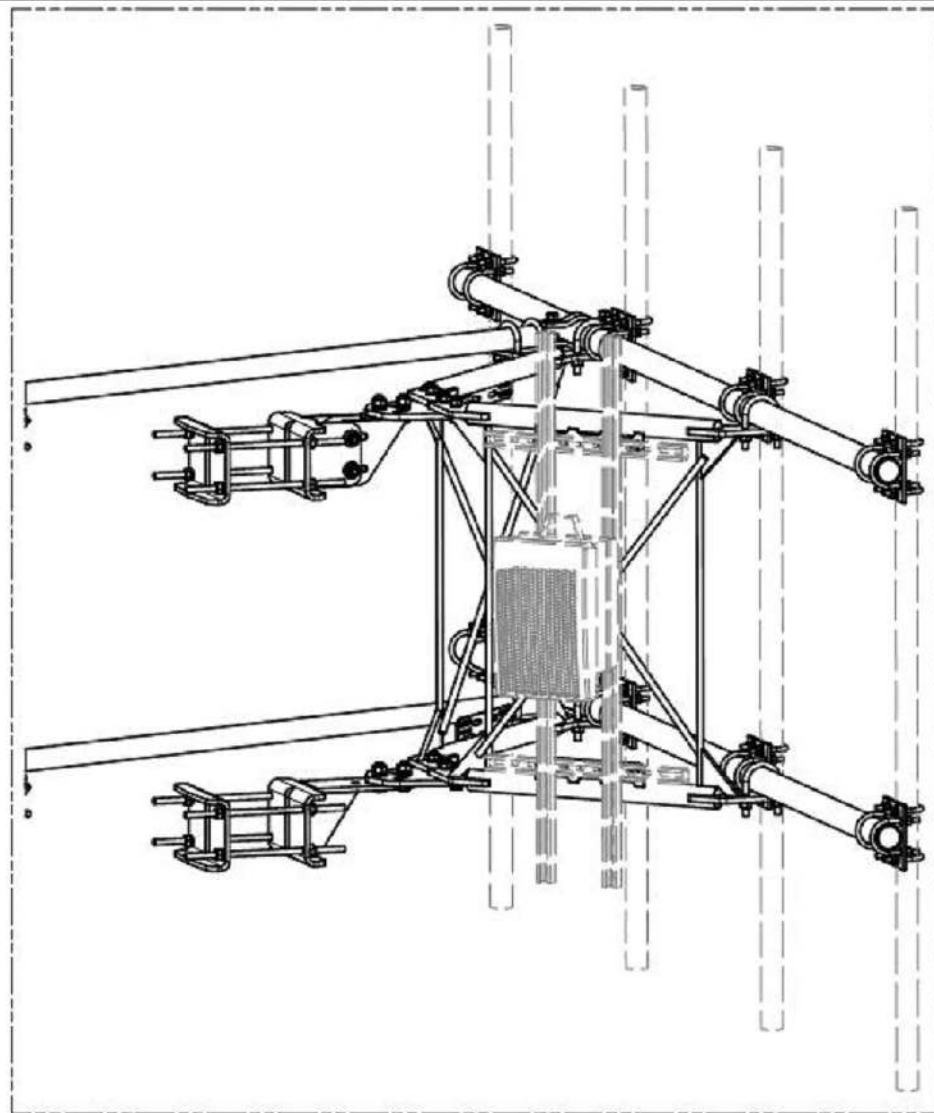
REV	DESCRIPTION OF REVISIONS	CPD	BY	DATE
D	UPDATED BCAM VERSION 1 TO BCAM VERSION 2		CEK	6/29/2018
C	UPDATED PIN LEG CONNECTION TO B-CAM CONNECTION		CEK	12/7/2017
B	CHANGED TIE-BACK BACK CONNECTION		CEK	7/31/2017
A	CHANGED TIE-BACK FRONT CONNECTION		CEK	2/2/2017
	REVISION HISTORY			

SUPPLEMENTAL

SHEET NUMBER:
R-614

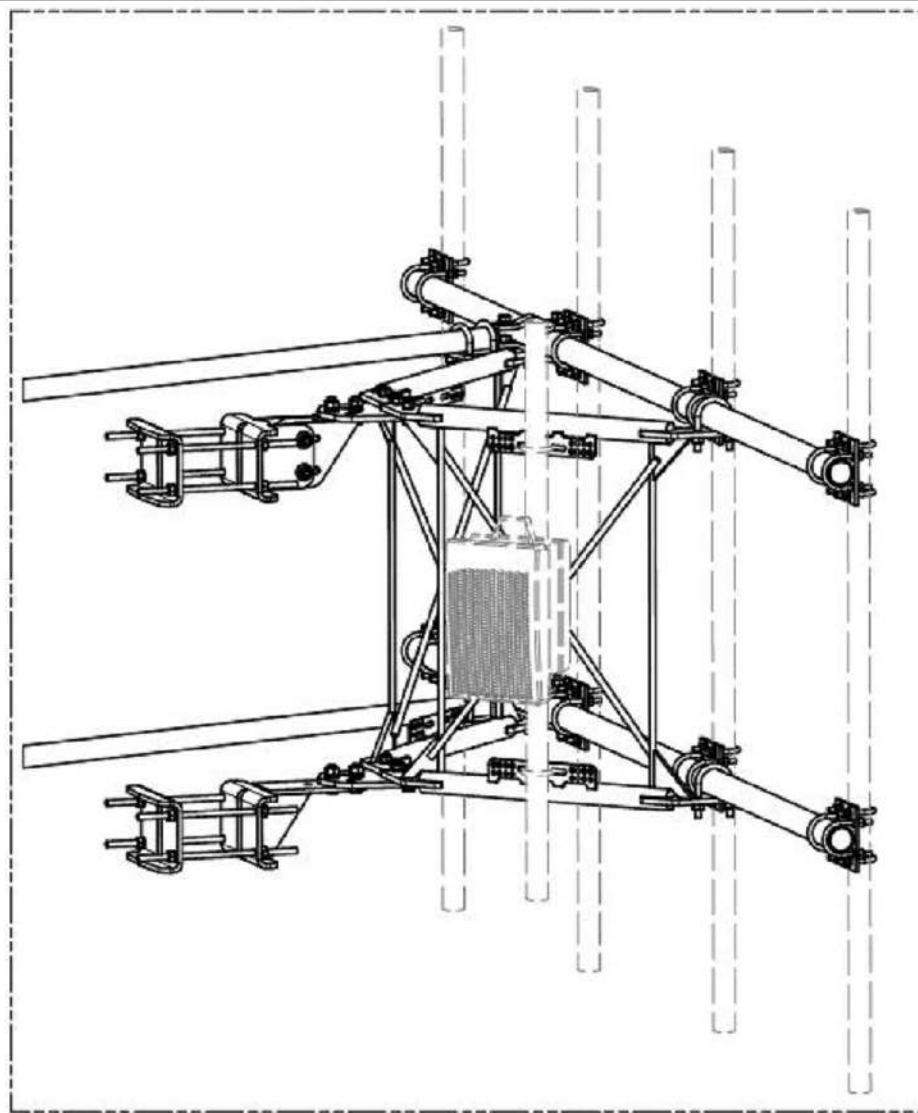
REVISION:

NOTE: THIS SHEET CREATED BY OTHERS AND PROVIDED BY REQUEST OF CUSTOMER WITHOUT EDIT.



UNISTRUT AND HARDWARE
SOLD SEPARATELY.

REQUIRES 3/8" HARDWARE



EQUIPMENT PIPE AND HARDWARE
SOLD SEPARATELY.

REQUIRES 1/2" HARDWARE
AND 2-3/8" TO 4-1/2" O.D. PIPE

REV	DESCRIPTION OF REVISIONS	CPD	BY	DATE
D	UPDATED BCAM VERSION 1 TO BCAM VERSION 2		CEK	6/29/2018
C	UPDATED PIN LEG CONNECTION TO B-CAM CONNECTION		CEK	12/7/2017
B	CHANGED TIE-BACK BACK CONNECTION		CEK	7/31/2017
A	CHANGED TIE-BACK FRONT CONNECTION		CEK	2/2/2017

REVISION HISTORY

TOLERANCE NOTES

TOLERANCES ON DIMENSIONS, UNLESS OTHERWISE NOTED ARE:
 SAWED, SHEARED AND GAS CUT EDGES ($\pm 0.030"$)
 DRILLED AND GAS CUT HOLES ($\pm 0.030"$) - NO CONING OF HOLES
 LASER CUT EDGES AND HOLES ($\pm 0.010"$) - NO CONING OF HOLES
 BENDS ARE $\pm 1/2$ DEGREE
 ALL OTHER MACHINING ($\pm 0.030"$)
 ALL OTHER ASSEMBLY ($\pm 0.060"$)

PROPRIETARY NOTE:
 THE DATA AND TECHNIQUES CONTAINED IN THIS DRAWING ARE PROPRIETARY INFORMATION OF VALMONT
 INDUSTRIES AND CONSIDERED A TRADE SECRET. ANY USE OR DISCLOSURE WITHOUT THE CONSENT OF
 VALMONT INDUSTRIES IS STRICTLY PROHIBITED.

DESCRIPTION	
12' 6" HEAVY DUTY V-FRAME ASSEMBLY WITH TWO STIFF ARMS	
CPD NO.	DRAWN BY
	CEK 1/25/2017
CLASS	ENG. APPROVAL
81	CHECKED BY
02	BMC 12/13/2017
DRAWING USAGE	CUSTOMER

 A valmont COMBUSTION	Locations: New York, NY Atlanta, GA Los Angeles, CA Plymouth, IN Salem, OR Dallas, TX
	Engineering Support Team: 1-888-753-7446
PART NO.	VFA12-HD
OWG. NO.	VFA12-HD

PAGE
5 OF 5

SUPPLEMENTAL

SHEET NUMBER:
R-615

REVISION:

NOTE: THIS SHEET CREATED BY OTHERS AND PROVIDED
BY REQUEST OF CUSTOMER WITHOUT EDIT.