

RE: 6260876
2265-C-3Car FE

MiTek, Inc.
16023 Swingley Ridge Rd.
Chesterfield, MO 63017
314.434.1200

Site Information:

Customer: Adams Homes-Gainesville Project Name: 6260876
 Lot/Block: 023 Model: 2265C 3Car-FE
 Address: 271 SW Bellflower Dr. . Subdivision: The Preserve at Laurel Lake
 City: Lake City State: FL

General Truss Engineering Criteria & Design Loads (Individual Truss Design Drawings Show Special Loading Conditions):

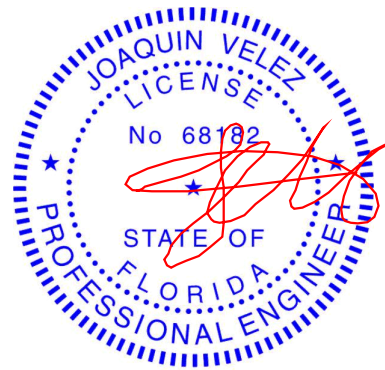
Design Code: FBC2023/TPI2014 Design Program: MiTek 20/20 8.8
 Wind Code: ASCE 7-22 Wind Speed: 130 mph
 Roof Load: 40.0 psf Floor Load: N/A psf

This package includes 48 individual, dated Truss Design Drawings and 0 Additional Drawings.
 With my seal affixed to this sheet, I hereby certify that I am the Truss Design Engineer and this index sheet conforms to 61G15-31.003, section 5 of the Florida Board of Professional Engineers Rules.

No.	Seal#	Truss Name	Date	No.	Seal#	Truss Name	Date
1	T39255655	A1	11/20/2025	21	T39255675	B1X	11/20/2025
2	T39255656	A2	11/20/2025	22	T39255676	B2	11/20/2025
3	T39255657	A3	11/20/2025	23	T39255677	B3	11/20/2025
4	T39255658	A4	11/20/2025	24	T39255678	B4	11/20/2025
5	T39255659	A5	11/20/2025	25	T39255679	B5	11/20/2025
6	T39255660	A6	11/20/2025	26	T39255680	B6	11/20/2025
7	T39255661	A7	11/20/2025	27	T39255681	B7	11/20/2025
8	T39255662	A8	11/20/2025	28	T39255682	CJ1	11/20/2025
9	T39255663	A9	11/20/2025	29	T39255683	CJ3	11/20/2025
10	T39255664	A10	11/20/2025	30	T39255684	CJ3A	11/20/2025
11	T39255665	A11	11/20/2025	31	T39255685	CJ5	11/20/2025
12	T39255666	A12	11/20/2025	32	T39255686	CJ5A	11/20/2025
13	T39255667	A13	11/20/2025	33	T39255687	E01X	11/20/2025
14	T39255668	A14	11/20/2025	34	T39255688	E02	11/20/2025
15	T39255669	A15	11/20/2025	35	T39255689	E02X	11/20/2025
16	T39255670	A16	11/20/2025	36	T39255690	E03	11/20/2025
17	T39255671	A17	11/20/2025	37	T39255691	EJ2	11/20/2025
18	T39255672	A18	11/20/2025	38	T39255692	EJ7	11/20/2025
19	T39255673	A19	11/20/2025	39	T39255693	EJ7V	11/20/2025
20	T39255674	B1	11/20/2025	40	T39255694	EJ7W	11/20/2025

The truss drawing(s) referenced above have been prepared by MiTek USA, Inc under my direct supervision based on the parameters provided by Tibbetts Lumber Co., LLC.
 Truss Design Engineer's Name: Velez, Joaquin
 My license renewal date for the state of Florida is February 28, 2027.
 Florida COA: 6634

IMPORTANT NOTE: The seal on these truss component designs is a certification that the engineer named is licensed in the jurisdiction(s) identified and that the designs comply with ANSI/TPI 1. These designs are based upon parameters shown (e.g., loads, supports, dimensions, shapes and design codes), which were given to MiTek. Any project specific information included is for MiTek customers file reference purpose only, and was not taken into account in the preparation of these designs. MiTek has not independently verified the applicability of the design parameters or the designs for any particular building. Before use, the building designer should verify applicability of design parameters and properly incorporate these designs into the overall building design per ANSI/TPI 1, Chapter 2.



Joaquin Velez PE No.68182
 MiTek Inc. DBA MiTek USA FL Cert 6634
 16023 Swingley Ridge Rd. Chesterfield, MO 63017
 Date:

November 20, 2025



RE: 6260876 - 2265-C-3Car FE

MiTek, Inc.
16023 Swingley Ridge Rd.
Chesterfield, MO 63017
314.434.1200

Site Information:

Project Customer: Adams Homes-Gainesville Project Name: 6260876
Lot/Block: 023 Subdivision: The Preserve at Laurel Lake
Address: 271 SW Bellflower Dr. .
City, County: Lake City State: FL

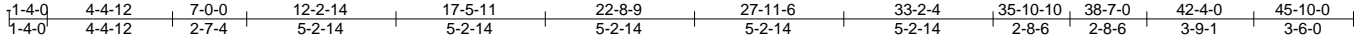
No.	Seal#	Truss Name	Date
41	T39255695	EJ7X	11/20/2025
42	T39255696	EJ7Y	11/20/2025
43	T39255697	EJ7Z	11/20/2025
44	T39255698	HJ1	11/20/2025
45	T39255699	HJ3	11/20/2025
46	T39255700	MG1	11/20/2025
47	T39255701	MG2	11/20/2025
48	T39255702	PB1	11/20/2025

Job 6260876	Truss A1	Truss Type Half Hip Girder	Qty 1	Ply 2	2265-C-3Car FE	T39255655
----------------	-------------	-------------------------------	----------	----------	----------------	-----------

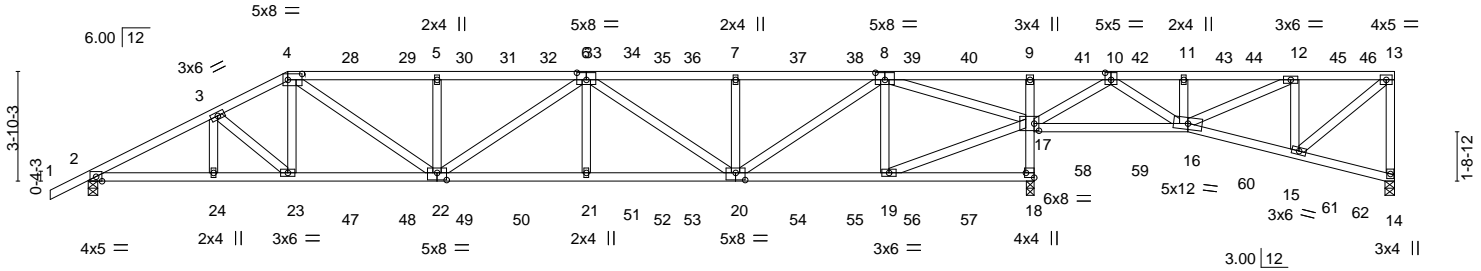
Tibbetts Lumber Co., LLC (Ocala, FL), Ocala, FL - 34472,

8.830 s Sep 3 2025 MiTek Industries, Inc. Thu Nov 20 07:02:48 2025 Page 1

ID:BVCP0onomzlvFXJ68ELDtZyqlf8-xAofRHXLe1cxSemvVsXisvTFR9SZ6OUf7ZGCyHMg5



Scale = 1:80.8



4-4-12	7-0-0	12-2-14	17-5-11	22-8-9	27-11-6	33-2-4	38-7-0	42-4-0	45-10-0
4-4-12	2-7-4	5-2-14	5-2-14	5-2-14	5-2-14	5-1-4	0-1-10	5-4-12	3-9-1
Plate Offsets (X,Y)-- [4:0-6-0,0-2-8], [6:0-4-0,0-3-0], [8:0-4-0,0-3-0], [10:0-2-8,0-3-0], [17:0-2-0,0-3-0], [18:Edge,0-3-8], [20:0-4-0,0-3-0], [22:0-4-0,0-3-0]									

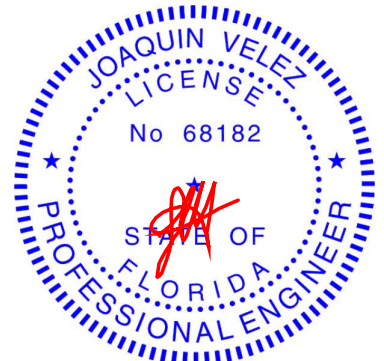
LOADING (psf)	SPACING-	CSI.	DEFL.	PLATES	GRIP
TCLL 20.0	Plate Grip DOL 1.25	TC 0.79	Vert(LL) -0.21 21-22 >999 360	MT20	244/190
TCDL 10.0	Lumber DOL 1.25	BC 0.81	Vert(CT) -0.42 21-22 >941 240		
BCLL 0.0 *	Rep Stress Incr NO	WB 0.69	Horz(CT) 0.10 18 n/a n/a		
BCDL 10.0	Code FBC2023/TP12014	Matrix-MS	Wind(LL) 0.12 21-22 >999 240	Weight: 518 lb	FT = 20%

LUMBER-	BRACING-
TOP CHORD 2x4 SP No.2	TOP CHORD Structural wood sheathing directly applied or 4-7-1 oc purlins, except end verticals.
BOT CHORD 2x4 SP No.2	BOT CHORD Rigid ceiling directly applied or 5-5-14 oc bracing.
WEBS 2x4 SP No.2	

REACTIONS. (size) 14=0-4-0, 2=0-4-0, 18=0-3-4
 Max Horz 2=108(LC 27)
 Max Uplift 14=-59(LC 5), 2=-108(LC 8), 18=-239(LC 8)
 Max Grav 14=548(LC 20), 2=2633(LC 1), 18=4889(LC 1)

FORCES. (lb) - Max. Comp./Max. Ten. - All forces 250 (lb) or less except when shown.
 TOP CHORD 2-3=-5210/138, 3-4=-5056/149, 4-5=-5953/215, 5-6=-5953/215, 6-7=-4645/200, 7-8=-4645/200, 8-9=-167/3775, 9-10=-197/3863, 10-11=-11/283, 11-12=-17/315, 12-13=-360/49, 13-14=-472/100
 BOT CHORD 2-24=-169/4603, 23-24=-169/4603, 22-23=-139/4531, 21-22=-242/5969, 20-21=-242/5969, 19-20=-81/1922, 17-18=-4736/308, 9-17=-580/149, 16-17=-1860/35, 15-16=-52/388
 WEBS 3-23=-262/130, 4-23=0/683, 4-22=-92/1757, 5-22=-645/174, 6-21=0/443, 6-20=-1600/51, 7-20=-659/190, 8-20=-143/3291, 8-19=-392/172, 17-19=-93/2134, 8-17=-6052/264, 10-17=-2380/192, 10-16=-46/1905, 11-16=-407/103, 12-16=-742/43, 13-15=-62/447

- NOTES-**
- 2-ply truss to be connected together with 10d (0.131"x3") nails as follows:
 Top chords connected as follows: 2x4 - 1 row at 0-9-0 oc.
 Bottom chords connected as follows: 2x4 - 1 row at 0-9-0 oc.
 Webs connected as follows: 2x4 - 1 row at 0-9-0 oc.
 - All loads are considered equally applied to all plies, except if noted as front (F) or back (B) face in the LOAD CASE(S) section. Ply to ply connections have been provided to distribute only loads noted as (F) or (B), unless otherwise indicated.
 - Unbalanced roof live loads have been considered for this design.
 - Wind: ASCE 7-22; Vult=130mph (3-second gust) Vasd=101mph; TCDL=4.2psf; BCDL=6.0psf; h=15ft; B=45ft; L=46ft; eave=6ft; Cat. II; Exp B; Encl., GCpi=0.18; MWFRS (directional); cantilever left and right exposed ; Lumber DOL=1.60 plate grip DOL=1.60
 - Building Designer / Project engineer responsible for verifying applied roof live load shown covers rain loading requirements specific to the use of this truss component.
 - Provide adequate drainage to prevent water ponding.
 - This truss has been designed for a 10.0 psf bottom chord live load nonconcurrent with any other live loads.
 - * This truss has been designed for a live load of 20.0psf on the bottom chord in all areas where a rectangle 3-6-0 tall by 2-0-0 wide will fit between the bottom chord and any other members.
 - Bearing at joint(s) 14 considers parallel to grain value using ANSI/TP1 1 angle to grain formula. Building designer should verify capacity of bearing surface.
 - 10) Provide mechanical connection (by others) of truss to bearing plate capable of withstanding 100 lb uplift at joint(s) 14 except (jt=lb) 2=108, 18=239.



Joaquin Velez PE No.68182
 MiTek Inc. DBA MiTek USA FL Cert 6634
 16023 Swingley Ridge Rd. Chesterfield, MO 63017
 Date:

November 20,2025

Continued on page 2

WARNING - Verify design parameters and READ NOTES ON THIS AND INCLUDED MITEK REFERENCE PAGE MII-7473 rev. 1/2/2023 BEFORE USE.
 Design valid for use only with MiTek® connectors. This design is based only upon parameters shown, and is for an individual building component, not a truss system. Before use, the building designer must verify the applicability of design parameters and properly incorporate this design into the overall building design. Bracing indicated is to prevent buckling of individual truss web and/or chord members only. Additional temporary and permanent bracing is always required for stability and to prevent collapse with possible personal injury and property damage. For general guidance regarding the fabrication, storage, delivery, erection and bracing of trusses and truss systems, see **ANSI/TP1 Quality Criteria and DSB-22** available from Truss Plate Institute (www.tpinst.org) and **BCSI Building Component Safety Information** available from the Structural Building Component Association (www.sbcscomponents.com)



Job 6260876	Truss A1	Truss Type Half Hip Girder	Qty 1	Ply 2	2265-C-3Car FE Job Reference (optional)	T39255655
----------------	-------------	-------------------------------	----------	-----------------	--	-----------

Tibbetts Lumber Co., LLC (Ocala, FL), Ocala, FL - 34472,

8.830 s Sep 3 2025 MiTek Industries, Inc. Thu Nov 20 07:02:48 2025 Page 2
ID:BVCPOonomzlvFXJ68ELDtZyqlf8-xAofRHXLle1cxSemvVsXisvTFR9SZ6OUfl7ZGCyHMg5

NOTES-

11) Hanger(s) or other connection device(s) shall be provided sufficient to support concentrated load(s) 377 lb down and 202 lb up at 7-0-0, 111 lb down and 66 lb up at 9-0-12, 111 lb down and 66 lb up at 11-0-12, 111 lb down and 66 lb up at 13-0-12, 121 lb down and 75 lb up at 15-0-12, 121 lb down and 75 lb up at 17-0-12, 121 lb down and 75 lb up at 19-0-12, 121 lb down and 75 lb up at 21-0-12, 121 lb down and 75 lb up at 22-11-0, 121 lb down and 75 lb up at 24-9-4, 121 lb down and 75 lb up at 26-9-4, 121 lb down and 75 lb up at 28-9-4, 121 lb down and 75 lb up at 30-9-4, 121 lb down and 75 lb up at 32-9-4, 120 lb down and 74 lb up at 34-9-4, 120 lb down and 74 lb up at 36-9-4, 120 lb down and 74 lb up at 38-9-4, 126 lb down and 46 lb up at 40-9-4, 124 lb down and 64 lb up at 42-9-4, and 129 lb down and 75 lb up at 44-9-4, and 27 lb down and 23 lb up at 45-8-4 on top chord, and 365 lb down at 7-0-0, 87 lb down at 9-0-12, 87 lb down at 11-0-12, 87 lb down at 13-0-12, 89 lb down at 15-0-12, 89 lb down at 17-0-12, 89 lb down at 19-0-12, 89 lb down at 21-0-12, 89 lb down at 22-11-0, 89 lb down at 24-9-4, 89 lb down at 26-9-4, 89 lb down at 28-9-4, 89 lb down at 30-9-4, 89 lb down at 33-0-8, 87 lb down at 34-9-4, 87 lb down at 36-9-4, 87 lb down at 38-7-0, 71 lb down and 24 lb up at 40-9-4, and 66 lb down at 42-9-4, and 85 lb down at 44-9-4 on bottom chord. The design/selection of such connection device(s) is the responsibility of others.

LOAD CASE(S) Standard

1) Dead + Roof Live (balanced): Lumber Increase=1.25, Plate Increase=1.25

Uniform Loads (plf)

Vert: 1-4=-60, 4-13=-60, 18-25=-20, 16-17=-20, 14-16=-20

Concentrated Loads (lb)

Vert: 4=-330(B) 13=-14(B) 18=-69(B) 9=-121(B) 16=-70(B) 23=-365(B) 20=-69(B) 7=-121(B) 28=-111(B) 29=-111(B) 30=-111(B) 32=-121(B) 34=-121(B) 35=-121(B) 36=-121(B) 37=-121(B) 38=-121(B) 39=-121(B) 40=-121(B) 41=-120(B) 42=-120(B) 43=-120(B) 44=-119(B) 45=-124(B) 46=-129(B) 47=-82(B) 48=-82(B) 49=-82(B) 50=-69(B) 51=-69(B) 52=-69(B) 53=-69(B) 54=-69(B) 55=-69(B) 56=-69(B) 57=-69(B) 58=-70(B) 59=-70(B) 60=-71(B) 61=-66(B) 62=-64(B)

WARNING - Verify design parameters and READ NOTES ON THIS AND INCLUDED MITEK REFERENCE PAGE MII-7473 rev. 1/2/2023 BEFORE USE.

Design valid for use only with MiTek® connectors. This design is based only upon parameters shown, and is for an individual building component, not a truss system. Before use, the building designer must verify the applicability of design parameters and properly incorporate this design into the overall building design. Bracing indicated is to prevent buckling of individual truss web and/or chord members only. Additional temporary and permanent bracing is always required for stability and to prevent collapse with possible personal injury and property damage. For general guidance regarding the fabrication, storage, delivery, erection and bracing of trusses and truss systems, see **ANSI/TPI1 Quality Criteria and DSB-22** available from Truss Plate Institute (www.tpinst.org) and **BCSI Building Component Safety Information** available from the Structural Building Component Association (www.sbcsccomponents.com)

MiTek®

16023 Swingley Ridge Rd.
Chesterfield, MO 63017
314.434.1200 / MiTek-US.com

Job 6260876	Truss A2	Truss Type Half Hip	Qty 1	Ply 1	2265-C-3Car FE	T39255656
----------------	-------------	------------------------	----------	----------	----------------	-----------

Tibbetts Lumber Co., LLC (Ocala, FL), Ocala, FL - 34472,

8.830 s Sep 3 2025 MiTek Industries, Inc. Thu Nov 20 07:02:58 2025 Page 1

ID:BVCP0onozmzlvFXJ68ELDTZyqlf8-e5PRXiedOihB8_PhVc1t6zJDhtcEvhQzylY5bdyHMfx

Job Reference (optional)



Scale = 1:80.8

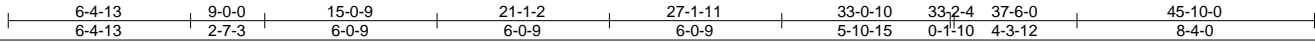
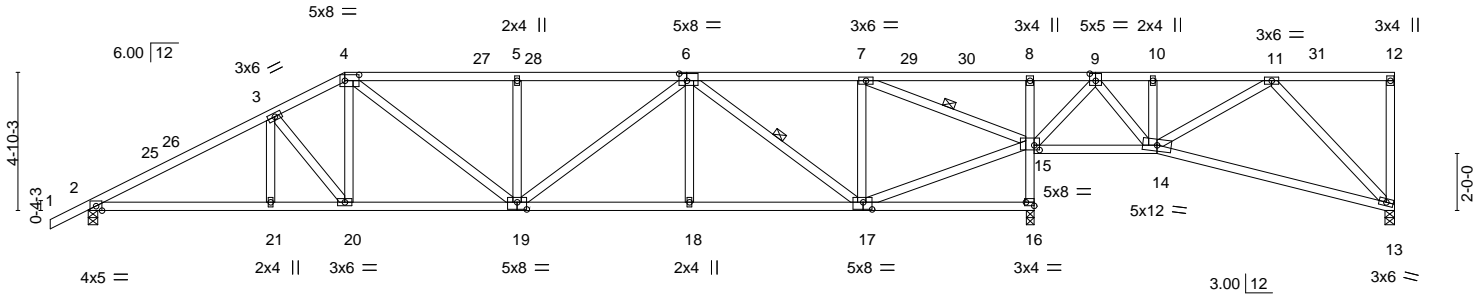


Plate Offsets (X,Y)-- [4:0-6-0,0-2-8], [6:0-3-4,0-3-0], [9:0-2-8,0-3-0], [15:0-2-4,0-2-0], [16:Edge,0-1-8], [17:0-3-12,0-3-0], [19:0-4-0,0-3-0]

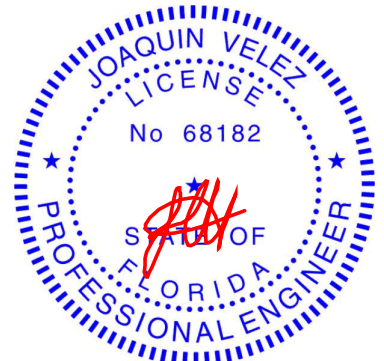
LOADING (psf)	SPACING-	CSI.	DEFL.	PLATES	GRIP
TCLL 20.0	Plate Grip DOL 1.25	TC 0.60	Vert(LL) -0.17 13-14 >913 360	MT20	244/190
TCDL 10.0	Lumber DOL 1.25	BC 0.66	Vert(CT) -0.33 13-14 >456 240		
BCLL 0.0 *	Rep Stress Incr YES	WB 0.46	Horz(CT) 0.08 16 n/a n/a		
BCDL 10.0	Code FBC2023/TPI2014	Matrix-MS	Wind(LL) 0.08 19 >999 240	Weight: 267 lb	FT = 20%

LUMBER-	BRACING-
TOP CHORD 2x4 SP No.2	TOP CHORD Structural wood sheathing directly applied or 3-2-15 oc purlins, except end verticals.
BOT CHORD 2x4 SP No.2	BOT CHORD Rigid ceiling directly applied or 3-11-3 oc bracing.
WEBS 2x4 SP No.2	WEBS 1 Row at midpt 6-17, 7-15

REACTIONS. (size) 13=0-4-0, 2=0-4-0, 16=0-3-4
 Max Horz 2=132(LC 12)
 Max Uplift 13=-32(LC 9), 2=-83(LC 12), 16=-108(LC 12)
 Max Grav 13=260(LC 24), 2=1302(LC 1), 16=2191(LC 1)

FORCES. (lb) - Max. Comp./Max. Ten. - All forces 250 (lb) or less except when shown.
 TOP CHORD 2-3=-2260/165, 3-4=-1957/179, 4-5=-2094/185, 5-6=-2094/185, 6-7=-848/53, 7-8=-93/1218, 8-9=-102/1245
 BOT CHORD 2-21=-220/1956, 20-21=-220/1956, 19-20=-167/1714, 18-19=-137/1797, 17-18=-135/1800, 15-16=-2139/181, 8-15=-305/78, 14-15=-701/68
 WEBS 3-20=-399/92, 4-20=-17/378, 4-19=-23/564, 5-19=-387/127, 6-19=-61/373, 6-17=-1182/102, 7-17=0/562, 15-17=-66/915, 7-15=-2258/159, 9-15=-814/56, 9-14=-35/743, 11-14=-379/91

- NOTES-**
- Unbalanced roof live loads have been considered for this design.
 - Wind: ASCE 7-22; Vult=130mph (3-second gust) Vasd=101mph; TCDL=4.2psf; BCDL=6.0psf; h=15ft; B=45ft; L=46ft; eave=6ft; Cat. II; Exp B; Encl., GCpi=0.18; MWFRS (directional) and C-C Zone3 -1-4-0 to 3-3-0, Zone1 3-3-0 to 9-0-0, Zone2 9-0-0 to 15-5-12, Zone1 15-5-12 to 45-8-4 zone; cantilever left and right exposed ;C-C for members and forces & MWFRS for reactions shown; Lumber DOL=1.60 plate grip DOL=1.60
 - Building Designer / Project engineer responsible for verifying applied roof live load shown covers rain loading requirements specific to the use of this truss component.
 - Provide adequate drainage to prevent water ponding.
 - This truss has been designed for a 10.0 psf bottom chord live load nonconcurrent with any other live loads.
 - * This truss has been designed for a live load of 20.0psf on the bottom chord in all areas where a rectangle 3-6-0 tall by 2-0-0 wide will fit between the bottom chord and any other members.
 - Bearing at joint(s) 13 considers parallel to grain value using ANSI/TPI 1 angle to grain formula. Building designer should verify capacity of bearing surface.
 - Provide mechanical connection (by others) of truss to bearing plate capable of withstanding 100 lb uplift at joint(s) 13, 2 except (jt=lb) 16=108.



Joaquin Velez PE No.68182
 MiTek Inc. DBA MiTek USA FL Cert 6634
 16023 Swingley Ridge Rd. Chesterfield, MO 63017
 Date:

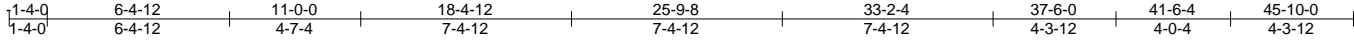
November 20,2025

<p>WARNING - Verify design parameters and READ NOTES ON THIS AND INCLUDED MITEK REFERENCE PAGE MII-7473 rev. 1/2/2023 BEFORE USE.</p> <p>Design valid for use only with MiTek® connectors. This design is based only upon parameters shown, and is for an individual building component, not a truss system. Before use, the building designer must verify the applicability of design parameters and properly incorporate this design into the overall building design. Bracing indicated is to prevent buckling of individual truss web and/or chord members only. Additional temporary and permanent bracing is always required for stability and to prevent collapse with possible personal injury and property damage. For general guidance regarding the fabrication, storage, delivery, erection and bracing of trusses and truss systems, see ANSI/TPI1 Quality Criteria and DSB-22 available from Truss Plate Institute (www.tpinst.org) and BCSI Building Component Safety Information available from the Structural Building Component Association (www.sbcsccomponents.com)</p>	<p>16023 Swingley Ridge Rd. Chesterfield, MO 63017 314.434.1200 / MiTek-US.com</p>
--	--

Job 6260876	Truss A3	Truss Type Half Hip	Qty 1	Ply 1	2265-C-3Car FE	T39255657
----------------	-------------	------------------------	----------	----------	----------------	-----------

Tibbetts Lumber Co., LLC (Ocala, FL), Ocala, FL - 34472,

8.830 s Sep 3 2025 MiTek Industries, Inc. Thu Nov 20 07:02:58 2025 Page 1
ID:BVCP0onmzlvFXJ68ELDtZyqf8-e5PRXiedOiHB8_PhVc1t6zJCGthve0zylY5bdyHMfx



Scale = 1:80.8

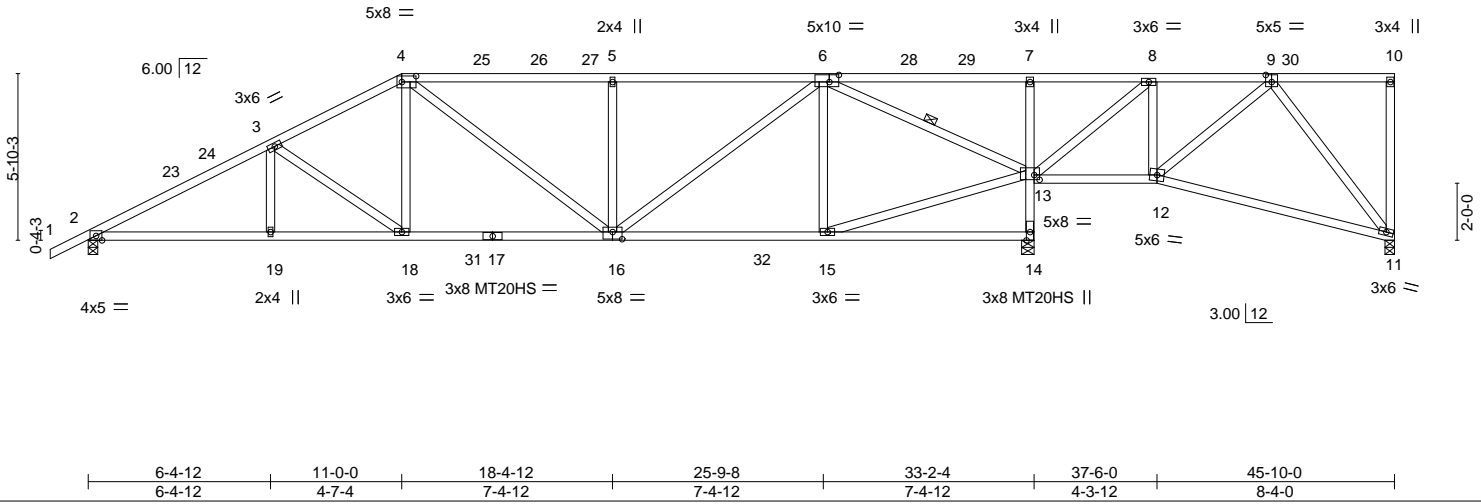


Plate Offsets (X,Y)-- [4:0-6-0-0-2-8], [6:0-4-0-0-3-0], [9:0-2-8,0-3-0], [13:0-2-4,0-2-0], [16:0-4-0-0-3-0]

LOADING (psf)	SPACING-	CSI.	DEFL.	in (loc)	l/defl	L/d	PLATES	GRIP
TCLL 20.0	Plate Grip DOL 1.25	TC 0.69	Vert(LL) -0.17	11-12	>892	360	MT20	244/190
TCDL 10.0	Lumber DOL 1.25	BC 0.75	Vert(CT) -0.34	11-12	>445	240	MT20HS	187/143
BCLL 0.0 *	Rep Stress Incr YES	WB 0.68	Horz(CT) 0.07	14	n/a	n/a		
BCDL 10.0	Code FBC2023/TPI2014	Matrix-MS	Wind(LL) 0.06	16-18	>999	240		
							Weight: 271 lb	FT = 20%

LUMBER-

TOP CHORD 2x4 SP No.2
BOT CHORD 2x4 SP No.2
WEBS 2x4 SP No.2

BRACING-

TOP CHORD Structural wood sheathing directly applied or 3-1-10 oc purlins, except end verticals.
BOT CHORD Rigid ceiling directly applied or 3-8-15 oc bracing.
WEBS 1 Row at midpt 6-13

REACTIONS.

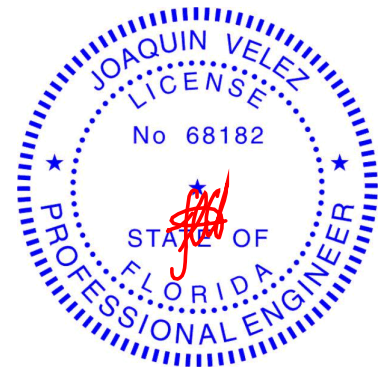
(size) 11=0-4-0, 2=0-4-0, 14=0-5-4
Max Horz 2=156(LC 12)
Max Uplift 11=-31(LC 9), 2=-77(LC 12), 14=-117(LC 12)
Max Grav 11=255(LC 26), 2=1458(LC 17), 14=2444(LC 17)

FORCES. (lb) - Max. Comp./Max. Ten. - All forces 250 (lb) or less except when shown.

TOP CHORD 2-3=-2522/154, 3-4=-2034/153, 4-5=-1852/146, 5-6=-1852/146, 6-7=-79/1055, 7-8=-86/1070
BOT CHORD 2-19=-238/2247, 18-19=-238/2247, 16-18=-155/1788, 15-16=-59/1019, 13-14=-2333/202, 7-13=-375/101, 12-13=-269/47
WEBS 3-18=-573/101, 4-18=0/560, 4-16=-2/257, 5-16=-481/148, 6-16=-109/1042, 13-15=-76/1040, 6-13=-2310/153, 8-13=-1039/57, 8-12=0/484, 9-12=-357/87

NOTES-

- Unbalanced roof live loads have been considered for this design.
- Wind: ASCE 7-22; Vult=130mph (3-second gust) Vasd=101mph; TC DL=4.2psf; BCDL=6.0psf; h=15ft; B=45ft; L=46ft; eave=6ft; Cat. II; Exp B; Encl., GCpi=0.18; MWFRS (directional) and C-C Zone3 -1-4-0 to 3-3-0, Zone1 3-3-0 to 11-0-0, Zone2 11-0-0 to 17-5-13, Zone1 17-5-13 to 45-8-4 zone; cantilever left and right exposed ;C-C for members and forces & MWFRS for reactions shown; Lumber DOL=1.60 plate grip DOL=1.60
- Building Designer / Project engineer responsible for verifying applied roof live load shown covers rain loading requirements specific to the use of this truss component.
- Provide adequate drainage to prevent water ponding.
- All plates are MT20 plates unless otherwise indicated.
- This truss has been designed for a 10.0 psf bottom chord live load nonconcurrent with any other live loads.
- * This truss has been designed for a live load of 20.0psf on the bottom chord in all areas where a rectangle 3-6-0 tall by 2-0-0 wide will fit between the bottom chord and any other members, with BCDL = 10.0psf.
- Bearing at joint(s) 11 considers parallel to grain value using ANSI/TPI 1 angle to grain formula. Building designer should verify capacity of bearing surface.
- Provide mechanical connection (by others) of truss to bearing plate capable of withstanding 100 lb uplift at joint(s) 11, 2 except (jt=lb) 14=117.



Joaquin Velez PE No.68182
MiTek Inc. DBA MiTek USA FL Cert 6634
16023 Swingley Ridge Rd. Chesterfield, MO 63017
Date:

November 20,2025

WARNING - Verify design parameters and READ NOTES ON THIS AND INCLUDED MITEK REFERENCE PAGE MII-7473 rev. 1/2/2023 BEFORE USE.

Design valid for use only with MiTek® connectors. This design is based only upon parameters shown, and is for an individual building component, not a truss system. Before use, the building designer must verify the applicability of design parameters and properly incorporate this design into the overall building design. Bracing indicated is to prevent buckling of individual truss web and/or chord members only. Additional temporary and permanent bracing is always required for stability and to prevent collapse with possible personal injury and property damage. For general guidance regarding the fabrication, storage, delivery, erection and bracing of trusses and truss systems, see **ANSI/TPI1 Quality Criteria and DSB-22** available from Truss Plate Institute (www.tpinst.org) and **BCSI Building Component Safety Information** available from the Structural Building Component Association (www.sbcsccomponents.com)

MiTek®

16023 Swingley Ridge Rd.
Chesterfield, MO 63017
314.434.1200 / MiTek-US.com

Job 6260876	Truss A4	Truss Type ROOF SPECIAL	Qty 1	Ply 1	2265-C-3Car FE	T39255658
----------------	-------------	----------------------------	----------	----------	----------------	-----------

Tibbetts Lumber Co., LLC (Ocala, FL), Ocala, FL - 34472,

8.830 s Sep 3 2025 MiTek Industries, Inc. Thu Nov 20 07:02:59 2025 Page 1
ID:BVCP0onmzlvFXJ68ELDiZyqlf8-7Hzpl2fF90P2m8_t3JY6fBsP7HtSe8a6ByHe73yHMfw

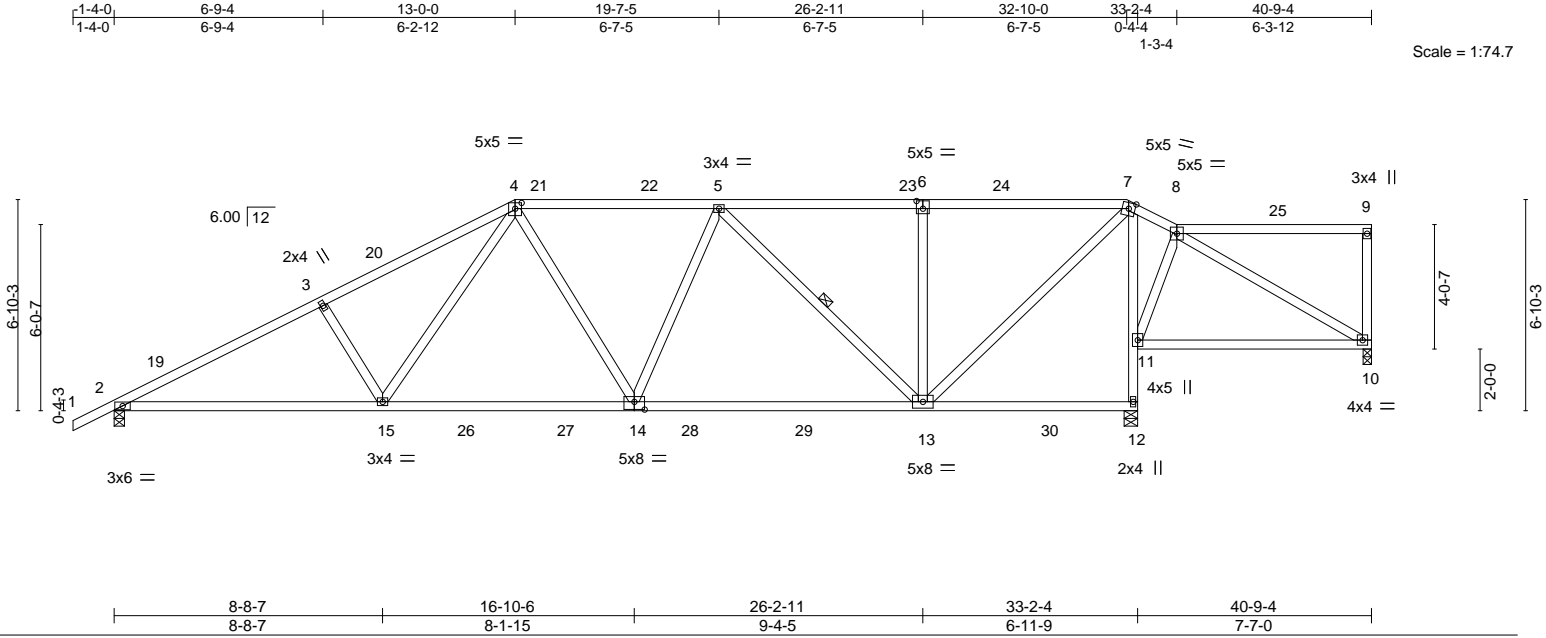


Plate Offsets (X,Y)-- [4:0-2-8,0-2-4], [6:0-2-8,0-3-0], [14:0-4-0,0-3-0]

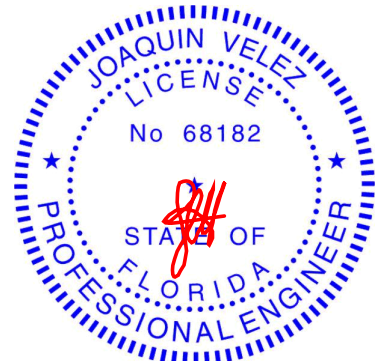
LOADING (psf)	SPACING-	CSI.	DEFL.	in (loc)	l/defl	L/d	PLATES	GRIP
TCLL 20.0	Plate Grip DOL 1.25	TC 0.55	Vert(LL) -0.22	13-14	>999	360	MT20	244/190
TCDL 10.0	Lumber DOL 1.25	BC 0.98	Vert(CT) -0.40	13-14	>982	240		
BCLL 0.0 *	Rep Stress Incr YES	WB 0.40	Horz(CT) 0.07	12	n/a	n/a		
BCDL 10.0	Code FBC2023/TP12014	Matrix-MS	Wind(LL) 0.07	15-18	>999	240	Weight: 231 lb	FT = 20%

LUMBER-	BRACING-
TOP CHORD 2x4 SP No.2	TOP CHORD Structural wood sheathing directly applied or 2-11-10 oc purlins, except end verticals.
BOT CHORD 2x4 SP No.2 *Except* 12-14: 2x4 SP M 31 or 2x4 SP SS	BOT CHORD Rigid ceiling directly applied or 2-2-0 oc bracing.
WEBS 2x4 SP No.2	WEBS 1 Row at midpt 5-13

REACTIONS. (size) 10=0-3-4, 2=0-4-0, 12=0-5-4
 Max Horz 2=161(LC 12)
 Max Uplift 10=-22(LC 9), 2=-84(LC 12), 12=-84(LC 12)
 Max Grav 10=230(LC 26), 2=1567(LC 17), 12=1965(LC 17)

FORCES. (lb) - Max. Comp./Max. Ten. - All forces 250 (lb) or less except when shown.
 TOP CHORD 2-3=-2724/204, 3-4=-2573/217, 4-5=-1890/170, 5-6=-1219/115, 6-7=-1220/114
 BOT CHORD 2-15=-292/2439, 14-15=-190/1806, 13-14=-164/1801, 11-12=-1849/208, 7-11=-1501/179
 WEBS 3-15=-391/155, 4-15=-42/793, 4-14=0/296, 5-14=-25/271, 5-13=-812/110, 6-13=-414/132, 8-11=-264/82, 7-13=-133/1810

- NOTES-**
- Unbalanced roof live loads have been considered for this design.
 - Wind: ASCE 7-22; Vult=130mph (3-second gust) Vasd=101mph; TC DL=4.2psf; BCDL=6.0psf; h=15ft; B=45ft; L=24ft; eave=5ft; Cat. II; Exp B; Encl. GCpi=0.18; MWFRS (directional) and C-C Zone3 -1-4-0 to 1-8-0, Zone1 1-8-0 to 13-0-0, Zone2 13-0-0 to 17-2-15, Zone1 17-2-15 to 32-10-12, Zone3 32-10-12 to 34-5-8, Zone1 34-5-8 to 40-7-8 zone; cantilever left and right exposed ;C-C for members and forces & MWFRS for reactions shown; Lumber DOL=1.60 plate grip DOL=1.60
 - Building Designer / Project engineer responsible for verifying applied roof live load shown covers rain loading requirements specific to the use of this truss component.
 - Provide adequate drainage to prevent water ponding.
 - This truss has been designed for a 10.0 psf bottom chord live load nonconcurrent with any other live loads.
 - * This truss has been designed for a live load of 20.0psf on the bottom chord in all areas where a rectangle 3-6-0 tall by 2-0-0 wide will fit between the bottom chord and any other members, with BCDL = 10.0psf.
 - Provide mechanical connection (by others) of truss to bearing plate capable of withstanding 100 lb uplift at joint(s) 10, 2, 12.



Joaquin Velez PE No.68182
 MiTek Inc. DBA MiTek USA FL Cert 6634
 16023 Swingley Ridge Rd. Chesterfield, MO 63017
 Date:

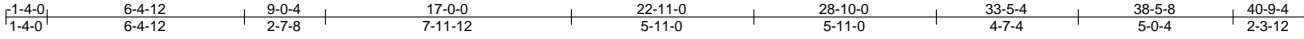
November 20,2025

Job 6260876	Truss A6	Truss Type ROOF SPECIAL	Qty 1	Ply 1	2265-C-3Car FE	T39255660
----------------	-------------	----------------------------	----------	----------	----------------	-----------

Tibbetts Lumber Co., LLC (Ocala, FL), Ocala, FL - 34472,

8.830 s Sep 3 2025 MiTek Industries, Inc. Thu Nov 20 07:03:00 2025 Page 1

ID:BVCP0onozlvFXJ68ELDtZyqlf8-bUXByOgtwKXvOIZ4c14LBOPWDgHiNcqGPc1CgVyHMfv



Scale = 1:74.7

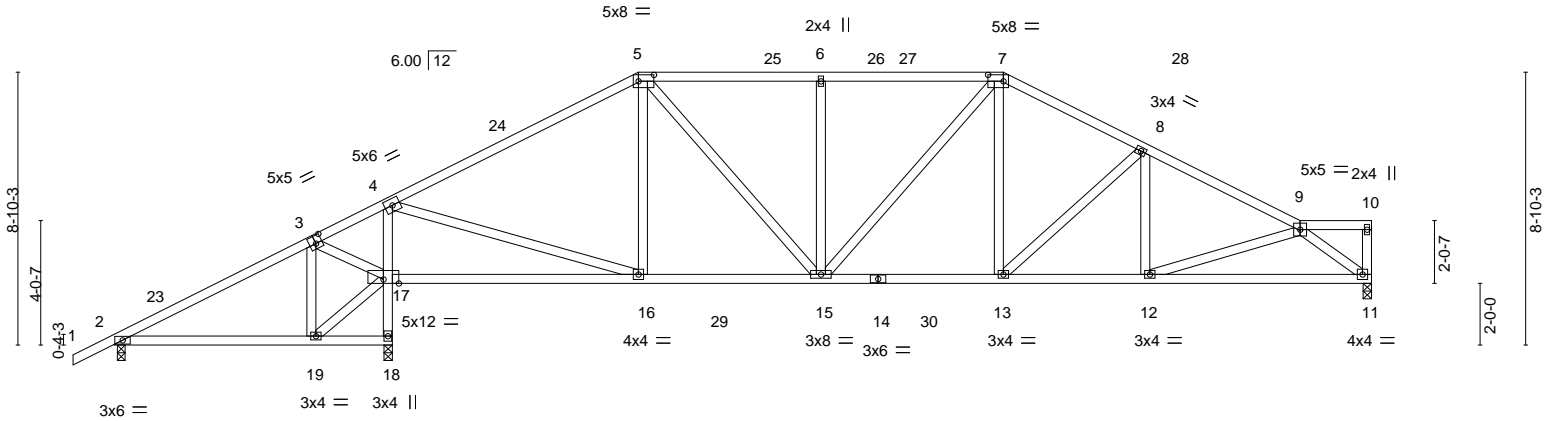


Plate Offsets (X,Y)--	[3:0-2-8,0-3-0], [5:0-6-0,0-2-8], [7:0-6-0,0-2-8]
-----------------------	---

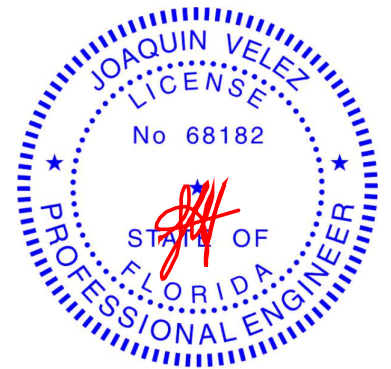
LOADING (psf)	SPACING-	CSI.	DEFL.	PLATES	GRIP
TCLL 20.0	Plate Grip DOL 1.25	TC 0.79	Vert(LL) -0.13 16-17 >999 360	MT20	244/190
TCDL 10.0	Lumber DOL 1.25	BC 0.66	Vert(CT) -0.27 16-17 >999 240		
BCLL 0.0 *	Rep Stress Incr YES	WB 0.34	Horz(CT) 0.06 11 n/a n/a		
BCDL 10.0	Code FBC2023/TP12014	Matrix-MS	Wind(LL) 0.05 15 >999 240	Weight: 241 lb	FT = 20%

LUMBER-	BRACING-
TOP CHORD 2x4 SP No.2	TOP CHORD Structural wood sheathing directly applied or 2-2-0 oc purlins, except end verticals.
BOT CHORD 2x4 SP No.2	BOT CHORD Rigid ceiling directly applied or 4-2-4 oc bracing.
WEBS 2x4 SP No.2	

REACTIONS. (size) 11=0-3-4, 18=0-3-4, 2=0-3-0
 Max Horz 2=119(LC 11)
 Max Uplift 11=-52(LC 12), 18=-100(LC 12), 2=-27(LC 12)
 Max Grav 11=1392(LC 18), 18=1970(LC 17), 2=364(LC 23)

FORCES. (lb) - Max. Comp./Max. Ten. - All forces 250 (lb) or less except when shown.
 TOP CHORD 3-4=-63/376, 4-5=-1507/172, 5-6=-1661/230, 6-7=-1661/230, 7-8=-1831/219, 8-9=-2153/196
 BOT CHORD 17-18=-1994/194, 4-17=-1536/238, 15-16=-67/1285, 13-15=-94/1572, 12-13=-141/1878, 11-12=-168/1577
 WEBS 3-17=-430/47, 4-16=-71/1496, 5-15=-68/637, 6-15=-405/120, 7-13=0/485, 8-13=-425/76, 9-12=0/333, 9-11=-1950/233

- NOTES-**
- Unbalanced roof live loads have been considered for this design.
 - Wind: ASCE 7-22; Vult=130mph (3-second gust) Vasd=101mph; TCDL=4.2psf; BCDL=6.0psf; h=15ft; B=45ft; L=24ft; eave=5ft; Cat. II; Exp B; Encl., GCpi=0.18; MWFRS (directional) and C-C Zone3 -1-4-0 to 1-8-0, Zone1 1-8-0 to 17-0-0, Zone2 17-0-0 to 21-2-15, Zone1 21-2-15 to 28-10-0, Zone2 28-10-0 to 33-0-15, Zone1 33-0-15 to 40-7-8 zone; cantilever left and right exposed ;C-C for members and forces & MWFRS for reactions shown; Lumber DOL=1.60 plate grip DOL=1.60
 - Building Designer / Project engineer responsible for verifying applied roof live load shown covers rain loading requirements specific to the use of this truss component.
 - Provide adequate drainage to prevent water ponding.
 - This truss has been designed for a 10.0 psf bottom chord live load nonconcurrent with any other live loads.
 - * This truss has been designed for a live load of 20.0psf on the bottom chord in all areas where a rectangle 3-6-0 tall by 2-0-0 wide will fit between the bottom chord and any other members, with BCDL = 10.0psf.
 - Provide mechanical connection (by others) of truss to bearing plate capable of withstanding 100 lb uplift at joint(s) 11, 18, 2.



Joaquin Velez PE No.68182
 MiTek Inc. DBA MiTek USA FL Cert 6634
 16023 Swingley Ridge Rd. Chesterfield, MO 63017
 Date:

November 20,2025

WARNING - Verify design parameters and READ NOTES ON THIS AND INCLUDED MITEK REFERENCE PAGE MII-7473 rev. 1/2/2023 BEFORE USE.

Design valid for use only with MiTek® connectors. This design is based only upon parameters shown, and is for an individual building component, not a truss system. Before use, the building designer must verify the applicability of design parameters and properly incorporate this design into the overall building design. Bracing indicated is to prevent buckling of individual truss web and/or chord members only. Additional temporary and permanent bracing is always required for stability and to prevent collapse with possible personal injury and property damage. For general guidance regarding the fabrication, storage, delivery, erection and bracing of trusses and truss systems, see **ANSI/TP1 Quality Criteria and DSB-22** available from Truss Plate Institute (www.tpinst.org) and **BCSI Building Component Safety Information** available from the Structural Building Component Association (www.sbcsccomponents.com)

MiTek®

16023 Swingley Ridge Rd.
 Chesterfield, MO 63017
 314.434.1200 / MiTek-US.com

Job 6260876	Truss A8	Truss Type HIP	Qty 1	Ply 1	2265-C-3Car FE	T39255662
----------------	-------------	-------------------	----------	----------	----------------	-----------

Tibbetts Lumber Co., LLC (Ocala, FL), Ocala, FL - 34472, 8.830 s Sep 3 2025 MiTek Industries, Inc. Thu Nov 20 07:03:02 2025 Page 1
 ID:BVCP0onomzlvFXJ68ELDtZyqlf8-XsexN4h7SxnddciSkS6pHpUtVUyUrVBYtwWlkOyHMft



Scale = 1:78.7

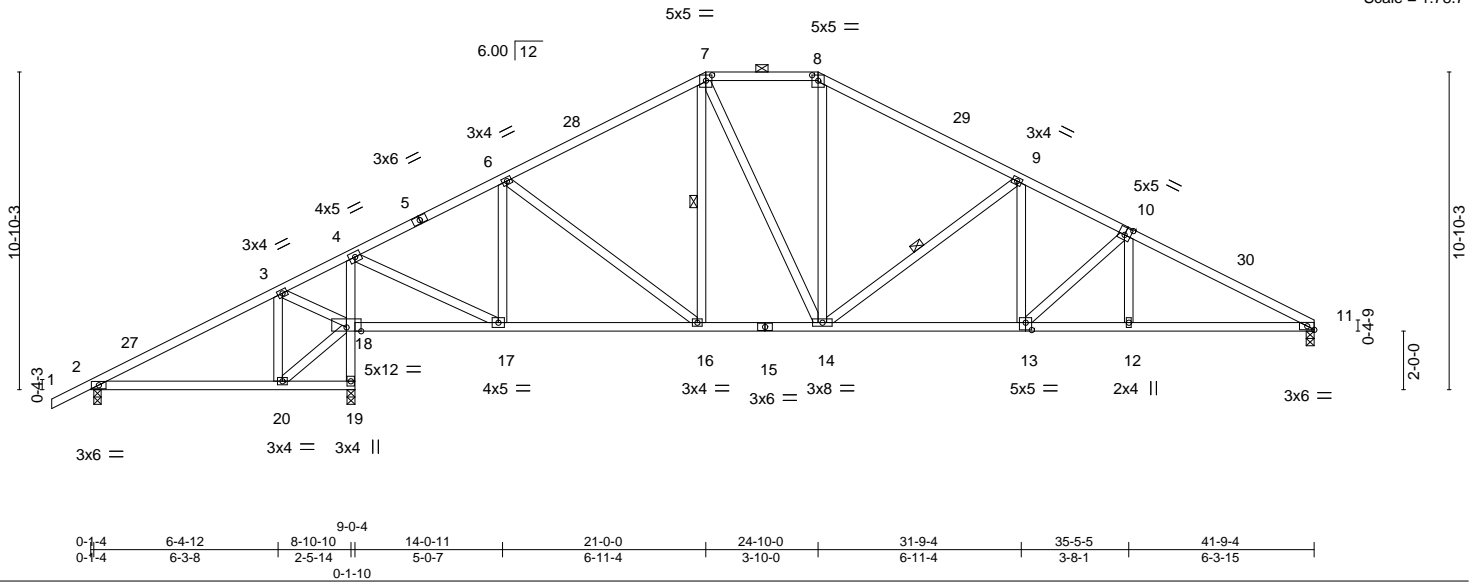


Plate Offsets (X,Y)-- [7:0-2-8,0-2-4], [8:0-2-8,0-2-4], [10:0-2-8,0-3-0], [13:0-2-8,0-3-0]

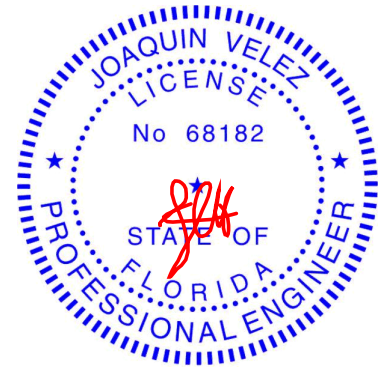
LOADING (psf)	SPACING-	CSI.	DEFL.	in (loc)	l/defl	L/d	PLATES	GRIP
TCLL 20.0	Plate Grip DOL 1.25	TC 0.74	Vert(LL) -0.14	13-14	>999	360	MT20	244/190
TCDL 10.0	Lumber DOL 1.25	BC 0.76	Vert(CT) -0.29	13-14	>999	240		
BCLL 0.0 *	Rep Stress Incr YES	WB 0.41	Horz(CT) 0.06	11	n/a	n/a		
BCDL 10.0	Code FBC2023/TP12014	Matrix-MS	Wind(LL) 0.06	13-14	>999	240	Weight: 248 lb	FT = 20%

LUMBER-	BRACING-
TOP CHORD 2x4 SP No.2	TOP CHORD Structural wood sheathing directly applied or 3-0-3 oc purlins, except 2-0-0 oc purlins (5-0-0 max.): 7-8.
BOT CHORD 2x4 SP No.2	BOT CHORD Rigid ceiling directly applied or 4-1-3 oc bracing.
WEBS 2x4 SP No.2	WEBS 1 Row at midpt 7-16, 9-14

REACTIONS. (size) 19=0-3-4, 11=0-3-4, 2=0-3-0
 Max Horz 2=165(LC 11)
 Max Uplift 19=-165(LC 12), 11=-55(LC 12), 2=-117(LC 12)
 Max Grav 19=2047(LC 17), 11=1417(LC 18), 2=317(LC 23)

FORCES. (lb) - Max. Comp./Max. Ten. - All forces 250 (lb) or less except when shown.
 TOP CHORD 3-4=-46/750, 4-6=-1203/120, 6-7=-1429/186, 7-8=-1334/209, 8-9=-1572/194, 9-10=-2237/200, 10-11=-2598/190
 BOT CHORD 18-19=-2068/254, 4-18=-1762/141, 17-18=-655/89, 16-17=-16/1107, 14-16=0/1231, 13-14=-76/1936, 12-13=-111/2253, 11-12=-110/2258
 WEBS 3-20=-26/295, 3-18=-651/180, 4-17=-112/1841, 6-17=-587/129, 6-16=0/274, 7-14=-33/374, 8-14=0/412, 9-14=-807/111, 9-13=0/471, 10-13=-419/60

- NOTES-**
- Unbalanced roof live loads have been considered for this design.
 - Wind: ASCE 7-22; Vult=130mph (3-second gust) Vasd=101mph; TCDD=4.2psf; BCDL=6.0psf; h=15ft; B=45ft; L=24ft; eave=5ft; Cat. II; Exp B; Encl., GCpi=0.18; MWFRS (directional) and C-C Zone3 -1-4-0 to 1-8-0, Zone1 1-8-0 to 21-0-0, Zone3 21-0-0 to 24-10-0, Zone2 24-10-0 to 29-0-15, Zone1 29-0-15 to 41-9-4 zone; cantilever left and right exposed; porch left exposed; C-C for members and forces & MWFRS for reactions shown; Lumber DOL=1.60 plate grip DOL=1.60
 - Building Designer / Project engineer responsible for verifying applied roof live load shown covers rain loading requirements specific to the use of this truss component.
 - Provide adequate drainage to prevent water ponding.
 - This truss has been designed for a 10.0 psf bottom chord live load nonconcurrent with any other live loads.
 - * This truss has been designed for a live load of 20.0psf on the bottom chord in all areas where a rectangle 3-6-0 tall by 2-0-0 wide will fit between the bottom chord and any other members, with BCDL = 10.0psf.
 - Provide mechanical connection (by others) of truss to bearing plate capable of withstanding 100 lb uplift at joint(s) 11 except (jt=lb) 19=165, 2=117.
 - Graphical purlin representation does not depict the size or the orientation of the purlin along the top and/or bottom chord.



Joaquin Velez PE No.68182
 MiTek Inc. DBA MiTek USA FL Cert 6634
 16023 Swingley Ridge Rd. Chesterfield, MO 63017
 Date:

November 20,2025

WARNING - Verify design parameters and READ NOTES ON THIS AND INCLUDED MITEK REFERENCE PAGE MII-7473 rev. 1/2/2023 BEFORE USE.

Design valid for use only with MiTek® connectors. This design is based only upon parameters shown, and is for an individual building component, not a truss system. Before use, the building designer must verify the applicability of design parameters and properly incorporate this design into the overall building design. Bracing indicated is to prevent buckling of individual truss web and/or chord members only. Additional temporary and permanent bracing is always required for stability and to prevent collapse with possible personal injury and property damage. For general guidance regarding the fabrication, storage, delivery, erection and bracing of trusses and truss systems, see **ANSI/TP1 Quality Criteria and DSB-22** available from Truss Plate Institute (www.tpinst.org) and **BCSI Building Component Safety Information** available from the Structural Building Component Association (www.sbcsccomponents.com)

MiTek®

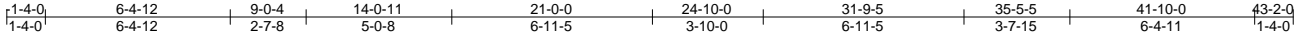
16023 Swingley Ridge Rd.
 Chesterfield, MO 63017
 314.434.1200 / MiTek-US.com

Job 6260876	Truss A9	Truss Type PIGGYBACK BASE	Qty 4	Ply 1	2265-C-3Car FE	T39255663
----------------	-------------	------------------------------	----------	----------	----------------	-----------

Tibbetts Lumber Co., LLC (Ocala, FL), Ocala, FL - 34472,

8.830 s Sep 3 2025 MiTek Industries, Inc. Thu Nov 20 07:03:03 2025 Page 1

ID:BVCP0onozmlvFXJ68ELDtZyqlf8-?3CKaPiIDFwUFmHf9d2p112AuHLayOi6aFsGqyHMfs



Scale = 1:79.7

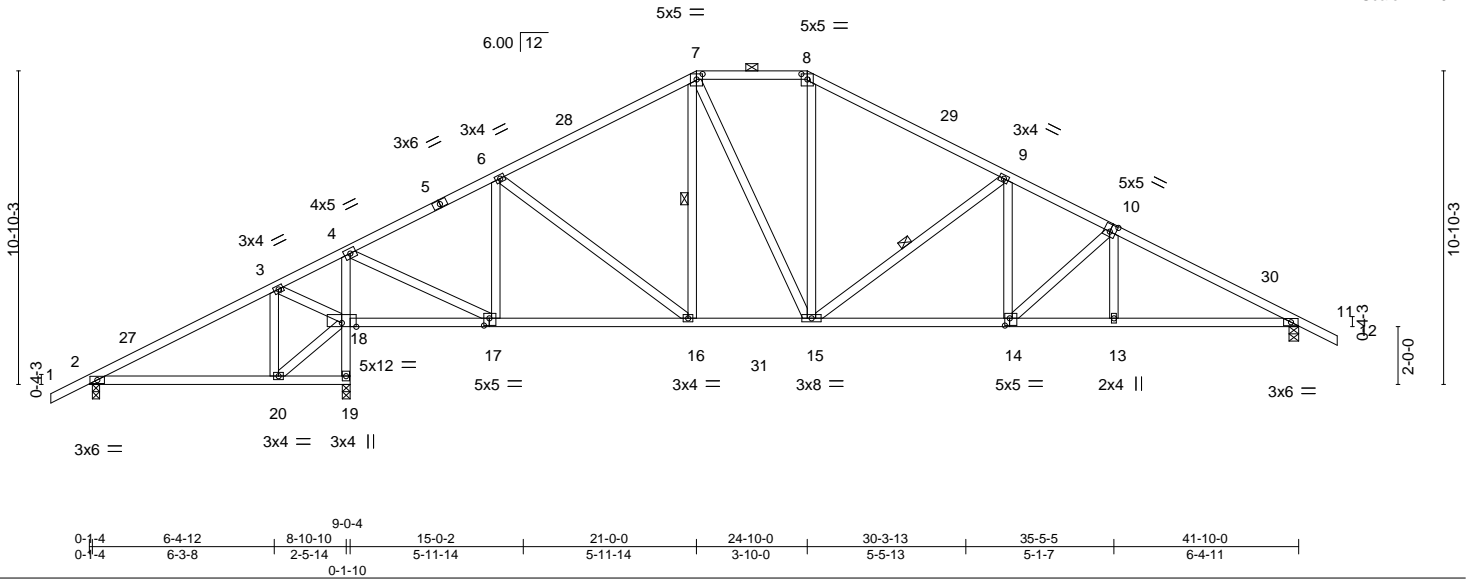


Plate Offsets (X,Y)-- [7:0-2-8,0-2-4], [8:0-2-8,0-2-4], [10:0-2-8,0-3-0], [14:0-2-0,0-3-0], [17:0-2-4,0-3-0]

LOADING (psf)	SPACING-	CSI.	DEFL.	in (loc)	l/defl	L/d	PLATES	GRIP
TCLL 20.0	Plate Grip DOL 1.25	TC 0.74	Vert(LL) -0.14	14-15	>999	360	MT20	244/190
TCDL 10.0	Lumber DOL 1.25	BC 0.79	Vert(CT) -0.29	14-15	>999	240		
BCLL 0.0 *	Rep Stress Incr YES	WB 0.41	Horz(CT) 0.07	11	n/a	n/a		
BCDL 10.0	Code FBC2023/TP12014	Matrix-MS	Wind(LL) 0.06	14-15	>999	240	Weight: 250 lb	FT = 20%

LUMBER-

TOP CHORD 2x4 SP No.2
 BOT CHORD 2x4 SP No.2
 WEBS 2x4 SP No.2

BRACING-

TOP CHORD Structural wood sheathing directly applied or 2-11-15 oc purlins, except 2-0-0 oc purlins (5-0-1 max.): 7-8.
 BOT CHORD Rigid ceiling directly applied or 4-1-0 oc bracing.
 WEBS 1 Row at midpt 7-16, 9-15

REACTIONS.

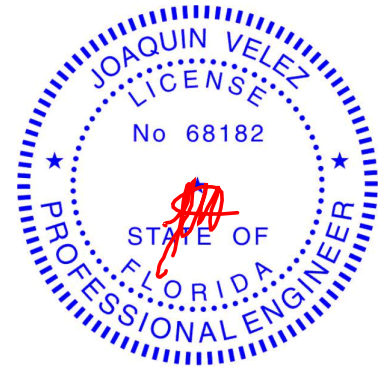
(size) 19=0-3-4, 11=0-4-0, 2=0-3-0
 Max Horz 2=168(LC 11)
 Max Uplift 19=-154(LC 12), 11=-94(LC 12), 2=-126(LC 12)
 Max Grav 19=2062(LC 17), 11=1490(LC 18), 2=311(LC 23)

FORCES. (lb) - Max. Comp./Max. Ten. - All forces 250 (lb) or less except when shown.

TOP CHORD 2-3=-94/265, 3-4=-32/791, 4-6=-1155/119, 6-7=-1426/186, 7-8=-1332/209, 8-9=-1569/193, 9-10=-2232/197, 10-11=-2608/180
 BOT CHORD 18-19=-2084/242, 4-18=-1791/133, 17-18=-692/98, 16-17=0/1096, 15-16=0/1235, 14-15=-61/1937, 13-14=-93/2261, 11-13=-92/2266
 WEBS 3-20=-30/308, 3-18=-669/187, 4-17=-98/1851, 6-17=-615/125, 6-16=0/290, 7-15=-33/375, 8-15=0/410, 9-15=-814/110, 9-14=0/475, 10-14=-435/44

NOTES-

- Unbalanced roof live loads have been considered for this design.
- Wind: ASCE 7-22; Vult=130mph (3-second gust) Vasd=101mph; TCDL=4.2psf; BCDL=6.0psf; h=15ft; B=45ft; L=24ft; eave=5ft; Cat. II; Exp B; Encl. . GCpi=0.18; MWFRS (directional) and C-C Zone3 -1-4-0 to 1-8-0, Zone1 1-8-0 to 24-10-0, Zone2 24-10-0 to 29-0-15, Zone1 29-0-15 to 43-2-0 zone; cantilever left and right exposed ; porch left exposed;C-C for members and forces & MWFRS for reactions shown; Lumber DOL=1.60 plate grip DOL=1.60
- Building Designer / Project engineer responsible for verifying applied roof live load shown covers rain loading requirements specific to the use of this truss component.
- Provide adequate drainage to prevent water ponding.
- This truss has been designed for a 10.0 psf bottom chord live load nonconcurrent with any other live loads.
- * This truss has been designed for a live load of 20.0psf on the bottom chord in all areas where a rectangle 3-6-0 tall by 2-0-0 wide will fit between the bottom chord and any other members, with BCDL = 10.0psf.
- Provide mechanical connection (by others) of truss to bearing plate capable of withstanding 100 lb uplift at joint(s) 11 except (jt=lb) 19=154, 2=126.
- Graphical purlin representation does not depict the size or the orientation of the purlin along the top and/or bottom chord.



Joaquin Velez PE No.68182
 MiTek Inc. DBA MiTek USA FL Cert 6634
 16023 Swingley Ridge Rd. Chesterfield, MO 63017
 Date:

November 20,2025

WARNING - Verify design parameters and READ NOTES ON THIS AND INCLUDED MITEK REFERENCE PAGE MII-7473 rev. 1/2/2023 BEFORE USE.

Design valid for use only with MiTek® connectors. This design is based only upon parameters shown, and is for an individual building component, not a truss system. Before use, the building designer must verify the applicability of design parameters and properly incorporate this design into the overall building design. Bracing indicated is to prevent buckling of individual truss web and/or chord members only. Additional temporary and permanent bracing is always required for stability and to prevent collapse with possible personal injury and property damage. For general guidance regarding the fabrication, storage, delivery, erection and bracing of trusses and truss systems, see **ANSI/TP1 Quality Criteria and DSB-22** available from Truss Plate Institute (www.tpinst.org) and **BCSI Building Component Safety Information** available from the Structural Building Component Association (www.sbcsccomponents.com)



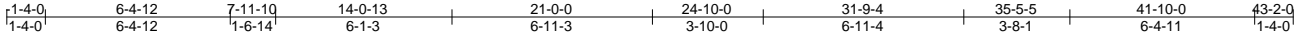
16023 Swingley Ridge Rd.
 Chesterfield, MO 63017
 314.434.1200 / MiTek-US.com

Job 6260876	Truss A10	Truss Type PIGGYBACK BASE	Qty 1	Ply 1	2265-C-3Car FE	T39255664
----------------	--------------	------------------------------	----------	----------	----------------	-----------

Tibbetts Lumber Co., LLC (Ocala, FL), Ocala, FL - 34472,

8.830 s Sep 3 2025 MiTek Industries, Inc. Thu Nov 20 07:02:48 2025 Page 1

ID:BVCP0onomzlvFXJ68ELDtZyqlf8-xAofRHXLLe1cxSenvVsXisvTRr9TZALUff7ZGCyHMg5



Scale = 1:79.7

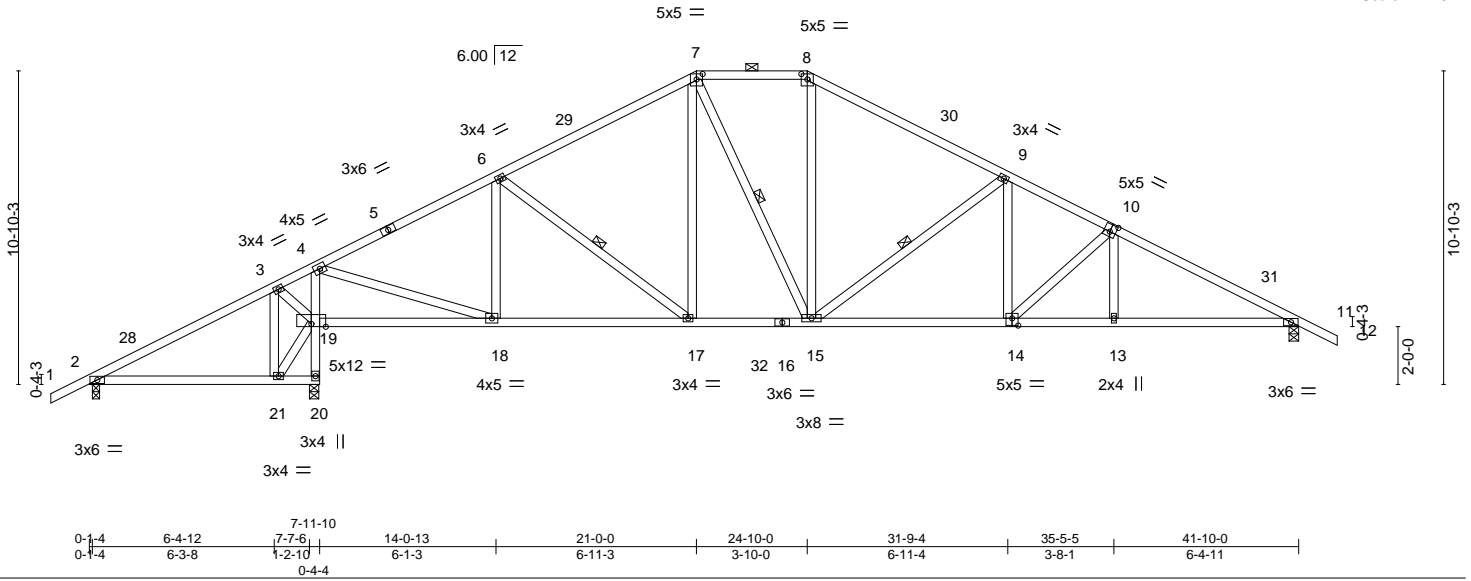


Plate Offsets (X,Y)-- [7:0-2-8,0-2-4], [8:0-2-8,0-2-4], [10:0-2-8,0-3-0], [14:0-2-8,0-3-0]

LOADING (psf)	SPACING-	CSI.	DEFL.	in (loc)	l/defl	L/d	PLATES	GRIP
TCLL 20.0	Plate Grip DOL 1.25	TC 0.77	Vert(LL) -0.16	14-15	>999	360	MT20	244/190
TCDL 10.0	Lumber DOL 1.25	BC 0.81	Vert(CT) -0.31	14-15	>999	240		
BCLL 0.0 *	Rep Stress Incr YES	WB 0.43	Horz(CT) 0.08	11	n/a	n/a		
BCDL 10.0	Code FBC2023/TP12014	Matrix-MS	Wind(LL) 0.06	14-15	>999	240	Weight: 248 lb	FT = 20%

LUMBER-	BRACING-
TOP CHORD 2x4 SP No.2	TOP CHORD Structural wood sheathing directly applied or 2-2-0 oc purlins, except
BOT CHORD 2x4 SP No.2	2-0-0 oc purlins (4-9-8 max.): 7-8.
WEBS 2x4 SP No.2	BOT CHORD Rigid ceiling directly applied or 4-0-13 oc bracing.
	WEBS 1 Row at midpt 6-17, 7-15, 9-15

REACTIONS. (size) 20=0-3-14, 11=0-4-0, 2=0-3-0
 Max Horz 2=168(LC 11)
 Max Uplift 20=-142(LC 12), 11=-97(LC 12), 2=-117(LC 12)
 Max Grav 20=2013(LC 17), 11=1551(LC 18), 2=299(LC 23)

FORCES. (lb) - Max. Comp./Max. Ten. - All forces 250 (lb) or less except when shown.
 TOP CHORD 2-3=-73/262, 3-4=-6/621, 4-6=-1601/147, 6-7=-1595/199, 7-8=-1454/217,
 8-9=-1707/203, 9-10=-2376/207, 10-11=-2743/190
 BOT CHORD 19-20=-2084/252, 4-19=-1661/115, 18-19=-510/69, 17-18=-18/1457, 15-17=0/1388,
 14-15=-70/2057, 13-14=-102/2382, 11-13=-101/2386
 WEBS 3-21=-40/341, 3-19=-617/169, 4-18=-91/1960, 6-18=-390/115, 7-17=0/266,
 7-15=-27/331, 8-15=0/474, 9-15=-810/111, 9-14=0/476, 10-14=-430/45

- NOTES-**
- Unbalanced roof live loads have been considered for this design.
 - Wind: ASCE 7-22; Vult=130mph (3-second gust) Vasd=101mph; TC DL=4.2psf; BCDL=6.0psf; h=15ft; B=45ft; L=24ft; eave=5ft; Cat. II; Exp B; Encl., GCpi=0.18; MWFRS (directional) and C-C Zone3 -1-4-0 to 1-8-0, Zone1 1-8-0 to 21-0-0, Zone3 21-0-0 to 24-10-0, Zone2 24-10-0 to 29-0-15, Zone1 29-0-15 to 43-2-0 zone; cantilever left and right exposed; porch left exposed; C-C for members and forces & MWFRS for reactions shown; Lumber DOL=1.60 plate grip DOL=1.60
 - Building Designer / Project engineer responsible for verifying applied roof live load shown covers rain loading requirements specific to the use of this truss component.
 - Provide adequate drainage to prevent water ponding.
 - This truss has been designed for a 10.0 psf bottom chord live load nonconcurrent with any other live loads.
 - * This truss has been designed for a live load of 20.0psf on the bottom chord in all areas where a rectangle 3-6-0 tall by 2-0-0 wide will fit between the bottom chord and any other members, with BCDL = 10.0psf.
 - Provide mechanical connection (by others) of truss to bearing plate capable of withstanding 100 lb uplift at joint(s) 11 except (jt=lb) 20=142, 2=117.
 - Graphical purlin representation does not depict the size or the orientation of the purlin along the top and/or bottom chord.



Joaquin Velez PE No.68182
 MiTek Inc. DBA MiTek USA FL Cert 6634
 16023 Swingley Ridge Rd. Chesterfield, MO 63017
 Date:

November 20,2025

WARNING - Verify design parameters and READ NOTES ON THIS AND INCLUDED MITEK REFERENCE PAGE MII-7473 rev. 1/2/2023 BEFORE USE.

Design valid for use only with MiTek® connectors. This design is based only upon parameters shown, and is for an individual building component, not a truss system. Before use, the building designer must verify the applicability of design parameters and properly incorporate this design into the overall building design. Bracing indicated is to prevent buckling of individual truss web and/or chord members only. Additional temporary and permanent bracing is always required for stability and to prevent collapse with possible personal injury and property damage. For general guidance regarding the fabrication, storage, delivery, erection and bracing of trusses and truss systems, see **ANSI/TP1 Quality Criteria and DSB-22** available from Truss Plate Institute (www.tpinst.org) and **BCSI Building Component Safety Information** available from the Structural Building Component Association (www.sbcsccomponents.com)

MiTek®

16023 Swingley Ridge Rd.
 Chesterfield, MO 63017
 314.434.1200 / MiTek-US.com

Job 6260876	Truss A11	Truss Type HIP	Qty 1	Ply 1	2265-C-3Car FE	T39255665
----------------	--------------	-------------------	----------	----------	----------------	-----------

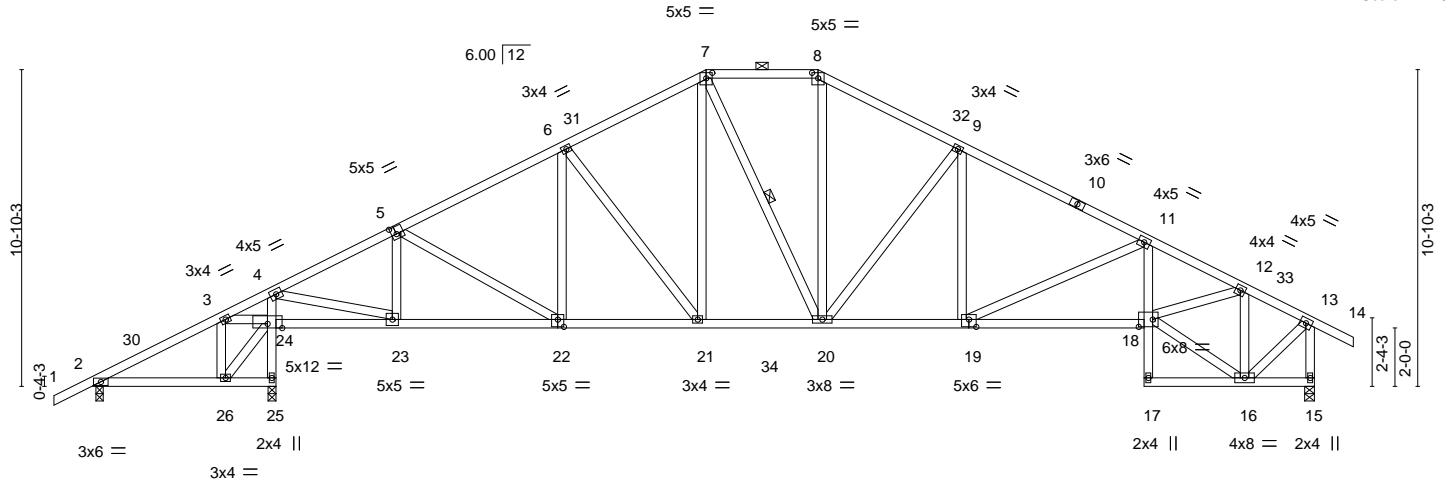
Tibbetts Lumber Co., LLC (Ocala, FL), Ocala, FL - 34472,

8.830 s Sep 3 2025 MiTek Industries, Inc. Thu Nov 20 07:02:49 2025 Page 1

ID:BVCP0onmzlvFXJ68ELDtZyqlf8-PMm1edXzWx9TZcDyTDNmF4RkrFVklYSeuOs6oeyHMg4

1-4-0	4-4-12	6-3-4	10-4-13	16-0-12	21-0-0	24-10-0	29-9-3	36-0-0	39-5-5	41-10-0	43-2-0
1-4-0	4-4-12	1-10-8	4-1-9	5-8-0	4-11-4	3-10-0	4-11-3	6-2-13	3-5-5	2-4-11	1-4-0

Scale = 1:78.9



0-4-1	3-4-14	6-1-10	6-3-4	10-4-13	16-0-12	21-0-0	24-10-0	29-9-3	36-0-0	39-5-5	41-10-0
0-4-1	3-3-10	2-8-12-0-11-10	4-1-9	4-1-9	5-8-0	4-11-4	3-10-0	4-11-3	6-2-13	3-5-5	2-4-11

Plate Offsets (X,Y)-- [5:0-2-0,0-3-0], [7:0-2-8,0-2-4], [8:0-2-8,0-2-4], [18:0-5-12,0-3-0], [19:0-3-0,0-3-0], [22:0-2-8,0-3-0]

LOADING (psf)	SPACING-	CSI.	DEFL.	PLATES	GRIP
TCLL 20.0	2-0-0	TC 0.41	in (loc) l/defl L/d	MT20	244/190
TCDL 10.0	Plate Grip DOL 1.25	BC 0.81	Vert(LL) -0.16 18-19 >999 360		
BCLL 0.0 *	Lumber DOL 1.25	WB 0.76	Vert(CT) -0.30 18-19 >999 240		
BCDL 10.0	Rep Stress Incr YES	Matrix-MS	Horz(CT) 0.17 15 n/a n/a		
	Code FBC2023/TPI2014		Wind(LL) 0.07 19 >999 240	Weight: 284 lb	FT = 20%

LUMBER-

TOP CHORD 2x4 SP No.2
 BOT CHORD 2x4 SP No.2
 WEBS 2x4 SP No.2

BRACING-

TOP CHORD Structural wood sheathing directly applied or 3-3-11 oc purlins, except end verticals, and 2-0-0 oc purlins (4-7-0 max.): 7-8.
 BOT CHORD Rigid ceiling directly applied or 4-2-4 oc bracing.
 WEBS 1 Row at midpt 7-20

REACTIONS.

(size) 25=0-3-4, 15=0-4-0, 2=0-3-0
 Max Horz 2=213(LC 11)
 Max Uplift 25=-103(LC 12), 15=-106(LC 12), 2=-121(LC 12)
 Max Grav 25=1977(LC 17), 15=1638(LC 18), 2=256(LC 23)

FORCES. (lb) - Max. Comp./Max. Ten. - All forces 250 (lb) or less except when shown.

TOP CHORD 3-4=-74/744, 4-5=-1907/160, 5-6=-2053/198, 6-7=-1792/224, 7-8=-1591/226, 8-9=-1851/227, 9-11=-2365/208, 11-12=-3080/223, 12-13=-1173/118, 13-15=-1600/160
 BOT CHORD 24-25=-1983/220, 4-24=-1880/159, 23-24=-553/93, 22-23=-84/1763, 21-22=-72/1873, 20-21=-21/1598, 19-20=-77/2030, 18-19=-167/2777, 11-18=0/411
 WEBS 3-24=-579/149, 4-23=-140/2281, 5-23=-411/98, 6-21=-431/82, 7-21=-11/517, 8-20=-27/603, 9-20=-742/98, 9-19=0/459, 11-19=-835/99, 16-18=-61/1156, 12-18=-106/1805, 12-16=-1469/119, 13-16=-60/1344

NOTES-

- Unbalanced roof live loads have been considered for this design.
- Wind: ASCE 7-22; Vult=130mph (3-second gust) Vasd=101mph; TCCL=4.2psf; BCDL=6.0psf; h=15ft; B=45ft; L=24ft; eave=5ft; Cat. II; Exp B; Encl., GCpi=0.18; MWFRS (directional) and C-C Zone3 -1-4-0 to 1-8-0, Zone1 1-8-0 to 21-0-0, Zone2 21-0-0 to 24-10-0, Zone3 24-10-0 to 29-0-15, Zone1 29-0-15 to 43-2-0 zone; cantilever left and right exposed; end vertical right exposed; porch left exposed; C-C for members and forces & MWFRS for reactions shown; Lumber DOL=1.60 plate grip DOL=1.60
- Building Designer / Project engineer responsible for verifying applied roof live load shown covers rain loading requirements specific to the use of this truss component.
- Provide adequate drainage to prevent water ponding.
- This truss has been designed for a 10.0 psf bottom chord live load nonconcurrent with any other live loads.
- * This truss has been designed for a live load of 20.0psf on the bottom chord in all areas where a rectangle 3-6-0 tall by 2-0-0 wide will fit between the bottom chord and any other members, with BCDL = 10.0psf.
- Provide mechanical connection (by others) of truss to bearing plate capable of withstanding 100 lb uplift at joint(s) except (jt=lb) 25=103, 15=106, 2=121.
- Graphical purlin representation does not depict the size or the orientation of the purlin along the top and/or bottom chord.



Joaquin Velez PE No.68182
 MiTek Inc. DBA MiTek USA FL Cert 6634
 16023 Swingley Ridge Rd. Chesterfield, MO 63017
 Date:

November 20,2025

WARNING - Verify design parameters and READ NOTES ON THIS AND INCLUDED MITEK REFERENCE PAGE MII-7473 rev. 1/2/2023 BEFORE USE.

Design valid for use only with MiTek® connectors. This design is based only upon parameters shown, and is for an individual building component, not a truss system. Before use, the building designer must verify the applicability of design parameters and properly incorporate this design into the overall building design. Bracing indicated is to prevent buckling of individual truss web and/or chord members only. Additional temporary and permanent bracing is always required for stability and to prevent collapse with possible personal injury and property damage. For general guidance regarding the fabrication, storage, delivery, erection and bracing of trusses and truss systems, see ANSITPI Quality Criteria and DSB-22 available from Truss Plate Institute (www.tpinst.org) and BCSI Building Component Safety Information available from the Structural Building Component Association (www.sbcsccomponents.com)

MiTek®

16023 Swingley Ridge Rd.
 Chesterfield, MO 63017
 314.434.1200 / MiTek-US.com

Job 6260876	Truss A12	Truss Type HIP	Qty 1	Ply 1	2265-C-3Car FE	T39255666
----------------	--------------	-------------------	----------	----------	----------------	-----------

Tibbetts Lumber Co., LLC (Ocala, FL), Ocala, FL - 34472,

8.830 s Sep 3 2025 MiTek Industries, Inc. Thu Nov 20 07:02:50 2025 Page 1

ID:BVCP0onmzlvFXJ68ELDtZyqlf8-tYwPszYbHFHKBmo91wu?nH_vZerv1?dn62cgK5yHMg3



Scale = 1:77.9

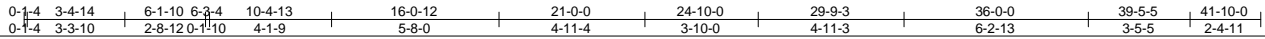
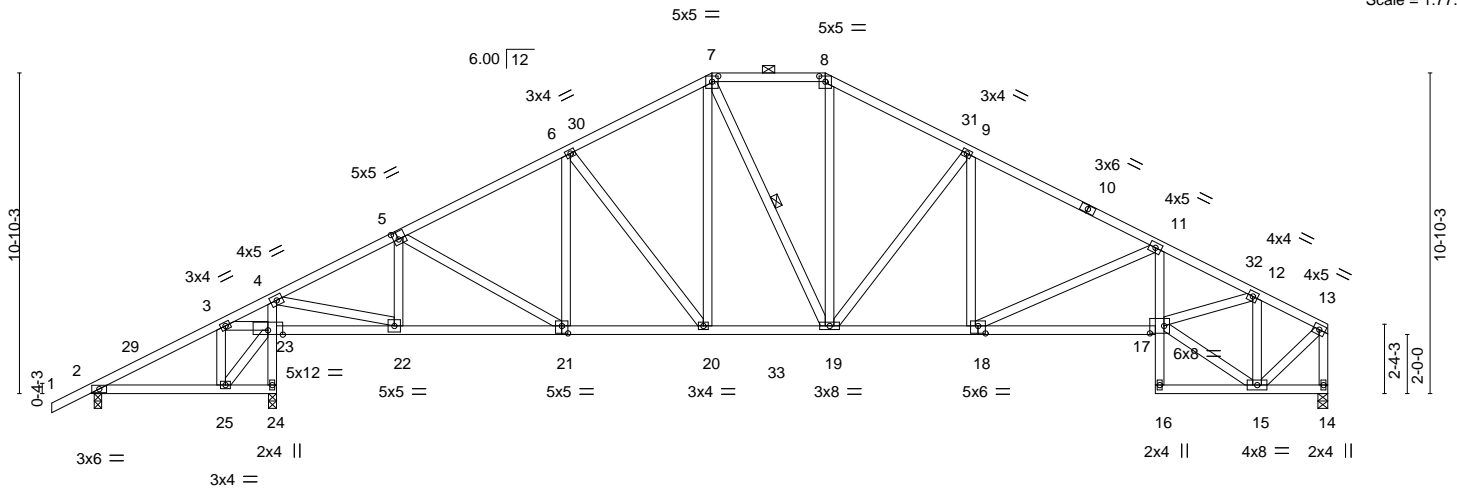


Plate Offsets (X,Y)-- [5:0-2-0,0-3-0], [7:0-2-8,0-2-4], [8:0-2-8,0-2-4], [17:0-5-12,0-3-0], [18:0-3-0,0-3-0], [21:0-2-8,0-3-0]

LOADING (psf)	SPACING-	CSI.	DEFL.	PLATES	GRIP
TCLL 20.0	Plate Grip DOL 1.25	TC 0.41	in (loc) l/defl L/d	MT20	244/190
TCDL 10.0	Lumber DOL 1.25	BC 0.81	Vert(LL) -0.16 17-18 >999 360		
BCLL 0.0 *	Rep Stress Incr YES	WB 0.77	Vert(CT) -0.31 17-18 >999 240		
BCDL 10.0	Code FBC2023/TPI2014	Matrix-MS	Horz(CT) 0.17 14 n/a n/a		
			Wind(LL) 0.07 18 >999 240	Weight: 282 lb	FT = 20%

LUMBER-

TOP CHORD 2x4 SP No.2
 BOT CHORD 2x4 SP No.2
 WEBS 2x4 SP No.2

BRACING-

TOP CHORD Structural wood sheathing directly applied or 3-3-15 oc purlins, except end verticals, and 2-0-0 oc purlins (4-6-15 max.): 7-8.
 BOT CHORD Rigid ceiling directly applied or 4-2-4 oc bracing.
 WEBS 1 Row at midpt 7-19

REACTIONS.

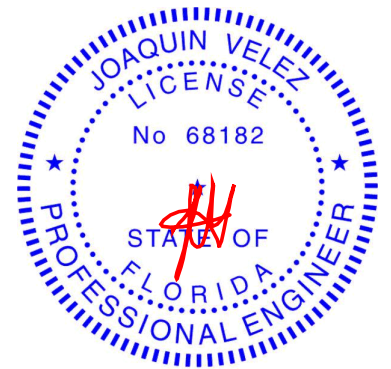
(size) 24=0-3-4, 14=0-4-0, 2=0-3-0
 Max Horz 2=211(LC 11)
 Max Uplift 24=-117(LC 12), 14=-63(LC 12), 2=-109(LC 12)
 Max Grav 24=1975(LC 17), 14=1559(LC 18), 2=256(LC 23)

FORCES. (lb) - Max. Comp./Max. Ten. - All forces 250 (lb) or less except when shown.

TOP CHORD 3-4=-95/740, 4-5=-1910/157, 5-6=-2056/198, 6-7=-1795/224, 7-8=-1594/226,
 8-9=-1855/231, 9-11=-2372/215, 11-12=-3101/249, 12-13=-1183/111, 13-14=-1519/113
 BOT CHORD 23-24=-1981/235, 4-23=-1880/170, 22-23=-554/88, 21-22=-109/1758, 20-21=-101/1869,
 19-20=-51/1593, 18-19=-112/2034, 17-18=-218/2790, 11-17=0/423
 WEBS 3-23=-580/145, 4-22=-156/2281, 5-22=-411/103, 6-20=-431/80, 7-20=-10/517,
 8-19=-29/605, 9-19=-746/99, 9-18=0/463, 11-18=-848/117, 15-17=-98/1175,
 12-17=-125/1801, 12-15=-1495/162, 13-15=-89/1361

NOTES-

- Unbalanced roof live loads have been considered for this design.
- Wind: ASCE 7-22; Vult=130mph (3-second gust) Vasd=101mph; TC DL=4.2psf; BCDL=6.0psf; h=15ft; B=45ft; L=24ft; eave=5ft; Cat. II; Exp B; Encl., GCpi=0.18; MWFRS (directional) and C-C Zone3 1-4-0 to 1-8-0, Zone1 1-8-0 to 21-0-0, Zone3 21-0-0 to 24-10-0, Zone2 24-10-0 to 29-0-15, Zone1 29-0-15 to 41-8-4 zone; cantilever left and right exposed; end vertical right exposed; porch left exposed; C-C for members and forces & MWFRS for reactions shown; Lumber DOL=1.60 plate grip DOL=1.60
- Building Designer / Project engineer responsible for verifying applied roof live load shown covers rain loading requirements specific to the use of this truss component.
- Provide adequate drainage to prevent water ponding.
- This truss has been designed for a 10.0 psf bottom chord live load nonconcurrent with any other live loads.
- * This truss has been designed for a live load of 20.0psf on the bottom chord in all areas where a rectangle 3-6-0 tall by 2-0-0 wide will fit between the bottom chord and any other members, with BCDL = 10.0psf.
- Provide mechanical connection (by others) of truss to bearing plate capable of withstanding 100 lb uplift at joint(s) 14 except (jt=lb) 24=117, 2=109.
- Graphical purlin representation does not depict the size or the orientation of the purlin along the top and/or bottom chord.



Joaquin Velez PE No.68182
 MiTek Inc. DBA MiTek USA FL Cert 6634
 16023 Swingley Ridge Rd. Chesterfield, MO 63017
 Date:

November 20,2025

WARNING - Verify design parameters and READ NOTES ON THIS AND INCLUDED MITEK REFERENCE PAGE MII-7473 rev. 1/2/2023 BEFORE USE.

Design valid for use only with MiTek® connectors. This design is based only upon parameters shown, and is for an individual building component, not a truss system. Before use, the building designer must verify the applicability of design parameters and properly incorporate this design into the overall building design. Bracing indicated is to prevent buckling of individual truss web and/or chord members only. Additional temporary and permanent bracing is always required for stability and to prevent collapse with possible personal injury and property damage. For general guidance regarding the fabrication, storage, delivery, erection and bracing of trusses and truss systems, see ANSI/TPI1 Quality Criteria and DSB-22 available from Truss Plate Institute (www.tpinst.org) and BCSI Building Component Safety Information available from the Structural Building Component Association (www.sbcsccomponents.com)



16023 Swingley Ridge Rd.
 Chesterfield, MO 63017
 314.434.1200 / MiTek-US.com

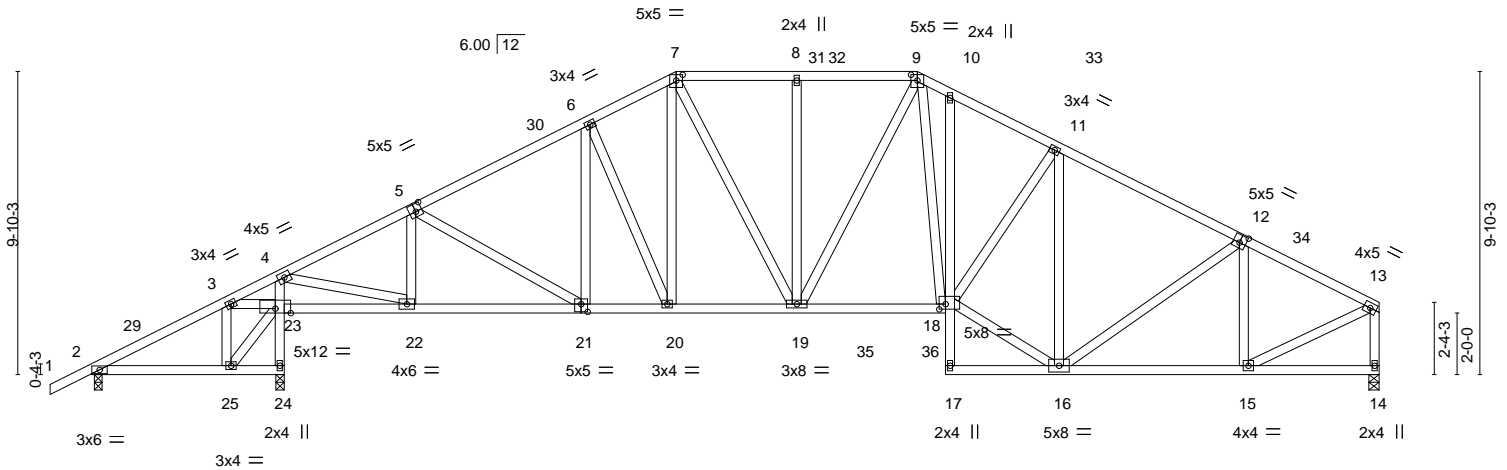
Job 6260876	Truss A13	Truss Type HIP	Qty 1	Ply 1	2265-C-3Car FE	T39255667
----------------	--------------	-------------------	----------	----------	----------------	-----------

Tibbetts Lumber Co., LLC (Ocala, FL), Ocala, FL - 34472, 8.830 s Sep 3 2025 MiTek Industries, Inc. Thu Nov 20 07:02:51 2025 Page 1

ID:BVCP0onomzlvFXJ68ELDtZyqf8-MIUn3JZE2ZPBowNLbePEKVX5K2F7mSCxLiLDsXyHMg2

1-4-0	4-4-12	6-3-4	10-4-12	16-0-11	19-0-0	22-11-0	26-10-0	27-9-0	31-5-4	37-5-4	41-10-0
1-4-0	4-4-12	1-10-8	4-1-8	5-7-15	2-11-5	3-11-0	3-11-0	0-11-0	3-8-4	6-0-1	4-4-12

Scale = 1:74.8



0-1-4	3-4-14	6-1-10	6-3-4	10-4-12	16-0-11	19-0-0	22-11-0	27-9-0	31-5-4	37-5-4	41-10-0
0-1-4	3-3-10	2-8-12	0-1-10	4-1-8	5-7-15	2-11-5	3-11-0	4-10-0	3-8-4	6-0-1	4-4-12

Plate Offsets (X,Y)-- [5:0-2-8,0-3-0], [7:0-2-8,0-2-4], [9:0-2-8,0-2-4], [12:0-2-8,0-3-0], [18:0-2-8,0-2-0], [21:0-2-8,0-3-0]

LOADING (psf)	SPACING-	CSI.	DEFL.	PLATES	GRIP
TCLL 20.0	Plate Grip DOL 1.25	TC 0.35	in (loc) l/defl L/d	MT20	244/190
TCDL 10.0	Lumber DOL 1.25	BC 0.56	Vert(LL) -0.13 18-19 >999 360		
BCLL 0.0 *	Rep Stress Incr YES	WB 0.75	Vert(CT) -0.24 18-19 >999 240		
BCDL 10.0	Code FBC2023/TPI2014	Matrix-MS	Horz(CT) 0.09 14 n/a n/a		
			Wind(LL) 0.06 18-19 >999 240	Weight: 304 lb	FT = 20%

LUMBER-

TOP CHORD 2x4 SP No.2
 BOT CHORD 2x4 SP No.2
 WEBS 2x4 SP No.2

BRACING-

TOP CHORD Structural wood sheathing directly applied or 3-9-1 oc purlins, except end verticals.
 BOT CHORD Rigid ceiling directly applied or 4-2-13 oc bracing.

REACTIONS.

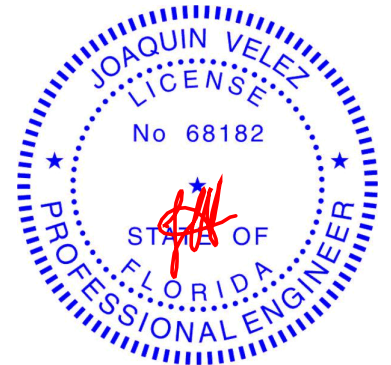
(size) 24=0-3-4, 14=0-4-0, 2=0-3-0
 Max Horz 2=194(LC 11)
 Max Uplift 24=-117(LC 12), 14=-63(LC 12), 2=-109(LC 12)
 Max Grav 24=1945(LC 17), 14=1567(LC 18), 2=265(LC 23)

FORCES.

(lb) - Max. Comp./Max. Ten. - All forces 250 (lb) or less except when shown.
 TOP CHORD 3-4=-88/607, 4-5=-1943/157, 5-6=-2060/199, 6-7=-1889/231, 7-8=-1802/227, 8-9=-1802/227, 9-10=-2083/254, 10-11=-2136/232, 11-12=-1862/201, 12-13=-1648/145, 13-14=-1506/125
 BOT CHORD 23-24=-1949/235, 4-23=-1812/167, 22-23=-429/85, 21-22=-116/1792, 20-21=-101/1858, 19-20=-69/1696, 18-19=-76/1761, 15-16=-115/1414
 WEBS 3-23=-502/144, 4-22=-150/2185, 5-22=-391/103, 6-20=-369/75, 7-20=-36/420, 7-19=-26/428, 8-19=-264/86, 9-18=-71/716, 16-18=-102/1806, 11-18=0/525, 11-16=-818/100, 12-15=-520/113, 13-15=-95/1551

NOTES-

- Unbalanced roof live loads have been considered for this design.
- Wind: ASCE 7-22; Vult=130mph (3-second gust) Vasd=101mph; TCDL=4.2psf; BCDL=6.0psf; h=15ft; B=45ft; L=24ft; eave=5ft; Cat. II; Exp B; Encl., GCpi=0.18; MWFRS (directional) and C-C Zone3 -1-4-0 to 1-8-0, Zone1 1-8-0 to 19-0-0, Zone2 19-0-0 to 23-2-15, Zone1 23-2-15 to 26-10-0, Zone2 26-10-0 to 31-0-15, Zone1 31-0-15 to 41-8-4 zone; cantilever left and right exposed ; end vertical right exposed; porch left exposed;C-C for members and forces & MWFRS for reactions shown; Lumber DOL=1.60 plate grip DOL=1.60
- Building Designer / Project engineer responsible for verifying applied roof live load shown covers rain loading requirements specific to the use of this truss component.
- Provide adequate drainage to prevent water ponding.
- This truss has been designed for a 10.0 psf bottom chord live load nonconcurrent with any other live loads.
- * This truss has been designed for a live load of 20.0psf on the bottom chord in all areas where a rectangle 3-6-0 tall by 2-0-0 wide will fit between the bottom chord and any other members, with BCDL = 10.0psf.
- Provide mechanical connection (by others) of truss to bearing plate capable of withstanding 100 lb uplift at joint(s) 14 except (jt=lb) 24=117, 2=109.



Joaquin Velez PE No.68182
 MiTek Inc. DBA MiTek USA FL Cert 6634
 16023 Swingley Ridge Rd. Chesterfield, MO 63017
 Date:

November 20,2025

WARNING - Verify design parameters and READ NOTES ON THIS AND INCLUDED MITEK REFERENCE PAGE MII-7473 rev. 1/2/2023 BEFORE USE.

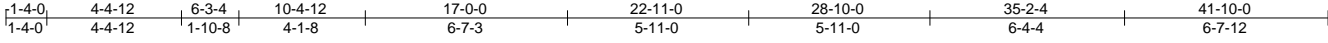
Design valid for use only with MiTek® connectors. This design is based only upon parameters shown, and is for an individual building component, not a truss system. Before use, the building designer must verify the applicability of design parameters and properly incorporate this design into the overall building design. Bracing indicated is to prevent buckling of individual truss web and/or chord members only. Additional temporary and permanent bracing is always required for stability and to prevent collapse with possible personal injury and property damage. For general guidance regarding the fabrication, storage, delivery, erection and bracing of trusses and truss systems, see **ANSI/TPI1 Quality Criteria and DSB-22** available from Truss Plate Institute (www.tpinst.org) and **BCSI Building Component Safety Information** available from the Structural Building Component Association (www.sbcsccomponents.com)



16023 Swingley Ridge Rd.
 Chesterfield, MO 63017
 314.434.1200 / MiTek-US.com

Job 6260876	Truss A14	Truss Type HIP	Qty 1	Ply 1	2265-C-3Car FE	T39255668
----------------	--------------	-------------------	----------	----------	----------------	-----------

Tibbetts Lumber Co., LLC (Ocala, FL), Ocala, FL - 34472, 8.830 s Sep 3 2025 MiTek Industries, Inc. Thu Nov 20 07:02:52 2025 Page 1
 ID:BVCP0onomzlvFXJ68ELDiZyqlf8-qx29HfaspX1Q3xX8LwTti37BSXKVuB4aM5nPzyHMg1



Scale = 1:75.2

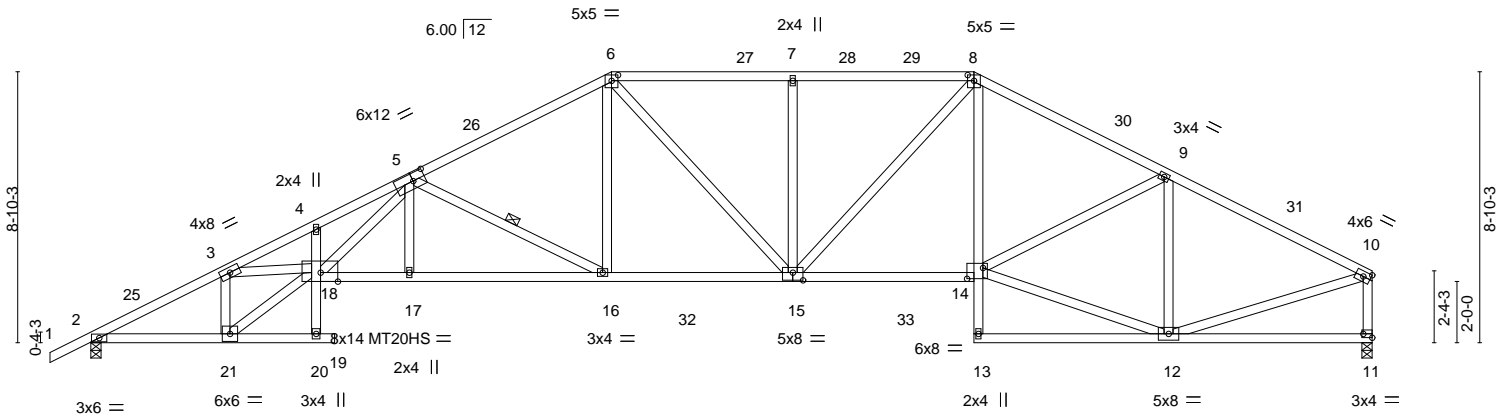


Plate Offsets (X,Y)--	[5:0-4-12,0-3-0], [6:0-2-8,0-2-4], [8:0-2-8,0-2-4], [11:Edge,0-1-8], [14:0-6-4,0-4-4], [15:0-4-0,0-3-0], [18:0-6-12,Edge]
-----------------------	---

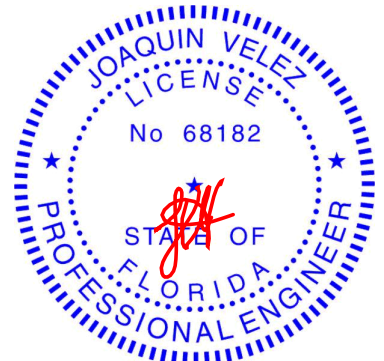
LOADING (psf)	SPACING-	CSI.	DEFL.	PLATES	GRIP
TCLL 20.0	Plate Grip DOL 1.25	TC 0.92	Vert(LL) -0.44 19 >999 360	MT20	244/190
TCDL 10.0	Lumber DOL 1.25	BC 0.82	Vert(CT) -0.81 19 >617 240	MT20HS	187/143
BCLL 0.0 *	Rep Stress Incr YES	WB 0.83	Horz(CT) 0.42 11 n/a n/a		
BCDL 10.0	Code FBC2023/TPI2014	Matrix-MS	Wind(LL) 0.22 19 >999 240		Weight: 266 lb FT = 20%

LUMBER-	BRACING-
TOP CHORD 2x4 SP No.2	TOP CHORD Structural wood sheathing directly applied, except end verticals.
BOT CHORD 2x4 SP No.2 *Except*	BOT CHORD Rigid ceiling directly applied or 10-0-0 oc bracing. Except:
WEBS 2x4 SP No.2	WEBS 10-0-0 oc bracing: 18-20 1 Row at midpt 5-16

REACTIONS. (size) 2=0-4-0, 11=0-4-0
 Max Horz 2=132(LC 11)
 Max Uplift 2=-104(LC 12), 11=-72(LC 12)
 Max Grav 2=1956(LC 17), 11=1853(LC 18)

FORCES. (lb) - Max. Comp./Max. Ten. - All forces 250 (lb) or less except when shown.
 TOP CHORD 2-3=-3740/218, 3-4=-7315/454, 4-5=-7287/470, 5-6=-3368/273, 6-7=-2968/282,
 7-8=-2968/282, 8-9=-2995/262, 9-10=-2256/177, 10-11=-1750/161
 BOT CHORD 2-21=-213/3393, 17-18=-267/4699, 16-17=-268/4695, 15-16=-110/2962, 14-15=-93/2623,
 8-14=0/663
 WEBS 3-21=-2101/185, 18-21=-247/3874, 3-18=-168/3179, 5-18=-156/2757, 5-17=0/268,
 5-16=-1917/177, 6-16=-5/1120, 6-15=-32/317, 7-15=-397/112, 8-15=-35/617,
 12-14=-114/2040, 9-14=0/794, 9-12=-1043/160, 10-12=-105/1972

- NOTES-**
- Unbalanced roof live loads have been considered for this design.
 - Wind: ASCE 7-22; Vult=130mph (3-second gust) Vasd=101mph; TCDL=4.2psf; BCDL=6.0psf; h=15ft; B=45ft; L=24ft; eave=5ft; Cat. II; Exp B; Encl., GCpi=0.18; MWFRS (directional) and C-C Zone3 -1-4-0 to 1-8-0, Zone1 1-8-0 to 17-0-0, Zone2 17-0-0 to 21-2-15, Zone1 21-2-15 to 28-10-0, Zone2 28-10-0 to 33-0-15, Zone1 33-0-15 to 41-8-4 zone; cantilever left and right exposed ;C-C for members and forces & MWFRS for reactions shown; Lumber DOL=1.60 plate grip DOL=1.60
 - Building Designer / Project engineer responsible for verifying applied roof live load shown covers rain loading requirements specific to the use of this truss component.
 - Provide adequate drainage to prevent water ponding.
 - All plates are MT20 plates unless otherwise indicated.
 - This truss has been designed for a 10.0 psf bottom chord live load nonconcurrent with any other live loads.
 - * This truss has been designed for a live load of 20.0psf on the bottom chord in all areas where a rectangle 3-6-0 tall by 2-0-0 wide will fit between the bottom chord and any other members, with BCDL = 10.0psf.
 - Provide mechanical connection (by others) of truss to bearing plate capable of withstanding 100 lb uplift at joint(s) 11 except (jt=lb) 2=104.



Joaquin Velez PE No.68182
 MiTek Inc. DBA MiTek USA FL Cert 6634
 16023 Swingley Ridge Rd. Chesterfield, MO 63017
 Date:

November 20,2025

WARNING - Verify design parameters and READ NOTES ON THIS AND INCLUDED MITEK REFERENCE PAGE MII-7473 rev. 1/2/2023 BEFORE USE.

Design valid for use only with MiTek® connectors. This design is based only upon parameters shown, and is for an individual building component, not a truss system. Before use, the building designer must verify the applicability of design parameters and properly incorporate this design into the overall building design. Bracing indicated is to prevent buckling of individual truss web and/or chord members only. Additional temporary and permanent bracing is always required for stability and to prevent collapse with possible personal injury and property damage. For general guidance regarding the fabrication, storage, delivery, erection and bracing of trusses and truss systems, see **ANSI/TPI1 Quality Criteria and DSB-22** available from Truss Plate Institute (www.tpinst.org) and **BCSI Building Component Safety Information** available from the Structural Building Component Association (www.sbcsccomponents.com)

16023 Swingley Ridge Rd.
 Chesterfield, MO 63017
 314.434.1200 / MiTek-US.com

Job 6260876	Truss A15	Truss Type ROOF SPECIAL	Qty 1	Ply 1	2265-C-3Car FE	T39255669
----------------	--------------	----------------------------	----------	----------	----------------	-----------

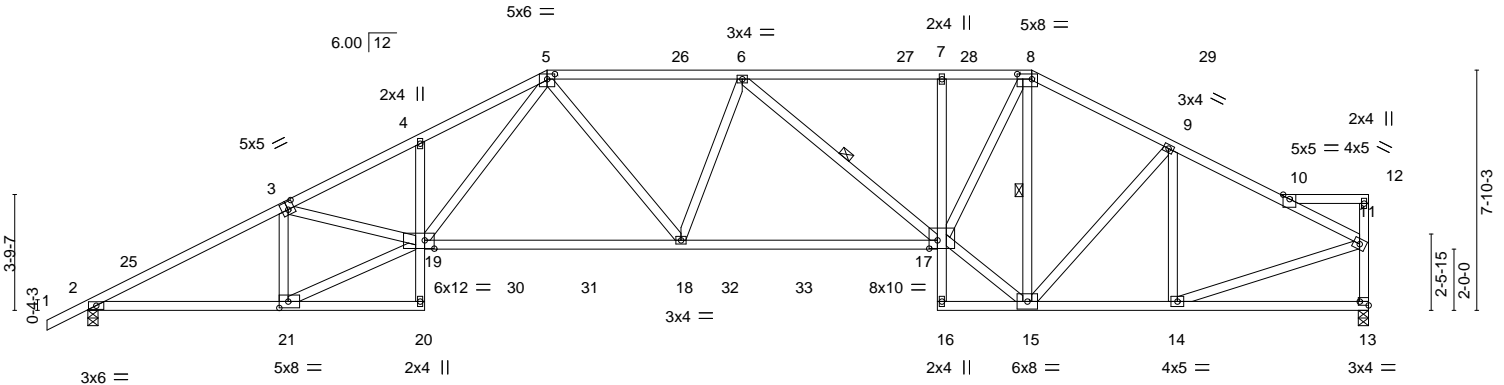
Tibbetts Lumber Co., LLC (Ocala, FL), Ocala, FL - 34472,

8.830 s Sep 3 2025 MiTek Industries, Inc. Thu Nov 20 07:02:53 2025 Page 1

ID:BVCP0onozlvFXJ68ELDtZyqlf8-17cYU?bUaAfu2DWki3RiPwMGsqLEMQEoOqKxPyHMg0

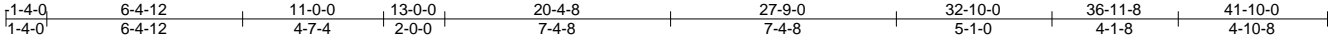


Scale = 1:75.3



Job 6260876	Truss A16	Truss Type ROOF SPECIAL	Qty 1	Ply 1	2265-C-3Car FE	T39255670
----------------	--------------	----------------------------	----------	----------	----------------	-----------

Tibbetts Lumber Co., LLC (Ocala, FL), Ocala, FL - 34472, 8.830 s Sep 3 2025 MiTek Industries, Inc. Thu Nov 20 07:02:53 2025 Page 1
 ID:BVCP0onozlvFXJ68ELDtZyqlf8-17cYU?bUaAfu2DWki3RiPwCLDsscENVEoOqKxPyHMg0



Scale = 1:75.3

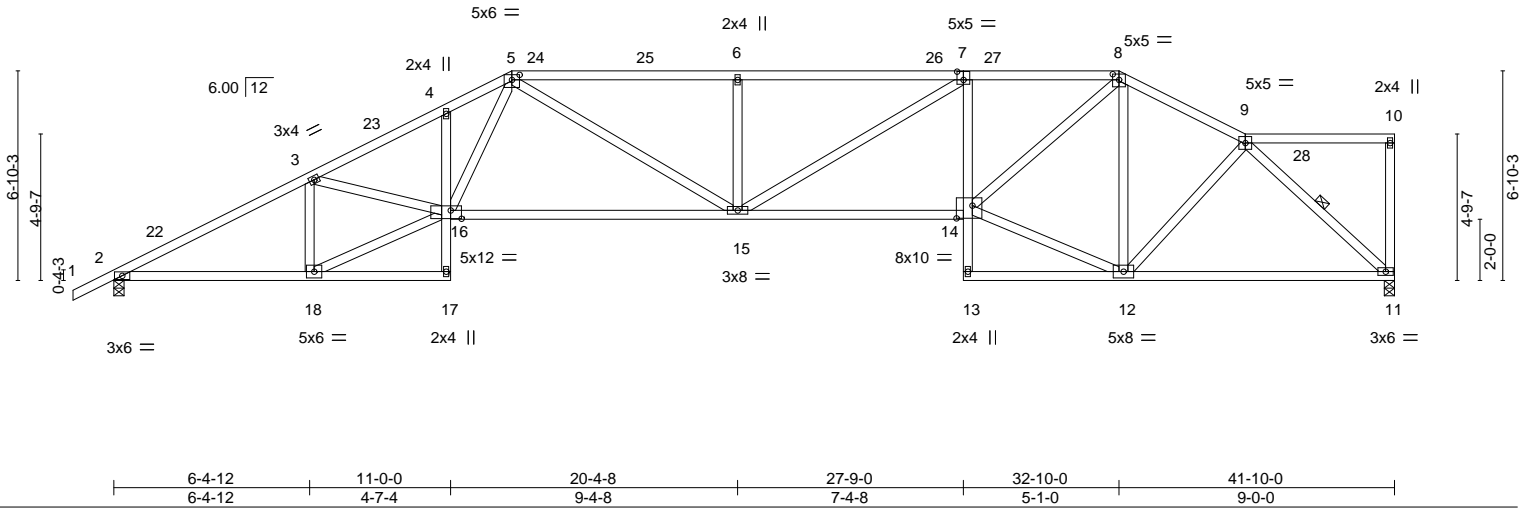


Plate Offsets (X,Y)-- [5:0-3-0-0-2-0], [7:0-2-8,0-3-4], [8:0-2-8,0-2-4], [14:0-6-4,0-5-0], [16:0-4-4,0-3-4]

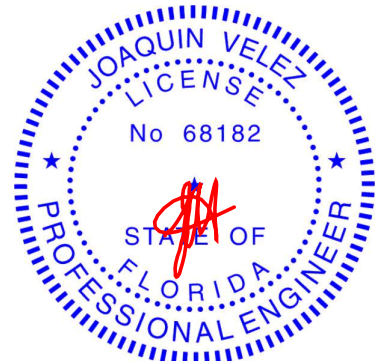
LOADING (psf)	SPACING-	CSI.	DEFL.	PLATES	GRIP
TCLL 20.0	Plate Grip DOL 1.25	TC 0.71	in (loc) l/defl L/d	MT20	244/190
TCDL 10.0	Lumber DOL 1.25	BC 0.81	Vert(LL) -0.31 15-16 >999 360		
BCLL 0.0 *	Rep Stress Incr YES	WB 0.69	Vert(CT) -0.77 15-16 >653 240		
BCDL 10.0	Code FBC2023/TPI2014	Matrix-MS	Horz(CT) 0.32 11 n/a n/a		
			Wind(LL) 0.20 15-16 >999 240	Weight: 253 lb	FT = 20%

LUMBER-	BRACING-
TOP CHORD 2x4 SP No.2 *Except* 5-7: 2x4 SP M 31 or 2x4 SP SS	TOP CHORD Structural wood sheathing directly applied or 2-2-0 oc purlins, except end verticals.
BOT CHORD 2x4 SP No.2 *Except* 14-16: 2x4 SP M 31 or 2x4 SP SS	BOT CHORD Rigid ceiling directly applied or 10-0-0 oc bracing.
WEBS 2x4 SP No.2	WEBS 1 Row at midpt 9-11

REACTIONS. (size) 11=0-4-0, 2=0-4-0
 Max Horz 2=131(LC 12)
 Max Uplift 11=-78(LC 12), 2=-105(LC 12)
 Max Grav 11=1666(LC 1), 2=1749(LC 1)

FORCES. (lb) - Max. Comp./Max. Ten. - All forces 250 (lb) or less except when shown.
 TOP CHORD 2-3=-3249/270, 3-4=-4370/449, 4-5=-4328/490, 5-6=-3907/398, 6-7=-3907/398,
 7-8=-3553/387, 8-9=-2063/222
 BOT CHORD 2-18=-322/2842, 15-16=-343/3273, 14-15=-341/3601, 7-14=-622/129, 11-12=-178/1546
 WEBS 3-18=-1136/202, 16-18=-334/3078, 3-16=-96/1036, 5-16=-145/1376, 5-15=-27/899,
 6-15=-482/149, 7-15=-16/445, 12-14=-164/1941, 8-14=-233/2316, 8-12=-889/154,
 9-12=0/454, 9-11=-2100/252

- NOTES-**
- Unbalanced roof live loads have been considered for this design.
 - Wind: ASCE 7-22; Vult=130mph (3-second gust) Vasd=101mph; TC DL=4.2psf; BCDL=6.0psf; h=15ft; B=45ft; L=24ft; eave=5ft; Cat. II; Exp B; Encl., GCpi=0.18; MWFRS (directional) and C-C Zone3 -1-4-0 to 1-8-0, Zone1 1-8-0 to 13-0-0, Zone2 13-0-0 to 17-2-15, Zone1 17-2-15 to 32-10-0, Zone3 32-10-0 to 36-11-8, Zone1 36-11-8 to 41-8-4 zone; cantilever left and right exposed ;C-C for members and forces & MWFRS for reactions shown; Lumber DOL=1.60 plate grip DOL=1.60
 - Building Designer / Project engineer responsible for verifying applied roof live load shown covers rain loading requirements specific to the use of this truss component.
 - Provide adequate drainage to prevent water ponding.
 - This truss has been designed for a 10.0 psf bottom chord live load nonconcurrent with any other live loads.
 - * This truss has been designed for a live load of 20.0psf on the bottom chord in all areas where a rectangle 3-6-0 tall by 2-0-0 wide will fit between the bottom chord and any other members.
 - Provide mechanical connection (by others) of truss to bearing plate capable of withstanding 100 lb uplift at joint(s) 11 except (jt=lb) 2=105.



Joaquin Velez PE No.68182
 MiTek Inc. DBA MiTek USA FL Cert 6634
 16023 Swingley Ridge Rd. Chesterfield, MO 63017
 Date:

November 20,2025

WARNING - Verify design parameters and READ NOTES ON THIS AND INCLUDED MITEK REFERENCE PAGE MII-7473 rev. 1/2/2023 BEFORE USE.

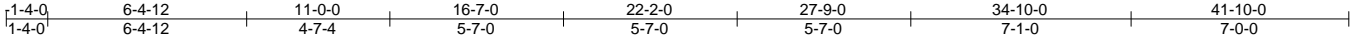
Design valid for use only with MiTek® connectors. This design is based only upon parameters shown, and is for an individual building component, not a truss system. Before use, the building designer must verify the applicability of the design parameters and properly incorporate this design into the overall building design. Bracing indicated is to prevent buckling of individual truss web and/or chord members only. Additional temporary and permanent bracing is always required for stability and to prevent collapse with possible personal injury and property damage. For general guidance regarding the fabrication, storage, delivery, erection and bracing of trusses and truss systems, see **ANSI/TPI1 Quality Criteria and DSB-22** available from Truss Plate Institute (www.tpinst.org) and **BCSI Building Component Safety Information** available from the Structural Building Component Association (www.sbcsccomponents.com)

16023 Swingley Ridge Rd.
 Chesterfield, MO 63017
 314.434.1200 / MiTek-US.com

Job 6260876	Truss A17	Truss Type HIP	Qty 1	Ply 1	2265-C-3Car FE	T39255671
----------------	--------------	-------------------	----------	----------	----------------	-----------

Tibbetts Lumber Co., LLC (Ocala, FL), Ocala, FL - 34472, 8.830 s Sep 3 2025 MiTek Industries, Inc. Thu Nov 20 07:02:54 2025 Page 1

ID:BVCP0onomzlvFXJ68ELDtZyqlf8-mK9whKb6LUnlgN5wGmzxy79WgGCuzmgN1gatTsyHMg?



Scale = 1:74.1

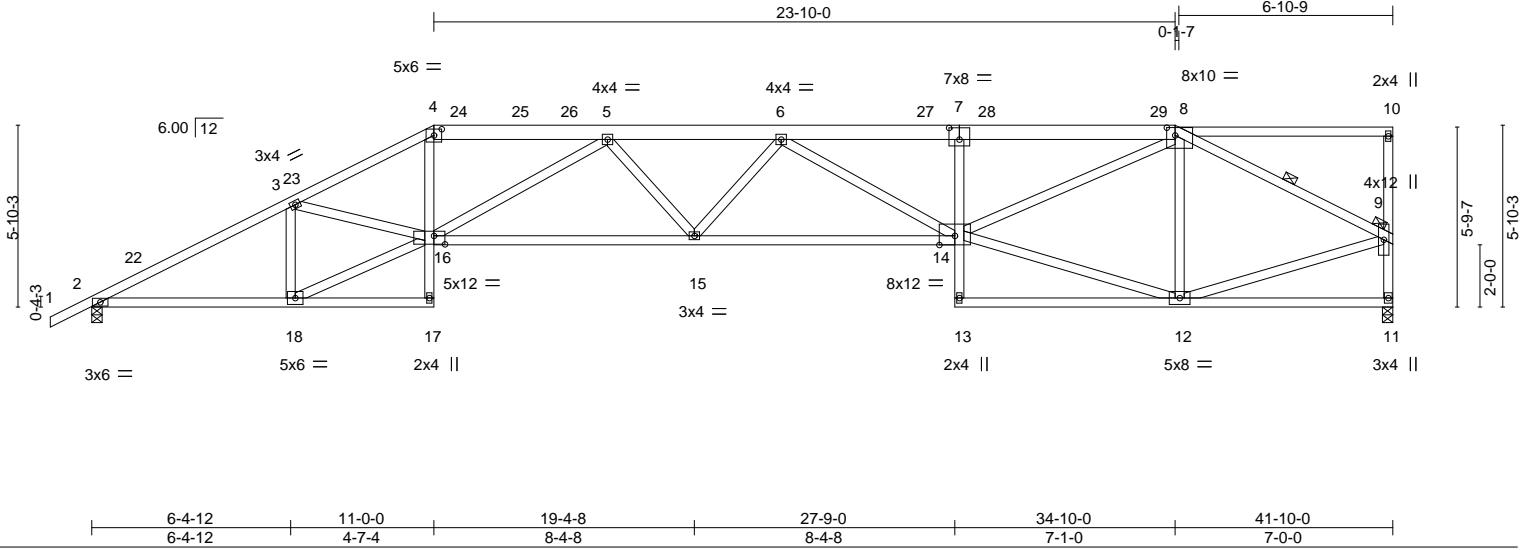


Plate Offsets (X,Y)-- [4:0-3-0,0-2-7], [7:0-4-0,0-4-8], [8:0-3-4,0-3-0], [16:0-4-4,0-3-4]

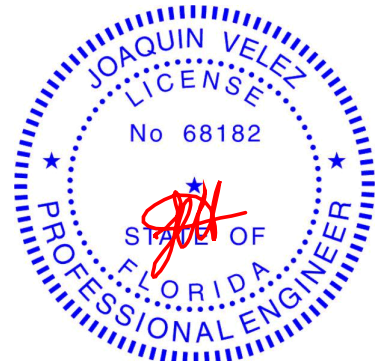
LOADING (psf)	SPACING-	CSI.	DEFL.	PLATES	GRIP
TCLL 20.0	Plate Grip DOL 1.25	TC 0.73	in (loc) l/defl L/d	MT20	244/190
TCDL 10.0	Lumber DOL 1.25	BC 0.81	Vert(LL) -0.41 14-15 >999 360		
BCLL 0.0 *	Rep Stress Incr YES	WB 0.96	Vert(CT) -0.87 14-15 >576 240		
BCDL 10.0	Code FBC2023/TPI2014	Matrix-MS	Horz(CT) 0.37 11 n/a n/a		
			Wind(LL) 0.25 15 >999 240	Weight: 272 lb	FT = 20%

LUMBER-	BRACING-
TOP CHORD 2x4 SP No.2 *Except* 4-7,7-8: 2x6 SP No.2	TOP CHORD Structural wood sheathing directly applied or 2-5-3 oc purlins, except end verticals. Except:
BOT CHORD 2x4 SP No.2 *Except* 14-16: 2x4 SP M 31 or 2x4 SP SS	1 Row at midpt 8-9
WEBS 2x4 SP No.2	BOT CHORD Rigid ceiling directly applied or 10-0-0 oc bracing.

REACTIONS. (size) 2=0-4-0, 11=0-4-0
 Max Horz 2=155(LC 12)
 Max Uplift 2=-102(LC 12), 11=-81(LC 12)
 Max Grav 2=1749(LC 1), 11=1666(LC 1)

FORCES. (lb) - Max. Comp./Max. Ten. - All forces 250 (lb) or less except when shown.
 TOP CHORD 2-3=-3247/208, 3-4=-4391/353, 4-5=-3847/333, 5-6=-4967/334, 6-7=-4483/308,
 7-8=-4447/313, 8-9=-1982/124, 9-11=-1607/139
 BOT CHORD 2-18=-280/2839, 4-16=-70/1652, 15-16=-391/4794, 14-15=-372/4983, 7-14=-368/109
 WEBS 3-18=-1127/185, 16-18=-293/3057, 3-16=-72/1095, 5-16=-1221/77, 5-15=0/367,
 6-14=-615/74, 12-14=-108/1745, 8-14=-229/2979, 8-12=-872/163, 9-12=-124/1832

- NOTES-**
- Unbalanced roof live loads have been considered for this design.
 - Wind: ASCE 7-22; Vult=130mph (3-second gust) Vasd=101mph; TC DL=4.2psf; BCDL=6.0psf; h=15ft; B=45ft; L=24ft; eave=5ft; Cat. II; Exp B; Encl., GCpi=0.18; MWFRS (directional) and C-C Zone3 -1-4-0 to 1-8-0, Zone1 1-8-0 to 11-0-0, Zone2 11-0-0 to 15-2-15, Zone1 15-2-15 to 41-8-4 zone; cantilever left and right exposed ;C-C for members and forces & MWFRS for reactions shown; Lumber DOL=1.60 plate grip DOL=1.60
 - Building Designer / Project engineer responsible for verifying applied roof live load shown covers rain loading requirements specific to the use of this truss component.
 - Provide adequate drainage to prevent water ponding.
 - This truss has been designed for a 10.0 psf bottom chord live load nonconcurrent with any other live loads.
 - * This truss has been designed for a live load of 20.0psf on the bottom chord in all areas where a rectangle 3-6-0 tall by 2-0-0 wide will fit between the bottom chord and any other members.
 - Provide mechanical connection (by others) of truss to bearing plate capable of withstanding 100 lb uplift at joint(s) 11 except (jt=lb) 2=102.
 - Graphical purlin representation does not depict the size or the orientation of the purlin along the top and/or bottom chord.



Joaquin Velez PE No.68182
 MiTek Inc. DBA MiTek USA FL Cert 6634
 16023 Swingley Ridge Rd. Chesterfield, MO 63017
 Date:

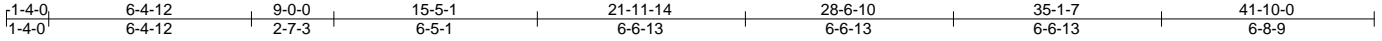
November 20,2025

<p>WARNING - Verify design parameters and READ NOTES ON THIS AND INCLUDED MITEK REFERENCE PAGE MII-7473 rev. 1/2/2023 BEFORE USE.</p> <p>Design valid for use only with MiTek® connectors. This design is based only upon parameters shown, and is for an individual building component, not a truss system. Before use, the building designer must verify the applicability of design parameters and properly incorporate this design into the overall building design. Bracing indicated is to prevent buckling of individual truss web and/or chord members only. Additional temporary and permanent bracing is always required for stability and to prevent collapse with possible personal injury and property damage. For general guidance regarding the fabrication, storage, delivery, erection and bracing of trusses and truss systems, see ANSI/TPI1 Quality Criteria and DSB-22 available from Truss Plate Institute (www.tpinst.org) and BCSI Building Component Safety Information available from the Structural Building Component Association (www.sbcsccomponents.com)</p>	<p>16023 Swingley Ridge Rd. Chesterfield, MO 63017 314.434.1200 / MiTek-US.com</p>
--	--

Job 6260876	Truss A18	Truss Type HALF HIP	Qty 1	Ply 1	2265-C-3Car FE	T39255672
----------------	--------------	------------------------	----------	----------	----------------	-----------

Tibbetts Lumber Co., LLC (Ocala, FL), Ocala, FL - 34472,

8.830 s Sep 3 2025 MiTek Industries, Inc. Thu Nov 20 07:02:55 2025 Page 1
ID:BVCP0onmzlvFXJ68ELDtZyqlf8-EWjlvGck6nvcHXg6qUUAULheefWJiG3WGKJR?lyHMg_



Scale = 1:72.7

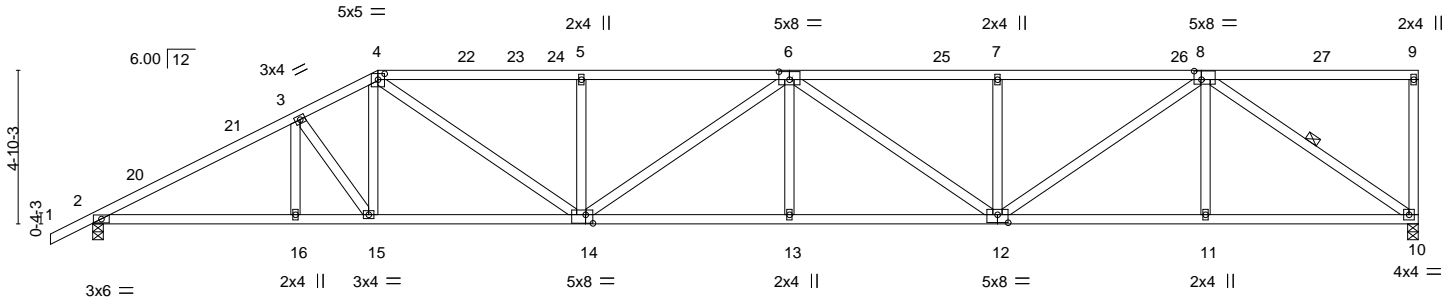


Plate Offsets (X, Y)--	[4:0-2-8,0-2-4],	[6:0-4-0,0-3-0],	[8:0-2-12,0-3-4],	[12:0-4-0,0-3-0],	[14:0-2-12,0-3-4]
------------------------	------------------	------------------	-------------------	-------------------	-------------------

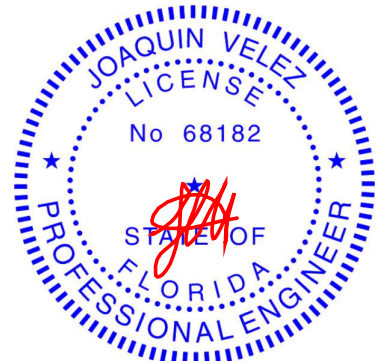
LOADING (psf)	SPACING-	CSI.	DEFL.	PLATES	GRIP
TCLL 20.0	Plate Grip DOL 1.25	TC 0.90	Vert(LL) -0.32 13-14 >999 360	MT20	244/190
TCDL 10.0	Lumber DOL 1.25	BC 0.93	Vert(CT) -0.66 13-14 >762 240		
BCLL 0.0 *	Rep Stress Incr YES	WB 0.75	Horz(CT) 0.19 10 n/a n/a		
BCDL 10.0	Code FBC2023/TPI2014	Matrix-MS	Wind(LL) 0.20 13-14 >999 240	Weight: 233 lb	FT = 20%

LUMBER-	BRACING-
TOP CHORD 2x4 SP No.2	TOP CHORD Structural wood sheathing directly applied, except end verticals.
BOT CHORD 2x4 SP No.2	BOT CHORD Rigid ceiling directly applied or 10-0-0 oc bracing, Except:
WEBS 2x4 SP No.2	WEBS 2-2-0 oc bracing: 13-14,12-13. 1 Row at midpt 8-10

REACTIONS. (size) 10=0-4-0, 2=0-4-0
 Max Horz 2=132(LC 12)
 Max Uplift 10=-78(LC 12), 2=-105(LC 12)
 Max Grav 10=1666(LC 1), 2=1749(LC 1)

FORCES. (lb) - Max. Comp./Max. Ten. - All forces 250 (lb) or less except when shown.
 TOP CHORD 2-3=-3237/218, 3-4=-2971/229, 4-5=-3632/267, 5-6=-3620/263, 6-7=-3343/215,
 7-8=-3343/215
 BOT CHORD 2-16=-263/2828, 15-16=-263/2828, 14-15=-214/2600, 13-14=-259/3854, 12-13=-259/3854,
 11-12=-138/2123, 10-11=-135/2127
 WEBS 3-15=-357/81, 4-15=-5/393, 4-14=-68/1321, 5-14=-417/123, 6-14=-353/16, 6-13=0/256,
 6-12=-621/54, 7-12=-379/104, 8-12=-99/1495, 8-11=0/282, 8-10=-2539/160

- NOTES-**
- Unbalanced roof live loads have been considered for this design.
 - Wind: ASCE 7-22; Vult=130mph (3-second gust) Vasd=101mph; TCDL=4.2psf; BCDL=6.0psf; h=15ft; B=45ft; L=24ft; eave=5ft; Cat. II; Exp B; Encl., GCpi=0.18; MWFRS (directional) and C-C Zone3 -1-4-0 to 1-8-0, Zone1 1-8-0 to 9-0-0, Zone2 9-0-0 to 13-2-15, Zone1 13-2-15 to 41-8-4 zone; cantilever left and right exposed ;C-C for members and forces & MWFRS for reactions shown; Lumber DOL=1.60 plate grip DOL=1.60
 - Building Designer / Project engineer responsible for verifying applied roof live load shown covers rain loading requirements specific to the use of this truss component.
 - Provide adequate drainage to prevent water ponding.
 - This truss has been designed for a 10.0 psf bottom chord live load nonconcurrent with any other live loads.
 - * This truss has been designed for a live load of 20.0psf on the bottom chord in all areas where a rectangle 3-6-0 tall by 2-0-0 wide will fit between the bottom chord and any other members.
 - Provide mechanical connection (by others) of truss to bearing plate capable of withstanding 100 lb uplift at joint(s) 10 except (jt=lb) 2=105.



Joaquin Velez PE No.68182
 MiTek Inc. DBA MiTek USA FL Cert 6634
 16023 Swingley Ridge Rd. Chesterfield, MO 63017
 Date:

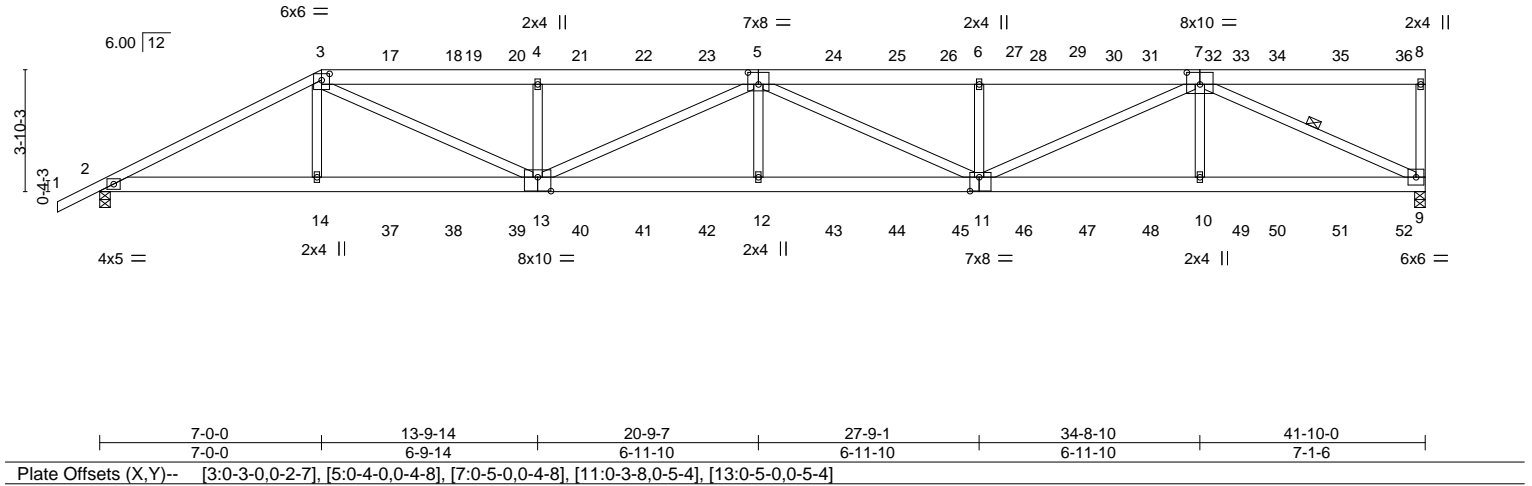
November 20,2025

<p>WARNING - Verify design parameters and READ NOTES ON THIS AND INCLUDED MITEK REFERENCE PAGE MII-7473 rev. 1/2/2023 BEFORE USE.</p> <p>Design valid for use only with MiTek® connectors. This design is based only upon parameters shown, and is for an individual building component, not a truss system. Before use, the building designer must verify the applicability of design parameters and properly incorporate this design into the overall building design. Bracing indicated is to prevent buckling of individual truss web and/or chord members only. Additional temporary and permanent bracing is always required for stability and to prevent collapse with possible personal injury and property damage. For general guidance regarding the fabrication, storage, delivery, erection and bracing of trusses and truss systems, see ANSI/TPI1 Quality Criteria and DSB-22 available from Truss Plate Institute (www.tpinst.org) and BCSI Building Component Safety Information available from the Structural Building Component Association (www.sbcsccomponents.com)</p>	<p>16023 Swingley Ridge Rd. Chesterfield, MO 63017 314.434.1200 / MiTek-US.com</p>
--	--

Job 6260876	Truss A19	Truss Type HALF HIP GIRDER	Qty 1	Ply 2	2265-C-3Car FE	T39255673
----------------	--------------	-------------------------------	----------	----------	----------------	-----------

Tibbetts Lumber Co., LLC (Ocala, FL), Ocala, FL - 34472, 8.830 s Sep 3 2025 MiTek Industries, Inc. Thu Nov 20 07:02:57 2025 Page 1
 ID:BVCP0onomzlvFXJ68ELDtZyqlf8-Avr2KMe_dP9KXrqVxuWeamn?bTEVA9HpjeY3ByHMfy
 1-4-0 7-0-0 13-9-14 20-9-7 27-9-1 34-8-10 41-10-0
 1-4-0 7-0-0 6-9-14 6-11-10 6-11-10 6-11-10 7-1-6

Scale = 1:72.7



LOADING (psf)	SPACING-	CSI.	DEFL.	PLATES	GRIP
TCLL 20.0	Plate Grip DOL 1.25	TC 0.87	Vert(LL) -0.39 12 >999 360	MT20	244/190
TCDL 10.0	Lumber DOL 1.25	BC 0.82	Vert(CT) -0.78 12 >641 240		
BCLL 0.0 *	Rep Stress Incr NO	WB 0.77	Horz(CT) 0.16 9 n/a n/a		
BCDL 10.0	Code FBC2023/TPI2014	Matrix-MS	Wind(LL) 0.24 12 >999 240	Weight: 547 lb	FT = 20%

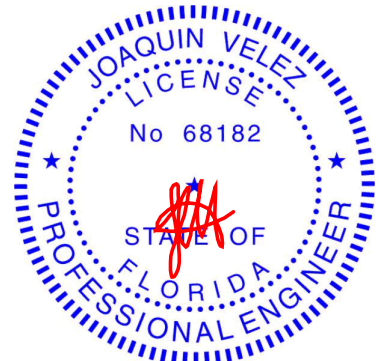
LUMBER-
 TOP CHORD 2x6 SP No.2 *Except*
 1-3: 2x4 SP No.2
 BOT CHORD 2x6 SP No.2 *Except*
 11-13: 2x6 SP DSS
 WEBS 2x4 SP No.2

BRACING-
 TOP CHORD Structural wood sheathing directly applied, except end verticals.
 BOT CHORD Rigid ceiling directly applied or 10-0-0 oc bracing.
 WEBS 1 Row at midpt 7-9

REACTIONS. (size) 9=0-4-0, 2=0-4-0
 Max Horz 2=106(LC 8)
 Max Uplift 9=-193(LC 8), 2=-185(LC 8)
 Max Grav 9=3735(LC 1), 2=3614(LC 1)

FORCES. (lb) - Max. Comp./Max. Ten. - All forces 250 (lb) or less except when shown.
 TOP CHORD 2-3=-7540/309, 3-4=-10399/518, 4-5=-10395/517, 5-6=-10247/523, 6-7=-10247/523, 8-9=-408/114
 BOT CHORD 2-14=-300/6674, 13-14=-309/6645, 12-13=-588/11598, 11-12=-588/11598, 10-11=-335/6508, 9-10=-335/6508
 WEBS 3-14=0/806, 3-13=-233/4278, 4-13=-974/263, 5-13=-1360/80, 5-12=0/591, 5-11=-1502/73, 6-11=-802/235, 7-11=-208/4158, 7-10=0/634, 7-9=-7141/368

- NOTES-**
- 2-ply truss to be connected together with 10d (0.131"x3") nails as follows:
 Top chords connected as follows: 2x4 - 1 row at 0-9-0 oc, 2x6 - 2 rows staggered at 0-9-0 oc.
 Bottom chords connected as follows: 2x6 - 2 rows staggered at 0-9-0 oc.
 Webs connected as follows: 2x4 - 1 row at 0-9-0 oc.
 - All loads are considered equally applied to all plies, except if noted as front (F) or back (B) face in the LOAD CASE(S) section. Ply to ply connections have been provided to distribute only loads noted as (F) or (B), unless otherwise indicated.
 - Unbalanced roof live loads have been considered for this design.
 - Wind: ASCE 7-22; Vult=130mph (3-second gust) Vasd=101mph; TCDL=4.2psf; BCDL=6.0psf; h=15ft; B=45ft; L=24ft; eave=5ft; Cat. II; Exp B; Encl., GCpi=0.18; MWFRS (directional); cantilever left and right exposed ; Lumber DOL=1.60 plate grip DOL=1.60
 - Building Designer / Project engineer responsible for verifying applied roof live load shown covers rain loading requirements specific to the use of this truss component.
 - Provide adequate drainage to prevent water ponding.
 - This truss has been designed for a 10.0 psf bottom chord live load nonconcurrent with any other live loads.
 - * This truss has been designed for a live load of 20.0psf on the bottom chord in all areas where a rectangle 3-6-0 tall by 2-0-0 wide will fit between the bottom chord and any other members.
 - Provide mechanical connection (by others) of truss to bearing plate capable of withstanding 100 lb uplift at joint(s) except (jt=lb) 9=193, 2=185.



Joaquin Velez PE No.68182
 MiTek Inc. DBA MiTek USA FL Cert 6634
 16023 Swingley Ridge Rd. Chesterfield, MO 63017
 Date:

November 20,2025

Job	Truss	Truss Type	Qty	Ply	2265-C-3Car FE	T39255673
6260876	A19	HALF HIP GIRDER	1	2	Job Reference (optional)	

Tibbetts Lumber Co., LLC (Ocala, FL), Ocala, FL - 34472,

8.830 s Sep 3 2025 MiTek Industries, Inc. Thu Nov 20 07:02:57 2025 Page 2
ID:BVCP0onmzlvFXJ68ELDtZyqlf8-Avr2KMe_dP9KXrqVxuWeamn?bTEVA9HpjeoY3ByHMfy

NOTES-

- 10) Hanger(s) or other connection device(s) shall be provided sufficient to support concentrated load(s) 387 lb down and 209 lb up at 7-0-0, 121 lb down and 75 lb up at 9-0-12, 121 lb down and 75 lb up at 11-0-12, 121 lb down and 75 lb up at 13-0-12, 121 lb down and 75 lb up at 15-0-12, 121 lb down and 75 lb up at 17-0-12, 121 lb down and 75 lb up at 19-0-12, 121 lb down and 75 lb up at 21-0-12, 121 lb down and 75 lb up at 23-0-12, 121 lb down and 75 lb up at 25-0-12, 121 lb down and 75 lb up at 27-0-12, 121 lb down and 75 lb up at 29-0-12, 121 lb down and 75 lb up at 31-0-12, 121 lb down and 75 lb up at 33-0-12, 121 lb down and 75 lb up at 35-0-12, 121 lb down and 75 lb up at 37-0-12, and 121 lb down and 75 lb up at 39-0-12, and 132 lb down and 71 lb up at 41-0-12 on top chord, and 352 lb down at 7-0-0, 89 lb down at 9-0-12, 89 lb down at 11-0-12, 89 lb down at 13-0-12, 89 lb down at 15-0-12, 89 lb down at 17-0-12, 89 lb down at 19-0-12, 89 lb down at 21-0-12, 89 lb down at 23-0-12, 89 lb down at 25-0-12, 89 lb down at 27-0-12, 89 lb down at 29-0-12, 89 lb down at 31-0-12, 89 lb down at 33-0-12, 89 lb down at 35-0-12, 89 lb down at 37-0-12, and 89 lb down at 39-0-12, and 96 lb down at 41-0-12 on bottom chord. The design/selection of such connection device(s) is the responsibility of others.

LOAD CASE(S) Standard

- 1) Dead + Roof Live (balanced): Lumber Increase=1.25, Plate Increase=1.25

Uniform Loads (plf)

Vert: 1-3=-60, 3-8=-60, 2-9=-20

Concentrated Loads (lb)

Vert: 3=-340(F) 14=-352(F) 5=-121(F) 12=-69(F) 17=-121(F) 18=-121(F) 20=-121(F) 21=-121(F) 22=-121(F) 23=-121(F) 24=-121(F) 25=-121(F) 27=-121(F) 29=-121(F) 30=-121(F) 31=-121(F) 33=-121(F) 34=-121(F) 35=-121(F) 36=-132(F) 37=-69(F) 38=-69(F) 39=-69(F) 40=-69(F) 41=-69(F) 42=-69(F) 43=-69(F) 44=-69(F) 45=-69(F) 46=-69(F) 47=-69(F) 48=-69(F) 49=-69(F) 50=-69(F) 51=-69(F) 52=-72(F)

WARNING - Verify design parameters and READ NOTES ON THIS AND INCLUDED MITEK REFERENCE PAGE MII-7473 rev. 1/2/2023 BEFORE USE.

Design valid for use only with MiTek® connectors. This design is based only upon parameters shown, and is for an individual building component, not a truss system. Before use, the building designer must verify the applicability of design parameters and properly incorporate this design into the overall building design. Bracing indicated is to prevent buckling of individual truss web and/or chord members only. Additional temporary and permanent bracing is always required for stability and to prevent collapse with possible personal injury and property damage. For general guidance regarding the fabrication, storage, delivery, erection and bracing of trusses and truss systems, see **ANSI/TPI1 Quality Criteria and DSB-22** available from Truss Plate Institute (www.tpinst.org) and **BCSI Building Component Safety Information** available from the Structural Building Component Association (www.sbcsccomponents.com)

MiTek®

16023 Swingley Ridge Rd.
Chesterfield, MO 63017
314.434.1200 / MiTek-US.com

Job 6260876	Truss B1	Truss Type Common	Qty 3	Ply 1	2265-C-3Car FE	T39255674
----------------	-------------	----------------------	----------	----------	----------------	-----------

Tibbetts Lumber Co., LLC (Ocala, FL), Ocala, FL - 34472,

8.830 s Sep 3 2025 MiTek Industries, Inc. Thu Nov 20 07:03:03 2025 Page 1
ID:BVCP0ononzlvFXJ68ELDtZyqlf8-?3CKaPiIDFwUFmHf19d2p1179uHEa0zi6aFsGqyHMfs



Scale = 1:33.4

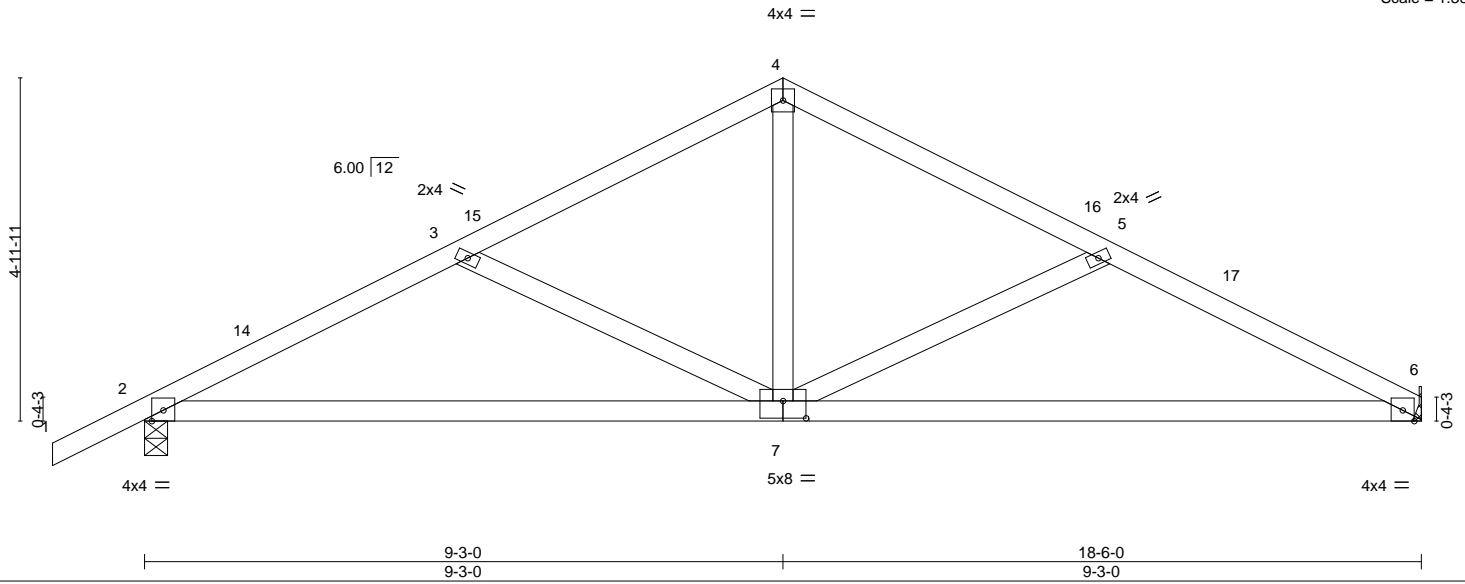


Plate Offsets (X,Y)-- [7:0-4-0-0-3-0]	9-3-0 9-3-0	18-6-0 9-3-0
---------------------------------------	----------------	-----------------

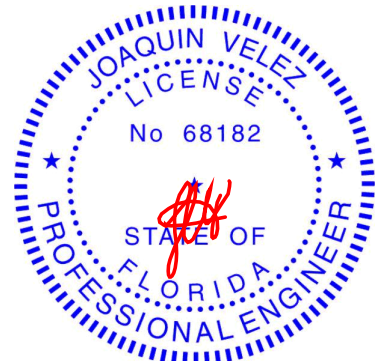
LOADING (psf)	SPACING-	CSL.	DEFL.	in (loc)	l/defl	L/d	PLATES	GRIP
TCLL 20.0	Plate Grip DOL 1.25	TC 0.42	Vert(LL) -0.12	7-10	>999	360	MT20	244/190
TCDL 10.0	Lumber DOL 1.25	BC 0.79	Vert(CT) -0.25	7-10	>871	240		
BCLL 0.0 *	Rep Stress Incr YES	WB 0.18	Horz(CT) 0.03	6	n/a	n/a		
BCDL 10.0	Code FBC2023/TPI2014	Matrix-MS	Wind(LL) 0.03	7-10	>999	240	Weight: 82 lb	FT = 20%

LUMBER-	BRACING-
TOP CHORD 2x4 SP No.2	TOP CHORD Structural wood sheathing directly applied or 4-10-10 oc purlins.
BOT CHORD 2x4 SP No.2	BOT CHORD Rigid ceiling directly applied or 10-0-0 oc bracing.
WEBS 2x4 SP No.2	

REACTIONS. (size) 6=Mechanical, 2=0-4-0
 Max Horz 2=85(LC 11)
 Max Uplift 6=-31(LC 12), 2=-72(LC 12)
 Max Grav 6=737(LC 1), 2=823(LC 1)

FORCES. (lb) - Max. Comp./Max. Ten. - All forces 250 (lb) or less except when shown.
 TOP CHORD 2-3=-1254/212, 3-4=-937/141, 4-5=-938/150, 5-6=-1263/220
 BOT CHORD 2-7=-142/1101, 6-7=-141/1113
 WEBS 4-7=-16/554, 5-7=-388/151, 3-7=-374/146

- NOTES-**
- Unbalanced roof live loads have been considered for this design.
 - Wind: ASCE 7-22; Vult=130mph (3-second gust) Vasd=101mph; TC DL=4.2psf; BCDL=6.0psf; h=15ft; B=45ft; L=24ft; eave=4ft; Cat. II; Exp B; Encl., GCpi=0.18; MWFRS (directional) and C-C Zone3 -1-4-0 to 1-8-0, Zone1 1-8-0 to 9-3-0, Zone2 9-3-0 to 13-5-15, Zone1 13-5-15 to 18-6-0 zone; cantilever left and right exposed ;C-C for members and forces & MWFRS for reactions shown; Lumber DOL=1.60 plate grip DOL=1.60
 - Building Designer / Project engineer responsible for verifying applied roof live load shown covers rain loading requirements specific to the use of this truss component.
 - This truss has been designed for a 10.0 psf bottom chord live load nonconcurrent with any other live loads.
 - * This truss has been designed for a live load of 20.0psf on the bottom chord in all areas where a rectangle 3-6-0 tall by 2-0-0 wide will fit between the bottom chord and any other members.
 - Refer to girder(s) for truss to truss connections.
 - Provide mechanical connection (by others) of truss to bearing plate capable of withstanding 100 lb uplift at joint(s) 6, 2.



Joaquin Velez PE No.68182
 MiTek Inc. DBA MiTek USA FL Cert 6634
 16023 Swingley Ridge Rd. Chesterfield, MO 63017
 Date:

November 20,2025

<p>WARNING - Verify design parameters and READ NOTES ON THIS AND INCLUDED MITEK REFERENCE PAGE MII-7473 rev. 1/2/2023 BEFORE USE.</p> <p>Design valid for use only with MiTek® connectors. This design is based only upon parameters shown, and is for an individual building component, not a truss system. Before use, the building designer must verify the applicability of design parameters and properly incorporate this design into the overall building design. Bracing indicated is to prevent buckling of individual truss web and/or chord members only. Additional temporary and permanent bracing is always required for stability and to prevent collapse with possible personal injury and property damage. For general guidance regarding the fabrication, storage, delivery, erection and bracing of trusses and truss systems, see ANSI/TPI1 Quality Criteria and DSB-22 available from Truss Plate Institute (www.tpinst.org) and BCSI Building Component Safety Information available from the Structural Building Component Association (www.sbcsccomponents.com)</p>	<p>16023 Swingley Ridge Rd. Chesterfield, MO 63017 314.434.1200 / MiTek-US.com</p>
--	--

Job 6260876	Truss B1X	Truss Type Common Supported Gable	Qty 1	Ply 1	2265-C-3Car FE	T39255675
----------------	--------------	--------------------------------------	----------	----------	----------------	-----------

Tibbetts Lumber Co., LLC (Ocala, FL), Ocala, FL - 34472,

8.830 s Sep 3 2025 MiTek Industries, Inc. Thu Nov 20 07:03:04 2025 Page 1

ID:BVCP0onomzlvFXJ68ELDtZyqlf8-TFmioljN_Y2Ksvsrrt8HMEZNIlorJVrKE?PpHyHMfr

16-6-15 16-8-9 18-6-0 19-10-0
7-3-15 0-1-9 1-9-7 1-4-0



Scale = 1:33.9

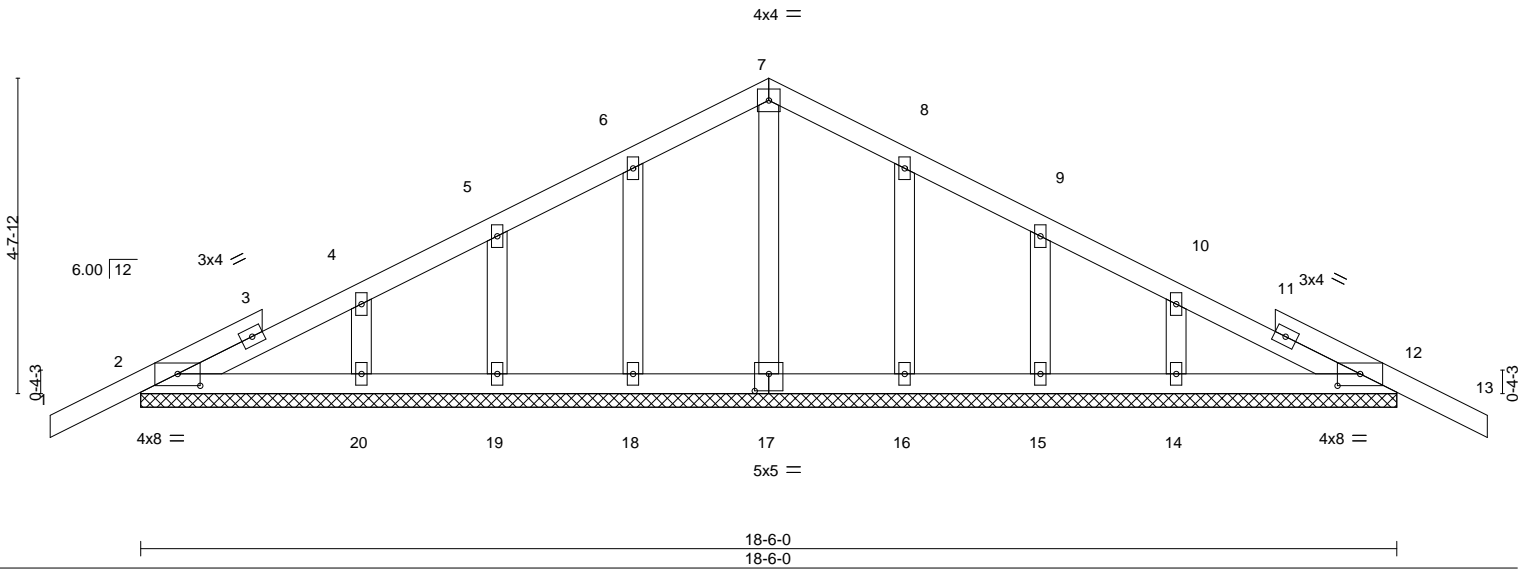


Plate Offsets (X,Y)-- [2:0-4-0,0-2-1], [12:0-4-0,0-2-1], [17:0-2-8,0-3-0]

LOADING (psf)	SPACING-	CSI.	DEFL.	PLATES	GRIP
TCLL 20.0	2-0-0	TC 0.11	in (loc) l/defl L/d	MT20	244/190
TCDL 10.0	Plate Grip DOL 1.25	BC 0.07	Vert(LL) -0.00 13 n/r 120		
BCLL 0.0 *	Lumber DOL 1.25	WB 0.04	Vert(CT) -0.00 13 n/r 120		
BCDL 10.0	Rep Stress Incr YES	Matrix-S	Horz(CT) 0.00 12 n/a n/a		
	Code FBC2023/TPI2014			Weight: 92 lb	FT = 20%

LUMBER-
TOP CHORD 2x4 SP No.2
BOT CHORD 2x4 SP No.2
OTHERS 2x4 SP No.2

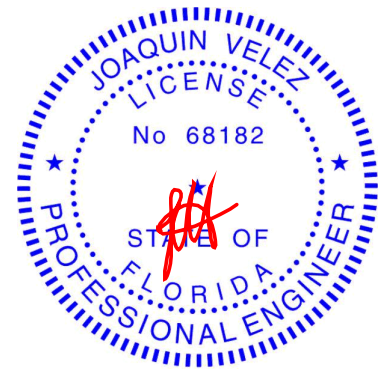
BRACING-
TOP CHORD Structural wood sheathing directly applied or 6-0-0 oc purlins.
BOT CHORD Rigid ceiling directly applied or 6-0-0 oc bracing.

REACTIONS. All bearings 18-6-0.
(lb) - Max Horz 2=-82(LC 10)
Max Uplift All uplift 100 lb or less at joint(s) 2, 12, 18, 19, 20, 16, 15, 14
Max Grav All reactions 250 lb or less at joint(s) 2, 12, 17, 18, 19, 20, 16, 15, 14

FORCES. (lb) - Max. Comp./Max. Ten. - All forces 250 (lb) or less except when shown.

NOTES-

- Unbalanced roof live loads have been considered for this design.
- Wind: ASCE 7-22; Vult=130mph (3-second gust) Vasd=101mph; TC DL=4.2psf; BCDL=6.0psf; h=15ft; B=45ft; L=24ft; eave=2ft; Cat. II; Exp B; Encl., GCpi=0.18; MWFRS (directional) and C-C Zone3 zone; cantilever left and right exposed ;C-C for members and forces & MWFRS for reactions shown; Lumber DOL=1.60 plate grip DOL=1.60
- Truss designed for wind loads in the plane of the truss only. For studs exposed to wind (normal to the face), see Standard Industry Gable End Details as applicable, or consult qualified building designer as per ANSI/TPI 1.
- Building Designer / Project engineer responsible for verifying applied roof live load shown covers rain loading requirements specific to the use of this truss component.
- All plates are 2x4 MT20 unless otherwise indicated.
- Gable requires continuous bottom chord bearing.
- Gable studs spaced at 2-0-0 oc.
- This truss has been designed for a 10.0 psf bottom chord live load nonconcurrent with any other live loads.
- * This truss has been designed for a live load of 20.0psf on the bottom chord in all areas where a rectangle 3-6-0 tall by 2-0-0 wide will fit between the bottom chord and any other members.
- Provide mechanical connection (by others) of truss to bearing plate capable of withstanding 100 lb uplift at joint(s) 2, 12, 18, 19, 20, 16, 15, 14.
- Beveled plate or shim required to provide full bearing surface with truss chord at joint(s) 2, 12.



Joaquin Velez PE No.68182
MiTek Inc. DBA MiTek USA FL Cert 6634
16023 Swingley Ridge Rd. Chesterfield, MO 63017
Date:

November 20,2025

WARNING - Verify design parameters and READ NOTES ON THIS AND INCLUDED MITEK REFERENCE PAGE MII-7473 rev. 1/2/2023 BEFORE USE.

Design valid for use only with MiTek® connectors. This design is based only upon parameters shown, and is for an individual building component, not a truss system. Before use, the building designer must verify the applicability of design parameters and properly incorporate this design into the overall building design. Bracing indicated is to prevent buckling of individual truss web and/or chord members only. Additional temporary and permanent bracing is always required for stability and to prevent collapse with possible personal injury and property damage. For general guidance regarding the fabrication, storage, delivery, erection and bracing of trusses and truss systems, see **ANSI/TPI1 Quality Criteria and DSB-22** available from Truss Plate Institute (www.tpinst.org) and **BCSI Building Component Safety Information** available from the Structural Building Component Association (www.sbcsccomponents.com)

MiTek®

16023 Swingley Ridge Rd.
Chesterfield, MO 63017
314.434.1200 / MiTek-US.com

Job	Truss	Truss Type	Qty	Ply	2265-C-3Car FE	T39255676
6260876	B2	Roof Special Girder	1	1		

Tibbetts Lumber Co., LLC (Ocala, FL), Ocala, FL - 34472, 8.830 s Sep 3 2025 MiTek Industries, Inc. Thu Nov 20 07:03:05 2025 Page 1

ID:BVCP0onozlvFXJ68ELDtZyqlf8-xRK4?5k0IsABU3R1PafWuS6Pthy52nW?ZukzLjyHMfq



Scale = 1:51.6

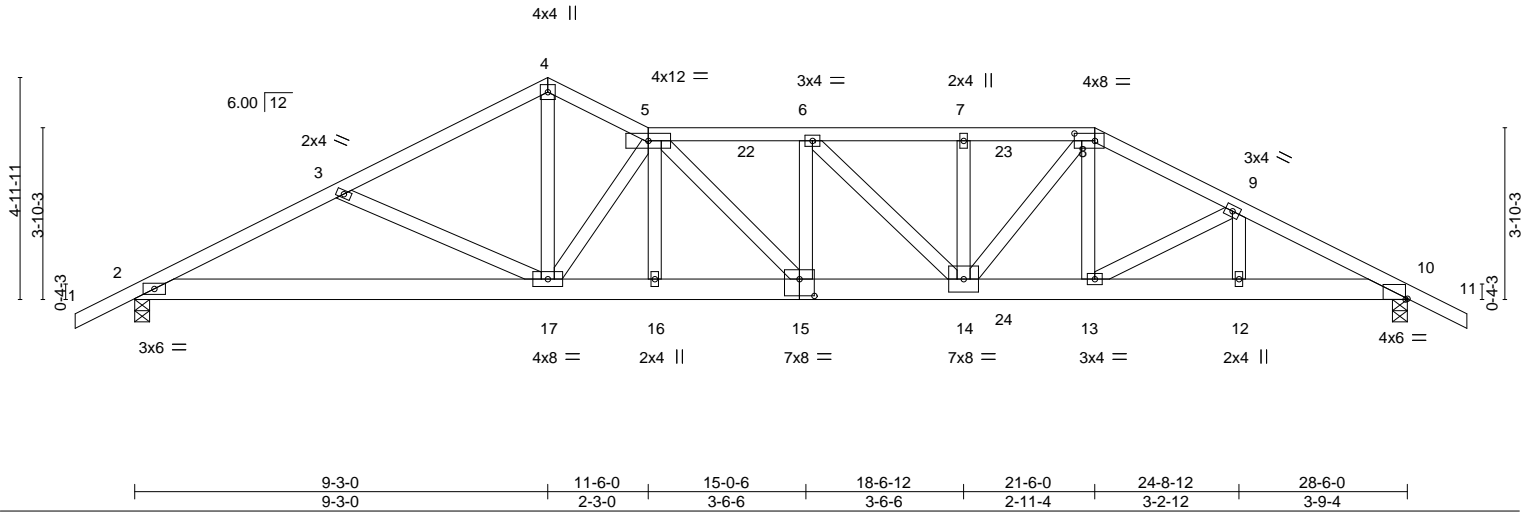


Plate Offsets (X,Y)-- [8:0-5-8,0-2-0], [10:0-0-8,0-0-3], [15:0-4-0,0-4-8]

LOADING (psf)	SPACING-	CSI.	DEFL.	PLATES	GRIP
TCLL 20.0	Plate Grip DOL 1.25	TC 0.66	in (loc) l/defl L/d	MT20	244/190
TCDL 10.0	Lumber DOL 1.25	BC 0.83	Vert(LL) -0.25 14-15 >999 360		
BCLL 0.0 *	Rep Stress Incr NO	WB 0.76	Vert(CT) -0.49 14-15 >701 240		
BCDL 10.0	Code FBC2023/TPI2014	Matrix-MS	Horz(CT) 0.11 10 n/a n/a		
			Wind(LL) 0.15 14-15 >999 240	Weight: 181 lb	FT = 20%

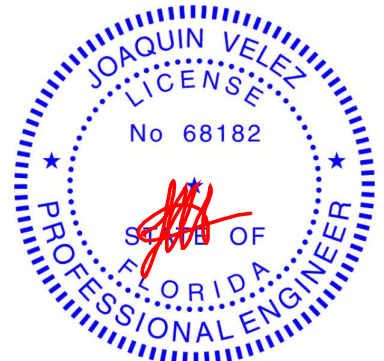
LUMBER-	BRACING-
TOP CHORD 2x4 SP No.2	TOP CHORD Structural wood sheathing directly applied or 2-1-5 oc purlins.
BOT CHORD 2x6 SP No.2 *Except*	BOT CHORD Rigid ceiling directly applied or 10-0-0 oc bracing.
WEBS 2x4 SP No.2	

REACTIONS. (size) 2=0-4-0, 10=0-4-0
 Max Horz 2=90(LC 26)
 Max Uplift 2=-120(LC 8), 10=-152(LC 8)
 Max Grav 2=1852(LC 1), 10=2616(LC 1)

FORCES. (lb) - Max. Comp./Max. Ten. - All forces 250 (lb) or less except when shown.
 TOP CHORD 2-3=-3566/211, 3-4=-3269/166, 4-5=-3203/174, 5-6=-5040/275, 6-7=-5439/297,
 7-8=-5439/297, 8-9=-5130/255, 9-10=-5295/230
 BOT CHORD 2-17=-125/3170, 16-17=-133/4298, 15-16=-133/4295, 14-15=-170/5066, 13-14=-127/4583,
 12-13=-149/4709, 10-12=-149/4709
 WEBS 3-17=-343/111, 4-17=-87/2606, 5-17=-2636/182, 5-15=-59/1144, 6-15=-665/124,
 6-14=-346/671, 7-14=-570/137, 8-14=-95/1325, 8-13=0/709, 9-13=-276/89

- NOTES-**
- Unbalanced roof live loads have been considered for this design.
 - Wind: ASCE 7-22; Vult=130mph (3-second gust) Vasd=101mph; TC DL=4.2psf; BCDL=6.0psf; h=15ft; B=45ft; L=29ft; eave=4ft; Cat. II; Exp B; Encl. .GCpi=0.18; MWFRS (directional); cantilever left and right exposed; Lumber DOL=1.60 plate grip DOL=1.60
 - Building Designer / Project engineer responsible for verifying applied roof live load shown covers rain loading requirements specific to the use of this truss component.
 - Provide adequate drainage to prevent water ponding.
 - This truss has been designed for a 10.0 psf bottom chord live load nonconcurrent with any other live loads.
 - * This truss has been designed for a live load of 20.0psf on the bottom chord in all areas where a rectangle 3-6-0 tall by 2-0-0 wide will fit between the bottom chord and any other members.
 - Provide mechanical connection (by others) of truss to bearing plate capable of withstanding 100 lb uplift at joint(s) except (jt=lb) 2=120, 10=152.
 - Hanger(s) or other connection device(s) shall be provided sufficient to support concentrated load(s) 344 lb down and 88 lb up at 18-6-12, and 161 lb down and 75 lb up at 19-5-4, and 436 lb down and 210 lb up at 21-6-0 on top chord, and 843 lb down and 42 lb up at 18-6-12, and 89 lb down at 19-5-4, and 352 lb down at 21-5-4 on bottom chord. The design/selection of such connection device(s) is the responsibility of others.
 - In the LOAD CASE(S) section, loads applied to the face of the truss are noted as front (F) or back (B).

LOAD CASE(S) Standard
 1) Dead + Roof Live (balanced): Lumber Increase=1.25, Plate Increase=1.25



Joaquin Velez PE No.68182
 MiTek Inc. DBA MiTek USA FL Cert 6634
 16023 Swingley Ridge Rd. Chesterfield, MO 63017
 Date:

November 20,2025

Continued on page 2

WARNING - Verify design parameters and READ NOTES ON THIS AND INCLUDED MITEK REFERENCE PAGE MII-7473 rev. 1/2/2023 BEFORE USE.

Design valid for use only with MiTek® connectors. This design is based only upon parameters shown, and is for an individual building component, not a truss system. Before use, the building designer must verify the applicability of design parameters and properly incorporate this design into the overall building design. Bracing indicated is to prevent buckling of individual truss web and/or chord members only. Additional temporary and permanent bracing is always required for stability and to prevent collapse with possible personal injury and property damage. For general guidance regarding the fabrication, storage, delivery, erection and bracing of trusses and truss systems, see **ANSI/TPI1 Quality Criteria and DSB-22** available from Truss Plate Institute (www.tpinst.org) and **BCSI Building Component Safety Information** available from the Structural Building Component Association (www.sbcsccomponents.com)

MiTek®
 16023 Swingley Ridge Rd.
 Chesterfield, MO 63017
 314.434.1200 / MiTek-US.com

Job	Truss	Truss Type	Qty	Ply	2265-C-3Car FE	T39255676
6260876	B2	Roof Special Girder	1	1	Job Reference (optional)	

Tibbetts Lumber Co., LLC (Ocala, FL), Ocala, FL - 34472,

8.830 s Sep 3 2025 MiTek Industries, Inc. Thu Nov 20 07:03:05 2025 Page 2
ID:BVCP0onomzlvFXJ68ELDtZyqlf8-xRK4?5k0lsABU3R1PafWuS6Pthy52nW?ZukzLjyHMfq

LOAD CASE(S) Standard

Uniform Loads (plf)

Vert: 1-4=-60, 4-5=-60, 5-8=-60, 8-11=-60, 2-10=-20

Concentrated Loads (lb)

Vert: 8=-340(F) 7=-304(F) 14=-843(F) 13=-352(F) 23=-121(F) 24=-69(F)

WARNING - Verify design parameters and READ NOTES ON THIS AND INCLUDED MITEK REFERENCE PAGE MII-7473 rev. 1/2/2023 BEFORE USE.

Design valid for use only with MiTek® connectors. This design is based only upon parameters shown, and is for an individual building component, not a truss system. Before use, the building designer must verify the applicability of design parameters and properly incorporate this design into the overall building design. Bracing indicated is to prevent buckling of individual truss web and/or chord members only. Additional temporary and permanent bracing is always required for stability and to prevent collapse with possible personal injury and property damage. For general guidance regarding the fabrication, storage, delivery, erection and bracing of trusses and truss systems, see **ANSI/TPI1 Quality Criteria and DSB-22** available from Truss Plate Institute (www.tpinst.org) and **BCSI Building Component Safety Information** available from the Structural Building Component Association (www.sbcsccomponents.com)

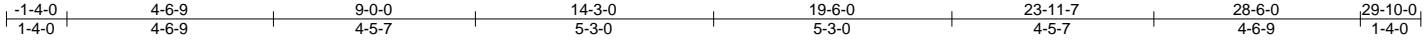
MiTek®

16023 Swingley Ridge Rd.
Chesterfield, MO 63017
314.434.1200 / MiTek-US.com

Job	Truss	Truss Type	Qty	Ply	2265-C-3Car FE	T39255677
6260876	B3	Hip	1	1		

Tibbetts Lumber Co., LLC (Ocala, FL), Ocala, FL - 34472, 8.830 s Sep 3 2025 MiTek Industries, Inc. Thu Nov 20 07:03:05 2025 Page 1

ID:BVCP0onomzlvFXJ68ELDtZyqlf8-xRK4?5k0IsABU3R1PaFwUs6TXhzq2wk?ZukzLjyHMfq



Scale = 1:50.8

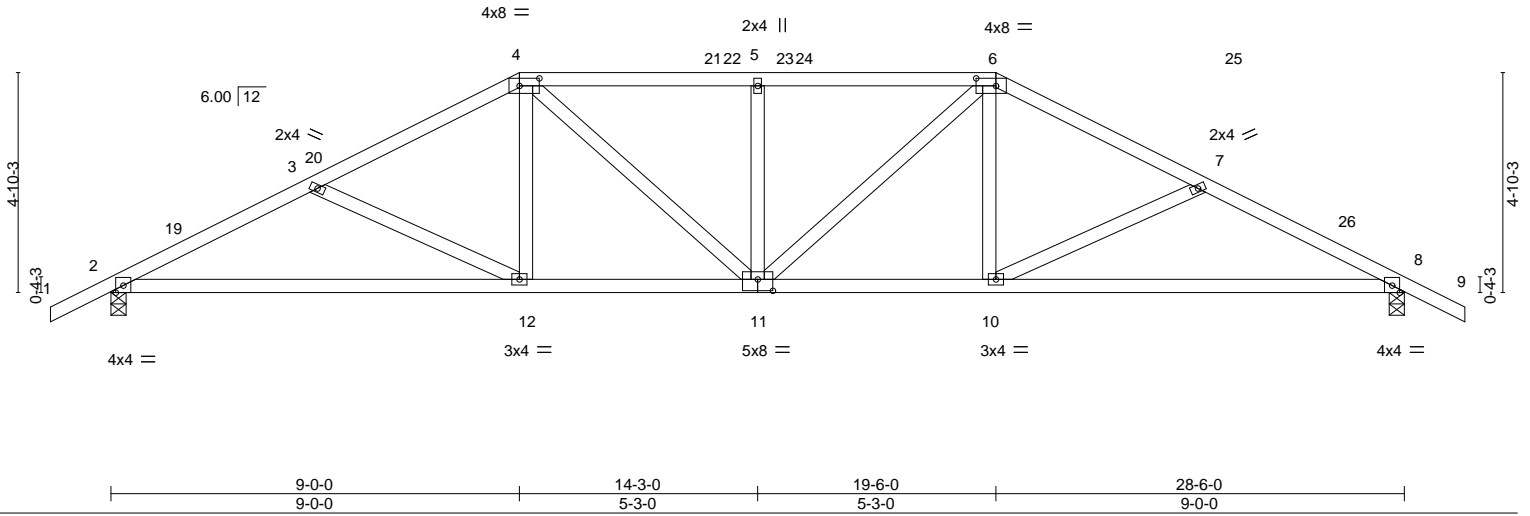


Plate Offsets (X,Y)-- [4:0-5-4,0-2-0], [6:0-5-4,0-2-0], [11:0-4-0,0-3-0]

LOADING (psf)	SPACING-	CSI.	DEFL.	in (loc)	l/defl	L/d	PLATES	GRIP
TCLL 20.0	Plate Grip DOL 1.25	TC 0.43	Vert(LL) -0.15	10-18	>999	360	MT20	244/190
TCDL 10.0	Lumber DOL 1.25	BC 0.79	Vert(CT) -0.34	10-18	>999	240		
BCLL 0.0 *	Rep Stress Incr YES	WB 0.17	Horz(CT) 0.08	8	n/a	n/a		
BCDL 10.0	Code FBC2023/TP12014	Matrix-MS	Wind(LL) 0.06	11	>999	240	Weight: 146 lb	FT = 20%

LUMBER-
 TOP CHORD 2x4 SP No.2
 BOT CHORD 2x4 SP No.2
 WEBS 2x4 SP No.2

BRACING-
 TOP CHORD Structural wood sheathing directly applied or 3-9-13 oc purlins.
 BOT CHORD Rigid ceiling directly applied or 10-0-0 oc bracing.

REACTIONS. (size) 2=0-4-0, 8=0-4-0
 Max Horz 2=-88(LC 10)
 Max Uplift 2=-87(LC 12), 8=-87(LC 12)
 Max Grav 2=1220(LC 1), 8=1220(LC 1)

FORCES. (lb) - Max. Comp./Max. Ten. - All forces 250 (lb) or less except when shown.
 TOP CHORD 2-3=-2122/215, 3-4=-1812/163, 4-5=-1807/205, 5-6=-1807/205, 6-7=-1812/163,
 7-8=-2122/215
 BOT CHORD 2-12=-129/1877, 11-12=-27/1569, 10-11=-34/1569, 8-10=-138/1877
 WEBS 3-12=-353/113, 4-12=0/402, 4-11=-54/408, 5-11=-359/103, 6-11=-54/408, 6-10=0/402,
 7-10=-353/113

- NOTES-**
- Unbalanced roof live loads HAVING been considered for this design.
 - Wind: ASCE 7-22; Vult=130mph (3-second gust) Vasd=101mph; TC DL=4.2psf; BCDL=6.0psf; h=15ft; B=45ft; L=29ft; eave=4ft; Cat. II; Exp B; Encl. GCpi=0.18; MWFRS (directional) and C-C Zone3 -1-4-0 to 1-8-0, Zone1 1-8-0 to 9-0-0, Zone2 9-0-0 to 13-2-15, Zone1 13-2-15 to 19-6-0, Zone2 19-6-0 to 23-8-15, Zone1 23-8-15 to 29-10-0 zone; cantilever left and right exposed ;C-C for members and forces & MWFRS for reactions shown; Lumber DOL=1.60 plate grip DOL=1.60
 - Building Designer / Project engineer responsible for verifying applied roof live load shown covers rain loading requirements specific to the use of this truss component.
 - Provide adequate drainage to prevent water ponding.
 - This truss has been designed for a 10.0 psf bottom chord live load nonconcurrent with any other live loads.
 - * This truss has been designed for a live load of 20.0psf on the bottom chord in all areas where a rectangle 3-6-0 tall by 2-0-0 wide will fit between the bottom chord and any other members.
 - Provide mechanical connection (by others) of truss to bearing plate capable of withstanding 100 lb uplift at joint(s) 2, 8.



Joaquin Velez PE No.68182
 MiTek Inc. DBA MiTek USA FL Cert 6634
 16023 Swingley Ridge Rd. Chesterfield, MO 63017
 Date:

November 20,2025

WARNING - Verify design parameters and READ NOTES ON THIS AND INCLUDED MITEK REFERENCE PAGE MII-7473 rev. 1/2/2023 BEFORE USE.

Design valid for use only with MiTek® connectors. This design is based only upon parameters shown, and is for an individual building component, not a truss system. Before use, the building designer must verify the applicability of design parameters and properly incorporate this design into the overall building design. Bracing indicated is to prevent buckling of individual truss web and/or chord members only. Additional temporary and permanent bracing is always required for stability and to prevent collapse with possible personal injury and property damage. For general guidance regarding the fabrication, storage, delivery, erection and bracing of trusses and truss systems, see **ANSI/TP1 Quality Criteria and DSB-22** available from Truss Plate Institute (www.tpinst.org) and **BCSI Building Component Safety Information** available from the Structural Building Component Association (www.sbcsccomponents.com)

MiTek®

16023 Swingley Ridge Rd.
 Chesterfield, MO 63017
 314.434.1200 / MiTek-US.com

Job 6260876	Truss B4	Truss Type Roof Special	Qty 1	Ply 1	2265-C-3Car FE	T39255678
----------------	-------------	----------------------------	----------	----------	----------------	-----------

Tibbetts Lumber Co., LLC (Ocala, FL), Ocala, FL - 34472, 8.830 s Sep 3 2025 MiTek Industries, Inc. Thu Nov 20 07:03:06 2025 Page 1

ID:BVCP0onomzlvFXJ68ELDtZyqlf8-PduSDRIeWAI26D0EzHAIRfdo5lenL?8oYUWt9yHMfp



Scale = 1:51.6

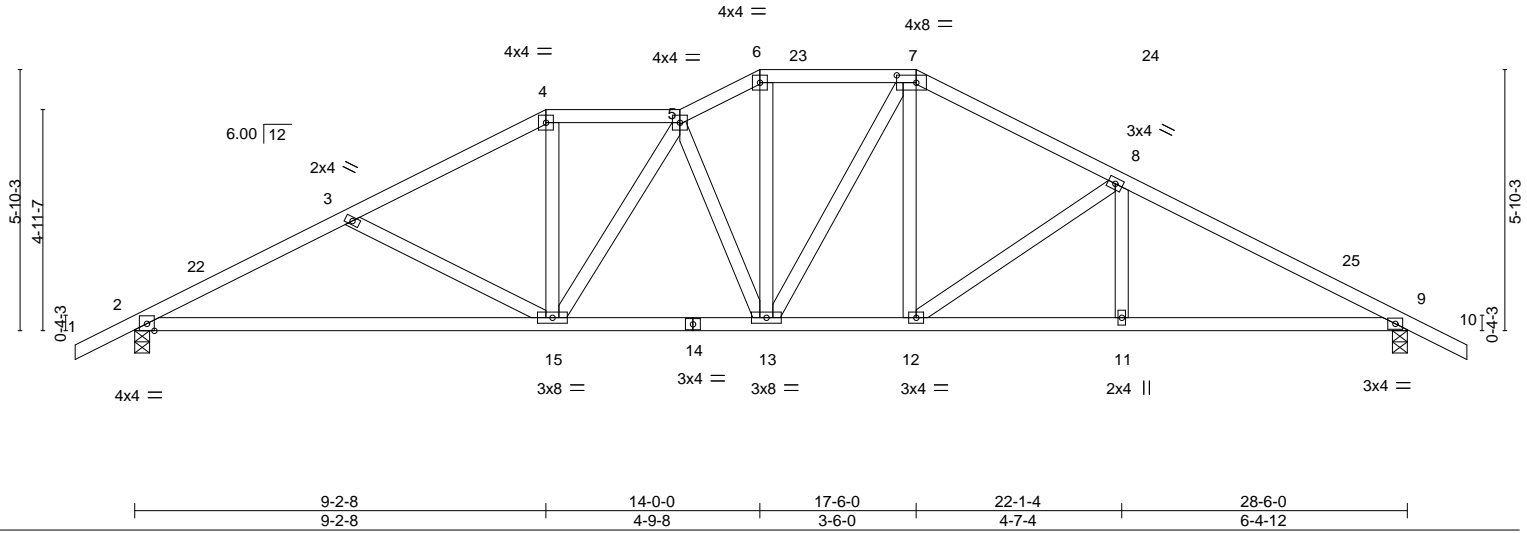


Plate Offsets (X,Y)-- [7:0-5-4,0-2-0]

LOADING (psf)	SPACING-	CSI.	DEFL.	in (loc)	l/defl	L/d	PLATES	GRIP
TCLL 20.0	Plate Grip DOL 1.25	TC 0.46	Vert(LL) -0.17	15-18	>999	360	MT20	244/190
TCDL 10.0	Lumber DOL 1.25	BC 0.81	Vert(CT) -0.37	15-18	>923	240		
BCLL 0.0 *	Rep Stress Incr YES	WB 0.29	Horz(CT) 0.08	9	n/a	n/a		
BCDL 10.0	Code FBC2023/TP12014	Matrix-MS	Wind(LL) 0.05	13	>999	240		
							Weight: 159 lb	FT = 20%

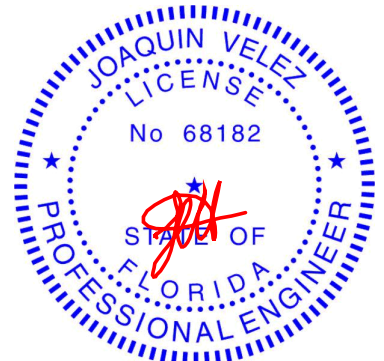
LUMBER-
TOP CHORD 2x4 SP No.2
BOT CHORD 2x4 SP No.2
WEBS 2x4 SP No.2

BRACING-
TOP CHORD Structural wood sheathing directly applied or 3-7-6 oc purlins.
BOT CHORD Rigid ceiling directly applied or 10-0-0 oc bracing.

REACTIONS. (size) 2=0-4-0, 9=0-4-0
Max Horz 2=-105(LC 10)
Max Uplift 2=-87(LC 12), 9=-87(LC 12)
Max Grav 2=1220(LC 1), 9=1220(LC 1)

FORCES. (lb) - Max. Comp./Max. Ten. - All forces 250 (lb) or less except when shown.
TOP CHORD 2-3=-2102/308, 3-4=-1792/271, 4-5=-1557/264, 5-6=-1622/315, 6-7=-1457/293,
7-8=-1618/289, 8-9=-2088/290
BOT CHORD 2-15=-197/1856, 13-15=-165/1694, 12-13=-116/1388, 11-12=-194/1805, 9-11=-194/1805
WEBS 3-15=-358/133, 4-15=-27/550, 5-15=-277/97, 5-13=-653/117, 6-13=-69/541,
7-12=-4/377, 8-12=-520/95

- NOTES-**
- Unbalanced roof live loads have been considered for this design.
 - Wind: ASCE 7-22; Vult=130mph (3-second gust) Vasd=101mph; TCDL=4.2psf; BCDL=6.0psf; h=15ft; B=45ft; L=29ft; eave=4ft; Cat. II; Exp B; Encl. GCpi=0.18; MWFRS (directional) and C-C Zone3 -1-4-0 to 1-8-0, Zone1 1-8-0 to 9-2-8, Zone3 9-2-8 to 12-2-8, Zone1 12-2-8 to 14-0-0, Zone3 14-0-0 to 17-6-0, Zone1 17-6-0 to 21-8-15, Zone1 21-8-15 to 29-10-0 zone; cantilever left and right exposed ;C-C for members and forces & MWFRS for reactions shown; Lumber DOL=1.60 plate grip DOL=1.60
 - Building Designer / Project engineer responsible for verifying applied roof live load shown covers rain loading requirements specific to the use of this truss component.
 - Provide adequate drainage to prevent water ponding.
 - This truss has been designed for a 10.0 psf bottom chord live load nonconcurrent with any other live loads.
 - * This truss has been designed for a live load of 20.0psf on the bottom chord in all areas where a rectangle 3-6-0 tall by 2-0-0 wide will fit between the bottom chord and any other members.
 - Provide mechanical connection (by others) of truss to bearing plate capable of withstanding 100 lb uplift at joint(s) 2, 9.



Joaquin Velez PE No.68182
MiTek Inc. DBA MiTek USA FL Cert 6634
16023 Swingley Ridge Rd. Chesterfield, MO 63017
Date:

November 20,2025

Job 6260876	Truss B5	Truss Type Roof Special	Qty 1	Ply 1	2265-C-3Car FE	T39255679
----------------	-------------	----------------------------	----------	----------	----------------	-----------

Tibbetts Lumber Co., LLC (Ocala, FL), Ocala, FL - 34472,

8.830 s Sep 3 2025 MiTek Industries, Inc. Thu Nov 20 07:03:06 2025 Page 1
ID:BVCP0onomzlvFXJ68ELDtZyqlf8-PduSDRleWAl26D0EzHAIRffX45FHnKZ8oYUWt9yHMfp



Scale = 1:51.7

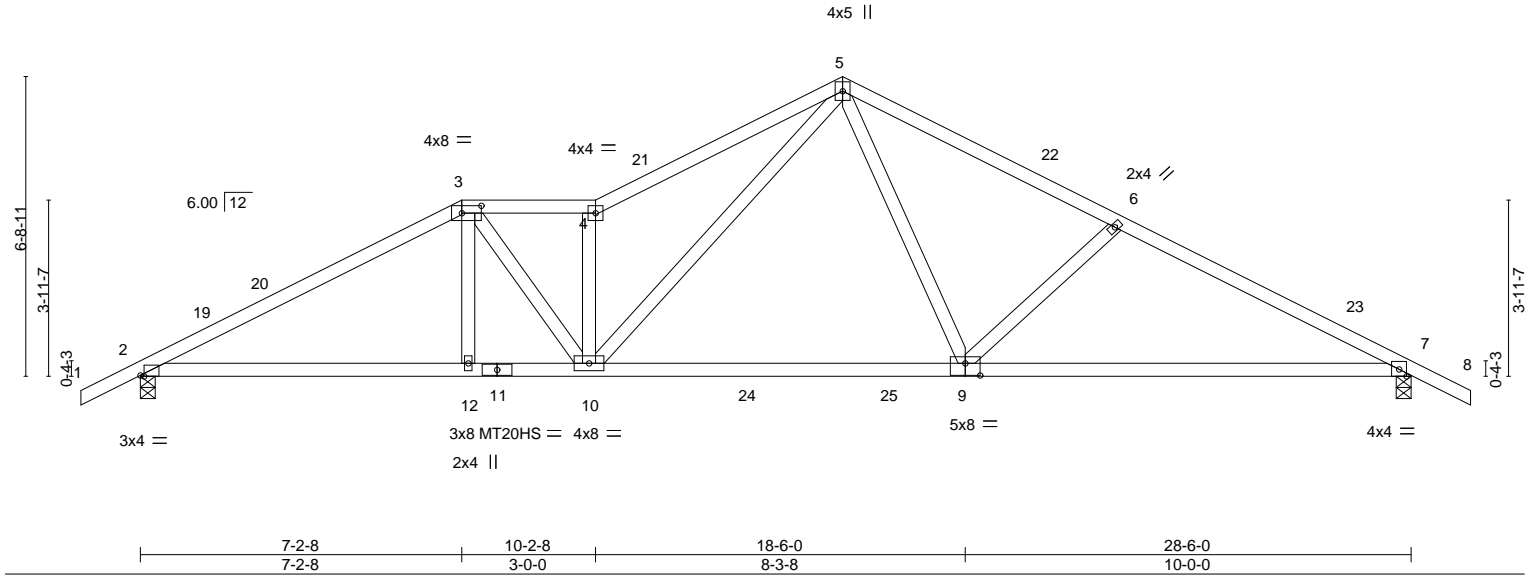


Plate Offsets (X,Y)-- [2:0-1-0,Edge], [3:0-5-4,0-2-0], [9:0-4-0,0-3-4]

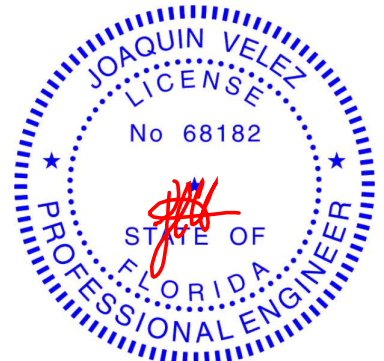
LOADING (psf)	SPACING-	CSI.	DEFL.	PLATES	GRIP
TCLL 20.0	Plate Grip DOL 1.25	TC 0.89	Vert(LL) -0.23 9-10 >999 360	MT20	244/190
TCDL 10.0	Lumber DOL 1.25	BC 0.96	Vert(CT) -0.41 9-10 >827 240	MT20HS	187/143
BCLL 0.0 *	Rep Stress Incr YES	WB 0.32	Horz(CT) 0.07 7 n/a n/a		
BCDL 10.0	Code FBC2023/TPI2014	Matrix-MS	Wind(LL) 0.07 9-10 >999 240		
				Weight: 140 lb	FT = 20%

LUMBER-	BRACING-
TOP CHORD 2x4 SP No.2	TOP CHORD Structural wood sheathing directly applied.
BOT CHORD 2x4 SP No.2 *Except*	BOT CHORD Rigid ceiling directly applied or 10-0-0 oc bracing, Except:
WEBS 2x4 SP No.2	2-2-0 oc bracing: 9-10.

REACTIONS. (size) 2=0-4-0, 7=0-4-0
 Max Horz 2=120(LC 11)
 Max Uplift 2=-87(LC 12), 7=-87(LC 12)
 Max Grav 2=1340(LC 17), 7=1342(LC 18)

FORCES. (lb) - Max. Comp./Max. Ten. - All forces 250 (lb) or less except when shown.
 TOP CHORD 2-3=-2208/237, 3-4=-2272/267, 4-5=-2665/354, 5-6=-1944/212, 6-7=-2204/242
 BOT CHORD 2-12=-121/1986, 10-12=-120/1994, 9-10=-40/1422, 7-9=-150/1932
 WEBS 3-10=-47/602, 4-10=-1357/236, 5-10=-181/1459, 5-9=0/745, 6-9=-419/156

- NOTES-**
- 1) Unbalanced roof live loads have been considered for this design.
 - 2) Wind: ASCE 7-22; Vult=130mph (3-second gust) Vasd=101mph; TC DL=4.2psf; BCDL=6.0psf; h=15ft; B=45ft; L=29ft; eave=4ft; Cat. II; Exp B; Encl., GCpi=0.18; MWFRS (directional) and C-C Zone3 -1-4-0 to 1-8-0, Zone1 1-8-0 to 7-2-8, Zone3 7-2-8 to 10-2-8, Zone1 10-2-8 to 15-9-0, Zone2 15-9-0 to 19-11-15, Zone1 19-11-15 to 29-10-0 zone; cantilever left and right exposed ;C-C for members and forces & MWFRS for reactions shown; Lumber DOL=1.60 plate grip DOL=1.60
 - 3) Building Designer / Project engineer responsible for verifying applied roof live load shown covers rain loading requirements specific to the use of this truss component.
 - 4) Provide adequate drainage to prevent water ponding.
 - 5) All plates are MT20 plates unless otherwise indicated.
 - 6) This truss has been designed for a 10.0 psf bottom chord live load nonconcurrent with any other live loads.
 - 7) * This truss has been designed for a live load of 20.0psf on the bottom chord in all areas where a rectangle 3-6-0 tall by 2-0-0 wide will fit between the bottom chord and any other members, with BCDL = 10.0psf.
 - 8) Provide mechanical connection (by others) of truss to bearing plate capable of withstanding 100 lb uplift at joint(s) 2, 7.



Joaquin Velez PE No.68182
 MiTek Inc. DBA MiTek USA FL Cert 6634
 16023 Swingley Ridge Rd. Chesterfield, MO 63017
 Date:

November 20,2025

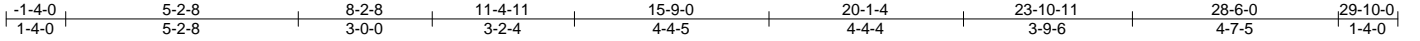
<p>WARNING - Verify design parameters and READ NOTES ON THIS AND INCLUDED MITEK REFERENCE PAGE MII-7473 rev. 1/2/2023 BEFORE USE.</p> <p>Design valid for use only with MiTek® connectors. This design is based only upon parameters shown, and is for an individual building component, not a truss system. Before use, the building designer must verify the applicability of design parameters and properly incorporate this design into the overall building design. Bracing indicated is to prevent buckling of individual truss web and/or chord members only. Additional temporary and permanent bracing is always required for stability and to prevent collapse with possible personal injury and property damage. For general guidance regarding the fabrication, storage, delivery, erection and bracing of trusses and truss systems, see ANSI/TPI1 Quality Criteria and DSB-22 available from Truss Plate Institute (www.tpinst.org) and BCSI Building Component Safety Information available from the Structural Building Component Association (www.sbcsccomponents.com)</p>	<p>16023 Swingley Ridge Rd. Chesterfield, MO 63017 314.434.1200 / MiTek-US.com</p>
--	--

Job	Truss	Truss Type	Qty	Ply	2265-C-3Car FE	T39255680
6260876	B6	Roof Special Girder	1	1		

Tibbetts Lumber Co., LLC (Ocala, FL), Ocala, FL - 34472,

8.830 s Sep 3 2025 MiTek Industries, Inc. Thu Nov 20 07:03:07 2025 Page 1

ID:BVCP0onomzlvFXJ68ELDTZyqlf8-uqSqQnIGHTQvjNbQX?i_ztBlmVjsWibH0CD3QbyHMfo



Scale = 1:51.6

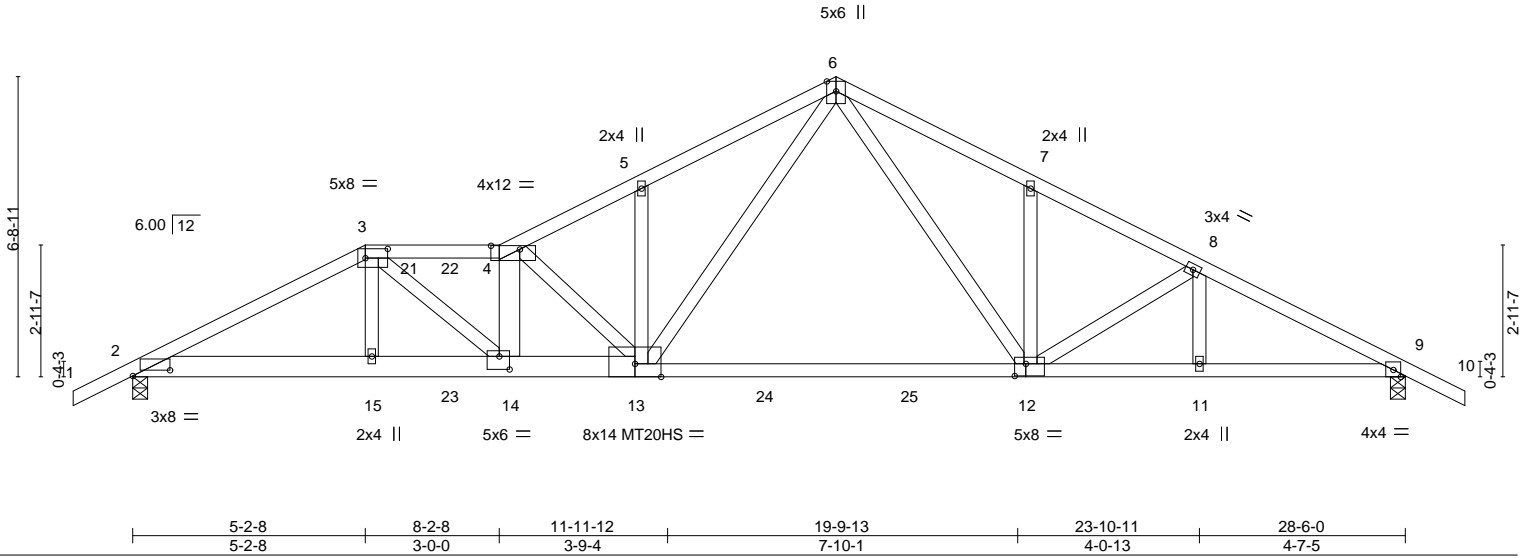


Plate Offsets (X,Y)-- [2:0-10-0,0-1-9], [3:0-6-0,0-2-8], [4:0-7-12,0-1-0], [12:0-3-0,0-3-4], [14:0-2-12,0-3-8]

LOADING (psf)	SPACING-	CSI.	DEFL.	PLATES	GRIP
TCLL 20.0	Plate Grip DOL 1.25	TC 0.70	Vert(LL) -0.30 12-13 >999 360	MT20	244/190
TCDL 10.0	Lumber DOL 1.25	BC 0.49	Vert(CT) -0.56 12-13 >608 240	MT20HS	187/143
BCLL 0.0 *	Rep Stress Incr NO	WB 0.65	Horz(CT) 0.09 9 n/a n/a		
BCDL 10.0	Code FBC2023/TP12014	Matrix-MS	Wind(LL) 0.12 13 >999 240	Weight: 166 lb	FT = 20%

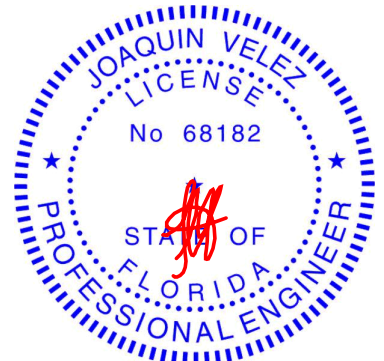
LUMBER-	BRACING-
TOP CHORD 2x4 SP No.2	TOP CHORD Structural wood sheathing directly applied or 2-1-5 oc purlins.
BOT CHORD 2x4 SP M 31 or 2x4 SP SS *Except*	BOT CHORD Rigid ceiling directly applied or 10-0-0 oc bracing.
WEBS 2x4 SP No.2 *Except*	
4-14: 2x6 SP No.2	

REACTIONS. (size) 9=0-4-0, 2=0-4-0
 Max Horz 2=-120(LC 6)
 Max Uplift 9=-106(LC 8), 2=-129(LC 8)
 Max Grav 9=1660(LC 2), 2=2298(LC 2)

FORCES. (lb) - Max. Comp./Max. Ten. - All forces 250 (lb) or less except when shown.
 TOP CHORD 2-3=-4616/188, 3-4=-5479/280, 4-5=-4010/194, 5-6=-4051/255, 6-7=-2832/198,
 7-8=-2831/142, 8-9=-3104/138
 BOT CHORD 2-15=-98/4080, 14-15=-91/4114, 13-14=-192/5451, 12-13=0/2063, 11-12=-60/2738,
 9-11=-60/2738
 WEBS 3-15=0/605, 3-14=-130/1747, 4-14=-622/229, 4-13=-2502/166, 5-13=-270/97,
 6-13=-124/2644, 6-12=-40/847, 7-12=-253/92, 8-12=-341/61

- NOTES-**
- Unbalanced roof live loads have been considered for this design.
 - Wind: ASCE 7-22; Vult=130mph (3-second gust) Vasd=101mph; TCDL=4.2psf; BCDL=6.0psf; h=15ft; B=45ft; L=29ft; eave=4ft; Cat. II; Exp B; Encl., GCpi=0.18; MWFRS (directional); cantilever left and right exposed; Lumber DOL=1.60 plate grip DOL=1.60
 - Building Designer / Project engineer responsible for verifying applied roof live load shown covers rain loading requirements specific to the use of this truss component.
 - Provide adequate drainage to prevent water ponding.
 - All plates are MT20 plates unless otherwise indicated.
 - This truss has been designed for a 10.0 psf bottom chord live load nonconcurrent with any other live loads.
 - * This truss has been designed for a live load of 20.0psf on the bottom chord in all areas where a rectangle 3-6-0 tall by 2-0-0 wide will fit between the bottom chord and any other members, with BCDL = 10.0psf.
 - Provide mechanical connection (by others) of truss to bearing plate capable of withstanding 100 lb uplift at joint(s) except (jt=lb) 9=106, 2=129.
 - Hanger(s) or other connection device(s) shall be provided sufficient to support concentrated load(s) 230 lb down and 120 lb up at 5-2-8, and 116 lb down and 62 lb up at 7-0-15 on top chord, and 251 lb down at 5-2-8, and 56 lb down at 7-0-15, and 881 lb down and 77 lb up at 8-5-4 on bottom chord. The design/selection of such connection device(s) is the responsibility of others.
 - In the LOAD CASE(S) section, loads applied to the face of the truss are noted as front (F) or back (B).

LOAD CASE(S) Standard



Joaquin Velez PE No.68182
 MiTek Inc. DBA MiTek USA FL Cert 6634
 16023 Swingley Ridge Rd. Chesterfield, MO 63017
 Date:

November 20,2025

Continued on page 2

WARNING - Verify design parameters and READ NOTES ON THIS AND INCLUDED MITEK REFERENCE PAGE MII-7473 rev. 1/2/2023 BEFORE USE.

Design valid for use only with MiTek® connectors. This design is based only upon parameters shown, and is for an individual building component, not a truss system. Before use, the building designer must verify the applicability of design parameters and properly incorporate this design into the overall building design. Bracing indicated is to prevent buckling of individual truss web and/or chord members only. Additional temporary and permanent bracing is always required for stability and to prevent collapse with possible personal injury and property damage. For general guidance regarding the fabrication, storage, delivery, erection and bracing of trusses and truss systems, see **ANSI/TP1 Quality Criteria and DSB-22** available from Truss Plate Institute (www.tpinst.org) and **BCSI Building Component Safety Information** available from the Structural Building Component Association (www.sbcsccomponents.com)

MiTek®
 16023 Swingley Ridge Rd.
 Chesterfield, MO 63017
 314.434.1200 / MiTek-US.com

Job	Truss	Truss Type	Qty	Ply	2265-C-3Car FE	T39255680
6260876	B6	Roof Special Girder	1	1	Job Reference (optional)	

Tibbetts Lumber Co., LLC (Ocala, FL), Ocala, FL - 34472,

8.830 s Sep 3 2025 MiTek Industries, Inc. Thu Nov 20 07:03:07 2025 Page 2
 ID:BVCP0onmzlvFXJ68ELDtZyqlf8-uqSqQnIGHTQvjNbQX?i_ztBlmVjsWibH0CD3QbyHMfo

LOAD CASE(S) Standard

- 1) Dead + Roof Live (balanced): Lumber Increase=1.25, Plate Increase=1.25
- Uniform Loads (plf)
 - Vert: 1-3=-60, 3-4=-60, 4-6=-60, 6-10=-60, 2-16=-20
- Concentrated Loads (lb)
 - Vert: 3=-173(B) 15=-238(B) 14=-844(B) 22=-76(B) 23=-50(B)

WARNING - Verify design parameters and READ NOTES ON THIS AND INCLUDED MITEK REFERENCE PAGE MII-7473 rev. 1/2/2023 BEFORE USE.

Design valid for use only with MiTek® connectors. This design is based only upon parameters shown, and is for an individual building component, not a truss system. Before use, the building designer must verify the applicability of design parameters and properly incorporate this design into the overall building design. Bracing indicated is to prevent buckling of individual truss web and/or chord members only. Additional temporary and permanent bracing is always required for stability and to prevent collapse with possible personal injury and property damage. For general guidance regarding the fabrication, storage, delivery, erection and bracing of trusses and truss systems, see **ANSI/TPI1 Quality Criteria and DSB-22** available from Truss Plate Institute (www.tpinst.org) and **BCSI Building Component Safety Information** available from the Structural Building Component Association (www.sbcsccomponents.com)

MiTek®

16023 Swingley Ridge Rd.
 Chesterfield, MO 63017
 314.434.1200 / MiTek-US.com

Job 6260876	Truss B7	Truss Type Common	Qty 2	Ply 1	2265-C-3Car FE	T39255681
----------------	-------------	----------------------	----------	----------	----------------	-----------

Tibbetts Lumber Co., LLC (Ocala, FL), Ocala, FL - 34472, 8.830 s Sep 3 2025 MiTek Industries, Inc. Thu Nov 20 07:03:08 2025 Page 1

ID:BVCP0onnmzlvFXJ68ELDtZyqlf8-M00Dd7mu2nYmLXAc4iDDW4k0Wv_PFH4RFszdy2yHMfn



Scale = 1:42.1

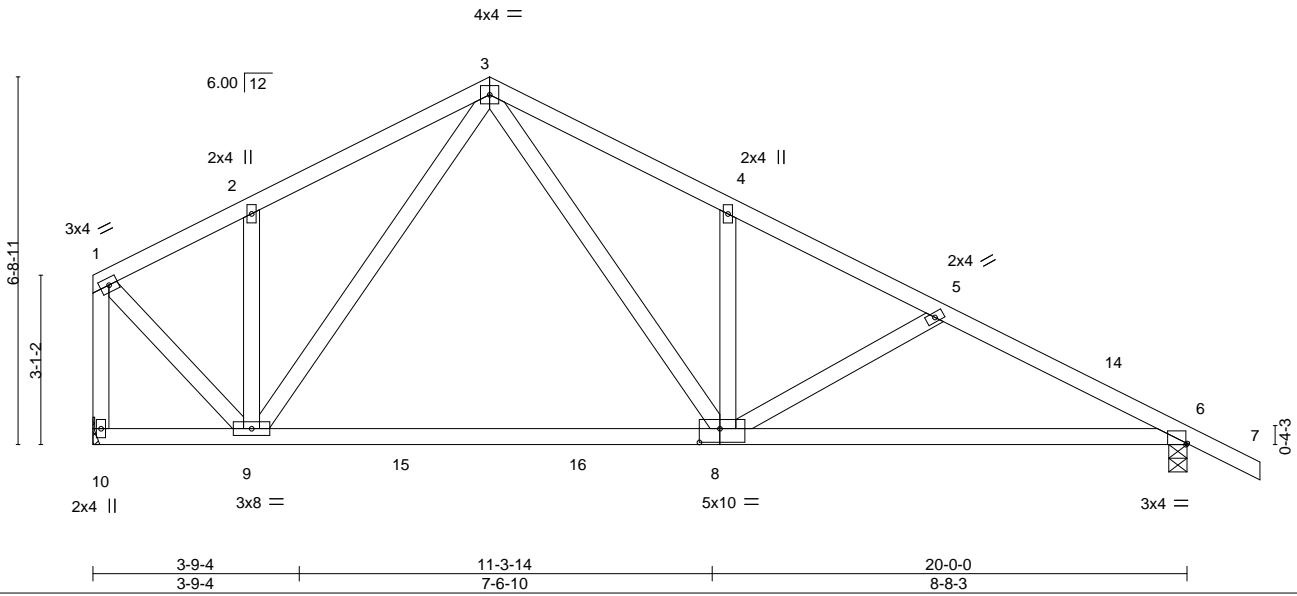


Plate Offsets (X,Y)-- [6:0-0-4,Edge], [8:0-4-8,0-3-0]

LOADING (psf)	SPACING-	CSI.	DEFL.	in (loc)	l/defl	L/d	PLATES	GRIP
TCLL 20.0	Plate Grip DOL 1.25	TC 0.32	Vert(LL) -0.18	8-9	>999	360	MT20	244/190
TCDL 10.0	Lumber DOL 1.25	BC 0.79	Vert(CT) -0.29	8-9	>832	240		
BCLL 0.0 *	Rep Stress Incr YES	WB 0.19	Horz(CT) 0.02	6	n/a	n/a		
BCDL 10.0	Code FBC2023/TPI2014	Matrix-MS	Wind(LL) 0.02	8-13	>999	240		
							Weight: 115 lb	FT = 20%

LUMBER-

TOP CHORD 2x4 SP No.2
 BOT CHORD 2x4 SP No.2
 WEBS 2x4 SP No.2

BRACING-

TOP CHORD Structural wood sheathing directly applied or 4-5-11 oc purlins, except end verticals.
 BOT CHORD Rigid ceiling directly applied or 6-0-0 oc bracing.

REACTIONS.

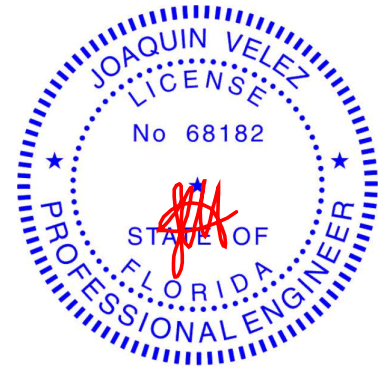
(size) 10=Mechanical, 6=0-4-0
 Max Horz 10=-92(LC 12)
 Max Uplift 10=-38(LC 12), 6=-69(LC 12)
 Max Grav 10=878(LC 19), 6=967(LC 18)

FORCES. (lb) - Max. Comp./Max. Ten. - All forces 250 (lb) or less except when shown.

TOP CHORD 1-2=-645/87, 2-3=-684/160, 3-4=-1268/214, 4-5=-1259/140, 5-6=-1509/175,
 1-10=-909/117
 BOT CHORD 8-9=0/647, 6-8=-97/1328
 WEBS 2-9=-255/134, 3-8=-91/868, 4-8=-254/139, 5-8=-303/91, 1-9=-65/810

NOTES-

- Unbalanced roof live loads have been considered for this design.
- Wind: ASCE 7-22; Vult=130mph (3-second gust) Vasd=101mph; TCDL=4.2psf; BCDL=6.0psf; h=15ft; B=45ft; L=24ft; eave=4ft; Cat. II; Exp B; Encl., GCpi=0.18; MWFRS (directional) and C-C Zone3 0-1-12 to 2-10-13, Zone1 2-10-13 to 7-3-0, Zone2 7-3-0 to 11-7-5, Zone1 11-7-5 to 21-4-0 zone; cantilever left and right exposed ;C-C for members and forces & MWFRS for reactions shown; Lumber DOL=1.60 plate grip DOL=1.60
- Building Designer / Project engineer responsible for verifying applied roof live load shown covers rain loading requirements specific to the use of this truss component.
- This truss has been designed for a 10.0 psf bottom chord live load nonconcurrent with any other live loads.
- * This truss has been designed for a live load of 20.0psf on the bottom chord in all areas where a rectangle 3-6-0 tall by 2-0-0 wide will fit between the bottom chord and any other members, with BCDL = 10.0psf.
- Refer to girder(s) for truss to truss connections.
- Provide mechanical connection (by others) of truss to bearing plate capable of withstanding 100 lb uplift at joint(s) 10, 6.



Joaquin Velez PE No.68182
 MiTek Inc. DBA MiTek USA FL Cert 6634
 16023 Swingley Ridge Rd. Chesterfield, MO 63017
 Date:

November 20,2025

WARNING - Verify design parameters and READ NOTES ON THIS AND INCLUDED MITEK REFERENCE PAGE MII-7473 rev. 1/2/2023 BEFORE USE.

Design valid for use only with MiTek® connectors. This design is based only upon parameters shown, and is for an individual building component, not a truss system. Before use, the building designer must verify the applicability of design parameters and properly incorporate this design into the overall building design. Bracing indicated is to prevent buckling of individual truss web and/or chord members only. Additional temporary and permanent bracing is always required for stability and to prevent collapse with possible personal injury and property damage. For general guidance regarding the fabrication, storage, delivery, erection and bracing of trusses and truss systems, see **ANSI/TPI1 Quality Criteria and DSB-22** available from Truss Plate Institute (www.tpinst.org) and **BCSI Building Component Safety Information** available from the Structural Building Component Association (www.sbcscomponents.com)

MiTek®

16023 Swingley Ridge Rd.
 Chesterfield, MO 63017
 314.434.1200 / MiTek-US.com

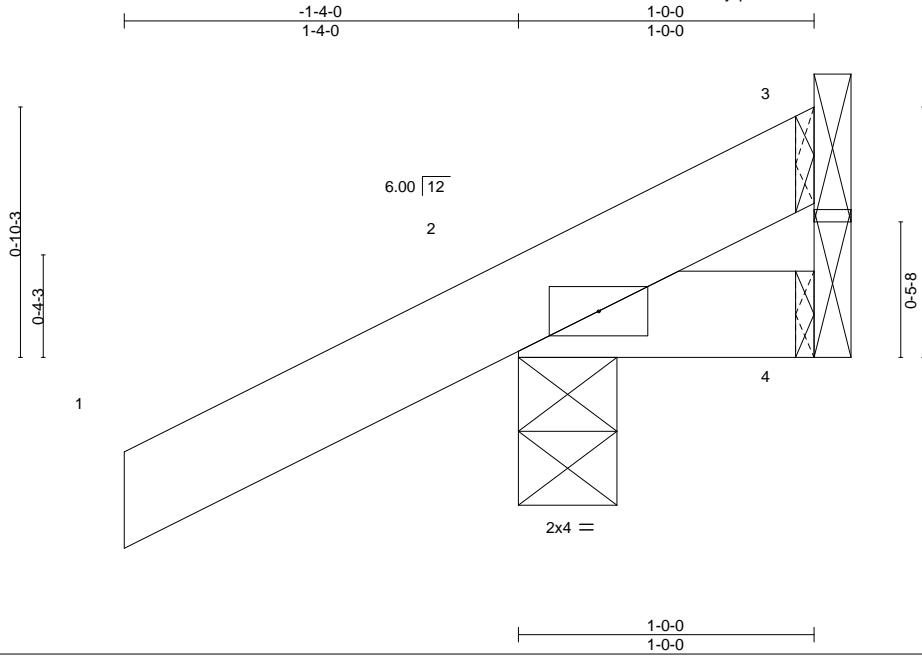
Job 6260876	Truss CJ1	Truss Type Corner Jack	Qty 8	Ply 1	2265-C-3Car FE	T39255682
----------------	--------------	---------------------------	----------	----------	----------------	-----------

Tibbetts Lumber Co., LLC (Ocala, FL),

Ocala, FL - 34472,

8.830 s Sep 3 2025 MiTek Industries, Inc. Thu Nov 20 07:03:08 2025 Page 1
ID:BVCP0onomzlvFXJ68ELDtZyqlf8-M00Dd7mu2nYmLXAc4iDDW4k3evASFJ3RFszdy2yHMfn

Job Reference (optional)



Scale = 1:7.8

LOADING (psf)	SPACING-	CSI.	DEFL.	in	(loc)	l/defl	L/d	PLATES	GRIP
TCLL 20.0	Plate Grip DOL 1.25	TC 0.12	Vert(LL) 0.00	7	>999	360		MT20	244/190
TCDL 10.0	Lumber DOL 1.25	BC 0.02	Vert(CT) 0.00	7	>999	240			
BCLL 0.0 *	Rep Stress Incr YES	WB 0.00	Horz(CT) 0.00	4	n/a	n/a			
BCDL 10.0	Code FBC2023/TPI2014	Matrix-MP	Wind(LL) -0.00	7	>999	240		Weight: 6 lb	FT = 20%

LUMBER-

TOP CHORD 2x4 SP No.2
BOT CHORD 2x4 SP No.2

BRACING-

TOP CHORD Structural wood sheathing directly applied or 1-0-0 oc purlins.
BOT CHORD Rigid ceiling directly applied or 10-0-0 oc bracing.

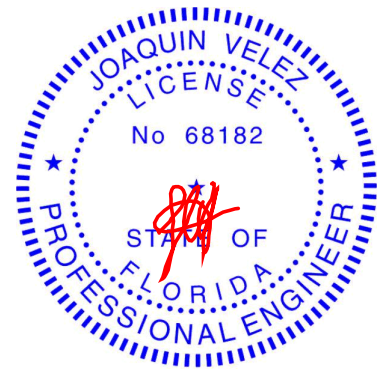
REACTIONS.

(size) 3=Mechanical, 2=0-4-0, 4=Mechanical
Max Horz 2=36(LC 12)
Max Uplift 3=1(LC 1), 2=-68(LC 12), 4=-14(LC 1)
Max Grav 3=8(LC 12), 2=174(LC 1), 4=19(LC 12)

FORCES. (lb) - Max. Comp./Max. Ten. - All forces 250 (lb) or less except when shown.

NOTES-

- 1) Wind: ASCE 7-22; Vult=130mph (3-second gust) Vasd=101mph; TCDL=4.2psf; BCDL=6.0psf; h=15ft; B=45ft; L=24ft; eave=4ft; Cat. II; Exp B; Encl., GCpi=0.18; MWFRS (directional) and C-C Zone3 zone; cantilever left and right exposed ;C-C for members and forces & MWFRS for reactions shown; Lumber DOL=1.60 plate grip DOL=1.60
- 2) Building Designer / Project engineer responsible for verifying applied roof live load shown covers rain loading requirements specific to the use of this truss component.
- 3) This truss has been designed for a 10.0 psf bottom chord live load nonconcurrent with any other live loads.
- 4) * This truss has been designed for a live load of 20.0psf on the bottom chord in all areas where a rectangle 3-6-0 tall by 2-0-0 wide will fit between the bottom chord and any other members.
- 5) Refer to girder(s) for truss to truss connections.
- 6) Provide mechanical connection (by others) of truss to bearing plate capable of withstanding 100 lb uplift at joint(s) 3, 2, 4.



Joaquin Velez PE No.68182
MiTek Inc. DBA MiTek USA FL Cert 6634
16023 Swingley Ridge Rd. Chesterfield, MO 63017
Date:

November 20,2025

WARNING - Verify design parameters and READ NOTES ON THIS AND INCLUDED MITEK REFERENCE PAGE MII-7473 rev. 1/2/2023 BEFORE USE.

Design valid for use only with MiTek® connectors. This design is based only upon parameters shown, and is for an individual building component, not a truss system. Before use, the building designer must verify the applicability of design parameters and properly incorporate this design into the overall building design. Bracing indicated is to prevent buckling of individual truss web and/or chord members only. Additional temporary and permanent bracing is always required for stability and to prevent collapse with possible personal injury and property damage. For general guidance regarding the fabrication, storage, delivery, erection and bracing of trusses and truss systems, see **ANSI/TPI1 Quality Criteria and DSB-22** available from Truss Plate Institute (www.tpinst.org) and **BCSI Building Component Safety Information** available from the Structural Building Component Association (www.sbcsccomponents.com)

MiTek®

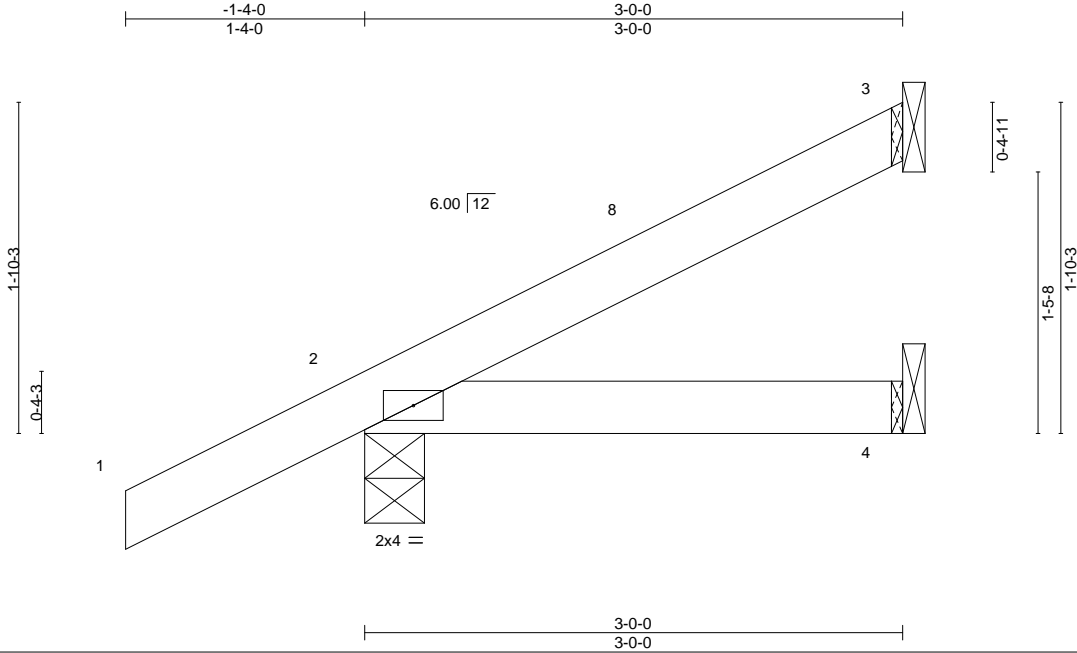
16023 Swingley Ridge Rd.
Chesterfield, MO 63017
314.434.1200 / MiTek-US.com

Job 6260876	Truss CJ3	Truss Type Corner Jack	Qty 7	Ply 1	2265-C-3Car FE	T39255683
----------------	--------------	---------------------------	----------	----------	----------------	-----------

Tibbetts Lumber Co., LLC (Ocala, FL),

Ocala, FL - 34472,

8.830 s Sep 3 2025 MiTek Industries, Inc. Thu Nov 20 07:03:08 2025 Page 1
ID:BVCP0onozmlvFXJ68ELDtZyqf8-M00Dd7mu2nYmLXAc4iDDW4k3ev9fJ3RFszdy2yHMfn



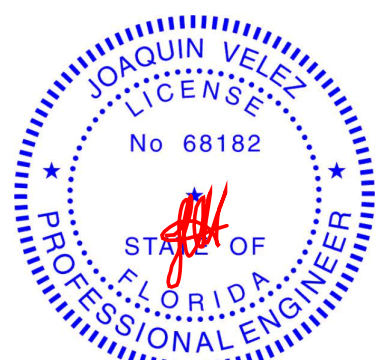
LOADING (psf)	SPACING-	CSI.	DEFL.	in (loc)	l/defl	L/d	PLATES	GRIP
TCLL 20.0	2-0-0 Plate Grip DOL 1.25	TC 0.12	Vert(LL) -0.00	4-7	>999	360	MT20	244/190
TCDL 10.0	Lumber DOL 1.25	BC 0.07	Vert(CT) -0.01	4-7	>999	240		
BCLL 0.0 *	Rep Stress Incr YES	WB 0.00	Horz(CT) 0.00	3	n/a	n/a		
BCDL 10.0	Code FBC2023/TPI2014	Matrix-MP	Wind(LL) 0.00	7	>999	240		
							Weight: 12 lb	FT = 20%

LUMBER-	BRACING-
TOP CHORD 2x4 SP No.2	TOP CHORD Structural wood sheathing directly applied or 3-0-0 oc purlins.
BOT CHORD 2x4 SP No.2	BOT CHORD Rigid ceiling directly applied or 10-0-0 oc bracing.

REACTIONS. (size) 3=Mechanical, 2=0-4-0, 4=Mechanical
 Max Horz 2=59(LC 12)
 Max Uplift 3=-17(LC 12), 2=-44(LC 12)
 Max Grav 3=67(LC 1), 2=216(LC 1), 4=51(LC 3)


FORCES. (lb) - Max. Comp./Max. Ten. - All forces 250 (lb) or less except when shown.

- NOTES-**
- 1) Wind: ASCE 7-22; Vult=130mph (3-second gust) Vasd=101mph; TCDL=4.2psf; BCDL=6.0psf; h=15ft; B=45ft; L=24ft; eave=4ft; Cat. II; Exp B; Encl., GCpi=0.18; MWFRS (directional) and C-C Zone3 -1-4-0 to 1-8-0, Zone1 1-8-0 to 2-11-4 zone; cantilever left and right exposed ;C-C for members and forces & MWFRS for reactions shown; Lumber DOL=1.60 plate grip DOL=1.60
 - 2) Building Designer / Project engineer responsible for verifying applied roof live load shown covers rain loading requirements specific to the use of this truss component.
 - 3) This truss has been designed for a 10.0 psf bottom chord live load nonconcurrent with any other live loads.
 - 4) * This truss has been designed for a live load of 20.0psf on the bottom chord in all areas where a rectangle 3-6-0 tall by 2-0-0 wide will fit between the bottom chord and any other members.
 - 5) Refer to girder(s) for truss to truss connections.
 - 6) Provide mechanical connection (by others) of truss to bearing plate capable of withstanding 100 lb uplift at joint(s) 3, 2.



Joaquin Velez PE No.68182
 MiTek Inc. DBA MiTek USA FL Cert 6634
 16023 Swingley Ridge Rd. Chesterfield, MO 63017
 Date:

November 20,2025

<p>WARNING - Verify design parameters and READ NOTES ON THIS AND INCLUDED MITEK REFERENCE PAGE MII-7473 rev. 1/2/2023 BEFORE USE.</p> <p>Design valid for use only with MiTek® connectors. This design is based only upon parameters shown, and is for an individual building component, not a truss system. Before use, the building designer must verify the applicability of design parameters and properly incorporate this design into the overall building design. Bracing indicated is to prevent buckling of individual truss web and/or chord members only. Additional temporary and permanent bracing is always required for stability and to prevent collapse with possible personal injury and property damage. For general guidance regarding the fabrication, storage, delivery, erection and bracing of trusses and truss systems, see ANSI/TPI1 Quality Criteria and DSB-22 available from Truss Plate Institute (www.tpinst.org) and BCSI Building Component Safety Information available from the Structural Building Component Association (www.sbcsccomponents.com)</p>	 <p>16023 Swingley Ridge Rd. Chesterfield, MO 63017 314.434.1200 / MiTek-US.com</p>
--	--

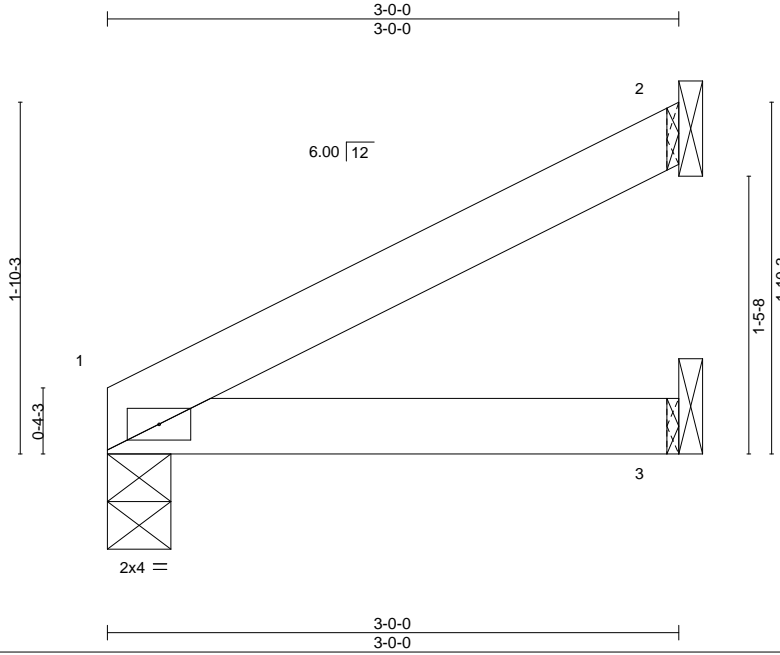
Job 6260876	Truss CJ3A	Truss Type Corner Jack	Qty 1	Ply 1	2265-C-3Car FE	T39255684
----------------	---------------	---------------------------	----------	----------	----------------	-----------

Tibbetts Lumber Co., LLC (Ocala, FL),

Ocala, FL - 34472,

8.830 s Sep 3 2025 MiTek Industries, Inc. Thu Nov 20 07:03:09 2025 Page 1

ID:BVCP0onmzlvFXJ68ELDtZyqlf8-qCZbrTnWp5gdzhlpeQkS3IHecJVZ_mlaUWiAUUyHMfm



Scale: 1"=1'

LOADING (psf)	SPACING-	CSI.	DEFL.	in	(loc)	l/defl	L/d	PLATES	GRIP
TCLL 20.0	Plate Grip DOL 1.25	TC 0.10	Vert(LL) -0.00	3-6	>999	360		MT20	244/190
TCDL 10.0	Lumber DOL 1.25	BC 0.10	Vert(CT) -0.01	3-6	>999	240			
BCLL 0.0 *	Rep Stress Incr YES	WB 0.00	Horz(CT) 0.00	1	n/a	n/a			
BCDL 10.0	Code FBC2023/TPI2014	Matrix-MP	Wind(LL) 0.00	3-6	>999	240		Weight: 10 lb	FT = 20%

LUMBER-

TOP CHORD 2x4 SP No.2
BOT CHORD 2x4 SP No.2

BRACING-

TOP CHORD Structural wood sheathing directly applied or 3-0-0 oc purlins.
BOT CHORD Rigid ceiling directly applied or 10-0-0 oc bracing.

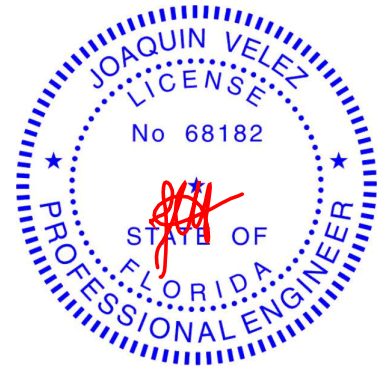
REACTIONS.

(size) 1=0-4-0, 2=Mechanical, 3=Mechanical
Max Horz 1=35(LC 12)
Max Uplift 2=-22(LC 12)
Max Grav 1=118(LC 1), 2=76(LC 1), 3=54(LC 3)

FORCES. (lb) - Max. Comp./Max. Ten. - All forces 250 (lb) or less except when shown.

NOTES-

- 1) Wind: ASCE 7-22; Vult=130mph (3-second gust) Vasd=101mph; TCDL=4.2psf; BCDL=6.0psf; h=15ft; B=45ft; L=24ft; eave=4ft; Cat. II; Exp B; Encl., GCpi=0.18; MWFRS (directional) and C-C Zone3 zone; cantilever left and right exposed ;C-C for members and forces & MWFRS for reactions shown; Lumber DOL=1.60 plate grip DOL=1.60
- 2) Building Designer / Project engineer responsible for verifying applied roof live load shown covers rain loading requirements specific to the use of this truss component.
- 3) This truss has been designed for a 10.0 psf bottom chord live load nonconcurrent with any other live loads.
- 4) * This truss has been designed for a live load of 20.0psf on the bottom chord in all areas where a rectangle 3-6-0 tall by 2-0-0 wide will fit between the bottom chord and any other members.
- 5) Refer to girder(s) for truss to truss connections.
- 6) Provide mechanical connection (by others) of truss to bearing plate capable of withstanding 100 lb uplift at joint(s) 2.



Joaquin Velez PE No.68182
MiTek Inc. DBA MiTek USA FL Cert 6634
16023 Swingley Ridge Rd. Chesterfield, MO 63017
Date:

November 20,2025

WARNING - Verify design parameters and READ NOTES ON THIS AND INCLUDED MITEK REFERENCE PAGE MII-7473 rev. 1/2/2023 BEFORE USE.

Design valid for use only with MiTek® connectors. This design is based only upon parameters shown, and is for an individual building component, not a truss system. Before use, the building designer must verify the applicability of design parameters and properly incorporate this design into the overall building design. Bracing indicated is to prevent buckling of individual truss web and/or chord members only. Additional temporary and permanent bracing is always required for stability and to prevent collapse with possible personal injury and property damage. For general guidance regarding the fabrication, storage, delivery, erection and bracing of trusses and truss systems, see **ANSI/TPI1 Quality Criteria and DSB-22** available from Truss Plate Institute (www.tpinst.org) and **BCSI Building Component Safety Information** available from the Structural Building Component Association (www.sbcsccomponents.com)

MiTek®

16023 Swingley Ridge Rd.
Chesterfield, MO 63017
314.434.1200 / MiTek-US.com

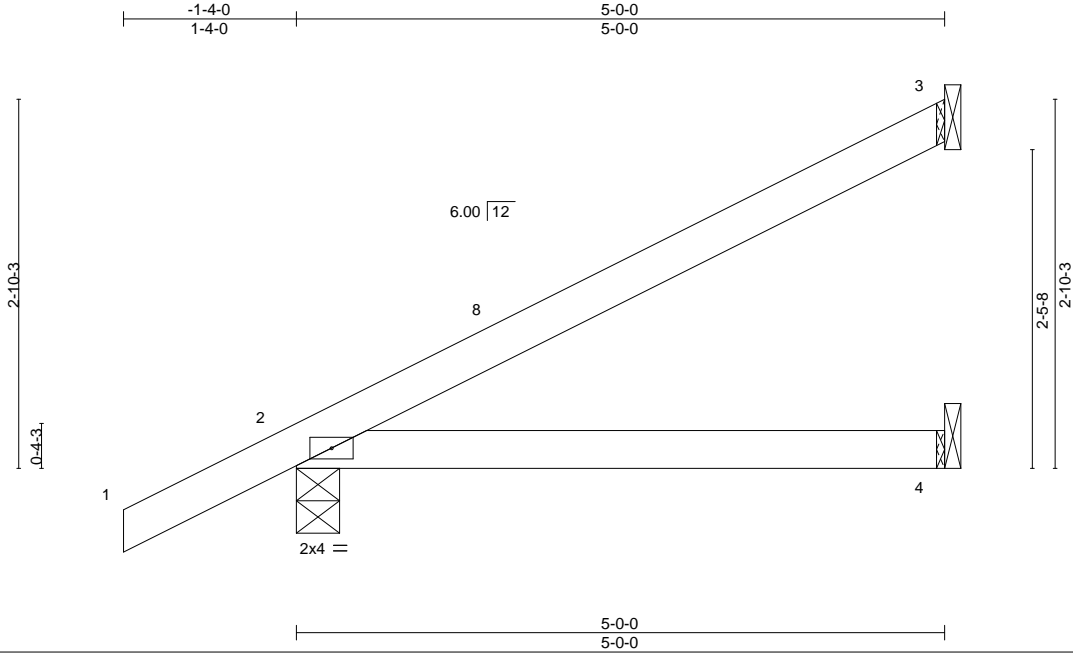
Job 6260876	Truss CJ5	Truss Type Corner Jack	Qty 7	Ply 1	2265-C-3Car FE	T39255685
----------------	--------------	---------------------------	----------	----------	----------------	-----------

Tibbetts Lumber Co., LLC (Ocala, FL),

Ocala, FL - 34472,

8.830 s Sep 3 2025 MiTek Industries, Inc. Thu Nov 20 07:03:09 2025 Page 1

ID:BVCP0onmzlvFXJ68ELDtZyqlf8-qCZbrTnWp5gdzhlpeQkS3IHBMJTB_mlaUWiAUUyHMfm



Scale = 1:17.8

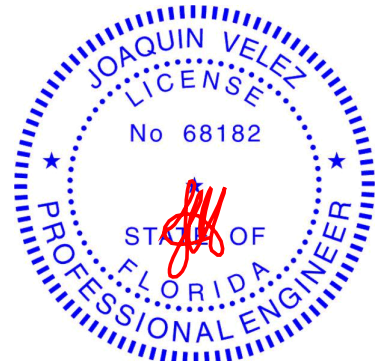
LOADING (psf)	SPACING-	CSI.	DEFL.	PLATES	GRIP
TCLL 20.0	2-0-0	TC 0.31	in (loc) l/defl L/d	MT20	244/190
TCDL 10.0	Plate Grip DOL 1.25	BC 0.25	Vert(LL) -0.02 4-7 >999 360		
BCLL 0.0 *	Lumber DOL 1.25	WB 0.00	Vert(CT) -0.06 4-7 >999 240		
BCDL 10.0	Rep Stress Incr YES	Matrix-MP	Horz(CT) 0.00 2 n/a n/a		
	Code FBC2023/TPI2014		Wind(LL) 0.03 4-7 >999 240	Weight: 18 lb	FT = 20%

LUMBER-	BRACING-
TOP CHORD 2x4 SP No.2	TOP CHORD Structural wood sheathing directly applied or 5-0-0 oc purlins.
BOT CHORD 2x4 SP No.2	BOT CHORD Rigid ceiling directly applied or 10-0-0 oc bracing.

REACTIONS. (size) 3=Mechanical, 2=0-4-0, 4=Mechanical
 Max Horz 2=83(LC 12)
 Max Uplift 3=-37(LC 12), 2=-37(LC 12)
 Max Grav 3=125(LC 1), 2=288(LC 1), 4=90(LC 3)

FORCES. (lb) - Max. Comp./Max. Ten. - All forces 250 (lb) or less except when shown.

- NOTES-**
- 1) Wind: ASCE 7-22; Vult=130mph (3-second gust) Vasd=101mph; TCDL=4.2psf; BCDL=6.0psf; h=15ft; B=45ft; L=24ft; eave=4ft; Cat. II; Exp B; Encl., GCpi=0.18; MWFRS (directional) and C-C Zone3 -1-4-0 to 1-8-0, Zone1 1-8-0 to 4-11-4 zone; cantilever left and right exposed ;C-C for members and forces & MWFRS for reactions shown; Lumber DOL=1.60 plate grip DOL=1.60
 - 2) Building Designer / Project engineer responsible for verifying applied roof live load shown covers rain loading requirements specific to the use of this truss component.
 - 3) This truss has been designed for a 10.0 psf bottom chord live load nonconcurrent with any other live loads.
 - 4) * This truss has been designed for a live load of 20.0psf on the bottom chord in all areas where a rectangle 3-6-0 tall by 2-0-0 wide will fit between the bottom chord and any other members.
 - 5) Refer to girder(s) for truss to truss connections.
 - 6) Provide mechanical connection (by others) of truss to bearing plate capable of withstanding 100 lb uplift at joint(s) 3, 2.



Joaquin Velez PE No.68182
 MiTek Inc. DBA MiTek USA FL Cert 6634
 16023 Swingley Ridge Rd. Chesterfield, MO 63017
 Date:

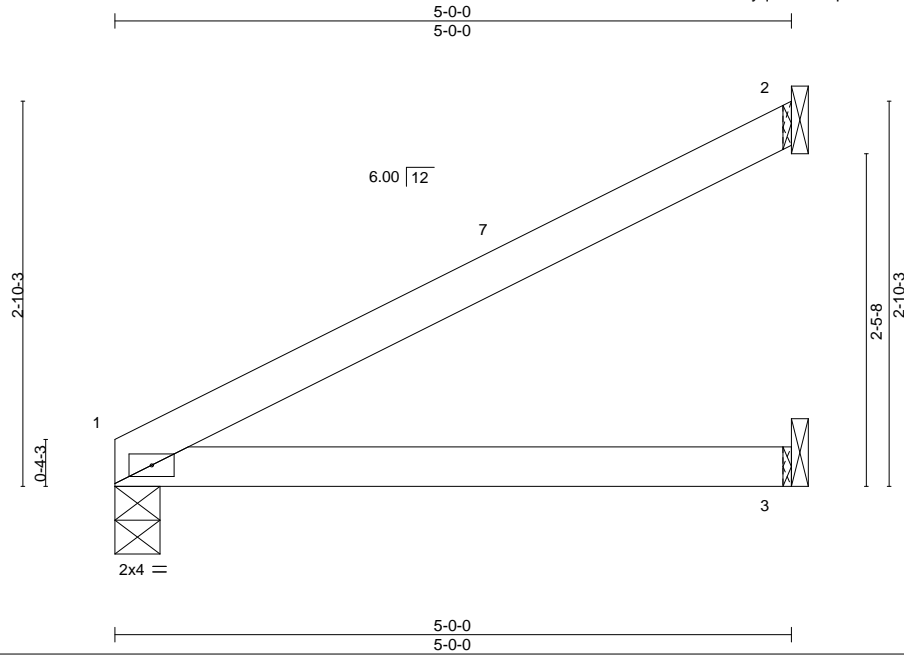
November 20,2025

Job 6260876	Truss CJ5A	Truss Type Corner Jack	Qty 1	Ply 1	2265-C-3Car FE	T39255686
----------------	---------------	---------------------------	----------	----------	----------------	-----------

Tibbetts Lumber Co., LLC (Ocala, FL),

Ocala, FL - 34472,

8.830 s Sep 3 2025 MiTek Industries, Inc. Thu Nov 20 07:03:10 2025 Page 1
ID:BVCP0onomzlvFXJ68ELDtZyqIf8-IP7z2po8aOoUaqK?C7FhbVpLioo_jDYkjASK0wyHMfI



Scale = 1:17.0

LOADING (psf)	SPACING-	CSI.	DEFL.	in	(loc)	l/defl	L/d	PLATES	GRIP
TCLL 20.0	2-0-0 Plate Grip DOL 1.25	TC 0.34	Vert(LL)	-0.03	3-6	>999	360	MT20	244/190
TCDL 10.0	Lumber DOL 1.25	BC 0.28	Vert(CT)	-0.07	3-6	>905	240		
BCLL 0.0 *	Rep Stress Incr YES	WB 0.00	Horz(CT)	0.00	1	n/a	n/a		
BCDL 10.0	Code FBC2023/TPI2014	Matrix-MP	Wind(LL)	0.04	3-6	>999	240		
								Weight: 16 lb	FT = 20%

LUMBER-

TOP CHORD 2x4 SP No.2
BOT CHORD 2x4 SP No.2

BRACING-

TOP CHORD Structural wood sheathing directly applied or 5-0-0 oc purlins.
BOT CHORD Rigid ceiling directly applied or 10-0-0 oc bracing.

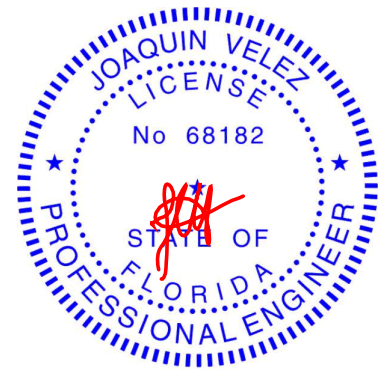
REACTIONS.

(size) 1=0-4-0, 2=Mechanical, 3=Mechanical
Max Horz 1=59(LC 12)
Max Uplift 2=-40(LC 12)
Max Grav 1=198(LC 1), 2=130(LC 1), 3=92(LC 3)

FORCES. (lb) - Max. Comp./Max. Ten. - All forces 250 (lb) or less except when shown.

NOTES-

- 1) Wind: ASCE 7-22; Vult=130mph (3-second gust) Vasd=101mph; TCDL=4.2psf; BCDL=6.0psf; h=15ft; B=45ft; L=24ft; eave=4ft; Cat. II; Exp B; Encl., GCpi=0.18; MWFRS (directional) and C-C Zone3 0-0-0 to 3-0-0, Zone1 3-0-0 to 4-11-4 zone; cantilever left and right exposed ;C-C for members and forces & MWFRS for reactions shown; Lumber DOL=1.60 plate grip DOL=1.60
- 2) Building Designer / Project engineer responsible for verifying applied roof live load shown covers rain loading requirements specific to the use of this truss component.
- 3) This truss has been designed for a 10.0 psf bottom chord live load nonconcurrent with any other live loads.
- 4) * This truss has been designed for a live load of 20.0psf on the bottom chord in all areas where a rectangle 3-6-0 tall by 2-0-0 wide will fit between the bottom chord and any other members.
- 5) Refer to girder(s) for truss to truss connections.
- 6) Provide mechanical connection (by others) of truss to bearing plate capable of withstanding 100 lb uplift at joint(s) 2.



Joaquin Velez PE No.68182
MiTek Inc. DBA MiTek USA FL Cert 6634
16023 Swingley Ridge Rd. Chesterfield, MO 63017
Date:

November 20,2025

WARNING - Verify design parameters and READ NOTES ON THIS AND INCLUDED MITEK REFERENCE PAGE MII-7473 rev. 1/2/2023 BEFORE USE.

Design valid for use only with MiTek® connectors. This design is based only upon parameters shown, and is for an individual building component, not a truss system. Before use, the building designer must verify the applicability of design parameters and properly incorporate this design into the overall building design. Bracing indicated is to prevent buckling of individual truss web and/or chord members only. Additional temporary and permanent bracing is always required for stability and to prevent collapse with possible personal injury and property damage. For general guidance regarding the fabrication, storage, delivery, erection and bracing of trusses and truss systems, see **ANSI/TPI1 Quality Criteria and DSB-22** available from Truss Plate Institute (www.tpinst.org) and **BCSI Building Component Safety Information** available from the Structural Building Component Association (www.sbcsccomponents.com)

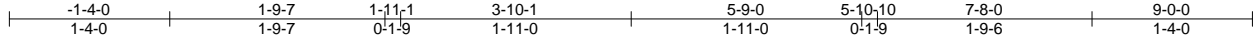
MiTek®

16023 Swingley Ridge Rd.
Chesterfield, MO 63017
314.434.1200 / MiTek-US.com

Job 6260876	Truss E01X	Truss Type GABLE	Qty 1	Ply 1	2265-C-3Car FE	T39255687
----------------	---------------	---------------------	----------	----------	----------------	-----------

Tibbetts Lumber Co., LLC (Ocala, FL), Ocala, FL - 34472, 8.830 s Sep 3 2025 MiTek Industries, Inc. Thu Nov 20 07:03:10 2025 Page 1

ID:BVCP0onmzlvFXJ68ELDzYqIf8-IP7z2po8aOoUaqK?C7FhbVpOaiqyjD0kjASK0wyHMff



Scale = 1:19.2

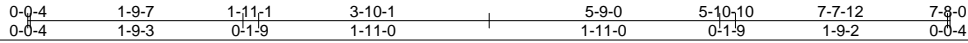
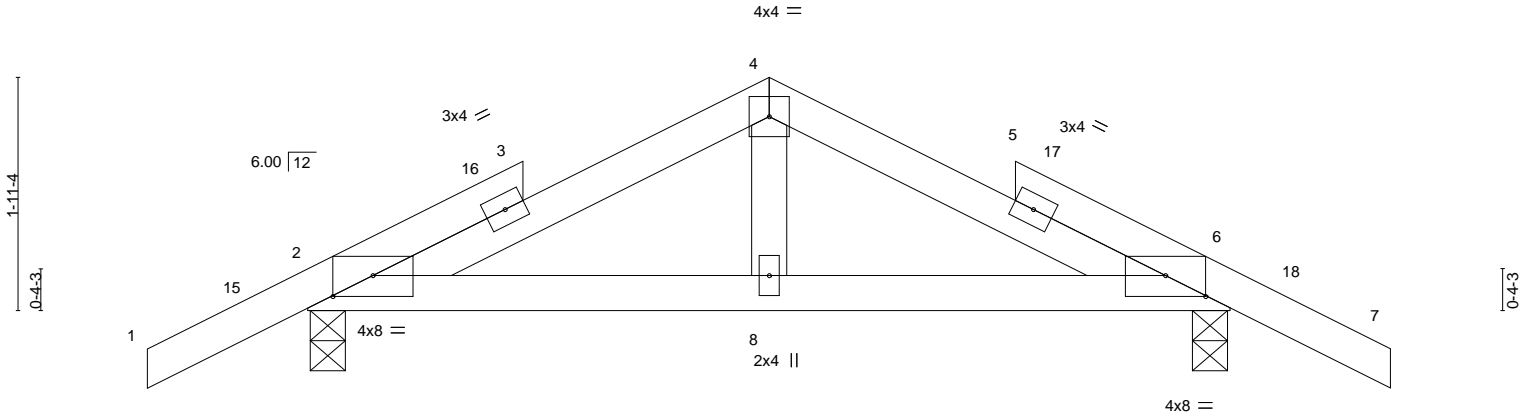


Plate Offsets (X,Y)-- [2:0-4-0,0-2-1], [6:0-4-0,0-2-1]

LOADING (psf)	SPACING-	CSI.	DEFL.	in (loc)	l/defl	L/d	PLATES	GRIP
TCLL 20.0	Plate Grip DOL 1.25	TC 0.18	Vert(LL) -0.01	8	>999	360	MT20	244/190
TCDL 10.0	Lumber DOL 1.25	BC 0.15	Vert(CT) -0.01	8-11	>999	240		
BCLL 0.0 *	Rep Stress Incr YES	WB 0.03	Horz(CT) 0.00	6	n/a	n/a		
BCDL 10.0	Code FBC2023/TPI2014	Matrix-MS	Wind(LL) 0.01	8-14	>999	240		
							Weight: 35 lb	FT = 20%

LUMBER-
 TOP CHORD 2x4 SP No.2
 BOT CHORD 2x4 SP No.2
 WEBS 2x4 SP No.2

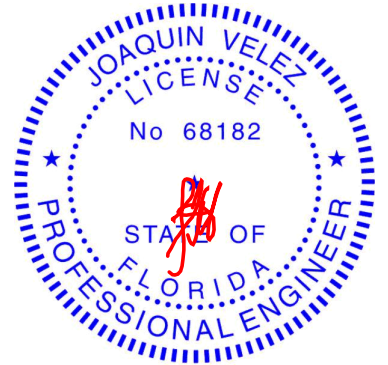
BRACING-
 TOP CHORD Structural wood sheathing directly applied or 6-0-0 oc purlins.
 BOT CHORD Rigid ceiling directly applied or 10-0-0 oc bracing.

REACTIONS. (size) 2=0-3-8, 6=0-3-8
 Max Horz 2=37(LC 11)
 Max Uplift 2=-55(LC 12), 6=-55(LC 12)
 Max Grav 2=383(LC 1), 6=383(LC 1)

FORCES. (lb) - Max. Comp./Max. Ten. - All forces 250 (lb) or less except when shown.
 TOP CHORD 2-4=-374/127, 4-6=-374/127
 BOT CHORD 2-8=-17/333, 6-8=-17/333

NOTES-

- Unbalanced roof live loads have been considered for this design.
- Wind: ASCE 7-22; Vult=130mph (3-second gust) Vasd=101mph; TCDL=4.2psf; BCDL=6.0psf; h=15ft; B=45ft; L=24ft; eave=4ft; Cat. II; Exp B; Encl., GCpi=0.18; MWFRS (directional) and C-C Zone3 -1-4-0 to 1-8-0, Zone1 1-8-0 to 3-10-1, Zone2 3-10-1 to 8-0-15, Zone1 8-0-15 to 9-0-0 zone; cantilever left and right exposed ;C-C for members and forces & MWFRS for reactions shown; Lumber DOL=1.60 plate grip DOL=1.60
- Truss designed for wind loads in the plane of the truss only. For studs exposed to wind (normal to the face), see Standard Industry Gable End Details as applicable, or consult qualified building designer as per ANSI/TPI 1.
- Building Designer / Project engineer responsible for verifying applied roof live load shown covers rain loading requirements specific to the use of this truss component.
- Gable studs spaced at 2-0-0 oc.
- This truss has been designed for a 10.0 psf bottom chord live load nonconcurrent with any other live loads.
- * This truss has been designed for a live load of 20.0psf on the bottom chord in all areas where a rectangle 3-6-0 tall by 2-0-0 wide will fit between the bottom chord and any other members.
- Provide mechanical connection (by others) of truss to bearing plate capable of withstanding 100 lb uplift at joint(s) 2, 6.



Joaquin Velez PE No.68182
 MiTek Inc. DBA MiTek USA FL Cert 6634
 16023 Swingley Ridge Rd. Chesterfield, MO 63017
 Date:

November 20,2025

WARNING - Verify design parameters and READ NOTES ON THIS AND INCLUDED MITEK REFERENCE PAGE MII-7473 rev. 1/2/2023 BEFORE USE.

Design valid for use only with MiTek® connectors. This design is based only upon parameters shown, and is for an individual building component, not a truss system. Before use, the building designer must verify the applicability of design parameters and properly incorporate this design into the overall building design. Bracing indicated is to prevent buckling of individual truss web and/or chord members only. Additional temporary and permanent bracing is always required for stability and to prevent collapse with possible personal injury and property damage. For general guidance regarding the fabrication, storage, delivery, erection and bracing of trusses and truss systems, see **ANSI/TPI1 Quality Criteria and DSB-22** available from Truss Plate Institute (www.tpinst.org) and **BCSI Building Component Safety Information** available from the Structural Building Component Association (www.sbcsccomponents.com)

MiTek®

16023 Swingley Ridge Rd.
 Chesterfield, MO 63017
 314.434.1200 / MiTek-US.com

Job 6260876	Truss E02X	Truss Type GABLE	Qty 1	Ply 1	2265-C-3Car FE	T39255689
----------------	---------------	---------------------	----------	----------	----------------	-----------

Tibbetts Lumber Co., LLC (Ocala, FL), Ocala, FL - 34472,

8.830 s Sep 3 2025 MiTek Industries, Inc. Thu Nov 20 07:03:11 2025 Page 1
ID:BVCP0onmzlvFXJ68ELDtZyqlf8-mbhLG9omKiwLC_uBmmw8jMTY65mScMxqBHZNyHMfk

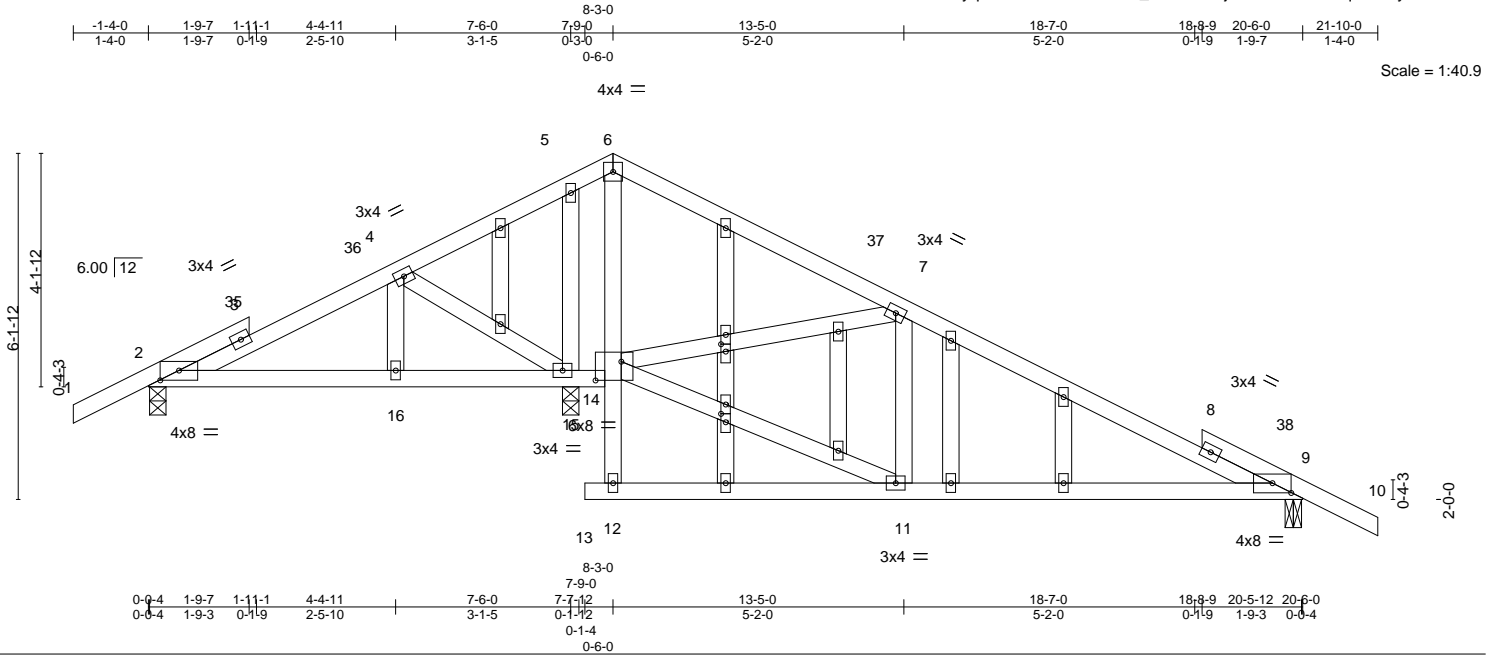


Plate Offsets (X,Y)-- [2:0-4-0-0-2-1], [9:0-4-0-0-2-1], [14:0-5-8-0-4-0], [20:0-1-9-0-1-0], [22:0-1-13,0-1-0]

LOADING (psf)	SPACING-	CSI.	DEFL.	PLATES	GRIP
TCLL 20.0	Plate Grip DOL 1.25	TC 0.52	in (loc) l/defl L/d	MT20	244/190
TCDL 10.0	Lumber DOL 1.25	BC 0.50	Vert(LL) -0.07 11-34 >999 360		
BCLL 0.0 *	Rep Stress Incr YES	WB 0.28	Vert(CT) -0.16 11-34 >944 240		
BCDL 10.0	Code FBC2023/TP12014	Matrix-MS	Horz(CT) 0.01 9 n/a n/a		
			Wind(LL) 0.09 11-34 >999 240	Weight: 133 lb	FT = 20%

LUMBER-
TOP CHORD 2x4 SP No.2
BOT CHORD 2x4 SP No.2
WEBS 2x4 SP No.2
OTHERS 2x4 SP No.2

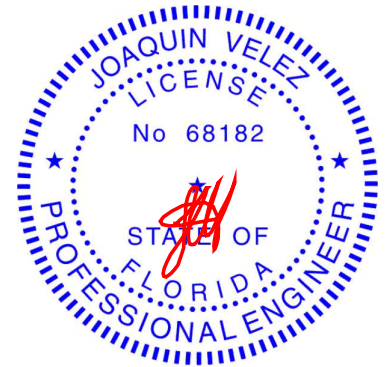
BRACING-
TOP CHORD Structural wood sheathing directly applied or 6-0-0 oc purlins.
BOT CHORD Rigid ceiling directly applied or 6-0-0 oc bracing.

REACTIONS. (size) 2=0-3-8, 9=0-3-8, 15=0-3-8
Max Horz 2=93(LC 11)
Max Uplift 2=-94(LC 12), 9=-168(LC 12), 15=-234(LC 12)
Max Grav 2=314(LC 23), 9=571(LC 24), 15=951(LC 1)

FORCES. (lb) - Max. Comp./Max. Ten. - All forces 250 (lb) or less except when shown.
TOP CHORD 7-9=608/228
BOT CHORD 9-11=-143/529
WEBS 11-14=-155/574, 7-14=-591/310, 5-15=-453/135, 4-15=-260/133

NOTES-

- Unbalanced roof live loads have been considered for this design.
- Wind: ASCE 7-22; Vult=130mph (3-second gust) Vasd=101mph; TC DL=4.2psf; BCDL=6.0psf; h=15ft; B=45ft; L=24ft; eave=4ft; Cat. II; Exp B; Encl., GCpi=0.18; MWFRS (directional) and C-C Zone3 -1-4-0 to 1-8-0, Zone1 1-8-0 to 8-3-0, Zone2 8-3-0 to 12-5-15, Zone1 12-5-15 to 21-10-0 zone; cantilever left and right exposed; porch left and right exposed; C-C for members and forces & MWFRS for reactions shown; Lumber DOL=1.60 plate grip DOL=1.60
- Truss designed for wind loads in the plane of the truss only. For studs exposed to wind (normal to the face), see Standard Industry Gable End Details as applicable, or consult qualified building designer as per ANSI/TP1 1.
- Building Designer / Project engineer responsible for verifying applied roof live load shown covers rain loading requirements specific to the use of this truss component.
- All plates are 2x4 MT20 unless otherwise indicated.
- Gable studs spaced at 2-0-0 oc.
- This truss has been designed for a 10.0 psf bottom chord live load nonconcurrent with any other live loads.
- * This truss has been designed for a live load of 20.0psf on the bottom chord in all areas where a rectangle 3-6-0 tall by 2-0-0 wide will fit between the bottom chord and any other members.
- Provide mechanical connection (by others) of truss to bearing plate capable of withstanding 100 lb uplift at joint(s) 2 except (jt=lb) 9=168, 15=234.



Joaquin Velez PE No.68182
MiTek Inc. DBA MiTek USA FL Cert 6634
16023 Swingley Ridge Rd. Chesterfield, MO 63017
Date:

November 20,2025

WARNING - Verify design parameters and READ NOTES ON THIS AND INCLUDED MITEK REFERENCE PAGE MII-7473 rev. 1/2/2023 BEFORE USE.

Design valid for use only with MiTek® connectors. This design is based only upon parameters shown, and is for an individual building component, not a truss system. Before use, the building designer must verify the applicability of design parameters and properly incorporate this design into the overall building design. Bracing indicated is to prevent buckling of individual truss web and/or chord members only. Additional temporary and permanent bracing is always required for stability and to prevent collapse with possible personal injury and property damage. For general guidance regarding the fabrication, storage, delivery, erection and bracing of trusses and truss systems, see **ANSI/TP1 Quality Criteria and DSB-22** available from Truss Plate Institute (www.tpinst.org) and **BCSI Building Component Safety Information** available from the Structural Building Component Association (www.sbcsccomponents.com)

MiTek®

16023 Swingley Ridge Rd.
Chesterfield, MO 63017
314.434.1200 / MiTek-US.com

Job 6260876	Truss E03	Truss Type MONOPITCH	Qty 3	Ply 1	2265-C-3Car FE	T39255690
----------------	--------------	-------------------------	----------	----------	----------------	-----------

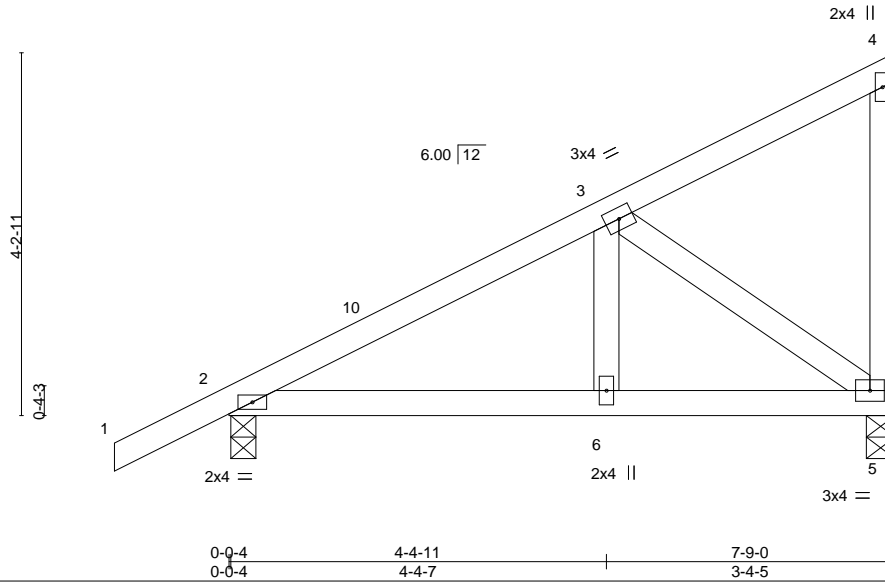
Tibbetts Lumber Co., LLC (Ocala, FL),

Ocala, FL - 34472,

8.830 s Sep 3 2025 MiTek Industries, Inc. Thu Nov 20 07:03:12 2025 Page 1
ID:BVCP0onomzlvFXJ68ELDtZyqlf8-EnFjTUP502Cq8TJNYH9gwukwV7B6a1ATxq5pyHMfj



Scale = 1:26.8



LOADING (psf)	SPACING-	CSI.	DEFL.	PLATES	GRIP
TCLL 20.0	2-0-0	TC 0.16	in (loc) l/defl L/d	MT20	244/190
TCDL 10.0	Plate Grip DOL 1.25	BC 0.17	Vert(LL) -0.01 6-9 >999 360		
BCLL 0.0 *	Lumber DOL 1.25	WB 0.09	Vert(CT) -0.02 6-9 >999 240		
BCDL 10.0	Rep Stress Incr YES	Matrix-MS	Horz(CT) 0.00 5 n/a n/a		
	Code FBC2023/TPI2014		Wind(LL) 0.01 6-9 >999 240	Weight: 40 lb	FT = 20%

LUMBER-

TOP CHORD 2x4 SP No.2
BOT CHORD 2x4 SP No.2
WEBS 2x4 SP No.2

BRACING-

TOP CHORD Structural wood sheathing directly applied or 6-0-0 oc purlins, except end verticals.
BOT CHORD Rigid ceiling directly applied or 10-0-0 oc bracing.

REACTIONS.

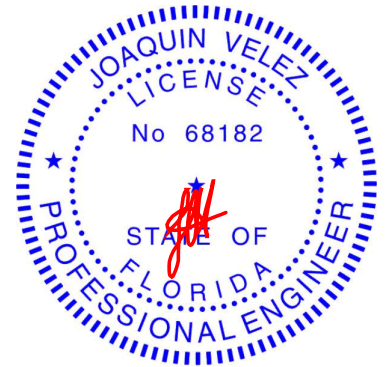
(size) 2=0-3-8, 5=0-4-0
Max Horz 2=115(LC 12)
Max Uplift 2=-97(LC 12), 5=-98(LC 12)
Max Grav 2=391(LC 1), 5=297(LC 1)

FORCES. (lb) - Max. Comp./Max. Ten. - All forces 250 (lb) or less except when shown.

TOP CHORD 2-3=-376/117
BOT CHORD 2-6=-252/297, 5-6=-252/297
WEBS 3-5=-357/300

NOTES-

- Unbalanced roof live loads have been considered for this design.
- Wind: ASCE 7-22; Vult=130mph (3-second gust) Vasd=101mph; TCDL=4.2psf; BCDL=6.0psf; h=15ft; B=45ft; L=24ft; eave=4ft; Cat. II; Exp B; Encl. GCpi=0.18; MWFRS (directional) and C-C Zone3 -1-4-0 to 1-8-0, Zone1 1-8-0 to 7-7-4 zone; cantilever left exposed; porch left exposed; C-C for members and forces & MWFRS for reactions shown; Lumber DOL=1.60 plate grip DOL=1.60
- Building Designer / Project engineer responsible for verifying applied roof live load shown covers rain loading requirements specific to the use of this truss component.
- This truss has been designed for a 10.0 psf bottom chord live load nonconcurrent with any other live loads.
- * This truss has been designed for a live load of 20.0psf on the bottom chord in all areas where a rectangle 3-6-0 tall by 2-0-0 wide will fit between the bottom chord and any other members.
- Provide mechanical connection (by others) of truss to bearing plate capable of withstanding 100 lb uplift at joint(s) 2, 5.



Joaquin Velez PE No.68182
MiTek Inc. DBA MiTek USA FL Cert 6634
16023 Swingley Ridge Rd. Chesterfield, MO 63017
Date:

November 20,2025

WARNING - Verify design parameters and READ NOTES ON THIS AND INCLUDED MITEK REFERENCE PAGE MII-7473 rev. 1/2/2023 BEFORE USE.

Design valid for use only with MiTek® connectors. This design is based only upon parameters shown, and is for an individual building component, not a truss system. Before use, the building designer must verify the applicability of design parameters and properly incorporate this design into the overall building design. Bracing indicated is to prevent buckling of individual truss web and/or chord members only. Additional temporary and permanent bracing is always required for stability and to prevent collapse with possible personal injury and property damage. For general guidance regarding the fabrication, storage, delivery, erection and bracing of trusses and truss systems, see **ANSI/TPI1 Quality Criteria and DSB-22** available from Truss Plate Institute (www.tpinst.org) and **BCSI Building Component Safety Information** available from the Structural Building Component Association (www.sbcsccomponents.com)

MiTek®

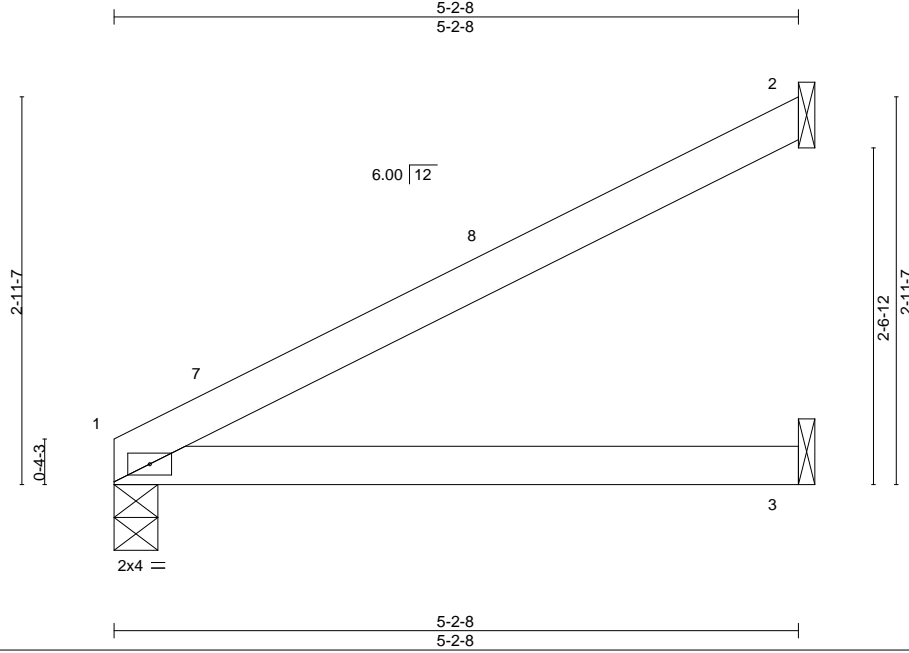
16023 Swingley Ridge Rd.
Chesterfield, MO 63017
314.434.1200 / MiTek-US.com

Job 6260876	Truss EJ2	Truss Type Jack-Open	Qty 1	Ply 1	2265-C-3Car FE	T39255691
----------------	--------------	-------------------------	----------	----------	----------------	-----------

Tibbetts Lumber Co., LLC (Ocala, FL),

Ocala, FL - 34472,

8.830 s Sep 3 2025 MiTek Industries, Inc. Thu Nov 20 07:03:12 2025 Page 1
ID:BVCP0onmzlvFXJ68ELDtZyqlf8-EnFJTUP502Cq8TNJYH9gwuhhWT4B721ATxq5pyHMfj



LOADING (psf)	SPACING-	CSI.	DEFL.	in	(loc)	l/defl	L/d	PLATES	GRIP
TCLL 20.0	2-0-0 Plate Grip DOL 1.25	TC 0.37	Vert(LL) -0.03	3-6	>999	360		MT20	244/190
TCDL 10.0	Lumber DOL 1.25	BC 0.30	Vert(CT) -0.08	3-6	>802	240			
BCLL 0.0 *	Rep Stress Incr YES	WB 0.00	Horz(CT) 0.00	1	n/a	n/a			
BCDL 10.0	Code FBC2023/TPI2014	Matrix-MP	Wind(LL) 0.04	3-6	>999	240		Weight: 17 lb	FT = 20%

LUMBER-

TOP CHORD 2x4 SP No.2
BOT CHORD 2x4 SP No.2

BRACING-

TOP CHORD Structural wood sheathing directly applied or 5-2-8 oc purlins.
BOT CHORD Rigid ceiling directly applied or 10-0-0 oc bracing.

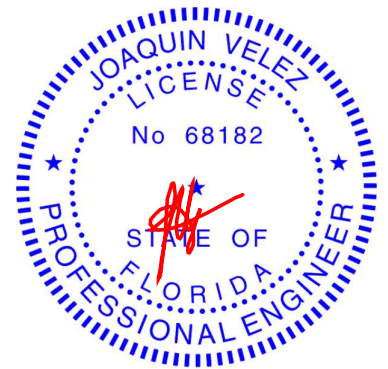
REACTIONS.

(size) 1=0-4-0, 2=Mechanical, 3=Mechanical
Max Horz 1=61(LC 12)
Max Uplift 2=-41(LC 12)
Max Grav 1=206(LC 1), 2=136(LC 1), 3=96(LC 3)

FORCES. (lb) - Max. Comp./Max. Ten. - All forces 250 (lb) or less except when shown.

NOTES-

- 1) Wind: ASCE 7-22; Vult=130mph (3-second gust) Vasd=101mph; TCDL=4.2psf; BCDL=6.0psf; h=15ft; B=45ft; L=24ft; eave=4ft; Cat. II; Exp B; Encl., GCpi=0.18; MWFRS (directional) and C-C Zone3 0-0-0 to 3-0-0, Zone1 3-0-0 to 5-1-12 zone; cantilever left and right exposed ;C-C for members and forces & MWFRS for reactions shown; Lumber DOL=1.60 plate grip DOL=1.60
- 2) Building Designer / Project engineer responsible for verifying applied roof live load shown covers rain loading requirements specific to the use of this truss component.
- 3) This truss has been designed for a 10.0 psf bottom chord live load nonconcurrent with any other live loads.
- 4) * This truss has been designed for a live load of 20.0psf on the bottom chord in all areas where a rectangle 3-6-0 tall by 2-0-0 wide will fit between the bottom chord and any other members.
- 5) Refer to girder(s) for truss to truss connections.
- 6) Provide mechanical connection (by others) of truss to bearing plate capable of withstanding 100 lb uplift at joint(s) 2.



Joaquin Velez PE No.68182
MiTek Inc. DBA MiTek USA FL Cert 6634
16023 Swingley Ridge Rd. Chesterfield, MO 63017
Date:

November 20,2025

WARNING - Verify design parameters and READ NOTES ON THIS AND INCLUDED MITEK REFERENCE PAGE MII-7473 rev. 1/2/2023 BEFORE USE.

Design valid for use only with MiTek® connectors. This design is based only upon parameters shown, and is for an individual building component, not a truss system. Before use, the building designer must verify the applicability of design parameters and properly incorporate this design into the overall building design. Bracing indicated is to prevent buckling of individual truss web and/or chord members only. Additional temporary and permanent bracing is always required for stability and to prevent collapse with possible personal injury and property damage. For general guidance regarding the fabrication, storage, delivery, erection and bracing of trusses and truss systems, see **ANSI/TPI1 Quality Criteria and DSB-22** available from Truss Plate Institute (www.tpinst.org) and **BCSI Building Component Safety Information** available from the Structural Building Component Association (www.sbcsccomponents.com)

MiTek®

16023 Swingley Ridge Rd.
Chesterfield, MO 63017
314.434.1200 / MiTek-US.com

Job 6260876	Truss EJ7	Truss Type Jack-Open	Qty 34	Ply 1	2265-C-3Car FE	T39255692
----------------	--------------	-------------------------	-----------	----------	----------------	-----------

Tibbetts Lumber Co., LLC (Ocala, FL),

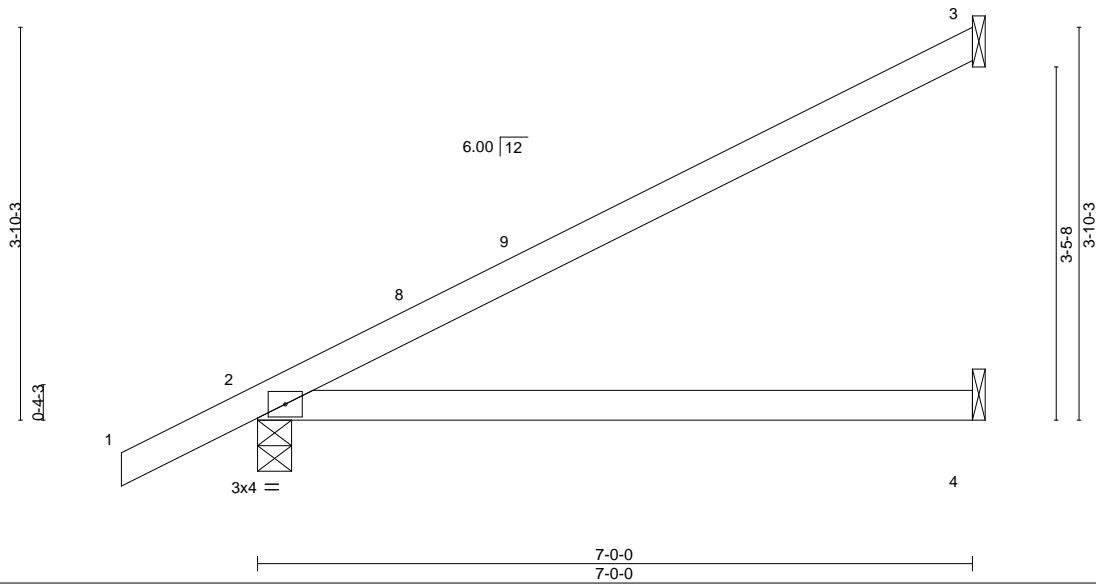
Ocala, FL - 34472,

8.830 s Sep 3 2025 MiTek Industries, Inc. Thu Nov 20 07:03:12 2025 Page 1

ID:BVCP0onozlvFXJ68ELDtZyqlf8-EnFJTUpP502Cq8TNJYH9gwucfWPNB721ATxq5pyHMfj



Scale = 1:22.6



LOADING (psf)	SPACING-	CSI.	DEFL.	in	(loc)	l/defl	L/d	PLATES	GRIP
TCLL 20.0	Plate Grip DOL 1.25	TC 0.69	Vert(LL) -0.09	4-7	>886	360		MT20	244/190
TCDL 10.0	Lumber DOL 1.25	BC 0.54	Vert(CT) -0.23	4-7	>361	240			
BCLL 0.0 *	Rep Stress Incr YES	WB 0.00	Horz(CT) 0.00	2	n/a	n/a			
BCDL 10.0	Code FBC2023/TPI2014	Matrix-MS	Wind(LL) 0.10	4-7	>856	240		Weight: 24 lb	FT = 20%

LUMBER-

TOP CHORD 2x4 SP No.2
BOT CHORD 2x4 SP No.2

BRACING-

TOP CHORD Structural wood sheathing directly applied or 6-0-0 oc purlins.
BOT CHORD Rigid ceiling directly applied or 10-0-0 oc bracing.

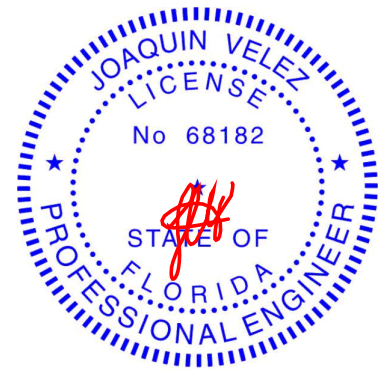
REACTIONS.

(size) 3=Mechanical, 2=0-4-0, 4=Mechanical
Max Horz 2=107(LC 12)
Max Uplift 3=55(LC 12), 2=33(LC 12)
Max Grav 3=181(LC 1), 2=365(LC 1), 4=129(LC 3)

FORCES. (lb) - Max. Comp./Max. Ten. - All forces 250 (lb) or less except when shown.

NOTES-

- 1) Wind: ASCE 7-22; Vult=130mph (3-second gust) Vasd=101mph; TCDL=4.2psf; BCDL=6.0psf; h=15ft; B=45ft; L=24ft; eave=4ft; Cat. II; Exp B; Encl., GCpi=0.18; MWFRS (directional) and C-C Zone3 -1-4-0 to 1-8-0, Zone1 1-8-0 to 6-11-4 zone; cantilever left and right exposed ;C-C for members and forces & MWFRS for reactions shown; Lumber DOL=1.60 plate grip DOL=1.60
- 2) Building Designer / Project engineer responsible for verifying applied roof live load shown covers rain loading requirements specific to the use of this truss component.
- 3) This truss has been designed for a 10.0 psf bottom chord live load nonconcurrent with any other live loads.
- 4) * This truss has been designed for a live load of 20.0psf on the bottom chord in all areas where a rectangle 3-6-0 tall by 2-0-0 wide will fit between the bottom chord and any other members.
- 5) Refer to girder(s) for truss to truss connections.
- 6) Provide mechanical connection (by others) of truss to bearing plate capable of withstanding 100 lb uplift at joint(s) 3, 2.



Joaquin Velez PE No.68182
MiTek Inc. DBA MiTek USA FL Cert 6634
16023 Swingley Ridge Rd. Chesterfield, MO 63017
Date:

November 20,2025

WARNING - Verify design parameters and READ NOTES ON THIS AND INCLUDED MITEK REFERENCE PAGE MII-7473 rev. 1/2/2023 BEFORE USE.

Design valid for use only with MiTek® connectors. This design is based only upon parameters shown, and is for an individual building component, not a truss system. Before use, the building designer must verify the applicability of design parameters and properly incorporate this design into the overall building design. Bracing indicated is to prevent buckling of individual truss web and/or chord members only. Additional temporary and permanent bracing is always required for stability and to prevent collapse with possible personal injury and property damage. For general guidance regarding the fabrication, storage, delivery, erection and bracing of trusses and truss systems, see **ANSI/TPI1 Quality Criteria and DSB-22** available from Truss Plate Institute (www.tpinst.org) and **BCSI Building Component Safety Information** available from the Structural Building Component Association (www.sbcsccomponents.com)

MiTek®

16023 Swingley Ridge Rd.
Chesterfield, MO 63017
314.434.1200 / MiTek-US.com

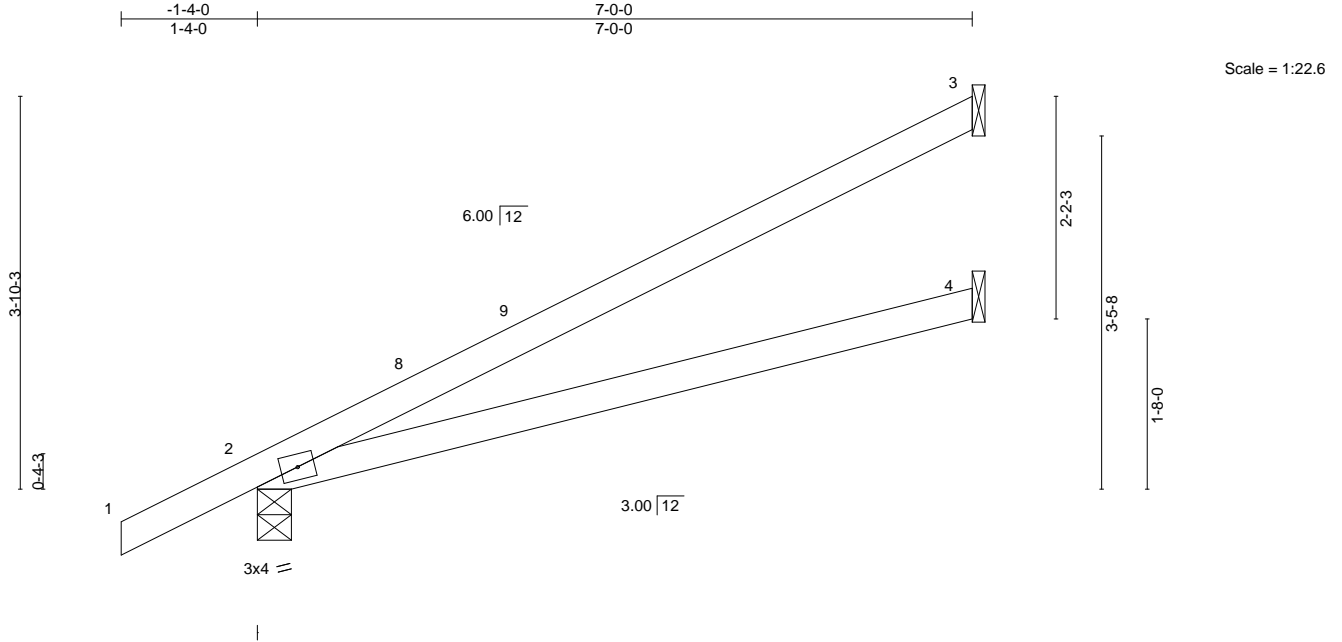
Job 6260876	Truss EJ7V	Truss Type JACK-OPEN	Qty 3	Ply 1	2265-C-3Car FE	T39255693
----------------	---------------	-------------------------	----------	----------	----------------	-----------

Tibbetts Lumber Co., LLC (Ocala, FL),

Ocala, FL - 34472,

8.830 s Sep 3 2025 MiTek Industries, Inc. Thu Nov 20 07:03:13 2025 Page 1

ID:BVCP0onmzlvFXJ68ELDiZyqlf8-i_p6hqq1sJA3Rl2atFoOD8RndwlmwAP7gOdFyHMfi



LOADING (psf)	SPACING-	CSI.	DEFL.	PLATES	GRIP
TCLL 20.0	2-0-0	TC 0.68	in (loc) l/defl L/d	MT20	244/190
TCDL 10.0	Plate Grip DOL 1.25	BC 0.53	Vert(LL) -0.10 4-7 >815 360		
BCLL 0.0 *	Lumber DOL 1.25	WB 0.00	Vert(CT) -0.24 4-7 >345 240		
BCDL 10.0	Rep Stress Incr YES	Matrix-MS	Horz(CT) 0.01 2 n/a n/a		
	Code FBC2023/TPI2014		Wind(LL) 0.11 4-7 >765 240	Weight: 25 lb	FT = 20%

LUMBER-

TOP CHORD 2x4 SP No.2
BOT CHORD 2x4 SP No.2

BRACING-

TOP CHORD Structural wood sheathing directly applied or 6-0-0 oc purlins.
BOT CHORD Rigid ceiling directly applied or 10-0-0 oc bracing.

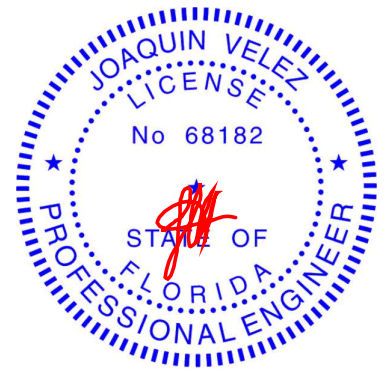
REACTIONS.

(size) 3=Mechanical, 2=0-4-0, 4=Mechanical
Max Horz 2=107(LC 12)
Max Uplift 3=-54(LC 12), 2=-32(LC 12)
Max Grav 3=180(LC 1), 2=365(LC 1), 4=127(LC 3)

FORCES. (lb) - Max. Comp./Max. Ten. - All forces 250 (lb) or less except when shown.

NOTES-

- 1) Wind: ASCE 7-22; Vult=130mph (3-second gust) Vasd=101mph; TCDL=4.2psf; BCDL=6.0psf; h=15ft; B=45ft; L=24ft; eave=4ft; Cat. II; Exp B; Encl., GCpi=0.18; MWFRS (directional) and C-C Zone3 -1-4-0 to 1-8-0, Zone1 1-8-0 to 6-11-4 zone; cantilever left and right exposed ;C-C for members and forces & MWFRS for reactions shown; Lumber DOL=1.60 plate grip DOL=1.60
- 2) Building Designer / Project engineer responsible for verifying applied roof live load shown covers rain loading requirements specific to the use of this truss component.
- 3) This truss has been designed for a 10.0 psf bottom chord live load nonconcurrent with any other live loads.
- 4) * This truss has been designed for a live load of 20.0psf on the bottom chord in all areas where a rectangle 3-6-0 tall by 2-0-0 wide will fit between the bottom chord and any other members.
- 5) Refer to girder(s) for truss to truss connections.
- 6) Bearing at joint(s) 2 considers parallel to grain value using ANSI/TPI 1 angle to grain formula. Building designer should verify capacity of bearing surface.
- 7) Provide mechanical connection (by others) of truss to bearing plate capable of withstanding 100 lb uplift at joint(s) 3, 2.



Joaquin Velez PE No.68182
MiTek Inc. DBA MiTek USA FL Cert 6634
16023 Swingley Ridge Rd. Chesterfield, MO 63017
Date:

November 20,2025

WARNING - Verify design parameters and READ NOTES ON THIS AND INCLUDED MITEK REFERENCE PAGE MII-7473 rev. 1/2/2023 BEFORE USE.

Design valid for use only with MiTek® connectors. This design is based only upon parameters shown, and is for an individual building component, not a truss system. Before use, the building designer must verify the applicability of design parameters and properly incorporate this design into the overall building design. Bracing indicated is to prevent buckling of individual truss web and/or chord members only. Additional temporary and permanent bracing is always required for stability and to prevent collapse with possible personal injury and property damage. For general guidance regarding the fabrication, storage, delivery, erection and bracing of trusses and truss systems, see **ANSI/TPI1 Quality Criteria and DSB-22** available from Truss Plate Institute (www.tpinst.org) and **BCSI Building Component Safety Information** available from the Structural Building Component Association (www.sbcsccomponents.com)

MiTek®

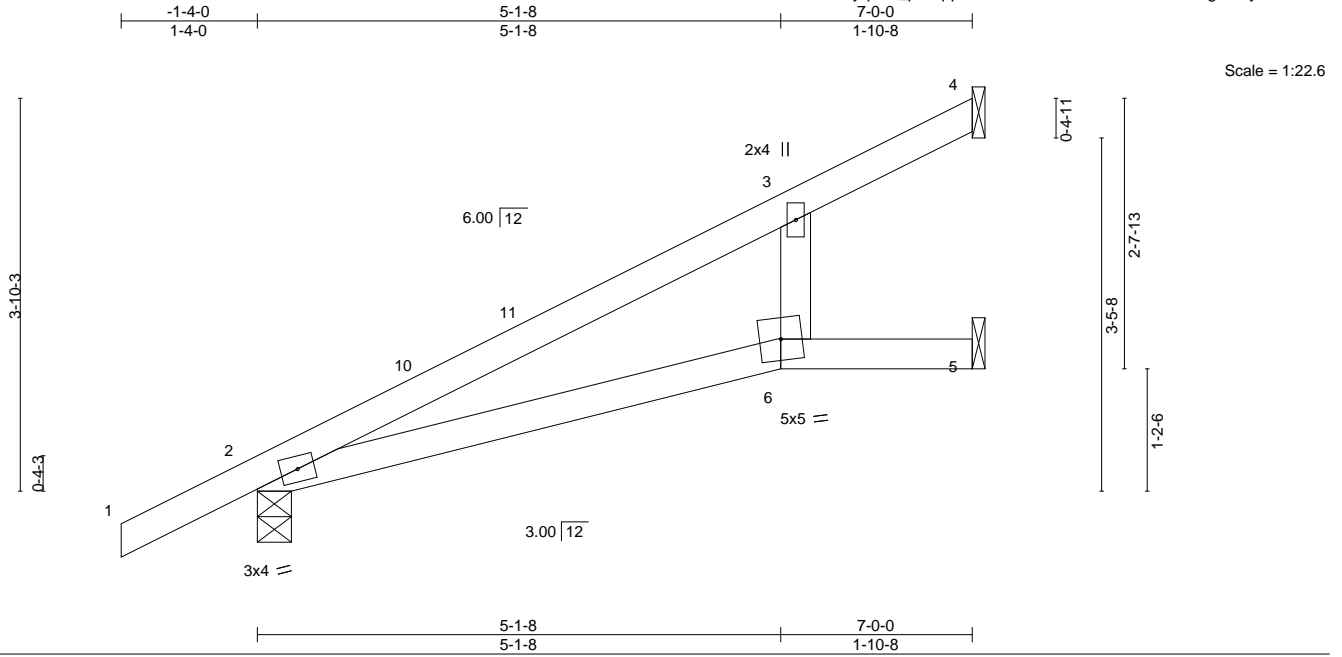
16023 Swingley Ridge Rd.
Chesterfield, MO 63017
314.434.1200 / MiTek-US.com

Job 6260876	Truss EJ7W	Truss Type JACK-OPEN	Qty 1	Ply 1	2265-C-3Car FE	T39255694
----------------	---------------	-------------------------	----------	----------	----------------	-----------

Tibbetts Lumber Co., LLC (Ocala, FL),

Ocala, FL - 34472,

8.830 s Sep 3 2025 MiTek Industries, Inc. Thu Nov 20 07:03:13 2025 Page 1
ID:BVCP0onmzlvFXJ68ELDtZyqlf8-i_p6hqq1sJA3RI2atFoOD8Rn0wliwa0AP7gOdFyHMfi



LOADING (psf)	SPACING-	CSI.	DEFL.	PLATES	GRIP
TCLL 20.0	2-0-0	TC 0.65	in (loc) l/defl L/d	MT20	244/190
TCDL 10.0	Plate Grip DOL 1.25	BC 0.53	Vert(LL) -0.13 6-9 >618 360		
BCLL 0.0 *	Lumber DOL 1.25	WB 0.02	Vert(CT) -0.28 6-9 >302 240		
BCDL 10.0	Rep Stress Incr YES	Matrix-MS	Horz(CT) 0.06 5 n/a n/a		
	Code FBC2023/TPI2014		Wind(LL) 0.14 6-9 >581 240	Weight: 27 lb	FT = 20%

LUMBER-

TOP CHORD 2x4 SP No.2
BOT CHORD 2x4 SP No.2
WEBS 2x4 SP No.2

BRACING-

TOP CHORD Structural wood sheathing directly applied or 6-0-0 oc purlins.
BOT CHORD Rigid ceiling directly applied or 10-0-0 oc bracing.

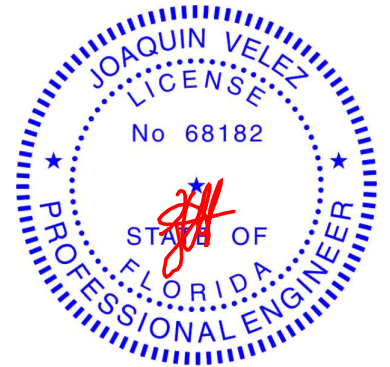
REACTIONS.

(size) 4=Mechanical, 5=Mechanical, 2=0-4-0
Max Horz 2=107(LC 12)
Max Uplift 4=-26(LC 12), 5=-4(LC 12), 2=-32(LC 12)
Max Grav 4=179(LC 1), 5=91(LC 1), 2=365(LC 1)

FORCES. (lb) - Max. Comp./Max. Ten. - All forces 250 (lb) or less except when shown.

NOTES-

- Wind: ASCE 7-22; Vult=130mph (3-second gust) Vasd=101mph; TCDL=4.2psf; BCDL=6.0psf; h=15ft; B=45ft; L=24ft; eave=4ft; Cat. II; Exp B; Encl., GCpi=0.18; MWFRS (directional) and C-C Zone3 -1-4-0 to 1-8-0, Zone1 1-8-0 to 6-11-4 zone; cantilever left and right exposed ;C-C for members and forces & MWFRS for reactions shown; Lumber DOL=1.60 plate grip DOL=1.60
- Building Designer / Project engineer responsible for verifying applied roof live load shown covers rain loading requirements specific to the use of this truss component.
- This truss has been designed for a 10.0 psf bottom chord live load nonconcurrent with any other live loads.
- * This truss has been designed for a live load of 20.0psf on the bottom chord in all areas where a rectangle 3-6-0 tall by 2-0-0 wide will fit between the bottom chord and any other members.
- Refer to girder(s) for truss to truss connections.
- Bearing at joint(s) 2 considers parallel to grain value using ANSI/TPI 1 angle to grain formula. Building designer should verify capacity of bearing surface.
- Provide mechanical connection (by others) of truss to bearing plate capable of withstanding 100 lb uplift at joint(s) 4, 5, 2.



Joaquin Velez PE No.68182
MiTek Inc. DBA MiTek USA FL Cert 6634
16023 Swingley Ridge Rd. Chesterfield, MO 63017
Date:

November 20,2025

WARNING - Verify design parameters and READ NOTES ON THIS AND INCLUDED MITEK REFERENCE PAGE MII-7473 rev. 1/2/2023 BEFORE USE.

Design valid for use only with MiTek® connectors. This design is based only upon parameters shown, and is for an individual building component, not a truss system. Before use, the building designer must verify the applicability of design parameters and properly incorporate this design into the overall building design. Bracing indicated is to prevent buckling of individual truss web and/or chord members only. Additional temporary and permanent bracing is always required for stability and to prevent collapse with possible personal injury and property damage. For general guidance regarding the fabrication, storage, delivery, erection and bracing of trusses and truss systems, see **ANSI/TPI1 Quality Criteria and DSB-22** available from Truss Plate Institute (www.tpinst.org) and **BCSI Building Component Safety Information** available from the Structural Building Component Association (www.sbcsccomponents.com)

MiTek®

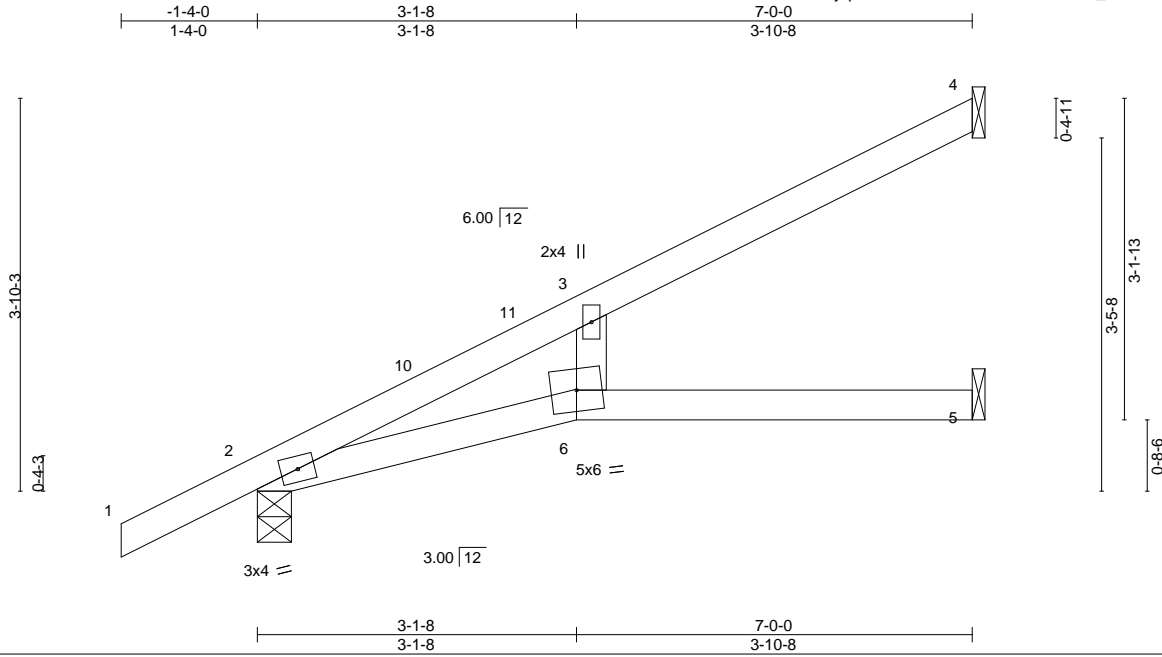
16023 Swingley Ridge Rd.
Chesterfield, MO 63017
314.434.1200 / MiTek-US.com

Job 6260876	Truss EJ7X	Truss Type JACK-OPEN	Qty 1	Ply 1	2265-C-3Car FE	T39255695
----------------	---------------	-------------------------	----------	----------	----------------	-----------

Tibbetts Lumber Co., LLC (Ocala, FL),

Ocala, FL - 34472,

8.830 s Sep 3 2025 MiTek Industries, Inc. Thu Nov 20 07:03:14 2025 Page 1
ID:BVCP0nomzlvFXJ68ELDtZyqlf8-AANUuArfdldw3SdmRzKdmL_xrK67f1EJdnQx9yHMfh



Scale = 1:22.6

LOADING (psf)	SPACING- 2-0-0	CSI.	DEFL. in (loc) l/defl L/d	PLATES	GRIP
TCLL 20.0	Plate Grip DOL 1.25	TC 0.65	Vert(LL) -0.16 6 >509 360	MT20	244/190
TCDL 10.0	Lumber DOL 1.25	BC 0.45	Vert(CT) -0.32 6 >256 240		
BCLL 0.0 *	Rep Stress Incr YES	WB 0.02	Horz(CT) 0.08 5 n/a n/a		
BCDL 10.0	Code FBC2023/TPI2014	Matrix-MS	Wind(LL) 0.17 6 >481 240	Weight: 26 lb	FT = 20%

LUMBER-

TOP CHORD 2x4 SP No.2
BOT CHORD 2x4 SP No.2
WEBS 2x4 SP No.2

BRACING-

TOP CHORD Structural wood sheathing directly applied or 6-0-0 oc purlins.
BOT CHORD Rigid ceiling directly applied or 6-0-0 oc bracing.

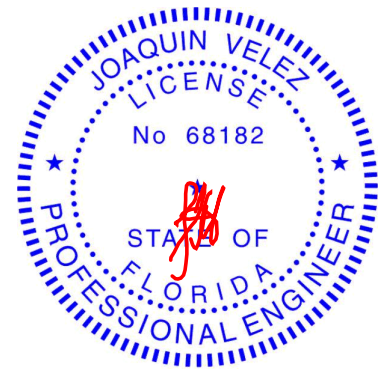
REACTIONS.

(size) 4=Mechanical, 5=Mechanical, 2=0-4-0
Max Horz 2=107(LC 12)
Max Uplift 4=44(LC 12), 2=-32(LC 12)
Max Grav 4=184(LC 1), 5=106(LC 3), 2=365(LC 1)

FORCES. (lb) - Max. Comp./Max. Ten. - All forces 250 (lb) or less except when shown.

NOTES-

- 1) Wind: ASCE 7-22; Vult=130mph (3-second gust) Vasd=101mph; TCDL=4.2psf; BCDL=6.0psf; h=15ft; B=45ft; L=24ft; eave=4ft; Cat. II; Exp B; Encl. GCpi=0.18; MWFRS (directional) and C-C Zone3 -1-4-0 to 1-8-0, Zone1 1-8-0 to 6-11-4 zone; cantilever left and right exposed ;C-C for members and forces & MWFRS for reactions shown; Lumber DOL=1.60 plate grip DOL=1.60
- 2) Building Designer / Project engineer responsible for verifying applied roof live load shown covers rain loading requirements specific to the use of this truss component.
- 3) This truss has been designed for a 10.0 psf bottom chord live load nonconcurrent with any other live loads.
- 4) * This truss has been designed for a live load of 20.0psf on the bottom chord in all areas where a rectangle 3-6-0 tall by 2-0-0 wide will fit between the bottom chord and any other members.
- 5) Refer to girder(s) for truss to truss connections.
- 6) Bearing at joint(s) 2 considers parallel to grain value using ANSI/TPI 1 angle to grain formula. Building designer should verify capacity of bearing surface.
- 7) Provide mechanical connection (by others) of truss to bearing plate capable of withstanding 100 lb uplift at joint(s) 4, 2.



Joaquin Velez PE No.68182
MiTek Inc. DBA MiTek USA FL Cert 6634
16023 Swingley Ridge Rd. Chesterfield, MO 63017
Date:

November 20,2025

WARNING - Verify design parameters and READ NOTES ON THIS AND INCLUDED MITEK REFERENCE PAGE MII-7473 rev. 1/2/2023 BEFORE USE.

Design valid for use only with MiTek® connectors. This design is based only upon parameters shown, and is for an individual building component, not a truss system. Before use, the building designer must verify the applicability of design parameters and properly incorporate this design into the overall building design. Bracing indicated is to prevent buckling of individual truss web and/or chord members only. Additional temporary and permanent bracing is always required for stability and to prevent collapse with possible personal injury and property damage. For general guidance regarding the fabrication, storage, delivery, erection and bracing of trusses and truss systems, see **ANSI/TPI1 Quality Criteria and DSB-22** available from Truss Plate Institute (www.tpinst.org) and **BCSI Building Component Safety Information** available from the Structural Building Component Association (www.sbcsccomponents.com)

MiTek®

16023 Swingley Ridge Rd.
Chesterfield, MO 63017
314.434.1200 / MiTek-US.com

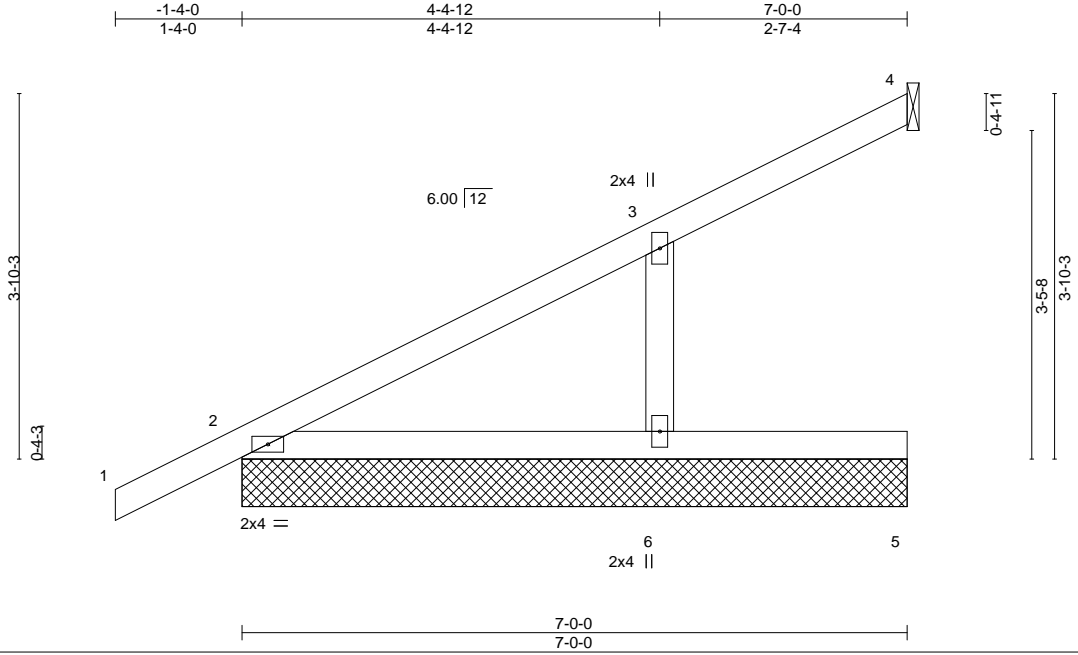
Job 6260876	Truss EJ7Z	Truss Type JACK-OPEN SUPPORTED	Qty 1	Ply 1	2265-C-3Car FE	T39255697
----------------	---------------	-----------------------------------	----------	----------	----------------	-----------

Tibbetts Lumber Co., LLC (Ocala, FL),

Ocala, FL - 34472,

8.830 s Sep 3 2025 MiTek Industries, Inc. Thu Nov 20 07:03:15 2025 Page 1
ID:BVCP0onomzlvFXJ68ELDtZyqlf8-fMxs5WsHOxQnhcCy?grsIZWFNjXFOUuTsR9Ui8yHMfg

Job Reference (optional)



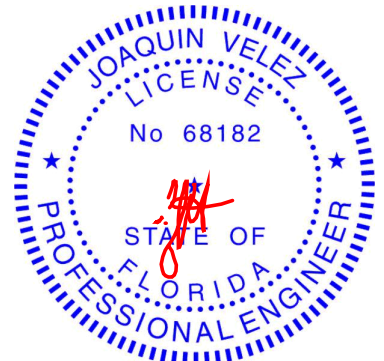
LOADING (psf)	SPACING-	CSI.	DEFL.	in (loc)	l/defl	L/d	PLATES	GRIP
TCLL 20.0	Plate Grip DOL 1.25	TC 0.09	Vert(LL) -0.04	5	>853	360	MT20	244/190
TCDL 10.0	Lumber DOL 1.25	BC 0.14	Vert(CT) -0.07	5	>440	240		
BCLL 0.0 *	Rep Stress Incr YES	WB 0.06	Horz(CT) -0.00	4	n/a	n/a		
BCDL 10.0	Code FBC2023/TPI2014	Matrix-S	Wind(LL) -0.01	5	>999	240	Weight: 27 lb	FT = 20%

LUMBER-	BRACING-
TOP CHORD 2x4 SP M 31 or 2x4 SP SS	TOP CHORD Structural wood sheathing directly applied or 6-0-0 oc purlins.
BOT CHORD 2x4 SP M 31 or 2x4 SP SS	BOT CHORD Rigid ceiling directly applied or 10-0-0 oc bracing.
WEBS 2x4 SP No.2	

REACTIONS. (size) 4=Mechanical, 2=7-0-0, 6=7-0-0
 Max Horz 2=107(LC 12)
 Max Uplift 4=-17(LC 12), 2=-27(LC 12), 6=-18(LC 12)
 Max Grav 4=42(LC 1), 2=233(LC 1), 6=362(LC 1)


FORCES. (lb) - Max. Comp./Max. Ten. - All forces 250 (lb) or less except when shown.
 WEBS 3-6=-247/334

- NOTES-**
- 1) Wind: ASCE 7-22; Vult=130mph (3-second gust) Vasd=101mph; TC DL=4.2psf; BCDL=6.0psf; h=15ft; B=45ft; L=24ft; eave=2ft; Cat. II; Exp B; Encl., GCpi=0.18; MWFRS (directional) and C-C Zone3 zone; cantilever left and right exposed ;C-C for members and forces & MWFRS for reactions shown; Lumber DOL=1.60 plate grip DOL=1.60
 - 2) Building Designer / Project engineer responsible for verifying applied roof live load shown covers rain loading requirements specific to the use of this truss component.
 - 3) This truss has been designed for a 10.0 psf bottom chord live load nonconcurrent with any other live loads.
 - 4) * This truss has been designed for a live load of 20.0psf on the bottom chord in all areas where a rectangle 3-6-0 tall by 2-0-0 wide will fit between the bottom chord and any other members.
 - 5) Refer to girder(s) for truss to truss connections.
 - 6) Provide mechanical connection (by others) of truss to bearing plate capable of withstanding 100 lb uplift at joint(s) 4, 2, 6.



Joaquin Velez PE No.68182
 MiTek Inc. DBA MiTek USA FL Cert 6634
 16023 Swingley Ridge Rd. Chesterfield, MO 63017
 Date:

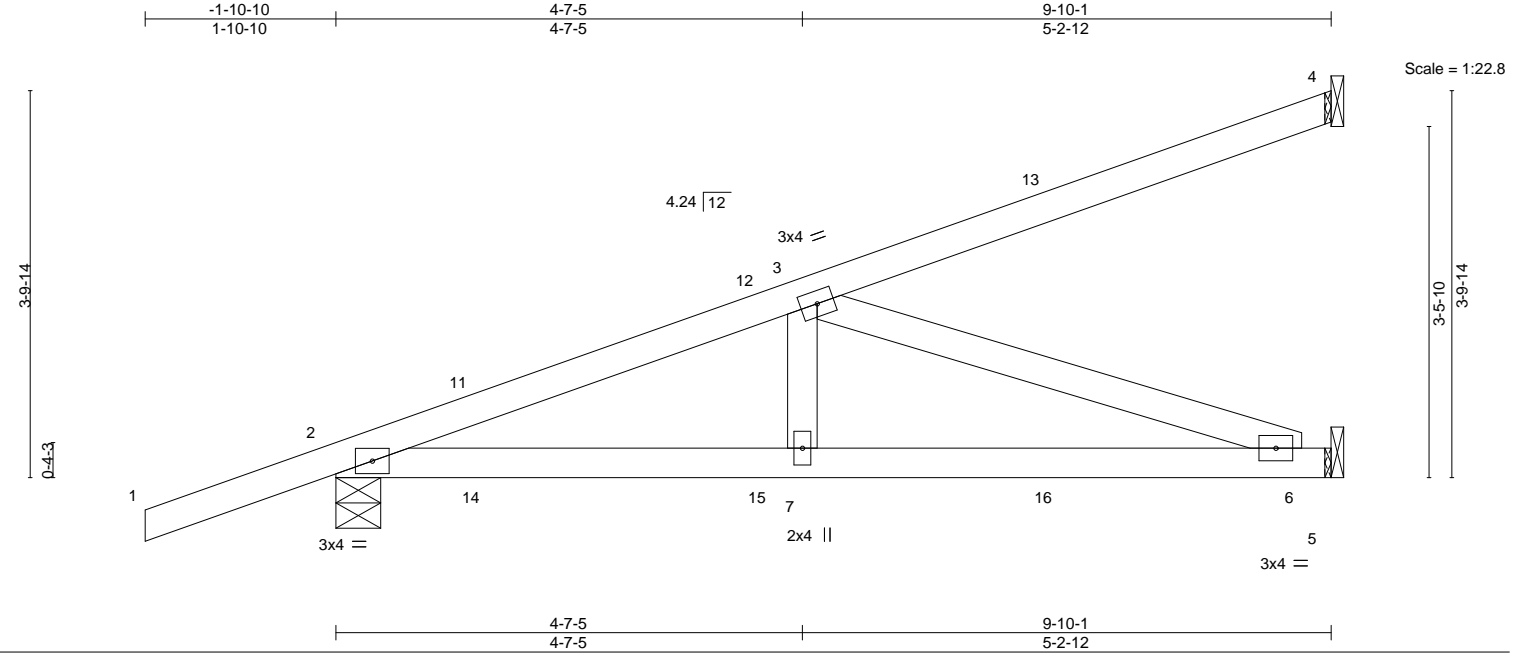
November 20,2025

<p>WARNING - Verify design parameters and READ NOTES ON THIS AND INCLUDED MITEK REFERENCE PAGE MII-7473 rev. 1/2/2023 BEFORE USE.</p> <p>Design valid for use only with MiTek® connectors. This design is based only upon parameters shown, and is for an individual building component, not a truss system. Before use, the building designer must verify the applicability of design parameters and properly incorporate this design into the overall building design. Bracing indicated is to prevent buckling of individual truss web and/or chord members only. Additional temporary and permanent bracing is always required for stability and to prevent collapse with possible personal injury and property damage. For general guidance regarding the fabrication, storage, delivery, erection and bracing of trusses and truss systems, see ANSI/TPI1 Quality Criteria and DSB-22 available from Truss Plate Institute (www.tpinst.org) and BCSI Building Component Safety Information available from the Structural Building Component Association (www.sbcsccomponents.com)</p>	 <p>16023 Swingley Ridge Rd. Chesterfield, MO 63017 314.434.1200 / MiTek-US.com</p>
--	--

Job 6260876	Truss HJ1	Truss Type Diagonal Hip Girder	Qty 3	Ply 1	2265-C-3Car FE	T39255698
----------------	--------------	-----------------------------------	----------	----------	----------------	-----------

Tibbetts Lumber Co., LLC (Ocala, FL), Ocala, FL - 34472,

8.830 s Sep 3 2025 MiTek Industries, Inc. Thu Nov 20 07:03:15 2025 Page 1
ID:BVCCPOnomzlvFXJ68ELDtZyqlf8-fMxs5WsHOxQnhcCy?grslZW7yjQrOOoTsR9Ui8yHMfg



LOADING (psf)	SPACING-	CSI.	DEFL.	PLATES	GRIP
TCLL 20.0	2-0-0	TC 0.62	in (loc) l/defl L/d	MT20	244/190
TCDL 10.0	Plate Grip DOL 1.25	BC 0.62	Vert(LL) -0.05 6-7 >999 360		
BCLL 0.0 *	Lumber DOL 1.25	WB 0.38	Vert(CT) -0.11 6-7 >999 240		
BCDL 10.0	Rep Stress Incr NO	Matrix-MS	Horz(CT) 0.01 5 n/a n/a		
	Code FBC2023/TPI2014		Wind(LL) -0.02 7-10 >999 240	Weight: 43 lb	FT = 20%

LUMBER-	BRACING-
TOP CHORD 2x4 SP No.2	TOP CHORD Structural wood sheathing directly applied or 6-0-0 oc purlins.
BOT CHORD 2x4 SP No.2	BOT CHORD Rigid ceiling directly applied or 10-0-0 oc bracing.
WEBS 2x4 SP No.2	

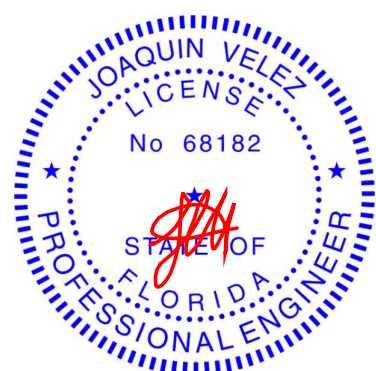
REACTIONS. (size) 4=Mechanical, 2=0-5-5, 5=Mechanical
 Max Horz 2=107(LC 27)
 Max Uplift 4=-96(LC 8), 2=-17(LC 8)
 Max Grav 4=303(LC 1), 2=466(LC 31), 5=318(LC 3)

FORCES. (lb) - Max. Comp./Max. Ten. - All forces 250 (lb) or less except when shown.
 TOP CHORD 2-3=-793/0
 BOT CHORD 2-7=-10/742, 6-7=-10/742
 WEBS 3-7=0/289, 3-6=-783/10

- NOTES-**
- 1) Wind: ASCE 7-22; Vult=130mph (3-second gust) Vasd=101mph; TCDL=4.2psf; BCDL=6.0psf; h=15ft; B=45ft; L=24ft; eave=4ft; Cat. II; Exp B; Encl., GCpi=0.18; MWFRS (directional); cantilever left and right exposed ; Lumber DOL=1.60 plate grip DOL=1.60
 - 2) Building Designer / Project engineer responsible for verifying applied roof live load shown covers rain loading requirements specific to the use of this truss component.
 - 3) This truss has been designed for a 10.0 psf bottom chord live load nonconcurrent with any other live loads.
 - 4) * This truss has been designed for a live load of 20.0psf on the bottom chord in all areas where a rectangle 3-6-0 tall by 2-0-0 wide will fit between the bottom chord and any other members.
 - 5) Refer to girder(s) for truss to truss connections.
 - 6) Provide mechanical connection (by others) of truss to bearing plate capable of withstanding 100 lb uplift at joint(s) 4, 2.
 - 7) Hanger(s) or other connection device(s) shall be provided sufficient to support concentrated load(s) 45 lb down and 59 lb up at 1-4-15, 45 lb down and 59 lb up at 1-4-15, 59 lb down and 34 lb up at 4-2-15, 59 lb down and 34 lb up at 4-2-15, 89 lb down and 62 lb up at 7-0-14, and 89 lb down and 62 lb up at 7-0-14, and 141 lb down and 70 lb up at 9-9-5 on top chord, and 20 lb down and 14 lb up at 1-4-15, 20 lb down and 14 lb up at 1-4-15, 14 lb down at 4-2-15, 14 lb down at 4-2-15, and 35 lb down at 7-0-14, and 35 lb down at 7-0-14 on bottom chord. The design/selection of such connection device(s) is the responsibility of others.
 - 8) In the LOAD CASE(S) section, loads applied to the face of the truss are noted as front (F) or back (B).

LOAD CASE(S) Standard

1) Dead + Roof Live (balanced): Lumber Increase=1.25, Plate Increase=1.25
Uniform Loads (plf)
Vert: 1-4=-60, 5-8=-20
Concentrated Loads (lb)
Vert: 4=-141(F) 11=117(F=58, B=58) 13=-81(F=-40, B=-40) 15=-10(F=-5, B=-5) 16=-66(F=-33, B=-33)



Joaquin Velez PE No.68182
 MiTek Inc. DBA MiTek USA FL Cert 6634
 16023 Swingley Ridge Rd. Chesterfield, MO 63017
 Date:

November 20,2025

WARNING - Verify design parameters and READ NOTES ON THIS AND INCLUDED MITEK REFERENCE PAGE MII-7473 rev. 1/2/2023 BEFORE USE.

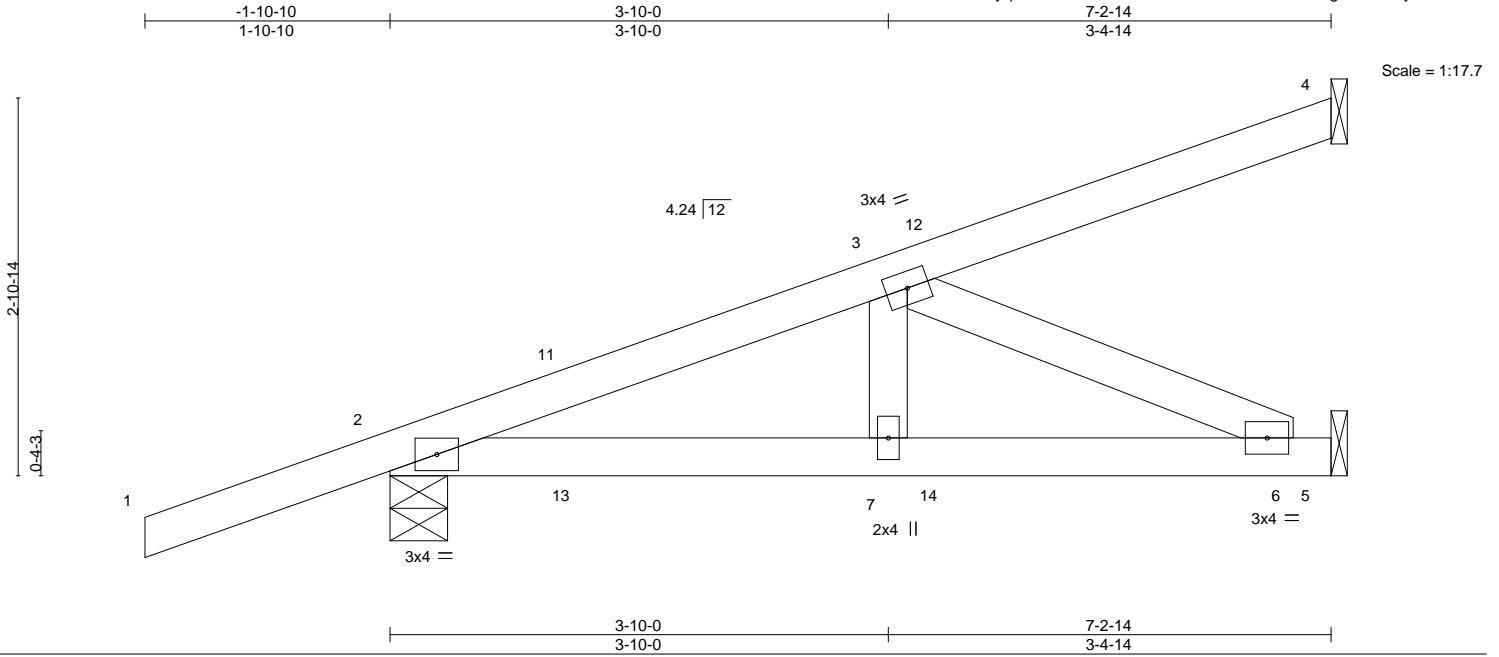
Design valid for use only with MiTek® connectors. This design is based only upon parameters shown, and is for an individual building component, not a truss system. Before use, the building designer must verify the applicability of design parameters and properly incorporate this design into the overall building design. Bracing indicated is to prevent buckling of individual truss web and/or chord members only. Additional temporary and permanent bracing is always required for stability and to prevent collapse with possible personal injury and property damage. For general guidance regarding the fabrication, storage, delivery, erection and bracing of trusses and truss systems, see **ANSI/TPI1 Quality Criteria and DSB-22** available from Truss Plate Institute (www.tpinst.org) and **BCSI Building Component Safety Information** available from the Structural Building Component Association (www.sbcsccomponents.com)

16023 Swingley Ridge Rd.
 Chesterfield, MO 63017
 314.434.1200 / MiTek-US.com

Job	Truss	Truss Type	Qty	Ply	2265-C-3Car FE	T39255699
6260876	HJ3	Diagonal Hip Girder	1	1	Job Reference (optional)	

Tibbetts Lumber Co., LLC (Ocala, FL), Ocala, FL - 34472,

8.830 s Sep 3 2025 MiTek Industries, Inc. Thu Nov 20 07:03:16 2025 Page 1
ID:BVCPOnomzlvFXJ68ELDtZyqlf8-7ZVEJssv9EYdln9YOM5rm3NO7rV7wgc55v2EayHMff



LOADING (psf)	SPACING-	CSI.	DEFL.	PLATES	GRIP
TCLL 20.0	2-0-0	TC 0.26	in (loc) l/defl L/d	MT20	244/190
TCDL 10.0	Plate Grip DOL 1.25	BC 0.27	Vert(LL) 0.01 7-10 >999 360		
BCLL 0.0 *	Lumber DOL 1.25	WB 0.09	Vert(CT) -0.02 6-7 >999 240		
BCDL 10.0	Rep Stress Incr NO	Matrix-MS	Horz(CT) 0.00 5 n/a n/a		
	Code FBC2023/TPI2014		Wind(LL) -0.01 7-10 >999 240	Weight: 32 lb	FT = 20%

LUMBER-	BRACING-
TOP CHORD 2x4 SP No.2	TOP CHORD Structural wood sheathing directly applied or 6-0-0 oc purlins.
BOT CHORD 2x4 SP No.2	BOT CHORD Rigid ceiling directly applied or 10-0-0 oc bracing.
WEBS 2x4 SP No.2	

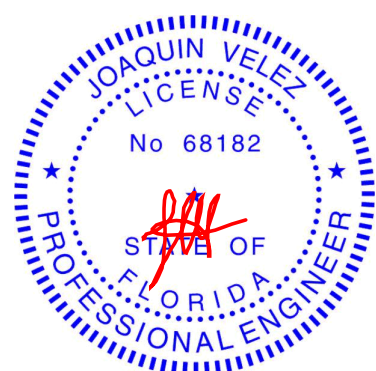
REACTIONS. (size) 4=Mechanical, 2=0-5-5, 5=Mechanical
 Max Horz 2=85(LC 27)
 Max Uplift 4=85(LC 6), 2=-18(LC 8)
 Max Grav 4=253(LC 1), 2=344(LC 31), 5=308(LC 3)

FORCES. (lb) - Max. Comp./Max. Ten. - All forces 250 (lb) or less except when shown.
 TOP CHORD 2-3=-417/0
 BOT CHORD 2-7=0/374, 6-7=0/374
 WEBS 3-6=-410/0

- NOTES-**
- 1) Wind: ASCE 7-22; Vult=130mph (3-second gust) Vasd=101mph; TCDL=4.2psf; BCDL=6.0psf; h=15ft; B=45ft; L=24ft; eave=4ft; Cat. II; Exp B; Encl., GCpi=0.18; MWFRS (directional); cantilever left and right exposed ; Lumber DOL=1.60 plate grip DOL=1.60
 - 2) Building Designer / Project engineer responsible for verifying applied roof live load shown covers rain loading requirements specific to the use of this truss component.
 - 3) This truss has been designed for a 10.0 psf bottom chord live load nonconcurrent with any other live loads.
 - 4) * This truss has been designed for a live load of 20.0psf on the bottom chord in all areas where a rectangle 3-6-0 tall by 2-0-0 wide will fit between the bottom chord and any other members.
 - 5) Refer to girder(s) for truss to truss connections.
 - 6) Provide mechanical connection (by others) of truss to bearing plate capable of withstanding 100 lb uplift at joint(s) 4, 2.
 - 7) Hanger(s) or other connection device(s) shall be provided sufficient to support concentrated load(s) 45 lb down and 59 lb up at 1-4-15, 45 lb down and 59 lb up at 1-4-15, 63 lb down and 40 lb up at 4-2-15, 59 lb down and 34 lb up at 4-2-15, and 85 lb down and 57 lb up at 7-2-2, and 80 lb down and 54 lb up at 7-2-2 on top chord, and 20 lb down and 14 lb up at 1-4-15, 20 lb down and 14 lb up at 1-4-15, 16 lb down at 4-2-15, 14 lb down at 4-2-15, and 62 lb down at 7-2-2, and 60 lb down at 7-2-2 on bottom chord. The design/selection of such connection device(s) is the responsibility of others.
 - 8) In the LOAD CASE(S) section, loads applied to the face of the truss are noted as front (F) or back (B).

LOAD CASE(S) Standard

1) Dead + Roof Live (balanced): Lumber Increase=1.25, Plate Increase=1.25
Uniform Loads (plf)
Vert: 1-4=-60, 5-8=-20
Concentrated Loads (lb)
Vert: 4=-164(F=-80, B=-85) 6=-98(F=-46, B=-52) 11=117(F=58, B=58) 12=0(B) 14=-19(F=-5, B=-13)



Joaquin Velez PE No.68182
 MiTek Inc. DBA MiTek USA FL Cert 6634
 16023 Swingley Ridge Rd. Chesterfield, MO 63017
 Date:

November 20,2025

WARNING - Verify design parameters and READ NOTES ON THIS AND INCLUDED MITEK REFERENCE PAGE MII-7473 rev. 1/2/2023 BEFORE USE.

Design valid for use only with MiTek® connectors. This design is based only upon parameters shown, and is for an individual building component, not a truss system. Before use, the building designer must verify the applicability of design parameters and properly incorporate this design into the overall building design. Bracing indicated is to prevent buckling of individual truss web and/or chord members only. Additional temporary and permanent bracing is always required for stability and to prevent collapse with possible personal injury and property damage. For general guidance regarding the fabrication, storage, delivery, erection and bracing of trusses and truss systems, see **ANSI/TPI1 Quality Criteria and DSB-22** available from Truss Plate Institute (www.tpinst.org) and **BCSI Building Component Safety Information** available from the Structural Building Component Association (www.sbcsccomponents.com)

16023 Swingley Ridge Rd.
 Chesterfield, MO 63017
 314.434.1200 / MiTek-US.com

Job 6260876	Truss MG1	Truss Type Jack-Open Girder	Qty 1	Ply 1	2265-C-3Car FE	T39255700
----------------	--------------	--------------------------------	----------	----------	----------------	-----------

Tibbetts Lumber Co., LLC (Ocala, FL), Ocala, FL - 34472, 8.830 s Sep 3 2025 MiTek Industries, Inc. Thu Nov 20 07:03:16 2025 Page 1
 ID:BVCPOnomzlvFXJ68ELDtZyqlf8-7ZVEJssv9EYdln9YOM5rm3MO7J7rmc55v2EayHMff

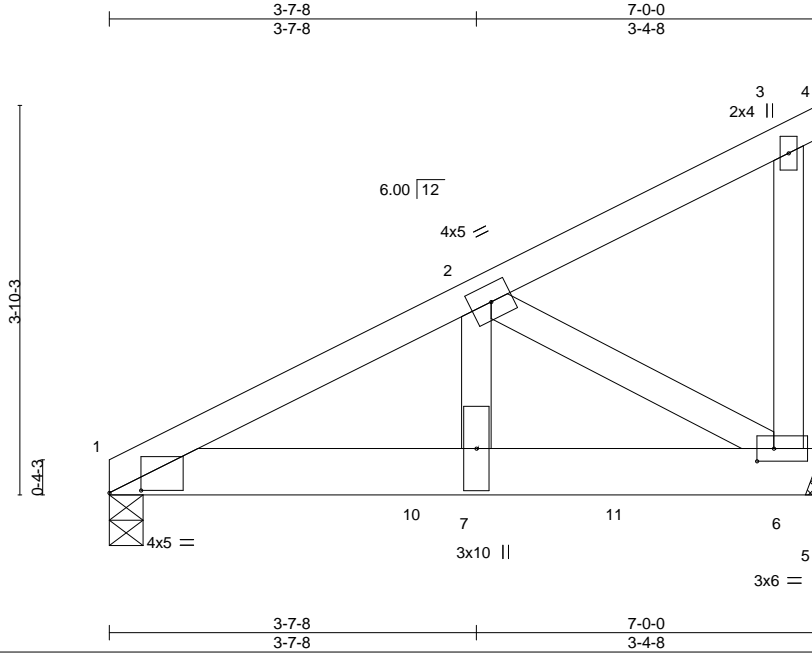


Plate Offsets (X,Y)-- [1:0-3-12,0-0-5], [6:0-2-0,0-1-8]

LOADING (psf)	SPACING-	CSI.	DEFL.	in (loc)	l/defl	L/d	PLATES	GRIP
TCLL 20.0	Plate Grip DOL 1.25	TC 0.32	Vert(LL) -0.03	7-9	>999	360	MT20	244/190
TCDL 10.0	Lumber DOL 1.25	BC 0.78	Vert(CT) -0.05	7-9	>999	240		
BCLL 0.0 *	Rep Stress Incr NO	WB 0.40	Horz(CT) 0.01	6	n/a	n/a		
BCDL 10.0	Code FBC2023/TPI2014	Matrix-MS	Wind(LL) 0.02	7-9	>999	240		
							Weight: 39 lb	FT = 20%

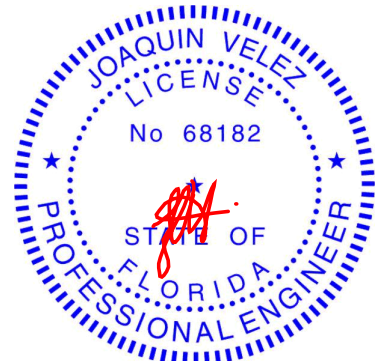
LUMBER-	BRACING-
TOP CHORD 2x4 SP No.2	TOP CHORD Structural wood sheathing directly applied or 4-1-0 oc purlins.
BOT CHORD 2x6 SP No.2	BOT CHORD Rigid ceiling directly applied or 10-0-0 oc bracing.
WEBS 2x4 SP No.2	

REACTIONS. (size) 1=0-4-0, 6=Mechanical
 Max Horz 1=83(LC 23)
 Max Uplift 1=-61(LC 8), 6=-90(LC 8)
 Max Grav 1=1457(LC 1), 6=1242(LC 1)

FORCES. (lb) - Max. Comp./Max. Ten. - All forces 250 (lb) or less except when shown.
 TOP CHORD 1-2=-1787/66
 BOT CHORD 1-7=-114/1597, 6-7=-114/1597
 WEBS 2-7=-45/1454, 2-6=-1841/132

- NOTES-**
- 1) Wind: ASCE 7-22; Vult=130mph (3-second gust) Vasd=101mph; TCDL=4.2psf; BCDL=6.0psf; h=15ft; B=45ft; L=24ft; eave=4ft; Cat. II; Exp B; Encl., GCpi=0.18; MWFRS (directional); cantilever left and right exposed; Lumber DOL=1.60 plate grip DOL=1.60
 - 2) Building Designer / Project engineer responsible for verifying applied roof live load shown covers rain loading requirements specific to the use of this truss component.
 - 3) This truss has been designed for a 10.0 psf bottom chord live load nonconcurrent with any other live loads.
 - 4) * This truss has been designed for a live load of 20.0psf on the bottom chord in all areas where a rectangle 3-6-0 tall by 2-0-0 wide will fit between the bottom chord and any other members.
 - 5) Refer to girder(s) for truss to truss connections.
 - 6) Provide mechanical connection (by others) of truss to bearing plate capable of withstanding 100 lb uplift at joint(s) 1, 6.
 - 7) Hanger(s) or other connection device(s) shall be provided sufficient to support concentrated load(s) 717 lb down and 51 lb up at 1-0-12, and 717 lb down and 51 lb up at 3-0-12, and 717 lb down and 51 lb up at 5-0-12 on bottom chord. The design/selection of such connection device(s) is the responsibility of others.
 - 8) In the LOAD CASE(S) section, loads applied to the face of the truss are noted as front (F) or back (B).

LOAD CASE(S) Standard
 1) Dead + Roof Live (balanced): Lumber Increase=1.25, Plate Increase=1.25
 Uniform Loads (plf)
 Vert: 1-3=-60, 3-4=-20, 1-5=-20
 Concentrated Loads (lb)
 Vert: 9=-717(B) 10=-717(B) 11=-717(B)



Joaquin Velez PE No.68182
 MiTek Inc. DBA MiTek USA FL Cert 6634
 16023 Swingley Ridge Rd. Chesterfield, MO 63017
 Date:

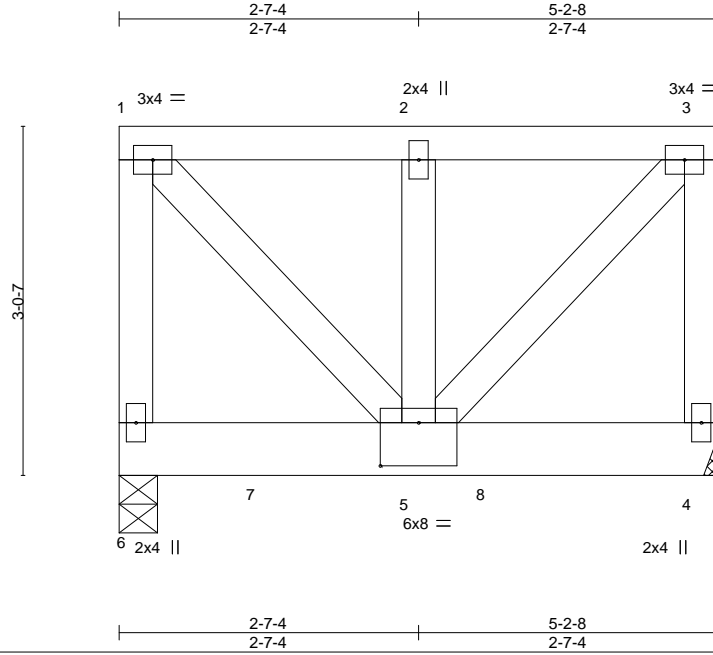
November 20,2025

Job 6260876	Truss MG2	Truss Type Flat Girder	Qty 1	Ply 1	2265-C-3Car FE	T39255701
----------------	--------------	---------------------------	----------	----------	----------------	-----------

Tibbetts Lumber Co., LLC (Ocala, FL),

Ocala, FL - 34472,

8.830 s Sep 3 2025 MiTek Industries, Inc. Thu Nov 20 07:03:17 2025 Page 1
ID:BVCCPOonomzlvFXJ68ELDtZyqlf8-bl2cWCtXwYgUwvML65tKNzcbRX9JslsmKlebrm0yHMfe



Scale = 1:20.0

Plate Offsets (X,Y)-- [5:0-4-0-0-4-8]

LOADING (psf)	SPACING-	CSI.	DEFL.	in (loc)	l/defl	L/d	PLATES	GRIP
TCLL 20.0	Plate Grip DOL 1.25	TC 0.11	Vert(LL) -0.01	5-6	>999	360	MT20	244/190
TCDL 10.0	Lumber DOL 1.25	BC 0.42	Vert(CT) -0.02	5-6	>999	240		
BCLL 0.0 *	Rep Stress Incr NO	WB 0.22	Horz(CT) -0.00	4	n/a	n/a		
BCDL 10.0	Code FBC2023/TPI2014	Matrix-MP	Wind(LL) 0.00	5	>999	240		
							Weight: 39 lb	FT = 20%

LUMBER-

TOP CHORD 2x4 SP No.2
BOT CHORD 2x6 SP No.2
WEBS 2x4 SP No.2

BRACING-

TOP CHORD Structural wood sheathing directly applied or 5-2-8 oc purlins, except end verticals.
BOT CHORD Rigid ceiling directly applied or 10-0-0 oc bracing.

REACTIONS.

(size) 6=0-4-0, 4=Mechanical
Max Uplift 6=-71(LC 4), 4=-57(LC 4)
Max Grav 6=1149(LC 2), 4=916(LC 2)

FORCES. (lb) - Max. Comp./Max. Ten. - All forces 250 (lb) or less except when shown.

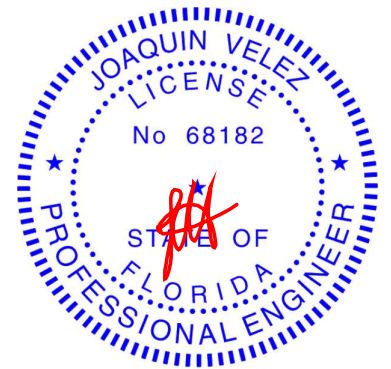
TOP CHORD 1-6=-769/60, 1-2=-659/40, 2-3=-659/40, 3-4=-769/60
WEBS 1-5=-59/972, 3-5=-59/972

NOTES-

- Unbalanced roof live loads have been considered for this design.
- Wind: ASCE 7-22; Vult=130mph (3-second gust) Vasd=101mph; TCDL=4.2psf; BCDL=6.0psf; h=15ft; B=45ft; L=24ft; eave=4ft; Cat. II; Exp B; Encl., GCpi=0.18; MWFRS (directional); cantilever left and right exposed ; Lumber DOL=1.60 plate grip DOL=1.60
- Building Designer / Project engineer responsible for verifying applied roof live load shown covers rain loading requirements specific to the use of this truss component.
- Provide adequate drainage to prevent water ponding.
- This truss has been designed for a 10.0 psf bottom chord live load nonconcurrent with any other live loads.
- * This truss has been designed for a live load of 20.0psf on the bottom chord in all areas where a rectangle 3-6-0 tall by 2-0-0 wide will fit between the bottom chord and any other members.
- Refer to girder(s) for truss to truss connections.
- Provide mechanical connection (by others) of truss to bearing plate capable of withstanding 100 lb uplift at joint(s) 6, 4.
- Hanger(s) or other connection device(s) shall be provided sufficient to support concentrated load(s) 861 lb down and 58 lb up at 1-3-4, and 861 lb down and 58 lb up at 3-3-4 on bottom chord. The design/selection of such connection device(s) is the responsibility of others.
- In the LOAD CASE(S) section, loads applied to the face of the truss are noted as front (F) or back (B).

LOAD CASE(S) Standard

- Dead + Roof Live (balanced): Lumber Increase=1.25, Plate Increase=1.25
Uniform Loads (plf)
Vert: 1-3=-60, 4-6=-20
Concentrated Loads (lb)
Vert: 7=-772(B) 8=-772(B)



Joaquin Velez PE No.68182
MiTek Inc. DBA MiTek USA FL Cert 6634
16023 Swingley Ridge Rd. Chesterfield, MO 63017
Date:

November 20,2025

WARNING - Verify design parameters and READ NOTES ON THIS AND INCLUDED MITEK REFERENCE PAGE MII-7473 rev. 1/2/2023 BEFORE USE.

Design valid for use only with MiTek® connectors. This design is based only upon parameters shown, and is for an individual building component, not a truss system. Before use, the building designer must verify the applicability of design parameters and properly incorporate this design into the overall building design. Bracing indicated is to prevent buckling of individual truss web and/or chord members only. Additional temporary and permanent bracing is always required for stability and to prevent collapse with possible personal injury and property damage. For general guidance regarding the fabrication, storage, delivery, erection and bracing of trusses and truss systems, see **ANSI/TPI1 Quality Criteria and DSB-22** available from Truss Plate Institute (www.tpinst.org) and **BCSI Building Component Safety Information** available from the Structural Building Component Association (www.sbcsccomponents.com)

MiTek®

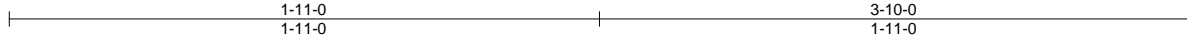
16023 Swingley Ridge Rd.
Chesterfield, MO 63017
314.434.1200 / MiTek-US.com

Job	Truss	Truss Type	Qty	Ply	2265-C-3Car FE	T39255702
6260876	PB1	Piggyback	6	1	Job Reference (optional)	

Tibbetts Lumber Co., LLC (Ocala, FL), Ocala, FL - 34472,

8.830 s Sep 3 2025 MiTek Industries, Inc. Thu Nov 20 07:03:17 2025 Page 1

ID:BVCP0onomzlvFXJ68ELDtZyqlf8-bl2cWCTXwYgUwvML65tKNzccdXFGsOHmKlebm0yHMfe



Scale = 1:7.5

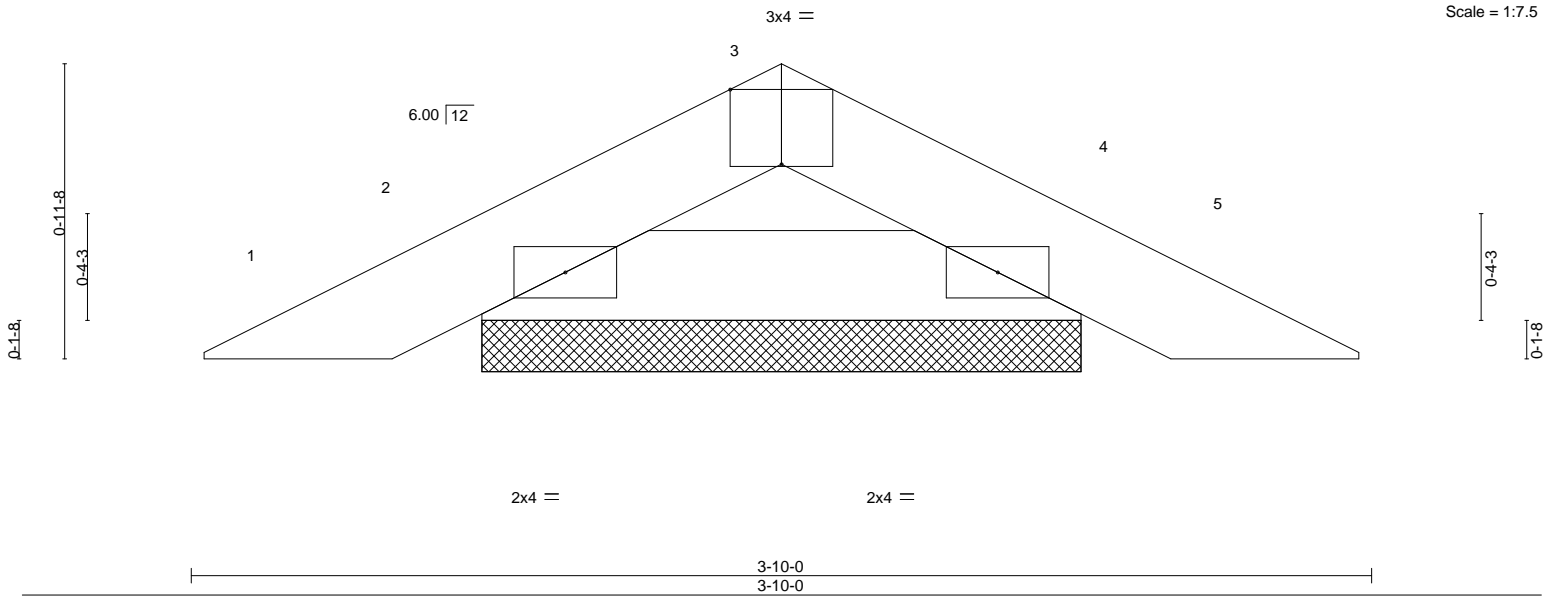


Plate Offsets (X,Y)--	[3:0-2-0,Edge]
-----------------------	----------------

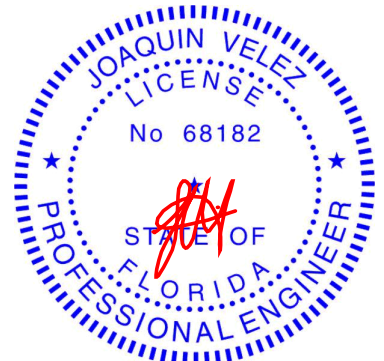
LOADING (psf)	SPACING-	2-0-0	CSI.	DEFL.	in (loc)	l/defl	L/d	PLATES	GRIP
TCLL 20.0	Plate Grip DOL	1.25	TC 0.04	Vert(LL)	-0.00	4	n/r	MT20	244/190
TCDL 10.0	Lumber DOL	1.25	BC 0.04	Vert(CT)	-0.00	4	n/r		
BCLL 0.0 *	Rep Stress Incr	YES	WB 0.00	Horz(CT)	0.00	4	n/a		
BCDL 10.0	Code	FBC2023/TP12014	Matrix-P					Weight: 9 lb	FT = 20%

LUMBER-	BRACING-
TOP CHORD 2x4 SP No.2	TOP CHORD Structural wood sheathing directly applied or 3-10-0 oc purlins.
BOT CHORD 2x4 SP No.2	BOT CHORD Rigid ceiling directly applied or 10-0-0 oc bracing.

REACTIONS. (size) 2=1-11-6, 4=1-11-6
 Max Horz 2=-13(LC 10)
 Max Uplift 2=-20(LC 12), 4=-20(LC 12)
 Max Grav 2=114(LC 1), 4=114(LC 1)

FORCES. (lb) - Max. Comp./Max. Ten. - All forces 250 (lb) or less except when shown.

- NOTES-**
- Unbalanced roof live loads have been considered for this design.
 - Wind: ASCE 7-22; Vult=130mph (3-second gust) Vasd=101mph; TC DL=4.2psf; BCDL=6.0psf; h=15ft; B=45ft; L=24ft; eave=4ft; Cat. II; Exp B; Encl., GCpi=0.18; MWFRS (directional) and C-C Zone3 zone; cantilever left and right exposed ;C-C for members and forces & MWFRS for reactions shown; Lumber DOL=1.60 plate grip DOL=1.60
 - Building Designer / Project engineer responsible for verifying applied roof live load shown covers rain loading requirements specific to the use of this truss component.
 - Gable requires continuous bottom chord bearing.
 - This truss has been designed for a 10.0 psf bottom chord live load nonconcurrent with any other live loads.
 - * This truss has been designed for a live load of 20.0psf on the bottom chord in all areas where a rectangle 3-6-0 tall by 2-0-0 wide will fit between the bottom chord and any other members.
 - Provide mechanical connection (by others) of truss to bearing plate capable of withstanding 100 lb uplift at joint(s) 2, 4.
 - See Standard Industry Piggyback Truss Connection Detail for Connection to base truss as applicable, or consult qualified building designer.

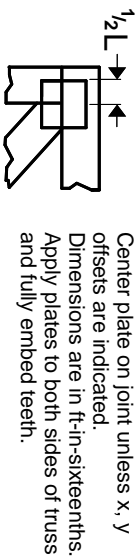


Joaquin Velez PE No.68182
 MiTek Inc. DBA MiTek USA FL Cert 6634
 16023 Swingley Ridge Rd. Chesterfield, MO 63017
 Date:

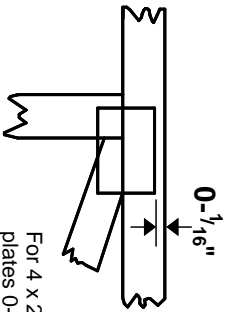
November 20,2025

Symbols

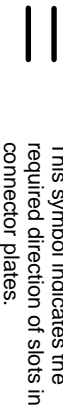
PLATE LOCATION AND ORIENTATION



Center plate on joint unless x, y offsets are indicated. Dimensions are in ft-in-sixteenths. Apply plates to both sides of truss and fully embed teeth.



For 4 x 2 orientation, locate plates 0- 1/16" from outside edge of truss.



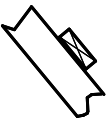
This symbol indicates the required direction of slots in connector plates.

* Plate location details available in MITtek software or upon request.

PLATE SIZE

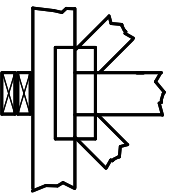
4 X 4
The first dimension is the plate width measured perpendicular to slots. Second dimension is the length parallel to slots.

LATERAL BRACING LOCATION



Indicated by symbol shown and/or by text in the bracing section of the output. Use T or I bracing if indicated.

BEARING

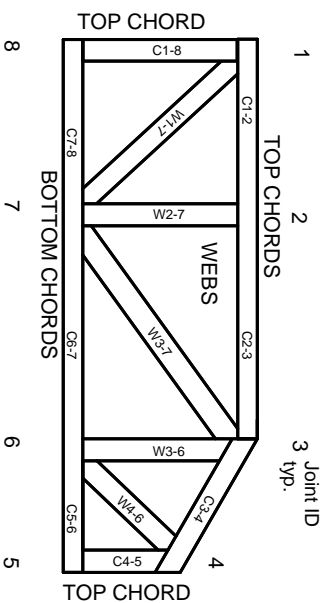


Indicates location where bearings (supports) occur. Icons vary but reaction section indicates joint number/letter where bearings occur. Min size shown is for crushing only.

Industry Standards:

ANSI/TP1: National Design Specification for Metal Plate Connected Wood Truss Construction.
DSB-22: Design Standard for Bracing.
BCSI: Building Component Safety Information, Guide to Good Practice for Handling, Installing, Restraining & Bracing of Metal Plate Connected Wood Trusses.

Numbering System



JOINTS ARE GENERALLY NUMBERED/LETTERED CLOCKWISE AROUND THE TRUSS STARTING AT THE JOINT FARTHEST TO THE LEFT.

CHORDS AND WEBS ARE IDENTIFIED BY END JOINT NUMBERS/LETTERS.

Product Code Approvals

ICC-ES Reports:

ESR-1-1988, ESR-2362, ESR-2685, ESR-3282
ESR-4722, ESL-1388

Design General Notes

Trusses are designed for wind loads in the plane of the truss unless otherwise shown.

Lumber design values are in accordance with ANSI/TP1 section 6.3. These truss designs rely on Lumber values established by others.

© 2023 MITtek® All Rights Reserved

General Safety Notes

Failure to Follow Could Cause Property Damage or Personal Injury

1. Additional stability/bracing for truss system, e.g. diagonal or X-bracing, is always required. See BCSI.
2. Truss bracing must be designed by an engineer. For wide truss spacing, individual lateral braces themselves may require bracing, or alternative Tor I bracing should be considered.
3. Never exceed the design loading shown and never stack materials on inadequately braced trusses.
4. Provide copies of this truss design to the building designer, erection supervisor, property owner and all other interested parties.
5. Cut members to bear tightly against each other.
6. Place plates on each face of truss at each joint and embed fully. Knots and wane at joint locations are regulated by ANSI/TP1 1.
7. Design assumes trusses will be suitably protected from the environment in accord with ANSI/TP1 1.
8. Unless otherwise noted, moisture content of lumber shall not exceed 19% at time of fabrication.
9. Unless expressly noted, this design is not applicable for use with fire retardant, preservative treated, or green lumber.
10. Camber is a non-structural consideration and is the responsibility of truss fabricator. General practice is to camber for dead load deflection.
11. Plate type, size, orientation and location dimensions indicated are minimum plating requirements.
12. Lumber used shall be of the species and size, and in all respects, equal to or better than that specified.
13. Top chords must be sheathed or purlins provided at spacing indicated on design.
14. Bottom chords require lateral bracing at 10 ft. spacing, or less, if no ceiling is installed, unless otherwise noted.
15. Connections not shown are the responsibility of others.
16. Do not cut or alter truss member or plate without prior approval of an engineer.
17. Install and load vertically unless indicated otherwise.
18. Use of green or treated lumber may pose unacceptable environmental, health or performance risks. Consult with project engineer before use.
19. Review all portions of this design (front, back, words and pictures) before use. Reviewing pictures alone is not sufficient.
20. Design assumes manufacture in accordance with ANSI/TP1 1 Quality Criteria.
21. The design does not take into account any dynamic or other loads other than those expressly stated.

MITek®

MITtek Engineering Reference Sheet: Mill-7473 rev. 1/2/2023