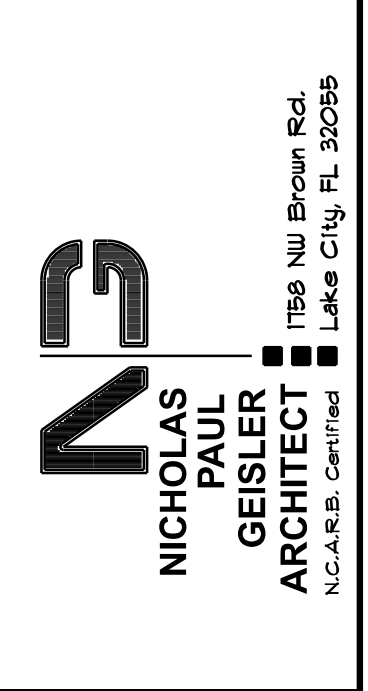


REVISIONS
Dec. 21st, 2023

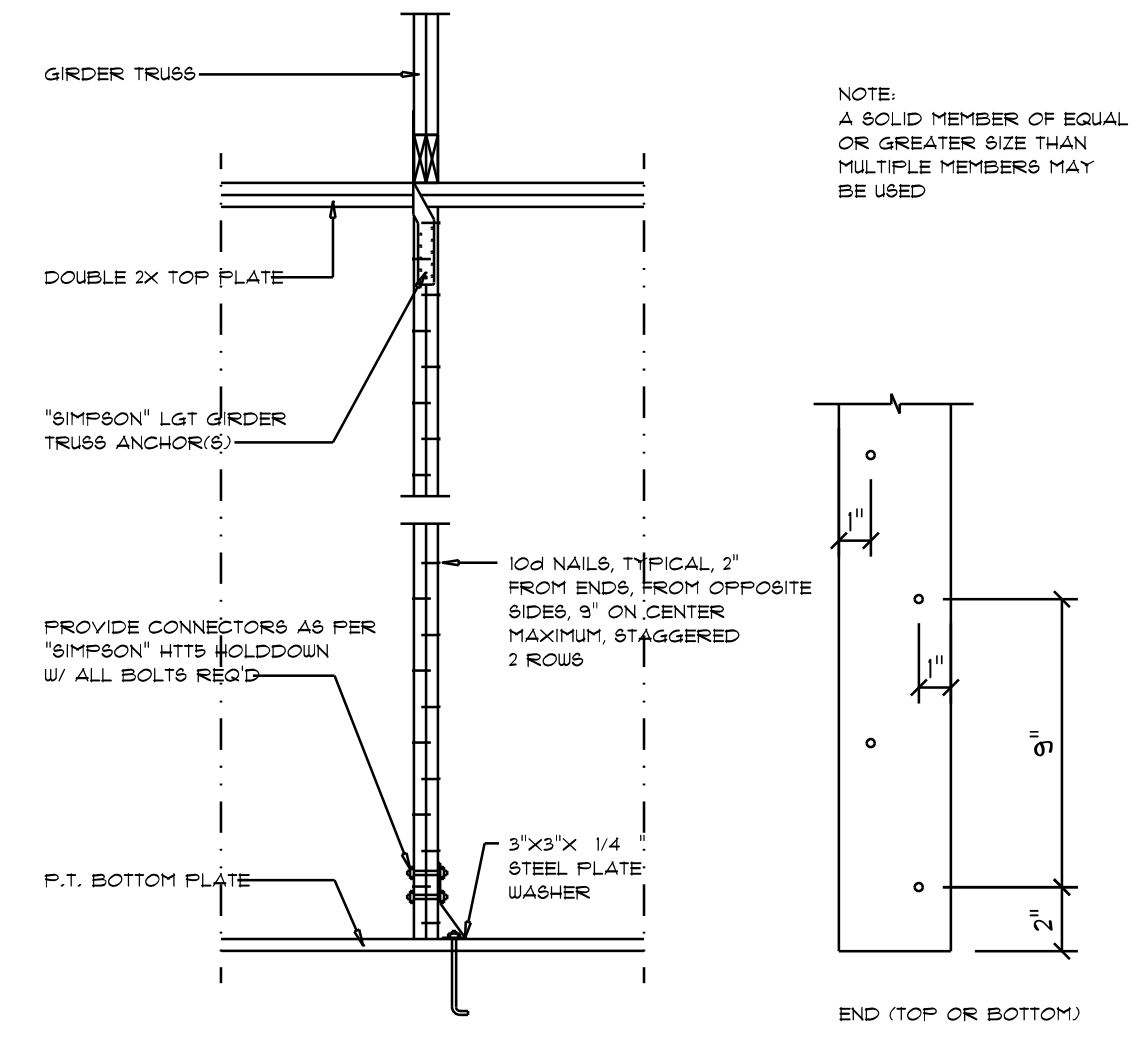


CUSTOM HOME FOR:  
**NELSON RESIDENCE**  
COLUMBIA COUNTY, FLORIDA



SHEET NUMBER  
**S.4**  
OF 4 SHEETS

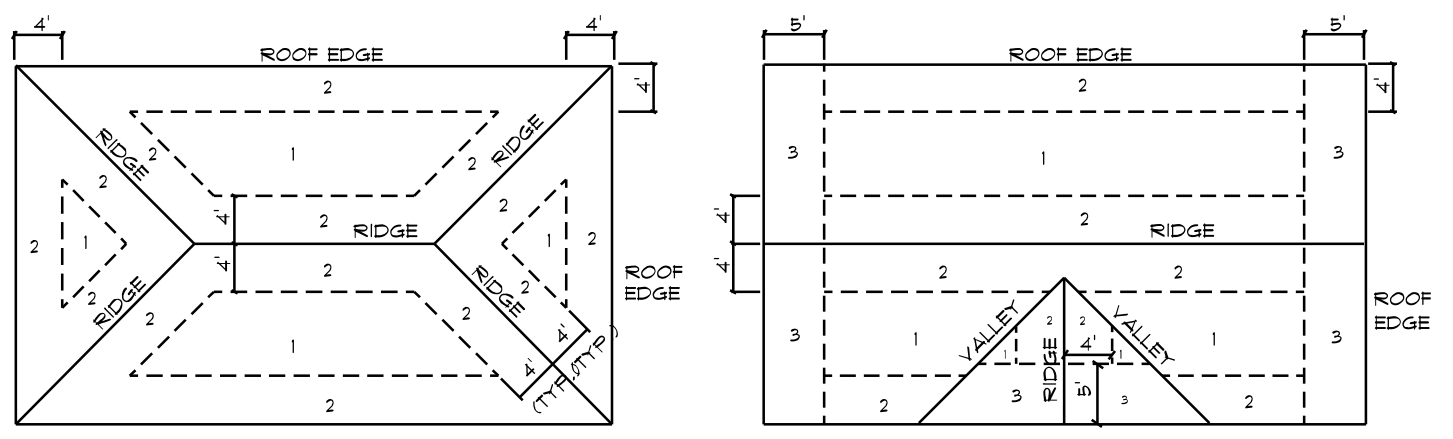
N. P. GEISLER  
AR0007005  
Digitally signed by N. P. GEISLER  
DN: cn = N. P. GEISLER email =  
ngeisler47@gmail.com c = US o =  
ARCHITECT OU = AR0007005  
Date: 2023.04.12 10:52:02 -0500



**Girder Truss Column DET.**

SCALE: 1/2" = 1'-0"

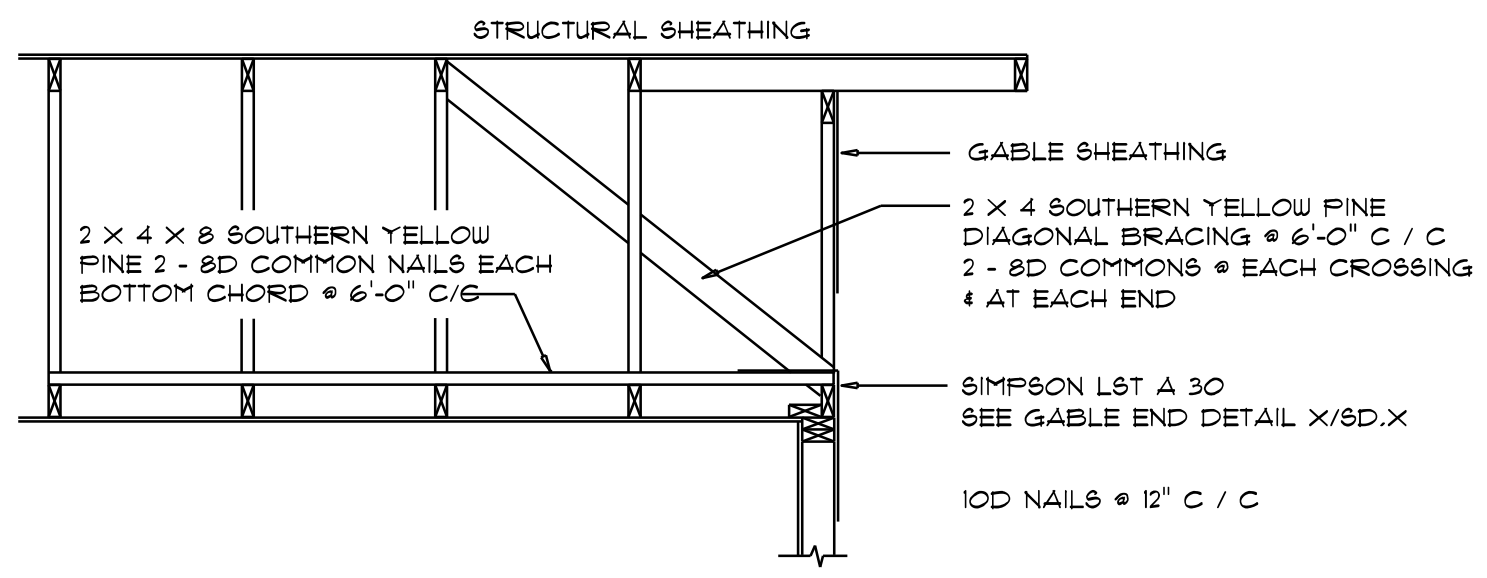
ROOF SHEATHING FASTENINGS			
NAILING ZONE	SHEATHING TYPE	FASTENER	SPACING
1			6 in. o.c. EDGE 12 in. o.c. FIELD
2	1/8" O.S.B. OR 15/32 CDX	115 RING SHANKED NAILS	6 in. o.c. EDGE 6 in. o.c. FIELD
3			4 in. o.c. GABLE ENDWALL OR GABLE TRUSS 6 in. o.c. EDGE 6 in. o.c. FIELD



ROOF SHEATHING NAILING ZONES (HIP ROOF) ROOF SHEATHING NAILING ZONES (GABLE ROOF)

**Roof Nail Pattern DET.**

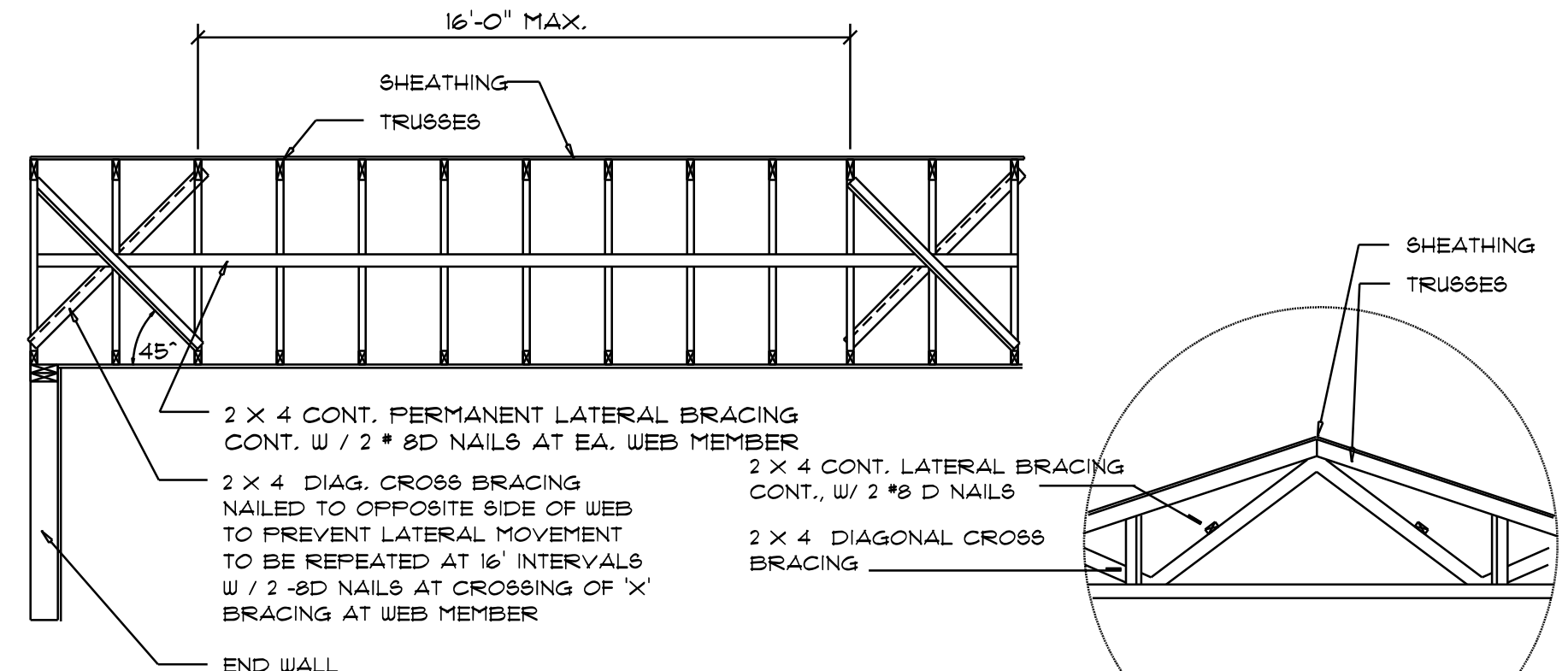
SCALE: NONE



**END WALL BRACING FOR CEILING DIAPHRAGM**

NTS (ALTERNATIVE TO BALLOON FRAMING)

NOTE: ALL WOOD TO BE NUMBER 2 GRADE SOUTHERN YELLOW PINE

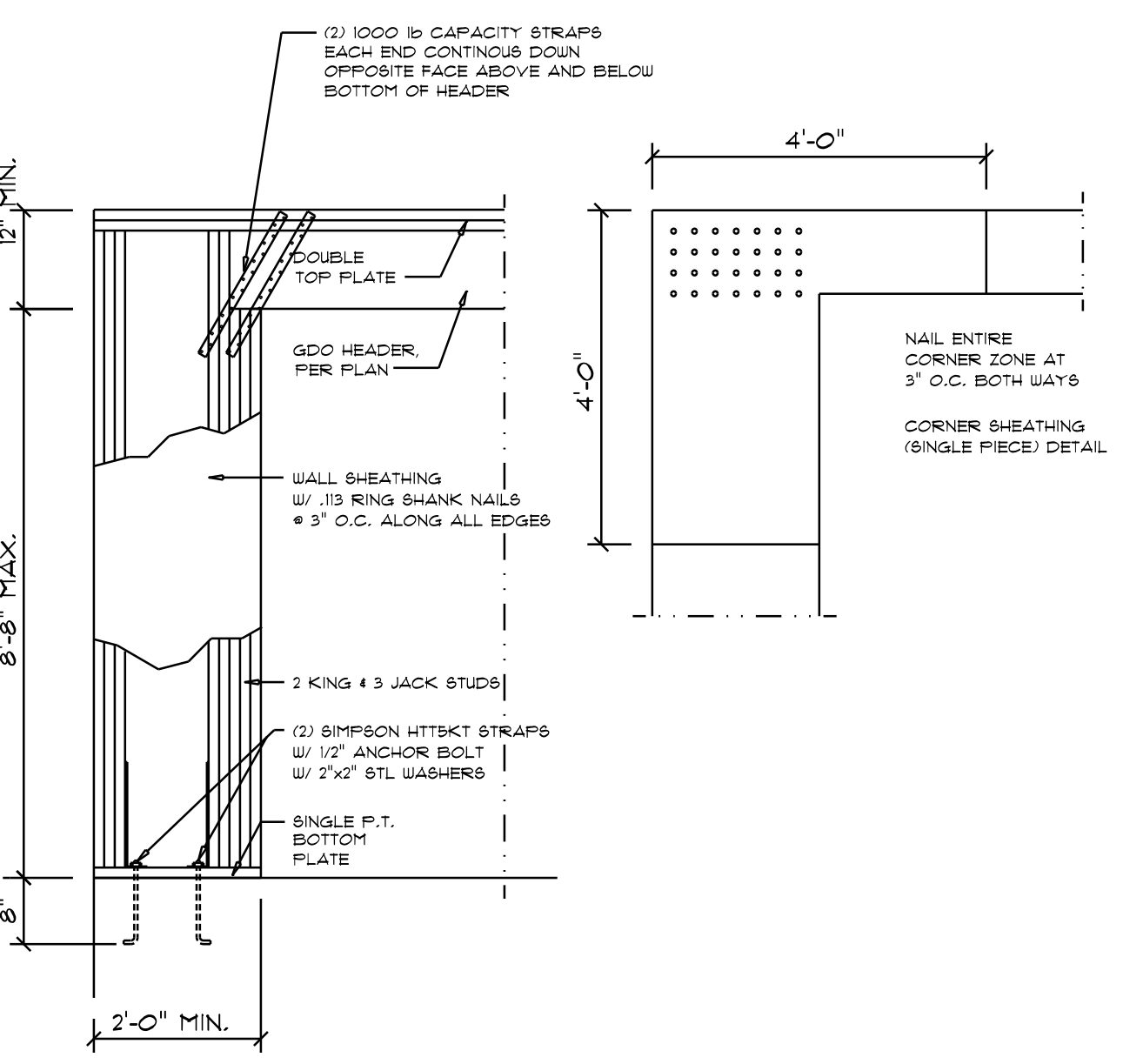


**TYP. PERMANENT TRUSS BRACING DIA.**

NTS NOTE: ALL WOOD TO BE NUMBER 2 GRADE SOUTHERN YELLOW PINE

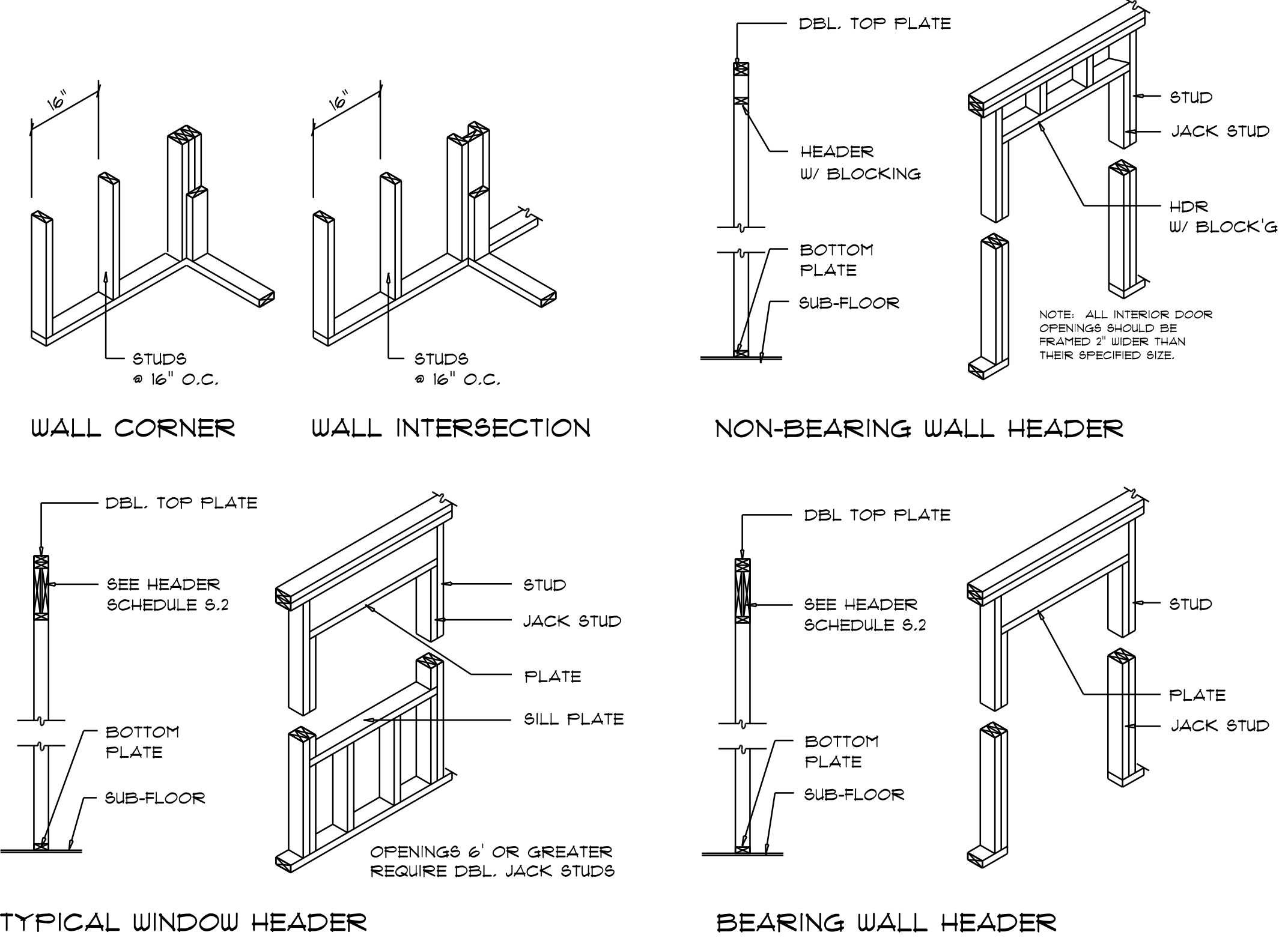
**Truss Bracing DETAILS**

SCALE: AS NOTED



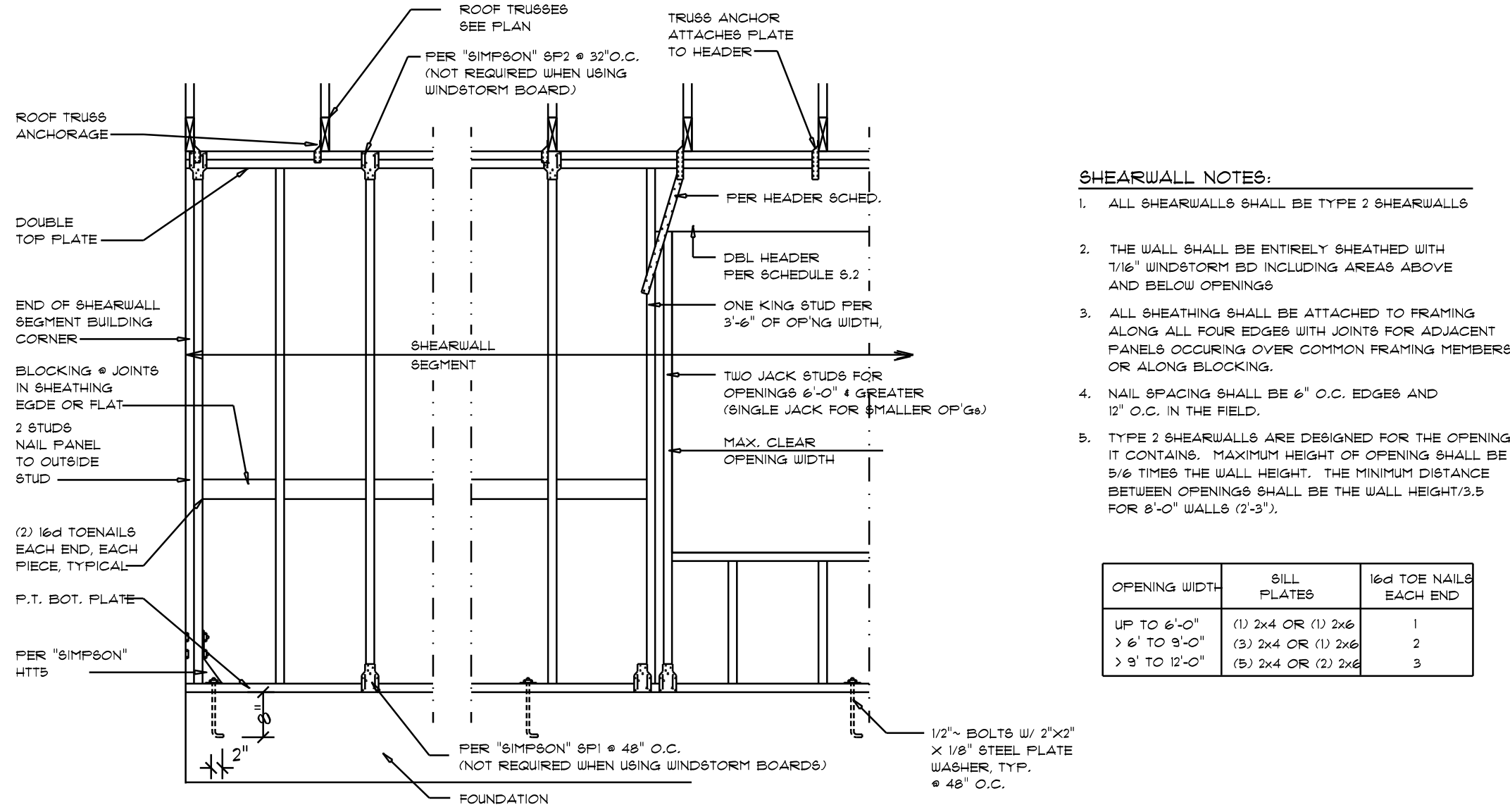
**Garage End Wall DETAILS**

SCALE: 1/2" = 1'-0"



**Wall Framing/Header DETAILS**

SCALE: NONE



**Shear Wall DETAILS**

SCALE: NONE

- SHEARWALL NOTES:**
- ALL SHEARWALLS SHALL BE TYPE 2 SHEARWALLS
  - THE WALL SHALL BE ENTIRELY SHEATHED WITH 1/8" WINDSTORM BD INCLUDING AREAS ABOVE AND BELOW OPENINGS
  - ALL SHEATHING SHALL BE ATTACHED TO FRAMING ALONG ALL FOUR EDGES WITH JOINTS FOR ADJACENT PANELS OCCURRING OVER COMMON FRAMING MEMBERS OR ALONG BLOCKING.
  - NAIL SPACING SHALL BE 6" O.C. EDGES AND 12" O.C. IN THE FIELD.
  - TYPE 2 SHEARWALLS ARE DESIGNED FOR THE OPENING IT CONTAINS. MAXIMUM HEIGHT OF OPENING SHALL BE 5/8 TIMES THE WALL HEIGHT. THE MINIMUM DISTANCE BETWEEN OPENINGS SHALL BE THE WALL HEIGHT/3.5 FOR 8'-0" WALLS (2'-3").

OPENING WIDTH	SILL PLATES	16d TOE NAILS EACH END
UP TO 6'-0"	(1) 2x4 OR (1) 2x6	1
> 6' TO 9'-0"	(3) 2x4 OR (1) 2x6	2
> 9' TO 12'-0"	(5) 2x4 OR (2) 2x6	3