

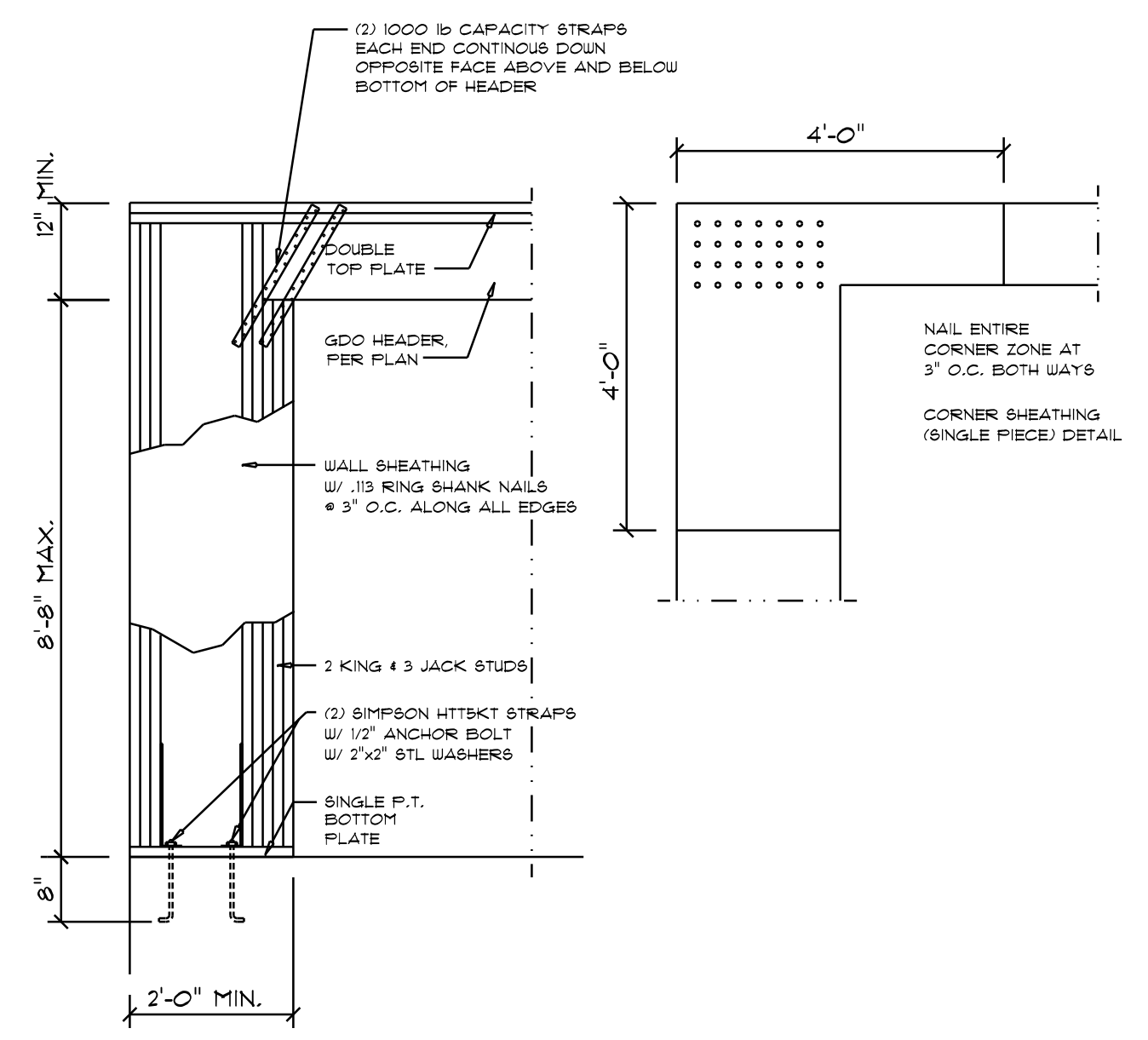
REVISIONS
Mar. 11th, 2026

CUSTOM HOME FOR:
STECKBECK RESIDENCE
 COLUMBIA COUNTY, FL

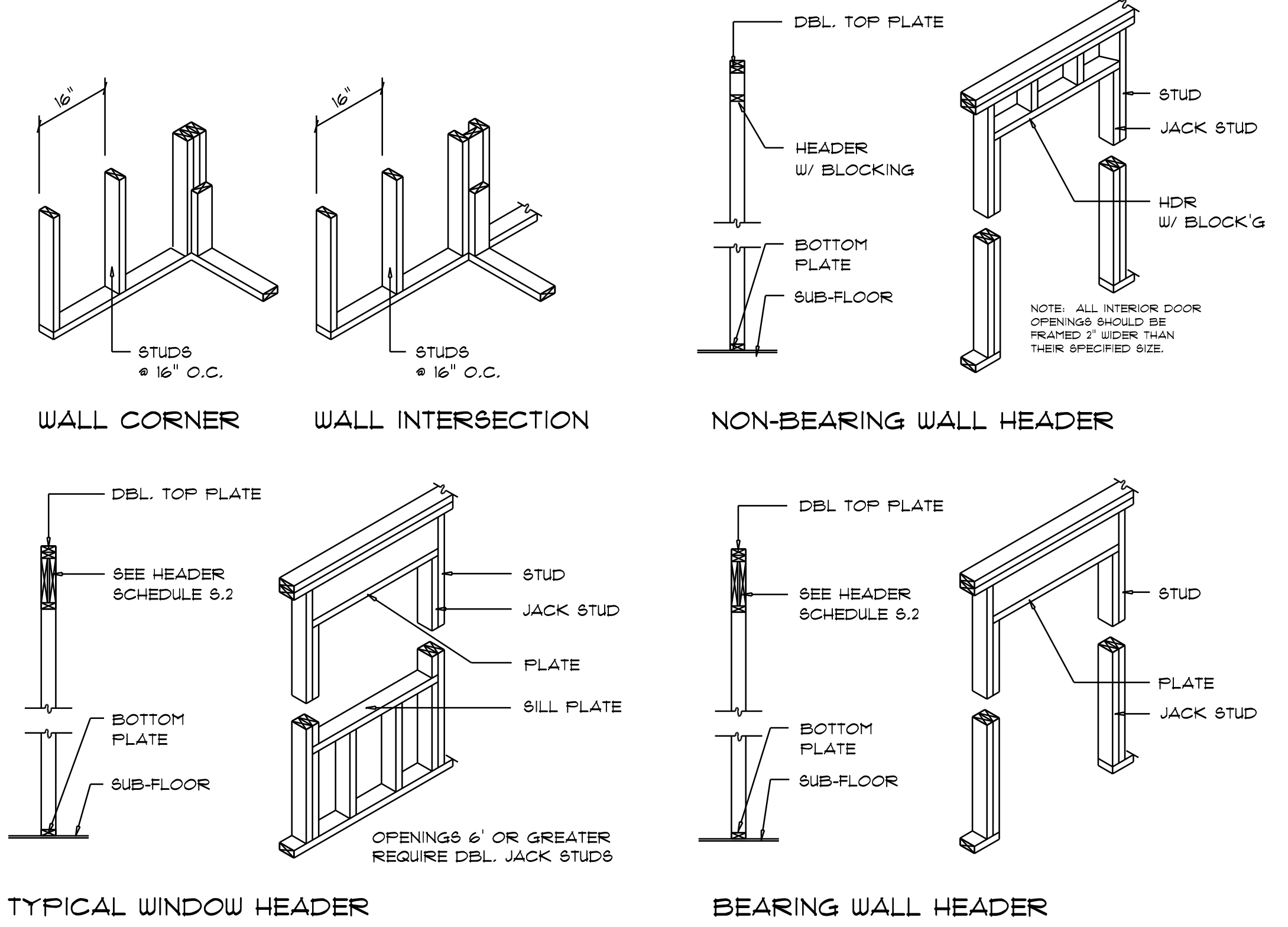
NICHOLAS PAUL GEISLER ARCHITECT
 N.C.A.R.B. Certified
 1158 NW Brown Rd.
 Lake City, FL 32055

SHEET NUMBER
S.4
 OF 4 SHEETS

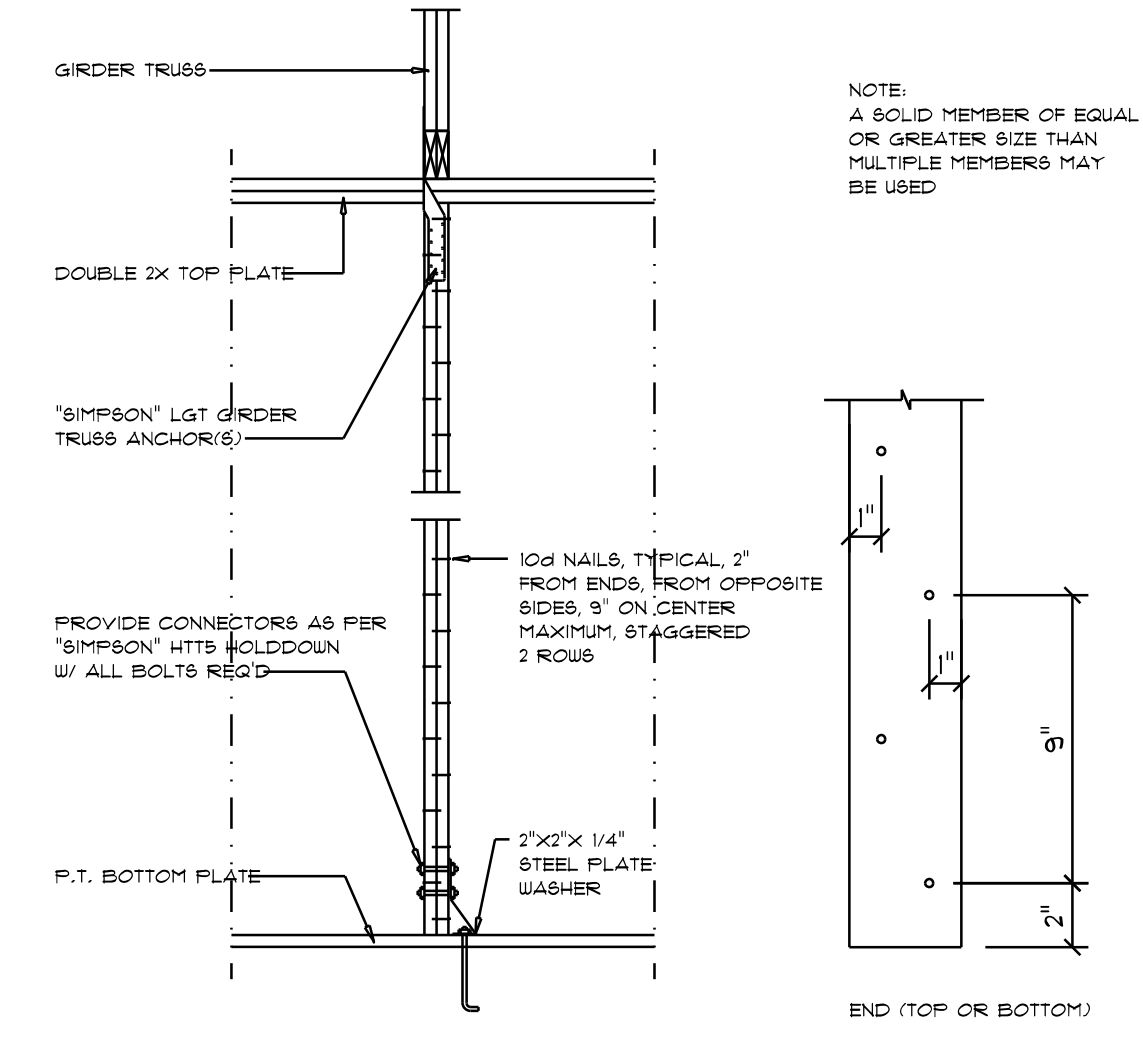
AR0007005



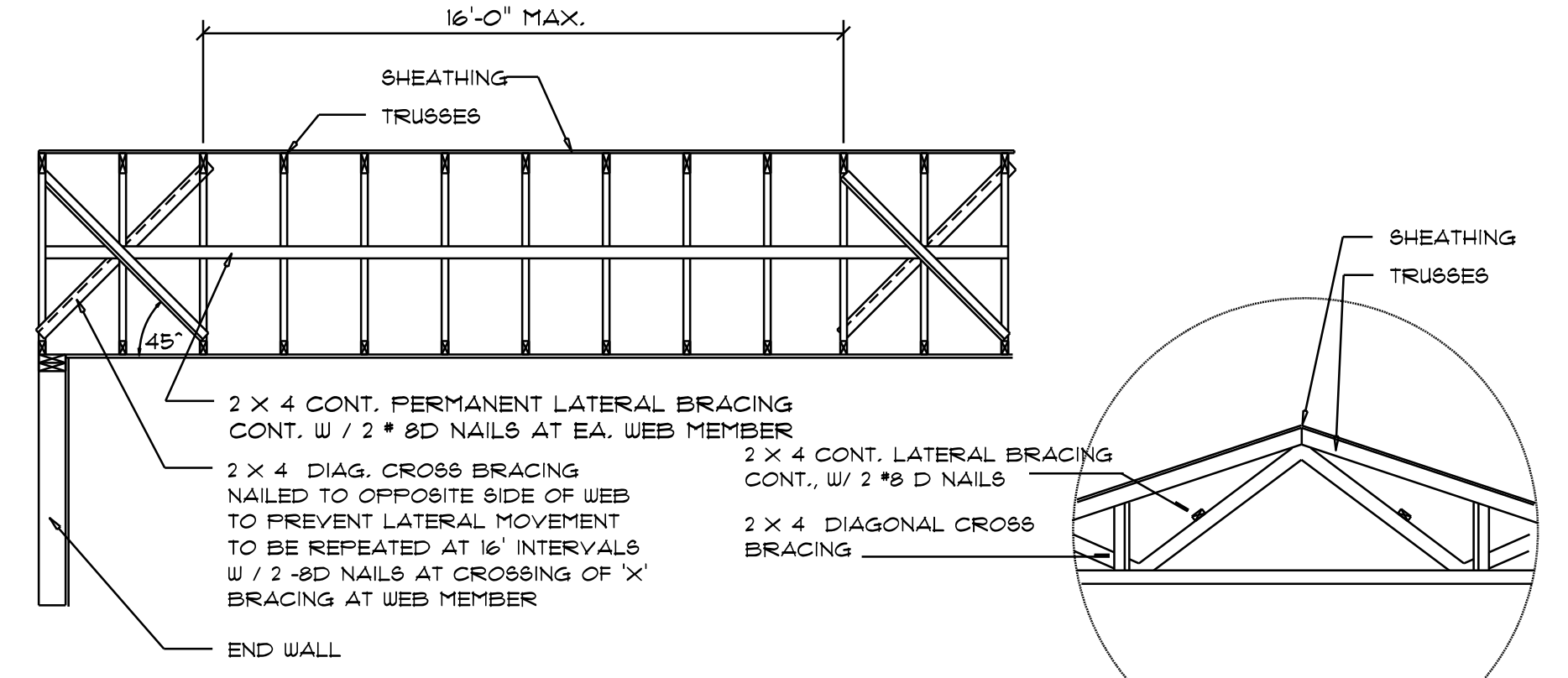
Garage End Wall DETAILS
 SCALE: 1/2" = 1'-0" **G**



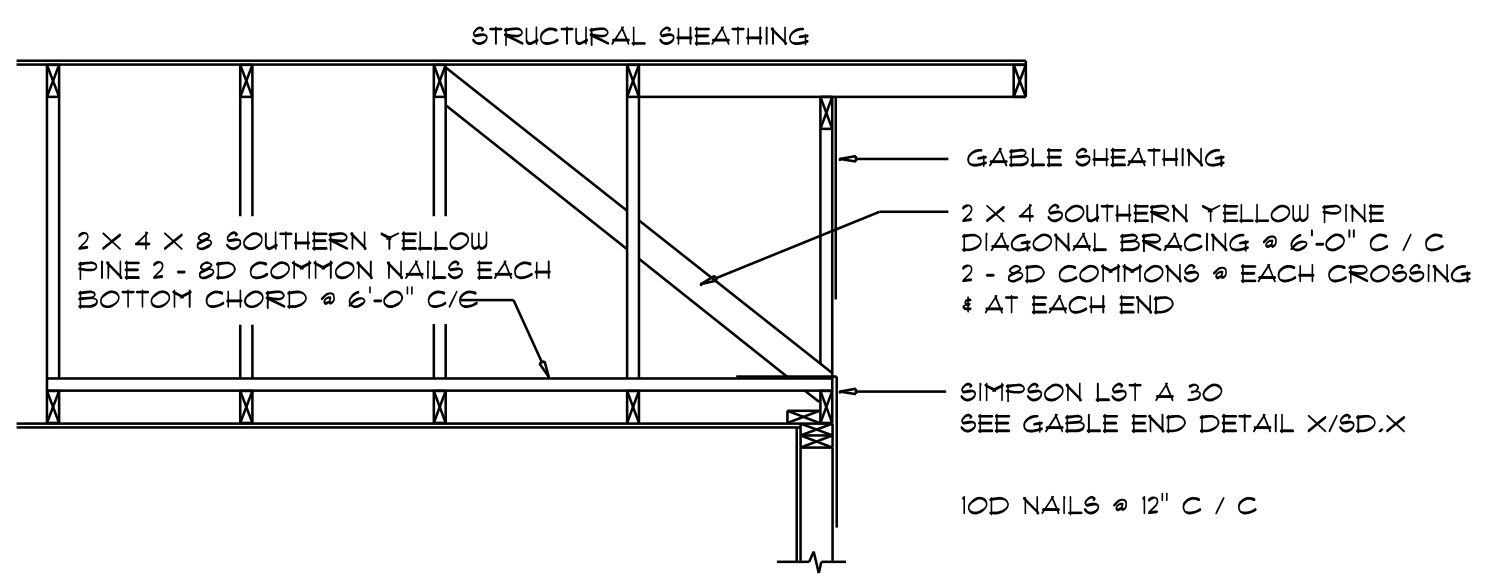
Wall Framing/Header DETAILS
 SCALE: NONE **F**



Girder Truss Column DET.
 SCALE: 1/2" = 1'-0" **C**

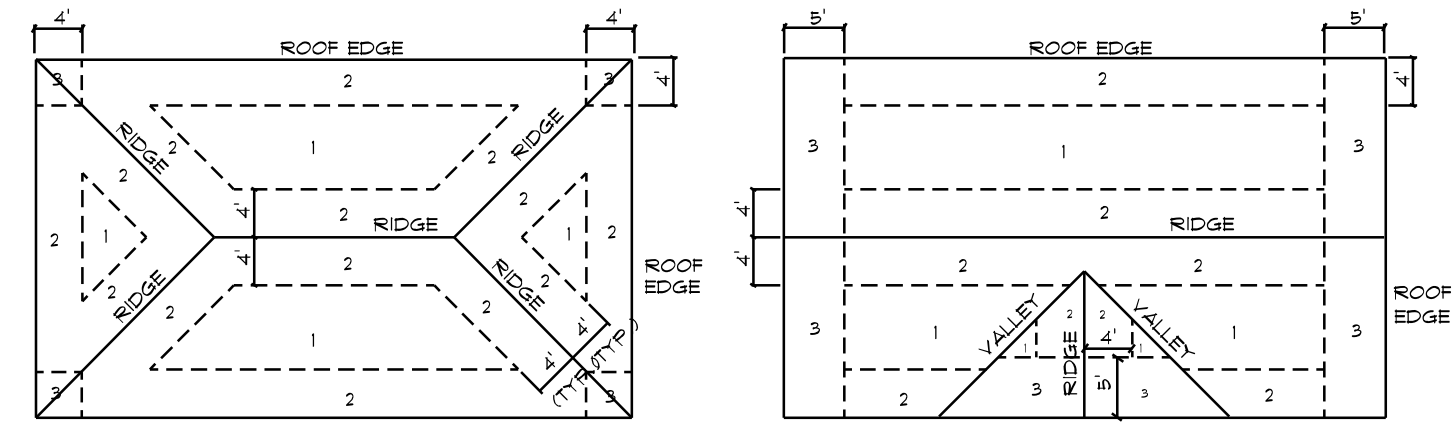


Typ. Permanent Truss Bracing DIA. NTs
 NOTE: ALL WOOD TO BE NUMBER 2 GRADE SOUTHERN YELLOW PINE
Truss Bracing DETAILS
 SCALE: AS NOTED **D**

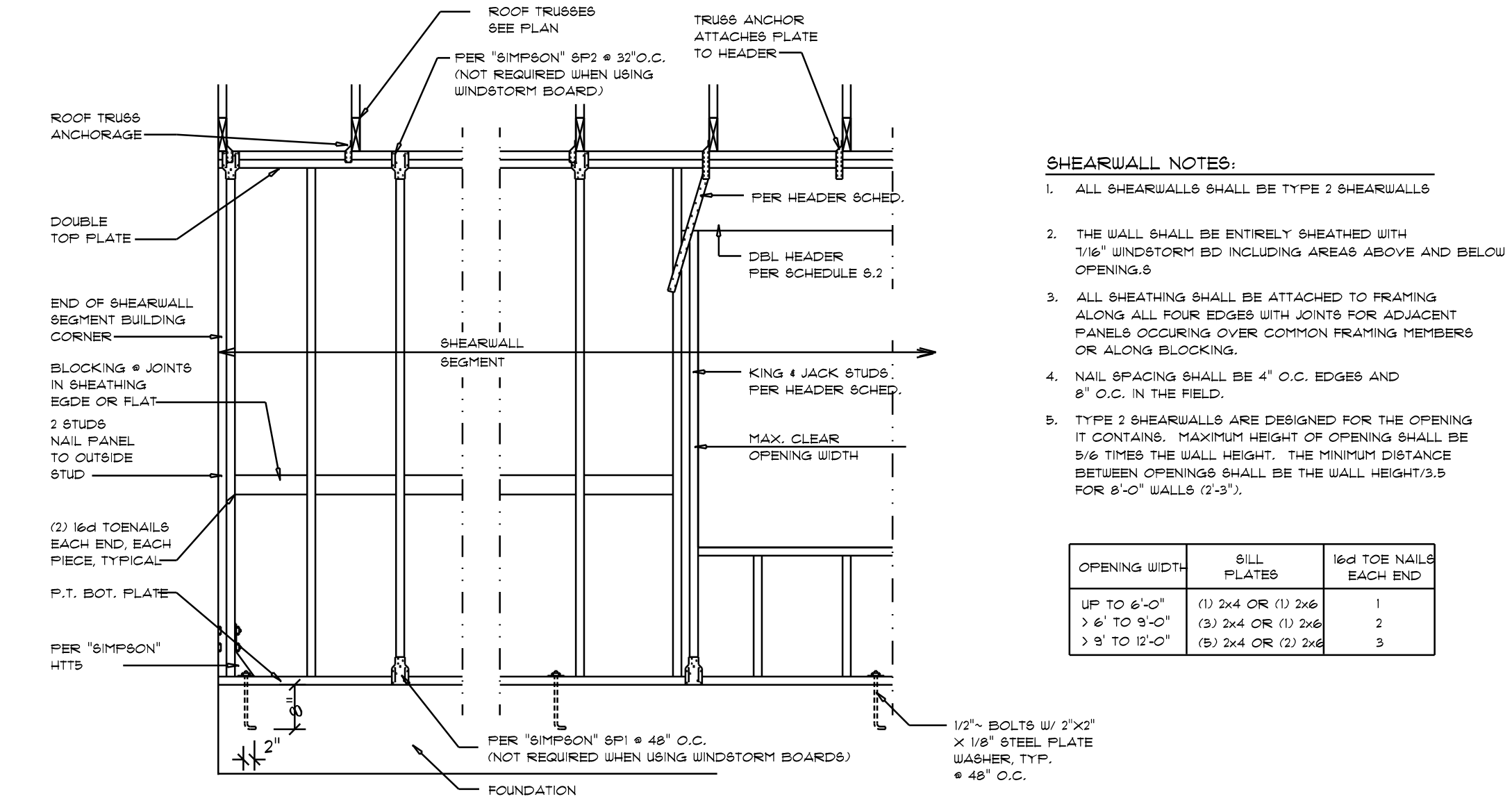


END WALL BRACING FOR CEILING DIAPHRAGM
 NTs (ALTERNATIVE TO BALLOON FRAMING)
 NOTE: ALL WOOD TO BE NUMBER 2 GRADE SOUTHERN YELLOW PINE **A**

ROOF SHEATHING FASTENINGS			
NAILING ZONE	SHEATHING TYPE	FASTENER	SPACING
1	1/8" O.S.B. OR 15/32 CDX	2 1/2"x0.131" RING SHANK NAILS	6 in. o.c. EDGE
2		OR	6 in. o.c. FIELD
3	3"x0.120" RING SHANK NAILS	OR	6 in. o.c. FIELD
5		4 in. o.c. @ GABLE ENDWALL OR GABLE TRUSS	6 in. o.c. EDGE
			6 in. o.c. FIELD



Roof Nail Pattern DET.
 SCALE: NONE **B**



Shear Wall DETAILS
 SCALE: NONE **E**

- SHEARWALL NOTES:**
- ALL SHEARWALLS SHALL BE TYPE 2 SHEARWALLS
 - THE WALL SHALL BE ENTIRELY SHEATHED WITH 1/8" WINDSTORM BD INCLUDING AREAS ABOVE AND BELOW OPENING(S)
 - ALL SHEATHING SHALL BE ATTACHED TO FRAMING ALONG ALL FOUR EDGES WITH JOINTS FOR ADJACENT PANELS OCCURRING OVER COMMON FRAMING MEMBERS OR ALONG BLOCKING
 - NAIL SPACING SHALL BE 4" O.C. EDGES AND 8" O.C. IN THE FIELD.
 - TYPE 2 SHEARWALLS ARE DESIGNED FOR THE OPENING IT CONTAINS. MAXIMUM HEIGHT OF OPENING SHALL BE 5/8 TIMES THE WALL HEIGHT. THE MINIMUM DISTANCE BETWEEN OPENINGS SHALL BE THE WALL HEIGHT/3.5 FOR 8'-0" WALLS (2-3').

OPENING WIDTH	SILL PLATES	16d TOE NAILS EACH END
UP TO 6'-0"	(1) 2x4 OR (1) 2x6	1
> 6' TO 8'-0"	(3) 2x4 OR (1) 2x6	2
> 8' TO 12'-0"	(5) 2x4 OR (2) 2x6	3

THIS DOCUMENT HAS BEEN DIGITALLY SIGNED AND SEALED. PRINTED COPIES OF THIS DOCUMENT ARE NOT CONSIDERED SIGNED AND SEALED. THE SIGNATURE MUST BE VERIFIED ON ANY ELECTRONIC COPIES OF THIS DOCUMENT