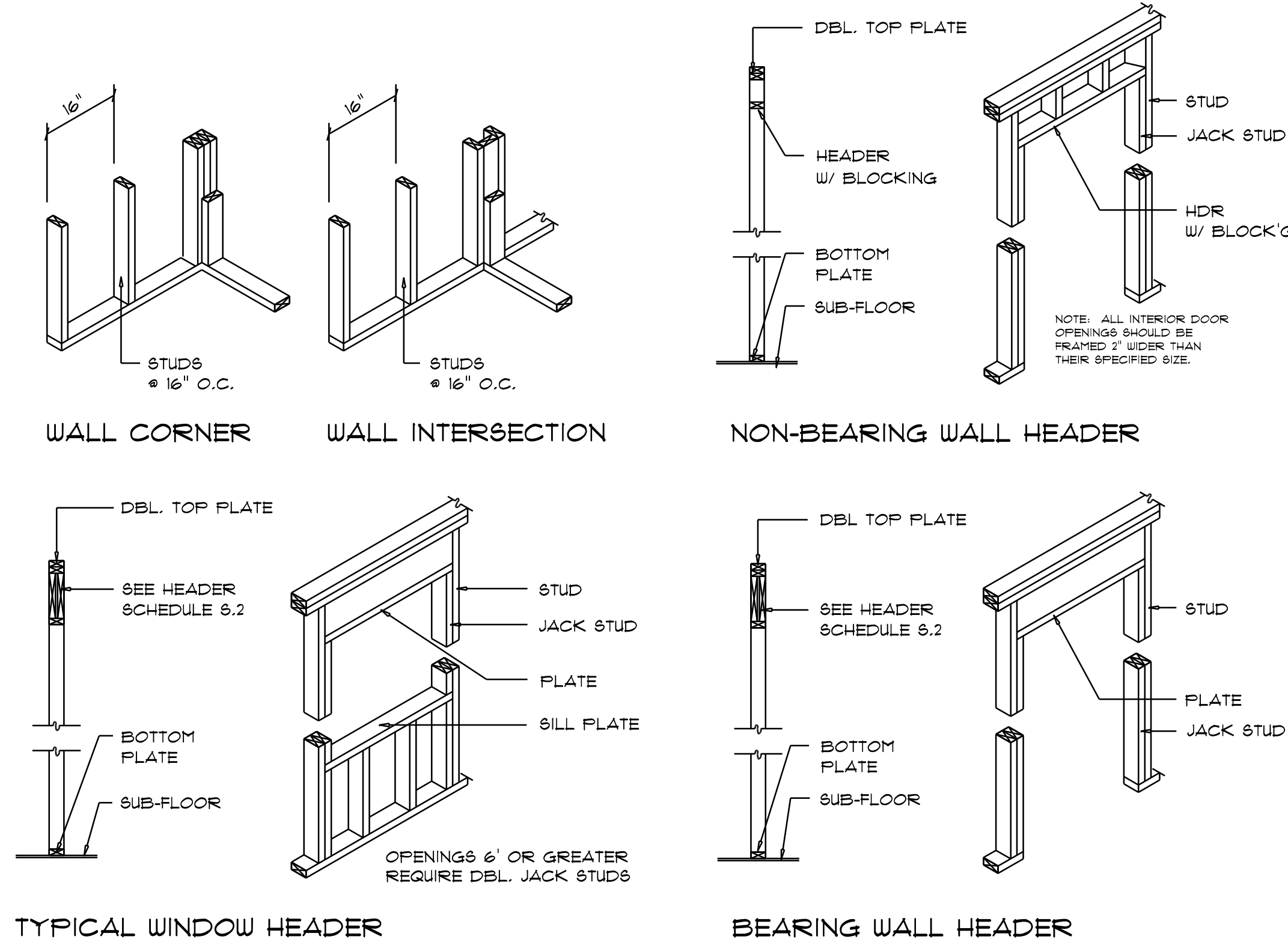


Garage End Wall DETAILS

SCALE: 1/2" = 1'-0"

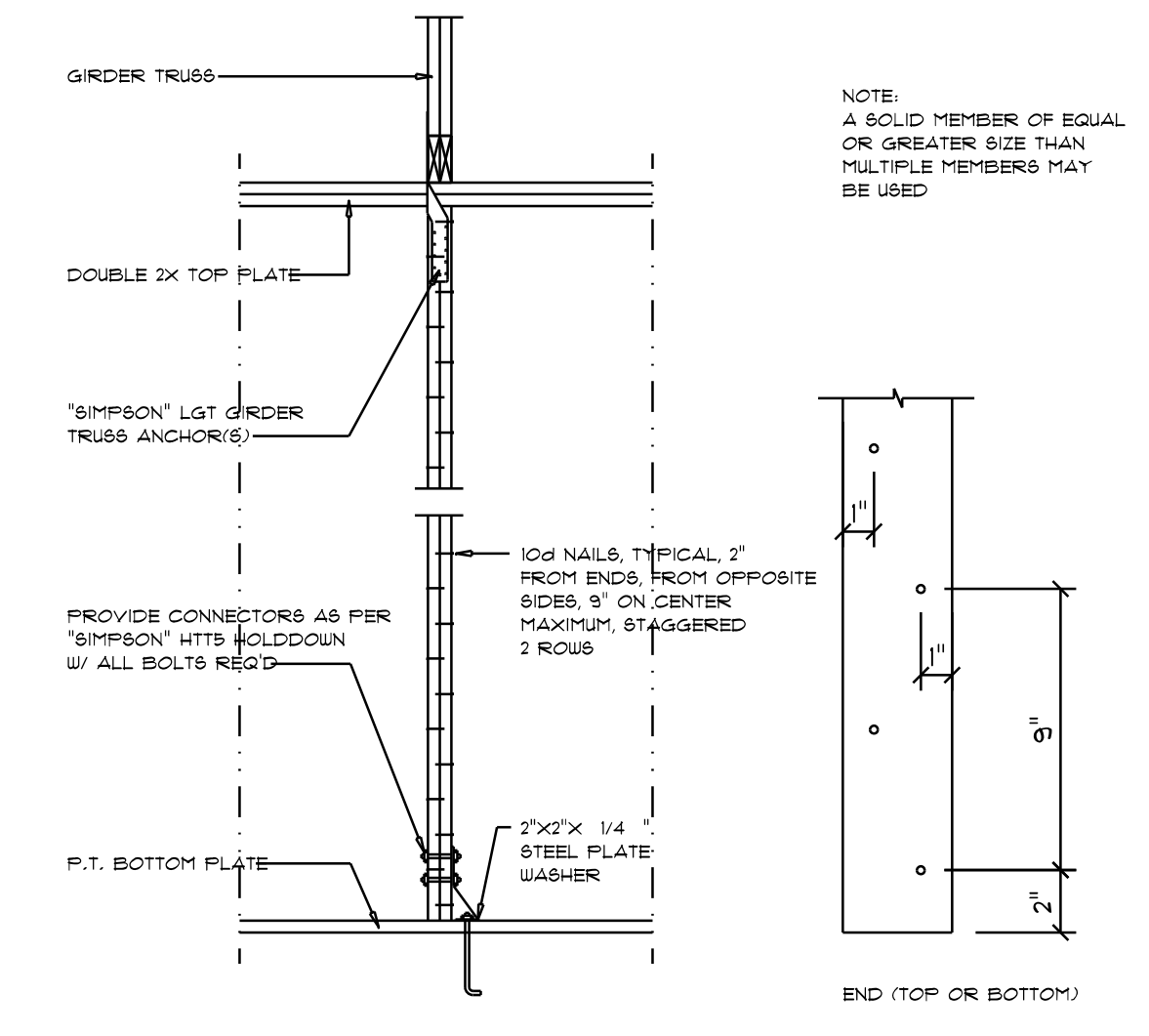
G



Wall Framing/Header DETAILS

SCALE: NONE

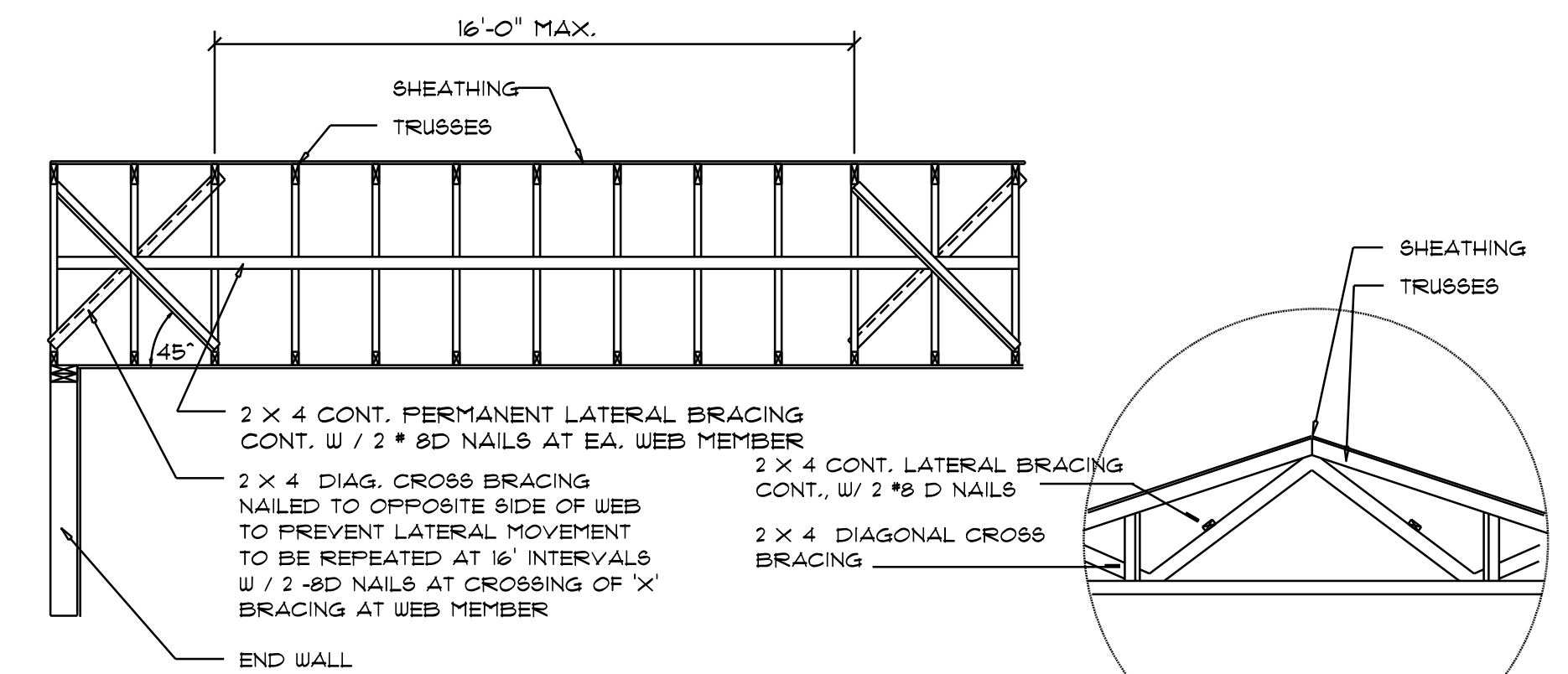
F



Girder Truss Column DET.

SCALE: 1/2" = 1'-0"

C



TYP. PERMANENT TRUSS BRACING DIA.

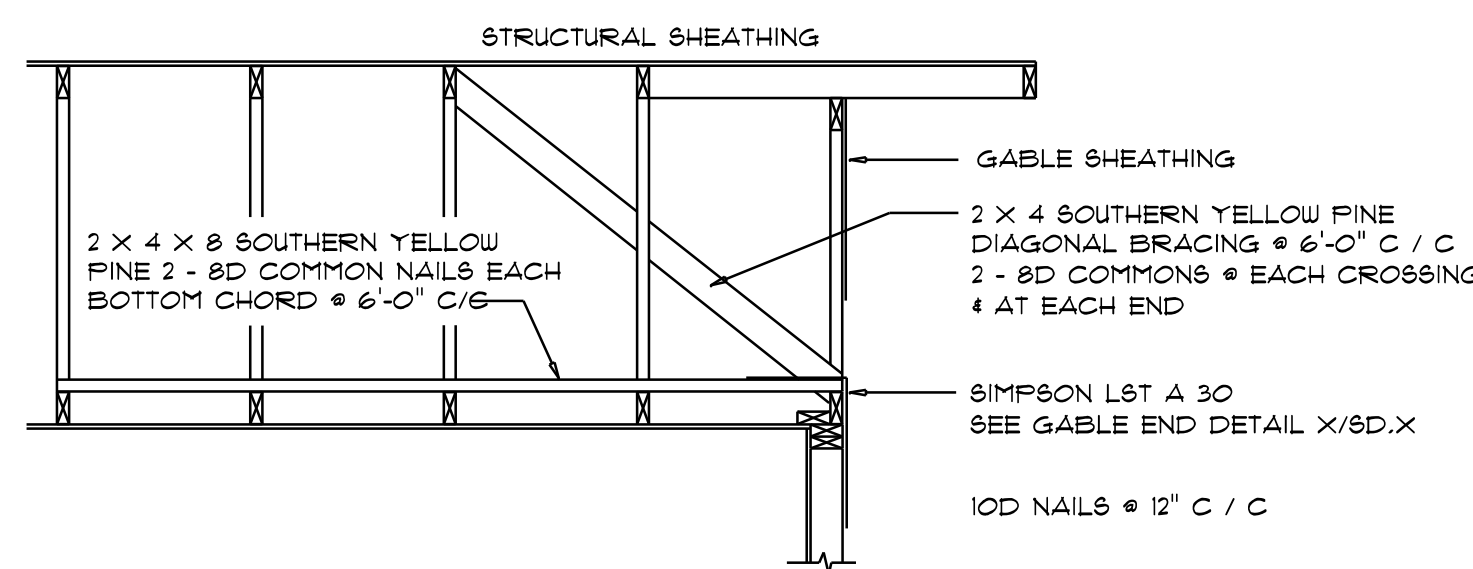
NTS

NOTE: ALL WOOD TO BE NUMBER 2 GRADE SOUTHERN YELLOW PINE

Truss Bracing DETAILS

SCALE: AS NOTED

D



END WALL BRACING FOR CEILING DIAPHRAGM

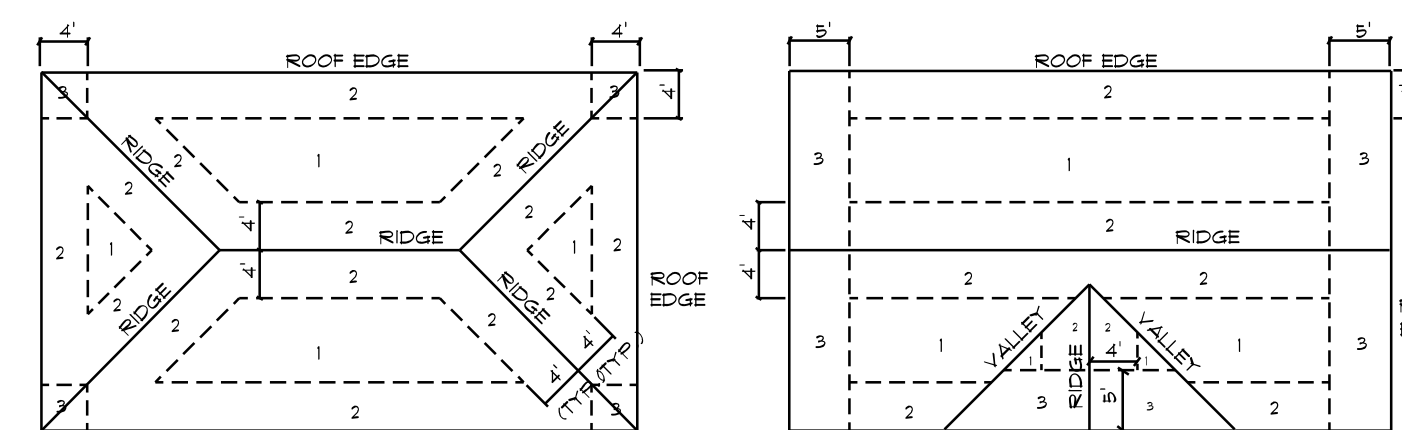
NTS

(ALTERNATIVE TO BALLOON FRAMING)

NOTE: ALL WOOD TO BE NUMBER 2 GRADE SOUTHERN YELLOW PINE

A

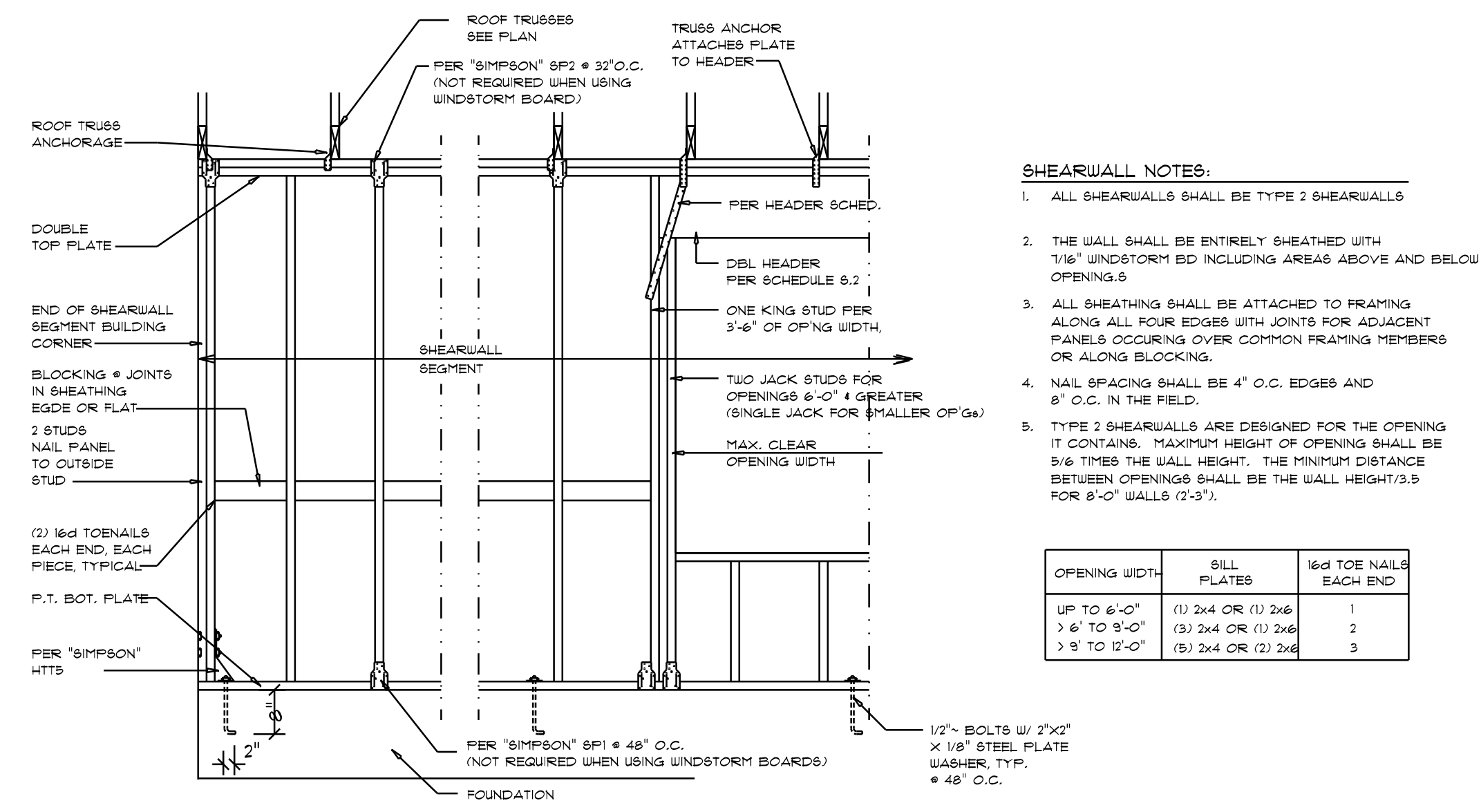
ROOF SHEATHING FASTENINGS			
NAILING ZONE	SHEATHING TYPE	FASTENER	SPACING
1		6 in. o.c. EDGE & 16 in. o.c. FIELD	
2	1/8" O.R.B. OR 15/32 CDX	2 1/2"x0.131" RING SHANK NAILS OR 3"x0.120" RING SHANK NAILS	6 in. o.c. EDGE & 16 in. o.c. FIELD
3		4 in. o.c. GABLE ENDWALL OR GABLE TRUSS & 16 in. o.c. EDGE & 16 in. o.c. FIELD	



Roof Nail Pattern DET.

SCALE: NONE

B



SHEARWALL NOTES:

- ALL SHEARWALLS SHALL BE TYPE 2 SHEARWALLS
- THE WALL SHALL BE ENTIRELY SHEATHED WITH 1/8" WINDSTORM BD INCLUDING AREAS ABOVE AND BELOW OPENINGS
- ALL SHEATHING SHALL BE ATTACHED TO FRAMING ALONG ALL FOUR EDGES WITH JOINTS FOR ADJACENT PANELS OCCURRING OVER COMMON FRAMING MEMBERS OR ALONG BLOCKING
- NAIL SPACING SHALL BE 4" O.C. EDGES AND 8" O.C. IN THE FIELD.
- TYPE 2 SHEARWALLS ARE DESIGNED FOR THE OPENING IT CONTAINS. MAXIMUM HEIGHT OF OPENING SHALL BE 5/8 TIMES THE WALL HEIGHT. THE MINIMUM DISTANCE BETWEEN OPENINGS SHALL BE THE WALL HEIGHT/3.5 FOR 8'-0" WALLS (2'-3").

OPENING WIDTH	BILL PLATES	16d TOE NAILS
UP TO 6'-0"	(1) 2x4 OR (1) 2x6	1
> 6' TO 9'-0"	(3) 2x4 OR (1) 2x6	2
> 9' TO 12'-0"	(5) 2x4 OR (2) 2x4	3

Shear Wall DETAILS

SCALE: NONE

E

THIS DOCUMENT HAS BEEN DIGITALLY SIGNED AND SEALED. PRINTED COPIES OF THIS DOCUMENT ARE NOT CONSIDERED SIGNED AND SEALED. THE SIGNATURE MUST BE VERIFIED ON ANY ELECTRONIC COPIES OF THIS DOCUMENT

REVISIONS
Sep. 11th, 2025

CUSTOM HOME FOR:
GARDNER RESIDENCE
COLUMBIA COUNTY, FL

NICHOLAS PAUL GEISLER ARCHITECT
N.C.A.R.B. Certified
1758 NW Eglow Rd.
Lake City, FL 32055
(386) 755-5021

SHEET NUMBER
S.4
OF 4 SHEETS

AR0007005