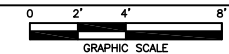


NOTE:
 APX ENGINEERING DID NOT PERFORM A SITE WALK FOR THIS PROJECT. ANY DISCREPANCIES FROM EXISTING CONDITIONS SHALL BE PROVIDED TO APX FOR REVIEW.

COMPOUND PLAN



1

REV	DATE	DESCRIPTION
A	4/28/25	PRELIMINARY
B	11/7/25	REVISED
C	11/20/25	REVISED
O	1/23/26	FOR PERMIT

APX PROJECT NO.:	25-0404.76
DRAWN BY:	O. JOHNSON
CHECKED BY:	M. ABBEY

THIS DRAWING IS COPYRIGHTED AND IS THE SOLE PROPERTY OF THE OWNER. IT IS PRODUCED SOLELY FOR USE BY THE OWNER AND ITS AFFILIATES. REPRODUCTION OR USE OF THIS DRAWING AND/OR THE INFORMATION CONTAINED IN IT IS FORBIDDEN WITHOUT THE WRITTEN PERMISSION OF THE OWNER.

1779 N UNIVERSITY DRIVE, SUITE 205
 PEMBROKE PINES, FL 33024
 (954) 744-1538
 CERTIFICATE OF AUTHORIZATION 31948

THIS ITEM HAS BEEN DIGITALLY SIGNED AND SEALED BY MICHAEL A. PHILLIPS, P.E. ON THE DATE ADJACENT TO THE SEAL.

SIGNATURE MUST BE VERIFIED ON ANY ELECTRONIC COPIES.

FORT WHITE
 FIXED ASSET: 10091912
 612 SW HILLIARD LANE
 FORT WHITE, FL 32038

SHEET NAME	COMPOUND PLAN
SHEET NUMBER	C1

REV	DATE	DESCRIPTION
A	4/28/25	PRELIMINARY
B	11/7/25	REVISED
C	11/20/25	REVISED
O	1/23/26	FOR PERMIT

APX PROJECT NO.:	25-0404.76
DRAWN BY:	O. JOHNSON
CHECKED BY:	M. ABBEY

THIS DRAWING IS COPYRIGHTED AND IS THE SOLE PROPERTY OF THE OWNER. IT IS PRODUCED SOLELY FOR USE BY THE OWNER AND ITS AFFILIATES. REPRODUCTION OR USE OF THIS DRAWING AND/OR THE INFORMATION CONTAINED IN IT IS FORBIDDEN WITHOUT THE WRITTEN PERMISSION OF THE OWNER.



1779 N UNIVERSITY DRIVE, SUITE 205
PEMBROKE PINES, FL 33024
(954) 744-1538

CERTIFICATE OF AUTHORIZATION 31948



AT&T

THIS ITEM HAS BEEN DIGITALLY SIGNED AND SEALED BY MICHAEL A. PHILLIPS, P.E. ON THE DATE ADJACENT TO THE SEAL.

SIGNATURE MUST BE VERIFIED ON ANY ELECTRONIC COPIES.

FORT WHITE

FIXED ASSET: 10091912

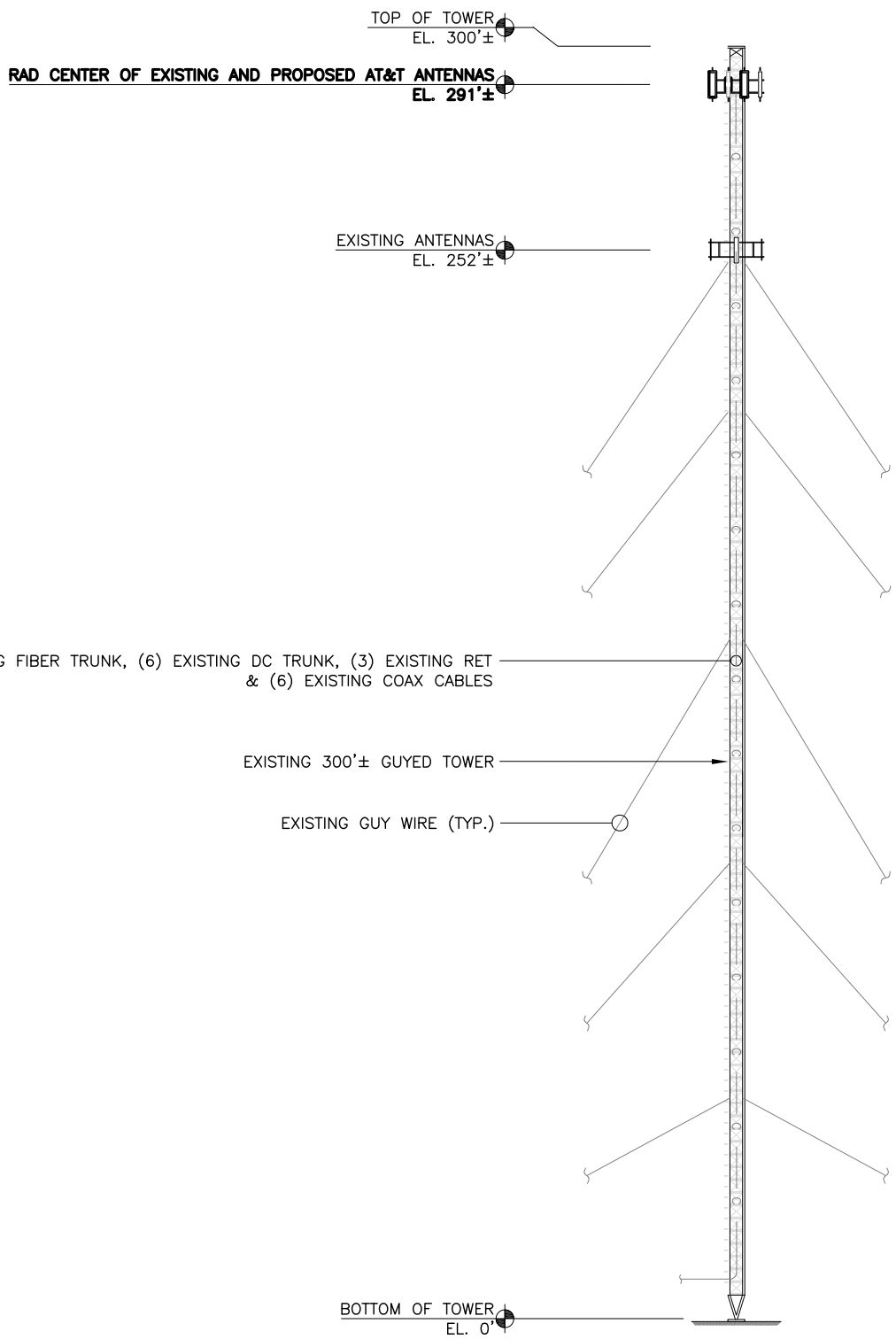
612 SW HILLIARD LANE
FORT WHITE, FL 32038

SHEET NAME

ELEVATION AND
ANTENNA PLANS

SHEET NUMBER

C3



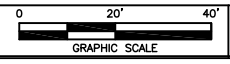
(3) EXISTING FIBER TRUNK, (6) EXISTING DC TRUNK, (3) EXISTING RET & (6) EXISTING COAX CABLES

EXISTING 300± GUYED TOWER

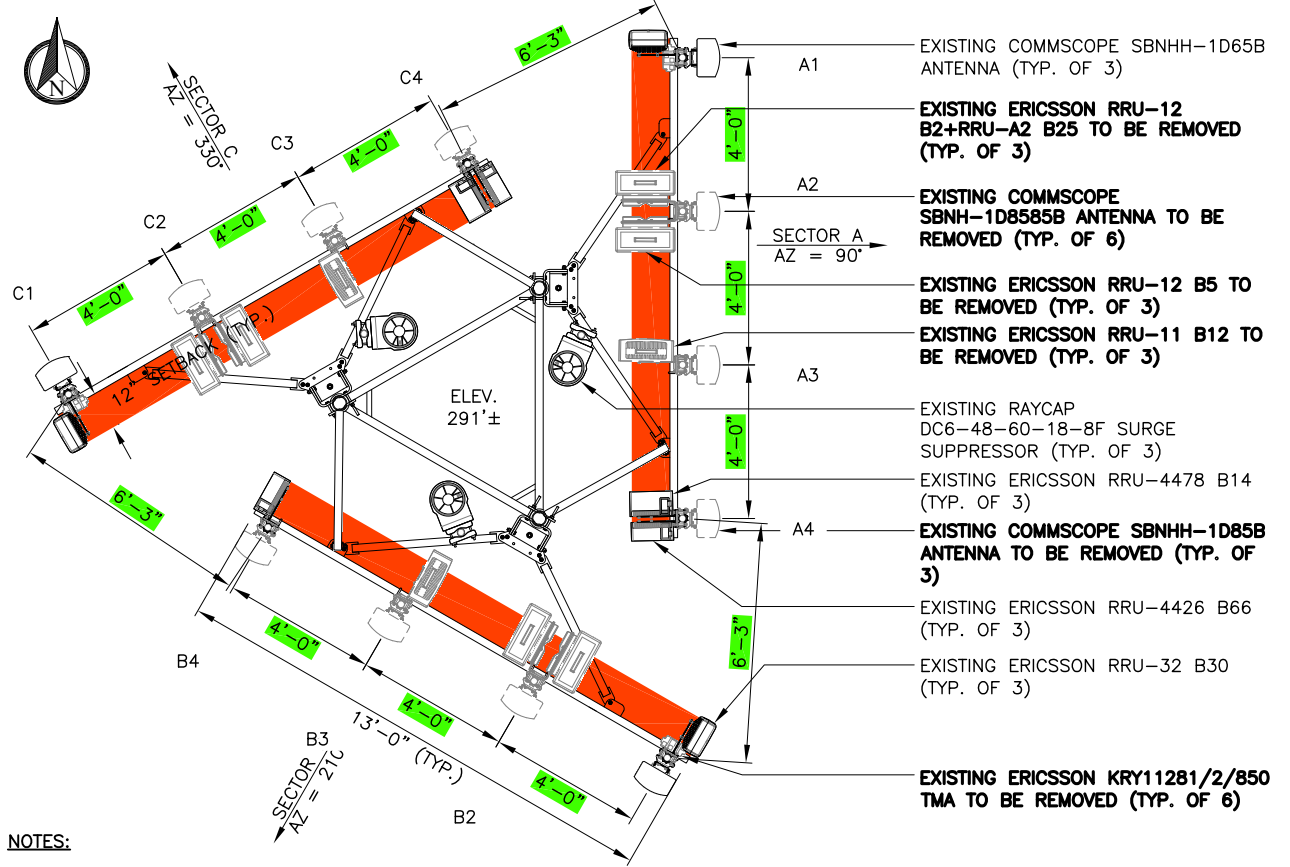
EXISTING GUY WIRE (TYP.)

NOTE:
THIS DRAWING IS INTENDED TO DEPICT THE GENERAL LOCATION AND HEIGHT OF THE PROPOSED ANTENNAS ON THE EXISTING TOWER. CONSTRUCTION SHALL NOT PROCEED UNTIL A STRUCTURAL ANALYSIS REPORT HAS BEEN COMPLETED BY A PROFESSIONAL ENGINEER REGISTERED IN THIS STATE, CONCLUDING THAT THE EXISTING TOWER IS STRUCTURALLY ADEQUATE TO RESIST THE EXISTING AND PROPOSED LOADS.

ELEVATION



1



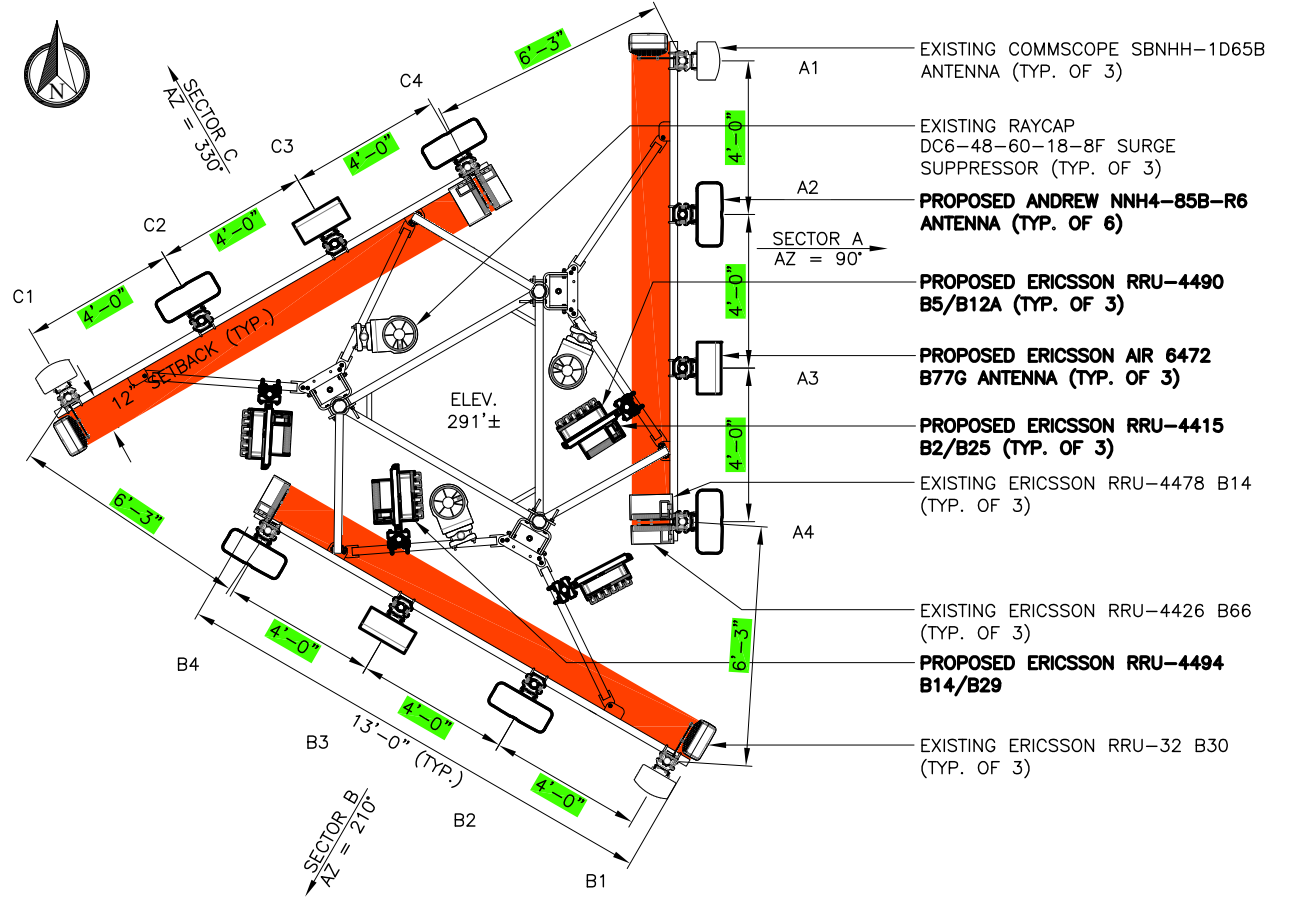
NOTES:

APX ENGINEERING DID NOT PERFORM A SITE WALK FOR THIS PROJECT. ANY DISCREPANCIES FROM EXISTING CONDITIONS SHALL BE PROVIDED TO APX FOR REVIEW.

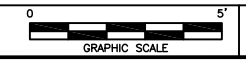
EXISTING ANTENNA PLAN



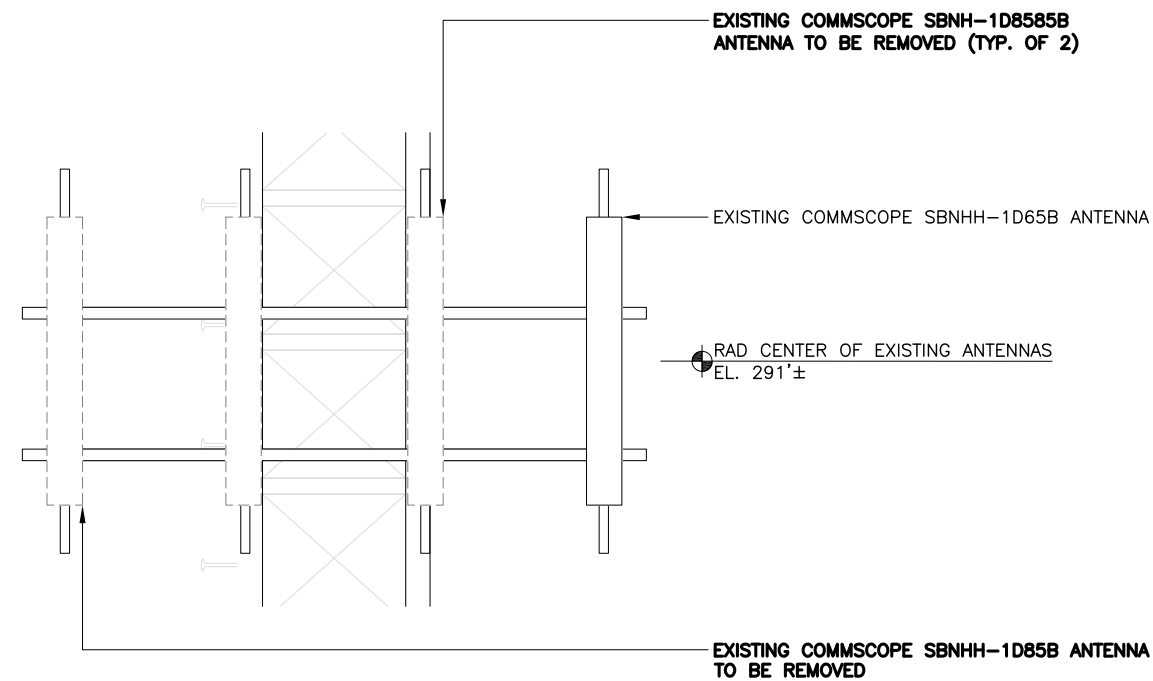
2



PROPOSED ANTENNA PLAN

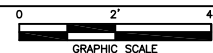


3

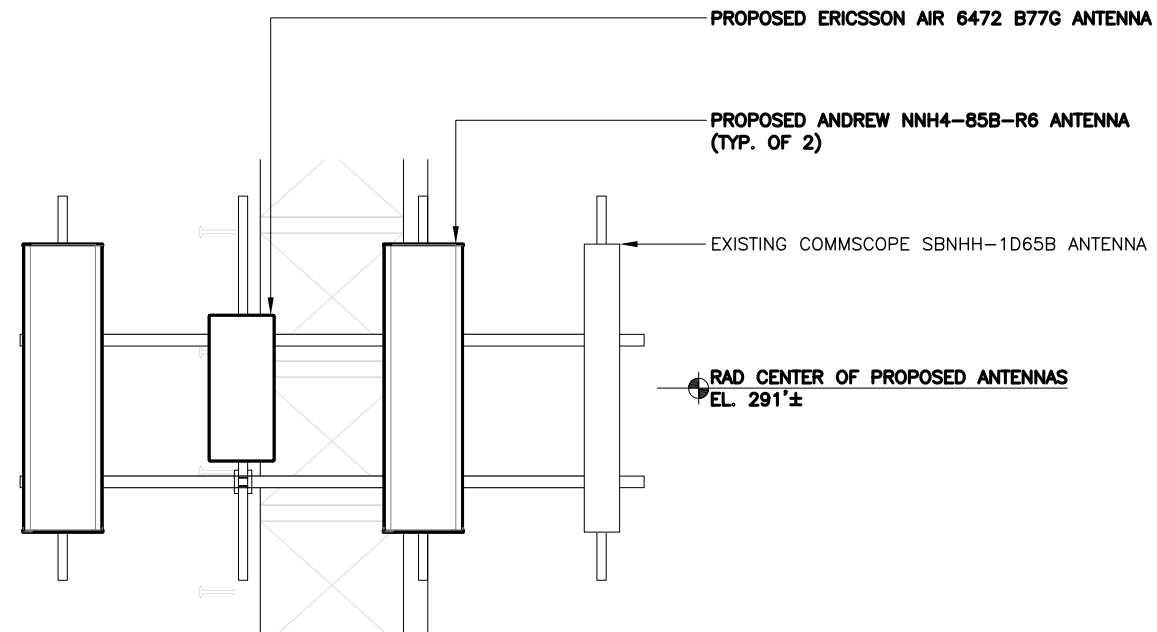


NOTES:
 APX ENGINEERING DID NOT PERFORM A SITE WALK FOR THIS PROJECT. ANY DISCREPANCIES FROM EXISTING CONDITIONS SHALL BE PROVIDED TO APX FOR REVIEW.

EXISTING ANTENNA ELEVATION



1



1
C5

PROPOSED ANTENNA ELEVATION



2

(NOT USED)

3 (NOT USED)

4

REV	DATE	DESCRIPTION
A	4/28/25	PRELIMINARY
B	11/7/25	REVISED
C	11/20/25	REVISED
O	1/23/26	FOR PERMIT

APX PROJECT NO.:	25-0404.76
DRAWN BY:	O. JOHNSON
CHECKED BY:	M. ABBEY

THIS DRAWING IS COPYRIGHTED AND IS THE SOLE PROPERTY OF THE OWNER. IT IS PRODUCED SOLELY FOR USE BY THE OWNER AND ITS AFFILIATES. REPRODUCTION OR USE OF THIS DRAWING AND/OR THE INFORMATION CONTAINED IN IT IS FORBIDDEN WITHOUT THE WRITTEN PERMISSION OF THE OWNER.

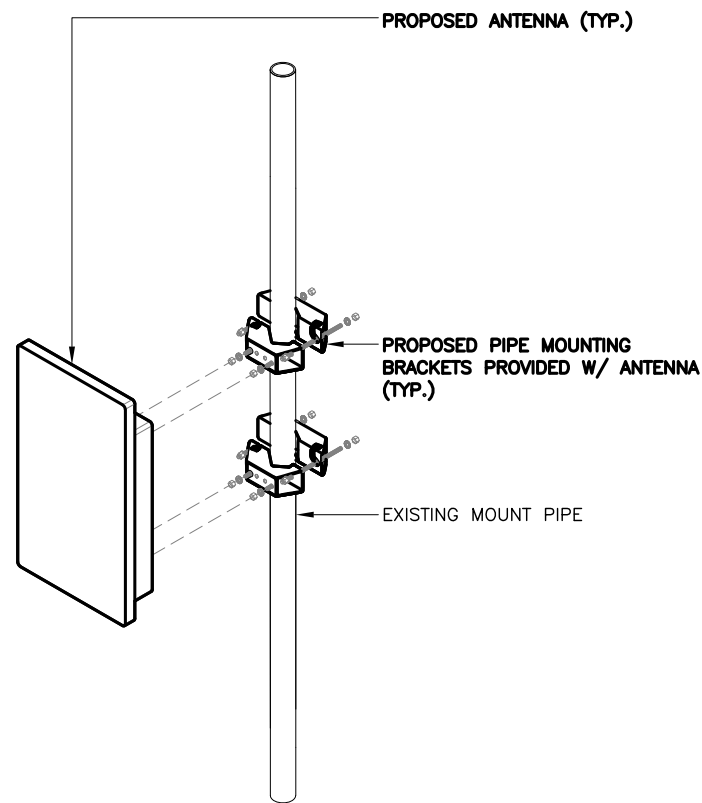
1779 N UNIVERSITY DRIVE, SUITE 205
 PEMBROKE PINES, FL 33024
 (954) 744-1538
 CERTIFICATE OF AUTHORIZATION 31948

THIS ITEM HAS BEEN DIGITALLY SIGNED AND SEALED BY MICHAEL A. PHILLIPS, P.E. ON THE DATE ADJACENT TO THE SEAL.
 SIGNATURE MUST BE VERIFIED ON ANY ELECTRONIC COPIES.

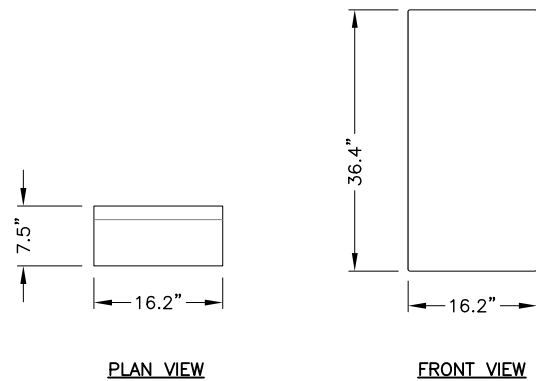
FORT WHITE
 FIXED ASSET: 10091912
 612 SW HILLIARD LANE
 FORT WHITE, FL 32038

SHEET NAME
 ANTENNA ELEVATIONS

SHEET NUMBER
 C4



2
3



MANUFACTURER: ERICSSON
 MODEL: AIR 6472 B77G B77M
 WEIGHT: 77.2 LBS

ANTENNA MOUNTING DETAIL

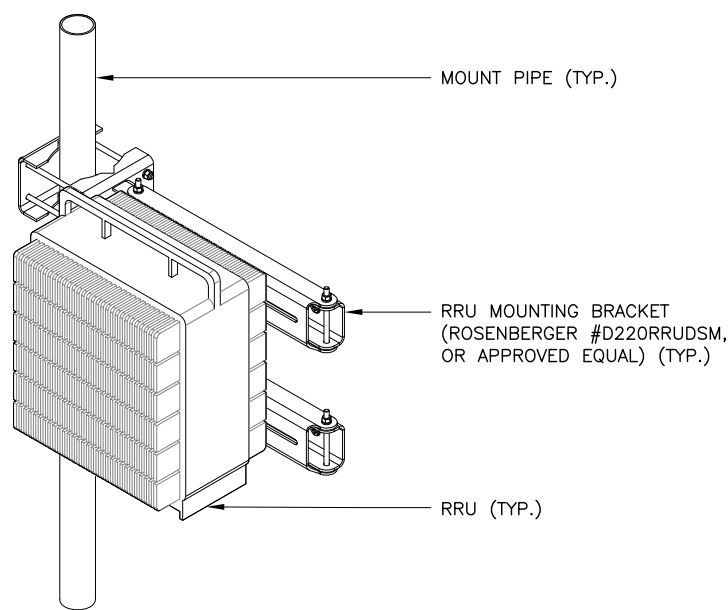
NTS 1

ANTENNA SPECS

NTS 2

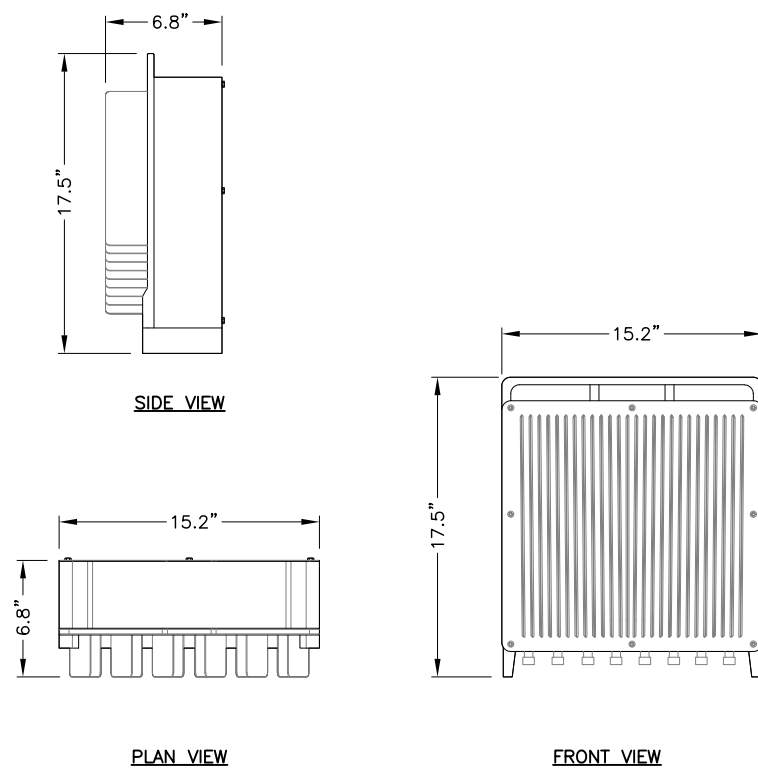
ANTENNA SPECS

NTS 3



3
C6

5
6
4
C6



MANUFACTURER: ERICSSON
 MODEL: RRUS 4490
 WEIGHT: 68.4 LBS

RRU MOUNTING DETAIL

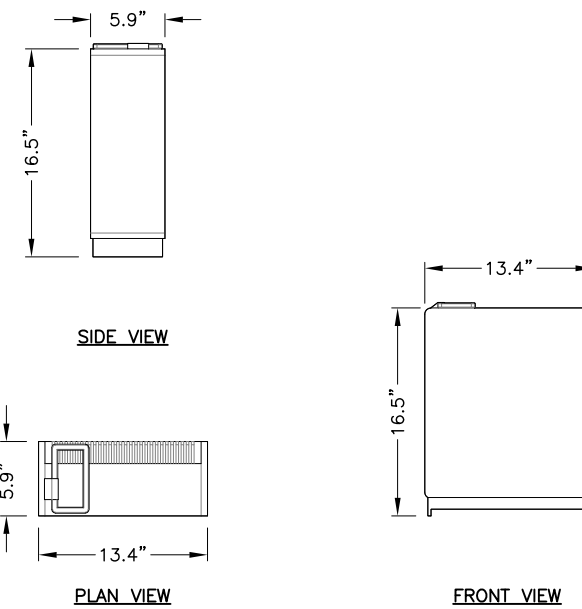
NTS 4

RRU SPECS

NTS 5

RRU SPECS

NTS 6



MANUFACTURER: ERICSSON
 MODEL: RRUS 4415 B2/B25
 WEIGHT: 47.4 LBS

- NOTES:
- UNIT SHALL BE MOUNTED AS PER MANUFACTURER'S RECOMMENDATIONS.
 - CONTRACTOR SHALL TIGHTEN ALL BOLTS TO A "SNUG TIGHT" CONDITION AS DEFINED BY AISC.

REV	DATE	DESCRIPTION
A	4/28/25	PRELIMINARY
B	11/7/25	REVISED
C	11/20/25	REVISED
O	1/23/26	FOR PERMIT

APX PROJECT NO.: 25-0404.76
 DRAWN BY: O. JOHNSON
 CHECKED BY: M. ABBEY

THIS DRAWING IS COPYRIGHTED AND IS THE SOLE PROPERTY OF THE OWNER. IT IS PRODUCED SOLELY FOR USE BY THE OWNER AND ITS AFFILIATES. REPRODUCTION OR USE OF THIS DRAWING AND/OR THE INFORMATION CONTAINED IN IT IS FORBIDDEN WITHOUT THE WRITTEN PERMISSION OF THE OWNER.

apx
ENGINEERING GROUP

1779 N UNIVERSITY DRIVE, SUITE 205
 PEMBROKE PINES, FL 33024
 (954) 744-1538

CERTIFICATE OF AUTHORIZATION 31948



THIS ITEM HAS BEEN DIGITALLY SIGNED AND SEALED BY MICHAEL A. PHILLIPS, P.E. ON THE DATE ADJACENT TO THE SEAL.

SIGNATURE MUST BE VERIFIED ON ANY ELECTRONIC COPIES.

FORT WHITE
 FIXED ASSET: 10091912
 612 SW HILLIARD LANE
 FORT WHITE, FL 32038

SHEET NAME

DETAILS

SHEET NUMBER

C5

REV	DATE	DESCRIPTION
A	4/28/25	PRELIMINARY
B	11/7/25	REVISED
C	11/20/25	REVISED
O	1/23/26	FOR PERMIT

APX PROJECT NO.:	25-0404.76
DRAWN BY:	O. JOHNSON
CHECKED BY:	M. ABBEY

THIS DRAWING IS COPYRIGHTED AND IS THE SOLE PROPERTY OF THE OWNER. IT IS PRODUCED SOLELY FOR USE BY THE OWNER AND ITS AFFILIATES. REPRODUCTION OR USE OF THIS DRAWING AND/OR THE INFORMATION CONTAINED IN IT IS FORBIDDEN WITHOUT THE WRITTEN PERMISSION OF THE OWNER.



1779 N UNIVERSITY DRIVE, SUITE 205
PEMBROKE PINES, FL 33024
(954) 744-1538

CERTIFICATE OF AUTHORIZATION 31948



AT&T

THIS ITEM HAS BEEN DIGITALLY SIGNED AND SEALED BY MICHAEL A. PHILLIPS, P.E. ON THE DATE ADJACENT TO THE SEAL.

SIGNATURE MUST BE VERIFIED ON ANY ELECTRONIC COPIES.

FORT WHITE

FIXED ASSET: 10091912

612 SW HILLIARD LANE
FORT WHITE, FL 32038

SHEET NAME

DETAILS

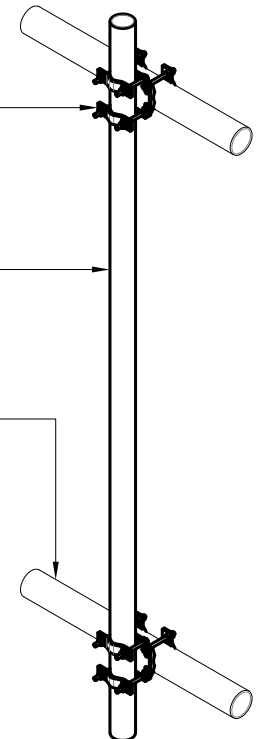
SHEET NUMBER

C6

PROPOSED HEAVY DUTY UNIVERSAL CROSSOVER KIT (SITEPRO1 #FCX45-U, OR APPROVED EQUAL) (TYP.)

PROPOSED 2-7/8" O.D. x 10' MOUNT PIPE (SITEPRO1 #P30120, OR APPROVED EQUAL)

EXISTING ANTENNA MOUNT STANDOFF (TYP. OF 2)



NOTES:

1. UNIT SHALL BE MOUNTED AS PER MANUFACTURER'S RECOMMENDATIONS.
2. CONTRACTOR SHALL TIGHTEN ALL BOLTS TO A "SNUG TIGHT" CONDITION AS DEFINED BY AISC.

(NOT USED)

1

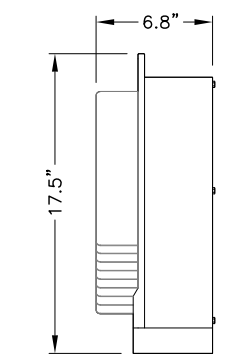
(NOT USED)

2

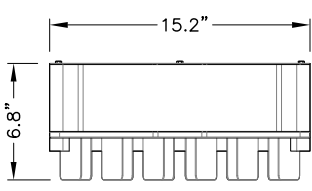
PIPE MOUNTING DETAIL

NTS

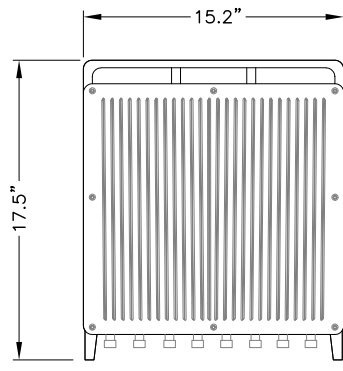
3



SIDE VIEW



PLAN VIEW



FRONT VIEW

MANUFACTURER: ERICSSON
MODEL: RRUS 4494
WEIGHT: 68.4 LBS

RRU SPECS

NTS

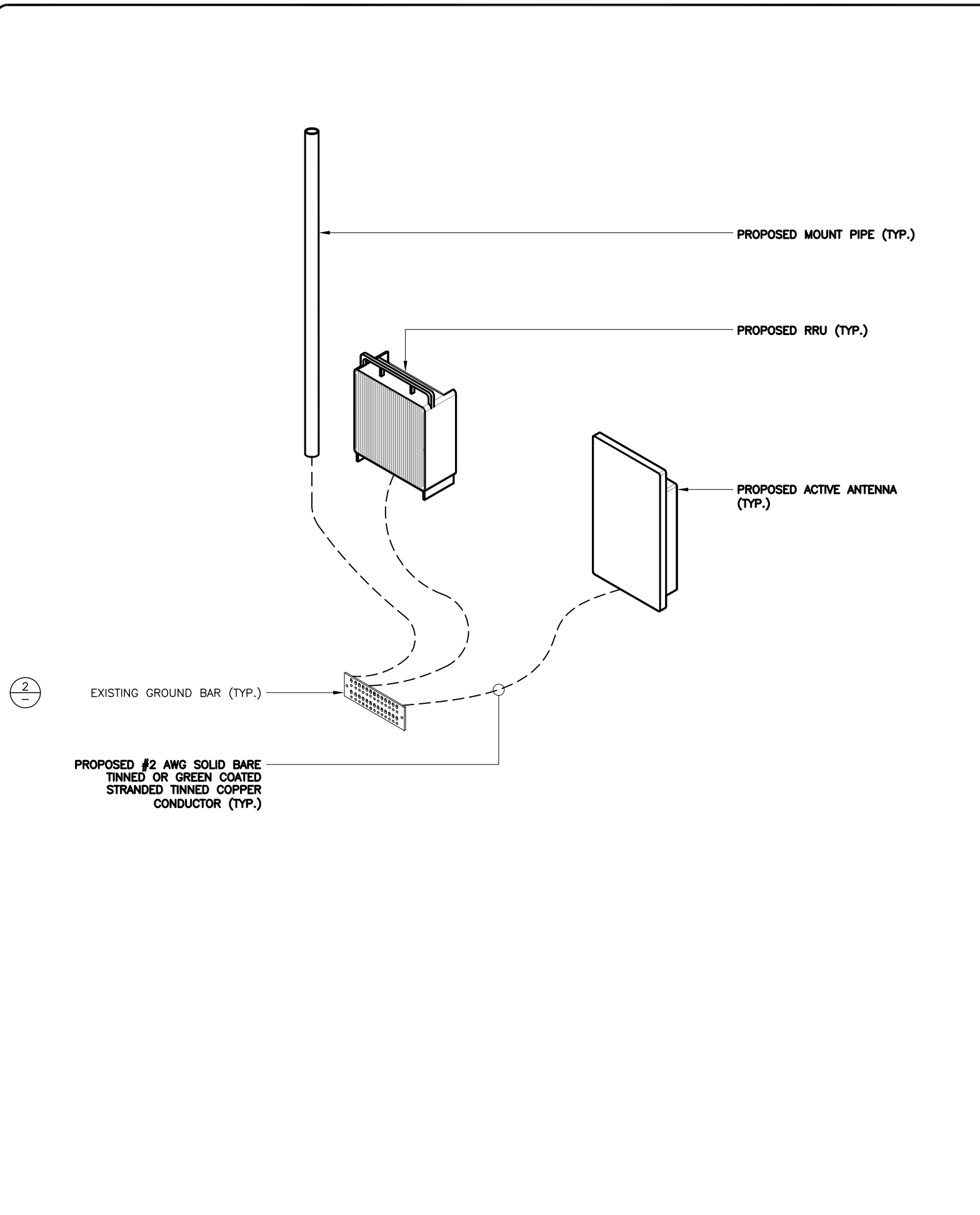
4

(NOT USED)

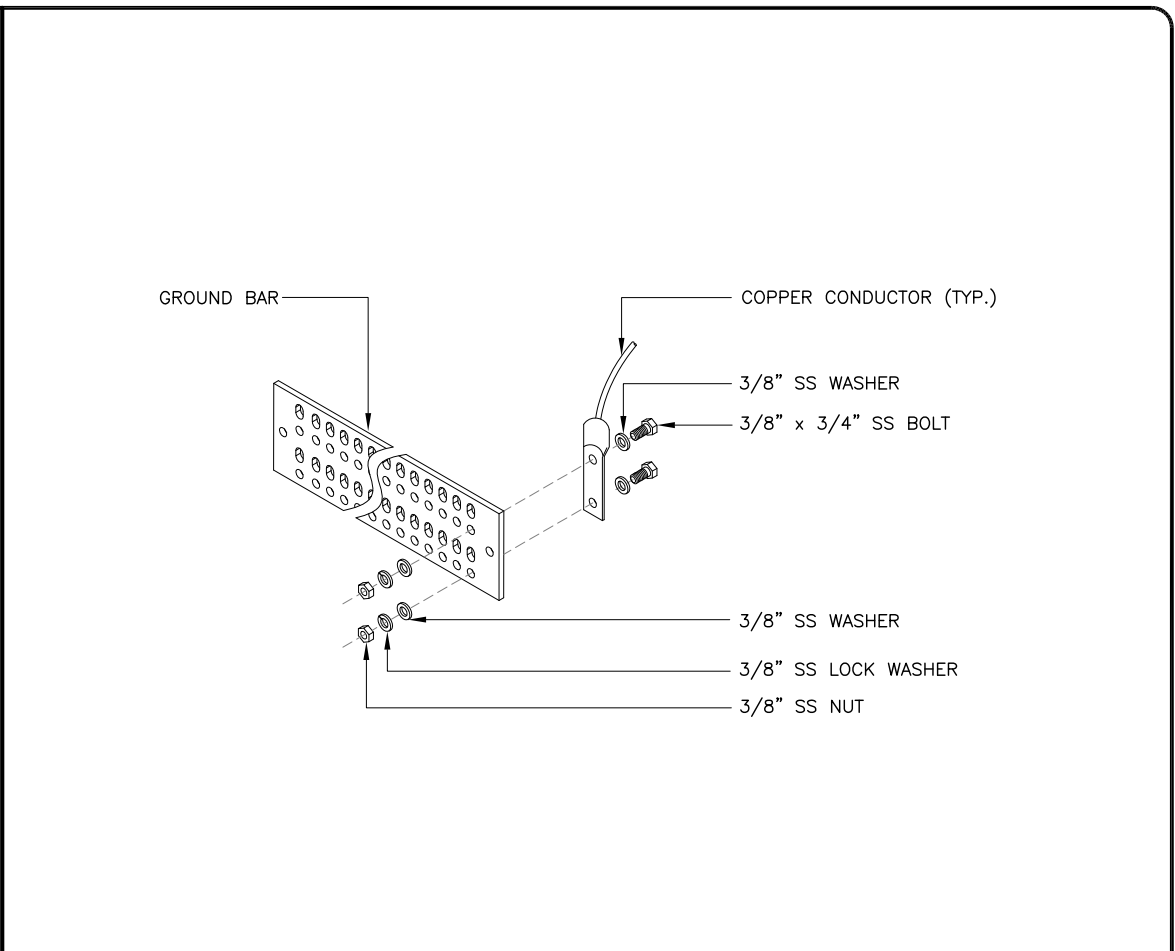
5

(NOT USED)

6



GROUNDING DIAGRAM NTS 1



GROUND BAR DETAIL NTS 2

- RECORD DRAWINGS: MAINTAIN A RECORD OF ALL CHANGES, SUBSTITUTIONS BETWEEN WORK AS SPECIFIED AND INSTALLED. RECORD CHANGES ON A CLEAN SET OF CONTRACT DOCUMENTS WHICH SHALL BE TURNED OVER TO THE CONSTRUCTION MANAGER UPON COMPLETION OF THE PROJECT.
- GUARANTEE/WARRANTY: GARRANTEE INSTALLATION TO BE FREE OF DEFECTS, SHORTS, GROUNDS, ETC. FOR A PERIOD OF ONE YEAR. FURNISH WARRANTY SO THE DEFECTIVE MATERIAL AND/OR WORKMANSHIP WILL BE REPAIRED/REPLACED IMMEDIATELY UPON NOTIFICATION AT NO COST TO THE OWNER FOR PERIOD OF WARRANTY.
- ALL TIE WRAPS SHALL BE CUT FLUSH WITH APPROVED CUTTING TOOL TO REMOVE SHARP EDGES.
- ELECTRICAL METALLIC TUBING (EMT) OR RIGID NONMETALLIC CONDUIT (I.E. RIGID PVC SCHEDULE 40, OR RIGID PVC SCHEDULE 80 FOR LOCATIONS SUBJECT TO PHYSICAL DAMAGE) SHALL BE USED FOR EXPOSED INDOOR LOCATIONS.
- LIQUID-TIGHT FLEXIBLE METALLIC CONDUIT (LIQUID-TITE FLEX) SHALL BE USED INDOORS AND OUTDOORS, WHERE VIBRATION OCCURS OR FLEXIBILITY IS NEEDED.
- WIREWAYS SHALL BE EPOXY-COATED (GRAY) AND INCLUDE A HINGED COVER, DESIGNED TO SWING OPEN DOWNWARDS; SHALL BE PANDUIT TYPE E (OR EQUAL); AND RATED NEMA 1 (OR BETTER) INDOORS, OR NEMA 3R (OR BETTER) OUTDOORS.
- EQUIPMENT CABINETS, TERMINAL BOXES, JUNCTION BOXES, AND PULL BOXES SHALL BE GALVANIZED OR EPOXY COATED SHEET STEEL, SHALL MEET OR EXCEED UL 50, AND RATED NEMA 1 (OR BETTER) INDOORS, OR NEMA 3R (OR BETTER) OUTDOORS.
- METAL RECEPTACLE SWITCH, AND DEVICE BOXES SHALL BE GALVANIZED, EPOXY-COATED, OR NON-CORRODING; SHALL MEET OR EXCEED UL 514A AND NEMA OS 1; AND RATED NEMA 1 (OR BETTER) INDOORS, OR WEATHER PROTECTED (WP OR BETTER) OUTDOORS.
- NONMETALLIC RECEPTACLE SWITCH, AND DEVICE BOXES SHALL MEET OR EXCEED NEMA OS 2; AND RATED NEMA 1 (OR BETTER) INDOORS, OR WEATHER PROTECTED (WP OR BETTER) OUTDOORS.

GROUNDING NOTES NTS 3

REV	DATE	DESCRIPTION
A	4/28/25	PRELIMINARY
B	11/7/25	REVISED
C	11/20/25	REVISED
O	1/23/26	FOR PERMIT

APX PROJECT NO.: 25-0404.76
 DRAWN BY: O. JOHNSON
 CHECKED BY: M. ABBEY

THIS DRAWING IS COPYRIGHTED AND IS THE SOLE PROPERTY OF THE OWNER. IT IS PRODUCED SOLELY FOR USE BY THE OWNER AND ITS AFFILIATES. REPRODUCTION OR USE OF THIS DRAWING AND/OR THE INFORMATION CONTAINED IN IT IS FORBIDDEN WITHOUT THE WRITTEN PERMISSION OF THE OWNER.

1779 N UNIVERSITY DRIVE, SUITE 205
 PEMBROKE PINES, FL 33024
 (954) 744-1538
 CERTIFICATE OF AUTHORIZATION 31948

THIS ITEM HAS BEEN DIGITALLY SIGNED AND SEALED BY MICHAEL A. PHILLIPS, P.E. ON THE DATE ADJACENT TO THE SEAL.

SIGNATURE MUST BE VERIFIED ON ANY ELECTRONIC COPIES.

FORT WHITE
 FIXED ASSET: 10091912
 612 SW HILLIARD LANE
 FORT WHITE, FL 32038

SHEET NAME
 GROUNDING DETAILS AND NOTES

SHEET NUMBER
 C8

