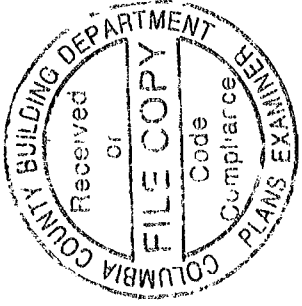
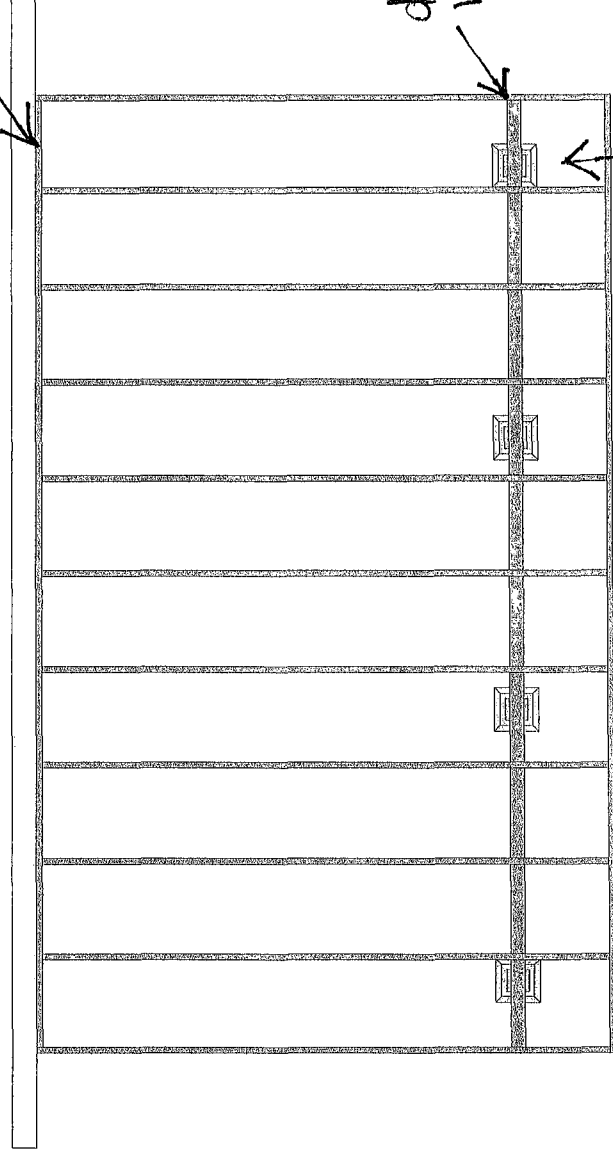


Top View of Your Deck

The Scale is 1/4" : 1'



back 2x8 Lagged + sealed to home.

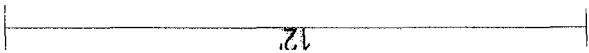


double 2x8 beam
lagged + nailed
to 6x6 post

↑
2x8 Frame +
Floor Joist 24" on
center
(Note: Hurricane
straps on floor joist.)

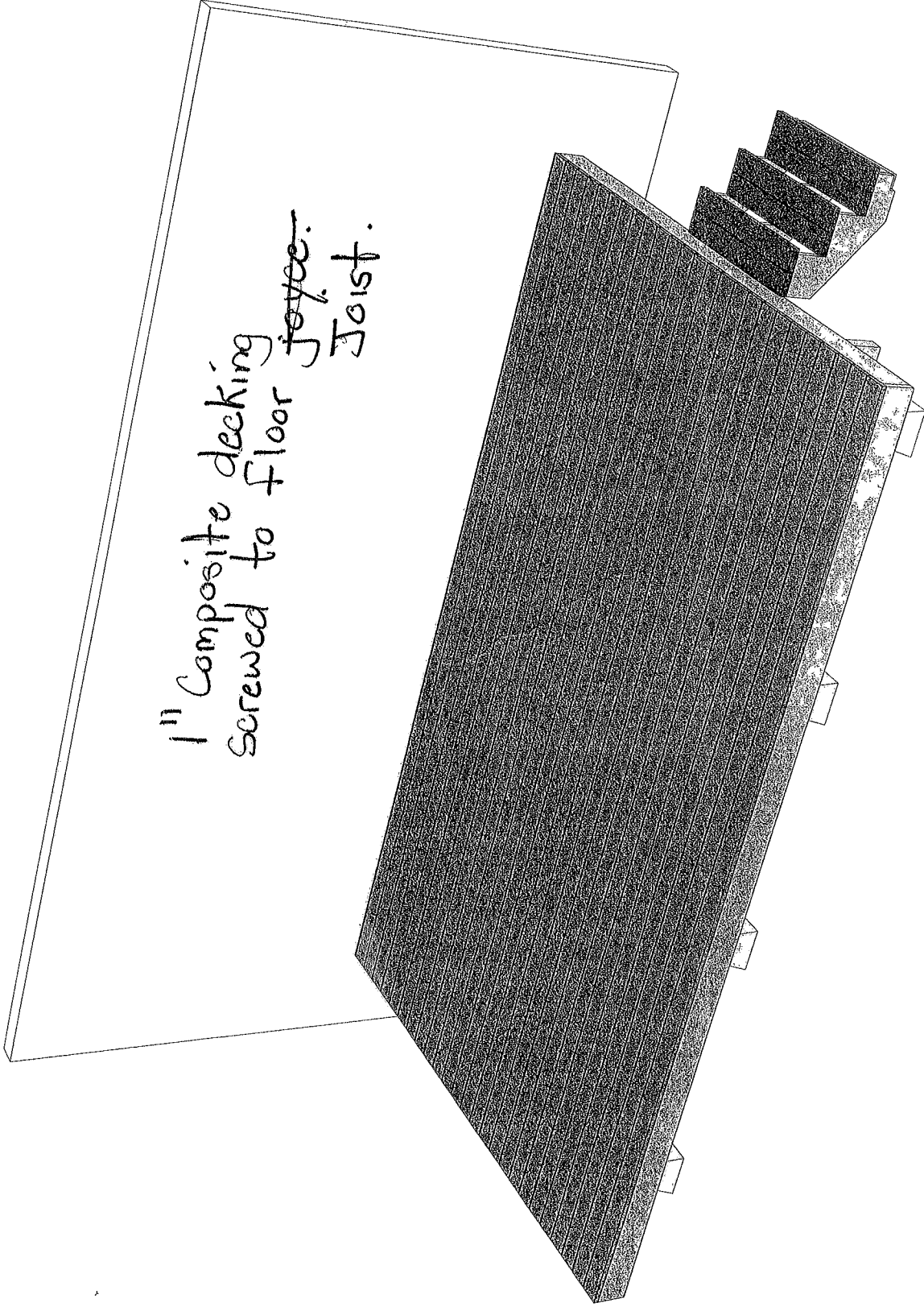
6x6 PT Post 24" In
ground w/ concrete
Not on piers,

Your deck is 2' 6" high
The deck is designed for a 40 PSF live load.



3D View of Your Deck

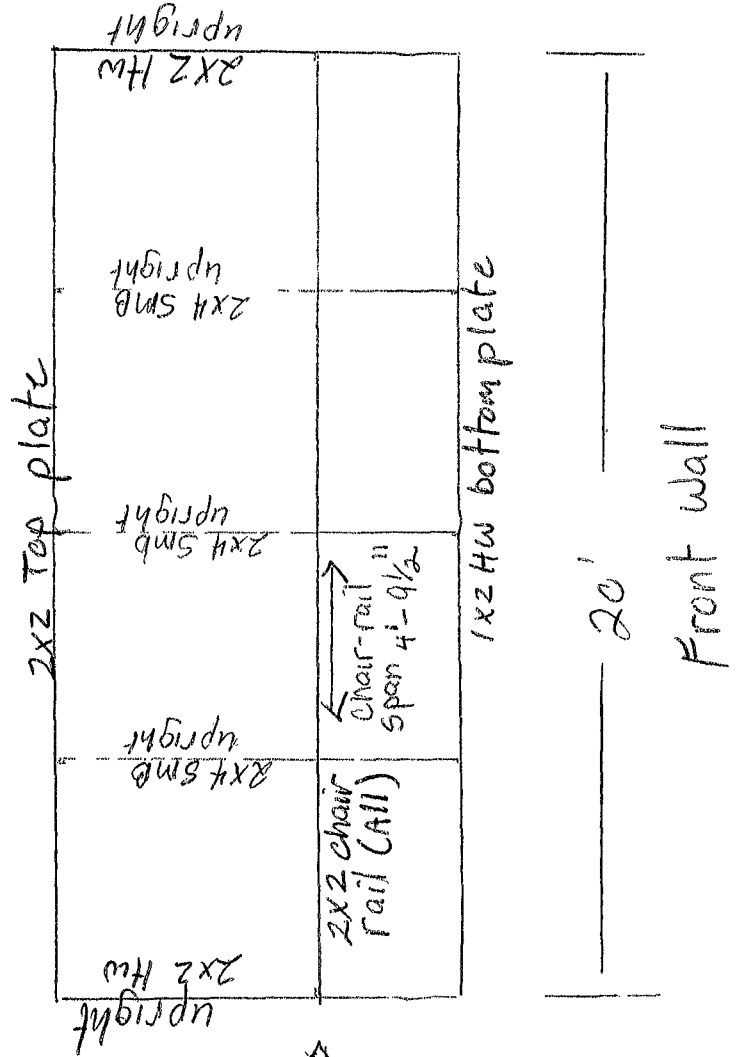
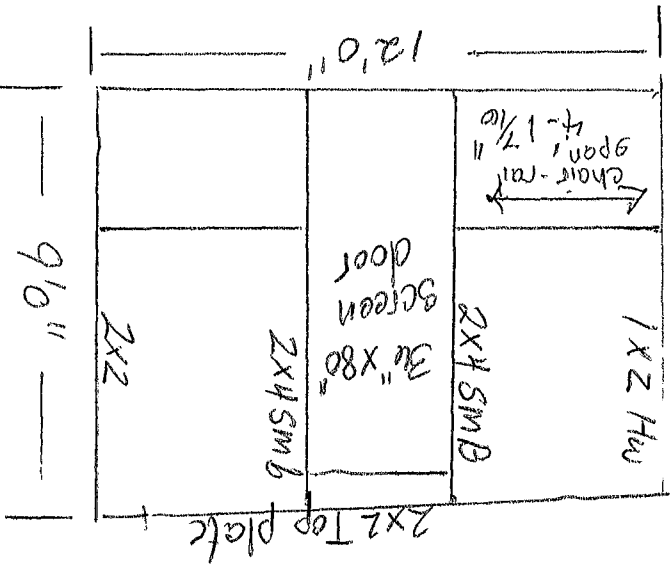
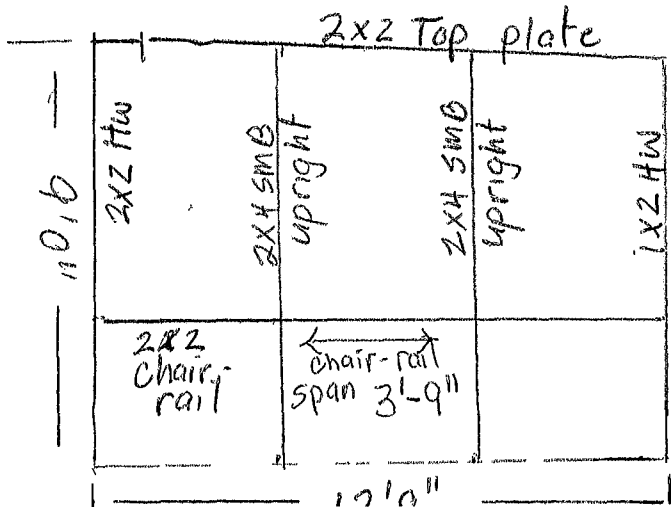
1" Composite decking
Screwed to Floor Joist.



Roof Span from connection to front wall 11'0" w/ 12" overhang L/w of ~~6'6"~~ 6'6" ?

12'x20 Existing wood deck. upon inspection deck is in great shape. All support post in concrete Hurricane straps on floor joist.

Roof for screen room - 13'x22' 3" Composite. Header of roof will be attached to fascia of home with proper flashing. Composite roof will have 6" gutter.



Wall Connection to deck: 5/16" X 3" Lags 24" O.C

Note: All Walls blind Screwed

Chair rail set at 36" from bottom plate

CONTRACTOR, RICHARDSON ALUMINUM, LLC.

DESIGN CRITERIA:

- 1 The 2010 Florida Building Code, specifically Chapter 16 Structural Design, Chapter 20 Aluminum, and Chapter 23 Wood
- 2 AA ASM 35 and Specifications for Aluminum Structures, Part 1-A of the Aluminum Design Manual prepared by The Aluminum Association, Inc. Washington, D C, 2005 Edition
- 3 ASCE 7-10

- Wind Loads**
- 1 Building Occupancy Category, Paragraph 1604 5 and Table 1604 5 Risk Category 1
 - 2 Basic Wind Speed, Table 1609C, State of Florida Debris Region & Basic Wind Speed, Paragraph 1609 3 1 and Table 1609 3 1 Equivalent Basic Wind Speed
 - 3 Exposure Category, Paragraph 1609 4 3 Exposure C
 - 4 Building Category for Aluminum Structures, Paragraph 2002 6 Building Category 1.

Foundation Design
Existing Wood Deck - wood deck framing is not within the scope of this submittal.

- Roof Type**
- Roof Type MONOSLOPE
 - Roof Material 3" x 48" x 0.024" composite panel Elite 2000, 1.0 density foam, Florida Product Approval Number FL 7561-R2.

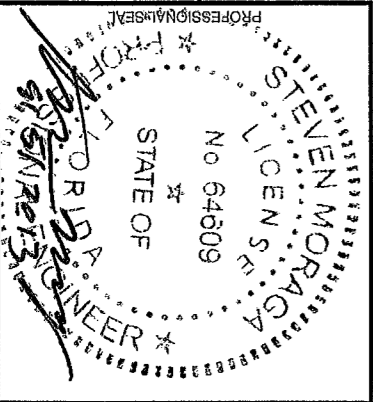
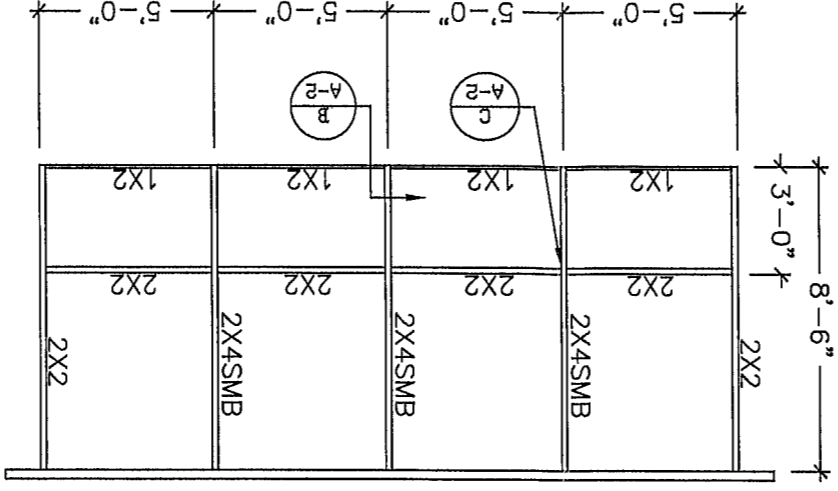
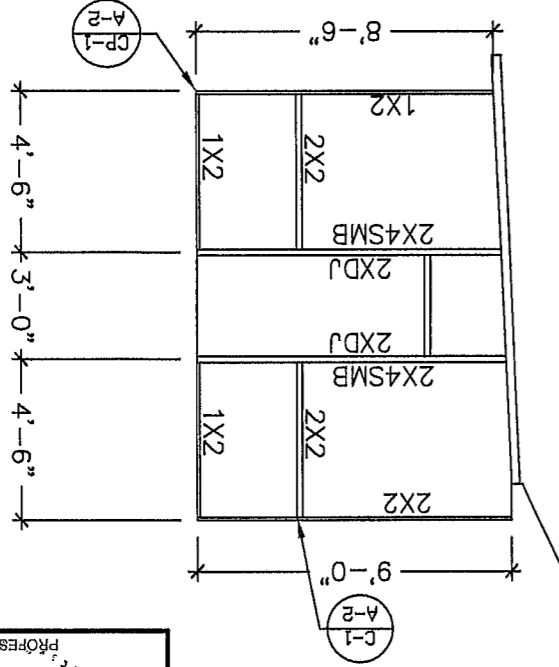
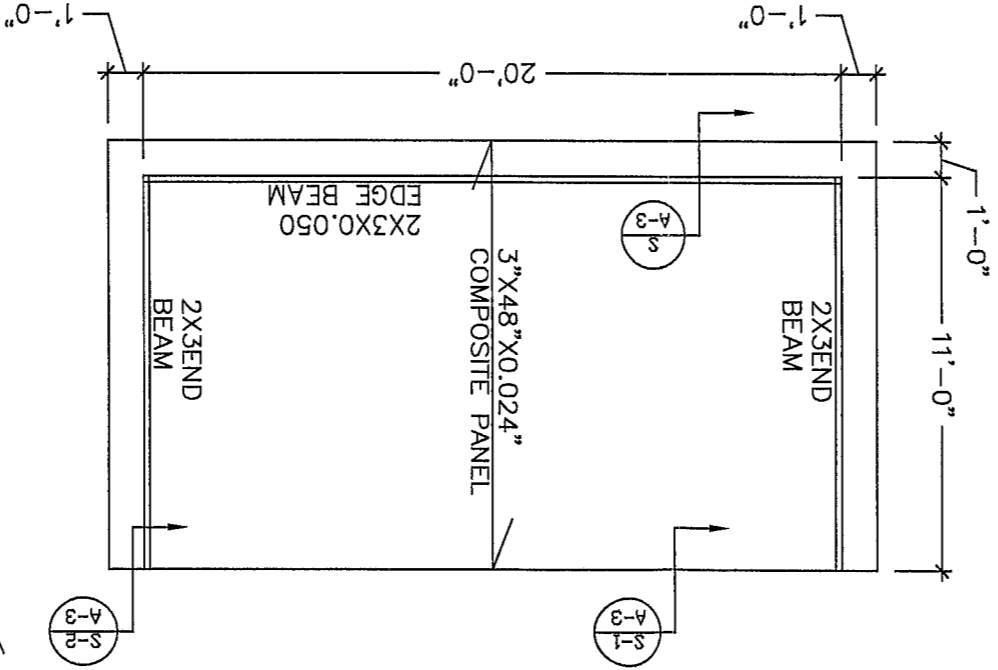
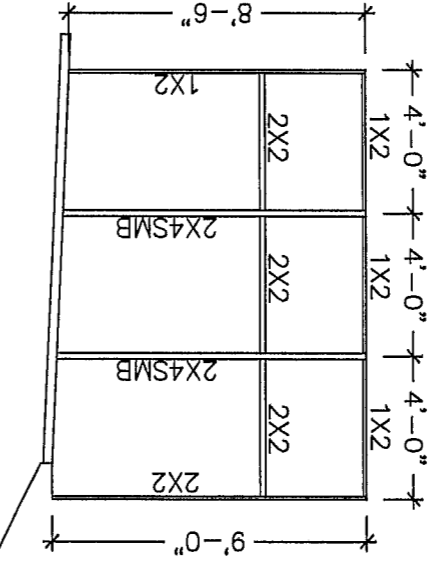
The following specifications are applicable to this project

- 1 All work shall be in accordance with the Florida Building Code, 2010 Edition, with Supplements, and any other applicable local codes and regulations
- 2 The minimum wall thickness of aluminum extrusions shall be in accordance with the Florida Building Code, 2010 Edition with Supplements and the 2005 Edition of the Aluminum Association Manual, but not less than 0 040 inches
- 3 Aluminum extrusions shall be 6005 T5 Alloy Due to quality control issues, no manufacturer substitution is acceptable without the specific written, signed and sealed authorization of Suncoast Architecture & Engineering, LLC

- 4 Fasteners are required to be SA6 Grade 5 or better zinc plated. Where concrete specifications are required, whether in the screen enclosure scope or not, by one or more regulatory agency, the following specifications are applicable
- a. Concrete shall conform to ASTM C94 for the following components

- 1 Portland Cement Type 1, - ASTM C 150
- 2 Aggregates - Large Aggregate 3/4" max - ASTM C 33
- 3 Air entraining +/- 1% - ASTM C 260
- 4 Water Reducing agent - ASTM C 494
- 5 Clean Potable water
- 6 Other admixtures not permitted
- 7 Metal accessories shall conform to
- 8 Reinforcing Bars - ASTM A615, grade 60
- 9 Welded wire fabric - ASTM A185
- 10 Concrete slump at discharge chute not less than 3" or more than 5" Water added after batching is not permitted.
- 11 Prepare and place concrete per American Concrete Institute Manual of Standard Practice, Parts 1, 2, and 3 including hot weather recommendations
- 12 Moist cure or polyethylene curing permitted
- 13 Prior to placing concrete, treat the entire subsurface area for termines in compliance with the FBC
- 14 Concrete shall be placed over a polyethylene vapor barrier
- 15 All aluminum components embedded within concrete shall be coated with a bituminous paint or epoxy
- 16 The minimum nominal thickness of protector panels (kickplates) shall be an industry standard of 0 024 inches

WIND SPEED AND EXPOSURE HAVE BEEN DETERMINED USING THE ADVANCED TECHNOLOGY COUNCIL'S WEBSITE AND GOOGLE EARTH.



PROFESSIONAL ENGINEER
STEVEN MORAGA, P.E.
FLORIDA LICENSE: 64609

SUNCOAST ARCHITECTURE & ENGINEERING, LLC
13690 58TH STREET NORTH SUITE 101
CLEARWATER FL 33770
TEL: (727) 532-9000
FAX: (727) 532-9008
FLORIDA LICENSES: AA26001769 & CA #28841

PROJECT ADDRESS:
CONLEY
991 SW SKYLINE LOOP
FT WHITE, FL 32038

DRAWN BY
EL

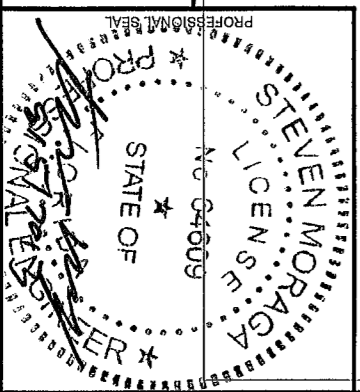
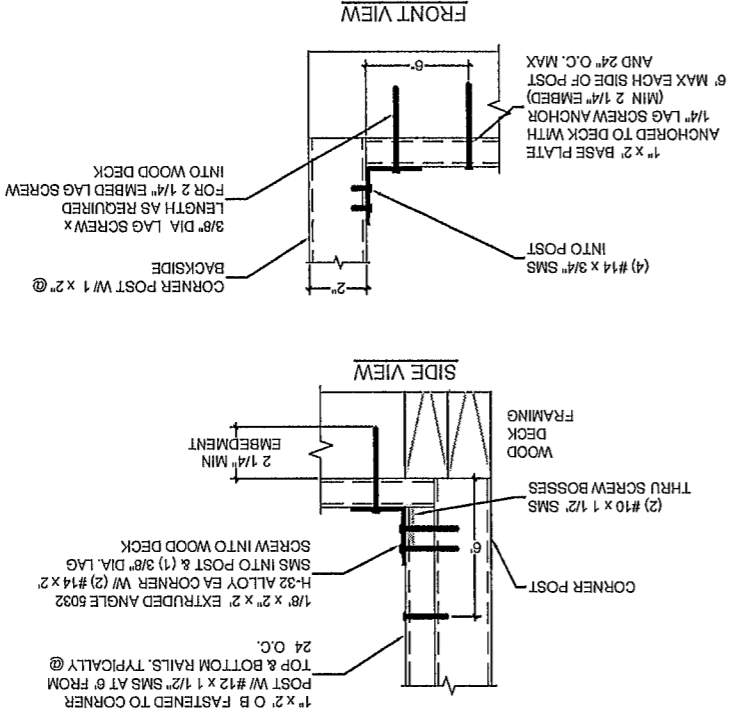
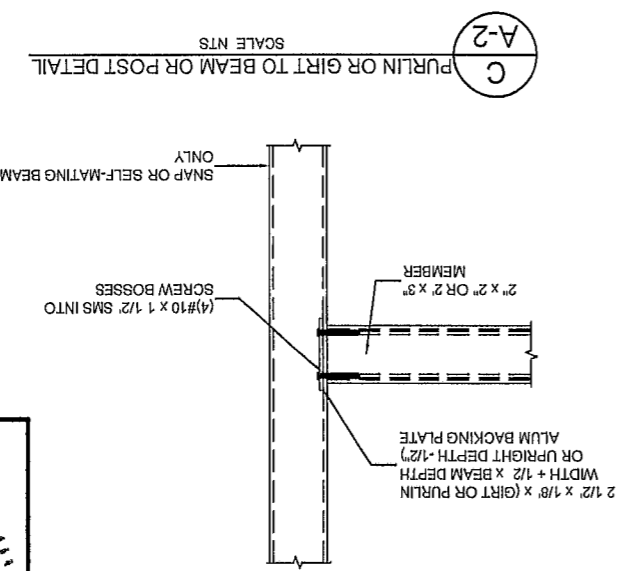
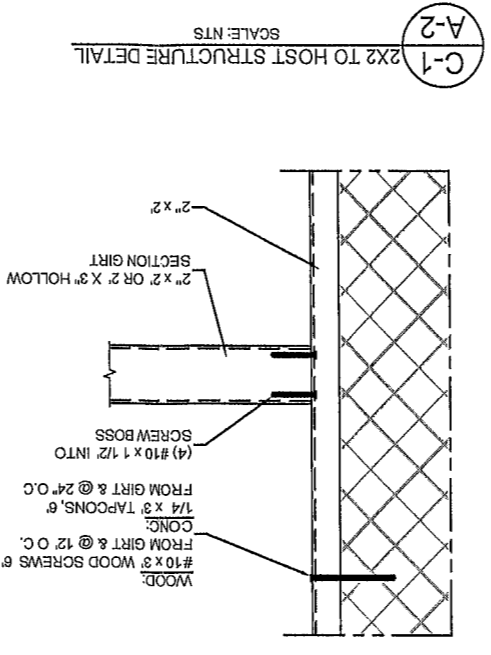
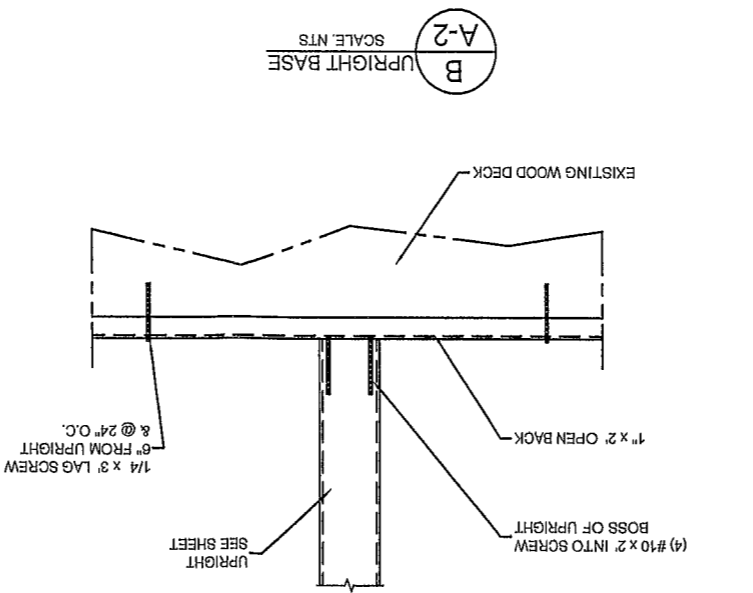
DATE DRAWN
08/05/13

REVISION

SHEET NO

A-1

ALUMINUM MEMBERS DIMENSIONS	
HOLLOW SECTIONS	
2 x 2	2" x 2" x 0.046"
2 x 3	2" x 3" x 0.050"
2 x 4	2" x 4" x 0.050"
2 x 5	2" x 5" x 0.050"
OPEN BACK SECTIONS	
1 x 2	1" x 2" x 0.040"
1 x 3	1" x 3" x 0.045"
SNAP SECTIONS	
2 x 2 Snap	2" x 2" x 0.045"
2 x 3 Snap	2" x 3" x 0.050"
2 x 4 Snap	2" x 4" x 0.045"
SELF MATING (SMB)	
2 x 4 SMB	2" x 4" x 0.044" x 0.100"
2 x 5 SMB	2" x 5" x 0.050" x 0.100"
2 x 6 SMB	2" x 6" x 0.050" x 0.120"
2 x 7 SMB	2" x 7" x 0.057" x 0.120"
2 x 8 SMB	2" x 8" x 0.072" x 0.124"
2 x 9 SMB	2" x 9" x 0.072" x 0.124"
2 x 10 SMB	2" x 10" x 0.092" x 0.398"
MINIMUM FASTENER EDGE DISTANCE, 1/2"	
MINIMUM FASTENER SPACING 3/4"	



PROFESSIONAL ENGINEER
STEVEN MORAGA, P.E.
 FLORIDA LICENSE: 64609

SUNCOAST ARCHITECTURE & ENGINEERING, LLC
 1360 58TH STREET NORTH SUITE 101
 CLEARWATER FL 33760
 TEL: (727) 552-9000
 FAX: (727) 552-9008
 FLORIDA LICENSES: A2600769 & CA #28841

PROJECT ADDRESS:
 CONLEY
 991 SW SKYLINE LOOP
 FT WHITE, FL 32038

DRAWN BY:
DATE DRAWN: 08/05/13
REVISION:

A-2
 SHEET NO

NOT TO BE REPRODUCED IN WHOLE OR IN PART WITHOUT THE WRITTEN PERMISSION OF SUNCOAST ARCHITECTURE & ENGINEERING, LLC © COPYRIGHT

A-3

SHEET NO

REVISION

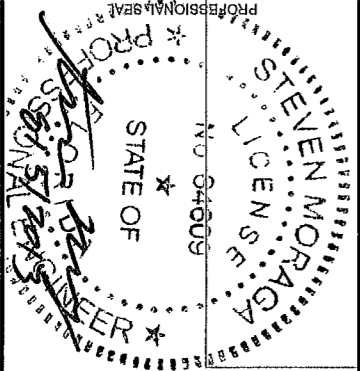
DATE DRAWN
08/05/13

DRAWN BY
EL

PROJECT ADDRESS:
CONILEY
991 SW SKYLINE LOOP
FT WHITE, FL 32038

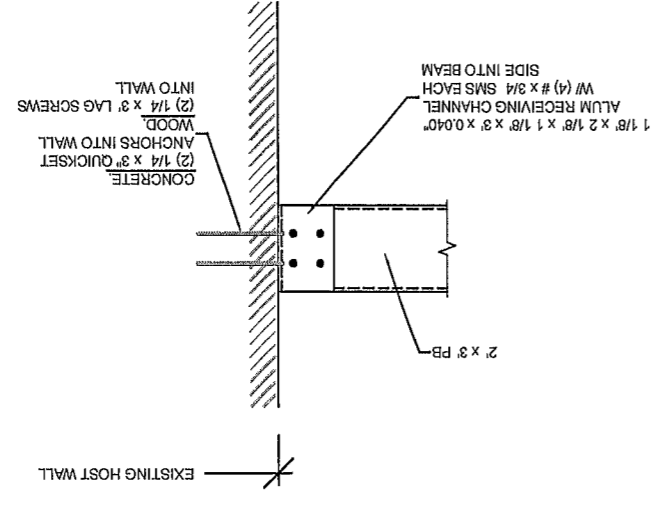
**SUNCOAST ARCHITECTURE
& ENGINEERING, LLC**
13630 58TH STREET NORTH SUITE 101
CLEARWATER FL 33760
TEL: (727) 532-9000
FAX: (727) 532-9008
FLORIDA LICENSES: AA25600769 & CA #28841

PROFESSIONAL ENGINEER
STEVEN MORAGA, P.E.
FLORIDA LICENSE: 64609

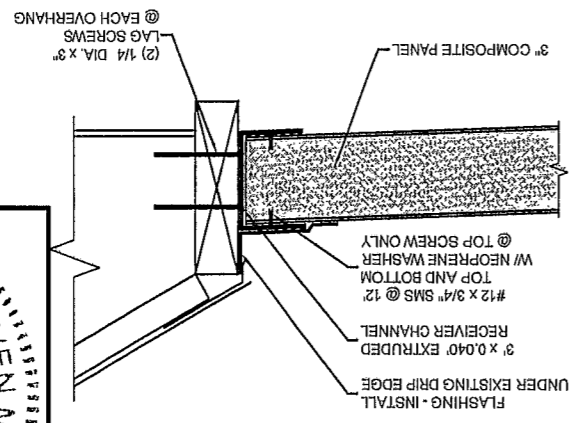


NOT TO BE REPRODUCED IN WHOLE OR IN PART WITHOUT THE WRITTEN PERMISSION OF SUNCOAST ARCHITECTURE & ENGINEERING, LLC © COPYRIGHT

S-2 BEAM TO HOST STRUCTURE ATTACHMENT DETAIL
SCALE: NTS



S-1 COMPOSITE PANEL TO FASCIA DETAIL
SCALE: NTS



S 2 X 3 TOP RAIL CONNECTION TO 2 X UPRIGHT
SCALE: NTS

