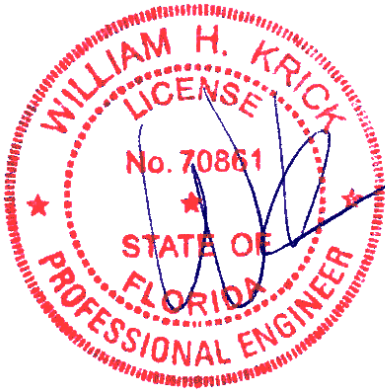




Alpine, an ITW Company
 155 Harlem Ave
 North Building, 4th Floor
 Glenview, IL 60025
 Phone: (800)755-6001
 www.alpineitw.com



This item has been digitally signed by William H. Krick on the date adjacent to the seal.

Printed copies of this document are not considered signed and sealed and the signature must be verified on any electronic copies.

COA #0 278

Florida Certificate of Product Approval #FL 1999

01/30/2026

Site Information:	Page 1:
Customer: W. B. Howland Company, Inc.	Job Number: 26-3443
Job Description: THOMAS MENENDEZ - SPEC HOUSE	
Address: 217 SW BLUE JAY CT, Fort White, FL 32038	

Job Engineering Criteria:	
Design Code: FBC 8th Ed. 2023 Res.	IntelliVIEW Version: 24.02.00D JRef #: 1YH82150007
Wind Standard: ASCE 7-22 Wind Speed (mph): 130	Design Loading (psf): 40
Building Type: Enclosed	

This package contains general notes pages, 13 truss drawing(s) and 4 detail(s).

Item	Drawing Number	Truss
1	030.26.1452.15957	A1
3	030.26.1452.09040	A2
5	030.26.1452.05147	P1E
7	030.26.1451.54463	V2
9	030.26.1451.52360	V4
11	030.26.1451.37633	V6
13	030.26.1451.34667	V8
15	VALTN220723	
17	BRCLBSUB0119	

Item	Drawing Number	Truss
2	030.26.1452.12740	A1E
4	030.26.1452.07293	P1
6	030.26.1451.55947	V1
8	030.26.1451.53427	V3
10	030.26.1451.51410	V5
12	030.26.1451.36340	V7
14	VAL180220723	
16	PB160220723	

General Notes

Truss Design Engineer Scope of Work, Design Assumptions and Design Responsibilities:

The design responsibilities assumed in the preparation of these design drawings are those specified in ANSI/TPI 1, Chapter 2; and the National Design Standard for Metal Plate Connected Wood Truss Construction, by the Truss Plate Institute. The truss component designs conform to the applicable provisions of ANSI/TPI 1 and NDS, the National Design Specification for Wood Construction by AWC. The truss component designs are based on the specified loading and dimension information furnished by others to the Truss Design Engineer. The Truss Design Engineer has no duty to independently verify the accuracy or completeness of the information provided by others and may rely on that information without liability. The responsibility for verification of that information remains with others neither employed nor controlled by the Truss Design Engineer. The Truss Design Engineer's seal and signature on the attached drawings, or cover page listing these drawings, indicates acceptance of professional engineering responsibility solely for the truss component designs and not for the technical information furnished by others which technical information and consequences thereof remain their sole responsibility.

The suitability and use of these drawings for any particular structure is the responsibility of the Building Designer in accordance with ANSI/TPI 1 Chapter 2. The Building Designer is responsible for determining that the dimensions and loads for each truss component match those required by the plans and by the actual use of the individual component, and for ascertaining that the loads shown on the drawings meet or exceed applicable building code requirements and any additional factors required in the particular application. Truss components using metal connector plates with integral teeth shall not be placed in environments that will cause the moisture content of the wood in which plates are embedded to exceed 19% and/or cause corrosion of connector plates and other metal fasteners.

The Truss Design Engineer shall not be responsible for items beyond the specific scope of the agreed contracted work set forth herein, including but not limited to: verifying the dimensions of the truss component, calculation of any of the truss component design loads, inspection of the truss components before or after installation, the design of temporary or permanent bracing and their attachment required in the roof and/or floor systems, the design of diaphragms or shear walls, the design of load transfer connections to and from diaphragms and shear walls, the design of load transfer to the foundation, the design of connections for truss components to their bearing supports, the design of the bearing supports, installation of the truss components, observation of the truss component installation process, review of truss assembly procedures, sequencing of the truss component installation, construction means and methods, site and/or worker safety in the installation of the truss components and/or its connections.

This document may be a high-quality facsimile of the original engineering document which is a digitally signed electronic file with third party authentication. A wet or embossed seal copy of this engineering document is available upon request.

Temporary Lateral Restraint and Bracing:

Temporary lateral restraint and diagonal bracing shall be installed according to the provisions of BCSI chapters B1, B2, B7 and/or B10 (Building Component Safety Information, by TPI and SBCA), or as specified by the Building Designer or other Registered Design Professional. The required locations for lateral restraint and/or bracing depicted on these drawings are only for the permanent lateral support of the truss members to reduce buckling lengths, and do not apply to and may not be relied upon for the temporary stability of the truss components during their installation.

Permanent Lateral Restraint and Bracing:

The required locations for lateral restraint or bracing depicted on these drawings are for the permanent lateral support of the truss members to reduce buckling lengths. Permanent lateral support shall be installed according to the provisions of BCSI chapters B3, B7 and/or B10, or as specified by the Building Designer or other Registered Design Professional. These drawings do not depict or specify installation/erection bracing, wind bracing, portal bracing or similar building stability bracing which are parts of the overall building design to be specified, designed, and detailed by the Building Designer.

Connector Plate Information:

Alpine connector plates are made of ASTM A653 or ASTM A1063 galvanized steel with the following designations, gauges and grades: W=Wave, 20ga, grade 40; H=High Strength, 20ga, grade 60; S=Super Strength, 18ga, grade 60. Information on model code compliance is contained in the ICC Evaluation Service report ESR-1118, available on-line at www.icc-es.org.

Bearing Information:

The bearing area factor, C_b , is considered for the allowable capacity of solid sawn wood bearings supporting trusses that are located a minimum of 3" from the end of the lumber piece.

General Notes (continued)

Coated Lumber:

Coated lumber must be properly re-dried and maintained below 19% or less moisture level through all stages of construction and usage. Coated lumber has no adjustments to lumber properties. Coated lumber may be more brittle than uncoated lumber. Special handling care must be taken to prevent breakage during all handling activities. Refer to manufacturer literature, specifications, and code evaluation reports for restrictions, details, and requirements.

Fire Retardant Treated Lumber:

Fire retardant treated lumber must be properly re-dried and maintained below 19% or less moisture level through all stages of construction and usage. Fire retardant treated lumber may be more brittle than untreated lumber. Special handling care must be taken to prevent breakage during all handling activities.

Key to Terms:

Information provided on drawings reflects a summary of the pertinent information required for the truss design. Detailed information on load cases, reactions, member lengths, forces and members requiring permanent lateral support may be found in calculation sheets available upon written request.

BCDL = Bottom Chord standard design Dead Load in pounds per square foot.

BCLL = Bottom Chord standard design Live Load in pounds per square foot.

C = Coated lumber.

C-AT = AtTEK coated lumber.

C-FX = FX Lumber Guard coated lumber.

C -TE = TechWood 4400 coated lumber.

CL = Certified lumber.

Des Ld = total of TCLL, TCDL, BCLL and BCDL Design Load in pounds per square foot.

FRT = Fire Retardant Treated lumber.

FRT-BF = Borafire Fire Retardant Treated lumber

FRT-DB = D-Blaze Fire Retardant Treated lumber.

FRT-DC = Dricon Fire Retardant Treated lumber.

FRT-FP = FirePRO Fire Retardant Treated lumber.

FRT-FL = FlamePRO Fire Retardant Treated lumber.

FRT-FT = FlameTech Fire Retardant Treated lumber.

FRT-ON = OnWood Fire Retardant Treated lumber.

FRT-PG = PYRO-GUARD Fire Retardant Treated lumber.

FRT-PR = ProWood Fire Retardant Treated lumber.

g = green lumber.

HORZ(LL) = maximum Horizontal panel point deflection due to Live Load, in inches.

HORZ(TL) = maximum Horizontal panel point long term deflection in inches, due to Total Load, including creep adjustment.

HPL = additional Horizontal Load added to a truss Piece in pounds per linear foot or pounds.

Ic = Incised lumber.

FJ = Finger Jointed lumber.

L/# = user specified divisor for limiting span/deflection ratio for evaluation of actual L/defl value.

L/defl = ratio of Length between bearings, in inches, divided by the vertical Deflection due to creep, in inches, at the referenced panel point. Reported as 999 if greater than or equal to 999.

Loc = Location, starting location of left end of bearing or panel point (joint) location of deflection.

Max BC CSI = Maximum bending and axial Combined Stress Index for Bottom Chords for all load cases.

Max TC CSI = Maximum bending and axial Combined Stress Index for Top Chords for all load cases.

Max Web CSI = Maximum bending and axial Combined Stress Index for Webs for all load cases.

NCBCLL = Non-Concurrent Bottom Chord design Live Load in pounds per square foot.

PL = additional Load applied at a user specified angle on a truss Piece in pounds per linear foot or pounds.

PLB = additional vertical load added to a Bottom chord Piece of a truss in pounds per linear foot or pounds

PLT = additional vertical load added to a Top chord Piece of a truss in pounds per linear foot or pounds.

PP = Panel Point.

R = maximum downward design Reaction, in pounds, from all specified gravity load cases, at the indicated location (Loc).

-R = maximum upward design Reaction, in pounds, from all specified gravity load cases, at the identified location (Loc).

Rh = maximum horizontal design Reaction in either direction, in pounds, from all specified gravity load cases, at the indicated location (Loc).

RL = maximum horizontal design Reaction in either direction, in pounds, from all specified non-gravity (wind or seismic) load cases, at the indicated location (Loc).

General Notes (continued)

Key to Terms (continued):

Rw = maximum downward design Reaction, in pounds, from all specified non-gravity (wind or seismic) load cases, at the identified location (Loc).

TCDL = Top Chord standard design Dead Load in pounds per square foot.

TCLL = Top Chord standard design Live Load in pounds per square foot.

U = maximum Upward design reaction, in pounds, from all specified non-gravity (wind or seismic) load cases, at the indicated location (Loc).

VERT(CL) = maximum Vertical panel point deflection in inches due to Live Load and Creep Component of Dead Load in inches.

VERT(CTL) = maximum Vertical panel point deflection ratios due to Live Load and Creep Component of Dead Load, and maximum long term Vertical panel point deflection in inches due to Total load, including creep adjustment.

VERT(LL) = maximum Vertical panel point deflection in inches due to Live Load.

VERT(TL) = maximum Vertical panel point long term deflection in inches due to Total load, including creep adjustment.

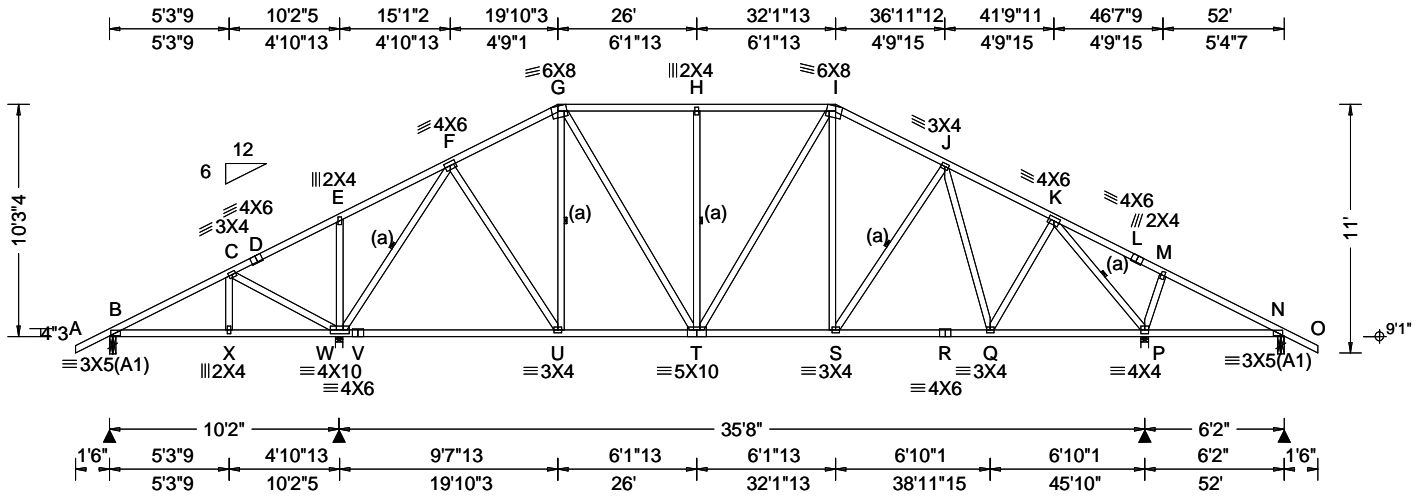
W = Width of non-hanger bearing, in inches.

Refer to ASCE-7 for Wind and Seismic abbreviations.

Uppercase Acronyms not explained above are as defined in TPI 1.

References:

1. AWC: American Wood Council; 222 Catoclin Circle SE, Suite 201; Leesburg, VA 20175; www.awc.org.
2. ICC: International Code Council; www.iccsafe.org.
3. Alpine, a division of ITW Building Components Group Inc.: 155 Harlem Ave, North Building, 4th Floor, Glenview, IL 60025; www.alpineitw.com.
4. TPI: Truss Plate Institute, 2670 Crain Highway, Suite 203, Waldorf, MD 20601; www.tpinst.org.
5. SBCA: Wood Truss Council of America, 6300 Enterprise Lane, Madison, WI 53719; www.sbcacomponents.com



Loading Criteria (psf) TCCL: 20.00 TCCL: 10.00 BCLL: 0.00 BCLL: 10.00 Des Ld: 40.00 NCBCLL: 10.00 Soffit: 2.00 Load Duration: 1.25 Spacing: 24.0 "	Wind Criteria Wind Std: ASCE 7-22 Speed: 130 mph Enclosure: Enclosed Risk Category: II EXP: C Kzt: NA Mean Height: 15.56 ft TCCL: 5.0 psf BCLL: 5.0 psf MWFRS Parallel Dist: 0 to h/2 C&C Dist a: 5.20 ft Loc. from endwall: Any GCp: 0.18 Wind Duration: 1.60	Snow Criteria (Pg,Pf in PSF) Pg: NA Ct: NA CAT: NA Pf: NA Ce: NA Lu: NA Cs: NA Snow Duration: NA Building Code: FBC 8th Ed. 2023 Res. TPI Std: 2014 Rep Fac: Yes FT/RT:20(0)/10(0) Plate Type(s): WAVE	Defl/CSI Criteria PP Deflection in loc L/defl L/# VERT(LL): 0.075 H 999 360 VERT(CL): 0.137 H 999 240 HORZ(LL): 0.035 P - - HORZ(TL): 0.063 P - - Creep Factor: 2.0 Max TC CSI: 0.437 Max BC CSI: 0.911 Max Web CSI: 0.860 VIEW Ver: 24.02.00D.0114.10	▲ Maximum Reactions (lbs) Gravity Loc R+ / R- / Rh / Rw / U / RL B 374 - / - / - /157 /66 /359 W 2450 - / - / - /1341 /343 - / - P 2137 - / - / - /1170 /304 - / - N 248 - /25 - / - /87 /42 - / - Wind reactions based on MWFRS B Brg Wid = 3.5 Min Req = 1.5 (Truss) W Brg Wid = 4.0 Min Req = 2.5 (Truss) P Brg Wid = 4.0 Min Req = 2.1 (Truss) N Brg Wid = 3.5 Min Req = 1.5 (Truss) Bearings B, W, P, & N are a rigid surface. Members not listed have forces less than 375#
				▲ Maximum Top Chord Forces Per Ply (lbs) Chords Tens.Comp. Chords Tens. Comp. D - E 427 -138 I - J 701 -1642 E - F 432 -76 J - K 610 -1515 F - G 597 -1376 K - L 469 -31 G - H 845 -1464 M - N 381 -99 H - I 845 -1464

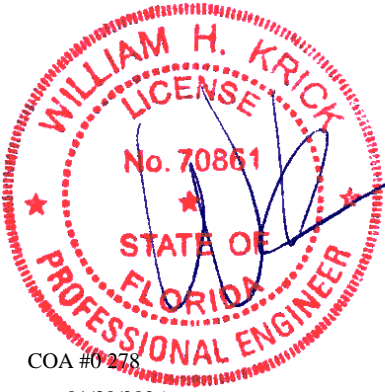
Lumber
 Top chord: 2x4 SP #2;
 Bot chord: 2x4 SP #2;
 Webs: 2x4 SP #3;

Bracing
 (a) Continuous lateral restraint equally spaced on member.

Loading
 Truss passed check for 20 psf additional bottom chord live load in areas with 42"-high x 24"-wide clearance.

Wind
 Wind loads based on MWFRS with additional C&C member design.
 Wind loading based on both gable and hip roof types.

Additional Notes
 WARNING: Furnish a copy of this DWG to the installation contractor. Special care must be taken during handling, shipping and installation of trusses. See "WARNING" note below.
 The overall height of this truss excluding overhang is 10'-3-4".



COA #0278
 01/30/2026
 Florida Certificate of Product Approval #FL 1999

Maximum Bot Chord Forces Per Ply (lbs)

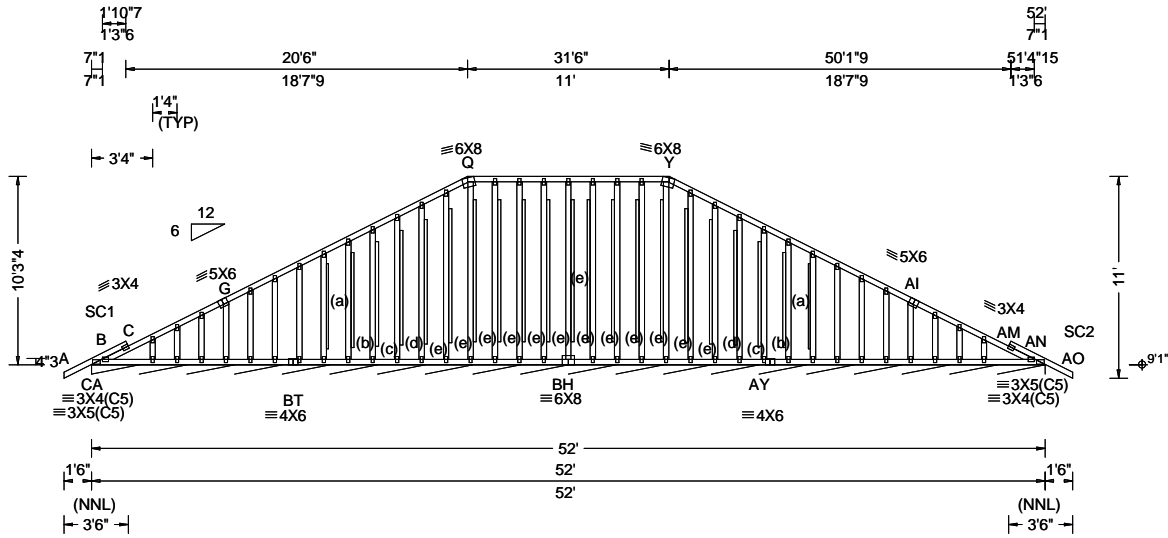
Chords	Tens.Comp.	Chords	Tens. Comp.
W - V	783 -77	S - R	1395 -204
V - U	783 -77	R - Q	1395 -204
U - T	1171 -36	Q - P	964 -141
T - S	1408 -113		

Maximum Web Forces Per Ply (lbs)

Webs	Tens.Comp.	Webs	Tens. Comp.
C - W	265 -403	H - T	253 -407
W - F	593 -1977	J - Q	131 -394
F - U	752 -50	Q - K	676 -61
G - T	571 -233	K - P	659 -2154

****WARNING** READ AND FOLLOW ALL NOTES ON THIS DRAWING!**
****IMPORTANT** FURNISH THIS DRAWING TO ALL CONTRACTORS INCLUDING THE INSTALLERS**
 Trusses require extreme care in fabricating, handling, shipping, installing and bracing. Refer to and follow the latest edition of BCSI (Building Component Safety Information, by TPI and SBCA) for safety practices prior to performing these functions. Installers shall provide temporary bracing per BCSI. Unless noted otherwise, top chord shall have properly attached structural sheathing and bottom chord shall have a properly attached rigid ceiling. Locations shown for permanent lateral restraint of webs shall have continuous lateral restraint (CLR), installed with diagonal bracing installed on the CLR per BCSI sections B3, B7, or B10, as applicable. Apply plates to each face of truss and position as shown above and on the Joint Details, unless noted otherwise. Refer to drawings 160A-Z for standard plate positions. Refer to job's General Notes page for additional information.
 Alpine, a division of ITW Building Components Group Inc. shall not be responsible for any deviation from this drawing, any failure to build the truss in conformance with ANSI/TPI 1, or for handling, shipping, installation and bracing of trusses. A seal on this drawing or cover page listing this drawing, indicates acceptance of professional engineering responsibility solely for the design shown. The suitability and use of this drawing for any structure is the responsibility of the Building Designer per ANSI/TPI 1 Sec.2.
 For more information see these web sites: Alpine: alpineitw.com; TPI: tpinst.org; SBCA: sbccomponents.com; ICC: iccsafe.org; AWC: awc.org





Loading Criteria (psf) TCLL: 20.00 TC DL: 10.00 BCLL: 0.00 BCDL: 10.00 Des Ld: 40.00 NCBCLL: 10.00 Soffit: 2.00 Load Duration: 1.25 Spacing: 24.0 "	Wind Criteria Wind Std: ASCE 7-22 Speed: 130 mph Enclosure: Enclosed Risk Category: II EXP: C Kzt: NA Mean Height: 15.56 ft TC DL: 5.0 psf BCDL: 5.0 psf MWFRS Parallel Dist: 0 to h/2 C&C Dist a: 5.20 ft Loc. from endwall: Any GCp: 0.18 Wind Duration: 1.60	Snow Criteria (Pg,Pf in PSF) Pg: NA Ct: NA CAT: NA Pf: NA Ce: NA Lu: NA Cs: NA Snow Duration: NA Building Code: FBC 8th Ed. 2023 Res. TPI Std: 2014 Rep Fac: No FT/RT:20(0)/10(0) Plate Type(s): WAVE	Defl/CSI Criteria PP Deflection in loc L/defl L/# VERT(LL): 0.003 C 999 360 VERT(CL): 0.004 C 999 240 HORZ(LL): -0.001 E - - HORZ(TL): 0.014 AF - - Creep Factor: 2.0 Max TC CSI: 0.236 Max BC CSI: 0.069 Max Web CSI: 0.981 VIEW Ver: 24.02.00D.0114.10	▲ Maximum Reactions (lbs), or *=PLF <table border="1"> <thead> <tr> <th colspan="2">Gravity</th> <th colspan="4">Non-Gravity</th> </tr> <tr> <th>Loc</th> <th>R+ / R-</th> <th>/ Rh</th> <th>/ Rw</th> <th>/ U</th> <th>/ RL</th> </tr> </thead> <tbody> <tr> <td>CA*123</td> <td>- / -</td> <td>- / -</td> <td>/48</td> <td>/9</td> <td>/6</td> </tr> </tbody> </table>	Gravity		Non-Gravity				Loc	R+ / R-	/ Rh	/ Rw	/ U	/ RL	CA*123	- / -	- / -	/48	/9	/6
				Gravity		Non-Gravity																
Loc	R+ / R-	/ Rh	/ Rw	/ U	/ RL																	
CA*123	- / -	- / -	/48	/9	/6																	
Maximum Top Chord Forces Per Ply (lbs) <table border="1"> <thead> <tr> <th>Chords</th> <th>Tens.Comp.</th> <th>Chords</th> <th>Tens. Comp.</th> </tr> </thead> <tbody> <tr> <td>G - Q</td> <td>537 -150</td> <td>Y -AI</td> <td>479 -62</td> </tr> <tr> <td>Q - Y</td> <td>507 -43</td> <td></td> <td></td> </tr> </tbody> </table>				Chords	Tens.Comp.	Chords	Tens. Comp.	G - Q	537 -150	Y -AI	479 -62	Q - Y	507 -43									
Chords	Tens.Comp.	Chords	Tens. Comp.																			
G - Q	537 -150	Y -AI	479 -62																			
Q - Y	507 -43																					

Lumber

Top chord: 2x4 SP #2;
 Bot chord: 2x4 SP #2;
 Webs: 2x4 SP #3;
 Stack Chord: SC1 2x4 SP #2;
 Stack Chord: SC2 2x4 SP #2;

Plating Notes

All plates are 2X4 except as noted.

Loading

Truss designed to support 1-0-0 top chord outlookers and cladding load not to exceed 5.00 PSF one face and 24.0" span opposite face. Top chord must not be cut or notched, unless specified otherwise.

Wind

Wind loads based on MWFRS with additional C&C member design.

Wind loading based on both gable and hip roof types.

Gable meets L/120 deflection criteria for wind load applied to face. Calculated deflection ratio is L/214.



COA #0278

Florida Certificate of Product Approval #FL 1999

****WARNING** READ AND FOLLOW ALL NOTES ON THIS DRAWING!**
****IMPORTANT** FURNISH THIS DRAWING TO ALL CONTRACTORS INCLUDING THE INSTALLERS**
 Trusses require extreme care in fabricating, handling, shipping, installing and bracing. Refer to and follow the latest edition of BCSI (Building Component Safety Information, by TPI and SBCA) for safety practices prior to performing these functions. Installers shall provide temporary bracing per BCSI. Unless noted otherwise, top chord shall have properly attached structural sheathing and bottom chord shall have a properly attached rigid ceiling. Locations shown for permanent lateral restraint of webs shall have continuous lateral restraint (CLR), installed with diagonal bracing installed on the CLR per BCSI sections B3, B7, or B10, as applicable. Apply plates to each face of truss and position as shown above and on the Joint Details, unless noted otherwise. Refer to drawings 160A-Z for standard plate positions. Refer to job's General Notes page for additional information.
 Alpine, a division of ITW Building Components Group Inc. shall not be responsible for any deviation from this drawing, any failure to build the truss in conformance with ANSI/TPI 1, or for handling, shipping, installation and bracing of trusses. A seal on this drawing or cover page listing this drawing, indicates acceptance of professional engineering responsibility solely for the design shown. The suitability and use of this drawing for any structure is the responsibility of the Building Designer per ANSI/TPI 1 Sec.2.
 For more information see these web sites: Alpine: alpineitw.com; TPI: tpinst.org; SBCA: sbccomponents.com; ICC: iccsafe.org; AWC: awc.org



SEQN: 724086	GABL	Ply: 1	Job Number: 26-3443	Cust: R 215 JRef: 1YH82150007 T12
FROM: RFG		Qty: 2	THOMAS MENENDEZ - SPEC HOUSE	DrwNo: 030.26.1452.12740
Page 2 of 2			Truss Label: A1E	SSB / WHK 01/30/2006

Gable Reinforcement

- (a) 1x4 SP/DF #2 or better "L" reinforcement. 80% length of web member. Attach with 10d (0.131"x3",min.) nails @ 2" oc at each end for the first 18" and then 4" oc for the remainder.
- (b) 2x4 "L" reinforcement. Any species and grade. 80% length of web member. Attach with 10d (0.131"x3",min.) nails @ 2" oc at each end for the first 18" and then 4" oc for the remainder.
- (c) 2x4 "L" reinforcement. Same species and grade as web. 80% length of web member. Attach with 10d (0.131"x3",min.) nails @ 2" oc at each end for the first 18" and then 4" oc for the remainder.
- (d) 2x4 SP/DF #2 or better "L" reinforcement. 80% length of web member. Attach with 10d (0.131"x3",min.) nails @ 2" oc at each end for the first 18" and then 4" oc for the remainder.
- (e) 2x6 "L" reinforcement. Any species and grade. 80% length of web member. Attach with 10d (0.131"x3",min.) nails @ 2" oc at each end for the first 18" and then 4" oc for the remainder.

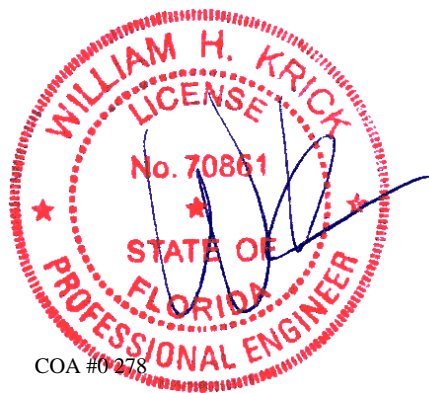
Additional Notes

Exposed portion of gable face shall be reinforced with sheathing and the wind pressures shall be transferred into lateral diaphragms. Connections and designs for diaphragms is the responsibility of the Building Designer in accordance with ANSI/TPI 1.

Stacked top chord must NOT be notched or cut in area (NNL). Dropped top chord braced at 24" oc intervals. Attach stacked top chord (SC) to dropped top chord in notchable area using 3x4 tie-plates 24" oc. Center plate on stacked/dropped chord interface, plate length perpendicular to chord length. Splice top chord in notchable area using 3x6.

WARNING: Furnish a copy of this DWG to the installation contractor. Special care must be taken during handling, shipping and installation of trusses. See "WARNING" note below.

The overall height of this truss excluding overhang is 10-3-4.

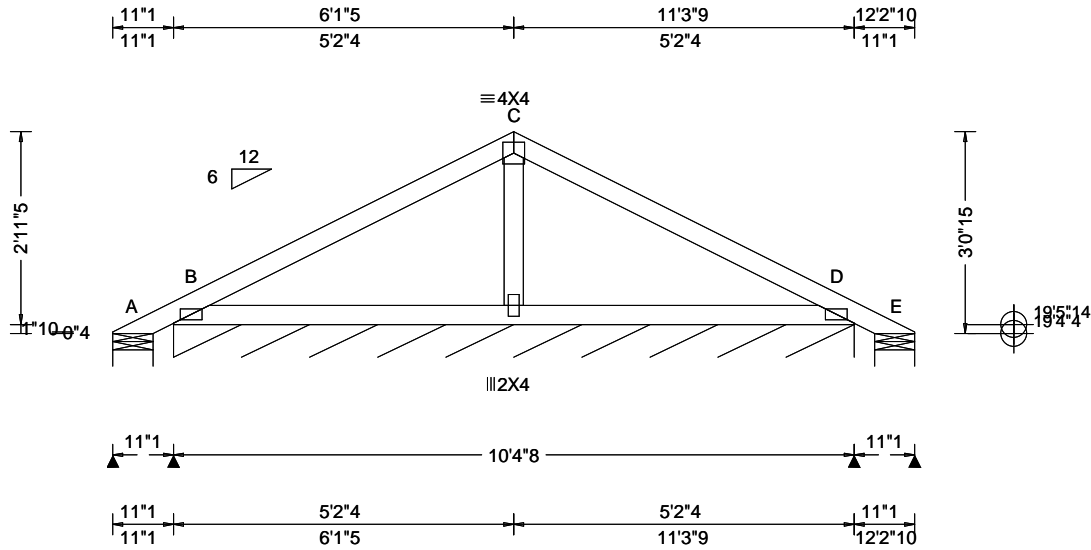


COA #0278

Florida Certificate of Product Approval #FL 1999

****WARNING** READ AND FOLLOW ALL NOTES ON THIS DRAWING!**
****IMPORTANT** FURNISH THIS DRAWING TO ALL CONTRACTORS INCLUDING THE INSTALLERS**
 Trusses require extreme care in fabricating, handling, shipping, installing and bracing. Refer to and follow the latest edition of BCSI (Building Component Safety Information, by TPI and SBCA) for safety practices prior to performing these functions. Installers shall provide temporary bracing per BCSI. Unless noted otherwise, top chord shall have properly attached structural sheathing and bottom chord shall have a properly attached rigid ceiling. Locations shown for permanent lateral restraint of webs shall have continuous lateral restraint (CLR), installed with diagonal bracing installed on the CLR per BCSI sections B3, B7, or B10, as applicable. Apply plates to each face of truss and position as shown above and on the Joint Details, unless noted otherwise. Refer to drawings 160A-Z for standard plate positions. Refer to job's General Notes page for additional information.
 Alpine, a division of ITW Building Components Group Inc. shall not be responsible for any deviation from this drawing, any failure to build the truss in conformance with ANSI/TPI 1, or for handling, shipping, installation and bracing of trusses. A seal on this drawing or cover page listing this drawing, indicates acceptance of professional engineering responsibility solely for the design shown. The suitability and use of this drawing for any structure is the responsibility of the Building Designer per ANSI/TPI 1 Sec.2.
 For more information see these web sites: Alpine: alpineitw.com; TPI: tpinst.org; SBCA: sbcacomponents.com; ICC: iccsafe.org; AWC: awc.org





Loading Criteria (psf) TCLL: 20.00 TCDL: 10.00 BCLL: 0.00 BCDL: 10.00 Des Ld: 40.00 NCBCLL: 10.00 Soffit: 2.00 Load Duration: 1.25 Spacing: 24.0 "	Wind Criteria Wind Std: ASCE 7-22 Speed: 130 mph Enclosure: Enclosed Risk Category: II EXP: C Kzt: NA Mean Height: 15.56 ft TCDL: 5.0 psf BCDL: 5.0 psf MWFRS Parallel Dist: 0 to h/2 C&C Dist a: 3.12 ft Loc. from endwall: Any GCp: 0.18 Wind Duration: 1.60	Snow Criteria (Pg,Pf in PSF) Pg: NA Ct: NA CAT: NA Pf: NA Ce: NA Lu: NA Cs: NA Snow Duration: NA Building Code: FBC 8th Ed. 2023 Res. TPI Std: 2014 Rep Fac: Yes FT/RT:20(0)/10(0) Plate Type(s): WAVE	Defl/CSI Criteria PP Deflection in loc L/defl L/# VERT(LL): 0.000 - - 360 VERT(CL): 0.000 - - 240 HORZ(LL): 0.000 - - - HORZ(TL): 0.000 - - - Creep Factor: 2.0 Max TC CSI: 0.297 Max BC CSI: 0.204 Max Web CSI: 0.031 VIEW Ver: 24.02.00D.0114.10	▲ Maximum Reactions (lbs), or *=PLF Gravity Non-Gravity Loc R+ / R- / Rh / Rw / U / RL A - /-140 /- /77 /142 /82 B* 119 /- /- /66 /28 /- E - /-151 /- /60 /106 /- Wind reactions based on MWFRS A Brg Wid = 7.3 Min Req = 1.5 (Truss) B Brg Wid = 124 Min Req = - E Brg Wid = 7.3 Min Req = 1.5 (Truss) Bearings A, B, & E are a rigid surface. Members not listed have forces less than 375#
--	--	--	---	---

Lumber

Top chord: 2x4 SP #2;
Bot chord: 2x4 SP #2;
Webs: 2x4 SP #3;

Plating Notes

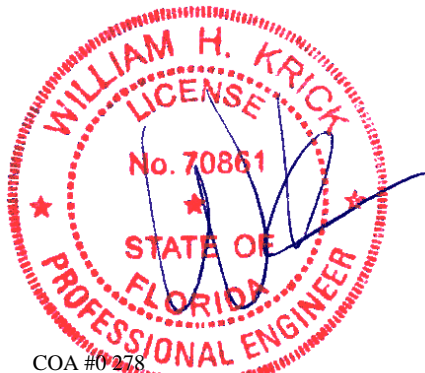
All plates are 2X4(A1) except as noted.

Wind

Wind loads based on MWFRS with additional C&C member design.
Wind loading based on both gable and hip roof types.

Additional Notes

Refer to DWG PB160220723 for piggyback details.
The overall height of this truss excluding overhang is 3-0-15.



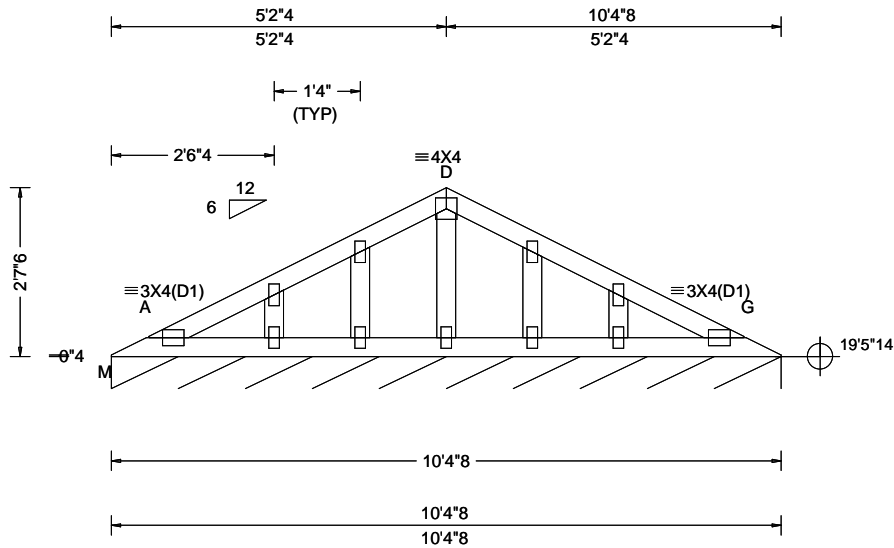
COA #0278

Florida Certificate of Product Approval #FL 1999

****WARNING** READ AND FOLLOW ALL NOTES ON THIS DRAWING!**
****IMPORTANT** FURNISH THIS DRAWING TO ALL CONTRACTORS INCLUDING THE INSTALLERS**
Trusses require extreme care in fabricating, handling, shipping, installing and bracing. Refer to and follow the latest edition of BCSI (Building Component Safety Information, by TPI and SBCA) for safety practices prior to performing these functions. Installers shall provide temporary bracing per BCSI. Unless noted otherwise, top chord shall have properly attached structural sheathing and bottom chord shall have a properly attached rigid ceiling. Locations shown for permanent lateral restraint of webs shall have continuous lateral restraint (CLR), installed with diagonal bracing installed on the CLR per BCSI sections B3, B7, or B10, as applicable. Apply plates to each face of truss and position as shown above and on the Joint Details, unless noted otherwise. Refer to drawings 160A-Z for standard plate positions. Refer to job's General Notes page for additional information.
Alpine, a division of ITW Building Components Group Inc. shall not be responsible for any deviation from this drawing, any failure to build the truss in conformance with ANSI/TPI 1, or for handling, shipping, installation and bracing of trusses. A seal on this drawing or cover page listing this drawing, indicates acceptance of professional engineering responsibility solely for the design shown. The suitability and use of this drawing for any structure is the responsibility of the Building Designer per ANSI/TPI 1 Sec.2.
For more information see these web sites: Alpine: alpineitw.com; TPI: tpinst.org; SBCA: sbccomponents.com; ICC: iccsafe.org; AWC: awc.org



SEQN: 724107 FROM: RFG	GABL Ply: 1 Qty: 2	Job Number: 26-3443 THOMAS MENENDEZ - SPEC HOUSE Truss Label: P1E	Cust: R215 JRef: 1YH82150007 T9 DrwNo: 030.26.1452.05147 SSB / WHK 01/30/2026
---------------------------	--------------------------	---	---



Loading Criteria (psf) TCCL: 20.00 TCDL: 10.00 BCCL: 0.00 BCDL: 10.00 Des Ld: 40.00 NCBCLL: 10.00 Soffit: 2.00 Load Duration: 1.25 Spacing: 24.0 "	Wind Criteria Wind Std: ASCE 7-22 Speed: 130 mph Enclosure: Enclosed Risk Category: II EXP: C Kzt: NA Mean Height: 20.95 ft TCDL: 5.0 psf BCDL: 5.0 psf MWFRS Parallel Dist: 0 to h/2 C&C Dist a: 3.12 ft Loc. from endwall: Any GCpi: 0.18 Wind Duration: 1.60	Snow Criteria (Pg,Pf in PSF) Pg: NA Ct: NA CAT: NA Pf: NA Ce: NA Lu: NA Cs: NA Snow Duration: NA Building Code: FBC 8th Ed. 2023 Res. TPI Std: 2014 Rep Fac: Yes FT/RT:20(0)/10(0) Plate Type(s): WAVE	Defl/CSI Criteria PP Deflection in loc L/defl L/# VERT(LL): 0.000 - - 360 VERT(CL): 0.000 - - 240 HORZ(LL): 0.000 - - - HORZ(TL): 0.000 - - - Creep Factor: 2.0 Max TC CSI: 0.057 Max BC CSI: 0.039 Max Web CSI: 0.068 VIEW Ver: 24.02.00D.0114.10	▲ Maximum Reactions (lbs), or *=PLF <table border="1"> <thead> <tr> <th colspan="3">Gravity</th> <th colspan="3">Non-Gravity</th> </tr> <tr> <th>Loc</th> <th>R+</th> <th>/R-</th> <th>/Rh</th> <th>/Rw</th> <th>/U</th> <th>/RL</th> </tr> </thead> <tbody> <tr> <td>M*</td> <td>82</td> <td>/-</td> <td>/-</td> <td>/42</td> <td>/18</td> <td>/6</td> </tr> </tbody> </table> Wind reactions based on MWFRS M Brg Wid = 124 Min Req = - Bearing M is a rigid surface. Members not listed have forces less than 375#	Gravity			Non-Gravity			Loc	R+	/R-	/Rh	/Rw	/U	/RL	M*	82	/-	/-	/42	/18	/6
Gravity			Non-Gravity																					
Loc	R+	/R-	/Rh	/Rw	/U	/RL																		
M*	82	/-	/-	/42	/18	/6																		

Lumber

Top chord: 2x4 SP #2;
 Bot chord: 2x4 SP #2;
 Webs: 2x4 SP #3;

Plating Notes

All plates are 2X4 except as noted.

Purlins

In lieu of structural panels use purlins to brace TC @ 24" oc.

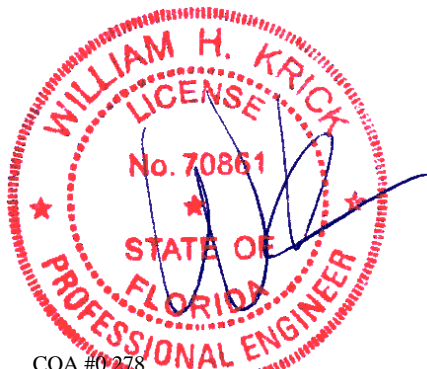
Wind

Wind loads based on MWFRS with additional C&C member design.
 Wind loading based on both gable and hip roof types.
 Gable meets L/120 deflection criteria for wind load applied to face. Calculated deflection ratio is L/999.

Additional Notes

Exposed portion of gable face shall be reinforced with sheathing and the wind pressures shall be transferred into lateral diaphragms. Connections and designs for diaphragms is the responsibility of the Building Designer in accordance with ANSI/TPI 1.

The overall height of this truss excluding overhang is 2-9-0.

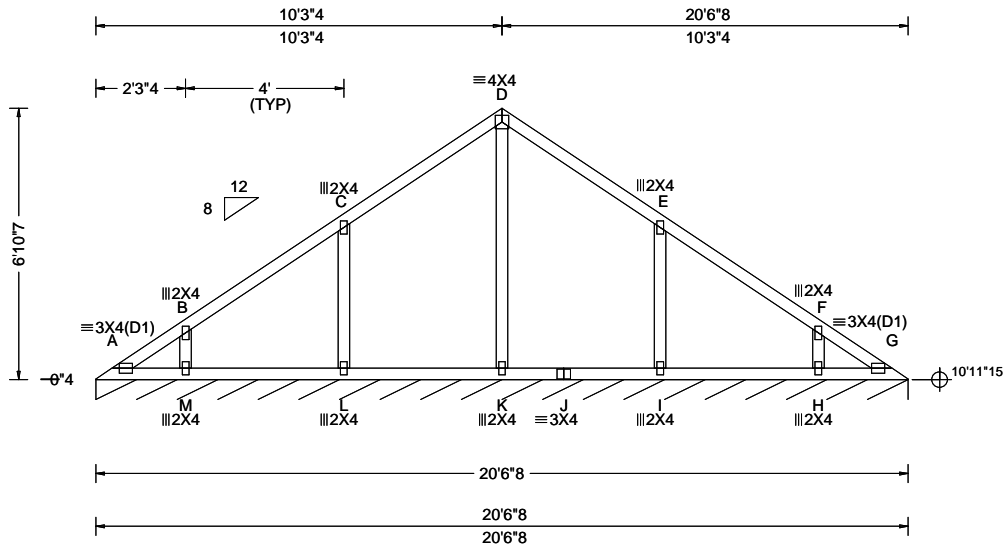


COA #0278

Florida Certificate of Product Approval #FL 1999

****WARNING** READ AND FOLLOW ALL NOTES ON THIS DRAWING!**
****IMPORTANT** FURNISH THIS DRAWING TO ALL CONTRACTORS INCLUDING THE INSTALLERS**
 Trusses require extreme care in fabricating, handling, shipping, installing and bracing. Refer to and follow the latest edition of BCSI (Building Component Safety Information, by TPI and SBCA) for safety practices prior to performing these functions. Installers shall provide temporary bracing per BCSI. Unless noted otherwise, top chord shall have properly attached structural sheathing and bottom chord shall have a properly attached rigid ceiling. Locations shown for permanent lateral restraint of webs shall have continuous lateral restraint (CLR), installed with diagonal bracing installed on the CLR per BCSI sections B3, B7, or B10, as applicable. Apply plates to each face of truss and position as shown above and on the Joint Details, unless noted otherwise. Refer to drawings 160A-Z for standard plate positions. Refer to job's General Notes page for additional information.
 Alpine, a division of ITW Building Components Group Inc. shall not be responsible for any deviation from this drawing, any failure to build the truss in conformance with ANSI/TPI 1, or for handling, shipping, installation and bracing of trusses. A seal on this drawing or cover page listing this drawing, indicates acceptance of professional engineering responsibility solely for the design shown. The suitability and use of this drawing for any structure is the responsibility of the Building Designer per ANSI/TPI 1 Sec.2.
 For more information see these web sites: Alpine: alpineitw.com; TPI: tpinst.org; SBCA: sbcacomponents.com; ICC: iccsafe.org; AWC: awc.org





Loading Criteria (psf) TCLL: 20.00 TCDL: 10.00 BCLL: 0.00 BCDL: 10.00 Des Ld: 40.00 NCBCLL: 10.00 Soffit: 2.00 Load Duration: 1.25 Spacing: 24.0 "	Wind Criteria Wind Std: ASCE 7-22 Speed: 130 mph Enclosure: Enclosed Risk Category: II EXP: C Kzt: NA Mean Height: 15.00 ft TCDL: 5.0 psf BCDL: 5.0 psf MWFRS Parallel Dist: 0 to h/2 C&C Dist a: 3.00 ft Loc. from endwall: Any GCpi: 0.18 Wind Duration: 1.60	Snow Criteria (Pg,Pf in PSF) Pg: NA Ct: NA CAT: NA Pf: NA Ce: NA Lu: NA Cs: NA Snow Duration: NA Building Code: FBC 8th Ed. 2023 Res. TPI Std: 2014 Rep Fac: Yes FT/RT:20(0)/10(0) Plate Type(s): WAVE	Defl/CSI Criteria PP Deflection in loc L/defl L/# VERT(LL): 0.001 D 999 360 VERT(CL): 0.002 D 999 240 HORZ(LL): -0.000 A - - HORZ(TL): 0.003 C - - Creep Factor: 2.0 Max TC CSI: 0.218 Max BC CSI: 0.117 Max Web CSI: 0.150 VIEW Ver: 24.02.00D.0114.10	▲ Maximum Reactions (lbs), or *=PLF Gravity Non-Gravity Loc R+ / R- / Rh / Rw / U / RL G* 84 /- /- /44 /12 /9 Wind reactions based on MWFRS G Brg Wid = 246 Min Req = - Bearing A is a rigid surface. Members not listed have forces less than 375#
--	---	--	--	---

Lumber

Top chord: 2x4 SP #2;
Bot chord: 2x4 SP #2;
Webs: 2x4 SP #3;

Wind

Wind loads based on MWFRS with additional C&C member design.
Wind loading based on both gable and hip roof types.

Additional Notes

See DWGS VALTN220723 and VAL180220723 for valley details.
The overall height of this truss excluding overhang is 6-10-7.

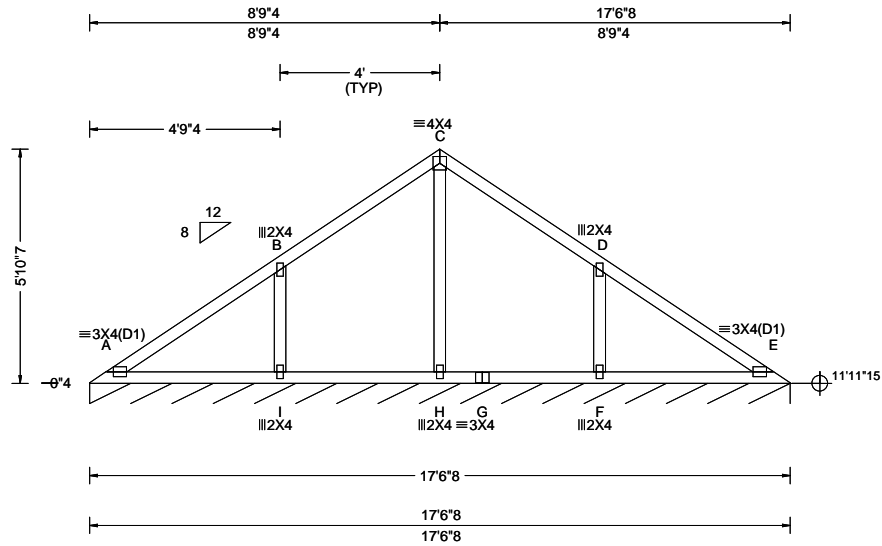


COA #0278

01/30/2026
Florida Certificate of Product Approval #FL 1999

****WARNING** READ AND FOLLOW ALL NOTES ON THIS DRAWING!**
****IMPORTANT** FURNISH THIS DRAWING TO ALL CONTRACTORS INCLUDING THE INSTALLERS**
Trusses require extreme care in fabricating, handling, shipping, installing and bracing. Refer to and follow the latest edition of BCSI (Building Component Safety Information, by TPI and SBCA) for safety practices prior to performing these functions. Installers shall provide temporary bracing per BCSI. Unless noted otherwise, top chord shall have properly attached structural sheathing and bottom chord shall have a properly attached rigid ceiling. Locations shown for permanent lateral restraint of webs shall have continuous lateral restraint (CLR), installed with diagonal bracing installed on the CLR per BCSI sections B3, B7, or B10, as applicable. Apply plates to each face of truss and position as shown above and on the Joint Details, unless noted otherwise. Refer to drawings 160A-Z for standard plate positions. Refer to job's General Notes page for additional information.
Alpine, a division of ITW Building Components Group Inc. shall not be responsible for any deviation from this drawing, any failure to build the truss in conformance with ANSI/TPI 1, or for handling, shipping, installation and bracing of trusses. A seal on this drawing or cover page listing this drawing, indicates acceptance of professional engineering responsibility solely for the design shown. The suitability and use of this drawing for any structure is the responsibility of the Building Designer per ANSI/TPI 1 Sec.2.
For more information see these web sites: Alpine: alpineitw.com; TPI: tpinst.org; SBCA: sbccomponents.com; ICC: iccsafe.org; AWC: awc.org





Loading Criteria (psf) TCLL: 20.00 TCDL: 10.00 BCLL: 0.00 BCDL: 10.00 Des Ld: 40.00 NCBCLL: 10.00 Soffit: 2.00 Load Duration: 1.25 Spacing: 24.0 "	Wind Criteria Wind Std: ASCE 7-22 Speed: 130 mph Enclosure: Enclosed Risk Category: II EXP: C Kzt: NA Mean Height: 15.08 ft TCDL: 5.0 psf BCDL: 5.0 psf MWFRS Parallel Dist: 0 to h/2 C&C Dist a: 3.00 ft Loc. from endwall: not in 4.50 ft GCp: 0.18 Wind Duration: 1.60	Snow Criteria (Pg,Pf in PSF) Pg: NA Ct: NA CAT: NA Pf: NA Ce: NA Lu: NA Cs: NA Snow Duration: NA Building Code: FBC 8th Ed. 2023 Res. TPI Std: 2014 Rep Fac: Yes FT/RT:20(0)/10(0) Plate Type(s): WAVE	Defl/CSI Criteria PP Deflection in loc L/defl L/# VERT(LL): 0.008 E 999 360 VERT(CL): 0.018 E 999 240 HORZ(LL): 0.003 A - - HORZ(TL): 0.007 A - - Creep Factor: 2.0 Max TC CSI: 0.347 Max BC CSI: 0.193 Max Web CSI: 0.178 VIEW Ver: 24.02.00D.0114.10	▲ Maximum Reactions (lbs), or *=PLF Gravity Non-Gravity Loc R+ / R- / Rh / Rw / U / RL E* 84 /- /- /44 /12 /9 Wind reactions based on MWFRS E Brg Wid = 210 Min Req = - Bearing A is a rigid surface. Members not listed have forces less than 375#
--	---	--	---	---

Lumber

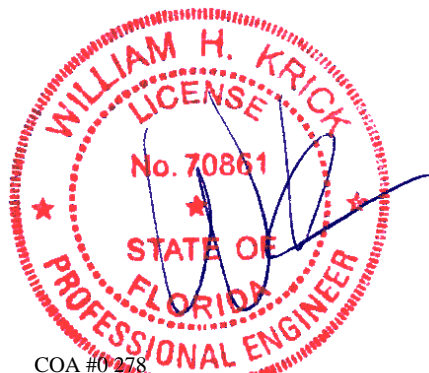
Top chord: 2x4 SP #2;
Bot chord: 2x4 SP #2;
Webs: 2x4 SP #3;

Wind

Wind loads based on MWFRS with additional C&C member design.
Wind loading based on both gable and hip roof types.

Additional Notes

See DWGS VALTN220723 and VAL180220723 for valley details.
The overall height of this truss excluding overhang is 5-10-7.



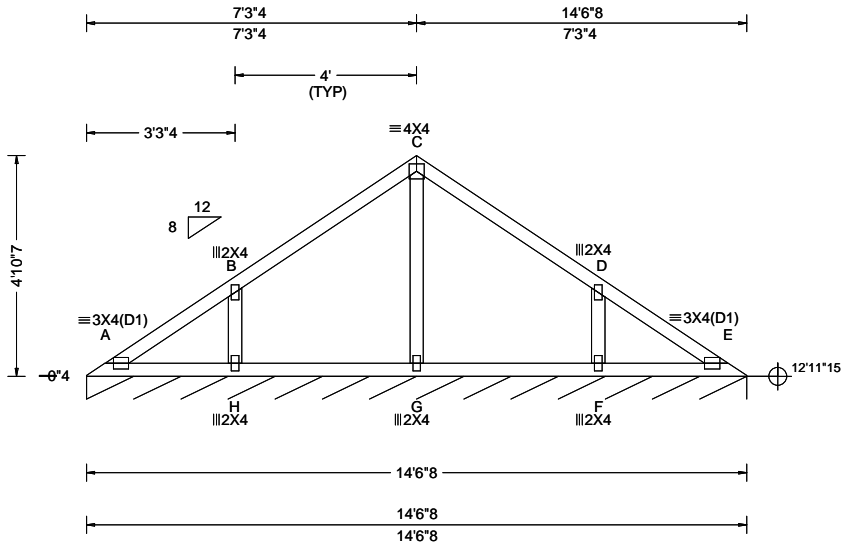
COA #0278

01/30/2026
Florida Certificate of Product Approval #FL 1999

****WARNING** READ AND FOLLOW ALL NOTES ON THIS DRAWING!**
****IMPORTANT** FURNISH THIS DRAWING TO ALL CONTRACTORS INCLUDING THE INSTALLERS**
Trusses require extreme care in fabricating, handling, shipping, installing and bracing. Refer to and follow the latest edition of BCSI (Building Component Safety Information, by TPI and SBCA) for safety practices prior to performing these functions. Installers shall provide temporary bracing per BCSI. Unless noted otherwise, top chord shall have properly attached structural sheathing and bottom chord shall have a properly attached rigid ceiling. Locations shown for permanent lateral restraint of webs shall have continuous lateral restraint (CLR), installed with diagonal bracing installed on the CLR per BCSI sections B3, B7, or B10, as applicable. Apply plates to each face of truss and position as shown above and on the Joint Details, unless noted otherwise. Refer to drawings 160A-Z for standard plate positions. Refer to job's General Notes page for additional information.
Alpine, a division of ITW Building Components Group Inc. shall not be responsible for any deviation from this drawing, any failure to build the truss in conformance with ANSI/TPI 1, or for handling, shipping, installation and bracing of trusses. A seal on this drawing or cover page listing this drawing, indicates acceptance of professional engineering responsibility solely for the design shown. The suitability and use of this drawing for any structure is the responsibility of the Building Designer per ANSI/TPI 1 Sec.2.
For more information see these web sites: Alpine: alpineitw.com; TPI: tpinst.org; SBCA: sbcacomponents.com; ICC: iccsafe.org; AWC: awc.org



SEQN: 724093 FROM: RFG	VAL Ply: 1 Qty: 1	Job Number: 26-3443 THOMAS MENENDEZ - SPEC HOUSE Truss Label: V4	Cust: R215 JRef: 1YH82150007 T4 DrwNo: 030.26.1451.52360 SSB / WHK 01/30/2026
---------------------------	-------------------------	--	---



Loading Criteria (psf) TCLL: 20.00 TCDL: 10.00 BCLL: 0.00 BCDL: 10.00 Des Ld: 40.00 NCBCLL: 10.00 Soffit: 2.00 Load Duration: 1.25 Spacing: 24.0 "	Wind Criteria Wind Std: ASCE 7-22 Speed: 130 mph Enclosure: Enclosed Risk Category: II EXP: C Kzt: NA Mean Height: 15.58 ft TCDL: 5.0 psf BCDL: 5.0 psf MWFRS Parallel Dist: 0 to h/2 C&C Dist a: 3.00 ft Loc. from endwall: not in 4.50 ft GCpi: 0.18 Wind Duration: 1.60	Snow Criteria (Pg,Pf in PSF) Pg: NA Ct: NA CAT: NA Pf: NA Ce: NA Lu: NA Cs: NA Snow Duration: NA Building Code: FBC 8th Ed. 2023 Res. TPI Std: 2014 Rep Fac: Yes FT/RT:20(0)/10(0) Plate Type(s): WAVE	Defl/CSI Criteria PP Deflection in loc L/defl L/# VERT(LL): 0.003 A 999 360 VERT(CL): 0.004 A 999 240 HORZ(LL): -0.001 E - - HORZ(TL): 0.002 B - - Creep Factor: 2.0 Max TC CSI: 0.256 Max BC CSI: 0.113 Max Web CSI: 0.089 VIEW Ver: 24.02.00D.0114.10	▲ Maximum Reactions (lbs), or *=PLF Gravity Non-Gravity Loc R+ /R- / Rh / Rw / U / RL E* 84 /- /- /44 /12 /9 Wind reactions based on MWFRS E Brg Wid = 174 Min Req = - Bearing A is a rigid surface. Members not listed have forces less than 375#
--	--	--	--	--

Lumber

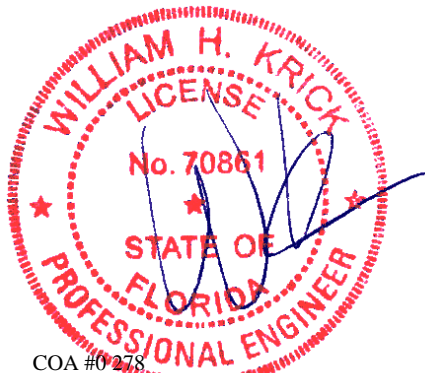
Top chord: 2x4 SP #2;
Bot chord: 2x4 SP #2;
Webs: 2x4 SP #3;

Wind

Wind loads based on MWFRS with additional C&C member design.
Wind loading based on both gable and hip roof types.

Additional Notes

See DWGS VALTN220723 and VAL180220723 for valley details.
The overall height of this truss excluding overhang is 4-10-7.



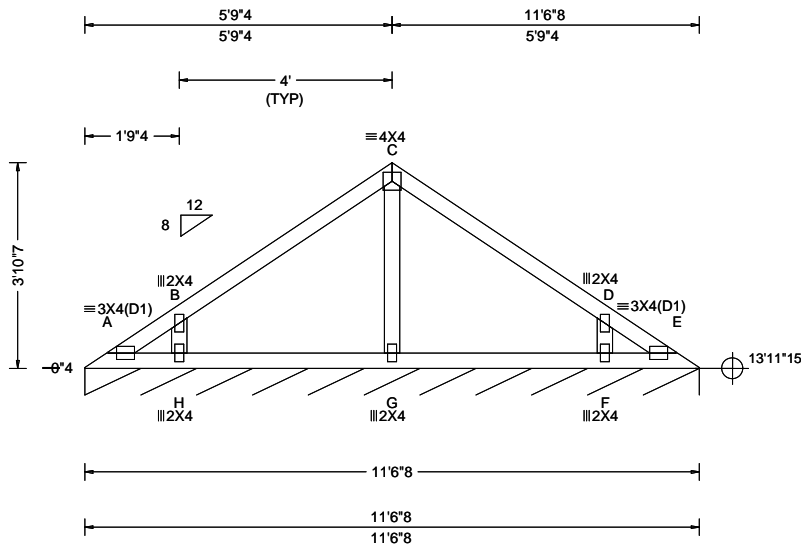
COA #0278

Florida Certificate of Product Approval #FL 1999

****WARNING** READ AND FOLLOW ALL NOTES ON THIS DRAWING!**
****IMPORTANT** FURNISH THIS DRAWING TO ALL CONTRACTORS INCLUDING THE INSTALLERS**
Trusses require extreme care in fabricating, handling, shipping, installing and bracing. Refer to and follow the latest edition of BCSI (Building Component Safety Information, by TPI and SBCA) for safety practices prior to performing these functions. Installers shall provide temporary bracing per BCSI. Unless noted otherwise, top chord shall have properly attached structural sheathing and bottom chord shall have a properly attached rigid ceiling. Locations shown for permanent lateral restraint of webs shall have continuous lateral restraint (CLR), installed with diagonal bracing installed on the CLR per BCSI sections B3, B7, or B10, as applicable. Apply plates to each face of truss and position as shown above and on the Joint Details, unless noted otherwise. Refer to drawings 160A-Z for standard plate positions. Refer to job's General Notes page for additional information.
Alpine, a division of ITW Building Components Group Inc. shall not be responsible for any deviation from this drawing, any failure to build the truss in conformance with ANSI/TPI 1, or for handling, shipping, installation and bracing of trusses. A seal on this drawing or cover page listing this drawing, indicates acceptance of professional engineering responsibility solely for the design shown. The suitability and use of this drawing for any structure is the responsibility of the Building Designer per ANSI/TPI 1 Sec.2.
For more information see these web sites: Alpine: alpineitw.com; TPI: tpinst.org; SBCA: sbcacomponents.com; ICC: iccsafe.org; AWC: awc.org



SEQN: 724094 FROM: RFG	VAL Ply: 1 Qty: 1	Job Number: 26-3443 THOMAS MENENDEZ - SPEC HOUSE Truss Label: V5	Cust: R215 JRef: 1YH82150007 T5 DrwNo: 030.26.1451.51410 SSB / WHK 01/30/2026
---------------------------	-------------------------	--	---



Loading Criteria (psf) TCLL: 20.00 TCCL: 10.00 BCLL: 0.00 BCDL: 10.00 Des Ld: 40.00 NCBCLL: 10.00 Soffit: 2.00 Load Duration: 1.25 Spacing: 24.0 "	Wind Criteria Wind Std: ASCE 7-22 Speed: 130 mph Enclosure: Enclosed Risk Category: II EXP: C Kzt: NA Mean Height: 16.08 ft TCCL: 5.0 psf BCDL: 5.0 psf MWFRS Parallel Dist: h/2 to h C&C Dist a: 3.00 ft Loc. from endwall: not in 9.00 ft GCp: 0.18 Wind Duration: 1.60	Snow Criteria (Pg,Pf in PSF) Pg: NA Ct: NA CAT: NA Pf: NA Ce: NA Lu: NA Cs: NA Snow Duration: NA Building Code: FBC 8th Ed. 2023 Res. TPI Std: 2014 Rep Fac: Yes FT/RT:20(0)/10(0) Plate Type(s): WAVE	Defl/CSI Criteria PP Deflection in loc L/defl L/# VERT(LL): 0.001 C 999 360 VERT(CL): 0.001 C 999 240 HORZ(LL): -0.000 A - - HORZ(TL): 0.001 A - - Creep Factor: 2.0 Max TC CSI: 0.209 Max BC CSI: 0.119 Max Web CSI: 0.083 VIEW Ver: 24.02.00D.0114.10	▲ Maximum Reactions (lbs), or *=PLF Gravity Non-Gravity Loc R+ /R- /Rh /Rw /U /RL E* 84 /- /- /44 /11 /9 Wind reactions based on MWFRS E Brg Wid = 138 Min Req = - Bearing A is a rigid surface. Members not listed have forces less than 375#

Lumber

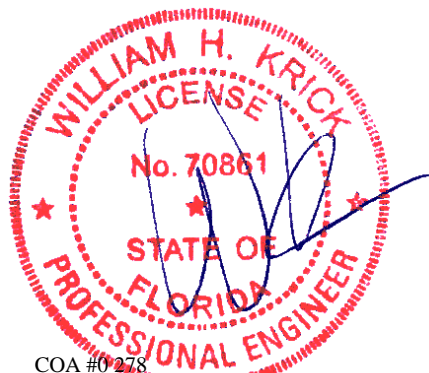
Top chord: 2x4 SP #2;
 Bot chord: 2x4 SP #2;
 Webs: 2x4 SP #3;

Wind

Wind loads based on MWFRS with additional C&C member design.
 Wind loading based on both gable and hip roof types.

Additional Notes

See DWGS VALTN220723 and VAL180220723 for valley details.
 The overall height of this truss excluding overhang is 3-10-7.



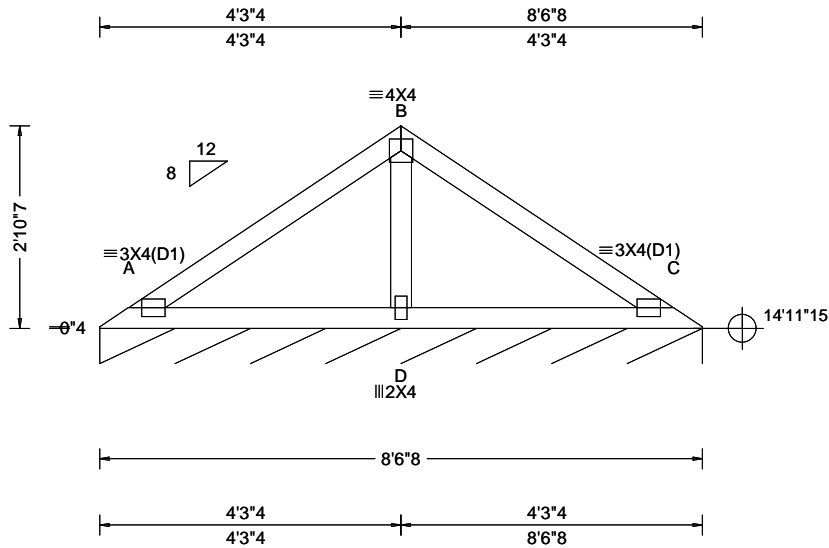
COA #0278

01/30/2026
 Florida Certificate of Product Approval #FL 1999

****WARNING** READ AND FOLLOW ALL NOTES ON THIS DRAWING!**
****IMPORTANT** FURNISH THIS DRAWING TO ALL CONTRACTORS INCLUDING THE INSTALLERS**
 Trusses require extreme care in fabricating, handling, shipping, installing and bracing. Refer to and follow the latest edition of BCSI (Building Component Safety Information, by TPI and SBCA) for safety practices prior to performing these functions. Installers shall provide temporary bracing per BCSI. Unless noted otherwise, top chord shall have properly attached structural sheathing and bottom chord shall have a properly attached rigid ceiling. Locations shown for permanent lateral restraint of webs shall have continuous lateral restraint (CLR), installed with diagonal bracing installed on the CLR per BCSI sections B3, B7, or B10, as applicable. Apply plates to each face of truss and position as shown above and on the Joint Details, unless noted otherwise. Refer to drawings 160A-Z for standard plate positions. Refer to job's General Notes page for additional information.
 Alpine, a division of ITW Building Components Group Inc. shall not be responsible for any deviation from this drawing, any failure to build the truss in conformance with ANSI/TPI 1, or for handling, shipping, installation and bracing of trusses. A seal on this drawing or cover page listing this drawing, indicates acceptance of professional engineering responsibility solely for the design shown. The suitability and use of this drawing for any structure is the responsibility of the Building Designer per ANSI/TPI 1 Sec.2.
 For more information see these web sites: Alpine: alpineitw.com; TPI: tpinst.org; SBCA: sbccomponents.com; ICC: iccsafe.org; AWC: awc.org



SEQN: 724095 FROM: RFG	VAL Ply: 1 Qty: 1	Job Number: 26-3443 THOMAS MENENDEZ - SPEC HOUSE Truss Label: V6	Cust: R215 JRef: 1YH82150007 T6 DrwNo: 030.26.1451.37633 SSB / WHK 01/30/2026
---------------------------	-------------------------	--	---



Loading Criteria (psf) TCCL: 20.00 TCCL: 10.00 BCLL: 0.00 BCDL: 10.00 Des Ld: 40.00 NCBCLL: 10.00 Soffit: 2.00 Load Duration: 1.25 Spacing: 24.0 "	Wind Criteria Wind Std: ASCE 7-22 Speed: 130 mph Enclosure: Enclosed Risk Category: II EXP: C Kzt: NA Mean Height: 16.58 ft TCCL: 5.0 psf BCDL: 5.0 psf MWFRS Parallel Dist: h/2 to h C&C Dist a: 3.00 ft Loc. from endwall: not in 9.00 ft GCp: 0.18 Wind Duration: 1.60	Snow Criteria (Pg,Pf in PSF) Pg: NA Ct: NA CAT: NA Pf: NA Ce: NA Lu: NA Cs: NA Snow Duration: NA Building Code: FBC 8th Ed. 2023 Res. TPI Std: 2014 Rep Fac: Yes FT/RT:20(0)/10(0) Plate Type(s): WAVE	Defl/CSI Criteria PP Deflection in loc L/defl L/# VERT(LL): 0.008 A 999 360 VERT(CL): 0.016 A 999 240 HORZ(LL): -0.004 C - - HORZ(TL): 0.008 C - - Creep Factor: 2.0 Max TC CSI: 0.240 Max BC CSI: 0.205 Max Web CSI: 0.092 VIEW Ver: 24.02.00D.0114.10	▲ Maximum Reactions (lbs), or *=PLF <table border="1"> <thead> <tr> <th colspan="3">Gravity</th> <th colspan="3">Non-Gravity</th> </tr> <tr> <th>Loc</th> <th>R+</th> <th>/R-</th> <th>/Rh</th> <th>/Rw</th> <th>/U</th> <th>/RL</th> </tr> </thead> <tbody> <tr> <td>C*</td> <td>84</td> <td>/-</td> <td>/-</td> <td>/43</td> <td>/10</td> <td>/8</td> </tr> </tbody> </table> Wind reactions based on MWFRS C Brg Wid = 102 Min Req = - Bearing A is a rigid surface. Members not listed have forces less than 375# Maximum Web Forces Per Ply (lbs) <table border="1"> <thead> <tr> <th>Webs</th> <th>Tens.Comp.</th> </tr> </thead> <tbody> <tr> <td>B - D</td> <td>310 -424</td> </tr> </tbody> </table>	Gravity			Non-Gravity			Loc	R+	/R-	/Rh	/Rw	/U	/RL	C*	84	/-	/-	/43	/10	/8	Webs	Tens.Comp.	B - D	310 -424
Gravity			Non-Gravity																									
Loc	R+	/R-	/Rh	/Rw	/U	/RL																						
C*	84	/-	/-	/43	/10	/8																						
Webs	Tens.Comp.																											
B - D	310 -424																											

Lumber

Top chord: 2x4 SP #2;
 Bot chord: 2x4 SP #2;
 Webs: 2x4 SP #3;

Wind

Wind loads based on MWFRS with additional C&C member design.
 Wind loading based on both gable and hip roof types.

Additional Notes

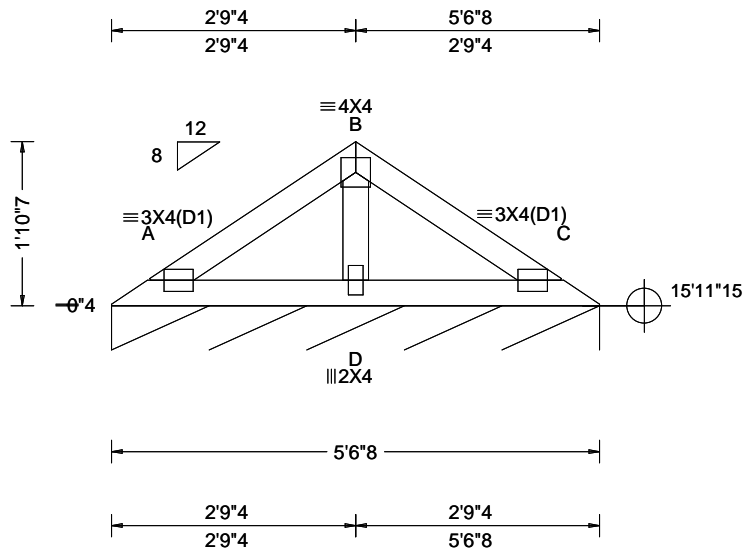
See DWGS VALTN220723 and VAL180220723 for valley details.
 The overall height of this truss excluding overhang is 2-10-7.



COA #0278
 01/30/2026
 Florida Certificate of Product Approval #FL 1999

****WARNING** READ AND FOLLOW ALL NOTES ON THIS DRAWING!**
****IMPORTANT** FURNISH THIS DRAWING TO ALL CONTRACTORS INCLUDING THE INSTALLERS**
 Trusses require extreme care in fabricating, handling, shipping, installing and bracing. Refer to and follow the latest edition of BCSI (Building Component Safety Information, by TPI and SBCA) for safety practices prior to performing these functions. Installers shall provide temporary bracing per BCSI. Unless noted otherwise, top chord shall have properly attached structural sheathing and bottom chord shall have a properly attached rigid ceiling. Locations shown for permanent lateral restraint of webs shall have continuous lateral restraint (CLR), installed with diagonal bracing installed on the CLR per BCSI sections B3, B7, or B10, as applicable. Apply plates to each face of truss and position as shown above and on the Joint Details, unless noted otherwise. Refer to drawings 160A-Z for standard plate positions. Refer to job's General Notes page for additional information.
 Alpine, a division of ITW Building Components Group Inc. shall not be responsible for any deviation from this drawing, any failure to build the truss in conformance with ANSI/TPI 1, or for handling, shipping, installation and bracing of trusses. A seal on this drawing or cover page listing this drawing, indicates acceptance of professional engineering responsibility solely for the design shown. The suitability and use of this drawing for any structure is the responsibility of the Building Designer per ANSI/TPI 1 Sec.2.
 For more information see these web sites: Alpine: alpineitw.com; TPI: tpinst.org; SBCA: sbccomponents.com; ICC: iccsafe.org; AWC: awc.org





Loading Criteria (psf) TCLL: 20.00 TCDL: 10.00 BCLL: 0.00 BCDL: 10.00 Des Ld: 40.00 NCBCLL: 10.00 Soffit: 2.00 Load Duration: 1.25 Spacing: 24.0 "	Wind Criteria Wind Std: ASCE 7-22 Speed: 130 mph Enclosure: Enclosed Risk Category: II EXP: C Kzt: NA Mean Height: 17.08 ft TCDL: 5.0 psf BCDL: 5.0 psf MWFRS Parallel Dist: h/2 to h C&C Dist a: 3.00 ft Loc. from endwall: not in 9.00 ft GCp: 0.18 Wind Duration: 1.60	Snow Criteria (Pg,Pf in PSF) Pg: NA Ct: NA CAT: NA Pf: NA Ce: NA Lu: NA Cs: NA Snow Duration: NA Building Code: FBC 8th Ed. 2023 Res. TPI Std: 2014 Rep Fac: Yes FT/RT:20(0)/10(0) Plate Type(s): WAVE	Defl/CSI Criteria PP Deflection in loc L/defl L/# VERT(LL): 0.002 C 999 360 VERT(CL): 0.004 C 999 240 HORZ(LL): -0.001 C - - HORZ(TL): 0.002 C - - Creep Factor: 2.0 Max TC CSI: 0.086 Max BC CSI: 0.074 Max Web CSI: 0.058 VIEW Ver: 24.02.00D.0114.10	▲ Maximum Reactions (lbs), or *=PLF Gravity Non-Gravity Loc R+ /R- /Rh /Rw /U /RL C* 83 /- /- /41 /9 /8 Wind reactions based on MWFRS C Brg Wid = 66.5 Min Req = - Bearing A is a rigid surface. Members not listed have forces less than 375#
--	---	--	--	--

Lumber

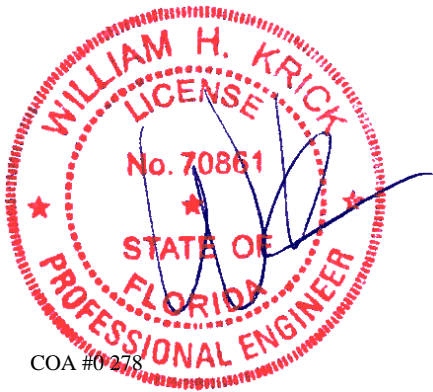
Top chord: 2x4 SP #2;
Bot chord: 2x4 SP #2;
Webs: 2x4 SP #3;

Wind

Wind loads based on MWFRS with additional C&C member design.
Wind loading based on both gable and hip roof types.

Additional Notes

See DWGS VALTN220723 and VAL180220723 for valley details.
The overall height of this truss excluding overhang is 1-10-7.

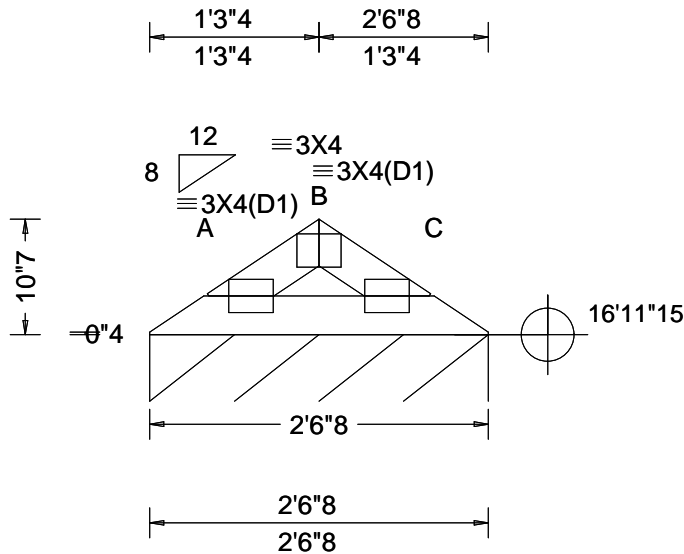


COA #0278
01/30/2026
Florida Certificate of Product Approval #FL 1999

****WARNING** READ AND FOLLOW ALL NOTES ON THIS DRAWING!**
****IMPORTANT** FURNISH THIS DRAWING TO ALL CONTRACTORS INCLUDING THE INSTALLERS**
Trusses require extreme care in fabricating, handling, shipping, installing and bracing. Refer to and follow the latest edition of BCSI (Building Component Safety Information, by TPI and SBCA) for safety practices prior to performing these functions. Installers shall provide temporary bracing per BCSI. Unless noted otherwise, top chord shall have properly attached structural sheathing and bottom chord shall have a properly attached rigid ceiling. Locations shown for permanent lateral restraint of webs shall have continuous lateral restraint (CLR), installed with diagonal bracing installed on the CLR per BCSI sections B3, B7, or B10, as applicable. Apply plates to each face of truss and position as shown above and on the Joint Details, unless noted otherwise. Refer to drawings 160A-Z for standard plate positions. Refer to job's General Notes page for additional information.
Alpine, a division of ITW Building Components Group Inc. shall not be responsible for any deviation from this drawing, any failure to build the truss in conformance with ANSI/TPI 1, or for handling, shipping, installation and bracing of trusses. A seal on this drawing or cover page listing this drawing, indicates acceptance of professional engineering responsibility solely for the design shown. The suitability and use of this drawing for any structure is the responsibility of the Building Designer per ANSI/TPI 1 Sec.2.
For more information see these web sites: Alpine: alpineitw.com; TPI: tpinst.org; SBCA: sbccomponents.com; ICC: iccsafe.org; AWC: awc.org



SEQN: 724097 FROM: RFG	VAL Ply: 1 Qty: 1	Job Number: 26-3443 THOMAS MENENDEZ - SPEC HOUSE Truss Label: V8	Cust: R215 JRef: 1YH82150007 T8 DrwNo: 030.26.1451.34667 SSB / WHK 01/30/2026
---------------------------	-------------------------	--	---



Loading Criteria (psf) TCLL: 20.00 TCDL: 10.00 BCLL: 0.00 BCDL: 10.00 Des Ld: 40.00 NCBCLL: 10.00 Soffit: 2.00 Load Duration: 1.25 Spacing: 24.0 "	Wind Criteria Wind Std: ASCE 7-22 Speed: 130 mph Enclosure: Enclosed Risk Category: II EXP: C Kzt: NA Mean Height: 17.58 ft TCDL: 5.0 psf BCDL: 5.0 psf MWFRS Parallel Dist: h/2 to h C&C Dist a: 3.00 ft Loc. from endwall: not in 9.00 ft GCpi: 0.18 Wind Duration: 1.60	Snow Criteria (Pg,Pf in PSF) Pg: NA Ct: NA CAT: NA Pf: NA Ce: NA Lu: NA Cs: NA Snow Duration: NA Building Code: FBC 8th Ed. 2023 Res. TPI Std: 2014 Rep Fac: Yes FT/RT:20(0)/10(0) Plate Type(s): WAVE	Defl/CSI Criteria PP Deflection in loc L/defl L/# VERT(LL): 0.001 C 999 360 VERT(CL): 0.002 C 999 240 HORZ(LL): -0.000 A - - HORZ(TL): 0.001 A - - Creep Factor: 2.0 Max TC CSI: 0.026 Max BC CSI: 0.042 Max Web CSI: 0.000 VIEW Ver: 24.02.00D.0114.10	▲ Maximum Reactions (lbs), or *=PLF Gravity Non-Gravity Loc R+ /R- /Rh /Rw /U /RL C* 83 /- /- /37 /3 /5 Wind reactions based on MWFRS C Brg Wid = 30.5 Min Req = - Bearing A is a rigid surface. Members not listed have forces less than 375#
--	--	--	--	--

Lumber

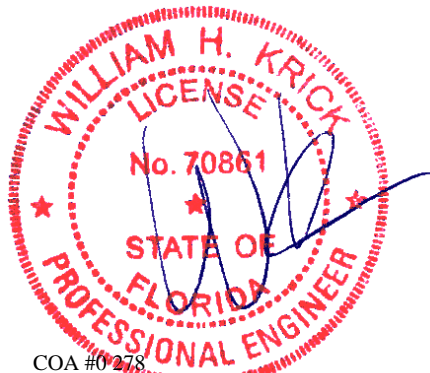
Top chord: 2x4 SP #2;
Bot chord: 2x4 SP #2;

Wind

Wind loads based on MWFRS with additional C&C member design.
Wind loading based on both gable and hip roof types.

Additional Notes

See DWGS VALTN220723 and VAL180220723 for valley details.
The overall height of this truss excluding overhang is 0-10-7.



COA #0278

01/30/2026
Florida Certificate of Product Approval #FL 1999

****WARNING** READ AND FOLLOW ALL NOTES ON THIS DRAWING!**
****IMPORTANT** FURNISH THIS DRAWING TO ALL CONTRACTORS INCLUDING THE INSTALLERS**
Trusses require extreme care in fabricating, handling, shipping, installing and bracing. Refer to and follow the latest edition of BCSI (Building Component Safety Information, by TPI and SBCA) for safety practices prior to performing these functions. Installers shall provide temporary bracing per BCSI. Unless noted otherwise, top chord shall have properly attached structural sheathing and bottom chord shall have a properly attached rigid ceiling. Locations shown for permanent lateral restraint of webs shall have continuous lateral restraint (CLR), installed with diagonal bracing installed on the CLR per BCSI sections B3, B7, or B10, as applicable. Apply plates to each face of truss and position as shown above and on the Joint Details, unless noted otherwise. Refer to drawings 160A-Z for standard plate positions. Refer to job's General Notes page for additional information.
Alpine, a division of ITW Building Components Group Inc. shall not be responsible for any deviation from this drawing, any failure to build the truss in conformance with ANSI/TPI 1, or for handling, shipping, installation and bracing of trusses. A seal on this drawing or cover page listing this drawing, indicates acceptance of professional engineering responsibility solely for the design shown. The suitability and use of this drawing for any structure is the responsibility of the Building Designer per ANSI/TPI 1 Sec.2.
For more information see these web sites: Alpine: alpineitw.com; TPI: tpinst.org; SBCA: sbccomponents.com; ICC: iccsafe.org; AWC: awc.org



Valley Detail - ASCE 7-22: 180 mph, 30' Mean Height, Partially Enclosed, Exp. C, Kzt=1.00

Top Chord 2x4 SP #2N, SPF #1/#2, DF-L #2 or better.
 Bot Chord 2x4 SP #2N or SPF #1/#2 or better.
 Webs 2x4 SP #3, SPF #1/#2, DF-L #2 or better.

** Attach each valley to every supporting truss with:
 535# connection or with (1) Simpson H2.5A or equivalent connector for
 ASCE 7-22 180 mph. 30' Mean Height, Part. Enc. Building, Exp. C, Wind TC DL=5 psf, Kzt = 1.00
 Or
 ASCE 7-22 160 mph. 30' Mean Height, Part. Enc. Building, Exp. D, Wind TC DL=5 psf, Kzt = 1.00

Bottom chord may be square or pitched cut as shown.

Valleys short enough to be cut as solid triangular members from a single 2x6, or larger as required, shall be permitted in lieu of fabricating from separate 2x4 members.

All plates shown are Alpine Wave Plates.

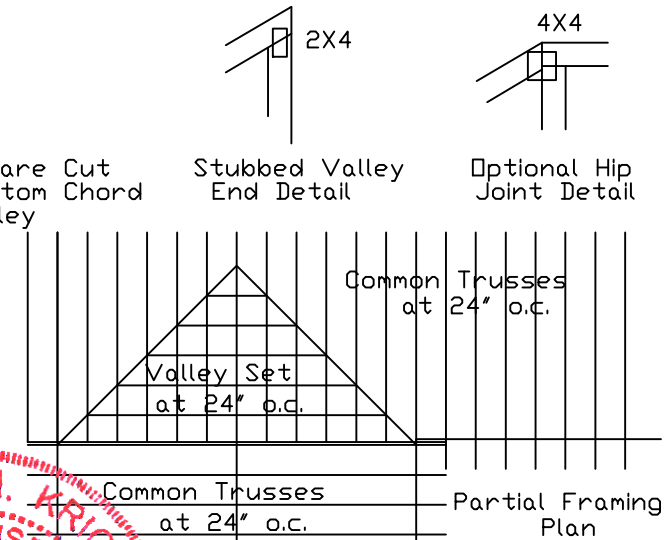
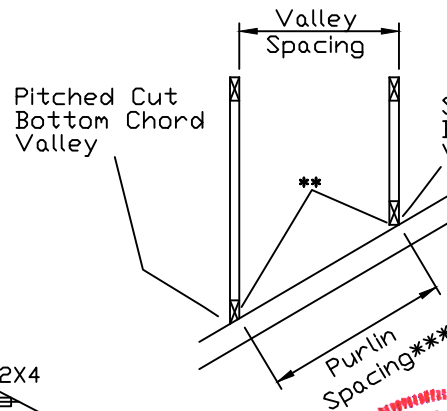
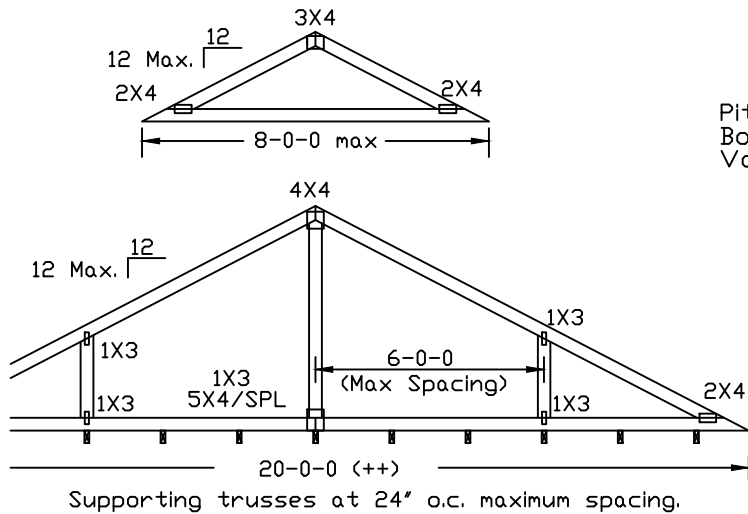
Unless specified otherwise on engineer's sealed design, for vertical valley webs taller than 7-9" apply 2x4 "T" reinforcement, 80% length of web, same species and grade or better, attached with 10d box (0.128" x 3.0") nails at 6" o.c. In lieu of "T" reinforcement, 2x4 Continuous Lateral Restraint applied at mid-length of web is permitted with diagonal bracing as shown in DRWG BRCLBANC1014.

Top chord of truss beneath valley set must be braced with properly attached, rated sheathing applied prior to valley truss installation.

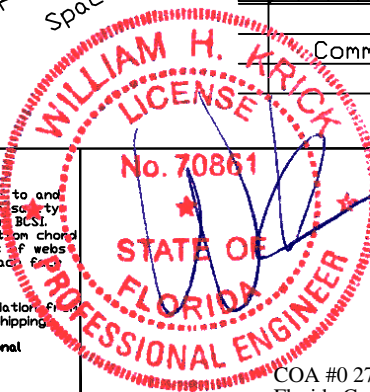
- Or
- Purlins at 24" o.c. or as otherwise specified on engineer's sealed design
- Or
- By valley trusses used in lieu of purlin spacing as specified on Engineer's sealed design.

*** Note that the purlin spacing for bracing the top chord of the truss beneath the valley is measured along the slope of the top chord.

++ Larger spans may be built as long as the vertical height does not exceed 14'-0".



WARNING: READ AND FOLLOW ALL NOTES ON THIS DRAWING
IMPORTANT: FURNISH THIS DRAWING TO ALL CONTRACTORS INCLUDING THE INSTALLERS.
 Trusses require extreme care in fabricating, handling, shipping, installing and bracing. Refer to and follow the latest edition of BCSI (Building Component Safety Information, by TPI and SBCA) for safety practices prior to performing these functions. Installers shall provide temporary bracing per BCSI. Unless noted otherwise, top chord shall have properly attached structural sheathing and bottom chord shall have a properly attached rigid ceiling. Locations shown for permanent lateral restraint of webs shall have bracing installed per BCSI sections B3, B7 or B10, as applicable. Apply plates to each end of truss and position as shown above and on the Joint Details, unless noted otherwise. Refer to drawings 160A-Z for standard plate positions.
 Alpine, a division of ITW Building Components Group Inc. shall not be responsible for any deviation from this drawing, any failure to build the truss in conformance with ANSI/TPI 1, or for handling, shipping, installation & bracing of trusses.
 A seal on this drawing or cover page listing this drawing, indicates acceptance of professional engineering responsibility solely for the design shown. The suitability and use of this drawing for any structure is the responsibility of the Building Designer per ANSI/TPI 1 Sec.2.
 For more information see this Job's general notes page and these web sites:
 ALPINE: www.alpineitw.com; TPI: www.tpinet.org; SBCA: www.sbcacomponents.com; ICC: www.lccsafe.org



TC LL	30	30	40PSF	REF	VALLEY DETAIL
TC DL	20	15	7PSF	DATE	07/03/2023
BC DL	10	10	10 PSF	DRWG	VAL180220723
BC LL	0	0	0PSF		
TOT. LD.	60	55	57PSF		
DURATION	1.33	1.15	1.15		
PRODUCT	24	0			

COA #0 278
 Florida Certified Product April 2014 #FL 1999

Valley Detail - ASCE 7-22: 30' Mean Height, Enclosed, Exp. C, Kzt=1.00

Top Chord 2x4 SP #2N, SPF #1/#2, DF-L #2 or better.
 Bot Chord 2x4 SP #2N or SPF #1/#2 or better.
 Webs 2x4 SP #3, SPF #1/#2, DF-L #2 or better.

** Attach each valley to every supporting truss with:
 (2) 16d box (0.135" x 3.5") nails toe-nailed for
 ASCE 7-22, 30' Mean Height, Enclosed Building, Exp. C,
 Wind TC DL=5 psf, Kzt = 1.00, Max. Wind Speed based on
 supporting truss material at connection location:
 140 mph for SP (G = 0.55, min.),
 125 mph for DF-L (G = 0.50, min.), or
 105 mph for HF & SPF (G = 0.42, min.).

Maximum top chord pitch is 10/12 for supporting trusses
 below valley trusses.

Bottom chord of valley trusses may be square or
 pitched cut as shown.

Valleys short enough to be cut as solid triangular
 members from a single 2x6, or larger as required,
 shall be permitted in lieu of fabricating from
 separate 2x4 members.

All plates shown are Alpine Wave Plates.

Unless specified otherwise on engineer's sealed design, for vertical
 valley webs taller than 7'-9" apply 2x4 "T" reinforcement, 80% length of
 web, same species and grade or better, attached with 10d box
 (0.128" x 3.0") nails at 6" o.c. In lieu of "T" reinforcement, 2x4 Continuous
 Lateral Restraint applied at mid-length of web is permitted with diagonal
 bracing as shown in DRWG BRCLBANC1014.

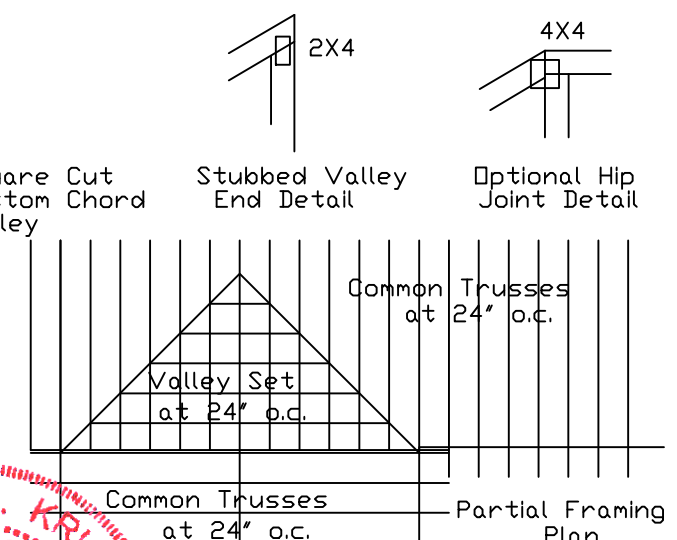
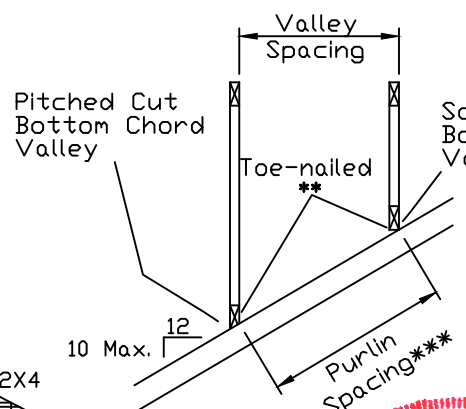
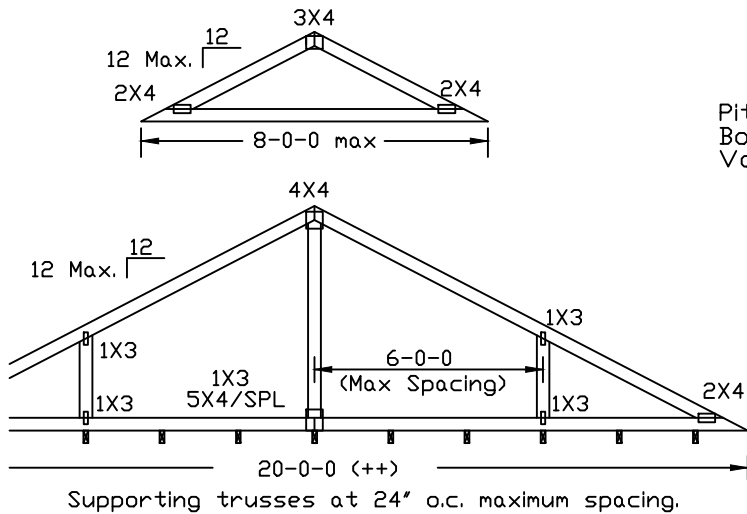
Top chord of truss beneath valley set must be braced with:
 properly attached, rated sheathing applied prior to valley truss
 installation.

Or
 Purlins at 24" o.c. or as otherwise specified on engineer's sealed design

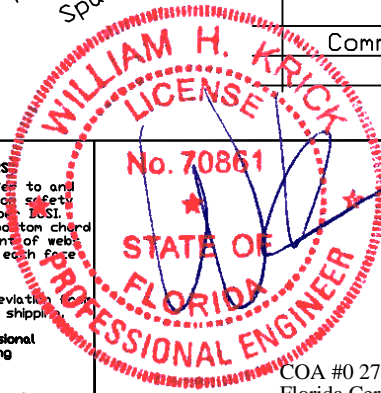
Or
 By valley trusses used in lieu of purlin spacing as specified on
 Engineer's sealed design.

*** Note that the purlin spacing for bracing the top chord of the truss
 beneath the valley is measured along the slope of the top chord.

++ Larger spans may be built as long as the vertical height does
 not exceed 14'-0".



WARNING: READ AND FOLLOW ALL NOTES ON THIS DRAWING
IMPORTANT: FURNISH THIS DRAWING TO ALL CONTRACTORS INCLUDING THE INSTALLERS
 Trusses require extreme care in fabricating, handling, shipping, installing and bracing. Refer to and follow the latest edition of BCSI (Building Component Safety Information, by TPI and SBCA) for safety practices prior to performing these functions. Installers shall provide temporary bracing per ICSI. Unless noted otherwise, top chord shall have properly attached structural sheathing and bottom chord shall have a properly attached rigid ceiling. Locations shown for permanent lateral restraint of webs shall have bracing installed per BCSI sections B3, B7 or B10, as applicable. Apply plates to each face of truss and position as shown above and on the Joint Details, unless noted otherwise. Refer to drawings 160A-Z for standard plate positions.
 Alpine, a division of ITW Building Components Group Inc. shall not be responsible for any deviation of this drawing, any failure to build the truss in conformance with ANSI/TPI 1, or for handling, shipping, installation & bracing of trusses.
 A seal on this drawing or cover page listing this drawing, indicates acceptance of professional engineering responsibility solely for the design shown. The suitability and use of this drawing for any structure is the responsibility of the Building Designer per ANSI/TPI 1 Sec.2.
 For more information see this Job's general notes page and these web sites:
 ALPINE: www.alpineitw.com; TPI: www.tpinet.org; SBCA: www.sbcacomponents.com; ICC: www.iccsafe.org



TC LL	30	30	40PSF	REF	VALLEY DETAIL
TC DL	20	15	7PSF	DATE	07/03/2023
BC DL	10	10	10PSF	DRWG	VALTN220723
BC LL	0	0	0PSF		
TOT. LD.	60	55	57PSF		
DUR	50	105	1.33	1.15	1.15
SPACING	24.0"				#FL 1999

COA #0 278
 Florida Certified Product Approval

Piggyback Detail - ASCE 7-22: 160 mph, 30' Mean Height, Enclosed, Exposure C, Kzt=1.00

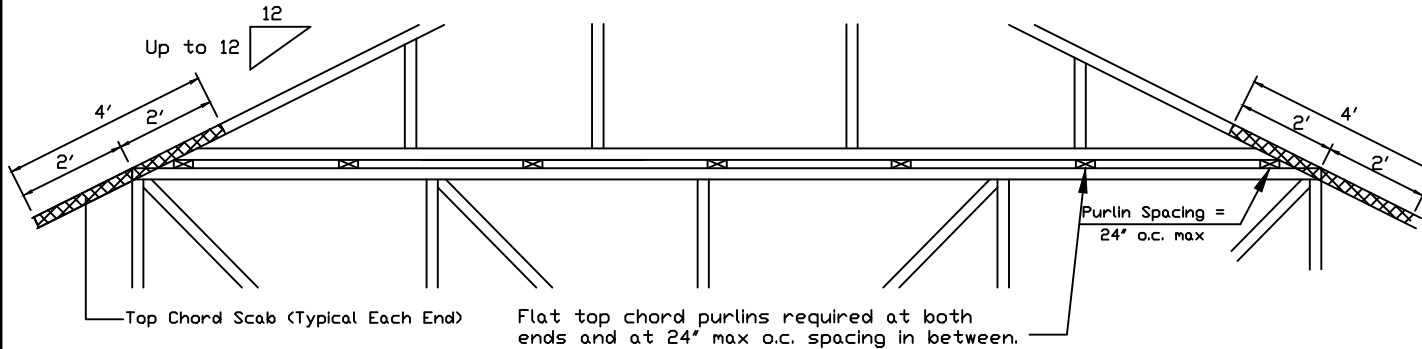
160 mph Wind, 30.00 ft Mean Hgt, ASCE 7-22, Enclosed Bldg. located anywhere in roof, Exp C, Wind DL= 5.0 psf (min), Kzt=1.0.
 Or 140 mph wind, 30.00 ft Mean Hgt, ASCE 7-22, Enclosed Bldg. located anywhere in roof, Exp D, wind DL= 5.0 psf (min), Kzt=1.0.

Note: Top chords of trusses supporting piggyback cap trusses must be adequately braced by sheathing or purlins. The building designer shall provide diagonal bracing or any other suitable anchorage to permanently restrain purlins, and lateral bracing for out of plane loads over gable ends.

Maximum truss spacing is 24' o.c. Detail is not applicable if cap supports additional loads such as cupola, steeple, chimney or drag strut loads.

** Refer to Engineer's sealed truss design drawing for piggyback and base truss specifications.

Detail A : Purlin Spacing = 24" o.c. or less

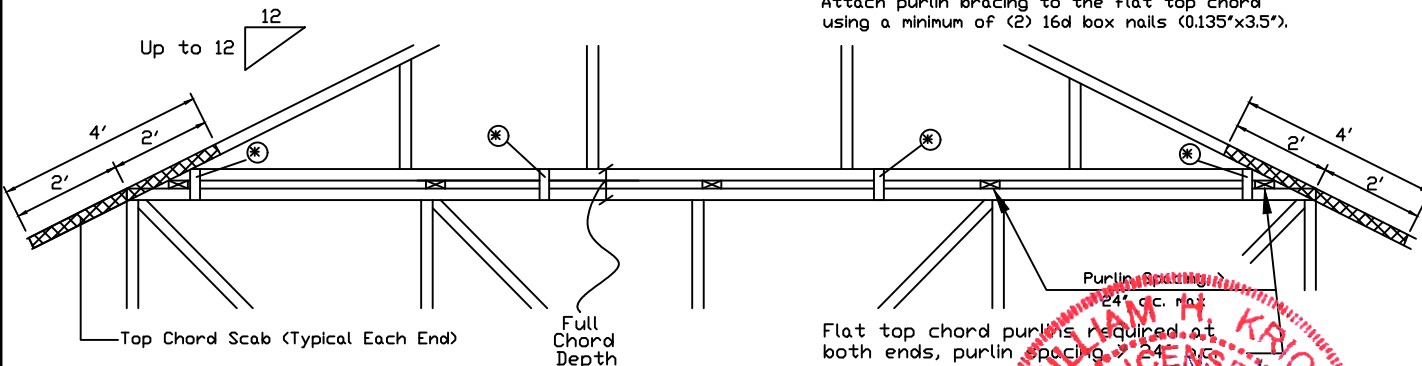


Piggyback cap truss slant nailed to all top chord purlin bracing with (2) 16d box nails (0.135"x3.5") and secure top chord with 2x4 #3 grade scab (1 side only at each end) attached with 2 rows of 10d box nails (0.128"x3") at 4' o.c.

Attach purlin bracing to the flat top chord using (2) 16d box nails (0.135"x3.5").

The top chord #3 grade 2x4 scab may be replaced with either of the following: (1) 3X8 Trulox plate attached with (8) 0.120"x1.375" nails, (4) into cap TC & (4) into base truss TC or (1) 28PB wave piggyback plate plated to the piggyback truss TC and attached to the base truss TC with (4) 0.120"x1.375" nails. Note: Nailing thru holes of wave plate is acceptable.

Detail B : Purlin Spacing > 24" o.c.



Piggyback cap truss slant nailed to all top chord purlin bracing with (2) 16d box nails (0.135"x3.5") and secure top chord with 2x4 #3 grade scab (1 side only at each end) attached with 2 rows of 10d box nails (0.128"x3") at 4' o.c.

Attach purlin bracing to the flat top chord using a minimum of (2) 16d box nails (0.135"x3.5").

* In addition, provide connection with one of the following methods:

- Trulox**
Use 3X8 Trulox plates for 2x4 chord member, and 3X10 Trulox plates for 2x6 and larger chord members. Attach to each face @ 8' o.c. with (4) 0.120"x1.375" nails into cap bottom chord and (4) in base truss top chord. Trulox plates may be staggered 4' o.c. front to back faces.
- APA Rated Gusset**
8"x8"x7/16" (min) APA rated sheathing gussets (each face). Attach @ 8' o.c. with (8) 6d common (0.113"x2") nails per gusset, (4) in cap bottom chord and (4) in base truss top chord. Gussets may be staggered 4' o.c. front to back faces.
- 2x4 Vertical Scabs**
2x4 SPF #2, full chord depth scabs (each face). Attach @ 8' o.c. with (6) 10d box nails (0.128"x3") per scab, (3) in cap bottom chord and (3) in base truss top chord. Scabs may be staggered 4' o.c. front to back faces.
- 28PB Wave Piggyback Plate**
One 28PB wave piggyback plate to each face @ 8' o.c. Attach teeth to piggyback at time of fabrication. Attach to supporting truss with (4) 0.120"x1.375" nails per face per ply. Piggyback plates may be staggered 4' o.c. front to back faces.

Note: If purlins or sheathing are not specified on the flat top of the base truss, purlins must be installed at 24' o.c. max. and use Detail A.

WARNING: READ AND FOLLOW ALL NOTES ON THIS DRAWING
IMPORTANT: FURNISH THIS DRAWING TO ALL CONTRACTORS INCLUDING THE INSTALLER.

Trusses require extreme care in fabricating, handling, shipping, installing and bracing. Refer to and follow the latest edition of BCSI (Building Component Safety Information, by TPI and SBCA) for safety practices prior to performing these functions. Installers shall provide temporary bracing per BCSI. Unless noted otherwise, top chord shall have properly attached structural sheathing and bottom chord shall have a properly attached rigid ceiling. Locations shown for permanent lateral restraint of walls shall have bracing installed per BCSI sections B3, B7 or B10, as applicable. Apply plates to each face of truss and position as shown above and on the Joint Details, unless noted otherwise. Refer to drawings 160A-Z for standard plate positions.

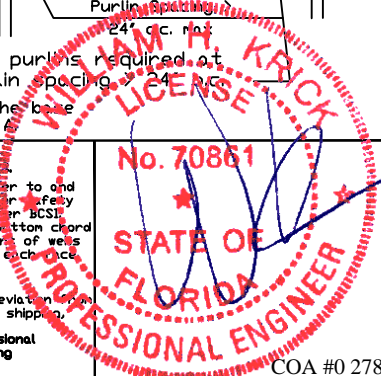
Alpine, a division of ITW Building Components Group Inc. shall not be responsible for any deviation from this drawing, any failure to build the truss in conformance with ANSI/TPI 1, or for handling, shipping, installation & bracing of trusses.

A seal on this drawing or cover page listing this drawing, indicates acceptance of professional engineering responsibility solely for the design shown. The suitability and use of this drawing for any structure is the responsibility of the Building Designer per ANSI/TPI 1 Sec.2.

For more information see this Job's general notes page and these web sites:
 ALPINE: www.alpineitw.com; TPI: www.tpinet.org; SBCA: www.sbcacomponents.com; ICC: www.iccsafe.org



155 Harlem Ave
 North Building, 4th Floor
 Glenview, IL 60025



COA #0 278

Florida Certified

01/30/2026

SPACING

Appr 240#FL 1999

REF PIGGYBACK
 DATE 07/03/2023
 DRWG PB160220723

CLR Reinforcing Member Substitution

This detail is to be used when a Continuous Lateral Restraint (CLR) is specified on a truss design but an alternative web reinforcement method is desired.

Notes:

This detail is only applicable for changing the specified CLR shown on single ply sealed designs to T-reinforcement or L-reinforcement or scab reinforcement.

Alternative reinforcement specified in chart below may be conservative. For minimum alternative reinforcement, re-run design with appropriate reinforcement type.

Use scabs instead of L- or T- reinforcement on webs with intersecting truss joints, such as K-web joints, that may interfere with proper application along the narrow face of the web.

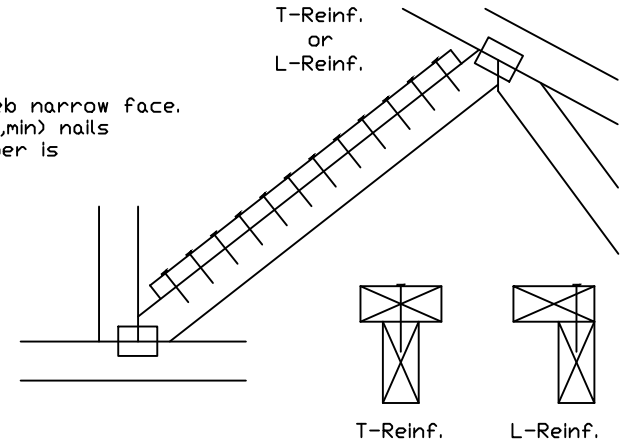
Web Member Size	Specified CLR Restraint	Alternative Reinforcement T- or L- Reinf.	Scab Reinf.
2x3 or 2x4	1 row	2x4	1-2x4
2x3 or 2x4	2 rows	2x6 or 2x4	2-2x4
2x6	1 row	2x4	1-2x6
2x6	2 rows	2x6	2-2x4(⊗)
2x8	1 row	2x6	1-2x8
2x8	2 rows	2x6	2-2x6(⊗)

T-reinforcement, L-reinforcement, or scab reinforcement to be same species and grade or better than web member unless specified otherwise on Engineer's sealed design.

(⊗) Center scab on wide face of web. Apply (1) scab to each face of web.

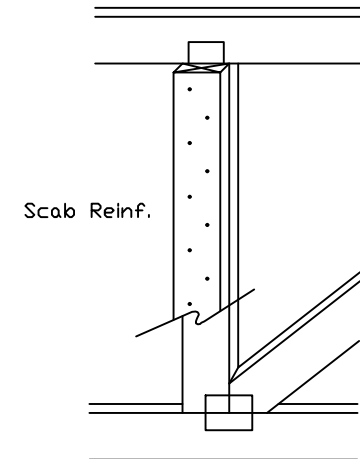
T-Reinforcement or L-Reinforcement:

Apply to either side of web narrow face. Attach with 10d (0.128"x3.0",min) nails at 6" o.c. Reinforcing member is a minimum 80% of web member length.



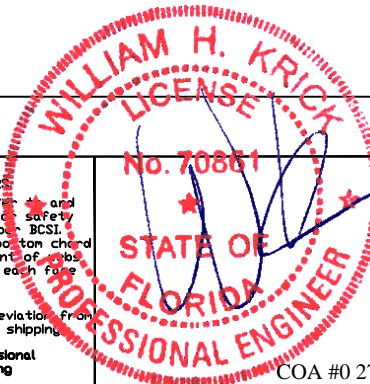
Scab Reinforcement:

Apply scab(s) to wide face of web. No more than (1) scab per face. Attach with 10d (0.128"x3.0",min) nails at 6" o.c. Reinforcing member is a minimum 80% of web member length.



155 Harlem Ave
North Building, 4th Floor
Glenview, IL 60025

WARNING: READ AND FOLLOW ALL NOTES ON THIS DRAWING
IMPORTANT: FURNISH THIS DRAWING TO ALL CONTRACTORS INCLUDING THE INSTALLERS.
 Trusses require extreme care in fabricating, handling, shipping, installing and bracing. Refer to and follow the latest edition of BCSI (Building Component Safety Information, by TPI and SBCA) for safety practices prior to performing these functions. Installers shall provide temporary bracing per BCSI. Unless noted otherwise, top chord shall have properly attached structural sheathing and bottom chord shall have a properly attached rigid ceiling. Locations shown for permanent lateral restraint of webs of truss and position as shown above and on the Joint Details, unless noted otherwise. Refer to drawings 150A-Z for standard plate positions.
 Alpine, a division of ITW Building Components Group Inc. shall not be responsible for any deviation from this drawing, any failure to build the truss in conformance with ANSI/TPI 1, or for handling, shipping, installation & bracing of trusses.
 A seal on this drawing or cover page listing this drawing, indicates acceptance of professional engineering responsibility solely for the design shown. The suitability and use of this drawing for any structure is the responsibility of the Building Designer per ANSI/TPI 1 Sec.2.
 For more information see this Job's general notes page and these web sites:
 ALPINE: www.alpineitw.com; TPI: www.tpinst.org; SBCA: www.sbcacomponents.com; ICC: www.iccsafe.org



TC LL	PSF	REF CLR Subst.
TC DL	PSF	DATE 01/02/19
BC DL	PSF	DRWG BRCLBSUB0119
BC LL	PSF	
TOT. LD.	PSF	
COA #0 278 Florida Certificate of Product Approval #FL 1999		
DUR: FAC SPACING		