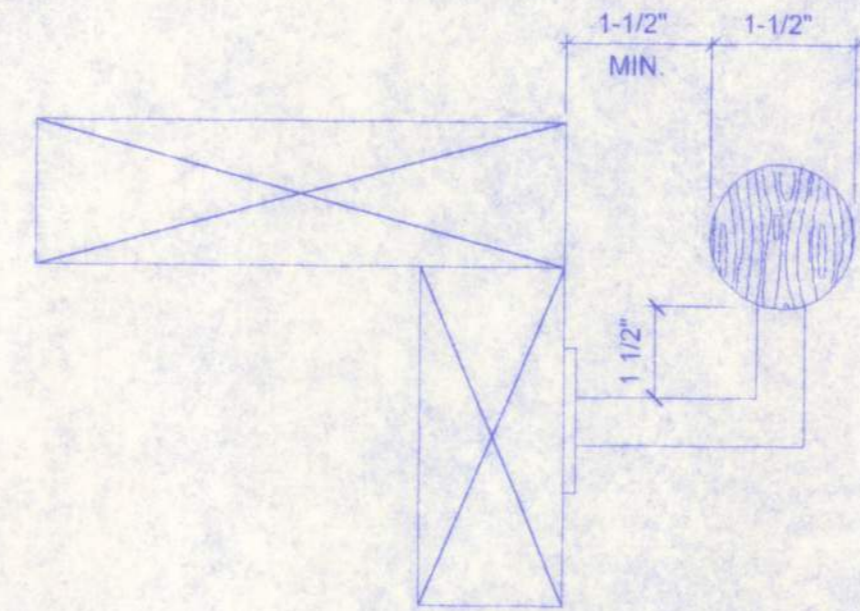


HANDRAIL CROSS SECTION
NTS

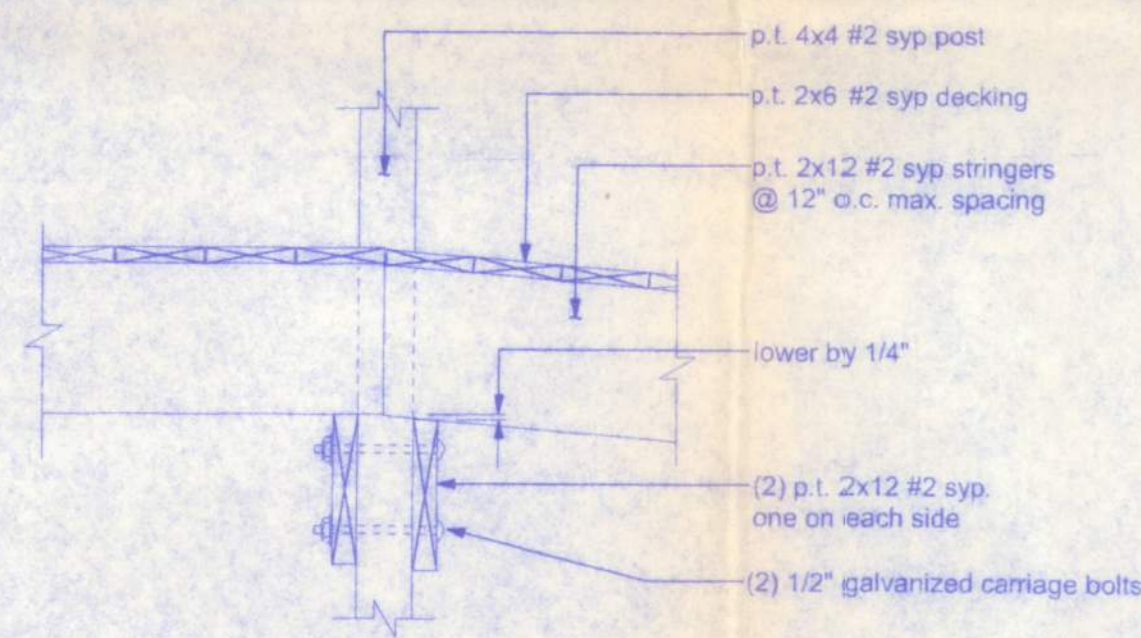


STEEL COATING RECOMMENDATIONS IN PRESSURE TREATED WOOD:

- Thicker galvanizing generally extends service life of a product. The treated wood industry recommends use of Stainless Steel and hot-dip galvanized connectors and fasteners with treated wood.
- Due to the uncertainties, which are out of the specifier's control, in regard to the chemicals used in pressure treated wood, Simpson recommends the use of stainless steel fasteners, anchors and connectors with treated wood when possible. At a minimum, customers should use ZMAX (G185 HDG per ASTM A653), Batch/Post Hot-Dip Galvanized (per ASTM A123 for connectors and ASTM A153 for fasteners), or mechanically galvanized fasteners (per ASTM B695, Class 55 or greater), product with the newer alternative treated woods.
- G60 galvanized products should not be used with treated woods.
- G90 galvanized connectors can be used with Sodium Borate (DOT - Disodium Octaborate Tetrahydrate) treated woods. Sodium Borate Treated woods are not suitable for applications where moisture exposure is likely. They are suitable for mudfill applications when transported, stored, and installed appropriately.
- When using stainless steel or hot-dip galvanized connectors, the connectors and fasteners should be made of the same material.

Simpson Strong-Tie Product Finishes	Untreated Wood	Chromated Copper Arsenate (CCA-C)	DOT Sodium Borate (SBX)	Alkaline Copper Quat ACC-C and ACC-D (Carbonate)	Copper Azole (CBA-A and CA-B)	SBX (DOT) with NASIO	Ammoniacal Copper Zinc Arsenate (ACZA)	Other Pressure Treated Woods
Standard (G90)	X	X	X					
ZMAX (G185)	X	X	X	X	X	X		
Post Hot-Dip Galvanized (HDG)	X	X	X	X	X	X	X	X
SST300 (Stainless Steel)	X	X	X	X	X	X	X	X

RAMP CROSS SECTION
SCALE: 1" = 1'-0"

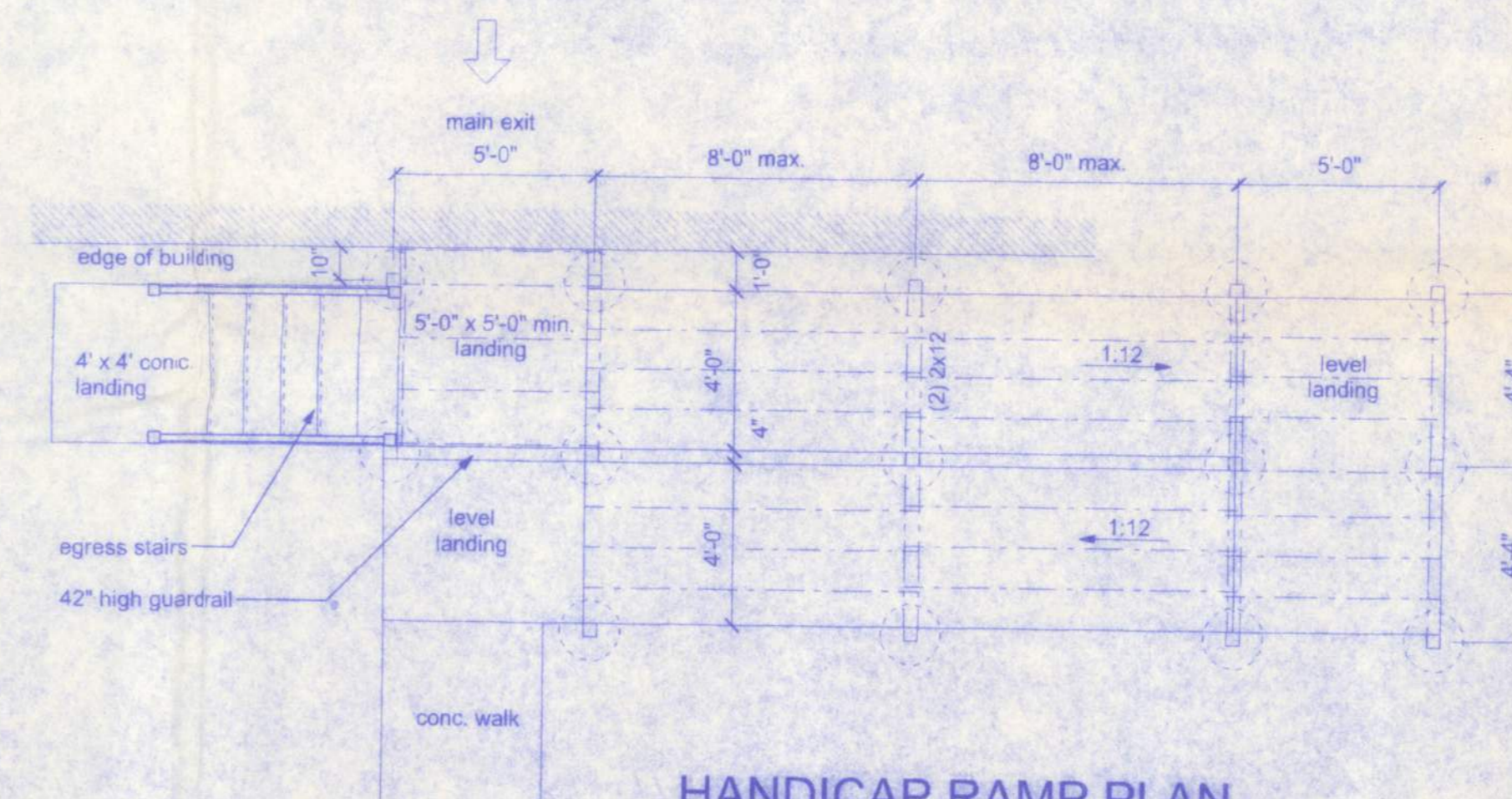


A SECTION
SCALE: 1" = 1'-0"

ALLOWABLE DEFLECTION OF STRUCTURAL MEMBERS

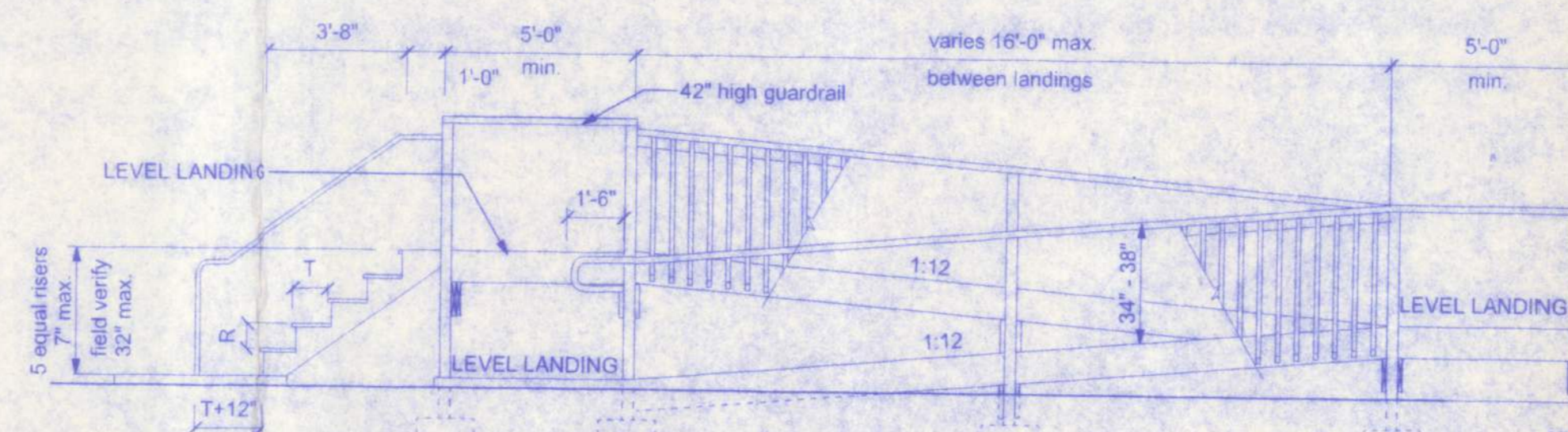
STRUCTURAL MEMBER	ALLOWABLE DEFLECTION
rafters having slopes greater than 2/12 with no finished ceiling attached to rafters	L/180
interior walls and partitions	H/180
floors and plastered ceilings	L/360
all other structural members	L/240
exterior walls with plaster or stucco finish	H/360
exterior walls - wind loads with brittle finishes	L/240
exterior walls - wind loads with flexible finishes	L/120

NOTE:
center landing with opening



HANDICAP RAMP PLAN
SCALE: 1/4" = 1'-0"

DESIGN LIVE LOADING: 100 PSF



NOTE:
intermediate posts and cross supports shall be spaced no greater than 8'-0" apart. (typical)

RAMP PROFILE
SCALE: 1/4" = 1'-0"

NOTE:
handrail - shall have min. and max. heights from top of ramp of 34" and 38" respectively. handrails shall have either a cross section diameter between 1 1/4" to 1 1/2" or shall provide equivalent graspability. clear space between handrail and wall shall be a min. of 1-1/2".

NOTES:
HANDRAILS SHALL BE LOCATED ON BOTH SIDES OF RAMP. PROVIDE NON SLIP SURFACE ON RAMP. MINIMUM CLEARANCE BETWEEN HANDRAILS SHALL BE 36"

Walter H. Freeman
4/23/10
P.E. # 65683

**A PLUS LEARNING ACADEMY
HANDICAP RAMP**

128 SW NASSAU STREET
LAKE CITY, FL 32025
(386)758-4209
CERTIFICATE OF AUTHORIZATION # 000006701



DATE: 04/23/10
DRAWN BY: W.H.F.
APPROVED BY: W.H.F.

REVISIONS

SHEET: A-2
OF: 2
PROJECT NO.: 10.C012