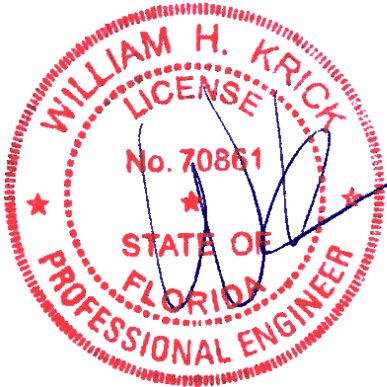




Alpine, an ITW Company
 155 Harlem Ave
 North Building, 4th Floor
 Glenview, IL 60025
 Phone: (800)755-6001
 www.alpineitw.com



This item has been digitally signed by William H. Krick on the date adjacent to the seal.

Printed copies of this document are not considered signed and sealed and the signature must be verified on any electronic copies.

COA #0 278

Florida Certificate of Product Approval #FL 1999

04/02/2026

Site Information:	Page 1:
Customer: W. B. Howland Company, Inc.	Job Number: 26-3626
Job Description: OXLEY	
Address: FL	

Job Engineering Criteria:	
Design Code: FBC 8th Ed. 2023 Res.	IntelliVIEW Version: 24.02.00D JRef #: 1YIW2150006
Wind Standard: ASCE 7-22 Wind Speed (mph): 130	Design Loading (psf): 40
Building Type: Enclosed	

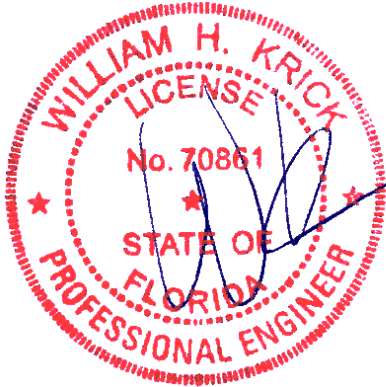
This package contains general notes pages, 95 truss drawing(s) and 3 detail(s).

Item	Drawing Number	Truss
1	090.26.1149.10633	A1
3	091.26.2239.15474	A3
5	091.26.2239.14587	A5
7	091.26.2239.12795	B2
9	091.26.2239.15588	B3
11	091.26.2239.14422	B5
13	091.26.2239.13967	B7
15	091.26.2239.15234	C2
17	090.26.1146.36757	C4
19	091.26.2239.16066	CJ4
21	090.26.1144.55987	D2
23	091.26.2239.13852	EJ6
25	091.26.2239.14947	G1
27	091.26.2239.14936	G3
29	091.26.2239.14087	H2
31	091.26.2239.14167	HJ1A
33	091.26.2239.14127	HJ1L
35	090.26.1043.39365	HJ11A
37	090.26.1043.37771	HJ20
39	091.26.2239.15554	HJ30
41	090.26.1043.39857	HJ30C
43	091.26.2239.14516	J1
45	090.26.1043.38005	J2
47	090.26.1043.38929	J3A
49	090.26.1043.39546	J4

Item	Drawing Number	Truss
2	091.26.2239.13098	A2
4	091.26.2239.14150	A4
6	091.26.2239.14622	A6
8	091.26.2239.15617	B2A
10	091.26.2239.15698	B4
12	091.26.2239.13210	B6
14	091.26.2239.15396	C1
16	090.26.1149.23720	C3
18	091.26.2239.14537	CJ2
20	090.26.1150.47963	D1
22	090.26.1145.13893	D3
24	091.26.2239.15587	EJ6A
26	091.26.2239.13322	G2
28	091.26.2239.16079	H1
30	091.26.2239.13916	HJ1
32	090.26.1043.39521	HJ1B
34	091.26.2239.14916	HJ11
36	091.26.2239.15676	HJ16
38	091.26.2239.14966	HJ20A
40	091.26.2239.15866	HJ30B
42	091.26.2239.14469	HJ43
44	090.26.1043.38086	J1A
46	090.26.1043.38451	J3
48	091.26.2239.12996	J3B
50	090.26.1043.39847	J5



Alpine, an ITW Company
 155 Harlem Ave
 North Building, 4th Floor
 Glenview, IL 60025
 Phone: (800)755-6001
 www.alpineitw.com



This item has been digitally signed by William H. Krick on the date adjacent to the seal.

Printed copies of this document are not considered signed and sealed and the signature must be verified on any electronic copies.

COA #0 278

Florida Certificate of Product Approval #FL 1999

04/02/2026

Site Information:	Page 2:
Customer: W. B. Howland Company, Inc.	Job Number: 26-3626
Job Description: OXLEY	
Address: FL	

Item	Drawing Number	Truss
51	090.26.1043.37820	J5A
53	090.26.1043.39068	J6
55	091.26.2239.14654	J7
57	090.26.1043.39963	J7B
59	091.26.2239.15047	J11
61	090.26.1043.38419	J13A
63	090.26.1043.38371	J21
65	091.26.2239.13081	J23
67	090.26.1043.38323	J31
69	091.26.2239.15007	J31B
71	090.26.1043.37778	J33
73	090.26.1043.40058	J41
75	090.26.1043.38452	K1
77	091.26.2239.15077	K3
79	090.26.1043.38578	L2
81	090.26.1043.40028	L4
83	090.26.1145.24413	M1
85	090.26.1145.39760	M3
87	090.26.1145.57870	M5
89	090.26.1043.38482	N2
91	090.26.1146.16767	T1
93	090.26.1043.38879	V2
95	090.26.1146.20100	V4
97	VAL180220723	

Item	Drawing Number	Truss
52	090.26.1043.40029	J5B
54	091.26.2239.14500	J6G
56	090.26.1043.38685	J7A
58	091.26.2239.14023	J7C
60	091.26.2239.16032	J13
62	091.26.2239.13082	J15
64	090.26.1043.38291	J21B
66	091.26.2239.12974	J23A
68	090.26.1043.40428	J31A
70	090.26.1043.38900	J31C
72	091.26.2239.13068	J33B
74	090.26.1043.39343	J43
76	090.26.1043.39209	K2
78	090.26.1043.40599	L1
80	090.26.1043.39146	L3
82	090.26.1043.39288	L5
84	090.26.1145.28683	M2
86	090.26.1145.44743	M4
88	090.26.1043.39607	N1
90	090.26.1043.40205	N3
92	090.26.1043.39210	V1
94	090.26.1146.18773	V3
96	BRCLBSUB0119	
98	VALTN220723	

General Notes

Truss Design Engineer Scope of Work, Design Assumptions and Design Responsibilities:

The design responsibilities assumed in the preparation of these design drawings are those specified in ANSI/TPI 1, Chapter 2; and the National Design Standard for Metal Plate Connected Wood Truss Construction, by the Truss Plate Institute. The truss component designs conform to the applicable provisions of ANSI/TPI 1 and NDS, the National Design Specification for Wood Construction by AWC. The truss component designs are based on the specified loading and dimension information furnished by others to the Truss Design Engineer. The Truss Design Engineer has no duty to independently verify the accuracy or completeness of the information provided by others and may rely on that information without liability. The responsibility for verification of that information remains with others neither employed nor controlled by the Truss Design Engineer. The Truss Design Engineer's seal and signature on the attached drawings, or cover page listing these drawings, indicates acceptance of professional engineering responsibility solely for the truss component designs and not for the technical information furnished by others which technical information and consequences thereof remain their sole responsibility.

The suitability and use of these drawings for any particular structure is the responsibility of the Building Designer in accordance with ANSI/TPI 1 Chapter 2. The Building Designer is responsible for determining that the dimensions and loads for each truss component match those required by the plans and by the actual use of the individual component, and for ascertaining that the loads shown on the drawings meet or exceed applicable building code requirements and any additional factors required in the particular application. Truss components using metal connector plates with integral teeth shall not be placed in environments that will cause the moisture content of the wood in which plates are embedded to exceed 19% and/or cause corrosion of connector plates and other metal fasteners.

The Truss Design Engineer shall not be responsible for items beyond the specific scope of the agreed contracted work set forth herein, including but not limited to: verifying the dimensions of the truss component, calculation of any of the truss component design loads, inspection of the truss components before or after installation, the design of temporary or permanent bracing and their attachment required in the roof and/or floor systems, the design of diaphragms or shear walls, the design of load transfer connections to and from diaphragms and shear walls, the design of load transfer to the foundation, the design of connections for truss components to their bearing supports, the design of the bearing supports, installation of the truss components, observation of the truss component installation process, review of truss assembly procedures, sequencing of the truss component installation, construction means and methods, site and/or worker safety in the installation of the truss components and/or its connections.

This document may be a high-quality facsimile of the original engineering document which is a digitally signed electronic file with third party authentication. A wet or embossed seal copy of this engineering document is available upon request.

Temporary Lateral Restraint and Bracing:

Temporary lateral restraint and diagonal bracing shall be installed according to the provisions of BCSI chapters B1, B2, B7 and/or B10 (Building Component Safety Information, by TPI and SBCA), or as specified by the Building Designer or other Registered Design Professional. The required locations for lateral restraint and/or bracing depicted on these drawings are only for the permanent lateral support of the truss members to reduce buckling lengths, and do not apply to and may not be relied upon for the temporary stability of the truss components during their installation.

Permanent Lateral Restraint and Bracing:

The required locations for lateral restraint or bracing depicted on these drawings are for the permanent lateral support of the truss members to reduce buckling lengths. Permanent lateral support shall be installed according to the provisions of BCSI chapters B3, B7 and/or B10, or as specified by the Building Designer or other Registered Design Professional. These drawings do not depict or specify installation/erection bracing, wind bracing, portal bracing or similar building stability bracing which are parts of the overall building design to be specified, designed, and detailed by the Building Designer.

Connector Plate Information:

Alpine connector plates are made of ASTM A653 or ASTM A1063 galvanized steel with the following designations, gauges and grades: W=Wave, 20ga, grade 40; H=High Strength, 20ga, grade 60; S=Super Strength, 18ga, grade 60. Information on model code compliance is contained in the ICC Evaluation Service report ESR-1118, available on-line at www.icc-es.org.

Bearing Information:

The bearing area factor, C_b , is considered for the allowable capacity of solid sawn wood bearings supporting trusses that are located a minimum of 3" from the end of the lumber piece.

General Notes (continued)

Coated Lumber:

Coated lumber must be properly re-dried and maintained below 19% or less moisture level through all stages of construction and usage. Coated lumber has no adjustments to lumber properties. Coated lumber may be more brittle than uncoated lumber. Special handling care must be taken to prevent breakage during all handling activities. Refer to manufacturer literature, specifications, and code evaluation reports for restrictions, details, and requirements.

Fire Retardant Treated Lumber:

Fire retardant treated lumber must be properly re-dried and maintained below 19% or less moisture level through all stages of construction and usage. Fire retardant treated lumber may be more brittle than untreated lumber. Special handling care must be taken to prevent breakage during all handling activities.

Key to Terms:

Information provided on drawings reflects a summary of the pertinent information required for the truss design. Detailed information on load cases, reactions, member lengths, forces and members requiring permanent lateral support may be found in calculation sheets available upon written request.

BCDL = Bottom Chord standard design Dead Load in pounds per square foot.

BCLL = Bottom Chord standard design Live Load in pounds per square foot.

C = Coated lumber.

C-AT = AtTEK coated lumber.

C-FX = FX Lumber Guard coated lumber.

C-TE = TechWood 4400 coated lumber.

CL = Certified lumber.

Des Ld = total of TCLL, TCDL, BCLL and BCDL Design Load in pounds per square foot.

FRT = Fire Retardant Treated lumber.

FRT-BF = Borafire Fire Retardant Treated lumber

FRT-DB = D-Blaze Fire Retardant Treated lumber.

FRT-DC = Dricon Fire Retardant Treated lumber.

FRT-FP = FirePRO Fire Retardant Treated lumber.

FRT-FL = FlamePRO Fire Retardant Treated lumber.

FRT-FT = FlameTech Fire Retardant Treated lumber.

FRT-ON = OnWood Fire Retardant Treated lumber.

FRT-PG = PYRO-GUARD Fire Retardant Treated lumber.

FRT-PR = ProWood Fire Retardant Treated lumber.

g = green lumber.

HORZ(LL) = maximum Horizontal panel point deflection due to Live Load, in inches.

HORZ(TL) = maximum Horizontal panel point long term deflection in inches, due to Total Load, including creep adjustment.

HPL = additional Horizontal Load added to a truss Piece in pounds per linear foot or pounds.

Ic = Incised lumber.

FJ = Finger Jointed lumber.

L/# = user specified divisor for limiting span/deflection ratio for evaluation of actual L/defl value.

L/defl = ratio of Length between bearings, in inches, divided by the vertical Deflection due to creep, in inches, at the referenced panel point. Reported as 999 if greater than or equal to 999.

Loc = Location, starting location of left end of bearing or panel point (joint) location of deflection.

Max BC CSI = Maximum bending and axial Combined Stress Index for Bottom Chords for all load cases.

Max TC CSI = Maximum bending and axial Combined Stress Index for Top Chords for all load cases.

Max Web CSI = Maximum bending and axial Combined Stress Index for Webs for all load cases.

NCBCLL = Non-Concurrent Bottom Chord design Live Load in pounds per square foot.

PL = additional Load applied at a user specified angle on a truss Piece in pounds per linear foot or pounds.

PLB = additional vertical load added to a Bottom chord Piece of a truss in pounds per linear foot or pounds

PLT = additional vertical load added to a Top chord Piece of a truss in pounds per linear foot or pounds.

PP = Panel Point.

R = maximum downward design Reaction, in pounds, from all specified gravity load cases, at the indicated location (Loc).

-R = maximum upward design Reaction, in pounds, from all specified gravity load cases, at the identified location (Loc).

Rh = maximum horizontal design Reaction in either direction, in pounds, from all specified gravity load cases, at the indicated location (Loc).

RL = maximum horizontal design Reaction in either direction, in pounds, from all specified non-gravity (wind or seismic) load cases, at the indicated location (Loc).

General Notes (continued)

Key to Terms (continued):

Rw = maximum downward design Reaction, in pounds, from all specified non-gravity (wind or seismic) load cases, at the identified location (Loc).

TCDL = Top Chord standard design Dead Load in pounds per square foot.

TCLL = Top Chord standard design Live Load in pounds per square foot.

U = maximum Upward design reaction, in pounds, from all specified non-gravity (wind or seismic) load cases, at the indicated location (Loc).

VERT(CL) = maximum Vertical panel point deflection in inches due to Live Load and Creep Component of Dead Load in inches.

VERT(CTL) = maximum Vertical panel point deflection ratios due to Live Load and Creep Component of Dead Load, and maximum long term Vertical panel point deflection in inches due to Total load, including creep adjustment.

VERT(LL) = maximum Vertical panel point deflection in inches due to Live Load.

VERT(TL) = maximum Vertical panel point long term deflection in inches due to Total load, including creep adjustment.

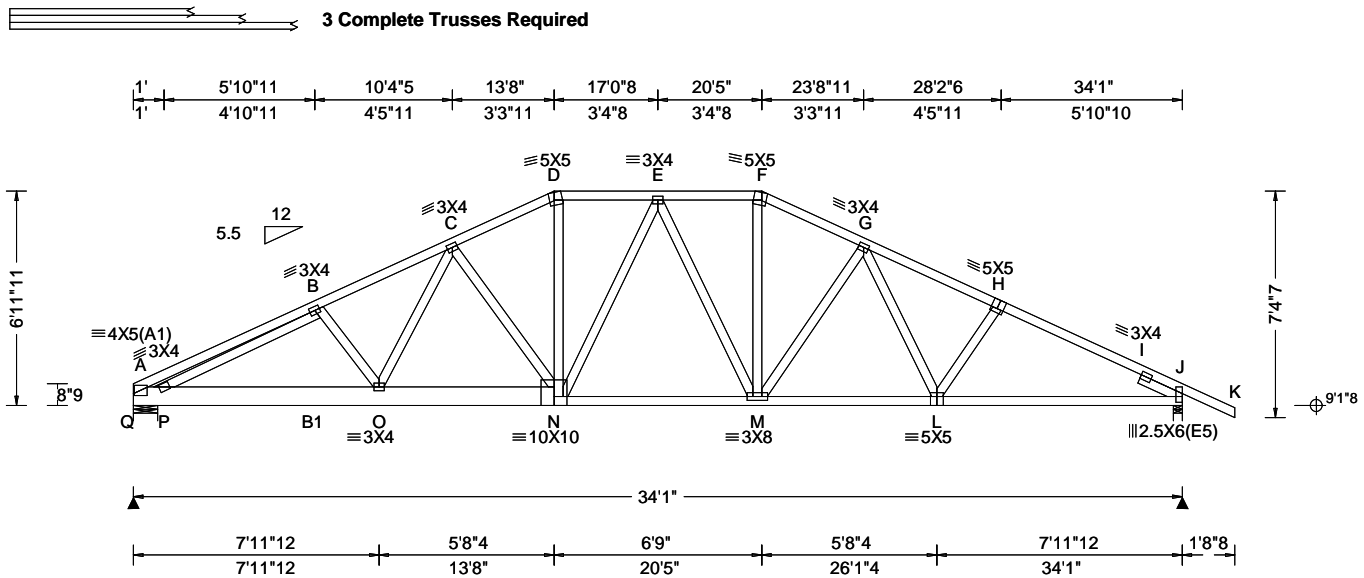
W = Width of non-hanger bearing, in inches.

Refer to ASCE-7 for Wind and Seismic abbreviations.

Uppercase Acronyms not explained above are as defined in TPI 1.

References:

1. AWC: American Wood Council; 222 Catoclin Circle SE, Suite 201; Leesburg, VA 20175; www.awc.org.
2. ICC: International Code Council; www.iccsafe.org.
3. Alpine, a division of ITW Building Components Group Inc.: 155 Harlem Ave, North Building, 4th Floor, Glenview, IL 60025; www.alpineitw.com.
4. TPI: Truss Plate Institute, 2670 Crain Highway, Suite 203, Waldorf, MD 20601; www.tpinst.org.
5. SBCA: Wood Truss Council of America, 6300 Enterprise Lane, Madison, WI 53719; www.sbcacomponents.com



Loading Criteria (psf) TCLL: 20.00 TCDL: 10.00 BCLL: 0.00 BCDL: 10.00 Des Ld: 40.00 NCBCLL: 0.00 Soffit: 2.00 Load Duration: 1.25 Spacing: 24.0 "	Wind Criteria Wind Std: ASCE 7-22 Speed: 130 mph Enclosure: Enclosed Risk Category: II EXP: C Kzt: NA Mean Height: 15.00 ft TCDL: 5.0 psf BCDL: 5.0 psf MWFRS Parallel Dist: 0 to h/2 C&C Dist a: 3.41 ft Loc. from endwall: not in 9.00 ft GCp: 0.18 Wind Duration: 1.60	Snow Criteria (Pg,Pf in PSF) Pg: NA Ct: NA CAT: NA Pf: NA Ce: NA Lu: NA Cs: NA Snow Duration: NA Building Code: FBC 8th Ed. 2023 Res. TPI Std: 2014 Rep Fac: Yes FT/RT:20(0)/10(0) Plate Type(s): WAVE	Defl/CSI Criteria PP Deflection in loc L/defl L/# VERT(LL): 0.045 E 999 360 VERT(CL): 0.090 E 999 240 HORZ(LL): 0.009 J - - HORZ(TL): 0.018 J - - Creep Factor: 2.0 Max TC CSI: 0.160 Max BC CSI: 0.246 Max Web CSI: 0.198 VIEW Ver: 24.02.00D.0114.10	▲ Maximum Reactions (lbs) Gravity Non-Gravity Loc R+ /R- /Rh /Rw /U /RL Q 6737 /- /- /- /773 /- J 1645 /- /- /- /302 /- Wind reactions based on MWFRS Q Brg Wid = 9.5 Min Req = 1.9 (Truss) J Brg Wid = 3.5 Min Req = 1.5 (Truss) Bearings Q & J are a rigid surface. Members not listed have forces less than 375# Maximum Top Chord Forces Per Ply (lbs) Chords Tens.Comp. Chords Tens. Comp. A - B 218 -1780 F - G 124 -743 B - C 177 -1184 G - H 144 -878 C - D 132 -803 H - I 165 -929 D - E 114 -716 I - J 170 -943 E - F 108 -666 Maximum Bot Chord Forces Per Ply (lbs) Chords Tens.Comp. Chords Tens. Comp. A - P 1599 -191 N - M 707 -118 P - O 1155 -178 M - L 740 -124 O - N 896 -141 L - J 819 -142 Maximum Web Forces Per Ply (lbs) Webs Tens.Comp. Webs Tens. Comp. P - B 519 -150 O - C 382 -30
-------------------------------------------------------------------------------------------------------------------------------------------------------------------------------------	-------------------------------------------------------------------------------------------------------------------------------------------------------------------------------------------------------------------------------------------------------------------------------------------------------------------------	----------------------------------------------------------------------------------------------------------------------------------------------------------------------------------------------------------------------------------------------------	-------------------------------------------------------------------------------------------------------------------------------------------------------------------------------------------------------------------------------------------------------------------------------------------------	-----------------------------------------------------------------------------------------------------------------------------------------------------------------------------------------------------------------------------------------------------------------------------------------------------------------------------------------------------------------------------------------------------------------------------------------------------------------------------------------------------------------------------------------------------------------------------------------------------------------------------------------------------------------------------------------------------------------------------------------------------------------------------------------------------------------------------------------------------------------------------------------------------------------------------

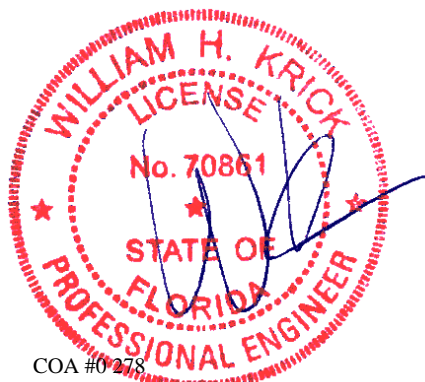
Lumber
Top chord: 2x4 SP #2;
Bot chord: 2x4 SP M-31; B1 2x8 SP 2400f-2.0E;
Webs: 2x4 SP #3;
Rt Slider: 2x4 SP #3; block length = 1.500'

Nailnote
Nail Schedule: 0.128"x3", min. nails
Top Chord: 1 Row @ 12.00" o.c.
Bot Chord: 1 Row @ 8.75" o.c.
Webs : 1 Row @ 4" o.c.
Repeat nailing as each layer is applied. Use equal spacing between rows and stagger nails in each row to avoid splitting.

Special Loads
-----(Lumber Dur.Fac.=1.25 / Plate Dur.Fac.=1.25)
TC: From 62 plf at 0.00 to 62 plf at 35.79
BC: From 20 plf at 0.00 to 20 plf at 34.08
BC: From 4 plf at 34.08 to 4 plf at 35.79
BC: 5474 lb Conc. Load at 1.00 +

Wind
Wind loads and reactions based on MWFRS.
Wind loading based on both gable and hip roof types.

Additional Notes
The overall height of this truss excluding overhang is 6-11-11.
+ PROVIDE (6) 0.131"x3.0" GUN NAILS IN AREA OF CONCENTRATED LOAD OPPOSITE HANGER, WITHOUT SPLITTING LUMBER.

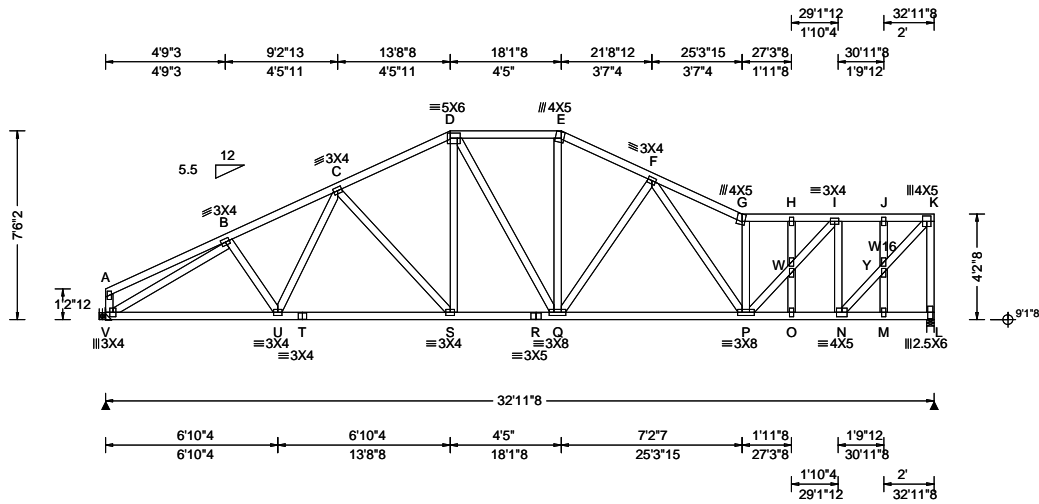


COA #0278
01/02/2023
Florida Certificate of Product Approval #FL 1999

****WARNING** READ AND FOLLOW ALL NOTES ON THIS DRAWING!**
****IMPORTANT** FURNISH THIS DRAWING TO ALL CONTRACTORS INCLUDING THE INSTALLERS**
Trusses require extreme care in fabricating, handling, shipping, installing and bracing. Refer to and follow the latest edition of BCSI (Building Component Safety Information, by TPI and SBCA) for safety practices prior to performing these functions. Installers shall provide temporary bracing per BCSI. Unless noted otherwise, top chord shall have properly attached structural sheathing and bottom chord shall have a properly attached rigid ceiling. Locations shown for permanent lateral restraint of webs shall have continuous lateral restraint (CLR), installed with diagonal bracing installed on the CLR per BCSI sections B3, B7, or B10, as applicable. Apply plates to each face of truss and position as shown above and on the Joint Details, unless noted otherwise. Refer to drawings 160A-Z for standard plate positions. Refer to job's General Notes page for additional information.
Alpine, a division of ITW Building Components Group Inc. shall not be responsible for any deviation from this drawing, any failure to build the truss in conformance with ANSI/TPI 1, or for handling, shipping, installation and bracing of trusses. A seal on this drawing or cover page listing this drawing, indicates acceptance of professional engineering responsibility solely for the design shown. The suitability and use of this drawing for any structure is the responsibility of the Building Designer per ANSI/TPI 1 Sec.2.
For more information see these web sites: Alpine: alpineitw.com; TPI: tpinst.org; SBCA: sbcacomponents.com; ICC: iccsafe.org; AWC: awc.org



2 Complete Trusses Required



Loading Criteria (psf) TCLL: 20.00 TCCL: 10.00 BCLL: 0.00 BCDL: 10.00 Des Ld: 40.00 NCBCLL: 0.00 Soffit: 2.00 Load Duration: 1.25 Spacing: 24.0 "	Wind Criteria Wind Std: ASCE 7-22 Speed: 130 mph Enclosure: Enclosed Risk Category: II EXP: C Kzt: NA Mean Height: 15.00 ft TCCL: 5.0 psf BCDL: 5.0 psf MWFRS Parallel Dist: 0 to h/2 C&C Dist a: 3.30 ft Loc. from endwall: not in 9.00 ft GCp: 0.18 Wind Duration: 1.60	Snow Criteria (Pg,Pf in PSF) Pg: NA Ct: NA CAT: NA Pf: NA Ce: NA Lu: NA Cs: NA Snow Duration: NA Building Code: FBC 8th Ed. 2023 Res. TPI Std: 2014 Rep Fac: Varies by Ld Case FT/RT:20(0)/10(0) Plate Type(s): WAVE	Defl/CSI Criteria PP Deflection in loc L/defl L/# VERT(LL): 0.088 G 999 360 VERT(CL): 0.150 G 999 240 HORZ(LL): 0.029 L - - HORZ(TL): 0.053 L - - Creep Factor: 2.0 Max TC CSI: 0.502 Max BC CSI: 0.463 Max Web CSI: 0.609 VIEW Ver: 24.02.00D.0114.10	▲ Maximum Reactions (lbs) Gravity Non-Gravity Loc R+ / R- / Rh / Rw / U / RL V 1536 - / - / - / 270 - / - L 2885 - / - / - / 525 - / - Wind reactions based on MWFRS V Brg Wid = - Min Req = - L Brg Wid = 3.5 Min Req = 1.7 (Truss) Bearing L is a rigid surface. Members not listed have forces less than 375# Maximum Top Chord Forces Per Ply (lbs) Chords Tens.Comp. Chords Tens. Comp.
				B - C 207 -1197 G - H 275 -1605 C - D 192 -1059 H - I 274 -1604 D - E 174 -1004 I - J 199 -1155 E - F 200 -1122 J - K 199 -1155 F - G 317 -1818

Lumber
 Top chord: 2x4 SP #2;
 Bot chord: 2x4 SP #2;
 Webs: 2x4 SP #3; W16 2x4 SP #2;

Wind
 Wind loads and reactions based on MWFRS.
 End verticals not exposed to wind pressure.
 Wind loading based on both gable and hip roof types.

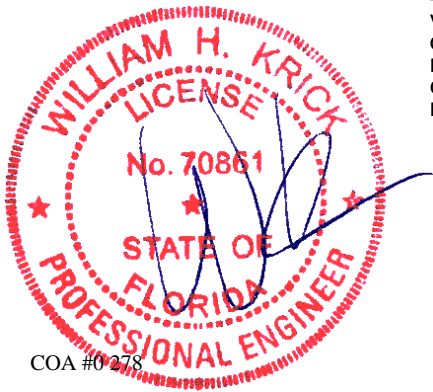
Nailnote
 Nail Schedule: 0.128"x3", min. nails
 Top Chord: 1 Row @11.50" o.c.
 Bot Chord: 1 Row @12.00" o.c.
 Webs : 1 Row @ 4" o.c.
 Use equal spacing between rows and stagger nails in each row to avoid splitting.

Special Loads
 -----(Lumber Dur.Fac.=1.25 / Plate Dur.Fac.=1.25)
 TC: From 62 plf at 0.00 to 62 plf at 25.33
 TC: From 190 plf at 25.33 to 190 plf at 30.00
 TC: From 62 plf at 30.00 to 62 plf at 30.06
 TC: From 31 plf at 30.06 to 31 plf at 32.96
 BC: From 20 plf at 0.00 to 20 plf at 30.06
 BC: From 10 plf at 30.06 to 10 plf at 32.96
 TC: 992 lb Conc. Load at 30.06
 TC: 246 lb Conc. Load at 32.10

Plating Notes
 All plates are 2X4 except as noted.

Hangers / Ties
 Hanger Support Required, by others

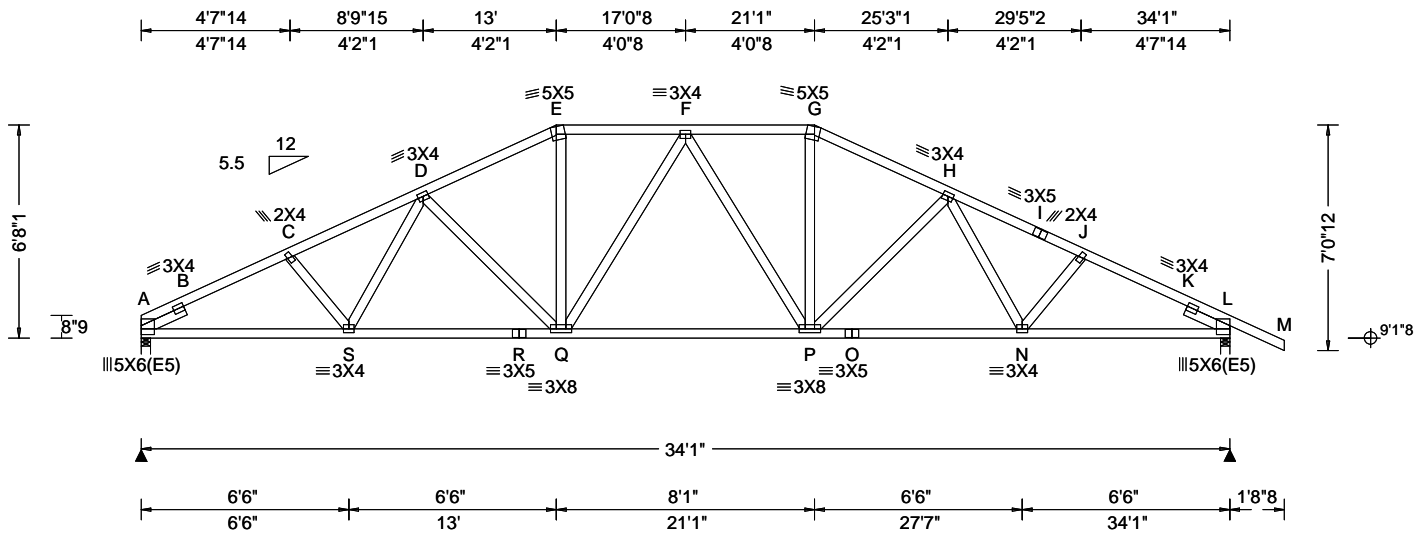
Additional Notes
 The overall height of this truss excluding overhang is 7-6-2.



COA #0278
 01/03/2026
 Florida Certificate of Product Approval #FL 1999

****WARNING** READ AND FOLLOW ALL NOTES ON THIS DRAWING!**
****IMPORTANT** FURNISH THIS DRAWING TO ALL CONTRACTORS INCLUDING THE INSTALLERS**
 Trusses require extreme care in fabricating, handling, shipping, installing and bracing. Refer to and follow the latest edition of BCSI (Building Component Safety Information, by TPI and SBCA) for safety practices prior to performing these functions. Installers shall provide temporary bracing per BCSI. Unless noted otherwise, top chord shall have properly attached structural sheathing and bottom chord shall have a properly attached rigid ceiling. Locations shown for permanent lateral restraint of webs shall have continuous lateral restraint (CLR), installed with diagonal bracing installed on the CLR per BCSI sections B3, B7, or B10, as applicable. Apply plates to each face of truss and position as shown above and on the Joint Details, unless noted otherwise. Refer to drawings 160A-Z for standard plate positions. Refer to job's General Notes page for additional information.
 Alpine, a division of ITW Building Components Group Inc. shall not be responsible for any deviation from this drawing, any failure to build the truss in conformance with ANSI/TPI 1, or for handling, shipping, installation and bracing of trusses. A seal on this drawing or cover page listing this drawing, indicates acceptance of professional engineering responsibility solely for the design shown. The suitability and use of this drawing for any structure is the responsibility of the Building Designer per ANSI/TPI 1 Sec.2.
 For more information see these web sites: Alpine: alpineitw.com; TPI: tpinst.org; SBCA: sbcacomponents.com; ICC: iccsafe.org; AWC: awc.org





Loading Criteria (psf)

TCLL: 20.00
 TCCL: 10.00
 BCLL: 0.00
 BCDL: 10.00
 Des Ld: 40.00
 NCBCLL: 10.00
 Soffit: 2.00
 Load Duration: 1.25
 Spacing: 24.0 "

Wind Criteria

Wind Std: ASCE 7-22
 Speed: 130 mph
 Enclosure: Enclosed
 Risk Category: II
 EXP: C Kzt: NA
 Mean Height: 15.00 ft
 TCCL: 5.0 psf
 BCDL: 5.0 psf
 MWFRS Parallel Dist: h/2 to h
 C&C Dist a: 3.41 ft
 Loc. from endwall: not in 9.00 ft
 GCp: 0.18
 Wind Duration: 1.60

Snow Criteria (Pg,Pf in PSF)

Pg: NA Ct: NA CAT: NA
 Pf: NA Ce: NA
 Lu: NA Cs: NA
 Snow Duration: NA

Building Code:
 FBC 8th Ed. 2023 Res.
 TPI Std: 2014
 Rep Fac: Yes
 FT/RT:20(0)/10(0)
 Plate Type(s):
 WAVE

Defl/CSI Criteria

PP Deflection in loc L/defl L/#
 VERT(LL): 0.136 F 999 360
 VERT(CL): 0.269 F 999 240
 HORZ(LL): 0.054 L - -
 HORZ(TL): 0.108 L - -
 Creep Factor: 2.0
 Max TC CSI: 0.257
 Max BC CSI: 0.678
 Max Web CSI: 0.305

VIEW Ver: 24.02.00D.0114.10

Maximum Reactions (lbs)

Loc	Gravity			Non-Gravity		
	R+	/R-	/Rh	/Rw	/U	/RL
A	1395	-	-	/807	/248	/169
L	1514	-	-	/813	/280	-

Wind reactions based on MWFRS
 A Brg Wid = 3.5 Min Req = 1.6 (Truss)
 L Brg Wid = 3.5 Min Req = 1.8 (Truss)
 Bearings A & L are a rigid surface.
 Members not listed have force less than 375#

Maximum Top Chord Forces Per Ply (lbs)

Chords	Tens.Comp.	Chords	Tens. Comp.
A - B	815 -2588	G - H	784 -2008
B - C	815 -2547	H - I	807 -2367
C - D	815 -2427	I - J	794 -2401
D - E	783 -2011	J - K	806 -2516
E - F	756 -1789	K - L	821 -2556
F - G	756 -1785		

Lumber

Top chord: 2x4 SP #2;
 Bot chord: 2x4 SP #2;
 Webs: 2x4 SP #3;
 Lt Slider: 2x4 SP #3; block length = 1.500'
 Rt Slider: 2x4 SP #3; block length = 1.500'

Wind

Wind loads based on MWFRS with additional C&C member design.
 Wind loading based on both gable and hip roof types.

Additional Notes

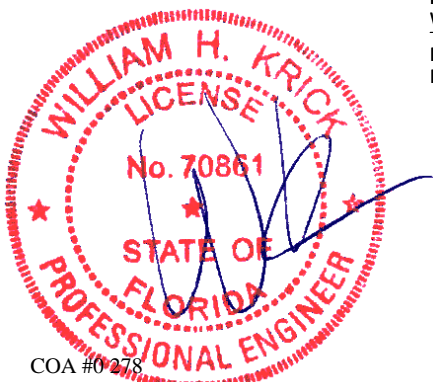
The overall height of this truss excluding overhang is 6-8-1.

Maximum Bot Chord Forces Per Ply (lbs)

Chords	Tens.Comp.	Chords	Tens. Comp.
A - S	2250 -661	P - O	2054 -595
S - R	2064 -604	O - N	2054 -595
R - Q	2064 -604	N - L	2215 -642
Q - P	1862 -547		

Maximum Web Forces Per Ply (lbs)

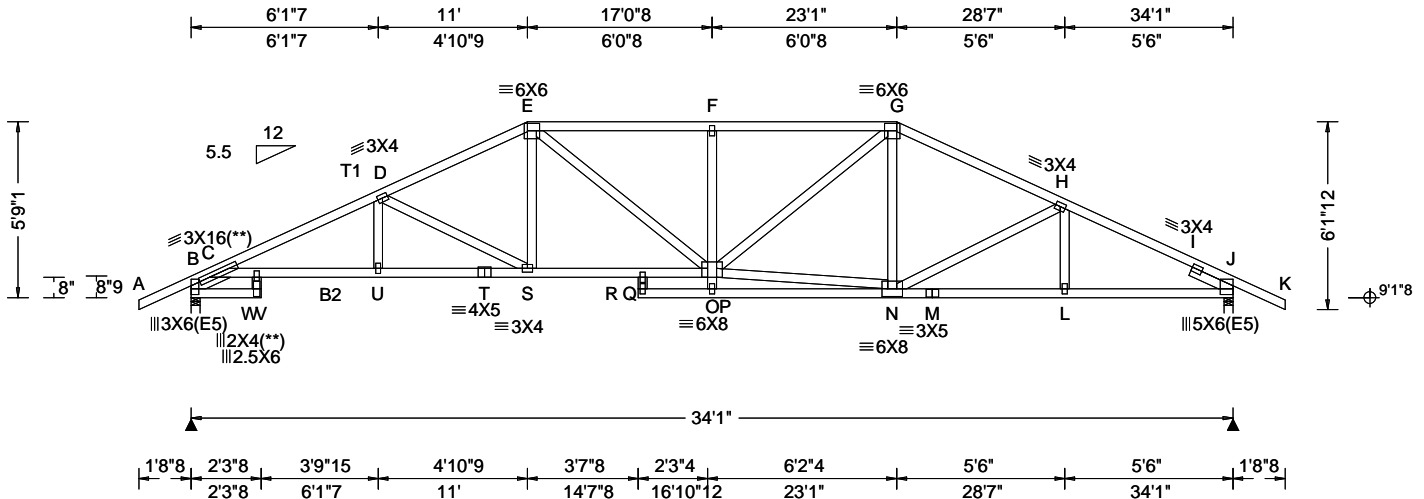
Webs	Tens.Comp.	Webs	Tens. Comp.
D - Q	163 -410	P - G	562 -159
E - Q	562 -160	P - H	160 -401



COA #0218
 01/02/2026
 Florida Certificate of Product Approval #FL 1999

****WARNING** READ AND FOLLOW ALL NOTES ON THIS DRAWING!**
****IMPORTANT** FURNISH THIS DRAWING TO ALL CONTRACTORS INCLUDING THE INSTALLERS**
 Trusses require extreme care in fabricating, handling, shipping, installing and bracing. Refer to and follow the latest edition of BCSI (Building Component Safety Information, by TPI and SBCA) for safety practices prior to performing these functions. Installers shall provide temporary bracing per BCSI. Unless noted otherwise, top chord shall have properly attached structural sheathing and bottom chord shall have a properly attached rigid ceiling. Locations shown for permanent lateral restraint of webs shall have continuous lateral restraint (CLR), installed with diagonal bracing installed on the CLR per BCSI sections B3, B7, or B10, as applicable. Apply plates to each face of truss and position as shown above and on the Joint Details, unless noted otherwise. Refer to drawings 160A-Z for standard plate positions. Refer to job's General Notes page for additional information.
 Alpine, a division of ITW Building Components Group Inc. shall not be responsible for any deviation from this drawing, any failure to build the truss in conformance with ANSI/TPI 1, or for handling, shipping, installation and bracing of trusses. A seal on this drawing or cover page listing this drawing, indicates acceptance of professional engineering responsibility solely for the design shown. The suitability and use of this drawing for any structure is the responsibility of the Building Designer per ANSI/TPI 1 Sec.2.
 For more information see these web sites: Alpine: alpineitw.com; TPI: tpinst.org; SBCA: sbccomponents.com; ICC: iccsafe.org; AWC: awc.org





Loading Criteria (psf) TCLL: 20.00 TCDL: 10.00 BCLL: 0.00 BCDL: 10.00 Des Ld: 40.00 NCBCLL: 10.00 Soffit: 2.00 Load Duration: 1.25 Spacing: 24.0 "	Wind Criteria Wind Std: ASCE 7-22 Speed: 130 mph Enclosure: Enclosed Risk Category: II EXP: C Kzt: NA Mean Height: 15.00 ft TCDL: 5.0 psf BCDL: 5.0 psf MWFRS Parallel Dist: h/2 to h C&C Dist a: 3.41 ft Loc. from endwall: not in 9.00 ft GCp: 0.18 Wind Duration: 1.60	Snow Criteria (Pg,Pf in PSF) Pg: NA Ct: NA CAT: NA Pf: NA Ce: NA Lu: NA Cs: NA Snow Duration: NA Building Code: FBC 8th Ed. 2023 Res. TPI Std: 2014 Rep Fac: Yes FT/RT:20(0)/10(0) Plate Type(s): WAVE	Defl/CSI Criteria PP Deflection in loc L/defl L/# VERT(LL): 0.213 S 999 360 VERT(CL): 0.400 F 999 240 HORZ(LL): 0.146 I - - HORZ(TL): 0.254 J - - Creep Factor: 2.0 Max TC CSI: 0.585 Max BC CSI: 0.662 Max Web CSI: 0.684 VIEW Ver: 24.02.00D.0114.10	▲ Maximum Reactions (lbs) Gravity Non-Gravity Loc R+ / R- / Rh / Rw / U / RL B 1511 - / - / - /806 /281 /130 J 1511 - / - / - /806 /281 - Wind reactions based on MWFRS B Brg Wid = 3.5 Min Req = 1.8 (Truss) J Brg Wid = 3.5 Min Req = 1.8 (Truss) Bearings B & J are a rigid surface. Members not listed have forces less than 375# Maximum Top Chord Forces Per Ply (lbs) Chords Tens.Comp. Chords Tens. Comp. B - C 712 -1314 F - G 1139 -2556 C - D 1125 -3157 G - H 911 -2187 D - E 1013 -2467 H - I 907 -2509 E - F 1144 -2569 I - J 902 -2549 Maximum Bot Chord Forces Per Ply (lbs) Chords Tens.Comp. Chords Tens. Comp. C - W 2698 -891 Q - O 2100 -697 W - U 2845 -949 N - M 2207 -730 U - T 2838 -950 M - L 2207 -730 T - S 2838 -950 L - J 2210 -729 S - Q 2175 -735 Maximum Web Forces Per Ply (lbs) Webs Tens.Comp. Webs Tens. Comp. D - S 244 -754 O - N 1795 -585 E - S 434 -44 O - G 792 -376 E - O 618 -278 F - O 348 -395
--------------------------------------------------------------------------------------------------------------------------------------------------------------------------------------	-------------------------------------------------------------------------------------------------------------------------------------------------------------------------------------------------------------------------------------------------------------------------------------------------------------------------	----------------------------------------------------------------------------------------------------------------------------------------------------------------------------------------------------------------------------------------------------	-------------------------------------------------------------------------------------------------------------------------------------------------------------------------------------------------------------------------------------------------------------------------------------------------	--------------------------------------------------------------------------------------------------------------------------------------------------------------------------------------------------------------------------------------------------------------------------------------------------------------------------------------------------------------------------------------------------------------------------------------------------------------------------------------------------------------------------------------------------------------------------------------------------------------------------------------------------------------------------------------------------------------------------------------------------------------------------------------------------------------------------------------------------------------------------------------------------------------------------------------------------------------------------------------------------------------------------------------------------------------------

Lumber

Top chord: 2x4 SP #2; T1 2x4 SP M-31;
Bot chord: 2x4 SP #2; B2 2x4 SP M-31;
Webs: 2x4 SP #3;
Lt Slider: 2x4 SP #3; block length = 1.339'
Rt Slider: 2x4 SP #3; block length = 1.500'

Plating Notes

All plates are 2X4 except as noted.
(**) 2 plate(s) require special positioning. Refer to scaled plate plot details for special positioning requirements.

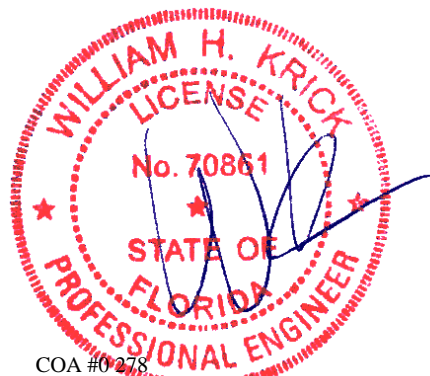
Wind

Wind loads based on MWFRS with additional C&C member design.
Wind loading based on both gable and hip roof types.

Additional Notes

The overall height of this truss excluding overhang is 5-9-1.

Note: Laterally brace bottom chord above filler at 20' O.C.Max. including a lateral brace at chord ends.

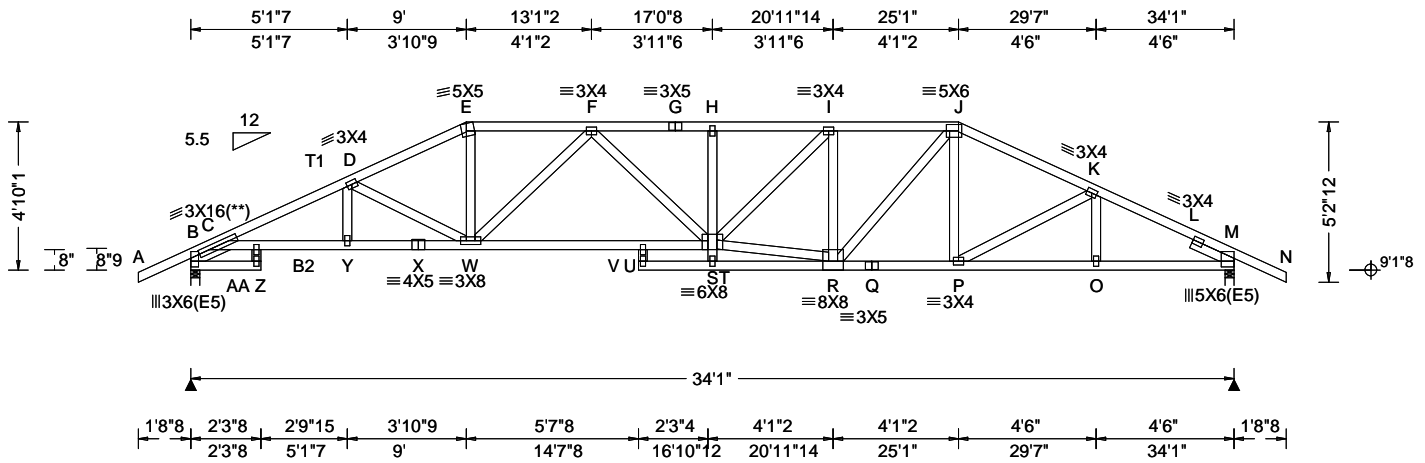


COA #0218

Florida Certificate of Product Approval #FL 1999

****WARNING** READ AND FOLLOW ALL NOTES ON THIS DRAWING!**
****IMPORTANT** FURNISH THIS DRAWING TO ALL CONTRACTORS INCLUDING THE INSTALLERS**
Trusses require extreme care in fabricating, handling, shipping, installing and bracing. Refer to and follow the latest edition of BCSI (Building Component Safety Information, by TPI and SBCA) for safety practices prior to performing these functions. Installers shall provide temporary bracing per BCSI. Unless noted otherwise, top chord shall have properly attached structural sheathing and bottom chord shall have a properly attached rigid ceiling. Locations shown for permanent lateral restraint of webs shall have continuous lateral restraint (CLR), installed with diagonal bracing installed on the CLR per BCSI sections B3, B7, or B10, as applicable. Apply plates to each face of truss and position as shown above and on the Joint Details, unless noted otherwise. Refer to drawings 160A-Z for standard plate positions. Refer to job's General Notes page for additional information.
Alpine, a division of ITW Building Components Group Inc. shall not be responsible for any deviation from this drawing, any failure to build the truss in conformance with ANSI/TPI 1, or for handling, shipping, installation and bracing of trusses. A seal on this drawing or cover page listing this drawing, indicates acceptance of professional engineering responsibility solely for the design shown. The suitability and use of this drawing for any structure is the responsibility of the Building Designer per ANSI/TPI 1 Sec.2.
For more information see these web sites: Alpine: alpineitw.com; TPI: tpinst.org; SBCA: sbccomponents.com; ICC: iccsafe.org; AWC: awc.org





Loading Criteria (psf) TCCL: 20.00 TCCL: 10.00 BCLL: 0.00 BCDL: 10.00 Des Ld: 40.00 NCBCLL: 10.00 Soffit: 2.00 Load Duration: 1.25 Spacing: 24.0 "	Wind Criteria Wind Std: ASCE 7-22 Speed: 130 mph Enclosure: Enclosed Risk Category: II EXP: C Kzt: NA Mean Height: 15.00 ft TCCL: 5.0 psf BCDL: 5.0 psf MWFRS Parallel Dist: h/2 to h C&C Dist a: 3.41 ft Loc. from endwall: not in 9.00 ft GCp: 0.18 Wind Duration: 1.60	Snow Criteria (Pg,Pf in PSF) Pg: NA Ct: NA CAT: NA Pf: NA Ce: NA Lu: NA Cs: NA Snow Duration: NA Building Code: FBC 8th Ed. 2023 Res. TPI Std: 2014 Rep Fac: Yes FT/RT:20(0)/10(0) Plate Type(s): WAVE	Defl/CSI Criteria PP Deflection in loc L/defl L/# VERT(LL): 0.239 H 999 360 VERT(CL): 0.481 H 850 240 HORZ(LL): 0.129 M - - HORZ(TL): 0.260 M - - Creep Factor: 2.0 Max TC CSI: 0.480 Max BC CSI: 0.844 Max Web CSI: 0.906 VIEW Ver: 24.02.00D.0114.10	▲ Maximum Reactions (lbs) Gravity Non-Gravity Loc R+ / R- / Rh / Rw / U / RL B 1511 - / - / /796 /283 /106 M 1511 - / - /796 /283 - Wind reactions based on MWFRS B Brg Wid = 3.5 Min Req = 1.8 (Truss) M Brg Wid = 3.5 Min Req = 1.8 (Truss) Bearings B & M are a rigid surface. Members not listed have forces less than 375# Maximum Top Chord Forces Per Ply (lbs) Chords Tens.Comp. Chords Tens. Comp.					
				Lumber Top chord: 2x4 SP #2; T1 2x4 SP M-31; Bot chord: 2x4 SP #2; B2 2x4 SP M-31; Webs: 2x4 SP #3; Lt Slider: 2x4 SP #3; block length = 1.339' Rt Slider: 2x4 SP #3; block length = 1.500'	B - C 629 -1164 H - I 1449 -3133 C - D 1303 -3273 I - J 1197 -2479 D - E 1164 -2667 J - K 1029 -2304 E - F 1103 -2399 K - L 997 -2484 F - G 1456 -3151 L - M 992 -2525 G - H 1456 -3151				

Plating Notes
 All plates are 2X4 except as noted.
 (**) 1 plate(s) require special positioning. Refer to scaled plate plot details for special positioning requirements.

Wind
 Wind loads based on MWFRS with additional C&C member design.
 Wind loading based on both gable and hip roof types.

Additional Notes
 The overall height of this truss excluding overhang is 4-10-1.
 Note: Laterally brace bottom chord above filler at 20' O.C.Max. including a lateral brace at chord ends.

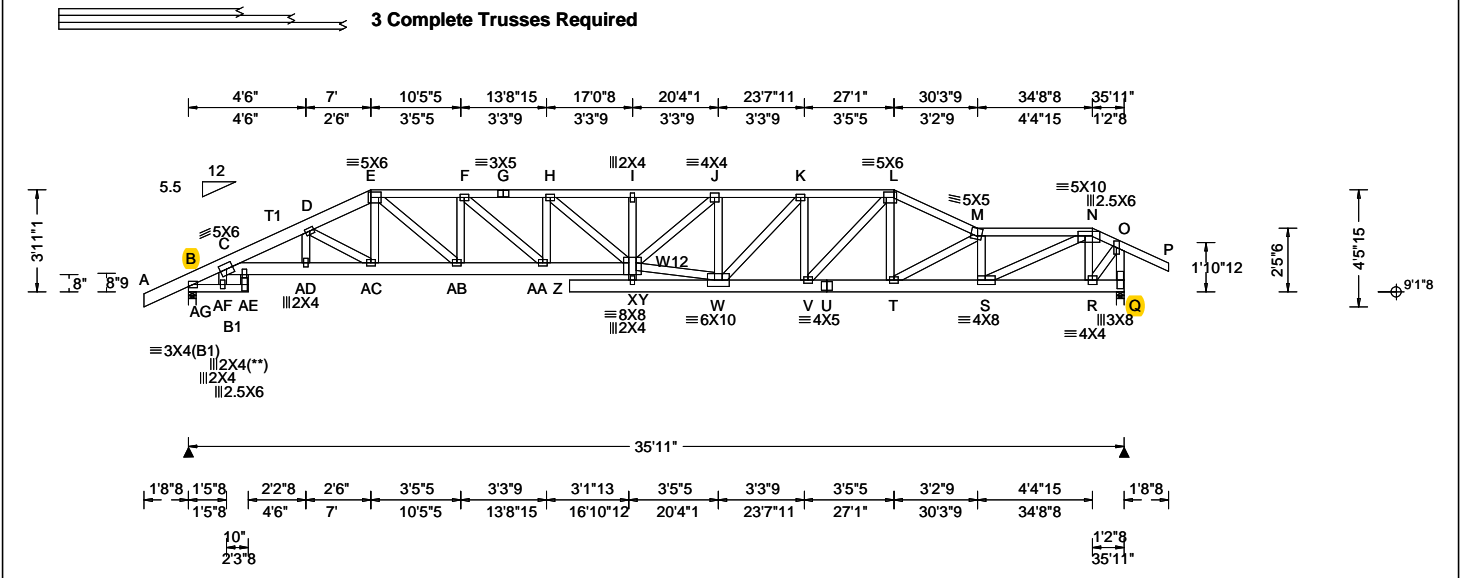
Maximum Bot Chord Forces Per Ply (lbs) Chords Tens.Comp. Chords Tens. Comp.			
C-AA	2835 -1070	U - S	2808 -1119
AA-Y	2967 -1124	R - Q	2046 -777
Y - X	2961 -1125	Q - P	2046 -777
X - W	2961 -1125	P - O	2184 -817
W - U	2901 -1191	O - M	2187 -816
Maximum Web Forces Per Ply (lbs) Webs Tens.Comp. Webs Tens. Comp.			
D - W	261 -676	S - I	876 -354
E - W	881 -318	S - R	2377 -922
W - F	442 -716	I - R	470 -859
F - S	512 -121	R - J	647 -367



COA #0278
 01/03/2026
 Florida Certificate of Product Approval #FL 1999

****WARNING** READ AND FOLLOW ALL NOTES ON THIS DRAWING!**
****IMPORTANT** FURNISH THIS DRAWING TO ALL CONTRACTORS INCLUDING THE INSTALLERS**
 Trusses require extreme care in fabricating, handling, shipping, installing and bracing. Refer to and follow the latest edition of BCSI (Building Component Safety Information, by TPI and SBCA) for safety practices prior to performing these functions. Installers shall provide temporary bracing per BCSI. Unless noted otherwise, top chord shall have properly attached structural sheathing and bottom chord shall have a properly attached rigid ceiling. Locations shown for permanent lateral restraint of webs shall have continuous lateral restraint (CLR), installed with diagonal bracing installed on the CLR per BCSI sections B3, B7, or B10, as applicable. Apply plates to each face of truss and position as shown above and on the Joint Details, unless noted otherwise. Refer to drawings 160A-Z for standard plate positions. Refer to job's General Notes page for additional information.
 Alpine, a division of ITW Building Components Group Inc. shall not be responsible for any deviation from this drawing, any failure to build the truss in conformance with ANSI/TPI 1, or for handling, shipping, installation and bracing of trusses. A seal on this drawing or cover page listing this drawing, indicates acceptance of professional engineering responsibility solely for the design shown. The suitability and use of this drawing for any structure is the responsibility of the Building Designer per ANSI/TPI 1 Sec.2.
 For more information see these web sites: Alpine: alpineitw.com; TPI: tpinst.org; SBCA: sbccomponents.com; ICC: iccsafe.org; AWC: awc.org





Loading Criteria (psf) TCCL: 20.00 TCCL: 10.00 BCLL: 0.00 BCDL: 10.00 Des Ld: 40.00 NCBCLL: 0.00 Soffit: 2.00 Load Duration: 1.25 Spacing: 24.0 "	Wind Criteria Wind Std: ASCE 7-22 Speed: 130 mph Enclosure: Enclosed Risk Category: II EXP: C Kzt: NA Mean Height: 15.00 ft TCCL: 5.0 psf BCDL: 5.0 psf MWFRS Parallel Dist: 0 to h/2 C&C Dist a: 3.59 ft Loc. from endwall: not in 4.50 ft GCcp: 0.18 Wind Duration: 1.60	Snow Criteria (Pg,Pf in PSF) Pg: NA Ct: NA CAT: NA Pf: NA Ce: NA Lu: NA Cs: NA Snow Duration: NA Building Code: FBC 8th Ed. 2023 Res. TPI Std: 2014 Rep Fac: Yes FT/RT:20(0)/10(0) Plate Type(s): WAVE	Defl/CSI Criteria PP Deflection in loc L/defl L/# VERT(LL): 0.365 Z 999 360 VERT(CL): 0.728 Z 590 240 HORZ(LL): 0.112 Q - - HORZ(TL): 0.223 Q - - Creep Factor: 2.0 Max TC CSI: 0.389 Max BC CSI: 0.614 Max Web CSI: 0.865 VIEW Ver: 24.02.00D.0114.10	▲ Maximum Reactions (lbs) Gravity Non-Gravity Loc R+ /R- /Rh /Rw /U /RL B 3533 -/- /- /- /772 -/ Q 3848 -/- /- /- /726 -/ Wind reactions based on MWFRS B Brg Wid = 3.5 Min Req = 1.5 (Truss) Q Brg Wid = 3.5 Min Req = 1.5 (Truss) Bearings B & Q are a rigid surface. Members not listed have forces less than 375# Maximum Top Chord Forces Per Ply (lbs) Chords Tens.Comp. Chords Tens. Comp.					
				B - C 83 -387 I - J 908 -4275 C - D 637 -2960 J - K 679 -3180 D - E 618 -2851 K - L 617 -2937 E - F 698 -3225 L - M 554 -2698 F - G 801 -3704 M - N 548 -2812 G - H 801 -3704 N - O 153 -870 H - I 915 -4307					

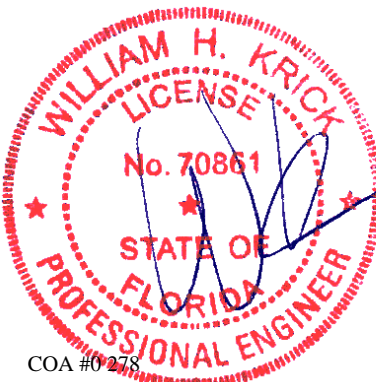
Lumber
 Top chord: 2x4 SP #2; T1 2x6 SP 2400f-2.0E;
 Bot chord: 2x6 SP #2; B1 2x4 SP #2;
 Webs: 2x4 SP #3; W12 2x4 SP #2;

Nailnote
 Nail Schedule: 0.128"x3", min. nails
 Top Chord: 1 Row @12.00" o.c.
 Bot Chord: 1 Row @12.00" o.c.
 Webs : 1 Row @ 4" o.c.
 Repeat nailing as each layer is applied. Use equal spacing between rows and stagger nails in each row to avoid splitting.

Plating Notes
 All plates are 3X4 except as noted.
 (**) 1 plate(s) require special positioning. Refer to scaled plate plot details for special positioning requirements.

Wind
 Wind loads and reactions based on MWFRS.
 Right end vertical not exposed to wind pressure.
 Wind loading based on both gable and hip roof types.

Additional Notes
 The overall height of this truss including overhang is 3-11-1.
 Note: Laterally brace bottom chord above filler at 20" O.C.Max. including a lateral brace at chord ends.



COA #0 278
 Florida State of Product Approval #FL 1999
 04/02/2026

Maximum Bot Chord Forces Per Ply (lbs)

Chords	Tens.Comp.	Chords	Tens. Comp.
C -AF	2788 -596	W - V	2969 -628
AF-AD	2809 -601	V - U	2453 -502
AD-AC	2814 -603	U - T	2453 -502
AC-AB	2557 -553	T - S	2929 -576
AB-AA	3274 -712	S - R	782 -136
AA - X	3773 -818		

Maximum Web Forces Per Ply (lbs)

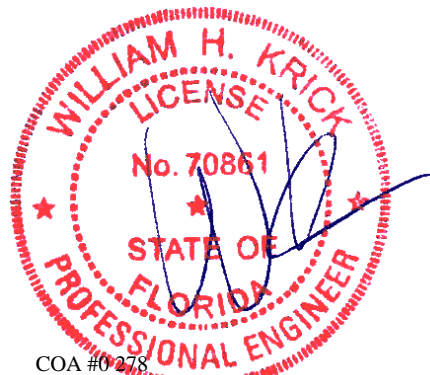
Webs	Tens.Comp.	Webs	Tens. Comp.
AG - C	135 -598	K - V	135 -390
E -AC	477 -70	V - L	710 -168
E -AB	877 -189	L - T	534 -84
AB - F	144 -506	T - M	87 -567
F -AA	595 -124	M - S	195 -836
AA - H	150 -607	S - N	2272 -462
H - X	709 -130	N - R	151 -692
X - J	1376 -286	R - O	1244 -216
X - W	3169 -677	O - Q	254 -1390
J - W	251 -1035		

****WARNING** READ AND FOLLOW ALL NOTES ON THIS DRAWING!**
****IMPORTANT** FURNISH THIS DRAWING TO ALL CONTRACTORS INCLUDING THE INSTALLERS**
 Trusses require extreme care in fabricating, handling, shipping, installing and bracing. Refer to and follow the latest edition of BCSI (Building Component Safety Information, by TPI and SBCA) for safety practices prior to performing these functions. Installers shall provide temporary bracing per BCSI. Unless noted otherwise, top chord shall have properly attached structural sheathing and bottom chord shall have a properly attached rigid ceiling. Locations shown for permanent lateral restraint of webs shall have continuous lateral restraint (CLR), installed with diagonal bracing installed on the CLR per BCSI sections B3, B7, or B10, as applicable. Apply plates to each face of truss and position as shown above and on the Joint Details, unless noted otherwise. Refer to drawings 160A-Z for standard plate positions. Refer to job's General Notes page for additional information.
 Alpine, a division of ITW Building Components Group Inc. shall not be responsible for any deviation from this drawing, any failure to build the truss in conformance with ANSI/TPI 1, or for handling, shipping, installation and bracing of trusses. A seal on this drawing or cover page listing this drawing, indicates acceptance of professional engineering responsibility solely for the design shown. The suitability and use of this drawing for any structure is the responsibility of the Building Designer per ANSI/TPI 1 Sec.2.
 For more information see these web sites: Alpine: alpineitw.com; TPI: tpinst.org; SBCA: sbcacomponents.com; ICC: iccsafe.org; AWC: awc.org



Special Loads

----- (Lumber Dur.Fac.=1.25 / Plate Dur.Fac.=1.25)
 TC: From 62 plf at -1.71 to 62 plf at 7.00
 TC: From 31 plf at 7.00 to 31 plf at 34.71
 TC: From 62 plf at 34.71 to 62 plf at 37.62
 BC: From 4 plf at -1.71 to 4 plf at 0.00
 BC: From 20 plf at 0.00 to 20 plf at 7.03
 BC: From 10 plf at 7.03 to 10 plf at 35.92
 BC: From 4 plf at 35.92 to 4 plf at 37.62
 TC: 211 lb Conc. Load at 7.03
 TC: 189 lb Conc. Load at 9.06,11.06,13.06
 TC: 192 lb Conc. Load at 15.06,17.06,19.06,21.06
 23.06,24.40
 TC: -7 lb Conc. Load at 33.85
 TC: -5 lb Conc. Load at 34.71
 BC: 530 lb Conc. Load at 7.03
 BC: 132 lb Conc. Load at 9.06,11.06,13.06,15.06
 17.06,19.06,21.06,23.06,24.40
 BC: 312 lb Conc. Load at 25.56
 BC: 409 lb Conc. Load at 28.56
 BC: 273 lb Conc. Load at 29.90,31.52
 BC: 399 lb Conc. Load at 32.85
 BC: 24 lb Conc. Load at 33.85
 BC: 33 lb Conc. Load at 34.71

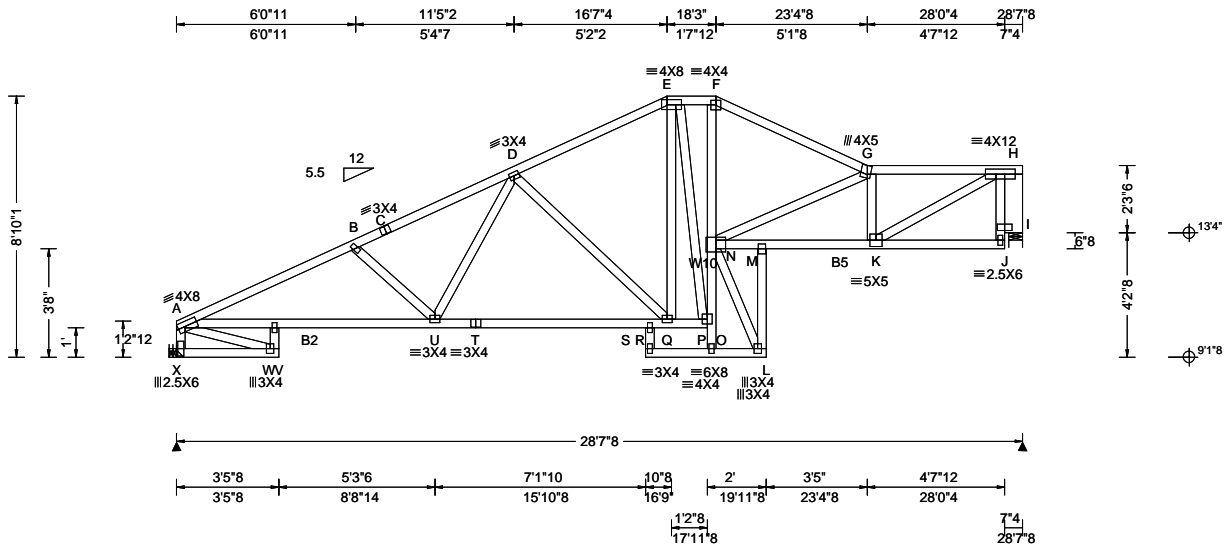


COA #0218

04/02/2026
 Florida Certificate of Product Approval #FL 1999

****WARNING** READ AND FOLLOW ALL NOTES ON THIS DRAWING!**
****IMPORTANT** FURNISH THIS DRAWING TO ALL CONTRACTORS INCLUDING THE INSTALLERS**
 Trusses require extreme care in fabricating, handling, shipping, installing and bracing. Refer to and follow the latest edition of BCSI (Building Component Safety Information, by TPI and SBCA) for safety practices prior to performing these functions. Installers shall provide temporary bracing per BCSI. Unless noted otherwise, top chord shall have properly attached structural sheathing and bottom chord shall have a properly attached rigid ceiling. Locations shown for permanent lateral restraint of webs shall have continuous lateral restraint (CLR), installed with diagonal bracing installed on the CLR per BCSI sections B3, B7, or B10, as applicable. Apply plates to each face of truss and position as shown above and on the Joint Details, unless noted otherwise. Refer to drawings 160A-Z for standard plate positions. Refer to job's General Notes page for additional information.
 Alpine, a division of ITW Building Components Group Inc. shall not be responsible for any deviation from this drawing, any failure to build the truss in conformance with ANSI/TPI 1, or for handling, shipping, installation and bracing of trusses. A seal on this drawing or cover page listing this drawing, indicates acceptance of professional engineering responsibility solely for the design shown. The suitability and use of this drawing for any structure is the responsibility of the Building Designer per ANSI/TPI 1 Sec.2.
 For more information see these web sites: Alpine: alpineitw.com; TPI: tpinst.org; SBCA: sbcacomponents.com; ICC: iccsafe.org; AWC: awc.org





Loading Criteria (psf)	
TCLL:	20.00
TCDL:	10.00
BCLL:	0.00
BCDL:	10.00
Des Ld:	40.00
NCBCLL:	10.00
Soffit:	2.00
Load Duration:	1.25
Spacing:	24.0 "

Wind Criteria	
Wind Std:	ASCE 7-22
Speed:	130 mph
Enclosure:	Enclosed
Risk Category:	II
EXP:	C Kzt: NA
Mean Height:	15.00 ft
TCDL:	5.0 psf
BCDL:	5.0 psf
MWFRS Parallel Dist:	h to 2h
C&C Dist a:	3.00 ft
Loc. from endwall:	not in 9.00 ft
GCp:	0.18
Wind Duration:	1.60

Snow Criteria (Pg,Pf in PSF)	
Pg:	NA Ct: NA CAT: NA
Pf:	NA Ce: NA
Lu:	NA Cs: NA
Snow Duration:	NA
Building Code:	
FBC 8th Ed. 2023 Res.	
TPI Std: 2014	
Rep Fac: Yes	
FT/RT:20(0)/10(0)	
Plate Type(s):	
WAVE	

Defl/CSI Criteria	
PP Deflection in loc L/defl L/#	
VERT(LL):	0.504 L 673 360
VERT(CL):	1.010 L 335 240
HORZ(LL):	0.335 J - -
HORZ(TL):	0.680 J - -
Creep Factor:	2.0
Max TC CSI:	0.718
Max BC CSI:	0.960
Max Web CSI:	0.816
VIEW Ver: 24.02.00D.0114.10	

Maximum Reactions (lbs)					
Gravity			Non-Gravity		
Loc	R+ / R-	/ Rh	/ Rw	/ U	/ RL
X	1159	- / -	700	43	195
I	1164	- / -	630	126	-
Wind reactions based on MWFRS					
X	Brg Wid = -		Min Req = -		
I	Brg Wid = 5.5		Min Req = 1.5 (Support)		
Bearing I is a rigid surface.					
Members not listed have forces less than 375#					
Maximum Top Chord Forces Per Ply (lbs)					
Chords		Tens.Comp.		Chords Tens. Comp.	
A - B	627	-2353	E - F	443	-1072
B - C	558	-2060	F - G	499	-1406
C - D	578	-2033	G - H	690	-1962
D - E	441	-1257			

Lumber

Top chord: 2x4 SP #2;
 Bot chord: 2x4 SP #2; B2,B5 2x4 SP M-31;
 Webs: 2x4 SP #3; W10 2x4 SP M-31;
 Rt Bearing Leg: 2x8 SP 2400f-2.0E;

Plating Notes

All plates are 2X4 except as noted.

Hangers / Ties

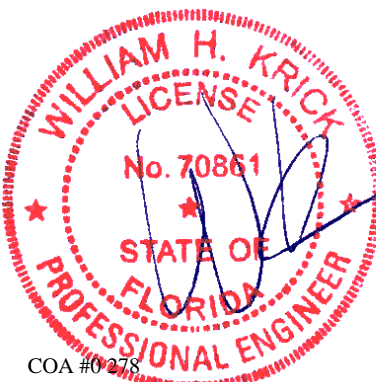
Hanger Support Required, by others

Wind

Wind loads based on MWFRS with additional C&C member design.
 End verticals not exposed to wind pressure.
 Wind loading based on both gable and hip roof types.

Additional Notes

The overall height of this truss excluding overhang is 8-10-1.
 Note: Laterally brace bottom chord above filler at 20' O.C.Max. including a lateral brace at chord ends.

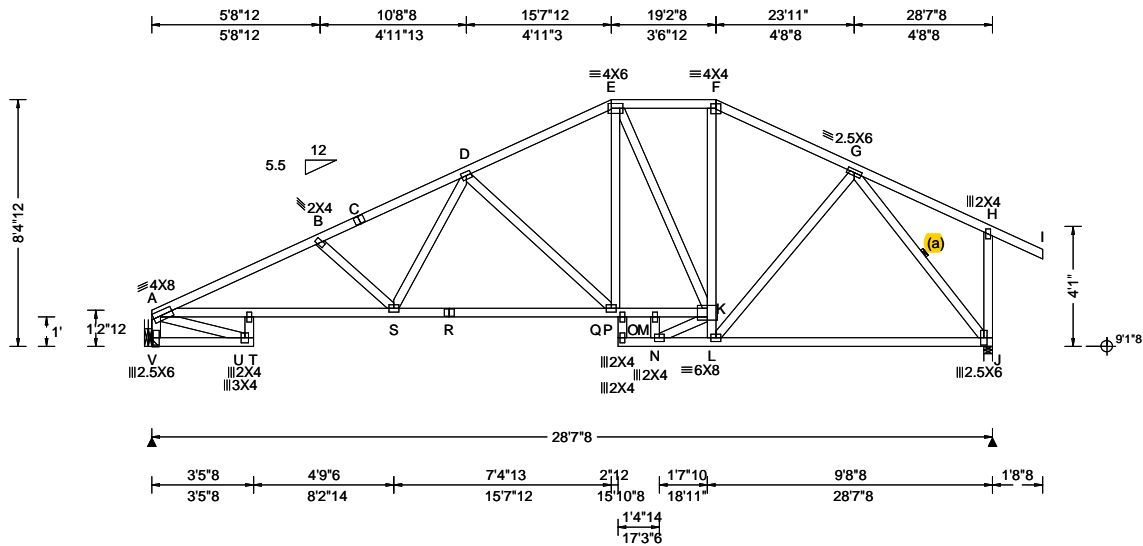


COA #0278
 Florida Certificate of Product Approval #FL 1999

Maximum Bot Chord Forces Per Ply (lbs)					
Chords		Tens.Comp.		Chords Tens. Comp.	
A - W	2055	-724	Q - O	1122	-362
W - U	2080	-727	P - L	528	-180
U - T	1562	-537	N - M	2044	-730
T - R	1562	-537	M - K	2020	-721
R - Q	1600	-538			
Maximum Web Forces Per Ply (lbs)					
Webs		Tens.Comp.		Webs Tens. Comp.	
A - X	280	-1125	N - G	378	-903
B - U	217	-382	O - P	418	-76
U - D	555	-105	M - L	946	-325
D - Q	254	-679	G - K	270	-506
N - O	629	-177	K - H	2104	-709
N - F	458	-139	H - I	667	-1360
N - L	430	-1258			

****WARNING** READ AND FOLLOW ALL NOTES ON THIS DRAWING!**
****IMPORTANT** FURNISH THIS DRAWING TO ALL CONTRACTORS INCLUDING THE INSTALLERS**
 Trusses require extreme care in fabricating, handling, shipping, installing and bracing. Refer to and follow the latest edition of BCSI (Building Component Safety Information, by TPI and SBCA) for safety practices prior to performing these functions. Installers shall provide temporary bracing per BCSI. Unless noted otherwise, top chord shall have properly attached structural sheathing and bottom chord shall have a properly attached rigid ceiling. Locations shown for permanent lateral restraint of webs shall have continuous lateral restraint (CLR), installed with diagonal bracing installed on the CLR per BCSI sections B3, B7, or B10, as applicable. Apply plates to each face of truss and position as shown above and on the Joint Details, unless noted otherwise. Refer to drawings 160A-Z for standard plate positions. Refer to job's General Notes page for additional information.
 Alpine, a division of ITW Building Components Group Inc. shall not be responsible for any deviation from this drawing, any failure to build the truss in conformance with ANSI/TPI 1, or for handling, shipping, installation and bracing of trusses. A seal on this drawing or cover page listing this drawing, indicates acceptance of professional engineering responsibility solely for the design shown. The suitability and use of this drawing for any structure is the responsibility of the Building Designer per ANSI/TPI 1 Sec.2.
 For more information see these web sites: Alpine: alpineitw.com; TPI: tpinst.org; SBCA: sbccomponents.com; ICC: iccsafe.org; AWC: awc.org





Loading Criteria (psf) TCLL: 20.00 TCDL: 10.00 BCLL: 0.00 BCDL: 10.00 Des Ld: 40.00 NCBCLL: 10.00 Soffit: 2.00 Load Duration: 1.25 Spacing: 24.0 "	Wind Criteria Wind Std: ASCE 7-22 Speed: 130 mph Enclosure: Enclosed Risk Category: II EXP: C Kzt: NA Mean Height: 15.00 ft TCDL: 5.0 psf BCDL: 5.0 psf MWFRS Parallel Dist: h to 2h C&C Dist a: 3.00 ft Loc. from endwall: not in 9.00 ft GCpi: 0.18 Wind Duration: 1.60	Snow Criteria (Pg,Pf in PSF) Pg: NA Ct: NA CAT: NA Pf: NA Ce: NA Lu: NA Cs: NA Snow Duration: NA Building Code: FBC 8th Ed. 2023 Res. TPI Std: 2014 Rep Fac: Yes FT/RT:20(0)/10(0) Plate Type(s): WAVE	Defl/CSI Criteria PP Deflection in loc L/defl L/# VERT(LL): 0.172 T 999 360 VERT(CL): 0.412 T 833 240 HORZ(LL): 0.100 J - - HORZ(TL): 0.202 J - - Creep Factor: 2.0 Max TC CSI: 0.660 Max BC CSI: 0.997 Max Web CSI: 0.650 VIEW Ver: 24.02.00D.0114.10	▲ Maximum Reactions (lbs) Gravity Loc R+ / R- / Rh / Rw / U / RL Non-Gravity V 1170 /- /- /694 /51 /264 J 1290 /- /- /645 /78 /- Wind reactions based on MWFRS V Brg Wid = - Min Req = - J Brg Wid = 3.5 Min Req = 1.5 (Truss) Bearing J is a rigid surface. Members not listed have forces less than 375# Maximum Top Chord Forces Per Ply (lbs) Chords Tens.Comp. Chords Tens. Comp. A - B 698 -2409 D - E 519 -1377 B - C 636 -2135 E - F 469 -946 C - D 653 -2099 F - G 467 -1101
--------------------------------------------------------------------------------------------------------------------------------------------------------------------------------------	-------------------------------------------------------------------------------------------------------------------------------------------------------------------------------------------------------------------------------------------------------------------------------------------------------------------------	----------------------------------------------------------------------------------------------------------------------------------------------------------------------------------------------------------------------------------------------------	-------------------------------------------------------------------------------------------------------------------------------------------------------------------------------------------------------------------------------------------------------------------------------------------------	--------------------------------------------------------------------------------------------------------------------------------------------------------------------------------------------------------------------------------------------------------------------------------------------------------------------------------------------------------------------------------------------------------------------------------------------------------------------------------------------------------------------------------------------------

Lumber

Top chord: 2x4 SP #2;
Bot chord: 2x4 SP #2;
Webs: 2x4 SP #3;

Reinforcement

(a) Continuous lateral restraint equally spaced on member.

Plating Notes

All plates are 3X4 except as noted.

Hangers / Ties

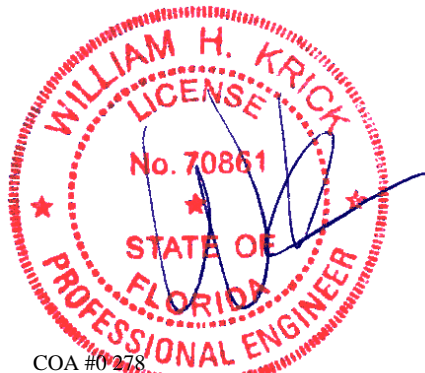
Hanger Support Required, by others

Wind

Wind loads based on MWFRS with additional C&C member design.
Left end vertical not exposed to wind pressure.
Right end vertical exposed to wind pressure.
Deflection meets L/360.
Wind loading based on both gable and hip roof types.

Additional Notes

The overall height of this truss excluding overhang is 8-4-12.
Note: Laterally brace bottom chord above filler at 2'0" O.C.Max. including a lateral brace at chord ends.



COA #0278

01/02/2026
Florida Certificate of Product Approval #FL 1999

Maximum Bot Chord Forces Per Ply (lbs)

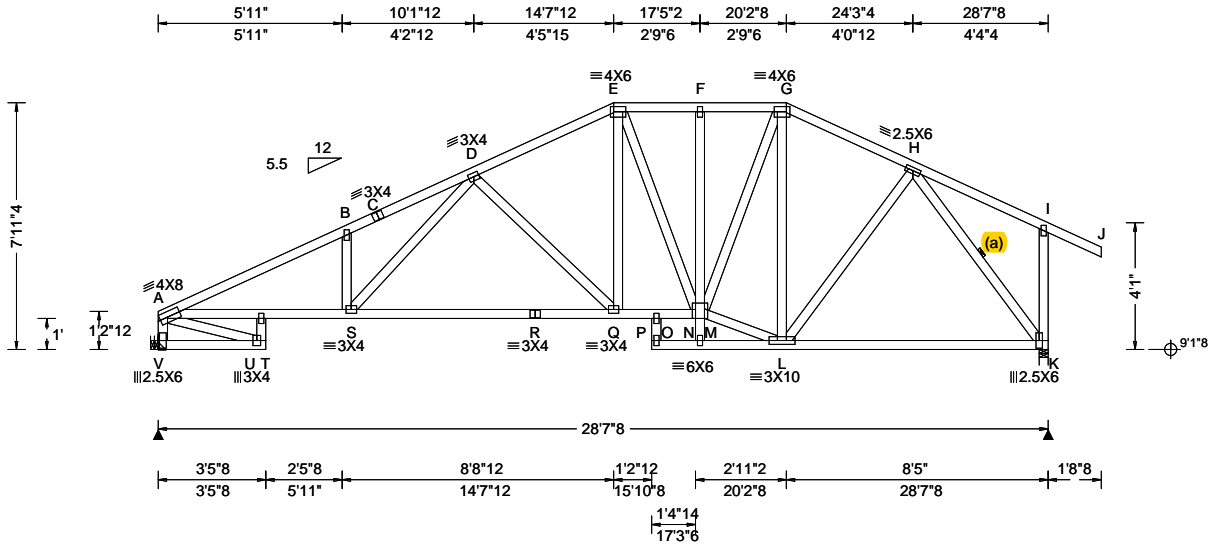
Chords	Tens.Comp.	Chords	Tens. Comp.
A - U	2103 -785	O - N	1165 -419
U - S	2134 -792	N - L	1136 -406
S - R	1653 -613	M - K	901 -308
R - Q	1653 -613	K - J	761 -305
Q - O	1189 -439		

Maximum Web Forces Per Ply (lbs)

Webs	Tens.Comp.	Webs	Tens. Comp.
A - V	326 -1137	E - L	237 -561
S - D	525 -95	M - L	310 -955
D - Q	241 -647	G - J	407 -1216
E - Q	770 -212		

****WARNING** READ AND FOLLOW ALL NOTES ON THIS DRAWING!**
****IMPORTANT** FURNISH THIS DRAWING TO ALL CONTRACTORS INCLUDING THE INSTALLERS**
Trusses require extreme care in fabricating, handling, shipping, installing and bracing. Refer to and follow the latest edition of BCSI (Building Component Safety Information, by TPI and SBCA) for safety practices prior to performing these functions. Installers shall provide temporary bracing per BCSI. Unless noted otherwise, top chord shall have properly attached structural sheathing and bottom chord shall have a properly attached rigid ceiling. Locations shown for permanent lateral restraint of webs shall have continuous lateral restraint (CLR), installed with diagonal bracing installed on the CLR per BCSI sections B3, B7, or B10, as applicable. Apply plates to each face of truss and position as shown above and on the Joint Details, unless noted otherwise. Refer to drawings 160A-Z for standard plate positions. Refer to job's General Notes page for additional information.
Alpine, a division of ITW Building Components Group Inc. shall not be responsible for any deviation from this drawing, any failure to build the truss in conformance with ANSI/TPI 1, or for handling, shipping, installation and bracing of trusses. A seal on this drawing or cover page listing this drawing, indicates acceptance of professional engineering responsibility solely for the design shown. The suitability and use of this drawing for any structure is the responsibility of the Building Designer per ANSI/TPI 1 Sec.2.
For more information see these web sites: Alpine: alpineitw.com; TPI: tpinst.org; SBCA: sbccomponents.com; ICC: iccsafe.org; AWC: awc.org





Loading Criteria (psf) TCLL: 20.00 TCDL: 10.00 BCLL: 0.00 BCDL: 10.00 Des Ld: 40.00 NCBCLL: 10.00 Soffit: 2.00 Load Duration: 1.25 Spacing: 24.0 "	Wind Criteria Wind Std: ASCE 7-22 Speed: 130 mph Enclosure: Enclosed Risk Category: II EXP: C Kzt: NA Mean Height: 15.00 ft TCDL: 5.0 psf BCDL: 5.0 psf MWFRS Parallel Dist: h to 2h C&C Dist a: 3.00 ft Loc. from endwall: not in 9.00 ft GCp: 0.18 Wind Duration: 1.60	Snow Criteria (Pg,Pf in PSF) Pg: NA Ct: NA CAT: NA Pf: NA Ce: NA Lu: NA Cs: NA Snow Duration: NA Building Code: FBC 8th Ed. 2023 Res. TPI Std: 2014 Rep Fac: Yes FT/RT:20(0)/10(0) Plate Type(s): WAVE	Defl/CSI Criteria PP Deflection in loc L/defl L/# VERT(LL): 0.096 D 999 360 VERT(CL): 0.194 D 999 240 HORZ(LL): 0.068 K - - HORZ(TL): 0.138 K - - Creep Factor: 2.0 Max TC CSI: 0.755 Max BC CSI: 0.787 Max Web CSI: 0.527 VIEW Ver: 24.02.00D.0114.10	▲ Maximum Reactions (lbs) Gravity Non-Gravity Loc R+ / R- / Rh / Rw / U / RL V 1170 - / - / - / 694 / 64 / 253 K 1290 - / - / - / 643 / 97 / - Wind reactions based on MWFRS V Brg Wid = - Min Req = - K Brg Wid = 3.5 Min Req = 1.5 (Truss) Bearing K is a rigid surface. Members not listed have forces less than 375# Maximum Top Chord Forces Per Ply (lbs) Chords Tens.Comp. Chords Tens. Comp. A - B 756 -2455 E - F 577 -1215 B - C 824 -2417 F - G 576 -1212 C - D 838 -2390 G - H 511 -1084 D - E 588 -1468
--------------------------------------------------------------------------------------------------------------------------------------------------------------------------------------	------------------------------------------------------------------------------------------------------------------------------------------------------------------------------------------------------------------------------------------------------------------------------------------------------------------------	----------------------------------------------------------------------------------------------------------------------------------------------------------------------------------------------------------------------------------------------------	-------------------------------------------------------------------------------------------------------------------------------------------------------------------------------------------------------------------------------------------------------------------------------------------------	---------------------------------------------------------------------------------------------------------------------------------------------------------------------------------------------------------------------------------------------------------------------------------------------------------------------------------------------------------------------------------------------------------------------------------------------------------------------------------------------------------------------------------------------------------------------------------

Lumber

Top chord: 2x4 SP #2;
Bot chord: 2x4 SP #2;
Webs: 2x4 SP #3;

Reinforcement

(a) Continuous lateral restraint equally spaced on member.

Plating Notes

All plates are 2X4 except as noted.

Hangers / Ties

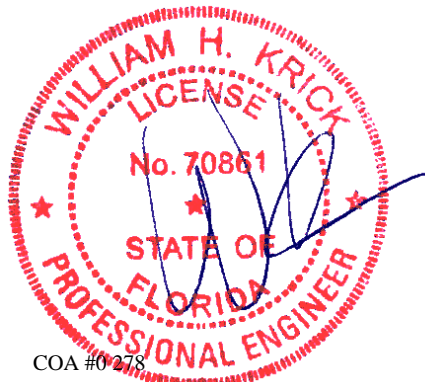
Hanger Support Required, by others

Wind

Wind loads based on MWFRS with additional C&C member design.
Left end vertical not exposed to wind pressure.
Right end vertical exposed to wind pressure.
Deflection meets L/360.
Wind loading based on both gable and hip roof types.

Additional Notes

The overall height of this truss excluding overhang is 7-11-4.
Note: Laterally brace bottom chord above filler at 2'0" O.C.Max. including a lateral brace at chord ends.

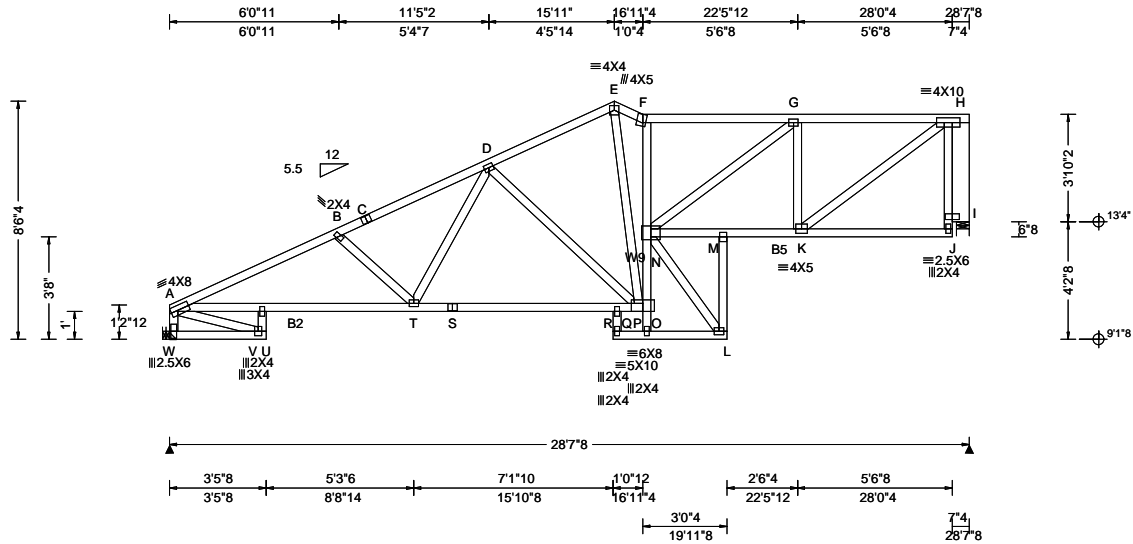


COA #0278

Florida Certificate of Product Approval #FL 1999

****WARNING** READ AND FOLLOW ALL NOTES ON THIS DRAWING!**
****IMPORTANT** FURNISH THIS DRAWING TO ALL CONTRACTORS INCLUDING THE INSTALLERS**
Trusses require extreme care in fabricating, handling, shipping, installing and bracing. Refer to and follow the latest edition of BCSI (Building Component Safety Information, by TPI and SBCA) for safety practices prior to performing these functions. Installers shall provide temporary bracing per BCSI. Unless noted otherwise, top chord shall have properly attached structural sheathing and bottom chord shall have a properly attached rigid ceiling. Locations shown for permanent lateral restraint of webs shall have continuous lateral restraint (CLR), installed with diagonal bracing installed on the CLR per BCSI sections B3, B7, or B10, as applicable. Apply plates to each face of truss and position as shown above and on the Joint Details, unless noted otherwise. Refer to drawings 160A-Z for standard plate positions. Refer to job's General Notes page for additional information.
Alpine, a division of ITW Building Components Group Inc. shall not be responsible for any deviation from this drawing, any failure to build the truss in conformance with ANSI/TPI 1, or for handling, shipping, installation and bracing of trusses. A seal on this drawing or cover page listing this drawing, indicates acceptance of professional engineering responsibility solely for the design shown. The suitability and use of this drawing for any structure is the responsibility of the Building Designer per ANSI/TPI 1 Sec.2.
For more information see these web sites: Alpine: alpineitw.com; TPI: tpinst.org; SBCA: sbcacomponents.com; ICC: iccsafe.org; AWC: awc.org





Loading Criteria (psf)	
TCLL:	20.00
TCDL:	10.00
BCLL:	0.00
BCDL:	10.00
Des Ld:	40.00
NCBCLL:	10.00
Soffit:	2.00
Load Duration:	1.25
Spacing:	24.0 "

Wind Criteria	
Wind Std:	ASCE 7-22
Speed:	130 mph
Enclosure:	Enclosed
Risk Category:	II
EXP:	C Kzt: NA
Mean Height:	15.00 ft
TCDL:	5.0 psf
BCDL:	5.0 psf
MWFRS Parallel Dist:	h to 2h
C&C Dist a:	3.00 ft
Loc. from endwall:	not in 9.00 ft
GCp:	0.18
Wind Duration:	1.60

Snow Criteria (Pg,Pf in PSF)	
Pg:	NA Ct: NA CAT: NA
Pf:	NA Ce: NA
Lu:	NA Cs: NA
Snow Duration:	NA
Building Code:	
FBC 8th Ed. 2023 Res.	
TPI Std: 2014	
Rep Fac: Yes	
FT/RT:20(0)/10(0)	
Plate Type(s):	
WAVE	

Defl/CSI Criteria	
PP Deflection in	loc L/defl L/#
VERT(LL):	0.475 L 714 360
VERT(CL):	0.951 L 356 240
HORZ(LL):	0.267 J - -
HORZ(TL):	0.542 J - -
Creep Factor: 2.0	
Max TC CSI: 0.683	
Max BC CSI: 0.900	
Max Web CSI: 0.799	
VIEW Ver: 24.02.00D.0114.10	

▲ Maximum Reactions (lbs)					
Gravity			Non-Gravity		
Loc	R+ / R-	/ Rh	/ Rw	/ U	/ RL
W	1159 - / -	- / -	/714	/59	/188
I	1164 - / -	- / -	/654	/199	- / -
Wind reactions based on MWFRS					
W	Brg Wid = -	Min Req = -			
I	Brg Wid = 5.5	Min Req = 1.5 (Support)			
Bearing I is a rigid surface.					
Members not listed have forces less than 375#					
Maximum Top Chord Forces Per Ply (lbs)					
Chords	Tens.Comp.		Chords	Tens. Comp.	
A - B	700	-2353	E - F	557	-1250
B - C	629	-2058	F - G	572	-1315
C - D	649	-2031	G - H	689	-1436
D - E	489	-1235			

Lumber

Top chord: 2x4 SP #2;
 Bot chord: 2x4 SP #2; B2,B5 2x4 SP M-31;
 Webs: 2x4 SP #3; W9 2x4 SP M-31;
 Rt Bearing Leg: 2x8 SP 2400f-2.0E;

Plating Notes

All plates are 3X4 except as noted.

Hangers / Ties

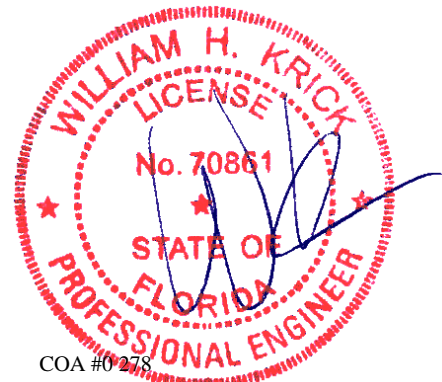
Hanger Support Required, by others

Wind

Wind loads based on MWFRS with additional C&C member design.
 End verticals not exposed to wind pressure.
 Wind loading based on both gable and hip roof types.

Additional Notes

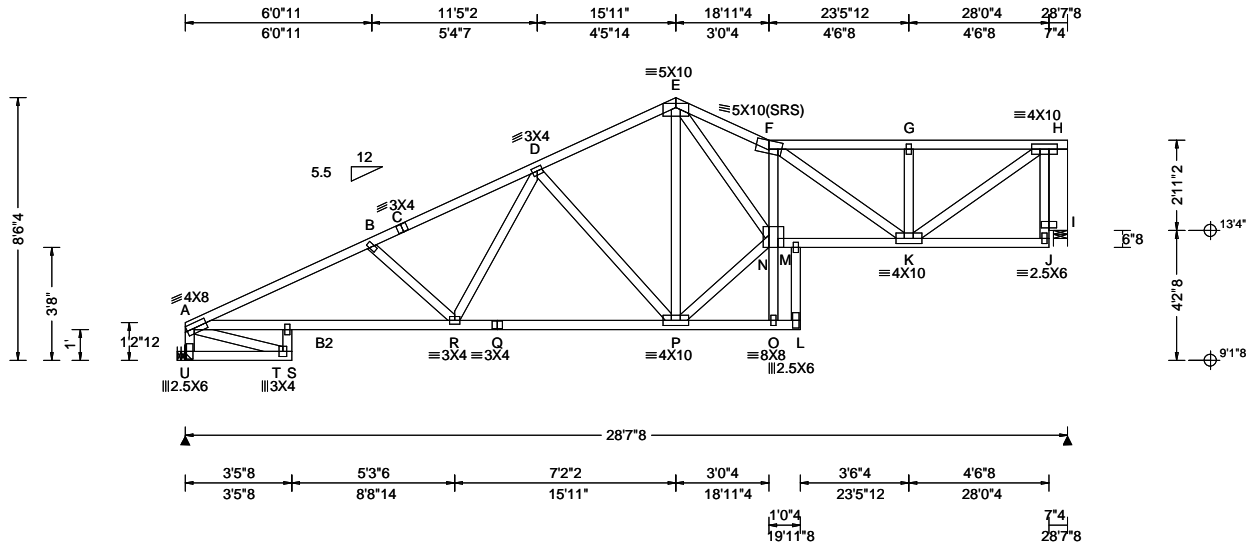
The overall height of this truss excluding overhang is 8-6-4.
 Note: Laterally brace bottom chord above filler at 20' O.C.Max. including a lateral brace at chord ends.



COA #0278
 01/02/2026
 Florida Certificate of Product Approval #FL 1999

****WARNING** READ AND FOLLOW ALL NOTES ON THIS DRAWING!**
****IMPORTANT** FURNISH THIS DRAWING TO ALL CONTRACTORS INCLUDING THE INSTALLERS**
 Trusses require extreme care in fabricating, handling, shipping, installing and bracing. Refer to and follow the latest edition of BCSI (Building Component Safety Information, by TPI and SBCA) for safety practices prior to performing these functions. Installers shall provide temporary bracing per BCSI. Unless noted otherwise, top chord shall have properly attached structural sheathing and bottom chord shall have a properly attached rigid ceiling. Locations shown for permanent lateral restraint of webs shall have continuous lateral restraint (CLR), installed with diagonal bracing installed on the CLR per BCSI sections B3, B7, or B10, as applicable. Apply plates to each face of truss and position as shown above and on the Joint Details, unless noted otherwise. Refer to drawings 160A-Z for standard plate positions. Refer to job's General Notes page for additional information.
 Alpine, a division of ITW Building Components Group Inc. shall not be responsible for any deviation from this drawing, any failure to build the truss in conformance with ANSI/TPI 1, or for handling, shipping, installation and bracing of trusses. A seal on this drawing or cover page listing this drawing, indicates acceptance of professional engineering responsibility solely for the design shown. The suitability and use of this drawing for any structure is the responsibility of the Building Designer per ANSI/TPI 1 Sec.2.
 For more information see these web sites: Alpine: alpineitw.com; TPI: tpinst.org; SBCA: sbcacomponents.com; ICC: iccsafe.org; AWC: awc.org





Loading Criteria (psf) TCLL: 20.00 TCDL: 10.00 BCLL: 0.00 BCDL: 10.00 Des Ld: 40.00 NCBCLL: 10.00 Soffit: 2.00 Load Duration: 1.25 Spacing: 24.0 "	Wind Criteria Wind Std: ASCE 7-22 Speed: 130 mph Enclosure: Enclosed Risk Category: II EXP: C Kzt: NA Mean Height: 15.00 ft TCDL: 5.0 psf BCDL: 5.0 psf MWFRS Parallel Dist: h to 2h C&C Dist a: 3.00 ft Loc. from endwall: not in 9.00 ft GCp: 0.18 Wind Duration: 1.60	Snow Criteria (Pg,Pf in PSF) Pg: NA Ct: NA CAT: NA Pf: NA Ce: NA Lu: NA Cs: NA Snow Duration: NA Building Code: FBC 8th Ed. 2023 Res. TPI Std: 2014 Rep Fac: Yes FT/RT:20(0)/10(0) Plate Type(s): WAVE	Defl/CSI Criteria PP Deflection in loc L/defl L/# VERT(LL): 0.169 S 999 360 VERT(CL): 0.407 S 833 240 HORZ(LL): 0.105 J - - HORZ(TL): 0.212 J - - Creep Factor: 2.0 Max TC CSI: 0.691 Max BC CSI: 0.986 Max Web CSI: 0.812 VIEW Ver: 24.02.00D.0114.10	▲ Maximum Reactions (lbs) Gravity Loc R+ / R- / Rh / Rw / U / RL U 1159 - / - / /703 /48 /187 I 1164 - / - / /642 /170 - /- Wind reactions based on MWFRS U Brg Wid = - Min Req = - I Brg Wid = 5.5 Min Req = 1.5 (Support) Bearing I is a rigid surface. Members not listed have forces less than 375# Maximum Top Chord Forces Per Ply (lbs) Chords Tens.Comp. Chords Tens. Comp. A - B 667 -2353 E - F 1085 -2649 B - C 596 -2058 F - G 657 -1474 C - D 616 -2031 G - H 656 -1474 D - E 492 -1314 Maximum Bot Chord Forces Per Ply (lbs) Chords Tens.Comp. Chords Tens. Comp. A - T 2055 -781 Q - P 1559 -587 T - R 2080 -785 N - M 2389 -952 R - Q 1559 -587 M - K 2384 -954 Maximum Web Forces Per Ply (lbs) Webs Tens.Comp. Webs Tens. Comp. A - U 292 -1125 P - N 1510 -559 B - R 220 -387 F - N 417 -641 R - D 545 -115 F - K 363 -1149 D - P 244 -635 K - H 1655 -722 E - N 2133 -929 H - I 738 -1280
--------------------------------------------------------------------------------------------------------------------------------------------------------------------------------------	------------------------------------------------------------------------------------------------------------------------------------------------------------------------------------------------------------------------------------------------------------------------------------------------------------------------	----------------------------------------------------------------------------------------------------------------------------------------------------------------------------------------------------------------------------------------------------	-------------------------------------------------------------------------------------------------------------------------------------------------------------------------------------------------------------------------------------------------------------------------------------------------	-------------------------------------------------------------------------------------------------------------------------------------------------------------------------------------------------------------------------------------------------------------------------------------------------------------------------------------------------------------------------------------------------------------------------------------------------------------------------------------------------------------------------------------------------------------------------------------------------------------------------------------------------------------------------------------------------------------------------------------------------------------------------------------------------------------------------------------------------------------------------------------------------------------------------------------------------------------------------------------------------------------------------------------

Lumber
Top chord: 2x4 SP #2;
Bot chord: 2x4 SP #2; B2 2x4 SP M-31;
Webs: 2x4 SP #3;
Rt Bearing Leg: 2x8 SP 2400f-2.0E;

Plating Notes
All plates are 2X4 except as noted.

Hangers / Ties
Hanger Support Required, by others

Wind
Wind loads based on MWFRS with additional C&C member design.
End verticals not exposed to wind pressure.
Wind loading based on both gable and hip roof types.

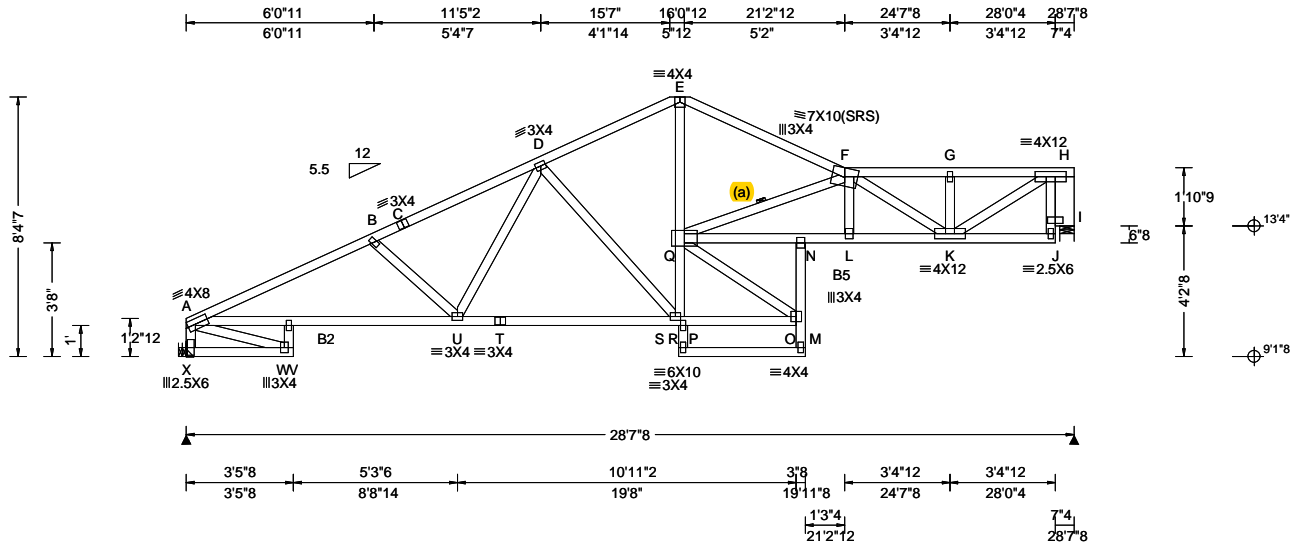
Additional Notes
The overall height of this truss excluding overhang is 8-6-4.
Note: Laterally brace bottom chord above filler at 20" O.C.Max. including a lateral brace at chord ends.



COA #0278
04/02/2026
Florida Certificate of Product Approval #FL 1999

****WARNING** READ AND FOLLOW ALL NOTES ON THIS DRAWING!**
****IMPORTANT** FURNISH THIS DRAWING TO ALL CONTRACTORS INCLUDING THE INSTALLERS**
Trusses require extreme care in fabricating, handling, shipping, installing and bracing. Refer to and follow the latest edition of BCSI (Building Component Safety Information, by TPI and SBCA) for safety practices prior to performing these functions. Installers shall provide temporary bracing per BCSI. Unless noted otherwise, top chord shall have properly attached structural sheathing and bottom chord shall have a properly attached rigid ceiling. Locations shown for permanent lateral restraint of webs shall have continuous lateral restraint (CLR), installed with diagonal bracing installed on the CLR per BCSI sections B3, B7, or B10, as applicable. Apply plates to each face of truss and position as shown above and on the Joint Details, unless noted otherwise. Refer to drawings 160A-Z for standard plate positions. Refer to job's General Notes page for additional information.
Alpine, a division of ITW Building Components Group Inc. shall not be responsible for any deviation from this drawing, any failure to build the truss in conformance with ANSI/TPI 1, or for handling, shipping, installation and bracing of trusses. A seal on this drawing or cover page listing this drawing, indicates acceptance of professional engineering responsibility solely for the design shown. The suitability and use of this drawing for any structure is the responsibility of the Building Designer per ANSI/TPI 1 Sec.2.
For more information see these web sites: Alpine: alpineitw.com; TPI: tpinst.org; SBCA: sbccomponents.com; ICC: iccsafe.org; AWC: awc.org





Loading Criteria (psf) TCLL: 20.00 TCDL: 10.00 BCLL: 0.00 BCDL: 10.00 Des Ld: 40.00 NCBCLL: 10.00 Soffit: 2.00 Load Duration: 1.25 Spacing: 24.0 "	Wind Criteria Wind Std: ASCE 7-22 Speed: 130 mph Enclosure: Enclosed Risk Category: II EXP: C Kzt: NA Mean Height: 15.00 ft TCDL: 5.0 psf BCDL: 5.0 psf MWFRS Parallel Dist: h to 2h C&C Dist a: 3.00 ft Loc. from endwall: not in 9.00 ft GCp: 0.18 Wind Duration: 1.60	Snow Criteria (Pg,Pf in PSF) Pg: NA Ct: NA CAT: NA Pf: NA Ce: NA Lu: NA Cs: NA Snow Duration: NA Building Code: FBC 8th Ed. 2023 Res. TPI Std: 2014 Rep Fac: Yes FT/RT:20(0)/10(0) Plate Type(s): WAVE	Defl/CSI Criteria PP Deflection in loc L/defl L/# VERT(LL): 0.274 M 999 360 VERT(CL): 0.548 M 619 240 HORZ(LL): 0.149 J - - HORZ(TL): 0.301 J - - Creep Factor: 2.0 Max TC CSI: 0.679 Max BC CSI: 0.715 Max Web CSI: 0.739 VIEW Ver: 24.02.00D.0114.10	▲ Maximum Reactions (lbs) Gravity Non-Gravity Loc R+ / R- / Rh / Rw / U / RL X 1159 /- /- /687 /38 /183 I 1164 /- /- /617 /131 /- Wind reactions based on MWFRS X Brg Wid = - Min Req = - I Brg Wid = 5.5 Min Req = 1.5 (Support) Bearing I is a rigid surface. Members not listed have forces less than 375# Maximum Top Chord Forces Per Ply (lbs) Chords Tens.Comp. Chords Tens. Comp. A - B 608 -2354 E - F 440 -1337 B - C 538 -2058 F - G 659 -1704 C - D 558 -2033 G - H 658 -1704 D - E 442 -1325
--------------------------------------------------------------------------------------------------------------------------------------------------------------------------------------	------------------------------------------------------------------------------------------------------------------------------------------------------------------------------------------------------------------------------------------------------------------------------------------------------------------------	----------------------------------------------------------------------------------------------------------------------------------------------------------------------------------------------------------------------------------------------------	-------------------------------------------------------------------------------------------------------------------------------------------------------------------------------------------------------------------------------------------------------------------------------------------------	----------------------------------------------------------------------------------------------------------------------------------------------------------------------------------------------------------------------------------------------------------------------------------------------------------------------------------------------------------------------------------------------------------------------------------------------------------------------------------------------------------------------------------------------------------------------

Lumber
Top chord: 2x4 SP #2;
Bot chord: 2x4 SP #2; B2,B5 2x4 SP M-31;
Webs: 2x4 SP #3;
Rt Bearing Leg: 2x8 SP 2400f-2.0E;

Reinforcement
(a) Continuous lateral restraint equally spaced on member.

Plating Notes
All plates are 2X4 except as noted.

Hangers / Ties
Hanger Support Required, by others

Wind
Wind loads based on MWFRS with additional C&C member design.
End verticals not exposed to wind pressure.
Wind loading based on both gable and hip roof types.

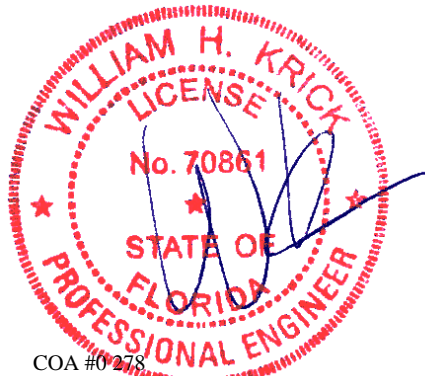
Additional Notes
The overall height of this truss excluding overhang is 8-4-7.
Note: Laterally brace bottom chord above filler at 2'0" O.C.Max. including a lateral brace at chord ends.

Maximum Bot Chord Forces Per Ply (lbs)

Chords	Tens.Comp.	Chords	Tens. Comp.
A - W	2057 -694	Q - N	3060 -1046
W - U	2081 -697	P - O	1116 -336
U - T	1556 -501	N - L	3062 -1045
T - S	1556 -501	L - K	3119 -1057
S - P	1105 -335		

Maximum Web Forces Per Ply (lbs)

Webs	Tens.Comp.	Webs	Tens. Comp.
A - X	273 -1125	Q - F	765 -2046
B - U	222 -390	N - O	750 -204
U - D	546 -110	F - L	832 -181
D - S	237 -635	F - K	472 -1668
S - Q	560 -107	K - H	1822 -689
E - Q	741 -212	H - I	616 -1242
Q - O	395 -1296		



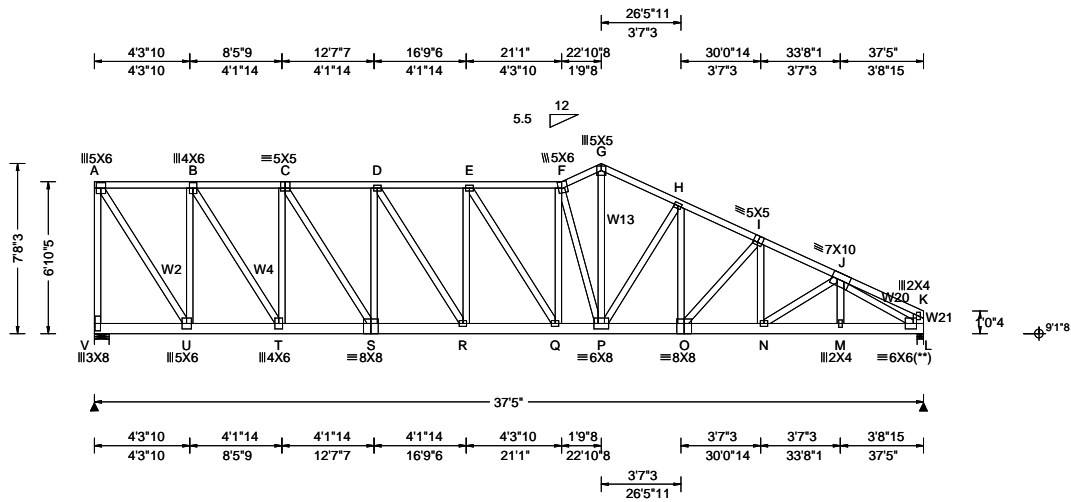
COA #0 278

01/02/2026 Florida Certificate of Product Approval #FL 1999

****WARNING** READ AND FOLLOW ALL NOTES ON THIS DRAWING!**
****IMPORTANT** FURNISH THIS DRAWING TO ALL CONTRACTORS INCLUDING THE INSTALLERS**
Trusses require extreme care in fabricating, handling, shipping, installing and bracing. Refer to and follow the latest edition of BCSI (Building Component Safety Information, by TPI and SBCA) for safety practices prior to performing these functions. Installers shall provide temporary bracing per BCSI. Unless noted otherwise, top chord shall have properly attached structural sheathing and bottom chord shall have a properly attached rigid ceiling. Locations shown for permanent lateral restraint of webs shall have continuous lateral restraint (CLR), installed with diagonal bracing installed on the CLR per BCSI sections B3, B7, or B10, as applicable. Apply plates to each face of truss and position as shown above and on the Joint Details, unless noted otherwise. Refer to drawings 160A-Z for standard plate positions. Refer to job's General Notes page for additional information.
Alpine, a division of ITW Building Components Group Inc. shall not be responsible for any deviation from this drawing, any failure to build the truss in conformance with ANSI/TPI 1, or for handling, shipping, installation and bracing of trusses. A seal on this drawing or cover page listing this drawing, indicates acceptance of professional engineering responsibility solely for the design shown. The suitability and use of this drawing for any structure is the responsibility of the Building Designer per ANSI/TPI 1 Sec.2.
For more information see these web sites: Alpine: alpineitw.com; TPI: tpinst.org; SBCA: sbcacomponents.com; ICC: iccsafe.org; AWC: awc.org



3 Complete Trusses Required



Loading Criteria (psf)	
TCLL:	20.00
TCDL:	10.00
BCLL:	0.00
BCDL:	10.00
Des Ld:	40.00
NCBCLL:	0.00
Soffit:	2.00
Load Duration:	1.25
Spacing:	24.0 "

Wind Criteria	
Wind Std:	ASCE 7-22
Speed:	130 mph
Enclosure:	Enclosed
Risk Category:	II
EXP:	C Kzt: NA
Mean Height:	15.00 ft
TCDL:	5.0 psf
BCDL:	5.0 psf
MWFRS Parallel Dist:	0 to h/2
C&C Dist a:	3.74 ft
Loc. from endwall:	not in 9.00 ft
GCpi:	0.18
Wind Duration:	1.60

Snow Criteria (Pg,Pf in PSF)	
Pg:	NA Ct: NA CAT: NA
Pf:	NA Ce: NA
Lu:	NA Cs: NA
Snow Duration:	NA
Building Code:	
FBC	8th Ed. 2023 Res.
TPI	Std: 2014
Rep	Fac: Yes
FT/RT:	20(0)/10(0)
Plate Type(s):	WAVE

Defl/CSI Criteria	
PP Deflection in	loc L/defl L/#
VERT(LL):	0.383 Q 999 360
VERT(CL):	0.399 Q 999 240
HORZ(LL):	0.115 A - -
HORZ(TL):	0.120 A - -
Creep Factor:	2.0
Max TC CSI:	0.302
Max BC CSI:	0.253
Max Web CSI:	0.724
VIEW Ver:	24.02.00D.0114.10

▲ Maximum Reactions (lbs)					
Gravity			Non-Gravity		
Loc	R+	/R-	/Rh	/Rw	/U /RL
V	6894	-/-	-/-	-/-	881 -/-
L	6940	-/-	-/-	-/-	670 -/-
Wind reactions based on MWFRS					
V	Brg Wid = 8.0	Min Req = 1.9 (Truss)			
L	Brg Wid = 3.5	Min Req = 1.9 (Truss)			
Bearings V & L are a rigid surface.					
Members not listed have forces less than 375#					
Maximum Top Chord Forces Per Ply (lbs)					
Chords	Tens.Comp.		Chords	Tens. Comp.	
A - B	175	-1391	F - G	358	-3248
B - C	299	-2422	G - H	364	-3278
C - D	378	-3114	H - I	385	-3670
D - E	411	-3481	I - J	397	-3938
E - F	388	-3431			

Lumber
 Top chord: 2x4 SP #2;
 Bot chord: 2x6 SP 2400f-2.0E;
 Webs: 2x4 SP #3; W2,W4,W13 2x4 SP #2;
 W20 2x4 SP M-31; W21 2x6 SP 2400f-2.0E;

Additional Notes
 The overall height of this truss excluding overhang is 7-8-3.

Nailnote
 Nail Schedule: 0.128"x3", min. nails
 Top Chord: 1 Row @ 12.00" o.c.
 Bot Chord: 1 Row @ 5.00" o.c.
 Webs : 1 Row @ 4" o.c.
 Repeat nailing as each layer is applied. Use equal spacing between rows and stagger nails in each row to avoid splitting.

Special Loads
 -----(Lumber Dur.Fac.=1.25 / Plate Dur.Fac.=1.25)
 TC: From 62 plf at 0.00 to 62 plf at 37.42
 BC: From 10 plf at 0.00 to 10 plf at 37.42
 BC: 619 lb Conc. Load at 2.06, 4.06, 6.06, 8.06
 10.06,12.06,14.06,16.06,17.56,19.56,21.56,23.56
 25.56,27.56,29.56,31.56,33.56,35.56

Plating Notes
 All plates are 3X4 except as noted.
 (**) 1 plate(s) require special positioning. Refer to scaled plate plot details for special positioning requirements.

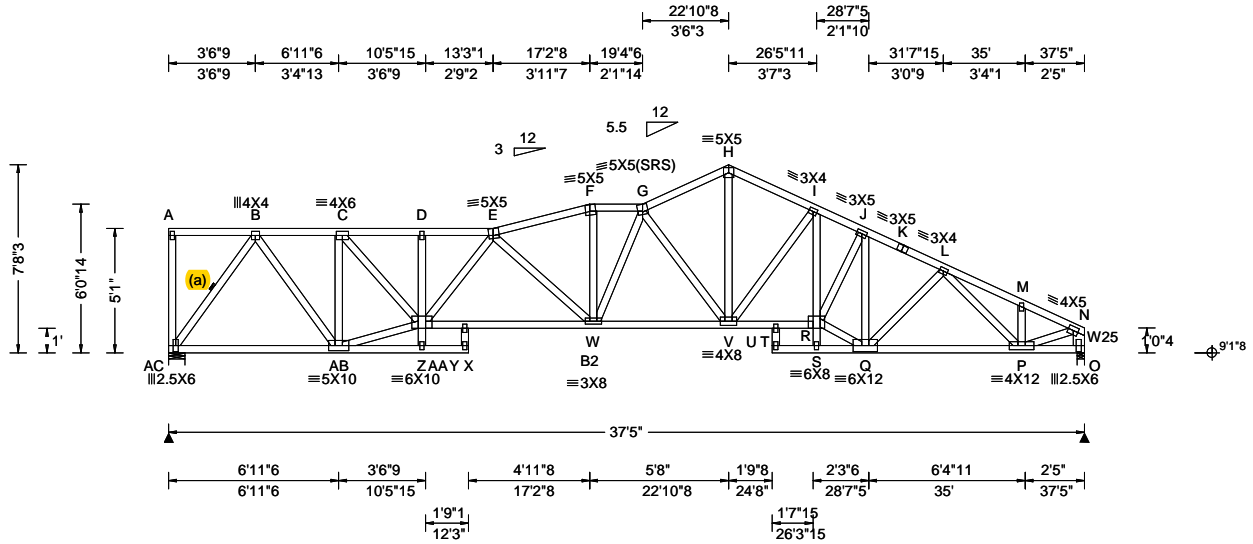
Wind
 Wind loads and reactions based on MWFRS.
 End verticals not exposed to wind pressure.
 Wind loading based on both gable and hip roof types.



COA #0278
 04/02/2026
 Florida Certificate of Product Approval #FL 1999

****WARNING** READ AND FOLLOW ALL NOTES ON THIS DRAWING!**
****IMPORTANT** FURNISH THIS DRAWING TO ALL CONTRACTORS INCLUDING THE INSTALLERS**
 Trusses require extreme care in fabricating, handling, shipping, installing and bracing. Refer to and follow the latest edition of BCSI (Building Component Safety Information, by TPI and SBCA) for safety practices prior to performing these functions. Installers shall provide temporary bracing per BCSI. Unless noted otherwise, top chord shall have properly attached structural sheathing and bottom chord shall have a properly attached rigid ceiling. Locations shown for permanent lateral restraint of webs shall have continuous lateral restraint (CLR), installed with diagonal bracing installed on the CLR per BCSI sections B3, B7, or B10, as applicable. Apply plates to each face of truss and position as shown above and on the Joint Details, unless noted otherwise. Refer to drawings 160A-Z for standard plate positions. Refer to job's General Notes page for additional information.
 Alpine, a division of ITW Building Components Group Inc. shall not be responsible for any deviation from this drawing, any failure to build the truss in conformance with ANSI/TPI 1, or for handling, shipping, installation and bracing of trusses. A seal on this drawing or cover page listing this drawing, indicates acceptance of professional engineering responsibility solely for the design shown. The suitability and use of this drawing for any structure is the responsibility of the Building Designer per ANSI/TPI 1 Sec.2.
 For more information see these web sites: Alpine: alpineitw.com; TPI: tpinst.org; SBCA: sbccomponents.com; ICC: iccsafe.org; AWC: awc.org





Loading Criteria (psf) TCLL: 20.00 TCDL: 10.00 BCLL: 0.00 BCDL: 10.00 Des Ld: 40.00 NCBCLL: 10.00 Soffit: 2.00 Load Duration: 1.25 Spacing: 24.0 "	Wind Criteria Wind Std: ASCE 7-22 Speed: 130 mph Enclosure: Enclosed Risk Category: II EXP: C Kzt: NA Mean Height: 15.00 ft TCDL: 5.0 psf BCDL: 5.0 psf MWFRS Parallel Dist: h to 2h C&C Dist a: 3.74 ft Loc. from endwall: not in 9.00 ft GCp: 0.18 Wind Duration: 1.60	Snow Criteria (Pg,Pf in PSF) Pg: NA Ct: NA CAT: NA Pf: NA Ce: NA Lu: NA Cs: NA Snow Duration: NA Building Code: FBC 8th Ed. 2023 Res. TPI Std: 2014 Rep Fac: Yes FT/RT:20(0)/10(0) Plate Type(s): WAVE	Defl/CSI Criteria PP Deflection in loc L/defl L/# VERT(LL): 0.228 W 999 360 VERT(CL): 0.463 W 970 240 HORZ(LL): 0.100 O - - HORZ(TL): 0.203 O - - Creep Factor: 2.0 Max TC CSI: 0.295 Max BC CSI: 0.618 Max Web CSI: 0.954 VIEW Ver: 24.02.00D.0114.10	▲ Maximum Reactions (lbs) Gravity Loc R+ / R- / Rh / Rw / U / RL AC 1514 /- /- /786 /204 /162 O 1527 /- /- /891 /85 /- Non-Gravity Wind reactions based on MWFRS AC Brg Wid = 8.0 Min Req = 1.8 (Truss) O Brg Wid = 3.5 Min Req = 1.8 (Truss) Bearings AC & O are a rigid surface. Members not listed have forces less than 375# Maximum Top Chord Forces Per Ply (lbs) Chords Tens.Comp. Chords Tens. Comp. B - C 766 -1817 H - I 910 -2383 C - D 1236 -3055 I - J 1006 -2871 D - E 1242 -3071 J - K 823 -2397 E - F 1187 -3070 K - L 816 -2442 F - G 1179 -2967 L - M 679 -2171 G - H 908 -2380 M - N 623 -2179
--------------------------------------------------------------------------------------------------------------------------------------------------------------------------------------	------------------------------------------------------------------------------------------------------------------------------------------------------------------------------------------------------------------------------------------------------------------------------------------------------------------------	----------------------------------------------------------------------------------------------------------------------------------------------------------------------------------------------------------------------------------------------------	-------------------------------------------------------------------------------------------------------------------------------------------------------------------------------------------------------------------------------------------------------------------------------------------------	---------------------------------------------------------------------------------------------------------------------------------------------------------------------------------------------------------------------------------------------------------------------------------------------------------------------------------------------------------------------------------------------------------------------------------------------------------------------------------------------------------------------------------------------------------------------------------------------------------------------------------------------------------------------------------------

Lumber
Top chord: 2x4 SP #2;
Bot chord: 2x4 SP #2; B2 2x4 SP M-31;
Webs: 2x4 SP #3; W25 2x6 SP 2400f-2.0E;

Reinforcement
(a) Continuous lateral restraint equally spaced on member.

Plating Notes
All plates are 2X4 except as noted.

Wind
Wind loads based on MWFRS with additional C&C member design.
End verticals not exposed to wind pressure.
Wind loading based on both gable and hip roof types.

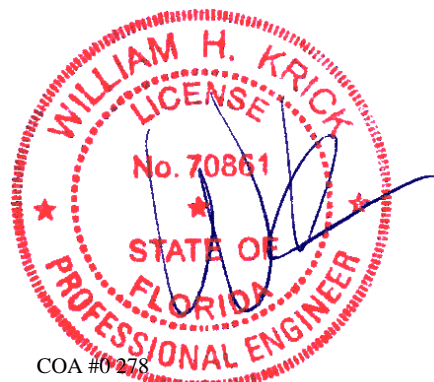
Additional Notes
The overall height of this truss excluding overhang is 7-8-3.
Note: Laterally brace bottom chord above filler at 20' O.C.Max. including a lateral brace at chord ends.

Maximum Bot Chord Forces Per Ply (lbs)

Chords	Tens.Comp.	Chords	Tens. Comp.
AC-AB	1018 -336	V - T	2582 -742
Z - Y	3406 -1237	T - R	2552 -730
Y - W	3454 -1269	Q - P	2220 -652
W - V	2959 -974		

Maximum Web Forces Per Ply (lbs)

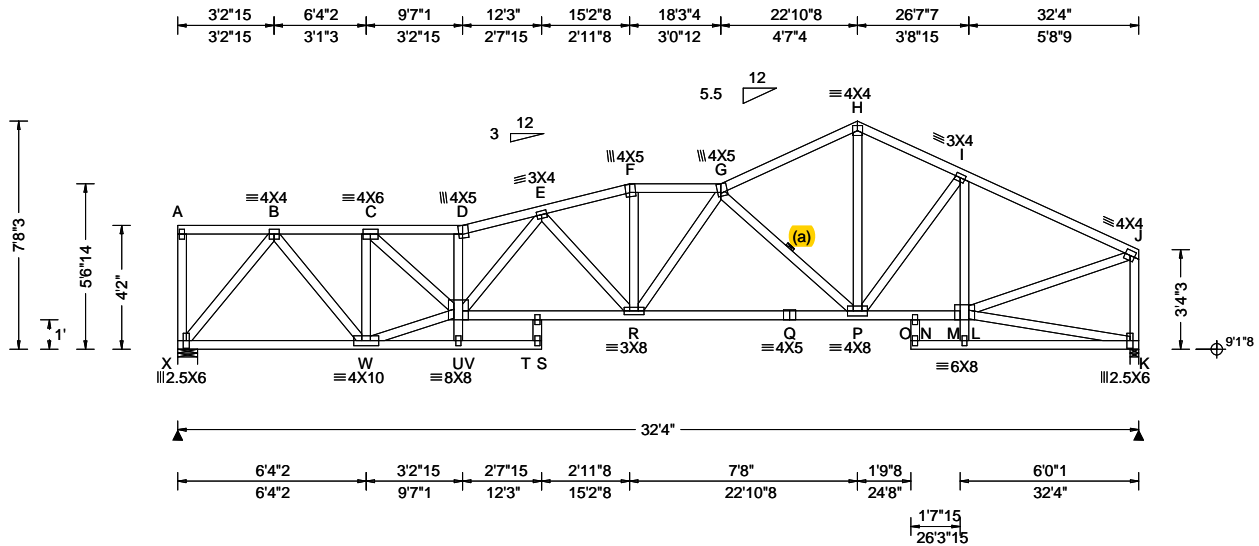
Webs	Tens.Comp.	Webs	Tens. Comp.
AC - B	782 -1711	H - V	1686 -615
B - AB	1381 -520	V - I	246 -757
AB - C	672 -1535	I - R	675 -158
AB - Z	1860 -640	R - J	827 -254
C - Z	1788 -674	R - Q	2503 -706
Z - E	252 -705	J - Q	366 -1078
E - W	382 -693	L - P	164 -404
F - W	528 -144	P - N	1936 -532
G - V	628 -1393	N - O	434 -1499



COA #0278
04/03/2026
Florida Certificate of Product Approval #FL 1999

****WARNING** READ AND FOLLOW ALL NOTES ON THIS DRAWING!**
****IMPORTANT** FURNISH THIS DRAWING TO ALL CONTRACTORS INCLUDING THE INSTALLERS**
Trusses require extreme care in fabricating, handling, shipping, installing and bracing. Refer to and follow the latest edition of BCSI (Building Component Safety Information, by TPI and SBCA) for safety practices prior to performing these functions. Installers shall provide temporary bracing per BCSI. Unless noted otherwise, top chord shall have properly attached structural sheathing and bottom chord shall have a properly attached rigid ceiling. Locations shown for permanent lateral restraint of webs shall have continuous lateral restraint (CLR), installed with diagonal bracing installed on the CLR per BCSI sections B3, B7, or B10, as applicable. Apply plates to each face of truss and position as shown above and on the Joint Details, unless noted otherwise. Refer to drawings 160A-Z for standard plate positions. Refer to job's General Notes page for additional information.
Alpine, a division of ITW Building Components Group Inc. shall not be responsible for any deviation from this drawing, any failure to build the truss in conformance with ANSI/TPI 1, or for handling, shipping, installation and bracing of trusses. A seal on this drawing or cover page listing this drawing, indicates acceptance of professional engineering responsibility solely for the design shown. The suitability and use of this drawing for any structure is the responsibility of the Building Designer per ANSI/TPI 1 Sec.2.
For more information see these web sites: Alpine: alpineitw.com; TPI: tpinst.org; SBCA: sbcacomponents.com; ICC: iccsafe.org; AWC: awc.org





Loading Criteria (psf) TCLL: 20.00 TCDL: 10.00 BCLL: 0.00 BCDL: 10.00 Des Ld: 40.00 NCBCLL: 10.00 Soffit: 2.00 Load Duration: 1.25 Spacing: 24.0 "	Wind Criteria Wind Std: ASCE 7-22 Speed: 130 mph Enclosure: Enclosed Risk Category: II EXP: C Kzt: NA Mean Height: 15.00 ft TCDL: 5.0 psf BCDL: 5.0 psf MWFRS Parallel Dist: h to 2h C&C Dist a: 3.23 ft Loc. from endwall: not in 9.00 ft GCpi: 0.18 Wind Duration: 1.60	Snow Criteria (Pg,Pf in PSF) Pg: NA Ct: NA CAT: NA Pf: NA Ce: NA Lu: NA Cs: NA Snow Duration: NA Building Code: FBC 8th Ed. 2023 Res. TPI Std: 2014 Rep Fac: Yes FT/RT:20(0)/10(0) Plate Type(s): WAVE	Defl/CSI Criteria PP Deflection in loc L/defl L/# VERT(LL): 0.178 E 999 360 VERT(CL): 0.361 E 999 240 HORZ(LL): 0.082 K - - HORZ(TL): 0.166 K - - Creep Factor: 2.0 Max TC CSI: 0.550 Max BC CSI: 0.860 Max Web CSI: 0.744 VIEW Ver: 24.02.00D.0114.10	▲ Maximum Reactions (lbs) Gravity Non-Gravity Loc R+ / R- / Rh / Rw / U / RL X 1307 - / - / - /671 /165 /89 K 1251 - / - / - /661 /62 - /- Wind reactions based on MWFRS X Brg Wid = 8.0 Min Req = 1.5 (Truss) K Brg Wid = 3.5 Min Req = 1.5 (Truss) Bearings X & K are a rigid surface. Members not listed have forces less than 375# Maximum Top Chord Forces Per Ply (lbs) Chords Tens.Comp. Chords Tens. Comp. B - C 760 -1749 F - G 1007 -2479 C - D 1330 -3153 G - H 616 -1595 D - E 1422 -3327 H - I 627 -1594 E - F 1023 -2562 I - J 539 -1595
--------------------------------------------------------------------------------------------------------------------------------------------------------------------------------------	-------------------------------------------------------------------------------------------------------------------------------------------------------------------------------------------------------------------------------------------------------------------------------------------------------------------------	----------------------------------------------------------------------------------------------------------------------------------------------------------------------------------------------------------------------------------------------------	-------------------------------------------------------------------------------------------------------------------------------------------------------------------------------------------------------------------------------------------------------------------------------------------------	-------------------------------------------------------------------------------------------------------------------------------------------------------------------------------------------------------------------------------------------------------------------------------------------------------------------------------------------------------------------------------------------------------------------------------------------------------------------------------------------------------------------------------------------------------------------------------------------------------------------

Lumber

Top chord: 2x4 SP #2;
Bot chord: 2x4 SP #2;
Webs: 2x4 SP #3;

Reinforcement

(a) Continuous lateral restraint equally spaced on member.

Plating Notes

All plates are 2X4 except as noted.

Wind

Wind loads based on MWFRS with additional C&C member design.

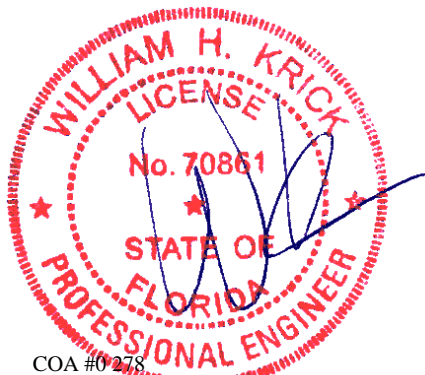
End verticals not exposed to wind pressure.

Wind loading based on both gable and hip roof types.

Additional Notes

The overall height of this truss excluding overhang is 7-8-3.

Note: Laterally brace bottom chord above filler at 20' O.C.Max. including a lateral brace at chord ends.

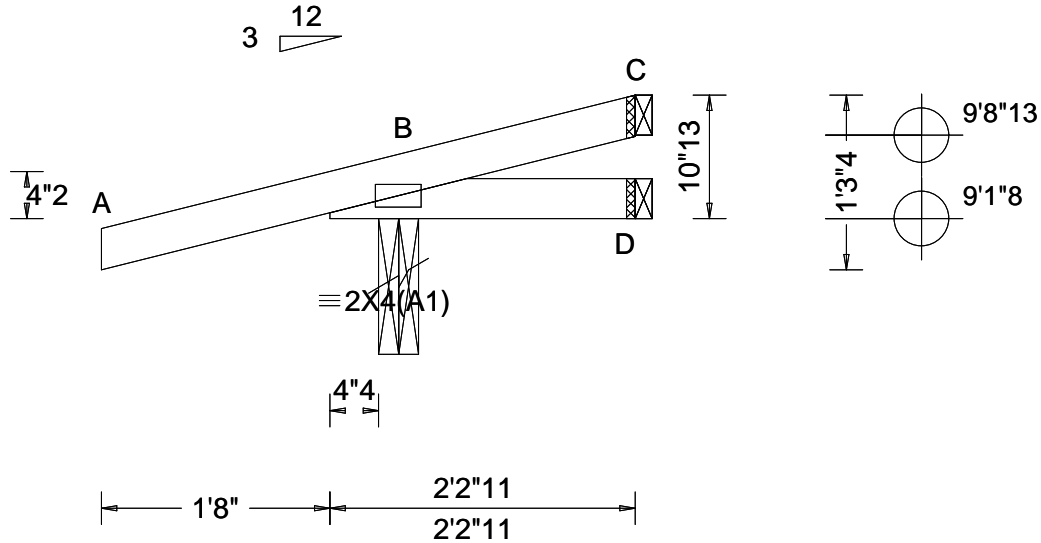


COA #0278

Florida Certificate of Product Approval #FL 1999

****WARNING** READ AND FOLLOW ALL NOTES ON THIS DRAWING!**
****IMPORTANT** FURNISH THIS DRAWING TO ALL CONTRACTORS INCLUDING THE INSTALLERS**
Trusses require extreme care in fabricating, handling, shipping, installing and bracing. Refer to and follow the latest edition of BCSI (Building Component Safety Information, by TPI and SBCA) for safety practices prior to performing these functions. Installers shall provide temporary bracing per BCSI. Unless noted otherwise, top chord shall have properly attached structural sheathing and bottom chord shall have a properly attached rigid ceiling. Locations shown for permanent lateral restraint of webs shall have continuous lateral restraint (CLR), installed with diagonal bracing installed on the CLR per BCSI sections B3, B7, or B10, as applicable. Apply plates to each face of truss and position as shown above and on the Joint Details, unless noted otherwise. Refer to drawings 160A-Z for standard plate positions. Refer to job's General Notes page for additional information.
Alpine, a division of ITW Building Components Group Inc. shall not be responsible for any deviation from this drawing, any failure to build the truss in conformance with ANSI/TPI 1, or for handling, shipping, installation and bracing of trusses. A seal on this drawing or cover page listing this drawing, indicates acceptance of professional engineering responsibility solely for the design shown. The suitability and use of this drawing for any structure is the responsibility of the Building Designer per ANSI/TPI 1 Sec.2.
For more information see these web sites: Alpine: alpineitw.com; TPI: tpinst.org; SBCA: sbccomponents.com; ICC: iccsafe.org; AWC: awc.org





Loading Criteria (psf)	Wind Criteria	Snow Criteria (Pg,Pf in PSF)	Defl/CSI Criteria	▲ Maximum Reactions (lbs)
TCLL: 20.00 TCDL: 10.00 BCLL: 0.00 BCDL: 10.00 Des Ld: 40.00 NCBCLL: 10.00 Soffit: 2.00 Load Duration: 1.25 Spacing: 24.0 "	Wind Std: ASCE 7-22 Speed: 130 mph Enclosure: Enclosed Risk Category: II EXP: C Kzt: NA Mean Height: 15.00 ft TCDL: 5.0 psf BCDL: 5.0 psf MWFRS Parallel Dist: 0 to h/2 C&C Dist a: 3.00 ft Loc. from endwall: Any GCp: 0.18 Wind Duration: 1.60	Pg: NA Ct: NA CAT: NA Pf: NA Ce: NA Lu: NA Cs: NA Snow Duration: NA Building Code: FBC 8th Ed. 2023 Res. TPI Std: 2014 Rep Fac: Yes FT/RT:20(0)/10(0) Plate Type(s): WAVE	PP Deflection in loc L/defl L/# VERT(LL): NA VERT(CL): NA HORZ(LL): -0.001 B - - HORZ(TL): 0.001 B - - Creep Factor: 2.0 Max TC CSI: 0.342 Max BC CSI: 0.079 Max Web CSI: 0.000 VIEW Ver: 24.02.00D.0114.10	Gravity Non-Gravity Loc R+ /R- /Rh /Rw /U /RL B 283 /- /- /95 /116 /37 D 22 /-4 /- /24 /- /- C 8 /- /- /26 /8 /- Wind reactions based on MWFRS B Brg Wid = 3.5 Min Req = 1.5 (Truss) D Brg Wid = 1.5 Min Req = - C Brg Wid = 1.5 Min Req = - Bearing B is a rigid surface. Members not listed have forces less than 375#

Lumber

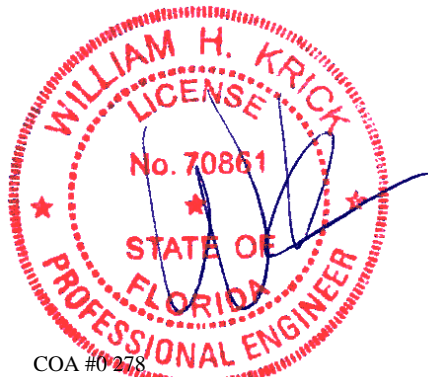
Top chord: 2x4 SP #2;
Bot chord: 2x4 SP #2;

Wind

Wind loads based on MWFRS with additional C&C member design.
Left cantilever is exposed to wind
Wind loading based on both gable and hip roof types.

Additional Notes

The overall height of this truss excluding overhang is 0-10-13.

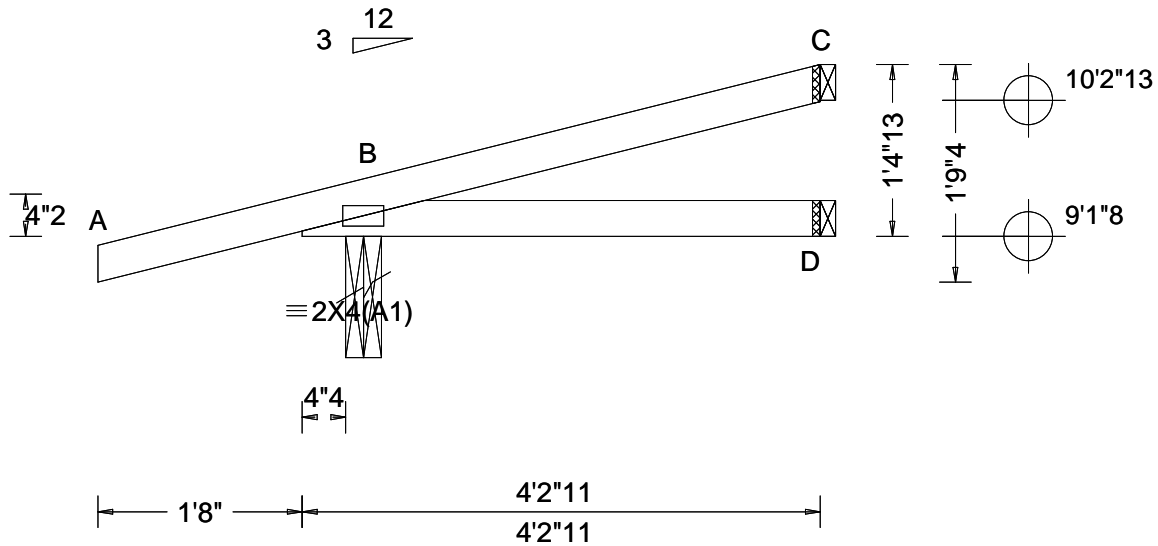


COA #0278

Florida Certificate of Product Approval #FL 1999

****WARNING** READ AND FOLLOW ALL NOTES ON THIS DRAWING!**
****IMPORTANT** FURNISH THIS DRAWING TO ALL CONTRACTORS INCLUDING THE INSTALLERS**
Trusses require extreme care in fabricating, handling, shipping, installing and bracing. Refer to and follow the latest edition of BCSI (Building Component Safety Information, by TPI and SBCA) for safety practices prior to performing these functions. Installers shall provide temporary bracing per BCSI. Unless noted otherwise, top chord shall have properly attached structural sheathing and bottom chord shall have a properly attached rigid ceiling. Locations shown for permanent lateral restraint of webs shall have continuous lateral restraint (CLR), installed with diagonal bracing installed on the CLR per BCSI sections B3, B7, or B10, as applicable. Apply plates to each face of truss and position as shown above and on the Joint Details, unless noted otherwise. Refer to drawings 160A-Z for standard plate positions. Refer to job's General Notes page for additional information.
Alpine, a division of ITW Building Components Group Inc. shall not be responsible for any deviation from this drawing, any failure to build the truss in conformance with ANSI/TPI 1, or for handling, shipping, installation and bracing of trusses. A seal on this drawing or cover page listing this drawing, indicates acceptance of professional engineering responsibility solely for the design shown. The suitability and use of this drawing for any structure is the responsibility of the Building Designer per ANSI/TPI 1 Sec.2.
For more information see these web sites: Alpine: alpineitw.com; TPI: tpinst.org; SBCA: sbccomponents.com; ICC: iccsafe.org; AWC: awc.org





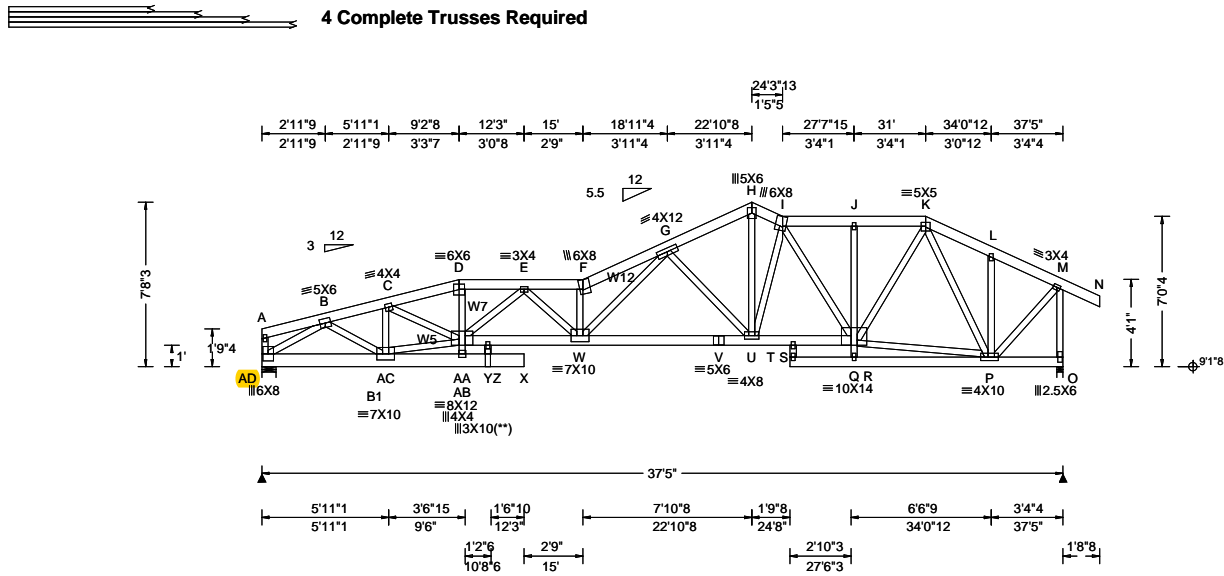
Loading Criteria (psf) TCCL: 20.00 TCDL: 10.00 BCCL: 0.00 BCDL: 10.00 Des Ld: 40.00 NCBCLL: 10.00 Soffit: 2.00 Load Duration: 1.25 Spacing: 24.0 "	Wind Criteria Wind Std: ASCE 7-22 Speed: 130 mph Enclosure: Enclosed Risk Category: II EXP: C Kzt: NA Mean Height: 15.00 ft TCDL: 5.0 psf BCDL: 5.0 psf MWFRS Parallel Dist: 0 to h/2 C&C Dist a: 3.00 ft Loc. from endwall: not in 4.50 ft GCp: 0.18 Wind Duration: 1.60	Snow Criteria (Pg,Pf in PSF) Pg: NA Ct: NA CAT: NA Pf: NA Ce: NA Lu: NA Cs: NA Snow Duration: NA Building Code: FBC 8th Ed. 2023 Res. TPI Std: 2014 Rep Fac: Yes FT/RT:20(0)/10(0) Plate Type(s): WAVE	Defl/CSI Criteria PP Deflection in loc L/defl L/# VERT(LL): NA VERT(CL): NA HORZ(LL): 0.001 B - - HORZ(TL): 0.003 B - - Creep Factor: 2.0 Max TC CSI: 0.335 Max BC CSI: 0.119 Max Web CSI: 0.000 VIEW Ver: 24.02.00D.0114.10	▲ Maximum Reactions (lbs) <table border="1"> <thead> <tr> <th rowspan="2">Loc</th> <th colspan="3">Gravity</th> <th colspan="3">Non-Gravity</th> </tr> <tr> <th>R+</th> <th>/R-</th> <th>/Rh</th> <th>/Rw</th> <th>/U</th> <th>/RL</th> </tr> </thead> <tbody> <tr> <td>B</td> <td>327</td> <td>/-</td> <td>/-</td> <td>/128</td> <td>/102</td> <td>/52</td> </tr> <tr> <td>D</td> <td>66</td> <td>/-</td> <td>/-</td> <td>/42</td> <td>/-</td> <td>/-</td> </tr> <tr> <td>C</td> <td>87</td> <td>/-</td> <td>/-</td> <td>/44</td> <td>/37</td> <td>/-</td> </tr> </tbody> </table> Wind reactions based on MWFRS B Brg Wid = 3.5 Min Req = 1.5 (Truss) D Brg Wid = 1.5 Min Req = - C Brg Wid = 1.5 Min Req = - Bearing B is a rigid surface. Members not listed have forces less than 375#	Loc	Gravity			Non-Gravity			R+	/R-	/Rh	/Rw	/U	/RL	B	327	/-	/-	/128	/102	/52	D	66	/-	/-	/42	/-	/-	C	87	/-	/-	/44	/37	/-
				Loc		Gravity			Non-Gravity																													
R+	/R-	/Rh	/Rw		/U	/RL																																
B	327	/-	/-	/128	/102	/52																																
D	66	/-	/-	/42	/-	/-																																
C	87	/-	/-	/44	/37	/-																																
Lumber Top chord: 2x4 SP #2; Bot chord: 2x4 SP #2; Wind Wind loads based on MWFRS with additional C&C member design. Left cantilever is exposed to wind Wind loading based on both gable and hip roof types. Additional Notes The overall height of this truss excluding overhang is 1-4-13.																																						



COA #0278

Florida Certificate of Product Approval #FL 1999

****WARNING** READ AND FOLLOW ALL NOTES ON THIS DRAWING!**
****IMPORTANT** FURNISH THIS DRAWING TO ALL CONTRACTORS INCLUDING THE INSTALLERS**
 Trusses require extreme care in fabricating, handling, shipping, installing and bracing. Refer to and follow the latest edition of BCSI (Building Component Safety Information, by TPI and SBCA) for safety practices prior to performing these functions. Installers shall provide temporary bracing per BCSI. Unless noted otherwise, top chord shall have properly attached structural sheathing and bottom chord shall have a properly attached rigid ceiling. Locations shown for permanent lateral restraint of webs shall have continuous lateral restraint (CLR), installed with diagonal bracing installed on the CLR per BCSI sections B3, B7, or B10, as applicable. Apply plates to each face of truss and position as shown above and on the Joint Details, unless noted otherwise. Refer to drawings 160A-Z for standard plate positions. Refer to job's General Notes page for additional information.
 Alpine, a division of ITW Building Components Group Inc. shall not be responsible for any deviation from this drawing, any failure to build the truss in conformance with ANSI/TPI 1, or for handling, shipping, installation and bracing of trusses. A seal on this drawing or cover page listing this drawing, indicates acceptance of professional engineering responsibility solely for the design shown. The suitability and use of this drawing for any structure is the responsibility of the Building Designer per ANSI/TPI 1 Sec.2.
 For more information see these web sites: Alpine: alpineitw.com; TPI: tpinst.org; SBCA: sbccomponents.com; ICC: iccsafe.org; AWC: awc.org



Loading Criteria (psf) TCCL: 20.00 TCDL: 10.00 BCLL: 0.00 BCDL: 10.00 Des Ld: 40.00 NCBCLL: 0.00 Soffit: 2.00 Load Duration: 1.25 Spacing: 24.0 "	Wind Criteria Wind Std: ASCE 7-22 Speed: 130 mph Enclosure: Enclosed Risk Category: II EXP: C Kzt: NA Mean Height: 15.00 ft TCDL: 5.0 psf BCDL: 5.0 psf MWFRS Parallel Dist: 0 to h/2 C&C Dist a: 3.74 ft Loc. from endwall: not in 9.00 ft GCp: 0.18 Wind Duration: 1.60	Snow Criteria (Pg,Pf in PSF) Pg: NA Ct: NA CAT: NA Pf: NA Ce: NA Lu: NA Cs: NA Snow Duration: NA Building Code: FBC 8th Ed. 2023 Res. TPI Std: 2014 Rep Fac: Yes FT/RT:20(0)/10(0) Plate Type(s): WAVE	Defl/CSI Criteria PP Deflection in loc L/defl L/# VERT(LL): 0.385 F 999 360 VERT(CL): 0.463 F 970 240 HORZ(LL): 0.110 O - - HORZ(TL): 0.134 O - - Creep Factor: 2.0 Max TC CSI: 0.133 Max BC CSI: 0.302 Max Web CSI: 0.801 VIEW Ver: 24.02.00D.0114.10	▲ Maximum Reactions (lbs) Gravity Loc R+ / R- / Rh / Rw / U / RL AD 8070 - / - / - / /1099 /113 O 3061 - / - / - / /447 - / - Wind reactions based on MWFRS AD Brg Wid = 8.0 Min Req = 1.7 (Truss) O Brg Wid = 3.5 Min Req = 1.5 (Truss) Bearings AD & O are a rigid surface. Members not listed have forces less than 375# Maximum Top Chord Forces Per Ply (lbs) Chords Tens.Comp. Chords Tens. Comp.
				B - C 439 -3602 H - I 190 -1482 C - D 555 -4989 I - J 153 -1152 D - E 545 -4924 J - K 152 -1148 E - F 501 -4223 K - L 82 -528 F - G 565 -4732 L - M 84 -528 G - H 202 -1551

Lumber
 Top chord: 2x6 SP 2400f-2.0E;
 Bot chord: 2x6 SP 2400f-2.0E;
 B1 2x8 SP 2400f-2.0E;
 Webs: 2x4 SP #3; W5,W7,W12 2x4 SP #2;

Nailnote
 Nail Schedule: 0.128"x3", min. nails
 Top Chord: 1 Row @ 12.00" o.c.
 Bot Chord: 1 Row @ 6.50" o.c.
 Webs : 1 Row @ 4" o.c.
 Repeat nailing as each layer is applied. Use equal spacing between rows and stagger nails in each row to avoid splitting.
 In addition apply (1) 1/2" bolt or 0.22"-0.25" min/max dia. X 6.0" length wood screw at each joint location.

Plating Notes
 All plates are 2X4 except as noted.
 (**) 1 plate(s) require special positioning. Refer to scaled plate plot details for special positioning requirements.

Wind
 Wind loads and reactions based on MWFRS.
 Left end vertical not exposed to wind pressure.
 Right end vertical exposed to wind pressure.
 Deflection meets L/360.
 Wind loading based on both gable and hip roof types.
 Note: Laterally brace bottom chord above filler at 2'0" O.C.Max. including a lateral brace at chord ends.

Maximum Bot Chord Forces Per Ply (lbs)

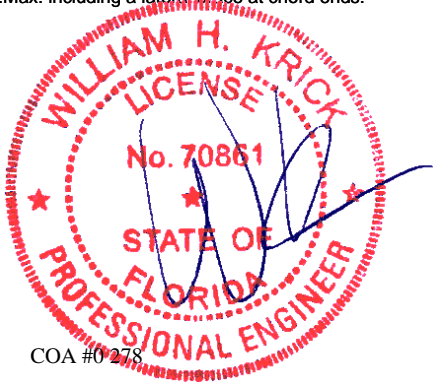
Chords	Tens.Comp.	Chords	Tens. Comp.
AD-AC	2422 -276	V - U	2325 -265
AA- Y	4572 -503	U - S	1418 -156
Y - W	4610 -507	S - Q	1407 -155
W - V	2325 -265		

Maximum Web Forces Per Ply (lbs)

Webs	Tens.Comp.	Webs	Tens. Comp.
AD- B	364 -2902	W - G	2964 -327
B -AC	1289 -144	G - U	168 -1360
AC- C	98 -992	H - U	1081 -127
AC-AA	3547 -400	I - Q	60 -522
C-AA	1454 -121	Q - K	825 -96
D-AA	1170 -114	Q - P	694 -72
AA-AB	648 -45	K - P	75 -583
AA- E	542 -105	P - M	680 -81
E - W	59 -630	M - O	115 -763
W - F	236 -1869		

Special Loads
 -----(Lumber Dur.Fac.=1.25 / Plate Dur.Fac.=1.25)
 TC: From 61 plf at 0.00 to 61 plf at 15.00
 TC: From 62 plf at 15.00 to 62 plf at 24.32
 TC: From 61 plf at 24.32 to 61 plf at 31.00
 TC: From 62 plf at 31.00 to 62 plf at 39.12
 BC: From 10 plf at 0.00 to 10 plf at 8.67
 BC: From 20 plf at 8.67 to 20 plf at 37.42
 BC: From 4 plf at 37.42 to 4 plf at 39.12
 BC: 1174 lb Conc. Load at 0.60
 BC: 562 lb Conc. Load at 2.60, 4.60, 6.60
 BC: 5205 lb Conc. Load at 8.67

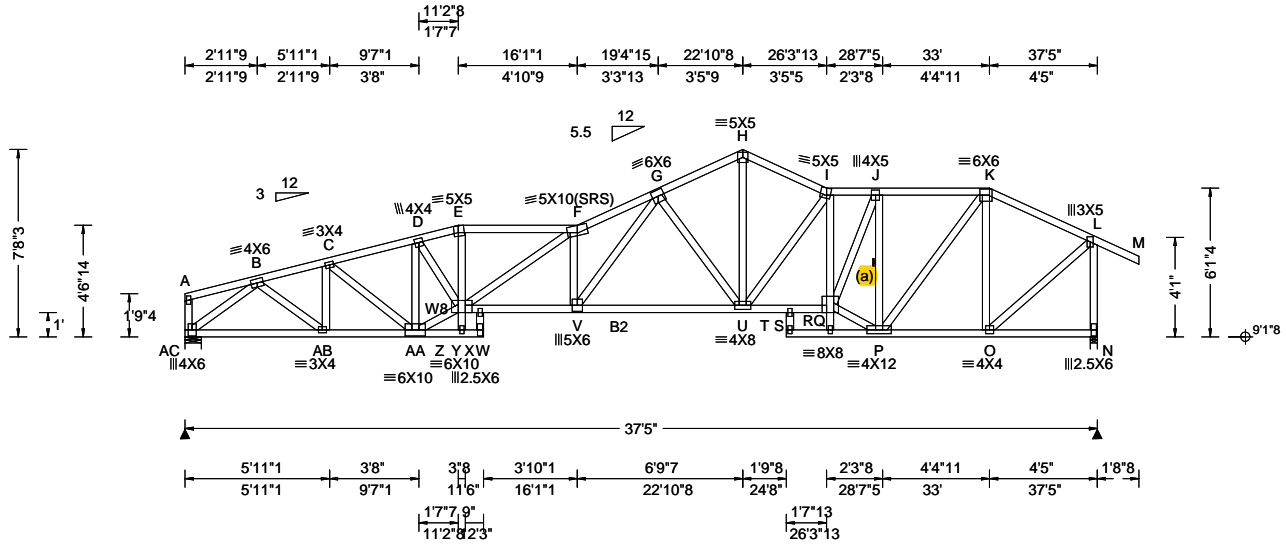
Additional Notes
 The overall height of this truss excluding overhang is 7'-8.3".



COA #0278
 01/03/2026
 Florida Certificate of Product Approval #FL 1999

****WARNING** READ AND FOLLOW ALL NOTES ON THIS DRAWING!**
****IMPORTANT** FURNISH THIS DRAWING TO ALL CONTRACTORS INCLUDING THE INSTALLERS**
 Trusses require extreme care in fabricating, handling, shipping, installing and bracing. Refer to and follow the latest edition of BCSI (Building Component Safety Information, by TPI and SBCA) for safety practices prior to performing these functions. Installers shall provide temporary bracing per BCSI. Unless noted otherwise, top chord shall have properly attached structural sheathing and bottom chord shall have a properly attached rigid ceiling. Locations shown for permanent lateral restraint of webs shall have continuous lateral restraint (CLR), installed with diagonal bracing installed on the CLR per BCSI sections B3, B7, or B10, as applicable. Apply plates to each face of truss and position as shown above and on the Joint Details, unless noted otherwise. Refer to drawings 160A-Z for standard plate positions. Refer to job's General Notes page for additional information.
 Alpine, a division of ITW Building Components Group Inc. shall not be responsible for any deviation from this drawing, any failure to build the truss in conformance with ANSI/TPI 1, or for handling, shipping, installation and bracing of trusses. A seal on this drawing or cover page listing this drawing, indicates acceptance of professional engineering responsibility solely for the design shown. The suitability and use of this drawing for any structure is the responsibility of the Building Designer per ANSI/TPI 1 Sec.2.
 For more information see these web sites: Alpine: alpineitw.com; TPI: tpinst.org; SBCA: sbccomponents.com; ICC: iccsafe.org; AWC: awc.org





Loading Criteria (psf) TCLL: 20.00 TCDL: 10.00 BCLL: 0.00 BCDL: 10.00 Des Ld: 40.00 NCBCLL: 10.00 Soffit: 2.00 Load Duration: 1.25 Spacing: 24.0 "	Wind Criteria Wind Std: ASCE 7-22 Speed: 130 mph Enclosure: Enclosed Risk Category: II EXP: C Kzt: NA Mean Height: 15.00 ft TCDL: 5.0 psf BCDL: 5.0 psf MWFRS Parallel Dist: h to 2h C&C Dist a: 3.74 ft Loc. from endwall: not in 9.00 ft GCp: 0.18 Wind Duration: 1.60	Snow Criteria (Pg,Pf in PSF) Pg: NA Ct: NA CAT: NA Pf: NA Ce: NA Lu: NA Cs: NA Snow Duration: NA Building Code: FBC 8th Ed. 2023 Res. TPI Std: 2014 Rep Fac: Yes FT/RT:20(0)/10(0) Plate Type(s): WAVE	Defl/CSI Criteria PP Deflection in loc L/defl L/# VERT(LL): 0.338 F 999 360 VERT(CL): 0.680 F 660 240 HORZ(LL): 0.119 N - - HORZ(TL): 0.240 N - - Creep Factor: 2.0 Max TC CSI: 0.550 Max BC CSI: 0.624 Max Web CSI: 0.940 VIEW Ver: 24.02.00D.0114.10	▲ Maximum Reactions (lbs) Gravity Non-Gravity Loc R+ / R- / Rh / Rw / U / RL AC 1512 - / - / /805 /117 /235 N 1638 - / - / /821 /120 - /- Wind reactions based on MWFRS AC Brg Wid = 8.0 Min Req = 1.8 (Truss) N Brg Wid = 3.5 Min Req = 1.9 (Truss) Bearings AC & N are a rigid surface. Members not listed have forces less than 375# Maximum Top Chord Forces Per Ply (lbs) Chords Tens.Comp. Chords Tens. Comp. B - C 889 -2628 G - H 917 -2385 C - D 1054 -2917 H - I 914 -2373 D - E 1461 -3828 I - J 980 -2512 E - F 1447 -3754 J - K 783 -1787 F - G 1753 -4697 K - L 538 -1188
--------------------------------------------------------------------------------------------------------------------------------------------------------------------------------------	------------------------------------------------------------------------------------------------------------------------------------------------------------------------------------------------------------------------------------------------------------------------------------------------------------------------	----------------------------------------------------------------------------------------------------------------------------------------------------------------------------------------------------------------------------------------------------	-------------------------------------------------------------------------------------------------------------------------------------------------------------------------------------------------------------------------------------------------------------------------------------------------	-------------------------------------------------------------------------------------------------------------------------------------------------------------------------------------------------------------------------------------------------------------------------------------------------------------------------------------------------------------------------------------------------------------------------------------------------------------------------------------------------------------------------------------------------------------------------------------------------------------------------------------------------------

Lumber
Top chord: 2x4 SP #2;
Bot chord: 2x4 SP #2; B2 2x4 SP M-31;
Webs: 2x4 SP #3; W8 2x4 SP #2;

Reinforcement
(a) Continuous lateral restraint equally spaced on member.

Plating Notes
All plates are 2X4 except as noted.

Wind
Wind loads based on MWFRS with additional C&C member design.
Left end vertical not exposed to wind pressure.
Right end vertical exposed to wind pressure.
Deflection meets L/360.
Wind loading based on both gable and hip roof types.

Additional Notes
The overall height of this truss excluding overhang is 7-8-3.

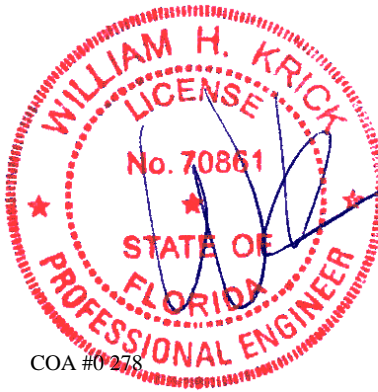
Note: Laterally brace bottom chord above filler at 20" O.C.Max. including a lateral brace at chord ends.

Maximum Bot Chord Forces Per Ply (lbs)

Chords	Tens.Comp.	Chords	Tens. Comp.
AC-AB	1831 -782	V - U	2960 -1133
AB-AA	2573 -1014	U - S	2536 -988
Y - X	4210 -1603	S - Q	2499 -972
X - V	4239 -1618	P - O	1027 -424

Maximum Web Forces Per Ply (lbs)

Webs	Tens.Comp.	Webs	Tens. Comp.
AC - B	793 -2273	G - U	568 -1396
B - AB	903 -273	H - U	1696 -627
AB - C	241 -482	U - I	368 -698
AA - D	721 -1670	I - Q	168 -577
AA - Y	3227 -1291	Q - J	1776 -644
D - Y	1573 -635	Q - P	2054 -821
E - Y	698 -170	J - P	798 -1879
Y - Z	229 -482	P - K	1235 -471
Y - F	279 -740	K - O	371 -784
F - V	814 -1854	O - L	1348 -482
V - G	2263 -858	L - N	649 -1600

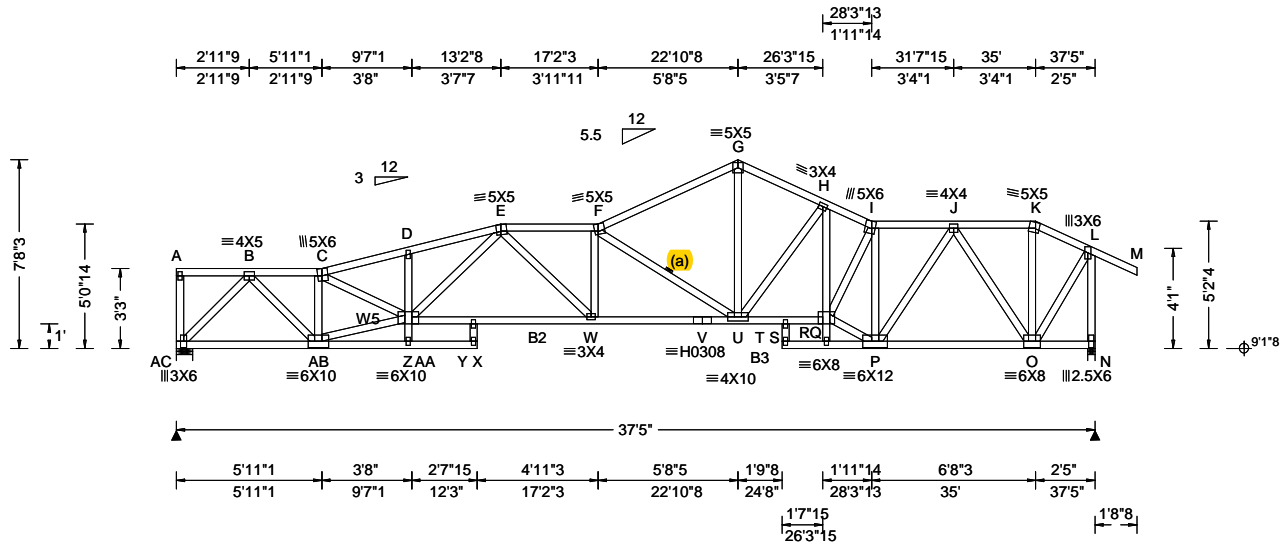


COA #0278

Florida Certificate of Product Approval #FL 1999

****WARNING** READ AND FOLLOW ALL NOTES ON THIS DRAWING!**
****IMPORTANT** FURNISH THIS DRAWING TO ALL CONTRACTORS INCLUDING THE INSTALLERS**
Trusses require extreme care in fabricating, handling, shipping, installing and bracing. Refer to and follow the latest edition of BCSI (Building Component Safety Information, by TPI and SBCA) for safety practices prior to performing these functions. Installers shall provide temporary bracing per BCSI. Unless noted otherwise, top chord shall have properly attached structural sheathing and bottom chord shall have a properly attached rigid ceiling. Locations shown for permanent lateral restraint of webs shall have continuous lateral restraint (CLR), installed with diagonal bracing installed on the CLR per BCSI sections B3, B7, or B10, as applicable. Apply plates to each face of truss and position as shown above and on the Joint Details, unless noted otherwise. Refer to drawings 160A-Z for standard plate positions. Refer to job's General Notes page for additional information.
Alpine, a division of ITW Building Components Group Inc. shall not be responsible for any deviation from this drawing, any failure to build the truss in conformance with ANSI/TPI 1, or for handling, shipping, installation and bracing of trusses. A seal on this drawing or cover page listing this drawing, indicates acceptance of professional engineering responsibility solely for the design shown. The suitability and use of this drawing for any structure is the responsibility of the Building Designer per ANSI/TPI 1 Sec.2.
For more information see these web sites: Alpine: alpineitw.com; TPI: tpinst.org; SBCA: sbcacomponents.com; ICC: iccsafe.org; AWC: awc.org





Loading Criteria (psf) TCLL: 20.00 TCDL: 10.00 BCLL: 0.00 BCDL: 10.00 Des Ld: 40.00 NCBCLL: 10.00 Soffit: 2.00 Load Duration: 1.25 Spacing: 24.0 "	Wind Criteria Wind Std: ASCE 7-22 Speed: 130 mph Enclosure: Enclosed Risk Category: II EXP: C Kzt: NA Mean Height: 15.00 ft TCDL: 5.0 psf BCDL: 5.0 psf MWFRS Parallel Dist: 0 to h/2 C&C Dist a: 3.74 ft Loc. from endwall: not in 9.00 ft GCp: 0.18 Wind Duration: 1.60	Snow Criteria (Pg,Pf in PSF) Pg: NA Ct: NA CAT: NA Pf: NA Ce: NA Lu: NA Cs: NA Snow Duration: NA Building Code: FBC 8th Ed. 2023 Res. TPI Std: 2014 Rep Fac: Varies by Ld Case FT/RT:20(0)/10(0) Plate Type(s): WAVE, HS	Defl/CSI Criteria PP Deflection in loc L/defl L/# VERT(LL): 0.296 F 999 360 VERT(CL): 0.594 F 755 240 HORZ(LL): 0.118 O - - HORZ(TL): 0.237 O - - Creep Factor: 2.0 Max TC CSI: 0.560 Max BC CSI: 0.562 Max Web CSI: 0.993 VIEW Ver: 24.02.00D.0114.10	▲ Maximum Reactions (lbs) Gravity Non-Gravity Loc R+ / R- / Rh / Rw / U / RL AC 1525 - / - / - / 288 / 123 N 1788 - / - / - / 349 / - Wind reactions based on MWFRS AC Brg Wid = 8.0 Min Req = 1.8 (Truss) N Brg Wid = 3.5 Min Req = 2.1 (Truss) Bearings AC & N are a rigid surface. Members not listed have forces less than 375# Maximum Top Chord Forces Per Ply (lbs) Chords Tens.Comp. Chords Tens. Comp. B - C 471 -2548 G - H 449 -2428 C - D 722 -4117 H - I 535 -2913 D - E 729 -4151 I - J 422 -2194 E - F 674 -3786 J - K 187 -814 F - G 465 -2468 K - L 225 -934 Maximum Bot Chord Forces Per Ply (lbs) Chords Tens.Comp. Chords Tens. Comp. AC-AB 1408 -159 V - U 3803 -559 Z - Y 3436 -498 U - S 2630 -355 Y - W 3500 -519 S - Q 2595 -347 W - V 3803 -559 P - O 1582 -209 Maximum Web Forces Per Ply (lbs) Webs Tens.Comp. Webs Tens. Comp. AC - B 400 -1982 U - H 138 -756 B - AB 1653 -274 H - Q 678 -93 AB - C 351 -1853 Q - I 823 -101 AB - Z 2624 -351 Q - P 2560 -348 C - Z 1494 -228 I - P 368 -2071 Z - E 737 -74 P - J 1119 -163 E - W 562 -45 J - O 266 -1406 F - U 343 -1945 O - L 1438 -209 G - U 1660 -237 L - N 349 -1782
--------------------------------------------------------------------------------------------------------------------------------------------------------------------------------------	-------------------------------------------------------------------------------------------------------------------------------------------------------------------------------------------------------------------------------------------------------------------------------------------------------------------------	----------------------------------------------------------------------------------------------------------------------------------------------------------------------------------------------------------------------------------------------------------------------	-------------------------------------------------------------------------------------------------------------------------------------------------------------------------------------------------------------------------------------------------------------------------------------------------	------------------------------------------------------------------------------------------------------------------------------------------------------------------------------------------------------------------------------------------------------------------------------------------------------------------------------------------------------------------------------------------------------------------------------------------------------------------------------------------------------------------------------------------------------------------------------------------------------------------------------------------------------------------------------------------------------------------------------------------------------------------------------------------------------------------------------------------------------------------------------------------------------------------------------------------------------------------------------------------------------------------------------------------------------------------------------------------------------------------------------------------------------------------------------------------------------------------------------------------------------------------------------------------------

Lumber
Top chord: 2x4 SP #2;
Bot chord: 2x4 SP #2; B2,B3 2x4 SP M-31;
Webs: 2x4 SP #3; W5 2x4 SP #2;

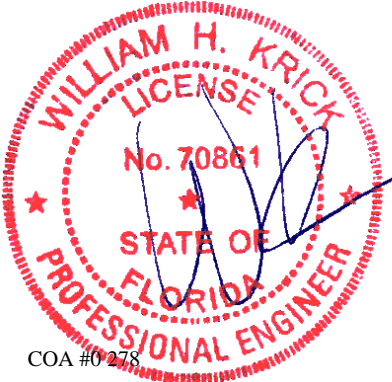
Reinforcement
(a) Continuous lateral restraint equally spaced on member.

Special Loads
----- (Lumber Dur.Fac.=1.25 / Plate Dur.Fac.=1.25)
TC: From 61 plf at 0.00 to 61 plf at 17.18
TC: From 62 plf at 17.18 to 62 plf at 28.32
TC: From 61 plf at 28.32 to 61 plf at 32.94
TC: From 30 plf at 32.94 to 30 plf at 35.00
TC: From 62 plf at 35.00 to 62 plf at 39.12
BC: From 20 plf at 0.00 to 20 plf at 32.94
BC: From 10 plf at 32.94 to 10 plf at 34.97
BC: From 20 plf at 34.97 to 20 plf at 37.42
BC: From 4 plf at 37.42 to 4 plf at 39.12
TC: 35 lb Conc. Load at 32.94
TC: 50 lb Conc. Load at 34.97
BC: 48 lb Conc. Load at 32.94
BC: 114 lb Conc. Load at 34.97

Wind
Wind loads and reactions based on MWFRS.
Left end vertical not exposed to wind pressure.
Right end vertical exposed to wind pressure.
Deflection meets L/360.
Wind loading based on both gable and hip roof types.

Plating Notes
All plates are 2X4 except as noted.

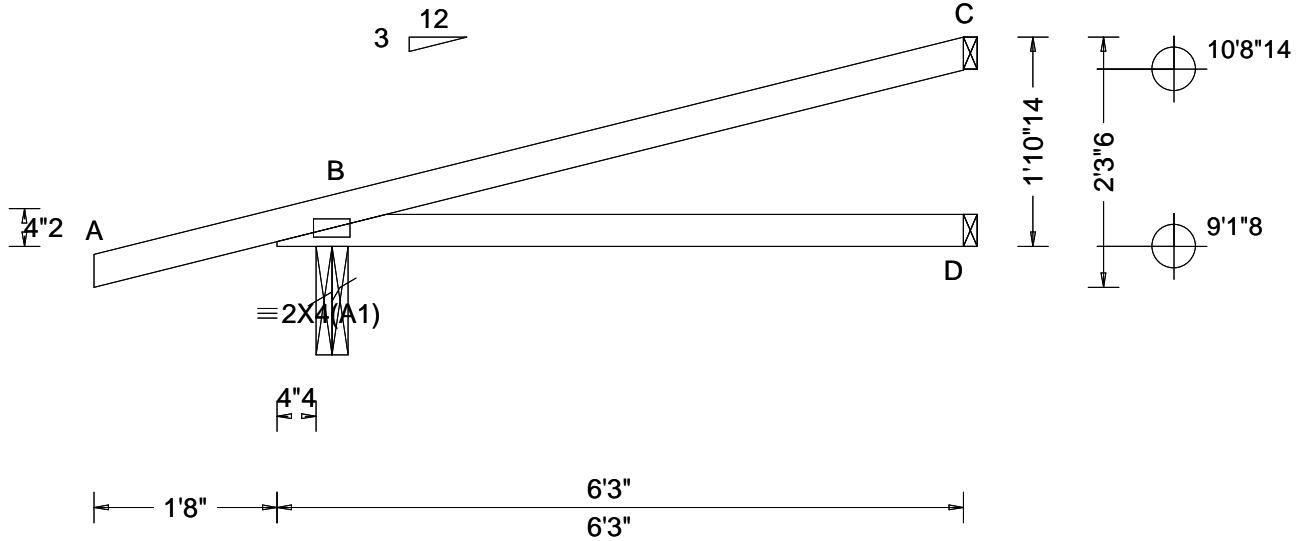
Additional Notes
The overall height of this truss excluding overhang is 7-8-3.
Note: Laterally brace bottom chord above filler at 2'0" O.C.Max. including a lateral brace at chord ends.



COA #0 278
04/02/2026
Florida Certificate of Product Approval #FL 1999

****WARNING** READ AND FOLLOW ALL NOTES ON THIS DRAWING!**
****IMPORTANT** FURNISH THIS DRAWING TO ALL CONTRACTORS INCLUDING THE INSTALLERS**
Trusses require extreme care in fabricating, handling, shipping, installing and bracing. Refer to and follow the latest edition of BCSI (Building Component Safety Information, by TPI and SBCA) for safety practices prior to performing these functions. Installers shall provide temporary bracing per BCSI. Unless noted otherwise, top chord shall have properly attached structural sheathing and bottom chord shall have a properly attached rigid ceiling. Locations shown for permanent lateral restraint of webs shall have continuous lateral restraint (CLR), installed with diagonal bracing installed on the CLR per BCSI sections B3, B7, or B10, as applicable. Apply plates to each face of truss and position as shown above and on the Joint Details, unless noted otherwise. Refer to drawings 160A-Z for standard plate positions. Refer to job's General Notes page for additional information.
Alpine, a division of ITW Building Components Group Inc. shall not be responsible for any deviation from this drawing, any failure to build the truss in conformance with ANSI/TPI 1, or for handling, shipping, installation and bracing of trusses. A seal on this drawing or cover page listing this drawing, indicates acceptance of professional engineering responsibility solely for the design shown. The suitability and use of this drawing for any structure is the responsibility of the Building Designer per ANSI/TPI 1 Sec.2.
For more information see these web sites: Alpine: alpineitw.com; TPI: tpinst.org; SBCA: sbcacomponents.com; ICC: iccsafe.org; AWC: awc.org





Loading Criteria (psf) TCCL: 20.00 TCCL: 10.00 BCCL: 0.00 BCDL: 10.00 Des Ld: 40.00 NCBCLL: 10.00 Soffit: 2.00 Load Duration: 1.25 Spacing: 24.0 "	Wind Criteria Wind Std: ASCE 7-22 Speed: 130 mph Enclosure: Enclosed Risk Category: II EXP: C Kzt: NA Mean Height: 15.00 ft TCCL: 5.0 psf BCDL: 5.0 psf MWFRS Parallel Dist: h/2 to h C&C Dist a: 3.00 ft Loc. from endwall: not in 4.50 ft GCp: 0.18 Wind Duration: 1.60	Snow Criteria (Pg,Pf in PSF) Pg: NA Ct: NA CAT: NA Pf: NA Ce: NA Lu: NA Cs: NA Snow Duration: NA Building Code: FBC 8th Ed. 2023 Res. TPI Std: 2014 Rep Fac: Yes FT/RT:20(0)/10(0) Plate Type(s): WAVE	Defl/CSI Criteria PP Deflection in loc L/defl L/# VERT(LL): NA VERT(CL): NA HORZ(LL): 0.007 B - - HORZ(TL): 0.013 B - - Creep Factor: 2.0 Max TC CSI: 0.468 Max BC CSI: 0.337 Max Web CSI: 0.000 VIEW Ver: 24.02.00D.0114.10	▲ Maximum Reactions (lbs) <table border="1"> <thead> <tr> <th rowspan="2">Loc</th> <th colspan="3">Gravity</th> <th colspan="3">Non-Gravity</th> </tr> <tr> <th>R+</th> <th>/R-</th> <th>/Rh</th> <th>/Rw</th> <th>/U</th> <th>/RL</th> </tr> </thead> <tbody> <tr> <td>B</td> <td>397</td> <td>-</td> <td>-</td> <td>/167</td> <td>/104</td> <td>/68</td> </tr> <tr> <td>D</td> <td>106</td> <td>-</td> <td>-</td> <td>/62</td> <td>-</td> <td>-</td> </tr> <tr> <td>C</td> <td>150</td> <td>-</td> <td>-</td> <td>/65</td> <td>/62</td> <td>-</td> </tr> </tbody> </table>	Loc	Gravity			Non-Gravity			R+	/R-	/Rh	/Rw	/U	/RL	B	397	-	-	/167	/104	/68	D	106	-	-	/62	-	-	C	150	-	-	/65	/62	-
				Loc		Gravity			Non-Gravity																													
R+	/R-	/Rh	/Rw		/U	/RL																																
B	397	-	-	/167	/104	/68																																
D	106	-	-	/62	-	-																																
C	150	-	-	/65	/62	-																																
Wind reactions based on MWFRS B Brg Wid = 3.5 Min Req = 1.5 (Truss) D Brg Wid = 1.5 Min Req = - C Brg Wid = 1.5 Min Req = - Bearing B is a rigid surface. Members not listed have forces less than 375#																																						

Lumber

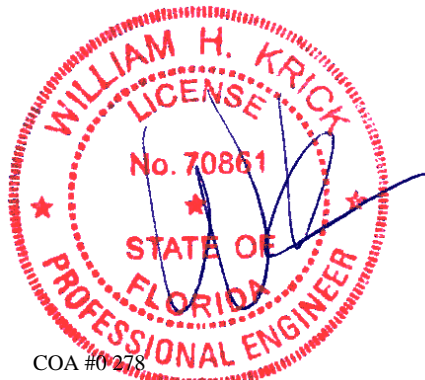
Top chord: 2x4 SP #2;
 Bot chord: 2x4 SP #2;

Wind

Wind loads based on MWFRS with additional C&C member design.
 Left cantilever is exposed to wind
 Wind loading based on both gable and hip roof types.

Additional Notes

The overall height of this truss excluding overhang is 1-10-14.

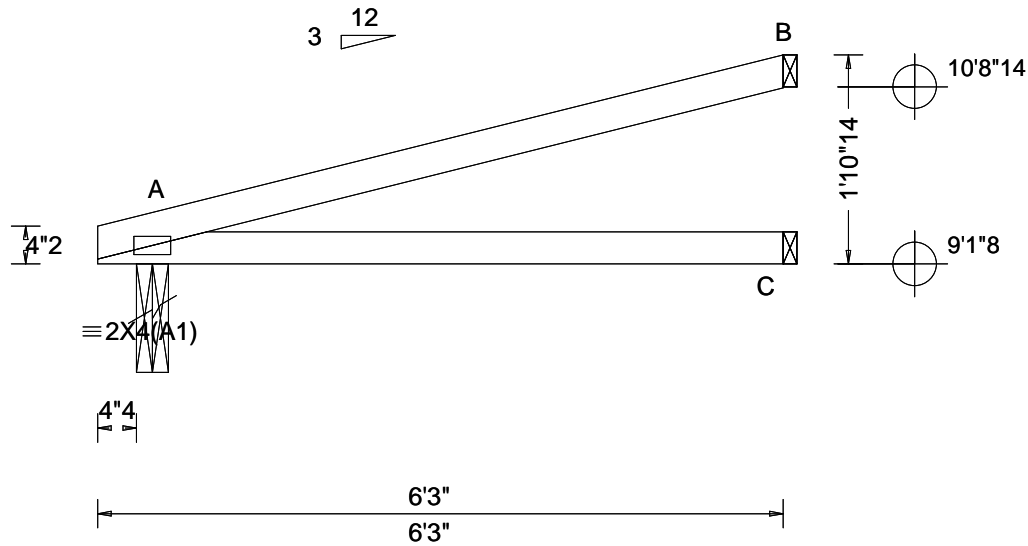


COA #0278

Florida Certificate of Product Approval #FL 1999

****WARNING**** READ AND FOLLOW ALL NOTES ON THIS DRAWING!
****IMPORTANT**** FURNISH THIS DRAWING TO ALL CONTRACTORS INCLUDING THE INSTALLERS
 Trusses require extreme care in fabricating, handling, shipping, installing and bracing. Refer to and follow the latest edition of BCSI (Building Component Safety Information, by TPI and SBCA) for safety practices prior to performing these functions. Installers shall provide temporary bracing per BCSI. Unless noted otherwise, top chord shall have properly attached structural sheathing and bottom chord shall have a properly attached rigid ceiling. Locations shown for permanent lateral restraint of webs shall have continuous lateral restraint (CLR), installed with diagonal bracing installed on the CLR per BCSI sections B3, B7, or B10, as applicable. Apply plates to each face of truss and position as shown above and on the Joint Details, unless noted otherwise. Refer to drawings 160A-Z for standard plate positions. Refer to job's General Notes page for additional information.
 Alpine, a division of ITW Building Components Group Inc. shall not be responsible for any deviation from this drawing, any failure to build the truss in conformance with ANSI/TPI 1, or for handling, shipping, installation and bracing of trusses. A seal on this drawing or cover page listing this drawing, indicates acceptance of professional engineering responsibility solely for the design shown. The suitability and use of this drawing for any structure is the responsibility of the Building Designer per ANSI/TPI 1 Sec.2.
 For more information see these web sites: Alpine: alpineitw.com; TPI: tpinst.org; SBCA: sbcacomponents.com; ICC: iccsafe.org; AWC: awc.org





Loading Criteria (psf)	Wind Criteria	Snow Criteria (Pg,Pf in PSF)	Defl/CSI Criteria	▲ Maximum Reactions (lbs)						
				Gravity			Non-Gravity			
TCLL: 20.00	Wind Std: ASCE 7-22	Pg: NA Ct: NA CAT: NA	PP Deflection in loc L/defl L/#	Loc	R+	/R-	/Rh	/Rw	/U	/RL
TCDL: 10.00	Speed: 130 mph	Pf: NA Ce: NA	VERT(LL): NA	A	267	-	-	/138	/42	/55
BCLL: 0.00	Enclosure: Enclosed	Lu: NA Cs: NA	VERT(CL): NA	C	110	-	-	/60	-	-
BCDL: 10.00	Risk Category: II	Snow Duration: NA	HORZ(LL): 0.010 A - -	B	161	-	-	/63	/66	-
Des Ld: 40.00	EXP: C Kzt: NA	Building Code:	HORZ(TL): 0.020 A - -	Wind reactions based on MWFRS						
NCBCLL: 10.00	Mean Height: 15.00 ft	FBC 8th Ed. 2023 Res.	Creep Factor: 2.0	A Brg Wid = 3.5 Min Req = 1.5 (Truss)						
Soffit: 2.00	TCDL: 5.0 psf	TPI Std: 2014	Max TC CSI: 0.520	C Brg Wid = 1.5 Min Req = -						
Load Duration: 1.25	BCDL: 5.0 psf	Rep Fac: Yes	Max BC CSI: 0.363	B Brg Wid = 1.5 Min Req = -						
Spacing: 24.0 "	MWFRS Parallel Dist: h/2 to h	FT/RT:20(0)/10(0)	Max Web CSI: 0.000	Bearing A is a rigid surface.						
	C&C Dist a: 3.00 ft	Plate Type(s):	VIEW Ver: 24.02.00D.0114.10	Members not listed have forces less than 375#						
	Loc. from endwall: not in 9.00 ft	WAVE								
	GCp1: 0.18									
	Wind Duration: 1.60									

Lumber

Top chord: 2x4 SP #2;
Bot chord: 2x4 SP #2;

Wind

Wind loads based on MWFRS with additional C&C member design.
Left cantilever is exposed to wind
Wind loading based on both gable and hip roof types.

Additional Notes

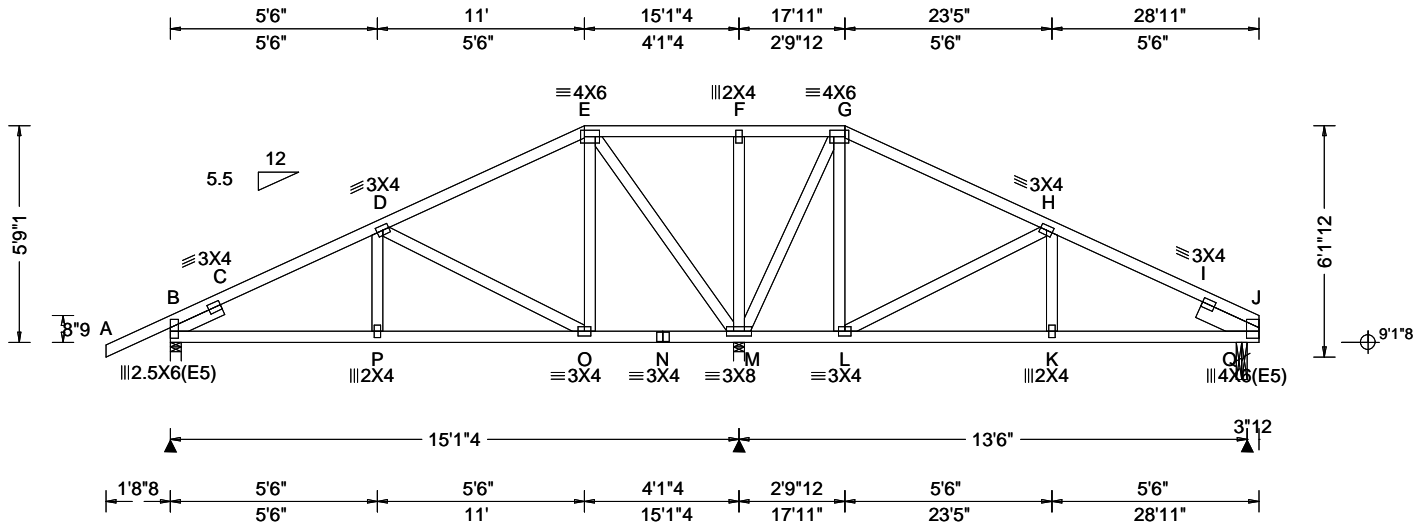
The overall height of this truss excluding overhang is 1-10-14.



COA #0278

01/02/2026
Florida Certificate of Product Approval #FL 1999

****WARNING** READ AND FOLLOW ALL NOTES ON THIS DRAWING!**
****IMPORTANT** FURNISH THIS DRAWING TO ALL CONTRACTORS INCLUDING THE INSTALLERS**
Trusses require extreme care in fabricating, handling, shipping, installing and bracing. Refer to and follow the latest edition of BCSI (Building Component Safety Information, by TPI and SBCA) for safety practices prior to performing these functions. Installers shall provide temporary bracing per BCSI. Unless noted otherwise, top chord shall have properly attached structural sheathing and bottom chord shall have a properly attached rigid ceiling. Locations shown for permanent lateral restraint of webs shall have continuous lateral restraint (CLR), installed with diagonal bracing installed on the CLR per BCSI sections B3, B7, or B10, as applicable. Apply plates to each face of truss and position as shown above and on the Joint Details, unless noted otherwise. Refer to drawings 160A-Z for standard plate positions. Refer to job's General Notes page for additional information.
Alpine, a division of ITW Building Components Group Inc. shall not be responsible for any deviation from this drawing, any failure to build the truss in conformance with ANSI/TPI 1, or for handling, shipping, installation and bracing of trusses. A seal on this drawing or cover page listing this drawing, indicates acceptance of professional engineering responsibility solely for the design shown. The suitability and use of this drawing for any structure is the responsibility of the Building Designer per ANSI/TPI 1 Sec.2.
For more information see these web sites: Alpine: alpineitw.com; TPI: tpinst.org; SBCA: sbccomponents.com; ICC: iccsafe.org; AWC: awc.org



Loading Criteria (psf) TCCL: 20.00 TCCL: 10.00 BCLL: 0.00 BCDL: 10.00 Des Ld: 40.00 NCBCLL: 10.00 Soffit: 2.00 Load Duration: 1.25 Spacing: 24.0 "	Wind Criteria Wind Std: ASCE 7-22 Speed: 130 mph Enclosure: Enclosed Risk Category: II EXP: C Kzt: NA Mean Height: 15.00 ft TCCL: 5.0 psf BCDL: 5.0 psf MWFRS Parallel Dist: h/2 to h C&C Dist a: 3.00 ft Loc. from endwall: not in 9.00 ft GCp: 0.18 Wind Duration: 1.60	Snow Criteria (Pg,Pf in PSF) Pg: NA Ct: NA CAT: NA Pf: NA Ce: NA Lu: NA Cs: NA Snow Duration: NA Building Code: FBC 8th Ed. 2023 Res. TPI Std: 2014 Rep Fac: Yes FT/RT:20(0)/10(0) Plate Type(s): WAVE	Defl/CSI Criteria PP Deflection in loc L/defl L/# VERT(LL): 0.031 999 360 VERT(CL): 0.062 999 240 HORZ(LL): -0.010 - - HORZ(TL): 0.023 - - Creep Factor: 2.0 Max TC CSI: 0.539 Max BC CSI: 0.300 Max Web CSI: 0.625 VIEW Ver: 24.02.00D.0114.10	▲ Maximum Reactions (lbs) Gravity Non-Gravity Loc R+ / R- / Rh / Rw / U / RL B 608 /- /- /300 /114 /141 M 1527 /- /- /800 /268 /- Q 433 /- /- /269 /68 /- Wind reactions based on MWFRS B Brg Wid = 3.5 Min Req = 1.5 (Truss) M Brg Wid = 3.5 Min Req = 1.5 (Truss) Q Brg Wid = 3.5 Min Req = 1.5 (Truss) Bearings B, M, & Q are a rigid surface. Members not listed have forces less than 375# Maximum Top Chord Forces Per Ply (lbs) Chords Tens.Comp. Chords Tens. Comp.					
				B - C 202 -733 F - G 434 -1 C - D 168 -649 H - I 130 -559 E - F 434 -1 I - J 261 -720 Maximum Bot Chord Forces Per Ply (lbs) Chords Tens.Comp. Chords Tens. Comp. B - P 552 -122 L - K 476 -70 P - O 547 -123 K - J 481 -69 Maximum Web Forces Per Ply (lbs) Webs Tens.Comp. Webs Tens. Comp. D - O 192 -544 M - G 186 -664 E - O 387 -40 L - H 207 -587 E - M 230 -731					

Lumber

Top chord: 2x4 SP #2;
 Bot chord: 2x4 SP #2;
 Webs: 2x4 SP #3;
 Lt Slider: 2x4 SP #3; block length = 1.500'
 Rt Slider: 2x6 SP #2; block length = 1.682'

Wind

Wind loads based on MWFRS with additional C&C member design.
 Right cantilever is exposed to wind
 Wind loading based on both gable and hip roof types.

Additional Notes

The overall height of this truss excluding overhang is 5-9-1.

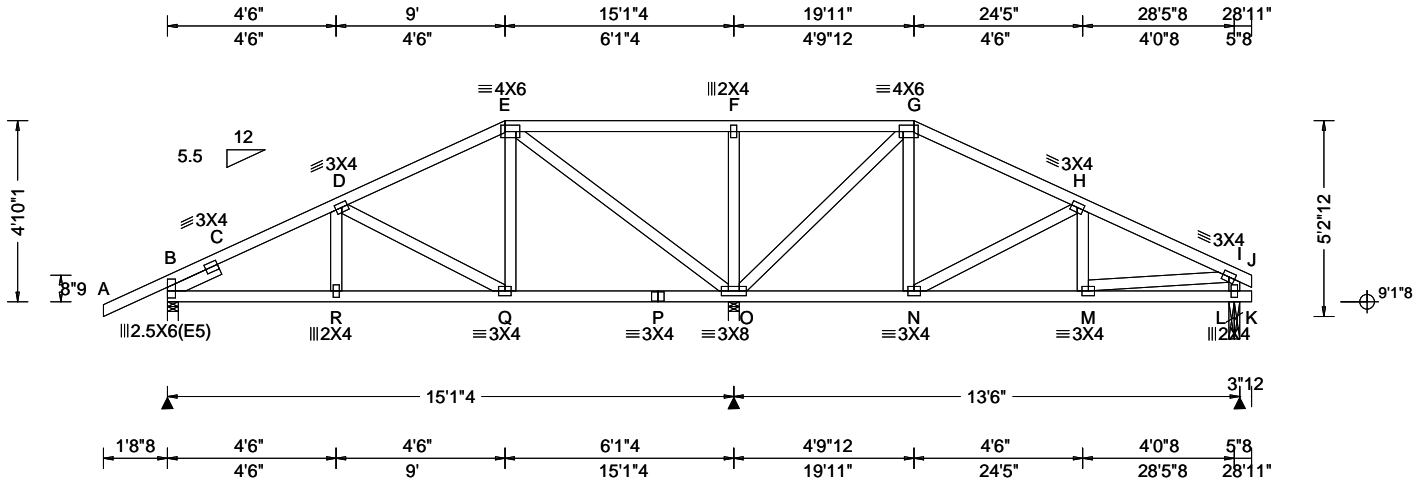


COA #0278

Florida Certificate of Product Approval #FL 1999

****WARNING** READ AND FOLLOW ALL NOTES ON THIS DRAWING!**
****IMPORTANT** FURNISH THIS DRAWING TO ALL CONTRACTORS INCLUDING THE INSTALLERS**
 Trusses require extreme care in fabricating, handling, shipping, installing and bracing. Refer to and follow the latest edition of BCSI (Building Component Safety Information, by TPI and SBCA) for safety practices prior to performing these functions. Installers shall provide temporary bracing per BCSI. Unless noted otherwise, top chord shall have properly attached structural sheathing and bottom chord shall have a properly attached rigid ceiling. Locations shown for permanent lateral restraint of webs shall have continuous lateral restraint (CLR), installed with diagonal bracing installed on the CLR per BCSI sections B3, B7, or B10, as applicable. Apply plates to each face of truss and position as shown above and on the Joint Details, unless noted otherwise. Refer to drawings 160A-Z for standard plate positions. Refer to job's General Notes page for additional information.
 Alpine, a division of ITW Building Components Group Inc. shall not be responsible for any deviation from this drawing, any failure to build the truss in conformance with ANSI/TPI 1, or for handling, shipping, installation and bracing of trusses. A seal on this drawing or cover page listing this drawing, indicates acceptance of professional engineering responsibility solely for the design shown. The suitability and use of this drawing for any structure is the responsibility of the Building Designer per ANSI/TPI 1 Sec.2.
 For more information see these web sites: Alpine: alpineitw.com; TPI: tpinst.org; SBCA: sbccomponents.com; ICC: iccsafe.org; AWC: awc.org





Loading Criteria (psf) TCLL: 20.00 TCDL: 10.00 BCLL: 0.00 BCDL: 10.00 Des Ld: 40.00 NCBCLL: 10.00 Soffit: 2.00 Load Duration: 1.25 Spacing: 24.0 "	Wind Criteria Wind Std: ASCE 7-22 Speed: 130 mph Enclosure: Enclosed Risk Category: II EXP: C Kzt: NA Mean Height: 15.00 ft TCDL: 5.0 psf BCDL: 5.0 psf MWFRS Parallel Dist: h/2 to h C&C Dist a: 3.00 ft Loc. from endwall: not in 9.00 ft GCp: 0.18 Wind Duration: 1.60	Snow Criteria (Pg,Pf in PSF) Pg: NA Ct: NA CAT: NA Pf: NA Ce: NA Lu: NA Cs: NA Snow Duration: NA Building Code: FBC 8th Ed. 2023 Res. TPI Std: 2014 Rep Fac: Yes FT/RT:20(0)/10(0) Plate Type(s): WAVE	Defl/CSI Criteria PP Deflection in loc L/defl L/# VERT(LL): 0.016 D 999 360 VERT(CL): 0.031 R 999 240 HORZ(LL): 0.007 L - - HORZ(TL): 0.013 I - - Creep Factor: 2.0 Max TC CSI: 0.565 Max BC CSI: 0.285 Max Web CSI: 0.818 VIEW Ver: 24.02.00D.0114.10	▲ Maximum Reactions (lbs) Gravity Loc R+ / R- / Rh / Rw / U / RL Non-Gravity B 627 /- /- /312 /111 /115 O 1470 /- /- /758 /278 /- L 457 /- /- /275 /69 /- Wind reactions based on MWFRS B Brg Wid = 3.5 Min Req = 1.5 (Truss) O Brg Wid = 3.5 Min Req = 1.5 (Truss) L Brg Wid = 3.5 Min Req = 1.5 (Truss) Bearings B, O, & L are a rigid surface. Members not listed have forces less than 375# Maximum Top Chord Forces Per Ply (lbs) Chords Tens.Comp. Chords Tens. Comp. B - C 210 -748 F - G 408 -51 C - D 202 -711 H - I 146 -602 E - F 408 -51 Maximum Bot Chord Forces Per Ply (lbs) Chords Tens.Comp. Chords Tens. Comp. B - R 612 -156 N - M 504 -96 R - Q 608 -157 Maximum Web Forces Per Ply (lbs) Webs Tens.Comp. Webs Tens. Comp. D - Q 155 -389 N - H 163 -407 E - O 282 -775 M - I 478 -84 F - O 409 -430 I - L 127 -421 O - G 228 -666
--------------------------------------------------------------------------------------------------------------------------------------------------------------------------------------	-------------------------------------------------------------------------------------------------------------------------------------------------------------------------------------------------------------------------------------------------------------------------------------------------------------------------	----------------------------------------------------------------------------------------------------------------------------------------------------------------------------------------------------------------------------------------------------	-------------------------------------------------------------------------------------------------------------------------------------------------------------------------------------------------------------------------------------------------------------------------------------------------	-----------------------------------------------------------------------------------------------------------------------------------------------------------------------------------------------------------------------------------------------------------------------------------------------------------------------------------------------------------------------------------------------------------------------------------------------------------------------------------------------------------------------------------------------------------------------------------------------------------------------------------------------------------------------------------------------------------------------------------------------------------------------------------------------------------------------------------------------------------------------------------------------------------------------------------------------------------------------------

Lumber
Top chord: 2x4 SP #2;
Bot chord: 2x4 SP #2;
Webs: 2x4 SP #3;
Lt Slider: 2x4 SP #3; block length = 1.500'

Wind
Wind loads based on MWFRS with additional C&C member design.
Right end vertical not exposed to wind pressure.
Right cantilever is exposed to wind
Wind loading based on both gable and hip roof types.

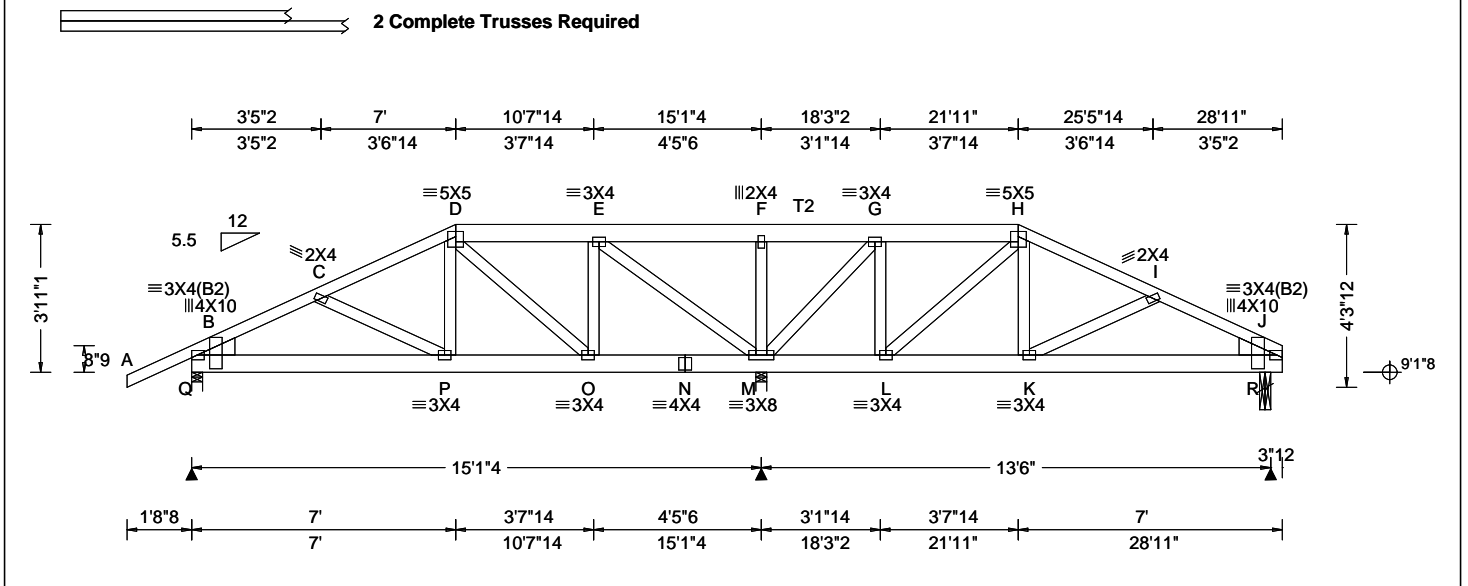
Additional Notes
The overall height of this truss excluding overhang is 4-10-1.



COA #0278
01/02/2026
Florida Certificate of Product Approval #FL 1999

****WARNING** READ AND FOLLOW ALL NOTES ON THIS DRAWING!**
****IMPORTANT** FURNISH THIS DRAWING TO ALL CONTRACTORS INCLUDING THE INSTALLERS**
Trusses require extreme care in fabricating, handling, shipping, installing and bracing. Refer to and follow the latest edition of BCSI (Building Component Safety Information, by TPI and SBCA) for safety practices prior to performing these functions. Installers shall provide temporary bracing per BCSI. Unless noted otherwise, top chord shall have properly attached structural sheathing and bottom chord shall have a properly attached rigid ceiling. Locations shown for permanent lateral restraint of webs shall have continuous lateral restraint (CLR), installed with diagonal bracing installed on the CLR per BCSI sections B3, B7, or B10, as applicable. Apply plates to each face of truss and position as shown above and on the Joint Details, unless noted otherwise. Refer to drawings 160A-Z for standard plate positions. Refer to job's General Notes page for additional information.
Alpine, a division of ITW Building Components Group Inc. shall not be responsible for any deviation from this drawing, any failure to build the truss in conformance with ANSI/TPI 1, or for handling, shipping, installation and bracing of trusses. A seal on this drawing or cover page listing this drawing, indicates acceptance of professional engineering responsibility solely for the design shown. The suitability and use of this drawing for any structure is the responsibility of the Building Designer per ANSI/TPI 1 Sec.2.
For more information see these web sites: Alpine: alpineitw.com; TPI: tpinst.org; SBCA: sbccomponents.com; ICC: iccsafe.org; AWC: awc.org





Loading Criteria (psf) TCLL: 20.00 TC DL: 10.00 BCLL: 0.00 BCDL: 10.00 Des Ld: 40.00 NCBCLL: 0.00 Soffit: 2.00 Load Duration: 1.25 Spacing: 24.0 "	Wind Criteria Wind Std: ASCE 7-22 Speed: 130 mph Enclosure: Enclosed Risk Category: II EXP: C Kzt: NA Mean Height: 15.00 ft TC DL: 5.0 psf BCDL: 5.0 psf MWFRS Parallel Dist: 0 to h/2 C&C Dist a: 3.00 ft Loc. from endwall: not in 4.50 ft GCp: 0.18 Wind Duration: 1.60	Snow Criteria (Pg,Pf in PSF) Pg: NA Ct: NA CAT: NA Pf: NA Ce: NA Lu: NA Cs: NA Snow Duration: NA Building Code: FBC 8th Ed. 2023 Res. TPI Std: 2014 Rep Fac: Varies by Ld Case FT/RT:20(0)/10(0) Plate Type(s): WAVE	Defl/CSI Criteria PP Deflection in loc L/defl L/# VERT(LL): 0.018 P 999 360 VERT(CL): 0.035 P 999 240 HORZ(LL): 0.007 J - - HORZ(TL): 0.012 J - - Creep Factor: 2.0 Max TC CSI: 0.241 Max BC CSI: 0.226 Max Web CSI: 0.410 VIEW Ver: 24.02.00D.0114.10	▲ Maximum Reactions (lbs) Gravity Non-Gravity Loc R+ / R- / Rh / Rw / U / RL					
				Q 1032 - / - / - / 240 - / - M 3744 - / - / - / 541 - / - R 670 - / - / - / 11 - / - Wind reactions based on MWFRS Q Brg Wid = 3.5 Min Req = 1.5 (Truss) M Brg Wid = 3.5 Min Req = 1.8 (Truss) R Brg Wid = 3.5 Min Req = 1.5 (Truss) Bearings Q, M, & R are a rigid surface. Members not listed have forces less than 375# Maximum Top Chord Forces Per Ply (lbs) Chords Tens.Comp. Chords Tens. Comp.					

Lumber
 Top chord: 2x4 SP #2; T2 2x6 SP #2;
 Bot chord: 2x6 SP #2;
 Webs: 2x4 SP #3;
 Lt Wedge: 2x6 SP #2; Rt Wedge: 2x6 SP #2;

Nailnote
 Nail Schedule: 0.128"x3", min. nails
 Top Chord: 1 Row @ 12.00" o.c.
 Bot Chord: 1 Row @ 12.00" o.c.
 Webs : 1 Row @ 4" o.c.
 Use equal spacing between rows and stagger nails in each row to avoid splitting.

Wind
 Wind loads and reactions based on MWFRS.
 Right cantilever is exposed to wind
 Wind loading based on both gable and hip roof types.

Maximum Bot Chord Forces Per Ply (lbs)

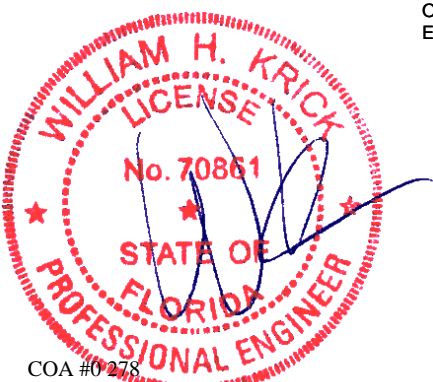
Chords	Tens.Comp.	Chords	Tens. Comp.
B - P	662 -153	K - J	421 0
P - O	595 -135		

Maximum Web Forces Per Ply (lbs)

Webs	Tens.Comp.	Webs	Tens. Comp.
D - O	68 -382	M - G	46 -830
O - E	452 -21	G - L	460 -1
E - M	249 -1137	L - H	56 -491

Special Loads
 -----(Lumber Dur.Fac.=1.25 / Plate Dur.Fac.=1.25)

TC: From 62 plf at -1.71 to 62 plf at 7.00
TC: From 31 plf at 7.00 to 31 plf at 21.92
TC: From 62 plf at 21.92 to 62 plf at 28.92
BC: From 4 plf at -1.71 to 4 plf at 0.00
BC: From 20 plf at 0.00 to 20 plf at 7.04
BC: From 10 plf at 7.04 to 10 plf at 21.87
BC: From 20 plf at 21.87 to 20 plf at 28.92
TC: 278 lb Conc. Load at 7.04
TC: 192 lb Conc. Load at 9.02,11.02,13.02,14.46
TC: 168 lb Conc. Load at 15.90,17.90,19.90
TC: 256 lb Conc. Load at 21.87
BC: 466 lb Conc. Load at 7.04
BC: 132 lb Conc. Load at 9.02,11.02,13.02,14.46
BC: 126 lb Conc. Load at 15.90,17.90,19.90
BC: 339 lb Conc. Load at 21.87

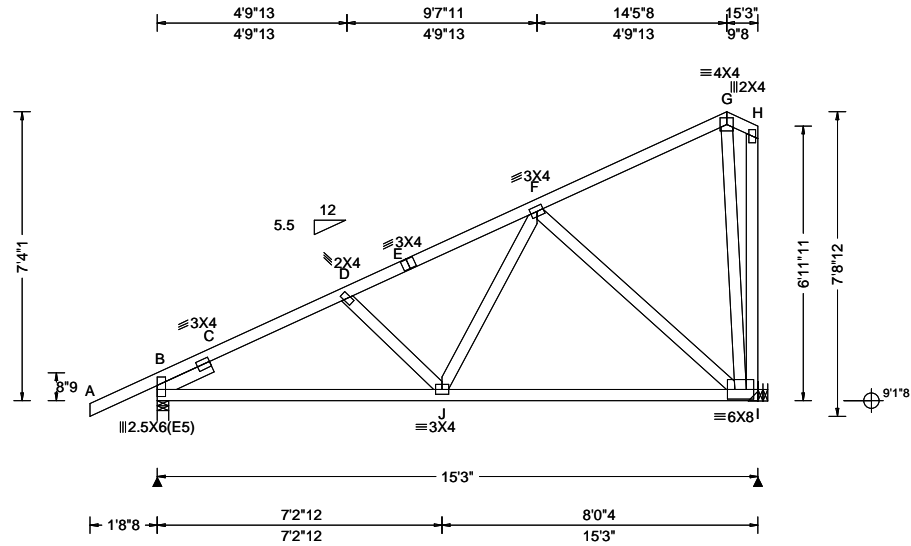


Additional Notes
 The overall height of this truss excluding overhang is 3-11-1.

COA #0 278
 Florida Certificate of Product Approval #FL 1999

****WARNING** READ AND FOLLOW ALL NOTES ON THIS DRAWING!**
****IMPORTANT** FURNISH THIS DRAWING TO ALL CONTRACTORS INCLUDING THE INSTALLERS**
 Trusses require extreme care in fabricating, handling, shipping, installing and bracing. Refer to and follow the latest edition of BCSI (Building Component Safety Information, by TPI and SBCA) for safety practices prior to performing these functions. Installers shall provide temporary bracing per BCSI. Unless noted otherwise, top chord shall have properly attached structural sheathing and bottom chord shall have a properly attached rigid ceiling. Locations shown for permanent lateral restraint of webs shall have continuous lateral restraint (CLR), installed with diagonal bracing installed on the CLR per BCSI sections B3, B7, or B10, as applicable. Apply plates to each face of truss and position as shown above and on the Joint Details, unless noted otherwise. Refer to drawings 160A-Z for standard plate positions. Refer to job's General Notes page for additional information.
 Alpine, a division of ITW Building Components Group Inc. shall not be responsible for any deviation from this drawing, any failure to build the truss in conformance with ANSI/TPI 1, or for handling, shipping, installation and bracing of trusses. A seal on this drawing or cover page listing this drawing, indicates acceptance of professional engineering responsibility solely for the design shown. The suitability and use of this drawing for any structure is the responsibility of the Building Designer per ANSI/TPI 1 Sec.2.
 For more information see these web sites: Alpine: alpineitw.com; TPI: tpinst.org; SBCA: sbccomponents.com; ICC: iccsafe.org; AWC: awc.org





Loading Criteria (psf) TCLL: 20.00 TCDL: 10.00 BCLL: 0.00 BCDL: 10.00 Des Ld: 40.00 NCBCLL: 10.00 Soffit: 2.00 Load Duration: 1.25 Spacing: 24.0 "	Wind Criteria Wind Std: ASCE 7-22 Speed: 130 mph Enclosure: Enclosed Risk Category: II EXP: C Kzt: NA Mean Height: 15.00 ft TCDL: 5.0 psf BCDL: 5.0 psf MWFRS Parallel Dist: h to 2h C&C Dist a: 3.00 ft Loc. from endwall: not in 9.00 ft GCp: 0.18 Wind Duration: 1.60	Snow Criteria (Pg,Pf in PSF) Pg: NA Ct: NA CAT: NA Pf: NA Ce: NA Lu: NA Cs: NA Snow Duration: NA Building Code: FBC 8th Ed. 2023 Res. TPI Std: 2014 Rep Fac: Yes FT/RT:20(0)/10(0) Plate Type(s): WAVE	Defl/CSI Criteria PP Deflection in loc L/defl L/# VERT(LL): 0.018 J 999 360 VERT(CL): 0.037 J 999 240 HORZ(LL): 0.007 I - - HORZ(TL): 0.015 I - - Creep Factor: 2.0 Max TC CSI: 0.301 Max BC CSI: 0.741 Max Web CSI: 0.588 VIEW Ver: 24.02.00D.0114.10	▲ Maximum Reactions (lbs)																																																				
				<table style="width:100%; border-collapse: collapse;"> <thead> <tr> <th colspan="3">Gravity</th> <th colspan="3">Non-Gravity</th> </tr> <tr> <th>Loc</th> <th>R+</th> <th>/R-</th> <th>/Rh</th> <th>/Rw</th> <th>/U</th> <th>/RL</th> </tr> </thead> <tbody> <tr> <td>B</td> <td>745</td> <td>-</td> <td>-</td> <td>/398</td> <td>/13</td> <td>/186</td> </tr> <tr> <td>I</td> <td>619</td> <td>-</td> <td>-</td> <td>/420</td> <td>/66</td> <td>-</td> </tr> </tbody> </table> <p>Wind reactions based on MWFRS B Brg Wid = 3.5 Min Req = 1.5 (Truss) I Brg Wid = - Min Req = - Bearing B is a rigid surface. Members not listed have forces less than 375#</p> <table style="width:100%; border-collapse: collapse;"> <thead> <tr> <th colspan="6">Maximum Top Chord Forces Per Ply (lbs)</th> </tr> <tr> <th>Chords</th> <th>Tens.Comp.</th> <th>Chords</th> <th>Tens. Comp.</th> <th>Chords</th> <th>Tens. Comp.</th> </tr> </thead> <tbody> <tr> <td>B - C</td> <td>191</td> <td>-1035</td> <td>D - E</td> <td>102</td> <td>-767</td> </tr> <tr> <td>C - D</td> <td>152</td> <td>-935</td> <td>E - F</td> <td>117</td> <td>-725</td> </tr> </tbody> </table>						Gravity			Non-Gravity			Loc	R+	/R-	/Rh	/Rw	/U	/RL	B	745	-	-	/398	/13	/186	I	619	-	-	/420	/66	-	Maximum Top Chord Forces Per Ply (lbs)						Chords	Tens.Comp.	Chords	Tens. Comp.	Chords	Tens. Comp.	B - C	191	-1035	D - E	102	-767	C - D	152
Gravity			Non-Gravity																																																					
Loc	R+	/R-	/Rh	/Rw	/U	/RL																																																		
B	745	-	-	/398	/13	/186																																																		
I	619	-	-	/420	/66	-																																																		
Maximum Top Chord Forces Per Ply (lbs)																																																								
Chords	Tens.Comp.	Chords	Tens. Comp.	Chords	Tens. Comp.																																																			
B - C	191	-1035	D - E	102	-767																																																			
C - D	152	-935	E - F	117	-725																																																			

Lumber
Top chord: 2x4 SP #2;
Bot chord: 2x4 SP #2;
Webs: 2x4 SP #3;
Lt Slider: 2x4 SP #3; block length = 1.500'

Hangers / Ties
Hanger Support Required, by others

Wind
Wind loads based on MWFRS with additional C&C member design.
Right end vertical not exposed to wind pressure.
Wind loading based on both gable and hip roof types.

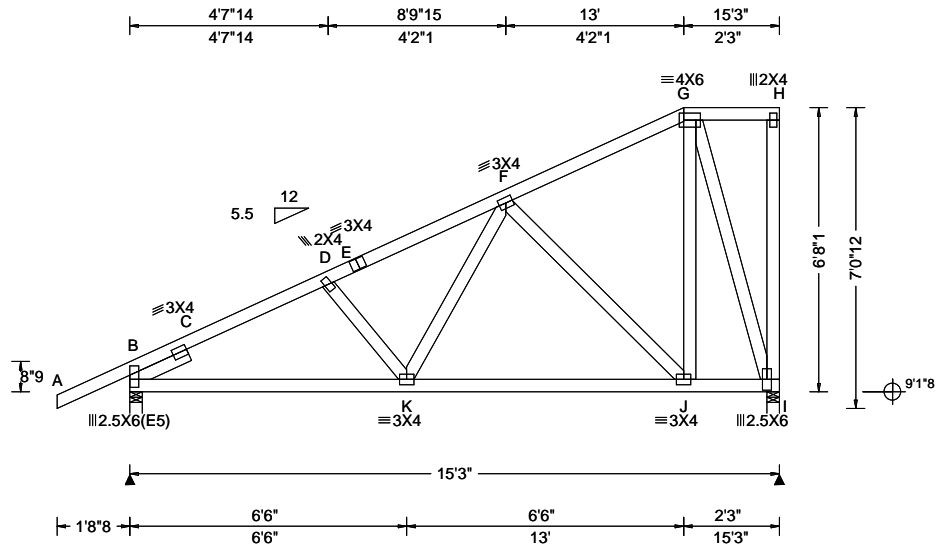
Additional Notes
The overall height of this truss excluding overhang is 7-4-1.



COA #0278
01/02/2026
Florida Certificate of Product Approval #FL 1999

****WARNING** READ AND FOLLOW ALL NOTES ON THIS DRAWING!**
****IMPORTANT** FURNISH THIS DRAWING TO ALL CONTRACTORS INCLUDING THE INSTALLERS**
Trusses require extreme care in fabricating, handling, shipping, installing and bracing. Refer to and follow the latest edition of BCSI (Building Component Safety Information, by TPI and SBCA) for safety practices prior to performing these functions. Installers shall provide temporary bracing per BCSI. Unless noted otherwise, top chord shall have properly attached structural sheathing and bottom chord shall have a properly attached rigid ceiling. Locations shown for permanent lateral restraint of webs shall have continuous lateral restraint (CLR), installed with diagonal bracing installed on the CLR per BCSI sections B3, B7, or B10, as applicable. Apply plates to each face of truss and position as shown above and on the Joint Details, unless noted otherwise. Refer to drawings 160A-Z for standard plate positions. Refer to job's General Notes page for additional information.
Alpine, a division of ITW Building Components Group Inc. shall not be responsible for any deviation from this drawing, any failure to build the truss in conformance with ANSI/TPI 1, or for handling, shipping, installation and bracing of trusses. A seal on this drawing or cover page listing this drawing, indicates acceptance of professional engineering responsibility solely for the design shown. The suitability and use of this drawing for any structure is the responsibility of the Building Designer per ANSI/TPI 1 Sec.2.
For more information see these web sites: Alpine: alpineitw.com; TPI: tpinst.org; SBCA: sbccomponents.com; ICC: iccsafe.org; AWC: awc.org



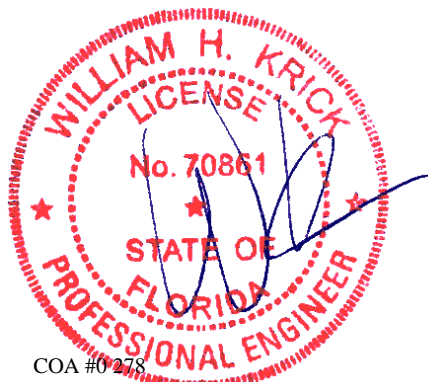


Loading Criteria (psf) TCLL: 20.00 TCDL: 10.00 BCLL: 0.00 BCDL: 10.00 Des Ld: 40.00 NCBCLL: 10.00 Soffit: 2.00 Load Duration: 1.25 Spacing: 24.0 "	Wind Criteria Wind Std: ASCE 7-22 Speed: 130 mph Enclosure: Enclosed Risk Category: II EXP: C Kzt: NA Mean Height: 15.00 ft TCDL: 5.0 psf BCDL: 5.0 psf MWFRS Parallel Dist: h/2 to h C&C Dist a: 3.00 ft Loc. from endwall: not in 9.00 ft GCp: 0.18 Wind Duration: 1.60	Snow Criteria (Pg,Pf in PSF) Pg: NA Ct: NA CAT: NA Pf: NA Ce: NA Lu: NA Cs: NA Snow Duration: NA Building Code: FBC 8th Ed. 2023 Res. TPI Std: 2014 Rep Fac: Yes FT/RT:20(0)/10(0) Plate Type(s): WAVE	Defl/CSI Criteria PP Deflection in loc L/defl L/# VERT(LL): 0.020 K 999 360 VERT(CL): 0.040 K 999 240 HORZ(LL): 0.007 I - - HORZ(TL): 0.014 I - - Creep Factor: 2.0 Max TC CSI: 0.218 Max BC CSI: 0.443 Max Web CSI: 0.491 VIEW Ver: 24.02.00D.0114.10	▲ Maximum Reactions (lbs) Gravity Non-Gravity Loc R+ / R- / Rh / Rw / U / RL B 745 -/- /- /402 /96 /233 I 619 -/- /- /404 /156 -/ Wind reactions based on MWFRS B Brg Wid = 3.5 Min Req = 1.5 (Truss) I Brg Wid = 3.5 Min Req = 1.5 (Truss) Bearings B & I are a rigid surface. Members not listed have forces less than 375# Maximum Top Chord Forces Per Ply (lbs) Chords Tens.Comp. Chords Tens. Comp. B - C 216 -1029 D - E 160 -801 C - D 189 -932 E - F 176 -781
--------------------------------------------------------------------------------------------------------------------------------------------------------------------------------------	-------------------------------------------------------------------------------------------------------------------------------------------------------------------------------------------------------------------------------------------------------------------------------------------------------------------------	----------------------------------------------------------------------------------------------------------------------------------------------------------------------------------------------------------------------------------------------------	-------------------------------------------------------------------------------------------------------------------------------------------------------------------------------------------------------------------------------------------------------------------------------------------------	-----------------------------------------------------------------------------------------------------------------------------------------------------------------------------------------------------------------------------------------------------------------------------------------------------------------------------------------------------------------------------------------------------------------------------------------------------------------------------------------------------------------------------

Lumber
Top chord: 2x4 SP #2;
Bot chord: 2x4 SP #2;
Webs: 2x4 SP #3;
Lt Slider: 2x4 SP #3; block length = 1.500'

Wind
Wind loads based on MWFRS with additional C&C member design.
Right end vertical not exposed to wind pressure.
Wind loading based on both gable and hip roof types.

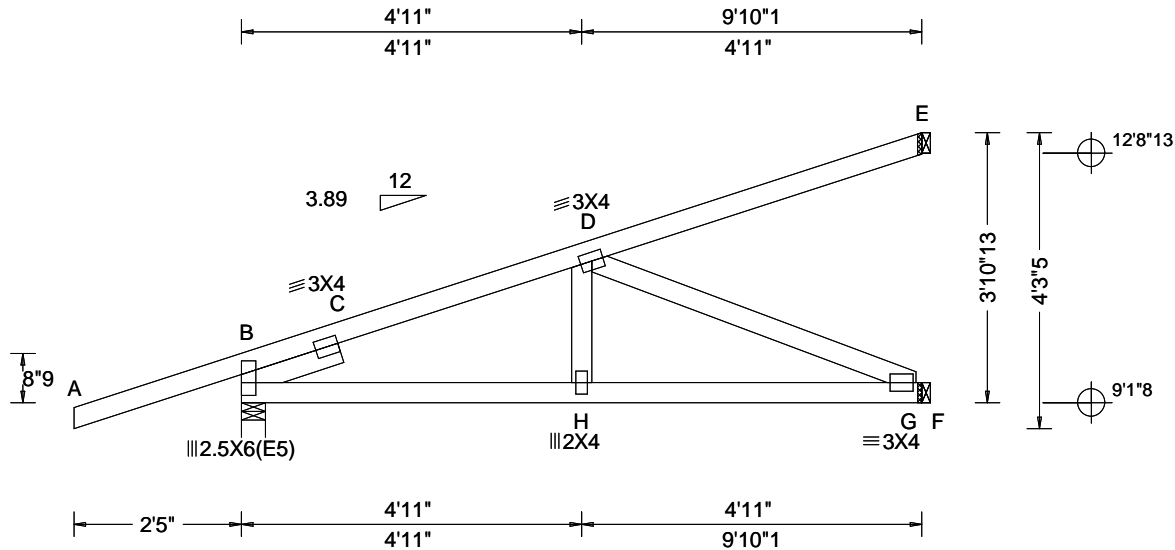
Additional Notes
The overall height of this truss excluding overhang is 6-8-1.



COA #0278
04/02/2026
Florida Certificate of Product Approval #FL 1999

****WARNING** READ AND FOLLOW ALL NOTES ON THIS DRAWING!**
****IMPORTANT** FURNISH THIS DRAWING TO ALL CONTRACTORS INCLUDING THE INSTALLERS**
Trusses require extreme care in fabricating, handling, shipping, installing and bracing. Refer to and follow the latest edition of BCSI (Building Component Safety Information, by TPI and SBCA) for safety practices prior to performing these functions. Installers shall provide temporary bracing per BCSI. Unless noted otherwise, top chord shall have properly attached structural sheathing and bottom chord shall have a properly attached rigid ceiling. Locations shown for permanent lateral restraint of webs shall have continuous lateral restraint (CLR), installed with diagonal bracing installed on the CLR per BCSI sections B3, B7, or B10, as applicable. Apply plates to each face of truss and position as shown above and on the Joint Details, unless noted otherwise. Refer to drawings 160A-Z for standard plate positions. Refer to job's General Notes page for additional information.
Alpine, a division of ITW Building Components Group Inc. shall not be responsible for any deviation from this drawing, any failure to build the truss in conformance with ANSI/TPI 1, or for handling, shipping, installation and bracing of trusses. A seal on this drawing or cover page listing this drawing, indicates acceptance of professional engineering responsibility solely for the design shown. The suitability and use of this drawing for any structure is the responsibility of the Building Designer per ANSI/TPI 1 Sec.2.
For more information see these web sites: Alpine: alpineitw.com; TPI: tpinst.org; SBCA: sbccomponents.com; ICC: iccsafe.org; AWC: awc.org





Loading Criteria (psf) TCLL: 20.00 TCDL: 10.00 BCLL: 0.00 BCDL: 10.00 Des Ld: 40.00 NCBCLL: 10.00 Soffit: 2.00 Load Duration: 1.25 Spacing: 24.0 "	Wind Criteria Wind Std: ASCE 7-22 Speed: 130 mph Enclosure: Enclosed Risk Category: II EXP: C Kzt: NA Mean Height: 15.00 ft TCDL: 5.0 psf BCDL: 5.0 psf MWFRS Parallel Dist: 0 to h/2 C&C Dist a: 3.00 ft Loc. from endwall: not in 4.50 ft GCp: 0.18 Wind Duration: 1.60	Snow Criteria (Pg,Pf in PSF) Pg: NA Ct: NA CAT: NA Pf: NA Ce: NA Lu: NA Cs: NA Snow Duration: NA Building Code: FBC 8th Ed. 2023 Res. TPI Std: 2014 Rep Fac: Varies by Ld Case FT/RT:20(0)/10(0) Plate Type(s): WAVE	Defl/CSI Criteria PP Deflection in loc L/defl L/# VERT(LL): 0.019 H 999 360 VERT(CL): 0.037 H 999 240 HORZ(LL): -0.008 C - - HORZ(TL): 0.017 C - - Creep Factor: 2.0 Max TC CSI: 0.659 Max BC CSI: 0.628 Max Web CSI: 0.389 VIEW Ver: 24.02.00D.0114.10	▲ Maximum Reactions (lbs) Gravity Loc R+ /R- /Rh /Rw /U /RL B 369 -/ -/ -/ /107 -/ F 334 -/ -/ -/ /54 -/ E 86 -/ -/ -/ /37 -/ Wind reactions based on MWFRS B Brg Wid = 4.2 Min Req = 1.5 (Truss) F Brg Wid = 1.5 Min Req = - E Brg Wid = 1.5 Min Req = - Bearing B is a rigid surface. Members not listed have forces less than 375# Maximum Top Chord Forces Per Ply (lbs) Chords Tens.Comp. Chords Tens. Comp. B - C 163 -704 C - D 153 -703 Maximum Bot Chord Forces Per Ply (lbs) Chords Tens.Comp. Chords Tens. Comp. B - H 656 -146 H - G 644 -148 Maximum Web Forces Per Ply (lbs) Webs Tens.Comp. D - G 162 -701
--------------------------------------------------------------------------------------------------------------------------------------------------------------------------------------	-------------------------------------------------------------------------------------------------------------------------------------------------------------------------------------------------------------------------------------------------------------------------------------------------------------------------	------------------------------------------------------------------------------------------------------------------------------------------------------------------------------------------------------------------------------------------------------------------	--------------------------------------------------------------------------------------------------------------------------------------------------------------------------------------------------------------------------------------------------------------------------------------------------	---------------------------------------------------------------------------------------------------------------------------------------------------------------------------------------------------------------------------------------------------------------------------------------------------------------------------------------------------------------------------------------------------------------------------------------------------------------------------------------------------------------------------------------------------------------------------------------------------------------------------------------------------------------------------------------------------------------------------

Lumber
Top chord: 2x4 SP #2;
Bot chord: 2x4 SP #2;
Webs: 2x4 SP #3;
Lt Slider: 2x4 SP #3; block length = 1.500'

Special Loads
-----(Lumber Dur.Fac.=1.25 / Plate Dur.Fac.=1.25)
TC: From 0 plf at -2.42 to 61 plf at 0.00
TC: From 2 plf at 0.00 to 2 plf at 9.84
BC: From 0 plf at -2.42 to 4 plf at 0.00
BC: From 2 plf at 0.00 to 2 plf at 9.84
TC: -24 lb Conc. Load at 1.32
TC: 117 lb Conc. Load at 4.15
TC: 257 lb Conc. Load at 6.98
BC: 17 lb Conc. Load at 1.32
BC: 108 lb Conc. Load at 4.15
BC: 185 lb Conc. Load at 6.98

Wind
Wind loads and reactions based on MWFRS.
Wind loading based on both gable and hip roof types.

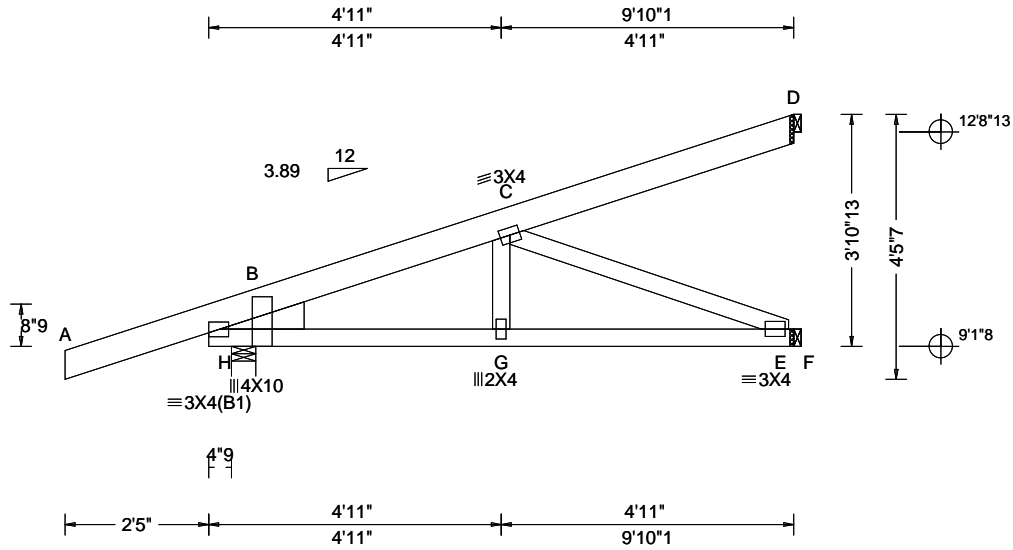
Additional Notes
The overall height of this truss excluding overhang is 3-10-13.



COA #0278
01/03/2026
Florida Certificate of Product Approval #FL 1999

****WARNING** READ AND FOLLOW ALL NOTES ON THIS DRAWING!**
****IMPORTANT** FURNISH THIS DRAWING TO ALL CONTRACTORS INCLUDING THE INSTALLERS**
Trusses require extreme care in fabricating, handling, shipping, installing and bracing. Refer to and follow the latest edition of BCSI (Building Component Safety Information, by TPI and SBCA) for safety practices prior to performing these functions. Installers shall provide temporary bracing per BCSI. Unless noted otherwise, top chord shall have properly attached structural sheathing and bottom chord shall have a properly attached rigid ceiling. Locations shown for permanent lateral restraint of webs shall have continuous lateral restraint (CLR), installed with diagonal bracing installed on the CLR per BCSI sections B3, B7, or B10, as applicable. Apply plates to each face of truss and position as shown above and on the Joint Details, unless noted otherwise. Refer to drawings 160A-Z for standard plate positions. Refer to job's General Notes page for additional information.
Alpine, a division of ITW Building Components Group Inc. shall not be responsible for any deviation from this drawing, any failure to build the truss in conformance with ANSI/TPI 1, or for handling, shipping, installation and bracing of trusses. A seal on this drawing or cover page listing this drawing, indicates acceptance of professional engineering responsibility solely for the design shown. The suitability and use of this drawing for any structure is the responsibility of the Building Designer per ANSI/TPI 1 Sec.2.
For more information see these web sites: Alpine: alpineitw.com; TPI: tpinst.org; SBCA: sbcacomponents.com; ICC: iccsafe.org; AWC: awc.org





Loading Criteria (psf) TCLL: 20.00 TCDL: 10.00 BCLL: 0.00 BCDL: 10.00 Des Ld: 40.00 NCBCLL: 10.00 Soffit: 2.00 Load Duration: 1.25 Spacing: 24.0 "	Wind Criteria Wind Std: ASCE 7-22 Speed: 130 mph Enclosure: Enclosed Risk Category: II EXP: C Kzt: NA Mean Height: 15.00 ft TCDL: 5.0 psf BCDL: 5.0 psf MWFRS Parallel Dist: 0 to h/2 C&C Dist a: 3.00 ft Loc. from endwall: not in 4.50 ft GCp: 0.18 Wind Duration: 1.60	Snow Criteria (Pg,Pf in PSF) Pg: NA Ct: NA CAT: NA Pf: NA Ce: NA Lu: NA Cs: NA Snow Duration: NA Building Code: FBC 8th Ed. 2023 Res. TPI Std: 2014 Rep Fac: Varies by Ld Case FT/RT:20(0)/10(0) Plate Type(s): WAVE	Defl/CSI Criteria PP Deflection in loc L/defl L/# VERT(LL): 0.011 G 999 360 VERT(CL): 0.021 G 999 240 HORZ(LL): -0.005 B - - HORZ(TL): 0.010 B - - Creep Factor: 2.0 Max TC CSI: 0.116 Max BC CSI: 0.494 Max Web CSI: 0.193 VIEW Ver: 24.02.00D.0114.10	▲ Maximum Reactions (lbs) Gravity Loc R+ / R- / Rh / Rw / U / RL Non-Gravity H 392 /- /- /- /146 /- E 214 /-3 /- /34 /- /- D 89 /- /- /2 /- /- Wind reactions based on MWFRS H Brg Wid = 4.9 Min Req = 1.5 (Truss) E Brg Wid = 1.5 Min Req = - D Brg Wid = 1.5 Min Req = - Bearing H is a rigid surface. Members not listed have forces less than 375# Maximum Top Chord Forces Per Ply (lbs) Chords Tens.Comp. B - C 10 -376
--------------------------------------------------------------------------------------------------------------------------------------------------------------------------------------	-------------------------------------------------------------------------------------------------------------------------------------------------------------------------------------------------------------------------------------------------------------------------------------------------------------------------	------------------------------------------------------------------------------------------------------------------------------------------------------------------------------------------------------------------------------------------------------------------	--------------------------------------------------------------------------------------------------------------------------------------------------------------------------------------------------------------------------------------------------------------------------------------------------	------------------------------------------------------------------------------------------------------------------------------------------------------------------------------------------------------------------------------------------------------------------------------------------------------------------------------------------------------------------------------------------------------------------------------------------------------------------------------------------

Lumber

Top chord: 2x6 SP 2400F-2.0E;
Bot chord: 2x4 SP #2;
Webs: 2x4 SP #3;
Lt Wedge: 2x6 SP #2;

Special Loads

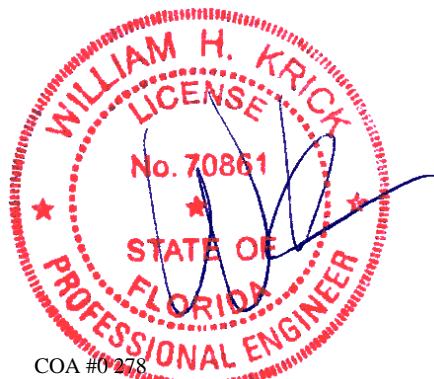
----- (Lumber Dur.Fac.=1.25 / Plate Dur.Fac.=1.25)
TC: From 0 plf at -2.42 to 61 plf at 0.00
TC: From 2 plf at 0.00 to 2 plf at 9.84
BC: From 0 plf at -2.42 to 4 plf at 0.00
BC: From 2 plf at 0.00 to 2 plf at 9.84
TC: 65 lb Conc. Load at -2.42
TC: -31 lb Conc. Load at 1.32
TC: -3 lb Conc. Load at 4.15
TC: 179 lb Conc. Load at 6.98
BC: -17 lb Conc. Load at 1.32
BC: 86 lb Conc. Load at 4.15
BC: 168 lb Conc. Load at 6.98

Wind

Wind loads and reactions based on MWFRS.
Left cantilever is exposed to wind
Wind loading based on both gable and hip roof types.

Additional Notes

The overall height of this truss excluding overhang is 3-10-13.

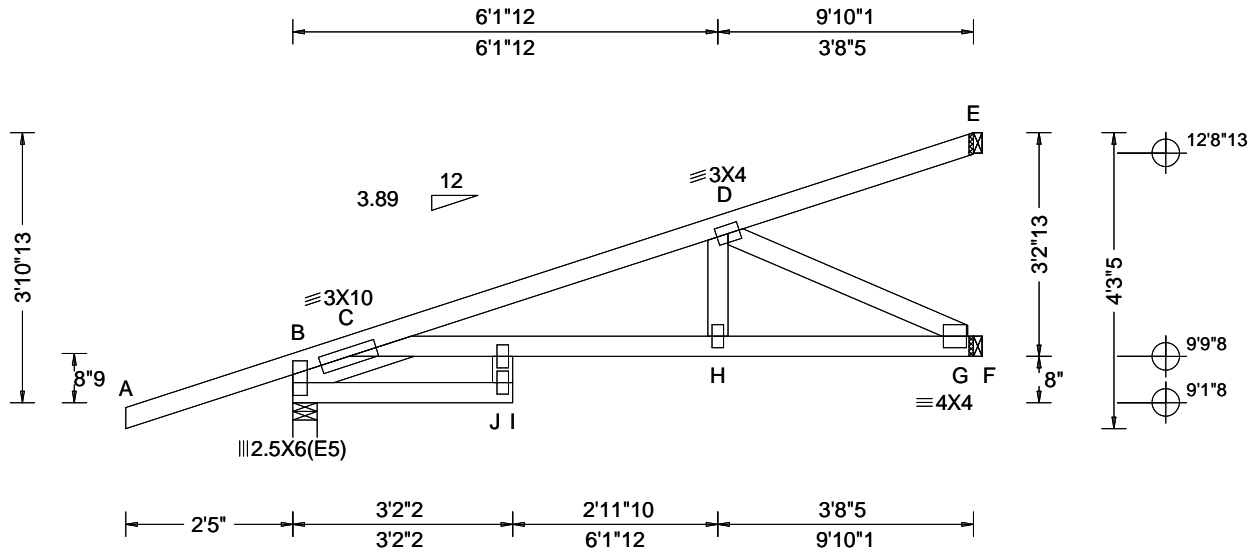


COA #0 278

Florida Certificate of Product Approval #FL 1999

****WARNING** READ AND FOLLOW ALL NOTES ON THIS DRAWING!**
****IMPORTANT** FURNISH THIS DRAWING TO ALL CONTRACTORS INCLUDING THE INSTALLERS**
Trusses require extreme care in fabricating, handling, shipping, installing and bracing. Refer to and follow the latest edition of BCSI (Building Component Safety Information, by TPI and SBCA) for safety practices prior to performing these functions. Installers shall provide temporary bracing per BCSI. Unless noted otherwise, top chord shall have properly attached structural sheathing and bottom chord shall have a properly attached rigid ceiling. Locations shown on the CLR per BCSI sections B3, B7, or B10, as applicable. Apply plates to each face of truss and position as shown above and on the Joint Details, unless noted otherwise. Refer to drawings 160A-Z for standard plate positions. Refer to job's General Notes page for additional information.
Alpine, a division of ITW Building Components Group Inc. shall not be responsible for any deviation from this drawing, any failure to build the truss in conformance with ANSI/TPI 1, or for handling, shipping, installation and bracing of trusses. A seal on this drawing or cover page listing this drawing, indicates acceptance of professional engineering responsibility solely for the design shown. The suitability and use of this drawing for any structure is the responsibility of the Building Designer per ANSI/TPI 1 Sec.2.
For more information see these web sites: Alpine: alpineitw.com; TPI: tpinst.org; SBCA: sbccomponents.com; ICC: iccsafe.org; AWC: awc.org





Loading Criteria (psf) TCLL: 20.00 TCDL: 10.00 BCLL: 0.00 BCDL: 10.00 Des Ld: 40.00 NCBCLL: 10.00 Soffit: 2.00 Load Duration: 1.25 Spacing: 24.0 "	Wind Criteria Wind Std: ASCE 7-22 Speed: 130 mph Enclosure: Enclosed Risk Category: II EXP: C Kzt: NA Mean Height: 15.00 ft TCDL: 5.0 psf BCDL: 5.0 psf MWFRS Parallel Dist: 0 to h/2 C&C Dist a: 3.00 ft Loc. from endwall: not in 4.50 ft GCp: 0.18 Wind Duration: 1.60	Snow Criteria (Pg,Pf in PSF) Pg: NA Ct: NA CAT: NA Pf: NA Ce: NA Lu: NA Cs: NA Snow Duration: NA Building Code: FBC 8th Ed. 2023 Res. TPI Std: 2014 Rep Fac: Varies by Ld Case FT/RT:20(0)/10(0) Plate Type(s): WAVE	Defl/CSI Criteria PP Deflection in loc L/defl L/# VERT(LL): 0.057 I 999 360 VERT(CL): 0.124 I 955 240 HORZ(LL): 0.020 G - - HORZ(TL): 0.045 G - - Creep Factor: 2.0 Max TC CSI: 0.436 Max BC CSI: 0.491 Max Web CSI: 0.110 VIEW Ver: 24.02.00D.0114.10	▲ Maximum Reactions (lbs) Gravity Loc R+ / R- / Rh / Rw / U / RL Non-Gravity B 369 - / - / - / 108 - / - F 398 - / - / - / 85 - / - E 22 - / - / - / 5 - / - Wind reactions based on MWFRS B Brg Wid = 4.2 Min Req = 1.5 (Truss) F Brg Wid = 1.5 Min Req = - E Brg Wid = 1.5 Min Req = - Bearing B is a rigid surface. Members not listed have forces less than 375# Maximum Top Chord Forces Per Ply (lbs) Chords Tens.Comp. C - D 198 -832 Maximum Bot Chord Forces Per Ply (lbs) Chords Tens.Comp. Chords Tens. Comp. C - J 745 -157 H - G 777 -179 J - H 794 -177 Maximum Web Forces Per Ply (lbs) Webs Tens.Comp. D - G 201 -870
--------------------------------------------------------------------------------------------------------------------------------------------------------------------------------------	-------------------------------------------------------------------------------------------------------------------------------------------------------------------------------------------------------------------------------------------------------------------------------------------------------------------------	------------------------------------------------------------------------------------------------------------------------------------------------------------------------------------------------------------------------------------------------------------------	-------------------------------------------------------------------------------------------------------------------------------------------------------------------------------------------------------------------------------------------------------------------------------------------------	---------------------------------------------------------------------------------------------------------------------------------------------------------------------------------------------------------------------------------------------------------------------------------------------------------------------------------------------------------------------------------------------------------------------------------------------------------------------------------------------------------------------------------------------------------------------------------------------------------------------------------------------------------------------------------------------------------------------------------------------

Lumber

Top chord: 2x4 SP #2;
Bot chord: 2x4 SP #2;
Webs: 2x4 SP #3;
Lt Slider: 2x4 SP #3; block length = 1.783'

Special Loads

----(Lumber Dur.Fac.=1.25 / Plate Dur.Fac.=1.25)
TC: From 0 plf at -2.42 to 61 plf at 0.00
TC: From 2 plf at 0.00 to 2 plf at 9.84
BC: From 0 plf at -2.42 to 4 plf at 0.00
BC: From 2 plf at 0.00 to 2 plf at 9.84
TC: -24 lb Conc. Load at 1.32
TC: 120 lb Conc. Load at 4.15
TC: 254 lb Conc. Load at 6.98
BC: 17 lb Conc. Load at 1.32
BC: 105 lb Conc. Load at 4.15
BC: 183 lb Conc. Load at 6.98

Plating Notes

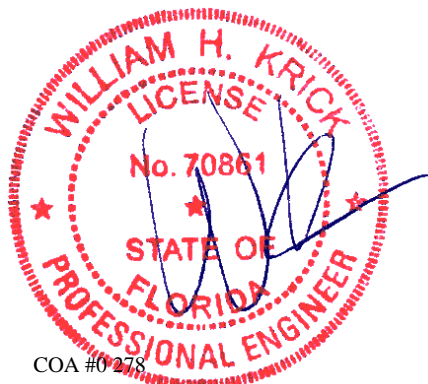
All plates are 2X4 except as noted.

Wind

Wind loads and reactions based on MWFRS.
Wind loading based on both gable and hip roof types.

Additional Notes

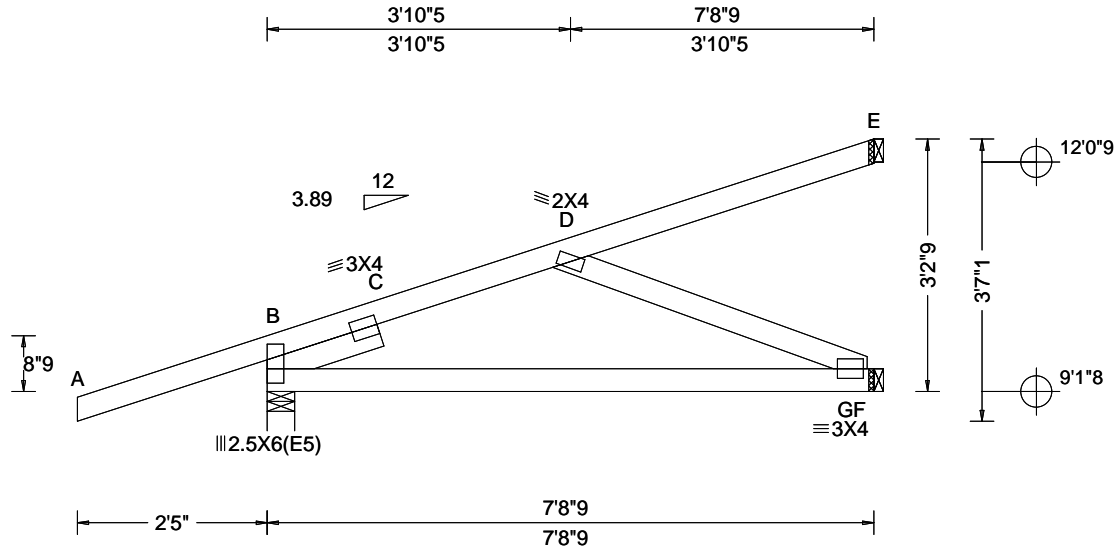
The overall height of this truss excluding overhang is 3-10-13.
Note: Laterally brace bottom chord above filler at 2'0" O.C.Max. including a lateral brace at chord ends.



COA #0278
04/02/2026
Florida Certificate of Product Approval #FL 1999

****WARNING** READ AND FOLLOW ALL NOTES ON THIS DRAWING!**
****IMPORTANT** FURNISH THIS DRAWING TO ALL CONTRACTORS INCLUDING THE INSTALLERS**
Trusses require extreme care in fabricating, handling, shipping, installing and bracing. Refer to and follow the latest edition of BCSI (Building Component Safety Information, by TPI and SBCA) for safety practices prior to performing these functions. Installers shall provide temporary bracing per BCSI. Unless noted otherwise, top chord shall have properly attached structural sheathing and bottom chord shall have a properly attached rigid ceiling. Locations shown for permanent lateral restraint of webs shall have continuous lateral restraint (CLR), installed with diagonal bracing installed on the CLR per BCSI sections B3, B7, or B10, as applicable. Apply plates to each face of truss and position as shown above and on the Joint Details, unless noted otherwise. Refer to drawings 160A-Z for standard plate positions. Refer to job's General Notes page for additional information.
Alpine, a division of ITW Building Components Group Inc. shall not be responsible for any deviation from this drawing, any failure to build the truss in conformance with ANSI/TPI 1, or for handling, shipping, installation and bracing of trusses. A seal on this drawing or cover page listing this drawing, indicates acceptance of professional engineering responsibility solely for the design shown. The suitability and use of this drawing for any structure is the responsibility of the Building Designer per ANSI/TPI 1 Sec.2.
For more information see these web sites: Alpine: alpineitw.com; TPI: tpinst.org; SBCA: sbcacomponents.com; ICC: iccsafe.org; AWC: awc.org





Loading Criteria (psf) TCLL: 20.00 TCDL: 10.00 BCLL: 0.00 BCDL: 10.00 Des Ld: 40.00 NCBCLL: 10.00 Soffit: 2.00 Load Duration: 1.25 Spacing: 24.0 "	Wind Criteria Wind Std: ASCE 7-22 Speed: 130 mph Enclosure: Enclosed Risk Category: II EXP: C Kzt: NA Mean Height: 15.00 ft TCDL: 5.0 psf BCDL: 5.0 psf MWFRS Parallel Dist: 0 to h/2 C&C Dist a: 3.00 ft Loc. from endwall: not in 4.50 ft GCp: 0.18 Wind Duration: 1.60	Snow Criteria (Pg,Pf in PSF) Pg: NA Ct: NA CAT: NA Pf: NA Ce: NA Lu: NA Cs: NA Snow Duration: NA Building Code: FBC 8th Ed. 2023 Res. TPI Std: 2014 Rep Fac: Varies by Ld Case FT/RT:20(0)/10(0) Plate Type(s): WAVE	Defl/CSI Criteria PP Deflection in loc L/defl L/# VERT(LL): 0.006 C 999 360 VERT(CL): 0.021 C 999 240 HORZ(LL): 0.003 C - - HORZ(TL): 0.010 C - - Creep Factor: 2.0 Max TC CSI: 0.232 Max BC CSI: 0.720 Max Web CSI: 0.509 VIEW Ver: 24.02.00D.0114.10	▲ Maximum Reactions (lbs) Gravity Loc R+ / R- / Rh / Rw / U / RL Non-Gravity B 306 /- /- /- /57 /- F 197 /- /- /- /17 /- E 34 /- /- /- /19 /- Wind reactions based on MWFRS B Brg Wid = 4.2 Min Req = 1.5 (Truss) F Brg Wid = 1.5 Min Req = - E Brg Wid = 1.5 Min Req = - Bearing B is a rigid surface. Members not listed have forces less than 375# Maximum Top Chord Forces Per Ply (lbs) Chords Tens.Comp. B - C 448 -611
--------------------------------------------------------------------------------------------------------------------------------------------------------------------------------------	-------------------------------------------------------------------------------------------------------------------------------------------------------------------------------------------------------------------------------------------------------------------------------------------------------------------------	------------------------------------------------------------------------------------------------------------------------------------------------------------------------------------------------------------------------------------------------------------------	-------------------------------------------------------------------------------------------------------------------------------------------------------------------------------------------------------------------------------------------------------------------------------------------------	------------------------------------------------------------------------------------------------------------------------------------------------------------------------------------------------------------------------------------------------------------------------------------------------------------------------------------------------------------------------------------------------------------------------------------------------------------------------------------------

Lumber
Top chord: 2x4 SP #2;
Bot chord: 2x4 SP #2;
Webs: 2x4 SP #3;
Lt Slider: 2x4 SP #3; block length = 1.500'

Special Loads
----(Lumber Dur.Fac.=1.25 / Plate Dur.Fac.=1.25)
TC: From 0 plf at -2.42 to 61 plf at 0.00
TC: From 2 plf at 0.00 to 2 plf at 7.72
BC: From 0 plf at -2.42 to 4 plf at 0.00
BC: From 2 plf at 0.00 to 2 plf at 7.72
TC: -5 lb Conc. Load at 2.08
TC: 158 lb Conc. Load at 4.91
BC: 55 lb Conc. Load at 2.91
BC: 129 lb Conc. Load at 4.91

Wind
Wind loads and reactions based on MWFRS.
Wind loading based on both gable and hip roof types.

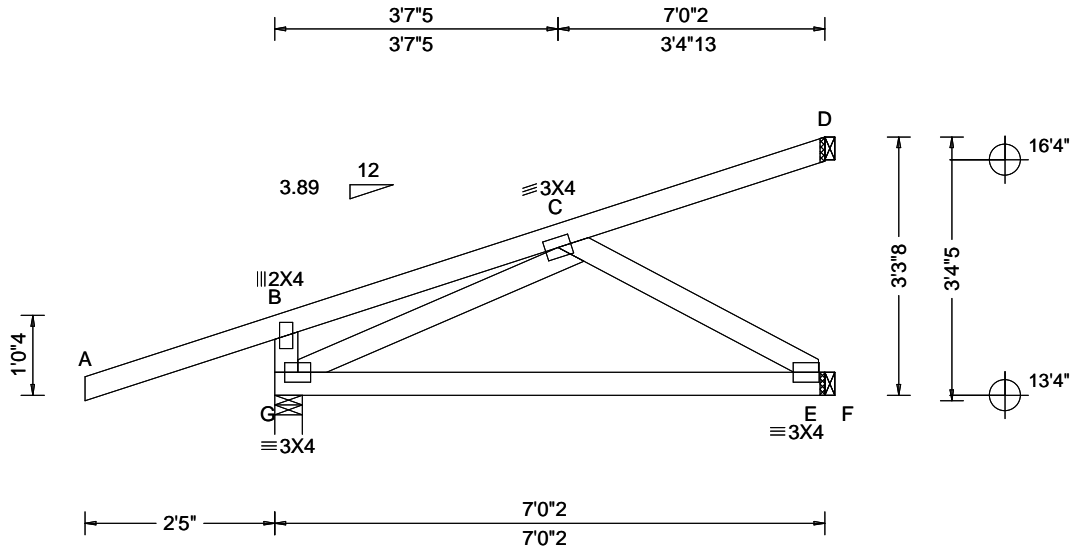
Additional Notes
The overall height of this truss excluding overhang is 3-2-9.



COA #0278
01/02/2026
Florida Certificate of Product Approval #FL 1999

****WARNING** READ AND FOLLOW ALL NOTES ON THIS DRAWING!**
****IMPORTANT** FURNISH THIS DRAWING TO ALL CONTRACTORS INCLUDING THE INSTALLERS**
Trusses require extreme care in fabricating, handling, shipping, installing and bracing. Refer to and follow the latest edition of BCSI (Building Component Safety Information, by TPI and SBCA) for safety practices prior to performing these functions. Installers shall provide temporary bracing per BCSI. Unless noted otherwise, top chord shall have properly attached structural sheathing and bottom chord shall have a properly attached rigid ceiling. Locations shown for permanent lateral restraint of webs shall have continuous lateral restraint (CLR), installed with diagonal bracing installed on the CLR per BCSI sections B3, B7, or B10, as applicable. Apply plates to each face of truss and position as shown above and on the Joint Details, unless noted otherwise. Refer to drawings 160A-Z for standard plate positions. Refer to job's General Notes page for additional information.
Alpine, a division of ITW Building Components Group Inc. shall not be responsible for any deviation from this drawing, any failure to build the truss in conformance with ANSI/TPI 1, or for handling, shipping, installation and bracing of trusses. A seal on this drawing or cover page listing this drawing, indicates acceptance of professional engineering responsibility solely for the design shown. The suitability and use of this drawing for any structure is the responsibility of the Building Designer per ANSI/TPI 1 Sec.2.
For more information see these web sites: Alpine: alpineitw.com; TPI: tpinst.org; SBCA: sbccomponents.com; ICC: iccsafe.org; AWC: awc.org





Loading Criteria (psf) TCLL: 20.00 TC DL: 10.00 BCLL: 0.00 BCDL: 10.00 Des Ld: 40.00 NCBCLL: 10.00 Soffit: 2.00 Load Duration: 1.25 Spacing: 24.0 "	Wind Criteria Wind Std: ASCE 7-22 Speed: 130 mph Enclosure: Enclosed Risk Category: II EXP: C Kzt: NA Mean Height: 15.10 ft TC DL: 5.0 psf BCDL: 5.0 psf MWFRS Parallel Dist: 0 to h/2 C&C Dist a: 3.00 ft Loc. from endwall: not in 4.50 ft GCp: 0.18 Wind Duration: 1.60	Snow Criteria (Pg,Pf in PSF) Pg: NA Ct: NA CAT: NA Pf: NA Ce: NA Lu: NA Cs: NA Snow Duration: NA Building Code: FBC 8th Ed. 2023 Res. TPI Std: 2014 Rep Fac: Varies by Ld Case FT/RT:20(0)/10(0) Plate Type(s): WAVE	Defl/CSI Criteria PP Deflection in loc L/defl L/# VERT(LL): 0.004 F 999 360 VERT(CL): 0.009 F 999 240 HORZ(LL): 0.002 C - - HORZ(TL): 0.003 C - - Creep Factor: 2.0 Max TC CSI: 0.223 Max BC CSI: 0.587 Max Web CSI: 0.187 VIEW Ver: 24.02.00D.0114.10	▲ Maximum Reactions (lbs) <table style="width:100%; border-collapse: collapse;"> <thead> <tr> <th rowspan="2">Loc</th> <th colspan="3">Gravity</th> <th colspan="3">Non-Gravity</th> </tr> <tr> <th>R+</th> <th>/R-</th> <th>/Rh</th> <th>/Rw</th> <th>/U</th> <th>/RL</th> </tr> </thead> <tbody> <tr> <td>G</td> <td>285</td> <td>-</td> <td>-</td> <td>-</td> <td>/30</td> <td>-</td> </tr> <tr> <td>E</td> <td>170</td> <td>-</td> <td>-</td> <td>/19</td> <td>-</td> <td>-</td> </tr> <tr> <td>D</td> <td>34</td> <td>-</td> <td>-</td> <td>/1</td> <td>-</td> <td>-</td> </tr> </tbody> </table> Wind reactions based on MWFRS G Brg Wid = 4.2 Min Req = 1.5 (Truss) E Brg Wid = 1.5 Min Req = - D Brg Wid = 1.5 Min Req = - Bearing G is a rigid surface. Members not listed have forces less than 375#	Loc	Gravity			Non-Gravity			R+	/R-	/Rh	/Rw	/U	/RL	G	285	-	-	-	/30	-	E	170	-	-	/19	-	-	D	34	-	-	/1	-	-
Loc	Gravity			Non-Gravity																																		
	R+	/R-	/Rh	/Rw	/U	/RL																																
G	285	-	-	-	/30	-																																
E	170	-	-	/19	-	-																																
D	34	-	-	/1	-	-																																

Lumber

Top chord: 2x4 SP #2;
 Bot chord: 2x4 SP #2;
 Webs: 2x4 SP #3;

Special Loads

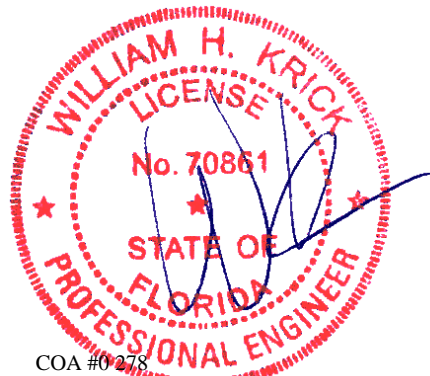
----(Lumber Dur.Fac.=1.25 / Plate Dur.Fac.=1.25)
 TC: From 0 plf at -2.42 to 61 plf at 0.00
 TC: From 2 plf at 0.00 to 2 plf at 7.01
 BC: From 0 plf at -2.42 to 4 plf at 0.00
 BC: From 2 plf at 0.00 to 2 plf at 7.01
 TC: -24 lb Conc. Load at 1.32
 TC: 116 lb Conc. Load at 4.15
 BC: 37 lb Conc. Load at 1.32
 BC: 117 lb Conc. Load at 4.15

Wind

Wind loads and reactions based on MWFRS.
 Left end vertical not exposed to wind pressure.
 Wind loading based on both gable and hip roof types.

Additional Notes

The overall height of this truss excluding overhang is 3-3-8.

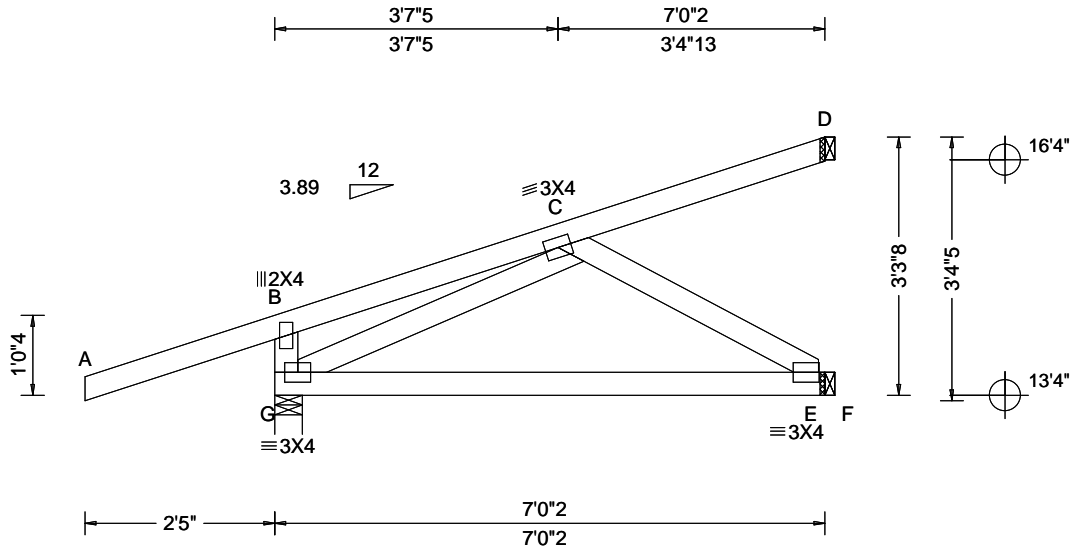


COA #0218

Florida Certificate of Product Approval #FL 1999

****WARNING** READ AND FOLLOW ALL NOTES ON THIS DRAWING!**
****IMPORTANT** FURNISH THIS DRAWING TO ALL CONTRACTORS INCLUDING THE INSTALLERS**
 Trusses require extreme care in fabricating, handling, shipping, installing and bracing. Refer to and follow the latest edition of BCSI (Building Component Safety Information, by TPI and SBCA) for safety practices prior to performing these functions. Installers shall provide temporary bracing per BCSI. Unless noted otherwise, top chord shall have properly attached structural sheathing and bottom chord shall have a properly attached rigid ceiling. Locations shown for permanent lateral restraint of webs shall have continuous lateral restraint (CLR), installed with diagonal bracing installed on the CLR per BCSI sections B3, B7, or B10, as applicable. Apply plates to each face of truss and position as shown above and on the Joint Details, unless noted otherwise. Refer to drawings 160A-Z for standard plate positions. Refer to job's General Notes page for additional information.
 Alpine, a division of ITW Building Components Group Inc. shall not be responsible for any deviation from this drawing, any failure to build the truss in conformance with ANSI/TPI 1, or for handling, shipping, installation and bracing of trusses. A seal on this drawing or cover page listing this drawing, indicates acceptance of professional engineering responsibility solely for the design shown. The suitability and use of this drawing for any structure is the responsibility of the Building Designer per ANSI/TPI 1 Sec.2.
 For more information see these web sites: Alpine: alpineitw.com; TPI: tpinst.org; SBCA: sbcacomponents.com; ICC: iccsafe.org; AWC: awc.org





Loading Criteria (psf) TCLL: 20.00 TCDL: 10.00 BCLL: 0.00 BCDL: 10.00 Des Ld: 40.00 NCBCLL: 10.00 Soffit: 2.00 Load Duration: 1.25 Spacing: 24.0 "	Wind Criteria Wind Std: ASCE 7-22 Speed: 130 mph Enclosure: Enclosed Risk Category: II EXP: C Kzt: NA Mean Height: 15.10 ft TCDL: 5.0 psf BCDL: 5.0 psf MWFRS Parallel Dist: 0 to h/2 C&C Dist a: 3.00 ft Loc. from endwall: not in 4.50 ft GCp: 0.18 Wind Duration: 1.60	Snow Criteria (Pg,Pf in PSF) Pg: NA Ct: NA CAT: NA Pf: NA Ce: NA Lu: NA Cs: NA Snow Duration: NA Building Code: FBC 8th Ed. 2023 Res. TPI Std: 2014 Rep Fac: Varies by Ld Case FT/RT:20(0)/10(0) Plate Type(s): WAVE	Defl/CSI Criteria PP Deflection in loc L/defl L/# VERT(LL): 0.009 F 999 360 VERT(CL): 0.009 F 999 240 HORZ(LL): 0.003 C - - HORZ(TL): 0.003 C - - Creep Factor: 2.0 Max TC CSI: 0.223 Max BC CSI: 0.522 Max Web CSI: 0.187 VIEW Ver: 24.02.00D.0114.10	▲ Maximum Reactions (lbs) <table style="width:100%; border-collapse: collapse;"> <thead> <tr> <th rowspan="2">Loc</th> <th colspan="3">Gravity</th> <th colspan="3">Non-Gravity</th> </tr> <tr> <th>R+</th> <th>/R-</th> <th>/Rh</th> <th>/Rw</th> <th>/U</th> <th>/RL</th> </tr> </thead> <tbody> <tr> <td>G</td> <td>285</td> <td>-</td> <td>-</td> <td>-</td> <td>/33</td> <td>-</td> </tr> <tr> <td>E</td> <td>170</td> <td>-</td> <td>-</td> <td>/14</td> <td>-</td> <td>-</td> </tr> <tr> <td>D</td> <td>34</td> <td>-</td> <td>-</td> <td>/1</td> <td>-</td> <td>-</td> </tr> </tbody> </table> <p>Wind reactions based on MWFRS G Brg Wid = 4.2 Min Req = 1.5 (Truss) E Brg Wid = 1.5 Min Req = - D Brg Wid = 1.5 Min Req = - Bearing G is a rigid surface. Members not listed have forces less than 375#</p>	Loc	Gravity			Non-Gravity			R+	/R-	/Rh	/Rw	/U	/RL	G	285	-	-	-	/33	-	E	170	-	-	/14	-	-	D	34	-	-	/1	-	-
Loc	Gravity			Non-Gravity																																		
	R+	/R-	/Rh	/Rw	/U	/RL																																
G	285	-	-	-	/33	-																																
E	170	-	-	/14	-	-																																
D	34	-	-	/1	-	-																																

Lumber

Top chord: 2x4 SP #2;
 Bot chord: 2x4 SP #2;
 Webs: 2x4 SP #3;

Special Loads

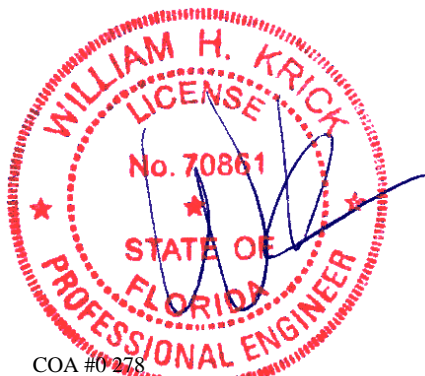
----(Lumber Dur.Fac.=1.25 / Plate Dur.Fac.=1.25)
 TC: From 0 plf at -2.42 to 61 plf at 0.00
 TC: From 2 plf at 0.00 to 2 plf at 7.01
 BC: From 0 plf at -2.42 to 4 plf at 0.00
 BC: From 2 plf at 0.00 to 2 plf at 7.01
 TC: -24 lb Conc. Load at 1.32
 TC: 125 lb Conc. Load at 4.15
 BC: 37 lb Conc. Load at 1.32
 BC: 86 lb Conc. Load at 4.15

Wind

Wind loads and reactions based on MWFRS.
 Left end vertical not exposed to wind pressure.
 Wind loading based on both gable and hip roof types.

Additional Notes

The overall height of this truss excluding overhang is 3-3-8.

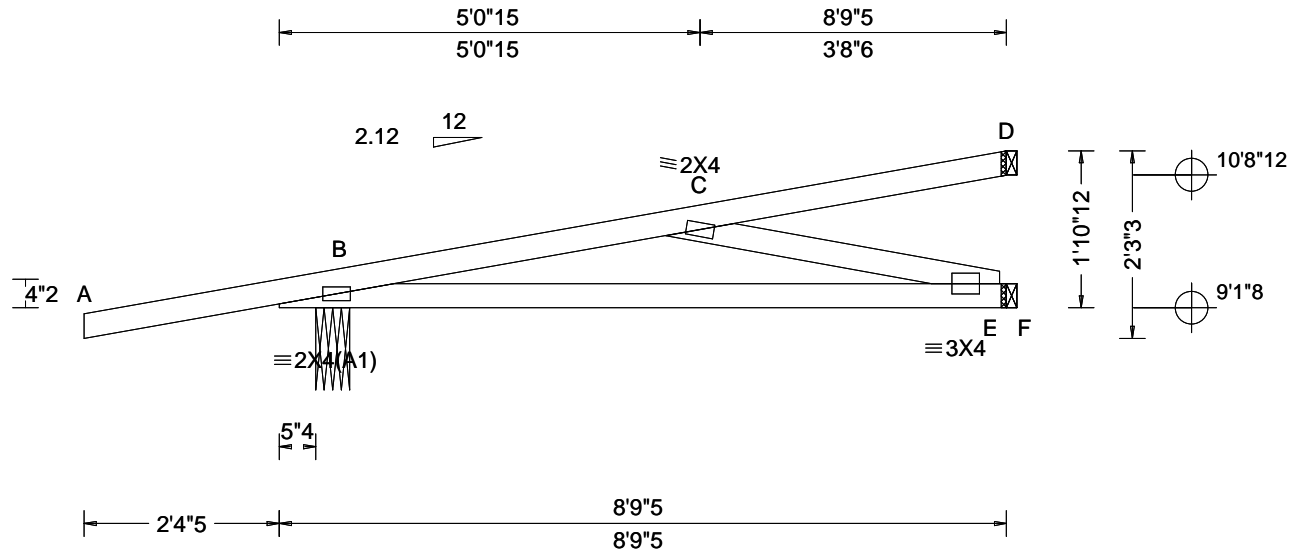


COA #0278

Florida Certificate of Product Approval #FL 1999

****WARNING** READ AND FOLLOW ALL NOTES ON THIS DRAWING!**
****IMPORTANT** FURNISH THIS DRAWING TO ALL CONTRACTORS INCLUDING THE INSTALLERS**
 Trusses require extreme care in fabricating, handling, shipping, installing and bracing. Refer to and follow the latest edition of BCSI (Building Component Safety Information, by TPI and SBCA) for safety practices prior to performing these functions. Installers shall provide temporary bracing per BCSI. Unless noted otherwise, top chord shall have properly attached structural sheathing and bottom chord shall have a properly attached rigid ceiling. Locations shown for permanent lateral restraint of webs shall have continuous lateral restraint (CLR), installed with diagonal bracing installed on the CLR per BCSI sections B3, B7, or B10, as applicable. Apply plates to each face of truss and position as shown above and on the Joint Details, unless noted otherwise. Refer to drawings 160A-Z for standard plate positions. Refer to job's General Notes page for additional information.
 Alpine, a division of ITW Building Components Group Inc. shall not be responsible for any deviation from this drawing, any failure to build the truss in conformance with ANSI/TPI 1, or for handling, shipping, installation and bracing of trusses. A seal on this drawing or cover page listing this drawing, indicates acceptance of professional engineering responsibility solely for the design shown. The suitability and use of this drawing for any structure is the responsibility of the Building Designer per ANSI/TPI 1 Sec.2.
 For more information see these web sites: Alpine: alpineitw.com; TPI: tpinst.org; SBCA: sbccomponents.com; ICC: iccsafe.org; AWC: awc.org





Loading Criteria (psf) TCLL: 20.00 TCDL: 10.00 BCLL: 0.00 BCDL: 10.00 Des Ld: 40.00 NCBCLL: 10.00 Soffit: 2.00 Load Duration: 1.25 Spacing: 24.0 "	Wind Criteria Wind Std: ASCE 7-22 Speed: 130 mph Enclosure: Enclosed Risk Category: II EXP: C Kzt: NA Mean Height: 15.00 ft TCDL: 5.0 psf BCDL: 5.0 psf MWFRS Parallel Dist: 0 to h/2 C&C Dist a: 3.00 ft Loc. from endwall: not in 4.50 ft GCcp: 0.18 Wind Duration: 1.60	Snow Criteria (Pg,Pf in PSF) Pg: NA Ct: NA CAT: NA Pf: NA Ce: NA Lu: NA Cs: NA Snow Duration: NA Building Code: FBC 8th Ed. 2023 Res. TPI Std: 2014 Rep Fac: Varies by Ld Case FT/RT:20(0)/10(0) Plate Type(s): WAVE	Defl/CSI Criteria PP Deflection in loc L/defl L/# VERT(LL): 0.014 B 999 360 VERT(CL): 0.048 B 999 240 HORZ(LL): 0.003 B - - HORZ(TL): 0.011 B - - Creep Factor: 2.0 Max TC CSI: 0.271 Max BC CSI: 0.689 Max Web CSI: 0.205 VIEW Ver: 24.02.00D.0114.10	▲ Maximum Reactions (lbs) Gravity Loc R+ / R- / Rh / Rw / U / RL Non-Gravity B 347 /- /- /- /46 /- E 220 /- /- /- /6 /- D 30 /- /- /- /16 /- Wind reactions based on MWFRS B Brg Wid = 4.9 Min Req = 1.5 (Truss) E Brg Wid = 1.5 Min Req = - D Brg Wid = 1.5 Min Req = - Bearing B is a rigid surface. Members not listed have forces less than 375# Maximum Top Chord Forces Per Ply (lbs) Chords Tens.Comp. B - C 94 -471 Maximum Bot Chord Forces Per Ply (lbs) Chords Tens.Comp. B - F 467 -89 Maximum Web Forces Per Ply (lbs) Webs Tens.Comp. C - F 93 -481
--------------------------------------------------------------------------------------------------------------------------------------------------------------------------------------	--------------------------------------------------------------------------------------------------------------------------------------------------------------------------------------------------------------------------------------------------------------------------------------------------------------------------	------------------------------------------------------------------------------------------------------------------------------------------------------------------------------------------------------------------------------------------------------------------	-------------------------------------------------------------------------------------------------------------------------------------------------------------------------------------------------------------------------------------------------------------------------------------------------	----------------------------------------------------------------------------------------------------------------------------------------------------------------------------------------------------------------------------------------------------------------------------------------------------------------------------------------------------------------------------------------------------------------------------------------------------------------------------------------------------------------------------------------------------------------------------------------------------------------------------------------------------------------------

Lumber

Top chord: 2x4 SP #2;
Bot chord: 2x4 SP #2;
Webs: 2x4 SP #3;

Special Loads

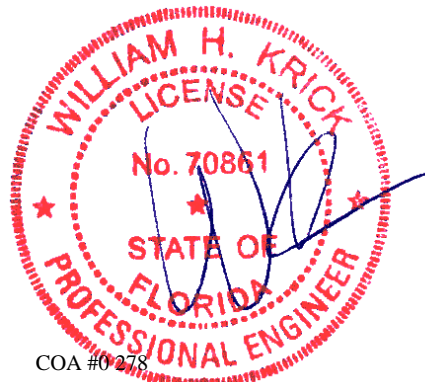
----(Lumber Dur.Fac.=1.25 / Plate Dur.Fac.=1.25)
TC: From 0 plf at -2.36 to 60 plf at 0.00
TC: From 2 plf at 0.00 to 2 plf at 8.78
BC: From 0 plf at -2.36 to 4 plf at 0.00
BC: From 2 plf at 0.00 to 2 plf at 8.78
TC: 16 lb Conc. Load at 3.15
TC: 174 lb Conc. Load at 5.97
BC: 44 lb Conc. Load at 3.15
BC: 131 lb Conc. Load at 5.97

Wind

Wind loads and reactions based on MWFRS.
Left cantilever is exposed to wind
Wind loading based on both gable and hip roof types.

Additional Notes

The overall height of this truss excluding overhang is 1-10-12.

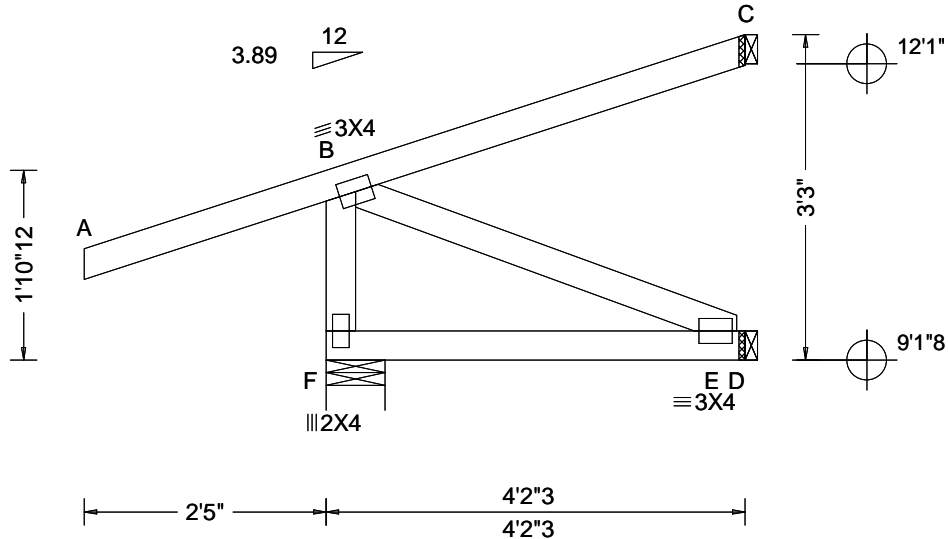


COA #0278

Florida Certificate of Product Approval #FL 1999

****WARNING** READ AND FOLLOW ALL NOTES ON THIS DRAWING!**
****IMPORTANT** FURNISH THIS DRAWING TO ALL CONTRACTORS INCLUDING THE INSTALLERS**
Trusses require extreme care in fabricating, handling, shipping, installing and bracing. Refer to and follow the latest edition of BCSI (Building Component Safety Information, by TPI and SBCA) for safety practices prior to performing these functions. Installers shall provide temporary bracing per BCSI. Unless noted otherwise, top chord shall have properly attached structural sheathing and bottom chord shall have a properly attached rigid ceiling. Locations shown for permanent lateral restraint of webs shall have continuous lateral restraint (CLR), installed with diagonal bracing installed on the CLR per BCSI sections B3, B7, or B10, as applicable. Apply plates to each face of truss and position as shown above and on the Joint Details, unless noted otherwise. Refer to drawings 160A-Z for standard plate positions. Refer to job's General Notes page for additional information.
Alpine, a division of ITW Building Components Group Inc. shall not be responsible for any deviation from this drawing, any failure to build the truss in conformance with ANSI/TPI 1, or for handling, shipping, installation and bracing of trusses. A seal on this drawing or cover page listing this drawing, indicates acceptance of professional engineering responsibility solely for the design shown. The suitability and use of this drawing for any structure is the responsibility of the Building Designer per ANSI/TPI 1 Sec.2.
For more information see these web sites: Alpine: alpineitw.com; TPI: tpinst.org; SBCA: sbcacomponents.com; ICC: iccsafe.org; AWC: awc.org





Loading Criteria (psf) TCLL: 20.00 TCCL: 10.00 BCLL: 0.00 BCDL: 10.00 Des Ld: 40.00 NCBCLL: 10.00 Soffit: 2.00 Load Duration: 1.25 Spacing: 24.0 "	Wind Criteria Wind Std: ASCE 7-22 Speed: 130 mph Enclosure: Enclosed Risk Category: II EXP: C Kzt: NA Mean Height: 15.00 ft TCCL: 5.0 psf BCDL: 5.0 psf MWFRS Parallel Dist: 0 to h/2 C&C Dist a: 3.00 ft Loc. from endwall: not in 4.50 ft GCp: 0.18 Wind Duration: 1.60	Snow Criteria (Pg,Pf in PSF) Pg: NA Ct: NA CAT: NA Pf: NA Ce: NA Lu: NA Cs: NA Snow Duration: NA Building Code: FBC 8th Ed. 2023 Res. TPI Std: 2014 Rep Fac: Varies by Ld Case FT/RT:20(0)/10(0) Plate Type(s): WAVE	Defl/CSI Criteria PP Deflection in loc L/defl L/# VERT(LL): 0.002 E 999 360 VERT(CL): 0.002 E 999 240 HORZ(LL): 0.001 B - - HORZ(TL): 0.001 B - - Creep Factor: 2.0 Max TC CSI: 0.226 Max BC CSI: 0.190 Max Web CSI: 0.041 VIEW Ver: 24.02.00D.0114.10	▲ Maximum Reactions (lbs) <table border="1" style="width:100%; border-collapse: collapse;"> <thead> <tr> <th rowspan="2">Loc</th> <th colspan="3">Gravity</th> <th colspan="3">Non-Gravity</th> </tr> <tr> <th>R+</th> <th>/R-</th> <th>/Rh</th> <th>/Rw</th> <th>/U</th> <th>/RL</th> </tr> </thead> <tbody> <tr> <td>F</td> <td>206</td> <td>-</td> <td>-</td> <td>-</td> <td>/21</td> <td>/60</td> </tr> <tr> <td>D</td> <td>83</td> <td>-</td> <td>-</td> <td>-</td> <td>/8</td> <td>-</td> </tr> <tr> <td>C</td> <td>27</td> <td>-16</td> <td>-</td> <td>/5</td> <td>-</td> <td>-</td> </tr> </tbody> </table> Wind reactions based on MWFRS F Brg Wid = 7.0 Min Req = 1.5 (Truss) D Brg Wid = 1.5 Min Req = - C Brg Wid = 1.5 Min Req = - Bearing F is a rigid surface. Members not listed have forces less than 375#	Loc	Gravity			Non-Gravity			R+	/R-	/Rh	/Rw	/U	/RL	F	206	-	-	-	/21	/60	D	83	-	-	-	/8	-	C	27	-16	-	/5	-	-
Loc	Gravity			Non-Gravity																																		
	R+	/R-	/Rh	/Rw	/U	/RL																																
F	206	-	-	-	/21	/60																																
D	83	-	-	-	/8	-																																
C	27	-16	-	/5	-	-																																

Lumber

Top chord: 2x4 SP #2;
 Bot chord: 2x4 SP #2;
 Webs: 2x4 SP #3;

Special Loads

----(Lumber Dur.Fac.=1.25 / Plate Dur.Fac.=1.25)
 TC: From 0 plf at -2.42 to 61 plf at 0.00
 TC: From 2 plf at 0.00 to 2 plf at 4.18
 BC: From 0 plf at -2.42 to 4 plf at 0.00
 BC: From 2 plf at 0.00 to 2 plf at 4.18
 TC: -22 lb Conc. Load at 1.38
 BC: 39 lb Conc. Load at 1.38

Wind

Wind loads and reactions based on MWFRS.
 Left end vertical exposed to wind pressure. Deflection meets L/360.
 Wind loading based on both gable and hip roof types.

Additional Notes

The overall height of this truss excluding overhang is 3-3-0.

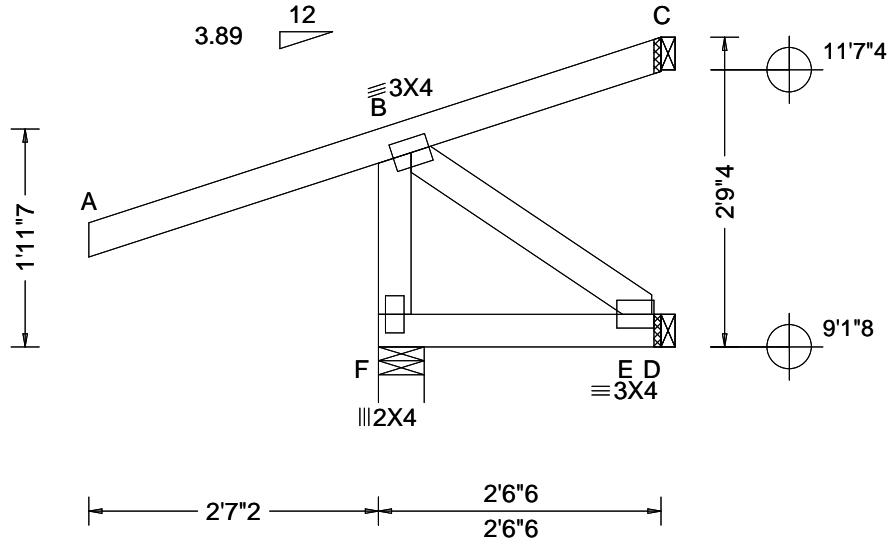


COA #0278

04/02/2026 Florida Certificate of Product Approval #FL 1999

****WARNING** READ AND FOLLOW ALL NOTES ON THIS DRAWING!**
****IMPORTANT** FURNISH THIS DRAWING TO ALL CONTRACTORS INCLUDING THE INSTALLERS**
 Trusses require extreme care in fabricating, handling, shipping, installing and bracing. Refer to and follow the latest edition of BCSI (Building Component Safety Information, by TPI and SBCA) for safety practices prior to performing these functions. Installers shall provide temporary bracing per BCSI. Unless noted otherwise, top chord shall have properly attached structural sheathing and bottom chord shall have a properly attached rigid ceiling. Locations shown for permanent lateral restraint of webs shall have continuous lateral restraint (CLR), installed with diagonal bracing installed on the CLR per BCSI sections B3, B7, or B10, as applicable. Apply plates to each face of truss and position as shown above and on the Joint Details, unless noted otherwise. Refer to drawings 160A-Z for standard plate positions. Refer to job's General Notes page for additional information.
 Alpine, a division of ITW Building Components Group Inc. shall not be responsible for any deviation from this drawing, any failure to build the truss in conformance with ANSI/TPI 1, or for handling, shipping, installation and bracing of trusses. A seal on this drawing or cover page listing this drawing, indicates acceptance of professional engineering responsibility solely for the design shown. The suitability and use of this drawing for any structure is the responsibility of the Building Designer per ANSI/TPI 1 Sec.2.
 For more information see these web sites: Alpine: alpineitw.com; TPI: tpinst.org; SBCA: sbccomponents.com; ICC: iccsafe.org; AWC: awc.org





Loading Criteria (psf) TCLL: 20.00 TCDL: 10.00 BCLL: 0.00 BCDL: 10.00 Des Ld: 40.00 NCBCLL: 10.00 Soffit: 2.00 Load Duration: 1.25 Spacing: 24.0 "	Wind Criteria Wind Std: ASCE 7-22 Speed: 130 mph Enclosure: Enclosed Risk Category: II EXP: C Kzt: NA Mean Height: 15.00 ft TCDL: 5.0 psf BCDL: 5.0 psf MWFRS Parallel Dist: 0 to h/2 C&C Dist a: 3.00 ft Loc. from endwall: Any GCp: 0.18 Wind Duration: 1.60	Snow Criteria (Pg,Pf in PSF) Pg: NA Ct: NA CAT: NA Pf: NA Ce: NA Lu: NA Cs: NA Snow Duration: NA Building Code: FBC 8th Ed. 2023 Res. TPI Std: 2014 Rep Fac: Yes FT/RT:20(0)/10(0) Plate Type(s): WAVE	Defl/CSI Criteria PP Deflection in loc L/defl L/# VERT(LL): 0.001 E 999 360 VERT(CL): 0.000 B 999 240 HORZ(LL): -0.000 C - - HORZ(TL): 0.000 C - - Creep Factor: 2.0 Max TC CSI: 0.259 Max BC CSI: 0.062 Max Web CSI: 0.038 VIEW Ver: 24.02.00D.0114.10	▲ Maximum Reactions (lbs) Gravity Loc R+ / R- / Rh / Rw / U / RL Non-Gravity Loc R+ / R- / Rh / Rw / U / RL F 176 /- /- /- /19 /64 D 46 /-2 /- /- /22 /- C - /-22 /- /14 /- /- Wind reactions based on MWFRS F Brg Wid = 4.9 Min Req = 1.5 (Truss) D Brg Wid = 1.5 Min Req = - C Brg Wid = 1.5 Min Req = - Bearing F is a rigid surface. Members not listed have forces less than 375#
--------------------------------------------------------------------------------------------------------------------------------------------------------------------------------------	--------------------------------------------------------------------------------------------------------------------------------------------------------------------------------------------------------------------------------------------------------------------------------------------------------------	----------------------------------------------------------------------------------------------------------------------------------------------------------------------------------------------------------------------------------------------------	--------------------------------------------------------------------------------------------------------------------------------------------------------------------------------------------------------------------------------------------------------------------------------------------------	--------------------------------------------------------------------------------------------------------------------------------------------------------------------------------------------------------------------------------------------------------------------------------------------------------------------------------------------------------------------------------------------------------------------------------------

Lumber

Top chord: 2x4 SP #2;
Bot chord: 2x4 SP #2;
Webs: 2x4 SP #3;

Wind

Wind loads and reactions based on MWFRS.
Left end vertical exposed to wind pressure. Deflection meets L/360.
Wind loading based on both gable and hip roof types.

Additional Notes

The overall height of this truss excluding overhang is 2-9-4.

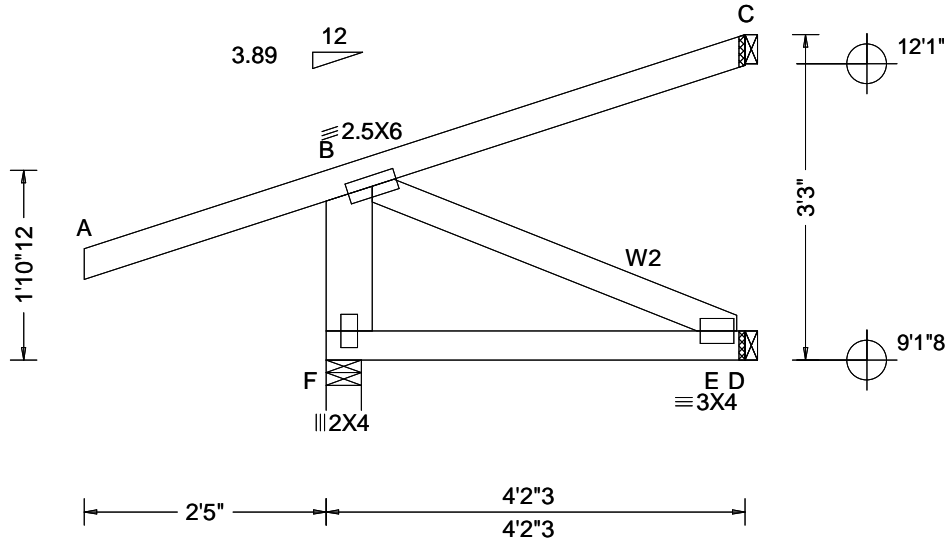


COA #0278

Florida Certificate of Product Approval #FL 1999

****WARNING** READ AND FOLLOW ALL NOTES ON THIS DRAWING!**
****IMPORTANT** FURNISH THIS DRAWING TO ALL CONTRACTORS INCLUDING THE INSTALLERS**
Trusses require extreme care in fabricating, handling, shipping, installing and bracing. Refer to and follow the latest edition of BCSI (Building Component Safety Information, by TPI and SBCA) for safety practices prior to performing these functions. Installers shall provide temporary bracing per BCSI. Unless noted otherwise, top chord shall have properly attached structural sheathing and bottom chord shall have a properly attached rigid ceiling. Locations shown for permanent lateral restraint of webs shall have continuous lateral restraint (CLR), installed with diagonal bracing installed on the CLR per BCSI sections B3, B7, or B10, as applicable. Apply plates to each face of truss and position as shown above and on the Joint Details, unless noted otherwise. Refer to drawings 160A-Z for standard plate positions. Refer to job's General Notes page for additional information.
Alpine, a division of ITW Building Components Group Inc. shall not be responsible for any deviation from this drawing, any failure to build the truss in conformance with ANSI/TPI 1, or for handling, shipping, installation and bracing of trusses. A seal on this drawing or cover page listing this drawing, indicates acceptance of professional engineering responsibility solely for the design shown. The suitability and use of this drawing for any structure is the responsibility of the Building Designer per ANSI/TPI 1 Sec.2.
For more information see these web sites: Alpine: alpineitw.com; TPI: tpinst.org; SBCA: sbccomponents.com; ICC: iccsafe.org; AWC: awc.org





Loading Criteria (psf)	Wind Criteria	Snow Criteria (Pg,Pf in PSF)	Defl/CSI Criteria	▲ Maximum Reactions (lbs)
TCLL: 20.00 TCDL: 10.00 BCLL: 0.00 BCDL: 10.00 Des Ld: 40.00 NCBCLL: 10.00 Soffit: 2.00 Load Duration: 1.25 Spacing: 24.0 "	Wind Std: ASCE 7-22 Speed: 130 mph Enclosure: Enclosed Risk Category: II EXP: C Kzt: NA Mean Height: 15.00 ft TCDL: 5.0 psf BCDL: 5.0 psf MWFRS Parallel Dist: 0 to h/2 C&C Dist a: 3.00 ft Loc. from endwall: not in 4.50 ft GCp: 0.18 Wind Duration: 1.60	Pg: NA Ct: NA CAT: NA Pf: NA Ce: NA Lu: NA Cs: NA Snow Duration: NA Building Code: FBC 8th Ed. 2023 Res. TPI Std: 2014 Rep Fac: Varies by Ld Case FT/RT:20(0)/10(0) Plate Type(s): WAVE	PP Deflection in loc L/defl L/# VERT(LL): -0.001 E 999 360 VERT(CL): 0.002 E 999 240 HORZ(LL): -0.000 B - - HORZ(TL): 0.001 B - - Creep Factor: 2.0 Max TC CSI: 0.223 Max BC CSI: 0.169 Max Web CSI: 0.032 VIEW Ver: 24.02.00D.0114.10	Gravity Loc R+ / R- / Rh / Rw / U / RL Non-Gravity Loc R+ / R- / Rh / Rw / U / RL F 206 /- /- /- /22 /60 D 81 /- /- /- /7 /- C 29 /-11 /- /3 /- /- Wind reactions based on MWFRS F Brg Wid = 4.2 Min Req = 1.5 (Truss) D Brg Wid = 1.5 Min Req = - C Brg Wid = 1.5 Min Req = - Bearing F is a rigid surface. Members not listed have forces less than 375#

Lumber

Top chord: 2x4 SP #2;
Bot chord: 2x4 SP #2;
Webs: 2x6 SP #2; W2 2x4 SP #3;

Special Loads

----(Lumber Dur.Fac.=1.25 / Plate Dur.Fac.=1.25)
TC: From 0 plf at -2.42 to 61 plf at 0.00
TC: From 2 plf at 0.00 to 2 plf at 4.18
BC: From 0 plf at -2.42 to 4 plf at 0.00
BC: From 2 plf at 0.00 to 2 plf at 4.18
TC: -24 lb Conc. Load at 1.32
BC: 37 lb Conc. Load at 1.32

Wind

Wind loads and reactions based on MWFRS.
Left end vertical exposed to wind pressure. Deflection meets L/360.
Wind loading based on both gable and hip roof types.

Additional Notes

The overall height of this truss excluding overhang is 3-3-0.

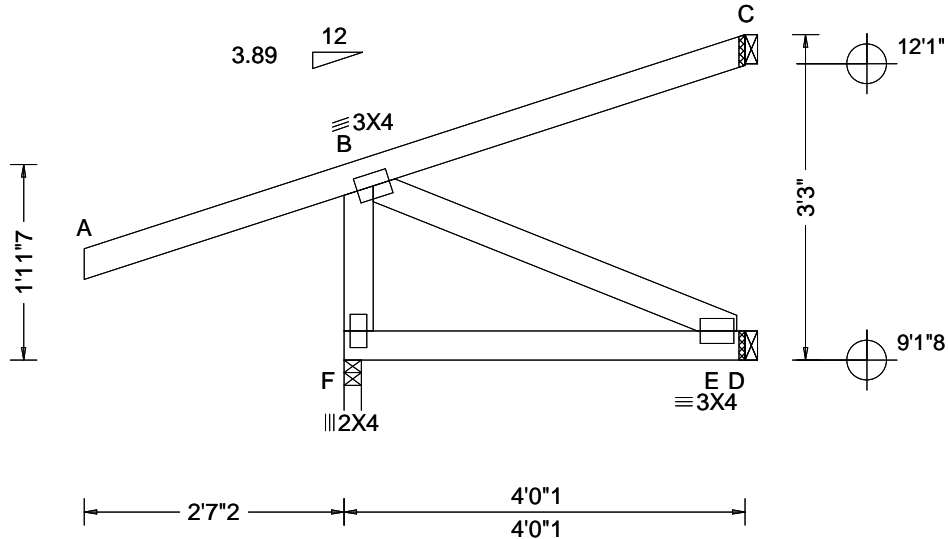


COA #0278

Florida Certificate of Product Approval #FL 1999

****WARNING** READ AND FOLLOW ALL NOTES ON THIS DRAWING!**
****IMPORTANT** FURNISH THIS DRAWING TO ALL CONTRACTORS INCLUDING THE INSTALLERS**
Trusses require extreme care in fabricating, handling, shipping, installing and bracing. Refer to and follow the latest edition of BCSI (Building Component Safety Information, by TPI and SBCA) for safety practices prior to performing these functions. Installers shall provide temporary bracing per BCSI. Unless noted otherwise, top chord shall have properly attached structural sheathing and bottom chord shall have a properly attached rigid ceiling. Locations shown for permanent lateral restraint of webs shall have continuous lateral restraint (CLR), installed with diagonal bracing installed on the CLR per BCSI sections B3, B7, or B10, as applicable. Apply plates to each face of truss and position as shown above and on the Joint Details, unless noted otherwise. Refer to drawings 160A-Z for standard plate positions. Refer to job's General Notes page for additional information.
Alpine, a division of ITW Building Components Group Inc. shall not be responsible for any deviation from this drawing, any failure to build the truss in conformance with ANSI/TPI 1, or for handling, shipping, installation and bracing of trusses. A seal on this drawing or cover page listing this drawing, indicates acceptance of professional engineering responsibility solely for the design shown. The suitability and use of this drawing for any structure is the responsibility of the Building Designer per ANSI/TPI 1 Sec.2.
For more information see these web sites: Alpine: alpineitw.com; TPI: tpinst.org; SBCA: sbccomponents.com; ICC: iccsafe.org; AWC: awc.org





Loading Criteria (psf) TCLL: 20.00 TCCL: 10.00 BCLL: 0.00 BCDL: 10.00 Des Ld: 40.00 NCBCLL: 10.00 Soffit: 2.00 Load Duration: 1.25 Spacing: 24.0 "	Wind Criteria Wind Std: ASCE 7-22 Speed: 130 mph Enclosure: Enclosed Risk Category: II EXP: C Kzt: NA Mean Height: 15.00 ft TCCL: 5.0 psf BCDL: 5.0 psf MWFRS Parallel Dist: 0 to h/2 C&C Dist a: 3.00 ft Loc. from endwall: not in 4.50 ft GCp: 0.18 Wind Duration: 1.60	Snow Criteria (Pg,Pf in PSF) Pg: NA Ct: NA CAT: NA Pf: NA Ce: NA Lu: NA Cs: NA Snow Duration: NA Building Code: FBC 8th Ed. 2023 Res. TPI Std: 2014 Rep Fac: Varies by Ld Case FT/RT:20(0)/10(0) Plate Type(s): WAVE	Defl/CSI Criteria PP Deflection in loc L/defl L/# VERT(LL): 0.001 E 999 360 VERT(CL): 0.002 E 999 240 HORZ(LL): 0.000 B - - HORZ(TL): 0.001 B - - Creep Factor: 2.0 Max TC CSI: 0.259 Max BC CSI: 0.173 Max Web CSI: 0.039 VIEW Ver: 24.02.00D.0114.10	▲ Maximum Reactions (lbs) <table border="1"> <thead> <tr> <th rowspan="2">Loc</th> <th colspan="3">Gravity</th> <th colspan="3">Non-Gravity</th> </tr> <tr> <th>R+</th> <th>/R-</th> <th>/Rh</th> <th>/Rw</th> <th>/U</th> <th>/RL</th> </tr> </thead> <tbody> <tr> <td>F</td> <td>209</td> <td>-</td> <td>-</td> <td>-</td> <td>/34</td> <td>-</td> </tr> <tr> <td>D</td> <td>79</td> <td>-</td> <td>-</td> <td>/6</td> <td>-</td> <td>-</td> </tr> <tr> <td>C</td> <td>22</td> <td>/-16</td> <td>-</td> <td>/6</td> <td>-</td> <td>-</td> </tr> </tbody> </table>	Loc	Gravity			Non-Gravity			R+	/R-	/Rh	/Rw	/U	/RL	F	209	-	-	-	/34	-	D	79	-	-	/6	-	-	C	22	/-16	-	/6	-	-
				Loc		Gravity			Non-Gravity																													
R+	/R-	/Rh	/Rw		/U	/RL																																
F	209	-	-	-	/34	-																																
D	79	-	-	/6	-	-																																
C	22	/-16	-	/6	-	-																																
Wind reactions based on MWFRS F Brg Wid = 2.1 Min Req = 1.5 (Truss) D Brg Wid = 1.5 Min Req = - C Brg Wid = 1.5 Min Req = - Bearing F is a rigid surface. Members not listed have forces less than 375#																																						

Lumber

Top chord: 2x4 SP #2;
 Bot chord: 2x4 SP #2;
 Webs: 2x4 SP #3;

Special Loads

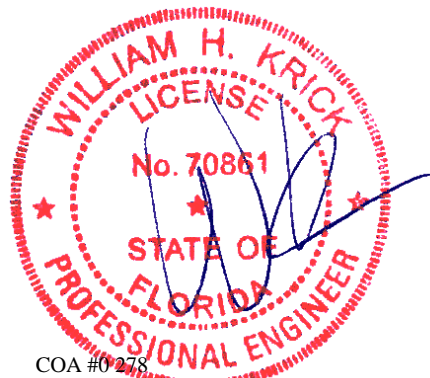
----(Lumber Dur.Fac.=1.25 / Plate Dur.Fac.=1.25)
 TC: From 0 plf at -2.59 to 61 plf at 0.00
 TC: From 2 plf at 0.00 to 2 plf at 4.00
 BC: From 0 plf at -2.59 to 4 plf at 0.00
 BC: From 2 plf at 0.00 to 2 plf at 4.00
 TC: -15 lb Conc. Load at 1.20
 BC: 36 lb Conc. Load at 1.20

Wind

Wind loads and reactions based on MWFRS.
 Left end vertical not exposed to wind pressure.
 Wind loading based on both gable and hip roof types.

Additional Notes

The overall height of this truss excluding overhang is 3-3-0.

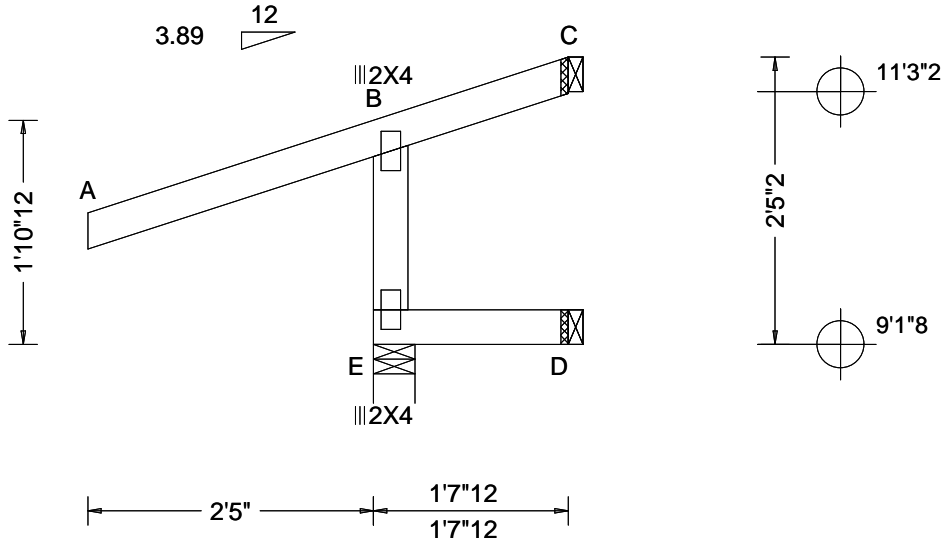


COA #0278

01/02/2026
 Florida Certificate of Product Approval #FL 1999

****WARNING** READ AND FOLLOW ALL NOTES ON THIS DRAWING!**
****IMPORTANT** FURNISH THIS DRAWING TO ALL CONTRACTORS INCLUDING THE INSTALLERS**
 Trusses require extreme care in fabricating, handling, shipping, installing and bracing. Refer to and follow the latest edition of BCSI (Building Component Safety Information, by TPI and SBCA) for safety practices prior to performing these functions. Installers shall provide temporary bracing per BCSI. Unless noted otherwise, top chord shall have properly attached structural sheathing and bottom chord shall have a properly attached rigid ceiling. Locations shown for permanent lateral restraint of webs shall have continuous lateral restraint (CLR), installed with diagonal bracing installed on the CLR per BCSI sections B3, B7, or B10, as applicable. Apply plates to each face of truss and position as shown above and on the Joint Details, unless noted otherwise. Refer to drawings 160A-Z for standard plate positions. Refer to job's General Notes page for additional information.
 Alpine, a division of ITW Building Components Group Inc. shall not be responsible for any deviation from this drawing, any failure to build the truss in conformance with ANSI/TPI 1, or for handling, shipping, installation and bracing of trusses. A seal on this drawing or cover page listing this drawing, indicates acceptance of professional engineering responsibility solely for the design shown. The suitability and use of this drawing for any structure is the responsibility of the Building Designer per ANSI/TPI 1 Sec.2.
 For more information see these web sites: Alpine: alpineitw.com; TPI: tpinst.org; SBCA: sbcacomponents.com; ICC: iccsafe.org; AWC: awc.org





Loading Criteria (psf) TCLL: 20.00 TCDL: 10.00 BCLL: 0.00 BCDL: 10.00 Des Ld: 40.00 NCBCLL: 10.00 Soffit: 2.00 Load Duration: 1.25 Spacing: 24.0 "	Wind Criteria Wind Std: ASCE 7-22 Speed: 130 mph Enclosure: Enclosed Risk Category: II EXP: C Kzt: NA Mean Height: 15.00 ft TCCL: 5.0 psf BCDL: 5.0 psf MWFRS Parallel Dist: 0 to h/2 C&C Dist a: 3.00 ft Loc. from endwall: Any GCp: 0.18 Wind Duration: 1.60	Snow Criteria (Pg,Pf in PSF) Pg: NA Ct: NA CAT: NA Pf: NA Ce: NA Lu: NA Cs: NA Snow Duration: NA Building Code: FBC 8th Ed. 2023 Res. TPI Std: 2014 Rep Fac: Varies by Ld Case FT/RT:20(0)/10(0) Plate Type(s): WAVE	Defl/CSI Criteria PP Deflection in loc L/defl L/# VERT(LL): 0.000 B 999 360 VERT(CL): 0.000 B 999 240 HORZ(LL): 0.000 B - - HORZ(TL): 0.000 B - - Creep Factor: 2.0 Max TC CSI: 0.223 Max BC CSI: 0.026 Max Web CSI: 0.049 VIEW Ver: 24.02.00D.0114.10	▲ Maximum Reactions (lbs) <table border="1"> <thead> <tr> <th rowspan="2">Loc</th> <th colspan="3">Gravity</th> <th colspan="3">Non-Gravity</th> </tr> <tr> <th>R+</th> <th>/R-</th> <th>/Rh</th> <th>/Rw</th> <th>/U</th> <th>/RL</th> </tr> </thead> <tbody> <tr> <td>E</td> <td>156</td> <td>/-</td> <td>/-</td> <td>/-</td> <td>/74</td> <td>/-</td> </tr> <tr> <td>D</td> <td>33</td> <td>/-</td> <td>/-</td> <td>/4</td> <td>/-</td> <td>/23</td> </tr> <tr> <td>C</td> <td>-</td> <td>/-60</td> <td>/-</td> <td>/16</td> <td>/-</td> <td>/37</td> </tr> </tbody> </table>	Loc	Gravity			Non-Gravity			R+	/R-	/Rh	/Rw	/U	/RL	E	156	/-	/-	/-	/74	/-	D	33	/-	/-	/4	/-	/23	C	-	/-60	/-	/16	/-	/37
				Loc		Gravity			Non-Gravity																													
R+	/R-	/Rh	/Rw		/U	/RL																																
E	156	/-	/-	/-	/74	/-																																
D	33	/-	/-	/4	/-	/23																																
C	-	/-60	/-	/16	/-	/37																																
				Wind reactions based on MWFRS E Brg Wid = 4.2 Min Req = 1.5 (Truss) D Brg Wid = 1.5 Min Req = - C Brg Wid = 1.5 Min Req = - Bearing E is a rigid surface. Members not listed have forces less than 375#																																		

Lumber

Top chord: 2x4 SP #2;
 Bot chord: 2x4 SP #2;
 Webs: 2x4 SP #3;

Special Loads

----(Lumber Dur.Fac.=1.25 / Plate Dur.Fac.=1.25)
 TC: From 0 plf at -2.42 to 61 plf at 0.00
 TC: From 2 plf at 0.00 to 2 plf at 1.65
 BC: From 0 plf at -2.42 to 4 plf at 0.00
 BC: From 2 plf at 0.00 to 2 plf at 1.65
 TC: -45 lb Conc. Load at 0.85
 BC: 25 lb Conc. Load at 0.91

Wind

Wind loads and reactions based on MWFRS.
 Left end vertical exposed to wind pressure. Deflection meets L/360.
 Wind loading based on both gable and hip roof types.

Additional Notes

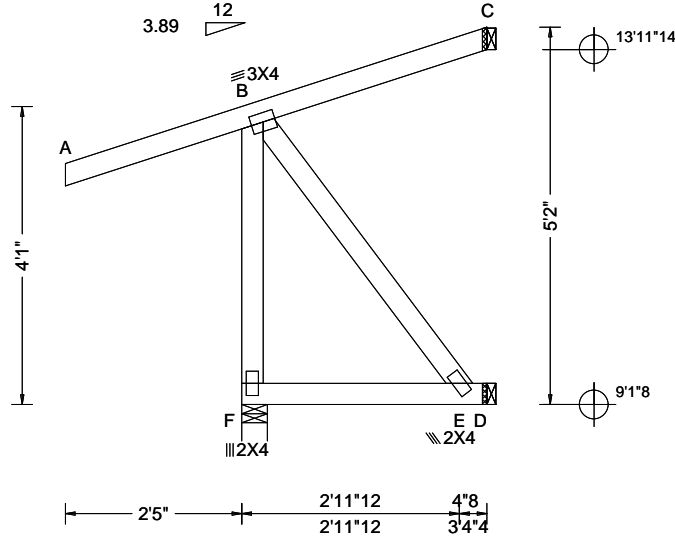
The overall height of this truss excluding overhang is 2-5-2.



COA #0278

01/02/2026
 Florida Certificate of Product Approval #FL 1999

****WARNING** READ AND FOLLOW ALL NOTES ON THIS DRAWING!**
****IMPORTANT** FURNISH THIS DRAWING TO ALL CONTRACTORS INCLUDING THE INSTALLERS**
 Trusses require extreme care in fabricating, handling, shipping, installing and bracing. Refer to and follow the latest edition of BCSI (Building Component Safety Information, by TPI and SBCA) for safety practices prior to performing these functions. Installers shall provide temporary bracing per BCSI. Unless noted otherwise, top chord shall have properly attached structural sheathing and bottom chord shall have a properly attached rigid ceiling. Locations shown for permanent lateral restraint of webs shall have continuous lateral restraint (CLR), installed with diagonal bracing installed on the CLR per BCSI sections B3, B7, or B10, as applicable. Apply plates to each face of truss and position as shown above and on the Joint Details, unless noted otherwise. Refer to drawings 160A-Z for standard plate positions. Refer to job's General Notes page for additional information.
 Alpine, a division of ITW Building Components Group Inc. shall not be responsible for any deviation from this drawing, any failure to build the truss in conformance with ANSI/TPI 1, or for handling, shipping, installation and bracing of trusses. A seal on this drawing or cover page listing this drawing, indicates acceptance of professional engineering responsibility solely for the design shown. The suitability and use of this drawing for any structure is the responsibility of the Building Designer per ANSI/TPI 1 Sec.2.
 For more information see these web sites: Alpine: alpineitw.com; TPI: tpinst.org; SBCA: sbccomponents.com; ICC: iccsafe.org; AWC: awc.org



Loading Criteria (psf) TCLL: 20.00 TCDL: 10.00 BCLL: 0.00 BCDL: 10.00 Des Ld: 40.00 NCBCLL: 10.00 Soffit: 2.00 Load Duration: 1.25 Spacing: 24.0 "	Wind Criteria Wind Std: ASCE 7-22 Speed: 130 mph Enclosure: Enclosed Risk Category: II EXP: C Kzt: NA Mean Height: 15.00 ft TCDL: 5.0 psf BCDL: 5.0 psf MWFRS Parallel Dist: 0 to h/2 C&C Dist a: 3.00 ft Loc. from endwall: Any GCp: 0.18 Wind Duration: 1.60	Snow Criteria (Pg,Pf in PSF) Pg: NA Ct: NA CAT: NA Pf: NA Ce: NA Lu: NA Cs: NA Snow Duration: NA Building Code: FBC 8th Ed. 2023 Res. TPI Std: 2014 Rep Fac: Varies by Ld Case FT/RT:20(0)/10(0) Plate Type(s): WAVE	Defl/CSI Criteria PP Deflection in loc L/defl L/# VERT(LL): 0.001 E 999 360 VERT(CL): 0.006 E 999 240 HORZ(LL): 0.002 B - - HORZ(TL): 0.006 B - - Creep Factor: 2.0 Max TC CSI: 0.223 Max BC CSI: 0.123 Max Web CSI: 0.163 VIEW Ver: 24.02.00D.0114.10	▲ Maximum Reactions (lbs) Gravity Non-Gravity Loc R+ /R- /Rh /Rw /U /RL F 185 /- /- /21 /- /124 D 66 /- /- /- /73 /- C 15 /-22 /- /- /5 /- Wind reactions based on MWFRS F Brg Wid = 4.2 Min Req = 1.5 (Truss) D Brg Wid = 1.5 Min Req = - C Brg Wid = 1.5 Min Req = - Bearing F is a rigid surface. Members not listed have forces less than 375#
--------------------------------------------------------------------------------------------------------------------------------------------------------------------------------------	--------------------------------------------------------------------------------------------------------------------------------------------------------------------------------------------------------------------------------------------------------------------------------------------------------------	------------------------------------------------------------------------------------------------------------------------------------------------------------------------------------------------------------------------------------------------------------------	-------------------------------------------------------------------------------------------------------------------------------------------------------------------------------------------------------------------------------------------------------------------------------------------------	--------------------------------------------------------------------------------------------------------------------------------------------------------------------------------------------------------------------------------------------------------------------------------------------------------------------------------------------------------------------------------------------

Lumber

Top chord: 2x4 SP #2;
Bot chord: 2x4 SP #2;
Webs: 2x4 SP #3;

Special Loads

----(Lumber Dur.Fac.=1.25 / Plate Dur.Fac.=1.25)
TC: From 0 plf at -2.42 to 61 plf at 0.00
TC: From 2 plf at 0.00 to 2 plf at 3.36
BC: From 0 plf at -2.42 to 4 plf at 0.00
BC: From 2 plf at 0.00 to 2 plf at 3.36
TC: -22 lb Conc. Load at 1.38
BC: 39 lb Conc. Load at 1.38

Wind

Wind loads and reactions based on MWFRS.
Left end vertical exposed to wind pressure. Deflection meets L/360.
Wind loading based on both gable and hip roof types.

Additional Notes

The overall height of this truss excluding overhang is 5-2-0.

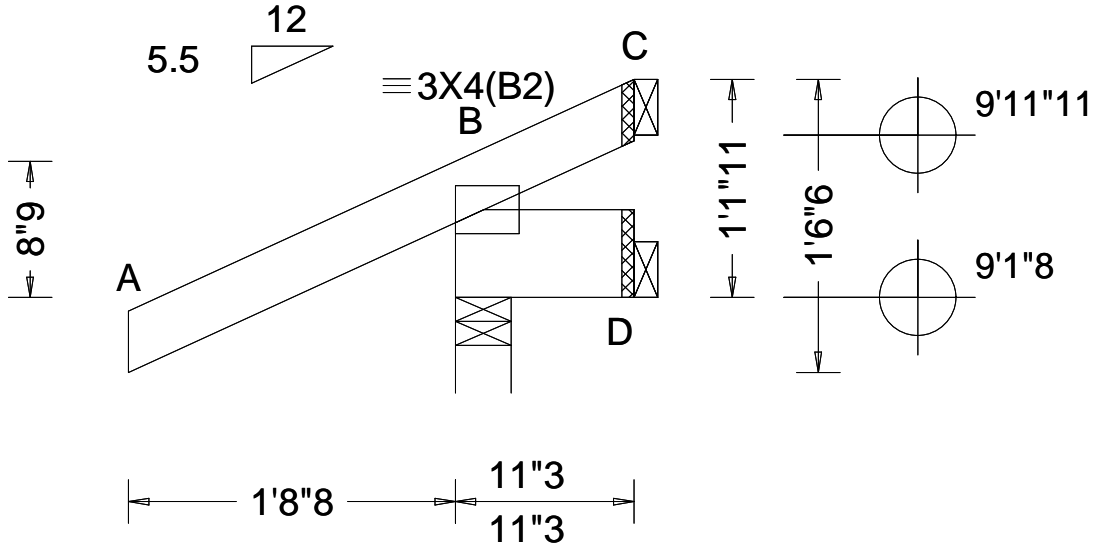


COA #0278

Florida Certificate of Product Approval #FL 1999

****WARNING** READ AND FOLLOW ALL NOTES ON THIS DRAWING!**
****IMPORTANT** FURNISH THIS DRAWING TO ALL CONTRACTORS INCLUDING THE INSTALLERS**
Trusses require extreme care in fabricating, handling, shipping, installing and bracing. Refer to and follow the latest edition of BCSI (Building Component Safety Information, by TPI and SBCA) for safety practices prior to performing these functions. Installers shall provide temporary bracing per BCSI. Unless noted otherwise, top chord shall have properly attached structural sheathing and bottom chord shall have a properly attached rigid ceiling. Locations shown for permanent lateral restraint of webs shall have continuous lateral restraint (CLR), installed with diagonal bracing installed on the CLR per BCSI sections B3, B7, or B10, as applicable. Apply plates to each face of truss and position as shown above and on the Joint Details, unless noted otherwise. Refer to drawings 160A-Z for standard plate positions. Refer to job's General Notes page for additional information.
Alpine, a division of ITW Building Components Group Inc. shall not be responsible for any deviation from this drawing, any failure to build the truss in conformance with ANSI/TPI 1, or for handling, shipping, installation and bracing of trusses. A seal on this drawing or cover page listing this drawing, indicates acceptance of professional engineering responsibility solely for the design shown. The suitability and use of this drawing for any structure is the responsibility of the Building Designer per ANSI/TPI 1 Sec.2.
For more information see these web sites: Alpine: alpineitw.com; TPI: tpinst.org; SBCA: sbccomponents.com; ICC: iccsafe.org; AWC: awc.org





Loading Criteria (psf) TCCL: 20.00 TCCL: 10.00 BCLL: 0.00 BCDL: 10.00 Des Ld: 40.00 NCBCLL: 10.00 Soffit: 2.00 Load Duration: 1.25 Spacing: 24.0 "	Wind Criteria Wind Std: ASCE 7-22 Speed: 130 mph Enclosure: Enclosed Risk Category: II EXP: C Kzt: NA Mean Height: 15.00 ft TCCL: 5.0 psf BCDL: 5.0 psf MWFRS Parallel Dist: 0 to h/2 C&C Dist a: 3.00 ft Loc. from endwall: Any GCp: 0.18 Wind Duration: 1.60	Snow Criteria (Pg,Pf in PSF) Pg: NA Ct: NA CAT: NA Pf: NA Ce: NA Lu: NA Cs: NA Snow Duration: NA Building Code: FBC 8th Ed. 2023 Res. TPI Std: 2014 Rep Fac: Yes FT/RT:20(0)/10(0) Plate Type(s): WAVE	Defl/CSI Criteria PP Deflection in loc L/defl L/# VERT(LL): NA VERT(CL): NA HORZ(LL): -0.001 C - - HORZ(TL): 0.002 C - - Creep Factor: 2.0 Max TC CSI: 0.316 Max BC CSI: 0.020 Max Web CSI: 0.000 VIEW Ver: 24.02.00D.0114.10	▲ Maximum Reactions (lbs) <table border="1"> <thead> <tr> <th rowspan="2">Loc</th> <th colspan="3">Gravity</th> <th colspan="3">Non-Gravity</th> </tr> <tr> <th>R+</th> <th>/R-</th> <th>/Rh</th> <th>/Rw</th> <th>/U</th> <th>/RL</th> </tr> </thead> <tbody> <tr> <td>B</td> <td>277</td> <td>/-</td> <td>/-</td> <td>/79</td> <td>/84</td> <td>/37</td> </tr> <tr> <td>D</td> <td>9</td> <td>/-12</td> <td>/-</td> <td>/12</td> <td>/-</td> <td>/-</td> </tr> <tr> <td>C</td> <td>-</td> <td>/-75</td> <td>/-</td> <td>/43</td> <td>/14</td> <td>/-</td> </tr> </tbody> </table>	Loc	Gravity			Non-Gravity			R+	/R-	/Rh	/Rw	/U	/RL	B	277	/-	/-	/79	/84	/37	D	9	/-12	/-	/12	/-	/-	C	-	/-75	/-	/43	/14	/-
				Loc		Gravity			Non-Gravity																													
R+	/R-	/Rh	/Rw		/U	/RL																																
B	277	/-	/-	/79	/84	/37																																
D	9	/-12	/-	/12	/-	/-																																
C	-	/-75	/-	/43	/14	/-																																
Wind reactions based on MWFRS B Brg Wid = 3.5 Min Req = 1.5 (Truss) D Brg Wid = 1.5 Min Req = - C Brg Wid = 1.5 Min Req = - Bearing B is a rigid surface. Members not listed have forces less than 375#																																						

Lumber

Top chord: 2x4 SP #2;
 Bot chord: 2x6 SP #2;

Wind

Wind loads based on MWFRS with additional C&C member design.
 Wind loading based on both gable and hip roof types.

Additional Notes

The overall height of this truss excluding overhang is 1-1-11.

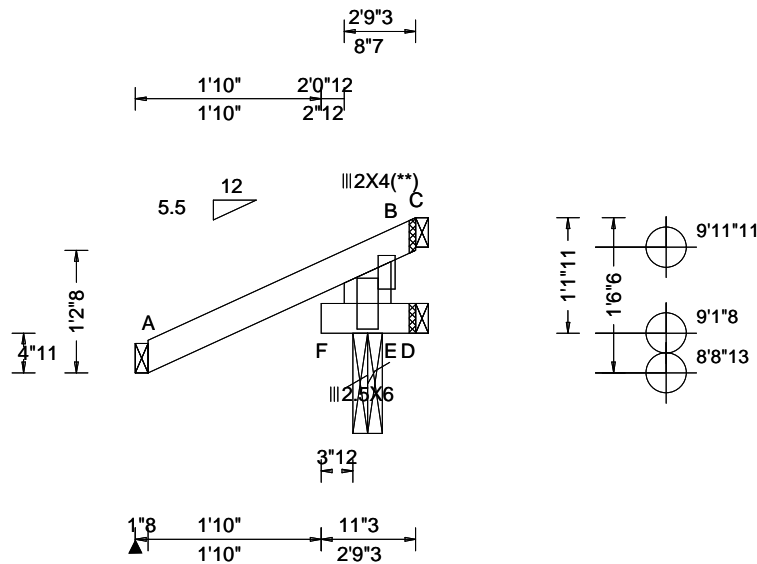


COA #0278

Florida Certificate of Product Approval #FL 1999

****WARNING** READ AND FOLLOW ALL NOTES ON THIS DRAWING!**
****IMPORTANT** FURNISH THIS DRAWING TO ALL CONTRACTORS INCLUDING THE INSTALLERS**
 Trusses require extreme care in fabricating, handling, shipping, installing and bracing. Refer to and follow the latest edition of BCSI (Building Component Safety Information, by TPI and SBCA) for safety practices prior to performing these functions. Installers shall provide temporary bracing per BCSI. Unless noted otherwise, top chord shall have properly attached structural sheathing and bottom chord shall have a properly attached rigid ceiling. Locations shown for permanent lateral restraint of webs shall have continuous lateral restraint (CLR), installed with diagonal bracing installed on the CLR per BCSI sections B3, B7, or B10, as applicable. Apply plates to each face of truss and position as shown above and on the Joint Details, unless noted otherwise. Refer to drawings 160A-Z for standard plate positions. Refer to job's General Notes page for additional information.
 Alpine, a division of ITW Building Components Group Inc. shall not be responsible for any deviation from this drawing, any failure to build the truss in conformance with ANSI/TPI 1, or for handling, shipping, installation and bracing of trusses. A seal on this drawing or cover page listing this drawing, indicates acceptance of professional engineering responsibility solely for the design shown. The suitability and use of this drawing for any structure is the responsibility of the Building Designer per ANSI/TPI 1 Sec.2.
 For more information see these web sites: Alpine: alpineitw.com; TPI: tpinst.org; SBCA: sbccomponents.com; ICC: iccsafe.org; AWC: awc.org





Loading Criteria (psf)	Wind Criteria	Snow Criteria (Pg,Pf in PSF)	Defl/CSI Criteria	▲ Maximum Reactions (lbs)
TCLL: 20.00 TCDL: 10.00 BCLL: 0.00 BCDL: 10.00 Des Ld: 40.00 NCBCLL: 10.00 Soffit: 2.00 Load Duration: 1.25 Spacing: 24.0 "	Wind Std: ASCE 7-22 Speed: 130 mph Enclosure: Enclosed Risk Category: II EXP: C Kzt: NA Mean Height: 15.00 ft TCDL: 5.0 psf BCDL: 5.0 psf MWFRS Parallel Dist: 0 to h/2 C&C Dist a: 3.00 ft Loc. from endwall: Any GCp: 0.18 Wind Duration: 1.60	Pg: NA Ct: NA CAT: NA Pf: NA Ce: NA Lu: NA Cs: NA Snow Duration: NA Building Code: FBC 8th Ed. 2023 Res. TPI Std: 2014 Rep Fac: Yes FT/RT:20(0)/10(0) Plate Type(s): WAVE	PP Deflection in loc L/defl L/# VERT(LL): NA VERT(CL): NA HORZ(LL): 0.000 B - - HORZ(TL): 0.000 B - - Creep Factor: 2.0 Max TC CSI: 0.047 Max BC CSI: 0.018 Max Web CSI: 0.050 VIEW Ver: 24.02.00D.0114.10	Gravity Non-Gravity Loc R+ /R- /Rh /Rw /U /RL A 65 /- /- /31 /12 /42 F 221 /- /- /147 /78 /- D - /-34 /- /- /17 /- C - /-90 /- /44 /52 /- Wind reactions based on MWFRS A Brg Wid = 1.5 Min Req = - F Brg Wid = 3.5 Min Req = 1.5 (Truss) D Brg Wid = 1.5 Min Req = - C Brg Wid = 1.5 Min Req = - Bearing F is a rigid surface. Members not listed have forces less than 375# Maximum Web Forces Per Ply (lbs) Webs Tens.Comp. B - E 399 -186

Lumber

Top chord: 2x4 SP M-31;
Bot chord: 2x4 SP #2;
Webs: 2x6 SP #2;

Plating Notes

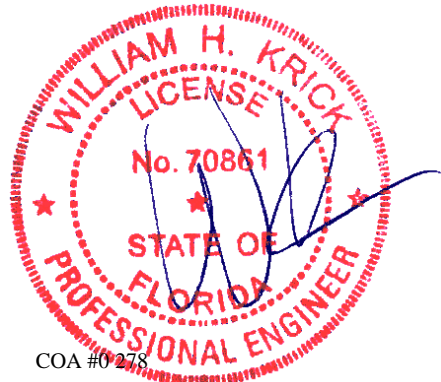
(**) 1 plate(s) require special positioning. Refer to scaled plate plot details for special positioning requirements.

Wind

Wind loads based on MWFRS with additional C&C member design.
Wind loading based on both gable and hip roof types.

Additional Notes

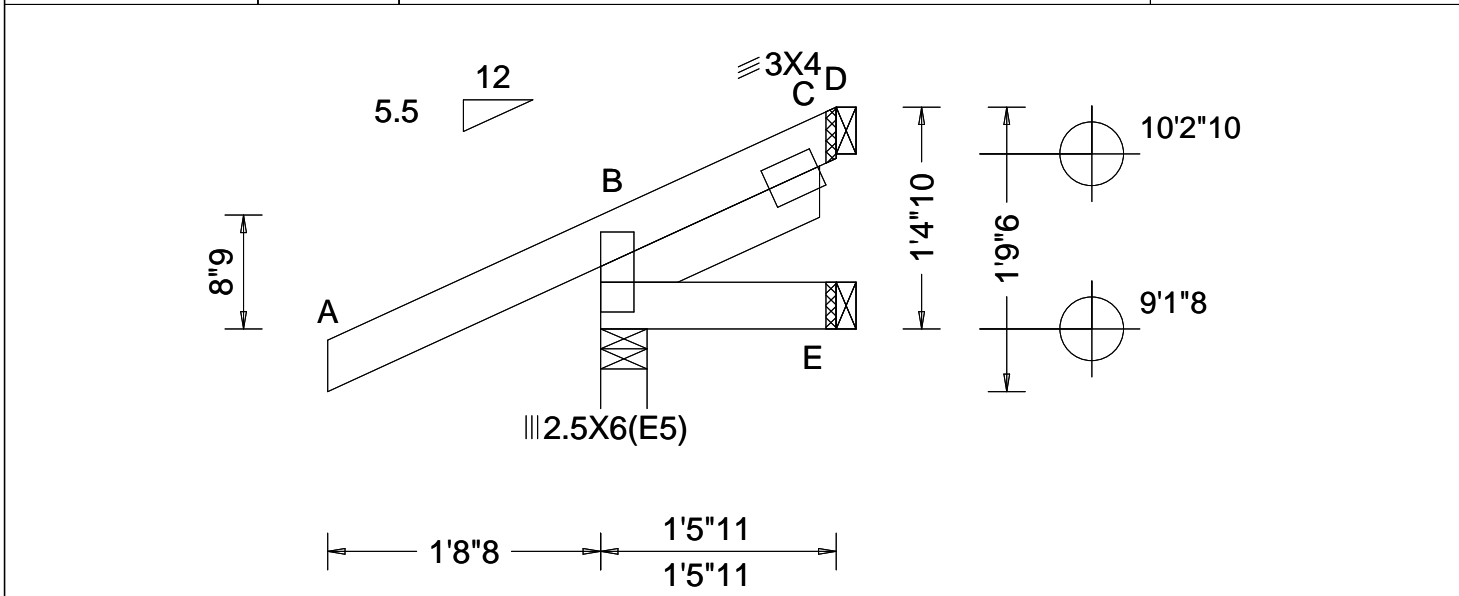
The overall height of this truss excluding overhang is 1-1-11.



COA #0278
04/02/2026
Florida Certificate of Product Approval #FL 1999

****WARNING** READ AND FOLLOW ALL NOTES ON THIS DRAWING!**
****IMPORTANT** FURNISH THIS DRAWING TO ALL CONTRACTORS INCLUDING THE INSTALLERS**
Trusses require extreme care in fabricating, handling, shipping, installing and bracing. Refer to and follow the latest edition of BCSI (Building Component Safety Information, by TPI and SBCA) for safety practices prior to performing these functions. Installers shall provide temporary bracing per BCSI. Unless noted otherwise, top chord shall have properly attached structural sheathing and bottom chord shall have a properly attached rigid ceiling. Locations shown for permanent lateral restraint of webs shall have continuous lateral restraint (CLR), installed with diagonal bracing installed on the CLR per BCSI sections B3, B7, or B10, as applicable. Apply plates to each face of truss and position as shown above and on the Joint Details, unless noted otherwise. Refer to drawings 160A-Z for standard plate positions. Refer to job's General Notes page for additional information.
Alpine, a division of ITW Building Components Group Inc. shall not be responsible for any deviation from this drawing, any failure to build the truss in conformance with ANSI/TPI 1, or for handling, shipping, installation and bracing of trusses. A seal on this drawing or cover page listing this drawing, indicates acceptance of professional engineering responsibility solely for the design shown. The suitability and use of this drawing for any structure is the responsibility of the Building Designer per ANSI/TPI 1 Sec.2.
For more information see these web sites: Alpine: alpineitw.com; TPI: tpinst.org; SBCA: sbccomponents.com; ICC: iccsafe.org; AWC: awc.org





Loading Criteria (psf) TCCL: 20.00 TCDL: 10.00 BCLL: 0.00 BCDL: 10.00 Des Ld: 40.00 NCBCLL: 10.00 Soffit: 2.00 Load Duration: 1.25 Spacing: 24.0 "	Wind Criteria Wind Std: ASCE 7-22 Speed: 130 mph Enclosure: Enclosed Risk Category: II EXP: C Kzt: NA Mean Height: 15.00 ft TCCL: 5.0 psf BCDL: 5.0 psf MWFRS Parallel Dist: 0 to h/2 C&C Dist a: 3.00 ft Loc. from endwall: Any GCp: 0.18 Wind Duration: 1.60	Snow Criteria (Pg,Pf in PSF) Pg: NA Ct: NA CAT: NA Pf: NA Ce: NA Lu: NA Cs: NA Snow Duration: NA Building Code: FBC 8th Ed. 2023 Res. TPI Std: 2014 Rep Fac: Yes FT/RT:20(0)/10(0) Plate Type(s): WAVE	Defl/CSI Criteria PP Deflection in loc L/defl L/# VERT(LL): NA VERT(CL): NA HORZ(LL): -0.000 C - - HORZ(TL): 0.000 C - - Creep Factor: 2.0 Max TC CSI: 0.293 Max BC CSI: 0.018 Max Web CSI: 0.010 VIEW Ver: 24.02.00D.0114.10	▲ Maximum Reactions (lbs) <table border="1"> <thead> <tr> <th rowspan="2">Loc</th> <th colspan="3">Gravity</th> <th colspan="3">Non-Gravity</th> </tr> <tr> <th>R+</th> <th>/R-</th> <th>/Rh</th> <th>/Rw</th> <th>/U</th> <th>/RL</th> </tr> </thead> <tbody> <tr> <td>B</td> <td>240</td> <td>/-</td> <td>/-</td> <td>/75</td> <td>/56</td> <td>/45</td> </tr> <tr> <td>E</td> <td>28</td> <td>/-</td> <td>/-</td> <td>/14</td> <td>/-</td> <td>/-</td> </tr> <tr> <td>D</td> <td>-</td> <td>/-20</td> <td>/-</td> <td>/29</td> <td>/9</td> <td>/-</td> </tr> </tbody> </table>	Loc	Gravity			Non-Gravity			R+	/R-	/Rh	/Rw	/U	/RL	B	240	/-	/-	/75	/56	/45	E	28	/-	/-	/14	/-	/-	D	-	/-20	/-	/29	/9	/-
				Loc		Gravity			Non-Gravity																													
R+	/R-	/Rh	/Rw		/U	/RL																																
B	240	/-	/-	/75	/56	/45																																
E	28	/-	/-	/14	/-	/-																																
D	-	/-20	/-	/29	/9	/-																																
Wind reactions based on MWFRS B Brg Wid = 3.5 Min Req = 1.5 (Truss) E Brg Wid = 1.5 Min Req = - D Brg Wid = 1.5 Min Req = - Bearing B is a rigid surface. Members not listed have forces less than 375#																																						

Lumber

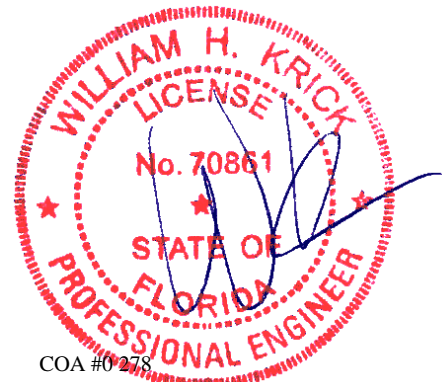
Top chord: 2x4 SP #2;
 Bot chord: 2x4 SP #2;
 Lt Slider: 2x4 SP #3; block length = 1.548'

Wind

Wind loads based on MWFRS with additional C&C member design.
 Wind loading based on both gable and hip roof types.

Additional Notes

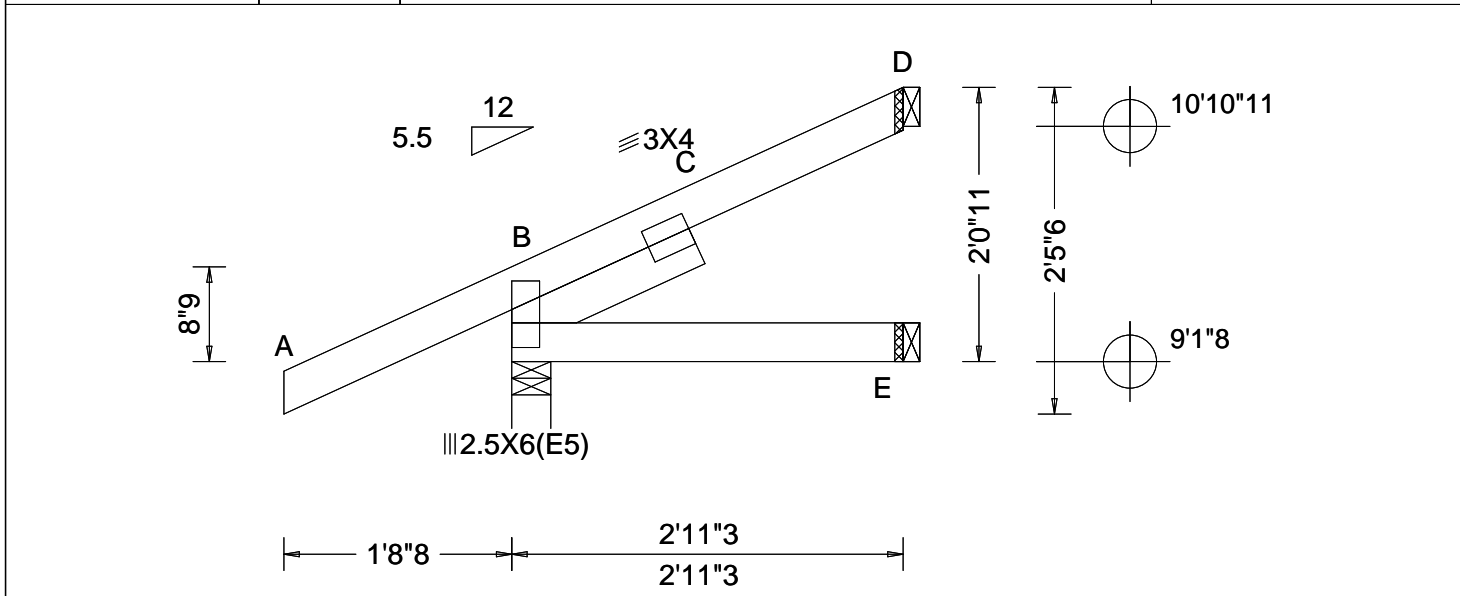
The overall height of this truss excluding overhang is 1-4-10.



COA #0278
 01/02/2026
 Florida Certificate of Product Approval #FL 1999

****WARNING** READ AND FOLLOW ALL NOTES ON THIS DRAWING!**
****IMPORTANT** FURNISH THIS DRAWING TO ALL CONTRACTORS INCLUDING THE INSTALLERS**
 Trusses require extreme care in fabricating, handling, shipping, installing and bracing. Refer to and follow the latest edition of BCSI (Building Component Safety Information, by TPI and SBCA) for safety practices prior to performing these functions. Installers shall provide temporary bracing per BCSI. Unless noted otherwise, top chord shall have properly attached structural sheathing and bottom chord shall have a properly attached rigid ceiling. Locations shown for permanent lateral restraint of webs shall have continuous lateral restraint (CLR), installed with diagonal bracing installed on the CLR per BCSI sections B3, B7, or B10, as applicable. Apply plates to each face of truss and position as shown above and on the Joint Details, unless noted otherwise. Refer to drawings 160A-Z for standard plate positions. Refer to job's General Notes page for additional information.
 Alpine, a division of ITW Building Components Group Inc. shall not be responsible for any deviation from this drawing, any failure to build the truss in conformance with ANSI/TPI 1, or for handling, shipping, installation and bracing of trusses. A seal on this drawing or cover page listing this drawing, indicates acceptance of professional engineering responsibility solely for the design shown. The suitability and use of this drawing for any structure is the responsibility of the Building Designer per ANSI/TPI 1 Sec.2.
 For more information see these web sites: Alpine: alpineitw.com; TPI: tpinst.org; SBCA: sbccomponents.com; ICC: iccsafe.org; AWC: awc.org



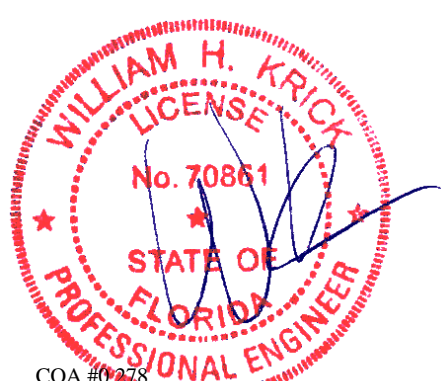


Loading Criteria (psf) TCCL: 20.00 TCDL: 10.00 BCLL: 0.00 BCDL: 10.00 Des Ld: 40.00 NCBCLL: 10.00 Soffit: 2.00 Load Duration: 1.25 Spacing: 24.0 "	Wind Criteria Wind Std: ASCE 7-22 Speed: 130 mph Enclosure: Enclosed Risk Category: II EXP: C Kzt: NA Mean Height: 15.00 ft TCDL: 5.0 psf BCDL: 5.0 psf MWFRS Parallel Dist: 0 to h/2 C&C Dist a: 3.00 ft Loc. from endwall: not in 4.50 ft GCcpi: 0.18 Wind Duration: 1.60	Snow Criteria (Pg,Pf in PSF) Pg: NA Ct: NA CAT: NA Pf: NA Ce: NA Lu: NA Cs: NA Snow Duration: NA Building Code: FBC 8th Ed. 2023 Res. TPI Std: 2014 Rep Fac: Yes FT/RT:20(0)/10(0) Plate Type(s): WAVE	Defl/CSI Criteria PP Deflection in loc L/defl L/# VERT(LL): NA VERT(CL): NA HORZ(LL): 0.001 C - - HORZ(TL): 0.004 C - - Creep Factor: 2.0 Max TC CSI: 0.288 Max BC CSI: 0.079 Max Web CSI: 0.048 VIEW Ver: 24.02.00D.0114.10	▲ Maximum Reactions (lbs) <table border="1"> <thead> <tr> <th rowspan="2">Loc</th> <th colspan="3">Gravity</th> <th colspan="3">Non-Gravity</th> </tr> <tr> <th>R+</th> <th>/R-</th> <th>/Rh</th> <th>/Rw</th> <th>/U</th> <th>/RL</th> </tr> </thead> <tbody> <tr> <td>B</td> <td>267</td> <td>/-</td> <td>/-</td> <td>/98</td> <td>/43</td> <td>/69</td> </tr> <tr> <td>E</td> <td>54</td> <td>/-</td> <td>/-</td> <td>/31</td> <td>/-</td> <td>/-</td> </tr> <tr> <td>D</td> <td>59</td> <td>/-</td> <td>/-</td> <td>/54</td> <td>/38</td> <td>/-</td> </tr> </tbody> </table>	Loc	Gravity			Non-Gravity			R+	/R-	/Rh	/Rw	/U	/RL	B	267	/-	/-	/98	/43	/69	E	54	/-	/-	/31	/-	/-	D	59	/-	/-	/54	/38	/-
				Loc		Gravity			Non-Gravity																													
R+	/R-	/Rh	/Rw		/U	/RL																																
B	267	/-	/-	/98	/43	/69																																
E	54	/-	/-	/31	/-	/-																																
D	59	/-	/-	/54	/38	/-																																
Wind reactions based on MWFRS B Brg Wid = 3.5 Min Req = 1.5 (Truss) E Brg Wid = 1.5 Min Req = - D Brg Wid = 1.5 Min Req = - Bearing B is a rigid surface. Members not listed have forces less than 375#																																						

Lumber
 Top chord: 2x4 SP #2;
 Bot chord: 2x4 SP #2;
 Lt Slider: 2x4 SP #3; block length = 1.50'

Wind
 Wind loads based on MWFRS with additional C&C member design.
 Wind loading based on both gable and hip roof types.

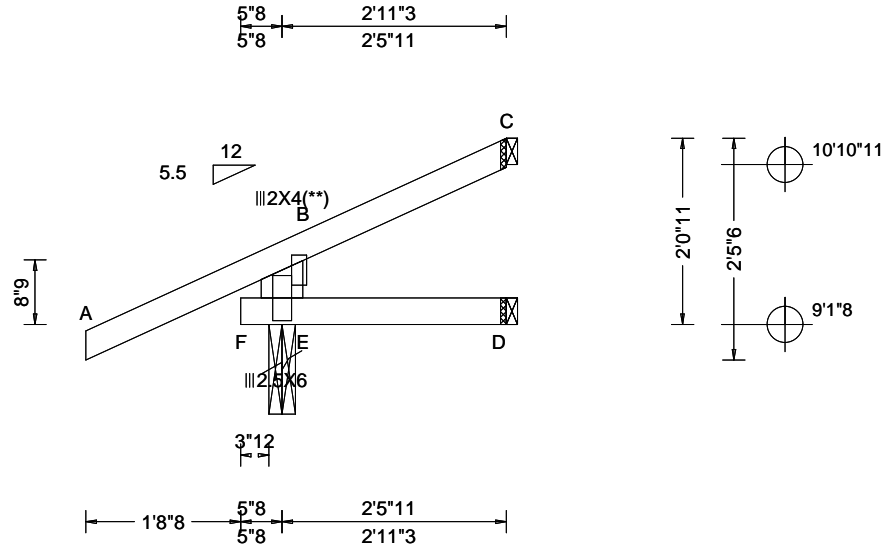
Additional Notes
 The overall height of this truss excluding overhang is 2-0-11.



COA #0278
 01/02/2026
 Florida Certificate of Product Approval #FL 1999

****WARNING** READ AND FOLLOW ALL NOTES ON THIS DRAWING!**
****IMPORTANT** FURNISH THIS DRAWING TO ALL CONTRACTORS INCLUDING THE INSTALLERS**
 Trusses require extreme care in fabricating, handling, shipping, installing and bracing. Refer to and follow the latest edition of BCSI (Building Component Safety Information, by TPI and SBCA) for safety practices prior to performing these functions. Installers shall provide temporary bracing per BCSI. Unless noted otherwise, top chord shall have properly attached structural sheathing and bottom chord shall have a properly attached rigid ceiling. Locations shown for permanent lateral restraint of webs shall have continuous lateral restraint (CLR), installed with diagonal bracing installed on the CLR per BCSI sections B3, B7, or B10, as applicable. Apply plates to each face of truss and position as shown above and on the Joint Details, unless noted otherwise. Refer to drawings 160A-Z for standard plate positions. Refer to job's General Notes page for additional information.
 Alpine, a division of ITW Building Components Group Inc. shall not be responsible for any deviation from this drawing, any failure to build the truss in conformance with ANSI/TPI 1, or for handling, shipping, installation and bracing of trusses. A seal on this drawing or cover page listing this drawing, indicates acceptance of professional engineering responsibility solely for the design shown. The suitability and use of this drawing for any structure is the responsibility of the Building Designer per ANSI/TPI 1 Sec.2.
 For more information see these web sites: Alpine: alpineitw.com; TPI: tpinst.org; SBCA: sbccomponents.com; ICC: iccsafe.org; AWC: awc.org





Loading Criteria (psf)	Wind Criteria	Snow Criteria (Pg,Pf in PSF)	Defl/CSI Criteria	▲ Maximum Reactions (lbs)						
				Gravity			Non-Gravity			
TCLL: 20.00	Wind Std: ASCE 7-22	Pg: NA Ct: NA CAT: NA	PP Deflection in loc L/defl L/#	Loc	R+	/R-	/Rh	/Rw	/U	/RL
TCDL: 10.00	Speed: 130 mph	Pf: NA Ce: NA	VERT(LL): 0.000 B 999 360	F	331	/-	/-	/124	/103	/-
BCLL: 0.00	Enclosure: Enclosed	Lu: NA Cs: NA	VERT(CL): 0.000 B 999 240	D	43	/-	/-	/20	/-	/-
BCDL: 10.00	Risk Category: II	Snow Duration: NA	HORZ(LL): 0.000 B - -	C	-	/-10	/-	/61	/1	/69
Des Ld: 40.00	EXP: C Kzt: NA	Building Code:	HORZ(TL): 0.000 B - -	Wind reactions based on MWFRS						
NCBCLL: 10.00	Mean Height: 15.00 ft	FBC 8th Ed. 2023 Res.	Creep Factor: 2.0	F Brg Wid = 3.5 Min Req = 1.5 (Truss)						
Soffit: 2.00	TCDL: 5.0 psf	TPI Std: 2014	Max TC CSI: 0.564	D Brg Wid = 1.5 Min Req = -						
Load Duration: 1.25	BCDL: 5.0 psf	Rep Fac: Yes	Max BC CSI: 0.048	C Brg Wid = 1.5 Min Req = -						
Spacing: 24.0 "	MWFRS Parallel Dist: 0 to h/2	FT/RT:20(0)/10(0)	Max Web CSI: 0.065	Bearing F is a rigid surface.						
	C&C Dist a: 3.00 ft	Plate Type(s):	VIEW Ver: 24.02.00D.0114.10	Members not listed have forces less than 375#						
	Loc. from endwall: not in 4.50 ft	WAVE		Maximum Web Forces Per Ply (lbs)						
	GCp: 0.18			Webs	Tens.Comp.					
	Wind Duration: 1.60			B - E	511	-297				

Lumber

Top chord: 2x4 SP #2;
Bot chord: 2x4 SP #2;
Webs: 2x6 SP #2;

Plating Notes

(**) 1 plate(s) require special positioning. Refer to scaled plate plot details for special positioning requirements.

Wind

Wind loads based on MWFRS with additional C&C member design.

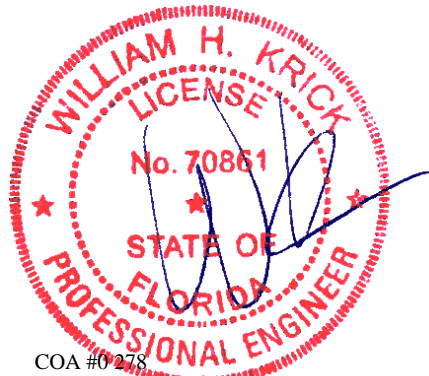
Left end vertical not exposed to wind pressure.

Left cantilever is exposed to wind

Wind loading based on both gable and hip roof types.

Additional Notes

The overall height of this truss excluding overhang is 2'-0"-11".

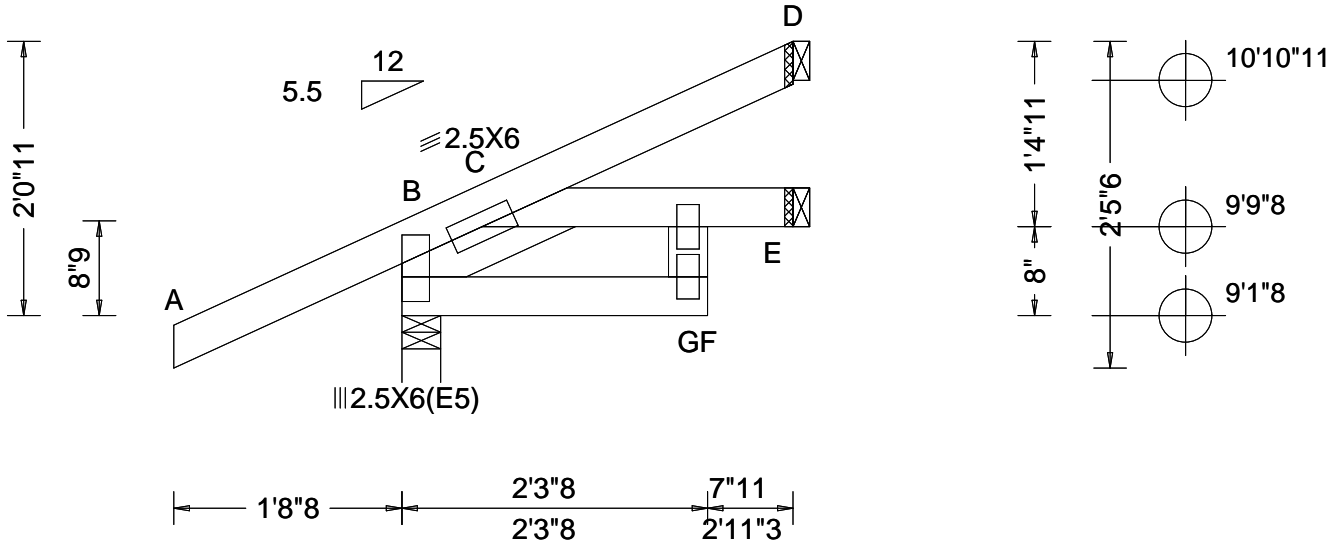


COA #0278

04/02/2026 Florida Certificate of Product Approval #FL 1999

****WARNING** READ AND FOLLOW ALL NOTES ON THIS DRAWING!**
****IMPORTANT** FURNISH THIS DRAWING TO ALL CONTRACTORS INCLUDING THE INSTALLERS**
Trusses require extreme care in fabricating, handling, shipping, installing and bracing. Refer to and follow the latest edition of BCSI (Building Component Safety Information, by TPI and SBCA) for safety practices prior to performing these functions. Installers shall provide temporary bracing per BCSI. Unless noted otherwise, top chord shall have properly attached structural sheathing and bottom chord shall have a properly attached rigid ceiling. Locations shown for permanent lateral restraint of webs shall have continuous lateral restraint (CLR), installed with diagonal bracing installed on the CLR per BCSI sections B3, B7, or B10, as applicable. Apply plates to each face of truss and position as shown above and on the Joint Details, unless noted otherwise. Refer to drawings 160A-Z for standard plate positions. Refer to job's General Notes page for additional information.
Alpine, a division of ITW Building Components Group Inc. shall not be responsible for any deviation from this drawing, any failure to build the truss in conformance with ANSI/TPI 1, or for handling, shipping, installation and bracing of trusses. A seal on this drawing or cover page listing this drawing, indicates acceptance of professional engineering responsibility solely for the design shown. The suitability and use of this drawing for any structure is the responsibility of the Building Designer per ANSI/TPI 1 Sec.2.
For more information see these web sites: Alpine: alpineitw.com; TPI: tpinst.org; SBCA: sbccomponents.com; ICC: iccsafe.org; AWC: awc.org





Loading Criteria (psf)	Wind Criteria	Snow Criteria (Pg,Pf in PSF)	Defl/CSI Criteria	▲ Maximum Reactions (lbs)
TCLL: 20.00 TCDL: 10.00 BCLL: 0.00 BCDL: 10.00 Des Ld: 40.00 NCBCLL: 10.00 Soffit: 2.00 Load Duration: 1.25 Spacing: 24.0 "	Wind Std: ASCE 7-22 Speed: 130 mph Enclosure: Enclosed Risk Category: II EXP: C Kzt: NA Mean Height: 15.00 ft TCDL: 5.0 psf BCDL: 5.0 psf MWFRS Parallel Dist: 0 to h/2 C&C Dist a: 3.00 ft Loc. from endwall: not in 4.50 ft GCp: 0.18 Wind Duration: 1.60	Pg: NA Ct: NA CAT: NA Pf: NA Ce: NA Lu: NA Cs: NA Snow Duration: NA Building Code: FBC 8th Ed. 2023 Res. TPI Std: 2014 Rep Fac: Yes FT/RT:20(0)/10(0) Plate Type(s): WAVE	PP Deflection in loc L/defl L/# VERT(LL): 0.001 F 999 360 VERT(CL): 0.005 F 999 240 HORZ(LL): 0.000 G - - HORZ(TL): 0.003 C - - Creep Factor: 2.0 Max TC CSI: 0.252 Max BC CSI: 0.056 Max Web CSI: 0.033 VIEW Ver: 24.02.00D.0114.10	Gravity Loc R+ / R- / Rh / Rw / U / RL Non-Gravity B 267 /- /- /98 /43 /69 E 52 /- /- /33 /- /- D 60 /- /- /51 /36 /- Wind reactions based on MWFRS B Brg Wid = 3.5 Min Req = 1.5 (Truss) E Brg Wid = 1.5 Min Req = - D Brg Wid = 1.5 Min Req = - Bearing B is a rigid surface. Members not listed have forces less than 375#

Lumber

Top chord: 2x4 SP #2;
Bot chord: 2x4 SP #2;
Webs: 2x4 SP #3;
Lt Slider: 2x4 SP #3; block length = 1.339'

Plating Notes

All plates are 2X4 except as noted.

Wind

Wind loads based on MWFRS with additional C&C member design.
Wind loading based on both gable and hip roof types.

Additional Notes

The overall height of this truss excluding overhang is 2'-0"-11".

Note: Laterally brace bottom chord above filler at 20" O.C.Max. including a lateral brace at chord ends.

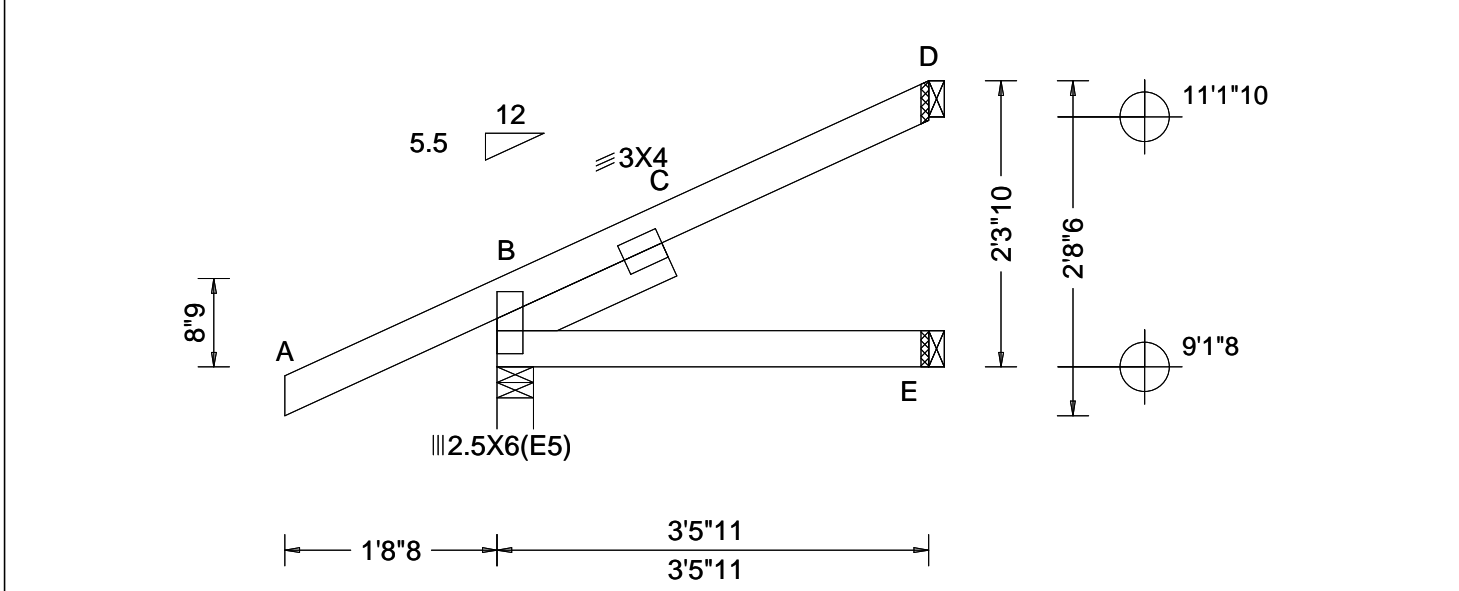


COA #0278

Florida Certificate of Product Approval #FL 1999

****WARNING** READ AND FOLLOW ALL NOTES ON THIS DRAWING!**
****IMPORTANT** FURNISH THIS DRAWING TO ALL CONTRACTORS INCLUDING THE INSTALLERS**
Trusses require extreme care in fabricating, handling, shipping, installing and bracing. Refer to and follow the latest edition of BCSI (Building Component Safety Information, by TPI and SBCA) for safety practices prior to performing these functions. Installers shall provide temporary bracing per BCSI. Unless noted otherwise, top chord shall have properly attached structural sheathing and bottom chord shall have a properly attached rigid ceiling. Locations shown for permanent lateral restraint of webs shall have continuous lateral restraint (CLR), installed with diagonal bracing installed on the CLR per BCSI sections B3, B7, or B10, as applicable. Apply plates to each face of truss and position as shown above and on the Joint Details, unless noted otherwise. Refer to drawings 160A-Z for standard plate positions. Refer to job's General Notes page for additional information.
Alpine, a division of ITW Building Components Group Inc. shall not be responsible for any deviation from this drawing, any failure to build the truss in conformance with ANSI/TPI 1, or for handling, shipping, installation and bracing of trusses. A seal on this drawing or cover page listing this drawing, indicates acceptance of professional engineering responsibility solely for the design shown. The suitability and use of this drawing for any structure is the responsibility of the Building Designer per ANSI/TPI 1 Sec.2.
For more information see these web sites: Alpine: alpineitw.com; TPI: tpinst.org; SBCA: sbccomponents.com; ICC: iccsafe.org; AWC: awc.org





Loading Criteria (psf) TCCL: 20.00 TCCL: 10.00 BCCL: 0.00 BCDL: 10.00 Des Ld: 40.00 NCBCLL: 10.00 Soffit: 2.00 Load Duration: 1.25 Spacing: 24.0 "	Wind Criteria Wind Std: ASCE 7-22 Speed: 130 mph Enclosure: Enclosed Risk Category: II EXP: C Kzt: NA Mean Height: 15.00 ft TCCL: 5.0 psf BCDL: 5.0 psf MWFRS Parallel Dist: 0 to h/2 C&C Dist a: 3.00 ft Loc. from endwall: not in 4.50 ft GCp: 0.18 Wind Duration: 1.60	Snow Criteria (Pg,Pf in PSF) Pg: NA Ct: NA CAT: NA Pf: NA Ce: NA Lu: NA Cs: NA Snow Duration: NA Building Code: FBC 8th Ed. 2023 Res. TPI Std: 2014 Rep Fac: Yes FT/RT:20(0)/10(0) Plate Type(s): WAVE	Defl/CSI Criteria PP Deflection in loc L/defl L/# VERT(LL): NA VERT(CL): NA HORZ(LL): 0.003 C - - HORZ(TL): 0.007 C - - Creep Factor: 2.0 Max TC CSI: 0.294 Max BC CSI: 0.115 Max Web CSI: 0.080 VIEW Ver: 24.02.00D.0114.10	▲ Maximum Reactions (lbs) <table border="1"> <thead> <tr> <th rowspan="2">Loc</th> <th colspan="3">Gravity</th> <th colspan="3">Non-Gravity</th> </tr> <tr> <th>R+</th> <th>/R-</th> <th>/Rh</th> <th>/Rw</th> <th>/U</th> <th>/RL</th> </tr> </thead> <tbody> <tr> <td>B</td> <td>284</td> <td>-</td> <td>-</td> <td>/109</td> <td>/43</td> <td>/78</td> </tr> <tr> <td>E</td> <td>64</td> <td>-</td> <td>-</td> <td>/37</td> <td>-</td> <td>-</td> </tr> <tr> <td>D</td> <td>79</td> <td>-</td> <td>-</td> <td>/63</td> <td>/47</td> <td>-</td> </tr> </tbody> </table>	Loc	Gravity			Non-Gravity			R+	/R-	/Rh	/Rw	/U	/RL	B	284	-	-	/109	/43	/78	E	64	-	-	/37	-	-	D	79	-	-	/63	/47	-
				Loc		Gravity			Non-Gravity																													
R+	/R-	/Rh	/Rw		/U	/RL																																
B	284	-	-	/109	/43	/78																																
E	64	-	-	/37	-	-																																
D	79	-	-	/63	/47	-																																
Wind reactions based on MWFRS B Brg Wid = 3.5 Min Req = 1.5 (Truss) E Brg Wid = 1.5 Min Req = - D Brg Wid = 1.5 Min Req = - Bearing B is a rigid surface. Members not listed have forces less than 375#																																						

Lumber

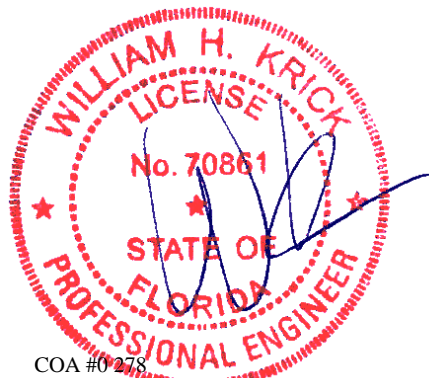
Top chord: 2x4 SP #2;
 Bot chord: 2x4 SP #2;
 Lt Slider: 2x4 SP #3; block length = 1.50'

Wind

Wind loads based on MWFRS with additional C&C member design.
 Wind loading based on both gable and hip roof types.

Additional Notes

The overall height of this truss excluding overhang is 2-3-10.

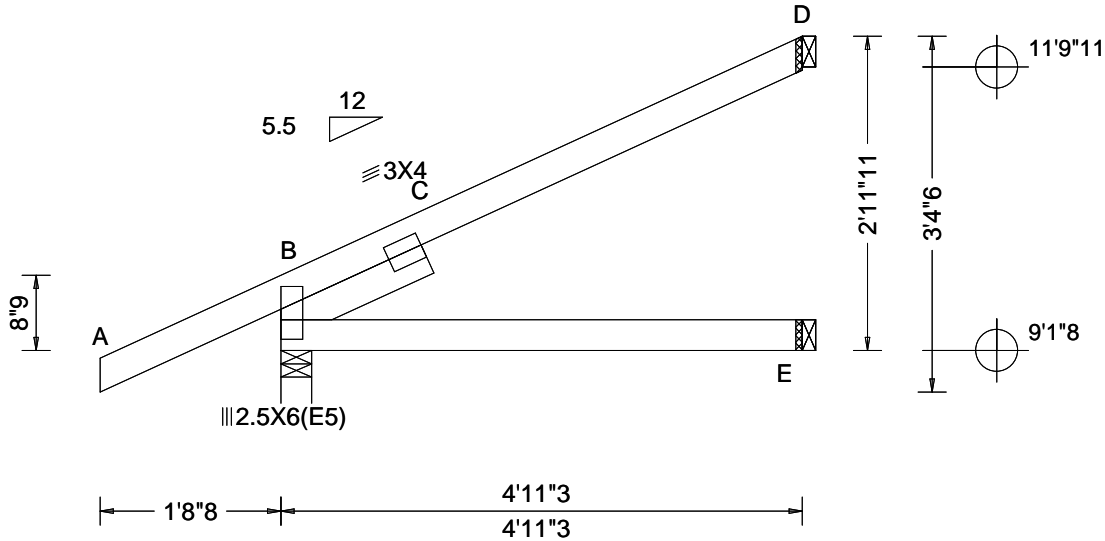


COA #0278

01/02/2026
 Florida Certificate of Product Approval #FL 1999

****WARNING** READ AND FOLLOW ALL NOTES ON THIS DRAWING!**
****IMPORTANT** FURNISH THIS DRAWING TO ALL CONTRACTORS INCLUDING THE INSTALLERS**
 Trusses require extreme care in fabricating, handling, shipping, installing and bracing. Refer to and follow the latest edition of BCSI (Building Component Safety Information, by TPI and SBCA) for safety practices prior to performing these functions. Installers shall provide temporary bracing per BCSI. Unless noted otherwise, top chord shall have properly attached structural sheathing and bottom chord shall have a properly attached rigid ceiling. Locations shown for permanent lateral restraint of webs shall have continuous lateral restraint (CLR), installed with diagonal bracing installed on the CLR per BCSI sections B3, B7, or B10, as applicable. Apply plates to each face of truss and position as shown above and on the Joint Details, unless noted otherwise. Refer to drawings 160A-Z for standard plate positions. Refer to job's General Notes page for additional information.
 Alpine, a division of ITW Building Components Group Inc. shall not be responsible for any deviation from this drawing, any failure to build the truss in conformance with ANSI/TPI 1, or for handling, shipping, installation and bracing of trusses. A seal on this drawing or cover page listing this drawing, indicates acceptance of professional engineering responsibility solely for the design shown. The suitability and use of this drawing for any structure is the responsibility of the Building Designer per ANSI/TPI 1 Sec.2.
 For more information see these web sites: Alpine: alpineitw.com; TPI: tpinst.org; SBCA: sbccomponents.com; ICC: iccsafe.org; AWC: awc.org





Loading Criteria (psf) TCLL: 20.00 TCDL: 10.00 BCLL: 0.00 BCDL: 10.00 Des Ld: 40.00 NCBCLL: 10.00 Soffit: 2.00 Load Duration: 1.25 Spacing: 24.0 "	Wind Criteria Wind Std: ASCE 7-22 Speed: 130 mph Enclosure: Enclosed Risk Category: II EXP: C Kzt: NA Mean Height: 15.00 ft TCDL: 5.0 psf BCDL: 5.0 psf MWFRS Parallel Dist: 0 to h/2 C&C Dist a: 3.00 ft Loc. from endwall: not in 4.50 ft GCp: 0.18 Wind Duration: 1.60	Snow Criteria (Pg,Pf in PSF) Pg: NA Ct: NA CAT: NA Pf: NA Ce: NA Lu: NA Cs: NA Snow Duration: NA Building Code: FBC 8th Ed. 2023 Res. TPI Std: 2014 Rep Fac: Yes FT/RT:20(0)/10(0) Plate Type(s): WAVE	Defl/CSI Criteria PP Deflection in loc L/defl L/# VERT(LL): NA VERT(CL): NA HORZ(LL): 0.016 C - - HORZ(TL): 0.031 C - - Creep Factor: 2.0 Max TC CSI: 0.447 Max BC CSI: 0.252 Max Web CSI: 0.237 VIEW Ver: 24.02.00D.0114.10	▲ Maximum Reactions (lbs) <table border="1"> <thead> <tr> <th rowspan="2">Loc</th> <th colspan="3">Gravity</th> <th colspan="3">Non-Gravity</th> </tr> <tr> <th>R+</th> <th>/R-</th> <th>/Rh</th> <th>/Rw</th> <th>/U</th> <th>/RL</th> </tr> </thead> <tbody> <tr> <td>B</td> <td>335</td> <td>/-</td> <td>/-</td> <td>/138</td> <td>/46</td> <td>/102</td> </tr> <tr> <td>E</td> <td>92</td> <td>/-</td> <td>/-</td> <td>/53</td> <td>/-</td> <td>/-</td> </tr> <tr> <td>D</td> <td>128</td> <td>/-</td> <td>/-</td> <td>/89</td> <td>/68</td> <td>/-</td> </tr> </tbody> </table>	Loc	Gravity			Non-Gravity			R+	/R-	/Rh	/Rw	/U	/RL	B	335	/-	/-	/138	/46	/102	E	92	/-	/-	/53	/-	/-	D	128	/-	/-	/89	/68	/-
				Loc		Gravity			Non-Gravity																													
R+	/R-	/Rh	/Rw		/U	/RL																																
B	335	/-	/-	/138	/46	/102																																
E	92	/-	/-	/53	/-	/-																																
D	128	/-	/-	/89	/68	/-																																
Wind reactions based on MWFRS B Brg Wid = 3.5 Min Req = 1.5 (Truss) E Brg Wid = 1.5 Min Req = - D Brg Wid = 1.5 Min Req = - Bearing B is a rigid surface. Members not listed have forces less than 375# Maximum Top Chord Forces Per Ply (lbs) <table border="1"> <thead> <tr> <th>Chords</th> <th>Tens.</th> <th>Comp.</th> </tr> </thead> <tbody> <tr> <td>B - C</td> <td>392</td> <td>-524</td> </tr> </tbody> </table>				Chords	Tens.	Comp.	B - C	392	-524																													
Chords	Tens.	Comp.																																				
B - C	392	-524																																				

Lumber

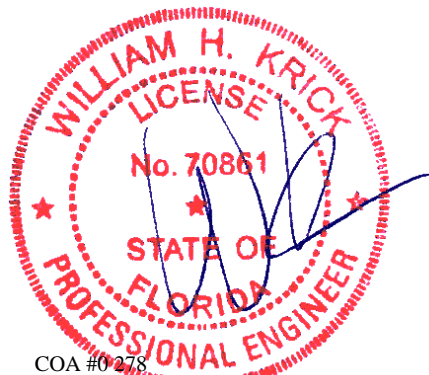
Top chord: 2x4 SP #2;
 Bot chord: 2x4 SP #2;
 Lt Slider: 2x4 SP #3; block length = 1.50'

Wind

Wind loads based on MWFRS with additional C&C member design.
 Wind loading based on both gable and hip roof types.

Additional Notes

The overall height of this truss excluding overhang is 2-11-11.

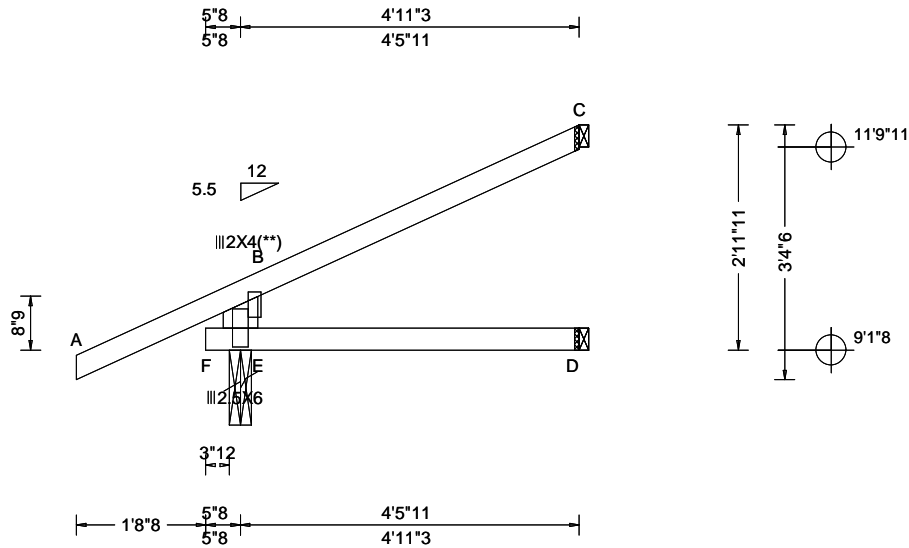


COA #0278

Florida Certificate of Product Approval #FL 1999

****WARNING** READ AND FOLLOW ALL NOTES ON THIS DRAWING!**
****IMPORTANT** FURNISH THIS DRAWING TO ALL CONTRACTORS INCLUDING THE INSTALLERS**
 Trusses require extreme care in fabricating, handling, shipping, installing and bracing. Refer to and follow the latest edition of BCSI (Building Component Safety Information, by TPI and SBCA) for safety practices prior to performing these functions. Installers shall provide temporary bracing per BCSI. Unless noted otherwise, top chord shall have properly attached structural sheathing and bottom chord shall have a properly attached rigid ceiling. Locations shown for permanent lateral restraint of webs shall have continuous lateral restraint (CLR), installed with diagonal bracing installed on the CLR per BCSI sections B3, B7, or B10, as applicable. Apply plates to each face of truss and position as shown above and on the Joint Details, unless noted otherwise. Refer to drawings 160A-Z for standard plate positions. Refer to job's General Notes page for additional information.
 Alpine, a division of ITW Building Components Group Inc. shall not be responsible for any deviation from this drawing, any failure to build the truss in conformance with ANSI/TPI 1, or for handling, shipping, installation and bracing of trusses. A seal on this drawing or cover page listing this drawing, indicates acceptance of professional engineering responsibility solely for the design shown. The suitability and use of this drawing for any structure is the responsibility of the Building Designer per ANSI/TPI 1 Sec.2.
 For more information see these web sites: Alpine: alpineitw.com; TPI: tpinst.org; SBCA: sbcacomponents.com; ICC: iccsafe.org; AWC: awc.org





Loading Criteria (psf)	Wind Criteria	Snow Criteria (Pg,Pf in PSF)	Defl/CSI Criteria	▲ Maximum Reactions (lbs)						
				Gravity			Non-Gravity			
TCLL: 20.00	Wind Std: ASCE 7-22	Pg: NA Ct: NA CAT: NA	PP Deflection in loc L/defl L/#	Loc	R+	/R-	/Rh	/Rw	/U	/RL
TCDL: 10.00	Speed: 130 mph	Pf: NA Ce: NA	VERT(LL): 0.000 B 999 360	F	375	-	-	/157	/112	-
BCLL: 0.00	Enclosure: Enclosed	Lu: NA Cs: NA	VERT(CL): 0.000 B 999 240	D	84	-	-	/41	-	-
BCDL: 10.00	Risk Category: II	Snow Duration: NA	HORZ(LL): 0.000 B - -	C	90	-	-	/75	/6	/101
Des Ld: 40.00	EXP: C Kzt: NA	Building Code:	HORZ(TL): 0.001 B - -	Wind reactions based on MWFRS						
NCBCLL: 10.00	Mean Height: 15.00 ft	FBC 8th Ed. 2023 Res.	Creep Factor: 2.0	F Brg Wid = 3.5 Min Req = 1.5 (Truss)						
Soffit: 2.00	TCDL: 5.0 psf	TPI Std: 2014	Max TC CSI: 0.621	D Brg Wid = 1.5 Min Req = -						
Load Duration: 1.25	BCDL: 5.0 psf	Rep Fac: Yes	Max BC CSI: 0.203	C Brg Wid = 1.5 Min Req = -						
Spacing: 24.0 "	MWFRS Parallel Dist: 0 to h/2	FT/RT:20(0)/10(0)	Max Web CSI: 0.063	Bearing F is a rigid surface.						
	C&C Dist a: 3.00 ft	Plate Type(s):	VIEW Ver: 24.02.00D.0114.10	Members not listed have forces less than 375#						
	Loc. from endwall: not in 4.50 ft	WAVE		Maximum Web Forces Per Ply (lbs)						
	GCp: 0.18			Webs	Tens.Comp.					
	Wind Duration: 1.60			B - E	502	-322				

Lumber

Top chord: 2x4 SP #2;
Bot chord: 2x4 SP #2;
Webs: 2x6 SP #2;

Plating Notes

(**) 1 plate(s) require special positioning. Refer to scaled plate plot details for special positioning requirements.

Wind

Wind loads based on MWFRS with additional C&C member design.
Left end vertical not exposed to wind pressure.
Left cantilever is exposed to wind
Wind loading based on both gable and hip roof types.

Additional Notes

The overall height of this truss excluding overhang is 2-11-11.

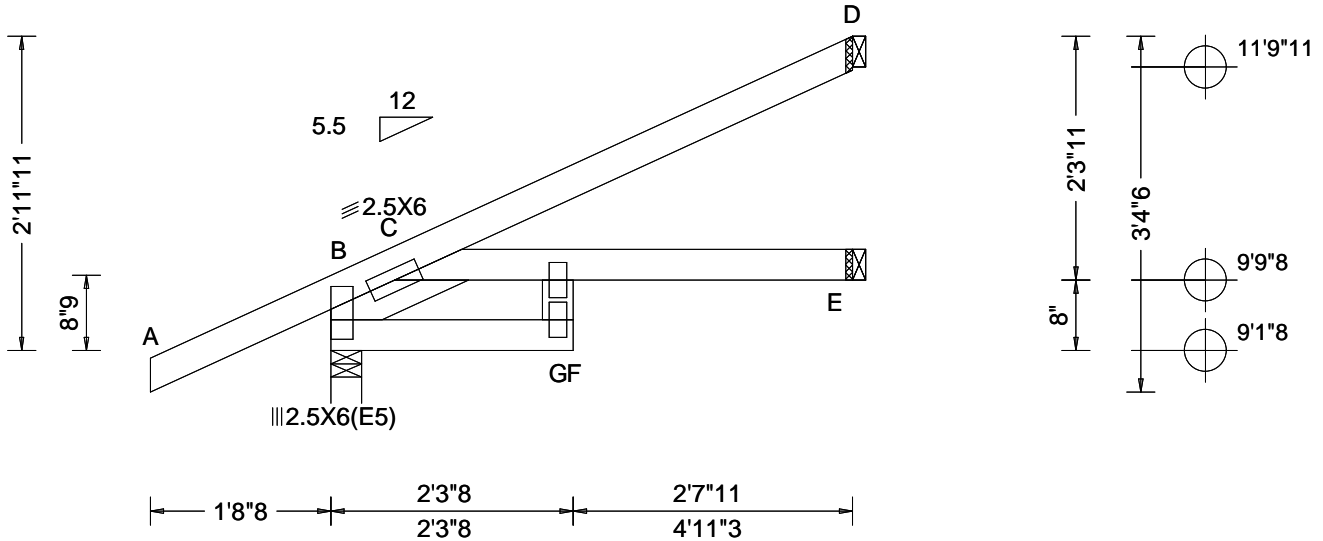


COA #0278

01/02/2026 Florida Certificate of Product Approval #FL 1999

****WARNING** READ AND FOLLOW ALL NOTES ON THIS DRAWING!**
****IMPORTANT** FURNISH THIS DRAWING TO ALL CONTRACTORS INCLUDING THE INSTALLERS**
Trusses require extreme care in fabricating, handling, shipping, installing and bracing. Refer to and follow the latest edition of BCSI (Building Component Safety Information, by TPI and SBCA) for safety practices prior to performing these functions. Installers shall provide temporary bracing per BCSI. Unless noted otherwise, top chord shall have properly attached structural sheathing and bottom chord shall have a properly attached rigid ceiling. Locations shown for permanent lateral restraint of webs shall have continuous lateral restraint (CLR), installed with diagonal bracing installed on the CLR per BCSI sections B3, B7, or B10, as applicable. Apply plates to each face of truss and position as shown above and on the Joint Details, unless noted otherwise. Refer to drawings 160A-Z for standard plate positions. Refer to job's General Notes page for additional information.
Alpine, a division of ITW Building Components Group Inc. shall not be responsible for any deviation from this drawing, any failure to build the truss in conformance with ANSI/TPI 1, or for handling, shipping, installation and bracing of trusses. A seal on this drawing or cover page listing this drawing, indicates acceptance of professional engineering responsibility solely for the design shown. The suitability and use of this drawing for any structure is the responsibility of the Building Designer per ANSI/TPI 1 Sec.2.
For more information see these web sites: Alpine: alpineitw.com; TPI: tpinst.org; SBCA: sbccomponents.com; ICC: iccsafe.org; AWC: awc.org





Loading Criteria (psf) TCCL: 20.00 TCCL: 10.00 BCLL: 0.00 BCDL: 10.00 Des Ld: 40.00 NCBCLL: 10.00 Soffit: 2.00 Load Duration: 1.25 Spacing: 24.0 "	Wind Criteria Wind Std: ASCE 7-22 Speed: 130 mph Enclosure: Enclosed Risk Category: II EXP: C Kzt: NA Mean Height: 15.00 ft TCCL: 5.0 psf BCDL: 5.0 psf MWFRS Parallel Dist: 0 to h/2 C&C Dist a: 3.00 ft Loc. from endwall: not in 4.50 ft GCp: 0.18 Wind Duration: 1.60	Snow Criteria (Pg,Pf in PSF) Pg: NA Ct: NA CAT: NA Pf: NA Ce: NA Lu: NA Cs: NA Snow Duration: NA Building Code: FBC 8th Ed. 2023 Res. TPI Std: 2014 Rep Fac: Yes FT/RT:20(0)/10(0) Plate Type(s): WAVE	Defl/CSI Criteria PP Deflection in loc L/defl L/# VERT(LL): 0.042 F 999 360 VERT(CL): 0.059 F 999 240 HORZ(LL): 0.014 G - - HORZ(TL): 0.025 G - - Creep Factor: 2.0 Max TC CSI: 0.406 Max BC CSI: 0.260 Max Web CSI: 0.152 VIEW Ver: 24.02.00D.0114.10	▲ Maximum Reactions (lbs) <table border="1"> <thead> <tr> <th rowspan="2">Loc</th> <th colspan="3">Gravity</th> <th colspan="3">Non-Gravity</th> </tr> <tr> <th>R+</th> <th>/R-</th> <th>/Rh</th> <th>/Rw</th> <th>/U</th> <th>/RL</th> </tr> </thead> <tbody> <tr> <td>B</td> <td>335</td> <td>-</td> <td>-</td> <td>/138</td> <td>/46</td> <td>/102</td> </tr> <tr> <td>E</td> <td>92</td> <td>-</td> <td>-</td> <td>/56</td> <td>-</td> <td>-</td> </tr> <tr> <td>D</td> <td>127</td> <td>-</td> <td>-</td> <td>/86</td> <td>/65</td> <td>-</td> </tr> </tbody> </table>	Loc	Gravity			Non-Gravity			R+	/R-	/Rh	/Rw	/U	/RL	B	335	-	-	/138	/46	/102	E	92	-	-	/56	-	-	D	127	-	-	/86	/65	-
				Loc		Gravity			Non-Gravity																													
R+	/R-	/Rh	/Rw		/U	/RL																																
B	335	-	-	/138	/46	/102																																
E	92	-	-	/56	-	-																																
D	127	-	-	/86	/65	-																																
Wind reactions based on MWFRS B Brg Wid = 3.5 Min Req = 1.5 (Truss) E Brg Wid = 1.5 Min Req = - D Brg Wid = 1.5 Min Req = - Bearing B is a rigid surface. Members not listed have forces less than 375#																																						

Lumber

Top chord: 2x4 SP #2;
 Bot chord: 2x4 SP #2;
 Webs: 2x4 SP #3;
 Lt Slider: 2x4 SP #3; block length = 1.339'

Plating Notes

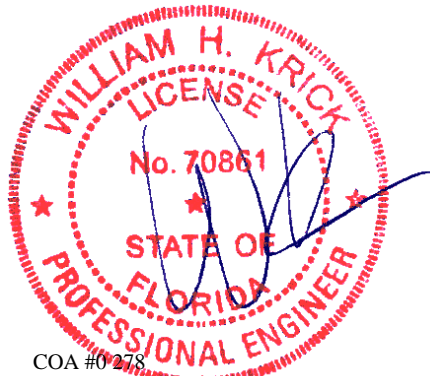
All plates are 2X4 except as noted.

Wind

Wind loads based on MWFRS with additional C&C member design.
 Wind loading based on both gable and hip roof types.

Additional Notes

The overall height of this truss excluding overhang is 2-11-11.
 Note: Laterally brace bottom chord above filler at 20" O.C.Max. including a lateral brace at chord ends.

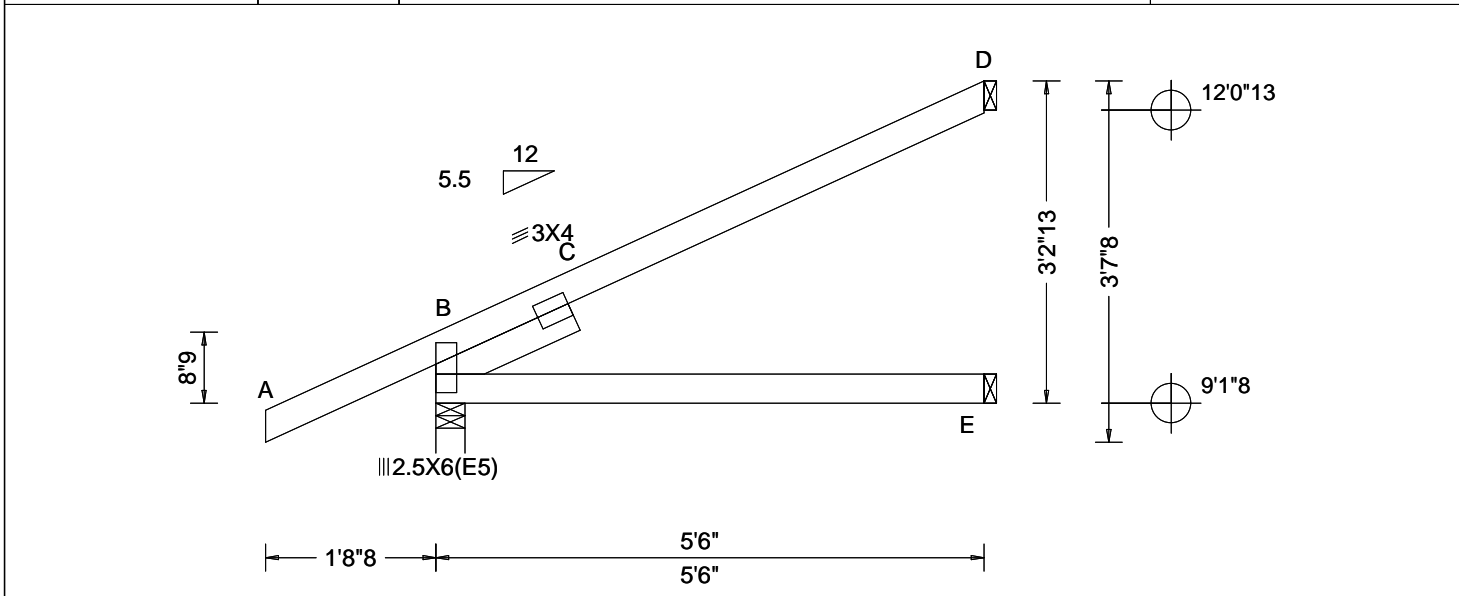


COA #0278

Florida Certificate of Product Approval #FL 1999

****WARNING**** READ AND FOLLOW ALL NOTES ON THIS DRAWING!
****IMPORTANT**** FURNISH THIS DRAWING TO ALL CONTRACTORS INCLUDING THE INSTALLERS
 Trusses require extreme care in fabricating, handling, shipping, installing and bracing. Refer to and follow the latest edition of BCSI (Building Component Safety Information, by TPI and SBCA) for safety practices prior to performing these functions. Installers shall provide temporary bracing per BCSI. Unless noted otherwise, top chord shall have properly attached structural sheathing and bottom chord shall have a properly attached rigid ceiling. Locations shown for permanent lateral restraint of webs shall have continuous lateral restraint (CLR), installed with diagonal bracing installed on the CLR per BCSI sections B3, B7, or B10, as applicable. Apply plates to each face of truss and position as shown above and on the Joint Details, unless noted otherwise. Refer to drawings 160A-Z for standard plate positions. Refer to job's General Notes page for additional information.
 Alpine, a division of ITW Building Components Group Inc. shall not be responsible for any deviation from this drawing, any failure to build the truss in conformance with ANSI/TPI 1, or for handling, shipping, installation and bracing of trusses. A seal on this drawing or cover page listing this drawing, indicates acceptance of professional engineering responsibility solely for the design shown. The suitability and use of this drawing for any structure is the responsibility of the Building Designer per ANSI/TPI 1 Sec.2.
 For more information see these web sites: Alpine: alpineitw.com; TPI: tpinst.org; SBCA: sbccomponents.com; ICC: iccsafe.org; AWC: awc.org





Loading Criteria (psf) TCLL: 20.00 TCDL: 10.00 BCLL: 0.00 BCDL: 10.00 Des Ld: 40.00 NCBCLL: 10.00 Soffit: 2.00 Load Duration: 1.25 Spacing: 24.0 "	Wind Criteria Wind Std: ASCE 7-22 Speed: 130 mph Enclosure: Enclosed Risk Category: II EXP: C Kzt: NA Mean Height: 15.00 ft TCDL: 5.0 psf BCDL: 5.0 psf MWFRS Parallel Dist: 0 to h/2 C&C Dist a: 3.00 ft Loc. from endwall: not in 4.50 ft GCp: 0.18 Wind Duration: 1.60	Snow Criteria (Pg,Pf in PSF) Pg: NA Ct: NA CAT: NA Pf: NA Ce: NA Lu: NA Cs: NA Snow Duration: NA Building Code: FBC 8th Ed. 2023 Res. TPI Std: 2014 Rep Fac: Yes FT/RT:20(0)/10(0) Plate Type(s): WAVE	Defl/CSI Criteria PP Deflection in loc L/defl L/# VERT(LL): NA VERT(CL): NA HORZ(LL): 0.023 C - - HORZ(TL): 0.046 C - - Creep Factor: 2.0 Max TC CSI: 0.543 Max BC CSI: 0.321 Max Web CSI: 0.310 VIEW Ver: 24.02.00D.0114.10	▲ Maximum Reactions (lbs) Gravity Non-Gravity Loc R+ /R- /Rh /Rw /U /RL B 357 /- /- /150 /48 /111 E 103 /- /- /60 /- /- D 146 /- /- /99 /76 /- Wind reactions based on MWFRS B Brg Wid = 3.5 Min Req = 1.5 (Truss) E Brg Wid = 1.5 Min Req = - D Brg Wid = 1.5 Min Req = - Bearing B is a rigid surface. Members not listed have forces less than 375# Maximum Top Chord Forces Per Ply (lbs) Chords Tens.Comp. B - C 529 -699
--------------------------------------------------------------------------------------------------------------------------------------------------------------------------------------	-------------------------------------------------------------------------------------------------------------------------------------------------------------------------------------------------------------------------------------------------------------------------------------------------------------------------	----------------------------------------------------------------------------------------------------------------------------------------------------------------------------------------------------------------------------------------------------	-----------------------------------------------------------------------------------------------------------------------------------------------------------------------------------------------------------------------------------------------------------------------	----------------------------------------------------------------------------------------------------------------------------------------------------------------------------------------------------------------------------------------------------------------------------------------------------------------------------------------------------------------------------------------------------------------------------------------------------------------------------------------

Lumber
Top chord: 2x4 SP #2;
Bot chord: 2x4 SP #2;
Lt Slider: 2x4 SP #3; block length = 1.50'

Wind
Wind loads based on MWFRS with additional C&C member design.
Wind loading based on both gable and hip roof types.

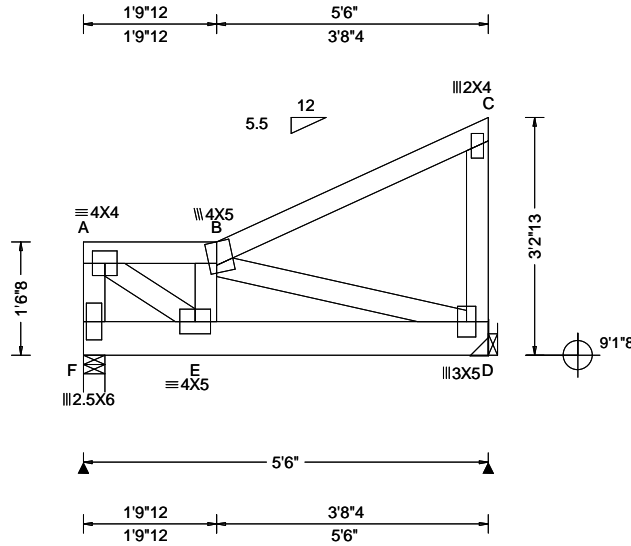
Additional Notes
The overall height of this truss excluding overhang is 3-2-13.



COA #0278
01/02/2026
Florida Certificate of Product Approval #FL 1999

****WARNING** READ AND FOLLOW ALL NOTES ON THIS DRAWING!**
****IMPORTANT** FURNISH THIS DRAWING TO ALL CONTRACTORS INCLUDING THE INSTALLERS**
Trusses require extreme care in fabricating, handling, shipping, installing and bracing. Refer to and follow the latest edition of BCSI (Building Component Safety Information, by TPI and SBCA) for safety practices prior to performing these functions. Installers shall provide temporary bracing per BCSI. Unless noted otherwise, top chord shall have properly attached structural sheathing and bottom chord shall have a properly attached rigid ceiling. Locations shown for permanent lateral restraint of webs shall have continuous lateral restraint (CLR), installed with diagonal bracing installed on the CLR per BCSI sections B3, B7, or B10, as applicable. Apply plates to each face of truss and position as shown above and on the Joint Details, unless noted otherwise. Refer to drawings 160A-Z for standard plate positions. Refer to job's General Notes page for additional information.
Alpine, a division of ITW Building Components Group Inc. shall not be responsible for any deviation from this drawing, any failure to build the truss in conformance with ANSI/TPI 1, or for handling, shipping, installation and bracing of trusses. A seal on this drawing or cover page listing this drawing, indicates acceptance of professional engineering responsibility solely for the design shown. The suitability and use of this drawing for any structure is the responsibility of the Building Designer per ANSI/TPI 1 Sec.2.
For more information see these web sites: Alpine: alpineitw.com; TPI: tpinst.org; SBCA: sbccomponents.com; ICC: iccsafe.org; AWC: awc.org





Loading Criteria (psf) TCLL: 20.00 TCDL: 10.00 BCLL: 0.00 BCDL: 10.00 Des Ld: 40.00 NCBCLL: 10.00 Soffit: 2.00 Load Duration: 1.25 Spacing: 24.0 "	Wind Criteria Wind Std: ASCE 7-22 Speed: 130 mph Enclosure: Enclosed Risk Category: II EXP: C Kzt: NA Mean Height: 15.00 ft TCDL: 5.0 psf BCDL: 5.0 psf MWFRS Parallel Dist: 0 to h/2 C&C Dist a: 3.00 ft Loc. from endwall: not in 9.00 ft GCp1: 0.18 Wind Duration: 1.60	Snow Criteria (Pg,Pf in PSF) Pg: NA Ct: NA CAT: NA Pf: NA Ce: NA Lu: NA Cs: NA Snow Duration: NA Building Code: FBC 8th Ed. 2023 Res. TPI Std: 2014 Rep Fac: Varies by Ld Case FT/RT:20(0)/10(0) Plate Type(s): WAVE	Defl/CSI Criteria PP Deflection in loc L/defl L/# VERT(LL): 0.020 B 999 360 VERT(CL): 0.021 B 999 240 HORZ(LL): 0.008 A - - HORZ(TL): 0.008 A - - Creep Factor: 2.0 Max TC CSI: 0.225 Max BC CSI: 0.576 Max Web CSI: 0.501 VIEW Ver: 24.02.00D.0114.10	▲ Maximum Reactions (lbs) Gravity Non-Gravity Loc R+ /R- /Rh /Rw /U /RL F 848 /- /- /- /108 /- D 853 /- /- /- /159 /- Wind reactions based on MWFRS F Brg Wid = 3.5 Min Req = 1.5 (Truss) D Brg Wid = - Min Req = - Bearing F is a rigid surface. Members not listed have forces less than 375# Maximum Top Chord Forces Per Ply (lbs) Chords Tens.Comp. A - B 147 -1047 Maximum Bot Chord Forces Per Ply (lbs) Chords Tens.Comp. E - D 1017 -156 Maximum Web Forces Per Ply (lbs) Webs Tens.Comp. Webs Tens. Comp. A - F 125 -838 B - D 161 -1056 A - E 1314 -185
--------------------------------------------------------------------------------------------------------------------------------------------------------------------------------------	--------------------------------------------------------------------------------------------------------------------------------------------------------------------------------------------------------------------------------------------------------------------------------------------------------------------------	------------------------------------------------------------------------------------------------------------------------------------------------------------------------------------------------------------------------------------------------------------------	-------------------------------------------------------------------------------------------------------------------------------------------------------------------------------------------------------------------------------------------------------------------------------------------------	-----------------------------------------------------------------------------------------------------------------------------------------------------------------------------------------------------------------------------------------------------------------------------------------------------------------------------------------------------------------------------------------------------------------------------------------------------------------------------------------------------------------------------------------------------------------------------------------------------------------------------------------------------------------

Lumber

Top chord: 2x4 SP #2;
Bot chord: 2x6 SP #2;
Webs: 2x4 SP #3;

Special Loads

----(Lumber Dur.Fac.=1.25 / Plate Dur.Fac.=1.25)
TC: From 62 plf at 0.00 to 62 plf at 5.50
BC: From 10 plf at 0.00 to 10 plf at 5.50
BC: 550 lb Conc. Load at 1.23
BC: 378 lb Conc. Load at 3.02, 4.73

Hangers / Ties

Hanger Support Required, by others

Wind

Wind loads and reactions based on MWFRS.
End verticals not exposed to wind pressure.
Wind loading based on both gable and hip roof types.

Additional Notes

The overall height of this truss excluding overhang is 3-2-13.

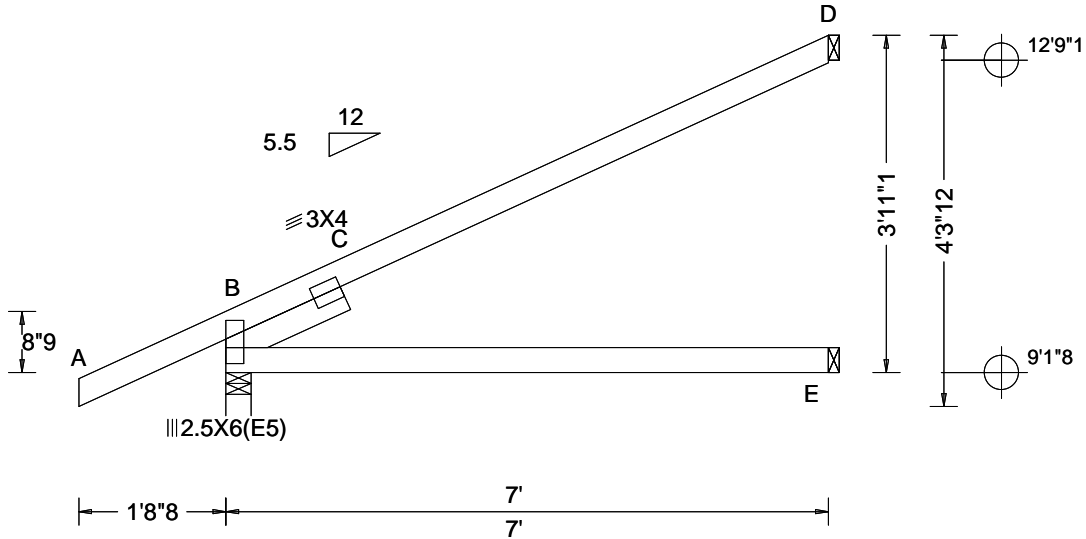


COA #0278

Florida Certificate of Product Approval #FL 1999

****WARNING** READ AND FOLLOW ALL NOTES ON THIS DRAWING!**
****IMPORTANT** FURNISH THIS DRAWING TO ALL CONTRACTORS INCLUDING THE INSTALLERS**
Trusses require extreme care in fabricating, handling, shipping, installing and bracing. Refer to and follow the latest edition of BCSI (Building Component Safety Information, by TPI and SBCA) for safety practices prior to performing these functions. Installers shall provide temporary bracing per BCSI. Unless noted otherwise, top chord shall have properly attached structural sheathing and bottom chord shall have a properly attached rigid ceiling. Locations shown for permanent lateral restraint of webs shall have continuous lateral restraint (CLR), installed with diagonal bracing installed on the CLR per BCSI sections B3, B7, or B10, as applicable. Apply plates to each face of truss and position as shown above and on the Joint Details, unless noted otherwise. Refer to drawings 160A-Z for standard plate positions. Refer to job's General Notes page for additional information.
Alpine, a division of ITW Building Components Group Inc. shall not be responsible for any deviation from this drawing, any failure to build the truss in conformance with ANSI/TPI 1, or for handling, shipping, installation and bracing of trusses. A seal on this drawing or cover page listing this drawing, indicates acceptance of professional engineering responsibility solely for the design shown. The suitability and use of this drawing for any structure is the responsibility of the Building Designer per ANSI/TPI 1 Sec.2.
For more information see these web sites: Alpine: alpineitw.com; TPI: tpinst.org; SBCA: sbccomponents.com; ICC: iccsafe.org; AWC: awc.org





Loading Criteria (psf)	Wind Criteria	Snow Criteria (Pg,Pf in PSF)	Defl/CSI Criteria	▲ Maximum Reactions (lbs)						
				Gravity			Non-Gravity			
TCLL: 20.00	Wind Std: ASCE 7-22	Pg: NA Ct: NA CAT: NA	PP Deflection in loc L/defl L/#	Loc	R+	/R-	/Rh	/Rw	/U	/RL
TCDL: 10.00	Speed: 130 mph	Pf: NA Ce: NA	VERT(LL): NA	B	414	-	-	/184	/52	/135
BCLL: 0.00	Enclosure: Enclosed	Lu: NA Cs: NA	VERT(CL): NA	E	132	-	-	/77	-	-
BCDL: 10.00	Risk Category: II	Snow Duration: NA	HORZ(LL): 0.080 C - -	D	192	-	-	/125	/97	-
Des Ld: 40.00	EXP: C Kzt: NA	Building Code:	HORZ(TL): 0.103 C - -	Wind reactions based on MWFRS						
NCBCLL: 10.00	Mean Height: 15.00 ft	FBC 8th Ed. 2023 Res.	Creep Factor: 2.0	B Brg Wid = 3.5 Min Req = 1.5 (Truss)						
Soffit: 2.00	TCDL: 5.0 psf	TPI Std: 2014	Max TC CSI: 0.780	E Brg Wid = 1.5 Min Req = -						
Load Duration: 1.25	BCDL: 5.0 psf	Rep Fac: No	Max BC CSI: 0.548	D Brg Wid = 1.5 Min Req = -						
Spacing: 24.0 "	MWFRS Parallel Dist: h/2 to h	FT/RT:20(0)/10(0)	Max Web CSI: 0.502	Bearing B is a rigid surface.						
	C&C Dist a: 3.00 ft	Plate Type(s):	VIEW Ver: 24.02.00D.0114.10	Members not listed have forces less than 375#						
	Loc. from endwall: not in 9.00 ft	WAVE		Maximum Top Chord Forces Per Ply (lbs)						
	GCp: 0.18			Chords	Tens.	Comp.				
	Wind Duration: 1.60			B - C	992	-	1198			

Lumber

Top chord: 2x4 SP #2;
Bot chord: 2x4 SP #2;
Lt Slider: 2x4 SP #3; block length = 1.50'

Wind

Wind loads based on MWFRS with additional C&C member design.
Wind loading based on both gable and hip roof types.

Additional Notes

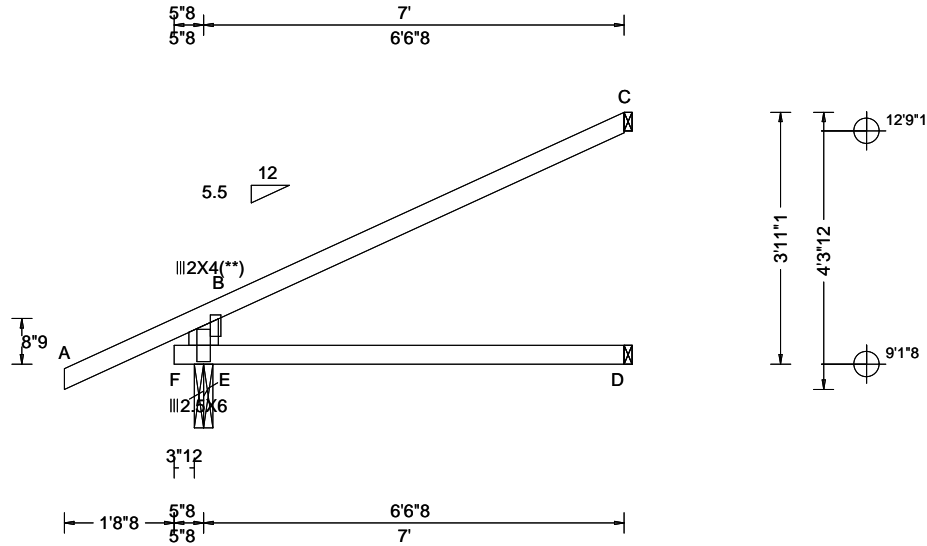
The overall height of this truss excluding overhang is 3-11-1.



COA #0278

Florida Certificate of Product Approval #FL 1999

****WARNING** READ AND FOLLOW ALL NOTES ON THIS DRAWING!**
****IMPORTANT** FURNISH THIS DRAWING TO ALL CONTRACTORS INCLUDING THE INSTALLERS**
Trusses require extreme care in fabricating, handling, shipping, installing and bracing. Refer to and follow the latest edition of BCSI (Building Component Safety Information, by TPI and SBCA) for safety practices prior to performing these functions. Installers shall provide temporary bracing per BCSI. Unless noted otherwise, top chord shall have properly attached structural sheathing and bottom chord shall have a properly attached rigid ceiling. Locations shown for permanent lateral restraint of webs shall have continuous lateral restraint (CLR), installed with diagonal bracing installed on the CLR per BCSI sections B3, B7, or B10, as applicable. Apply plates to each face of truss and position as shown above and on the Joint Details, unless noted otherwise. Refer to drawings 160A-Z for standard plate positions. Refer to job's General Notes page for additional information.
Alpine, a division of ITW Building Components Group Inc. shall not be responsible for any deviation from this drawing, any failure to build the truss in conformance with ANSI/TPI 1, or for handling, shipping, installation and bracing of trusses. A seal on this drawing or cover page listing this drawing, indicates acceptance of professional engineering responsibility solely for the design shown. The suitability and use of this drawing for any structure is the responsibility of the Building Designer per ANSI/TPI 1 Sec.2.
For more information see these web sites: Alpine: alpineitw.com; TPI: tpinst.org; SBCA: sbccomponents.com; ICC: iccsafe.org; AWC: awc.org



Loading Criteria (psf)	Wind Criteria	Snow Criteria (Pg,Pf in PSF)	Defl/CSI Criteria	▲ Maximum Reactions (lbs)						
				Gravity			Non-Gravity			
TCLL: 20.00	Wind Std: ASCE 7-22	Pg: NA Ct: NA CAT: NA	PP Deflection in loc L/defl L/#	Loc	R+	/R-	/Rh	/Rw	/U	/RL
TCDL: 10.00	Speed: 130 mph	Pf: NA Ce: NA	VERT(LL): 0.000 B 999 360	F	446	-	-	/208	/130	-
BCLL: 0.00	Enclosure: Enclosed	Lu: NA Cs: NA	VERT(CL): 0.000 B 999 240	D	126	-	-	/62	-	-
BCDL: 10.00	Risk Category: II	Snow Duration: NA	HORZ(LL): 0.000 B - -	C	168	-	-	/108	/29	/135
Des Ld: 40.00	EXP: C Kzt: NA		HORZ(TL): 0.001 B - -	Wind reactions based on MWFRS						
NCBCLL: 10.00	Mean Height: 15.00 ft	Building Code:	Creep Factor: 2.0	F Brg Wid = 3.5 Min Req = 1.5 (Truss)						
Soffit: 2.00	TCDL: 5.0 psf	FBC 8th Ed. 2023 Res.	Max TC CSI: 0.625	D Brg Wid = 1.5 Min Req = -						
Load Duration: 1.25	BCDL: 5.0 psf	TPI Std: 2014	Max BC CSI: 0.488	C Brg Wid = 1.5 Min Req = -						
Spacing: 24.0 "	MWFRS Parallel Dist: h/2 to h	Rep Fac: Yes	Max Web CSI: 0.063	Bearing F is a rigid surface.						
	C&C Dist a: 3.00 ft	FT/RT:20(0)/10(0)	VIEW Ver: 24.02.00D.0114.10	Members not listed have forces less than 375#						
	Loc. from endwall: not in 4.50 ft	Plate Type(s):		Maximum Web Forces Per Ply (lbs)						
	GCp: 0.18	WAVE		Webs	Tens.Comp.					
	Wind Duration: 1.60			B - E	495	-372				

Lumber

Top chord: 2x4 SP #2;
Bot chord: 2x4 SP #2;
Webs: 2x6 SP #2;

Plating Notes

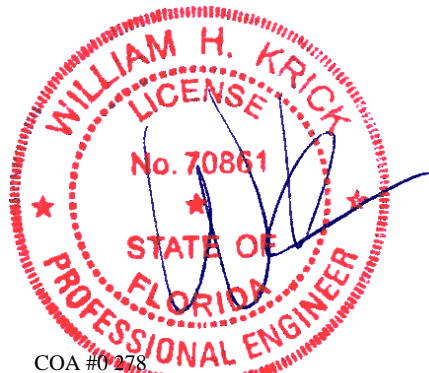
(**) 1 plate(s) require special positioning. Refer to scaled plate plot details for special positioning requirements.

Wind

Wind loads based on MWFRS with additional C&C member design.
Left end vertical not exposed to wind pressure.
Left cantilever is exposed to wind
Wind loading based on both gable and hip roof types.

Additional Notes

The overall height of this truss excluding overhang is 3-11-1.

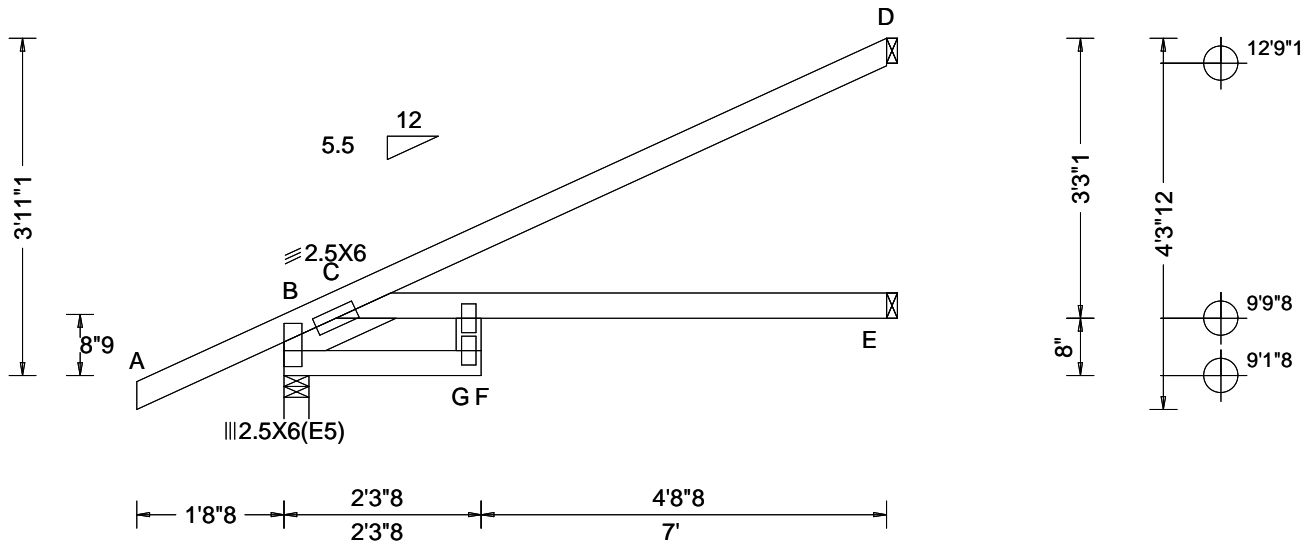


COA #0278

01/03/2026 Florida Certificate of Product Approval #FL 1999

****WARNING** READ AND FOLLOW ALL NOTES ON THIS DRAWING!**
****IMPORTANT** FURNISH THIS DRAWING TO ALL CONTRACTORS INCLUDING THE INSTALLERS**
Trusses require extreme care in fabricating, handling, shipping, installing and bracing. Refer to and follow the latest edition of BCSI (Building Component Safety Information, by TPI and SBCA) for safety practices prior to performing these functions. Installers shall provide temporary bracing per BCSI. Unless noted otherwise, top chord shall have properly attached structural sheathing and bottom chord shall have a properly attached rigid ceiling. Locations shown for permanent lateral restraint of webs shall have continuous lateral restraint (CLR), installed with diagonal bracing installed on the CLR per BCSI sections B3, B7, or B10, as applicable. Apply plates to each face of truss and position as shown above and on the Joint Details, unless noted otherwise. Refer to drawings 160A-Z for standard plate positions. Refer to job's General Notes page for additional information.
Alpine, a division of ITW Building Components Group Inc. shall not be responsible for any deviation from this drawing, any failure to build the truss in conformance with ANSI/TPI 1, or for handling, shipping, installation and bracing of trusses. A seal on this drawing or cover page listing this drawing, indicates acceptance of professional engineering responsibility solely for the design shown. The suitability and use of this drawing for any structure is the responsibility of the Building Designer per ANSI/TPI 1 Sec.2.
For more information see these web sites: Alpine: alpineitw.com; TPI: tpinst.org; SBCA: sbccomponents.com; ICC: iccsafe.org; AWC: awc.org





Loading Criteria (psf) TCLL: 20.00 TCDL: 10.00 BCLL: 0.00 BCDL: 10.00 Des Ld: 40.00 NCBCLL: 10.00 Soffit: 2.00 Load Duration: 1.25 Spacing: 24.0 "	Wind Criteria Wind Std: ASCE 7-22 Speed: 130 mph Enclosure: Enclosed Risk Category: II EXP: C Kzt: NA Mean Height: 15.00 ft TCDL: 5.0 psf BCDL: 5.0 psf MWFRS Parallel Dist: h/2 to h C&C Dist a: 3.00 ft Loc. from endwall: not in 4.50 ft GCp: 0.18 Wind Duration: 1.60	Snow Criteria (Pg,Pf in PSF) Pg: NA Ct: NA CAT: NA Pf: NA Ce: NA Lu: NA Cs: NA Snow Duration: NA Building Code: FBC 8th Ed. 2023 Res. TPI Std: 2014 Rep Fac: Yes FT/RT:20(0)/10(0) Plate Type(s): WAVE	Defl/CSI Criteria PP Deflection in loc L/defl L/# VERT(LL): 0.100 F 835 360 VERT(CL): 0.208 F 403 240 HORZ(LL): 0.033 G - - HORZ(TL): 0.066 G - - Creep Factor: 2.0 Max TC CSI: 0.730 Max BC CSI: 0.537 Max Web CSI: 0.308 VIEW Ver: 24.02.00D.0114.10	▲ Maximum Reactions (lbs) Gravity Loc R+ / R- / Rh / Rw / U / RL Non-Gravity B 414 /- /- /184 /52 /135 E 132 /- /- /79 /- /- D 189 /- /- /122 /94 /- Wind reactions based on MWFRS B Brg Wid = 3.5 Min Req = 1.5 (Truss) E Brg Wid = 1.5 Min Req = - D Brg Wid = 1.5 Min Req = - Bearing B is a rigid surface. Members not listed have forces less than 375# Maximum Top Chord Forces Per Ply (lbs) Chords Tens.Comp. B - C 641 -843
--------------------------------------------------------------------------------------------------------------------------------------------------------------------------------------	-------------------------------------------------------------------------------------------------------------------------------------------------------------------------------------------------------------------------------------------------------------------------------------------------------------------------	----------------------------------------------------------------------------------------------------------------------------------------------------------------------------------------------------------------------------------------------------	-------------------------------------------------------------------------------------------------------------------------------------------------------------------------------------------------------------------------------------------------------------------------------------------------	-------------------------------------------------------------------------------------------------------------------------------------------------------------------------------------------------------------------------------------------------------------------------------------------------------------------------------------------------------------------------------------------------------------------------------------------------------------------------------------------------

Lumber

Top chord: 2x4 SP #2;
Bot chord: 2x4 SP #2;
Webs: 2x4 SP #3;
Lt Slider: 2x4 SP #3; block length = 1.339'

Plating Notes

All plates are 2X4 except as noted.

Wind

Wind loads based on MWFRS with additional C&C member design.
Wind loading based on both gable and hip roof types.

Additional Notes

The overall height of this truss excluding overhang is 3-11-1.

Note: Laterally brace bottom chord above filler at 20" O.C.Max. including a lateral brace at chord ends.

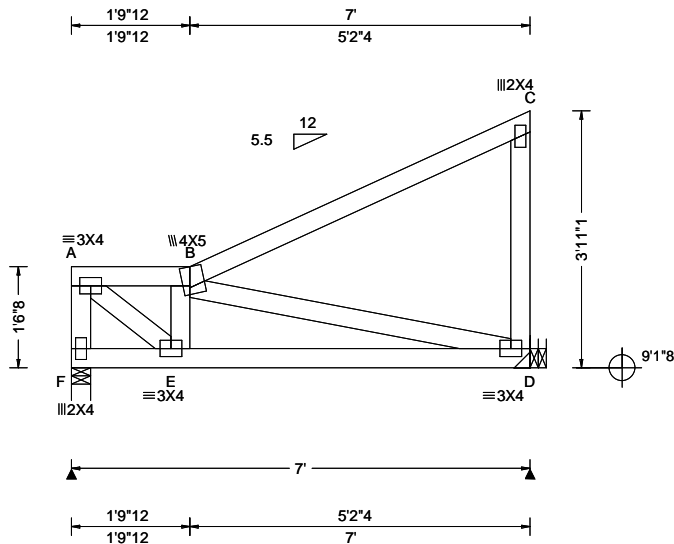


COA #0278

Florida Certificate of Product Approval #FL 1999

****WARNING** READ AND FOLLOW ALL NOTES ON THIS DRAWING!**
****IMPORTANT** FURNISH THIS DRAWING TO ALL CONTRACTORS INCLUDING THE INSTALLERS**
Trusses require extreme care in fabricating, handling, shipping, installing and bracing. Refer to and follow the latest edition of BCSI (Building Component Safety Information, by TPI and SBCA) for safety practices prior to performing these functions. Installers shall provide temporary bracing per BCSI. Unless noted otherwise, top chord shall have properly attached structural sheathing and bottom chord shall have a properly attached rigid ceiling. Locations shown for permanent lateral restraint of webs shall have continuous lateral restraint (CLR), installed with diagonal bracing installed on the CLR per BCSI sections B3, B7, or B10, as applicable. Apply plates to each face of truss and position as shown above and on the Joint Details, unless noted otherwise. Refer to drawings 160A-Z for standard plate positions. Refer to job's General Notes page for additional information.
Alpine, a division of ITW Building Components Group Inc. shall not be responsible for any deviation from this drawing, any failure to build the truss in conformance with ANSI/TPI 1, or for handling, shipping, installation and bracing of trusses. A seal on this drawing or cover page listing this drawing, indicates acceptance of professional engineering responsibility solely for the design shown. The suitability and use of this drawing for any structure is the responsibility of the Building Designer per ANSI/TPI 1 Sec.2.
For more information see these web sites: Alpine: alpineitw.com; TPI: tpinst.org; SBCA: sbcacomponents.com; ICC: iccsafe.org; AWC: awc.org





Loading Criteria (psf)	Wind Criteria	Snow Criteria (Pg,Pf in PSF)	Defl/CSI Criteria	▲ Maximum Reactions (lbs)
TCLL: 20.00 TCDL: 10.00 BCLL: 0.00 BCDL: 10.00 Des Ld: 40.00 NCBCLL: 10.00 Soffit: 2.00 Load Duration: 1.25 Spacing: 24.0 "	Wind Std: ASCE 7-22 Speed: 130 mph Enclosure: Enclosed Risk Category: II EXP: C Kzt: NA Mean Height: 15.00 ft TCDL: 5.0 psf BCDL: 5.0 psf MWFRS Parallel Dist: 0 to h/2 C&C Dist a: 3.00 ft Loc. from endwall: not in 9.00 ft GCpi: 0.18 Wind Duration: 1.60	Pg: NA Ct: NA CAT: NA Pf: NA Ce: NA Lu: NA Cs: NA Snow Duration: NA Building Code: FBC 8th Ed. 2023 Res. TPI Std: 2014 Rep Fac: Varies by Ld Case FT/RT:20(0)/10(0) Plate Type(s): WAVE	PP Deflection in loc L/defl L/# VERT(LL): 0.008 B 999 360 VERT(CL): 0.016 B 999 240 HORZ(LL): 0.004 A - - HORZ(TL): 0.008 A - - Creep Factor: 2.0 Max TC CSI: 0.210 Max BC CSI: 0.603 Max Web CSI: 0.309 VIEW Ver: 24.02.00D.0114.10	Gravity Non-Gravity Loc R+ / R- / Rh / Rw / U / RL F 426 /- /- /- /115 /- D 312 /- /- /- /70 /- Wind reactions based on MWFRS F Brg Wid = 3.5 Min Req = 1.5 (Truss) D Brg Wid = - Min Req = - Bearing F is a rigid surface. Members not listed have forces less than 375# Maximum Top Chord Forces Per Ply (lbs) Chords Tens.Comp. A - B 129 -548

Lumber

Top chord: 2x4 SP #2;
Bot chord: 2x4 SP #2;
Webs: 2x4 SP #3;

Special Loads

----(Lumber Dur.Fac.=1.25 / Plate Dur.Fac.=1.25)
TC: From 62 plf at 0.00 to 62 plf at 1.81
TC: From 31 plf at 1.81 to 31 plf at 7.00
BC: From 10 plf at 0.00 to 10 plf at 7.00
BC: 159 lb Conc. Load at 1.06
BC: 118 lb Conc. Load at 3.06, 5.06

Wind

Wind loads and reactions based on MWFRS.
End verticals not exposed to wind pressure.
Wind loading based on both gable and hip roof types.

Additional Notes

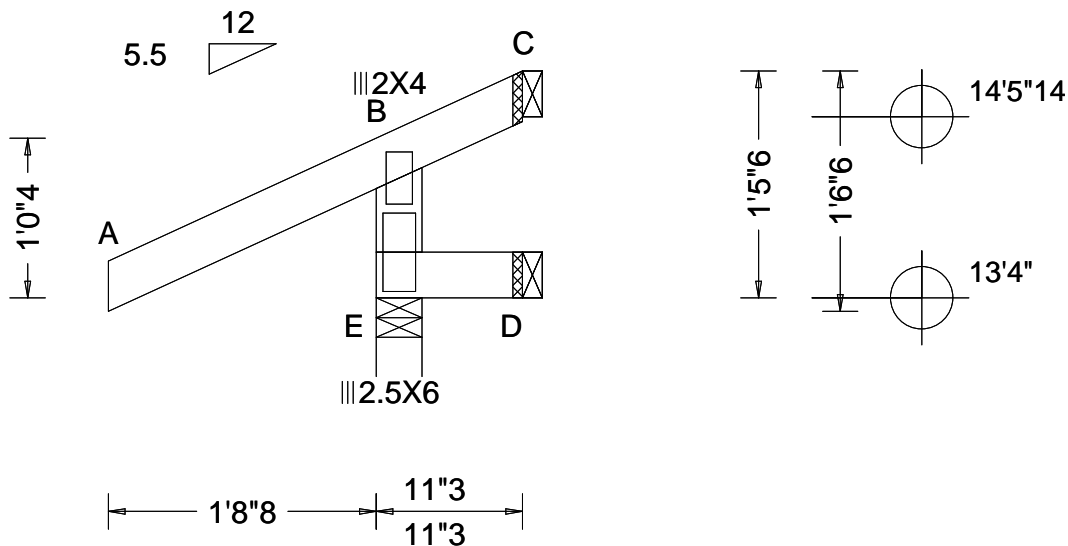
The overall height of this truss excluding overhang is 3-11-1.



COA #0278
01/03/2026
Florida Certificate of Product Approval #FL 1999

****WARNING** READ AND FOLLOW ALL NOTES ON THIS DRAWING!**
****IMPORTANT** FURNISH THIS DRAWING TO ALL CONTRACTORS INCLUDING THE INSTALLERS**
Trusses require extreme care in fabricating, handling, shipping, installing and bracing. Refer to and follow the latest edition of BCSI (Building Component Safety Information, by TPI and SBCA) for safety practices prior to performing these functions. Installers shall provide temporary bracing per BCSI. Unless noted otherwise, top chord shall have properly attached structural sheathing and bottom chord shall have a properly attached rigid ceiling. Locations shown for permanent lateral restraint of webs shall have continuous lateral restraint (CLR), installed with diagonal bracing installed on the CLR per BCSI sections B3, B7, or B10, as applicable. Apply plates to each face of truss and position as shown above and on the Joint Details, unless noted otherwise. Refer to drawings 160A-Z for standard plate positions. Refer to job's General Notes page for additional information.
Alpine, a division of ITW Building Components Group Inc. shall not be responsible for any deviation from this drawing, any failure to build the truss in conformance with ANSI/TPI 1, or for handling, shipping, installation and bracing of trusses. A seal on this drawing or cover page listing this drawing, indicates acceptance of professional engineering responsibility solely for the design shown. The suitability and use of this drawing for any structure is the responsibility of the Building Designer per ANSI/TPI 1 Sec.2.
For more information see these web sites: Alpine: alpineitw.com; TPI: tpinst.org; SBCA: sbccomponents.com; ICC: iccsafe.org; AWC: awc.org





Loading Criteria (psf) TCCL: 20.00 TCCL: 10.00 BCLL: 0.00 BCDL: 10.00 Des Ld: 40.00 NCBCLL: 10.00 Soffit: 2.00 Load Duration: 1.25 Spacing: 24.0 "	Wind Criteria Wind Std: ASCE 7-22 Speed: 130 mph Enclosure: Enclosed Risk Category: II EXP: C Kzt: NA Mean Height: 15.00 ft TCCL: 5.0 psf BCDL: 5.0 psf MWFRS Parallel Dist: 0 to h/2 C&C Dist a: 3.00 ft Loc. from endwall: Any GCpi: 0.18 Wind Duration: 1.60	Snow Criteria (Pg,Pf in PSF) Pg: NA Ct: NA CAT: NA Pf: NA Ce: NA Lu: NA Cs: NA Snow Duration: NA Building Code: FBC 8th Ed. 2023 Res. TPI Std: 2014 Rep Fac: Yes FT/RT:20(0)/10(0) Plate Type(s): WAVE	Defl/CSI Criteria PP Deflection in loc L/defl L/# VERT(LL): 0.000 B 999 360 VERT(CL): 0.000 B 999 240 HORZ(LL): 0.000 B - - HORZ(TL): 0.000 B - - Creep Factor: 2.0 Max TC CSI: 0.316 Max BC CSI: 0.008 Max Web CSI: 0.152 VIEW Ver: 24.02.00D.0114.10	▲ Maximum Reactions (lbs) <table border="1"> <thead> <tr> <th rowspan="2">Loc</th> <th colspan="3">Gravity</th> <th colspan="3">Non-Gravity</th> </tr> <tr> <th>R+</th> <th>/R-</th> <th>/Rh</th> <th>/Rw</th> <th>/U</th> <th>/RL</th> </tr> </thead> <tbody> <tr> <td>E</td> <td>256</td> <td>/-</td> <td>/-</td> <td>/70</td> <td>/98</td> <td>/-</td> </tr> <tr> <td>D</td> <td>19</td> <td>/-</td> <td>/-</td> <td>/9</td> <td>/-</td> <td>/-</td> </tr> <tr> <td>C</td> <td>-</td> <td>/-75</td> <td>/-</td> <td>/62</td> <td>/12</td> <td>/37</td> </tr> </tbody> </table>	Loc	Gravity			Non-Gravity			R+	/R-	/Rh	/Rw	/U	/RL	E	256	/-	/-	/70	/98	/-	D	19	/-	/-	/9	/-	/-	C	-	/-75	/-	/62	/12	/37
				Loc		Gravity			Non-Gravity																													
R+	/R-	/Rh	/Rw		/U	/RL																																
E	256	/-	/-	/70	/98	/-																																
D	19	/-	/-	/9	/-	/-																																
C	-	/-75	/-	/62	/12	/37																																
Maximum Web Forces Per Ply (lbs) Webs Tens.Comp.				Wind reactions based on MWFRS E Brg Wid = 3.5 Min Req = 1.5 (Truss) D Brg Wid = 1.5 Min Req = - C Brg Wid = 1.5 Min Req = - Bearing E is a rigid surface. Members not listed have forces less than 375#																																		

Lumber

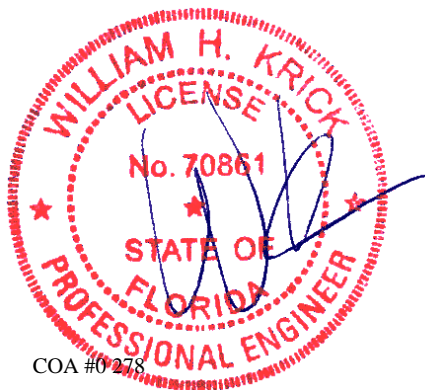
Top chord: 2x4 SP #2;
 Bot chord: 2x4 SP #2;
 Webs: 2x4 SP #3;

Wind

Wind loads based on MWFRS with additional C&C member design.
 Left end vertical not exposed to wind pressure.
 Wind loading based on both gable and hip roof types.

Additional Notes

The overall height of this truss excluding overhang is 1'-5-6".

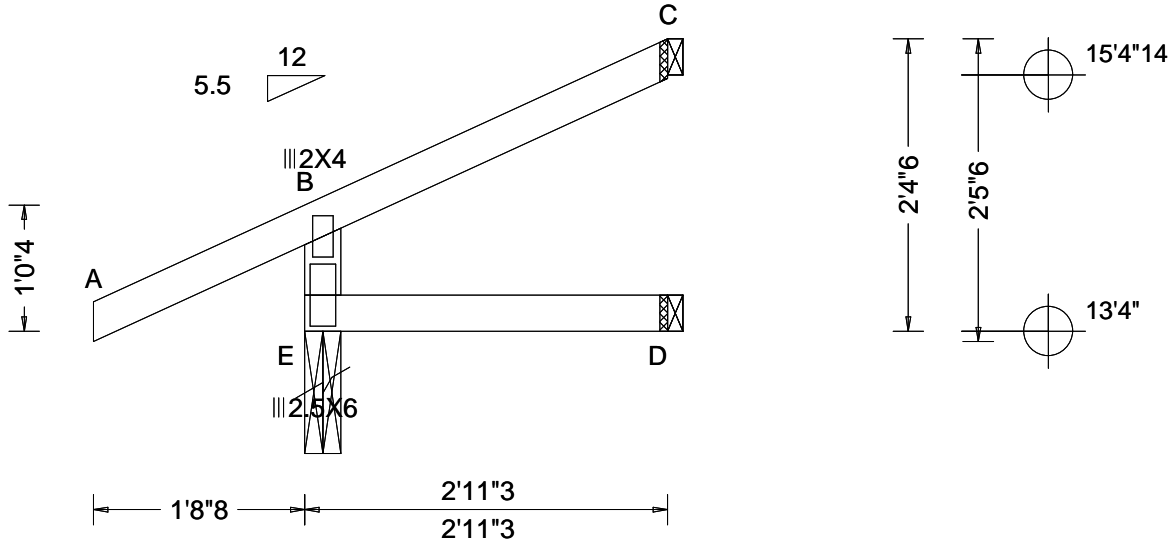


COA #0 278

01/02/2026
 Florida Certificate of Product Approval #FL 1999

****WARNING** READ AND FOLLOW ALL NOTES ON THIS DRAWING!**
****IMPORTANT** FURNISH THIS DRAWING TO ALL CONTRACTORS INCLUDING THE INSTALLERS**
 Trusses require extreme care in fabricating, handling, shipping, installing and bracing. Refer to and follow the latest edition of BCSI (Building Component Safety Information, by TPI and SBCA) for safety practices prior to performing these functions. Installers shall provide temporary bracing per BCSI. Unless noted otherwise, top chord shall have properly attached structural sheathing and bottom chord shall have a properly attached rigid ceiling. Locations shown for permanent lateral restraint of webs shall have continuous lateral restraint (CLR), installed with diagonal bracing installed on the CLR per BCSI sections B3, B7, or B10, as applicable. Apply plates to each face of truss and position as shown above and on the Joint Details, unless noted otherwise. Refer to drawings 160A-Z for standard plate positions. Refer to job's General Notes page for additional information.
 Alpine, a division of ITW Building Components Group Inc. shall not be responsible for any deviation from this drawing, any failure to build the truss in conformance with ANSI/TPI 1, or for handling, shipping, installation and bracing of trusses. A seal on this drawing or cover page listing this drawing, indicates acceptance of professional engineering responsibility solely for the design shown. The suitability and use of this drawing for any structure is the responsibility of the Building Designer per ANSI/TPI 1 Sec.2.
 For more information see these web sites: Alpine: alpineitw.com; TPI: tpinst.org; SBCA: sbccomponents.com; ICC: iccsafe.org; AWC: awc.org





Loading Criteria (psf)	Wind Criteria	Snow Criteria (Pg,Pf in PSF)	Defl/CSI Criteria	▲ Maximum Reactions (lbs)
TCLL: 20.00 TCDL: 10.00 BCLL: 0.00 BCDL: 10.00 Des Ld: 40.00 NCBCLL: 10.00 Soffit: 2.00 Load Duration: 1.25 Spacing: 24.0 "	Wind Std: ASCE 7-22 Speed: 130 mph Enclosure: Enclosed Risk Category: II EXP: C Kzt: NA Mean Height: 15.00 ft TCDL: 5.0 psf BCDL: 5.0 psf MWFRS Parallel Dist: 0 to h/2 C&C Dist a: 3.00 ft Loc. from endwall: not in 4.50 ft GCp1: 0.18 Wind Duration: 1.60	Pg: NA Ct: NA CAT: NA Pf: NA Ce: NA Lu: NA Cs: NA Snow Duration: NA Building Code: FBC 8th Ed. 2023 Res. TPI Std: 2014 Rep Fac: Yes FT/RT:20(0)/10(0) Plate Type(s): WAVE	PP Deflection in loc L/defl L/# VERT(LL): 0.000 B 999 360 VERT(CL): 0.000 B 999 240 HORZ(LL): 0.000 B - - HORZ(TL): 0.000 B - - Creep Factor: 2.0 Max TC CSI: 0.292 Max BC CSI: 0.094 Max Web CSI: 0.114 VIEW Ver: 24.02.00D.0114.10	Gravity Non-Gravity Loc R+ / R- / Rh / Rw / U / RL E 267 /- /- /97 /81 /- D 59 /- /- /29 /- /- C 58 /- /- /54 /4 /69 Wind reactions based on MWFRS E Brg Wid = 3.5 Min Req = 1.5 (Truss) D Brg Wid = 1.5 Min Req = - C Brg Wid = 1.5 Min Req = - Bearing E is a rigid surface. Members not listed have forces less than 375# Maximum Web Forces Per Ply (lbs) Webs Tens.Comp.

Lumber

Top chord: 2x4 SP #2;
Bot chord: 2x4 SP #2;
Webs: 2x4 SP #3;

Wind

Wind loads based on MWFRS with additional C&C member design.
Left end vertical not exposed to wind pressure.
Wind loading based on both gable and hip roof types.

Additional Notes

The overall height of this truss excluding overhang is 2-4-6.

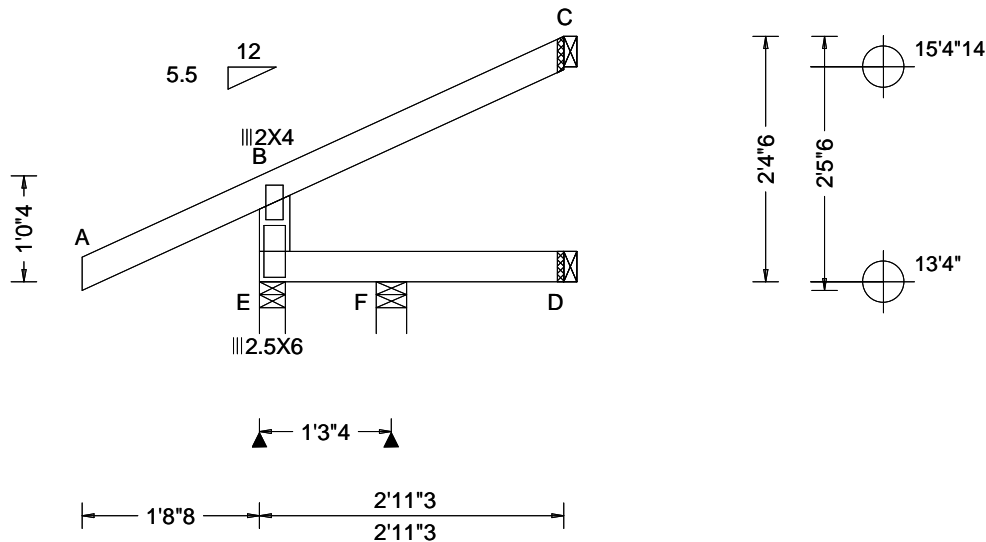


COA #0278

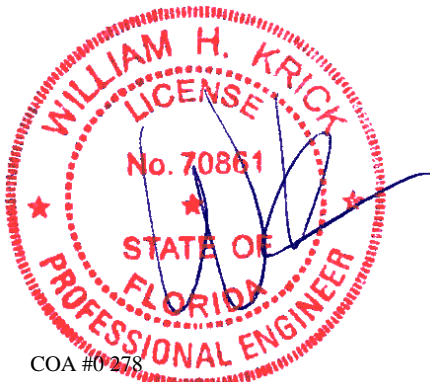
Florida Certificate of Product Approval #FL 1999

****WARNING** READ AND FOLLOW ALL NOTES ON THIS DRAWING!**
****IMPORTANT** FURNISH THIS DRAWING TO ALL CONTRACTORS INCLUDING THE INSTALLERS**
Trusses require extreme care in fabricating, handling, shipping, installing and bracing. Refer to and follow the latest edition of BCSI (Building Component Safety Information, by TPI and SBCA) for safety practices prior to performing these functions. Installers shall provide temporary bracing per BCSI. Unless noted otherwise, top chord shall have properly attached structural sheathing and bottom chord shall have a properly attached rigid ceiling. Locations shown for permanent lateral restraint of webs shall have continuous lateral restraint (CLR), installed with diagonal bracing installed on the CLR per BCSI sections B3, B7, or B10, as applicable. Apply plates to each face of truss and position as shown above and on the Joint Details, unless noted otherwise. Refer to drawings 160A-Z for standard plate positions. Refer to job's General Notes page for additional information.
Alpine, a division of ITW Building Components Group Inc. shall not be responsible for any deviation from this drawing, any failure to build the truss in conformance with ANSI/TPI 1, or for handling, shipping, installation and bracing of trusses. A seal on this drawing or cover page listing this drawing, indicates acceptance of professional engineering responsibility solely for the design shown. The suitability and use of this drawing for any structure is the responsibility of the Building Designer per ANSI/TPI 1 Sec.2.
For more information see these web sites: Alpine: alpineitw.com; TPI: tpinst.org; SBCA: sbccomponents.com; ICC: iccsafe.org; AWC: awc.org





Loading Criteria (psf) TCCL: 20.00 TCCL: 10.00 BCLL: 0.00 BCDL: 10.00 Des Ld: 40.00 NCBCLL: 10.00 Soffit: 2.00 Load Duration: 1.25 Spacing: 24.0 "	Wind Criteria Wind Std: ASCE 7-22 Speed: 130 mph Enclosure: Enclosed Risk Category: II EXP: C Kzt: NA Mean Height: 15.00 ft TCCL: 5.0 psf BCDL: 5.0 psf MWFRS Parallel Dist: 0 to h/2 C&C Dist a: 3.00 ft Loc. from endwall: not in 4.50 ft GCp: 0.18 Wind Duration: 1.60	Snow Criteria (Pg,Pf in PSF) Pg: NA Ct: NA CAT: NA Pf: NA Ce: NA Lu: NA Cs: NA Snow Duration: NA Building Code: FBC 8th Ed. 2023 Res. TPI Std: 2014 Rep Fac: Yes FT/RT:20(0)/10(0) Plate Type(s): WAVE	Defl/CSI Criteria PP Deflection in loc L/defl L/# VERT(LL): 0.000 B 999 360 VERT(CL): 0.000 B 999 240 HORZ(LL): 0.000 B - - HORZ(TL): 0.000 B - - Creep Factor: 2.0 Max TC CSI: 0.292 Max BC CSI: 0.019 Max Web CSI: 0.114 VIEW Ver: 24.02.00D.0114.10	▲ Maximum Reactions (lbs) <table border="1"> <thead> <tr> <th rowspan="2">Loc</th> <th colspan="3">Gravity</th> <th colspan="3">Non-Gravity</th> </tr> <tr> <th>R+</th> <th>/R-</th> <th>/Rh</th> <th>/Rw</th> <th>/U</th> <th>/RL</th> </tr> </thead> <tbody> <tr> <td>E</td> <td>246</td> <td>/-</td> <td>/-</td> <td>/76</td> <td>/91</td> <td>/-</td> </tr> <tr> <td>F</td> <td>72</td> <td>/-</td> <td>/-</td> <td>/36</td> <td>/-</td> <td>/-</td> </tr> <tr> <td>D</td> <td>28</td> <td>/-</td> <td>/-</td> <td>/14</td> <td>/-</td> <td>/-</td> </tr> <tr> <td>C</td> <td>67</td> <td>/-</td> <td>/-</td> <td>/54</td> <td>/4</td> <td>/69</td> </tr> </tbody> </table>						Loc	Gravity			Non-Gravity			R+	/R-	/Rh	/Rw	/U	/RL	E	246	/-	/-	/76	/91	/-	F	72	/-	/-	/36	/-	/-	D	28	/-	/-	/14	/-	/-	C	67	/-	/-	/54	/4	/69
				Loc	Gravity			Non-Gravity																																										
R+	/R-	/Rh	/Rw		/U	/RL																																												
E	246	/-	/-	/76	/91	/-																																												
F	72	/-	/-	/36	/-	/-																																												
D	28	/-	/-	/14	/-	/-																																												
C	67	/-	/-	/54	/4	/69																																												
Lumber Top chord: 2x4 SP #2; Bot chord: 2x4 SP #2; Webs: 2x4 SP #3; Wind Wind loads based on MWFRS with additional C&C member design. Left end vertical not exposed to wind pressure. Wind loading based on both gable and hip roof types. Additional Notes The overall height of this truss excluding overhang is 2-4-6.				Wind reactions based on MWFRS E Brg Wid = 3.0 Min Req = 1.5 (Truss) F Brg Wid = 3.5 Min Req = 1.5 (Truss) D Brg Wid = 1.5 Min Req = - C Brg Wid = 1.5 Min Req = - Bearings E & F are a rigid surface. Members not listed have forces less than 375# Maximum Web Forces Per Ply (lbs) <table border="1"> <thead> <tr> <th>Webs</th> <th>Tens.Comp.</th> </tr> </thead> <tbody> <tr> <td>B - E</td> <td>383 -237</td> </tr> </tbody> </table>						Webs	Tens.Comp.	B - E	383 -237																																					
Webs	Tens.Comp.																																																	
B - E	383 -237																																																	

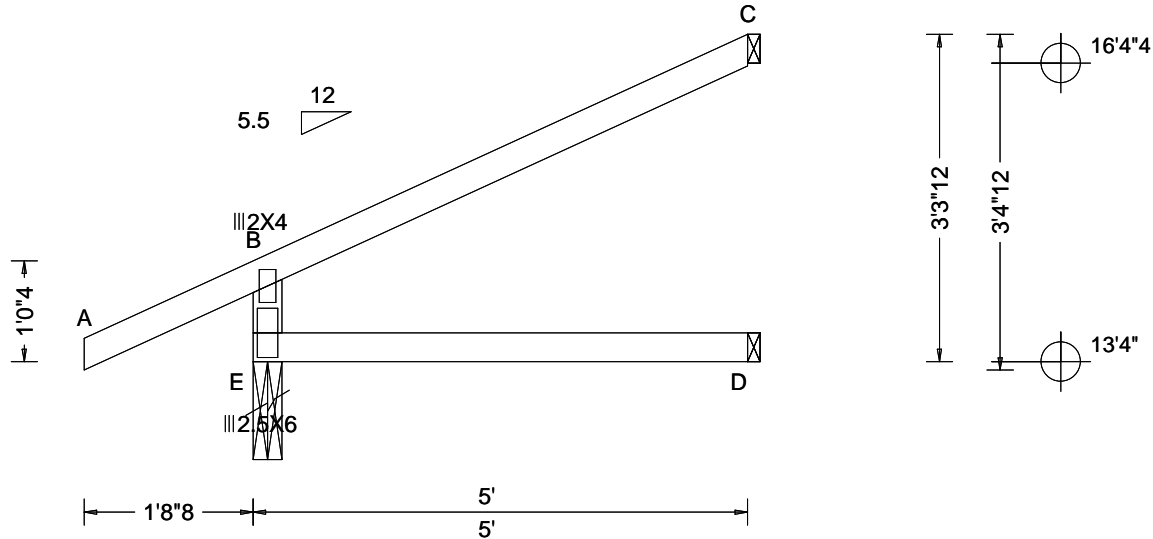


COA #0 278

Florida Certificate of Product Approval #FL 1999

****WARNING** READ AND FOLLOW ALL NOTES ON THIS DRAWING!**
****IMPORTANT** FURNISH THIS DRAWING TO ALL CONTRACTORS INCLUDING THE INSTALLERS**
 Trusses require extreme care in fabricating, handling, shipping, installing and bracing. Refer to and follow the latest edition of BCSI (Building Component Safety Information, by TPI and SBCA) for safety practices prior to performing these functions. Installers shall provide temporary bracing per BCSI. Unless noted otherwise, top chord shall have properly attached structural sheathing and bottom chord shall have a properly attached rigid ceiling. Locations shown for permanent lateral restraint of webs shall have continuous lateral restraint (CLR), installed with diagonal bracing installed on the CLR per BCSI sections B3, B7, or B10, as applicable. Apply plates to each face of truss and position as shown above and on the Joint Details, unless noted otherwise. Refer to drawings 160A-Z for standard plate positions. Refer to job's General Notes page for additional information.
 Alpine, a division of ITW Building Components Group Inc. shall not be responsible for any deviation from this drawing, any failure to build the truss in conformance with ANSI/TPI 1, or for handling, shipping, installation and bracing of trusses. A seal on this drawing or cover page listing this drawing, indicates acceptance of professional engineering responsibility solely for the design shown. The suitability and use of this drawing for any structure is the responsibility of the Building Designer per ANSI/TPI 1 Sec.2.
 For more information see these web sites: Alpine: alpineitw.com; TPI: tpinst.org; SBCA: sbccomponents.com; ICC: iccsafe.org; AWC: awc.org





Loading Criteria (psf) TCLL: 20.00 TCDL: 10.00 BCLL: 0.00 BCDL: 10.00 Des Ld: 40.00 NCBCLL: 10.00 Soffit: 2.00 Load Duration: 1.25 Spacing: 24.0 "	Wind Criteria Wind Std: ASCE 7-22 Speed: 130 mph Enclosure: Enclosed Risk Category: II EXP: C Kzt: NA Mean Height: 15.11 ft TCDL: 5.0 psf BCDL: 5.0 psf MWFRS Parallel Dist: h/2 to h C&C Dist a: 3.00 ft Loc. from endwall: not in 9.00 ft GCp: 0.18 Wind Duration: 1.60	Snow Criteria (Pg,Pf in PSF) Pg: NA Ct: NA CAT: NA Pf: NA Ce: NA Lu: NA Cs: NA Snow Duration: NA Building Code: FBC 8th Ed. 2023 Res. TPI Std: 2014 Rep Fac: Yes FT/RT:20(0)/10(0) Plate Type(s): WAVE	Defl/CSI Criteria PP Deflection in loc L/defl L/# VERT(LL): 0.000 B 999 360 VERT(CL): 0.000 B 999 240 HORZ(LL): 0.000 B - - - HORZ(TL): 0.001 B - - - Creep Factor: 2.0 Max TC CSI: 0.493 Max BC CSI: 0.297 Max Web CSI: 0.127 VIEW Ver: 24.02.00D.0114.10	▲ Maximum Reactions (lbs) Gravity Non-Gravity Loc R+ / R- / Rh / Rw / U / RL E 338 /- /- /139 /99 /- D 100 /- /- /50 /- /- C 136 /- /- /87 /27 /103 Wind reactions based on MWFRS E Brg Wid = 3.5 Min Req = 1.5 (Truss) D Brg Wid = 1.5 Min Req = - C Brg Wid = 1.5 Min Req = - Bearing E is a rigid surface. Members not listed have forces less than 375# Maximum Web Forces Per Ply (lbs) Webs Tens.Comp. B - E 427 -288
--------------------------------------------------------------------------------------------------------------------------------------------------------------------------------------	-------------------------------------------------------------------------------------------------------------------------------------------------------------------------------------------------------------------------------------------------------------------------------------------------------------------------	----------------------------------------------------------------------------------------------------------------------------------------------------------------------------------------------------------------------------------------------------	-----------------------------------------------------------------------------------------------------------------------------------------------------------------------------------------------------------------------------------------------------------------------------------------------------	-------------------------------------------------------------------------------------------------------------------------------------------------------------------------------------------------------------------------------------------------------------------------------------------------------------------------------------------------------------------------------------------------------------------------------------------------------------------------------------

Lumber

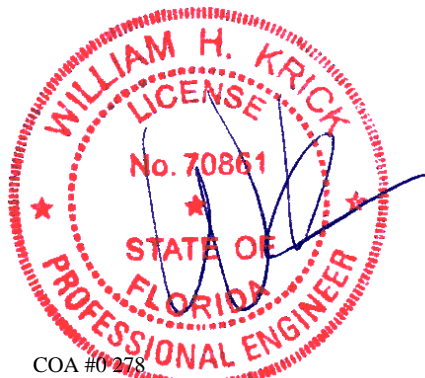
Top chord: 2x4 SP #2;
Bot chord: 2x4 SP #2;
Webs: 2x4 SP #3;

Wind

Wind loads based on MWFRS with additional C&C member design.
Left end vertical not exposed to wind pressure.
Wind loading based on both gable and hip roof types.

Additional Notes

The overall height of this truss excluding overhang is 3-3-12.

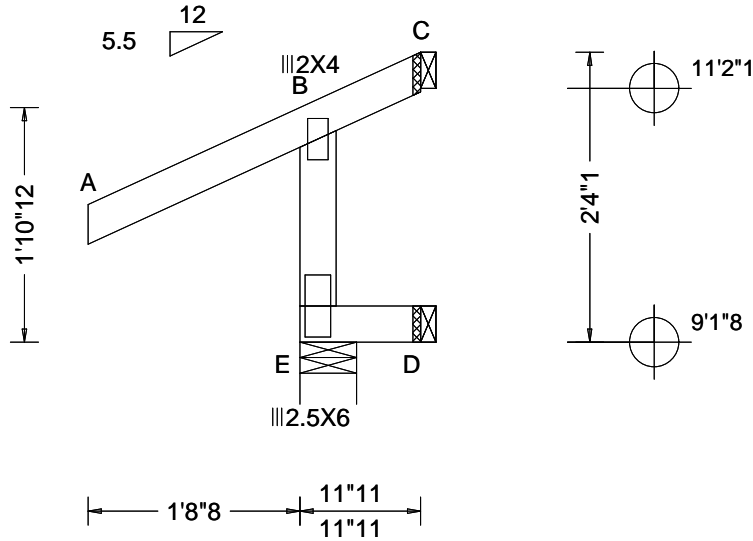


COA #0278

01/02/2026 Florida Certificate of Product Approval #FL 1999

****WARNING** READ AND FOLLOW ALL NOTES ON THIS DRAWING!**
****IMPORTANT** FURNISH THIS DRAWING TO ALL CONTRACTORS INCLUDING THE INSTALLERS**
Trusses require extreme care in fabricating, handling, shipping, installing and bracing. Refer to and follow the latest edition of BCSI (Building Component Safety Information, by TPI and SBCA) for safety practices prior to performing these functions. Installers shall provide temporary bracing per BCSI. Unless noted otherwise, top chord shall have properly attached structural sheathing and bottom chord shall have a properly attached rigid ceiling. Locations shown for permanent lateral restraint of webs shall have continuous lateral restraint (CLR), installed with diagonal bracing installed on the CLR per BCSI sections B3, B7, or B10, as applicable. Apply plates to each face of truss and position as shown above and on the Joint Details, unless noted otherwise. Refer to drawings 160A-Z for standard plate positions. Refer to job's General Notes page for additional information.
Alpine, a division of ITW Building Components Group Inc. shall not be responsible for any deviation from this drawing, any failure to build the truss in conformance with ANSI/TPI 1, or for handling, shipping, installation and bracing of trusses. A seal on this drawing or cover page listing this drawing, indicates acceptance of professional engineering responsibility solely for the design shown. The suitability and use of this drawing for any structure is the responsibility of the Building Designer per ANSI/TPI 1 Sec.2.
For more information see these web sites: Alpine: alpineitw.com; TPI: tpinst.org; SBCA: sbccomponents.com; ICC: iccsafe.org; AWC: awc.org





Loading Criteria (psf) TCCL: 20.00 TCDL: 10.00 BCLL: 0.00 BCDL: 10.00 Des Ld: 40.00 NCBCLL: 10.00 Soffit: 2.00 Load Duration: 1.25 Spacing: 24.0 "	Wind Criteria Wind Std: ASCE 7-22 Speed: 130 mph Enclosure: Enclosed Risk Category: II EXP: C Kzt: NA Mean Height: 15.00 ft TCCL: 5.0 psf BCDL: 5.0 psf MWFRS Parallel Dist: 0 to h/2 C&C Dist a: 3.00 ft Loc. from endwall: Any GCp: 0.18 Wind Duration: 1.60	Snow Criteria (Pg,Pf in PSF) Pg: NA Ct: NA CAT: NA Pf: NA Ce: NA Lu: NA Cs: NA Snow Duration: NA Building Code: FBC 8th Ed. 2023 Res. TPI Std: 2014 Rep Fac: Yes FT/RT:20(0)/10(0) Plate Type(s): WAVE	Defl/CSI Criteria PP Deflection in loc L/defl L/# VERT(LL): 0.000 B 999 360 VERT(CL): 0.001 B 999 240 HORZ(LL): 0.000 B - - HORZ(TL): 0.000 B - - Creep Factor: 2.0 Max TC CSI: 0.312 Max BC CSI: 0.009 Max Web CSI: 0.208 VIEW Ver: 24.02.00D.0114.10	▲ Maximum Reactions (lbs) <table border="1"> <thead> <tr> <th rowspan="2">Loc</th> <th colspan="3">Gravity</th> <th colspan="3">Non-Gravity</th> </tr> <tr> <th>R+</th> <th>/R-</th> <th>/Rh</th> <th>/Rw</th> <th>/U</th> <th>/RL</th> </tr> </thead> <tbody> <tr> <td>E</td> <td>253</td> <td>/-</td> <td>/-</td> <td>/56</td> <td>/106</td> <td>/-</td> </tr> <tr> <td>D</td> <td>19</td> <td>/-</td> <td>/-</td> <td>/10</td> <td>/-</td> <td>/25</td> </tr> <tr> <td>C</td> <td>-</td> <td>/-69</td> <td>/-</td> <td>/59</td> <td>/6</td> <td>/74</td> </tr> </tbody> </table>	Loc	Gravity			Non-Gravity			R+	/R-	/Rh	/Rw	/U	/RL	E	253	/-	/-	/56	/106	/-	D	19	/-	/-	/10	/-	/25	C	-	/-69	/-	/59	/6	/74
				Loc		Gravity			Non-Gravity																													
R+	/R-	/Rh	/Rw		/U	/RL																																
E	253	/-	/-	/56	/106	/-																																
D	19	/-	/-	/10	/-	/25																																
C	-	/-69	/-	/59	/6	/74																																
▲ Maximum Web Forces Per Ply (lbs) Webs Tens.Comp. B - E 522 -243																																						

Lumber

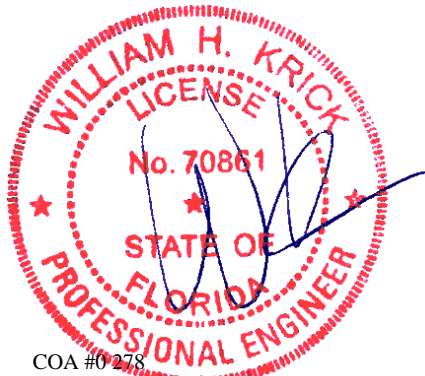
Top chord: 2x4 SP #2;
 Bot chord: 2x4 SP #2;
 Webs: 2x4 SP #3;

Wind

Wind loads based on MWFRS with additional C&C member design.
 Left end vertical exposed to wind pressure. Deflection meets L/360.
 Wind loading based on both gable and hip roof types.

Additional Notes

The overall height of this truss excluding overhang is 2-4-1.

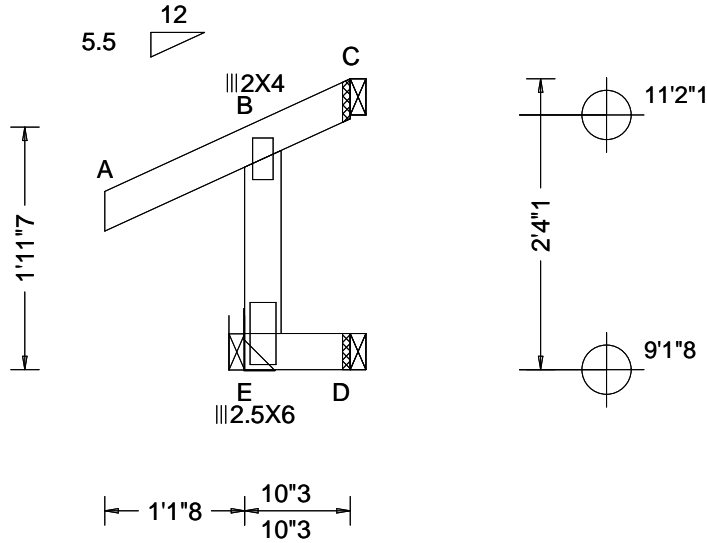


COA #0278

Florida Certificate of Product Approval #FL 1999

****WARNING** READ AND FOLLOW ALL NOTES ON THIS DRAWING!**
****IMPORTANT** FURNISH THIS DRAWING TO ALL CONTRACTORS INCLUDING THE INSTALLERS**
 Trusses require extreme care in fabricating, handling, shipping, installing and bracing. Refer to and follow the latest edition of BCSI (Building Component Safety Information, by TPI and SBCA) for safety practices prior to performing these functions. Installers shall provide temporary bracing per BCSI. Unless noted otherwise, top chord shall have properly attached structural sheathing and bottom chord shall have a properly attached rigid ceiling. Locations shown for permanent lateral restraint of webs shall have continuous lateral restraint (CLR), installed with diagonal bracing installed on the CLR per BCSI sections B3, B7, or B10, as applicable. Apply plates to each face of truss and position as shown above and on the Joint Details, unless noted otherwise. Refer to drawings 160A-Z for standard plate positions. Refer to job's General Notes page for additional information.
 Alpine, a division of ITW Building Components Group Inc. shall not be responsible for any deviation from this drawing, any failure to build the truss in conformance with ANSI/TPI 1, or for handling, shipping, installation and bracing of trusses. A seal on this drawing or cover page listing this drawing, indicates acceptance of professional engineering responsibility solely for the design shown. The suitability and use of this drawing for any structure is the responsibility of the Building Designer per ANSI/TPI 1 Sec.2.
 For more information see these web sites: Alpine: alpineitw.com; TPI: tpinst.org; SBCA: sbccomponents.com; ICC: iccsafe.org; AWC: awc.org





Loading Criteria (psf) TCCL: 20.00 TCCL: 10.00 BCLL: 0.00 BCDL: 10.00 Des Ld: 40.00 NCBCLL: 10.00 Soffit: 2.00 Load Duration: 1.25 Spacing: 24.0 "	Wind Criteria Wind Std: ASCE 7-22 Speed: 130 mph Enclosure: Enclosed Risk Category: II EXP: C Kzt: NA Mean Height: 15.00 ft TCCL: 5.0 psf BCDL: 5.0 psf MWFRS Parallel Dist: 0 to h/2 C&C Dist a: 3.00 ft Loc. from endwall: Any GCp: 0.18 Wind Duration: 1.60	Snow Criteria (Pg,Pf in PSF) Pg: NA Ct: NA CAT: NA Pf: NA Ce: NA Lu: NA Cs: NA Snow Duration: NA Building Code: FBC 8th Ed. 2023 Res. TPI Std: 2014 Rep Fac: Yes FT/RT:20(0)/10(0) Plate Type(s): WAVE	Defl/CSI Criteria PP Deflection in loc L/defl L/# VERT(LL): 0.000 B 999 360 VERT(CL): 0.000 B 999 240 HORZ(LL): 0.000 B - - HORZ(TL): 0.000 B - - Creep Factor: 2.0 Max TC CSI: 0.124 Max BC CSI: 0.007 Max Web CSI: 0.090 VIEW Ver: 24.02.00D.0114.10	▲ Maximum Reactions (lbs) <table border="1"> <thead> <tr> <th rowspan="2">Loc</th> <th colspan="3">Gravity</th> <th colspan="3">Non-Gravity</th> </tr> <tr> <th>R+</th> <th>/R-</th> <th>/Rh</th> <th>/Rw</th> <th>/U</th> <th>/RL</th> </tr> </thead> <tbody> <tr> <td>E</td> <td>159</td> <td>/-</td> <td>/-</td> <td>/47</td> <td>/54</td> <td>/-</td> </tr> <tr> <td>D</td> <td>17</td> <td>/-</td> <td>/-</td> <td>/8</td> <td>/-</td> <td>/-</td> </tr> <tr> <td>C</td> <td>-</td> <td>/-23</td> <td>/-</td> <td>/32</td> <td>/2</td> <td>/28</td> </tr> </tbody> </table>	Loc	Gravity			Non-Gravity			R+	/R-	/Rh	/Rw	/U	/RL	E	159	/-	/-	/47	/54	/-	D	17	/-	/-	/8	/-	/-	C	-	/-23	/-	/32	/2	/28
				Loc		Gravity			Non-Gravity																													
R+	/R-	/Rh	/Rw		/U	/RL																																
E	159	/-	/-	/47	/54	/-																																
D	17	/-	/-	/8	/-	/-																																
C	-	/-23	/-	/32	/2	/28																																
				Wind reactions based on MWFRS E Brg Wid = - Min Req = - D Brg Wid = 1.5 Min Req = - C Brg Wid = 1.5 Min Req = - Members not listed have forces less than 375#																																		

Lumber

Top chord: 2x4 SP #2;
 Bot chord: 2x4 SP #2;
 Webs: 2x4 SP #3;

Hangers / Ties

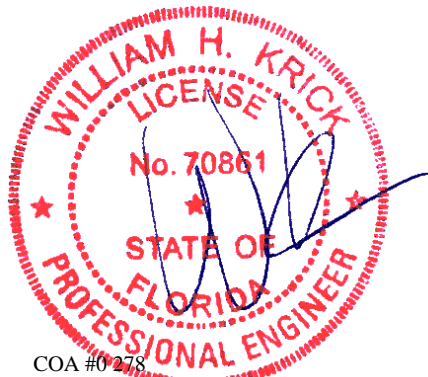
Hanger Support Required, by others

Wind

Wind loads based on MWFRS with additional C&C member design.
 Left end vertical not exposed to wind pressure.
 Wind loading based on both gable and hip roof types.

Additional Notes

The overall height of this truss excluding overhang is 2-4-1.

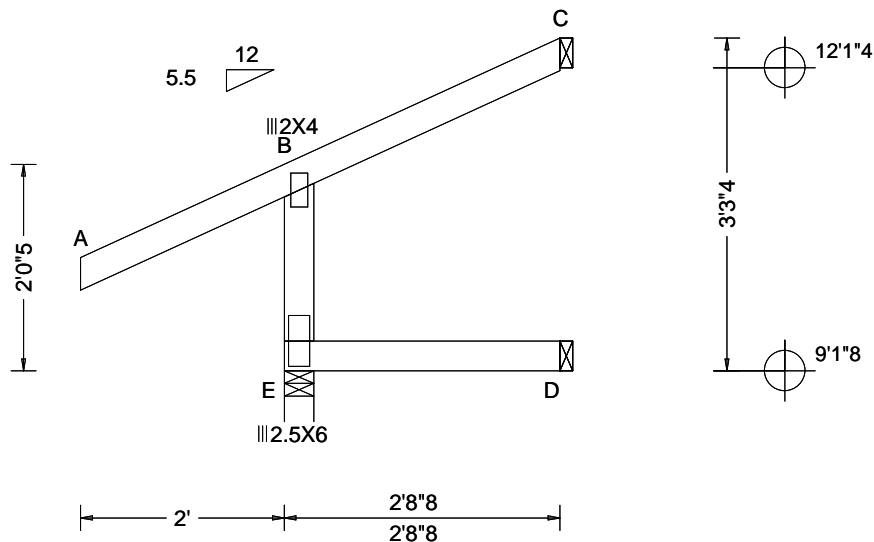


COA #0278

Florida Certificate of Product Approval #FL 1999

****WARNING** READ AND FOLLOW ALL NOTES ON THIS DRAWING!**
****IMPORTANT** FURNISH THIS DRAWING TO ALL CONTRACTORS INCLUDING THE INSTALLERS**
 Trusses require extreme care in fabricating, handling, shipping, installing and bracing. Refer to and follow the latest edition of BCSI (Building Component Safety Information, by TPI and SBCA) for safety practices prior to performing these functions. Installers shall provide temporary bracing per BCSI. Unless noted otherwise, top chord shall have properly attached structural sheathing and bottom chord shall have a properly attached rigid ceiling. Locations shown for permanent lateral restraint of webs shall have continuous lateral restraint (CLR), installed with diagonal bracing installed on the CLR per BCSI sections B3, B7, or B10, as applicable. Apply plates to each face of truss and position as shown above and on the Joint Details, unless noted otherwise. Refer to drawings 160A-Z for standard plate positions. Refer to job's General Notes page for additional information.
 Alpine, a division of ITW Building Components Group Inc. shall not be responsible for any deviation from this drawing, any failure to build the truss in conformance with ANSI/TPI 1, or for handling, shipping, installation and bracing of trusses. A seal on this drawing or cover page listing this drawing, indicates acceptance of professional engineering responsibility solely for the design shown. The suitability and use of this drawing for any structure is the responsibility of the Building Designer per ANSI/TPI 1 Sec.2.
 For more information see these web sites: Alpine: alpineitw.com; TPI: tpinst.org; SBCA: sbccomponents.com; ICC: iccsafe.org; AWC: awc.org





Loading Criteria (psf) TCLL: 20.00 TCDL: 10.00 BCDL: 0.00 BCDL: 10.00 Des Ld: 40.00 NCBCLL: 10.00 Soffit: 2.00 Load Duration: 1.25 Spacing: 24.0 "	Wind Criteria Wind Std: ASCE 7-22 Speed: 130 mph Enclosure: Enclosed Risk Category: II EXP: C Kzt: NA Mean Height: 15.00 ft TCDL: 5.0 psf BCDL: 5.0 psf MWFRS Parallel Dist: 0 to h/2 C&C Dist a: 3.00 ft Loc. from endwall: not in 4.50 ft GCp: 0.18 Wind Duration: 1.60	Snow Criteria (Pg,Pf in PSF) Pg: NA Ct: NA CAT: NA Pf: NA Ce: NA Lu: NA Cs: NA Snow Duration: NA Building Code: FBC 8th Ed. 2023 Res. TPI Std: 2014 Rep Fac: Yes FT/RT:20(0)/10(0) Plate Type(s): WAVE	Defl/CSI Criteria PP Deflection in loc L/defl L/# VERT(LL): 0.000 B 999 360 VERT(CL): 0.001 B 999 240 HORZ(LL): 0.000 B - - HORZ(TL): 0.001 B - - Creep Factor: 2.0 Max TC CSI: 0.360 Max BC CSI: 0.078 Max Web CSI: 0.161 VIEW Ver: 24.02.00D.0114.10	▲ Maximum Reactions (lbs) Gravity Non-Gravity Loc R+ /R- /Rh /Rw /U /RL E 293 /- /- /99 /115 /- D 54 /- /- /27 /- /28 C 35 /- /- /35 /- /112 Wind reactions based on MWFRS E Brg Wid = 3.5 Min Req = 1.5 (Truss) D Brg Wid = 1.5 Min Req = - C Brg Wid = 1.5 Min Req = - Bearing E is a rigid surface. Members not listed have forces less than 375# Maximum Web Forces Per Ply (lbs) Webs Tens.Comp. B - E 412 -266
--------------------------------------------------------------------------------------------------------------------------------------------------------------------------------------	-------------------------------------------------------------------------------------------------------------------------------------------------------------------------------------------------------------------------------------------------------------------------------------------------------------------------	----------------------------------------------------------------------------------------------------------------------------------------------------------------------------------------------------------------------------------------------------	-------------------------------------------------------------------------------------------------------------------------------------------------------------------------------------------------------------------------------------------------------------------------------------------------	------------------------------------------------------------------------------------------------------------------------------------------------------------------------------------------------------------------------------------------------------------------------------------------------------------------------------------------------------------------------------------------------------------------------------------------------------------------------------

Lumber

Top chord: 2x4 SP #2;
Bot chord: 2x4 SP #2;
Webs: 2x4 SP #3;

Wind

Wind loads based on MWFRS with additional C&C member design.
Left end vertical exposed to wind pressure. Deflection meets L/360.
Wind loading based on both gable and hip roof types.

Additional Notes

The overall height of this truss excluding overhang is 3-3-4.



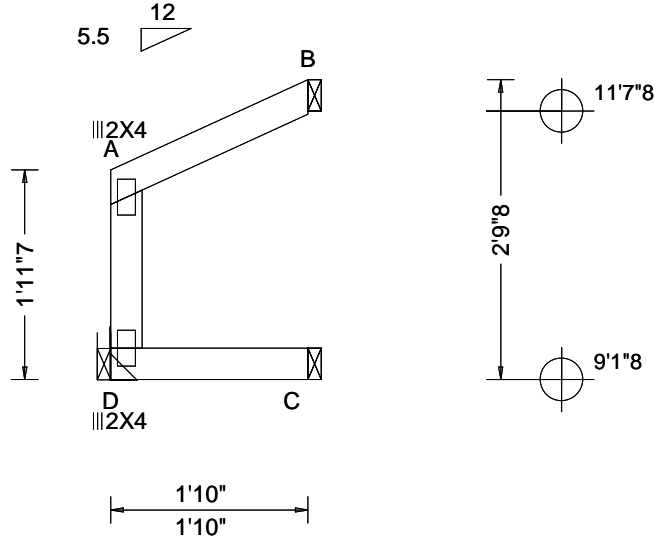
COA #0278

01/02/2026

Florida Certificate of Product Approval #FL 1999

****WARNING** READ AND FOLLOW ALL NOTES ON THIS DRAWING!**
****IMPORTANT** FURNISH THIS DRAWING TO ALL CONTRACTORS INCLUDING THE INSTALLERS**
Trusses require extreme care in fabricating, handling, shipping, installing and bracing. Refer to and follow the latest edition of BCSI (Building Component Safety Information, by TPI and SBCA) for safety practices prior to performing these functions. Installers shall provide temporary bracing per BCSI. Unless noted otherwise, top chord shall have properly attached structural sheathing and bottom chord shall have a properly attached rigid ceiling. Locations shown for permanent lateral restraint of webs shall have continuous lateral restraint (CLR), installed with diagonal bracing installed on the CLR per BCSI sections B3, B7, or B10, as applicable. Apply plates to each face of truss and position as shown above and on the Joint Details, unless noted otherwise. Refer to drawings 160A-Z for standard plate positions. Refer to job's General Notes page for additional information.
Alpine, a division of ITW Building Components Group Inc. shall not be responsible for any deviation from this drawing, any failure to build the truss in conformance with ANSI/TPI 1, or for handling, shipping, installation and bracing of trusses. A seal on this drawing or cover page listing this drawing, indicates acceptance of professional engineering responsibility solely for the design shown. The suitability and use of this drawing for any structure is the responsibility of the Building Designer per ANSI/TPI 1 Sec.2.
For more information see these web sites: Alpine: alpineitw.com; TPI: tpinst.org; SBCA: sbccomponents.com; ICC: iccsafe.org; AWC: awc.org





Loading Criteria (psf) TCLL: 20.00 TCDL: 10.00 BCLL: 0.00 BCDL: 10.00 Des Ld: 40.00 NCBCLL: 10.00 Soffit: 2.00 Load Duration: 1.25 Spacing: 24.0 "	Wind Criteria Wind Std: ASCE 7-22 Speed: 130 mph Enclosure: Enclosed Risk Category: II EXP: C Kzt: NA Mean Height: 15.00 ft TCDL: 5.0 psf BCDL: 5.0 psf MWFRS Parallel Dist: 0 to h/2 C&C Dist a: 3.00 ft Loc. from endwall: Any GCpi: 0.18 Wind Duration: 1.60	Snow Criteria (Pg,Pf in PSF) Pg: NA Ct: NA CAT: NA Pf: NA Ce: NA Lu: NA Cs: NA Snow Duration: NA Building Code: FBC 8th Ed. 2023 Res. TPI Std: 2014 Rep Fac: Yes FT/RT:20(0)/10(0) Plate Type(s): WAVE	Defl/CSI Criteria PP Deflection in loc L/defl L/# VERT(LL): 0.000 A 999 360 VERT(CL): 0.000 A 999 240 HORZ(LL): 0.000 A - - HORZ(TL): 0.000 A - - Creep Factor: 2.0 Max TC CSI: 0.088 Max BC CSI: 0.034 Max Web CSI: 0.034 VIEW Ver: 24.02.00D.0114.10	▲ Maximum Reactions (lbs) Gravity Non-Gravity Loc R+ / R- / Rh / Rw / U / RL D 75 /- /- /52 /18 /- C 37 /- /- /18 /- /- B 57 /- /- /29 /16 /29 Wind reactions based on MWFRS D Brg Wid = - Min Req = - C Brg Wid = 1.5 Min Req = - B Brg Wid = 1.5 Min Req = - Members not listed have forces less than 375#
--------------------------------------------------------------------------------------------------------------------------------------------------------------------------------------	---------------------------------------------------------------------------------------------------------------------------------------------------------------------------------------------------------------------------------------------------------------------------------------------------------------	----------------------------------------------------------------------------------------------------------------------------------------------------------------------------------------------------------------------------------------------------	-------------------------------------------------------------------------------------------------------------------------------------------------------------------------------------------------------------------------------------------------------------------------------------------------	---------------------------------------------------------------------------------------------------------------------------------------------------------------------------------------------------------------------------------------------------------------------------------------------------------------------------------------------------

Lumber

Top chord: 2x4 SP #2;
Bot chord: 2x4 SP #2;
Webs: 2x4 SP #3;

Hangers / Ties

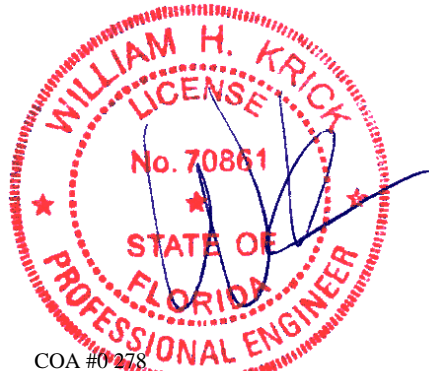
Hanger Support Required, by others

Wind

Wind loads based on MWFRS with additional C&C member design.
Left end vertical not exposed to wind pressure.
Wind loading based on both gable and hip roof types.

Additional Notes

The overall height of this truss excluding overhang is 2-9-8.

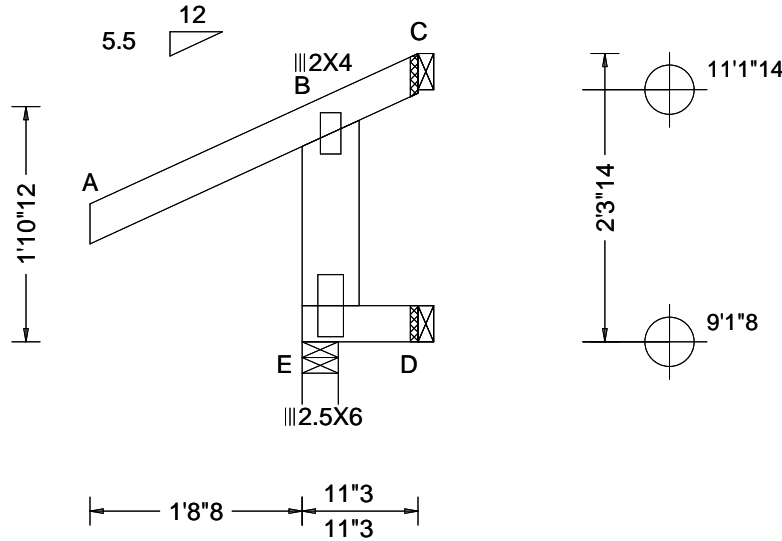


COA #0278

01/03/2026 Florida Certificate of Product Approval #FL 1999

****WARNING** READ AND FOLLOW ALL NOTES ON THIS DRAWING!**
****IMPORTANT** FURNISH THIS DRAWING TO ALL CONTRACTORS INCLUDING THE INSTALLERS**
Trusses require extreme care in fabricating, handling, shipping, installing and bracing. Refer to and follow the latest edition of BCSI (Building Component Safety Information, by TPI and SBCA) for safety practices prior to performing these functions. Installers shall provide temporary bracing per BCSI. Unless noted otherwise, top chord shall have properly attached structural sheathing and bottom chord shall have a properly attached rigid ceiling. Locations shown for permanent lateral restraint of webs shall have continuous lateral restraint (CLR), installed with diagonal bracing installed on the CLR per BCSI sections B3, B7, or B10, as applicable. Apply plates to each face of truss and position as shown above and on the Joint Details, unless noted otherwise. Refer to drawings 160A-Z for standard plate positions. Refer to job's General Notes page for additional information.
Alpine, a division of ITW Building Components Group Inc. shall not be responsible for any deviation from this drawing, any failure to build the truss in conformance with ANSI/TPI 1, or for handling, shipping, installation and bracing of trusses. A seal on this drawing or cover page listing this drawing, indicates acceptance of professional engineering responsibility solely for the design shown. The suitability and use of this drawing for any structure is the responsibility of the Building Designer per ANSI/TPI 1 Sec.2.
For more information see these web sites: Alpine: alpineitw.com; TPI: tpinst.org; SBCA: sbccomponents.com; ICC: iccsafe.org; AWC: awc.org





Loading Criteria (psf) TCLL: 20.00 TCDL: 10.00 BCLL: 0.00 BCDL: 10.00 Des Ld: 40.00 NCBCLL: 10.00 Soffit: 2.00 Load Duration: 1.25 Spacing: 24.0 "	Wind Criteria Wind Std: ASCE 7-22 Speed: 130 mph Enclosure: Enclosed Risk Category: II EXP: C Kzt: NA Mean Height: 15.00 ft TCDL: 5.0 psf BCDL: 5.0 psf MWFRS Parallel Dist: 0 to h/2 C&C Dist a: 3.00 ft Loc. from endwall: Any GCp: 0.18 Wind Duration: 1.60	Snow Criteria (Pg,Pf in PSF) Pg: NA Ct: NA CAT: NA Pf: NA Ce: NA Lu: NA Cs: NA Snow Duration: NA Building Code: FBC 8th Ed. 2023 Res. TPI Std: 2014 Rep Fac: Yes FT/RT:20(0)/10(0) Plate Type(s): WAVE	Defl/CSI Criteria PP Deflection in loc L/defl L/# VERT(LL): 0.000 B 999 360 VERT(CL): 0.000 B 999 240 HORZ(LL): 0.000 B - - HORZ(TL): 0.000 B - - Creep Factor: 2.0 Max TC CSI: 0.312 Max BC CSI: 0.008 Max Web CSI: 0.080 VIEW Ver: 24.02.00D.0114.10	▲ Maximum Reactions (lbs) Gravity Non-Gravity Loc R+ /R- /Rh /Rw /U /RL E 256 /- /- /56 /108 /- D 19 /- /- /9 /- /25 C - /-75 /- /61 /7 /73 Wind reactions based on MWFRS E Brg Wid = 3.5 Min Req = 1.5 (Truss) D Brg Wid = 1.5 Min Req = - C Brg Wid = 1.5 Min Req = - Bearing E is a rigid surface. Members not listed have forces less than 375# Maximum Web Forces Per Ply (lbs) Webs Tens.Comp. B - E 528 -246
--------------------------------------------------------------------------------------------------------------------------------------------------------------------------------------	--------------------------------------------------------------------------------------------------------------------------------------------------------------------------------------------------------------------------------------------------------------------------------------------------------------	----------------------------------------------------------------------------------------------------------------------------------------------------------------------------------------------------------------------------------------------------	-------------------------------------------------------------------------------------------------------------------------------------------------------------------------------------------------------------------------------------------------------------------------------------------------	-----------------------------------------------------------------------------------------------------------------------------------------------------------------------------------------------------------------------------------------------------------------------------------------------------------------------------------------------------------------------------------------------------------------------------------------------------------------------------

Lumber

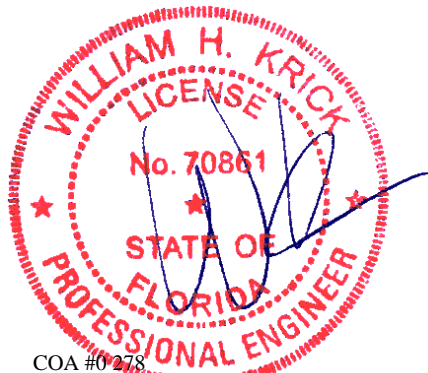
Top chord: 2x4 SP #2;
Bot chord: 2x4 SP #2;
Webs: 2x6 SP #2;

Wind

Wind loads based on MWFRS with additional C&C member design.
Left end vertical exposed to wind pressure. Deflection meets L/360.
Wind loading based on both gable and hip roof types.

Additional Notes

The overall height of this truss excluding overhang is 2-3-14.

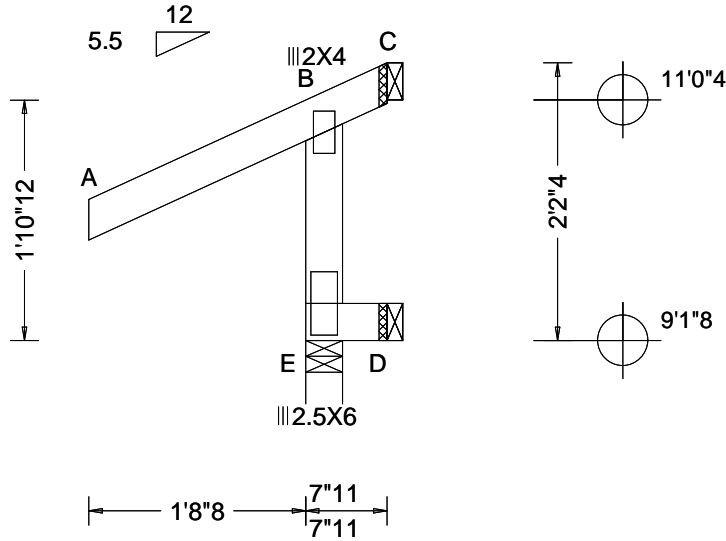


COA #0278

01/02/2026 Florida Certificate of Product Approval #FL 1999

****WARNING** READ AND FOLLOW ALL NOTES ON THIS DRAWING!**
****IMPORTANT** FURNISH THIS DRAWING TO ALL CONTRACTORS INCLUDING THE INSTALLERS**
Trusses require extreme care in fabricating, handling, shipping, installing and bracing. Refer to and follow the latest edition of BCSI (Building Component Safety Information, by TPI and SBCA) for safety practices prior to performing these functions. Installers shall provide temporary bracing per BCSI. Unless noted otherwise, top chord shall have properly attached structural sheathing and bottom chord shall have a properly attached rigid ceiling. Locations shown for permanent lateral restraint of webs shall have continuous lateral restraint (CLR), installed with diagonal bracing installed on the CLR per BCSI sections B3, B7, or B10, as applicable. Apply plates to each face of truss and position as shown above and on the Joint Details, unless noted otherwise. Refer to drawings 160A-Z for standard plate positions. Refer to job's General Notes page for additional information.
Alpine, a division of ITW Building Components Group Inc. shall not be responsible for any deviation from this drawing, any failure to build the truss in conformance with ANSI/TPI 1, or for handling, shipping, installation and bracing of trusses. A seal on this drawing or cover page listing this drawing, indicates acceptance of professional engineering responsibility solely for the design shown. The suitability and use of this drawing for any structure is the responsibility of the Building Designer per ANSI/TPI 1 Sec.2.
For more information see these web sites: Alpine: alpineitw.com; TPI: tpinst.org; SBCA: sbccomponents.com; ICC: iccsafe.org; AWC: awc.org





Loading Criteria (psf) TCCL: 20.00 TCDL: 10.00 BCLL: 0.00 BCDL: 10.00 Des Ld: 40.00 NCBCLL: 10.00 Soffit: 2.00 Load Duration: 1.25 Spacing: 24.0 "	Wind Criteria Wind Std: ASCE 7-22 Speed: 130 mph Enclosure: Enclosed Risk Category: II EXP: C Kzt: NA Mean Height: 15.00 ft TCDL: 5.0 psf BCDL: 5.0 psf MWFRS Parallel Dist: h/2 to h C&C Dist a: 3.00 ft Loc. from endwall: not in 9.00 ft GCp: 0.18 Wind Duration: 1.60	Snow Criteria (Pg,Pf in PSF) Pg: NA Ct: NA CAT: NA Pf: NA Ce: NA Lu: NA Cs: NA Snow Duration: NA Building Code: FBC 8th Ed. 2023 Res. TPI Std: 2014 Rep Fac: Yes FT/RT:20(0)/10(0) Plate Type(s): WAVE	Defl/CSI Criteria PP Deflection in loc L/defl L/# VERT(LL): 0.000 B 999 360 VERT(CL): 0.001 B 999 240 HORZ(LL): 0.000 B - - HORZ(TL): 0.000 B - - Creep Factor: 2.0 Max TC CSI: 0.258 Max BC CSI: 0.004 Max Web CSI: 0.191 VIEW Ver: 24.02.00D.0114.10	▲ Maximum Reactions (lbs) <table border="1"> <thead> <tr> <th rowspan="2">Loc</th> <th colspan="3">Gravity</th> <th colspan="3">Non-Gravity</th> </tr> <tr> <th>R+</th> <th>/R-</th> <th>/Rh</th> <th>/Rw</th> <th>/U</th> <th>/RL</th> </tr> </thead> <tbody> <tr> <td>E</td> <td>291</td> <td>/-</td> <td>/-</td> <td>/59</td> <td>/124</td> <td>/-</td> </tr> <tr> <td>D</td> <td>13</td> <td>/-</td> <td>/-</td> <td>/6</td> <td>/-</td> <td>/25</td> </tr> <tr> <td>C</td> <td>-</td> <td>/-131</td> <td>/-</td> <td>/83</td> <td>/16</td> <td>/69</td> </tr> </tbody> </table>	Loc	Gravity			Non-Gravity			R+	/R-	/Rh	/Rw	/U	/RL	E	291	/-	/-	/59	/124	/-	D	13	/-	/-	/6	/-	/25	C	-	/-131	/-	/83	/16	/69
				Loc		Gravity			Non-Gravity																													
R+	/R-	/Rh	/Rw		/U	/RL																																
E	291	/-	/-	/59	/124	/-																																
D	13	/-	/-	/6	/-	/25																																
C	-	/-131	/-	/83	/16	/69																																
				Wind reactions based on MWFRS E Brg Wid = 3.5 Min Req = 1.5 (Truss) D Brg Wid = 1.5 Min Req = - C Brg Wid = 1.5 Min Req = - Bearing E is a rigid surface. Members not listed have forces less than 375# Maximum Web Forces Per Ply (lbs) <table border="1"> <thead> <tr> <th>Webs</th> <th>Tens.Comp.</th> </tr> </thead> <tbody> <tr> <td>B - E</td> <td>500 -285</td> </tr> </tbody> </table>	Webs	Tens.Comp.	B - E	500 -285																														
Webs	Tens.Comp.																																					
B - E	500 -285																																					

Lumber

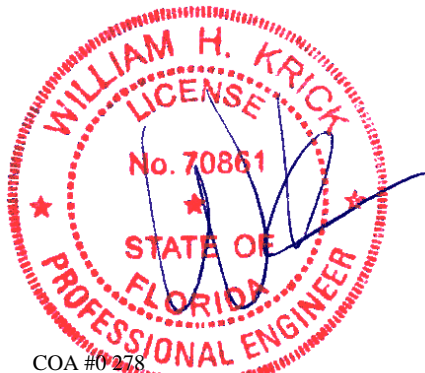
Top chord: 2x4 SP #2;
 Bot chord: 2x4 SP #2;
 Webs: 2x4 SP #3;

Wind

Wind loads based on MWFRS with additional C&C member design.
 Left end vertical exposed to wind pressure. Deflection meets L/360.
 Wind loading based on both gable and hip roof types.

Additional Notes

The overall height of this truss excluding overhang is 2-2-4.

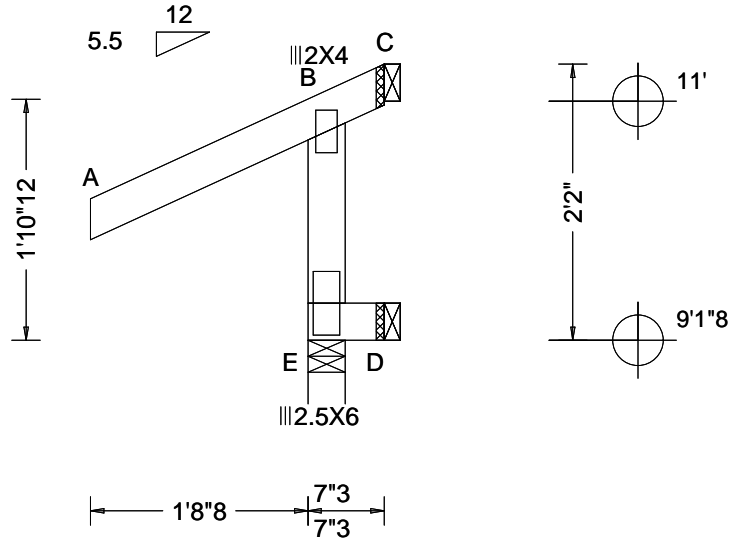


COA #0278

Florida Certificate of Product Approval #FL 1999

****WARNING** READ AND FOLLOW ALL NOTES ON THIS DRAWING!**
****IMPORTANT** FURNISH THIS DRAWING TO ALL CONTRACTORS INCLUDING THE INSTALLERS**
 Trusses require extreme care in fabricating, handling, shipping, installing and bracing. Refer to and follow the latest edition of BCSI (Building Component Safety Information, by TPI and SBCA) for safety practices prior to performing these functions. Installers shall provide temporary bracing per BCSI. Unless noted otherwise, top chord shall have properly attached structural sheathing and bottom chord shall have a properly attached rigid ceiling. Locations shown for permanent lateral restraint of webs shall have continuous lateral restraint (CLR), installed with diagonal bracing installed on the CLR per BCSI sections B3, B7, or B10, as applicable. Apply plates to each face of truss and position as shown above and on the Joint Details, unless noted otherwise. Refer to drawings 160A-Z for standard plate positions. Refer to job's General Notes page for additional information.
 Alpine, a division of ITW Building Components Group Inc. shall not be responsible for any deviation from this drawing, any failure to build the truss in conformance with ANSI/TPI 1, or for handling, shipping, installation and bracing of trusses. A seal on this drawing or cover page listing this drawing, indicates acceptance of professional engineering responsibility solely for the design shown. The suitability and use of this drawing for any structure is the responsibility of the Building Designer per ANSI/TPI 1 Sec.2.
 For more information see these web sites: Alpine: alpineitw.com; TPI: tpinst.org; SBCA: sbccomponents.com; ICC: iccsafe.org; AWC: awc.org





Loading Criteria (psf) TCLL: 20.00 TCCL: 10.00 BCLL: 0.00 BCDL: 10.00 Des Ld: 40.00 NCBCLL: 10.00 Soffit: 2.00 Load Duration: 1.25 Spacing: 24.0 "	Wind Criteria Wind Std: ASCE 7-22 Speed: 130 mph Enclosure: Enclosed Risk Category: II EXP: C Kzt: NA Mean Height: 15.00 ft TCCL: 5.0 psf BCDL: 5.0 psf MWFRS Parallel Dist: 0 to h/2 C&C Dist a: 3.00 ft Loc. from endwall: Any GCp: 0.18 Wind Duration: 1.60	Snow Criteria (Pg,Pf in PSF) Pg: NA Ct: NA CAT: NA Pf: NA Ce: NA Lu: NA Cs: NA Snow Duration: NA Building Code: FBC 8th Ed. 2023 Res. TPI Std: 2014 Rep Fac: Yes FT/RT:20(0)/10(0) Plate Type(s): WAVE	Defl/CSI Criteria PP Deflection in loc L/defl L/# VERT(LL): 0.000 B 999 360 VERT(CL): 0.001 B 999 240 HORZ(LL): 0.000 B - - HORZ(TL): 0.000 B - - Creep Factor: 2.0 Max TC CSI: 0.312 Max BC CSI: 0.004 Max Web CSI: 0.238 VIEW Ver: 24.02.00D.0114.10	▲ Maximum Reactions (lbs) <table border="1"> <thead> <tr> <th rowspan="2">Loc</th> <th colspan="3">Gravity</th> <th colspan="3">Non-Gravity</th> </tr> <tr> <th>R+</th> <th>/R-</th> <th>/Rh</th> <th>/Rw</th> <th>/U</th> <th>/RL</th> </tr> </thead> <tbody> <tr> <td>E</td> <td>300</td> <td>-</td> <td>-</td> <td>/60</td> <td>/128</td> <td>-</td> </tr> <tr> <td>D</td> <td>12</td> <td>-</td> <td>-</td> <td>/6</td> <td>-</td> <td>/25</td> </tr> <tr> <td>C</td> <td>-</td> <td>-143</td> <td>-</td> <td>/88</td> <td>/18</td> <td>/68</td> </tr> </tbody> </table>	Loc	Gravity			Non-Gravity			R+	/R-	/Rh	/Rw	/U	/RL	E	300	-	-	/60	/128	-	D	12	-	-	/6	-	/25	C	-	-143	-	/88	/18	/68
				Loc		Gravity			Non-Gravity																													
R+	/R-	/Rh	/Rw		/U	/RL																																
E	300	-	-	/60	/128	-																																
D	12	-	-	/6	-	/25																																
C	-	-143	-	/88	/18	/68																																
▲ Maximum Reactions (lbs) Gravity Non-Gravity Loc R+ /R- /Rh /Rw /U /RL E 300 - - /60 /128 - D 12 - - /6 - /25 C - -143 - /88 /18 /68 Wind reactions based on MWFRS E Brg Wid = 3.5 Min Req = 1.5 (Truss) D Brg Wid = 1.5 Min Req = - C Brg Wid = 1.5 Min Req = - Bearing E is a rigid surface. Members not listed have forces less than 375# Maximum Web Forces Per Ply (lbs) Webs Tens.Comp.																																						

Lumber

Top chord: 2x4 SP #2;
 Bot chord: 2x4 SP #2;
 Webs: 2x4 SP #3;

Wind

Wind loads based on MWFRS with additional C&C member design.
 Left end vertical exposed to wind pressure. Deflection meets L/360.
 Wind loading based on both gable and hip roof types.

Additional Notes

The overall height of this truss excluding overhang is 2-2-0.

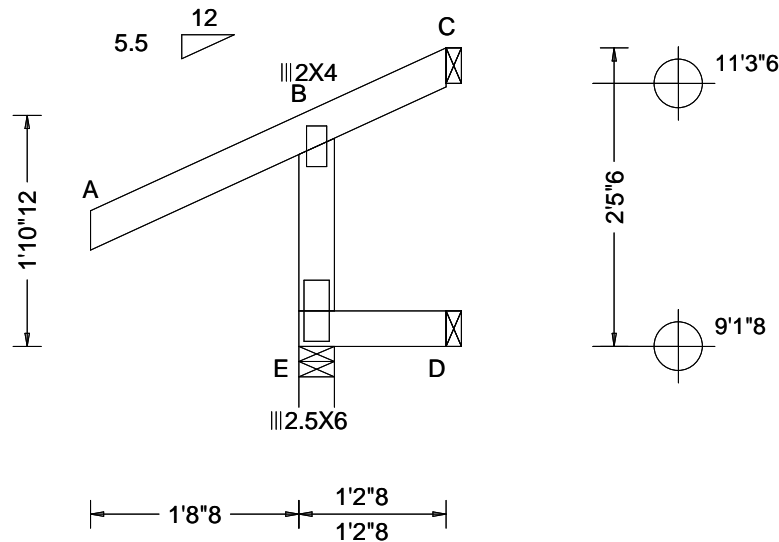


COA #0278

Florida Certificate of Product Approval #FL 1999

****WARNING** READ AND FOLLOW ALL NOTES ON THIS DRAWING!**
****IMPORTANT** FURNISH THIS DRAWING TO ALL CONTRACTORS INCLUDING THE INSTALLERS**
 Trusses require extreme care in fabricating, handling, shipping, installing and bracing. Refer to and follow the latest edition of BCSI (Building Component Safety Information, by TPI and SBCA) for safety practices prior to performing these functions. Installers shall provide temporary bracing per BCSI. Unless noted otherwise, top chord shall have properly attached structural sheathing and bottom chord shall have a properly attached rigid ceiling. Locations shown for permanent lateral restraint of webs shall have continuous lateral restraint (CLR), installed with diagonal bracing installed on the CLR per BCSI sections B3, B7, or B10, as applicable. Apply plates to each face of truss and position as shown above and on the Joint Details, unless noted otherwise. Refer to drawings 160A-Z for standard plate positions. Refer to job's General Notes page for additional information.
 Alpine, a division of ITW Building Components Group Inc. shall not be responsible for any deviation from this drawing, any failure to build the truss in conformance with ANSI/TPI 1, or for handling, shipping, installation and bracing of trusses. A seal on this drawing or cover page listing this drawing, indicates acceptance of professional engineering responsibility solely for the design shown. The suitability and use of this drawing for any structure is the responsibility of the Building Designer per ANSI/TPI 1 Sec.2.
 For more information see these web sites: Alpine: alpineitw.com; TPI: tpinst.org; SBCA: sbccomponents.com; ICC: iccsafe.org; AWC: awc.org





Loading Criteria (psf) TCCL: 20.00 TCDL: 10.00 BCLL: 0.00 BCDL: 10.00 Des Ld: 40.00 NCBCLL: 10.00 Soffit: 2.00 Load Duration: 1.25 Spacing: 24.0 "	Wind Criteria Wind Std: ASCE 7-22 Speed: 130 mph Enclosure: Enclosed Risk Category: II EXP: C Kzt: NA Mean Height: 15.00 ft TCDL: 5.0 psf BCDL: 5.0 psf MWFRS Parallel Dist: 0 to h/2 C&C Dist a: 3.00 ft Loc. from endwall: Any GCp: 0.18 Wind Duration: 1.60	Snow Criteria (Pg,Pf in PSF) Pg: NA Ct: NA CAT: NA Pf: NA Ce: NA Lu: NA Cs: NA Snow Duration: NA Building Code: FBC 8th Ed. 2023 Res. TPI Std: 2014 Rep Fac: Yes FT/RT:20(0)/10(0) Plate Type(s): WAVE	Defl/CSI Criteria PP Deflection in loc L/defl L/# VERT(LL): 0.001 B 999 360 VERT(CL): 0.001 B 999 240 HORZ(LL): 0.000 B - - HORZ(TL): 0.000 B - - Creep Factor: 2.0 Max TC CSI: 0.302 Max BC CSI: 0.014 Max Web CSI: 0.197 VIEW Ver: 24.02.00D.0114.10	▲ Maximum Reactions (lbs) <table border="1"> <thead> <tr> <th rowspan="2">Loc</th> <th colspan="3">Gravity</th> <th colspan="3">Non-Gravity</th> </tr> <tr> <th>R+</th> <th>/R-</th> <th>/Rh</th> <th>/Rw</th> <th>/U</th> <th>/RL</th> </tr> </thead> <tbody> <tr> <td>E</td> <td>243</td> <td>/-</td> <td>/-</td> <td>/58</td> <td>/101</td> <td>/-</td> </tr> <tr> <td>D</td> <td>24</td> <td>/-</td> <td>/-</td> <td>/12</td> <td>/-</td> <td>/25</td> </tr> <tr> <td>C</td> <td>-</td> <td>/-43</td> <td>/-</td> <td>/49</td> <td>/-</td> <td>/78</td> </tr> </tbody> </table>	Loc	Gravity			Non-Gravity			R+	/R-	/Rh	/Rw	/U	/RL	E	243	/-	/-	/58	/101	/-	D	24	/-	/-	/12	/-	/25	C	-	/-43	/-	/49	/-	/78
				Loc		Gravity			Non-Gravity																													
R+	/R-	/Rh	/Rw		/U	/RL																																
E	243	/-	/-	/58	/101	/-																																
D	24	/-	/-	/12	/-	/25																																
C	-	/-43	/-	/49	/-	/78																																
▲ Maximum Web Forces Per Ply (lbs) Webs Tens.Comp. B - E 485 -231																																						

Lumber

Top chord: 2x4 SP #2;
 Bot chord: 2x4 SP #2;
 Webs: 2x4 SP #3;

Wind

Wind loads based on MWFRS with additional C&C member design.
 Left end vertical exposed to wind pressure. Deflection meets L/360.
 Wind loading based on both gable and hip roof types.

Additional Notes

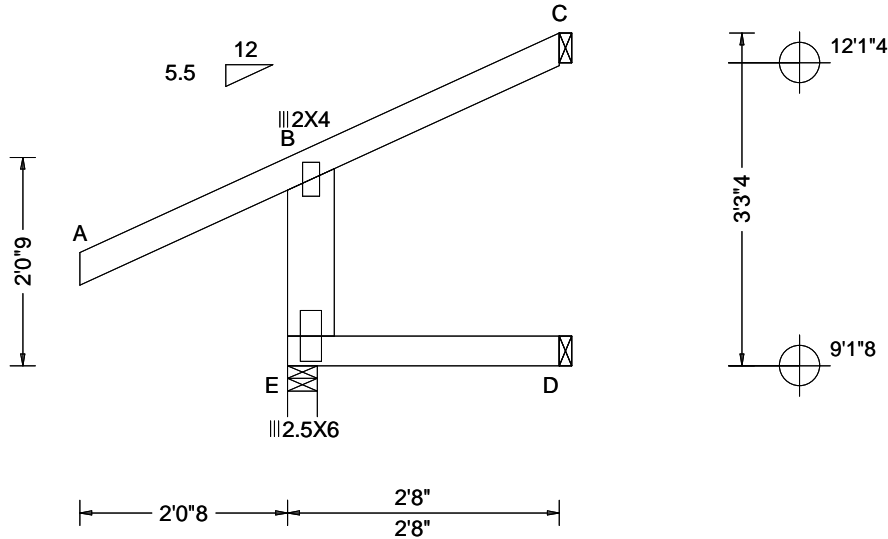
The overall height of this truss excluding overhang is 2-5-6.



COA #0278
 04/02/2026
 Florida Certificate of Product Approval #FL 1999

****WARNING** READ AND FOLLOW ALL NOTES ON THIS DRAWING!**
****IMPORTANT** FURNISH THIS DRAWING TO ALL CONTRACTORS INCLUDING THE INSTALLERS**
 Trusses require extreme care in fabricating, handling, shipping, installing and bracing. Refer to and follow the latest edition of BCSI (Building Component Safety Information, by TPI and SBCA) for safety practices prior to performing these functions. Installers shall provide temporary bracing per BCSI. Unless noted otherwise, top chord shall have properly attached structural sheathing and bottom chord shall have a properly attached rigid ceiling. Locations shown for permanent lateral restraint of webs shall have continuous lateral restraint (CLR), installed with diagonal bracing installed on the CLR per BCSI sections B3, B7, or B10, as applicable. Apply plates to each face of truss and position as shown above and on the Joint Details, unless noted otherwise. Refer to drawings 160A-Z for standard plate positions. Refer to job's General Notes page for additional information.
 Alpine, a division of ITW Building Components Group Inc. shall not be responsible for any deviation from this drawing, any failure to build the truss in conformance with ANSI/TPI 1, or for handling, shipping, installation and bracing of trusses. A seal on this drawing or cover page listing this drawing, indicates acceptance of professional engineering responsibility solely for the design shown. The suitability and use of this drawing for any structure is the responsibility of the Building Designer per ANSI/TPI 1 Sec.2.
 For more information see these web sites: Alpine: alpineitw.com; TPI: tpinst.org; SBCA: sbccomponents.com; ICC: iccsafe.org; AWC: awc.org





Loading Criteria (psf) TCCL: 20.00 TCDL: 10.00 BCLL: 0.00 BCDL: 10.00 Des Ld: 40.00 NCBCLL: 10.00 Soffit: 2.00 Load Duration: 1.25 Spacing: 24.0 "	Wind Criteria Wind Std: ASCE 7-22 Speed: 130 mph Enclosure: Enclosed Risk Category: II EXP: C Kzt: NA Mean Height: 15.00 ft TCDL: 5.0 psf BCDL: 5.0 psf MWFRS Parallel Dist: 0 to h/2 C&C Dist a: 3.00 ft Loc. from endwall: not in 4.50 ft GCp: 0.18 Wind Duration: 1.60	Snow Criteria (Pg,Pf in PSF) Pg: NA Ct: NA CAT: NA Pf: NA Ce: NA Lu: NA Cs: NA Snow Duration: NA Building Code: FBC 8th Ed. 2023 Res. TPI Std: 2014 Rep Fac: Yes FT/RT:20(0)/10(0) Plate Type(s): WAVE	Defl/CSI Criteria PP Deflection in loc L/defl L/# VERT(LL): 0.000 B 999 360 VERT(CL): 0.000 B 999 240 HORZ(LL): 0.000 B - - HORZ(TL): 0.001 B - - Creep Factor: 2.0 Max TC CSI: 0.377 Max BC CSI: 0.076 Max Web CSI: 0.062 VIEW Ver: 24.02.00D.0114.10	▲ Maximum Reactions (lbs) <table border="1"> <thead> <tr> <th rowspan="2">Loc</th> <th colspan="3">Gravity</th> <th colspan="3">Non-Gravity</th> </tr> <tr> <th>R+</th> <th>/R-</th> <th>/Rh</th> <th>/Rw</th> <th>/U</th> <th>/RL</th> </tr> </thead> <tbody> <tr> <td>E</td> <td>297</td> <td>/-</td> <td>/-</td> <td>/99</td> <td>/117</td> <td>/-</td> </tr> <tr> <td>D</td> <td>53</td> <td>/-</td> <td>/-</td> <td>/27</td> <td>/-</td> <td>/28</td> </tr> <tr> <td>C</td> <td>31</td> <td>/-</td> <td>/-</td> <td>/34</td> <td>/-</td> <td>/113</td> </tr> </tbody> </table>	Loc	Gravity			Non-Gravity			R+	/R-	/Rh	/Rw	/U	/RL	E	297	/-	/-	/99	/117	/-	D	53	/-	/-	/27	/-	/28	C	31	/-	/-	/34	/-	/113
				Loc		Gravity			Non-Gravity																													
R+	/R-	/Rh	/Rw		/U	/RL																																
E	297	/-	/-	/99	/117	/-																																
D	53	/-	/-	/27	/-	/28																																
C	31	/-	/-	/34	/-	/113																																
Wind reactions based on MWFRS E Brg Wid = 3.5 Min Req = 1.5 (Truss) D Brg Wid = 1.5 Min Req = - C Brg Wid = 1.5 Min Req = - Bearing E is a rigid surface. Members not listed have forces less than 375# Maximum Web Forces Per Ply (lbs) <table border="1"> <thead> <tr> <th>Webs</th> <th>Tens.Comp.</th> </tr> </thead> <tbody> <tr> <td>B - E</td> <td>419 -270</td> </tr> </tbody> </table>				Webs	Tens.Comp.	B - E	419 -270																															
Webs	Tens.Comp.																																					
B - E	419 -270																																					

Lumber

Top chord: 2x4 SP #2;
 Bot chord: 2x4 SP #2;
 Webs: 2x6 SP #2;

Wind

Wind loads based on MWFRS with additional C&C member design.
 Left end vertical exposed to wind pressure. Deflection meets L/360.
 Wind loading based on both gable and hip roof types.

Additional Notes

The overall height of this truss excluding overhang is 3-3-4.

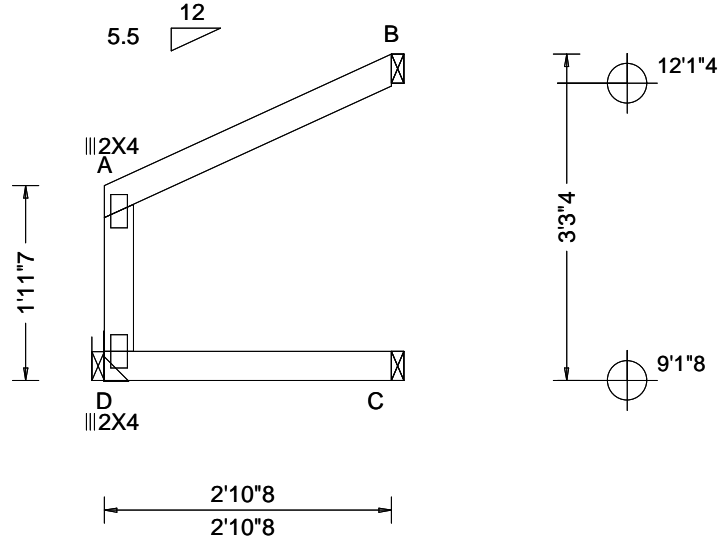


COA #0278

Florida Certificate of Product Approval #FL 1999

****WARNING** READ AND FOLLOW ALL NOTES ON THIS DRAWING!**
****IMPORTANT** FURNISH THIS DRAWING TO ALL CONTRACTORS INCLUDING THE INSTALLERS**
 Trusses require extreme care in fabricating, handling, shipping, installing and bracing. Refer to and follow the latest edition of BCSI (Building Component Safety Information, by TPI and SBCA) for safety practices prior to performing these functions. Installers shall provide temporary bracing per BCSI. Unless noted otherwise, top chord shall have properly attached structural sheathing and bottom chord shall have a properly attached rigid ceiling. Locations shown for permanent lateral restraint of webs shall have continuous lateral restraint (CLR), installed with diagonal bracing installed on the CLR per BCSI sections B3, B7, or B10, as applicable. Apply plates to each face of truss and position as shown above and on the Joint Details, unless noted otherwise. Refer to drawings 160A-Z for standard plate positions. Refer to job's General Notes page for additional information.
 Alpine, a division of ITW Building Components Group Inc. shall not be responsible for any deviation from this drawing, any failure to build the truss in conformance with ANSI/TPI 1, or for handling, shipping, installation and bracing of trusses. A seal on this drawing or cover page listing this drawing, indicates acceptance of professional engineering responsibility solely for the design shown. The suitability and use of this drawing for any structure is the responsibility of the Building Designer per ANSI/TPI 1 Sec.2.
 For more information see these web sites: Alpine: alpineitw.com; TPI: tpinst.org; SBCA: sbccomponents.com; ICC: iccsafe.org; AWC: awc.org





Loading Criteria (psf) TCLL: 20.00 TCCL: 10.00 BCLL: 0.00 BCDL: 10.00 Des Ld: 40.00 NCBCLL: 10.00 Soffit: 2.00 Load Duration: 1.25 Spacing: 24.0 "	Wind Criteria Wind Std: ASCE 7-22 Speed: 130 mph Enclosure: Enclosed Risk Category: II EXP: C Kzt: NA Mean Height: 15.00 ft TCCL: 5.0 psf BCDL: 5.0 psf MWFRS Parallel Dist: 0 to h/2 C&C Dist a: 3.00 ft Loc. from endwall: not in 4.50 ft GCp: 0.18 Wind Duration: 1.60	Snow Criteria (Pg,Pf in PSF) Pg: NA Ct: NA CAT: NA Pf: NA Ce: NA Lu: NA Cs: NA Snow Duration: NA Building Code: FBC 8th Ed. 2023 Res. TPI Std: 2014 Rep Fac: Yes FT/RT:20(0)/10(0) Plate Type(s): WAVE	Defl/CSI Criteria PP Deflection in loc L/defl L/# VERT(LL): 0.000 A 999 360 VERT(CL): 0.000 A 999 240 HORZ(LL): 0.000 A - - - HORZ(TL): 0.000 A - - - Creep Factor: 2.0 Max TC CSI: 0.196 Max BC CSI: 0.090 Max Web CSI: 0.045 VIEW Ver: 24.02.00D.0114.10	▲ Maximum Reactions (lbs) <table border="1"> <thead> <tr> <th rowspan="2">Loc</th> <th colspan="3">Gravity</th> <th colspan="3">Non-Gravity</th> </tr> <tr> <th>R+</th> <th>/R-</th> <th>/Rh</th> <th>/Rw</th> <th>/U</th> <th>/RL</th> </tr> </thead> <tbody> <tr> <td>D</td> <td>118</td> <td>/-</td> <td>/-</td> <td>/81</td> <td>/29</td> <td>/-</td> </tr> <tr> <td>C</td> <td>57</td> <td>/-</td> <td>/-</td> <td>/29</td> <td>/-</td> <td>/-</td> </tr> <tr> <td>B</td> <td>89</td> <td>/-</td> <td>/-</td> <td>/46</td> <td>/25</td> <td>/46</td> </tr> </tbody> </table>	Loc	Gravity			Non-Gravity			R+	/R-	/Rh	/Rw	/U	/RL	D	118	/-	/-	/81	/29	/-	C	57	/-	/-	/29	/-	/-	B	89	/-	/-	/46	/25	/46
				Loc		Gravity			Non-Gravity																													
R+	/R-	/Rh	/Rw		/U	/RL																																
D	118	/-	/-	/81	/29	/-																																
C	57	/-	/-	/29	/-	/-																																
B	89	/-	/-	/46	/25	/46																																
				Wind reactions based on MWFRS D Brg Wid = - Min Req = - C Brg Wid = 1.5 Min Req = - B Brg Wid = 1.5 Min Req = - Members not listed have forces less than 375#																																		

Lumber

Top chord: 2x4 SP #2;
 Bot chord: 2x4 SP #2;
 Webs: 2x4 SP #3;

Hangers / Ties

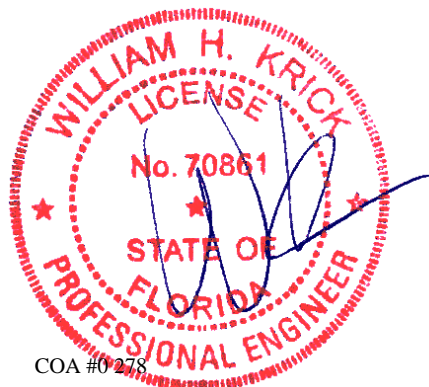
Hanger Support Required, by others

Wind

Wind loads based on MWFRS with additional C&C member design.
 Left end vertical not exposed to wind pressure.
 Wind loading based on both gable and hip roof types.

Additional Notes

The overall height of this truss excluding overhang is 3-3-4.

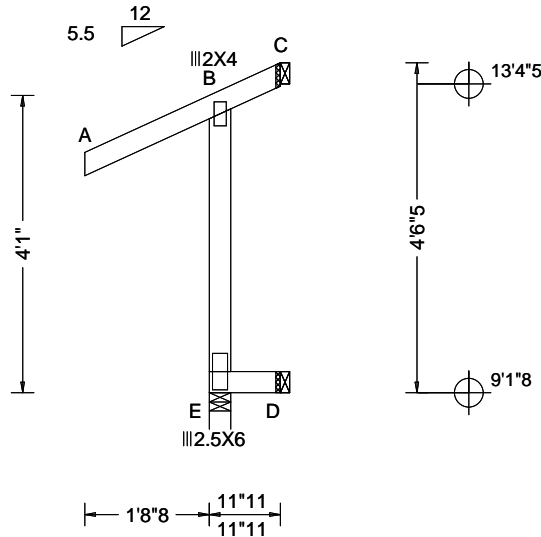


COA #0278

01/02/2026
 Florida Certificate of Product Approval #FL 1999

****WARNING** READ AND FOLLOW ALL NOTES ON THIS DRAWING!**
****IMPORTANT** FURNISH THIS DRAWING TO ALL CONTRACTORS INCLUDING THE INSTALLERS**
 Trusses require extreme care in fabricating, handling, shipping, installing and bracing. Refer to and follow the latest edition of BCSI (Building Component Safety Information, by TPI and SBCA) for safety practices prior to performing these functions. Installers shall provide temporary bracing per BCSI. Unless noted otherwise, top chord shall have properly attached structural sheathing and bottom chord shall have a properly attached rigid ceiling. Locations shown for permanent lateral restraint of webs shall have continuous lateral restraint (CLR), installed with diagonal bracing installed on the CLR per BCSI sections B3, B7, or B10, as applicable. Apply plates to each face of truss and position as shown above and on the Joint Details, unless noted otherwise. Refer to drawings 160A-Z for standard plate positions. Refer to job's General Notes page for additional information.
 Alpine, a division of ITW Building Components Group Inc. shall not be responsible for any deviation from this drawing, any failure to build the truss in conformance with ANSI/TPI 1, or for handling, shipping, installation and bracing of trusses. A seal on this drawing or cover page listing this drawing, indicates acceptance of professional engineering responsibility solely for the design shown. The suitability and use of this drawing for any structure is the responsibility of the Building Designer per ANSI/TPI 1 Sec.2.
 For more information see these web sites: Alpine: alpineitw.com; TPI: tpinst.org; SBCA: sbccomponents.com; ICC: iccsafe.org; AWC: awc.org





Loading Criteria (psf) TCCL: 20.00 TCCL: 10.00 BCLL: 0.00 BCDL: 10.00 Des Ld: 40.00 NCBCLL: 10.00 Soffit: 2.00 Load Duration: 1.25 Spacing: 24.0 "	Wind Criteria Wind Std: ASCE 7-22 Speed: 130 mph Enclosure: Enclosed Risk Category: II EXP: C Kzt: NA Mean Height: 15.00 ft TCCL: 5.0 psf BCDL: 5.0 psf MWFRS Parallel Dist: 0 to h/2 C&C Dist a: 3.00 ft Loc. from endwall: Any GCp: 0.18 Wind Duration: 1.60	Snow Criteria (Pg,Pf in PSF) Pg: NA Ct: NA CAT: NA Pf: NA Ce: NA Lu: NA Cs: NA Snow Duration: NA Building Code: FBC 8th Ed. 2023 Res. TPI Std: 2014 Rep Fac: Yes FT/RT:20(0)/10(0) Plate Type(s): WAVE	Defl/CSI Criteria PP Deflection in loc L/defl L/# VERT(LL): 0.001 B 999 360 VERT(CL): 0.002 B 999 240 HORZ(LL): 0.001 B - - HORZ(TL): 0.001 B - - Creep Factor: 2.0 Max TC CSI: 0.312 Max BC CSI: 0.011 Max Web CSI: 0.524 VIEW Ver: 24.02.00D.0114.10	▲ Maximum Reactions (lbs) <table border="1"> <thead> <tr> <th rowspan="2">Loc</th> <th colspan="3">Gravity</th> <th colspan="3">Non-Gravity</th> </tr> <tr> <th>R+</th> <th>/R-</th> <th>/Rh</th> <th>/Rw</th> <th>/U</th> <th>/RL</th> </tr> </thead> <tbody> <tr> <td>E</td> <td>253</td> <td>/-</td> <td>/-</td> <td>/68</td> <td>/121</td> <td>/-</td> </tr> <tr> <td>D</td> <td>19</td> <td>/-</td> <td>/-</td> <td>/10</td> <td>/-</td> <td>/61</td> </tr> <tr> <td>C</td> <td>-</td> <td>/-69</td> <td>/-</td> <td>/74</td> <td>/22</td> <td>/106</td> </tr> </tbody> </table>	Loc	Gravity			Non-Gravity			R+	/R-	/Rh	/Rw	/U	/RL	E	253	/-	/-	/68	/121	/-	D	19	/-	/-	/10	/-	/61	C	-	/-69	/-	/74	/22	/106
				Loc		Gravity			Non-Gravity																													
R+	/R-	/Rh	/Rw		/U	/RL																																
E	253	/-	/-	/68	/121	/-																																
D	19	/-	/-	/10	/-	/61																																
C	-	/-69	/-	/74	/22	/106																																
Wind reactions based on MWFRS E Brg Wid = 3.5 Min Req = 1.5 (Truss) D Brg Wid = 1.5 Min Req = - C Brg Wid = 1.5 Min Req = - Bearing E is a rigid surface. Members not listed have forces less than 375# Maximum Web Forces Per Ply (lbs) <table border="1"> <thead> <tr> <th>Webs</th> <th>Tens.Comp.</th> </tr> </thead> <tbody> <tr> <td>B - E</td> <td>551 -243</td> </tr> </tbody> </table>				Webs	Tens.Comp.	B - E	551 -243																															
Webs	Tens.Comp.																																					
B - E	551 -243																																					

Lumber

Top chord: 2x4 SP #2;
 Bot chord: 2x4 SP #2;
 Webs: 2x4 SP #3;

Wind

Wind loads based on MWFRS with additional C&C member design.
 Left end vertical exposed to wind pressure. Deflection meets L/360.
 Wind loading based on both gable and hip roof types.

Additional Notes

The overall height of this truss excluding overhang is 4-6-5.

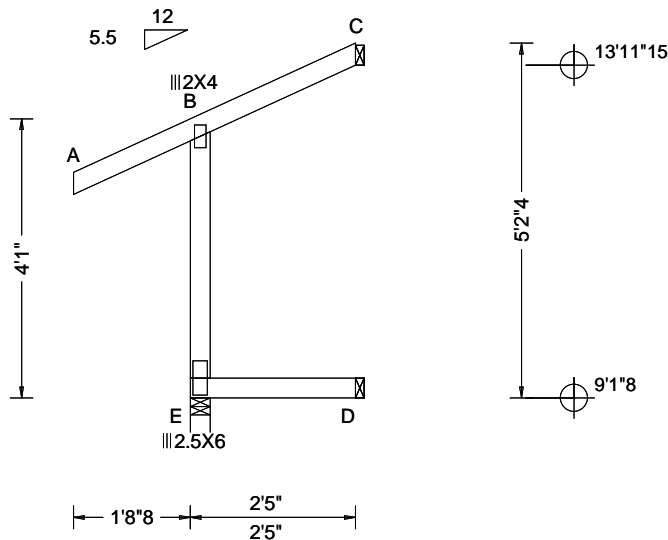


COA #0278

Florida Certificate of Product Approval #FL 1999

****WARNING** READ AND FOLLOW ALL NOTES ON THIS DRAWING!**
****IMPORTANT** FURNISH THIS DRAWING TO ALL CONTRACTORS INCLUDING THE INSTALLERS**
 Trusses require extreme care in fabricating, handling, shipping, installing and bracing. Refer to and follow the latest edition of BCSI (Building Component Safety Information, by TPI and SBCA) for safety practices prior to performing these functions. Installers shall provide temporary bracing per BCSI. Unless noted otherwise, top chord shall have properly attached structural sheathing and bottom chord shall have a properly attached rigid ceiling. Locations shown for permanent lateral restraint of webs shall have continuous lateral restraint (CLR), installed with diagonal bracing installed on the CLR per BCSI sections B3, B7, or B10, as applicable. Apply plates to each face of truss and position as shown above and on the Joint Details, unless noted otherwise. Refer to drawings 160A-Z for standard plate positions. Refer to job's General Notes page for additional information.
 Alpine, a division of ITW Building Components Group Inc. shall not be responsible for any deviation from this drawing, any failure to build the truss in conformance with ANSI/TPI 1, or for handling, shipping, installation and bracing of trusses. A seal on this drawing or cover page listing this drawing, indicates acceptance of professional engineering responsibility solely for the design shown. The suitability and use of this drawing for any structure is the responsibility of the Building Designer per ANSI/TPI 1 Sec.2.
 For more information see these web sites: Alpine: alpineitw.com; TPI: tpinst.org; SBCA: sbcacomponents.com; ICC: iccsafe.org; AWC: awc.org





Loading Criteria (psf)	Wind Criteria	Snow Criteria (Pg,Pf in PSF)	Defl/CSI Criteria	▲ Maximum Reactions (lbs)						
				Gravity			Non-Gravity			
TCLL: 20.00	Wind Std: ASCE 7-22	Pg: NA Ct: NA CAT: NA	PP Deflection in loc L/defl L/#	Loc	R+	/R-	/Rh	/Rw	/U	/RL
TCDL: 10.00	Speed: 130 mph	Pf: NA Ce: NA	VERT(LL): 0.001 B 999 360	E	253	/-	/-	/104	/112	/-
BCLL: 0.00	Enclosure: Enclosed	Lu: NA Cs: NA	VERT(CL): 0.002 B 999 240	D	48	/-	/-	/24	/-	/61
BCDL: 10.00	Risk Category: II	Snow Duration: NA	HORZ(LL): 0.000 B - - -	C	35	/-	/-	/39	/-	/129
Des Ld: 40.00	EXP: C Kzt: NA	Building Code:	HORZ(TL): 0.001 B - - -	Wind reactions based on MWFRS						
NCBCLL: 10.00	Mean Height: 15.00 ft	FBC 8th Ed. 2023 Res.	Creep Factor: 2.0	E Brg Wid = 3.5 Min Req = 1.5 (Truss)						
Soffit: 2.00	TCDL: 5.0 psf	TPI Std: 2014	Max TC CSI: 0.320	D Brg Wid = 1.5 Min Req = -						
Load Duration: 1.25	BCDL: 5.0 psf	Rep Fac: Yes	Max BC CSI: 0.062	C Brg Wid = 1.5 Min Req = -						
Spacing: 24.0 "	MWFRS Parallel Dist: 0 to h/2	FT/RT:20(0)/10(0)	Max Web CSI: 0.506	Bearing E is a rigid surface.						
	C&C Dist a: 3.00 ft	Plate Type(s):	VIEW Ver: 24.02.00D.0114.10	Members not listed have forces less than 375#						
	Loc. from endwall: Any	WAVE		Maximum Web Forces Per Ply (lbs)						
	GCp: 0.18			Webs	Tens.Comp.					
	Wind Duration: 1.60			B - E	489	-228				

Lumber

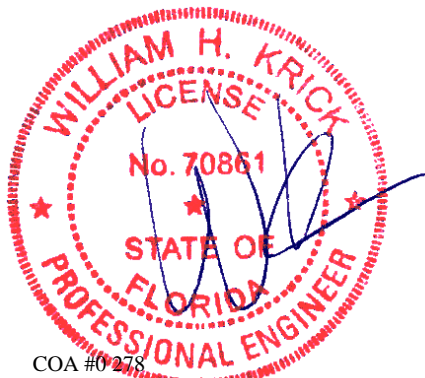
Top chord: 2x4 SP #2;
Bot chord: 2x4 SP #2;
Webs: 2x4 SP #3;

Wind

Wind loads based on MWFRS with additional C&C member design.
Left end vertical exposed to wind pressure. Deflection meets L/360.
Wind loading based on both gable and hip roof types.

Additional Notes

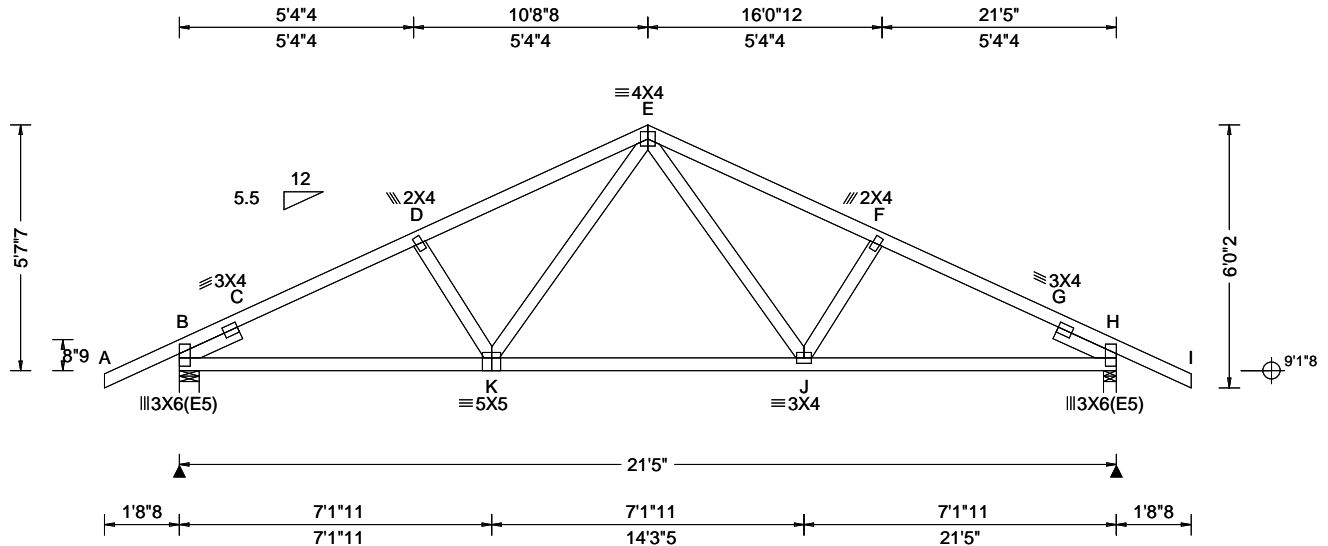
The overall height of this truss excluding overhang is 5-2-4.



COA #0278

Florida Certificate of Product Approval #FL 1999

****WARNING**** READ AND FOLLOW ALL NOTES ON THIS DRAWING!
****IMPORTANT**** FURNISH THIS DRAWING TO ALL CONTRACTORS INCLUDING THE INSTALLERS
Trusses require extreme care in fabricating, handling, shipping, installing and bracing. Refer to and follow the latest edition of BCSI (Building Component Safety Information, by TPI and SBCA) for safety practices prior to performing these functions. Installers shall provide temporary bracing per BCSI. Unless noted otherwise, top chord shall have properly attached structural sheathing and bottom chord shall have a properly attached rigid ceiling. Locations shown for permanent lateral restraint of webs shall have continuous lateral restraint (CLR), installed with diagonal bracing installed on the CLR per BCSI sections B3, B7, or B10, as applicable. Apply plates to each face of truss and position as shown above and on the Joint Details, unless noted otherwise. Refer to drawings 160A-Z for standard plate positions. Refer to job's General Notes page for additional information.
Alpine, a division of ITW Building Components Group Inc. shall not be responsible for any deviation from this drawing, any failure to build the truss in conformance with ANSI/TPI 1, or for handling, shipping, installation and bracing of trusses. A seal on this drawing or cover page listing this drawing, indicates acceptance of professional engineering responsibility solely for the design shown. The suitability and use of this drawing for any structure is the responsibility of the Building Designer per ANSI/TPI 1 Sec.2.
For more information see these web sites: Alpine: alpineitw.com; TPI: tpinst.org; SBCA: sbcacomponents.com; ICC: iccsafe.org; AWC: awc.org



Loading Criteria (psf)	Wind Criteria	Snow Criteria (Pg,Pf in PSF)	Defl/CSI Criteria	▲ Maximum Reactions (lbs)
TCLL: 20.00 TCDL: 10.00 BCDL: 0.00 BCDL: 10.00 Des Ld: 40.00 NCBCLL: 10.00 Soffit: 2.00 Load Duration: 1.25 Spacing: 24.0 "	Wind Std: ASCE 7-22 Speed: 130 mph Enclosure: Enclosed Risk Category: II EXP: C Kzt: NA Mean Height: 15.00 ft TCDL: 5.0 psf BCDL: 5.0 psf MWFRS Parallel Dist: h/2 to h C&C Dist a: 3.00 ft Loc. from endwall: not in 9.00 ft GCp: 0.18 Wind Duration: 1.60	Pg: NA Ct: NA CAT: NA Pf: NA Ce: NA Lu: NA Cs: NA Snow Duration: NA Building Code: FBC 8th Ed. 2023 Res. TPI Std: 2014 Rep Fac: Yes FT/RT:20(0)/10(0) Plate Type(s): WAVE	PP Deflection in loc L/defl L/# VERT(LL): 0.068 J 999 360 VERT(CL): 0.070 J 999 240 HORZ(LL): 0.027 H - - HORZ(TL): 0.036 H - - Creep Factor: 2.0 Max TC CSI: 0.259 Max BC CSI: 0.559 Max Web CSI: 0.179 VIEW Ver: 24.02.00D.0114.10	Gravity Loc R+ / R- / Rh / Rw / U / RL Non-Gravity B 992 /- /- /506 /183 /122 H 992 /- /- /506 /183 /- Wind reactions based on MWFRS B Brg Wid = 5.5 Min Req = 1.5 (Truss) H Brg Wid = 3.5 Min Req = 1.5 (Truss) Bearings B & H are a rigid surface. Members not listed have forces less than 375# Maximum Top Chord Forces Per Ply (lbs) Chords Tens.Comp. Chords Tens. Comp. B - C 398 -1546 E - F 389 -1296 C - D 382 -1431 F - G 382 -1432 D - E 389 -1295 G - H 398 -1544

Lumber

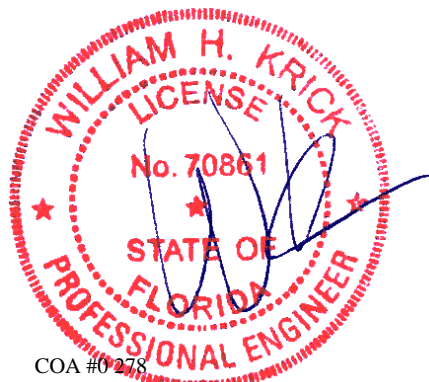
Top chord: 2x4 SP #2;
Bot chord: 2x4 SP #2;
Webs: 2x4 SP #3;
Lt Slider: 2x4 SP #3; block length = 1.500'
Rt Slider: 2x4 SP #3; block length = 1.500'

Wind

Wind loads based on MWFRS with additional C&C member design.
Wind loading based on both gable and hip roof types.

Additional Notes

The overall height of this truss excluding overhang is 5-7-7.

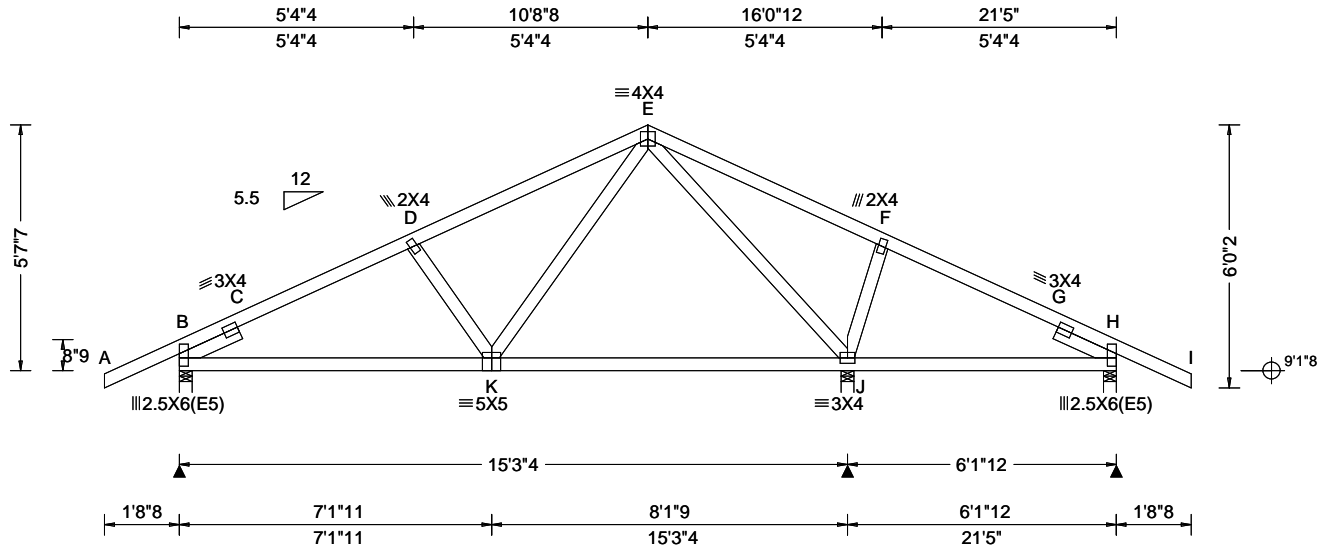


COA #0278

01/02/2026
Florida Certificate of Product Approval #FL 1999

****WARNING** READ AND FOLLOW ALL NOTES ON THIS DRAWING!**
****IMPORTANT** FURNISH THIS DRAWING TO ALL CONTRACTORS INCLUDING THE INSTALLERS**
Trusses require extreme care in fabricating, handling, shipping, installing and bracing. Refer to and follow the latest edition of BCSI (Building Component Safety Information, by TPI and SBCA) for safety practices prior to performing these functions. Installers shall provide temporary bracing per BCSI. Unless noted otherwise, top chord shall have properly attached structural sheathing and bottom chord shall have a properly attached rigid ceiling. Locations shown for permanent lateral restraint of webs shall have continuous lateral restraint (CLR), installed with diagonal bracing installed on the CLR per BCSI sections B3, B7, or B10, as applicable. Apply plates to each face of truss and position as shown above and on the Joint Details, unless noted otherwise. Refer to drawings 160A-Z for standard plate positions. Refer to job's General Notes page for additional information.
Alpine, a division of ITW Building Components Group Inc. shall not be responsible for any deviation from this drawing, any failure to build the truss in conformance with ANSI/TPI 1, or for handling, shipping, installation and bracing of trusses. A seal on this drawing or cover page listing this drawing, indicates acceptance of professional engineering responsibility solely for the design shown. The suitability and use of this drawing for any structure is the responsibility of the Building Designer per ANSI/TPI 1 Sec.2.
For more information see these web sites: Alpine: alpineitw.com; TPI: tpinst.org; SBCA: sbcacomponents.com; ICC: iccsafe.org; AWC: awc.org





Loading Criteria (psf) TCLL: 20.00 TCDL: 10.00 BCLL: 0.00 BCDL: 10.00 Des Ld: 40.00 NCBCLL: 10.00 Soffit: 2.00 Load Duration: 1.25 Spacing: 24.0 "	Wind Criteria Wind Std: ASCE 7-22 Speed: 130 mph Enclosure: Enclosed Risk Category: II EXP: C Kzt: NA Mean Height: 15.00 ft TCDL: 5.0 psf BCDL: 5.0 psf MWFRS Parallel Dist: h to 2h C&C Dist a: 3.00 ft Loc. from endwall: not in 9.00 ft GCp: 0.18 Wind Duration: 1.60	Snow Criteria (Pg,Pf in PSF) Pg: NA Ct: NA CAT: NA Pf: NA Ce: NA Lu: NA Cs: NA Snow Duration: NA Building Code: FBC 8th Ed. 2023 Res. TPI Std: 2014 Rep Fac: Yes FT/RT:20(0)/10(0) Plate Type(s): WAVE	Defl/CSI Criteria PP Deflection in loc L/defl L/# VERT(LL): 0.021 D 999 360 VERT(CL): 0.037 G 999 240 HORZ(LL): 0.006 J - - HORZ(TL): 0.014 G - - Creep Factor: 2.0 Max TC CSI: 0.414 Max BC CSI: 0.520 Max Web CSI: 0.684 VIEW Ver: 24.02.00D.0114.10	▲ Maximum Reactions (lbs) Gravity Loc R+ / R- / Rh / Rw / U / RL Non-Gravity B 726 /- /- /363 /36 /122 J 1066 /- /- /528 /15 /- H 320 /- /- /130 /41 /- Wind reactions based on MWFRS B Brg Wid = 3.5 Min Req = 1.5 (Truss) J Brg Wid = 3.5 Min Req = 1.5 (Truss) H Brg Wid = 3.5 Min Req = 1.5 (Truss) Bearings B, J, & H are a rigid surface. Members not listed have forces less than 375# Maximum Top Chord Forces Per Ply (lbs) Chords Tens.Comp. Chords Tens. Comp. B - C 261 -1059 D - E 243 -756 C - D 247 -907 Maximum Bot Chord Forces Per Ply (lbs) Chords Tens.Comp. B - K 785 -139 Maximum Web Forces Per Ply (lbs) Webs Tens.Comp. Webs Tens. Comp. K - E 558 -113 E - J 152 -706
--------------------------------------------------------------------------------------------------------------------------------------------------------------------------------------	------------------------------------------------------------------------------------------------------------------------------------------------------------------------------------------------------------------------------------------------------------------------------------------------------------------------	----------------------------------------------------------------------------------------------------------------------------------------------------------------------------------------------------------------------------------------------------	-------------------------------------------------------------------------------------------------------------------------------------------------------------------------------------------------------------------------------------------------------------------------------------------------	-------------------------------------------------------------------------------------------------------------------------------------------------------------------------------------------------------------------------------------------------------------------------------------------------------------------------------------------------------------------------------------------------------------------------------------------------------------------------------------------------------------------------------------------------------------------------------------------------------------------------------------------------------------------------------------------------------------------------------------------------------------------------------------------------------

Lumber

Top chord: 2x4 SP #2;
Bot chord: 2x4 SP #2;
Webs: 2x4 SP #3;
Lt Slider: 2x4 SP #3; block length = 1.500'
Rt Slider: 2x4 SP #3; block length = 1.500'

Loading

Truss passed check for 20 psf additional bottom chord live load in areas with 42"-high x 24"-wide clearance.

Wind

Wind loads based on MWFRS with additional C&C member design.
Wind loading based on both gable and hip roof types.

Additional Notes

The overall height of this truss excluding overhang is 5-7-7.

THIS TRUSS MUST BE INSTALLED AS SHOWN AND NOT END FOR END.

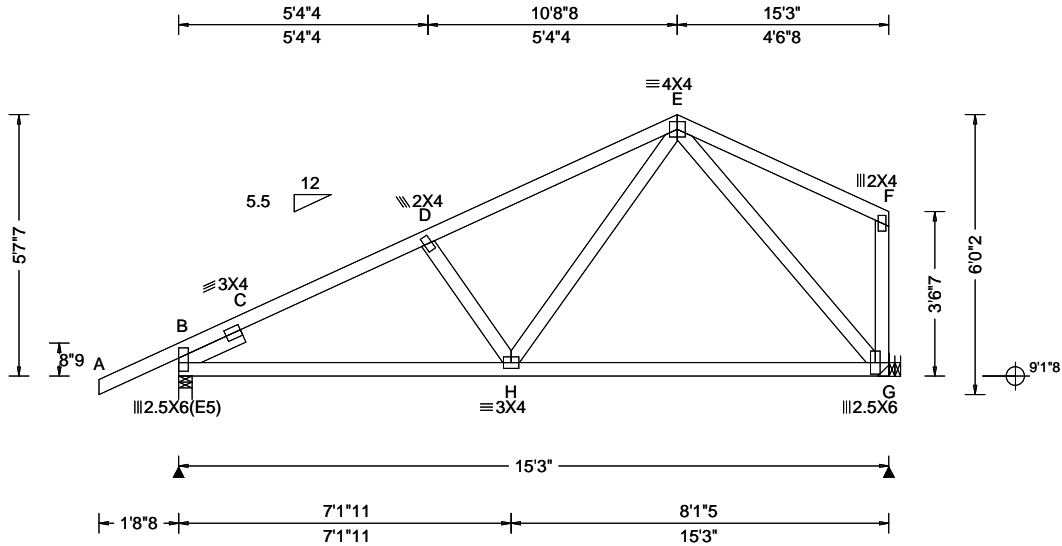


COA #0278

Florida Certificate of Product Approval #FL 1999

****WARNING** READ AND FOLLOW ALL NOTES ON THIS DRAWING!**
****IMPORTANT** FURNISH THIS DRAWING TO ALL CONTRACTORS INCLUDING THE INSTALLERS**
Trusses require extreme care in fabricating, handling, shipping, installing and bracing. Refer to and follow the latest edition of BCSI (Building Component Safety Information, by TPI and SBCA) for safety practices prior to performing these functions. Installers shall provide temporary bracing per BCSI. Unless noted otherwise, top chord shall have properly attached structural sheathing and bottom chord shall have a properly attached rigid ceiling. Locations shown for permanent lateral restraint of webs shall have continuous lateral restraint (CLR), installed with diagonal bracing installed on the CLR per BCSI sections B3, B7, or B10, as applicable. Apply plates to each face of truss and position as shown above and on the Joint Details, unless noted otherwise. Refer to drawings 160A-Z for standard plate positions. Refer to job's General Notes page for additional information.
Alpine, a division of ITW Building Components Group Inc. shall not be responsible for any deviation from this drawing, any failure to build the truss in conformance with ANSI/TPI 1, or for handling, shipping, installation and bracing of trusses. A seal on this drawing or cover page listing this drawing, indicates acceptance of professional engineering responsibility solely for the design shown. The suitability and use of this drawing for any structure is the responsibility of the Building Designer per ANSI/TPI 1 Sec.2.
For more information see these web sites: Alpine: alpineitw.com; TPI: tpinst.org; SBCA: sbccomponents.com; ICC: iccsafe.org; AWC: awc.org





Loading Criteria (psf) TCLL: 20.00 TCDL: 10.00 BCLL: 0.00 BCDL: 10.00 Des Ld: 40.00 NCBCLL: 10.00 Soffit: 2.00 Load Duration: 1.25 Spacing: 24.0 "	Wind Criteria Wind Std: ASCE 7-22 Speed: 130 mph Enclosure: Enclosed Risk Category: II EXP: C Kzt: NA Mean Height: 15.00 ft TCDL: 5.0 psf BCDL: 5.0 psf MWFRS Parallel Dist: > 2h C&C Dist a: 3.00 ft Loc. from endwall: not in 9.00 ft GCp: 0.18 Wind Duration: 1.60	Snow Criteria (Pg,Pf in PSF) Pg: NA Ct: NA CAT: NA Pf: NA Ce: NA Lu: NA Cs: NA Snow Duration: NA Building Code: FBC 8th Ed. 2023 Res. TPI Std: 2014 Rep Fac: Yes FT/RT:20(0)/10(0) Plate Type(s): WAVE	Defl/CSI Criteria PP Deflection in loc L/defl L/# VERT(LL): 0.029 D 999 360 VERT(CL): 0.039 D 999 240 HORZ(LL): 0.010 G - - HORZ(TL): 0.014 C - - Creep Factor: 2.0 Max TC CSI: 0.373 Max BC CSI: 0.627 Max Web CSI: 0.478 VIEW Ver: 24.02.00D.0114.10	▲ Maximum Reactions (lbs) Gravity Non-Gravity Loc R+ / R- / Rh / Rw / U / RL B 745 - / - / /385 /31 /140 G 619 - / - / /338 /13 - Wind reactions based on MWFRS B Brg Wid = 3.5 Min Req = 1.5 (Truss) G Brg Wid = - Min Req = - Bearing B is a rigid surface. Members not listed have forces less than 375# Maximum Top Chord Forces Per Ply (lbs) Chords Tens.Comp. Chords Tens. Comp. B - C 310 -1032 D - E 281 -788 C - D 290 -939 Maximum Bot Chord Forces Per Ply (lbs) Chords Tens.Comp. B - H 814 -347 Maximum Web Forces Per Ply (lbs) Webs Tens.Comp. Webs Tens. Comp. H - E 525 -138 E - G 200 -523
--------------------------------------------------------------------------------------------------------------------------------------------------------------------------------------	---------------------------------------------------------------------------------------------------------------------------------------------------------------------------------------------------------------------------------------------------------------------------------------------------------------------	----------------------------------------------------------------------------------------------------------------------------------------------------------------------------------------------------------------------------------------------------	-------------------------------------------------------------------------------------------------------------------------------------------------------------------------------------------------------------------------------------------------------------------------------------------------	------------------------------------------------------------------------------------------------------------------------------------------------------------------------------------------------------------------------------------------------------------------------------------------------------------------------------------------------------------------------------------------------------------------------------------------------------------------------------------------------------------------------------------------------------------------------------------------------------------------------------------------------------------------------------------------------------------

Lumber

Top chord: 2x4 SP #2;
Bot chord: 2x4 SP #2;
Webs: 2x4 SP #3;
Lt Slider: 2x4 SP #3; block length = 1.500"

Hangers / Ties

Hanger Support Required, by others

Wind

Wind loads based on MWFRS with additional C&C member design.
Right end vertical not exposed to wind pressure.
Wind loading based on both gable and hip roof types.

Additional Notes

The overall height of this truss excluding overhang is 5-7-7.

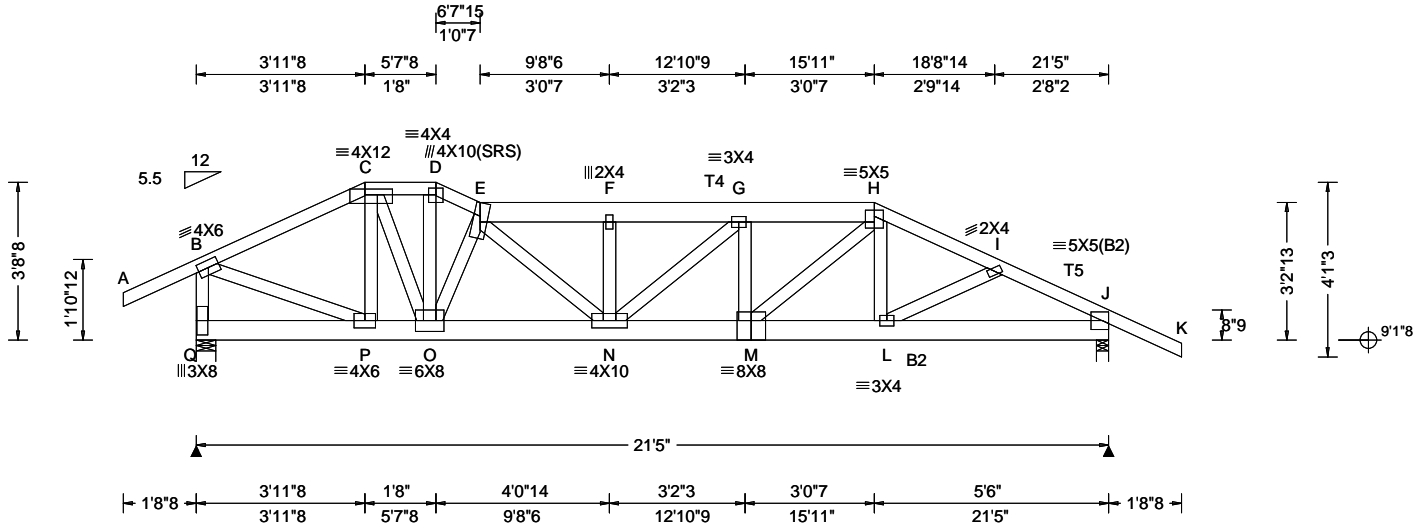


COA #0278

Florida Certificate of Product Approval #FL 1999

****WARNING** READ AND FOLLOW ALL NOTES ON THIS DRAWING!**
****IMPORTANT** FURNISH THIS DRAWING TO ALL CONTRACTORS INCLUDING THE INSTALLERS**
Trusses require extreme care in fabricating, handling, shipping, installing and bracing. Refer to and follow the latest edition of BCSI (Building Component Safety Information, by TPI and SBCA) for safety practices prior to performing these functions. Installers shall provide temporary bracing per BCSI. Unless noted otherwise, top chord shall have properly attached structural sheathing and bottom chord shall have a properly attached rigid ceiling. Locations shown for permanent lateral restraint of webs shall have continuous lateral restraint (CLR), installed with diagonal bracing installed on the CLR per BCSI sections B3, B7, or B10, as applicable. Apply plates to each face of truss and position as shown above and on the Joint Details, unless noted otherwise. Refer to drawings 160A-Z for standard plate positions. Refer to job's General Notes page for additional information.
Alpine, a division of ITW Building Components Group Inc. shall not be responsible for any deviation from this drawing, any failure to build the truss in conformance with ANSI/TPI 1, or for handling, shipping, installation and bracing of trusses. A seal on this drawing or cover page listing this drawing, indicates acceptance of professional engineering responsibility solely for the design shown. The suitability and use of this drawing for any structure is the responsibility of the Building Designer per ANSI/TPI 1 Sec.2.
For more information see these web sites: Alpine: alpineitw.com; TPI: tpinst.org; SBCA: sbccomponents.com; ICC: iccsafe.org; AWC: awc.org





Loading Criteria (psf) TCCL: 20.00 TCCL: 10.00 BCLL: 0.00 BCDL: 10.00 Des Ld: 40.00 NCBCLL: 10.00 Soffit: 2.00 Load Duration: 1.25 Spacing: 24.0 "	Wind Criteria Wind Std: ASCE 7-22 Speed: 130 mph Enclosure: Enclosed Risk Category: II EXP: C Kzt: NA Mean Height: 15.00 ft TCCL: 5.0 psf BCDL: 5.0 psf MWFRS Parallel Dist: 0 to h/2 C&C Dist a: 3.00 ft Loc. from endwall: not in 4.50 ft GCp: 0.18 Wind Duration: 1.60	Snow Criteria (Pg,Pf in PSF) Pg: NA Ct: NA CAT: NA Pf: NA Ce: NA Lu: NA Cs: NA Snow Duration: NA Building Code: FBC 8th Ed. 2023 Res. TPI Std: 2014 Rep Fac: Varies by Ld Case FT/RT:20(0)/10(0) Plate Type(s): WAVE	Defl/CSI Criteria PP Deflection in loc L/defl L/# VERT(LL): 0.127 F 999 360 VERT(CL): 0.253 F 999 240 HORZ(LL): 0.037 C - - HORZ(TL): 0.074 C - - Creep Factor: 2.0 Max TC CSI: 0.470 Max BC CSI: 0.766 Max Web CSI: 0.730 VIEW Ver: 24.02.00D.0114.10	▲ Maximum Reactions (lbs) Gravity Non-Gravity Loc R+ / R- / Rh / Rw / U / RL Q 1802 - / - / - / 366 / 64 J 2000 - / - / - / 416 / - Wind reactions based on MWFRS Q Brg Wid = 5.5 Min Req = 2.1 (Truss) J Brg Wid = 3.5 Min Req = 1.7 (Truss) Bearings Q & J are a rigid surface. Members not listed have forces less than 375# Maximum Top Chord Forces Per Ply (lbs) Chords Tens.Comp. Chords Tens. Comp.
				B - C 414 -2039 F - G 879 -4421 C - D 469 -2387 G - H 819 -4077 D - E 514 -2595 H - I 664 -3368 E - F 879 -4422 I - J 677 -3290

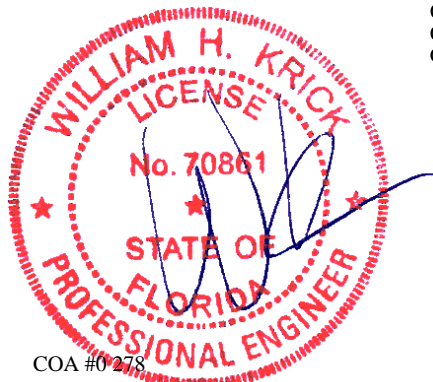
Lumber
 Top chord: 2x4 SP #2; T4 2x6 SP #2;
 T5 2x4 SP M-31;
 Bot chord: 2x6 SP #2; B2 2x6 SP 2400f-2.0E;
 Webs: 2x4 SP #3;

Special Loads
 -----(Lumber Dur.Fac.=1.25 / Plate Dur.Fac.=1.25)

TC: From 62 plf at -1.71 to 62 plf at 9.52	TC: From 31 plf at 9.52 to 31 plf at 15.92
TC: From 62 plf at 15.92 to 62 plf at 23.12	BC: From 4 plf at -1.71 to 4 plf at 0.00
BC: From 20 plf at 0.00 to 20 plf at 9.52	BC: From 10 plf at 9.52 to 10 plf at 15.89
BC: From 20 plf at 15.89 to 20 plf at 21.42	BC: From 4 plf at 21.42 to 4 plf at 23.12
TC: 146 lb Conc. Load at 10.52,11.85,13.85	TC: 180 lb Conc. Load at 15.89
BC: 853 lb Conc. Load at 9.52	BC: 103 lb Conc. Load at 10.52,11.85,13.85
BC: 300 lb Conc. Load at 15.89	

Wind
 Wind loads and reactions based on MWFRS.
 Left end vertical exposed to wind pressure. Deflection meets L/360.
 Wind loading based on both gable and hip roof types.

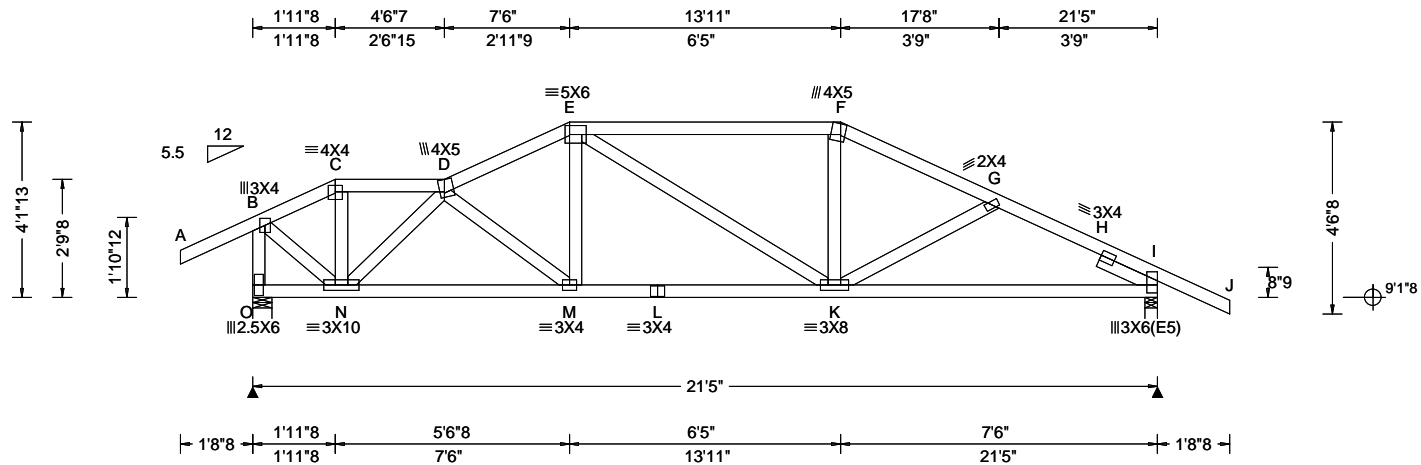
Additional Notes
 The overall height of this truss excluding overhang is 3-8-8.



COA #0278
 Florida Certificate of Product Approval #FL 1999

****WARNING** READ AND FOLLOW ALL NOTES ON THIS DRAWING!**
****IMPORTANT** FURNISH THIS DRAWING TO ALL CONTRACTORS INCLUDING THE INSTALLERS**
 Trusses require extreme care in fabricating, handling, shipping, installing and bracing. Refer to and follow the latest edition of BCSI (Building Component Safety Information, by TPI and SBCA) for safety practices prior to performing these functions. Installers shall provide temporary bracing per BCSI. Unless noted otherwise, top chord shall have properly attached structural sheathing and bottom chord shall have a properly attached rigid ceiling. Locations shown for permanent lateral restraint of webs shall have continuous lateral restraint (CLR), installed with diagonal bracing installed on the CLR per BCSI sections B3, B7, or B10, as applicable. Apply plates to each face of truss and position as shown above and on the Joint Details, unless noted otherwise. Refer to drawings 160A-Z for standard plate positions. Refer to job's General Notes page for additional information.
 Alpine, a division of ITW Building Components Group Inc. shall not be responsible for any deviation from this drawing, any failure to build the truss in conformance with ANSI/TPI 1, or for handling, shipping, installation and bracing of trusses. A seal on this drawing or cover page listing this drawing, indicates acceptance of professional engineering responsibility solely for the design shown. The suitability and use of this drawing for any structure is the responsibility of the Building Designer per ANSI/TPI 1 Sec.2.
 For more information see these web sites: Alpine: alpineitw.com; TPI: tpinst.org; SBCA: sbccomponents.com; ICC: iccsafe.org; AWC: awc.org





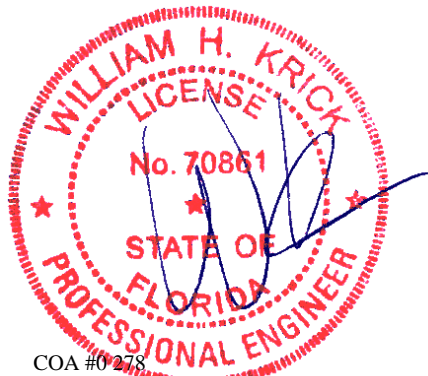
Loading Criteria (psf) TCLL: 20.00 TCDL: 10.00 BCLL: 0.00 BCDL: 10.00 Des Ld: 40.00 NCBCLL: 10.00 Soffit: 2.00 Load Duration: 1.25 Spacing: 24.0 "	Wind Criteria Wind Std: ASCE 7-22 Speed: 130 mph Enclosure: Enclosed Risk Category: II EXP: C Kzt: NA Mean Height: 15.00 ft TCDL: 5.0 psf BCDL: 5.0 psf MWFRS Parallel Dist: 0 to h/2 C&C Dist a: 3.00 ft Loc. from endwall: not in 9.00 ft GCpi: 0.18 Wind Duration: 1.60	Snow Criteria (Pg,Pf in PSF) Pg: NA Ct: NA CAT: NA Pf: NA Ce: NA Lu: NA Cs: NA Snow Duration: NA Building Code: FBC 8th Ed. 2023 Res. TPI Std: 2014 Rep Fac: Varies by Ld Case FT/RT:20(0)/10(0) Plate Type(s): WAVE	Defl/CSI Criteria PP Deflection in loc L/defl L/# VERT(LL): 0.045 K 999 360 VERT(CL): 0.089 K 999 240 HORZ(LL): 0.020 I - - HORZ(TL): 0.038 I - - Creep Factor: 2.0 Max TC CSI: 0.571 Max BC CSI: 0.590 Max Web CSI: 0.349 VIEW Ver: 24.02.00D.0114.10	▲ Maximum Reactions (lbs) Gravity Non-Gravity Loc R+ / R- / Rh / Rw / U / RL O 1116 /- /- /- /211 /- I 1004 /- /- /- /198 /- Wind reactions based on MWFRS O Brg Wid = 5.5 Min Req = 1.5 (Truss) I Brg Wid = 3.5 Min Req = 1.5 (Truss) Bearings O & I are a rigid surface. Members not listed have forces less than 375# Maximum Top Chord Forces Per Ply (lbs) Chords Tens.Comp. Chords Tens. Comp. B - C 134 -845 F - G 225 -1317 C - D 108 -739 G - H 281 -1454 D - E 228 -1319 H - I 314 -1571 E - F 192 -1176 Maximum Bot Chord Forces Per Ply (lbs) Chords Tens.Comp. Chords Tens. Comp. N - M 1293 -225 L - K 1183 -200 M - L 1183 -200 K - I 1270 -238 Maximum Web Forces Per Ply (lbs) Webs Tens.Comp. Webs Tens. Comp. B - O 211 -1102 N - D 167 -792 B - N 915 -136
--------------------------------------------------------------------------------------------------------------------------------------------------------------------------------------	--------------------------------------------------------------------------------------------------------------------------------------------------------------------------------------------------------------------------------------------------------------------------------------------------------------------------	------------------------------------------------------------------------------------------------------------------------------------------------------------------------------------------------------------------------------------------------------------------	-------------------------------------------------------------------------------------------------------------------------------------------------------------------------------------------------------------------------------------------------------------------------------------------------	-----------------------------------------------------------------------------------------------------------------------------------------------------------------------------------------------------------------------------------------------------------------------------------------------------------------------------------------------------------------------------------------------------------------------------------------------------------------------------------------------------------------------------------------------------------------------------------------------------------------------------------------------------------------------------------------------------------------------------------------------------------------------------------------------------------------------------------------------------------------------------------------

Lumber
Top chord: 2x4 SP #2;
Bot chord: 2x4 SP #2;
Webs: 2x4 SP #3;
Rt Slider: 2x4 SP #3; block length = 1.500'

Special Loads
-----(Lumber Dur.Fac.=1.25 / Plate Dur.Fac.=1.25)
TC: From 62 plf at -1.71 to 62 plf at 23.12
BC: From 4 plf at -1.71 to 4 plf at 0.00
BC: From 20 plf at 0.00 to 20 plf at 21.42
BC: From 4 plf at 21.42 to 4 plf at 23.12
TC: 54 lb Conc. Load at 1.99
BC: 83 lb Conc. Load at 1.99

Wind
Wind loads and reactions based on MWFRS.
Left end vertical not exposed to wind pressure.
Wind loading based on both gable and hip roof types.

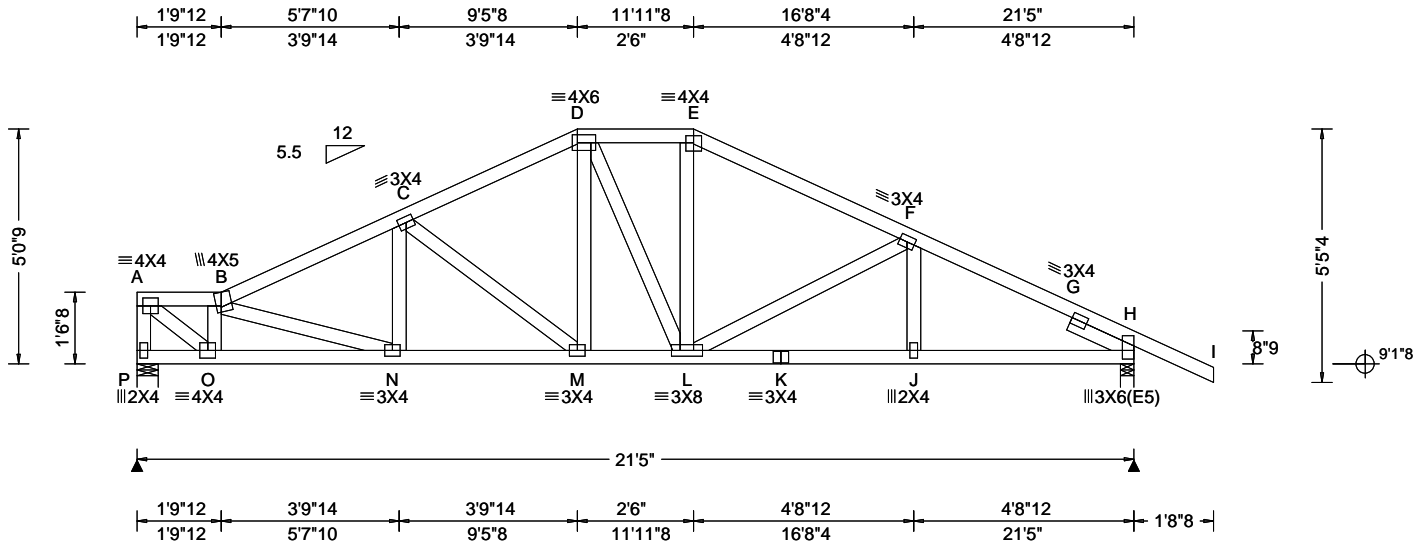
Additional Notes
The overall height of this truss excluding overhang is 4-1-13.



COA #0278
01/02/2026
Florida Certificate of Product Approval #FL 1999

****WARNING** READ AND FOLLOW ALL NOTES ON THIS DRAWING!**
****IMPORTANT** FURNISH THIS DRAWING TO ALL CONTRACTORS INCLUDING THE INSTALLERS**
Trusses require extreme care in fabricating, handling, shipping, installing and bracing. Refer to and follow the latest edition of BCSI (Building Component Safety Information, by TPI and SBCA) for safety practices prior to performing these functions. Installers shall provide temporary bracing per BCSI. Unless noted otherwise, top chord shall have properly attached structural sheathing and bottom chord shall have a properly attached rigid ceiling. Locations shown for permanent lateral restraint of webs shall have continuous lateral restraint (CLR), installed with diagonal bracing installed on the CLR per BCSI sections B3, B7, or B10, as applicable. Apply plates to each face of truss and position as shown above and on the Joint Details, unless noted otherwise. Refer to drawings 160A-Z for standard plate positions. Refer to job's General Notes page for additional information.
Alpine, a division of ITW Building Components Group Inc. shall not be responsible for any deviation from this drawing, any failure to build the truss in conformance with ANSI/TPI 1, or for handling, shipping, installation and bracing of trusses. A seal on this drawing or cover page listing this drawing, indicates acceptance of professional engineering responsibility solely for the design shown. The suitability and use of this drawing for any structure is the responsibility of the Building Designer per ANSI/TPI 1 Sec.2.
For more information see these web sites: Alpine: alpineitw.com; TPI: tpinst.org; SBCA: sbcacomponents.com; ICC: iccsafe.org; AWC: awc.org





Loading Criteria (psf) TCLL: 20.00 TCDL: 10.00 BCLL: 0.00 BCDL: 10.00 Des Ld: 40.00 NCBCLL: 10.00 Soffit: 2.00 Load Duration: 1.25 Spacing: 24.0 "	Wind Criteria Wind Std: ASCE 7-22 Speed: 130 mph Enclosure: Enclosed Risk Category: II EXP: C Kzt: NA Mean Height: 15.00 ft TCDL: 5.0 psf BCDL: 5.0 psf MWFRS Parallel Dist: 0 to h/2 C&C Dist a: 3.00 ft Loc. from endwall: not in 9.00 ft GCp: 0.18 Wind Duration: 1.60	Snow Criteria (Pg,Pf in PSF) Pg: NA Ct: NA CAT: NA Pf: NA Ce: NA Lu: NA Cs: NA Snow Duration: NA Building Code: FBC 8th Ed. 2023 Res. TPI Std: 2014 Rep Fac: Varies by Ld Case FT/RT:20(0)/10(0) Plate Type(s): WAVE	Defl/CSI Criteria PP Deflection in loc L/defl L/# VERT(LL): 0.046 M 999 360 VERT(CL): 0.092 M 999 240 HORZ(LL): 0.019 H - - HORZ(TL): 0.039 H - - Creep Factor: 2.0 Max TC CSI: 0.275 Max BC CSI: 0.406 Max Web CSI: 0.532 VIEW Ver: 24.02.00D.0114.10	▲ Maximum Reactions (lbs) Gravity Non-Gravity Loc R+ / R- / Rh / Rw / U / RL P 942 -/- /- /169 -/ H 1003 -/- /- /200 -/ Wind reactions based on MWFRS P Brg Wid = 5.5 Min Req = 1.5 (Truss) H Brg Wid = 3.5 Min Req = 1.5 (Truss) Bearings P & H are a rigid surface. Members not listed have forces less than 375# Maximum Top Chord Forces Per Ply (lbs) Chords Tens.Comp. Chords Tens. Comp. A - B 190 -1083 E - F 217 -1157 B - C 266 -1457 F - G 258 -1467 C - D 214 -1149 G - H 273 -1506 D - E 174 -1002 Maximum Bot Chord Forces Per Ply (lbs) Chords Tens.Comp. Chords Tens. Comp. O - N 1263 -230 L - K 1279 -221 N - M 1279 -229 K - J 1279 -221 M - L 995 -175 J - H 1283 -220 Maximum Web Forces Per Ply (lbs) Webs Tens.Comp. Webs Tens. Comp. A - P 170 -929 O - B 178 -791 A - O 1396 -244
--------------------------------------------------------------------------------------------------------------------------------------------------------------------------------------	-------------------------------------------------------------------------------------------------------------------------------------------------------------------------------------------------------------------------------------------------------------------------------------------------------------------------	------------------------------------------------------------------------------------------------------------------------------------------------------------------------------------------------------------------------------------------------------------------	-------------------------------------------------------------------------------------------------------------------------------------------------------------------------------------------------------------------------------------------------------------------------------------------------	------------------------------------------------------------------------------------------------------------------------------------------------------------------------------------------------------------------------------------------------------------------------------------------------------------------------------------------------------------------------------------------------------------------------------------------------------------------------------------------------------------------------------------------------------------------------------------------------------------------------------------------------------------------------------------------------------------------------------------------------------------------------------------------------------------------------------------------------------------------------------------------------------------------------

Lumber

Top chord: 2x4 SP #2;
Bot chord: 2x4 SP #2;
Webs: 2x4 SP #3;
Rt Slider: 2x4 SP #3; block length = 1.500'

Special Loads

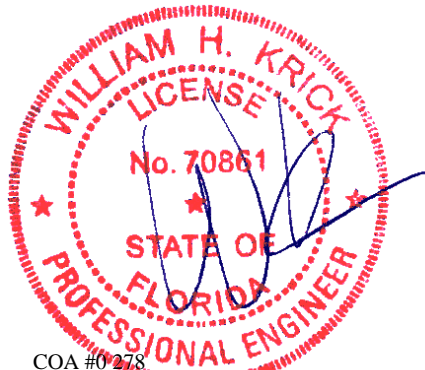
----- (Lumber Dur.Fac.=1.25 / Plate Dur.Fac.=1.25)
TC: From 62 plf at 0.00 to 62 plf at 23.12
BC: From 20 plf at 0.00 to 20 plf at 21.42
BC: From 4 plf at 21.42 to 4 plf at 23.12
BC: 75 lb Conc. Load at 2.02

Wind

Wind loads and reactions based on MWFRS.
Left end vertical not exposed to wind pressure.
Wind loading based on both gable and hip roof types.

Additional Notes

The overall height of this truss excluding overhang is 5'-0-9".

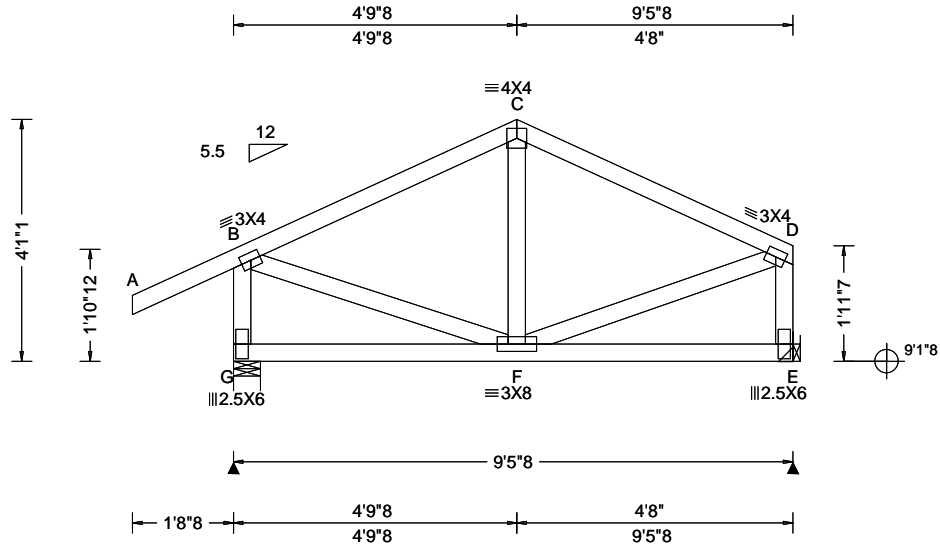


COA #0278

Florida Certificate of Product Approval #FL 1999

****WARNING** READ AND FOLLOW ALL NOTES ON THIS DRAWING!**
****IMPORTANT** FURNISH THIS DRAWING TO ALL CONTRACTORS INCLUDING THE INSTALLERS**
Trusses require extreme care in fabricating, handling, shipping, installing and bracing. Refer to and follow the latest edition of BCSI (Building Component Safety Information, by TPI and SBCA) for safety practices prior to performing these functions. Installers shall provide temporary bracing per BCSI. Unless noted otherwise, top chord shall have properly attached structural sheathing and bottom chord shall have a properly attached rigid ceiling. Locations shown for permanent lateral restraint of webs shall have continuous lateral restraint (CLR), installed with diagonal bracing installed on the CLR per BCSI sections B3, B7, or B10, as applicable. Apply plates to each face of truss and position as shown above and on the Joint Details, unless noted otherwise. Refer to drawings 160A-Z for standard plate positions. Refer to job's General Notes page for additional information.
Alpine, a division of ITW Building Components Group Inc. shall not be responsible for any deviation from this drawing, any failure to build the truss in conformance with ANSI/TPI 1, or for handling, shipping, installation and bracing of trusses. A seal on this drawing or cover page listing this drawing, indicates acceptance of professional engineering responsibility solely for the design shown. The suitability and use of this drawing for any structure is the responsibility of the Building Designer per ANSI/TPI 1 Sec.2.
For more information see these web sites: Alpine: alpineitw.com; TPI: tpinst.org; SBCA: sbccomponents.com; ICC: iccsafe.org; AWC: awc.org





Loading Criteria (psf) TCLL: 20.00 TCDL: 10.00 BCLL: 0.00 BCDL: 10.00 Des Ld: 40.00 NCBCLL: 10.00 Soffit: 2.00 Load Duration: 1.25 Spacing: 24.0 "	Wind Criteria Wind Std: ASCE 7-22 Speed: 130 mph Enclosure: Enclosed Risk Category: II EXP: C Kzt: NA Mean Height: 15.00 ft TCDL: 5.0 psf BCDL: 5.0 psf MWFRS Parallel Dist: 0 to h/2 C&C Dist a: 3.00 ft Loc. from endwall: not in 4.50 ft GCp: 0.18 Wind Duration: 1.60	Snow Criteria (Pg,Pf in PSF) Pg: NA Ct: NA CAT: NA Pf: NA Ce: NA Lu: NA Cs: NA Snow Duration: NA Building Code: FBC 8th Ed. 2023 Res. TPI Std: 2014 Rep Fac: Yes FT/RT:20(0)/10(0) Plate Type(s): WAVE	Defl/CSI Criteria PP Deflection in loc L/defl L/# VERT(LL): 0.004 C 999 360 VERT(CL): 0.008 C 999 240 HORZ(LL): -0.000 B - - HORZ(TL): 0.001 B - - Creep Factor: 2.0 Max TC CSI: 0.252 Max BC CSI: 0.196 Max Web CSI: 0.125 VIEW Ver: 24.02.00D.0114.10	▲ Maximum Reactions (lbs) Gravity Non-Gravity Loc R+ / R- / Rh / Rw / U / RL G 511 /- /- /237 /91 /116 E 378 /- /- /208 /73 /- Wind reactions based on MWFRS G Brg Wid = 5.5 Min Req = 1.5 (Truss) E Brg Wid = - Min Req = - Bearing G is a rigid surface. Members not listed have forces less than 375# Maximum Web Forces Per Ply (lbs) Webs Tens.Comp. B - G 330 -472
--------------------------------------------------------------------------------------------------------------------------------------------------------------------------------------	-------------------------------------------------------------------------------------------------------------------------------------------------------------------------------------------------------------------------------------------------------------------------------------------------------------------------	----------------------------------------------------------------------------------------------------------------------------------------------------------------------------------------------------------------------------------------------------	--------------------------------------------------------------------------------------------------------------------------------------------------------------------------------------------------------------------------------------------------------------------------------------------------	----------------------------------------------------------------------------------------------------------------------------------------------------------------------------------------------------------------------------------------------------------------------------------------------------------------------------------------------------------------------------------------------------------------------------

Lumber

Top chord: 2x4 SP #2;
Bot chord: 2x4 SP #2;
Webs: 2x4 SP #3;

Hangers / Ties

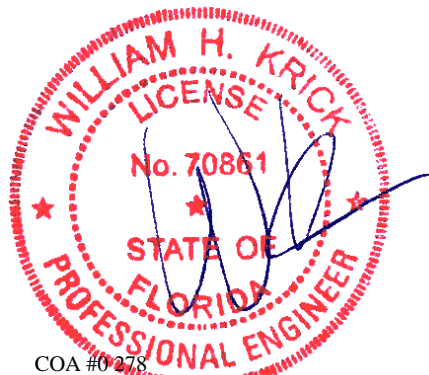
Hanger Support Required, by others

Wind

Wind loads based on MWFRS with additional C&C member design.
Left end vertical exposed to wind pressure. Deflection meets L/360.
Right end vertical not exposed to wind pressure.
Wind loading based on both gable and hip roof types.

Additional Notes

The overall height of this truss excluding overhang is 4-1-1.

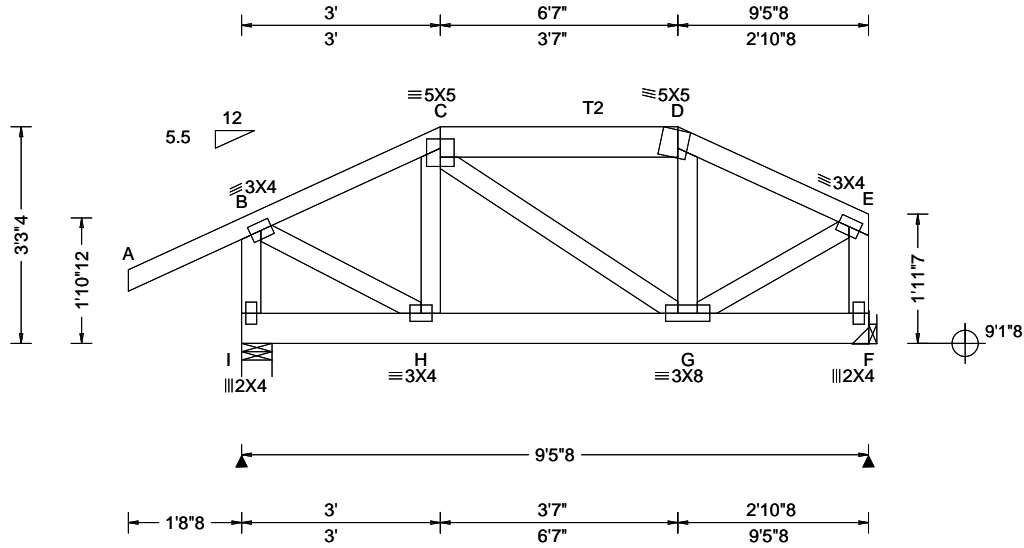


COA #0218

04/02/2026
Florida Certificate of Product Approval #FL 1999

****WARNING** READ AND FOLLOW ALL NOTES ON THIS DRAWING!**
****IMPORTANT** FURNISH THIS DRAWING TO ALL CONTRACTORS INCLUDING THE INSTALLERS**
Trusses require extreme care in fabricating, handling, shipping, installing and bracing. Refer to and follow the latest edition of BCSI (Building Component Safety Information, by TPI and SBCA) for safety practices prior to performing these functions. Installers shall provide temporary bracing per BCSI. Unless noted otherwise, top chord shall have properly attached structural sheathing and bottom chord shall have a properly attached rigid ceiling. Locations shown for permanent lateral restraint of webs shall have continuous lateral restraint (CLR), installed with diagonal bracing installed on the CLR per BCSI sections B3, B7, or B10, as applicable. Apply plates to each face of truss and position as shown above and on the Joint Details, unless noted otherwise. Refer to drawings 160A-Z for standard plate positions. Refer to job's General Notes page for additional information.
Alpine, a division of ITW Building Components Group Inc. shall not be responsible for any deviation from this drawing, any failure to build the truss in conformance with ANSI/TPI 1, or for handling, shipping, installation and bracing of trusses. A seal on this drawing or cover page listing this drawing, indicates acceptance of professional engineering responsibility solely for the design shown. The suitability and use of this drawing for any structure is the responsibility of the Building Designer per ANSI/TPI 1 Sec.2.
For more information see these web sites: Alpine: alpineitw.com; TPI: tpinst.org; SBCA: sbccomponents.com; ICC: iccsafe.org; AWC: awc.org





Loading Criteria (psf) TCLL: 20.00 TCDL: 10.00 BCLL: 0.00 BCDL: 10.00 Des Ld: 40.00 NCBCLL: 10.00 Soffit: 2.00 Load Duration: 1.25 Spacing: 24.0 "	Wind Criteria Wind Std: ASCE 7-22 Speed: 130 mph Enclosure: Enclosed Risk Category: II EXP: C Kzt: NA Mean Height: 15.00 ft TCDL: 5.0 psf BCDL: 5.0 psf MWFRS Parallel Dist: 0 to h/2 C&C Dist a: 3.00 ft Loc. from endwall: not in 4.50 ft GCpi: 0.18 Wind Duration: 1.60	Snow Criteria (Pg,Pf in PSF) Pg: NA Ct: NA CAT: NA Pf: NA Ce: NA Lu: NA Cs: NA Snow Duration: NA Building Code: FBC 8th Ed. 2023 Res. TPI Std: 2014 Rep Fac: Varies by Ld Case FT/RT:20(0)/10(0) Plate Type(s): WAVE	Defl/CSI Criteria PP Deflection in loc L/defl L/# VERT(LL): 0.005 D 999 360 VERT(CL): 0.010 D 999 240 HORZ(LL): 0.001 F - - HORZ(TL): 0.002 F - - Creep Factor: 2.0 Max TC CSI: 0.236 Max BC CSI: 0.151 Max Web CSI: 0.196 VIEW Ver: 24.02.00D.0114.10	▲ Maximum Reactions (lbs) Gravity Non-Gravity Loc R+ / R- / Rh / Rw / U / RL I 680 /- /- /- /57 /57 F 550 /- /- /- /15 /- Wind reactions based on MWFRS I Brg Wid = 5.5 Min Req = 1.5 (Truss) F Brg Wid = - Min Req = - Bearing I is a rigid surface. Members not listed have forces less than 375# Maximum Top Chord Forces Per Ply (lbs) Chords Tens.Comp. Chords Tens. Comp. B - C 13 -522 D - E 6 -526 C - D 0 -453
--------------------------------------------------------------------------------------------------------------------------------------------------------------------------------------	--------------------------------------------------------------------------------------------------------------------------------------------------------------------------------------------------------------------------------------------------------------------------------------------------------------------------	------------------------------------------------------------------------------------------------------------------------------------------------------------------------------------------------------------------------------------------------------------------	-------------------------------------------------------------------------------------------------------------------------------------------------------------------------------------------------------------------------------------------------------------------------------------------------	------------------------------------------------------------------------------------------------------------------------------------------------------------------------------------------------------------------------------------------------------------------------------------------------------------------------------------------------------------------------------------------------------------------------------------------------------------------------------

Lumber

Top chord: 2x4 SP #2; T2 2x6 SP #2;
Bot chord: 2x6 SP #2;
Webs: 2x4 SP #3;

Special Loads

----(Lumber Dur.Fac.=1.25 / Plate Dur.Fac.=1.25)
TC: From 62 plf at -1.71 to 62 plf at 3.00
TC: From 31 plf at 3.00 to 31 plf at 6.58
TC: From 62 plf at 6.58 to 62 plf at 9.46
BC: From 4 plf at -1.71 to 4 plf at 0.00
BC: From 20 plf at 0.00 to 20 plf at 3.03
BC: From 10 plf at 3.03 to 10 plf at 6.55
BC: From 20 plf at 6.55 to 20 plf at 9.46
TC: 62 lb Conc. Load at 3.03, 6.55
TC: 35 lb Conc. Load at 4.79
BC: 137 lb Conc. Load at 3.03, 6.55
BC: 54 lb Conc. Load at 4.79

Hangers / Ties

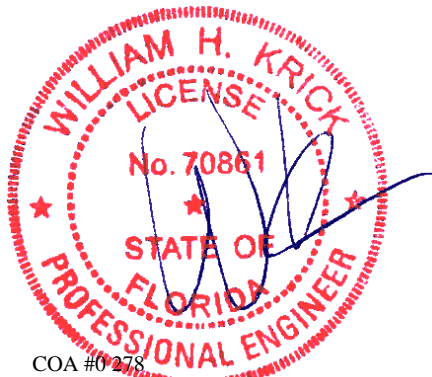
Hanger Support Required, by others

Wind

Wind loads and reactions based on MWFRS.
Left end vertical exposed to wind pressure. Deflection meets L/360.
Right end vertical not exposed to wind pressure.
Wind loading based on both gable and hip roof types.

Additional Notes

The overall height of this truss excluding overhang is 3-3-4.

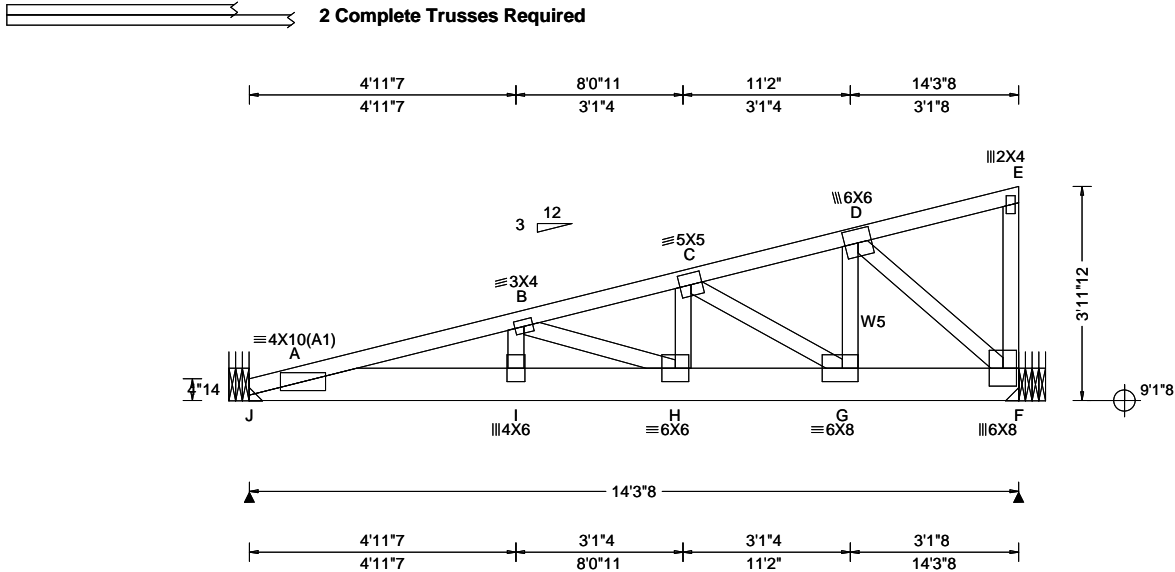


COA #0 278

Florida Certificate of Product Approval #FL 1999

****WARNING** READ AND FOLLOW ALL NOTES ON THIS DRAWING!**
****IMPORTANT** FURNISH THIS DRAWING TO ALL CONTRACTORS INCLUDING THE INSTALLERS**
Trusses require extreme care in fabricating, handling, shipping, installing and bracing. Refer to and follow the latest edition of BCSI (Building Component Safety Information, by TPI and SBCA) for safety practices prior to performing these functions. Installers shall provide temporary bracing per BCSI. Unless noted otherwise, top chord shall have properly attached structural sheathing and bottom chord shall have a properly attached rigid ceiling. Locations shown for permanent lateral restraint of webs shall have continuous lateral restraint (CLR), installed with diagonal bracing installed on the CLR per BCSI sections B3, B7, or B10, as applicable. Apply plates to each face of truss and position as shown above and on the Joint Details, unless noted otherwise. Refer to drawings 160A-Z for standard plate positions. Refer to job's General Notes page for additional information.
Alpine, a division of ITW Building Components Group Inc. shall not be responsible for any deviation from this drawing, any failure to build the truss in conformance with ANSI/TPI 1, or for handling, shipping, installation and bracing of trusses. A seal on this drawing or cover page listing this drawing, indicates acceptance of professional engineering responsibility solely for the design shown. The suitability and use of this drawing for any structure is the responsibility of the Building Designer per ANSI/TPI 1 Sec.2.
For more information see these web sites: Alpine: alpineitw.com; TPI: tpinst.org; SBCA: sbccomponents.com; ICC: iccsafe.org; AWC: awc.org





Loading Criteria (psf) TCLL: 20.00 TCDL: 10.00 BCLL: 0.00 BCDL: 10.00 Des Ld: 40.00 NCBCLL: 0.00 Soffit: 2.00 Load Duration: 1.25 Spacing: 24.0 "	Wind Criteria Wind Std: ASCE 7-22 Speed: 130 mph Enclosure: Enclosed Risk Category: II EXP: C Kzt: NA Mean Height: 15.00 ft TCDL: 5.0 psf BCDL: 5.0 psf MWFRS Parallel Dist: 0 to h/2 C&C Dist a: 3.00 ft Loc. from endwall: not in 9.00 ft GCp: 0.18 Wind Duration: 1.60	Snow Criteria (Pg,Pf in PSF) Pg: NA Ct: NA CAT: NA Pf: NA Ce: NA Lu: NA Cs: NA Snow Duration: NA Building Code: FBC 8th Ed. 2023 Res. TPI Std: 2014 Rep Fac: Varies by Ld Case FT/RT:20(0)/10(0) Plate Type(s): WAVE	Defl/CSI Criteria PP Deflection in loc L/defl L/# VERT(LL): 0.158 I 999 360 VERT(CL): 0.313 I 543 240 HORZ(LL): -0.048 E - - HORZ(TL): 0.095 E - - Creep Factor: 2.0 Max TC CSI: 0.863 Max BC CSI: 0.651 Max Web CSI: 0.916 VIEW Ver: 24.02.00D.0114.10	▲ Maximum Reactions (lbs) Gravity Loc R+ / R- / Rh / Rw / U / RL Non-Gravity Loc R+ / R- / Rh / Rw / U / RL J 5474 /- /- /- /539 /- F 5205 /- /- /- /354 /- Wind reactions based on MWFRS J Brg Wid = - Min Req = - F Brg Wid = - Min Req = - Members not listed have forces less than 375# Maximum Top Chord Forces Per Ply (lbs) Chords Tens.Comp. Chords Tens. Comp. A - B 467 -6410 C - D 180 -2718 B - C 334 -4927
-------------------------------------------------------------------------------------------------------------------------------------------------------------------------------------	-------------------------------------------------------------------------------------------------------------------------------------------------------------------------------------------------------------------------------------------------------------------------------------------------------------------------	------------------------------------------------------------------------------------------------------------------------------------------------------------------------------------------------------------------------------------------------------------------	--------------------------------------------------------------------------------------------------------------------------------------------------------------------------------------------------------------------------------------------------------------------------------------------------	---------------------------------------------------------------------------------------------------------------------------------------------------------------------------------------------------------------------------------------------------------------------------------------------------------------------------------------------------------------------------------------------------------------------------------------------------------------------------------

Lumber

Top chord: 2x4 SP #2;
Bot chord: 2x8 SP 2400f-2.0E;
Webs: 2x4 SP #3; W5 2x4 SP #2;

Nailnote

Nail Schedule: 0.128"x3", min. nails
Top Chord: 1 Row @ 12.00" o.c.
Bot Chord: 2 Rows @ 4.50" o.c. (Each Row)
Webs : 1 Row @ 4" o.c.
Use equal spacing between rows and stagger nails in each row to avoid splitting.

Special Loads

----- (Lumber Dur.Fac.=1.25 / Plate Dur.Fac.=1.25)
TC: From 61 plf at 0.00 to 61 plf at 14.29
BC: From 10 plf at 0.00 to 10 plf at 14.29
BC: 1536 lb Conc. Load at 0.92
BC: 1159 lb Conc. Load at 2.73, 4.73, 6.73, 8.73, 9.73
BC: 1170 lb Conc. Load at 11.73, 12.73

Hangers / Ties

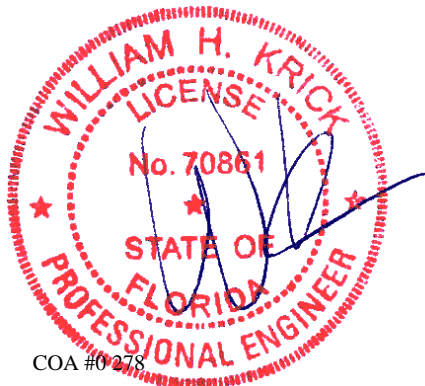
Hanger Support Required, by others

Wind

Wind loads and reactions based on MWFRS.
Right end vertical not exposed to wind pressure.
Wind loading based on both gable and hip roof types.

Additional Notes

The overall height of this truss excluding overhang is 3-11-12.

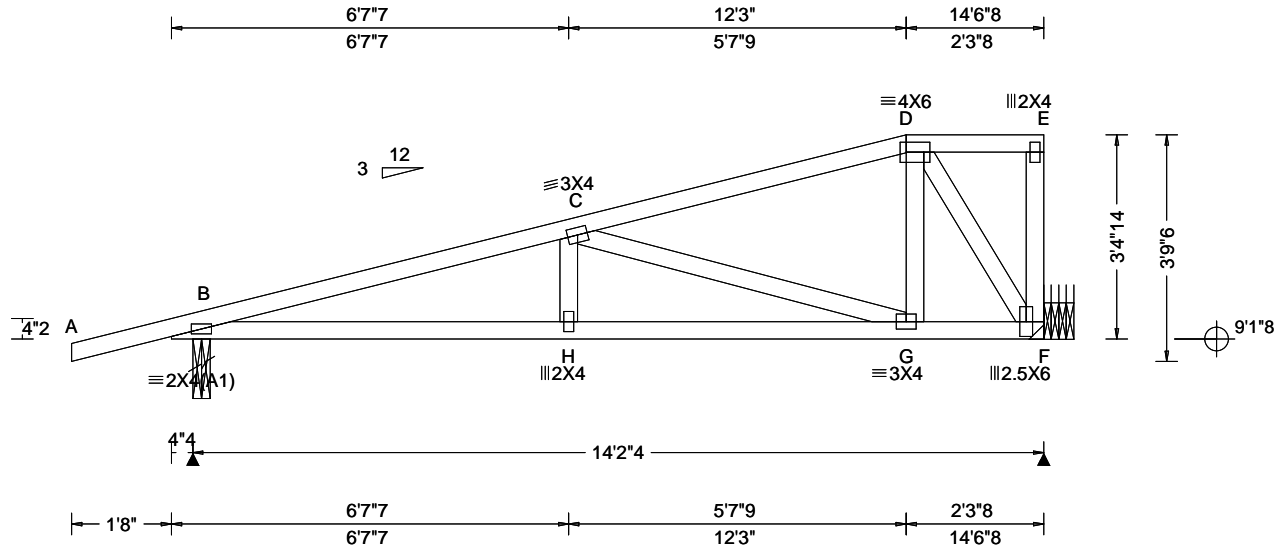


COA #0278

Florida Certificate of Product Approval #FL 1999

****WARNING** READ AND FOLLOW ALL NOTES ON THIS DRAWING!**
****IMPORTANT** FURNISH THIS DRAWING TO ALL CONTRACTORS INCLUDING THE INSTALLERS**
Trusses require extreme care in fabricating, handling, shipping, installing and bracing. Refer to and follow the latest edition of BCSI (Building Component Safety Information, by TPI and SBCA) for safety practices prior to performing these functions. Installers shall provide temporary bracing per BCSI. Unless noted otherwise, top chord shall have properly attached structural sheathing and bottom chord shall have a properly attached rigid ceiling. Locations shown for permanent lateral restraint of webs shall have continuous lateral restraint (CLR), installed with diagonal bracing installed on the CLR per BCSI sections B3, B7, or B10, as applicable. Apply plates to each face of truss and position as shown above and on the Joint Details, unless noted otherwise. Refer to drawings 160A-Z for standard plate positions. Refer to job's General Notes page for additional information.
Alpine, a division of ITW Building Components Group Inc. shall not be responsible for any deviation from this drawing, any failure to build the truss in conformance with ANSI/TPI 1, or for handling, shipping, installation and bracing of trusses. A seal on this drawing or cover page listing this drawing, indicates acceptance of professional engineering responsibility solely for the design shown. The suitability and use of this drawing for any structure is the responsibility of the Building Designer per ANSI/TPI 1 Sec.2.
For more information see these web sites: Alpine: alpineitw.com; TPI: tpinst.org; SBCA: sbcacomponents.com; ICC: iccsafe.org; AWC: awc.org





Loading Criteria (psf) TCCL: 20.00 TCCL: 10.00 BCCL: 0.00 BCDL: 10.00 Des Ld: 40.00 NCBCLL: 10.00 Soffit: 2.00 Load Duration: 1.25 Spacing: 24.0"	Wind Criteria Wind Std: ASCE 7-22 Speed: 130 mph Enclosure: Enclosed Risk Category: II EXP: C Kzt: NA Mean Height: 15.00 ft TCCL: 5.0 psf BCDL: 5.0 psf MWFRS Parallel Dist: h/2 to h C&C Dist a: 3.00 ft Loc. from endwall: not in 9.00 ft GCp: 0.18 Wind Duration: 1.60	Snow Criteria (Pg,Pf in PSF) Pg: NA Ct: NA CAT: NA Pf: NA Ce: NA Lu: NA Cs: NA Snow Duration: NA Building Code: FBC 8th Ed. 2023 Res. TPI Std: 2014 Rep Fac: Yes FT/RT:20(0)/10(0) Plate Type(s): WAVE	Defl/CSI Criteria PP Deflection in loc L/defl L/# VERT(LL): 0.050 H 999 360 VERT(CL): 0.098 H 999 240 HORZ(LL): 0.012 F - - HORZ(TL): 0.024 F - - Creep Factor: 2.0 Max TC CSI: 0.374 Max BC CSI: 0.412 Max Web CSI: 0.637 VIEW Ver: 24.02.00D.0114.10	▲ Maximum Reactions (lbs) <table border="1"> <thead> <tr> <th rowspan="2">Loc</th> <th colspan="3">Gravity</th> <th colspan="3">Non-Gravity</th> </tr> <tr> <th>R+</th> <th>/R-</th> <th>/Rh</th> <th>/Rw</th> <th>/U</th> <th>/RL</th> </tr> </thead> <tbody> <tr> <td>B</td> <td>718</td> <td>-</td> <td>-</td> <td>/337</td> <td>/135</td> <td>/120</td> </tr> <tr> <td>F</td> <td>562</td> <td>-</td> <td>-</td> <td>/296</td> <td>/117</td> <td>-</td> </tr> </tbody> </table>	Loc	Gravity			Non-Gravity			R+	/R-	/Rh	/Rw	/U	/RL	B	718	-	-	/337	/135	/120	F	562	-	-	/296	/117	-
				Loc		Gravity			Non-Gravity																						
R+	/R-	/Rh	/Rw		/U	/RL																									
B	718	-	-	/337	/135	/120																									
F	562	-	-	/296	/117	-																									
Wind reactions based on MWFRS B Brg Wid = 3.5 Min Req = 1.5 (Truss) F Brg Wid = - Min Req = - Bearing B is a rigid surface. Members not listed have forces less than 375# Maximum Top Chord Forces Per Ply (lbs) <table border="1"> <thead> <tr> <th>Chords</th> <th>Tens.Comp.</th> <th>Chords</th> <th>Tens. Comp.</th> </tr> </thead> <tbody> <tr> <td>B - C</td> <td>495 - 1321</td> <td>C - D</td> <td>171 - 421</td> </tr> </tbody> </table>				Chords	Tens.Comp.	Chords	Tens. Comp.	B - C	495 - 1321	C - D	171 - 421																				
Chords	Tens.Comp.	Chords	Tens. Comp.																												
B - C	495 - 1321	C - D	171 - 421																												

Lumber

Top chord: 2x4 SP #2;
 Bot chord: 2x4 SP #2;
 Webs: 2x4 SP #3;

Hangers / Ties

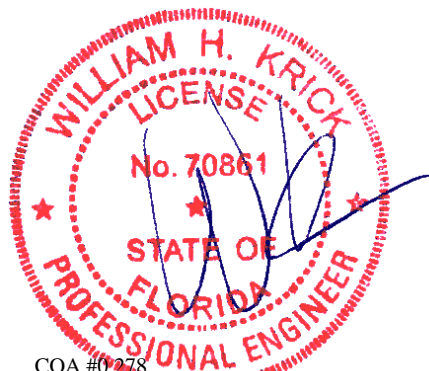
Hanger Support Required, by others

Wind

Wind loads based on MWFRS with additional C&C member design.
 Right end vertical not exposed to wind pressure.
 Left cantilever is exposed to wind
 Wind loading based on both gable and hip roof types.

Additional Notes

The overall height of this truss excluding overhang is 3-4-14.

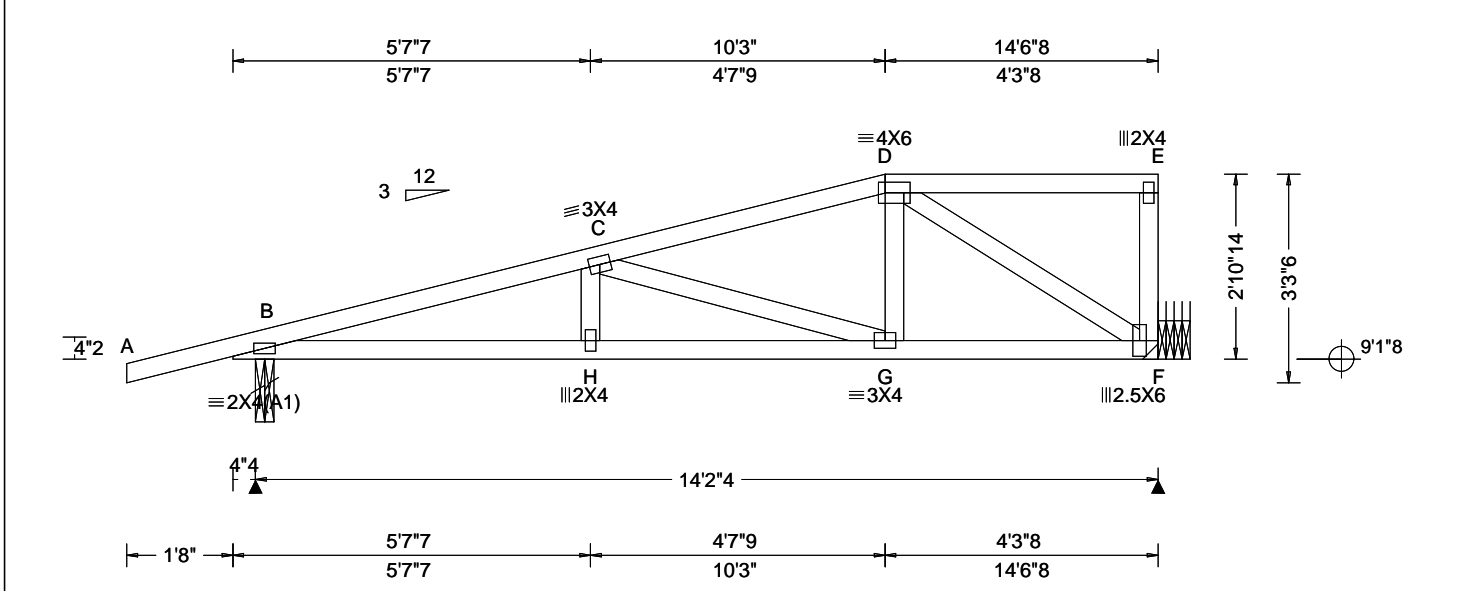


COA #0278

Florida Certificate of Product Approval #FL 1999

****WARNING** READ AND FOLLOW ALL NOTES ON THIS DRAWING!**
****IMPORTANT** FURNISH THIS DRAWING TO ALL CONTRACTORS INCLUDING THE INSTALLERS**
 Trusses require extreme care in fabricating, handling, shipping, installing and bracing. Refer to and follow the latest edition of BCSI (Building Component Safety Information, by TPI and SBCA) for safety practices prior to performing these functions. Installers shall provide temporary bracing per BCSI. Unless noted otherwise, top chord shall have properly attached structural sheathing and bottom chord shall have a properly attached rigid ceiling. Locations shown for permanent lateral restraint of webs shall have continuous lateral restraint (CLR), installed with diagonal bracing installed on the CLR per BCSI sections B3, B7, or B10, as applicable. Apply plates to each face of truss and position as shown above and on the Joint Details, unless noted otherwise. Refer to drawings 160A-Z for standard plate positions. Refer to job's General Notes page for additional information.
 Alpine, a division of ITW Building Components Group Inc. shall not be responsible for any deviation from this drawing, any failure to build the truss in conformance with ANSI/TPI 1, or for handling, shipping, installation and bracing of trusses. A seal on this drawing or cover page listing this drawing, indicates acceptance of professional engineering responsibility solely for the design shown. The suitability and use of this drawing for any structure is the responsibility of the Building Designer per ANSI/TPI 1 Sec.2.
 For more information see these web sites: Alpine: alpineitw.com; TPI: tpinst.org; SBCA: sbccomponents.com; ICC: iccsafe.org; AWC: awc.org





Loading Criteria (psf) TCLL: 20.00 TCDL: 10.00 BCLL: 0.00 BCDL: 10.00 Des Ld: 40.00 NCBCLL: 10.00 Soffit: 2.00 Load Duration: 1.25 Spacing: 24.0 "	Wind Criteria Wind Std: ASCE 7-22 Speed: 130 mph Enclosure: Enclosed Risk Category: II EXP: C Kzt: NA Mean Height: 15.00 ft TCDL: 5.0 psf BCDL: 5.0 psf MWFRS Parallel Dist: h/2 to h C&C Dist a: 3.00 ft Loc. from endwall: not in 9.00 ft GCp: 0.18 Wind Duration: 1.60	Snow Criteria (Pg,Pf in PSF) Pg: NA Ct: NA CAT: NA Pf: NA Ce: NA Lu: NA Cs: NA Snow Duration: NA Building Code: FBC 8th Ed. 2023 Res. TPI Std: 2014 Rep Fac: Yes FT/RT:20(0)/10(0) Plate Type(s): WAVE	Defl/CSI Criteria PP Deflection in loc L/defl L/# VERT(LL): 0.050 C 999 360 VERT(CL): 0.099 C 999 240 HORZ(LL): 0.013 F - - HORZ(TL): 0.025 F - - Creep Factor: 2.0 Max TC CSI: 0.325 Max BC CSI: 0.399 Max Web CSI: 0.333 VIEW Ver: 24.02.00D.0114.10	▲ Maximum Reactions (lbs) Gravity Non-Gravity Loc R+ / R- / Rh / Rw / U / RL B 718 /- /- /336 /140 /103 F 562 /- /- /295 /114 /- Wind reactions based on MWFRS B Brg Wid = 3.5 Min Req = 1.5 (Truss) F Brg Wid = - Min Req = - Bearing B is a rigid surface. Members not listed have forces less than 375# Maximum Top Chord Forces Per Ply (lbs) Chords Tens.Comp. Chords Tens. Comp. B - C 632 -1372 C - D 397 -715 Maximum Bot Chord Forces Per Ply (lbs) Chords Tens.Comp. Chords Tens. Comp. B - H 1296 -709 G - F 656 -413 H - G 1291 -714 Maximum Web Forces Per Ply (lbs) Webs Tens.Comp. Webs Tens. Comp. C - G 317 -668 D - F 473 -758
--------------------------------------------------------------------------------------------------------------------------------------------------------------------------------------	-------------------------------------------------------------------------------------------------------------------------------------------------------------------------------------------------------------------------------------------------------------------------------------------------------------------------	----------------------------------------------------------------------------------------------------------------------------------------------------------------------------------------------------------------------------------------------------	-------------------------------------------------------------------------------------------------------------------------------------------------------------------------------------------------------------------------------------------------------------------------------------------------	-----------------------------------------------------------------------------------------------------------------------------------------------------------------------------------------------------------------------------------------------------------------------------------------------------------------------------------------------------------------------------------------------------------------------------------------------------------------------------------------------------------------------------------------------------------------------------------------------------------------------------------------------------------------------------------------------------------------------------------------------

Lumber

Top chord: 2x4 SP #2;
Bot chord: 2x4 SP #2;
Webs: 2x4 SP #3;

Hangers / Ties

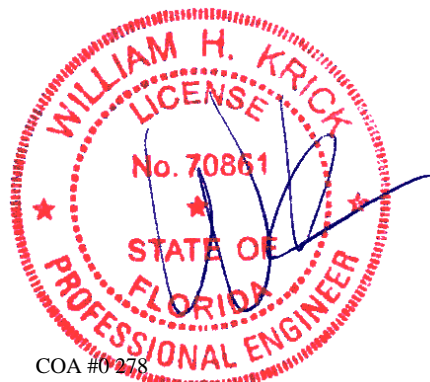
Hanger Support Required, by others

Wind

Wind loads based on MWFRS with additional C&C member design.
Right end vertical not exposed to wind pressure.
Left cantilever is exposed to wind
Wind loading based on both gable and hip roof types.

Additional Notes

The overall height of this truss excluding overhang is 2-10-14.

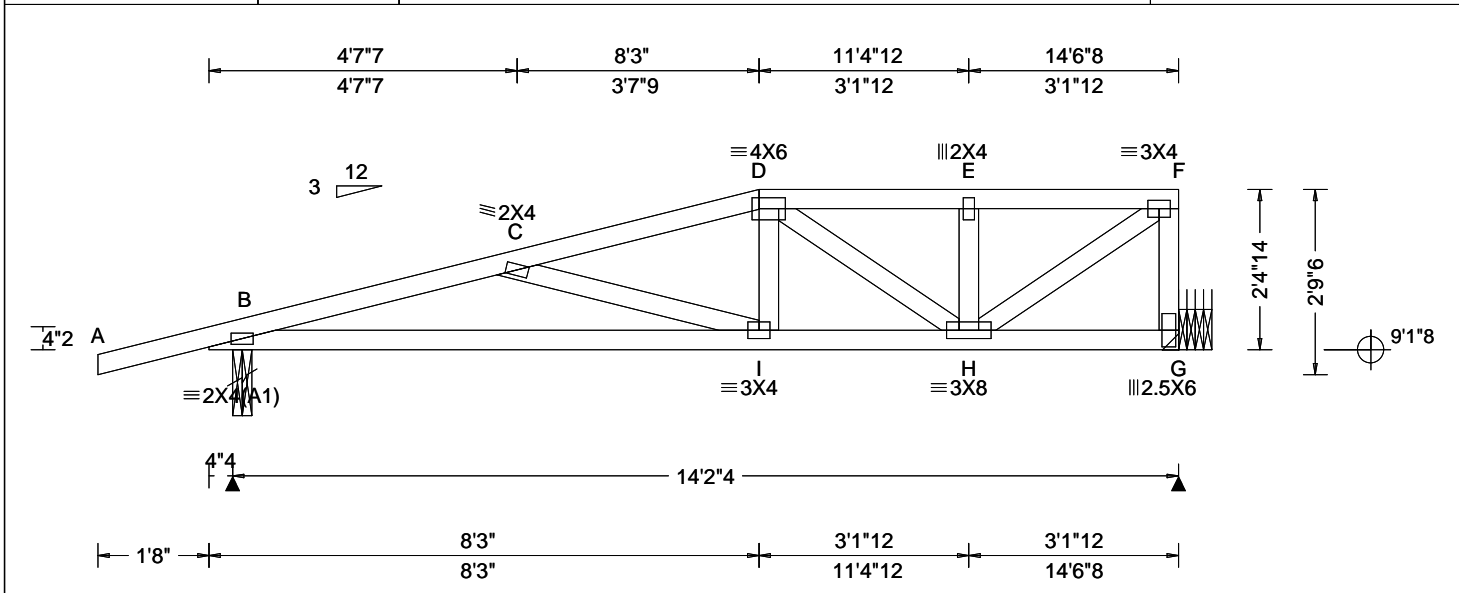


COA #0278

01/02/2026
Florida Certificate of Product Approval #FL 1999

****WARNING** READ AND FOLLOW ALL NOTES ON THIS DRAWING!**
****IMPORTANT** FURNISH THIS DRAWING TO ALL CONTRACTORS INCLUDING THE INSTALLERS**
Trusses require extreme care in fabricating, handling, shipping, installing and bracing. Refer to and follow the latest edition of BCSI (Building Component Safety Information, by TPI and SBCA) for safety practices prior to performing these functions. Installers shall provide temporary bracing per BCSI. Unless noted otherwise, top chord shall have properly attached structural sheathing and bottom chord shall have a properly attached rigid ceiling. Locations shown for permanent lateral restraint of webs shall have continuous lateral restraint (CLR), installed with diagonal bracing installed on the CLR per BCSI sections B3, B7, or B10, as applicable. Apply plates to each face of truss and position as shown above and on the Joint Details, unless noted otherwise. Refer to drawings 160A-Z for standard plate positions. Refer to job's General Notes page for additional information.
Alpine, a division of ITW Building Components Group Inc. shall not be responsible for any deviation from this drawing, any failure to build the truss in conformance with ANSI/TPI 1, or for handling, shipping, installation and bracing of trusses. A seal on this drawing or cover page listing this drawing, indicates acceptance of professional engineering responsibility solely for the design shown. The suitability and use of this drawing for any structure is the responsibility of the Building Designer per ANSI/TPI 1 Sec.2.
For more information see these web sites: Alpine: alpineitw.com; TPI: tpinst.org; SBCA: sbccomponents.com; ICC: iccsafe.org; AWC: awc.org





Loading Criteria (psf)	Wind Criteria	Snow Criteria (Pg, Pf in PSF)	Defl/CSI Criteria	▲ Maximum Reactions (lbs)						
				Gravity			Non-Gravity			
TCLL: 20.00	Wind Std: ASCE 7-22	Pg: NA Ct: NA CAT: NA	PP Deflection in loc L/defl L/#	Loc	R+	/R-	/Rh	/Rw	/U	/RL
TCDL: 10.00	Speed: 130 mph	Pf: NA Ce: NA	VERT(LL): 0.047 C 999 360	B	718	-	-	/336	/147	/85
BCLL: 0.00	Enclosure: Enclosed	Lu: NA Cs: NA	VERT(CL): 0.092 C 999 240	G	562	-	-	/294	/112	-
BCDL: 10.00	Risk Category: II	Snow Duration: NA	HORZ(LL): 0.011 G - -	Wind reactions based on MWFRS						
Des Ld: 40.00	EXP: C Kzt: NA	Building Code:	HORZ(TL): 0.021 G - -	B Brg Wid = 3.5 Min Req = 1.5 (Truss)						
NCBCLL: 10.00	Mean Height: 15.00 ft	FBC 8th Ed. 2023 Res.	Creep Factor: 2.0	G Brg Wid = - Min Req = -						
Soffit: 2.00	TCDL: 5.0 psf	TPI Std: 2014	Max TC CSI: 0.329	Bearing B is a rigid surface.						
Load Duration: 1.25	BCDL: 5.0 psf	Rep Fac: Yes	Max BC CSI: 0.549	Members not listed have forces less than 375#						
Spacing: 24.0 "	MWFRS Parallel Dist: h/2 to h	FT/RT:20(0)/10(0)	Max Web CSI: 0.306	Maximum Top Chord Forces Per Ply (lbs)						
	C&C Dist a: 3.00 ft	Plate Type(s):	VIEW Ver: 24.02.00D.0114.10	Chords	Tens.Comp.	Chords	Tens.Comp.			
	Loc. from endwall: not in 9.00 ft	WAVE		B - C	842	-1377	D - E	535	-672	
	GCp: 0.18			C - D	652	-1020	E - F	535	-672	
	Wind Duration: 1.60									

Lumber

Top chord: 2x4 SP #2;
Bot chord: 2x4 SP #2;
Webs: 2x4 SP #3;

Hangers / Ties

Hanger Support Required, by others

Wind

Wind loads based on MWFRS with additional C&C member design.
Right end vertical not exposed to wind pressure.
Left cantilever is exposed to wind
Wind loading based on both gable and hip roof types.

Additional Notes

The overall height of this truss excluding overhang is 2-4-14.

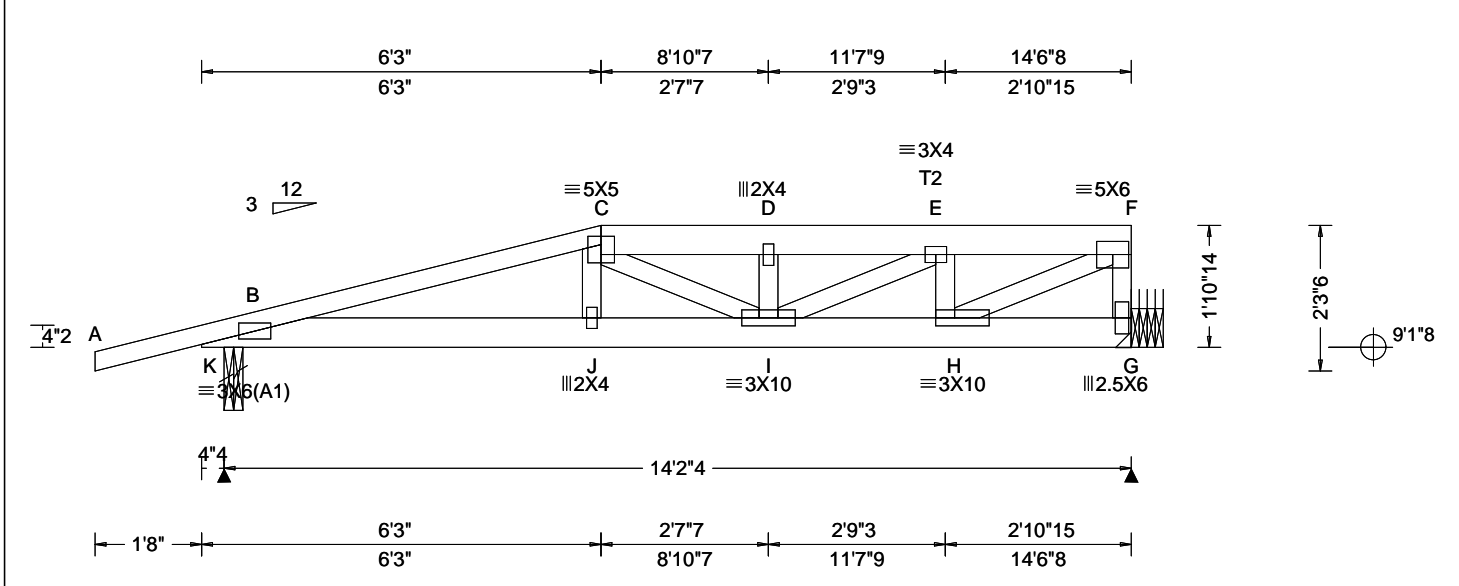


COA #0278

Florida Certificate of Product Approval #FL 1999

****WARNING** READ AND FOLLOW ALL NOTES ON THIS DRAWING!**
****IMPORTANT** FURNISH THIS DRAWING TO ALL CONTRACTORS INCLUDING THE INSTALLERS**
Trusses require extreme care in fabricating, handling, shipping, installing and bracing. Refer to and follow the latest edition of BCSI (Building Component Safety Information, by TPI and SBCA) for safety practices prior to performing these functions. Installers shall provide temporary bracing per BCSI. Unless noted otherwise, top chord shall have properly attached structural sheathing and bottom chord shall have a properly attached rigid ceiling. Locations shown for permanent lateral restraint of webs shall have continuous lateral restraint (CLR), installed with diagonal bracing installed on the CLR per BCSI sections B3, B7, or B10, as applicable. Apply plates to each face of truss and position as shown above and on the Joint Details, unless noted otherwise. Refer to drawings 160A-Z for standard plate positions. Refer to job's General Notes page for additional information.
Alpine, a division of ITW Building Components Group Inc. shall not be responsible for any deviation from this drawing, any failure to build the truss in conformance with ANSI/TPI 1, or for handling, shipping, installation and bracing of trusses. A seal on this drawing or cover page listing this drawing, indicates acceptance of professional engineering responsibility solely for the design shown. The suitability and use of this drawing for any structure is the responsibility of the Building Designer per ANSI/TPI 1 Sec.2.
For more information see these web sites: Alpine: alpineitw.com; TPI: tpinst.org; SBCA: sbccomponents.com; ICC: iccsafe.org; AWC: awc.org





Loading Criteria (psf) TCLL: 20.00 TCDL: 10.00 BCLL: 0.00 BCDL: 10.00 Des Ld: 40.00 NCBCLL: 10.00 Soffit: 2.00 Load Duration: 1.25 Spacing: 24.0 "	Wind Criteria Wind Std: ASCE 7-22 Speed: 130 mph Enclosure: Enclosed Risk Category: II EXP: C Kzt: NA Mean Height: 15.00 ft TCDL: 5.0 psf BCDL: 5.0 psf MWFRS Parallel Dist: 0 to h/2 C&C Dist a: 3.00 ft Loc. from endwall: not in 4.50 ft GCpi: 0.18 Wind Duration: 1.60	Snow Criteria (Pg,Pf in PSF) Pg: NA Ct: NA CAT: NA Pf: NA Ce: NA Lu: NA Cs: NA Snow Duration: NA Building Code: FBC 8th Ed. 2023 Res. TPI Std: 2014 Rep Fac: Varies by Ld Case FT/RT:20(0)/10(0) Plate Type(s): WAVE	Defl/CSI Criteria PP Deflection in loc L/defl L/# VERT(LL): 0.093 J 999 360 VERT(CL): 0.184 J 923 240 HORZ(LL): 0.016 G - - HORZ(TL): 0.031 G - - Creep Factor: 2.0 Max TC CSI: 0.483 Max BC CSI: 0.700 Max Web CSI: 0.800 VIEW Ver: 24.02.00D.0114.10	▲ Maximum Reactions (lbs) <table style="width:100%; border-collapse: collapse;"> <thead> <tr> <th rowspan="2">Loc</th> <th colspan="3">Gravity</th> <th colspan="3">Non-Gravity</th> </tr> <tr> <th>R+</th> <th>/R-</th> <th>/Rh</th> <th>/Rw</th> <th>/U</th> <th>/RL</th> </tr> </thead> <tbody> <tr> <td>K</td> <td>1148</td> <td>-</td> <td>-</td> <td>-</td> <td>/222</td> <td>-</td> </tr> <tr> <td>G</td> <td>1174</td> <td>-</td> <td>-</td> <td>-</td> <td>/205</td> <td>-</td> </tr> </tbody> </table> <p>Wind reactions based on MWFRS K Brg Wid = 3.5 Min Req = 1.5 (Truss) G Brg Wid = - Min Req = - Bearing K is a rigid surface. Members not listed have forces less than 375# Maximum Top Chord Forces Per Ply (lbs) <table style="width:100%; border-collapse: collapse;"> <thead> <tr> <th>Chords</th> <th>Tens.Comp.</th> <th>Chords</th> <th>Tens. Comp.</th> </tr> </thead> <tbody> <tr> <td>B - C</td> <td>492 -3032</td> <td>D - E</td> <td>481 -2891</td> </tr> <tr> <td>C - D</td> <td>482 -2893</td> <td>E - F</td> <td>315 -1869</td> </tr> </tbody> </table> Maximum Bot Chord Forces Per Ply (lbs) <table style="width:100%; border-collapse: collapse;"> <thead> <tr> <th>Chords</th> <th>Tens.Comp.</th> <th>Chords</th> <th>Tens. Comp.</th> </tr> </thead> <tbody> <tr> <td>B - J</td> <td>2915 -465</td> <td>I - H</td> <td>2034 -358</td> </tr> <tr> <td>J - I</td> <td>2883 -471</td> <td></td> <td></td> </tr> </tbody> </table> Maximum Web Forces Per Ply (lbs) <table style="width:100%; border-collapse: collapse;"> <thead> <tr> <th>Webs</th> <th>Tens.Comp.</th> <th>Webs</th> <th>Tens. Comp.</th> </tr> </thead> <tbody> <tr> <td>I - E</td> <td>979 -140</td> <td>H - F</td> <td>2100 -354</td> </tr> <tr> <td>E - H</td> <td>219 -836</td> <td>F - G</td> <td>211 -1105</td> </tr> </tbody> </table> </p>	Loc	Gravity			Non-Gravity			R+	/R-	/Rh	/Rw	/U	/RL	K	1148	-	-	-	/222	-	G	1174	-	-	-	/205	-	Chords	Tens.Comp.	Chords	Tens. Comp.	B - C	492 -3032	D - E	481 -2891	C - D	482 -2893	E - F	315 -1869	Chords	Tens.Comp.	Chords	Tens. Comp.	B - J	2915 -465	I - H	2034 -358	J - I	2883 -471			Webs	Tens.Comp.	Webs	Tens. Comp.	I - E	979 -140	H - F	2100 -354	E - H	219 -836	F - G	211 -1105
Loc	Gravity			Non-Gravity																																																															
	R+	/R-	/Rh	/Rw	/U	/RL																																																													
K	1148	-	-	-	/222	-																																																													
G	1174	-	-	-	/205	-																																																													
Chords	Tens.Comp.	Chords	Tens. Comp.																																																																
B - C	492 -3032	D - E	481 -2891																																																																
C - D	482 -2893	E - F	315 -1869																																																																
Chords	Tens.Comp.	Chords	Tens. Comp.																																																																
B - J	2915 -465	I - H	2034 -358																																																																
J - I	2883 -471																																																																		
Webs	Tens.Comp.	Webs	Tens. Comp.																																																																
I - E	979 -140	H - F	2100 -354																																																																
E - H	219 -836	F - G	211 -1105																																																																

Lumber

Top chord: 2x4 SP #2; T2 2x6 SP #2;
 Bot chord: 2x6 SP #2;
 Webs: 2x4 SP #3;

Special Loads

----(Lumber Dur.Fac.=1.25 / Plate Dur.Fac.=1.25)
 TC: From 61 plf at -1.67 to 61 plf at 6.25
 TC: From 30 plf at 6.25 to 30 plf at 12.37
 TC: From 61 plf at 12.37 to 61 plf at 14.54
 BC: From 4 plf at -1.67 to 4 plf at 0.00
 BC: From 20 plf at 0.00 to 20 plf at 6.31
 BC: From 10 plf at 6.31 to 10 plf at 12.37
 BC: From 20 plf at 12.37 to 20 plf at 14.54
 TC: 180 lb Conc. Load at 6.31
 TC: 150 lb Conc. Load at 8.37,10.37
 TC: 161 lb Conc. Load at 12.37
 BC: 326 lb Conc. Load at 6.31
 BC: 106 lb Conc. Load at 8.37,10.37
 BC: 110 lb Conc. Load at 12.37

Hangers / Ties

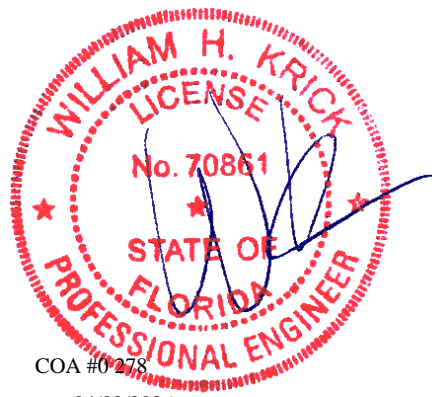
Hanger Support Required, by others

Wind

Wind loads and reactions based on MWFRS.
 Right end vertical not exposed to wind pressure.
 Left cantilever is exposed to wind
 Wind loading based on both gable and hip roof types.

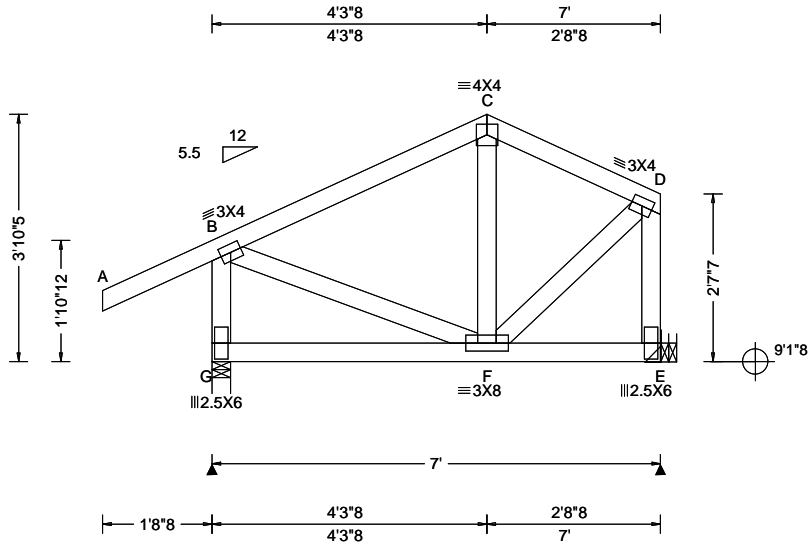
Additional Notes

The overall height of this truss excluding overhang is 1-10-14.



****WARNING** READ AND FOLLOW ALL NOTES ON THIS DRAWING!**
****IMPORTANT** FURNISH THIS DRAWING TO ALL CONTRACTORS INCLUDING THE INSTALLERS**
 Trusses require extreme care in fabricating, handling, shipping, installing and bracing. Refer to and follow the latest edition of BCSI (Building Component Safety Information, by TPI and SBCA) for safety practices prior to performing these functions. Installers shall provide temporary bracing per BCSI. Unless noted otherwise, top chord shall have properly attached structural sheathing and bottom chord shall have a properly attached rigid ceiling. Locations shown for permanent lateral restraint of webs shall have continuous lateral restraint (CLR), installed with diagonal bracing installed on the CLR per BCSI sections B3, B7, or B10, as applicable. Apply plates to each face of truss and position as shown above and on the Joint Details, unless noted otherwise. Refer to drawings 160A-Z for standard plate positions. Refer to job's General Notes page for additional information.
 Alpine, a division of ITW Building Components Group Inc. shall not be responsible for any deviation from this drawing, any failure to build the truss in conformance with ANSI/TPI 1, or for handling, shipping, installation and bracing of trusses. A seal on this drawing or cover page listing this drawing, indicates acceptance of professional engineering responsibility solely for the design shown. The suitability and use of this drawing for any structure is the responsibility of the Building Designer per ANSI/TPI 1 Sec.2.
 For more information see these web sites: Alpine: alpineitw.com; TPI: tpinst.org; SBCA: sbccomponents.com; ICC: iccsafe.org; AWC: awc.org





Loading Criteria (psf) TCLL: 20.00 TCDL: 10.00 BCLL: 0.00 BCDL: 10.00 Des Ld: 40.00 NCBCLL: 10.00 Soffit: 2.00 Load Duration: 1.25 Spacing: 24.0 "	Wind Criteria Wind Std: ASCE 7-22 Speed: 130 mph Enclosure: Enclosed Risk Category: II EXP: C Kzt: NA Mean Height: 15.00 ft TCDL: 5.0 psf BCDL: 5.0 psf MWFRS Parallel Dist: 0 to h/2 C&C Dist a: 3.00 ft Loc. from endwall: not in 4.50 ft GCp: 0.18 Wind Duration: 1.60	Snow Criteria (Pg,Pf in PSF) Pg: NA Ct: NA CAT: NA Pf: NA Ce: NA Lu: NA Cs: NA Snow Duration: NA Building Code: FBC 8th Ed. 2023 Res. TPI Std: 2014 Rep Fac: Yes FT/RT:20(0)/10(0) Plate Type(s): WAVE	Defl/CSI Criteria PP Deflection in loc L/defl L/# VERT(LL): 0.003 C 999 360 VERT(CL): 0.004 C 999 240 HORZ(LL): -0.001 C - - HORZ(TL): 0.001 B - - Creep Factor: 2.0 Max TC CSI: 0.229 Max BC CSI: 0.136 Max Web CSI: 0.121 VIEW Ver: 24.02.00D.0114.10	▲ Maximum Reactions (lbs) Gravity Non-Gravity Loc R+ / R- / Rh / Rw / U / RL G 414 /- /- /186 /64 /111 E 273 /- /- /157 /64 /- Wind reactions based on MWFRS G Brg Wid = 3.5 Min Req = 1.5 (Truss) E Brg Wid = - Min Req = - Bearing G is a rigid surface. Members not listed have forces less than 375# Maximum Web Forces Per Ply (lbs) Webs Tens.Comp. B - G 328 -377
--------------------------------------------------------------------------------------------------------------------------------------------------------------------------------------	-------------------------------------------------------------------------------------------------------------------------------------------------------------------------------------------------------------------------------------------------------------------------------------------------------------------------	----------------------------------------------------------------------------------------------------------------------------------------------------------------------------------------------------------------------------------------------------	--------------------------------------------------------------------------------------------------------------------------------------------------------------------------------------------------------------------------------------------------------------------------------------------------	----------------------------------------------------------------------------------------------------------------------------------------------------------------------------------------------------------------------------------------------------------------------------------------------------------------------------------------------------------------------------------------------------------------------------

Lumber

Top chord: 2x4 SP #2;
Bot chord: 2x4 SP #2;
Webs: 2x4 SP #3;

Hangers / Ties

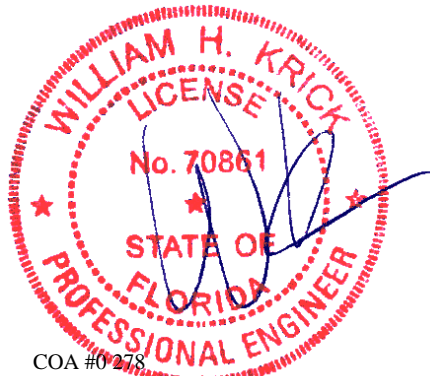
Hanger Support Required, by others

Wind

Wind loads based on MWFRS with additional C&C member design.
Left end vertical exposed to wind pressure. Deflection meets L/360.
Right end vertical not exposed to wind pressure.
Wind loading based on both gable and hip roof types.

Additional Notes

The overall height of this truss excluding overhang is 3-10-5.

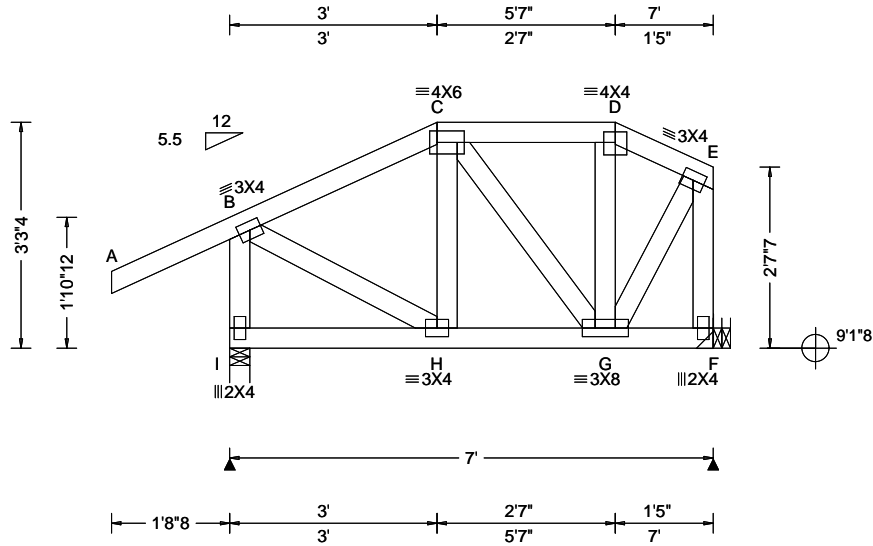


COA #0278

Florida Certificate of Product Approval #FL 1999

****WARNING** READ AND FOLLOW ALL NOTES ON THIS DRAWING!**
****IMPORTANT** FURNISH THIS DRAWING TO ALL CONTRACTORS INCLUDING THE INSTALLERS**
Trusses require extreme care in fabricating, handling, shipping, installing and bracing. Refer to and follow the latest edition of BCSI (Building Component Safety Information, by TPI and SBCA) for safety practices prior to performing these functions. Installers shall provide temporary bracing per BCSI. Unless noted otherwise, top chord shall have properly attached structural sheathing and bottom chord shall have a properly attached rigid ceiling. Locations shown for permanent lateral restraint of webs shall have continuous lateral restraint (CLR), installed with diagonal bracing installed on the CLR per BCSI sections B3, B7, or B10, as applicable. Apply plates to each face of truss and position as shown above and on the Joint Details, unless noted otherwise. Refer to drawings 160A-Z for standard plate positions. Refer to job's General Notes page for additional information.
Alpine, a division of ITW Building Components Group Inc. shall not be responsible for any deviation from this drawing, any failure to build the truss in conformance with ANSI/TPI 1, or for handling, shipping, installation and bracing of trusses. A seal on this drawing or cover page listing this drawing, indicates acceptance of professional engineering responsibility solely for the design shown. The suitability and use of this drawing for any structure is the responsibility of the Building Designer per ANSI/TPI 1 Sec.2.
For more information see these web sites: Alpine: alpineitw.com; TPI: tpinst.org; SBCA: sbccomponents.com; ICC: iccsafe.org; AWC: awc.org





Loading Criteria (psf) TCLL: 20.00 TCDL: 10.00 BCLL: 0.00 BCDL: 10.00 Des Ld: 40.00 NCBCLL: 10.00 Soffit: 2.00 Load Duration: 1.25 Spacing: 24.0 "	Wind Criteria Wind Std: ASCE 7-22 Speed: 130 mph Enclosure: Enclosed Risk Category: II EXP: C Kzt: NA Mean Height: 15.00 ft TCDL: 5.0 psf BCDL: 5.0 psf MWFRS Parallel Dist: 0 to h/2 C&C Dist a: 3.00 ft Loc. from endwall: not in 9.00 ft GCp: 0.18 Wind Duration: 1.60	Snow Criteria (Pg,Pf in PSF) Pg: NA Ct: NA CAT: NA Pf: NA Ce: NA Lu: NA Cs: NA Snow Duration: NA Building Code: FBC 8th Ed. 2023 Res. TPI Std: 2014 Rep Fac: Varies by Ld Case FT/RT:20(0)/10(0) Plate Type(s): WAVE	Defl/CSI Criteria PP Deflection in loc L/defl L/# VERT(LL): 0.006 H 999 360 VERT(CL): 0.006 H 999 240 HORZ(LL): 0.001 F - - HORZ(TL): 0.001 F - - Creep Factor: 2.0 Max TC CSI: 0.236 Max BC CSI: 0.103 Max Web CSI: 0.131 VIEW Ver: 24.02.00D.0114.10	▲ Maximum Reactions (lbs) <table style="width:100%; border-collapse: collapse;"> <thead> <tr> <th rowspan="2">Loc</th> <th colspan="3">Gravity</th> <th colspan="3">Non-Gravity</th> </tr> <tr> <th>R+</th> <th>/R-</th> <th>/Rh</th> <th>/Rw</th> <th>/U</th> <th>/RL</th> </tr> </thead> <tbody> <tr> <td>I</td> <td>553</td> <td>-</td> <td>-</td> <td>-</td> <td>/86</td> <td>/60</td> </tr> <tr> <td>F</td> <td>409</td> <td>-</td> <td>-</td> <td>-</td> <td>/55</td> <td>-</td> </tr> </tbody> </table> Wind reactions based on MWFRS I Brg Wid = 3.5 Min Req = 1.5 (Truss) F Brg Wid = - Min Req = - Bearing I is a rigid surface. Members not listed have forces less than 375# Maximum Top Chord Forces Per Ply (lbs) <table style="width:100%; border-collapse: collapse;"> <thead> <tr> <th>Chords</th> <th>Tens.Comp.</th> </tr> </thead> <tbody> <tr> <td>B - C</td> <td>51 -377</td> </tr> </tbody> </table>	Loc	Gravity			Non-Gravity			R+	/R-	/Rh	/Rw	/U	/RL	I	553	-	-	-	/86	/60	F	409	-	-	-	/55	-	Chords	Tens.Comp.	B - C	51 -377
Loc	Gravity			Non-Gravity																															
	R+	/R-	/Rh	/Rw	/U	/RL																													
I	553	-	-	-	/86	/60																													
F	409	-	-	-	/55	-																													
Chords	Tens.Comp.																																		
B - C	51 -377																																		

Lumber

Top chord: 2x4 SP #2;
 Bot chord: 2x4 SP #2;
 Webs: 2x4 SP #3;

Special Loads

----(Lumber Dur.Fac.=1.25 / Plate Dur.Fac.=1.25)
 TC: From 62 plf at -1.71 to 62 plf at 3.00
 TC: From 31 plf at 3.00 to 31 plf at 5.58
 TC: From 62 plf at 5.58 to 62 plf at 7.00
 BC: From 4 plf at -1.71 to 4 plf at 0.00
 BC: From 20 plf at 0.00 to 20 plf at 3.03
 BC: From 10 plf at 3.03 to 10 plf at 7.00
 TC: 111 lb Conc. Load at 3.03
 TC: 89 lb Conc. Load at 5.06
 BC: 136 lb Conc. Load at 3.03
 BC: 57 lb Conc. Load at 5.06

Hangers / Ties

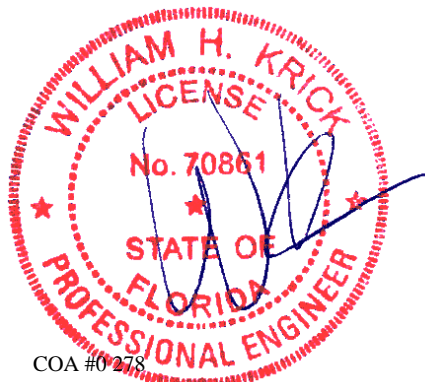
Hanger Support Required, by others

Wind

Wind loads and reactions based on MWFRS.
 Left end vertical exposed to wind pressure. Deflection meets L/360.
 Right end vertical not exposed to wind pressure.
 Wind loading based on both gable and hip roof types.

Additional Notes

The overall height of this truss excluding overhang is 3-3-4.



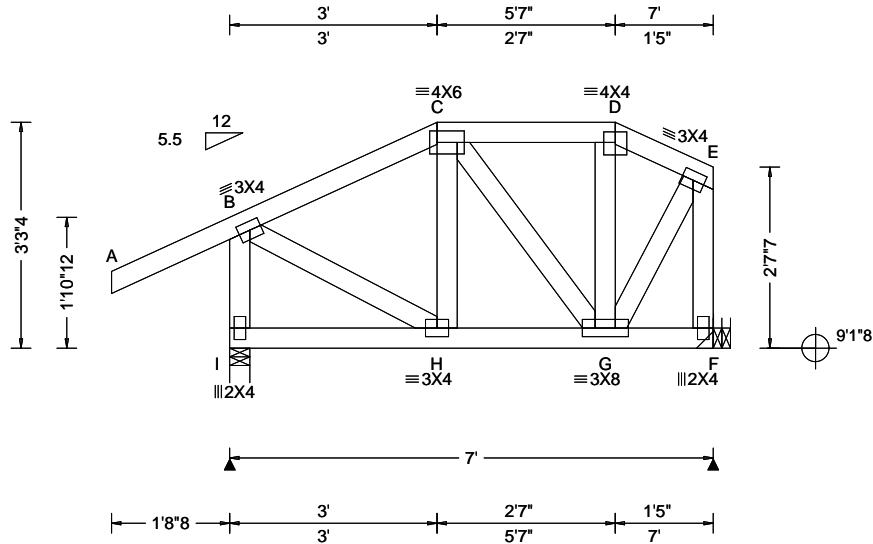
COA #0278

Florida Certificate of Product Approval #FL 1999

****WARNING**** READ AND FOLLOW ALL NOTES ON THIS DRAWING!
****IMPORTANT**** FURNISH THIS DRAWING TO ALL CONTRACTORS INCLUDING THE INSTALLERS
 Trusses require extreme care in fabricating, handling, shipping, installing and bracing. Refer to and follow the latest edition of BCSI (Building Component Safety Information, by TPI and SBCA) for safety practices prior to performing these functions. Installers shall provide temporary bracing per BCSI. Unless noted otherwise, top chord shall have properly attached structural sheathing and bottom chord shall have a properly attached rigid ceiling. Locations shown for permanent lateral restraint of webs shall have continuous lateral restraint (CLR), installed with diagonal bracing installed on the CLR per BCSI sections B3, B7, or B10, as applicable. Apply plates to each face of truss and position as shown above and on the Joint Details, unless noted otherwise. Refer to drawings 160A-Z for standard plate positions. Refer to job's General Notes page for additional information.
 Alpine, a division of ITW Building Components Group Inc. shall not be responsible for any deviation from this drawing, any failure to build the truss in conformance with ANSI/TPI 1, or for handling, shipping, installation and bracing of trusses. A seal on this drawing or cover page listing this drawing, indicates acceptance of professional engineering responsibility solely for the design shown. The suitability and use of this drawing for any structure is the responsibility of the Building Designer per ANSI/TPI 1 Sec.2.
 For more information see these web sites: Alpine: alpineitw.com; TPI: tpinst.org; SBCA: sbccomponents.com; ICC: iccsafe.org; AWC: awc.org



SEQN: 734275 / FROM: RFG	HIPS Ply: 1 Qty: 1	Job Number: 26-3626 OXLEY Truss Label: N3	Cust: R215 JRef: 1YIW2150006 T45 DrwNo: 090.26.1043.40205 KD / WHK 03/31/2026
-----------------------------	--------------------------	-------------------------------------------------	-------------------------------------------------------------------------------------



Loading Criteria (psf) TCLL: 20.00 TCCL: 10.00 BCLL: 0.00 BCDL: 10.00 Des Ld: 40.00 NCBCLL: 10.00 Soffit: 2.00 Load Duration: 1.25 Spacing: 24.0 "	Wind Criteria Wind Std: ASCE 7-22 Speed: 130 mph Enclosure: Enclosed Risk Category: II EXP: C Kzt: NA Mean Height: 15.00 ft TCCL: 5.0 psf BCDL: 5.0 psf MWFRS Parallel Dist: 0 to h/2 C&C Dist a: 3.00 ft Loc. from endwall: not in 4.50 ft GCp: 0.18 Wind Duration: 1.60	Snow Criteria (Pg,Pf in PSF) Pg: NA Ct: NA CAT: NA Pf: NA Ce: NA Lu: NA Cs: NA Snow Duration: NA Building Code: FBC 8th Ed. 2023 Res. TPI Std: 2014 Rep Fac: Varies by Ld Case FT/RT:20(0)/10(0) Plate Type(s): WAVE	Defl/CSI Criteria PP Deflection in loc L/defl L/# VERT(LL): 0.003 H 999 360 VERT(CL): 0.006 H 999 240 HORZ(LL): 0.001 F - - HORZ(TL): 0.001 F - - Creep Factor: 2.0 Max TC CSI: 0.236 Max BC CSI: 0.127 Max Web CSI: 0.126 VIEW Ver: 24.02.00D.0114.10	▲ Maximum Reactions (lbs) Gravity Non-Gravity Loc R+ / R- / Rh / Rw / U / RL I 531 /- /- /- /53 /60 F 399 /- /- /4 /- /- Wind reactions based on MWFRS I Brg Wid = 3.5 Min Req = 1.5 (Truss) F Brg Wid = - Min Req = - Bearing I is a rigid surface. Members not listed have forces less than 375# Maximum Web Forces Per Ply (lbs) Webs Tens.Comp. Webs Tens. Comp. B - I 66 -506 E - F 0 -395

Lumber

Top chord: 2x4 SP #2;
 Bot chord: 2x4 SP #2;
 Webs: 2x4 SP #3;

Special Loads

----(Lumber Dur.Fac.=1.25 / Plate Dur.Fac.=1.25)

- TC: From 62 plf at -1.71 to 62 plf at 3.00
- TC: From 31 plf at 3.00 to 31 plf at 5.58
- TC: From 62 plf at 5.58 to 62 plf at 7.00
- BC: From 4 plf at -1.71 to 4 plf at 0.00
- BC: From 20 plf at 0.00 to 20 plf at 3.03
- BC: From 10 plf at 3.03 to 10 plf at 7.00
- TC: 60 lb Conc. Load at 3.03
- TC: 31 lb Conc. Load at 4.40, 5.52
- BC: 134 lb Conc. Load at 3.03
- BC: 53 lb Conc. Load at 4.40, 5.52

Hangers / Ties

Hanger Support Required, by others

Wind

Wind loads and reactions based on MWFRS.
 Left end vertical exposed to wind pressure. Deflection meets L/360.
 Right end vertical not exposed to wind pressure.
 Wind loading based on both gable and hip roof types.

Additional Notes

The overall height of this truss excluding overhang is 3-3-4.

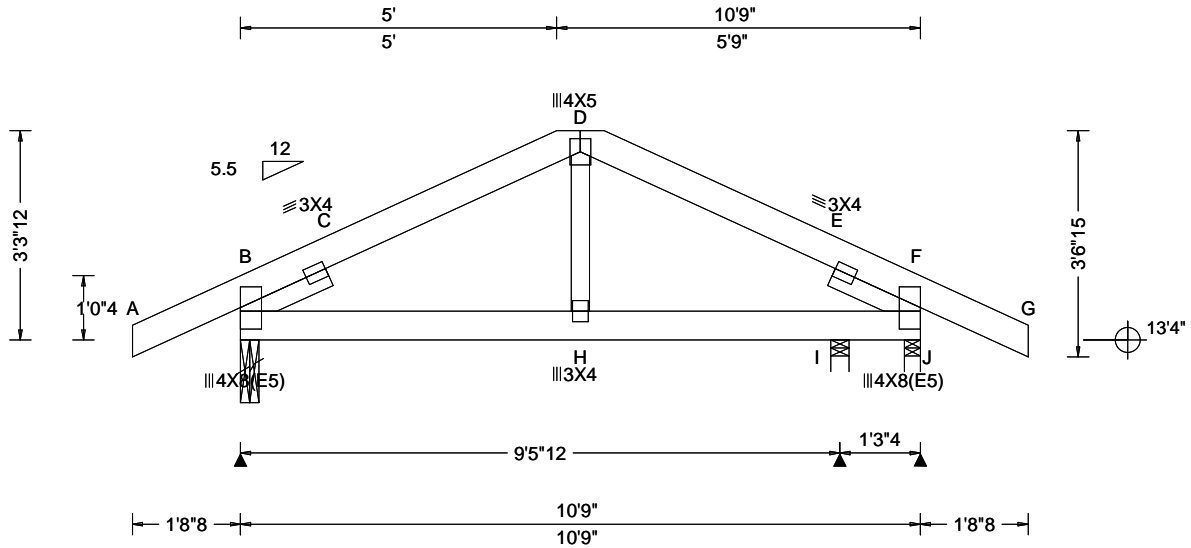


COA #0278

01/03/2023 Florida Certificate of Product Approval #FL 1999

****WARNING** READ AND FOLLOW ALL NOTES ON THIS DRAWING!**
****IMPORTANT** FURNISH THIS DRAWING TO ALL CONTRACTORS INCLUDING THE INSTALLERS**
 Trusses require extreme care in fabricating, handling, shipping, installing and bracing. Refer to and follow the latest edition of BCSI (Building Component Safety Information, by TPI and SBCA) for safety practices prior to performing these functions. Installers shall provide temporary bracing per BCSI. Unless noted otherwise, top chord shall have properly attached structural sheathing and bottom chord shall have a properly attached rigid ceiling. Locations shown for permanent lateral restraint of webs shall have continuous lateral restraint (CLR), installed with diagonal bracing installed on the CLR per BCSI sections B3, B7, or B10, as applicable. Apply plates to each face of truss and position as shown above and on the Joint Details, unless noted otherwise. Refer to drawings 160A-Z for standard plate positions. Refer to job's General Notes page for additional information.
 Alpine, a division of ITW Building Components Group Inc. shall not be responsible for any deviation from this drawing, any failure to build the truss in conformance with ANSI/TPI 1, or for handling, shipping, installation and bracing of trusses. A seal on this drawing or cover page listing this drawing, indicates acceptance of professional engineering responsibility solely for the design shown. The suitability and use of this drawing for any structure is the responsibility of the Building Designer per ANSI/TPI 1 Sec.2.
 For more information see these web sites: Alpine: alpineitw.com; TPI: tpinst.org; SBCA: sbccomponents.com; ICC: iccsafe.org; AWC: awc.org





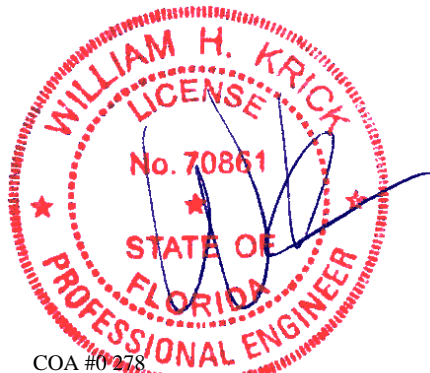
Loading Criteria (psf) TCLL: 20.00 TCDL: 10.00 BCLL: 0.00 BCDL: 10.00 Des Ld: 40.00 NCBCLL: 10.00 Soffit: 2.00 Load Duration: 1.25 Spacing: 24.0 "	Wind Criteria Wind Std: ASCE 7-22 Speed: 130 mph Enclosure: Enclosed Risk Category: II EXP: C Kzt: NA Mean Height: 15.11 ft TCDL: 5.0 psf BCDL: 5.0 psf MWFRS Parallel Dist: 0 to h/2 C&C Dist a: 3.00 ft Loc. from endwall: not in 4.50 ft GCp: 0.18 Wind Duration: 1.60	Snow Criteria (Pg,Pf in PSF) Pg: NA Ct: NA CAT: NA Pf: NA Ce: NA Lu: NA Cs: NA Snow Duration: NA Building Code: FBC 8th Ed. 2023 Res. TPI Std: 2014 Rep Fac: Varies by Ld Case FT/RT:20(0)/10(0) Plate Type(s): WAVE	Defl/CSI Criteria PP Deflection in loc L/defl L/# VERT(LL): 0.016 H 999 360 VERT(CL): 0.032 H 999 240 HORZ(LL): 0.006 F - - HORZ(TL): 0.013 F - - Creep Factor: 2.0 Max TC CSI: 0.142 Max BC CSI: 0.296 Max Web CSI: 0.201 VIEW Ver: 24.02.00D.0114.10	▲ Maximum Reactions (lbs) Gravity Loc R+ / R- / Rh / Rw / U / RL B 990 /- /- /- /110 /- I 92 /-3 /- /28 /- /- J 992 /- /- /- /131 /- Non-Gravity Wind reactions based on MWFRS B Brg Wid = 3.5 Min Req = 1.5 (Truss) I Brg Wid = 3.5 Min Req = 1.5 (Truss) J Brg Wid = 3.0 Min Req = 1.5 (Truss) Bearings B, I, & J are a rigid surface. Members not listed have forces less than 375# Maximum Top Chord Forces Per Ply (lbs) Chords Tens.Comp. Chords Tens. Comp. B - C 111 -1371 D - E 69 -1337 C - D 69 -1333 E - F 84 -1376 Maximum Bot Chord Forces Per Ply (lbs) Chords Tens.Comp. Chords Tens. Comp. B - H 1154 -51 H - F 2302 -98 Maximum Web Forces Per Ply (lbs) Webs Tens.Comp. D - H 528 0
--------------------------------------------------------------------------------------------------------------------------------------------------------------------------------------	-------------------------------------------------------------------------------------------------------------------------------------------------------------------------------------------------------------------------------------------------------------------------------------------------------------------------	------------------------------------------------------------------------------------------------------------------------------------------------------------------------------------------------------------------------------------------------------------------	-------------------------------------------------------------------------------------------------------------------------------------------------------------------------------------------------------------------------------------------------------------------------------------------------	--------------------------------------------------------------------------------------------------------------------------------------------------------------------------------------------------------------------------------------------------------------------------------------------------------------------------------------------------------------------------------------------------------------------------------------------------------------------------------------------------------------------------------------------------------------------------------------------------------------------------------------------------------------------------------------------------------------------------------------------------------------------------------------------------------------

Lumber
Top chord: 2x6 SP #2;
Bot chord: 2x6 SP #2;
Webs: 2x4 SP #3;
Lt Slider: 2x4 SP #3; block length = 1.500'
Rt Slider: 2x4 SP #3; block length = 1.500'

Special Loads
-----(Lumber Dur.Fac.=1.25 / Plate Dur.Fac.=1.25)
TC: From 62 plf at -1.71 to 62 plf at 12.46
BC: From 4 plf at -1.71 to 4 plf at 0.00
BC: From 20 plf at 0.00 to 20 plf at 5.04
BC: From 10 plf at 5.04 to 10 plf at 5.71
BC: From 20 plf at 5.71 to 20 plf at 10.75
BC: From 4 plf at 10.75 to 4 plf at 12.46
TC: 169 lb Conc. Load at 5.04, 5.71
BC: 270 lb Conc. Load at 5.04, 5.71

Wind
Wind loads and reactions based on MWFRS.
Wind loading based on both gable and hip roof types.

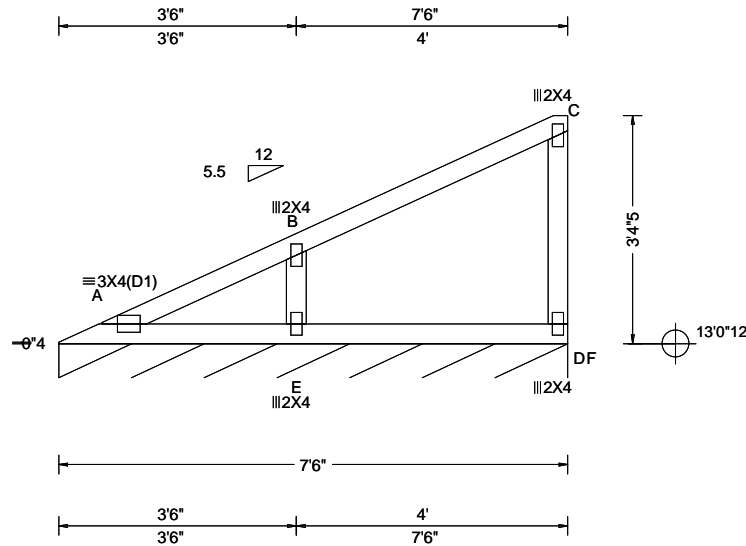
Additional Notes
The overall height of this truss excluding overhang is 3-3-12.



COA #0278
01/02/2026
Florida Certificate of Product Approval #FL 1999

****WARNING** READ AND FOLLOW ALL NOTES ON THIS DRAWING!**
****IMPORTANT** FURNISH THIS DRAWING TO ALL CONTRACTORS INCLUDING THE INSTALLERS**
Trusses require extreme care in fabricating, handling, shipping, installing and bracing. Refer to and follow the latest edition of BCSI (Building Component Safety Information, by TPI and SBCA) for safety practices prior to performing these functions. Installers shall provide temporary bracing per BCSI. Unless noted otherwise, top chord shall have properly attached structural sheathing and bottom chord shall have a properly attached rigid ceiling. Locations shown for permanent lateral restraint of webs shall have continuous lateral restraint (CLR), installed with diagonal bracing installed on the CLR per BCSI sections B3, B7, or B10, as applicable. Apply plates to each face of truss and position as shown above and on the Joint Details, unless noted otherwise. Refer to drawings 160A-Z for standard plate positions. Refer to job's General Notes page for additional information.
Alpine, a division of ITW Building Components Group Inc. shall not be responsible for any deviation from this drawing, any failure to build the truss in conformance with ANSI/TPI 1, or for handling, shipping, installation and bracing of trusses. A seal on this drawing or cover page listing this drawing, indicates acceptance of professional engineering responsibility solely for the design shown. The suitability and use of this drawing for any structure is the responsibility of the Building Designer per ANSI/TPI 1 Sec.2.
For more information see these web sites: Alpine: alpineitw.com; TPI: tpinst.org; SBCA: sbccomponents.com; ICC: iccsafe.org; AWC: awc.org





Loading Criteria (psf)	Wind Criteria	Snow Criteria (Pg,Pf in PSF)	Defl/CSI Criteria	▲ Maximum Reactions (lbs), or *=PLF
TCLL: 20.00 TCDL: 10.00 BCLL: 0.00 BCDL: 10.00 Des Ld: 40.00 NCBCLL: 10.00 Soffit: 2.00 Load Duration: 1.25 Spacing: 24.0 "	Wind Std: ASCE 7-22 Speed: 130 mph Enclosure: Enclosed Risk Category: II EXP: C Kzt: NA Mean Height: 15.00 ft TCDL: 5.0 psf BCDL: 5.0 psf MWFRS Parallel Dist: h to 2h C&C Dist a: 3.00 ft Loc. from endwall: not in 9.00 ft GCp: 0.18 Wind Duration: 1.60	Pg: NA Ct: NA CAT: NA Pf: NA Ce: NA Lu: NA Cs: NA Snow Duration: NA Building Code: FBC 8th Ed. 2023 Res. TPI Std: 2014 Rep Fac: Yes FT/RT:20(0)/10(0) Plate Type(s): WAVE	PP Deflection in loc L/defl L/# VERT(LL): 0.005 A 999 360 VERT(CL): 0.006 A 999 240 HORZ(LL): 0.001 A - - HORZ(TL): 0.002 A - - Creep Factor: 2.0 Max TC CSI: 0.241 Max BC CSI: 0.156 Max Web CSI: 0.100 VIEW Ver: 24.02.00D.0114.10	Gravity Non-Gravity Loc R+ / R- / Rh / Rw / U / RL F* 82 /- /- /51 /3 /10 Wind reactions based on MWFRS F Brg Wid = 90.0 Min Req = - Bearing A is a rigid surface. Members not listed have forces less than 375#

Lumber

Top chord: 2x4 SP #2;
Bot chord: 2x4 SP #2;
Webs: 2x4 SP #3;

Wind

Wind loads based on MWFRS with additional C&C member design.
Right end vertical not exposed to wind pressure.
Wind loading based on both gable and hip roof types.

Additional Notes

See DWGS VALTN220723 and VAL180220723 for valley details.
The overall height of this truss excluding overhang is 3-4-5.

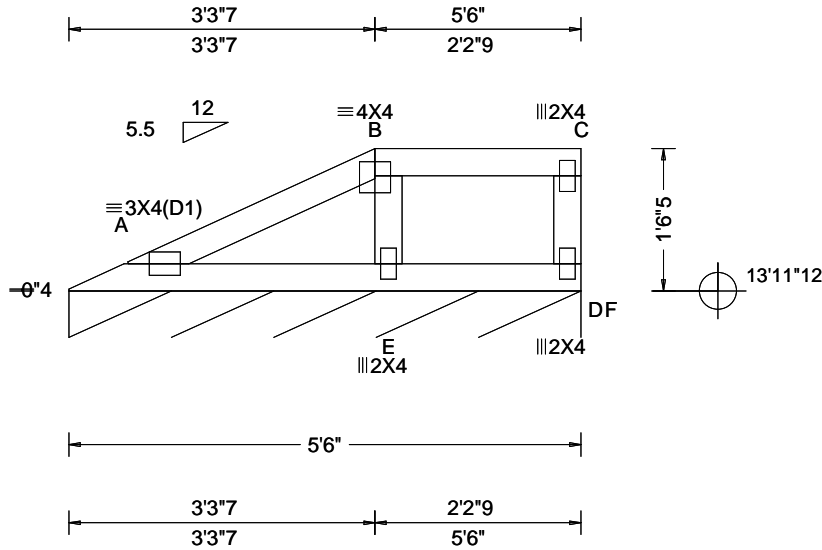


COA #0278

Florida Certificate of Product Approval #FL 1999

****WARNING** READ AND FOLLOW ALL NOTES ON THIS DRAWING!**
****IMPORTANT** FURNISH THIS DRAWING TO ALL CONTRACTORS INCLUDING THE INSTALLERS**
Trusses require extreme care in fabricating, handling, shipping, installing and bracing. Refer to and follow the latest edition of BCSI (Building Component Safety Information, by TPI and SBCA) for safety practices prior to performing these functions. Installers shall provide temporary bracing per BCSI. Unless noted otherwise, top chord shall have properly attached structural sheathing and bottom chord shall have a properly attached rigid ceiling. Locations shown for permanent lateral restraint of webs shall have continuous lateral restraint (CLR), installed with diagonal bracing installed on the CLR per BCSI sections B3, B7, or B10, as applicable. Apply plates to each face of truss and position as shown above and on the Joint Details, unless noted otherwise. Refer to drawings 160A-Z for standard plate positions. Refer to job's General Notes page for additional information.
Alpine, a division of ITW Building Components Group Inc. shall not be responsible for any deviation from this drawing, any failure to build the truss in conformance with ANSI/TPI 1, or for handling, shipping, installation and bracing of trusses. A seal on this drawing or cover page listing this drawing, indicates acceptance of professional engineering responsibility solely for the design shown. The suitability and use of this drawing for any structure is the responsibility of the Building Designer per ANSI/TPI 1 Sec.2.
For more information see these web sites: Alpine: alpineitw.com; TPI: tpinst.org; SBCA: sbcacomponents.com; ICC: iccsafe.org; AWC: awc.org





Loading Criteria (psf)	Wind Criteria	Snow Criteria (Pg,Pf in PSF)	Defl/CSI Criteria	▲ Maximum Reactions (lbs), or *=PLF
TCLL: 20.00 TC DL: 10.00 BC LL: 0.00 BC DL: 10.00 Des Ld: 40.00 NCBC LL: 10.00 Soffit: 2.00 Load Duration: 1.25 Spacing: 24.0 "	Wind Std: ASCE 7-22 Speed: 130 mph Enclosure: Enclosed Risk Category: II EXP: C Kzt: NA Mean Height: 15.00 ft TC DL: 5.0 psf BC DL: 5.0 psf MWFRS Parallel Dist: h/2 to h C&C Dist a: 3.00 ft Loc. from endwall: not in 9.00 ft GCp: 0.18 Wind Duration: 1.60	Pg: NA Ct: NA CAT: NA Pf: NA Ce: NA Lu: NA Cs: NA Snow Duration: NA Building Code: FBC 8th Ed. 2023 Res. TPI Std: 2014 Rep Fac: Yes FT/RT:20(0)/10(0) Plate Type(s): WAVE	PP Deflection in loc L/defl L/# VERT(LL): 0.006 A 999 360 VERT(CL): 0.012 A 999 240 HORZ(LL): 0.001 A - - HORZ(TL): 0.003 A - - Creep Factor: 2.0 Max TC CSI: 0.115 Max BC CSI: 0.105 Max Web CSI: 0.070 VIEW Ver: 24.02.00D.0114.10	Gravity Non-Gravity Loc R+ / R- / Rh / Rw / U / RL F* 82 /- /- /45 /11 /8 Wind reactions based on MWFRS F Brg Wid = 66.0 Min Req = - Bearing A is a rigid surface. Members not listed have forces less than 375#

Lumber

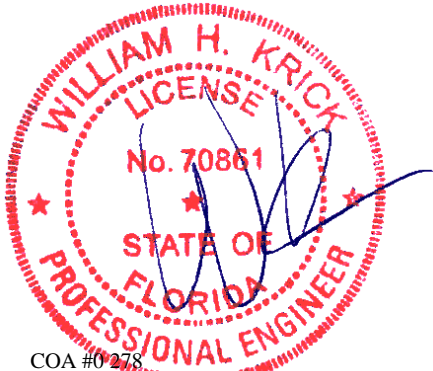
Top chord: 2x4 SP #2;
 Bot chord: 2x4 SP #2;
 Webs: 2x4 SP #3;

Wind

Wind loads based on MWFRS with additional C&C member design.
 Right end vertical not exposed to wind pressure.
 Wind loading based on both gable and hip roof types.

Additional Notes

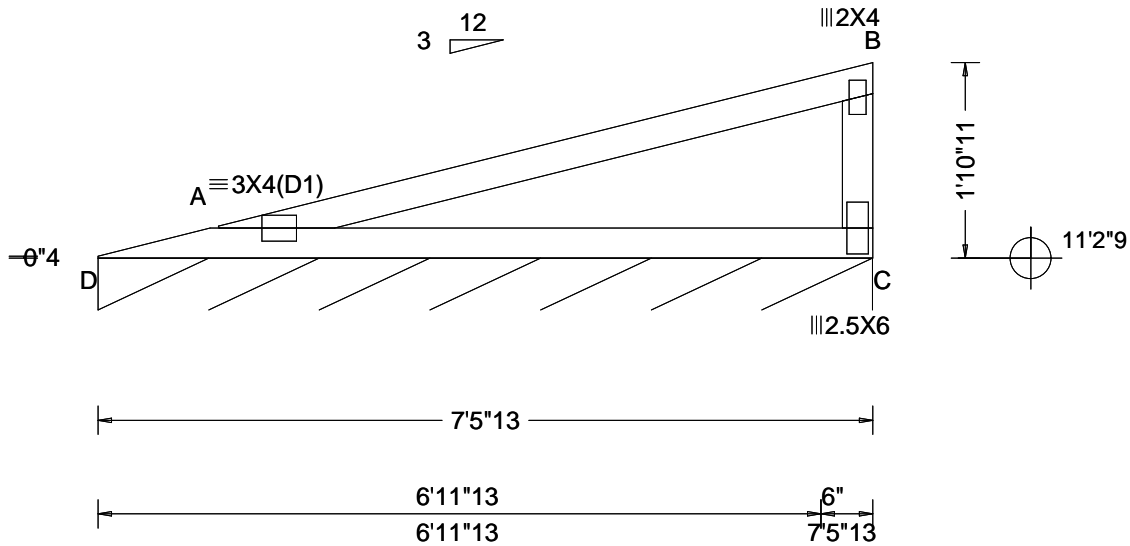
See DWGS VALTN220723 and VAL180220723 for valley details.
 The overall height of this truss excluding overhang is 1'-6"-5".



COA #0278
 04/02/2026
 Florida Certificate of Product Approval #FL 1999

****WARNING** READ AND FOLLOW ALL NOTES ON THIS DRAWING!**
****IMPORTANT** FURNISH THIS DRAWING TO ALL CONTRACTORS INCLUDING THE INSTALLERS**
 Trusses require extreme care in fabricating, handling, shipping, installing and bracing. Refer to and follow the latest edition of BCSI (Building Component Safety Information, by TPI and SBCA) for safety practices prior to performing these functions. Installers shall provide temporary bracing per BCSI. Unless noted otherwise, top chord shall have properly attached structural sheathing and bottom chord shall have a properly attached rigid ceiling. Locations shown for permanent lateral restraint of webs shall have continuous lateral restraint (CLR), installed with diagonal bracing installed on the CLR per BCSI sections B3, B7, or B10, as applicable. Apply plates to each face of truss and position as shown above and on the Joint Details, unless noted otherwise. Refer to drawings 160A-Z for standard plate positions. Refer to job's General Notes page for additional information.
 Alpine, a division of ITW Building Components Group Inc. shall not be responsible for any deviation from this drawing, any failure to build the truss in conformance with ANSI/TPI 1, or for handling, shipping, installation and bracing of trusses. A seal on this drawing or cover page listing this drawing, indicates acceptance of professional engineering responsibility solely for the design shown. The suitability and use of this drawing for any structure is the responsibility of the Building Designer per ANSI/TPI 1 Sec.2.
 For more information see these web sites: Alpine: alpineitw.com; TPI: tpinst.org; SBCA: sbccomponents.com; ICC: iccsafe.org; AWC: awc.org





Loading Criteria (psf) TCCL: 20.00 TCDL: 10.00 BCCL: 0.00 BCDL: 10.00 Des Ld: 40.00 NCBCLL: 10.00 Soffit: 2.00 Load Duration: 1.25 Spacing: 24.0 "	Wind Criteria Wind Std: ASCE 7-22 Speed: 130 mph Enclosure: Enclosed Risk Category: II EXP: C Kzt: NA Mean Height: 15.00 ft TCDL: 5.0 psf BCDL: 5.0 psf MWFRS Parallel Dist: h to 2h C&C Dist a: 3.00 ft Loc. from endwall: not in 9.00 ft GCp: 0.18 Wind Duration: 1.60	Snow Criteria (Pg,Pf in PSF) Pg: NA Ct: NA CAT: NA Pf: NA Ce: NA Lu: NA Cs: NA Snow Duration: NA Building Code: FBC 8th Ed. 2023 Res. TPI Std: 2014 Rep Fac: Yes FT/RT:20(0)/10(0) Plate Type(s): WAVE	Defl/CSI Criteria PP Deflection in loc L/defl L/# VERT(LL): NA VERT(CL): NA HORZ(LL): 0.027 A - - HORZ(TL): 0.054 A - - Creep Factor: 2.0 Max TC CSI: 0.734 Max BC CSI: 0.518 Max Web CSI: 0.229 VIEW Ver: 24.02.00D.0114.10	▲ Maximum Reactions (lbs), or *=PLF Gravity Non-Gravity Loc R+ / R- / Rh / Rw / U / RL D* 81 /- /- /38 /6 /6 Wind reactions based on MWFRS D Brg Wid = 89.8 Min Req = - Bearing D is a rigid surface. Members not listed have forces less than 375#

Lumber

Top chord: 2x4 SP #2;
 Bot chord: 2x4 SP #2;
 Webs: 2x4 SP #3;

Wind

Wind loads based on MWFRS with additional C&C member design.
 Right end vertical not exposed to wind pressure.
 Wind loading based on both gable and hip roof types.

Additional Notes

See DWGS VALTN220723 and VAL180220723 for valley details.
 The overall height of this truss excluding overhang is 1-10-11.

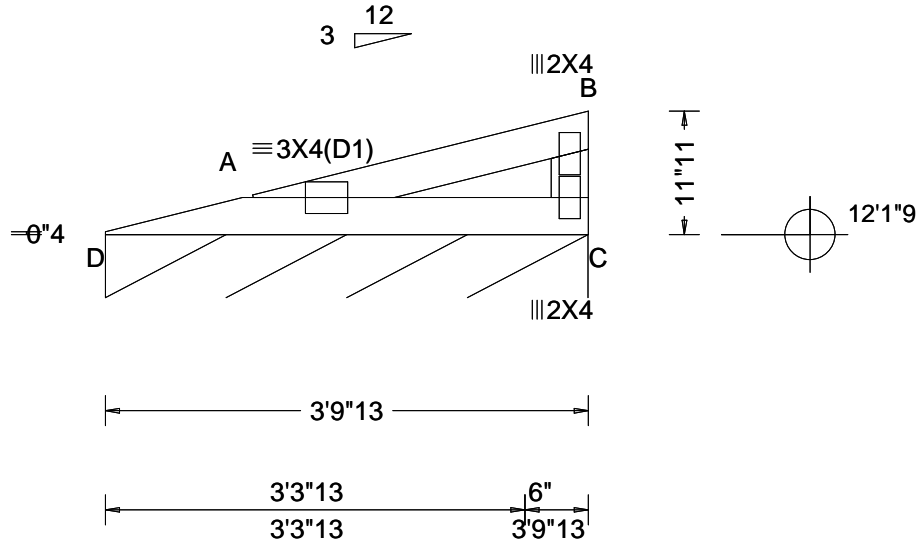


COA #0278

Florida Certificate of Product Approval #FL 1999

****WARNING** READ AND FOLLOW ALL NOTES ON THIS DRAWING!**
****IMPORTANT** FURNISH THIS DRAWING TO ALL CONTRACTORS INCLUDING THE INSTALLERS**
 Trusses require extreme care in fabricating, handling, shipping, installing and bracing. Refer to and follow the latest edition of BCSI (Building Component Safety Information, by TPI and SBCA) for safety practices prior to performing these functions. Installers shall provide temporary bracing per BCSI. Unless noted otherwise, top chord shall have properly attached structural sheathing and bottom chord shall have a properly attached rigid ceiling. Locations shown for permanent lateral restraint of webs shall have continuous lateral restraint (CLR), installed with diagonal bracing installed on the CLR per BCSI sections B3, B7, or B10, as applicable. Apply plates to each face of truss and position as shown above and on the Joint Details, unless noted otherwise. Refer to drawings 160A-Z for standard plate positions. Refer to job's General Notes page for additional information.
 Alpine, a division of ITW Building Components Group Inc. shall not be responsible for any deviation from this drawing, any failure to build the truss in conformance with ANSI/TPI 1, or for handling, shipping, installation and bracing of trusses. A seal on this drawing or cover page listing this drawing, indicates acceptance of professional engineering responsibility solely for the design shown. The suitability and use of this drawing for any structure is the responsibility of the Building Designer per ANSI/TPI 1 Sec.2.
 For more information see these web sites: Alpine: alpineitw.com; TPI: tpinst.org; SBCA: sbccomponents.com; ICC: iccsafe.org; AWC: awc.org





Loading Criteria (psf) TCLL: 20.00 TCDL: 10.00 BCLL: 0.00 BCDL: 10.00 Des Ld: 40.00 NCBCLL: 10.00 Soffit: 2.00 Load Duration: 1.25 Spacing: 24.0 "	Wind Criteria Wind Std: ASCE 7-22 Speed: 130 mph Enclosure: Enclosed Risk Category: II EXP: C Kzt: NA Mean Height: 15.00 ft TCDL: 5.0 psf BCDL: 5.0 psf MWFRS Parallel Dist: h to 2h C&C Dist a: 3.00 ft Loc. from endwall: not in 9.00 ft GCp: 0.18 Wind Duration: 1.60	Snow Criteria (Pg,Pf in PSF) Pg: NA Ct: NA CAT: NA Pf: NA Ce: NA Lu: NA Cs: NA Snow Duration: NA Building Code: FBC 8th Ed. 2023 Res. TPI Std: 2014 Rep Fac: Yes FT/RT:20(0)/10(0) Plate Type(s): WAVE	Defl/CSI Criteria PP Deflection in loc L/defl L/# VERT(LL): NA VERT(CL): NA HORZ(LL): 0.002 A - - HORZ(TL): 0.005 A - - Creep Factor: 2.0 Max TC CSI: 0.152 Max BC CSI: 0.165 Max Web CSI: 0.052 VIEW Ver: 24.02.00D.0114.10	▲ Maximum Reactions (lbs), or *=PLF Gravity Non-Gravity Loc R+ / R- / Rh / Rw / U / RL D* 80 /- /- /35 /3 /5 Wind reactions based on MWFRS D Brg Wid = 45.8 Min Req = - Bearing D is a rigid surface. Members not listed have forces less than 375#
--------------------------------------------------------------------------------------------------------------------------------------------------------------------------------------	------------------------------------------------------------------------------------------------------------------------------------------------------------------------------------------------------------------------------------------------------------------------------------------------------------------------	----------------------------------------------------------------------------------------------------------------------------------------------------------------------------------------------------------------------------------------------------	-----------------------------------------------------------------------------------------------------------------------------------------------------------------------------------------------------------------------------------------------------------------------	---------------------------------------------------------------------------------------------------------------------------------------------------------------------------------------------------------------------------------------------------------------------------------

Lumber

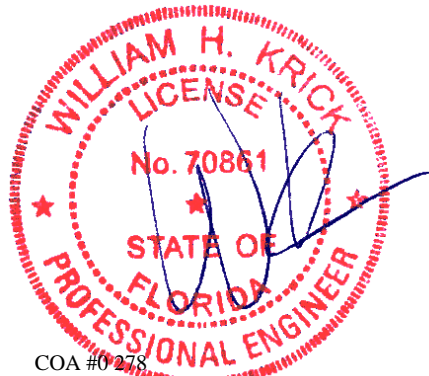
Top chord: 2x4 SP #2;
Bot chord: 2x4 SP #2;
Webs: 2x4 SP #3;

Wind

Wind loads based on MWFRS with additional C&C member design.
Right end vertical not exposed to wind pressure.
Wind loading based on both gable and hip roof types.

Additional Notes

See DWGS VALTN220723 and VAL180220723 for valley details.
The overall height of this truss excluding overhang is 0-11-11.



COA #0278

04/02/2026 Florida Certificate of Product Approval #FL 1999

****WARNING** READ AND FOLLOW ALL NOTES ON THIS DRAWING!**
****IMPORTANT** FURNISH THIS DRAWING TO ALL CONTRACTORS INCLUDING THE INSTALLERS**
Trusses require extreme care in fabricating, handling, shipping, installing and bracing. Refer to and follow the latest edition of BCSI (Building Component Safety Information, by TPI and SBCA) for safety practices prior to performing these functions. Installers shall provide temporary bracing per BCSI. Unless noted otherwise, top chord shall have properly attached structural sheathing and bottom chord shall have a properly attached rigid ceiling. Locations shown for permanent lateral restraint of webs shall have continuous lateral restraint (CLR), installed with diagonal bracing installed on the CLR per BCSI sections B3, B7, or B10, as applicable. Apply plates to each face of truss and position as shown above and on the Joint Details, unless noted otherwise. Refer to drawings 160A-Z for standard plate positions. Refer to job's General Notes page for additional information.
Alpine, a division of ITW Building Components Group Inc. shall not be responsible for any deviation from this drawing, any failure to build the truss in conformance with ANSI/TPI 1, or for handling, shipping, installation and bracing of trusses. A seal on this drawing or cover page listing this drawing, indicates acceptance of professional engineering responsibility solely for the design shown. The suitability and use of this drawing for any structure is the responsibility of the Building Designer per ANSI/TPI 1 Sec.2.
For more information see these web sites: Alpine: alpineitw.com; TPI: tpinst.org; SBCA: sbccomponents.com; ICC: iccsafe.org; AWC: awc.org



CLR Reinforcing Member Substitution

This detail is to be used for ANSI/TPI 1-2014 standards and older when a Continuous Lateral Restraint (CLR) is specified on a truss design and an alternative web reinforcement method is desired.

Notes:

This detail is only applicable for changing the specified CLR shown on single ply sealed designs to T-reinforcement or L-reinforcement or scab reinforcement.

Alternative reinforcement specified in chart below may be conservative. For minimum alternative reinforcement, re-run design with appropriate reinforcement type.

Use scabs instead of L- or T- reinforcement on webs with intersecting truss joints, such as K-web joints, that may interfere with proper application along the narrow face of the web.

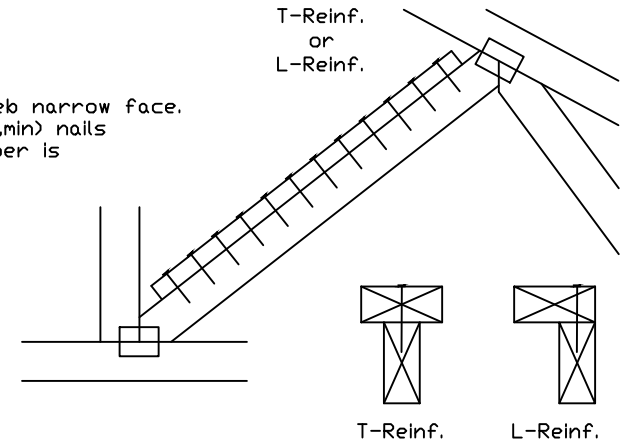
Web Member Size	Specified CLR Restraint	Alternative Reinforcement T- or L- Reinf.	Scab Reinf.
2x3 or 2x4	1 row	2x4	1-2x4
2x3 or 2x4	2 rows	2x6	2-2x4
2x6	1 row	2x4	1-2x6
2x6	2 rows	2x6	2-2x4(*)
2x8	1 row	2x6	1-2x8
2x8	2 rows	2x6	2-2x6(*)

T-reinforcement, L-reinforcement, or scab reinforcement to be same species and grade or better than web member unless specified otherwise on Engineer's sealed design.

(*) Center scab on wide face of web. Apply (1) scab to each face of web.

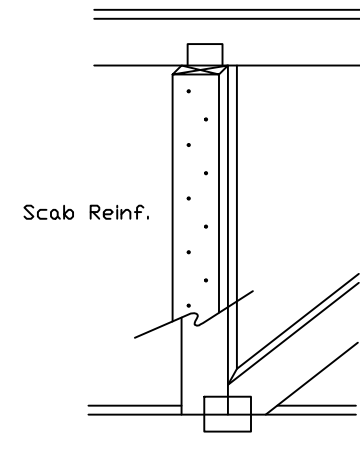
T-Reinforcement
or
L-Reinforcement:

Apply to either side of web narrow face. Attach with 10d (0.131"x3.0",min) nails at 6" o.c. Reinforcing member is a minimum 80% of web member length.



Scab Reinforcement:

Apply scab(s) to wide face of web. No more than (1) scab per face. Attach with 10d (0.131"x3.0",min) nails at 6" o.c. Reinforcing member is a minimum 80% of web member length.



Rev: 01/23/26



155 Harlem Ave
North Building, 4th Floor
Glenview, IL 60025

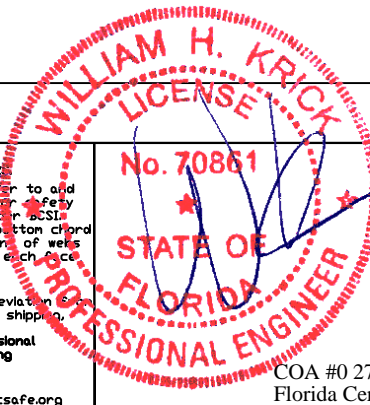
WARNING: READ AND FOLLOW ALL NOTES ON THIS DRAWING
IMPORTANT: FURNISH THIS DRAWING TO ALL CONTRACTORS INCLUDING THE INSTALLER

Trusses require extreme care in fabricating, handling, shipping, installing and bracing. Refer to and follow the latest edition of BCSI (Building Component Safety Information, by TPI and SBCA) for safety practices prior to performing these functions. Installers shall provide temporary bracing per BCSI. Unless noted otherwise, top chord shall have properly attached structural sheathing and bottom chord shall have a properly attached rigid ceiling. Locations shown for permanent lateral restraint of webs shall have bracing installed per BCSI sections B3, B7 or B10, as applicable. Apply plates to each face of truss and position as shown above and on the Joint Details, unless noted otherwise. Refer to drawings 160A-Z for standard plate positions.

Alpine, a division of ITW Building Components Group Inc. shall not be responsible for any deviation from this drawing, any failure to build the truss in conformance with ANSI/TPI 1, or for handling, shipping, installation & bracing of trusses.

A seal on this drawing or cover page listing this drawing, indicates acceptance of professional engineering responsibility solely for the design shown. The suitability and use of this drawing for any structure is the responsibility of the Building Designer per ANSI/TPI 1 Sec.2.

For more information see this job's general notes page and these web sites:
ALPINE: www.alpineitw.com TPI: www.tpinet.org SBCA: www.sbcacomponents.com ICC: www.iccsafe.org



TC LL	PSF	REF	CLR Subst.
TC DL	PSF	DATE	01/02/19
BC DL	PSF	DRWG	BRCLBSUB0119
BC LL	PSF		
TOT. LD.	PSF		
DR FAC			
SPACING			
COA #0 278			
Florida Certificate of Approval #FL 1999			

Valley Detail - ASCE 7-22: 180 mph, 30' Mean Height, Partially Enclosed, Exp. C, Kzt=1.00

Top Chord 2x4 SP #2N, SPF #1/#2, DF-L #2 or better.
 Bot Chord 2x4 SP #2N or SPF #1/#2 or better.
 Webs 2x4 SP #3, SPF #1/#2, DF-L #2 or better.

** Attach each valley to every supporting truss with:
 535# connection or with (1) Simpson H2.5A or equivalent connector for
 ASCE 7-22 180 mph. 30' Mean Height, Part. Enc. Building, Exp. C, Wind TC DL=5 psf, Kzt = 1.00
 Or
 ASCE 7-22 160 mph. 30' Mean Height, Part. Enc. Building, Exp. D, Wind TC DL=5 psf, Kzt = 1.00

Bottom chord may be square or pitched cut as shown.

Valleys short enough to be cut as solid triangular members from a single 2x6, or larger as required, shall be permitted in lieu of fabricating from separate 2x4 members.

All plates shown are Alpine Wave Plates.

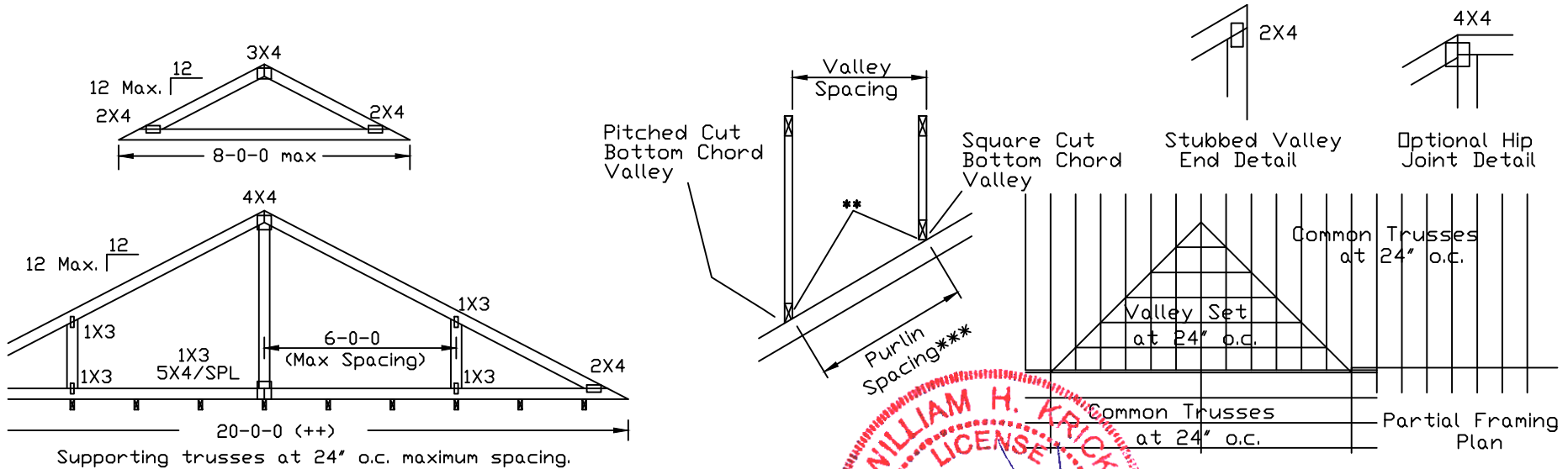
Unless specified otherwise on engineer's sealed design, for vertical valley webs taller than 7-9" apply 2x4 "T" reinforcement, 80% length of web, same species and grade or better, attached with 10d box (0.131" x 3.0") nails at 6" o.c. In lieu of "T" reinforcement, 2x4 Continuous Lateral Restraint applied at mid-length of web is permitted with diagonal bracing as shown in DRWG BRCLBANC1014.

Top chord of truss beneath valley set must be braced with properly attached, rated sheathing applied prior to valley truss installation.

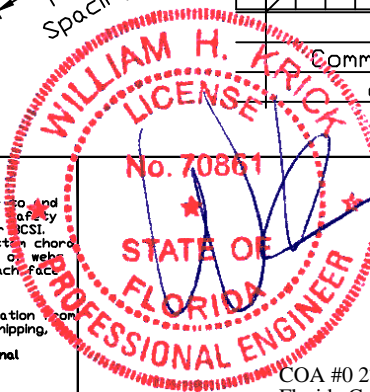
Or
 Purlins at 24" o.c. or as otherwise specified on engineer's sealed design
 Or
 By valley trusses used in lieu of purlin spacing as specified on Engineer's sealed design.

*** Note that the purlin spacing for bracing the top chord of the truss beneath the valley is measured along the slope of the top chord.

++ Larger spans may be built as long as the vertical height does not exceed 14'-0".



WARNING: READ AND FOLLOW ALL NOTES ON THIS DRAWING
IMPORTANT: FURNISH THIS DRAWING TO ALL CONTRACTORS INCLUDING THE INSTALLERS.
 Trusses require extreme care in fabricating, handling, shipping, installing and bracing. Refer to and follow the latest edition of BCSI (Building Component Safety Information, by TPI and SBCA) for safety practices prior to performing these functions. Installers shall provide temporary bracing per BCSI. Unless noted otherwise, top chord shall have properly attached structural sheathing and bottom chord shall have a properly attached rigid ceiling. Locations shown for permanent lateral restraint of webs shall have bracing installed per BCSI sections B3, B7 or B10, as applicable. Apply plates to each face of truss and position as shown above and on the Joint Details, unless noted otherwise. Refer to drawings 160A-Z for standard plate positions.
 Alpine, a division of ITW Building Components Group Inc. shall not be responsible for any deviation from this drawing, any failure to build the truss in conformance with ANSI/TPI 1, or for handling, shipping, installation & bracing of trusses.
 A seal on this drawing or cover page listing this drawing, indicates acceptance of professional engineering responsibility solely for the design shown. The suitability and use of this drawing for any structure is the responsibility of the Building Designer per ANSI/TPI 1 Sec.2.
 For more information see this job's general notes page and these web sites:
 ALPINE: www.alpinetw.com TPI: www.tpinet.org SBCA: www.sbccomponents.com ICC: www.iccsafe.org



TC-LL	30	30	40PSF	REF	VALLEY DETAIL
TC-DL	20	15	7PSF	DATE	07/03/2023
BC-DL	10	10	10PSF	DRWG	VAL180220723
BC-LL	0	0	0PSF		
TOT. LD.	60	55	57PSF		
COA #0278	DUR. FAC. 1.25	1.33	1.15	1.15	
SPACING	24.0				

Florida Certificate of Product Approval #FL 1999

Rev: 01/23/26

Valley Detail - ASCE 7-22: 30' Mean Height, Enclosed, Exp. C, Kzt=1.00

Top Chord 2x4 SP #2N, SPF #1/#2, DF-L #2 or better.
 Bot Chord 2x4 SP #2N or SPF #1/#2 or better.
 Webs 2x4 SP #3, SPF #1/#2, DF-L #2 or better.

**** Attach each valley to every supporting truss with:**
 (2) 16d box (0.135" x 3.5") nails toe-nailed for
 ASCE 7-22, 30' Mean Height, Enclosed Building, Exp. C,
 Wind TC DL=5 psf, Kzt = 1.00, Max. Wind Speed based on
 supporting truss material at connection location:
 140 mph for SP (G = 0.55, min.),
 125 mph for DF-L (G = 0.50, min.), or
 105 mph for HF & SPF (G = 0.42, min.).

Maximum top chord pitch is 10/12 for supporting trusses below valley trusses.

Bottom chord of valley trusses may be square or pitched cut as shown.

Valleys short enough to be cut as solid triangular members from a single 2x6, or larger as required, shall be permitted in lieu of fabricating from separate 2x4 members.

All plates shown are Alpine Wave Plates.

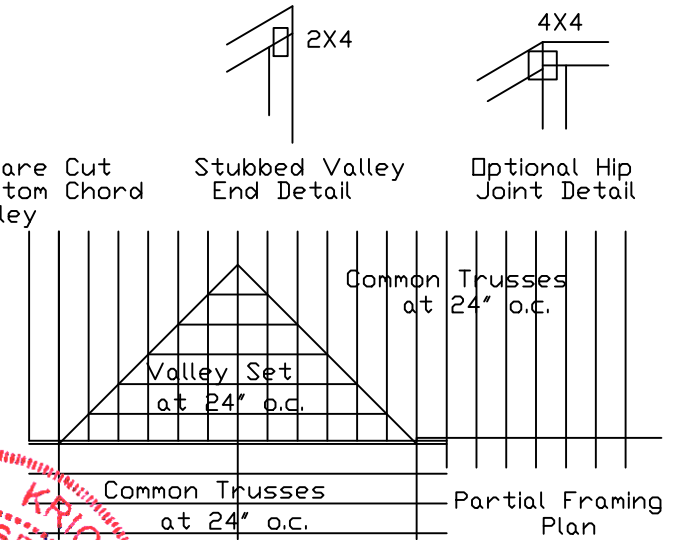
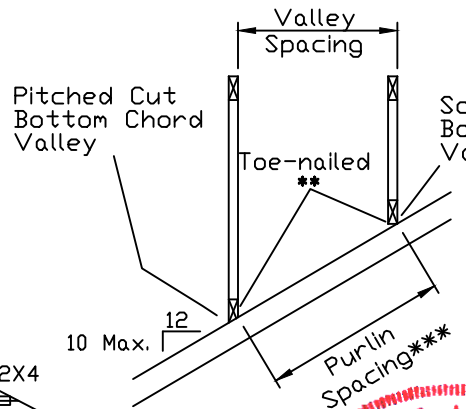
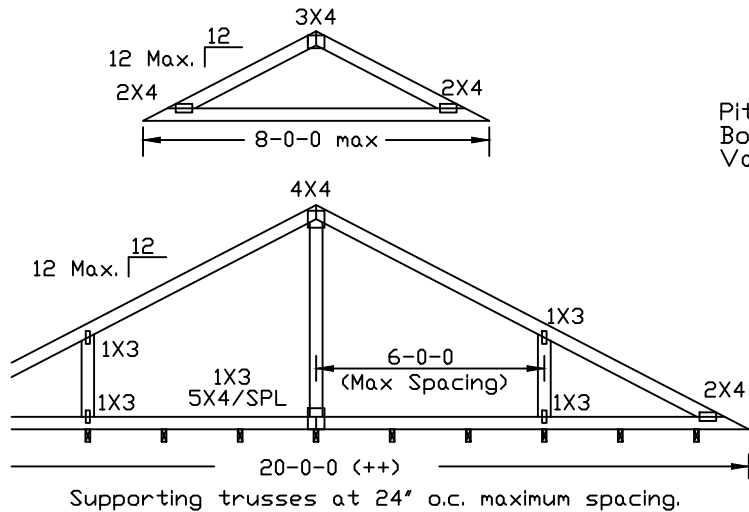
Unless specified otherwise on engineer's sealed design, for vertical valley webs taller than 7-9" apply 2x4 "T" reinforcement, 80% length of web, same species and grade or better, attached with 10d box (0.131" x 3.0") nails at 6" o.c. In lieu of "T" reinforcement, 2x4 Continuous Lateral Restraint applied at mid-length of web is permitted with diagonal bracing as shown in DRWG BRCLBANC1014.

Top chord of truss beneath valley set must be braced with: properly attached, rated sheathing applied prior to valley truss installation.

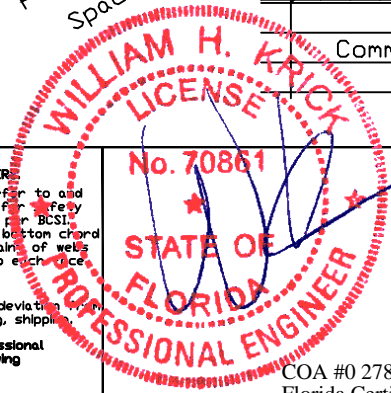
- Purlins at 24" o.c. or as otherwise specified on engineer's sealed design
- By valley trusses used in lieu of purlin spacing as specified on Engineer's sealed design.

***** Note that the purlin spacing for bracing the top chord of the truss beneath the valley is measured along the slope of the top chord.**

++ Larger spans may be built as long as the vertical height does not exceed 14'-0".



WARNING: READ AND FOLLOW ALL NOTES ON THIS DRAWING
IMPORTANT: FURNISH THIS DRAWING TO ALL CONTRACTORS INCLUDING THE INSTALLER.
 Trusses require extreme care in fabricating, handling, shipping, installing and bracing. Refer to and follow the latest edition of BCSI (Building Component Safety Information, by TPI and SBCA) for safety practices prior to performing these functions. Installers shall provide temporary bracing per BCSI. Unless noted otherwise, top chord shall have properly attached structural sheathing and bottom chord shall have a properly attached rigid ceiling. Locations shown for permanent lateral restraint of webs shall have bracing installed per BCSI sections B3, B7 or B10, as applicable. Apply plates to each piece of truss and position as shown above and on the Joint Details, unless noted otherwise. Refer to drawings 160A-Z for standard plate positions.
 Alpine, a division of ITW Building Components Group Inc. shall not be responsible for any deviation from this drawing, any failure to build the truss in conformance with ANSI/TPI 1, or for handling, shipping, installation & bracing of trusses.
 A seal on this drawing or cover page listing this drawing, indicates acceptance of professional engineering responsibility solely for the design shown. The suitability and use of this drawing for any structure is the responsibility of the Building Designer per ANSI/TPI 1 Sec.2.
 For more information see this job's general notes page and these web sites:
 ALPINE: www.alpineitw.com; TPI: www.tpinst.org; SBCA: www.sbcacomponents.com; ICC: www.iccsafe.org



IC LL	30	30	40PSF
TC DL	20	15	7 PSF
BC DL	10	10	10 PSF
BC LL	0	0	0 PSF
TOT. LD.	60	55	57PSF

COA #0 278
 Florida Certificate of Approval #FL 1999

REF	VALLEY DETAIL
DATE	07/03/2023
DRWG	VALTN220723

Rev: 01/23/26