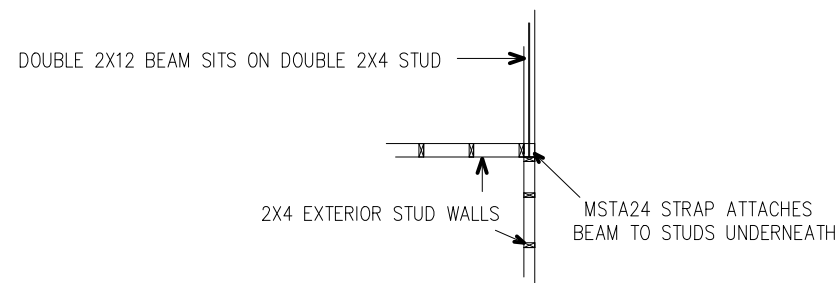
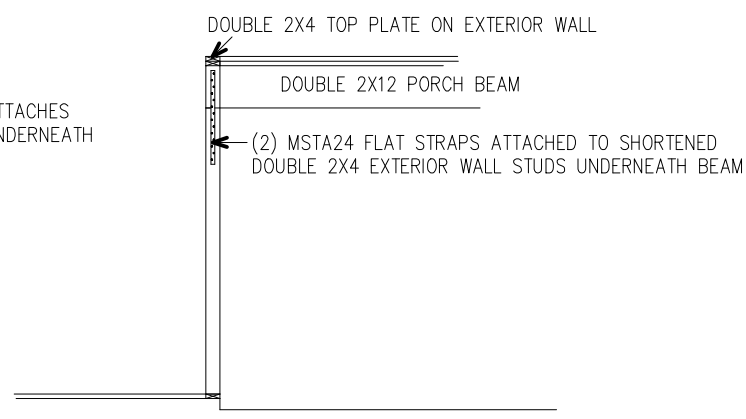


TOP VIEW OF PORCH BEAM CORNER CONNECTION

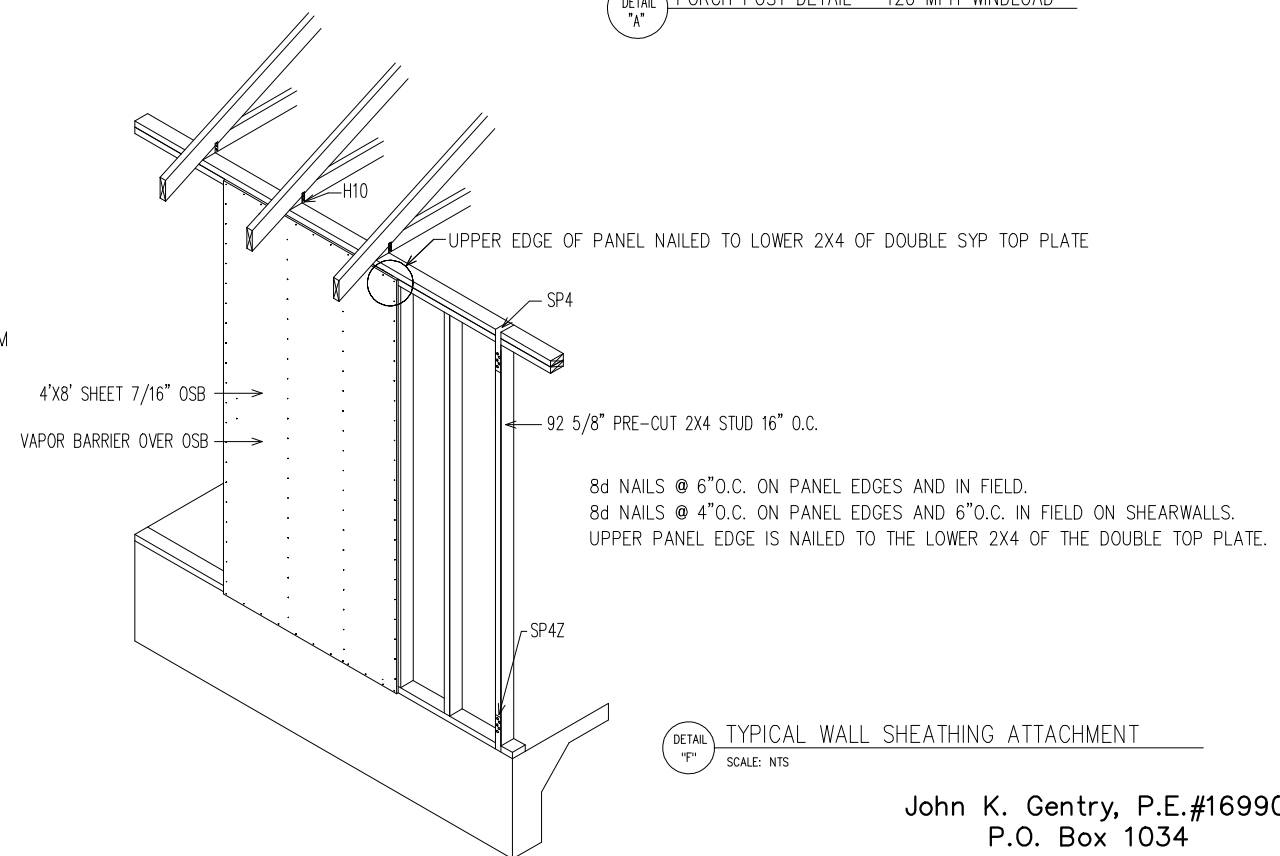


SIDE VIEW OF PORCH BEAM CONNECTION



DETAIL "H" SCALE: NTS

PORCH BEAM CONNECTION IN EXTERIOR WALL DETAIL



DETAIL "F" SCALE: NTS

TYPICAL WALL SHEATHING ATTACHMENT

John K. Gentry, P.E.#16990
 P.O. Box 1034
 Perry, FL 32348
 (850) 672-0145

These plans comply with 2023 Florida Building Code, 120 mph wind speed (3 sec. gust)

DATE: 01-08-2026

SQUARE FOOTAGE
 HEATED PORCH 1983 S.F.
 TOTAL 237 S.F.

SQUARE FOOTAGE
 HEATED PORCH 1983 S.F.
 TOTAL 237 S.F.

SQUARE FOOTAGE
 HEATED PORCH 1983 S.F.
 TOTAL 237 S.F.

SQUARE FOOTAGE
 HEATED PORCH 1983 S.F.
 TOTAL 237 S.F.

SQUARE FOOTAGE
 HEATED PORCH 1983 S.F.
 TOTAL 237 S.F.

SQUARE FOOTAGE
 HEATED PORCH 1983 S.F.
 TOTAL 237 S.F.

SQUARE FOOTAGE
 HEATED PORCH 1983 S.F.
 TOTAL 237 S.F.

Josh Wilson & Nicole Dempsey
 White Springs, Florida

