



Lumber design values are in accordance with ANSI/TPI 1 section 6.3
 These truss designs rely on lumber values established by others.

RE: 2380539 - AMIRA BLDRS. - NICEWONGER RES.

MiTek USA, Inc.
 6904 Parke East Blvd.
 Tampa, FL 33610-4115

Site Information:

Customer Info: Amira Bldrs. Project Name: Nicewonger REs. Model: Custom
 Lot/Block: N/A Subdivision: N/A
 Address: TBD SW Wilson Springs Rd., N/A
 City: Columbia Cty State: FL

Name Address and License # of Structural Engineer of Record, If there is one, for the building.

Name: License #:
 Address:
 City: State:

General Truss Engineering Criteria & Design Loads (Individual Truss Design Drawings Show Special Loading Conditions):

Design Code: FBC2017/TPI2014 Design Program: MiTek 20/20 8.2
 Wind Code: ASCE 7-10 Wind Speed: 130 mph
 Roof Load: 37.0 psf Floor Load: N/A psf

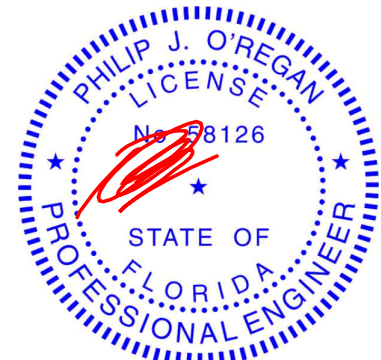
This package includes 73 individual, Truss Design Drawings and 0 Additional Drawings.
 With my seal affixed to this sheet, I hereby certify that I am the Truss Design Engineer and this index sheet conforms to 61G15-31.003, section 5 of the Florida Board of Professional Engineers Rules.

No.	Seal#	Truss Name	Date	No.	Seal#	Truss Name	Date
1	T20922623	CJ01	8/4/20	23	T20922645	EJ05	8/4/20
2	T20922624	CJ01D	8/4/20	24	T20922646	EJ06	8/4/20
3	T20922625	CJ01F	8/4/20	25	T20922647	HJ10	8/4/20
4	T20922626	CJ02	8/4/20	26	T20922648	HJ10A	8/4/20
5	T20922627	CJ03	8/4/20	27	T20922649	HJ10B	8/4/20
6	T20922628	CJ03B	8/4/20	28	T20922650	HJ10D	8/4/20
7	T20922629	CJ03C	8/4/20	29	T20922651	HJ11	8/4/20
8	T20922630	CJ03D	8/4/20	30	T20922652	T01	8/4/20
9	T20922631	CJ03F	8/4/20	31	T20922653	T02	8/4/20
10	T20922632	CJ04	8/4/20	32	T20922654	T03	8/4/20
11	T20922633	CJ05	8/4/20	33	T20922655	T04	8/4/20
12	T20922634	CJ05A	8/4/20	34	T20922656	T05	8/4/20
13	T20922635	CJ05B	8/4/20	35	T20922657	T06	8/4/20
14	T20922636	CJ05D	8/4/20	36	T20922658	T07	8/4/20
15	T20922637	CJ05E	8/4/20	37	T20922659	T08	8/4/20
16	T20922638	CJ05F	8/4/20	38	T20922660	T09	8/4/20
17	T20922639	CJ06	8/4/20	39	T20922661	T10	8/4/20
18	T20922640	CJ07	8/4/20	40	T20922662	T11	8/4/20
19	T20922641	EJ01	8/4/20	41	T20922663	T12	8/4/20
20	T20922642	EJ02	8/4/20	42	T20922664	T13	8/4/20
21	T20922643	EJ03	8/4/20	43	T20922665	T14	8/4/20
22	T20922644	EJ04	8/4/20	44	T20922666	T15	8/4/20

The truss drawing(s) referenced above have been prepared by MiTek USA, Inc. under my direct supervision based on the parameters provided by Builders FirstSource-Jacksonville.

Truss Design Engineer's Name: ORegan, Philip
 My license renewal date for the state of Florida is February 28, 2021.

IMPORTANT NOTE: The seal on these truss component designs is a certification that the engineer named is licensed in the jurisdiction(s) identified and that the designs comply with ANSI/TPI 1. These designs are based upon parameters shown (e.g., loads, supports, dimensions, shapes and design codes), which were given to MiTek or TRENCO. Any project specific information included is for MiTek's or TRENCO's customers file reference purpose only, and was not taken into account in the preparation of these designs. MiTek or TRENCO has not independently verified the applicability of the design parameters or the designs for any particular building. Before use, the building designer should verify applicability of design parameters and properly incorporate these designs into the overall building design per ANSI/TPI 1, Chapter 2.



Philip J. O'Regan PE No.58126
 MiTek USA, Inc. FL Cert 6634
 6904 Parke East Blvd. Tampa FL 33610
 Date:

August 4,2020



RE: 2380539 - AMIRA BLDRS. - NICEWONGER RES.

MiTek USA, Inc.
6904 Parke East Blvd.
Tampa, FL 33610-4115

Site Information:

Customer Info: Amira Bldrs. Project Name: Nicewonger REs. Model: Custom
Lot/Block: N/A Subdivision: N/A
Address: TBD SW Wilson Springs Rd., N/A
City: Columbia Cty State: FL

No.	Seal#	Truss Name	Date
45	T20922667	T16	8/4/20
46	T20922668	T17	8/4/20
47	T20922669	T18	8/4/20
48	T20922670	T19	8/4/20
49	T20922671	T20	8/4/20
50	T20922672	T21	8/4/20
51	T20922673	T22	8/4/20
52	T20922674	T23	8/4/20
53	T20922675	T24	8/4/20
54	T20922676	T25	8/4/20
55	T20922677	T26	8/4/20
56	T20922678	T27	8/4/20
57	T20922679	T28	8/4/20
58	T20922680	T29	8/4/20
59	T20922681	T30	8/4/20
60	T20922682	T31	8/4/20
61	T20922683	T32	8/4/20
62	T20922684	T33	8/4/20
63	T20922685	T34	8/4/20
64	T20922686	T35	8/4/20
65	T20922687	T36	8/4/20
66	T20922688	T37	8/4/20
67	T20922689	T38	8/4/20
68	T20922690	T39	8/4/20
69	T20922691	T40	8/4/20
70	T20922692	T41	8/4/20
71	T20922693	T42	8/4/20
72	T20922694	T43	8/4/20
73	T20922695	T44	8/4/20

Job 2380539	Truss CJ01	Truss Type Jack-Open	Qty 14	Ply 1	AMIRA BLDRS. - NICEWONGER RES. Job Reference (optional)	T20922623
----------------	---------------	-------------------------	-----------	----------	--	-----------

Builders FirstSource, Jacksonville, FL - 32244,

8.240 s Mar 9 2020 MiTek Industries, Inc. Tue Aug 4 12:58:28 2020 Page 1

ID:aWWYZLkSHCowoxc8cTIVeVyrGuq-Jk3CiHaa07jyJZGNfUQKLv9OCAdcVq1LAAyNXLyrDYv



Scale = 1:7.9

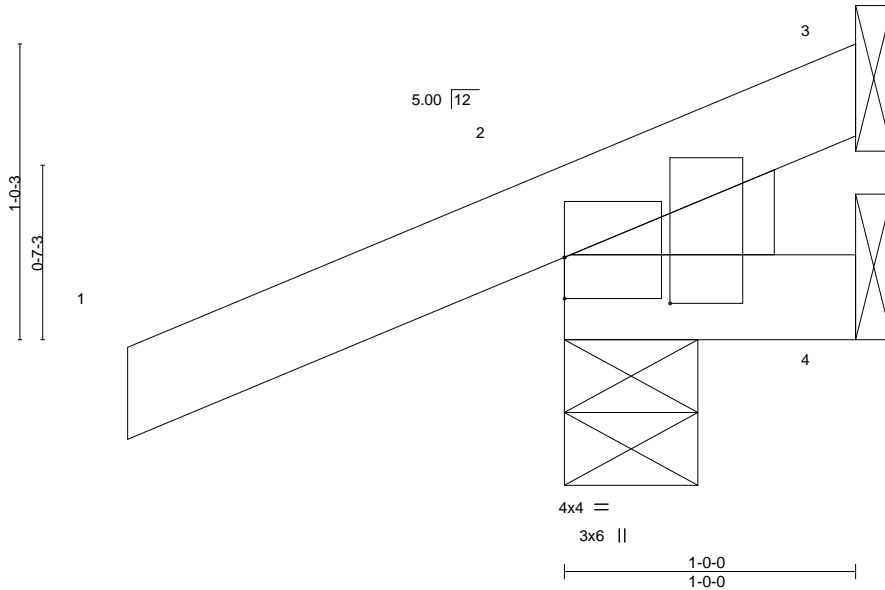


Plate Offsets (X, Y)--	[2:0-0-0,0-1-11], [2:0-1-14,0-4-6]
------------------------	------------------------------------

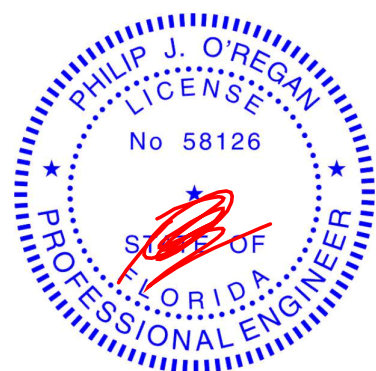
LOADING (psf)	SPACING-	2-0-0	CSI.	DEFL.	in (loc)	l/def	L/d	PLATES	GRIP
TCLL 20.0	Plate Grip DOL	1.25	TC 0.16	Vert(LL)	0.00	5	>999	MT20	244/190
TCDL 7.0	Lumber DOL	1.25	BC 0.01	Vert(CT)	0.00	5	>999		
BCLL 0.0 *	Rep Stress Incr	YES	WB 0.00	Horz(CT)	-0.00	2	n/a		
BCDL 10.0	Code FBC2017/TPI2014		Matrix-MP					Weight: 7 lb	FT = 20%

LUMBER-	BRACING-
TOP CHORD 2x4 SP No.2	TOP CHORD Structural wood sheathing directly applied or 1-0-0 oc purlins.
BOT CHORD 2x4 SP No.2	BOT CHORD Rigid ceiling directly applied or 10-0-0 oc bracing.
WEDGE	
Left: 2x4 SP No.3	

REACTIONS. (size) 3=Mechanical, 2=0-5-8, 4=Mechanical
 Max Horz 2=46(LC 8)
 Max Uplift 3=8(LC 1), 2=-116(LC 8), 4=-16(LC 1)
 Max Grav 3=12(LC 8), 2=179(LC 1), 4=20(LC 8)

FORCES. (lb) - Max. Comp./Max. Ten. - All forces 250 (lb) or less except when shown.

- NOTES-**
- 1) Wind: ASCE 7-10; Vult=130mph (3-second gust) Vasd=101mph; TCDL=4.2psf; BCDL=3.0psf; h=18ft; Cat. II; Exp C; Encl., GCpi=0.18; MWFRS (envelope) gable end zone and C-C Exterior(2) zone; C-C for members and forces & MWFRS for reactions shown; Lumber DOL=1.60 plate grip DOL=1.60
 - 2) This truss has been designed for a 10.0 psf bottom chord live load nonconcurrent with any other live loads.
 - 3) * This truss has been designed for a live load of 20.0psf on the bottom chord in all areas where a rectangle 3-6-0 tall by 2-0-0 wide will fit between the bottom chord and any other members.
 - 4) Refer to girder(s) for truss to truss connections.
 - 5) Provide mechanical connection (by others) of truss to bearing plate capable of withstanding 100 lb uplift at joint(s) 3, 4 except (jt=lb) 2=116.



Philip J. O'Regan PE No.58126
 MiTek USA, Inc. FL Cert 6634
 6904 Parke East Blvd. Tampa FL 33610
 Date:

August 4, 2020

Job 2380539	Truss CJ01D	Truss Type Jack-Open	Qty 3	Ply 1	AMIRA BLDRS. - NICEWONGER RES. Job Reference (optional)	T20922624
----------------	----------------	-------------------------	----------	----------	--	-----------

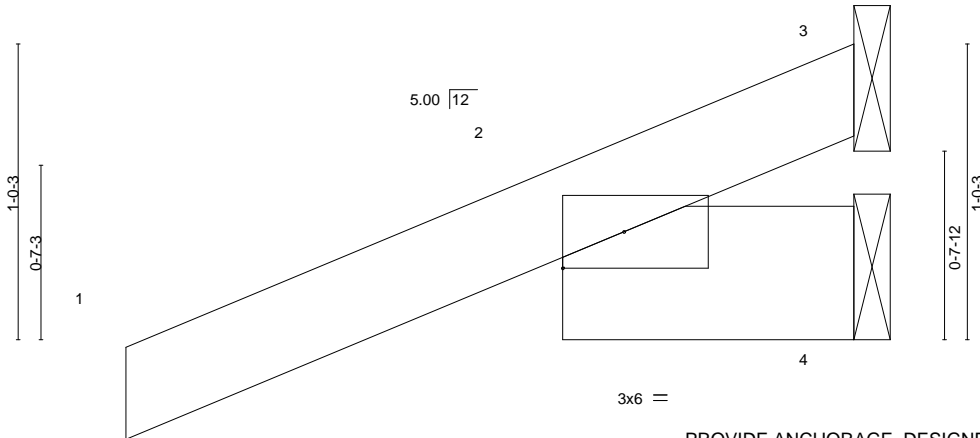
Builders FirstSource, Jacksonville, FL - 32244,

8.240 s Mar 9 2020 MiTek Industries, Inc. Tue Aug 4 12:58:40 2020 Page 1

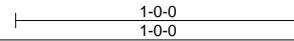
ID:aWWYZLKSHCowoxc8cTlVEVyrGuq-z1nkDOK6BpEFIPBgM0e9qReSB?ibJF?6w2SPyfyrdYj



Scale = 1:7.9



PROVIDE ANCHORAGE, DESIGNED BY OTHERS, AT BEARINGS TO RESIST MAX. UPLIFT AND MAX HORZ. REACTIONS SPECIFIED BELOW.



LOADING (psf)	SPACING-	2-0-0	CSI.	DEFL.	in (loc)	l/defl	L/d	PLATES	GRIP
TCLL 20.0	Plate Grip DOL	1.25	TC 0.16	Vert(LL)	0.00	7	n/r	MT20	244/190
TCDL 7.0	Lumber DOL	1.25	BC 0.07	Vert(CT)	-0.00	7	n/r		
BCLL 0.0 *	Rep Stress Incr	YES	WB 0.00	Horz(CT)	0.00		n/a		
BCDL 10.0	Code FBC2017/TPI2014		Matrix-MP					Weight: 7 lb	FT = 20%

LUMBER-

TOP CHORD 2x4 SP No.2
BOT CHORD 2x6 SP No.2

BRACING-

TOP CHORD Structural wood sheathing directly applied or 1-0-0 oc purlins.
BOT CHORD Rigid ceiling directly applied or 6-0-0 oc bracing.

REACTIONS.

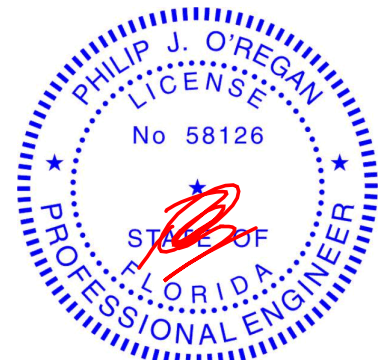
(size) 3=Mechanical, 4=Mechanical
Max Horz 3=284(LC 1), 4=284(LC 1)
Max Uplift 3=97(LC 8), 4=11(LC 8)
Max Grav 3=135(LC 1), 4=25(LC 3)

FORCES. (lb) - Max. Comp./Max. Ten. - All forces 250 (lb) or less except when shown.

TOP CHORD 2-3=-455/313
BOT CHORD 2-4=-284/493

NOTES-

- 1) Wind: ASCE 7-10; Vult=130mph (3-second gust) Vasd=101mph; TCDL=4.2psf; BCDL=3.0psf; h=18ft; Cat. II; Exp C; Encl., GCpi=0.18; MWFRS (envelope) gable end zone and C-C Exterior(2) zone; cantilever left and right exposed; porch left and right exposed; C-C for members and forces & MWFRS for reactions shown; Lumber DOL=1.60 plate grip DOL=1.60
- 2) This truss has been designed for a 10.0 psf bottom chord live load nonconcurrent with any other live loads.
- 3) * This truss has been designed for a live load of 20.0psf on the bottom chord in all areas where a rectangle 3-6-0 tall by 2-0-0 wide will fit between the bottom chord and any other members.
- 4) Refer to girder(s) for truss to truss connections.
- 5) Provide mechanical connection (by others) of truss to bearing plate capable of withstanding 100 lb uplift at joint(s) 3, 4.
- 6) n/a



Philip J. O'Regan PE No.58126
MiTek USA, Inc. FL Cert 6634
6904 Parke East Blvd. Tampa FL 33610
Date:

August 4, 2020

WARNING - Verify design parameters and READ NOTES ON THIS AND INCLUDED MITEK REFERENCE PAGE MII-7473 rev. 5/19/2020 BEFORE USE.

Design valid for use only with MiTek® connectors. This design is based only upon parameters shown, and is for an individual building component, not a truss system. Before use, the building designer must verify the applicability of design parameters and properly incorporate this design into the overall building design. Bracing indicated is to prevent buckling of individual truss web and/or chord members only. Additional temporary and permanent bracing is always required for stability and to prevent collapse with possible personal injury and property damage. For general guidance regarding the fabrication, storage, delivery, erection and bracing of trusses and truss systems, see **ANSI/TPI1 Quality Criteria, DSB-89 and BCSI Building Component Safety Information** available from Truss Plate Institute, 2670 Crain Highway, Suite 203 Waldorf, MD 20601



6904 Parke East Blvd.
Tampa, FL 36610

Job 2380539	Truss CJ01F	Truss Type Jack-Open Supported Gable	Qty 1	Ply 1	AMIRA BLDRS. - NICEWONGER RES. T20922625 Job Reference (optional)
----------------	----------------	---	----------	----------	---

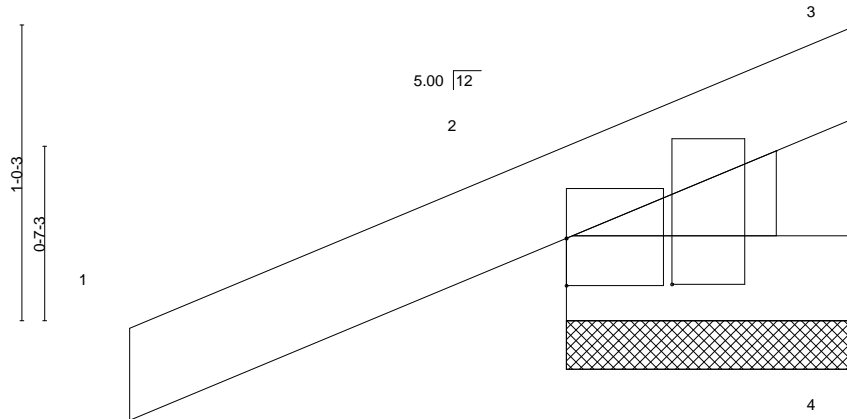
Builders FirstSource, Jacksonville, FL - 32244,

8.240 s Mar 9 2020 MiTek Industries, Inc. Tue Aug 4 12:58:48 2020 Page 1

ID:aWWYZLKSHCowoxc8cTivEVyrGuq-kaGmv7q7JGE6jeoDqhn197_pTERLbt_lmHOqEBYrDYb



Scale = 1:7.9



4x4 =
3x6 ||

Plate Offsets (X,Y)-- [2:0-0-0,0-1-15], [2:0-1-14,0-4-6]

LOADING (psf)	SPACING-	CSI.	DEFL.	PLATES	GRIP
TCLL 20.0	2-0-0	TC 0.14	in (loc) l/def L/d	MT20	244/190
TCDL 7.0	Plate Grip DOL 1.25	BC 0.01	Vert(LL) 0.00 1 n/r 120		
BCLL 0.0 *	Lumber DOL 1.25	WB 0.00	Vert(CT) 0.00 1 n/r 120		
BCDL 10.0	Rep Stress Incr YES	Matrix-P	Horz(CT) -0.00 3 n/a n/a		
	Code FBC2017/TPI2014			Weight: 7 lb	FT = 20%

LUMBER-

TOP CHORD 2x4 SP No.2
 BOT CHORD 2x4 SP No.2
 WEDGE
 Left: 2x4 SP No.3

BRACING-

TOP CHORD Structural wood sheathing directly applied or 1-0-0 oc purlins.
 BOT CHORD Rigid ceiling directly applied or 10-0-0 oc bracing.

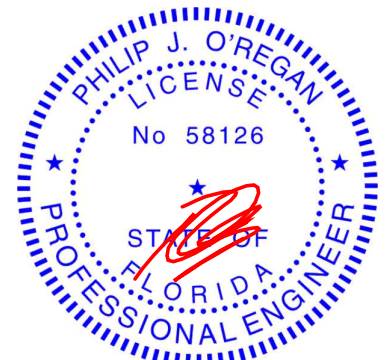
REACTIONS.

(size) 3=1-0-0, 2=1-0-0, 4=1-0-0
 Max Horz 2=48(LC 12)
 Max Uplift 3=34(LC 1), 2=117(LC 8)
 Max Grav 3=29(LC 8), 2=179(LC 1), 4=20(LC 3)

FORCES. (lb) - Max. Comp./Max. Ten. - All forces 250 (lb) or less except when shown.

NOTES-

- Wind: ASCE 7-10; Vult=130mph (3-second gust) Vasd=101mph; TCdL=4.2psf; BCdL=3.0psf; h=18ft; Cat. II; Exp C; Encl., GCpi=0.18; MWFRS (envelope) gable end zone and C-C Exterior(2) zone; porch left and right exposed; C-C for members and forces & MWFRS for reactions shown; Lumber DOL=1.60 plate grip DOL=1.60
- Truss designed for wind loads in the plane of the truss only. For studs exposed to wind (normal to the face), see Standard Industry Gable End Details as applicable, or consult qualified building designer as per ANSI/TPI 1.
- Gable requires continuous bottom chord bearing.
- Gable studs spaced at 2-0-0 oc.
- This truss has been designed for a 10.0 psf bottom chord live load nonconcurrent with any other live loads.
- * This truss has been designed for a live load of 20.0psf on the bottom chord in all areas where a rectangle 3-6-0 tall by 2-0-0 wide will fit between the bottom chord and any other members.
- Provide mechanical connection (by others) of truss to bearing plate capable of withstanding 100 lb uplift at joint(s) 3 except (jt=lb) 2=117.



Philip J. O'Regan PE No.58126
 MiTek USA, Inc. FL Cert 6634
 6904 Parke East Blvd. Tampa FL 33610
 Date:

August 4, 2020

WARNING - Verify design parameters and READ NOTES ON THIS AND INCLUDED MITEK REFERENCE PAGE MII-7473 rev. 5/19/2020 BEFORE USE.

Design valid for use only with MiTek® connectors. This design is based only upon parameters shown, and is for an individual building component, not a truss system. Before use, the building designer must verify the applicability of design parameters and properly incorporate this design into the overall building design. Bracing indicated is to prevent buckling of individual truss web and/or chord members only. Additional temporary and permanent bracing is always required for stability and to prevent collapse with possible personal injury and property damage. For general guidance regarding the fabrication, storage, delivery, erection and bracing of trusses and truss systems, see **ANSI/TPI1 Quality Criteria, DSB-89 and BCSI Building Component Safety Information** available from Truss Plate Institute, 2670 Crain Highway, Suite 203 Waldorf, MD 20601

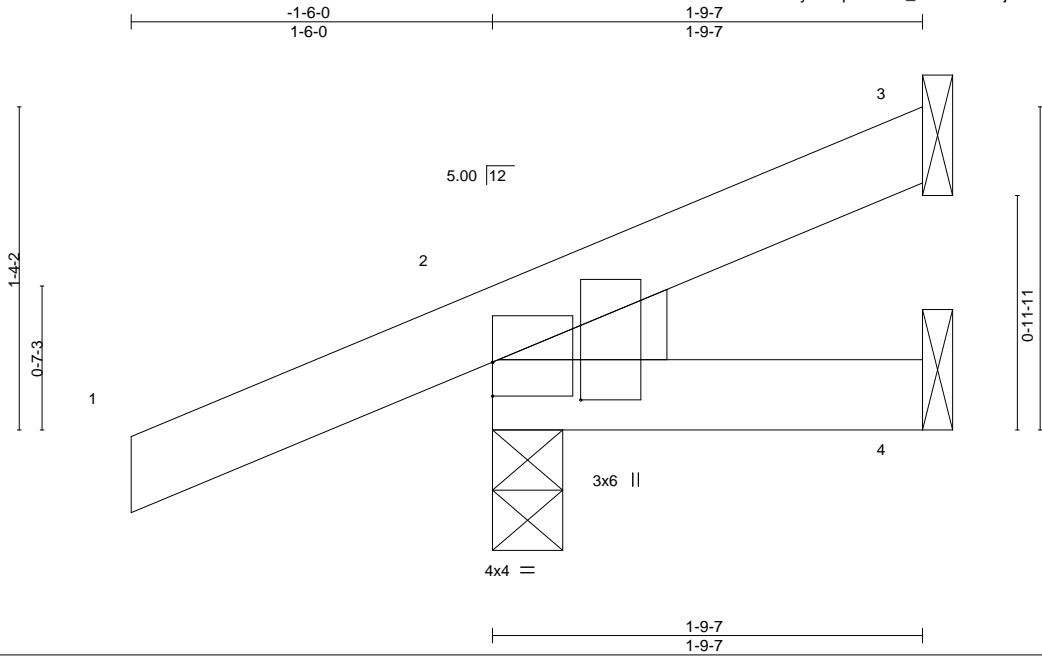


6904 Parke East Blvd.
 Tampa, FL 36610

Job 2380539	Truss CJ02	Truss Type Jack-Open	Qty 1	Ply 1	AMIRA BLDRS. - NICEWONGER RES. Job Reference (optional)	T20922626
----------------	---------------	-------------------------	----------	----------	--	-----------

Builders FirstSource, Jacksonville, FL - 32244,

8.240 s Mar 9 2020 MiTek Industries, Inc. Tue Aug 4 12:59:01 2020 Page 1
ID:aWWYZLKSHCwoxoc8cTivEVyrGuq-r4YhdZ_HFGtGmeHj4wW4Bt01t18klCClp20CxyrDY0



Scale = 1:9.6

Plate Offsets (X,Y)--	[2:0-0-0,0-1-11], [2:0-1-14,0-4-6]				
LOADING (psf)	SPACING- 2-0-0	CSI.	DEFL. in (loc) l/def L/d	PLATES	GRIP
TCLL 20.0	Plate Grip DOL 1.25	TC 0.16	Vert(LL) -0.00 7 >999 240	MT20	244/190
TCDL 7.0	Lumber DOL 1.25	BC 0.03	Vert(CT) -0.00 7 >999 180		
BCLL 0.0 *	Rep Stress Incr YES	WB 0.00	Horz(CT) 0.00 2 n/a n/a		
BCDL 10.0	Code FBC2017/TPI2014	Matrix-MP		Weight: 9 lb	FT = 20%

LUMBER-
TOP CHORD 2x4 SP No.2
BOT CHORD 2x4 SP No.2
WEDGE
Left: 2x4 SP No.3

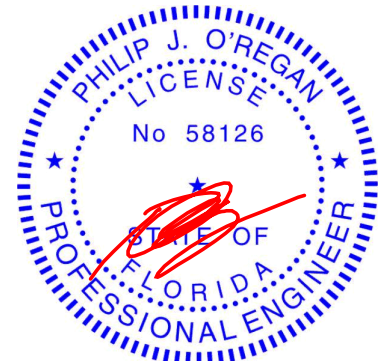
BRACING-
TOP CHORD Structural wood sheathing directly applied or 1-9-7 oc purlins.
BOT CHORD Rigid ceiling directly applied or 10-0-0 oc bracing.

REACTIONS. (size) 3=Mechanical, 2=0-3-8, 4=Mechanical
Max Horz 2=62(LC 12)
Max Uplift 3=23(LC 12), 2=-121(LC 8), 4=-15(LC 9)
Max Grav 3=23(LC 1), 2=181(LC 1), 4=25(LC 3)

FORCES. (lb) - Max. Comp./Max. Ten. - All forces 250 (lb) or less except when shown.

NOTES-

- 1) Wind: ASCE 7-10; Vult=130mph (3-second gust) Vasd=101mph; TCDL=4.2psf; BCDL=3.0psf; h=18ft; Cat. II; Exp C; Encl., GCpi=0.18; MWFRS (envelope) gable end zone and C-C Exterior(2) zone; porch left and right exposed;C-C for members and forces & MWFRS for reactions shown; Lumber DOL=1.60 plate grip DOL=1.60
- 2) This truss has been designed for a 10.0 psf bottom chord live load nonconcurrent with any other live loads.
- 3) * This truss has been designed for a live load of 20.0psf on the bottom chord in all areas where a rectangle 3-6-0 tall by 2-0-0 wide will fit between the bottom chord and any other members.
- 4) Refer to girder(s) for truss to truss connections.
- 5) Provide mechanical connection (by others) of truss to bearing plate capable of withstanding 100 lb uplift at joint(s) 3, 4 except (jt=lb) 2=121.



Philip J. O'Regan PE No.58126
MiTek USA, Inc. FL Cert 6634
6904 Parke East Blvd. Tampa FL 33610
Date:

August 4,2020

WARNING - Verify design parameters and READ NOTES ON THIS AND INCLUDED MITEK REFERENCE PAGE MII-7473 rev. 5/19/2020 BEFORE USE.

Design valid for use only with MiTek® connectors. This design is based only upon parameters shown, and is for an individual building component, not a truss system. Before use, the building designer must verify the applicability of design parameters and properly incorporate this design into the overall building design. Bracing indicated is to prevent buckling of individual truss web and/or chord members only. Additional temporary and permanent bracing is always required for stability and to prevent collapse with possible personal injury and property damage. For general guidance regarding the fabrication, storage, delivery, erection and bracing of trusses and truss systems, see **ANSI/TPI1 Quality Criteria, DSB-89 and BCSI Building Component Safety Information** available from Truss Plate Institute, 2670 Crain Highway, Suite 203 Waldorf, MD 20601



6904 Parke East Blvd.
Tampa, FL 36610

Job 2380539	Truss CJ03	Truss Type Jack-Open	Qty 10	Ply 1	AMIRA BLDRS. - NICEWONGER RES. Job Reference (optional)	T20922627
----------------	---------------	-------------------------	-----------	----------	--	-----------

Builders FirstSource, Jacksonville, FL - 32244,

8.240 s Mar 9 2020 MiTek Industries, Inc. Tue Aug 4 12:59:06 2020 Page 1

ID:aWWYZLKSHCowoxc8cTivEVyrGuq-C1MahH2Q3oVZTPAgT5FuwjudUacPORxv4Int8yrDYJ

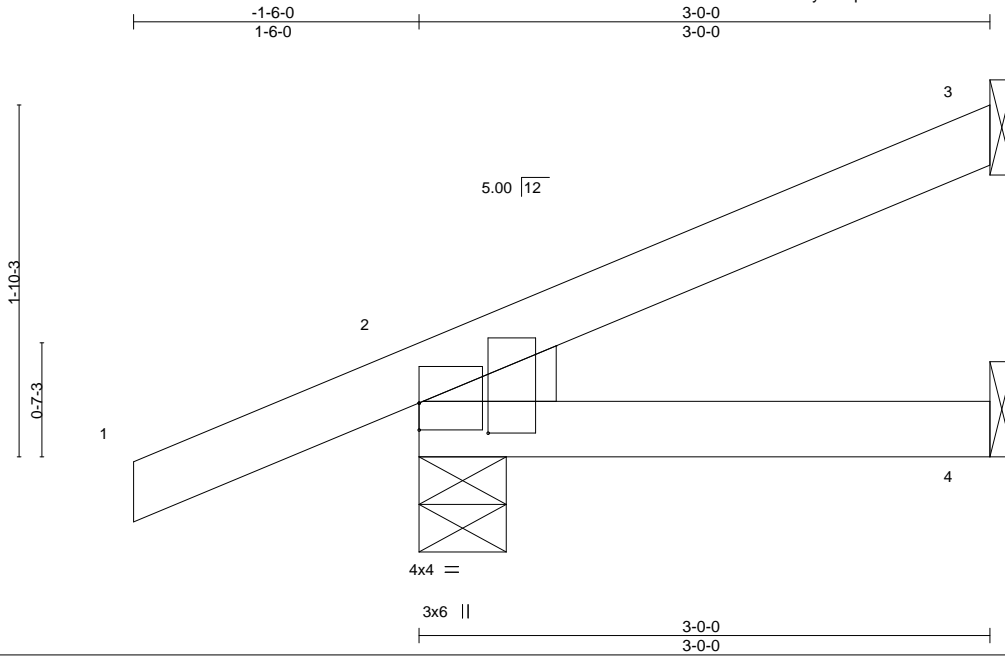


Plate Offsets (X,Y)--	[2:0-0,0,0-1-11], [2:0-1-14,0-4-6]
-----------------------	------------------------------------

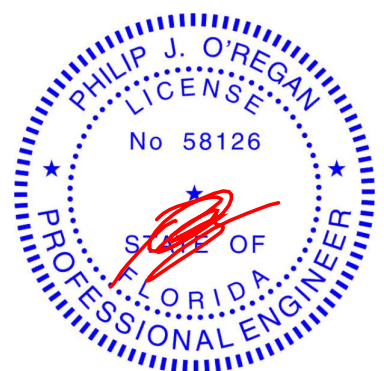
LOADING (psf)	SPACING-	CSI.	DEFL.	PLATES	GRIP
TCLL 20.0	2-0-0	TC 0.16	in (loc) l/def L/d	MT20	244/190
TCDL 7.0	Plate Grip DOL 1.25	BC 0.07	Vert(LL) -0.00 4-7 >999 240		
BCLL 0.0 *	Lumber DOL 1.25	WB 0.00	Vert(CT) -0.01 4-7 >999 180		
BCDL 10.0	Rep Stress Incr YES	Matrix-MP	Horz(CT) 0.00 3 n/a n/a		
	Code FBC2017/TPI2014			Weight: 13 lb	FT = 20%

LUMBER-	BRACING-
TOP CHORD 2x4 SP No.2	TOP CHORD Structural wood sheathing directly applied or 3-0-0 oc purlins.
BOT CHORD 2x4 SP No.2	BOT CHORD Rigid ceiling directly applied or 10-0-0 oc bracing.
WEDGE	
Left: 2x4 SP No.3	

REACTIONS. (size) 3=Mechanical, 2=0-5-8, 4=Mechanical
 Max Horz 2=86(LC 12)
 Max Uplift 3=51(LC 12), 2=98(LC 8), 4=5(LC 12)
 Max Grav 3=58(LC 1), 2=210(LC 1), 4=49(LC 3)

FORCES. (lb) - Max. Comp./Max. Ten. - All forces 250 (lb) or less except when shown.

- NOTES-**
- 1) Wind: ASCE 7-10; Vult=130mph (3-second gust) Vasd=101mph; TCCL=4.2psf; BCDL=3.0psf; h=18ft; Cat. II; Exp C; Encl., GCpi=0.18; MWFRS (envelope) gable end zone and C-C Exterior(2) zone; C-C for members and forces & MWFRS for reactions shown; Lumber DOL=1.60 plate grip DOL=1.60
 - 2) This truss has been designed for a 10.0 psf bottom chord live load nonconcurrent with any other live loads.
 - 3) * This truss has been designed for a live load of 20.0psf on the bottom chord in all areas where a rectangle 3-6-0 tall by 2-0-0 wide will fit between the bottom chord and any other members.
 - 4) Refer to girder(s) for truss to truss connections.
 - 5) Provide mechanical connection (by others) of truss to bearing plate capable of withstanding 100 lb uplift at joint(s) 3, 2, 4.



Philip J. O'Regan PE No.58126
 MiTek USA, Inc. FL Cert 6634
 6904 Parke East Blvd. Tampa FL 33610
 Date:

August 4, 2020

Job 2380539	Truss CJ03B	Truss Type Jack-Open	Qty 3	Ply 1	AMIRA BLDRS. - NICEWONGER RES. Job Reference (optional)	T20922628
----------------	----------------	-------------------------	----------	----------	--	-----------

Builders FirstSource, Jacksonville, FL - 32244,

8.240 s Mar 9 2020 MiTek Industries, Inc. Tue Aug 4 12:59:09 2020 Page 1
ID:aWWYZLKSHCowoxc8CTIvEVyrGuq-cc1iJl4IMju7ksvFYbfyWYLPshbxcNANb2_SUTyrDYG



Scale: 1"=1'

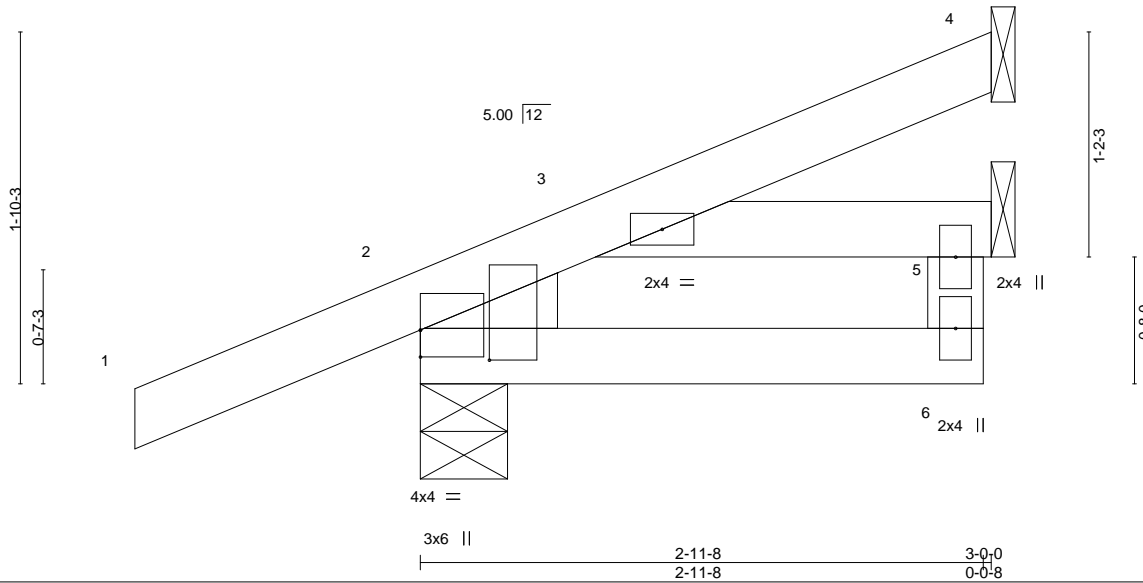


Plate Offsets (X,Y)-- [2:0-0-0,0-1-11], [2:0-1-14,0-4-6]

LOADING (psf)	SPACING-	CSI.	DEFL.	PLATES	GRIP
TCLL 20.0	2-0-0	TC 0.16	in (loc) l/defl L/d	MT20	244/190
TCDL 7.0	Plate Grip DOL 1.25	BC 0.09	Vert(LL) -0.00 9 >999 240		
BCLL 0.0 *	Lumber DOL 1.25	WB 0.00	Vert(CT) -0.00 9 >999 180		
BCDL 10.0	Rep Stress Incr YES	Matrix-MR	Horz(CT) 0.00 5 n/a n/a		
	Code FBC2017/TPI2014			Weight: 17 lb	FT = 20%

LUMBER-

TOP CHORD 2x4 SP No.2
BOT CHORD 2x4 SP No.2 *Except*
5-6: 2x4 SP No.3

BRACING-

TOP CHORD Structural wood sheathing directly applied or 3-0-0 oc purlins.
BOT CHORD Rigid ceiling directly applied or 10-0-0 oc bracing.

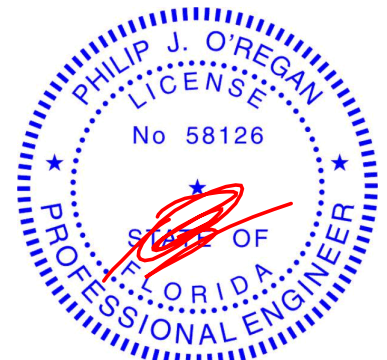
WEDGE
Left: 2x4 SP No.3

REACTIONS. (size) 4=Mechanical, 2=0-5-8, 5=Mechanical
Max Horz 2=86(LC 12)
Max Uplift 4=-32(LC 12), 2=-94(LC 8), 5=-19(LC 12)
Max Grav 4=38(LC 1), 2=221(LC 1), 5=108(LC 3)

FORCES. (lb) - Max. Comp./Max. Ten. - All forces 250 (lb) or less except when shown.

NOTES-

- 1) Wind: ASCE 7-10; Vult=130mph (3-second gust) Vasd=101mph; TCCL=4.2psf; BCDL=3.0psf; h=18ft; Cat. II; Exp C; Encl., GCpi=0.18; MWFRS (envelope) gable end zone and C-C Exterior(2) zone; C-C for members and forces & MWFRS for reactions shown; Lumber DOL=1.60 plate grip DOL=1.60
- 2) This truss has been designed for a 10.0 psf bottom chord live load nonconcurrent with any other live loads.
- 3) * This truss has been designed for a live load of 20.0psf on the bottom chord in all areas where a rectangle 3-6-0 tall by 2-0-0 wide will fit between the bottom chord and any other members.
- 4) Refer to girder(s) for truss to truss connections.
- 5) Provide mechanical connection (by others) of truss to bearing plate capable of withstanding 100 lb uplift at joint(s) 4, 2, 5.



Philip J. O'Regan PE No.58126
MiTek USA, Inc. FL Cert 6634
6904 Parke East Blvd. Tampa FL 33610
Date:

August 4, 2020

WARNING - Verify design parameters and READ NOTES ON THIS AND INCLUDED MITEK REFERENCE PAGE MII-7473 rev. 5/19/2020 BEFORE USE.

Design valid for use only with MiTek® connectors. This design is based only upon parameters shown, and is for an individual building component, not a truss system. Before use, the building designer must verify the applicability of design parameters and properly incorporate this design into the overall building design. Bracing indicated is to prevent buckling of individual truss web and/or chord members only. Additional temporary and permanent bracing is always required for stability and to prevent collapse with possible personal injury and property damage. For general guidance regarding the fabrication, storage, delivery, erection and bracing of trusses and truss systems, see **ANSI/TPI1 Quality Criteria, DSB-89 and BCSI Building Component Safety Information** available from Truss Plate Institute, 2670 Crain Highway, Suite 203 Waldorf, MD 20601



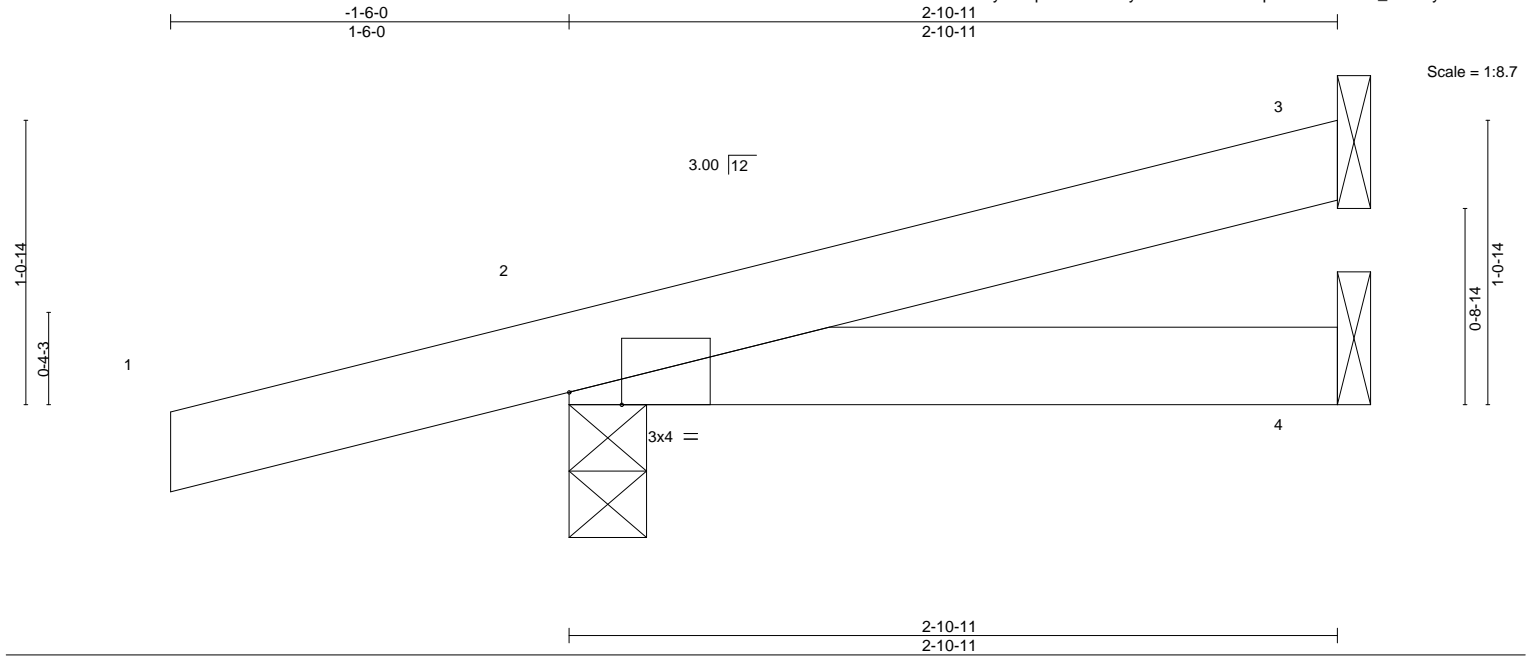
6904 Parke East Blvd.
Tampa, FL 36610

Job 2380539	Truss CJ03C	Truss Type Jack-Open	Qty 1	Ply 1	AMIRA BLDRS. - NICEWONGER RES. Job Reference (optional)	T20922629
----------------	----------------	-------------------------	----------	----------	--	-----------

Builders FirstSource, Jacksonville, FL - 32244,

8.240 s Mar 9 2020 MiTek Industries, Inc. Tue Aug 4 12:59:15 2020 Page 1

ID:aWWYZLKSHCowoxc8cTlvEVyrGuq-RmOzaL93yZeHSnMPvsmMlpbQd6eY04fGz_Rmh7yrDYA



LOADING (psf)	SPACING-	CSI.	DEFL.	PLATES	GRIP
TCLL 20.0	2-0-0	TC 0.14	in (loc) l/def L/d	MT20	244/190
TCDL 7.0	Plate Grip DOL 1.25	BC 0.08	Vert(LL) 0.01 4-7 >999 240		
BCLL 0.0 *	Lumber DOL 1.25	WB 0.00	Vert(CT) 0.01 4-7 >999 180		
BCDL 10.0	Rep Stress Incr YES	Matrix-MP	Horz(CT) -0.00 3 n/a n/a		
	Code FBC2017/TPI2014			Weight: 11 lb	FT = 20%

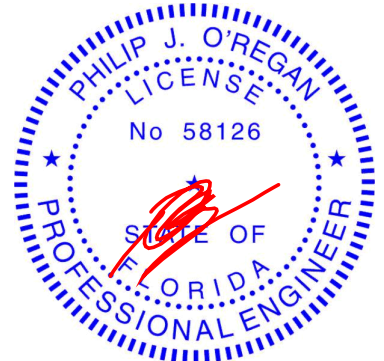
LUMBER-	BRACING-
TOP CHORD 2x4 SP No.2	TOP CHORD Structural wood sheathing directly applied or 2-10-11 oc purlins.
BOT CHORD 2x4 SP No.2	BOT CHORD Rigid ceiling directly applied or 10-0-0 oc bracing.

REACTIONS. (size) 3=Mechanical, 2=0-3-8, 4=Mechanical
 Max Horz 2=59(LC 8)
 Max Uplift 3=41(LC 8), 2=-185(LC 8), 4=-24(LC 9)
 Max Grav 3=54(LC 1), 2=207(LC 1), 4=45(LC 3)

FORCES. (lb) - Max. Comp./Max. Ten. - All forces 250 (lb) or less except when shown.

NOTES-

- 1) Wind: ASCE 7-10; Vult=130mph (3-second gust) Vasd=101mph; TCCL=4.2psf; BCDL=3.0psf; h=18ft; Cat. II; Exp C; Encl., GCpi=0.18; MWFRS (envelope) gable end zone and C-C Exterior(2) zone; porch left and right exposed; C-C for members and forces & MWFRS for reactions shown; Lumber DOL=1.60 plate grip DOL=1.60
- 2) This truss has been designed for a 10.0 psf bottom chord live load nonconcurrent with any other live loads.
- 3) * This truss has been designed for a live load of 20.0psf on the bottom chord in all areas where a rectangle 3-6-0 tall by 2-0-0 wide will fit between the bottom chord and any other members.
- 4) Refer to girder(s) for truss to truss connections.
- 5) Provide mechanical connection (by others) of truss to bearing plate capable of withstanding 100 lb uplift at joint(s) 3, 4 except (jt=lb) 2=185.



Philip J. O'Regan PE No.58126
 MiTek USA, Inc. FL Cert 6634
 6904 Parke East Blvd. Tampa FL 33610
 Date:

August 4, 2020

Job 2380539	Truss CJ03D	Truss Type Jack-Open	Qty 4	Ply 1	AMIRA BLDRS. - NICEWONGER RES. T20922630 Job Reference (optional)
----------------	----------------	-------------------------	----------	----------	---

Builders FirstSource, Jacksonville, FL - 32244,

8.240 s Mar 9 2020 MiTek Industries, Inc. Tue Aug 4 12:59:31 2020 Page 1

ID:aWWYZLKSHCowoxc8cTlvEVyrGuq-zrM0wqL5BUf0NFaUrD26PBG9JZ6mmKddfTJcECyrDXw



Scale: 1"=1'

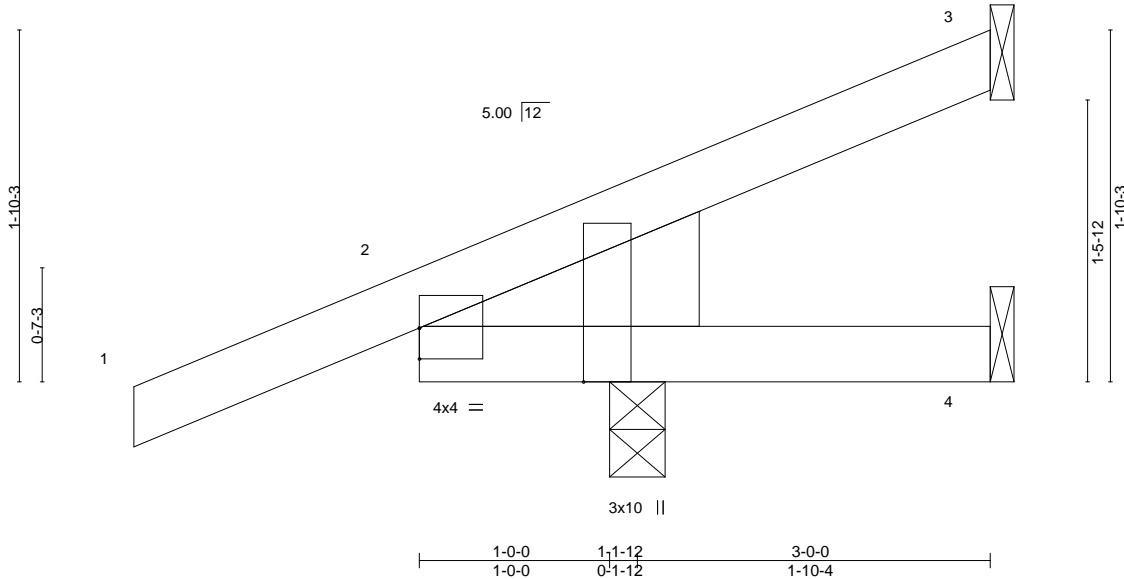


Plate Offsets (X,Y)--	[2:0-0-0,0-1-15], [2:0-3-6,Edge]
-----------------------	----------------------------------

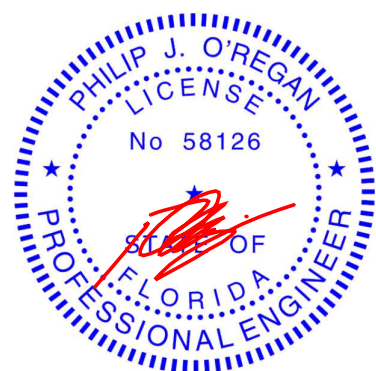
LOADING (psf)	SPACING-	2-0-0	CSI.	DEFL.	in (loc)	l/defl	L/d	PLATES	GRIP	
TCLL 20.0	Plate Grip DOL	1.25	TC 0.16	Vert(LL)	-0.01	5	>999	240	MT20	244/190
TCDL 7.0	Lumber DOL	1.25	BC 0.11	Vert(CT)	-0.01	5	>999	180		
BCLL 0.0 *	Rep Stress Incr	YES	WB 0.00	Horz(CT)	-0.00	3	n/a	n/a		
BCDL 10.0	Code	FBC2017/TPI2014	Matrix-MP							
									Weight: 16 lb	FT = 20%

LUMBER-	BRACING-
TOP CHORD 2x4 SP No.2	TOP CHORD Structural wood sheathing directly applied or 3-0-0 oc purlins.
BOT CHORD 2x4 SP No.2	BOT CHORD Rigid ceiling directly applied or 10-0-0 oc bracing.
WEDGE	
Left: 2x8 SP 2400F 2.0E	

REACTIONS. (size) 3=Mechanical, 4=Mechanical, 2=0-3-8
 Max Horz 2=86(LC 12)
 Max Uplift 3=-20(LC 12), 4=-21(LC 1), 2=-200(LC 8)
 Max Grav 3=3(LC 17), 4=23(LC 16), 2=319(LC 1)

FORCES. (lb) - Max. Comp./Max. Ten. - All forces 250 (lb) or less except when shown.

- NOTES-**
- 1) Wind: ASCE 7-10; Vult=130mph (3-second gust) Vasd=101mph; TCDL=4.2psf; BCDL=3.0psf; h=18ft; Cat. II; Exp C; Encl., GCpi=0.18; MWFRS (envelope) gable end zone and C-C Exterior(2) zone; cantilever left exposed; porch left and right exposed; C-C for members and forces & MWFRS for reactions shown; Lumber DOL=1.60 plate grip DOL=1.60
 - 2) This truss has been designed for a 10.0 psf bottom chord live load nonconcurrent with any other live loads.
 - 3) * This truss has been designed for a live load of 20.0psf on the bottom chord in all areas where a rectangle 3-6-0 tall by 2-0-0 wide will fit between the bottom chord and any other members.
 - 4) Refer to girder(s) for truss to truss connections.
 - 5) Provide mechanical connection (by others) of truss to bearing plate capable of withstanding 100 lb uplift at joint(s) 3, 4 except (jt=lb) 2=200.



Philip J. O'Regan PE No.58126
 MiTek USA, Inc. FL Cert 6634
 6904 Parke East Blvd. Tampa FL 33610
 Date:

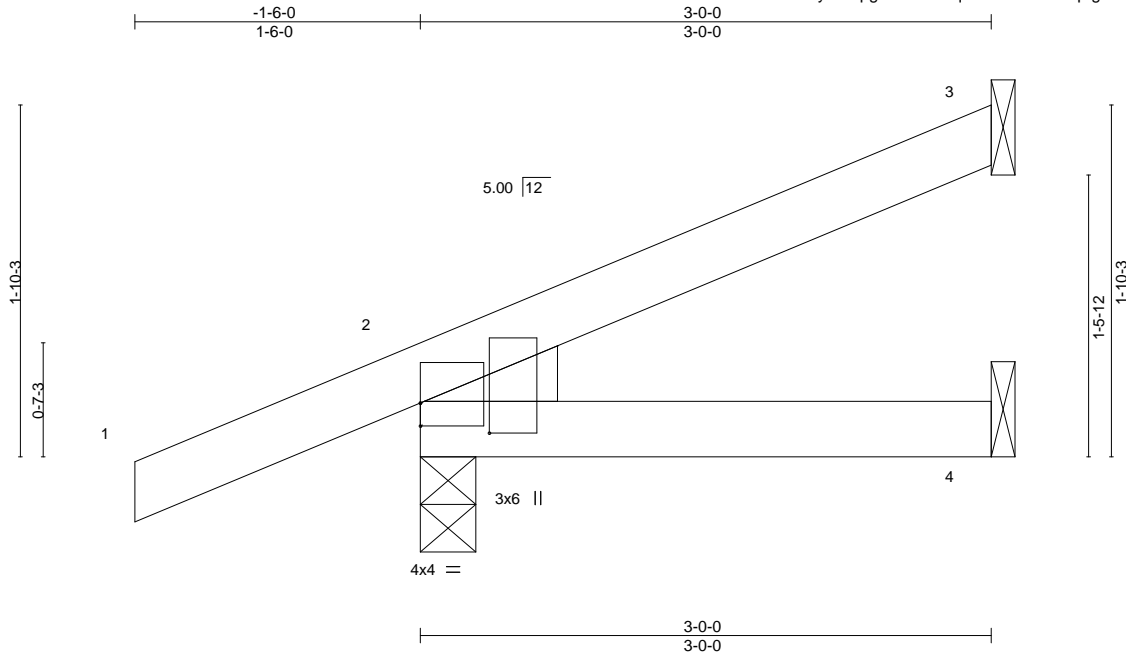
August 4, 2020

Job 2380539	Truss CJ03F	Truss Type Jack-Open	Qty 1	Ply 1	AMIRA BLDRS. - NICEWONGER RES. Job Reference (optional)	T20922631
----------------	----------------	-------------------------	----------	----------	--	-----------

Builders FirstSource, Jacksonville, FL - 32244,

8.240 s Mar 9 2020 MiTek Industries, Inc. Tue Aug 4 12:59:41 2020 Page 1

ID:aWWYZLKSHCowoxc8cTlVEVyrGuq-gmzo1ETNqYwbanLPQJESplgtbnWA6r5y1k8bdyrDXm



Scale: 1"=1'

Plate Offsets (X,Y)--	[2:0-0,0,0-1-7], [2:0-1-14,0-4-6]				
LOADING (psf)	SPACING- 2-0-0	CSI.	DEFL. in (loc) l/def L/d	PLATES	GRIP
TCLL 20.0	Plate Grip DOL 1.25	TC 0.16	Vert(LL) 0.01 4-7 >999 240	MT20	244/190
TCDL 7.0	Lumber DOL 1.25	BC 0.11	Vert(CT) -0.01 4-7 >999 180		
BCLL 0.0 *	Rep Stress Incr YES	WB 0.00	Horz(CT) -0.00 3 n/a n/a		
BCDL 10.0	Code FBC2017/TPI2014	Matrix-MP		Weight: 13 lb	FT = 20%

LUMBER-
TOP CHORD 2x4 SP No.2
BOT CHORD 2x4 SP No.2
WEDGE
Left: 2x4 SP No.3

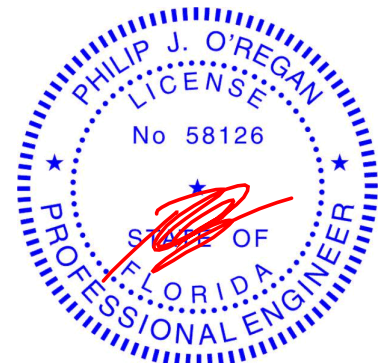
BRACING-
TOP CHORD Structural wood sheathing directly applied or 3-0-0 oc purlins.
BOT CHORD Rigid ceiling directly applied or 10-0-0 oc bracing.

REACTIONS. (size) 3=Mechanical, 2=0-3-8, 4=Mechanical
Max Horz 2=86(LC 12)
Max Uplift 3=51(LC 12), 2=132(LC 8), 4=28(LC 9)
Max Grav 3=58(LC 1), 2=210(LC 1), 4=49(LC 3)

FORCES. (lb) - Max. Comp./Max. Ten. - All forces 250 (lb) or less except when shown.

NOTES-

- 1) Wind: ASCE 7-10; Vult=130mph (3-second gust) Vasd=101mph; TCDL=4.2psf; BCDL=3.0psf; h=18ft; Cat. II; Exp C; Encl., GCpi=0.18; MWFRS (envelope) gable end zone and C-C Exterior(2) zone; porch left and right exposed;C-C for members and forces & MWFRS for reactions shown; Lumber DOL=1.60 plate grip DOL=1.60
- 2) This truss has been designed for a 10.0 psf bottom chord live load nonconcurrent with any other live loads.
- 3) * This truss has been designed for a live load of 20.0psf on the bottom chord in all areas where a rectangle 3-6-0 tall by 2-0-0 wide will fit between the bottom chord and any other members.
- 4) Refer to girder(s) for truss to truss connections.
- 5) Provide mechanical connection (by others) of truss to bearing plate capable of withstanding 100 lb uplift at joint(s) 3, 4 except (jt=lb) 2=132.



Philip J. O'Regan PE No.58126
MiTek USA, Inc. FL Cert 6634
6904 Parke East Blvd. Tampa FL 33610
Date:

August 4,2020

WARNING - Verify design parameters and READ NOTES ON THIS AND INCLUDED MITEK REFERENCE PAGE MII-7473 rev. 5/19/2020 BEFORE USE.

Design valid for use only with MiTek® connectors. This design is based only upon parameters shown, and is for an individual building component, not a truss system. Before use, the building designer must verify the applicability of design parameters and properly incorporate this design into the overall building design. Bracing indicated is to prevent buckling of individual truss web and/or chord members only. Additional temporary and permanent bracing is always required for stability and to prevent collapse with possible personal injury and property damage. For general guidance regarding the fabrication, storage, delivery, erection and bracing of trusses and truss systems, see **ANSI/TPI1 Quality Criteria, DSB-89 and BCSI Building Component Safety Information** available from Truss Plate Institute, 2670 Crain Highway, Suite 203 Waldorf, MD 20601



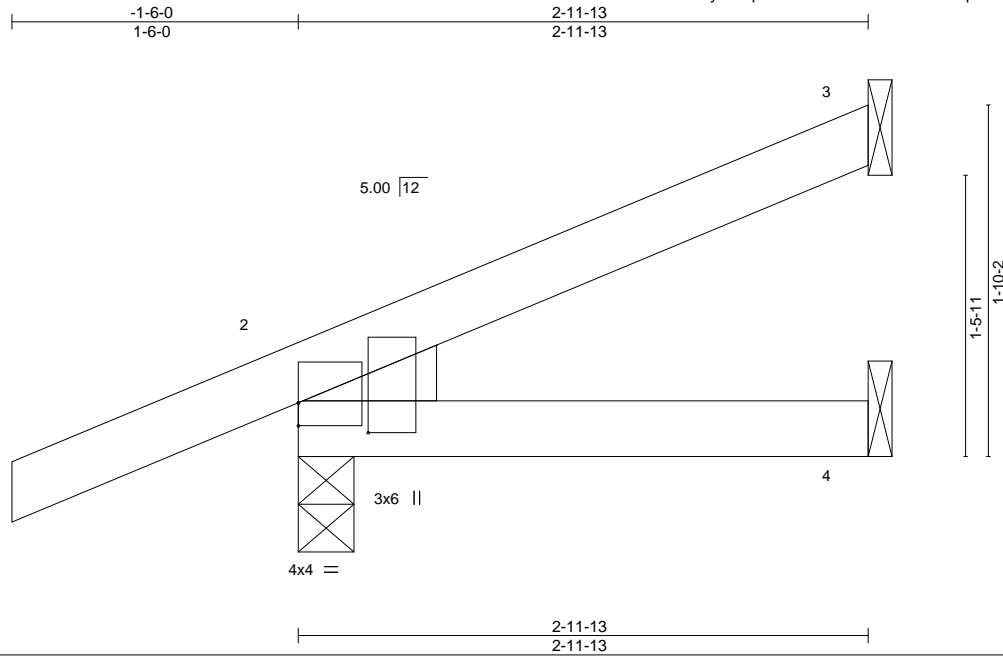
6904 Parke East Blvd.
Tampa, FL 36610

Job 2380539	Truss CJ04	Truss Type Jack-Open	Qty 1	Ply 1	AMIRA BLDRS. - NICEWONGER RES. Job Reference (optional)	T20922632
----------------	---------------	-------------------------	----------	----------	--	-----------

Builders FirstSource, Jacksonville, FL - 32244,

8.240 s Mar 9 2020 MiTek Industries, Inc. Tue Aug 4 12:59:53 2020 Page 1

ID:aWWYZLKSHCowoxc8cTlVEVyrGuq-K4hLYLcv?EQu0dGi7rRGlqAwlRc0wG4sjuen0wyrDXa



Scale: 1"=1'

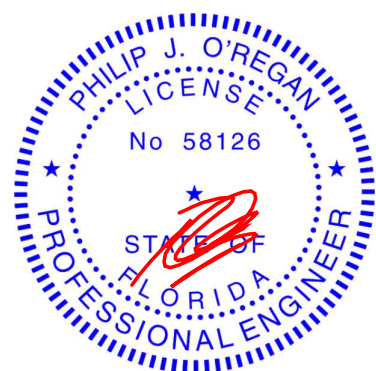
Plate Offsets (X,Y)--	[2:0-0,0-0-1-7], [2:0-1-14,0-4-6]				
LOADING (psf)	SPACING- 2-0-0	CSI.	DEFL. in (loc) l/def L/d	PLATES	GRIP
TCLL 20.0	Plate Grip DOL 1.25	TC 0.16	Vert(LL) 0.01 4-7 >999 240	MT20	244/190
TCDL 7.0	Lumber DOL 1.25	BC 0.11	Vert(CT) -0.01 4-7 >999 180		
BCLL 0.0 *	Rep Stress Incr YES	WB 0.00	Horz(CT) -0.00 3 n/a n/a		
BCDL 10.0	Code FBC2017/TPI2014	Matrix-MP		Weight: 13 lb	FT = 20%

LUMBER-	BRACING-
TOP CHORD 2x4 SP No.2	TOP CHORD Structural wood sheathing directly applied or 2-11-13 oc purlins.
BOT CHORD 2x4 SP No.2	BOT CHORD Rigid ceiling directly applied or 10-0-0 oc bracing.
WEDGE	
Left: 2x4 SP No.3	

REACTIONS. (size) 3=Mechanical, 2=0-3-8, 4=Mechanical
 Max Horz 2=85(LC 12)
 Max Uplift 3=51(LC 12), 2=-132(LC 8), 4=-28(LC 9)
 Max Grav 3=58(LC 1), 2=210(LC 1), 4=48(LC 3)

FORCES. (lb) - Max. Comp./Max. Ten. - All forces 250 (lb) or less except when shown.

- NOTES-**
- 1) Wind: ASCE 7-10; Vult=130mph (3-second gust) Vasd=101mph; TCdL=4.2psf; BCdL=3.0psf; h=18ft; Cat. II; Exp C; Encl., GCpi=0.18; MWFRS (envelope) gable end zone and C-C Exterior(2) zone; porch left and right exposed;C-C for members and forces & MWFRS for reactions shown; Lumber DOL=1.60 plate grip DOL=1.60
 - 2) This truss has been designed for a 10.0 psf bottom chord live load nonconcurrent with any other live loads.
 - 3) * This truss has been designed for a live load of 20.0psf on the bottom chord in all areas where a rectangle 3-6-0 tall by 2-0-0 wide will fit between the bottom chord and any other members.
 - 4) Refer to girder(s) for truss to truss connections.
 - 5) Provide mechanical connection (by others) of truss to bearing plate capable of withstanding 100 lb uplift at joint(s) 3, 4 except (jt=lb) 2=132.



Philip J. O'Regan PE No.58126
 MiTek USA, Inc. FL Cert 6634
 6904 Parke East Blvd. Tampa FL 33610
 Date:

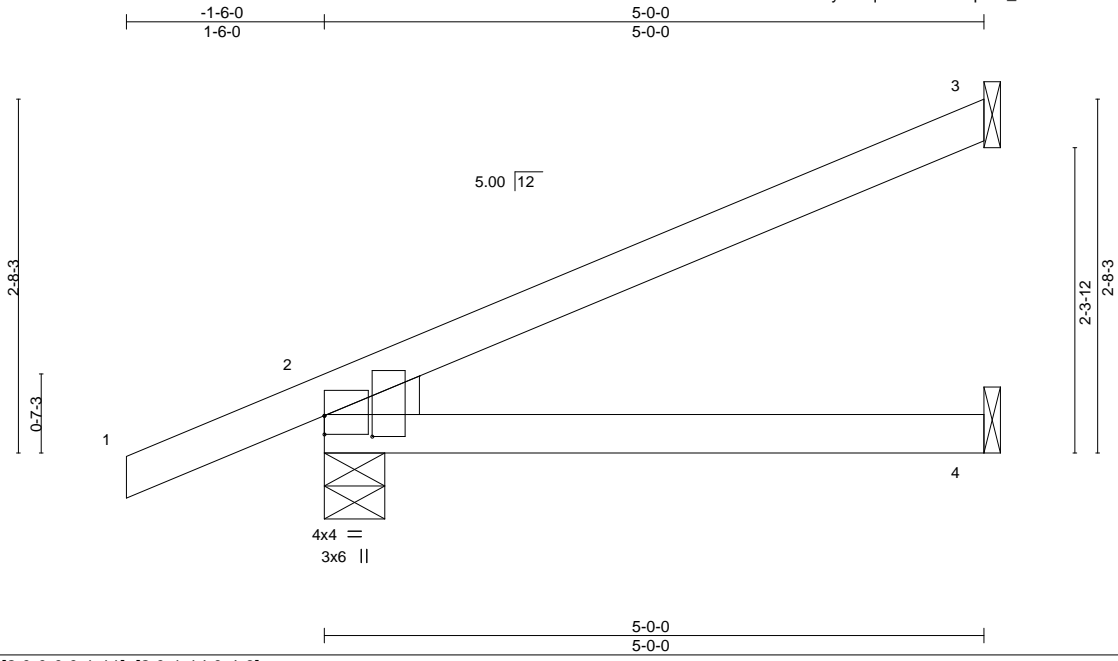
August 4,2020

Job 2380539	Truss CJ05	Truss Type Jack-Open	Qty 10	Ply 1	AMIRA BLDRS. - NICEWONGER RES. Job Reference (optional)	T20922633
----------------	---------------	-------------------------	-----------	----------	--	-----------

Builders FirstSource, Jacksonville, FL - 32244,

8.240 s Mar 9 2020 MiTek Industries, Inc. Tue Aug 4 12:59:56 2020 Page 1

ID:aWWYZLKSHCowoxc8cTivEVyrGuq-kfNTANenl9pTt5_Hoz?zwToP6ebL7dpIPssRdFyrDXX



Scale = 1:17.5

Plate Offsets (X,Y)--	[2:0-0-0,0-1-11], [2:0-1-14,0-4-6]				
LOADING (psf)	SPACING- 2-0-0	CSI.	DEFL. in (loc) l/def L/d	PLATES	GRIP
TCLL 20.0	Plate Grip DOL 1.25	TC 0.28	Vert(LL) 0.04 4-7 >999 240	MT20	244/190
TCDL 7.0	Lumber DOL 1.25	BC 0.26	Vert(CT) -0.05 4-7 >999 180		
BCLL 0.0 *	Rep Stress Incr YES	WB 0.00	Horz(CT) 0.01 3 n/a n/a		
BCDL 10.0	Code FBC2017/TPI2014	Matrix-MP		Weight: 19 lb	FT = 20%

LUMBER-
TOP CHORD 2x4 SP No.2
BOT CHORD 2x4 SP No.2
WEDGE
Left: 2x4 SP No.3

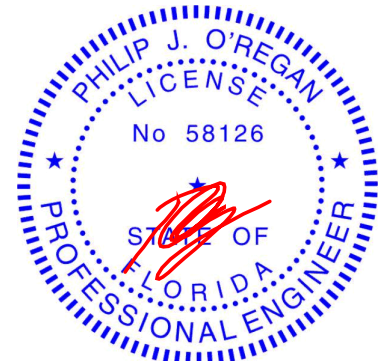
BRACING-
TOP CHORD Structural wood sheathing directly applied or 5-0-0 oc purlins.
BOT CHORD Rigid ceiling directly applied or 10-0-0 oc bracing.

REACTIONS. (size) 3=Mechanical, 2=0-5-8, 4=Mechanical
Max Horz 2=126(LC 12)
Max Uplift 3=95(LC 12), 2=-115(LC 12), 4=-8(LC 12)
Max Grav 3=112(LC 1), 2=276(LC 1), 4=87(LC 3)

FORCES. (lb) - Max. Comp./Max. Ten. - All forces 250 (lb) or less except when shown.

NOTES-

- 1) Wind: ASCE 7-10; Vult=130mph (3-second gust) Vasd=101mph; TCDL=4.2psf; BCDL=3.0psf; h=18ft; Cat. II; Exp C; Encl., GCpi=0.18; MWFRS (envelope) gable end zone and C-C Exterior(2) zone; C-C for members and forces & MWFRS for reactions shown; Lumber DOL=1.60 plate grip DOL=1.60
- 2) This truss has been designed for a 10.0 psf bottom chord live load nonconcurrent with any other live loads.
- 3) * This truss has been designed for a live load of 20.0psf on the bottom chord in all areas where a rectangle 3-6-0 tall by 2-0-0 wide will fit between the bottom chord and any other members.
- 4) Refer to girder(s) for truss to truss connections.
- 5) Provide mechanical connection (by others) of truss to bearing plate capable of withstanding 100 lb uplift at joint(s) 3, 4 except (jt=lb) 2=115.



Philip J. O'Regan PE No.58126
MiTek USA, Inc. FL Cert 6634
6904 Parke East Blvd. Tampa FL 33610
Date:

August 4, 2020

WARNING - Verify design parameters and READ NOTES ON THIS AND INCLUDED MITEK REFERENCE PAGE MII-7473 rev. 5/19/2020 BEFORE USE.

Design valid for use only with MiTek® connectors. This design is based only upon parameters shown, and is for an individual building component, not a truss system. Before use, the building designer must verify the applicability of design parameters and properly incorporate this design into the overall building design. Bracing indicated is to prevent buckling of individual truss web and/or chord members only. Additional temporary and permanent bracing is always required for stability and to prevent collapse with possible personal injury and property damage. For general guidance regarding the fabrication, storage, delivery, erection and bracing of trusses and truss systems, see **ANSI/TPI1 Quality Criteria, DSB-89 and BCSI Building Component Safety Information** available from Truss Plate Institute, 2670 Crain Highway, Suite 203 Waldorf, MD 20601



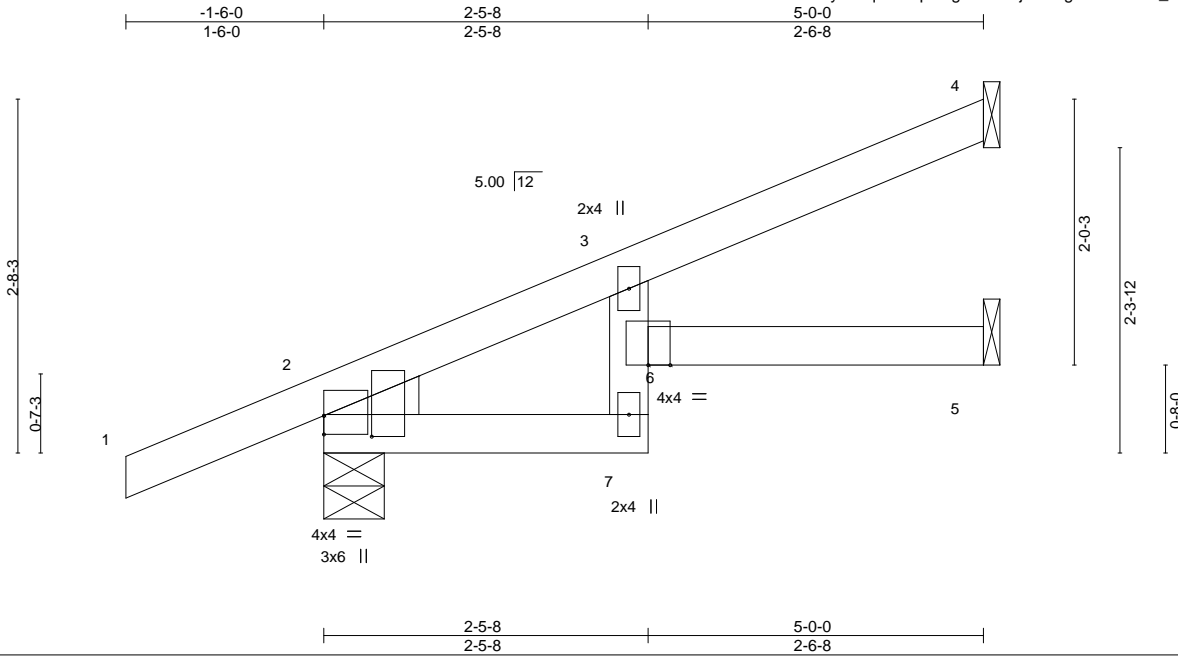
6904 Parke East Blvd.
Tampa, FL 36610

Job 2380539	Truss CJ05A	Truss Type Jack-Open	Qty 1	Ply 1	AMIRA BLDRS. - NICEWONGER RES. Job Reference (optional)	T20922634
----------------	----------------	-------------------------	----------	----------	--	-----------

Builders FirstSource, Jacksonville, FL - 32244,

8.240 s Mar 9 2020 MiTek Industries, Inc. Tue Aug 4 12:59:59 2020 Page 1

ID:aWWYZLKSHCowoxc8cTlvEVyrGuq-9E3cpOhgb4B1kYjsU5YgX5Qxhrcok_Zk5q55EayrDXU



Scale = 1:17.5

Plate Offsets (X,Y)--	[2:0-0-0,0-1-11], [2:0-1-14,0-4-6]				
LOADING (psf)	SPACING- 2-0-0	CSI.	DEFL. in (loc) l/defl L/d	PLATES	GRIP
TCLL 20.0	Plate Grip DOL 1.25	TC 0.20	Vert(LL) 0.04 5-6 >999 240	MT20	244/190
TCDL 7.0	Lumber DOL 1.25	BC 0.28	Vert(CT) -0.04 5-6 >999 180		
BCLL 0.0 *	Rep Stress Incr YES	WB 0.00	Horz(CT) 0.01 5 n/a n/a		
BCDL 10.0	Code FBC2017/TPI2014	Matrix-MR		Weight: 21 lb	FT = 20%

LUMBER-
 TOP CHORD 2x4 SP No.2
 BOT CHORD 2x4 SP No.2 *Except*
 3-7: 2x4 SP No.3

BRACING-
 TOP CHORD Structural wood sheathing directly applied or 5-0-0 oc purlins.
 BOT CHORD Rigid ceiling directly applied or 10-0-0 oc bracing.

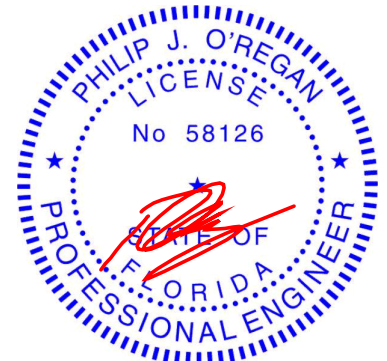
WEDGE
 Left: 2x4 SP No.3

REACTIONS. (size) 4=Mechanical, 2=0-5-8, 5=Mechanical
 Max Horz 2=126(LC 12)
 Max Uplift 4=-78(LC 12), 2=-115(LC 12), 5=-26(LC 12)
 Max Grav 4=99(LC 1), 2=276(LC 1), 5=82(LC 3)

FORCES. (lb) - Max. Comp./Max. Ten. - All forces 250 (lb) or less except when shown.

NOTES-

- 1) Wind: ASCE 7-10; Vult=130mph (3-second gust) Vasd=101mph; TCCL=4.2psf; BCDL=3.0psf; h=18ft; Cat. II; Exp C; Encl., GCpi=0.18; MWFRS (envelope) gable end zone and C-C Exterior(2) zone; C-C for members and forces & MWFRS for reactions shown; Lumber DOL=1.60 plate grip DOL=1.60
- 2) This truss has been designed for a 10.0 psf bottom chord live load nonconcurrent with any other live loads.
- 3) * This truss has been designed for a live load of 20.0psf on the bottom chord in all areas where a rectangle 3-6-0 tall by 2-0-0 wide will fit between the bottom chord and any other members.
- 4) Refer to girder(s) for truss to truss connections.
- 5) Provide mechanical connection (by others) of truss to bearing plate capable of withstanding 100 lb uplift at joint(s) 4, 5 except (jt=lb) 2=115.



Philip J. O'Regan PE No.58126
 MiTek USA, Inc. FL Cert 6634
 6904 Parke East Blvd. Tampa FL 33610
 Date:

August 4, 2020

WARNING - Verify design parameters and READ NOTES ON THIS AND INCLUDED MITEK REFERENCE PAGE MII-7473 rev. 5/19/2020 BEFORE USE.

Design valid for use only with MiTek® connectors. This design is based only upon parameters shown, and is for an individual building component, not a truss system. Before use, the building designer must verify the applicability of design parameters and properly incorporate this design into the overall building design. Bracing indicated is to prevent buckling of individual truss web and/or chord members only. Additional temporary and permanent bracing is always required for stability and to prevent collapse with possible personal injury and property damage. For general guidance regarding the fabrication, storage, delivery, erection and bracing of trusses and truss systems, see **ANSI/TPI1 Quality Criteria, DSB-89 and BCSI Building Component Safety Information** available from Truss Plate Institute, 2670 Crain Highway, Suite 203 Waldorf, MD 20601



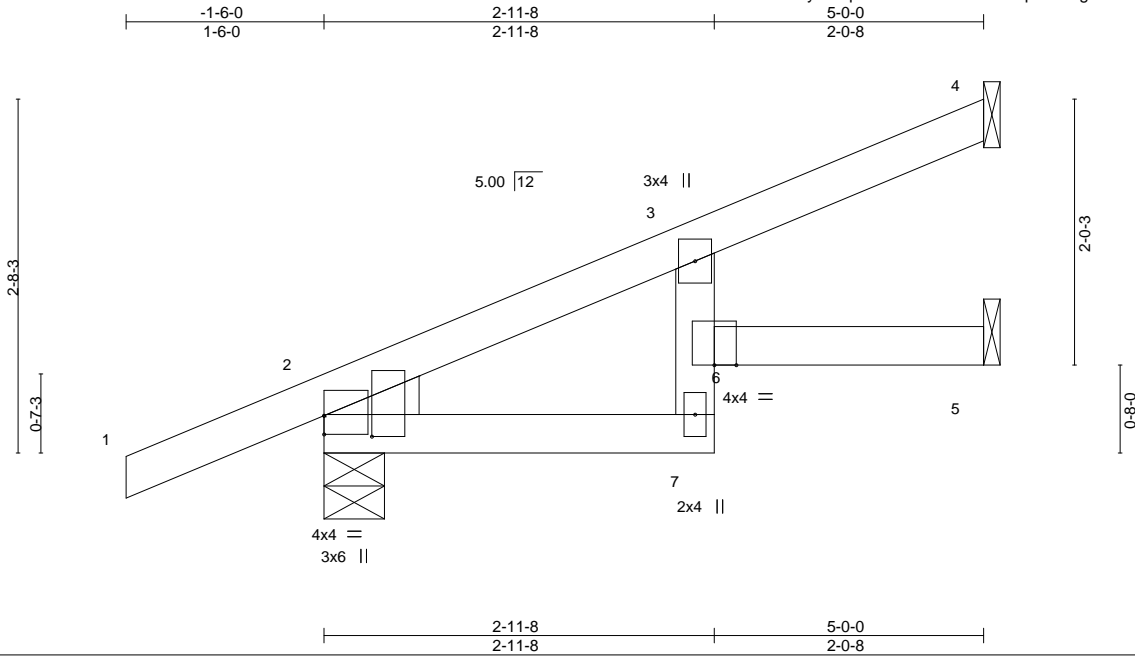
6904 Parke East Blvd.
 Tampa, FL 33610

Job 2380539	Truss CJ05B	Truss Type Jack-Open	Qty 3	Ply 1	AMIRA BLDRS. - NICEWONGER RES. Job Reference (optional)	T20922635
----------------	----------------	-------------------------	----------	----------	--	-----------

Builders FirstSource, Jacksonville, FL - 32244,

8.240 s Mar 9 2020 MiTek Industries, Inc. Tue Aug 4 13:00:05 2020 Page 1

ID:aWWYZLKSHCowoxc8cTlvEVyrGuq-zOQt3SIQAwxBSTB0qMf4nMgzdGfTki2dTmYPREYrDXO



Scale = 1:17.5

Plate Offsets (X,Y)--	[2:0-0-0,0-1-11], [2:0-1-14,0-4-6]				
LOADING (psf)	SPACING- 2-0-0	CSI.	DEFL. in (loc) l/def L/d	PLATES	GRIP
TCLL 20.0	Plate Grip DOL 1.25	TC 0.17	Vert(LL) 0.03 6 >999 240	MT20	244/190
TCDL 7.0	Lumber DOL 1.25	BC 0.26	Vert(CT) -0.03 5-6 >999 180		
BCLL 0.0 *	Rep Stress Incr YES	WB 0.00	Horz(CT) 0.01 5 n/a n/a		
BCDL 10.0	Code FBC2017/TPI2014	Matrix-MR		Weight: 21 lb	FT = 20%

LUMBER-
TOP CHORD 2x4 SP No.2
BOT CHORD 2x4 SP No.2 *Except*
3-7: 2x4 SP No.3

BRACING-
TOP CHORD Structural wood sheathing directly applied or 5-0-0 oc purlins.
BOT CHORD Rigid ceiling directly applied or 10-0-0 oc bracing.

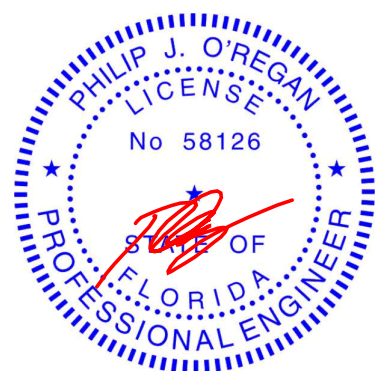
WEDGE
Left: 2x4 SP No.3

REACTIONS. (size) 4=Mechanical, 2=0-5-8, 5=Mechanical
Max Horz 2=126(LC 12)
Max Uplift 4=-70(LC 12), 2=-115(LC 12), 5=-33(LC 12)
Max Grav 4=93(LC 1), 2=276(LC 1), 5=82(LC 3)

FORCES. (lb) - Max. Comp./Max. Ten. - All forces 250 (lb) or less except when shown.

NOTES-

- 1) Wind: ASCE 7-10; Vult=130mph (3-second gust) Vasd=101mph; TCCL=4.2psf; BCDL=3.0psf; h=18ft; Cat. II; Exp C; Encl., GCpi=0.18; MWFRS (envelope) gable end zone and C-C Exterior(2) zone; C-C for members and forces & MWFRS for reactions shown; Lumber DOL=1.60 plate grip DOL=1.60
- 2) This truss has been designed for a 10.0 psf bottom chord live load nonconcurrent with any other live loads.
- 3) * This truss has been designed for a live load of 20.0psf on the bottom chord in all areas where a rectangle 3-6-0 tall by 2-0-0 wide will fit between the bottom chord and any other members.
- 4) Refer to girder(s) for truss to truss connections.
- 5) Provide mechanical connection (by others) of truss to bearing plate capable of withstanding 100 lb uplift at joint(s) 4, 5 except (jt=lb) 2=115.



Philip J. O'Regan PE No.58126
MiTek USA, Inc. FL Cert 6634
6904 Parke East Blvd. Tampa FL 33610
Date:

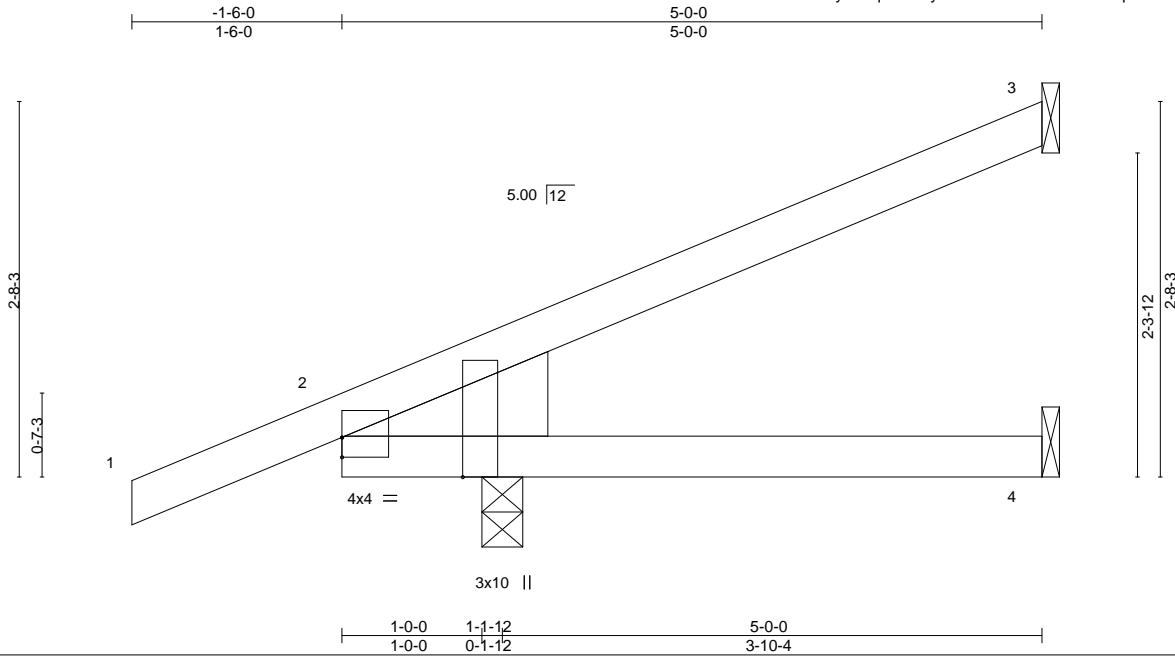
August 4, 2020

Job 2380539	Truss CJ05D	Truss Type Jack-Open	Qty 2	Ply 1	AMIRA BLDRS. - NICEWONGER RES. Job Reference (optional)	T20922636
----------------	----------------	-------------------------	----------	----------	--	-----------

Builders FirstSource, Jacksonville, FL - 32244,

8.240 s Mar 9 2020 MiTek Industries, Inc. Tue Aug 4 13:00:14 2020 Page 1

ID:aWWYZLKSHCcowoxc8cTivEVyrGuq-D7THyXs42h4v1sNlslKBeGYVqumiLmGyYgDOGCYrDXF



Scale = 1:16.5

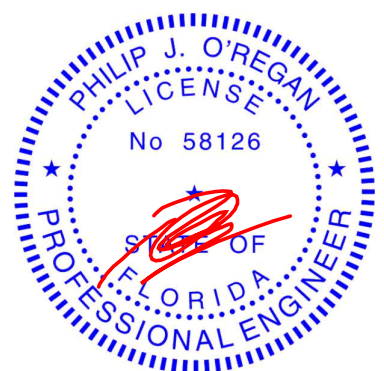
Plate Offsets (X,Y)--	[2:0-0-0,0-1-11], [2:0-3-6,Edge]				
LOADING (psf)	SPACING- 2-0-0	CSI.	DEFL. in (loc) l/def L/d	PLATES	GRIP
TCLL 20.0	Plate Grip DOL 1.25	TC 0.20	Vert(LL) 0.03 4-9 >999 240	MT20	244/190
TCDL 7.0	Lumber DOL 1.25	BC 0.19	Vert(CT) 0.03 4-9 >999 180		
BCLL 0.0 *	Rep Stress Incr YES	WB 0.00	Horz(CT) -0.01 3 n/a n/a		
BCDL 10.0	Code FBC2017/TPI2014	Matrix-MP		Weight: 23 lb	FT = 20%

LUMBER-	BRACING-
TOP CHORD 2x4 SP No.2	TOP CHORD Structural wood sheathing directly applied or 5-0-0 oc purlins.
BOT CHORD 2x4 SP No.2	BOT CHORD Rigid ceiling directly applied or 10-0-0 oc bracing.
WEDGE	
Left: 2x8 SP 2400F 2.0E	

REACTIONS. (size) 3=Mechanical, 4=Mechanical, 2=0-3-8
 Max Horz 2=126(LC 12)
 Max Uplift 3=73(LC 12), 4=36(LC 9), 2=204(LC 8)
 Max Grav 3=73(LC 1), 4=63(LC 3), 2=346(LC 1)

FORCES. (lb) - Max. Comp./Max. Ten. - All forces 250 (lb) or less except when shown.

- NOTES-**
- 1) Wind: ASCE 7-10; Vult=130mph (3-second gust) Vasd=101mph; TCCL=4.2psf; BCDL=3.0psf; h=18ft; Cat. II; Exp C; Encl., GCpi=0.18; MWFRS (envelope) gable end zone and C-C Exterior(2) zone; cantilever left exposed; porch left and right exposed; C-C for members and forces & MWFRS for reactions shown; Lumber DOL=1.60 plate grip DOL=1.60
 - 2) This truss has been designed for a 10.0 psf bottom chord live load nonconcurrent with any other live loads.
 - 3) * This truss has been designed for a live load of 20.0psf on the bottom chord in all areas where a rectangle 3-6-0 tall by 2-0-0 wide will fit between the bottom chord and any other members.
 - 4) Refer to girder(s) for truss to truss connections.
 - 5) Provide mechanical connection (by others) of truss to bearing plate capable of withstanding 100 lb uplift at joint(s) 3, 4 except (jt=lb) 2=204.



Philip J. O'Regan PE No.58126
 MiTek USA, Inc. FL Cert 6634
 6904 Parke East Blvd. Tampa FL 33610
 Date:

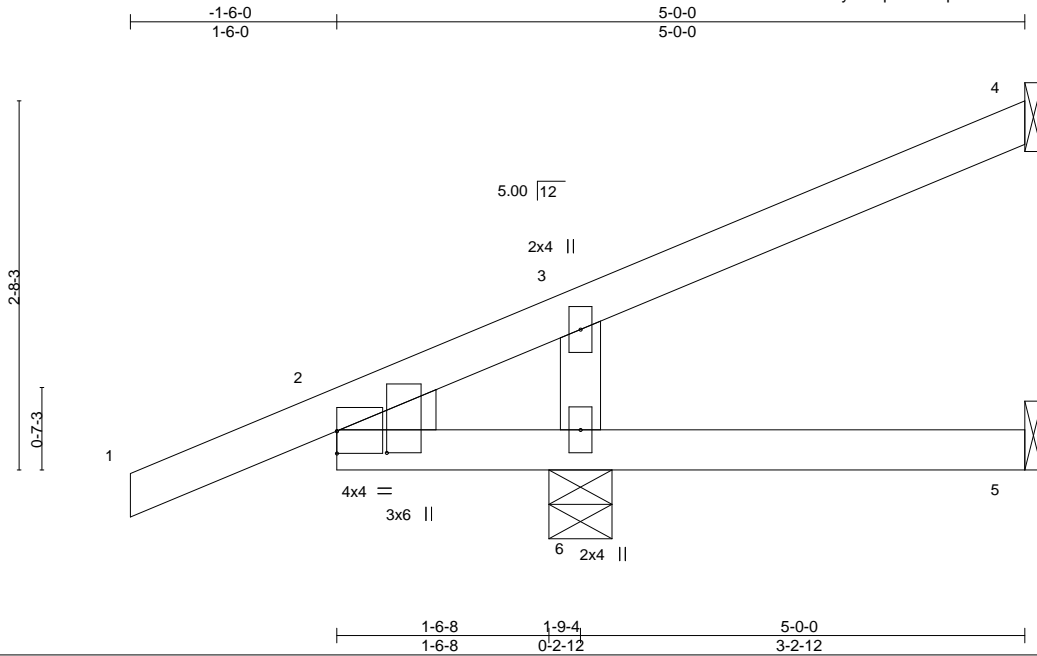
August 4, 2020

Job 2380539	Truss CJ05E	Truss Type Jack-Open	Qty 1	Ply 1	AMIRA BLDRS. - NICEWONGER RES. Job Reference (optional)	T20922637
----------------	----------------	-------------------------	----------	----------	--	-----------

Builders FirstSource, Jacksonville, FL - 32244,

8.240 s Mar 9 2020 MiTek Industries, Inc. Tue Aug 4 13:00:15 2020 Page 1

ID:aWWYZLKSHCowoxc8cTlVrGuq-hJ0f9ttip?Cmf?xxQSRBT4eSI3T4Cy5mJzxoeyrDXE



Scale = 1:16.7

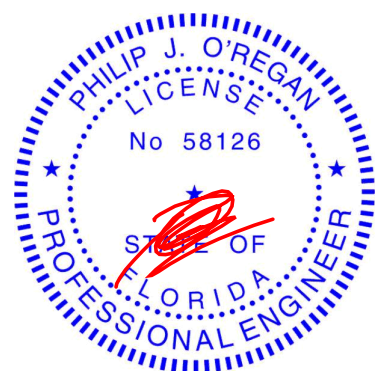
Plate Offsets (X,Y)--	[2:0-0-0,0-1-15], [2:0-1-14,0-4-6]				
LOADING (psf)	SPACING- 2-0-0	CSI.	DEFL. in (loc) l/defl L/d	PLATES	GRIP
TCLL 20.0	Plate Grip DOL 1.25	TC 0.34	Vert(LL) 0.01 5-6 >999 240	MT20	244/190
TCDL 7.0	Lumber DOL 1.25	BC 0.34	Vert(CT) 0.02 5-6 >999 180		
BCLL 0.0 *	Rep Stress Incr YES	WB 0.10	Horz(CT) -0.05 4 n/a n/a		
BCDL 10.0	Code FBC2017/TPI2014	Matrix-MP		Weight: 20 lb	FT = 20%

LUMBER-	BRACING-
TOP CHORD 2x4 SP No.2	TOP CHORD Structural wood sheathing directly applied or 5-0-0 oc purlins.
BOT CHORD 2x4 SP No.2	BOT CHORD Rigid ceiling directly applied or 10-0-0 oc bracing.
WEBS 2x4 SP No.3	
WEDGE	
Left: 2x4 SP No.3	

REACTIONS. (size) 4=Mechanical, 5=Mechanical, 6=0-5-8
 Max Horz 6=126(LC 12)
 Max Uplift 4=-55(LC 12), 5=-25(LC 20), 6=-254(LC 8)
 Max Grav 4=31(LC 1), 5=37(LC 3), 6=430(LC 1)

FORCES. (lb) - Max. Comp./Max. Ten. - All forces 250 (lb) or less except when shown.
 WEBS 3-6=-270/337

- NOTES-**
- 1) Wind: ASCE 7-10; Vult=130mph (3-second gust) Vasd=101mph; TC DL=4.2psf; BCDL=3.0psf; h=18ft; Cat. II; Exp C; Encl., GCpi=0.18; MWFRS (envelope) gable end zone and C-C Exterior(2) zone; cantilever left exposed; porch left and right exposed; C-C for members and forces & MWFRS for reactions shown; Lumber DOL=1.60 plate grip DOL=1.60
 - 2) This truss has been designed for a 10.0 psf bottom chord live load nonconcurrent with any other live loads.
 - 3) * This truss has been designed for a live load of 20.0psf on the bottom chord in all areas where a rectangle 3-6-0 tall by 2-0-0 wide will fit between the bottom chord and any other members.
 - 4) Refer to girder(s) for truss to truss connections.
 - 5) Provide mechanical connection (by others) of truss to bearing plate capable of withstanding 100 lb uplift at joint(s) 4, 5 except (jt=lb) 6=254.



Philip J. O'Regan PE No.58126
 MiTek USA, Inc. FL Cert 6634
 6904 Parke East Blvd. Tampa FL 33610
 Date:

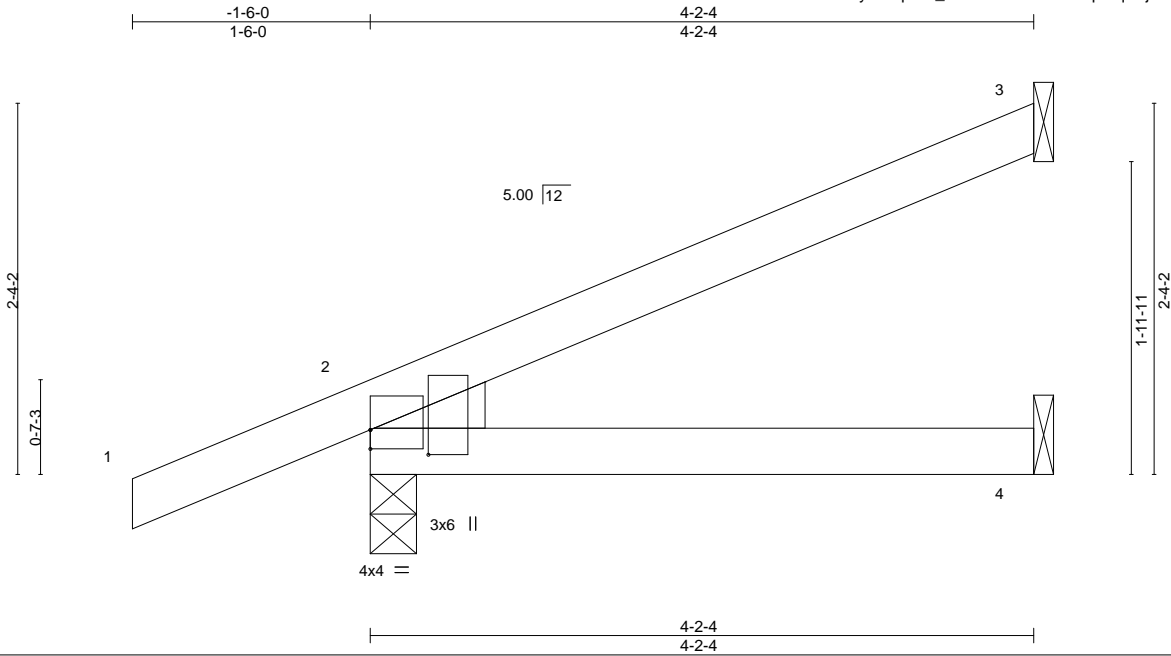
August 4, 2020

Job 2380539	Truss CJ06	Truss Type Jack-Open	Qty 1	Ply 1	AMIRA BLDRS. - NICEWONGER RES. Job Reference (optional)	T20922639
----------------	---------------	-------------------------	----------	----------	--	-----------

Builders FirstSource, Jacksonville, FL - 32244,

8.240 s Mar 9 2020 MiTek Industries, Inc. Tue Aug 4 13:00:31 2020 Page 1

ID:aWWYZLKSHCowoxc8cTivEVyrGuq-DO_iWL4k2vDVaTA0Mq7AqriPjiYfqSUSsprnMjyrDX_



Scale = 1:14.5

Plate Offsets (X,Y)--	[2:0-0-0,0-1-7], [2:0-1-14,0-4-6]				
LOADING (psf)	SPACING- 2-0-0	CSI.	DEFL. in (loc) l/defl L/d	PLATES	GRIP
TCLL 20.0	Plate Grip DOL 1.25	TC 0.25	Vert(LL) 0.04 4-7 >999 240	MT20	244/190
TCDL 7.0	Lumber DOL 1.25	BC 0.25	Vert(CT) 0.04 4-7 >999 180		
BCLL 0.0 *	Rep Stress Incr YES	WB 0.00	Horz(CT) -0.01 3 n/a n/a		
BCDL 10.0	Code FBC2017/TPI2014	Matrix-MP		Weight: 17 lb	FT = 20%

LUMBER-
TOP CHORD 2x4 SP No.2
BOT CHORD 2x4 SP No.2
WEDGE
Left: 2x4 SP No.3

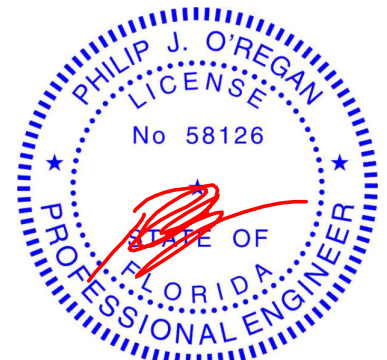
BRACING-
TOP CHORD Structural wood sheathing directly applied or 4-2-4 oc purlins.
BOT CHORD Rigid ceiling directly applied or 10-0-0 oc bracing.

REACTIONS. (size) 3=Mechanical, 2=0-3-8, 4=Mechanical
Max Horz 2=110(LC 12)
Max Uplift 3=-77(LC 12), 2=-149(LC 8), 4=-40(LC 9)
Max Grav 3=90(LC 1), 2=248(LC 1), 4=71(LC 3)

FORCES. (lb) - Max. Comp./Max. Ten. - All forces 250 (lb) or less except when shown.

NOTES-

- 1) Wind: ASCE 7-10; Vult=130mph (3-second gust) Vasd=101mph; TCCL=4.2psf; BCDL=3.0psf; h=18ft; Cat. II; Exp C; Encl., GCpi=0.18; MWFRS (envelope) gable end zone and C-C Exterior(2) zone; porch left and right exposed; C-C for members and forces & MWFRS for reactions shown; Lumber DOL=1.60 plate grip DOL=1.60
- 2) This truss has been designed for a 10.0 psf bottom chord live load nonconcurrent with any other live loads.
- 3) * This truss has been designed for a live load of 20.0psf on the bottom chord in all areas where a rectangle 3-6-0 tall by 2-0-0 wide will fit between the bottom chord and any other members.
- 4) Refer to girder(s) for truss to truss connections.
- 5) Provide mechanical connection (by others) of truss to bearing plate capable of withstanding 100 lb uplift at joint(s) 3, 4 except (jt=lb) 2=149.



Philip J. O'Regan PE No.58126
MiTek USA, Inc. FL Cert 6634
6904 Parke East Blvd. Tampa FL 33610
Date:

August 4, 2020

WARNING - Verify design parameters and READ NOTES ON THIS AND INCLUDED MITEK REFERENCE PAGE MII-7473 rev. 5/19/2020 BEFORE USE.

Design valid for use only with MiTek® connectors. This design is based only upon parameters shown, and is for an individual building component, not a truss system. Before use, the building designer must verify the applicability of design parameters and properly incorporate this design into the overall building design. Bracing indicated is to prevent buckling of individual truss web and/or chord members only. Additional temporary and permanent bracing is always required for stability and to prevent collapse with possible personal injury and property damage. For general guidance regarding the fabrication, storage, delivery, erection and bracing of trusses and truss systems, see **ANSI/TPI1 Quality Criteria, DSB-89 and BCSI Building Component Safety Information** available from Truss Plate Institute, 2670 Crain Highway, Suite 203 Waldorf, MD 20601



6904 Parke East Blvd.
Tampa, FL 36610

Job 2380539	Truss CJ07	Truss Type Jack-Open	Qty 1	Ply 1	AMIRA BLDRS. - NICEWONGER RES. T20922640
----------------	---------------	-------------------------	----------	----------	---

Builders FirstSource, Jacksonville, FL - 32244,

8.240 s Mar 9 2020 MiTek Industries, Inc. Tue Aug 4 13:00:33 2020 Page 1

ID:aWWYZLKSHCowoxc8cTlvEVyrGuq-9n6Sx05_aXTDpmKOTE9fwGggRY9NIMzlv7KuQcyrDWy



Scale = 1:14.9

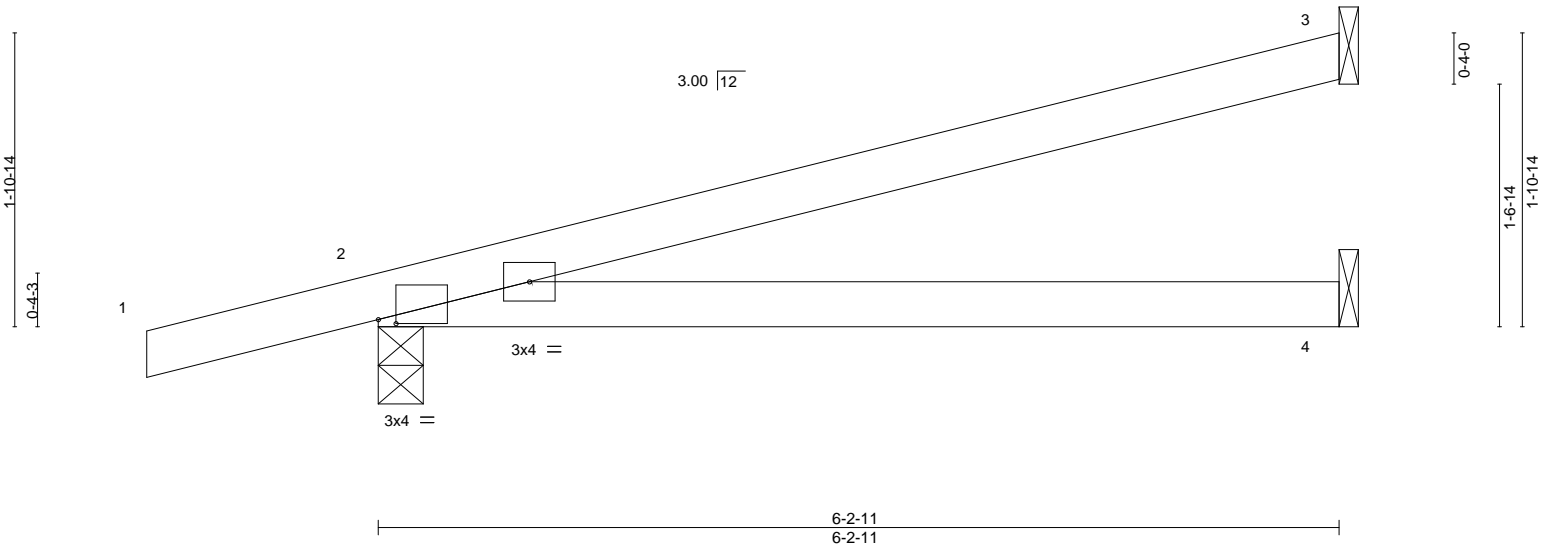


Plate Offsets (X,Y)--	[2:0-1-6,0-0-5]				
LOADING (psf)	SPACING-	CSI.	DEFL.	PLATES	GRIP
TCLL 20.0	2-0-0	TC 0.56	in (loc) l/def L/d	MT20	244/190
TCDL 7.0	Plate Grip DOL 1.25	BC 0.56	Vert(LL) 0.20 4-7 >374 240		
BCLL 0.0 *	Lumber DOL 1.25	WB 0.00	Vert(CT) 0.17 4-7 >435 180		
BCDL 10.0	Rep Stress Incr YES	Matrix-MP	Horz(CT) -0.00 3 n/a n/a		
	Code FBC2017/TPI2014			Weight: 21 lb	FT = 20%

LUMBER-
TOP CHORD 2x4 SP No.2
BOT CHORD 2x4 SP No.2

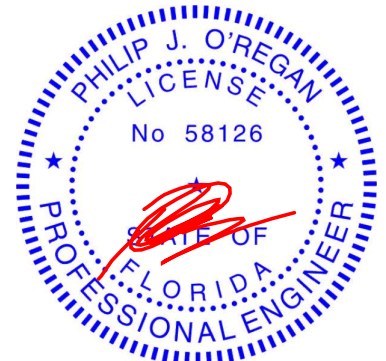
BRACING-
TOP CHORD Structural wood sheathing directly applied or 6-0-0 oc purlins.
BOT CHORD Rigid ceiling directly applied or 10-0-0 oc bracing.

REACTIONS. (size) 3=Mechanical, 2=0-3-8, 4=Mechanical
Max Horz 2=99(LC 8)
Max Uplift 3=-113(LC 8), 2=-262(LC 8), 4=-63(LC 8)
Max Grav 3=142(LC 1), 2=319(LC 1), 4=108(LC 3)

FORCES. (lb) - Max. Comp./Max. Ten. - All forces 250 (lb) or less except when shown.

NOTES-

- 1) Wind: ASCE 7-10; Vult=130mph (3-second gust) Vasd=101mph; TCCL=4.2psf; BCDL=3.0psf; h=18ft; Cat. II; Exp C; Encl., GCpi=0.18; MWFRS (envelope) gable end zone and C-C Exterior(2) zone; porch left and right exposed; C-C for members and forces & MWFRS for reactions shown; Lumber DOL=1.60 plate grip DOL=1.60
- 2) This truss has been designed for a 10.0 psf bottom chord live load nonconcurrent with any other live loads.
- 3) * This truss has been designed for a live load of 20.0psf on the bottom chord in all areas where a rectangle 3-6-0 tall by 2-0-0 wide will fit between the bottom chord and any other members.
- 4) Refer to girder(s) for truss to truss connections.
- 5) Provide mechanical connection (by others) of truss to bearing plate capable of withstanding 100 lb uplift at joint(s) 4 except (jt=lb) 3=113, 2=262.



Philip J. O'Regan PE No.58126
MiTek USA, Inc. FL Cert 6634
6904 Parke East Blvd. Tampa FL 33610
Date:

August 4, 2020

WARNING - Verify design parameters and READ NOTES ON THIS AND INCLUDED MITEK REFERENCE PAGE MII-7473 rev. 5/19/2020 BEFORE USE.

Design valid for use only with MiTek® connectors. This design is based only upon parameters shown, and is for an individual building component, not a truss system. Before use, the building designer must verify the applicability of design parameters and properly incorporate this design into the overall building design. Bracing indicated is to prevent buckling of individual truss web and/or chord members only. Additional temporary and permanent bracing is always required for stability and to prevent collapse with possible personal injury and property damage. For general guidance regarding the fabrication, storage, delivery, erection and bracing of trusses and truss systems, see **ANSI/TPI1 Quality Criteria, DSB-89 and BCSI Building Component Safety Information** available from Truss Plate Institute, 2670 Crain Highway, Suite 203 Waldorf, MD 20601



6904 Parke East Blvd.
Tampa, FL 36610

Job 2380539	Truss EJ01	Truss Type Jack-Partial	Qty 21	Ply 1	AMIRA BLDRS. - NICEWONGER RES. Job Reference (optional)	T20922641
----------------	---------------	----------------------------	-----------	----------	--	-----------

Builders FirstSource, Jacksonville, FL - 32244,

8.240 s Mar 9 2020 MiTek Industries, Inc. Tue Aug 4 13:00:36 2020 Page 1

ID:aWWYZLKSHCowoxc8cTlVEVyrGuq-ZMoba27ttSrngE2z8NjMXvS9hmbPVjjBb5ZY0xvDWv

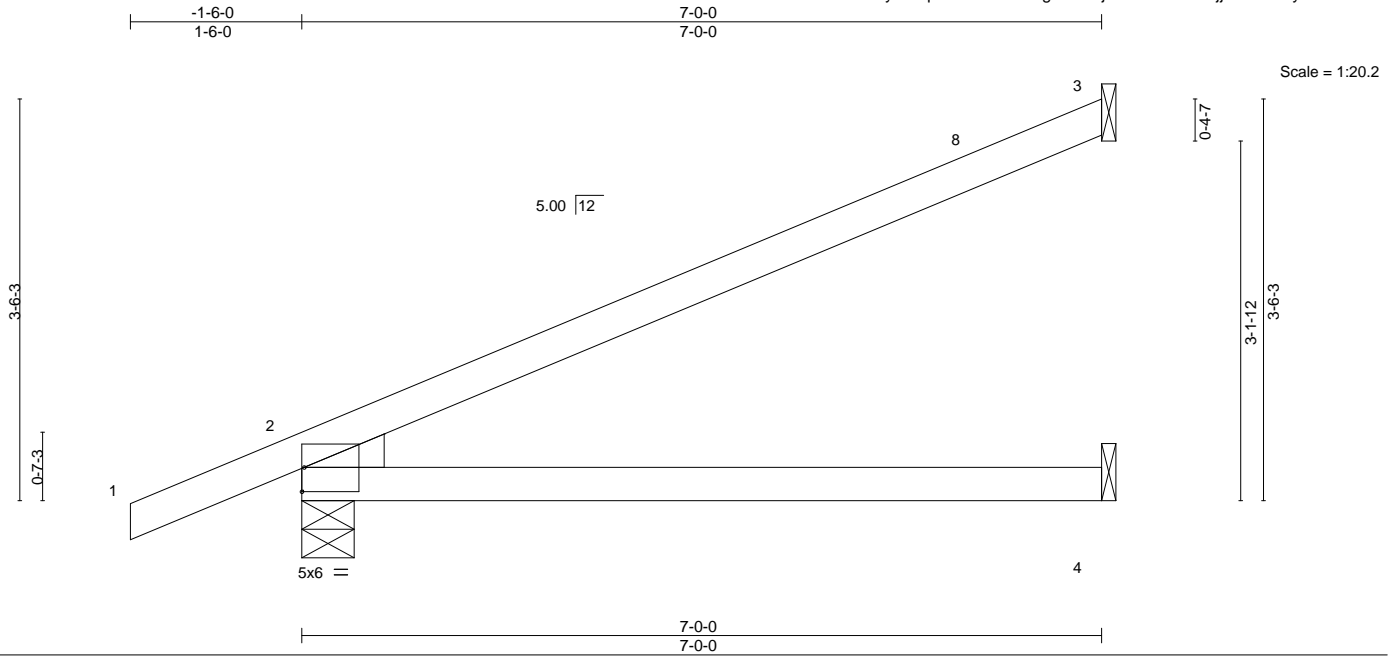


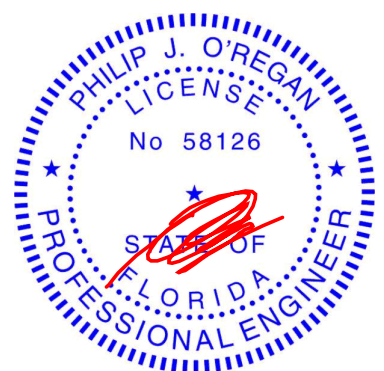
Plate Offsets (X,Y)--	[2:0-0-2,0-0-1], [2:0-5-14,0-0-2], [2:Edge,0-2-9]				
LOADING (psf)	SPACING- 2-0-0	CSI.	DEFL. in (loc) l/defl L/d	PLATES	GRIP
TCLL 20.0	Plate Grip DOL 1.25	TC 0.62	Vert(LL) 0.15 4-7 >547 240	MT20	244/190
TCDL 7.0	Lumber DOL 1.25	BC 0.54	Vert(CT) -0.21 4-7 >391 180		
BCLL 0.0 *	Rep Stress Incr YES	WB 0.00	Horz(CT) 0.03 2 n/a n/a		
BCDL 10.0	Code FBC2017/TPI2014	Matrix-MS		Weight: 25 lb	FT = 20%

LUMBER-	BRACING-
TOP CHORD 2x4 SP No.2	TOP CHORD Structural wood sheathing directly applied or 6-0-0 oc purlins.
BOT CHORD 2x4 SP No.2	BOT CHORD Rigid ceiling directly applied or 10-0-0 oc bracing.
WEDGE	
Left: 2x4 SP No.3	

REACTIONS. (size) 3=Mechanical, 2=0-5-8, 4=Mechanical
 Max Horz 2=161(LC 12)
 Max Uplift 3=123(LC 12), 2=140(LC 12), 4=10(LC 12)
 Max Grav 3=163(LC 1), 2=346(LC 1), 4=124(LC 3)

FORCES. (lb) - Max. Comp./Max. Ten. - All forces 250 (lb) or less except when shown.

- NOTES-**
- 1) Wind: ASCE 7-10; Vult=130mph (3-second gust) Vasd=101mph; TCDL=4.2psf; BCDL=3.0psf; h=18ft; Cat. II; Exp C; Encl., GCpi=0.18; MWFRS (envelope) gable end zone and C-C Exterior(2) zone; C-C for members and forces & MWFRS for reactions shown; Lumber DOL=1.60 plate grip DOL=1.60
 - 2) This truss has been designed for a 10.0 psf bottom chord live load nonconcurrent with any other live loads.
 - 3) * This truss has been designed for a live load of 20.0psf on the bottom chord in all areas where a rectangle 3-6-0 tall by 2-0-0 wide will fit between the bottom chord and any other members.
 - 4) Refer to girder(s) for truss to truss connections.
 - 5) Provide mechanical connection (by others) of truss to bearing plate capable of withstanding 100 lb uplift at joint(s) 4 except (jt=lb) 3=123, 2=140.



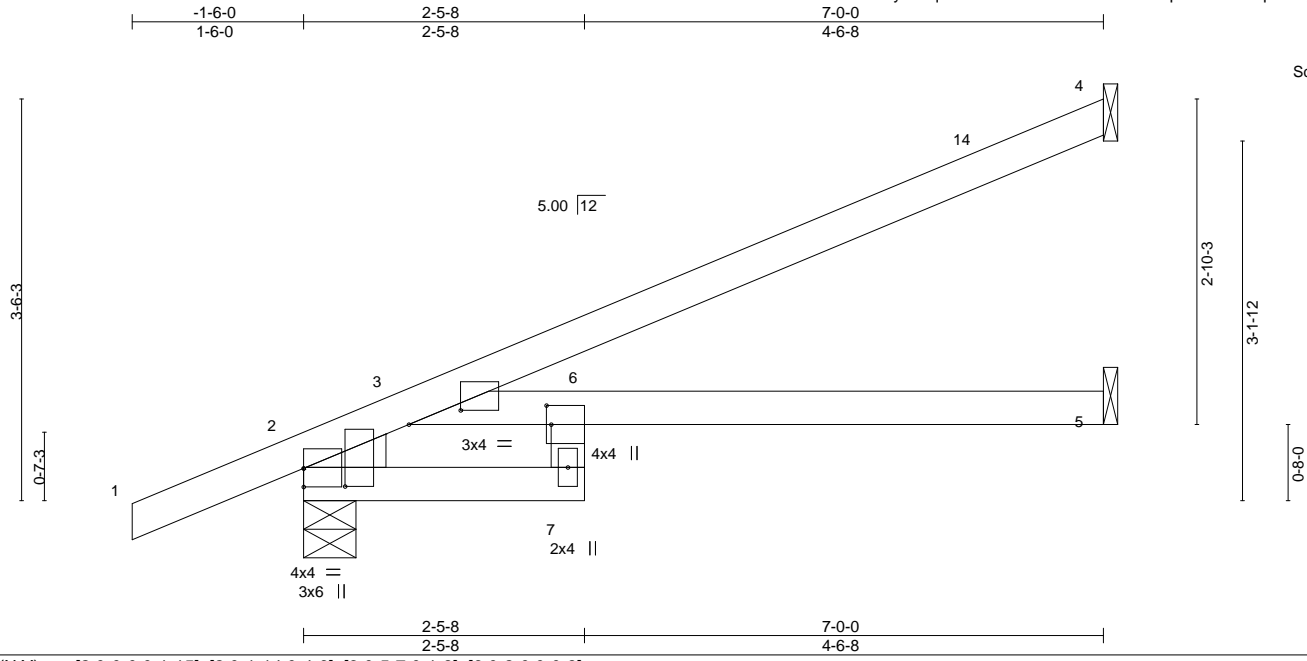
Philip J. O'Regan PE No.58126
 MiTek USA, Inc. FL Cert 6634
 6904 Parke East Blvd. Tampa FL 33610
 Date:

August 4, 2020

Job 2380539	Truss EJ02	Truss Type Jack-Partial	Qty 3	Ply 1	AMIRA BLDRS. - NICEWONGER RES. T20922642
----------------	---------------	----------------------------	----------	----------	---

Builders FirstSource, Jacksonville, FL - 32244,

8.240 s Mar 9 2020 MiTek Industries, Inc. Tue Aug 4 13:00:37 2020 Page 1
ID:aWWYZLKSHCowoxc8cTivEVyrGuq-2YMznO8VvelzeOdAi4Eb46?LpAVMEAzKqll6ZNyrDWu



Scale = 1:20.2

LOADING (psf)	SPACING-	2-0-0	CSI.	DEFL.	in (loc)	l/def	L/d	PLATES	GRIP
TCLL 20.0	Plate Grip DOL	1.25	TC 0.53	Vert(LL)	0.16	5-6	>510	MT20	244/190
TCDL 7.0	Lumber DOL	1.25	BC 0.62	Vert(CT)	-0.23	5-6	>365		
BCLL 0.0 *	Rep Stress Incr	YES	WB 0.00	Horz(CT)	0.05	5	n/a		
BCDL 10.0	Code FBC2017/TPI2014		Matrix-MR					Weight: 28 lb	FT = 20%

LUMBER-
TOP CHORD 2x4 SP No.2
BOT CHORD 2x4 SP No.2 *Except*
6-7: 2x4 SP No.3

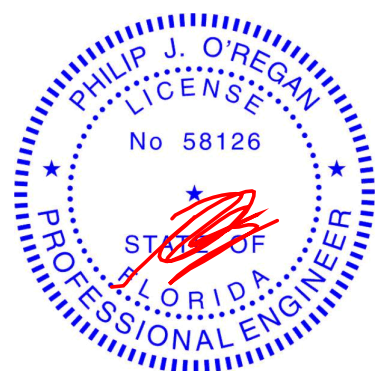
BRACING-
TOP CHORD Structural wood sheathing directly applied or 6-0-0 oc purlins.
BOT CHORD Rigid ceiling directly applied or 10-0-0 oc bracing.

WEDGE
Left: 2x4 SP No.3

REACTIONS. (size) 4=Mechanical, 2=0-5-8, 5=Mechanical
Max Horz 2=161(LC 12)
Max Uplift 4=-109(LC 12), 2=-134(LC 12), 5=-23(LC 12)
Max Grav 4=154(LC 1), 2=368(LC 1), 5=131(LC 3)

FORCES. (lb) - Max. Comp./Max. Ten. - All forces 250 (lb) or less except when shown.
TOP CHORD 3-9=-318/142
BOT CHORD 2-7=-276/257, 3-6=-257/276

- NOTES-**
- 1) Wind: ASCE 7-10; Vult=130mph (3-second gust) Vasd=101mph; TCdL=4.2psf; BCDL=3.0psf; h=18ft; Cat. II; Exp C; Encl., GCpi=0.18; MWFRS (envelope) gable end zone and C-C Exterior(2) zone; C-C for members and forces & MWFRS for reactions shown; Lumber DOL=1.60 plate grip DOL=1.60
 - 2) This truss has been designed for a 10.0 psf bottom chord live load nonconcurrent with any other live loads.
 - 3) * This truss has been designed for a live load of 20.0psf on the bottom chord in all areas where a rectangle 3-6-0 tall by 2-0-0 wide will fit between the bottom chord and any other members.
 - 4) Refer to girder(s) for truss to truss connections.
 - 5) Provide mechanical connection (by others) of truss to bearing plate capable of withstanding 100 lb uplift at joint(s) 5 except (jt=lb) 4=109, 2=134.



Philip J. O'Regan PE No.58126
MiTek USA, Inc. FL Cert 6634
6904 Parke East Blvd. Tampa FL 33610
Date:

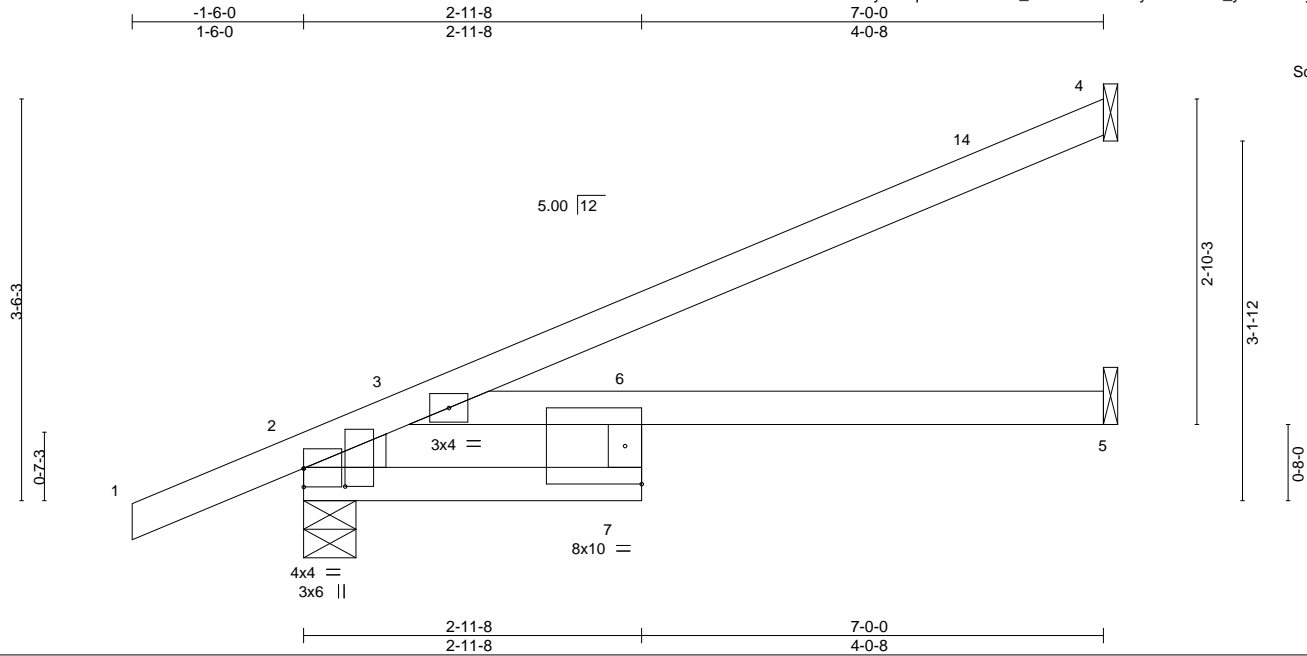
August 4, 2020

Job 2380539	Truss EJ03	Truss Type Jack-Partial	Qty 6	Ply 1	AMIRA BLDRS. - NICEWONGER RES. T20922643
----------------	---------------	----------------------------	----------	----------	---

Builders FirstSource, Jacksonville, FL - 32244,

8.240 s Mar 9 2020 MiTek Industries, Inc. Tue Aug 4 13:00:41 2020 Page 1

ID:aWWYZLKSHCwoxc8cTivEVyrGuq-wJbUdmB0h_T4m?xxxwJXEy92DnsWA_ywIMGJi8yrDWq



Scale = 1:20.2

Plate Offsets (X, Y)--	[2:0-0-0,0-1-15], [2:0-1-14,0-4-6], [6:0-1-12,0-0-0], [7:0-1-12,0-0-0]
------------------------	--

LOADING (psf)	SPACING-	2-0-0	CSI.	DEFL.	in (loc)	l/defl	L/d	PLATES	GRIP	
TCLL 20.0	Plate Grip DOL	1.25	TC 0.51	Vert(LL)	0.15	5-6	>553	240	MT20	244/190
TCDL 7.0	Lumber DOL	1.25	BC 0.67	Vert(CT)	-0.22	5-6	>376	180		
BCLL 0.0 *	Rep Stress Incr	YES	WB 0.00	Horz(CT)	0.05	5	n/a	n/a		
BCDL 10.0	Code FBC2017/TPI2014		Matrix-MR							

Weight: 29 lb FT = 20%

LUMBER-

TOP CHORD 2x4 SP No.2
 BOT CHORD 2x4 SP No.2 *Except*
 6-7: 2x4 SP No.3

BRACING-

TOP CHORD Structural wood sheathing directly applied or 6-0-0 oc purlins.
 BOT CHORD Rigid ceiling directly applied or 10-0-0 oc bracing.

WEDGE
 Left: 2x4 SP No.3

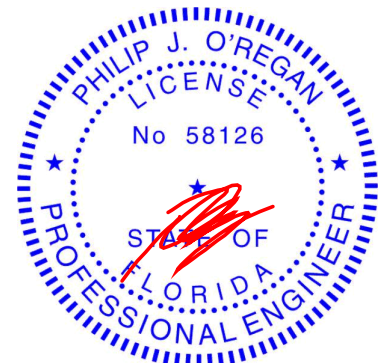
REACTIONS. (size) 4=Mechanical, 2=0-5-8, 5=Mechanical
 Max Horz 2=161(LC 12)
 Max Uplift 4=-105(LC 12), 2=-132(LC 12), 5=-25(LC 12)
 Max Grav 4=150(LC 1), 2=374(LC 1), 5=140(LC 3)

FORCES. (lb) - Max. Comp./Max. Ten. - All forces 250 (lb) or less except when shown.

TOP CHORD 3-9=-369/177
 BOT CHORD 2-7=-315/309, 3-6=-309/315

NOTES-

- 1) Wind: ASCE 7-10; Vult=130mph (3-second gust) Vasd=101mph; TC DL=4.2psf; BCDL=3.0psf; h=18ft; Cat. II; Exp C; Encl., GCpi=0.18; MWFRS (envelope) gable end zone and C-C Exterior(2) zone; C-C for members and forces & MWFRS for reactions shown; Lumber DOL=1.60 plate grip DOL=1.60
- 2) This truss has been designed for a 10.0 psf bottom chord live load nonconcurrent with any other live loads.
- 3) * This truss has been designed for a live load of 20.0psf on the bottom chord in all areas where a rectangle 3-6-0 tall by 2-0-0 wide will fit between the bottom chord and any other members.
- 4) Refer to girder(s) for truss to truss connections.
- 5) Provide mechanical connection (by others) of truss to bearing plate capable of withstanding 100 lb uplift at joint(s) 5 except (jt=lb) 4=105, 2=132.



Philip J. O'Regan PE No.58126
 MiTek USA, Inc. FL Cert 6634
 6904 Parke East Blvd. Tampa FL 33610
 Date:

August 4, 2020

WARNING - Verify design parameters and READ NOTES ON THIS AND INCLUDED MITEK REFERENCE PAGE MII-7473 rev. 5/19/2020 BEFORE USE.

Design valid for use only with MiTek® connectors. This design is based only upon parameters shown, and is for an individual building component, not a truss system. Before use, the building designer must verify the applicability of design parameters and properly incorporate this design into the overall building design. Bracing indicated is to prevent buckling of individual truss web and/or chord members only. Additional temporary and permanent bracing is always required for stability and to prevent collapse with possible personal injury and property damage. For general guidance regarding the fabrication, storage, delivery, erection and bracing of trusses and truss systems, see **ANSI/TPI1 Quality Criteria, DSB-89 and BCSI Building Component Safety Information** available from Truss Plate Institute, 2670 Crain Highway, Suite 203 Waldorf, MD 20601



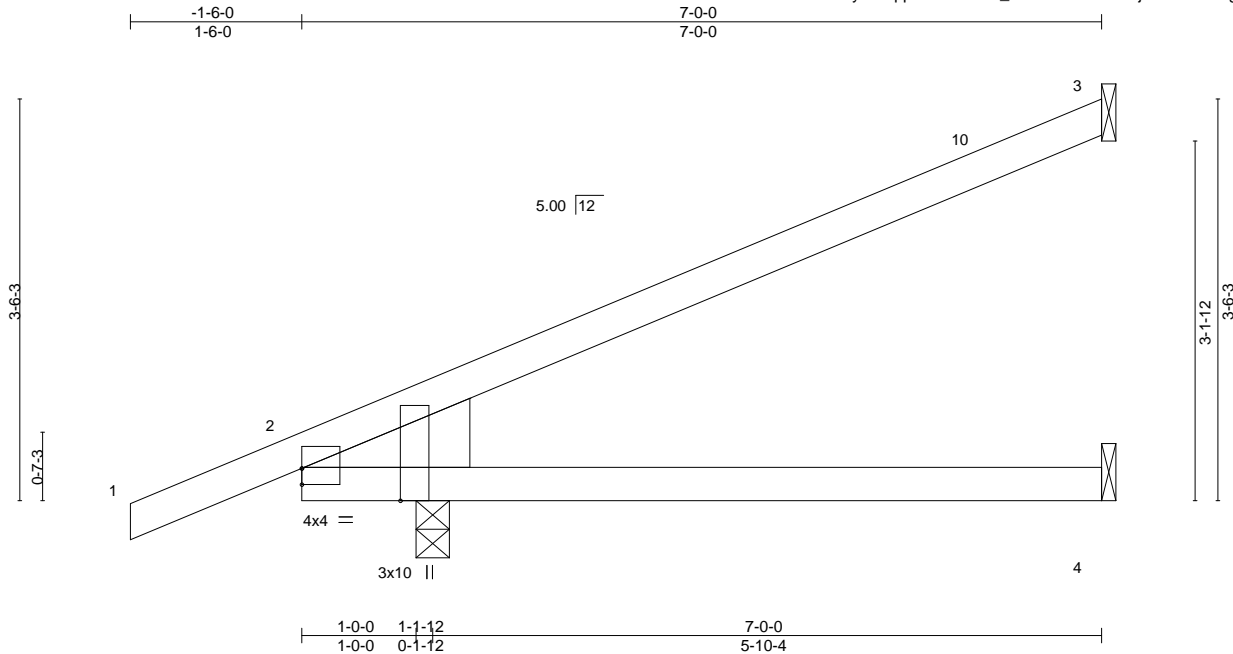
6904 Parke East Blvd.
 Tampa, FL 36610

Job 2380539	Truss EJ04	Truss Type Jack-Partial	Qty 11	Ply 1	AMIRA BLDRS. - NICEWONGER RES. Job Reference (optional)	T20922644
----------------	---------------	----------------------------	-----------	----------	--	-----------

Builders FirstSource, Jacksonville, FL - 32244,

8.240 s Mar 9 2020 MiTek Industries, Inc. Tue Aug 4 13:00:45 2020 Page 1

ID:aWWYZLKSHCowoxc8cTlvEVyrGuq-p4r?S7EWID_WFdEiAmNTPoKjFOFZ6nxWg_EXrvyrDWM



Scale = 1:20.2

Plate Offsets (X,Y)--	[2:0-0-0,0-1-11], [2:0-3-6,Edge]				
LOADING (psf)	SPACING- 2-0-0	CSI.	DEFL. in (loc) l/defl L/d	PLATES	GRIP
TCLL 20.0	Plate Grip DOL 1.25	TC 0.57	Vert(LL) 0.17 4-9 >481 240	MT20	244/190
TCDL 7.0	Lumber DOL 1.25	BC 0.53	Vert(CT) 0.15 4-9 >540 180		
BCLL 0.0 *	Rep Stress Incr YES	WB 0.00	Horz(CT) -0.07 3 n/a n/a		
BCDL 10.0	Code FBC2017/TPI2014	Matrix-MS		Weight: 29 lb	FT = 20%

LUMBER-
TOP CHORD 2x4 SP No.2
BOT CHORD 2x4 SP No.2
WEDGE
Left: 2x8 SP 2400F 2.0E

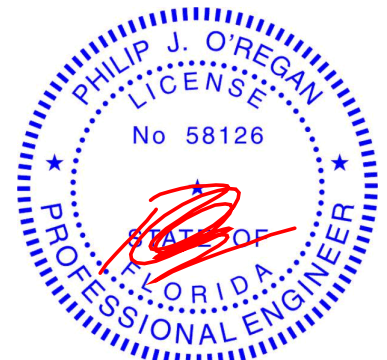
BRACING-
TOP CHORD Structural wood sheathing directly applied or 6-0-0 oc purlins.
BOT CHORD Rigid ceiling directly applied or 10-0-0 oc bracing.

REACTIONS. (size) 3=Mechanical, 4=Mechanical, 2=0-3-8
Max Horz 2=161(LC 12)
Max Uplift 3=104(LC 12), 4=57(LC 9), 2=231(LC 8)
Max Grav 3=129(LC 1), 4=103(LC 3), 2=405(LC 1)

FORCES. (lb) - Max. Comp./Max. Ten. - All forces 250 (lb) or less except when shown.

NOTES-

- 1) Wind: ASCE 7-10; Vult=130mph (3-second gust) Vasd=101mph; TCdL=4.2psf; BCDL=3.0psf; h=18ft; Cat. II; Exp C; Encl., GCpi=0.18; MWFRS (envelope) gable end zone and C-C Exterior(2) zone; cantilever left exposed; porch left and right exposed; C-C for members and forces & MWFRS for reactions shown; Lumber DOL=1.60 plate grip DOL=1.60
- 2) This truss has been designed for a 10.0 psf bottom chord live load nonconcurrent with any other live loads.
- 3) * This truss has been designed for a live load of 20.0psf on the bottom chord in all areas where a rectangle 3-6-0 tall by 2-0-0 wide will fit between the bottom chord and any other members.
- 4) Refer to girder(s) for truss to truss connections.
- 5) Provide mechanical connection (by others) of truss to bearing plate capable of withstanding 100 lb uplift at joint(s) 4 except (jt=lb) 3=104, 2=231.



Philip J. O'Regan PE No.58126
MiTek USA, Inc. FL Cert 6634
6904 Parke East Blvd. Tampa FL 33610
Date:

August 4, 2020

WARNING - Verify design parameters and READ NOTES ON THIS AND INCLUDED MITEK REFERENCE PAGE MII-7473 rev. 5/19/2020 BEFORE USE.

Design valid for use only with MiTek® connectors. This design is based only upon parameters shown, and is for an individual building component, not a truss system. Before use, the building designer must verify the applicability of design parameters and properly incorporate this design into the overall building design. Bracing indicated is to prevent buckling of individual truss web and/or chord members only. Additional temporary and permanent bracing is always required for stability and to prevent collapse with possible personal injury and property damage. For general guidance regarding the fabrication, storage, delivery, erection and bracing of trusses and truss systems, see **ANSI/TPI1 Quality Criteria, DSB-89 and BCSI Building Component Safety Information** available from Truss Plate Institute, 2670 Crain Highway, Suite 203 Waldorf, MD 20601



6904 Parke East Blvd.
Tampa, FL 36610

Job 2380539	Truss EJ05	Truss Type Jack-Partial	Qty 1	Ply 1	AMIRA BLDRS. - NICEWONGER RES. Job Reference (optional)	T20922645
----------------	---------------	----------------------------	----------	----------	--	-----------

Builders FirstSource, Jacksonville, FL - 32244,

8.240 s Mar 9 2020 MiTek Industries, Inc. Tue Aug 4 13:00:48 2020 Page 1

ID:aWWYZLKSHCowoxc8cTlvEVyrGuq-DfW759HP28M464zHruxA0RyBObGrJ8hyMyTBSEyrDWj

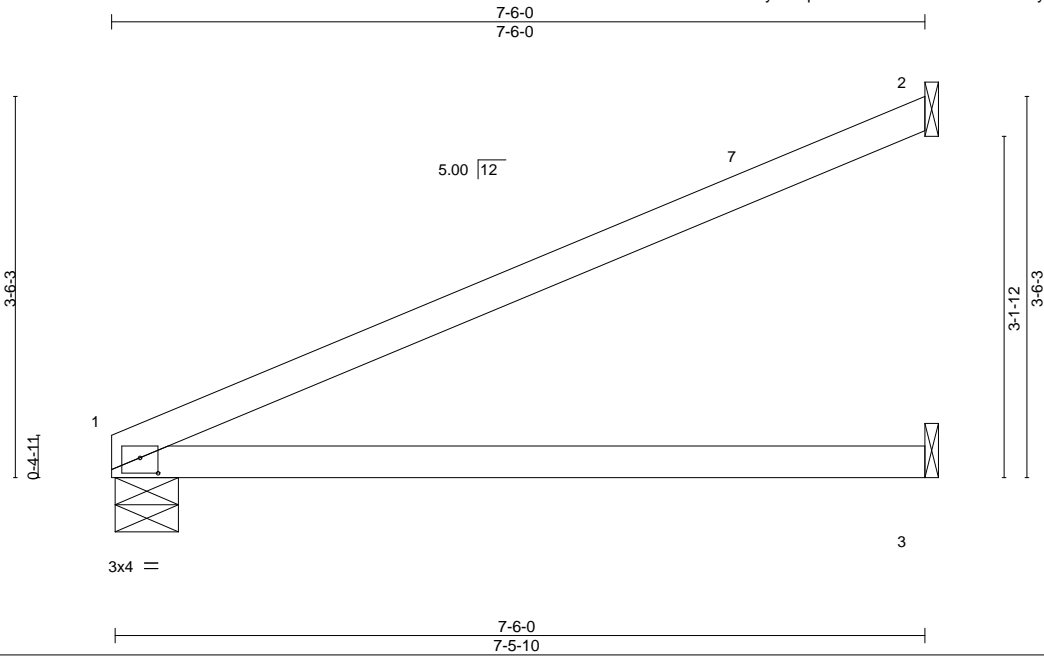


Plate Offsets (X,Y)--	[1:0-2-0,0-1-11]						
LOADING (psf)	SPACING-	2-0-0	CSI.	DEFL.	in (loc)	l/def	L/d
TCLL 20.0	Plate Grip DOL	1.25	TC 0.77	Vert(LL)	0.20 3-6	>454	240
TCDL 7.0	Lumber DOL	1.25	BC 0.62	Vert(CT)	-0.30 3-6	>294	180
BCLL 0.0 *	Rep Stress Incr	YES	WB 0.00	Horz(CT)	0.01 1	n/a	n/a
BCDL 10.0	Code FBC2017/TPI2014		Matrix-MS				
							PLATES MT20
							GRIP 244/190
							Weight: 23 lb FT = 20%

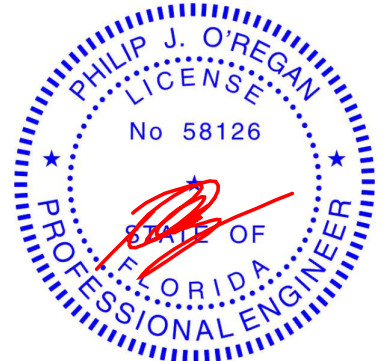
LUMBER-		BRACING-	
TOP CHORD	2x4 SP No.2	TOP CHORD	Structural wood sheathing directly applied or 6-0-0 oc purlins.
BOT CHORD	2x4 SP No.2	BOT CHORD	Rigid ceiling directly applied or 10-0-0 oc bracing.

REACTIONS. (size) 1=0-7-0, 2=Mechanical, 3=Mechanical
 Max Horz 1=142(LC 12)
 Max Uplift 1=-96(LC 12), 2=-129(LC 12), 3=-9(LC 12)
 Max Grav 1=275(LC 1), 2=180(LC 1), 3=136(LC 3)

FORCES. (lb) - Max. Comp./Max. Ten. - All forces 250 (lb) or less except when shown.

NOTES-

- 1) Wind: ASCE 7-10; Vult=130mph (3-second gust) Vasd=101mph; TCDL=4.2psf; BCDL=3.0psf; h=18ft; Cat. II; Exp C; Encl., GCpi=0.18; MWFRS (envelope) gable end zone and C-C Exterior(2) zone;C-C for members and forces & MWFRS for reactions shown; Lumber DOL=1.60 plate grip DOL=1.60
- 2) This truss has been designed for a 10.0 psf bottom chord live load nonconcurrent with any other live loads.
- 3) * This truss has been designed for a live load of 20.0psf on the bottom chord in all areas where a rectangle 3-6-0 tall by 2-0-0 wide will fit between the bottom chord and any other members.
- 4) Refer to girder(s) for truss to truss connections.
- 5) Provide mechanical connection (by others) of truss to bearing plate capable of withstanding 100 lb uplift at joint(s) 1, 3 except (jt=lb) 2=129.



Philip J. O'Regan PE No.58126
 MiTek USA, Inc. FL Cert 6634
 6904 Parke East Blvd. Tampa FL 33610
 Date:

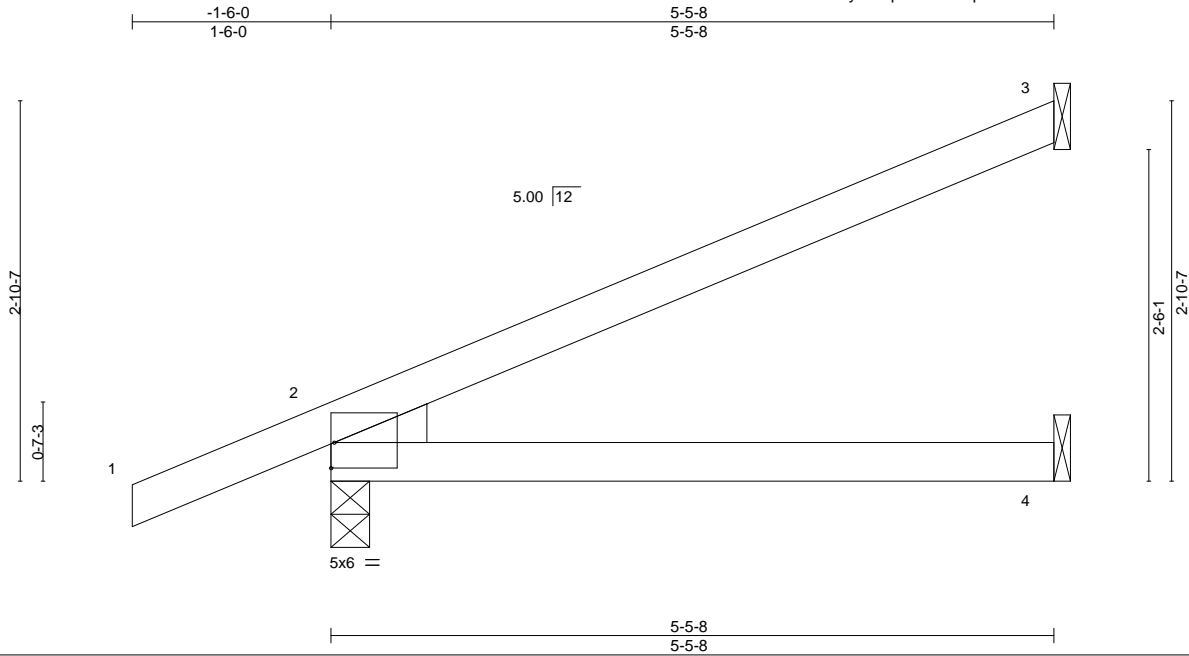
August 4,2020

Job 2380539	Truss EJ06	Truss Type Jack-Open	Qty 1	Ply 1	AMIRA BLDRS. - NICEWONGER RES. Job Reference (optional)	T20922646
----------------	---------------	-------------------------	----------	----------	--	-----------

Builders FirstSource, Jacksonville, FL - 32244,

8.240 s Mar 9 2020 MiTek Industries, Inc. Tue Aug 4 13:00:49 2020 Page 1

ID:aWWYZLKSHCwoxc8cTlVEVyrGuq-hs4WlV1pRUxkEYTPbSPZeUQc?dX2bx5bcCk_gyrDWi



Scale = 1:17.4

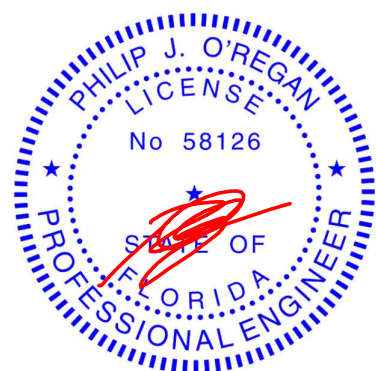
Plate Offsets (X,Y)--	[2:0-0-2,0-0-1], [2:0-5-14,0-0-2], [2:Edge,0-2-5]				
LOADING (psf)	SPACING- 2-0-0	CSI.	DEFL. in (loc) l/defl L/d	PLATES	GRIP
TCLL 20.0	Plate Grip DOL 1.25	TC 0.48	Vert(LL) 0.13 4-7 >499 240	MT20	244/190
TCDL 7.0	Lumber DOL 1.25	BC 0.47	Vert(CT) 0.11 4-7 >570 180		
BCLL 0.0 *	Rep Stress Incr YES	WB 0.00	Horz(CT) -0.02 3 n/a n/a		
BCDL 10.0	Code FBC2017/TPI2014	Matrix-MP		Weight: 21 lb	FT = 20%

LUMBER-	BRACING-
TOP CHORD 2x4 SP No.2	TOP CHORD Structural wood sheathing directly applied or 5-5-8 oc purlins.
BOT CHORD 2x4 SP No.2	BOT CHORD Rigid ceiling directly applied or 10-0-0 oc bracing.
WEDGE	
Left: 2x4 SP No.3	

REACTIONS. (size) 3=Mechanical, 2=0-3-8, 4=Mechanical
 Max Horz 2=135(LC 12)
 Max Uplift 3=105(LC 12), 2=171(LC 8), 4=53(LC 9)
 Max Grav 3=123(LC 1), 2=292(LC 1), 4=95(LC 3)

FORCES. (lb) - Max. Comp./Max. Ten. - All forces 250 (lb) or less except when shown.

- NOTES-**
- 1) Wind: ASCE 7-10; Vult=130mph (3-second gust) Vasd=101mph; TC DL=4.2psf; BCDL=3.0psf; h=18ft; Cat. II; Exp C; Encl., GCpi=0.18; MWFRS (envelope) gable end zone and C-C Exterior(2) zone; porch left and right exposed;C-C for members and forces & MWFRS for reactions shown; Lumber DOL=1.60 plate grip DOL=1.60
 - 2) This truss has been designed for a 10.0 psf bottom chord live load nonconcurrent with any other live loads.
 - 3) * This truss has been designed for a live load of 20.0psf on the bottom chord in all areas where a rectangle 3-6-0 tall by 2-0-0 wide will fit between the bottom chord and any other members.
 - 4) Refer to girder(s) for truss to truss connections.
 - 5) Provide mechanical connection (by others) of truss to bearing plate capable of withstanding 100 lb uplift at joint(s) 4 except (jt=lb) 3=105, 2=171.



Philip J. O'Regan PE No.58126
 MiTek USA, Inc. FL Cert 6634
 6904 Parke East Blvd. Tampa FL 33610
 Date:

August 4,2020

Job 2380539	Truss HJ10A	Truss Type Diagonal Hip Girder	Qty 1	Ply 1	AMIRA BLDRS. - NICEWONGER RES. Job Reference (optional)	T20922648
----------------	----------------	-----------------------------------	----------	----------	--	-----------

Builders FirstSource, Jacksonville, FL - 32244,

8.240 s Mar 9 2020 MiTek Industries, Inc. Tue Aug 4 13:00:53 2020 Page 1

ID:aWWYZLKSHCwoxoc8cTlVvYrGuq-adJ08sLXtg_NCrEeRWLjUf73cwk_N8hWEAy7SyrDWe



Scale = 1:22.6

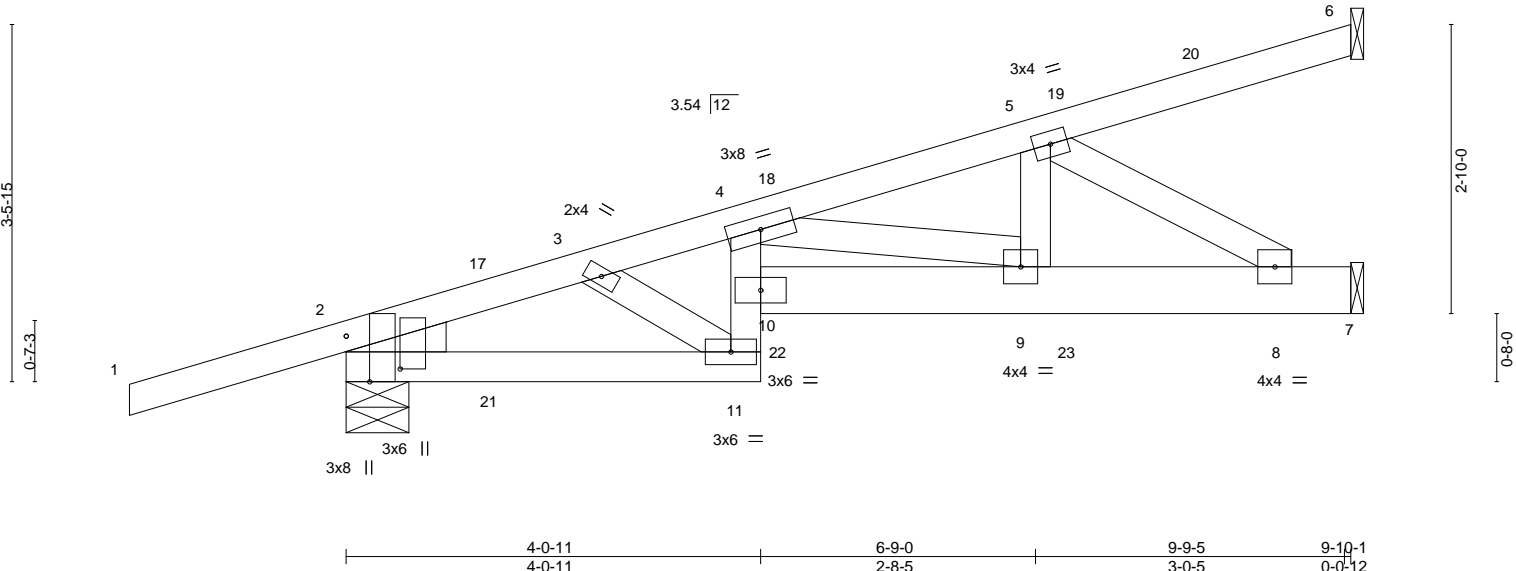


Plate Offsets (X,Y)--	[2:0-5-6,Edge], [2:0-3-14,0-6-5]
-----------------------	----------------------------------

LOADING (psf)	SPACING-	CSI.	DEFL.	PLATES	GRIP
TCLL 20.0	2-0-0	TC 0.32	in (loc) l/def L/d	MT20	244/190
TCDL 7.0	Plate Grip DOL 1.25	BC 0.77	Vert(LL) 0.05 10 >999 240		
BCLL 0.0 *	Lumber DOL 1.25	WB 0.18	Vert(CT) -0.07 10 >999 180		
BCDL 10.0	Rep Stress Incr NO	Matrix-MS	Horz(CT) 0.03 7 n/a n/a		
	Code FBC2017/TPI2014			Weight: 53 lb	FT = 20%

LUMBER-	BRACING-
TOP CHORD 2x4 SP No.2	TOP CHORD Structural wood sheathing directly applied or 6-0-0 oc purlins.
BOT CHORD 2x4 SP No.2 *Except* 7-10: 2x6 SP No.2	BOT CHORD Rigid ceiling directly applied or 6-0-0 oc bracing.
WEBS 2x4 SP No.3	
WEDGE	
Left: 2x4 SP No.3	

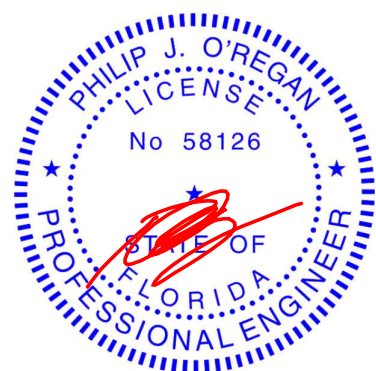
REACTIONS. (size) 6=Mechanical, 7=Mechanical, 2=0-7-6
 Max Horz 2=175(LC 4)
 Max Uplift 6=-42(LC 4), 7=-205(LC 8), 2=-267(LC 4)
 Max Grav 6=71(LC 1), 7=353(LC 1), 2=535(LC 1)

FORCES. (lb) - Max. Comp./Max. Ten. - All forces 250 (lb) or less except when shown.
 TOP CHORD 2-3=-570/206, 3-4=-552/259, 4-5=-677/376
 BOT CHORD 2-11=-270/490, 9-10=-589/889, 8-9=-419/650
 WEBS 4-9=-303/175, 5-9=-197/403, 5-8=-763/492

- NOTES-**
- Wind: ASCE 7-10; Vult=130mph (3-second gust) Vasd=101mph; TC DL=4.2psf; BCDL=3.0psf; h=18ft; Cat. II; Exp C; Encl., GCpi=0.18; MWFRS (envelope) gable end zone; Lumber DOL=1.60 plate grip DOL=1.60
 - This truss has been designed for a 10.0 psf bottom chord live load nonconcurrent with any other live loads.
 - * This truss has been designed for a live load of 20.0psf on the bottom chord in all areas where a rectangle 3-6-0 tall by 2-0-0 wide will fit between the bottom chord and any other members.
 - Refer to girder(s) for truss to truss connections.
 - Provide mechanical connection (by others) of truss to bearing plate capable of withstanding 100 lb uplift at joint(s) 6 except (jt=lb) 7=205, 2=267.
 - Hanger(s) or other connection device(s) shall be provided sufficient to support concentrated load(s) 88 lb down and 65 lb up at 1-6-1, 88 lb down and 65 lb up at 1-6-1, 17 lb down and 57 lb up at 4-4-0, 15 lb down and 27 lb up at 4-4-0, and 45 lb down and 76 lb up at 7-1-15, and 47 lb down and 84 lb up at 7-1-15 on top chord, and 25 lb down and 36 lb up at 1-6-1, 25 lb down and 36 lb up at 1-6-1, 19 lb down and 50 lb up at 4-4-0, 51 lb down and 37 lb up at 4-4-0, and 49 lb down and 51 lb up at 7-1-15, and 43 lb down and 43 lb up at 7-1-15 on bottom chord. The design/selection of such connection device(s) is the responsibility of others.
 - In the LOAD CASE(S) section, loads applied to the face of the truss are noted as front (F) or back (B).

LOAD CASE(S) Standard

- Dead + Roof Live (balanced): Lumber Increase=1.25, Plate Increase=1.25
 Uniform Loads (plf)
 Vert: 1-6=-54, 11-12=-20, 7-10=-20
 Concentrated Loads (lb)
 Vert: 18=57(B) 19=-39(F=-16, B=-22) 22=-46(F) 23=-93(F=-49, B=43)



Philip J. O'Regan PE No.58126
 MiTek USA, Inc. FL Cert 6634
 6904 Parke East Blvd. Tampa FL 33610
 Date:

August 4, 2020

WARNING - Verify design parameters and READ NOTES ON THIS AND INCLUDED MITEK REFERENCE PAGE MII-7473 rev. 5/19/2020 BEFORE USE.

Design valid for use only with MiTek® connectors. This design is based only upon parameters shown, and is for an individual building component, not a truss system. Before use, the building designer must verify the applicability of design parameters and properly incorporate this design into the overall building design. Bracing indicated is to prevent buckling of individual truss web and/or chord members only. Additional temporary and permanent bracing is always required for stability and to prevent collapse with possible personal injury and property damage. For general guidance regarding the fabrication, storage, delivery, erection and bracing of trusses and truss systems, see **ANSI/TPI Quality Criteria, DSB-89 and BCSI Building Component Safety Information** available from Truss Plate Institute, 2670 Crain Highway, Suite 203 Waldorf, MD 20601

6904 Parke East Blvd.
 Tampa, FL 36610

Job 2380539	Truss HJ10B	Truss Type Diagonal Hip Girder	Qty 1	Ply 1	AMIRA BLDRS. - NICEWONGER RES. T20922649
----------------	----------------	-----------------------------------	----------	----------	---

Builders FirstSource, Jacksonville, FL - 32244,

8.240 s Mar 9 2020 MiTek Industries, Inc. Tue Aug 4 13:00:56 2020 Page 1

ID:aWWYZLKSHCwoxoc8cTivEVyrGuq_C?9muNQ9bMy3JapJa42L7HdJq10Bj77CCPckmyrDWb

Job Reference (optional)



Scale = 1:22.6

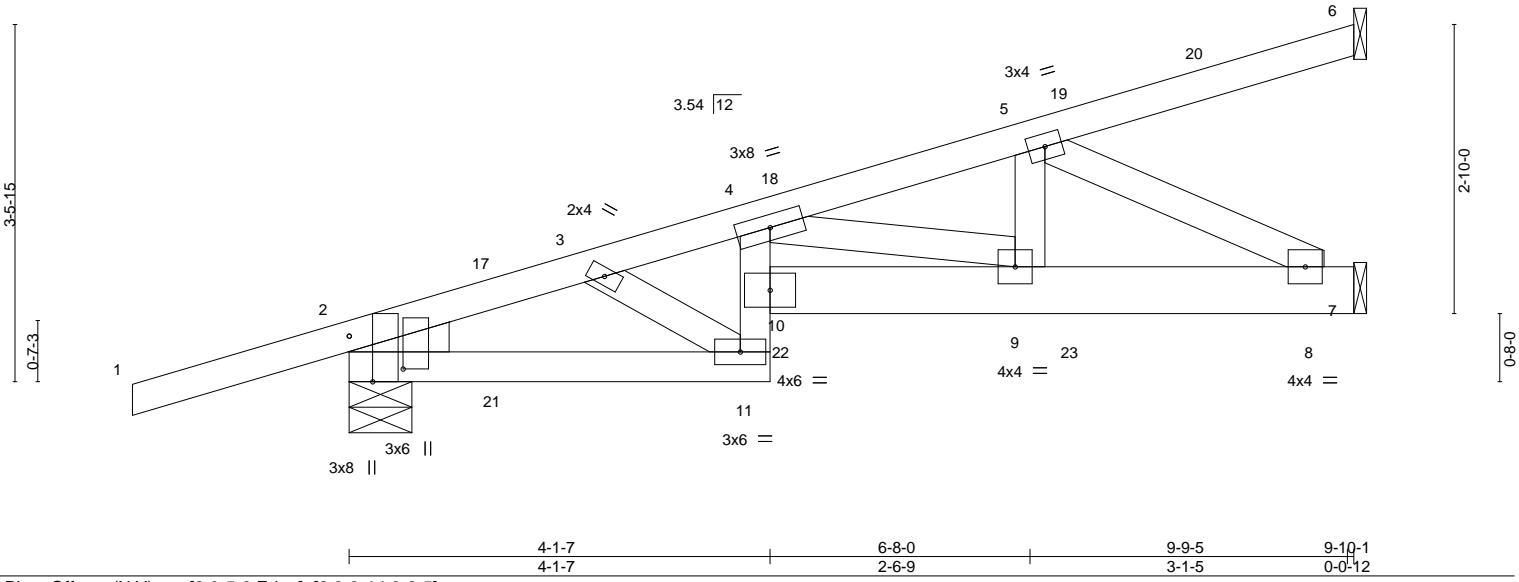


Plate Offsets (X,Y)--	[2:0-5-6,Edge], [2:0-3-14,0-6-5]
-----------------------	----------------------------------

LOADING (psf)	SPACING-	CSI.	DEFL.	PLATES	GRIP
TCLL 20.0	2-0-0	TC 0.39	in (loc) l/def L/d	MT20	244/190
TCDL 7.0	Plate Grip DOL 1.25	BC 0.41	Vert(LL) 0.05 10 >999 240		
BCLL 0.0 *	Lumber DOL 1.25	WB 0.23	Vert(CT) -0.08 10 >999 180		
BCDL 10.0	Rep Stress Incr NO	Matrix-MS	Horz(CT) 0.03 7 n/a n/a		
	Code FBC2017/TPI2014			Weight: 54 lb	FT = 20%

LUMBER-
TOP CHORD 2x4 SP No.2
BOT CHORD 2x4 SP No.2 *Except*
4-11: 2x4 SP M 31, 7-10: 2x6 SP No.2
WEBS 2x4 SP No.3
WEDGE
Left: 2x4 SP No.3

BRACING-
TOP CHORD Structural wood sheathing directly applied or 6-0-0 oc purlins.
BOT CHORD Rigid ceiling directly applied or 6-0-0 oc bracing.

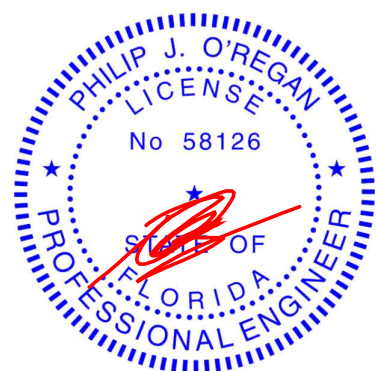
REACTIONS. (size) 6=Mechanical, 7=Mechanical, 2=0-7-6
Max Horz 2=175(LC 22)
Max Uplift 6=-44(LC 4), 7=-204(LC 8), 2=-267(LC 4)
Max Grav 6=72(LC 1), 7=408(LC 1), 2=610(LC 1)

FORCES. (lb) - Max. Comp./Max. Ten. - All forces 250 (lb) or less except when shown.
TOP CHORD 2-3=-693/220, 3-4=-741/263, 4-5=-820/377
BOT CHORD 2-11=-270/608, 9-10=-596/1214, 8-9=-421/778
WEBS 4-9=-466/182, 5-9=-169/436, 5-8=-879/475

- NOTES-**
- Wind: ASCE 7-10; Vult=130mph (3-second gust) Vasd=101mph; TC DL=4.2psf; BCDL=3.0psf; h=18ft; Cat. II; Exp C; Encl., GCpi=0.18; MWFRS (envelope) gable end zone; Lumber DOL=1.60 plate grip DOL=1.60
 - This truss has been designed for a 10.0 psf bottom chord live load nonconcurrent with any other live loads.
 - * This truss has been designed for a live load of 20.0psf on the bottom chord in all areas where a rectangle 3-6-0 tall by 2-0-0 wide will fit between the bottom chord and any other members.
 - Refer to girder(s) for truss to truss connections.
 - Provide mechanical connection (by others) of truss to bearing plate capable of withstanding 100 lb uplift at joint(s) 6 except (jt=lb) 7=204, 2=267.
 - Hanger(s) or other connection device(s) shall be provided sufficient to support concentrated load(s) 88 lb down and 65 lb up at 1-6-1, 88 lb down and 65 lb up at 1-6-1, 15 lb down and 27 lb up at 4-4-0, 15 lb down and 27 lb up at 4-4-0, and 45 lb down and 76 lb up at 7-1-15, and 45 lb down and 76 lb up at 7-1-15 on top chord, and 25 lb down and 36 lb up at 1-6-1, 25 lb down and 36 lb up at 1-6-1, 108 lb down and 19 lb up at 4-4-0, 51 lb down and 37 lb up at 4-4-0, and 49 lb down and 51 lb up at 7-1-15, and 49 lb down and 51 lb up at 7-1-15 on bottom chord. The design/selection of such connection device(s) is the responsibility of others.
 - In the LOAD CASE(S) section, loads applied to the face of the truss are noted as front (F) or back (B).

LOAD CASE(S) Standard

- Dead + Roof Live (balanced): Lumber Increase=1.25, Plate Increase=1.25
Uniform Loads (plf)
Vert: 1-6=-54, 11-12=-20, 7-10=-20
Concentrated Loads (lb)
Vert: 19=-33(F=-16, B=-16) 22=-121(F=-46) 23=-99(F=-49, B=-49)



Philip J. O'Regan PE No.58126
MiTek USA, Inc. FL Cert 6634
6904 Parke East Blvd. Tampa FL 33610
Date: August 4, 2020

Job 2380539	Truss HJ10D	Truss Type Diagonal Hip Girder	Qty 2	Ply 1	AMIRA BLDRS. - NICEWONGER RES. Job Reference (optional)	T20922650
----------------	----------------	-----------------------------------	----------	----------	--	-----------

Builders FirstSource, Jacksonville, FL - 32244,

8.240 s Mar 9 2020 MiTek Industries, Inc. Tue Aug 4 13:00:58 2020 Page 1

ID:aWWYZLKSHCowoxc8cTlVEVyrGuq-wa7vBaOghCcgJckCR_6WQYMzGdiJfeaQWujofyrDWZ

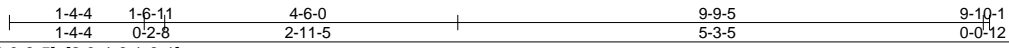
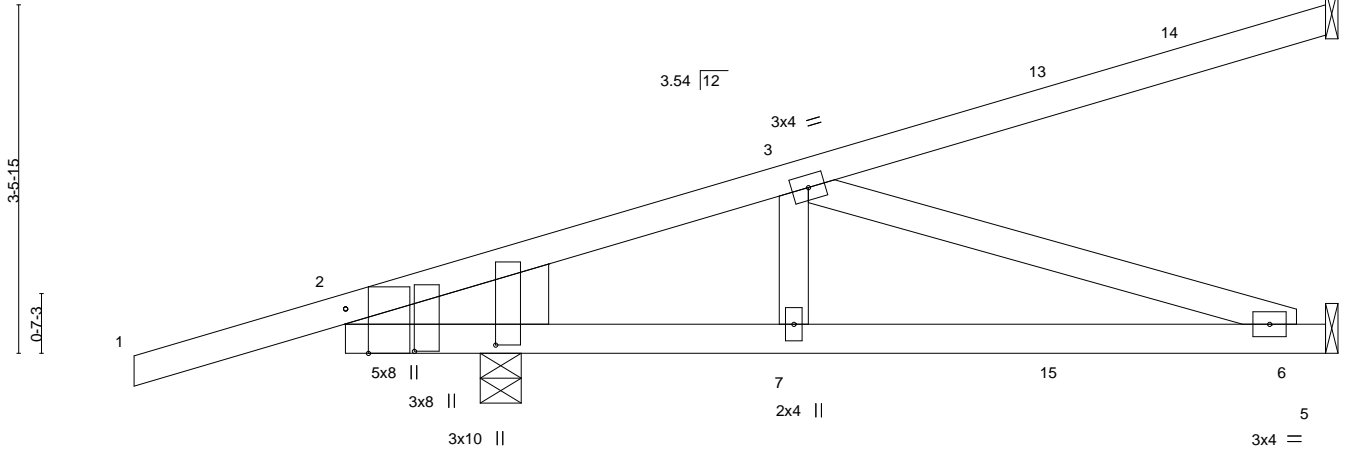


Plate Offsets (X, Y)--	[2:0-5-6,Edge], [2:0-5-2,0-8-5], [2:0-4-6,1-6-1]
------------------------	--

LOADING (psf)	SPACING-	2-0-0	CSI.	DEFL.	in (loc)	l/defl	L/d	PLATES	GRIP	
TCLL 20.0	Plate Grip DOL	1.25	TC 0.42	Vert(LL)	0.09	6-7	>999	240	MT20	244/190
TCDL 7.0	Lumber DOL	1.25	BC 0.49	Vert(CT)	-0.09	6-7	>999	180		
BCLL 0.0 *	Rep Stress Incr	NO	WB 0.17	Horz(CT)	0.01	4	n/a	n/a		
BCDL 10.0	Code FBC2017/TPI2014		Matrix-MS						Weight: 49 lb	FT = 20%

LUMBER-
TOP CHORD 2x4 SP No.2
BOT CHORD 2x4 SP No.2
WEBS 2x4 SP No.3
WEDGE
Left: 2x8 SP 2400F 2.0E

BRACING-
TOP CHORD Structural wood sheathing directly applied or 6-0-0 oc purlins.
BOT CHORD Rigid ceiling directly applied or 9-10-4 oc bracing.

REACTIONS. (size) 4=Mechanical, 5=Mechanical, 2=0-4-15
Max Horz 2=175(LC 4)
Max Uplift 4=-97(LC 4), 5=-146(LC 5), 2=-573(LC 4)
Max Grav 4=128(LC 19), 5=181(LC 3), 2=626(LC 1)

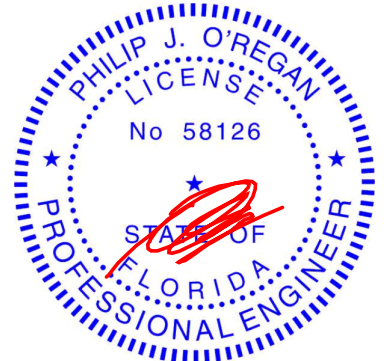
FORCES. (lb) - Max. Comp./Max. Ten. - All forces 250 (lb) or less except when shown.
TOP CHORD 2-3=-306/270
BOT CHORD 2-7=-312/276, 6-7=-312/276
WEBS 3-6=-290/328

NOTES-

- Wind: ASCE 7-10; Vult=130mph (3-second gust) Vasd=101mph; TCCL=4.2psf; BCDL=3.0psf; h=18ft; Cat. II; Exp C; Encl., GCp=0.18; MWFRS (envelope) gable end zone; cantilever left exposed; porch left and right exposed; Lumber DOL=1.60 plate grip DOL=1.60
- This truss has been designed for a 10.0 psf bottom chord live load nonconcurrent with any other live loads.
- * This truss has been designed for a live load of 20.0psf on the bottom chord in all areas where a rectangle 3-6-0 tall by 2-0-0 wide will fit between the bottom chord and any other members.
- Refer to girder(s) for truss to truss connections.
- Provide mechanical connection (by others) of truss to bearing plate capable of withstanding 100 lb uplift at joint(s) 4 except (jt=lb) 5=146, 2=573.
- Hanger(s) or other connection device(s) shall be provided sufficient to support concentrated load(s) 59 lb down and 106 lb up at 1-6-1, 59 lb down and 106 lb up at 1-6-1, 17 lb down and 57 lb up at 4-4-0, 17 lb down and 57 lb up at 4-4-0, and 22 lb down and 49 lb up at 7-1-15, and 35 lb down and 75 lb up at 7-1-15 on top chord, and 7 lb down and 20 lb up at 1-6-1, 7 lb down and 20 lb up at 1-6-1, 51 lb down and 50 lb up at 4-4-0, 51 lb down and 50 lb up at 4-4-0, and 56 lb down and 35 lb up at 7-1-15, and 26 lb down and 45 lb up at 7-1-15 on bottom chord. The design/selection of such connection device(s) is the responsibility of others.
- In the LOAD CASE(S) section, loads applied to the face of the truss are noted as front (F) or back (B).

LOAD CASE(S) Standard

- Dead + Roof Live (balanced): Lumber Increase=1.25, Plate Increase=1.25
Uniform Loads (plf)
Vert: 1-4=-54, 5-8=-20
Concentrated Loads (lb)
Vert: 3=114(F=57, B=57) 9=-118(F=-59, B=-59) 10=-11(F=-5, B=-5) 13=-3(F) 15=-0(F)



Philip J. O'Regan PE No.58126
MiTek USA, Inc. FL Cert 6634
6904 Parke East Blvd. Tampa FL 33610
Date:

August 4, 2020

Job 2380539	Truss HJ11	Truss Type Diagonal Hip Girder	Qty 1	Ply 1	AMIRA BLDRS. - NICEWONGER RES. T20922651
----------------	---------------	-----------------------------------	----------	----------	---

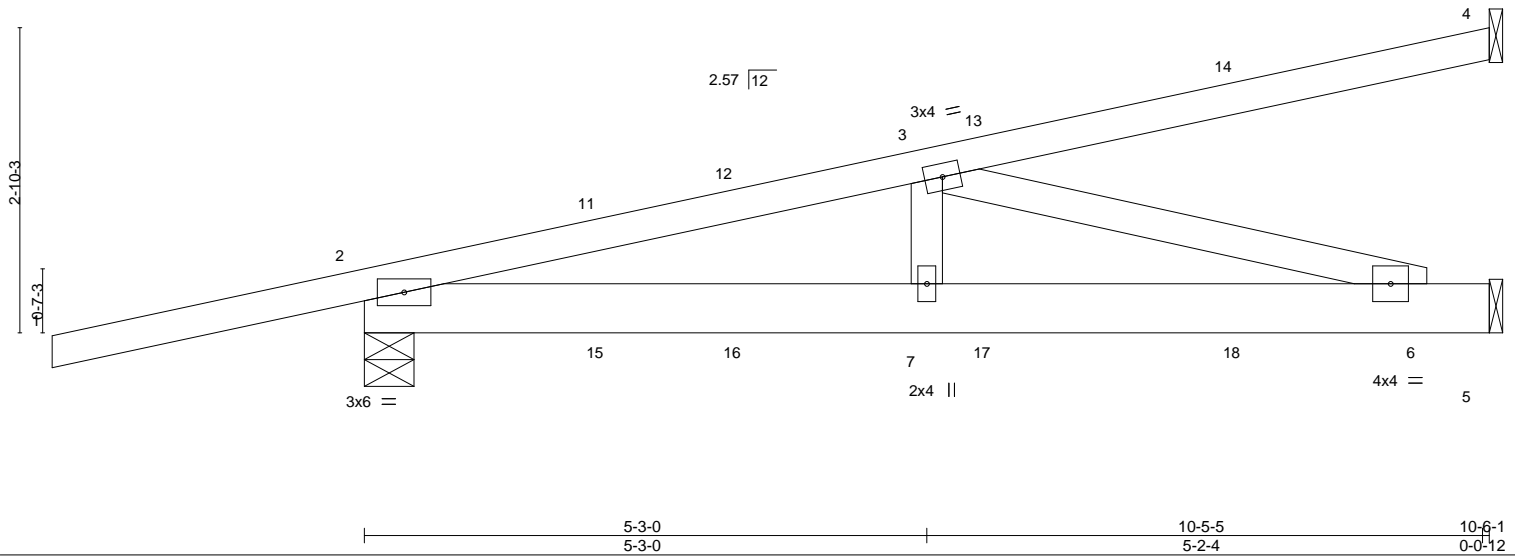
Builders FirstSource, Jacksonville, FL - 32244,

8.240 s Mar 9 2020 MiTek Industries, Inc. Tue Aug 4 13:01:00 2020 Page 1

ID:aWWYZLKSHCowoxc8cTlVYrGuq-szFgcFQwDqtNYwuaYP8_WzSGDRQT7TQj7qNqtYrDWX



Scale = 1:21.5



LOADING (psf)	SPACING-	2-0-0	CSI.	DEFL.	in (loc)	l/defl	L/d	PLATES	GRIP
TCLL 20.0	Plate Grip DOL	1.25	TC 0.58	Vert(LL)	0.07 6-7	>999	240	MT20	244/190
TCDL 7.0	Lumber DOL	1.25	BC 0.38	Vert(CT)	-0.07 6-7	>999	180		
BCLL 0.0 *	Rep Stress Incr	NO	WB 0.46	Horz(CT)	-0.01 5	n/a	n/a		
BCDL 10.0	Code FBC2017/TP12014		Matrix-MS					Weight: 53 lb	FT = 20%

LUMBER-
 TOP CHORD 2x4 SP No.2
 BOT CHORD 2x6 SP No.2
 WEBS 2x4 SP No.3

BRACING-
 TOP CHORD Structural wood sheathing directly applied or 5-10-12 oc purlins.
 BOT CHORD Rigid ceiling directly applied or 8-1-14 oc bracing.

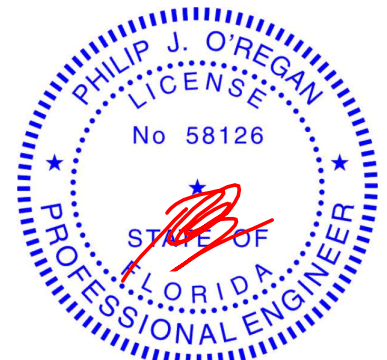
REACTIONS. (size) 4=Mechanical, 2=0-5-9, 5=Mechanical
 Max Horz 2=142(LC 4)
 Max Uplift 4=-180(LC 4), 2=-523(LC 4), 5=-263(LC 4)
 Max Grav 4=228(LC 1), 2=616(LC 1), 5=317(LC 1)

FORCES. (lb) - Max. Comp./Max. Ten. - All forces 250 (lb) or less except when shown.
 TOP CHORD 2-3=-965/720
 BOT CHORD 2-7=-752/920, 6-7=-752/920
 WEBS 3-7=-125/259, 3-6=-958/782

- NOTES-**
- 1) Wind: ASCE 7-10; Vult=130mph (3-second gust) Vasd=101mph; TCCL=4.2psf; BCDL=3.0psf; h=18ft; Cat. II; Exp C; Encl., GCpi=0.18; MWFRS (envelope) gable end zone; porch left and right exposed; Lumber DOL=1.60 plate grip DOL=1.60
 - 2) This truss has been designed for a 10.0 psf bottom chord live load nonconcurrent with any other live loads.
 - 3) * This truss has been designed for a live load of 20.0psf on the bottom chord in all areas where a rectangle 3-6-0 tall by 2-0-0 wide will fit between the bottom chord and any other members.
 - 4) Refer to girder(s) for truss to truss connections.
 - 5) Provide mechanical connection (by others) of truss to bearing plate capable of withstanding 100 lb uplift at joint(s) except (jt=lb) 4=180, 2=523, 5=263.
 - 6) Hanger(s) or other connection device(s) shall be provided sufficient to support concentrated load(s) 24 lb down and 40 lb up at 2-3-2, 14 lb down and 18 lb up at 3-6-8, 27 lb down and 52 lb up at 5-10-8, 61 lb down and 125 lb up at 6-1-13, and 41 lb down and 84 lb up at 8-2-8, and 94 lb down and 109 lb up at 10-5-5 on top chord, and 15 lb down and 35 lb up at 2-3-2, 7 lb down and 18 lb up at 3-6-8, 21 lb down and 37 lb up at 5-10-8, and 50 lb down and 84 lb up at 6-1-13, and 34 lb down and 54 lb up at 8-2-8 on bottom chord. The design/selection of such connection device(s) is the responsibility of others.
 - 7) In the LOAD CASE(S) section, loads applied to the face of the truss are noted as front (F) or back (B).

LOAD CASE(S) Standard

- 1) Dead + Roof Live (balanced): Lumber Increase=1.25, Plate Increase=1.25
 Uniform Loads (plf)
 Vert: 1-4=-54, 5-8=-20
 Concentrated Loads (lb)
 Vert: 4=-94(F) 13=-40(F=-3, B=-37) 14=-27(F) 15=-6(B) 16=3(F) 17=-44(F=-6, B=-37) 18=-24(F)



Philip J. O'Regan PE No.58126
 MiTek USA, Inc. FL Cert 6634
 6904 Parke East Blvd. Tampa FL 33610
 Date:

August 4, 2020

WARNING - Verify design parameters and READ NOTES ON THIS AND INCLUDED MITEK REFERENCE PAGE MII-7473 rev. 5/19/2020 BEFORE USE.
 Design valid for use only with MiTek® connectors. This design is based only upon parameters shown, and is for an individual building component, not a truss system. Before use, the building designer must verify the applicability of design parameters and properly incorporate this design into the overall building design. Bracing indicated is to prevent buckling of individual truss web and/or chord members only. Additional temporary and permanent bracing is always required for stability and to prevent collapse with possible personal injury and property damage. For general guidance regarding the fabrication, storage, delivery, erection and bracing of trusses and truss systems, see **ANSI/TPI1 Quality Criteria, DSB-89 and BCSI Building Component Safety Information** available from Truss Plate Institute, 2670 Crain Highway, Suite 203 Waldorf, MD 20601

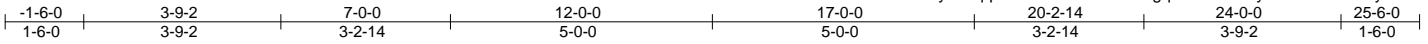


Job 2380539	Truss T01	Truss Type Hip Girder	Qty 1	Ply 1	AMIRA BLDRS. - NICEWONGER RES. Job Reference (optional)	T20922652
----------------	--------------	--------------------------	----------	----------	--	-----------

Builders FirstSource, Jacksonville, FL - 32244,

8.240 s Mar 9 2020 MiTek Industries, Inc. Tue Aug 4 13:01:02 2020 Page 1

ID:aWWYZZLKSHCowoxc8cTlVEVyrGuq-pMMQ1xSBIR75oE1zggBSbOXZ7FyHbLe0a7swxQyrDWW



Scale = 1:44.0

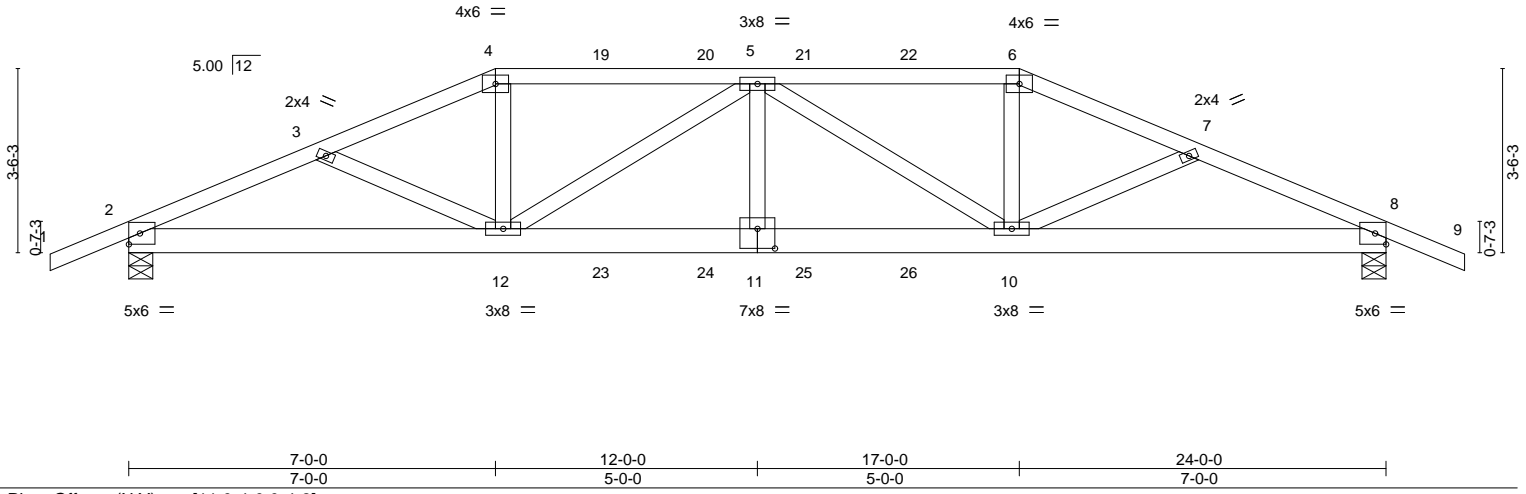


Plate Offsets (X,Y)--	[11:0-4-0,0-4-8]								
LOADING (psf)	SPACING-	2-0-0	CSI.	DEFL.	in (loc)	l/def	L/d	PLATES	GRIP
TCLL 20.0	Plate Grip DOL	1.25	TC 0.81	Vert(LL)	0.22 11	>999	240	MT20	244/190
TCDL 7.0	Lumber DOL	1.25	BC 0.93	Vert(CT)	-0.32 10-11	>889	180		
BCLL 0.0 *	Rep Stress Incr	NO	WB 0.61	Horz(CT)	0.08 8	n/a	n/a		
BCDL 10.0	Code FBC2017/TPI2014		Matrix-MS						
								Weight: 138 lb	FT = 20%

LUMBER-
 TOP CHORD 2x4 SP No.2
 BOT CHORD 2x6 SP No.2
 WEBS 2x4 SP No.3

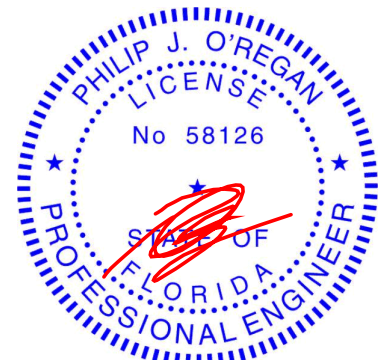
BRACING-
 TOP CHORD Structural wood sheathing directly applied or 2-4-6 oc purlins.
 BOT CHORD Rigid ceiling directly applied or 5-3-5 oc bracing.

REACTIONS. (size) 2=0-5-8, 8=0-5-8
 Max Horz 2=75(LC 31)
 Max Uplift 2=-873(LC 8), 8=-890(LC 9)
 Max Grav 2=1763(LC 1), 8=1796(LC 1)

FORCES. (lb) - Max. Comp./Max. Ten. - All forces 250 (lb) or less except when shown.
 TOP CHORD 2-3=-3519/1760, 3-4=-3417/1706, 4-5=-3182/1628, 5-6=-3251/1662, 6-7=-3494/1745, 7-8=-3594/1799
 BOT CHORD 2-12=-1608/3181, 11-12=-1923/3957, 10-11=-1923/3957, 8-10=-1569/3249
 WEBS 3-12=-165/251, 4-12=-360/890, 5-12=-981/550, 5-11=-70/450, 5-10=-885/471, 6-10=-311/840, 7-10=-170/255

- NOTES-**
- Unbalanced roof live loads have been considered for this design.
 - Wind: ASCE 7-10; Vult=130mph (3-second gust) Vasd=101mph; TCdL=4.2psf; BCdL=3.0psf; h=18ft; Cat. II; Exp C; Encl., GCpi=0.18; MWFRS (envelope) gable end zone; Lumber DOL=1.60 plate grip DOL=1.60
 - Provide adequate drainage to prevent water ponding.
 - This truss has been designed for a 10.0 psf bottom chord live load nonconcurrent with any other live loads.
 - * This truss has been designed for a live load of 20.0psf on the bottom chord in all areas where a rectangle 3-6-0 tall by 2-0-0 wide will fit between the bottom chord and any other members.
 - Provide mechanical connection (by others) of truss to bearing plate capable of withstanding 100 lb uplift at joint(s) except (it=lb) 2=873, 8=890.
 - Hanger(s) or other connection device(s) shall be provided sufficient to support concentrated load(s) 127 lb down and 123 lb up at 7-0-0, 109 lb down and 123 lb up at 9-0-12, 109 lb down and 123 lb up at 11-0-12, 109 lb down and 123 lb up at 12-11-4, and 109 lb down and 123 lb up at 14-11-4, and 235 lb down and 242 lb up at 17-0-0 on top chord, and 314 lb down and 182 lb up at 7-0-0, 84 lb down and 30 lb up at 9-0-12, 84 lb down and 30 lb up at 11-0-12, 84 lb down and 30 lb up at 12-11-4, and 84 lb down and 30 lb up at 14-11-4, and 314 lb down and 182 lb up at 16-11-4 on bottom chord. The design/selection of such connection device(s) is the responsibility of others.
 - In the LOAD CASE(S) section, loads applied to the face of the truss are noted as front (F) or back (B).

LOAD CASE(S) Standard
 1) Dead + Roof Live (balanced): Lumber Increase=1.25, Plate Increase=1.25
 Uniform Loads (plf)
 Vert: 1-4=-54, 4-6=-54, 6-9=-54, 13-16=-20



Philip J. O'Regan PE No.58126
 MiTek USA, Inc. FL Cert 6634
 6904 Parke East Blvd. Tampa FL 33610
 Date:

August 4, 2020

Continued on page 2

WARNING - Verify design parameters and READ NOTES ON THIS AND INCLUDED MITEK REFERENCE PAGE MII-7473 rev. 5/19/2020 BEFORE USE.
 Design valid for use only with MiTek® connectors. This design is based only upon parameters shown, and is for an individual building component, not a truss system. Before use, the building designer must verify the applicability of design parameters and properly incorporate this design into the overall building design. Bracing indicated is to prevent buckling of individual truss web and/or chord members only. Additional temporary and permanent bracing is always required for stability and to prevent collapse with possible personal injury and property damage. For general guidance regarding the fabrication, storage, delivery, erection and bracing of trusses and truss systems, see **ANSI/TPI1 Quality Criteria, DSB-89 and BCSI Building Component Safety Information** available from Truss Plate Institute, 2670 Crain Highway, Suite 203 Waldorf, MD 20601



6904 Parke East Blvd.
 Tampa, FL 36610

Job 2380539	Truss T01	Truss Type Hip Girder	Qty 1	Ply 1	AMIRA BLDRS. - NICEWONGER RES. T20922652 Job Reference (optional)
----------------	--------------	--------------------------	----------	----------	---

Builders FirstSource, Jacksonville, FL - 32244,

8.240 s Mar 9 2020 MiTek Industries, Inc. Tue Aug 4 13:01:02 2020 Page 2
ID:aWWYZLKSHCowoxc8cTivEYrGuq-pMMQ1xSBIR75oE1zggBSbOXZ7FyHbLe0a7swxQyrDWV

LOAD CASE(S) Standard

Concentrated Loads (lb)

Vert: 4=-109(B) 6=-188(B) 12=-314(B) 10=-314(B) 19=-109(B) 20=-109(B) 21=-109(B) 22=-109(B) 23=-65(B) 24=-65(B) 25=-65(B) 26=-65(B)

WARNING - Verify design parameters and READ NOTES ON THIS AND INCLUDED MITEK REFERENCE PAGE MII-7473 rev. 5/19/2020 BEFORE USE.

Design valid for use only with MiTek® connectors. This design is based only upon parameters shown, and is for an individual building component, not a truss system. Before use, the building designer must verify the applicability of design parameters and properly incorporate this design into the overall building design. Bracing indicated is to prevent buckling of individual truss web and/or chord members only. Additional temporary and permanent bracing is always required for stability and to prevent collapse with possible personal injury and property damage. For general guidance regarding the fabrication, storage, delivery, erection and bracing of trusses and truss systems, see **ANSI/TPI1 Quality Criteria, DSB-89 and BCS1 Building Component Safety Information** available from Truss Plate Institute, 2670 Crain Highway, Suite 203 Waldorf, MD 20601



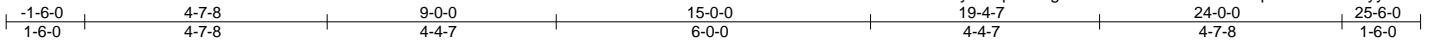
6904 Parke East Blvd.
Tampa, FL 36610

Job 2380539	Truss T02	Truss Type Hip	Qty 1	Ply 1	AMIRA BLDRS. - NICEWONGER RES. T20922653
----------------	--------------	-------------------	----------	----------	---

Builders FirstSource, Jacksonville, FL - 32244,

8.240 s Mar 9 2020 MiTek Industries, Inc. Tue Aug 4 13:01:10 2020 Page 1

ID:aWWYZLKSHCwoxc8cTivEVyrGuq-aurSigYCsU7zlSfV8WKKw4s?KTiPT4EBQNoLDyyrDWN



Scale = 1:44.0

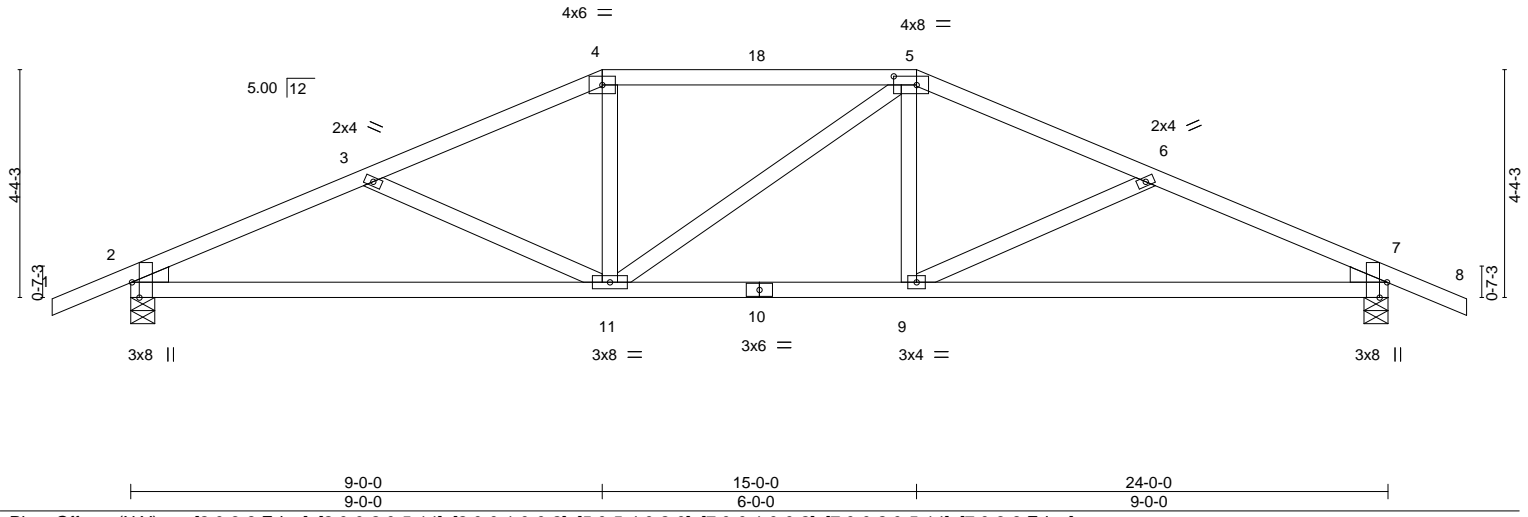


Plate Offsets (X,Y)--	[2:0-3-8,Edge], [2:0-0-2,0-5-14], [2:0-0-1,0-0-2], [5:0-5-4,0-2-0], [7:0-0-1,0-0-2], [7:0-0-2,0-5-14], [7:0-3-8,Edge]
-----------------------	---

LOADING (psf)	SPACING-	2-0-0	CSI.	DEFL.	in (loc)	l/defl	L/d	PLATES	GRIP
TCLL 20.0	Plate Grip DOL	1.25	TC 0.48	Vert(LL)	-0.12	9-17	>999	MT20	244/190
TCDL 7.0	Lumber DOL	1.25	BC 0.70	Vert(CT)	-0.25	9-17	>999		
BCLL 0.0 *	Rep Stress Incr	YES	WB 0.12	Horz(CT)	0.05	7	n/a		
BCDL 10.0	Code FBC2017/TPI2014		Matrix-MS					Weight: 116 lb	FT = 20%

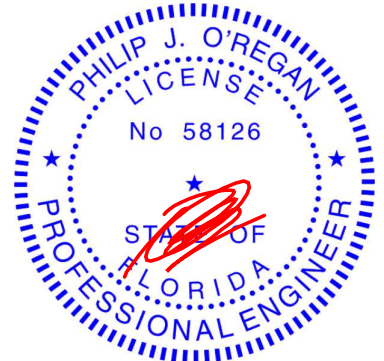
LUMBER-
 TOP CHORD 2x4 SP No.2
 BOT CHORD 2x4 SP No.2
 WEBS 2x4 SP No.3
 WEDGE
 Left: 2x4 SP No.3, Right: 2x4 SP No.3

BRACING-
 TOP CHORD Structural wood sheathing directly applied or 4-4-5 oc purlins.
 BOT CHORD Rigid ceiling directly applied or 6-11-4 oc bracing.

REACTIONS. (size) 2=0-5-8, 7=0-5-8
 Max Horz 2=-92(LC 13)
 Max Uplift 2=-392(LC 12), 7=-392(LC 13)
 Max Grav 2=969(LC 1), 7=969(LC 1)

FORCES. (lb) - Max. Comp./Max. Ten. - All forces 250 (lb) or less except when shown.
 TOP CHORD 2-3=-1628/882, 3-4=-1396/738, 4-5=-1257/730, 5-6=-1396/738, 6-7=-1628/882
 BOT CHORD 2-11=-695/1456, 9-11=-499/1256, 7-9=-709/1456
 WEBS 4-11=-48/320, 5-9=-50/320

- NOTES-**
- 1) Unbalanced roof live loads have been considered for this design.
 - 2) Wind: ASCE 7-10; Vult=130mph (3-second gust) Vasd=101mph; TCCL=4.2psf; BCCL=3.0psf; h=18ft; Cat. II; Exp C; Encl., GCpi=0.18; MWFRS (envelope) gable end zone and C-C Exterior(2) zone; C-C for members and forces & MWFRS for reactions shown; Lumber DOL=1.60 plate grip DOL=1.60
 - 3) Provide adequate drainage to prevent water ponding.
 - 4) This truss has been designed for a 10.0 psf bottom chord live load nonconcurrent with any other live loads.
 - 5) * This truss has been designed for a live load of 20.0psf on the bottom chord in all areas where a rectangle 3-6-0 tall by 2-0-0 wide will fit between the bottom chord and any other members.
 - 6) Provide mechanical connection (by others) of truss to bearing plate capable of withstanding 100 lb uplift at joint(s) except (jt=lb) 2=392, 7=392.



Philip J. O'Regan PE No.58126
 MiTek USA, Inc. FL Cert 6634
 6904 Parke East Blvd. Tampa FL 33610
 Date:

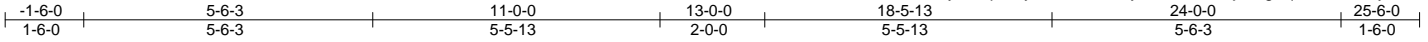
August 4, 2020

Job 2380539	Truss T03	Truss Type Hip	Qty 1	Ply 1	AMIRA BLDRS. - NICEWONGER RES. Job Reference (optional)	T20922654
----------------	--------------	-------------------	----------	----------	--	-----------

Builders FirstSource, Jacksonville, FL - 32244,

8.240 s Mar 9 2020 MiTek Industries, Inc. Tue Aug 4 13:01:14 2020 Page 1

ID:aWWYZLKSHCowoxc8cTlvEVyrGuq-St5yY2biw7dOE4yHNMOG4w1jz49gPq5nL?mZMkyrDWJ



Scale = 1:44.0

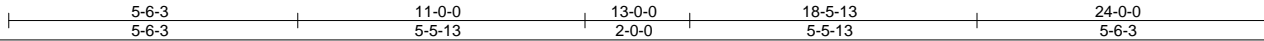
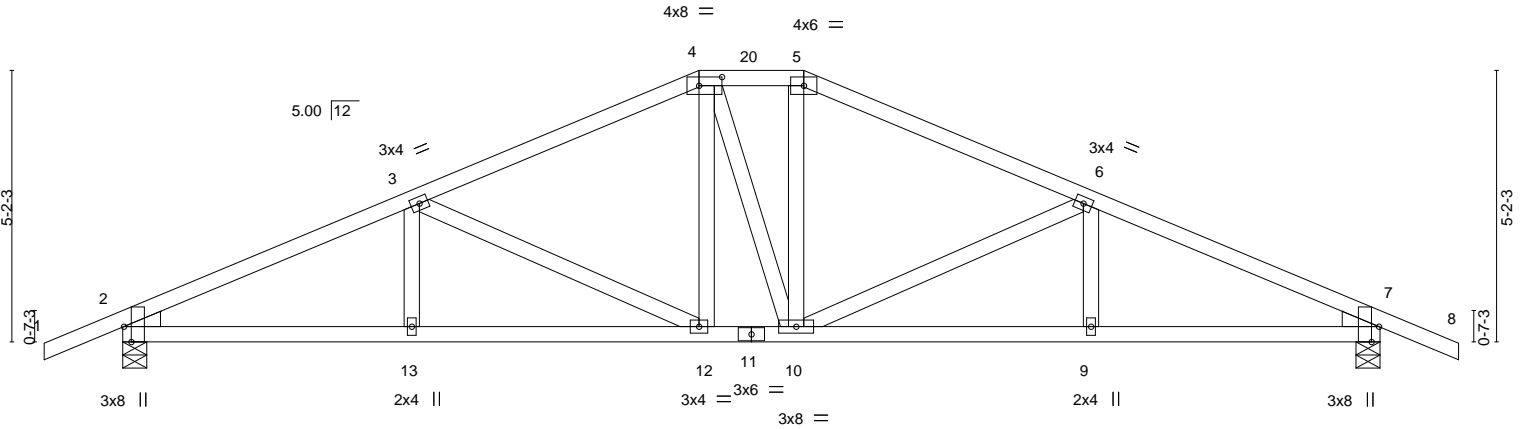


Plate Offsets (X,Y)--	[2:0-3-8,Edge], [2:0-0-2,0-5-14], [2:0-0-1,0-0-2], [4:0-5-4,0-2-0], [7:0-0-1,0-0-2], [7:0-0-2,0-5-14], [7:0-3-8,Edge]
-----------------------	---

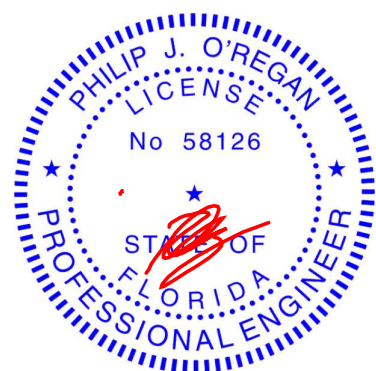
LOADING (psf)	SPACING-	2-0-0	CSI.	DEFL.	in (loc)	l/defl	L/d	PLATES	GRIP
TCLL 20.0	Plate Grip DOL	1.25	TC 0.37	Vert(LL)	-0.08 12-13	>999	240	MT20	244/190
TCDL 7.0	Lumber DOL	1.25	BC 0.58	Vert(CT)	-0.17 12-13	>999	180		
BCLL 0.0 *	Rep Stress Incr	YES	WB 0.32	Horz(CT)	0.05 7	n/a	n/a		
BCDL 10.0	Code FBC2017/TPI2014		Matrix-MS					Weight: 127 lb	FT = 20%

LUMBER-	BRACING-
TOP CHORD 2x4 SP No.2	TOP CHORD Structural wood sheathing directly applied or 4-3-8 oc purlins.
BOT CHORD 2x4 SP No.2	BOT CHORD Rigid ceiling directly applied or 7-0-6 oc bracing.
WEBS 2x4 SP No.3	
WEDGE	
Left: 2x4 SP No.3, Right: 2x4 SP No.3	

REACTIONS. (size) 2=0-5-8, 7=0-5-8
 Max Horz 2=110(LC 12)
 Max Uplift 2=-388(LC 12), 7=-388(LC 13)
 Max Grav 2=969(LC 1), 7=969(LC 1)

FORCES. (lb) - Max. Comp./Max. Ten. - All forces 250 (lb) or less except when shown.
 TOP CHORD 2-3=-1643/865, 3-4=-1237/696, 4-5=-1095/695, 5-6=-1238/697, 6-7=-1642/864
 BOT CHORD 2-13=-679/1465, 12-13=-679/1465, 10-12=-419/1094, 9-10=-692/1464, 7-9=-692/1464
 WEBS 3-12=-441/306, 4-12=-110/276, 5-10=-111/279, 6-10=-439/305

- NOTES-**
- 1) Unbalanced roof live loads have been considered for this design.
 - 2) Wind: ASCE 7-10; Vult=130mph (3-second gust) Vasd=101mph; TCCL=4.2psf; BCCL=3.0psf; h=18ft; Cat. II; Exp C; Encl., GCpi=0.18; MWFRS (envelope) gable end zone and C-C Exterior(2) zone; C-C for members and forces & MWFRS for reactions shown; Lumber DOL=1.60 plate grip DOL=1.60
 - 3) Provide adequate drainage to prevent water ponding.
 - 4) This truss has been designed for a 10.0 psf bottom chord live load nonconcurrent with any other live loads.
 - 5) * This truss has been designed for a live load of 20.0psf on the bottom chord in all areas where a rectangle 3-6-0 tall by 2-0-0 wide will fit between the bottom chord and any other members.
 - 6) Provide mechanical connection (by others) of truss to bearing plate capable of withstanding 100 lb uplift at joint(s) except (jt=lb) 2=388, 7=388.



Philip J. O'Regan PE No.58126
 MiTek USA, Inc. FL Cert 6634
 6904 Parke East Blvd. Tampa FL 33610
 Date:

August 4, 2020

WARNING - Verify design parameters and READ NOTES ON THIS AND INCLUDED MITEK REFERENCE PAGE MII-7473 rev. 5/19/2020 BEFORE USE.

Design valid for use only with MiTek® connectors. This design is based only upon parameters shown, and is for an individual building component, not a truss system. Before use, the building designer must verify the applicability of design parameters and properly incorporate this design into the overall building design. Bracing indicated is to prevent buckling of individual truss web and/or chord members only. Additional temporary and permanent bracing is always required for stability and to prevent collapse with possible personal injury and property damage. For general guidance regarding the fabrication, storage, delivery, erection and bracing of trusses and truss systems, see **ANSI/TPI1 Quality Criteria, DSB-89 and BCSI Building Component Safety Information** available from Truss Plate Institute, 2670 Crain Highway, Suite 203 Waldorf, MD 20601

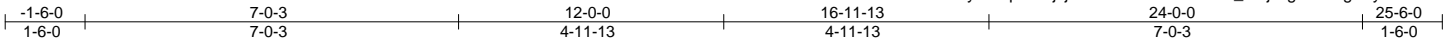
6904 Parke East Blvd.
 Tampa, FL 36610

Job 2380539	Truss T04	Truss Type Common	Qty 6	Ply 1	AMIRA BLDRS. - NICEWONGER RES. T20922655
----------------	--------------	----------------------	----------	----------	---

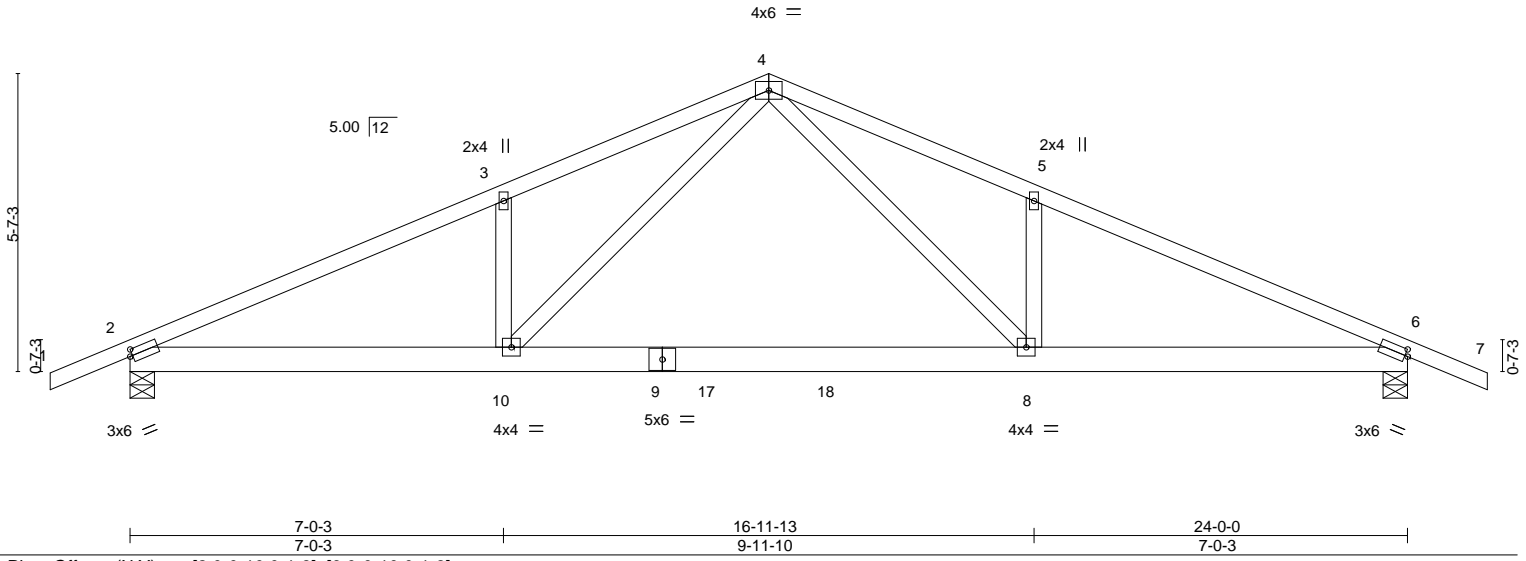
Builders FirstSource, Jacksonville, FL - 32244,

8.240 s Mar 9 2020 MiTek Industries, Inc. Tue Aug 4 13:01:16 2020 Page 1

ID:aWWYZLKSHCwoxoc8cTivEYrGuq-O2CjzyczSku6TN6fUmRk9L6_MujRtg84oJFgRcyrDWH



Scale = 1:43.3



LOADING (psf)	SPACING-	2-0-0	CSI.	DEFL.	in (loc)	l/defl	L/d	PLATES	GRIP
TCLL 20.0	Plate Grip DOL	1.25	TC 0.70	Vert(LL)	0.30	8-10	>968	240	244/190
TCDL 7.0	Lumber DOL	1.25	BC 1.00	Vert(CT)	-0.51	8-10	>563	180	
BCLL 0.0 *	Rep Stress Incr	NO	WB 0.61	Horz(CT)	0.05	6	n/a	n/a	
BCDL 10.0	Code FBC2017/TPI2014		Matrix-MS						
								Weight: 129 lb	FT = 20%

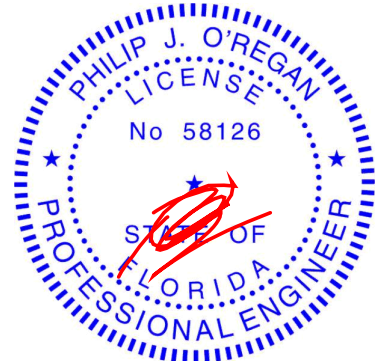
LUMBER-	BRACING-
TOP CHORD 2x4 SP No.2	TOP CHORD Structural wood sheathing directly applied or 3-1-4 oc purlins.
BOT CHORD 2x6 SP No.2	BOT CHORD Rigid ceiling directly applied or 7-0-5 oc bracing.
WEBS 2x4 SP No.3	

REACTIONS. (size) 2=0-5-8, 6=0-5-8
 Max Horz 2=-118(LC 17)
 Max Uplift 2=-525(LC 12), 6=-525(LC 13)
 Max Grav 2=1268(LC 1), 6=1268(LC 1)

FORCES. (lb) - Max. Comp./Max. Ten. - All forces 250 (lb) or less except when shown.
 TOP CHORD 2-3=-2482/1289, 3-4=-2458/1428, 4-5=-2458/1428, 5-6=-2482/1289
 BOT CHORD 2-10=-1052/2218, 8-10=-632/1456, 6-8=-1062/2218
 WEBS 4-8=-624/1128, 5-8=-302/320, 4-10=-624/1128, 3-10=-302/320

- NOTES-**
- Unbalanced roof live loads have been considered for this design.
 - Wind: ASCE 7-10; Vult=130mph (3-second gust) Vasd=101mph; TC DL=4.2psf; BCDL=3.0psf; h=18ft; Cat. II; Exp C; Encl., GCpi=0.18; MWFRS (envelope) gable end zone and C-C Exterior(2) zone; C-C for members and forces & MWFRS for reactions shown; Lumber DOL=1.60 plate grip DOL=1.60
 - This truss has been designed for a 10.0 psf bottom chord live load nonconcurrent with any other live loads.
 - * This truss has been designed for a live load of 20.0psf on the bottom chord in all areas where a rectangle 3-6-0 tall by 2-0-0 wide will fit between the bottom chord and any other members, with BCDL = 10.0psf.
 - Provide mechanical connection (by others) of truss to bearing plate capable of withstanding 100 lb uplift at joint(s) except (jt=lb) 2=525, 6=525.
 - In the LOAD CASE(S) section, loads applied to the face of the truss are noted as front (F) or back (B).

LOAD CASE(S) Standard
 1) Dead + Roof Live (balanced): Lumber Increase=1.25, Plate Increase=1.25
 Uniform Loads (plf)
 Vert: 1-4=-54, 4-7=-54, 10-11=-20, 8-10=-80(F=-60), 8-14=-20



Philip J. O'Regan PE No.58126
 MiTek USA, Inc. FL Cert 6634
 6904 Parke East Blvd. Tampa FL 33610
 Date:

August 4, 2020

Job 2380539	Truss T05	Truss Type Common	Qty 2	Ply 1	AMIRA BLDRS. - NICEWONGER RES. Job Reference (optional)	T20922656
----------------	--------------	----------------------	----------	----------	--	-----------

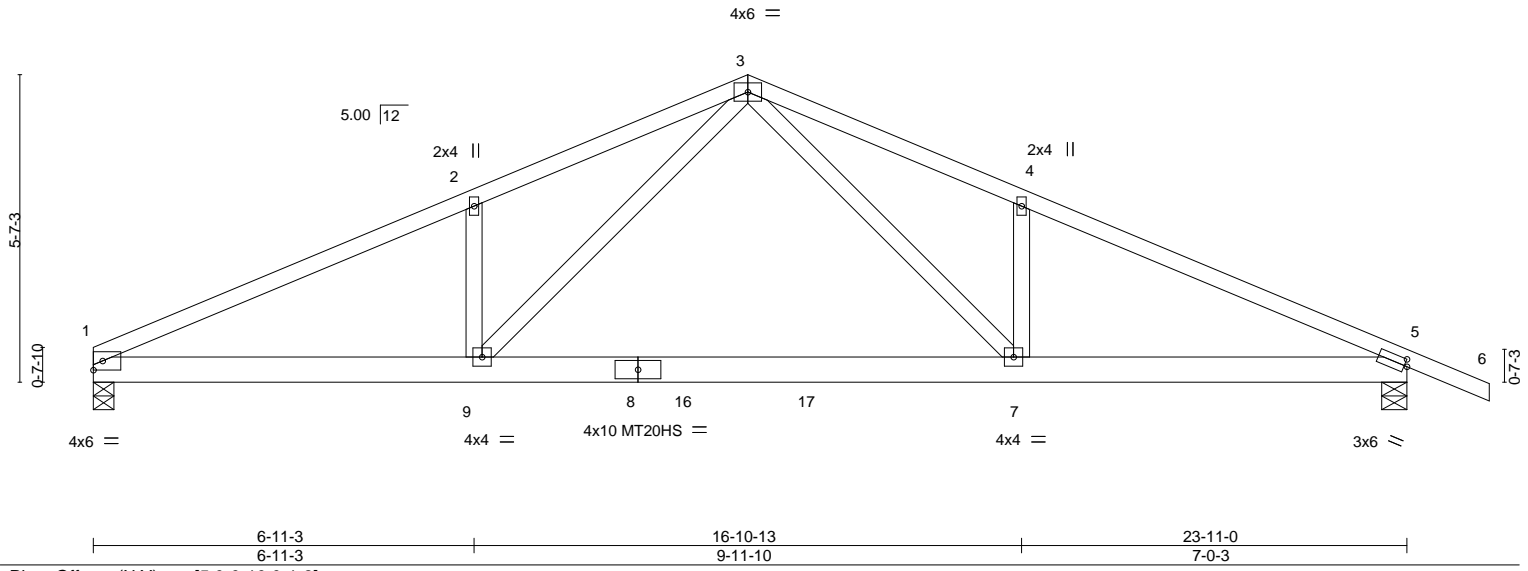
Builders FirstSource, Jacksonville, FL - 32244,

8.240 s Mar 9 2020 MiTek Industries, Inc. Tue Aug 4 13:01:22 2020 Page 1

ID:aWWYZLKSHCwoxoc8cTivEVyrGuq-DCa_Dnhk2aeGBIZpr1Y8PcM0xJoJHNcyAFI_fGyrDWB



Scale = 1:41.9



LOADING (psf)	SPACING-	2-0-0	CSI.	DEFL.	in (loc)	l/def	L/d	PLATES	GRIP
TCLL 20.0	Plate Grip DOL	1.25	TC 0.70	Vert(LL)	0.25	7-9	>999	240	244/190
TCDL 7.0	Lumber DOL	1.25	BC 0.85	Vert(CT)	-0.44	7-9	>657	180	187/143
BCLL 0.0 *	Rep Stress Incr	NO	WB 0.61	Horz(CT)	0.04	5	n/a	n/a	
BCDL 10.0	Code FBC2017/TPI2014		Matrix-MS						
								Weight: 126 lb	FT = 20%

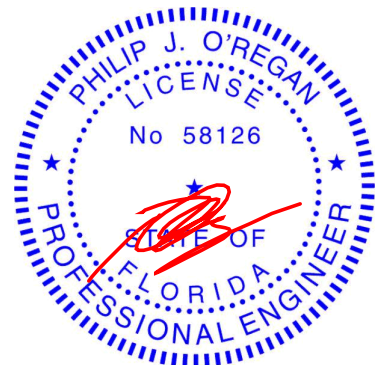
LUMBER-	BRACING-
TOP CHORD 2x4 SP No.2	TOP CHORD Structural wood sheathing directly applied or 3-1-12 oc purlins.
BOT CHORD 2x6 SP No.2 *Except* 5-8: 2x6 SP M 26	BOT CHORD Rigid ceiling directly applied or 7-1-2 oc bracing.
WEBS 2x4 SP No.3	

REACTIONS. (size) 1=0-4-8, 5=0-5-8
 Max Horz 1=-132(LC 13)
 Max Uplift 1=-473(LC 12), 5=-525(LC 13)
 Max Grav 1=1182(LC 1), 5=1266(LC 1)

FORCES. (lb) - Max. Comp./Max. Ten. - All forces 250 (lb) or less except when shown.
 TOP CHORD 1-2=-2449/1283, 2-3=-2425/1422, 3-4=-2457/1431, 4-5=-2480/1291
 BOT CHORD 1-9=-1057/2188, 7-9=-633/1446, 5-7=-1065/2217
 WEBS 2-9=-304/321, 3-9=-616/1101, 3-7=-625/1142, 4-7=-307/322

- NOTES-**
- Unbalanced roof live loads have been considered for this design.
 - Wind: ASCE 7-10; Vult=130mph (3-second gust) Vasd=101mph; TCCL=4.2psf; BCDL=3.0psf; h=18ft; Cat. II; Exp C; Encl., GCpi=0.18; MWFRS (envelope) gable end zone and C-C Exterior(2) zone; C-C for members and forces & MWFRS for reactions shown; Lumber DOL=1.60 plate grip DOL=1.60
 - All plates are MT20 plates unless otherwise indicated.
 - This truss has been designed for a 10.0 psf bottom chord live load nonconcurrent with any other live loads.
 - * This truss has been designed for a live load of 20.0psf on the bottom chord in all areas where a rectangle 3-6-0 tall by 2-0-0 wide will fit between the bottom chord and any other members, with BCDL = 10.0psf.
 - Provide mechanical connection (by others) of truss to bearing plate capable of withstanding 100 lb uplift at joint(s) except (jt=lb) 1=473, 5=525.
 - In the LOAD CASE(S) section, loads applied to the face of the truss are noted as front (F) or back (B).

LOAD CASE(S) Standard
 1) Dead + Roof Live (balanced): Lumber Increase=1.25, Plate Increase=1.25
 Uniform Loads (plf)
 Vert: 1-3=-54, 3-6=-54, 9-10=-20, 7-9=-80(F=-60), 7-13=-20



Philip J. O'Regan PE No.58126
 MiTek USA, Inc. FL Cert 6634
 6904 Parke East Blvd. Tampa FL 33610
 Date:

August 4, 2020

WARNING - Verify design parameters and READ NOTES ON THIS AND INCLUDED MITEK REFERENCE PAGE MII-7473 rev. 5/19/2020 BEFORE USE.
 Design valid for use only with MiTek® connectors. This design is based only upon parameters shown, and is for an individual building component, not a truss system. Before use, the building designer must verify the applicability of design parameters and properly incorporate this design into the overall building design. Bracing indicated is to prevent buckling of individual truss web and/or chord members only. Additional temporary and permanent bracing is always required for stability and to prevent collapse with possible personal injury and property damage. For general guidance regarding the fabrication, storage, delivery, erection and bracing of trusses and truss systems, see ANSITPI1 Quality Criteria, DSB-89 and BCSI Building Component Safety Information available from Truss Plate Institute, 2670 Crain Highway, Suite 203 Waldorf, MD 20601



Job 2380539	Truss T06	Truss Type HIP GIRDER	Qty 1	Ply 2	AMIRA BLDRS. - NICEWONGER RES. T20922657 Job Reference (optional)
----------------	--------------	--------------------------	----------	----------	---

Builders FirstSource, Jacksonville, FL - 32244,

8.240 s Mar 9 2020 MiTek Industries, Inc. Tue Aug 4 13:01:32 2020 Page 2

ID:aWWYZLKSHCowoxc8cTlVrGuq-w7AmKcP?hfvOrKkQ7jUpimm0LHPdwhQUo7W?hyrDW1

NOTES-

9) Hanger(s) or other connection device(s) shall be provided sufficient to support concentrated load(s) 115 lb down and 105 lb up at 7-0-0, 96 lb down and 105 lb up at 9-0-12, 96 lb down and 105 lb up at 11-0-12, 96 lb down and 105 lb up at 13-0-12, 96 lb down and 105 lb up at 15-0-12, 96 lb down and 105 lb up at 17-0-12, 109 lb down and 123 lb up at 18-11-4, 109 lb down and 123 lb up at 20-11-4, 109 lb down and 123 lb up at 22-11-4, 100 lb down and 109 lb up at 24-11-4, and 100 lb down and 109 lb up at 26-11-4, and 119 lb down and 109 lb up at 29-0-0 on top chord, and 468 lb down and 277 lb up at 7-0-0, 100 lb down and 45 lb up at 9-0-12, 100 lb down and 45 lb up at 11-0-12, 100 lb down and 45 lb up at 13-0-12, 100 lb down and 45 lb up at 15-0-12, 100 lb down and 45 lb up at 17-0-12, 84 lb down and 30 lb up at 18-7-12, 84 lb down and 30 lb up at 20-11-4, 84 lb down and 30 lb up at 23-1-12, 91 lb down and 43 lb up at 24-11-4, and 91 lb down and 43 lb up at 26-11-4, and 406 lb down and 276 lb up at 28-11-4 on bottom chord. The design/selection of such connection device(s) is the responsibility of others.

LOAD CASE(S) Standard

1) Dead + Roof Live (balanced): Lumber Increase=1.25, Plate Increase=1.25

Uniform Loads (plf)

Vert: 1-5=-54, 5-12=-54, 12-16=-54, 28-29=-20, 24-27=-20, 21-23=-20, 18-20=-20, 17-32=-20

Concentrated Loads (lb)

Vert: 5=-96(F) 12=-100(F) 8=-109(F) 21=-65(F) 10=-109(F) 6=-96(F) 25=-88(F) 24=-65(F) 22=-65(F) 9=-109(F) 19=-406(F) 35=-96(F) 36=-96(F) 37=-96(F) 38=-96(F) 40=-100(F) 41=-100(F) 42=-468(F) 43=-88(F) 44=-88(F) 45=-88(F) 46=-88(F) 47=-81(F) 48=-81(F)

WARNING - Verify design parameters and READ NOTES ON THIS AND INCLUDED MITEK REFERENCE PAGE MII-7473 rev. 5/19/2020 BEFORE USE.

Design valid for use only with MiTek® connectors. This design is based only upon parameters shown, and is for an individual building component, not a truss system. Before use, the building designer must verify the applicability of design parameters and properly incorporate this design into the overall building design. Bracing indicated is to prevent buckling of individual truss web and/or chord members only. Additional temporary and permanent bracing is always required for stability and to prevent collapse with possible personal injury and property damage. For general guidance regarding the fabrication, storage, delivery, erection and bracing of trusses and truss systems, see **ANSI/TPI1 Quality Criteria, DSB-89 and BCSI Building Component Safety Information** available from Truss Plate Institute, 2670 Crain Highway, Suite 203 Waldorf, MD 20601



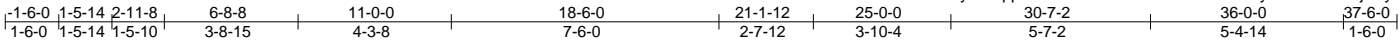
6904 Parke East Blvd.
Tampa, FL 36610

Job 2380539	Truss T08	Truss Type Hip	Qty 1	Ply 1	AMIRA BLDRS. - NICEWONGER RES. T20922659
----------------	--------------	-------------------	----------	----------	---

Builders FirstSource, Jacksonville, FL - 32244,

8.240 s Mar 9 2020 MiTek Industries, Inc. Tue Aug 4 13:01:36 2020 Page 1

ID:aWWYZLKSHCOWOXc8cTivEVyrGuq-puQH9ZsWluPHtSeVfzoQzYxPmydCYiX0OQ5j7SyrDVz



Scale: 3/16"=1'

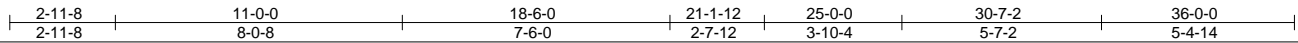
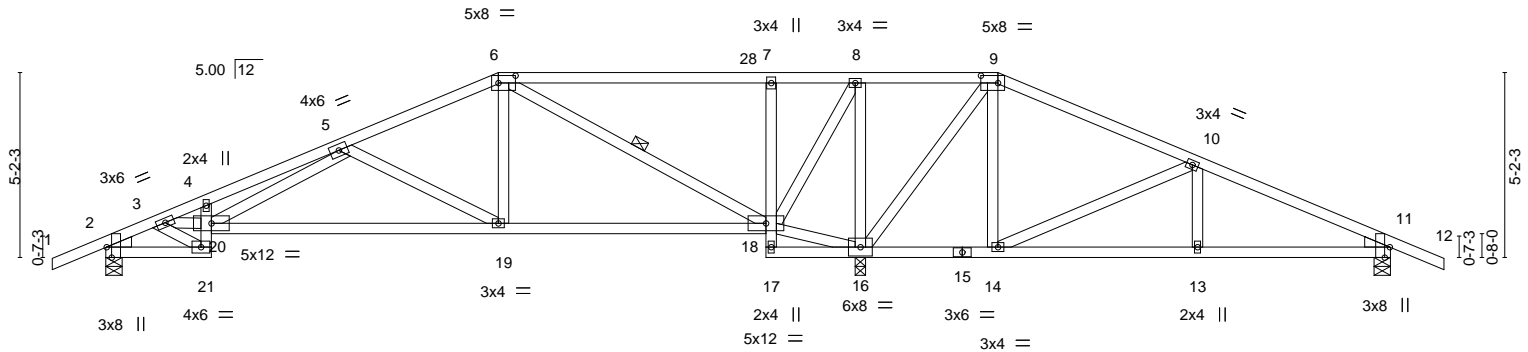


Plate Offsets (X,Y)--	[2:0-3-8,Edge], [2:0-0-2,0-5-14], [2:0-0-1,0-0-2], [6:0-5-12,0-2-8], [9:0-5-12,0-2-8], [11:0-0-1,0-0-2], [11:0-0-2,0-5-14], [11:0-3-8,Edge]
-----------------------	---

LOADING (psf)	SPACING-	2-0-0	CSI.	DEFL.	in (loc)	l/defl	L/d	PLATES	GRIP
TCLL 20.0	Plate Grip DOL	1.25	TC 0.67	Vert(LL)	-0.14 19-20	>999	240	MT20	244/190
TCDL 7.0	Lumber DOL	1.25	BC 0.68	Vert(CT)	-0.30 19-20	>842	180		
BCLL 0.0 *	Rep Stress Incr	YES	WB 0.64	Horz(CT)	0.05 16	n/a	n/a		
BCDL 10.0	Code FBC2017/TPI2014		Matrix-MS					Weight: 206 lb	FT = 20%

LUMBER-	BRACING-
TOP CHORD 2x4 SP No.2	TOP CHORD Structural wood sheathing directly applied or 4-2-4 oc purlins.
BOT CHORD 2x4 SP No.2 *Except* 4-21,7-17: 2x4 SP No.3	BOT CHORD Rigid ceiling directly applied or 6-0-0 oc bracing.
WEBS 2x4 SP No.3	WEBS 1 Row at midpt 6-18
WEDGE Left: 2x4 SP No.3, Right: 2x4 SP No.3	

REACTIONS. (size) 2=0-5-8, 16=0-3-8, 11=0-5-8
 Max Horz 2=-110(LC 17)
 Max Uplift 2=-314(LC 12), 16=-672(LC 8), 11=-240(LC 13)
 Max Grav 2=678(LC 23), 16=1840(LC 1), 11=406(LC 24)

FORCES. (lb) - Max. Comp./Max. Ten. - All forces 250 (lb) or less except when shown.
 TOP CHORD 2-3=-870/448, 3-4=-1550/735, 4-5=-1817/882, 5-6=-614/315, 6-7=-98/453,
 7-8=-114/480, 8-9=-306/904, 9-10=-195/452, 10-11=-389/275
 BOT CHORD 2-21=-374/716, 20-21=-129/303, 19-20=-470/946, 18-19=-173/539, 7-18=-373/285,
 14-16=-398/327, 13-14=-166/322, 11-13=-166/322
 WEBS 3-21=-530/249, 3-20=-550/1171, 5-20=-379/840, 5-19=-476/367, 6-19=-119/482,
 6-18=-1062/498, 16-18=-889/641, 8-18=-382/834, 8-16=-824/390, 9-16=-908/454,
 9-14=-117/363, 10-14=-573/385

- NOTES-**
- Unbalanced roof live loads have been considered for this design.
 - Wind: ASCE 7-10; Vult=130mph (3-second gust) Vasd=101mph; TC DL=4.2psf; BCDL=3.0psf; h=18ft; Cat. II; Exp C; Encl., GCpi=0.18; MWFRS (envelope) gable end zone and C-C Exterior(2) zone; C-C for members and forces & MWFRS for reactions shown; Lumber DOL=1.60 plate grip DOL=1.60
 - Provide adequate drainage to prevent water ponding.
 - This truss has been designed for a 10.0 psf bottom chord live load nonconcurrent with any other live loads.
 - * This truss has been designed for a live load of 20.0psf on the bottom chord in all areas where a rectangle 3-6-0 tall by 2-0-0 wide will fit between the bottom chord and any other members.
 - Provide mechanical connection (by others) of truss to bearing plate capable of withstanding 100 lb uplift at joint(s) except (jt=lb) 2=314, 16=672, 11=240.



Philip J. O'Regan PE No.58126
 MiTek USA, Inc. FL Cert 6634
 6904 Parke East Blvd. Tampa FL 33610
 Date:

August 4, 2020

WARNING - Verify design parameters and READ NOTES ON THIS AND INCLUDED MITEK REFERENCE PAGE MII-7473 rev. 5/19/2020 BEFORE USE.
 Design valid for use only with MiTek® connectors. This design is based only upon parameters shown, and is for an individual building component, not a truss system. Before use, the building designer must verify the applicability of design parameters and properly incorporate this design into the overall building design. Bracing indicated is to prevent buckling of individual truss web and/or chord members only. Additional temporary and permanent bracing is always required for stability and to prevent collapse with possible personal injury and property damage. For general guidance regarding the fabrication, storage, delivery, erection and bracing of trusses and truss systems, see **ANSI/TPI1 Quality Criteria, DSB-89 and BCSI Building Component Safety Information** available from Truss Plate Institute, 2670 Crain Highway, Suite 203 Waldorf, MD 20601

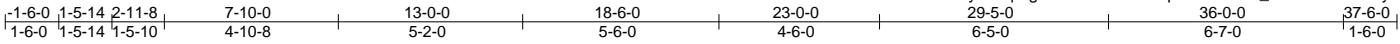


Job 2380539	Truss T09	Truss Type Hip	Qty 1	Ply 1	AMIRA BLDRS. - NICEWONGER RES. T20922660
----------------	--------------	-------------------	----------	----------	---

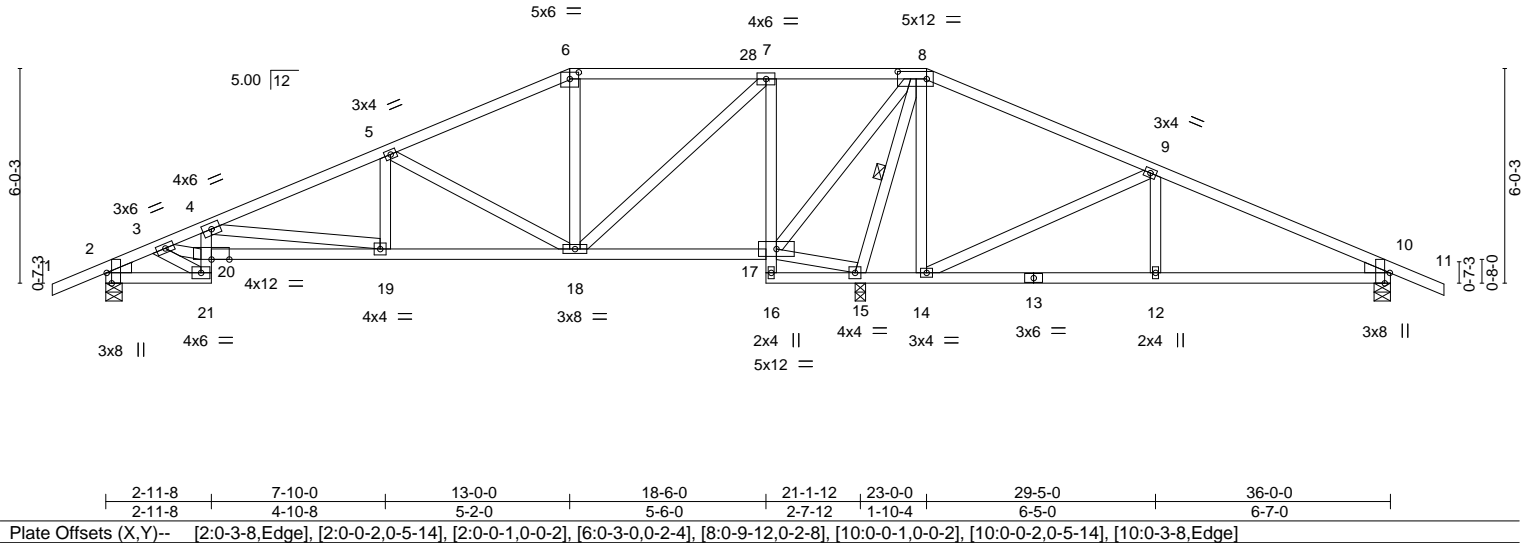
Builders FirstSource, Jacksonville, FL - 32244,

8.240 s Mar 9 2020 MiTek Industries, Inc. Tue Aug 4 13:01:40 2020 Page 1

ID:aWWYZLKSHCowoxc8cTlvEVyrGuq-hgfn?xv0o6viL3xGupsM7O66nZ_DUVkcJ23xGDyrDVv



Scale: 3/16"=1'



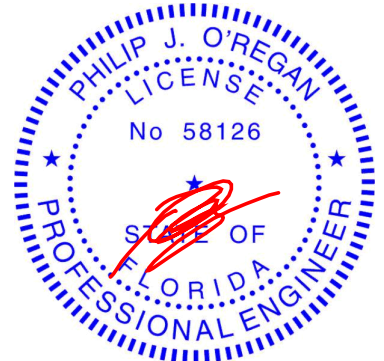
LOADING (psf)	SPACING-	2-0-0	CSI.	DEFL.	in (loc)	l/defl	L/d	PLATES	GRIP
TCLL 20.0	Plate Grip DOL	1.25	TC 0.54	Vert(LL)	0.09 19-20	>999	240	MT20	244/190
TCDL 7.0	Lumber DOL	1.25	BC 0.67	Vert(CT)	-0.14 19-20	>999	180		
BCLL 0.0 *	Rep Stress Incr	YES	WB 0.69	Horz(CT)	0.06 15	n/a	n/a		
BCDL 10.0	Code FBC2017/TPI2014		Matrix-MS					Weight: 212 lb	FT = 20%

LUMBER-	BRACING-
TOP CHORD 2x4 SP No.2	TOP CHORD Structural wood sheathing directly applied or 4-7-10 oc purlins.
BOT CHORD 2x4 SP No.2 *Except* 4-21,7-16: 2x4 SP No.3	BOT CHORD Rigid ceiling directly applied or 6-0-0 oc bracing.
WEBS 2x4 SP No.3	WEBS 1 Row at midpt 8-15
WEDGE Left: 2x4 SP No.3, Right: 2x4 SP No.3	

REACTIONS. (size) 2=0-5-8, 15=0-3-8, 10=0-5-8
 Max Horz 2=-127(LC 13)
 Max Uplift 2=-311(LC 12), 15=-610(LC 12), 10=-253(LC 13)
 Max Grav 2=684(LC 23), 15=1830(LC 1), 10=433(LC 24)

FORCES. (lb) - Max. Comp./Max. Ten. - All forces 250 (lb) or less except when shown.
 TOP CHORD 2-3=-871/456, 3-4=-1541/768, 4-5=-1013/514, 5-6=-400/252, 6-7=-310/273,
 7-8=-74/405, 8-9=-218/612, 9-10=-397/282
 BOT CHORD 2-21=-380/714, 20-21=-126/272, 19-20=-855/1657, 18-19=-407/895, 17-18=-395/386,
 7-17=-881/506, 14-15=-503/421, 12-14=-190/320, 10-12=-190/320
 WEBS 3-21=-464/239, 3-20=-562/1120, 4-19=-771/453, 5-19=-49/314, 5-18=-662/423,
 7-18=-422/865, 15-17=-960/649, 8-17=-383/890, 8-15=-1523/710, 8-14=-118/379,
 9-14=-698/466, 9-12=0/291

- NOTES-**
- 1) Unbalanced roof live loads have been considered for this design.
 - 2) Wind: ASCE 7-10; Vult=130mph (3-second gust) Vasd=101mph; TC DL=4.2psf; BCDL=3.0psf; h=18ft; Cat. II; Exp C; Encl., GCpi=0.18; MWFRS (envelope) gable end zone and C-C Exterior(2) zone; C-C for members and forces & MWFRS for reactions shown; Lumber DOL=1.60 plate grip DOL=1.60
 - 3) Provide adequate drainage to prevent water ponding.
 - 4) This truss has been designed for a 10.0 psf bottom chord live load nonconcurrent with any other live loads.
 - 5) * This truss has been designed for a live load of 20.0psf on the bottom chord in all areas where a rectangle 3-6-0 tall by 2-0-0 wide will fit between the bottom chord and any other members.
 - 6) Provide mechanical connection (by others) of truss to bearing plate capable of withstanding 100 lb uplift at joint(s) except (jt=lb) 2=311, 15=610, 10=253.



Philip J. O'Regan PE No.58126
 MiTek USA, Inc. FL Cert 6634
 6904 Parke East Blvd. Tampa FL 33610
 Date:

August 4, 2020

Job 2380539	Truss T10	Truss Type Hip	Qty 1	Ply 1	AMIRA BLDRS. - NICEWONGER RES. Job Reference (optional)	T20922661
----------------	--------------	-------------------	----------	----------	--	-----------

Builders FirstSource, Jacksonville, FL - 32244,

8.240 s Mar 9 2020 MiTek Industries, Inc. Tue Aug 4 13:01:44 2020 Page 1

ID:aWWYZLKSHCowoxcBcTlvEVyrGuq-aRvrlryXsLP8qhF27fxlIEGIIAM_QFZBEg19P_yrDVR



Scale = 1:65.6

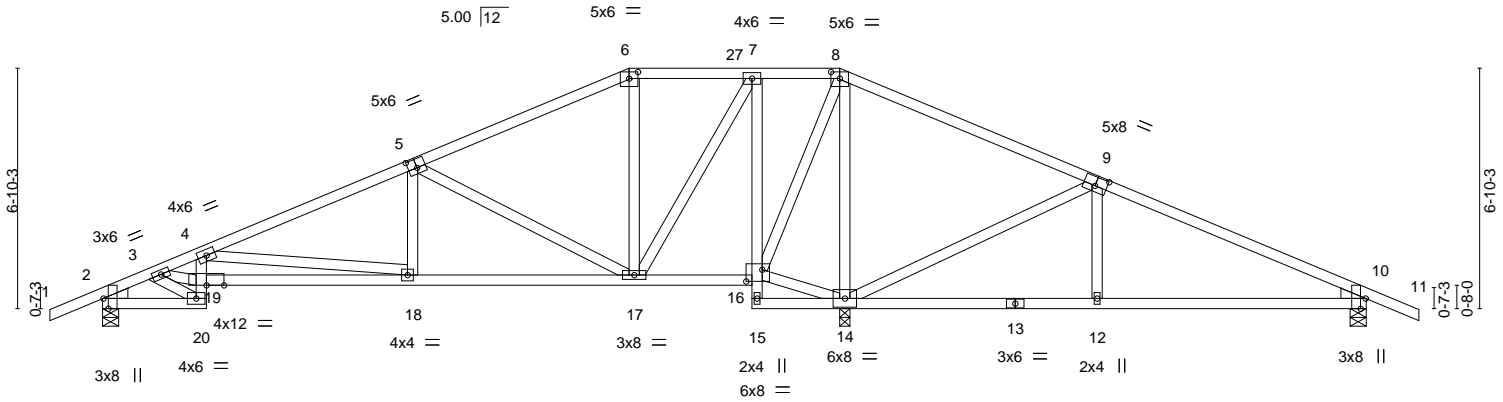


Plate Offsets (X,Y)-- [2:0-0-1,0-0-2], [2:0-0-2,0-5-14], [2:0-3-8,Edge], [5:0-3-0,0-3-0], [6:0-3-0,0-2-4], [8:0-3-0,0-2-4], [9:0-4-0,0-3-0], [10:0-0-2,0-5-14], [10:0-0-1,0-0-2], [10:0-3-8,Edge], [16:0-5-8,0-4-0]

LOADING (psf)	SPACING-	CSI.	DEFL.	PLATES	GRIP
TCLL 20.0	2-0-0	TC 0.74	in (loc) l/defl L/d	MT20	244/190
TCDL 7.0	Plate Grip DOL 1.25	BC 0.68	Vert(LL) 0.10 18-19 >999 240		
BCLL 0.0 *	Lumber DOL 1.25	WB 0.96	Vert(CT) -0.17 18-19 >999 180		
BCDL 10.0	Rep Stress Incr YES	Matrix-MS	Horz(CT) 0.06 14 n/a n/a		
	Code FBC2017/TPI2014			Weight: 212 lb	FT = 20%

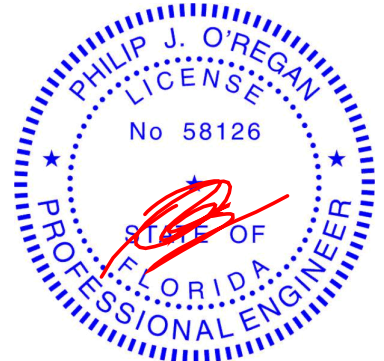
LUMBER-
 TOP CHORD 2x4 SP No.2
 BOT CHORD 2x4 SP No.2 *Except*
 4-20,7-15: 2x4 SP No.3
 WEBS 2x4 SP No.3
 WEDGE
 Left: 2x4 SP No.3, Right: 2x4 SP No.3

BRACING-
 TOP CHORD Structural wood sheathing directly applied or 4-7-1 oc purlins.
 BOT CHORD Rigid ceiling directly applied or 6-0-0 oc bracing.

REACTIONS. (size) 2=0-5-8, 14=0-3-8, 10=0-5-8
 Max Horz 2=145(LC 12)
 Max Uplift 2=-307(LC 12), 14=-614(LC 12), 10=-265(LC 13)
 Max Grav 2=686(LC 23), 14=1809(LC 1), 10=462(LC 24)

FORCES. (lb) - Max. Comp./Max. Ten. - All forces 250 (lb) or less except when shown.
 TOP CHORD 2-3=-869/463, 3-4=-1565/801, 4-5=-931/491, 7-8=-53/351, 8-9=-237/746,
 9-10=-407/284
 BOT CHORD 2-20=-385/711, 19-20=-122/267, 18-19=-910/1718, 17-18=-361/804, 16-17=-348/393,
 7-16=-829/429, 12-14=-230/321, 10-12=-230/322
 WEBS 3-20=-453/228, 3-19=-577/1138, 4-18=-917/555, 5-18=-42/367, 5-17=-770/494,
 7-17=-418/812, 14-16=-627/518, 8-16=-279/700, 8-14=-1141/551, 9-14=-791/531,
 9-12=0/326

- NOTES-**
- Unbalanced roof live loads have been considered for this design.
 - Wind: ASCE 7-10; Vult=130mph (3-second gust) Vasd=101mph; TCDL=4.2psf; BCDL=3.0psf; h=18ft; Cat. II; Exp C; Encl., GCpi=0.18; MWFRS (envelope) gable end zone and C-C Exterior(2) zone; C-C for members and forces & MWFRS for reactions shown; Lumber DOL=1.60 plate grip DOL=1.60
 - Provide adequate drainage to prevent water ponding.
 - This truss has been designed for a 10.0 psf bottom chord live load nonconcurrent with any other live loads.
 - * This truss has been designed for a live load of 20.0psf on the bottom chord in all areas where a rectangle 3-6-0 tall by 2-0-0 wide will fit between the bottom chord and any other members.
 - Provide mechanical connection (by others) of truss to bearing plate capable of withstanding 100 lb uplift at joint(s) except (jt=lb) 2=307, 14=614, 10=265.



Philip J. O'Regan PE No.58126
 MiTek USA, Inc. FL Cert 6634
 6904 Parke East Blvd. Tampa FL 33610
 Date:

August 4, 2020

WARNING - Verify design parameters and READ NOTES ON THIS AND INCLUDED MITEK REFERENCE PAGE MII-7473 rev. 5/19/2020 BEFORE USE.
 Design valid for use only with MiTek® connectors. This design is based only upon parameters shown, and is for an individual building component, not a truss system. Before use, the building designer must verify the applicability of design parameters and properly incorporate this design into the overall building design. Bracing indicated is to prevent buckling of individual truss web and/or chord members only. Additional temporary and permanent bracing is always required for stability and to prevent collapse with possible personal injury and property damage. For general guidance regarding the fabrication, storage, delivery, erection and bracing of trusses and truss systems, see **ANSI/TPI Quality Criteria, DSB-89 and BCSI Building Component Safety Information** available from Truss Plate Institute, 2670 Crain Highway, Suite 203 Waldorf, MD 20601



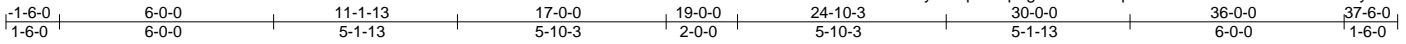
Job 2380539	Truss T11	Truss Type Hip	Qty 1	Ply 1	AMIRA BLDRS. - NICEWONGER RES. T20922662
----------------	--------------	-------------------	----------	----------	---

Builders FirstSource, Jacksonville, FL - 32244,

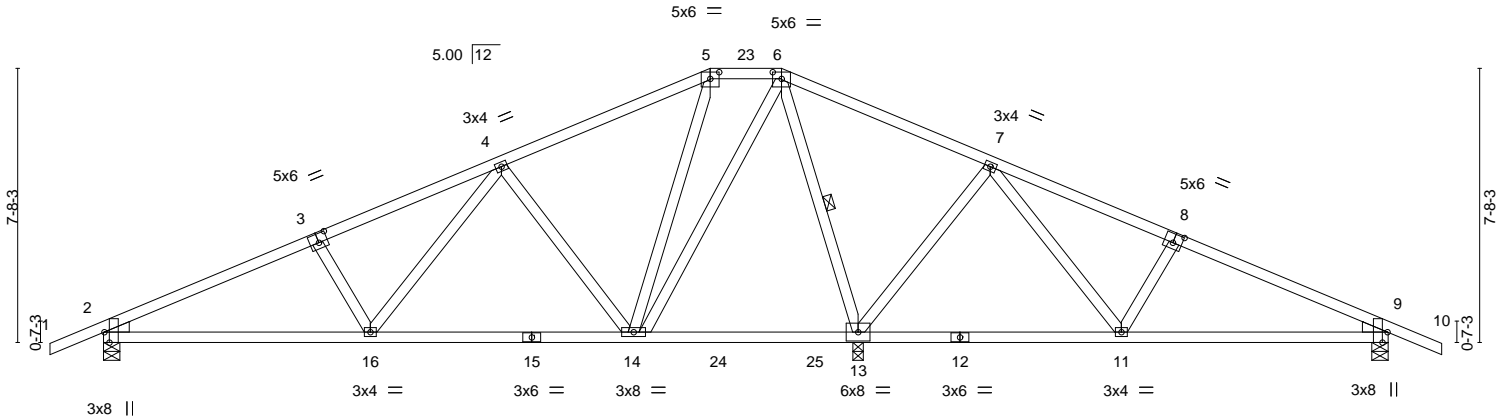
8.240 s Mar 9 2020 MiTek Industries, Inc. Tue Aug 4 13:01:48 2020 Page 1

ID:aWWYZLKSHCOWoxc8ctIvEVyrGuq-SC8phg?1wawaJIYpMV0ES4RWVnmM92n9I?MYIyrdVn

Job Reference (optional)



Scale: 3/16"=1'

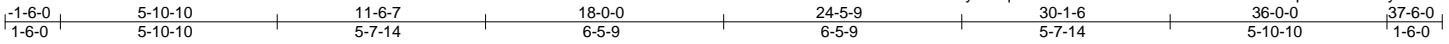


Job 2380539	Truss T12	Truss Type Common	Qty 3	Ply 1	AMIRA BLDRS. - NICEWONGER RES. T20922663
----------------	--------------	----------------------	----------	----------	---

Builders FirstSource, Jacksonville, FL - 32244,

8.240 s Mar 9 2020 MiTek Industries, Inc. Tue Aug 4 13:01:50 2020 Page 1

ID:aWWYZLKSHCwoxc8cTivEVyrGuq-PbGZ6L1SBAHYciBUV2iXVWrLbR3q4F4dbUTdeyrDVI



Scale = 1:62.5

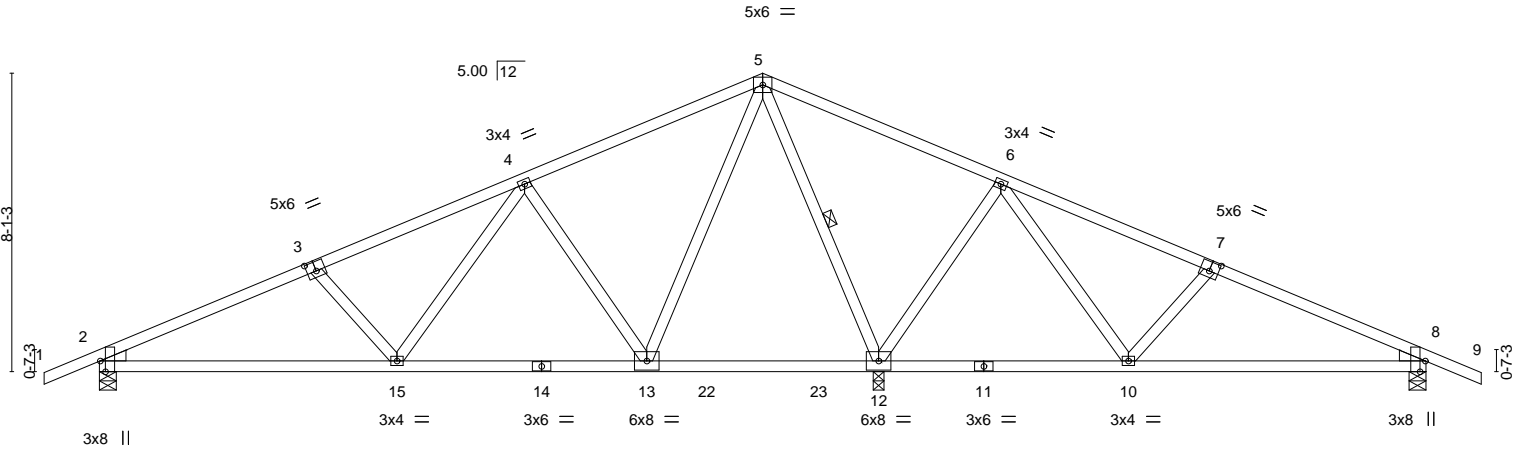


Plate Offsets (X,Y)--	[2:0-0-1,0-0-2], [2:0-0-2,0-5-14], [2:0-3-8,Edge], [3:0-3-0,0-3-0], [7:0-3-0,0-3-0], [8:0-0-1,0-0-2], [8:0-0-2,0-5-14], [8:0-3-8,Edge]
-----------------------	--

LOADING (psf)	SPACING-	2-0-0	CSI.	DEFL.	in (loc)	l/defl	L/d	PLATES	GRIP
TCLL 20.0	Plate Grip DOL	1.25	TC 0.47	Vert(LL)	-0.07 10-21	>999	240	MT20	244/190
TCDL 7.0	Lumber DOL	1.25	BC 0.51	Vert(CT)	-0.15 10-21	>999	180		
BCLL 0.0 *	Rep Stress Incr	YES	WB 0.50	Horz(CT)	0.02 12	n/a	n/a		
BCDL 10.0	Code FBC2017/TPI2014		Matrix-MS					Weight: 188 lb	FT = 20%

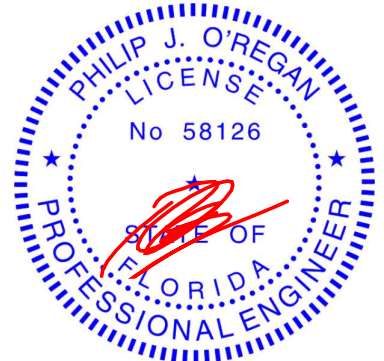
LUMBER-
TOP CHORD 2x4 SP No.2
BOT CHORD 2x4 SP No.2
WEBS 2x4 SP No.3
WEDGE
Left: 2x4 SP No.3, Right: 2x4 SP No.3

BRACING-
TOP CHORD Structural wood sheathing directly applied or 5-4-14 oc purlins.
BOT CHORD Rigid ceiling directly applied or 6-0-0 oc bracing.
WEBS 1 Row at midpt 5-12

REACTIONS. (size) 2=0-5-8, 12=0-3-8, 8=0-5-8
Max Horz 2=-171(LC 13)
Max Uplift 2=-326(LC 12), 12=-554(LC 12), 8=-238(LC 13)
Max Grav 2=749(LC 23), 12=1672(LC 1), 8=503(LC 24)

FORCES. (lb) - Max. Comp./Max. Ten. - All forces 250 (lb) or less except when shown.
TOP CHORD 2-3=-1108/566, 3-4=-924/505, 4-5=-346/275, 5-6=-143/578, 6-7=-349/203, 7-8=-530/258
BOT CHORD 2-15=-496/974, 13-15=-242/566, 12-13=-91/282, 10-12=-217/256, 8-10=-141/458
WEBS 5-12=-1130/601, 6-12=-596/462, 6-10=-228/476, 7-10=-304/290, 5-13=-366/662, 4-13=-580/451, 4-15=-203/442, 3-15=-273/273

- NOTES-**
- Unbalanced roof live loads have been considered for this design.
 - Wind: ASCE 7-10; Vult=130mph (3-second gust) Vasd=101mph; TC DL=4.2psf; BCDL=3.0psf; h=18ft; Cat. II; Exp C; Encl., GCp=0.18; MWFRS (envelope) gable end zone and C-C Exterior(2) zone; C-C for members and forces & MWFRS for reactions shown; Lumber DOL=1.60 plate grip DOL=1.60
 - This truss has been designed for a 10.0 psf bottom chord live load nonconcurrent with any other live loads.
 - * This truss has been designed for a live load of 20.0psf on the bottom chord in all areas where a rectangle 3-6-0 tall by 2-0-0 wide will fit between the bottom chord and any other members, with BCDL = 10.0psf.
 - Provide mechanical connection (by others) of truss to bearing plate capable of withstanding 100 lb uplift at joint(s) except (jt=lb) 2=326, 12=554, 8=238.



Philip J. O'Regan PE No.58126
MiTek USA, Inc. FL Cert 6634
6904 Parke East Blvd. Tampa FL 33610
Date:

August 4, 2020

Job 2380539	Truss T14	Truss Type Roof Special	Qty 4	Ply 1	AMIRA BLDRS. - NICEWONGER RES. T20922665
----------------	--------------	----------------------------	----------	----------	---

Builders FirstSource, Jacksonville, FL - 32244,

8.240 s Mar 9 2020 MiTek Industries, Inc. Tue Aug 4 13:01:56 2020 Page 1

ID:aWWYZLKSHCowoxc8cTlvEVyrGuq-DldrMP5311wRGXALqA96nmmsf0OUEifz?XxnqlyrDVf

Job Reference (optional)



5x8 =

Scale = 1:57.6

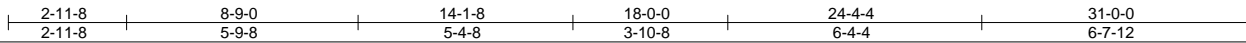
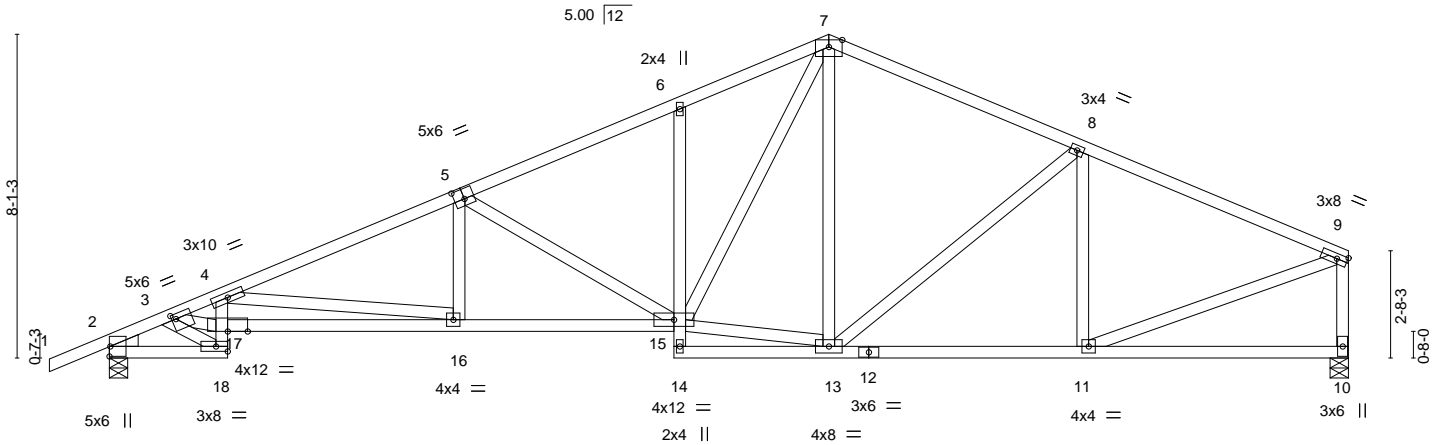


Plate Offsets (X,Y)-- [2:0-0-1,0-0-2], [2:0-0-2,0-5-14], [3:0-1-4,0-1-8], [5:0-3-0,0-3-0]

LOADING (psf)	SPACING-	2-0-0	CSI.	DEFL.	in (loc)	l/defl	L/d	PLATES	GRIP
TCLL 20.0	Plate Grip DOL	1.25	TC 0.48	Vert(LL)	0.22 16-17	>999	240	MT20	244/190
TCDL 7.0	Lumber DOL	1.25	BC 0.96	Vert(CT)	-0.35 16-17	>999	180		
BCLL 0.0 *	Rep Stress Incr	YES	WB 0.89	Horz(CT)	0.15 10	n/a	n/a		
BCDL 10.0	Code FBC2017/TPI2014		Matrix-MS						
								Weight: 196 lb	FT = 20%

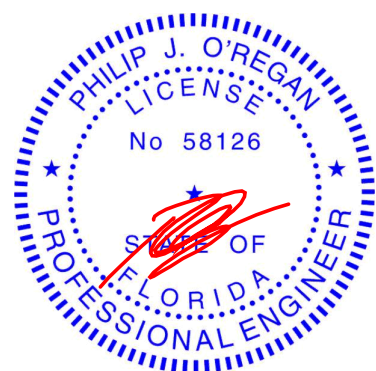
LUMBER-
TOP CHORD 2x4 SP No.2
BOT CHORD 2x4 SP No.2 *Except*
6-14: 2x4 SP No.3
WEBS 2x4 SP No.3
WEDGE
Left: 2x4 SP No.3

BRACING-
TOP CHORD Structural wood sheathing directly applied or 2-11-11 oc purlins, except end verticals.
BOT CHORD Rigid ceiling directly applied or 2-2-0 oc bracing.

REACTIONS. (size) 2=0-5-8, 10=0-5-8
Max Horz 2=243(LC 12)
Max Uplift 2=-500(LC 12), 10=-402(LC 13)
Max Grav 2=1225(LC 1), 10=1140(LC 1)

FORCES. (lb) - Max. Comp./Max. Ten. - All forces 250 (lb) or less except when shown.
TOP CHORD 2-3=-1793/939, 3-4=-3232/1769, 4-5=-2476/1335, 5-6=-1775/1025, 6-7=-1735/1117,
7-8=-1281/796, 8-9=-1352/742, 9-10=-1079/624
BOT CHORD 2-18=-859/1477, 17-18=-279/525, 4-17=-80/309, 16-17=-2022/3480, 15-16=-1211/2241,
11-13=-611/1194
WEBS 3-18=-924/516, 3-17=-1318/2329, 4-16=-1242/816, 5-16=-90/403, 5-15=-772/493,
13-15=-433/1020, 7-15=-605/978, 8-11=-295/265, 9-11=-620/1223

- NOTES-**
- Unbalanced roof live loads have been considered for this design.
 - Wind: ASCE 7-10; Vult=130mph (3-second gust) Vasd=101mph; TCCL=4.2psf; BCDL=3.0psf; h=18ft; Cat. II; Exp C; Encl., GCpi=0.18; MWFRS (envelope) gable end zone and C-C Exterior(2) zone; C-C for members and forces & MWFRS for reactions shown; Lumber DOL=1.60 plate grip DOL=1.60
 - This truss has been designed for a 10.0 psf bottom chord live load nonconcurrent with any other live loads.
 - * This truss has been designed for a live load of 20.0psf on the bottom chord in all areas where a rectangle 3-6-0 tall by 2-0-0 wide will fit between the bottom chord and any other members.
 - Provide mechanical connection (by others) of truss to bearing plate capable of withstanding 100 lb uplift at joint(s) except (jt=lb) 2=500, 10=402.



Philip J. O'Regan PE No.58126
MiTek USA, Inc. FL Cert 6634
6904 Parke East Blvd. Tampa FL 33610
Date:

August 4, 2020

WARNING - Verify design parameters and READ NOTES ON THIS AND INCLUDED MITEK REFERENCE PAGE MII-7473 rev. 5/19/2020 BEFORE USE.
Design valid for use only with MiTek® connectors. This design is based only upon parameters shown, and is for an individual building component, not a truss system. Before use, the building designer must verify the applicability of design parameters and properly incorporate this design into the overall building design. Bracing indicated is to prevent buckling of individual truss web and/or chord members only. Additional temporary and permanent bracing is always required for stability and to prevent collapse with possible personal injury and property damage. For general guidance regarding the fabrication, storage, delivery, erection and bracing of trusses and truss systems, see **ANSI/TPI1 Quality Criteria, DSB-89 and BCSI Building Component Safety Information** available from Truss Plate Institute, 2670 Crain Highway, Suite 203 Waldorf, MD 20601

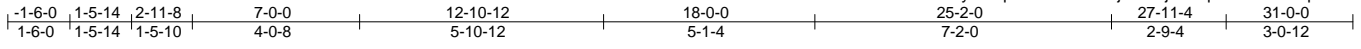


Job 2380539	Truss T15	Truss Type Roof Special	Qty 1	Ply 1	AMIRA BLDRS. - NICEWONGER RES. Job Reference (optional)	T20922666
----------------	--------------	----------------------------	----------	----------	--	-----------

Builders FirstSource, Jacksonville, FL - 32244,

8.240 s Mar 9 2020 MiTek Industries, Inc. Tue Aug 4 13:02:01 2020 Page 1

ID:aWWYZLKSHCowoxc8cTlvEVyrGuq-aiQkP69BsZYjNI2JdjkHUqThv17vwxci8peYVWYrDVa



Scale = 1:55.7

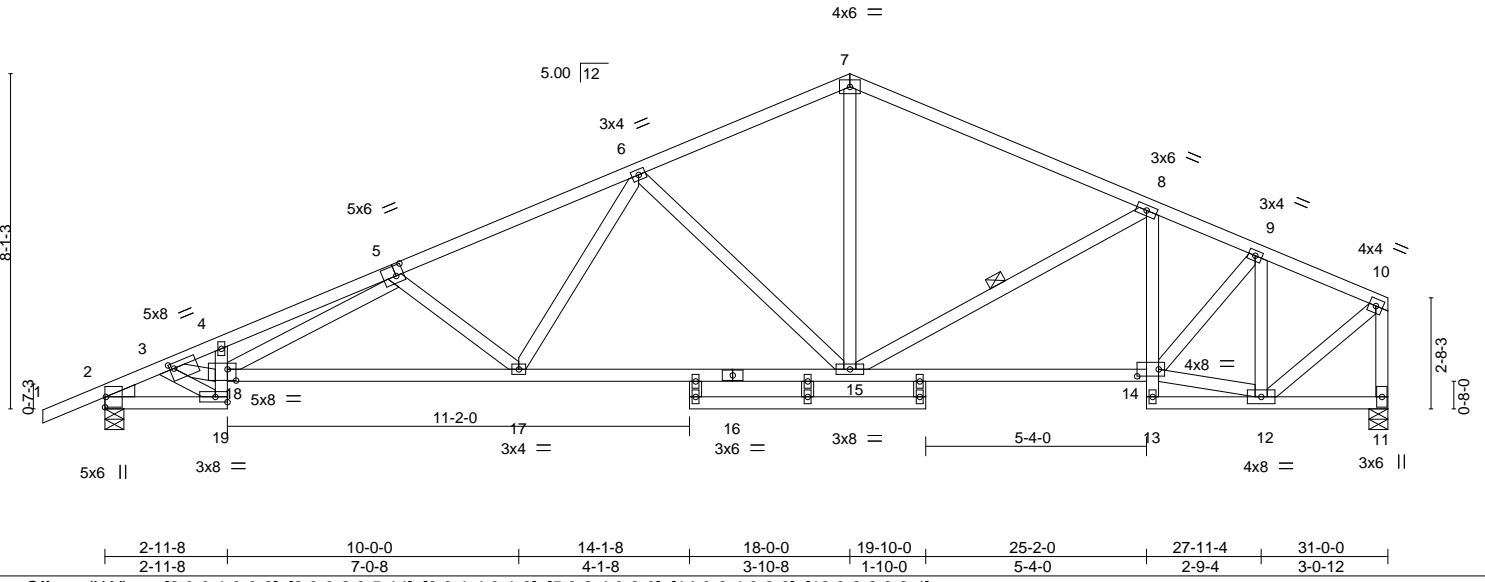


Plate Offsets (X,Y)--	[2:0-0-1,0-0-2], [2:0-0-2,0-5-14], [3:0-1-4,0-1-8], [5:0-2-4,0-3-0], [14:0-6-4,0-2-0], [18:0-2-8,0-3-4]
-----------------------	---

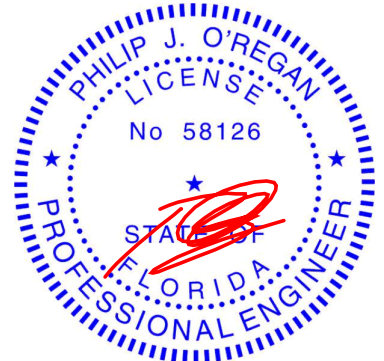
LOADING (psf)	SPACING-	2-0-0	CSI.	DEFL.	in (loc)	l/defl	L/d	PLATES	GRIP
TCLL 20.0	Plate Grip DOL	1.25	TC 0.58	Vert(LL)	0.21 17-18	>999	240	MT20	244/190
TCDL 7.0	Lumber DOL	1.25	BC 0.81	Vert(CT)	-0.38 17-18	>966	180		
BCLL 0.0 *	Rep Stress Incr	YES	WB 0.91	Horz(CT)	0.16 11	n/a	n/a		
BCDL 10.0	Code FBC2017/TPI2014		Matrix-MS						
								Weight: 198 lb	FT = 20%

LUMBER-	BRACING-
TOP CHORD 2x4 SP No.2	TOP CHORD Structural wood sheathing directly applied or 2-8-7 oc purlins, except end verticals.
BOT CHORD 2x4 SP No.2 *Except* 8-13,20-21: 2x4 SP No.3	BOT CHORD Rigid ceiling directly applied or 4-11-13 oc bracing.
WEBS 2x4 SP No.3	WEBS 1 Row at midpt 8-15
WEDGE Left: 2x4 SP No.3	

REACTIONS. (size) 2=0-5-8, 11=0-5-8
 Max Horz 2=243(LC 12)
 Max Uplift 2=-500(LC 12), 11=-402(LC 13)
 Max Grav 2=1225(LC 1), 11=1140(LC 1)

FORCES. (lb) - Max. Comp./Max. Ten. - All forces 250 (lb) or less except when shown.
 TOP CHORD 2-3=-1813/955, 3-4=-3246/1765, 4-5=-3712/2066, 5-6=-2259/1252, 6-7=-1384/853,
 7-8=-1413/835, 8-9=-1420/817, 9-10=-904/492, 10-11=-1107/612
 BOT CHORD 2-19=-877/1499, 18-19=-309/568, 17-18=-1377/2443, 15-17=-898/1725, 14-15=-707/1344,
 8-14=-256/218
 WEBS 3-19=-1017/581, 3-18=-1334/2380, 5-18=-638/1138, 5-17=-543/442, 6-17=-281/603,
 6-15=-705/492, 7-15=-383/711, 12-14=-347/777, 9-14=-379/728, 9-12=-828/467,
 10-12=-535/1041

- NOTES-**
- 1) Unbalanced roof live loads have been considered for this design.
 - 2) Wind: ASCE 7-10; Vult=130mph (3-second gust) Vasd=101mph; TCDL=4.2psf; BCDL=3.0psf; h=18ft; Cat. II; Exp C; Encl., GCpi=0.18; MWFRS (envelope) gable end zone and C-C Exterior(2) zone;C-C for members and forces & MWFRS for reactions shown; Lumber DOL=1.60 plate grip DOL=1.60
 - 3) All plates are 2x4 MT20 unless otherwise indicated.
 - 4) This truss has been designed for a 10.0 psf bottom chord live load nonconcurrent with any other live loads.
 - 5) * This truss has been designed for a live load of 20.0psf on the bottom chord in all areas where a rectangle 3-6-0 tall by 2-0-0 wide will fit between the bottom chord and any other members.
 - 6) Provide mechanical connection (by others) of truss to bearing plate capable of withstanding 100 lb uplift at joint(s) except (jt=lb) 2=500, 11=402.



Philip J. O'Regan PE No.58126
 MiTek USA, Inc. FL Cert 6634
 6904 Parke East Blvd. Tampa FL 33610
 Date:

August 4,2020

WARNING - Verify design parameters and READ NOTES ON THIS AND INCLUDED MITEK REFERENCE PAGE MII-7473 rev. 5/19/2020 BEFORE USE.

Design valid for use only with MiTek® connectors. This design is based only upon parameters shown, and is for an individual building component, not a truss system. Before use, the building designer must verify the applicability of design parameters and properly incorporate this design into the overall building design. Bracing indicated is to prevent buckling of individual truss web and/or chord members only. Additional temporary and permanent bracing is always required for stability and to prevent collapse with possible personal injury and property damage. For general guidance regarding the fabrication, storage, delivery, erection and bracing of trusses and truss systems, see **ANSI/TPI1 Quality Criteria, DSB-89 and BCSI Building Component Safety Information** available from Truss Plate Institute, 2670 Crain Highway, Suite 203 Waldorf, MD 20601

6904 Parke East Blvd.
 Tampa, FL 36610

Job 2380539	Truss T17	Truss Type Roof Special	Qty 2	Ply 1	AMIRA BLDRS. - NICEWONGER RES. Job Reference (optional)	T20922668
----------------	--------------	----------------------------	----------	----------	--	-----------

Builders FirstSource, Jacksonville, FL - 32244,

8.240 s Mar 9 2020 MiTek Industries, Inc. Tue Aug 4 13:02:08 2020 Page 1

ID:aWWYZLKSHCowoxc8cTlvEVyrGuq-t2LNvFaCjRkiN4fXhMwGIGvrrX729RkIPrQGbyrDVT



Scale = 1:61.8

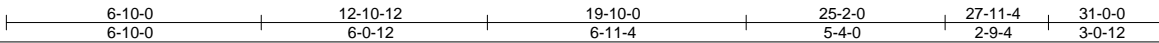
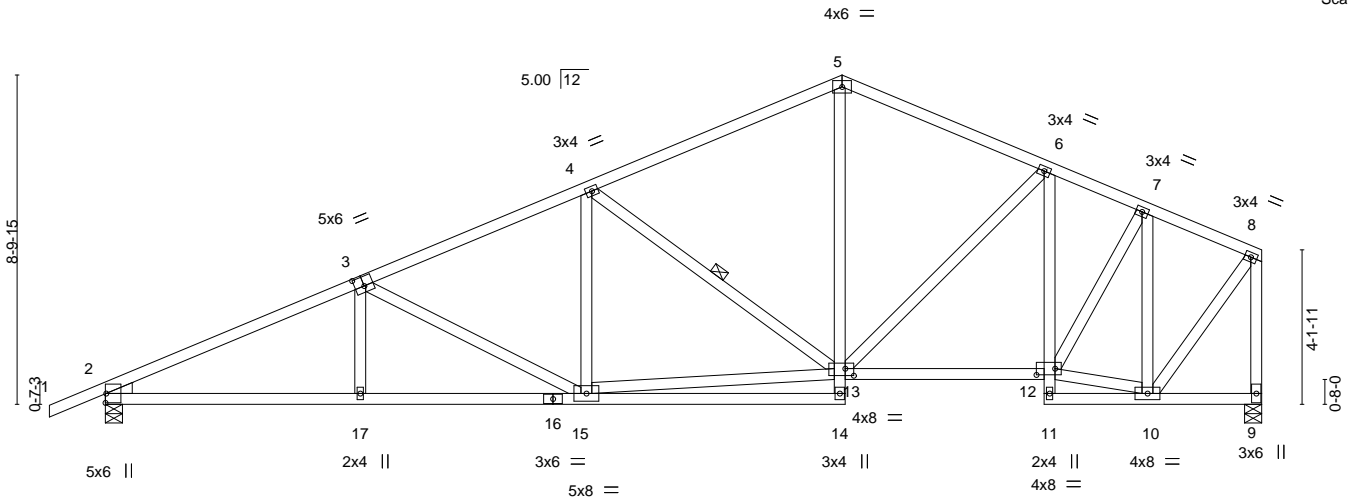


Plate Offsets (X,Y)--	[2:0-0-1,0-0-2], [2:0-0-2,0-5-14], [3:0-3-0,0-3-0], [12:0-6-0,0-2-0], [13:0-2-12,0-2-4]
-----------------------	---

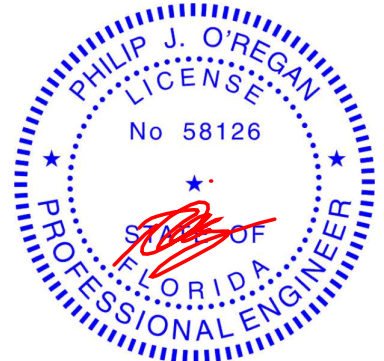
LOADING (psf)	SPACING-	2-0-0	CSI.	DEFL.	in (loc)	l/defl	L/d	PLATES	GRIP
TCLL 20.0	Plate Grip DOL	1.25	TC 0.53	Vert(LL)	0.13 15-17	>999	240	MT20	244/190
TCDL 7.0	Lumber DOL	1.25	BC 0.71	Vert(CT)	-0.22 14-15	>999	180		
BCLL 0.0 *	Rep Stress Incr	YES	WB 0.71	Horz(CT)	0.07 9	n/a	n/a		
BCDL 10.0	Code FBC2017/TPI2014		Matrix-MS					Weight: 206 lb	FT = 20%

LUMBER-	BRACING-
TOP CHORD 2x4 SP No.2	TOP CHORD Structural wood sheathing directly applied or 3-5-13 oc purlins, except end verticals.
BOT CHORD 2x4 SP No.2 *Except* 5-14,6-11: 2x4 SP No.3	BOT CHORD Rigid ceiling directly applied or 5-6-6 oc bracing.
WEBS 2x4 SP No.3	WEBS 1 Row at midpt 4-13
WEDGE	
Left: 2x4 SP No.3	

REACTIONS.	(size)
2=0-5-8, 9=0-5-8	
Max Horz 2=299(LC 12)	
Max Uplift 2=-506(LC 12), 9=-382(LC 13)	
Max Grav 2=1225(LC 1), 9=1140(LC 1)	

FORCES.	(lb) - Max. Comp./Max. Ten. - All forces 250 (lb) or less except when shown.
TOP CHORD	2-3=-2184/1133, 3-4=-1752/970, 4-5=-1208/748, 5-6=-1189/756, 6-7=-1050/635, 7-8=-659/372, 8-9=-1110/621
BOT CHORD	2-17=-1142/1948, 15-17=-1142/1947, 5-13=-307/554, 12-13=-506/966, 6-12=-364/254
WEBS	3-15=-446/317, 4-15=-33/336, 13-15=-797/1415, 4-13=-667/446, 10-12=-273/584, 7-12=-356/700, 7-10=-881/511, 8-10=-514/975

- NOTES-**
- Unbalanced roof live loads have been considered for this design.
 - Wind: ASCE 7-10; Vult=130mph (3-second gust) Vasd=101mph; TCCL=4.2psf; BCDL=3.0psf; h=18ft; Cat. II; Exp C; Encl., GCpi=0.18; MWFRS (envelope) gable end zone and C-C Exterior(2) zone; C-C for members and forces & MWFRS for reactions shown; Lumber DOL=1.60 plate grip DOL=1.60
 - This truss has been designed for a 10.0 psf bottom chord live load nonconcurrent with any other live loads.
 - * This truss has been designed for a live load of 20.0psf on the bottom chord in all areas where a rectangle 3-6-0 tall by 2-0-0 wide will fit between the bottom chord and any other members.
 - Provide mechanical connection (by others) of truss to bearing plate capable of withstanding 100 lb uplift at joint(s) except (jt=lb) 2=506, 9=382.



Philip J. O'Regan PE No.58126
MiTek USA, Inc. FL Cert 6634
6904 Parke East Blvd. Tampa FL 33610
Date:

August 4, 2020

WARNING - Verify design parameters and READ NOTES ON THIS AND INCLUDED MITEK REFERENCE PAGE MII-7473 rev. 5/19/2020 BEFORE USE.

Design valid for use only with MiTek® connectors. This design is based only upon parameters shown, and is for an individual building component, not a truss system. Before use, the building designer must verify the applicability of design parameters and properly incorporate this design into the overall building design. Bracing indicated is to prevent buckling of individual truss web and/or chord members only. Additional temporary and permanent bracing is always required for stability and to prevent collapse with possible personal injury and property damage. For general guidance regarding the fabrication, storage, delivery, erection and bracing of trusses and truss systems, see **ANSI/TPI1 Quality Criteria, DSB-89 and BCSI Building Component Safety Information** available from Truss Plate Institute, 2670 Crain Highway, Suite 203 Waldorf, MD 20601

6904 Parke East Blvd.
Tampa, FL 36610

Job 2380539	Truss T19	Truss Type Roof Special	Qty 2	Ply 1	AMIRA BLDRS. - NICEWONGER RES. Job Reference (optional)	T20922670
----------------	--------------	----------------------------	----------	----------	--	-----------

Builders FirstSource, Jacksonville, FL - 32244,

8.240 s Mar 9 2020 MiTek Industries, Inc. Tue Aug 4 13:02:14 2020 Page 1

ID:aWWYZLKSHCowoxc8cTlvEVyrGuq-iCje8ZJLoZBtQIYpuyTKWZWoGY8Sqoc8KikTFYrDVN



5x8 =

Scale = 1:60.7

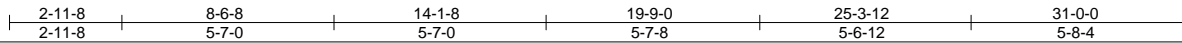
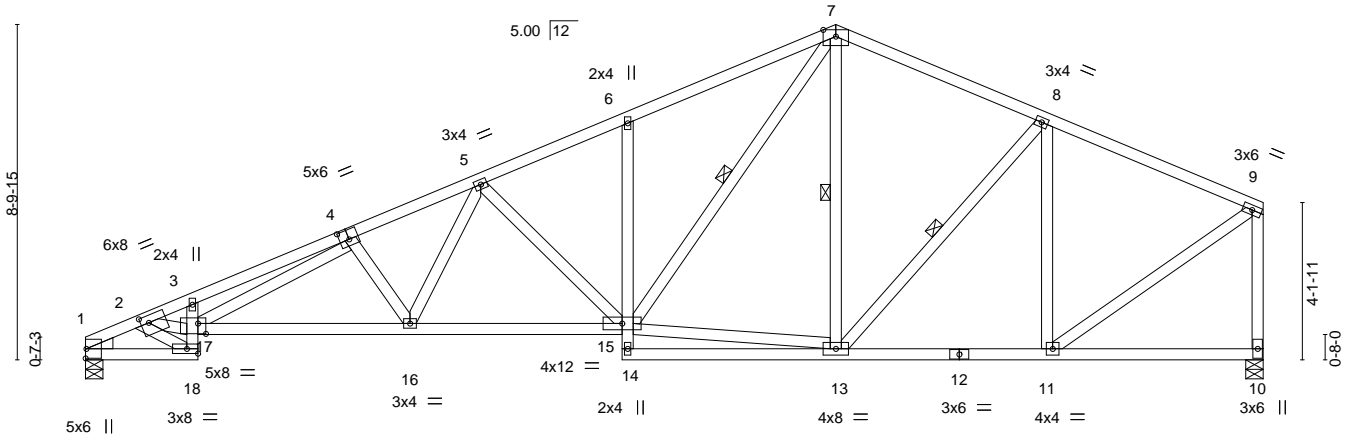


Plate Offsets (X,Y)--	[1:0-0-1,0-0-2], [1:0-0-2,0-5-14], [2:0-2-8,0-2-4], [4:0-3-0,0-3-0], [17:0-2-8,0-3-4]
-----------------------	---

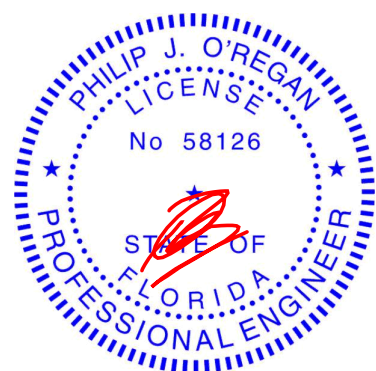
LOADING (psf)	SPACING-	2-0-0	CSI.	DEFL.	in (loc)	l/defl	L/d	PLATES	GRIP
TCLL 20.0	Plate Grip DOL	1.25	TC 0.50	Vert(LL)	0.22 16-17	>999	240	MT20	244/190
TCDL 7.0	Lumber DOL	1.25	BC 0.87	Vert(CT)	-0.34 16-17	>999	180		
BCLL 0.0 *	Rep Stress Incr	YES	WB 0.91	Horz(CT)	0.14 10	n/a	n/a		
BCDL 10.0	Code FBC2017/TPI2014		Matrix-MS						
								Weight: 206 lb	FT = 20%

LUMBER-	BRACING-
TOP CHORD 2x4 SP No.2	TOP CHORD Structural wood sheathing directly applied or 2-7-5 oc purlins, except end verticals.
BOT CHORD 2x4 SP No.2 *Except* 6-14: 2x4 SP No.3	BOT CHORD Rigid ceiling directly applied or 4-10-0 oc bracing.
WEBS 2x4 SP No.3	WEBS 1 Row at midpt 7-15, 7-13, 8-13
WEDGE Left: 2x4 SP No.3	

REACTIONS.
(size) 1=0-5-8, 10=0-5-8
Max Horz 1=273(LC 12)
Max Uplift 1=455(LC 12), 10=383(LC 13)
Max Grav 1=1142(LC 1), 10=1142(LC 1)


FORCES.	(lb) - Max. Comp./Max. Ten. - All forces 250 (lb) or less except when shown.
TOP CHORD	1-2=-1874/982, 2-3=-3296/1832, 3-4=-3766/2170, 4-5=-2464/1374, 5-6=-1756/1024, 6-7=-1775/1148, 7-8=-1112/719, 8-9=-993/563, 9-10=-1090/632
BOT CHORD	1-18=-987/1565, 17-18=-355/586, 16-17=-1453/2474, 15-16=-1130/1989, 6-15=-289/285, 11-13=-458/872
WEBS	2-18=-1043/660, 2-17=-1436/2385, 4-17=-749/1156, 4-16=-436/354, 5-16=-300/574, 5-15=-567/378, 13-15=-407/847, 7-15=-696/1075, 8-11=-486/352, 9-11=-545/1043

- NOTES-**
- Unbalanced roof live loads have been considered for this design.
 - Wind: ASCE 7-10; Vult=130mph (3-second gust) Vasd=101mph; TCCL=4.2psf; BCDL=3.0psf; h=18ft; Cat. II; Exp C; Encl., GCpi=0.18; MWFRS (envelope) gable end zone and C-C Exterior(2) zone; C-C for members and forces & MWFRS for reactions shown; Lumber DOL=1.60 plate grip DOL=1.60
 - This truss has been designed for a 10.0 psf bottom chord live load nonconcurrent with any other live loads.
 - * This truss has been designed for a live load of 20.0psf on the bottom chord in all areas where a rectangle 3-6-0 tall by 2-0-0 wide will fit between the bottom chord and any other members.
 - Provide mechanical connection (by others) of truss to bearing plate capable of withstanding 100 lb uplift at joint(s) except (jt=lb) 1=455, 10=383.



Philip J. O'Regan PE No.58126
MiTek USA, Inc. FL Cert 6634
6904 Parke East Blvd. Tampa FL 33610
Date:

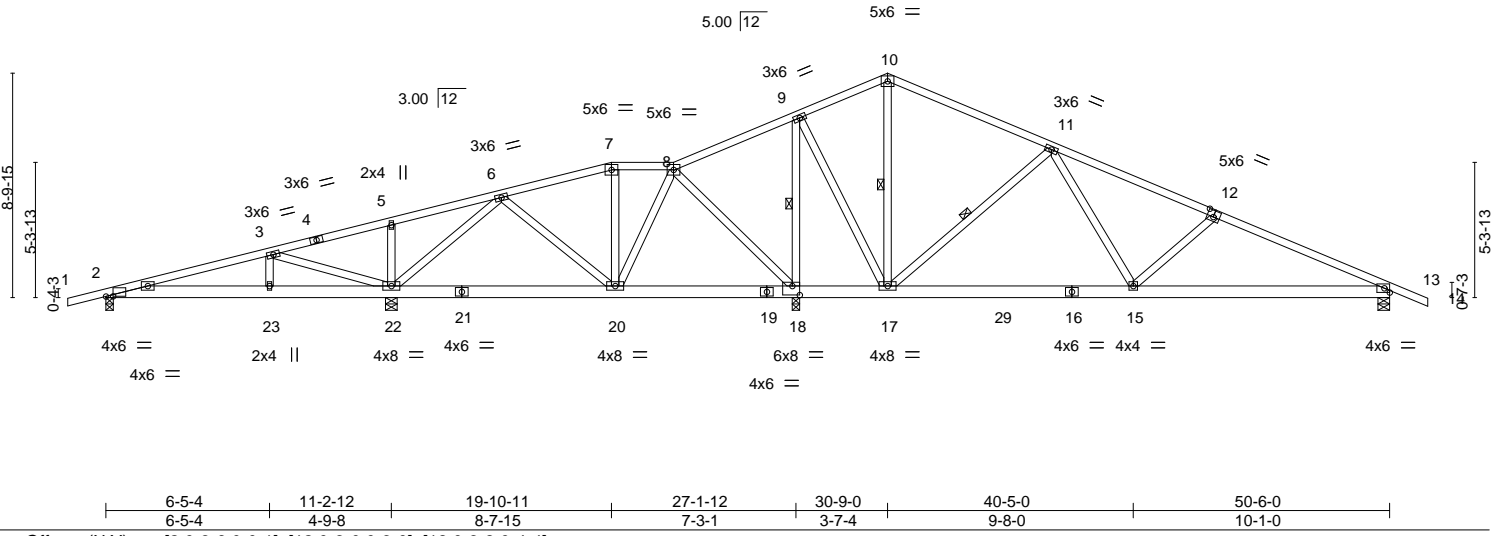
August 4, 2020

<p>WARNING - Verify design parameters and READ NOTES ON THIS AND INCLUDED MITEK REFERENCE PAGE MII-7473 rev. 5/19/2020 BEFORE USE.</p> <p>Design valid for use only with MiTek® connectors. This design is based only upon parameters shown, and is for an individual building component, not a truss system. Before use, the building designer must verify the applicability of design parameters and properly incorporate this design into the overall building design. Bracing indicated is to prevent buckling of individual truss web and/or chord members only. Additional temporary and permanent bracing is always required for stability and to prevent collapse with possible personal injury and property damage. For general guidance regarding the fabrication, storage, delivery, erection and bracing of trusses and truss systems, see ANSI/TPI1 Quality Criteria, DSB-89 and BCSI Building Component Safety Information available from Truss Plate Institute, 2670 Crain Highway, Suite 203 Waldorf, MD 20601</p>	 <p>6904 Parke East Blvd. Tampa, FL 36610</p>
--	--

Job 2380539	Truss T21	Truss Type Roof Special	Qty 1	Ply 1	AMIRA BLDRS. - NICEWONGER RES. T20922672
Builders FirstSource, Jacksonville, FL - 32244,					8.240 s Mar 9 2020 MiTek Industries, Inc. Tue Aug 4 13:02:17 2020 Page 1
ID:aWWYZLKSHCwoxoc8cTivEVyrGuq-6nOnmaME5UZHIGOZ4117C8TJUHQfHF2qIWO4ayrDVK					Job Reference (optional)

1-6-0	6-5-4	11-2-12	15-6-11	19-10-11	22-3-15	27-1-12	30-9-0	37-2-5	43-7-0	50-6-0	52-0-0
1-6-0	6-5-4	4-9-8	4-3-15	4-3-15	2-5-5	4-9-13	3-7-4	6-5-5	6-4-11	6-11-0	1-6-0

Scale = 1:90.6



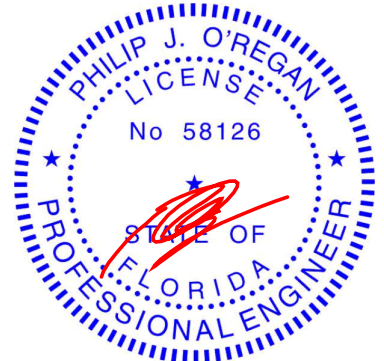
LOADING (psf)	SPACING-	2-0-0	CSI.	DEFL.	in (loc)	l/defl	L/d	PLATES	GRIP
TCLL 20.0	Plate Grip DOL	1.25	TC 0.42	Vert(LL)	-0.08 15-17	>999	240	MT20	244/190
TCDL 7.0	Lumber DOL	1.25	BC 0.45	Vert(CT)	-0.14 15-28	>999	180		
BCLL 0.0 *	Rep Stress Incr	YES	WB 0.48	Horz(CT)	0.01 13	n/a	n/a		
BCDL 10.0	Code FBC2017/TPI2014		Matrix-MS					Weight: 316 lb	FT = 20%

LUMBER-	BRACING-
TOP CHORD 2x4 SP No.2	TOP CHORD Structural wood sheathing directly applied or 4-10-3 oc purlins.
BOT CHORD 2x6 SP No.2	BOT CHORD Rigid ceiling directly applied or 6-0-0 oc bracing.
WEBS 2x4 SP No.3	WEBS 1 Row at midpt 9-18, 10-17, 11-17

REACTIONS. All bearings 0-3-8 except (jt=length) 22=0-5-8, 13=0-5-8.
 (lb) - Max Horz 2=-188(LC 17)
 Max Uplift All uplift 100 lb or less at joint(s) except 2=-315(LC 8), 22=-661(LC 8), 18=-579(LC 12), 13=-376(LC 13)
 Max Grav All reactions 250 lb or less at joint(s) except 2=382(LC 23), 22=1088(LC 23), 18=1696(LC 1), 13=822(LC 24)

FORCES. (lb) - Max. Comp./Max. Ten. - All forces 250 (lb) or less except when shown.
 TOP CHORD 2-3=-368/461, 3-5=-445/450, 5-6=-383/448, 8-9=-154/510, 11-12=-985/536, 12-13=-1258/654
 BOT CHORD 2-23=-360/347, 22-23=-360/347, 20-22=-105/266, 18-20=-230/319, 17-18=-421/489, 15-17=-127/592, 13-15=-483/1101
 WEBS 3-23=-282/213, 3-22=-783/990, 6-22=-675/430, 8-20=-91/325, 8-18=-436/259, 9-18=-1268/704, 9-17=-421/945, 11-17=-747/537, 11-15=-215/580, 12-15=-349/349

- NOTES-**
- 1) Unbalanced roof live loads have been considered for this design.
 - 2) Wind: ASCE 7-10; Vult=130mph (3-second gust) Vasd=101mph; TCdL=4.2psf; BCdL=3.0psf; h=18ft; Cat. II; Exp C; Encl., GCpi=0.18; MWFRS (envelope) gable end zone and C-C Exterior(2) zone; porch left exposed; C-C for members and forces & MWFRS for reactions shown; Lumber DOL=1.60 plate grip DOL=1.60
 - 3) Provide adequate drainage to prevent water ponding.
 - 4) This truss has been designed for a 10.0 psf bottom chord live load nonconcurrent with any other live loads.
 - 5) * This truss has been designed for a live load of 20.0psf on the bottom chord in all areas where a rectangle 3-6-0 tall by 2-0-0 wide will fit between the bottom chord and any other members, with BCdL = 10.0psf.
 - 6) Provide mechanical connection (by others) of truss to bearing plate capable of withstanding 315 lb uplift at joint 2, 661 lb uplift at joint 22, 579 lb uplift at joint 18 and 376 lb uplift at joint 13.



Philip J. O'Regan PE No.58126
 MiTek USA, Inc. FL Cert 6634
 6904 Parke East Blvd. Tampa FL 33610
 Date:

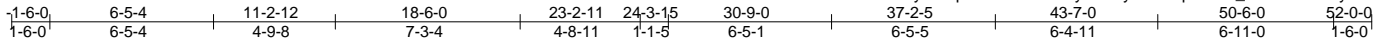
August 4, 2020

Job 2380539	Truss T22	Truss Type Roof Special	Qty 1	Ply 1	AMIRA BLDRS. - NICEWONGER RES. T20922673
----------------	--------------	----------------------------	----------	----------	---

Builders FirstSource, Jacksonville, FL - 32244,

8.240 s Mar 9 2020 MiTek Industries, Inc. Tue Aug 4 13:02:20 2020 Page 1

ID:aWWYZLKSHCowoxc8cTlvEVyrGuq-XM4vOcO6NPy18D?yEDaklqzmbhh_sZfVWG12hvyrDVH



Scale = 1:90.6

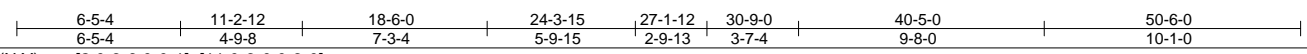
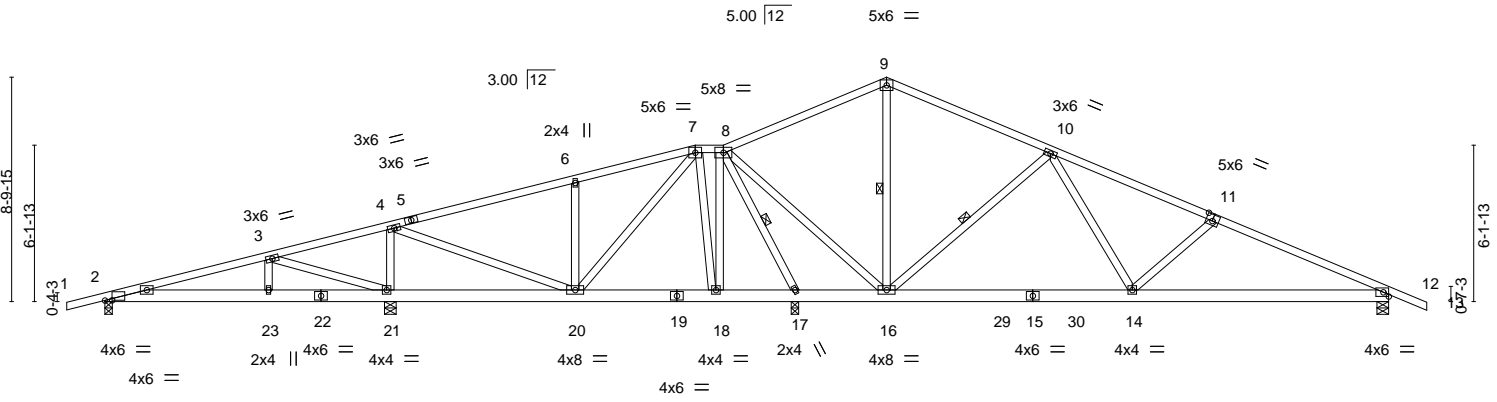


Plate Offsets (X,Y)--	[2:0-3-6,0-0-1], [11:0-3-0,0-3-0]
-----------------------	-----------------------------------

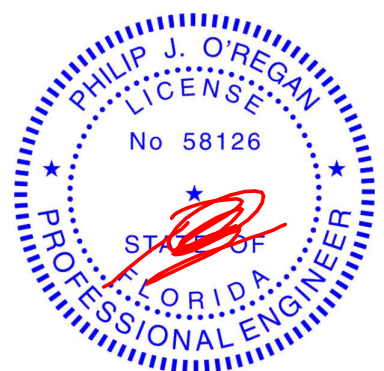
LOADING (psf)	SPACING-	2-0-0	CSI.	DEFL.	in (loc)	l/def	L/d	PLATES	GRIP
TCLL 20.0	Plate Grip DOL	1.25	TC 0.48	Vert(LL)	-0.09 14-16	>999	240	MT20	244/190
TCDL 7.0	Lumber DOL	1.25	BC 0.46	Vert(CT)	-0.16 14-16	>999	180		
BCLL 0.0 *	Rep Stress Incr	YES	WB 0.82	Horz(CT)	0.01 12	n/a	n/a		
BCDL 10.0	Code FBC2017/TPI2014		Matrix-MS						
								Weight: 320 lb	FT = 20%

LUMBER-	BRACING-
TOP CHORD 2x4 SP No.2	TOP CHORD Structural wood sheathing directly applied or 4-8-10 oc purlins.
BOT CHORD 2x6 SP No.2	BOT CHORD Rigid ceiling directly applied or 6-0-0 oc bracing.
WEBS 2x4 SP No.3	WEBS 1 Row at midpt 8-17, 9-16, 10-16

REACTIONS. All bearings 0-3-8 except (jt=length) 21=0-5-8, 12=0-5-8.
 (lb) - Max Horz 2=-188(LC 17)
 Max Uplift All uplift 100 lb or less at joint(s) except 2=-311(LC 8), 21=-687(LC 8), 17=-539(LC 12), 12=-389(LC 13)
 Max Grav All reactions 250 lb or less at joint(s) except 2=379(LC 23), 21=1137(LC 23), 17=1587(LC 1), 12=851(LC 24)

FORCES. (lb) - Max. Comp./Max. Ten. - All forces 250 (lb) or less except when shown.
 TOP CHORD 2-3=-353/437, 3-4=-421/468, 4-6=-343/118, 6-7=-336/198, 10-11=-1055/578, 11-12=-1328/697
 BOT CHORD 2-23=-333/316, 21-23=-333/316, 20-21=-419/558, 18-20=-145/293, 17-18=-178/310, 16-17=-805/692, 14-16=-163/657, 12-14=-523/1166
 WEBS 3-23=-282/230, 3-21=-742/934, 4-21=-773/550, 4-20=-401/719, 6-20=-365/329, 7-20=-195/356, 7-18=-254/123, 8-18=-71/281, 8-17=-1578/847, 8-16=-591/1218, 10-16=-748/529, 10-14=-219/581, 11-14=-350/351

- NOTES-**
- Unbalanced roof live loads have been considered for this design.
 - Wind: ASCE 7-10; Vult=130mph (3-second gust) Vasd=101mph; TCDL=4.2psf; BCDL=3.0psf; h=18ft; Cat. II; Exp C; Encl., GCpi=0.18; MWFRS (envelope) gable end zone and C-C Exterior(2) zone; porch left exposed; C-C for members and forces & MWFRS for reactions shown; Lumber DOL=1.60 plate grip DOL=1.60
 - Provide adequate drainage to prevent water ponding.
 - This truss has been designed for a 10.0 psf bottom chord live load nonconcurrent with any other live loads.
 - * This truss has been designed for a live load of 20.0psf on the bottom chord in all areas where a rectangle 3-6-0 tall by 2-0-0 wide will fit between the bottom chord and any other members, with BCDL = 10.0psf.
 - Provide mechanical connection (by others) of truss to bearing plate capable of withstanding 311 lb uplift at joint 2, 687 lb uplift at joint 21, 539 lb uplift at joint 17 and 389 lb uplift at joint 12.



Philip J. O'Regan PE No.58126
 MiTek USA, Inc. FL Cert 6634
 6904 Parke East Blvd. Tampa FL 33610
 Date:

August 4, 2020

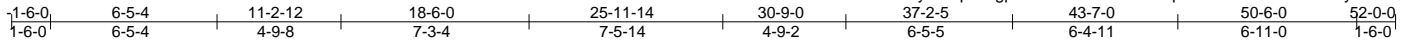
<p>WARNING - Verify design parameters and READ NOTES ON THIS AND INCLUDED MITEK REFERENCE PAGE MII-7473 rev. 5/19/2020 BEFORE USE. Design valid for use only with MiTek® connectors. This design is based only upon parameters shown, and is for an individual building component, not a truss system. Before use, the building designer must verify the applicability of design parameters and properly incorporate this design into the overall building design. Bracing indicated is to prevent buckling of individual truss web and/or chord members only. Additional temporary and permanent bracing is always required for stability and to prevent collapse with possible personal injury and property damage. For general guidance regarding the fabrication, storage, delivery, erection and bracing of trusses and truss systems, see ANSI/TPI1 Quality Criteria, DSB-89 and BCSI Building Component Safety Information available from Truss Plate Institute, 2670 Crain Highway, Suite 203 Waldorf, MD 20601</p>	 6904 Parke East Blvd. Tampa, FL 36610
--	--

Job 2380539	Truss T23	Truss Type Roof Special	Qty 4	Ply 1	AMIRA BLDRS. - NICEWONGER RES. T20922674
----------------	--------------	----------------------------	----------	----------	---

Builders FirstSource, Jacksonville, FL - 32244,

8.240 s Mar 9 2020 MiTek Industries, Inc. Tue Aug 4 13:02:22 2020 Page 1

ID:aWWYZLkSHCowoxc8cTivEVyrGuq-TICgplQMv0CIOX9LMedCqFrHmVNXKX5nzaE9InyrDVF



Scale = 1:89.1

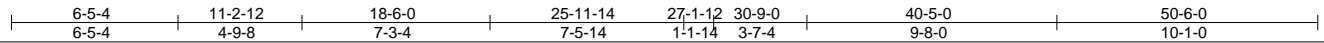
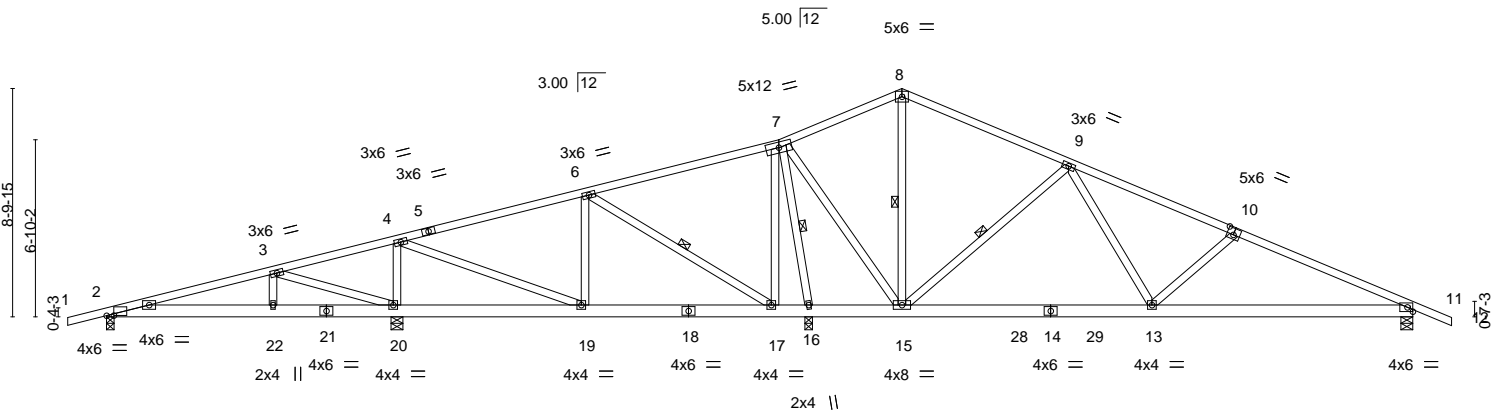


Plate Offsets (X, Y)-- [2:0-3-6,0-0-1], [10:0-3-0,0-3-0]

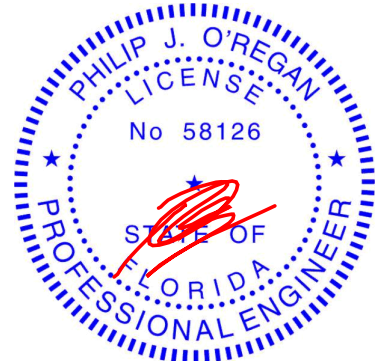
LOADING (psf)	SPACING -	2-0-0	CSI.	DEFL.	in (loc)	l/defl	L/d	PLATES	GRIP
TCLL 20.0	Plate Grip DOL	1.25	TC 0.63	Vert(LL)	-0.08 13-15	>999	240	MT20	244/190
TCDL 7.0	Lumber DOL	1.25	BC 0.45	Vert(CT)	-0.15 13-15	>999	180		
BCLL 0.0 *	Rep Stress Incr	YES	WB 0.57	Horz(CT)	0.01 11	n/a	n/a		
BCDL 10.0	Code FBC2017/TPI2014		Matrix-MS					Weight: 314 lb	FT = 20%

LUMBER-	BRACING-
TOP CHORD 2x4 SP No.2	TOP CHORD Structural wood sheathing directly applied or 4-10-1 oc purlins.
BOT CHORD 2x6 SP No.2	BOT CHORD Rigid ceiling directly applied or 6-0-0 oc bracing.
WEBS 2x4 SP No.3	WEBS 1 Row at midpt 6-17, 7-16, 8-15, 9-15

REACTIONS. All bearings 0-3-8 except (jt=length) 20=0-5-8, 11=0-5-8.
 (lb) - Max Horz 2=-188(LC 17)
 Max Uplift All uplift 100 lb or less at joint(s) except 2=-313(LC 8), 20=-660(LC 8), 16=-576(LC 12), 11=-373(LC 13)
 Max Grav All reactions 250 lb or less at joint(s) except 2=380(LC 23), 20=1095(LC 23), 16=1683(LC 1), 11=825(LC 24)

FORCES. (lb) - Max. Comp./Max. Ten. - All forces 250 (lb) or less except when shown.
 TOP CHORD 2-3=-355/458, 3-4=-411/477, 4-6=-300/97, 6-7=-135/386, 9-10=-992/521, 10-11=-1265/640
 BOT CHORD 2-22=-354/324, 20-22=-354/324, 19-20=-429/550, 17-19=-82/262, 16-17=-336/466, 15-16=-590/596, 13-15=-111/597, 11-13=-470/1107
 WEBS 3-22=-281/234, 3-20=-761/947, 4-20=-732/501, 4-19=-355/689, 6-17=-529/293, 7-17=-25/273, 7-16=-1402/720, 7-15=-479/1021, 8-15=-263/131, 9-15=-749/537, 9-13=-220/582, 10-13=-350/350

- NOTES-**
- Unbalanced roof live loads have been considered for this design.
 - Wind: ASCE 7-10; Vult=130mph (3-second gust) Vasd=101mph; TC DL=4.2psf; BCDL=3.0psf; h=18ft; Cat. II; Exp C; Encl., GCpi=0.18; MWFRS (envelope) gable end zone and C-C Exterior(2) zone; porch left exposed; C-C for members and forces & MWFRS for reactions shown; Lumber DOL=1.60 plate grip DOL=1.60
 - This truss has been designed for a 10.0 psf bottom chord live load nonconcurrent with any other live loads.
 - * This truss has been designed for a live load of 20.0psf on the bottom chord in all areas where a rectangle 3-6-0 tall by 2-0-0 wide will fit between the bottom chord and any other members, with BCDL = 10.0psf.
 - Provide mechanical connection (by others) of truss to bearing plate capable of withstanding 313 lb uplift at joint 2, 660 lb uplift at joint 20, 576 lb uplift at joint 16 and 373 lb uplift at joint 11.



Philip J. O'Regan PE No.58126
 MiTek USA, Inc. FL Cert 6634
 6904 Parke East Blvd. Tampa FL 33610
 Date:

August 4, 2020

WARNING - Verify design parameters and READ NOTES ON THIS AND INCLUDED MITEK REFERENCE PAGE MII-7473 rev. 5/19/2020 BEFORE USE.
 Design valid for use only with MiTek® connectors. This design is based only upon parameters shown, and is for an individual building component, not a truss system. Before use, the building designer must verify the applicability of design parameters and properly incorporate this design into the overall building design. Bracing indicated is to prevent buckling of individual truss web and/or chord members only. Additional temporary and permanent bracing is always required for stability and to prevent collapse with possible personal injury and property damage. For general guidance regarding the fabrication, storage, delivery, erection and bracing of trusses and truss systems, see **ANSI/TPI1 Quality Criteria, DSB-89 and BCSI Building Component Safety Information** available from Truss Plate Institute, 2670 Crain Highway, Suite 203 Waldorf, MD 20601



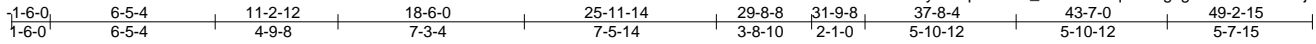
Job 2380539	Truss T24	Truss Type Hip	Qty 1	Ply 1	AMIRA BLDRS. - NICEWONGER RES. T20922675
----------------	--------------	-------------------	----------	----------	---

Builders FirstSource, Jacksonville, FL - 32244,

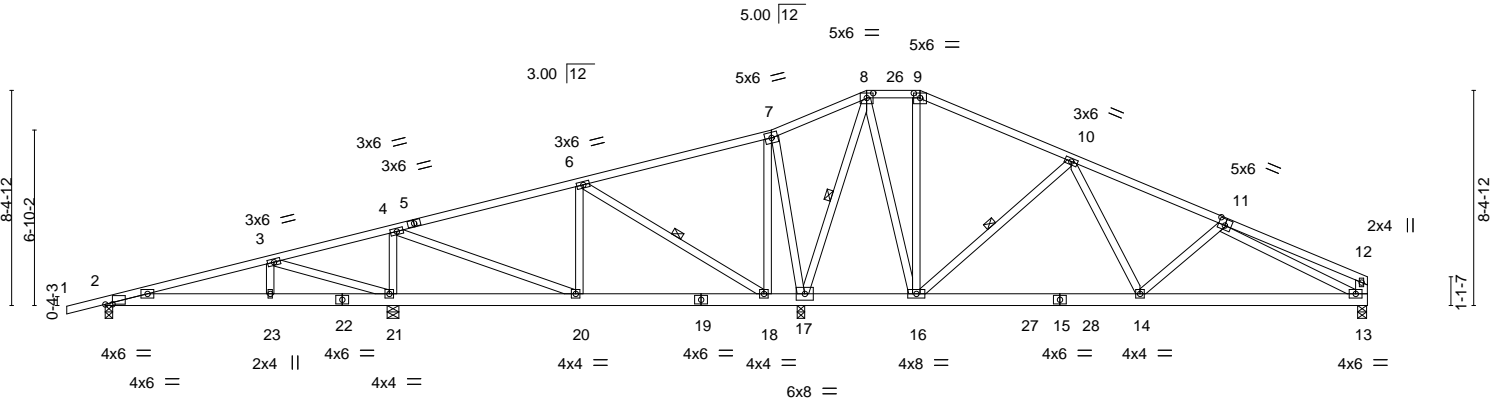
8.240 s Mar 9 2020 MiTek Industries, Inc. Tue Aug 4 13:02:24 2020 Page 1

ID:aWWYZLKSHCowoxc8cTlvEVyrGuq-P7JQE_RdRdSTdqJkT2fgvgwdf15FoOt4RujGqgyrDVD

Job Reference (optional)



Scale = 1:89.9



6-5-4	11-2-12	18-6-0	25-11-14	27-1-12	31-9-8	40-4-8	49-2-9	49-2-15
6-5-4	4-9-8	7-3-4	7-5-14	1-1-14	4-7-12	8-7-0	8-10-2	0-0-6

Plate Offsets (X, Y)-- [2:0-3-6,0-0-1], [8:0-3-0,0-2-4], [9:0-3-0,0-2-4], [11:0-3-0,0-3-0]

LOADING (psf)	SPACING-	2-0-0	CSI.	DEFL.	in (loc)	l/defl	L/d	PLATES	GRIP
TCLL 20.0	Plate Grip DOL	1.25	TC 0.63	Vert(LL)	0.06 23-25	>999	240	MT20	244/190
TCDL 7.0	Lumber DOL	1.25	BC 0.37	Vert(CT)	-0.10 13-14	>999	180		
BCLL 0.0 *	Rep Stress Incr	YES	WB 0.74	Horz(CT)	0.01 13	n/a	n/a		
BCDL 10.0	Code FBC2017/TPI2014		Matrix-MS						
								Weight: 327 lb	FT = 20%

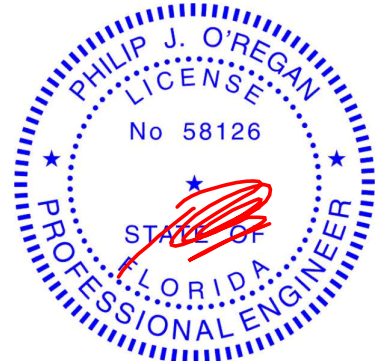
LUMBER-
TOP CHORD 2x4 SP No.2
BOT CHORD 2x6 SP No.2
WEBS 2x4 SP No.3 *Except*
12-13: 2x6 SP No.2

BRACING-
TOP CHORD Structural wood sheathing directly applied or 5-11-9 oc purlins.
BOT CHORD Rigid ceiling directly applied or 6-0-0 oc bracing.
WEBS 1 Row at midpt 6-18, 8-17, 10-16

REACTIONS. All bearings 0-3-8 except (jt=length) 21=0-5-8, 13=0-4-3.
(lb) - Max Horz 2=209(LC 12)
Max Uplift All uplift 100 lb or less at joint(s) except 2=-311(LC 8), 21=-656(LC 8), 17=-589(LC 12), 13=-296(LC 13)
Max Grav All reactions 250 lb or less at joint(s) except 2=382(LC 23), 21=1067(LC 23), 17=1647(LC 1), 13=697(LC 24)

FORCES. (lb) - Max. Comp./Max. Ten. - All forces 250 (lb) or less except when shown.
TOP CHORD 2-3=-366/433, 3-4=-436/444, 4-6=-264/78, 6-7=-148/380, 7-8=-113/489, 10-11=-877/428
BOT CHORD 2-23=-412/335, 21-23=-412/335, 20-21=-397/487, 17-18=-333/395, 16-17=-151/292, 14-16=-140/592, 13-14=-409/898
WEBS 3-23=-281/233, 3-21=-759/946, 4-21=-702/502, 4-20=-358/640, 6-18=-528/295, 7-18=-69/357, 7-17=-520/303, 8-17=-1051/528, 8-16=-385/733, 10-16=-628/459, 10-14=-141/446, 11-14=-204/280, 11-13=-1035/472


NOTES-
1) Unbalanced roof live loads have been considered for this design.
2) Wind: ASCE 7-10; Vult=130mph (3-second gust) Vasd=101mph; TCDL=4.2psf; BCDL=3.0psf; h=18ft; Cat. II; Exp C; Encl., GCpi=0.18; MWFRS (envelope) gable end zone and C-C Exterior(2) zone; porch left exposed; C-C for members and forces & MWFRS for reactions shown; Lumber DOL=1.60 plate grip DOL=1.60
3) Provide adequate drainage to prevent water ponding.
4) This truss has been designed for a 10.0 psf bottom chord live load nonconcurrent with any other live loads.
5) * This truss has been designed for a live load of 20.0psf on the bottom chord in all areas where a rectangle 3-6-0 tall by 2-0-0 wide will fit between the bottom chord and any other members, with BCDL = 10.0psf.
6) Provide mechanical connection (by others) of truss to bearing plate capable of withstanding 311 lb uplift at joint 2, 656 lb uplift at joint 21, 589 lb uplift at joint 17 and 296 lb uplift at joint 13.



Philip J. O'Regan PE No.58126
MiTek USA, Inc. FL Cert 6634
6904 Parke East Blvd. Tampa FL 33610
Date:

August 4, 2020

WARNING - Verify design parameters and READ NOTES ON THIS AND INCLUDED MITEK REFERENCE PAGE MII-7473 rev. 5/19/2020 BEFORE USE.
Design valid for use only with MiTek® connectors. This design is based only upon parameters shown, and is for an individual building component, not a truss system. Before use, the building designer must verify the applicability of design parameters and properly incorporate this design into the overall building design. Bracing indicated is to prevent buckling of individual truss web and/or chord members only. Additional temporary and permanent bracing is always required for stability and to prevent collapse with possible personal injury and property damage. For general guidance regarding the fabrication, storage, delivery, erection and bracing of trusses and truss systems, see **ANSI/TPI1 Quality Criteria, DSB-89 and BCSI Building Component Safety Information** available from Truss Plate Institute, 2670 Crain Highway, Suite 203 Waldorf, MD 20601



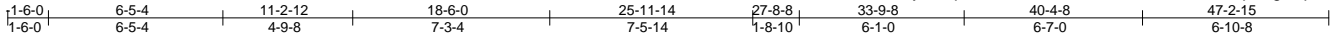
6904 Parke East Blvd.
Tampa, FL 36610

Job 2380539	Truss T25	Truss Type Hip	Qty 1	Ply 1	AMIRA BLDRS. - NICEWONGER RES. T20922676
----------------	--------------	-------------------	----------	----------	---

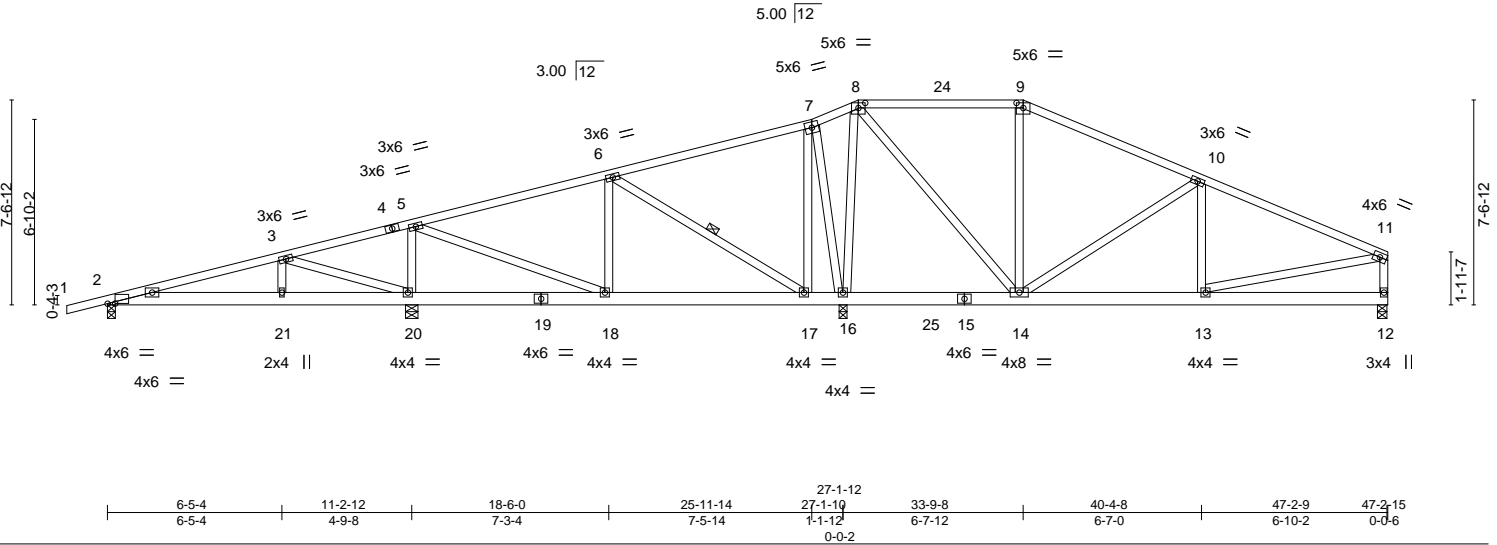
Builders FirstSource, Jacksonville, FL - 32244,

8.240 s Mar 9 2020 MiTek Industries, Inc. Tue Aug 4 13:02:25 2020 Page 1

ID:aWWYZLKSHCwoxc8cTlVevYrGuq-tKtoSJSFCxaKF_tw1mAvSuToNiRoXp0EgYSpM6yrDVC



Scale = 1:85.0



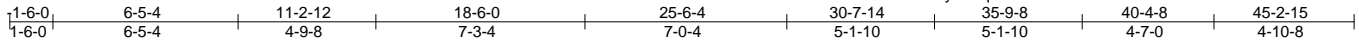
Job 2380539	Truss T26	Truss Type Roof Special	Qty 1	Ply 1	AMIRA BLDRS. - NICEWONGER RES. T20922677
----------------	--------------	----------------------------	----------	----------	---

Builders FirstSource, Jacksonville, FL - 32244,

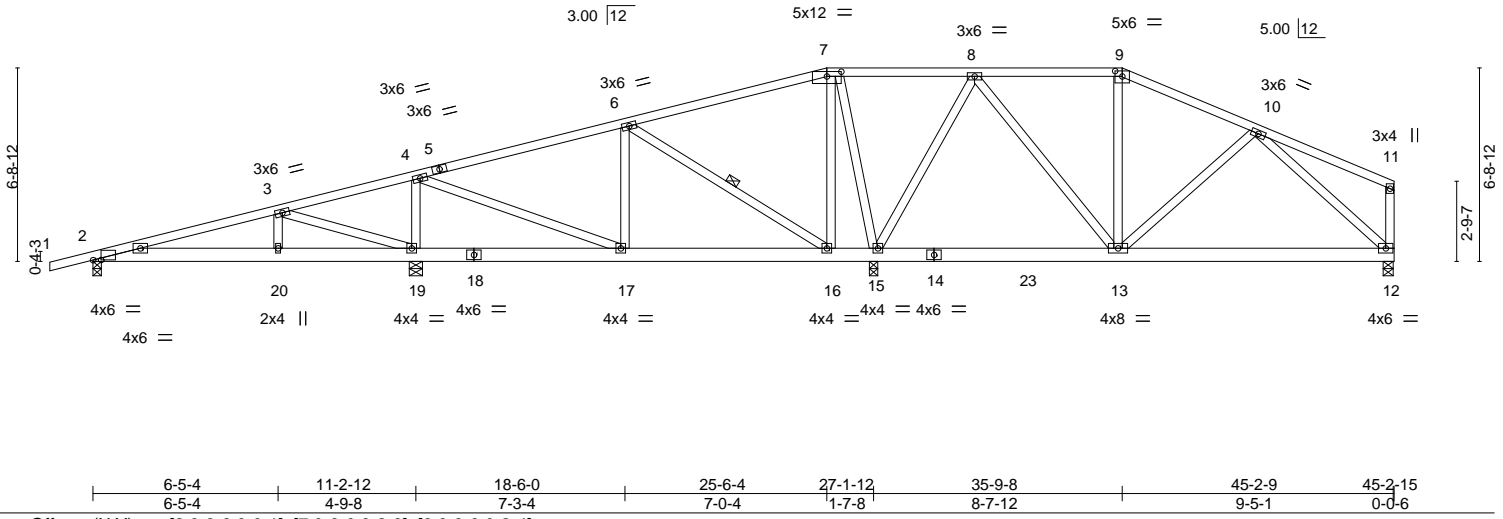
8.240 s Mar 9 2020 MiTek Industries, Inc. Tue Aug 4 13:02:26 2020 Page 1

ID:aWWYZLKSHCowoxc8cTivEVyrGuq-LWRAffTzFiAs8S6bTh8?5?z86mAGIJNuCCNuZyrDVB

Job Reference (optional)



Scale = 1:80.1



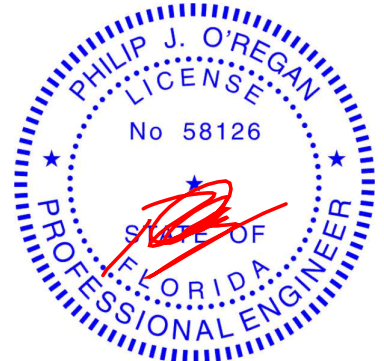
LOADING (psf)	SPACING-	2-0-0	CSI.	DEFL.	in (loc)	l/defl	L/d	PLATES	GRIP
TCLL 20.0	Plate Grip DOL	1.25	TC 0.54	Vert(LL)	-0.06 12-13	>999	240	MT20	244/190
TCDL 7.0	Lumber DOL	1.25	BC 0.34	Vert(CT)	-0.12 12-13	>999	180		
BCLL 0.0 *	Rep Stress Incr	YES	WB 0.75	Horz(CT)	0.01 12	n/a	n/a		
BCDL 10.0	Code FBC2017/TPI2014		Matrix-MS					Weight: 289 lb	FT = 20%

LUMBER-	BRACING-
TOP CHORD 2x4 SP No.2	TOP CHORD Structural wood sheathing directly applied or 6-0-0 oc purlins, except end verticals.
BOT CHORD 2x6 SP No.2	BOT CHORD Rigid ceiling directly applied or 6-0-0 oc bracing.
WEBS 2x4 SP No.3	WEBS 1 Row at midpt 6-16

REACTIONS. All bearings 0-3-8 except (jt=length) 19=0-5-8, 12=0-4-3.
 (lb) - Max Horz 2=219(LC 12)
 Max Uplift All uplift 100 lb or less at joint(s) except 2=-306(LC 8), 19=-678(LC 8), 15=-620(LC 8), 12=-248(LC 13)
 Max Grav All reactions 250 lb or less at joint(s) except 2=384(LC 23), 19=1084(LC 23), 15=1423(LC 1), 12=586(LC 24)

FORCES. (lb) - Max. Comp./Max. Ten. - All forces 250 (lb) or less except when shown.
 TOP CHORD 2-3=-370/399, 3-4=-465/428, 4-6=-293/111, 7-8=-101/323, 8-9=-380/255, 9-10=-468/240
 BOT CHORD 2-20=-467/339, 19-20=-467/339, 17-19=-381/428, 12-13=-191/435
 WEBS 3-20=-280/232, 3-19=-753/942, 4-19=-720/547, 4-17=-425/660, 6-16=-459/259, 7-16=-92/273, 7-15=-616/342, 8-15=-752/452, 8-13=-213/453, 10-12=-551/250

- NOTES-**
- Unbalanced roof live loads have been considered for this design.
 - Wind: ASCE 7-10; Vult=130mph (3-second gust) Vasd=101mph; TC DL=4.2psf; BCDL=3.0psf; h=18ft; Cat. II; Exp C; Encl., GCp=0.18; MWFRS (envelope) gable end zone and C-C Exterior(2) zone; porch left exposed; C-C for members and forces & MWFRS for reactions shown; Lumber DOL=1.60 plate grip DOL=1.60
 - Provide adequate drainage to prevent water ponding.
 - This truss has been designed for a 10.0 psf bottom chord live load nonconcurrent with any other live loads.
 - * This truss has been designed for a live load of 20.0psf on the bottom chord in all areas where a rectangle 3-6-0 tall by 2-0-0 wide will fit between the bottom chord and any other members, with BCDL = 10.0psf.
 - Provide mechanical connection (by others) of truss to bearing plate capable of withstanding 306 lb uplift at joint 2, 678 lb uplift at joint 19, 620 lb uplift at joint 15 and 248 lb uplift at joint 12.



Philip J. O'Regan PE No.58126
 MiTek USA, Inc. FL Cert 6634
 6904 Parke East Blvd. Tampa FL 33610
 Date:

August 4, 2020

WARNING - Verify design parameters and READ NOTES ON THIS AND INCLUDED MITEK REFERENCE PAGE MII-7473 rev. 5/19/2020 BEFORE USE.

Design valid for use only with MiTek® connectors. This design is based only upon parameters shown, and is for an individual building component, not a truss system. Before use, the building designer must verify the applicability of design parameters and properly incorporate this design into the overall building design. Bracing indicated is to prevent buckling of individual truss web and/or chord members only. Additional temporary and permanent bracing is always required for stability and to prevent collapse with possible personal injury and property damage. For general guidance regarding the fabrication, storage, delivery, erection and bracing of trusses and truss systems, see **ANSI/TPI1 Quality Criteria, DSB-89 and BCSI Building Component Safety Information** available from Truss Plate Institute, 2670 Crain Highway, Suite 203 Waldorf, MD 20601

6904 Parke East Blvd.
 Tampa, FL 36610

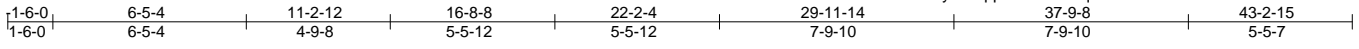
Job 2380539	Truss T27	Truss Type Roof Special	Qty 1	Ply 1	AMIRA BLDRS. - NICEWONGER RES. T20922678
----------------	--------------	----------------------------	----------	----------	---

Builders FirstSource, Jacksonville, FL - 32244,

8.240 s Mar 9 2020 MiTek Industries, Inc. Tue Aug 4 13:02:27 2020 Page 1

ID:aWWYZLKSHCowoxc8cTivEVyrGuq-pi?Zt?TVkYq1UI1J9BCNXJY5fW7Q?nSX7sxwR?yrDVA

Job Reference (optional)



Scale = 1:76.7

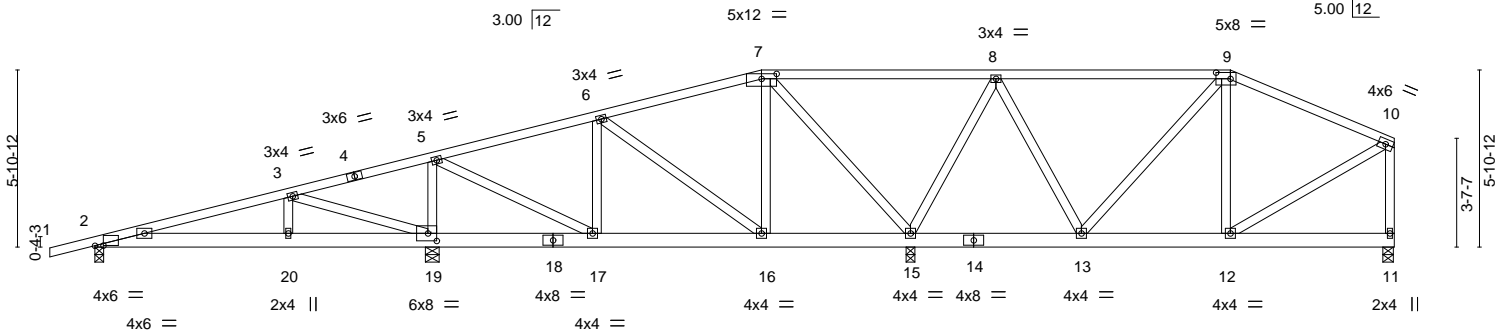


Plate Offsets (X,Y)--	[2:0-3-6,0-0-1], [7:0-6-0,0-2-0], [9:0-5-12,0-2-8], [19:0-3-8,0-3-0]
-----------------------	--

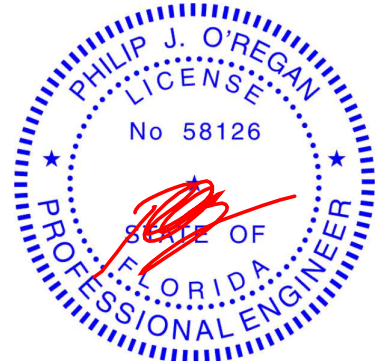
LOADING (psf)	SPACING-	2-0-0	CSI.	DEFL.	in (loc)	l/defl	L/d	PLATES	GRIP
TCLL 20.0	Plate Grip DOL	1.25	TC 0.75	Vert(LL)	0.06 20-22	>999	240	MT20	244/190
TCDL 7.0	Lumber DOL	1.25	BC 0.28	Vert(CT)	-0.06 20-22	>999	180		
BCLL 0.0 *	Rep Stress Incr	YES	WB 0.62	Horz(CT)	0.01 11	n/a	n/a		
BCDL 10.0	Code FBC2017/TPI2014		Matrix-MS					Weight: 273 lb	FT = 20%

LUMBER-	BRACING-
TOP CHORD 2x4 SP No.2	TOP CHORD Structural wood sheathing directly applied or 6-0-0 oc purlins, except end verticals.
BOT CHORD 2x6 SP No.2	BOT CHORD Rigid ceiling directly applied or 10-0-0 oc bracing, Except:
WEBS 2x4 SP No.3	9-8-12 oc bracing: 2-20 6-0-0 oc bracing: 17-19.

REACTIONS. All bearings 0-3-8 except (jt=length) 19=0-5-8, 11=0-4-3.
 (lb) - Max Horz 2=224(LC 12)
 Max Uplift All uplift 100 lb or less at joint(s) except 2=-302(LC 8), 19=-695(LC 8), 15=-592(LC 8), 11=-222(LC 13)
 Max Grav All reactions 250 lb or less at joint(s) except 2=379(LC 23), 19=1111(LC 23), 15=1299(LC 1), 11=517(LC 24)

FORCES. (lb) - Max. Comp./Max. Ten. - All forces 250 (lb) or less except when shown.
 TOP CHORD 2-3=-361/368, 3-5=-512/467, 7-8=-128/303, 9-10=-419/194, 10-11=-466/239
 BOT CHORD 2-20=-482/330, 19-20=-482/330, 17-19=-423/431, 12-13=-119/338
 WEBS 3-20=-273/244, 3-19=-792/961, 5-19=-750/554, 5-17=-455/703, 6-17=-215/261, 7-15=-614/327, 8-15=-805/492, 8-13=-78/314, 10-12=-123/371

- NOTES-**
- Unbalanced roof live loads have been considered for this design.
 - Wind: ASCE 7-10; Vult=130mph (3-second gust) Vasd=101mph; TC DL=4.2psf; BCDL=3.0psf; h=18ft; Cat. II; Exp C; Encl., GCpi=0.18; MWFRS (envelope) gable end zone and C-C Exterior(2) zone; porch left exposed; C-C for members and forces & MWFRS for reactions shown; Lumber DOL=1.60 plate grip DOL=1.60
 - Provide adequate drainage to prevent water ponding.
 - This truss has been designed for a 10.0 psf bottom chord live load nonconcurrent with any other live loads.
 - * This truss has been designed for a live load of 20.0psf on the bottom chord in all areas where a rectangle 3-6-0 tall by 2-0-0 wide will fit between the bottom chord and any other members.
 - Provide mechanical connection (by others) of truss to bearing plate capable of withstanding 302 lb uplift at joint 2, 695 lb uplift at joint 19, 592 lb uplift at joint 15 and 222 lb uplift at joint 11.



Philip J. O'Regan PE No.58126
 MiTek USA, Inc. FL Cert 6634
 6904 Parke East Blvd. Tampa FL 33610
 Date:

August 4, 2020

WARNING - Verify design parameters and READ NOTES ON THIS AND INCLUDED MITEK REFERENCE PAGE MII-7473 rev. 5/19/2020 BEFORE USE.

Design valid for use only with MiTek® connectors. This design is based only upon parameters shown, and is for an individual building component, not a truss system. Before use, the building designer must verify the applicability of design parameters and properly incorporate this design into the overall building design. Bracing indicated is to prevent buckling of individual truss web and/or chord members only. Additional temporary and permanent bracing is always required for stability and to prevent collapse with possible personal injury and property damage. For general guidance regarding the fabrication, storage, delivery, erection and bracing of trusses and truss systems, see **ANSI/TPI1 Quality Criteria, DSB-89 and BCSI Building Component Safety Information** available from Truss Plate Institute, 2670 Crain Highway, Suite 203 Waldorf, MD 20601

6904 Parke East Blvd.
 Tampa, FL 36610

Job	Truss	Truss Type	Qty	Ply	AMIRA BLDRS. - NICEWONGER RES.	T20922679
2380539	T28	Half Hip	1	1	Job Reference (optional)	

Builders FirstSource, Jacksonville, FL - 32244,

8.240 s Mar 9 2020 MiTek Industries, Inc. Tue Aug 4 13:02:28 2020 Page 1

ID:aWWYZLKSHCowoxc8cTivEVyrGuq-lvZx4LU7Vsyu6ScViujc4W5GrvQ3kFLGMWhUzRyRDV9



Scale = 1:72.0

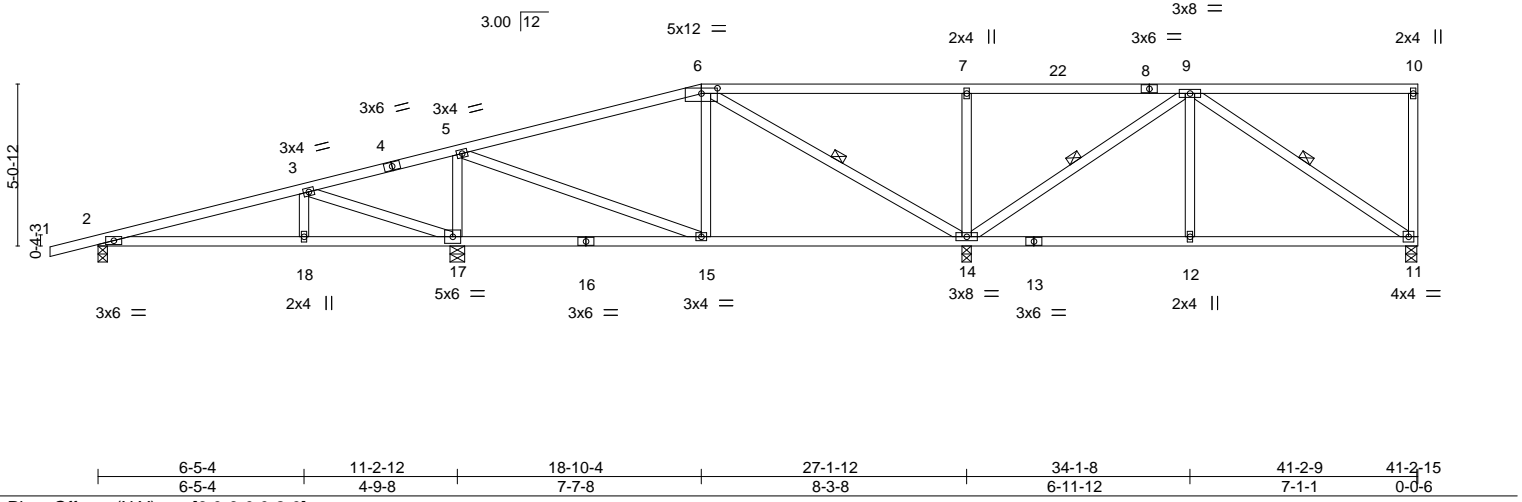


Plate Offsets (X, Y)--	[6:0-6-0,0-2-0]
------------------------	-----------------

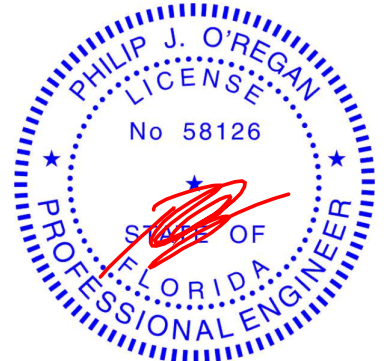
LOADING (psf)	SPACING-	2-0-0	CSI.	DEFL.	in (loc)	l/defl	L/d	PLATES	GRIP
TCLL 20.0	Plate Grip DOL	1.25	TC 0.72	Vert(LL)	0.11 18-21	>999	240	MT20	244/190
TCDL 7.0	Lumber DOL	1.25	BC 0.51	Vert(CT)	-0.14 14-15	>999	180		
BCLL 0.0 *	Rep Stress Incr	YES	WB 0.52	Horz(CT)	0.01 11	n/a	n/a		
BCDL 10.0	Code	FBC2017/TPI2014	Matrix-MS					Weight: 215 lb	FT = 20%

LUMBER-	BRACING-
TOP CHORD 2x4 SP No.2	TOP CHORD Structural wood sheathing directly applied or 6-0-0 oc purlins, except end verticals.
BOT CHORD 2x4 SP No.2	BOT CHORD Rigid ceiling directly applied or 6-0-0 oc bracing.
WEBS 2x4 SP No.3	WEBS 1 Row at midpt 6-14, 9-14, 9-11

REACTIONS. All bearings 0-3-8 except (jt=length) 11=0-4-3, 17=0-5-8.
 (lb) - Max Horz 2=254(LC 8)
 Max Uplift All uplift 100 lb or less at joint(s) except 11=207(LC 13), 2=310(LC 8), 17=688(LC 8), 14=564(LC 8)
 Max Grav All reactions 250 lb or less at joint(s) except 11=434(LC 24), 2=402(LC 1), 17=1084(LC 1), 14=1217(LC 1)

FORCES. (lb) - Max. Comp./Max. Ten. - All forces 250 (lb) or less except when shown.
 TOP CHORD 2-3=-442/401, 3-5=-437/328, 5-6=-355/134
 BOT CHORD 2-18=-594/406, 17-18=-594/406, 15-17=-283/280, 14-15=-162/292, 12-14=-160/321, 11-12=-160/321
 WEBS 3-18=-261/217, 3-17=-729/925, 5-17=-723/563, 5-15=-400/615, 6-14=-565/263, 7-14=-453/335, 9-14=-603/298, 9-12=0/294, 9-11=-360/181

- NOTES-**
- Unbalanced roof live loads have been considered for this design.
 - Wind: ASCE 7-10; Vult=130mph (3-second gust) Vasd=101mph; TCCL=4.2psf; BCDL=3.0psf; h=18ft; Cat. II; Exp C; Encl., GCp=0.18; MWFRS (envelope) gable end zone and C-C Exterior(2) zone; porch left exposed; C-C for members and forces & MWFRS for reactions shown; Lumber DOL=1.60 plate grip DOL=1.60
 - Provide adequate drainage to prevent water ponding.
 - This truss has been designed for a 10.0 psf bottom chord live load nonconcurrent with any other live loads.
 - * This truss has been designed for a live load of 20.0psf on the bottom chord in all areas where a rectangle 3-6-0 tall by 2-0-0 wide will fit between the bottom chord and any other members.
 - Provide mechanical connection (by others) of truss to bearing plate capable of withstanding 207 lb uplift at joint 11, 310 lb uplift at joint 2, 688 lb uplift at joint 17 and 564 lb uplift at joint 14.



Philip J. O'Regan PE No.58126
 MiTek USA, Inc. FL Cert 6634
 6904 Parke East Blvd. Tampa FL 33610
 Date:

August 4, 2020

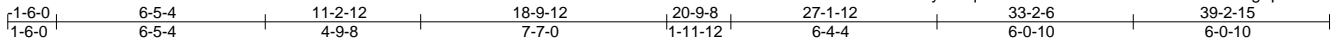
<p>WARNING - Verify design parameters and READ NOTES ON THIS AND INCLUDED MITEK REFERENCE PAGE MII-7473 rev. 5/19/2020 BEFORE USE.</p> <p>Design valid for use only with MiTek® connectors. This design is based only upon parameters shown, and is for an individual building component, not a truss system. Before use, the building designer must verify the applicability of design parameters and properly incorporate this design into the overall building design. Bracing indicated is to prevent buckling of individual truss web and/or chord members only. Additional temporary and permanent bracing is always required for stability and to prevent collapse with possible personal injury and property damage. For general guidance regarding the fabrication, storage, delivery, erection and bracing of trusses and truss systems, see ANSI/TPI1 Quality Criteria, DSB-89 and BCSI Building Component Safety Information available from Truss Plate Institute, 2670 Crain Highway, Suite 203 Waldorf, MD 20601</p>	<p>6904 Parke East Blvd. Tampa, FL 36610</p>
--	--

Job 2380539	Truss T29	Truss Type Roof Special	Qty 1	Ply 1	AMIRA BLDRS. - NICEWONGER RES. Job Reference (optional)	T20922680
----------------	--------------	----------------------------	----------	----------	--	-----------

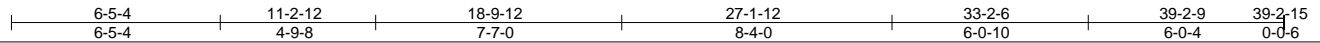
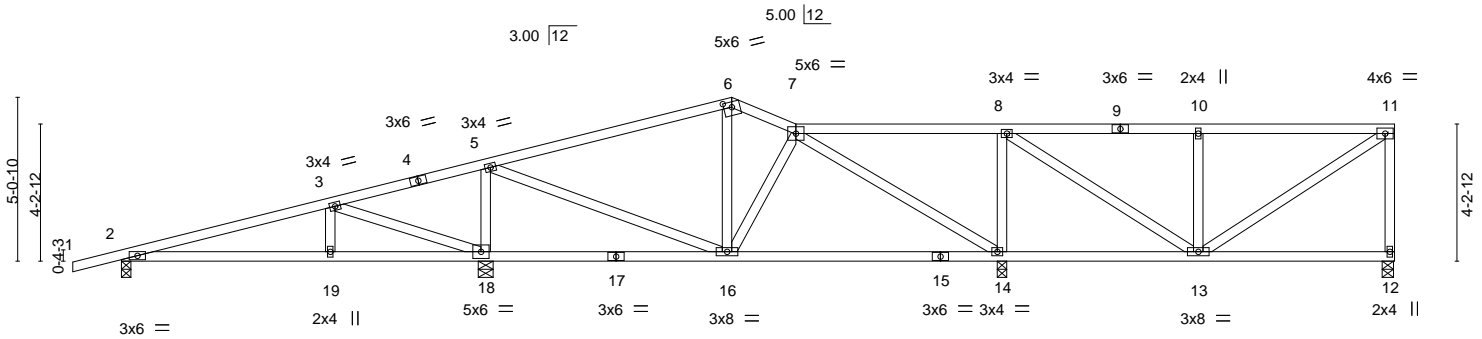
Builders FirstSource, Jacksonville, FL - 32244,

8.240 s Mar 9 2020 MiTek Industries, Inc. Tue Aug 4 13:02:29 2020 Page 1

ID: aWWYVZLKSHCwoxoc8cTlVvYrGuq-m57JHhVIGA4lkbBhGcFrckdULJI0TgZpaAQ1VtyrDV8



Scale = 1:71.0



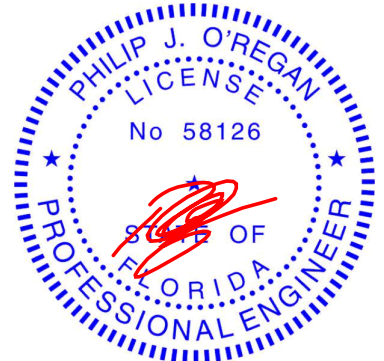
LOADING (psf)	SPACING-	2-0-0	CSI.	DEFL.	in (loc)	l/defl	L/d	PLATES	GRIP
TCLL 20.0	Plate Grip DOL	1.25	TC 0.55	Vert(LL)	0.11 19-22	>999	240	MT20	244/190
TCDL 7.0	Lumber DOL	1.25	BC 0.52	Vert(CT)	-0.18 14-16	>999	180		
BCLL 0.0 *	Rep Stress Incr	YES	WB 0.65	Horz(CT)	-0.01 18	n/a	n/a		
BCDL 10.0	Code	FBC2017/TPI2014	Matrix-MS					Weight: 204 lb	FT = 20%

LUMBER-	BRACING-
TOP CHORD 2x4 SP No.2	TOP CHORD Structural wood sheathing directly applied or 6-0-0 oc purlins, except end verticals.
BOT CHORD 2x4 SP No.2	BOT CHORD Rigid ceiling directly applied or 6-0-0 oc bracing.
WEBS 2x4 SP No.3	

REACTIONS. All bearings 0-3-8 except (jt=length) 12=0-4-3, 18=0-5-8.
 (lb) - Max Horz 2=227(LC 8)
 Max Uplift All uplift 100 lb or less at joint(s) except 12=169(LC 9), 2=315(LC 8), 18=670(LC 8), 14=489(LC 13)
 Max Grav All reactions 250 lb or less at joint(s) except 12=358(LC 24), 2=407(LC 23), 18=1096(LC 1), 14=1131(LC 1)

FORCES. (lb) - Max. Comp./Max. Ten. - All forces 250 (lb) or less except when shown.
 TOP CHORD 2-3=-459/417, 3-5=-415/330, 5-6=-358/115, 6-7=-332/123, 8-10=-265/128, 10-11=-265/128, 11-12=-302/182
 BOT CHORD 2-19=-565/423, 18-19=-565/423, 16-18=-284/303, 14-16=-129/290
 WEBS 3-19=-260/223, 3-18=-728/919, 5-18=-744/581, 5-16=-412/620, 7-14=-596/260, 8-14=-664/425, 8-13=-272/551, 10-13=-337/260, 11-13=-143/293

- NOTES-**
- Unbalanced roof live loads have been considered for this design.
 - Wind: ASCE 7-10; Vult=130mph (3-second gust) Vasd=101mph; TCDL=4.2psf; BCDL=3.0psf; h=18ft; Cat. II; Exp C; Encl., GCpi=0.18; MWFRS (envelope) gable end zone and C-C Exterior(2) zone; porch left exposed; C-C for members and forces & MWFRS for reactions shown; Lumber DOL=1.60 plate grip DOL=1.60
 - Provide adequate drainage to prevent water ponding.
 - This truss has been designed for a 10.0 psf bottom chord live load nonconcurrent with any other live loads.
 - * This truss has been designed for a live load of 20.0psf on the bottom chord in all areas where a rectangle 3-6-0 tall by 2-0-0 wide will fit between the bottom chord and any other members.
 - Provide mechanical connection (by others) of truss to bearing plate capable of withstanding 169 lb uplift at joint 12, 315 lb uplift at joint 2, 670 lb uplift at joint 18 and 489 lb uplift at joint 14.



Philip J. O'Regan PE No.58126
 MiTek USA, Inc. FL Cert 6634
 6904 Parke East Blvd. Tampa FL 33610
 Date:

August 4, 2020

WARNING - Verify design parameters and READ NOTES ON THIS AND INCLUDED MITEK REFERENCE PAGE MII-7473 rev. 5/19/2020 BEFORE USE.

Design valid for use only with MiTek® connectors. This design is based only upon parameters shown, and is for an individual building component, not a truss system. Before use, the building designer must verify the applicability of design parameters and properly incorporate this design into the overall building design. Bracing indicated is to prevent buckling of individual truss web and/or chord members only. Additional temporary and permanent bracing is always required for stability and to prevent collapse with possible personal injury and property damage. For general guidance regarding the fabrication, storage, delivery, erection and bracing of trusses and truss systems, see **ANSI/TPI1 Quality Criteria, DSB-89 and BCSI Building Component Safety Information** available from Truss Plate Institute, 2670 Crain Highway, Suite 203 Waldorf, MD 20601

6904 Parke East Blvd.
 Tampa, FL 36610

Job 2380539	Truss T30	Truss Type Roof Special	Qty 1	Ply 1	AMIRA BLDRS. - NICEWONGER RES. T20922681
----------------	--------------	----------------------------	----------	----------	---

Builders FirstSource, Jacksonville, FL - 32244,

8.240 s Mar 9 2020 MiTek Industries, Inc. Tue Aug 4 13:02:30 2020 Page 1

ID:aWWYZLKSHCowoxc8cTlvEVyrGuq-EHhhV1WN1TCcLmtqJm49xAdGj6UCA7zpqAa1KyrDV7



Scale = 1:66.4

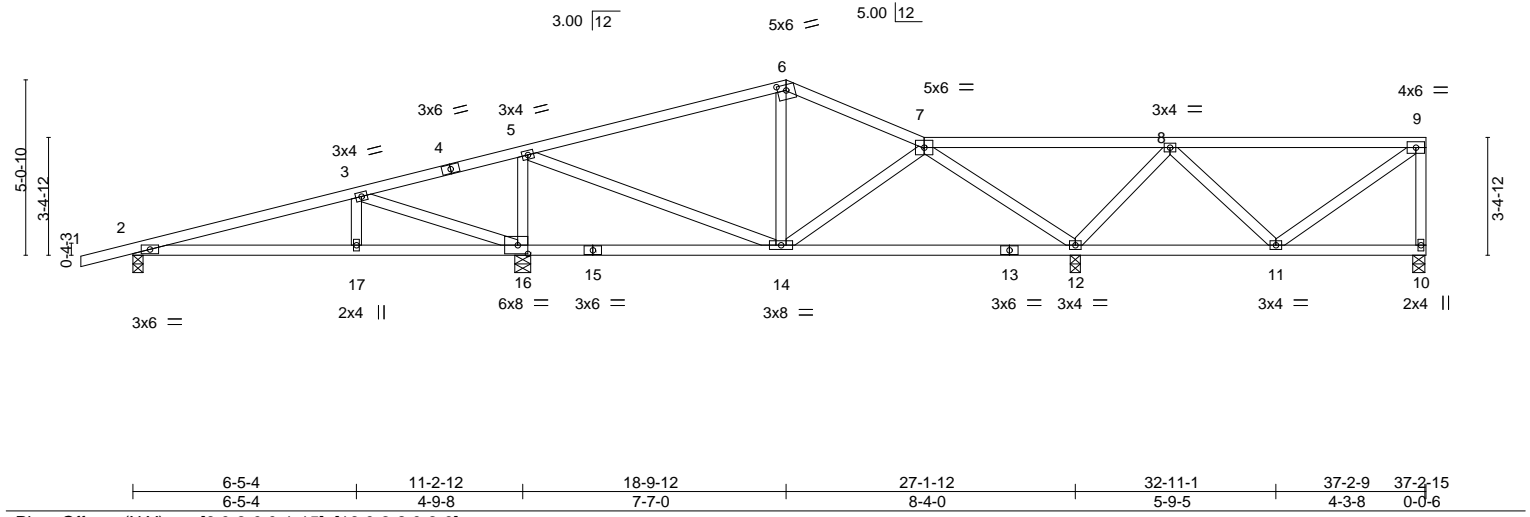


Plate Offsets (X, Y)--	[6:0-3-0,0-1-15], [16:0-3-8,0-3-0]
------------------------	------------------------------------

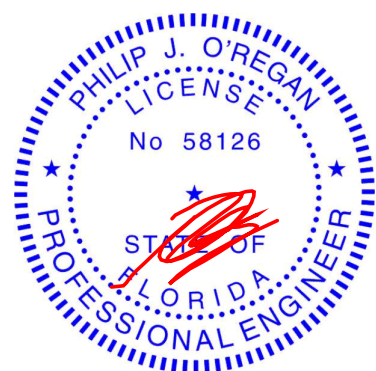
LOADING (psf)	SPACING-	2-0-0	CSI.	DEFL.	in (loc)	l/def	L/d	PLATES	GRIP
TCLL 20.0	Plate Grip DOL	1.25	TC 0.66	Vert(LL)	0.11 17-20	>999	240	MT20	244/190
TCDL 7.0	Lumber DOL	1.25	BC 0.51	Vert(CT)	-0.18 12-14	>999	180		
BCLL 0.0 *	Rep Stress Incr	YES	WB 0.50	Horz(CT)	-0.01 16	n/a	n/a		
BCDL 10.0	Code FBC2017/TPI2014		Matrix-MS					Weight: 184 lb	FT = 20%

LUMBER-	BRACING-
TOP CHORD 2x4 SP No.2	TOP CHORD Structural wood sheathing directly applied or 6-0-0 oc purlins, except end verticals.
BOT CHORD 2x4 SP No.2	BOT CHORD Rigid ceiling directly applied or 6-0-0 oc bracing.
WEBS 2x4 SP No.3	

REACTIONS. All bearings 0-3-8 except (jt=length) 10=0-4-3, 16=0-5-8.
 (lb) - Max Horz 2=200(LC 8)
 Max Uplift All uplift 100 lb or less at joint(s) except 10=132(LC 9), 2=318(LC 8), 16=672(LC 8), 12=459(LC 13)
 Max Grav All reactions 250 lb or less at joint(s) except 10=266(LC 24), 2=408(LC 23), 16=1093(LC 1), 12=1079(LC 1)

FORCES. (lb) - Max. Comp./Max. Ten. - All forces 250 (lb) or less except when shown.
 TOP CHORD 2-3=-465/449, 3-5=-393/321, 5-6=-359/137, 6-7=-362/129, 7-8=-216/376
 BOT CHORD 2-17=-551/428, 16-17=-551/428, 14-16=-275/327
 WEBS 3-17=-266/222, 3-16=-727/929, 5-16=-741/585, 5-14=-417/611, 7-12=-746/390, 8-12=-655/413

- NOTES-**
- Unbalanced roof live loads have been considered for this design.
 - Wind: ASCE 7-10; Vult=130mph (3-second gust) Vasd=101mph; TC DL=4.2psf; BCDL=3.0psf; h=18ft; Cat. II; Exp C; Encl., GCpi=0.18; MWFRS (envelope) gable end zone and C-C Exterior(2) zone; porch left exposed; C-C for members and forces & MWFRS for reactions shown; Lumber DOL=1.60 plate grip DOL=1.60
 - Provide adequate drainage to prevent water ponding.
 - This truss has been designed for a 10.0 psf bottom chord live load nonconcurrent with any other live loads.
 - * This truss has been designed for a live load of 20.0psf on the bottom chord in all areas where a rectangle 3-6-0 tall by 2-0-0 wide will fit between the bottom chord and any other members.
 - Provide mechanical connection (by others) of truss to bearing plate capable of withstanding 132 lb uplift at joint 10, 318 lb uplift at joint 2, 672 lb uplift at joint 16 and 459 lb uplift at joint 12.



Philip J. O'Regan PE No.58126
 MiTek USA, Inc. FL Cert 6634
 6904 Parke East Blvd. Tampa FL 33610
 Date:

August 4, 2020

<p>WARNING - Verify design parameters and READ NOTES ON THIS AND INCLUDED MITEK REFERENCE PAGE MII-7473 rev. 5/19/2020 BEFORE USE. Design valid for use only with MiTek® connectors. This design is based only upon parameters shown, and is for an individual building component, not a truss system. Before use, the building designer must verify the applicability of design parameters and properly incorporate this design into the overall building design. Bracing indicated is to prevent buckling of individual truss web and/or chord members only. Additional temporary and permanent bracing is always required for stability and to prevent collapse with possible personal injury and property damage. For general guidance regarding the fabrication, storage, delivery, erection and bracing of trusses and truss systems, see ANSI/TPI1 Quality Criteria, DSB-89 and BCSI Building Component Safety Information available from Truss Plate Institute, 2670 Crain Highway, Suite 203 Waldorf, MD 20601</p>	 6904 Parke East Blvd. Tampa, FL 36610
--	--

Job 2380539	Truss T31	Truss Type Roof Special	Qty 1	Ply 1	AMIRA BLDRS. - NICEWONGER RES. T20922682
----------------	--------------	----------------------------	----------	----------	---

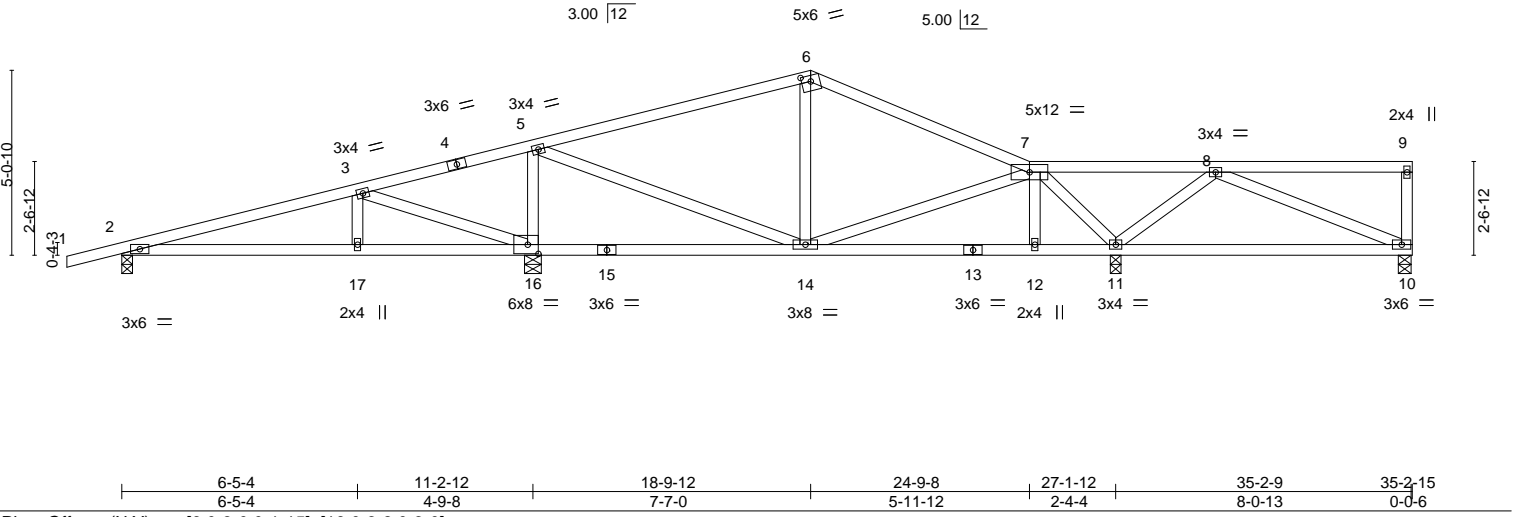
Builders FirstSource, Jacksonville, FL - 32244,

8.240 s Mar 9 2020 MiTek Industries, Inc. Tue Aug 4 13:02:32 2020 Page 1

ID:aWWYZLKSHCowoxc8cTIVeYrGuq-AgoSwjXeY5SKb3wGxkoYEMF?HXnBg3LGH8fh6CyrDV5



Scale = 1:62.9



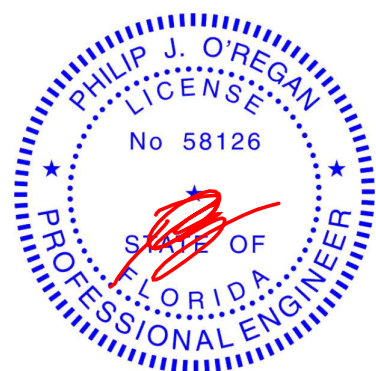
LOADING (psf)	SPACING-	2-0-0	CSI.	DEFL.	in (loc)	l/def	L/d	PLATES	GRIP
TCLL 20.0	Plate Grip DOL	1.25	TC 0.57	Vert(LL)	-0.10 10-11	>941	240	MT20	244/190
TCDL 7.0	Lumber DOL	1.25	BC 0.49	Vert(CT)	-0.20 10-11	>474	180		
BCLL 0.0 *	Rep Stress Incr	YES	WB 0.52	Horz(CT)	-0.01 16	n/a	n/a		
BCDL 10.0	Code FBC2017/TPI2014		Matrix-MS					Weight: 172 lb	FT = 20%

LUMBER-	BRACING-
TOP CHORD 2x4 SP No.2	TOP CHORD Structural wood sheathing directly applied or 6-0-0 oc purlins, except end verticals.
BOT CHORD 2x4 SP No.2	BOT CHORD Rigid ceiling directly applied or 6-0-0 oc bracing.
WEBS 2x4 SP No.3	

REACTIONS. All bearings 0-3-8 except (jt=length) 10=0-4-3, 16=0-5-8.
 (lb) - Max Horz 2=176(LC 12)
 Max Uplift All uplift 100 lb or less at joint(s) 10 except 2=-324(LC 8), 16=-673(LC 8), 11=-423(LC 13)
 Max Grav All reactions 250 lb or less at joint(s) 10 except 2=410(LC 23), 16=1105(LC 1), 11=979(LC 1)

FORCES. (lb) - Max. Comp./Max. Ten. - All forces 250 (lb) or less except when shown.
 TOP CHORD 2-3=-468/497, 3-5=-364/303, 5-6=-396/173, 6-7=-423/152, 7-8=-235/356
 BOT CHORD 2-17=-553/431, 16-17=-553/431, 14-16=-258/344
 WEBS 3-17=-274/218, 3-16=-726/949, 5-16=-747/587, 5-14=-432/632, 7-11=-737/400, 8-11=-497/350

- NOTES-**
- 1) Unbalanced roof live loads have been considered for this design.
 - 2) Wind: ASCE 7-10; Vult=130mph (3-second gust) Vasd=101mph; TCDL=4.2psf; BCDL=3.0psf; h=18ft; Cat. II; Exp C; Encl., GCpi=0.18; MWFRS (envelope) gable end zone and C-C Exterior(2) zone; porch left exposed; C-C for members and forces & MWFRS for reactions shown; Lumber DOL=1.60 plate grip DOL=1.60
 - 3) Provide adequate drainage to prevent water ponding.
 - 4) This truss has been designed for a 10.0 psf bottom chord live load nonconcurrent with any other live loads.
 - 5) * This truss has been designed for a live load of 20.0psf on the bottom chord in all areas where a rectangle 3-6-0 tall by 2-0-0 wide will fit between the bottom chord and any other members.
 - 6) Provide mechanical connection (by others) of truss to bearing plate capable of withstanding 100 lb uplift at joint(s) 10 except (jt=lb) 2=-324, 16=-673, 11=-423.



Philip J. O'Regan PE No.58126
 MiTek USA, Inc. FL Cert 6634
 6904 Parke East Blvd. Tampa FL 33610
 Date:

August 4, 2020

WARNING - Verify design parameters and READ NOTES ON THIS AND INCLUDED MITEK REFERENCE PAGE MII-7473 rev. 5/19/2020 BEFORE USE.

Design valid for use only with MiTek® connectors. This design is based only upon parameters shown, and is for an individual building component, not a truss system. Before use, the building designer must verify the applicability of design parameters and properly incorporate this design into the overall building design. Bracing indicated is to prevent buckling of individual truss web and/or chord members only. Additional temporary and permanent bracing is always required for stability and to prevent collapse with possible personal injury and property damage. For general guidance regarding the fabrication, storage, delivery, erection and bracing of trusses and truss systems, see **ANSI/TPI1 Quality Criteria, DSB-89 and BCSI Building Component Safety Information** available from Truss Plate Institute, 2670 Crain Highway, Suite 203 Waldorf, MD 20601

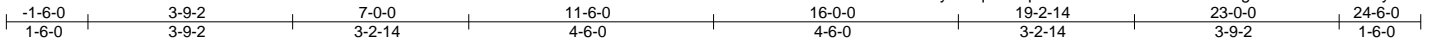
6904 Parke East Blvd.
 Tampa, FL 36610

Job 2380539	Truss T32	Truss Type Hip Girder	Qty 1	Ply 1	AMIRA BLDRS. - NICEWONGER RES. T20922683
----------------	--------------	--------------------------	----------	----------	---

Builders FirstSource, Jacksonville, FL - 32244,

8.240 s Mar 9 2020 MiTek Industries, Inc. Tue Aug 4 13:02:33 2020 Page 1

ID:aWWYZLKSHCwoxc8cTlVEVyrGuq-esMq72YGJOaBCDVSVRJnnao6gw0sPX1PVoOEefyrDV4



Scale = 1:42.4

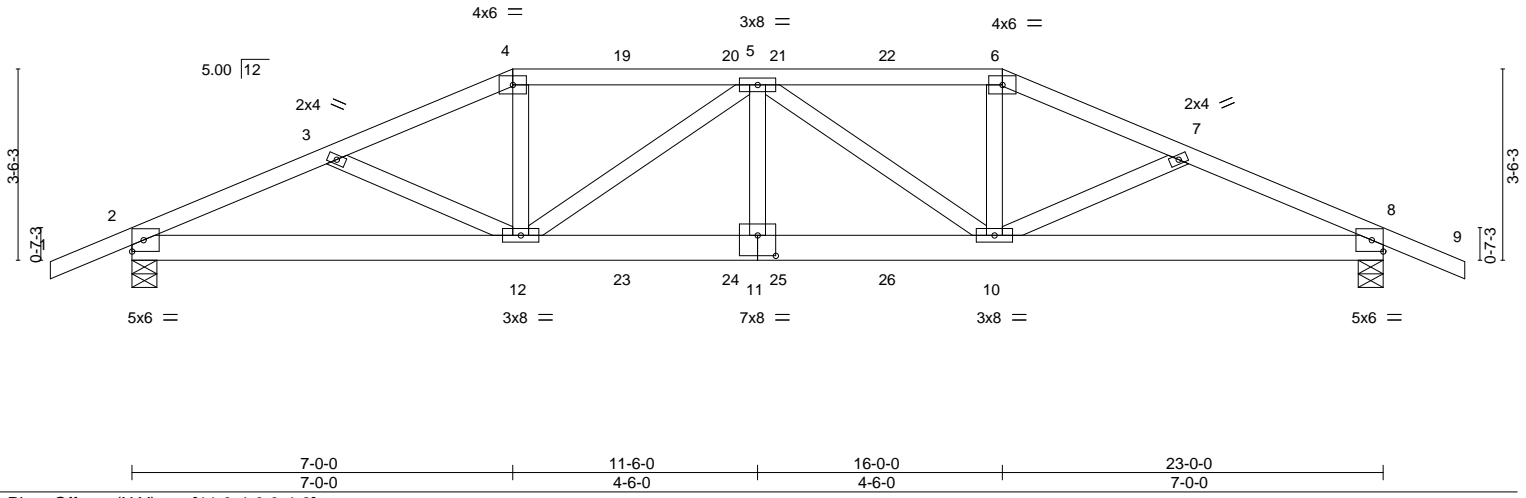


Plate Offsets (X,Y)--	[11:0-4-0,0-4-8]
-----------------------	------------------

LOADING (psf)	SPACING-	CSI.	DEFL.	PLATES	GRIP
TCLL 20.0	Plate Grip DOL 1.25	TC 0.78	Vert(LL) 0.20 11 >999 240	MT20	244/190
TCDL 7.0	Lumber DOL 1.25	BC 0.91	Vert(CT) -0.29 10-11 >939 180		
BCLL 0.0 *	Rep Stress Incr NO	WB 0.49	Horz(CT) 0.08 8 n/a n/a		
BCDL 10.0	Code FBC2017/TPI2014	Matrix-MS			
				Weight: 133 lb	FT = 20%

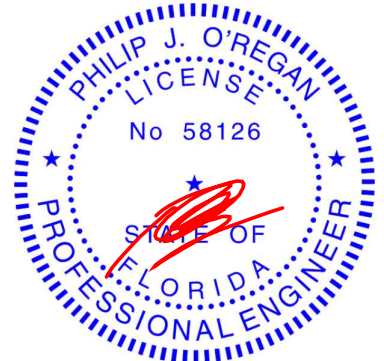
LUMBER-	BRACING-
TOP CHORD 2x4 SP No.2	TOP CHORD Structural wood sheathing directly applied or 2-5-8 oc purlins.
BOT CHORD 2x6 SP No.2	BOT CHORD Rigid ceiling directly applied or 5-4-5 oc bracing.
WEBS 2x4 SP No.3	

REACTIONS. (size) 2=0-5-8, 8=0-5-8
 Max Horz 2=-75(LC 9)
 Max Uplift 2=-861(LC 8), 8=-876(LC 9)
 Max Grav 2=1727(LC 1), 8=1758(LC 1)

FORCES. (lb) - Max. Comp./Max. Ten. - All forces 250 (lb) or less except when shown.
 TOP CHORD 2-3=-3436/1733, 3-4=-3324/1673, 4-5=-3094/1597, 5-6=-3158/1627, 6-7=-3396/1708, 7-8=-3506/1767
 BOT CHORD 2-12=-1583/3105, 11-12=-1857/3790, 10-11=-1857/3790, 8-10=-1540/3169
 WEBS 3-12=-167/253, 4-12=-368/880, 5-12=-913/526, 5-11=-86/443, 5-10=-821/451, 6-10=-316/828, 7-10=-172/256

- NOTES-**
- Unbalanced roof live loads have been considered for this design.
 - Wind: ASCE 7-10; Vult=130mph (3-second gust) Vasd=101mph; TCdL=4.2psf; BCdL=3.0psf; h=18ft; Cat. II; Exp C; Encl., GCpi=0.18; MWFRS (envelope) gable end zone; Lumber DOL=1.60 plate grip DOL=1.60
 - Provide adequate drainage to prevent water ponding.
 - This truss has been designed for a 10.0 psf bottom chord live load nonconcurrent with any other live loads.
 - * This truss has been designed for a live load of 20.0psf on the bottom chord in all areas where a rectangle 3-6-0 tall by 2-0-0 wide will fit between the bottom chord and any other members.
 - Provide mechanical connection (by others) of truss to bearing plate capable of withstanding 100 lb uplift at joint(s) except (it=lb) 2=861, 8=876.
 - Hanger(s) or other connection device(s) shall be provided sufficient to support concentrated load(s) 127 lb down and 123 lb up at 7-0-0, 109 lb down and 123 lb up at 9-0-12, 109 lb down and 118 lb up at 11-0-12, 109 lb down and 118 lb up at 11-11-4, and 109 lb down and 123 lb up at 13-11-4, and 235 lb down and 242 lb up at 16-0-0 on top chord, and 314 lb down and 182 lb up at 7-0-0, 84 lb down and 30 lb up at 9-0-12, 84 lb down and 30 lb up at 11-0-12, 84 lb down and 30 lb up at 11-11-4, and 84 lb down and 30 lb up at 13-11-4, and 314 lb down and 182 lb up at 15-11-4 on bottom chord. The design/selection of such connection device(s) is the responsibility of others.
 - In the LOAD CASE(S) section, loads applied to the face of the truss are noted as front (F) or back (B).

LOAD CASE(S) Standard
 1) Dead + Roof Live (balanced): Lumber Increase=1.25, Plate Increase=1.25
 Uniform Loads (plf)
 Vert: 1-4=-54, 4-6=-54, 6-9=-54, 13-16=-20




Philip J. O'Regan PE No.58126
 MiTek USA, Inc. FL Cert 6634
 6904 Parke East Blvd. Tampa FL 33610
 Date:

August 4, 2020

Continued on page 2

WARNING - Verify design parameters and READ NOTES ON THIS AND INCLUDED MITEK REFERENCE PAGE MII-7473 rev. 5/19/2020 BEFORE USE.
 Design valid for use only with MiTek® connectors. This design is based only upon parameters shown, and is for an individual building component, not a truss system. Before use, the building designer must verify the applicability of design parameters and properly incorporate this design into the overall building design. Bracing indicated is to prevent buckling of individual truss web and/or chord members only. Additional temporary and permanent bracing is always required for stability and to prevent collapse with possible personal injury and property damage. For general guidance regarding the fabrication, storage, delivery, erection and bracing of trusses and truss systems, see **ANSI/TPI1 Quality Criteria, DSB-89 and BCSI Building Component Safety Information** available from Truss Plate Institute, 2670 Crain Highway, Suite 203 Waldorf, MD 20601



6904 Parke East Blvd.
 Tampa, FL 36610

Job 2380539	Truss T32	Truss Type Hip Girder	Qty 1	Ply 1	AMIRA BLDRS. - NICEWONGER RES. T20922683 Job Reference (optional)
----------------	--------------	--------------------------	----------	----------	---

Builders FirstSource, Jacksonville, FL - 32244,

8.240 s Mar 9 2020 MiTek Industries, Inc. Tue Aug 4 13:02:33 2020 Page 2
ID:aWWYZLKSHCowoxc8cTlVEVyrGuq-esMq72YGJOaBCDVSVRJnnao6gw0sPX1PVoOEefyrDV4

LOAD CASE(S) Standard

Concentrated Loads (lb)

Vert: 4=-109(F) 6=-188(F) 12=-314(F) 10=-314(F) 19=-109(F) 20=-109(F) 21=-109(F) 22=-109(F) 23=-65(F) 24=-65(F) 25=-65(F) 26=-65(F)

WARNING - Verify design parameters and READ NOTES ON THIS AND INCLUDED MITEK REFERENCE PAGE MII-7473 rev. 5/19/2020 BEFORE USE.

Design valid for use only with MiTek® connectors. This design is based only upon parameters shown, and is for an individual building component, not a truss system. Before use, the building designer must verify the applicability of design parameters and properly incorporate this design into the overall building design. Bracing indicated is to prevent buckling of individual truss web and/or chord members only. Additional temporary and permanent bracing is always required for stability and to prevent collapse with possible personal injury and property damage. For general guidance regarding the fabrication, storage, delivery, erection and bracing of trusses and truss systems, see **ANSI/TPI1 Quality Criteria, DSB-89 and BCSI Building Component Safety Information** available from Truss Plate Institute, 2670 Crain Highway, Suite 203 Waldorf, MD 20601



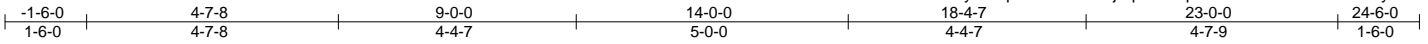
6904 Parke East Blvd.
Tampa, FL 36610

Job 2380539	Truss T33	Truss Type Hip	Qty 1	Ply 1	AMIRA BLDRS. - NICEWONGER RES. Job Reference (optional)	T20922684
----------------	--------------	-------------------	----------	----------	--	-----------

Builders FirstSource, Jacksonville, FL - 32244,

8.240 s Mar 9 2020 MiTek Industries, Inc. Tue Aug 4 13:02:34 2020 Page 1

ID:aWWYZLKSHCowoxc8cTivEVyrGuq-62wCLOZu4ij2qN4f39q1JnLNNKY83sZkS8oA5yrDV3



Scale = 1:42.4

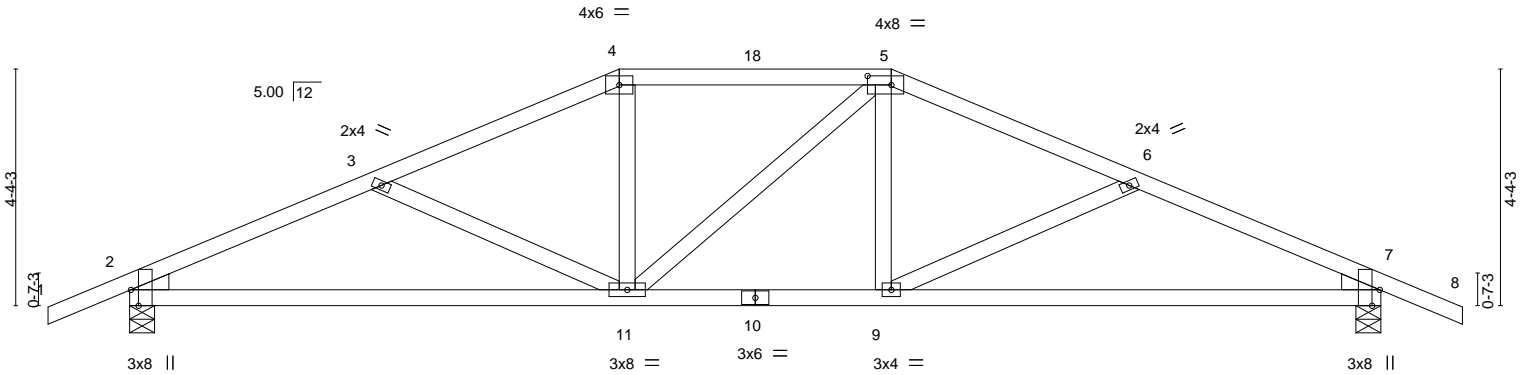


Plate Offsets (X,Y)--	[2:0-3-8,Edge], [2:0-0-2,0-5-14], [2:0-0-1,0-0-2], [5:0-5-4,0-2-0], [7:0-0-1,0-0-2], [7:0-0-2,0-5-14], [7:0-3-8,Edge]
-----------------------	---

LOADING (psf)	SPACING-	2-0-0	CSI.	DEFL.	in (loc)	l/defl	L/d	PLATES	GRIP
TCLL 20.0	Plate Grip DOL	1.25	TC 0.40	Vert(LL)	-0.12	9-17	>999	MT20	244/190
TCDL 7.0	Lumber DOL	1.25	BC 0.69	Vert(CT)	-0.26	9-17	>999		
BCLL 0.0 *	Rep Stress Incr	YES	WB 0.13	Horz(CT)	0.05	7	n/a		
BCDL 10.0	Code FBC2017/TPI2014		Matrix-MS						
								Weight: 112 lb	FT = 20%

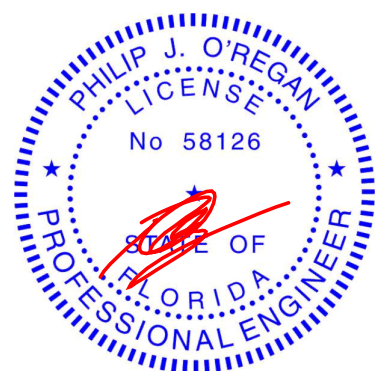
LUMBER-	BRACING-
TOP CHORD 2x4 SP No.2	TOP CHORD Structural wood sheathing directly applied or 4-6-4 oc purlins.
BOT CHORD 2x4 SP No.2	BOT CHORD Rigid ceiling directly applied or 7-1-5 oc bracing.
WEBS 2x4 SP No.3	
WEDGE	
Left: 2x4 SP No.3, Right: 2x4 SP No.3	

REACTIONS. (size) 2=0-5-8, 7=0-5-8
 Max Horz 2=92(LC 12)
 Max Uplift 2=-377(LC 12), 7=-377(LC 13)
 Max Grav 2=932(LC 1), 7=932(LC 1)

FORCES. (lb) - Max. Comp./Max. Ten. - All forces 250 (lb) or less except when shown.
 TOP CHORD 2-3=-1547/844, 3-4=-1303/693, 4-5=-1168/687, 5-6=-1302/693, 6-7=-1547/844
 BOT CHORD 2-11=-661/1383, 9-11=-456/1167, 7-9=-675/1383
 WEBS 3-11=-259/244, 4-11=-55/303, 5-9=-58/303, 6-9=-259/244

NOTES-

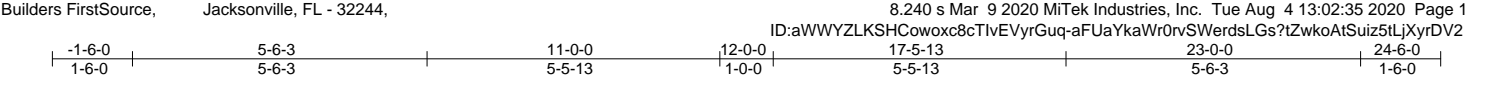
- 1) Unbalanced roof live loads have been considered for this design.
- 2) Wind: ASCE 7-10; Vult=130mph (3-second gust) Vasd=101mph; TCCL=4.2psf; BCCL=3.0psf; h=18ft; Cat. II; Exp C; Encl., GCpi=0.18; MWFRS (envelope) gable end zone and C-C Exterior(2) zone; C-C for members and forces & MWFRS for reactions shown; Lumber DOL=1.60 plate grip DOL=1.60
- 3) Provide adequate drainage to prevent water ponding.
- 4) This truss has been designed for a 10.0 psf bottom chord live load nonconcurrent with any other live loads.
- 5) * This truss has been designed for a live load of 20.0psf on the bottom chord in all areas where a rectangle 3-6-0 tall by 2-0-0 wide will fit between the bottom chord and any other members.
- 6) Provide mechanical connection (by others) of truss to bearing plate capable of withstanding 100 lb uplift at joint(s) except (jt=lb) 2=377, 7=377.



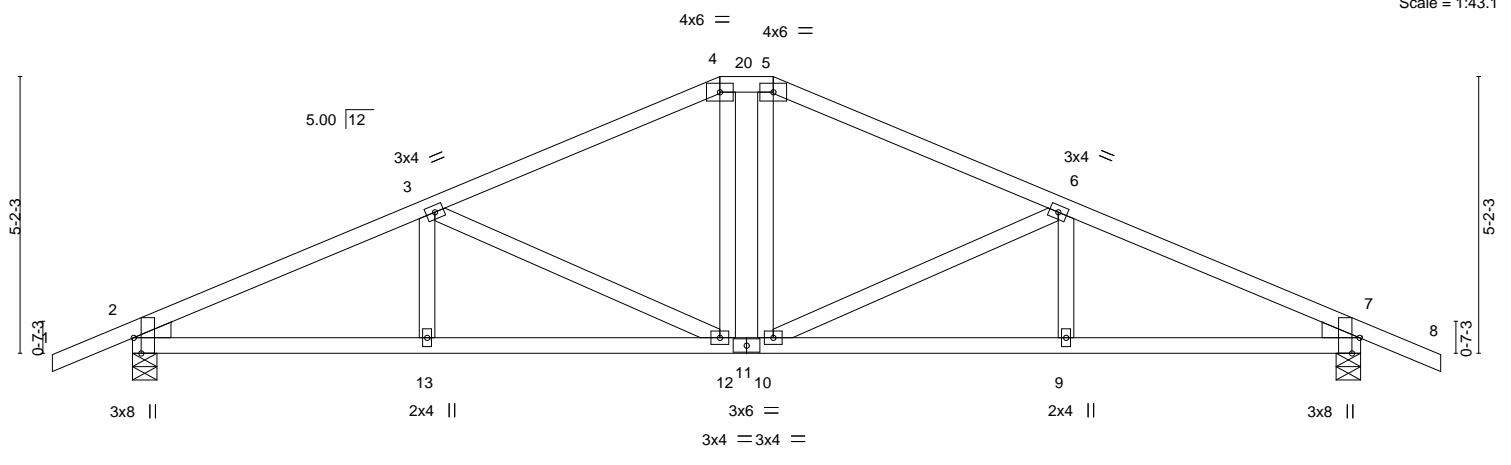
Philip J. O'Regan PE No.58126
 MiTek USA, Inc. FL Cert 6634
 6904 Parke East Blvd. Tampa FL 33610
 Date:

August 4, 2020

Job 2380539	Truss T34	Truss Type Hip	Qty 1	Ply 1	AMIRA BLDRS. - NICEWONGER RES. T20922685
Builders FirstSource, Jacksonville, FL - 32244,					8.240 s Mar 9 2020 MiTek Industries, Inc. Tue Aug 4 13:02:35 2020 Page 1
ID:aWWYZLKSHCowoxc8cTlVEVyrGuq-aFUaYkaWr0rvSWerdsLGs?tZwkoAtSuiz5tLjYyrDV2					Job Reference (optional)



Scale = 1:43.1



	5-6-3	11-0-0	12-0-0	17-5-13	23-0-0
	5-6-3	5-5-13	1-0-0	5-5-13	5-6-3
Plate Offsets (X,Y)--	[2:0-0-1,0-0-2], [2:0-0-2,0-5-14], [2:0-3-8,Edge], [7:0-0-1,0-0-2], [7:0-0-2,0-5-14], [7:0-3-8,Edge]				

LOADING (psf)	SPACING-	2-0-0	CSI.	DEFL.	in (loc)	l/defl	L/d	PLATES	GRIP
TCLL 20.0	Plate Grip DOL	1.25	TC 0.35	Vert(LL)	-0.08 9-10	>999	240	MT20	244/190
TCDL 7.0	Lumber DOL	1.25	BC 0.54	Vert(CT)	-0.16 9-10	>999	180		
BCLL 0.0 *	Rep Stress Incr	YES	WB 0.34	Horz(CT)	0.05 7	n/a	n/a		
BCDL 10.0	Code FBC2017/TPI2014		Matrix-MS					Weight: 116 lb	FT = 20%

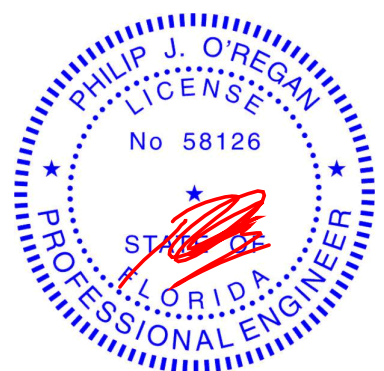
LUMBER-
TOP CHORD 2x4 SP No.2
BOT CHORD 2x4 SP No.2
WEBS 2x4 SP No.3
WEDGE
Left: 2x4 SP No.3, Right: 2x4 SP No.3

BRACING-
TOP CHORD Structural wood sheathing directly applied or 4-5-4 oc purlins.
BOT CHORD Rigid ceiling directly applied or 7-3-1 oc bracing.

REACTIONS. (size) 2=0-5-8, 7=0-5-8
Max Horz 2=110(LC 12)
Max Uplift 2=-374(LC 12), 7=-374(LC 13)
Max Grav 2=932(LC 1), 7=932(LC 1)

FORCES. (lb) - Max. Comp./Max. Ten. - All forces 250 (lb) or less except when shown.
TOP CHORD 2-3=-1558/824, 3-4=-1151/654, 4-5=-1015/657, 5-6=-1151/654, 6-7=-1558/824
BOT CHORD 2-13=-642/1387, 12-13=-642/1387, 10-12=-381/1015, 9-10=-655/1387, 7-9=-655/1387
WEBS 3-12=-462/306, 4-12=-114/264, 5-10=-114/264, 6-10=-462/306

- NOTES-**
- Unbalanced roof live loads have been considered for this design.
 - Wind: ASCE 7-10; Vult=130mph (3-second gust) Vasd=101mph; TCCL=4.2psf; BCCL=3.0psf; h=18ft; Cat. II; Exp C; Encl., GCpi=0.18; MWFRS (envelope) gable end zone and C-C Exterior(2) zone; C-C for members and forces & MWFRS for reactions shown; Lumber DOL=1.60 plate grip DOL=1.60
 - Provide adequate drainage to prevent water ponding.
 - This truss has been designed for a 10.0 psf bottom chord live load nonconcurrent with any other live loads.
 - * This truss has been designed for a live load of 20.0psf on the bottom chord in all areas where a rectangle 3-6-0 tall by 2-0-0 wide will fit between the bottom chord and any other members.
 - Provide mechanical connection (by others) of truss to bearing plate capable of withstanding 100 lb uplift at joint(s) except (jt=lb) 2=374, 7=374.



Philip J. O'Regan PE No.58126
MiTek USA, Inc. FL Cert 6634
6904 Parke East Blvd. Tampa FL 33610
Date:

August 4, 2020

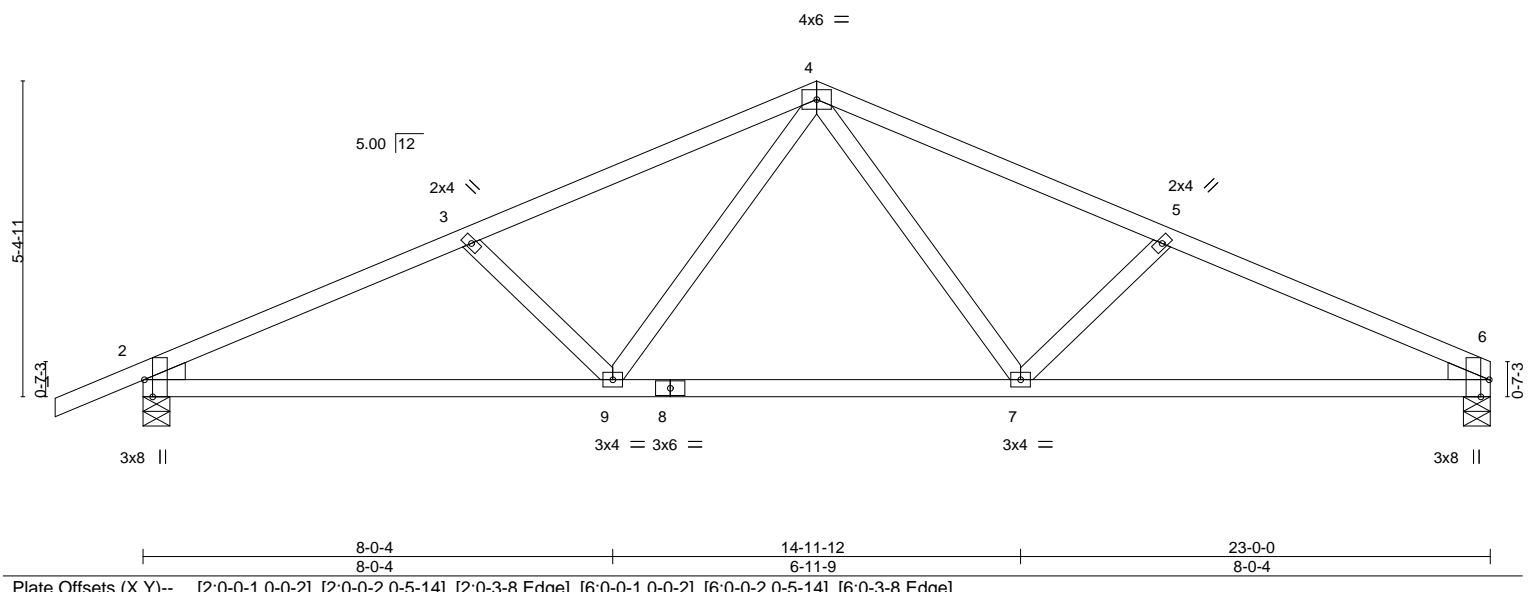
Job 2380539	Truss T35	Truss Type Common	Qty 6	Ply 1	AMIRA BLDRS. - NICEWONGER RES. T20922686
----------------	--------------	----------------------	----------	----------	---

Builders FirstSource, Jacksonville, FL - 32244,

8.240 s Mar 9 2020 MiTek Industries, Inc. Tue Aug 4 13:02:36 2020 Page 1
ID:aWWYZLKSHCowoxc8cTlvEVyrGuq-3R2yI4a8cJzm3gD1AatVPCQjB887cyorBlvFzrDV1



Scale = 1:39.3



LOADING (psf)	SPACING-	2-0-0	CSI.	DEFL.	in (loc)	l/defl	L/d	PLATES	GRIP
TCLL 20.0	Plate Grip DOL	1.25	TC 0.44	Vert(LL)	-0.10	7-9	>999	MT20	244/190
TCDL 7.0	Lumber DOL	1.25	BC 0.56	Vert(CT)	-0.18	7-9	>999		
BCLL 0.0 *	Rep Stress Incr	YES	WB 0.17	Horz(CT)	0.04	6	n/a		
BCDL 10.0	Code FBC2017/TPI2014		Matrix-MS						
								Weight: 104 lb	FT = 20%

LUMBER-
TOP CHORD 2x4 SP No.2
BOT CHORD 2x4 SP No.2
WEBS 2x4 SP No.3
WEDGE
Left: 2x4 SP No.3, Right: 2x4 SP No.3

BRACING-
TOP CHORD Structural wood sheathing directly applied or 4-3-8 oc purlins.
BOT CHORD Rigid ceiling directly applied or 6-10-12 oc bracing.

REACTIONS. (size) 2=0-5-8, 6=0-5-8
Max Horz 2=127(LC 12)
Max Uplift 2=-373(LC 12), 6=-321(LC 13)
Max Grav 2=935(LC 1), 6=848(LC 1)

FORCES. (lb) - Max. Comp./Max. Ten. - All forces 250 (lb) or less except when shown.
TOP CHORD 2-3=-1559/864, 3-4=-1355/774, 4-5=-1365/781, 5-6=-1573/874
BOT CHORD 2-9=-720/1391, 7-9=-405/965, 6-7=-731/1406
WEBS 4-7=-205/442, 5-7=-315/301, 4-9=-193/428, 3-9=-306/295

- NOTES-**
- Unbalanced roof live loads have been considered for this design.
 - Wind: ASCE 7-10; Vult=130mph (3-second gust) Vasd=101mph; TCCL=4.2psf; BCDL=3.0psf; h=18ft; Cat. II; Exp C; Encl., GCpi=0.18; MWFRS (envelope) gable end zone and C-C Exterior(2) zone; C-C for members and forces & MWFRS for reactions shown; Lumber DOL=1.60 plate grip DOL=1.60
 - This truss has been designed for a 10.0 psf bottom chord live load nonconcurrent with any other live loads.
 - * This truss has been designed for a live load of 20.0psf on the bottom chord in all areas where a rectangle 3-6-0 tall by 2-0-0 wide will fit between the bottom chord and any other members.
 - Provide mechanical connection (by others) of truss to bearing plate capable of withstanding 100 lb uplift at joint(s) except (it=lb) 2=373, 6=321.



Philip J. O'Regan PE No.58126
MiTek USA, Inc. FL Cert 6634
6904 Parke East Blvd. Tampa FL 33610
Date:

August 4, 2020

WARNING - Verify design parameters and READ NOTES ON THIS AND INCLUDED MITEK REFERENCE PAGE MII-7473 rev. 5/19/2020 BEFORE USE.

Design valid for use only with MiTek® connectors. This design is based only upon parameters shown, and is for an individual building component, not a truss system. Before use, the building designer must verify the applicability of design parameters and properly incorporate this design into the overall building design. Bracing indicated is to prevent buckling of individual truss web and/or chord members only. Additional temporary and permanent bracing is always required for stability and to prevent collapse with possible personal injury and property damage. For general guidance regarding the fabrication, storage, delivery, erection and bracing of trusses and truss systems, see **ANSI/TPI1 Quality Criteria, DSB-89 and BCSI Building Component Safety Information** available from Truss Plate Institute, 2670 Crain Highway, Suite 203 Waldorf, MD 20601

6904 Parke East Blvd.
Tampa, FL 36610

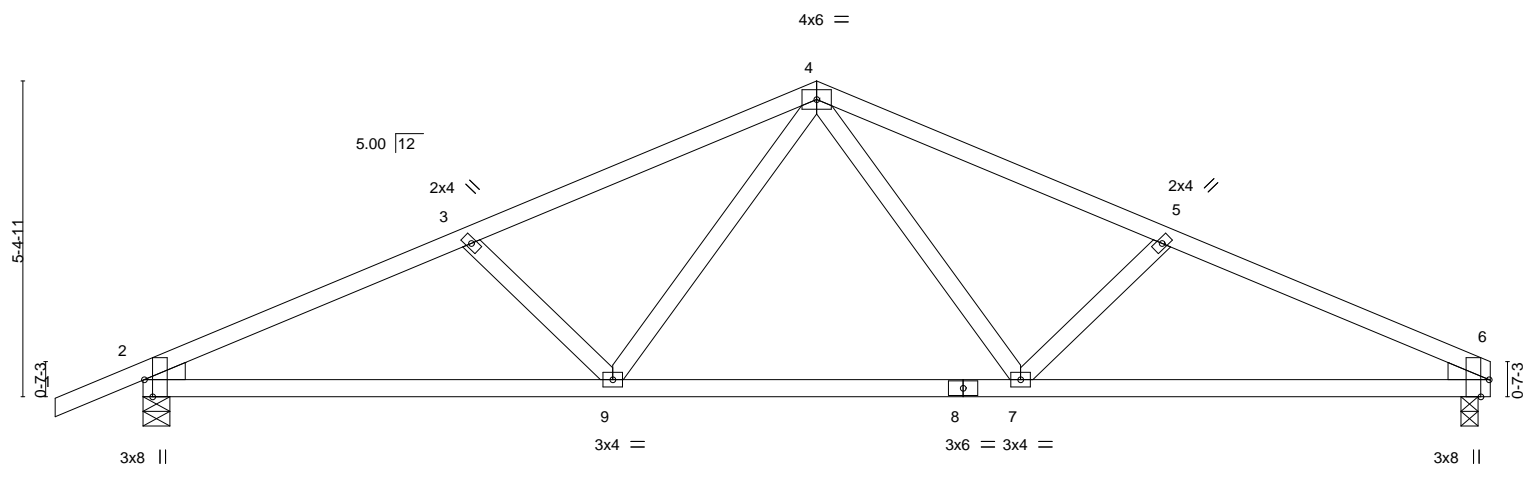
Job 2380539	Truss T36	Truss Type Common	Qty 3	Ply 1	AMIRA BLDRS. - NICEWONGER RES. T20922687
----------------	--------------	----------------------	----------	----------	---

Builders FirstSource, Jacksonville, FL - 32244,

8.240 s Mar 9 2020 MiTek Industries, Inc. Tue Aug 4 13:02:36 2020 Page 1
ID:aWWYZLKSHCowoxc8cTlvEVyrGuq-3R2yI4a8cJzm3gD1AatVPCQjB887cyorBlvFzrDV1



Scale = 1:39.3



	8-0-4	14-11-12	22-9-8	23-0-0
	8-0-4	6-11-9	7-9-12	0-2-8
Plate Offsets (X,Y)--	[2:0-0-1,0-0-2], [2:0-0-2,0-5-14], [2:0-3-8,Edge], [6:0-0-1,0-0-2], [6:0-0-2,0-5-14], [6:0-3-8,Edge]			

LOADING (psf)	SPACING-	2-0-0	CSI.	DEFL.	in (loc)	l/defl	L/d	PLATES	GRIP
TCLL 20.0	Plate Grip DOL	1.25	TC 0.44	Vert(LL)	-0.10	7-9	>999	MT20	244/190
TCDL 7.0	Lumber DOL	1.25	BC 0.56	Vert(CT)	-0.18	7-9	>999		
BCLL 0.0 *	Rep Stress Incr	YES	WB 0.17	Horz(CT)	0.04	6	n/a		
BCDL 10.0	Code FBC2017/TPI2014		Matrix-MS						
								Weight: 104 lb	FT = 20%

LUMBER-
TOP CHORD 2x4 SP No.2
BOT CHORD 2x4 SP No.2
WEBS 2x4 SP No.3
WEDGE
Left: 2x4 SP No.3, Right: 2x4 SP No.3

BRACING-
TOP CHORD Structural wood sheathing directly applied or 4-3-8 oc purlins.
BOT CHORD Rigid ceiling directly applied or 6-10-12 oc bracing.

REACTIONS. (size) 2=0-5-8, 6=0-3-8
Max Horz 2=127(LC 12)
Max Uplift 2=-373(LC 12), 6=-321(LC 13)
Max Grav 2=935(LC 1), 6=848(LC 1)

FORCES. (lb) - Max. Comp./Max. Ten. - All forces 250 (lb) or less except when shown.
TOP CHORD 2-3=-1559/864, 3-4=-1355/774, 4-5=-1365/781, 5-6=-1573/874
BOT CHORD 2-9=-720/1391, 7-9=-405/965, 6-7=-731/1406
WEBS 4-7=-205/442, 5-7=-315/301, 4-9=-193/428, 3-9=-306/295

- NOTES-**
- Unbalanced roof live loads have been considered for this design.
 - Wind: ASCE 7-10; Vult=130mph (3-second gust) Vasd=101mph; TCCL=4.2psf; BCDL=3.0psf; h=18ft; Cat. II; Exp C; Encl., GCpi=0.18; MWFRS (envelope) gable end zone and C-C Exterior(2) zone; C-C for members and forces & MWFRS for reactions shown; Lumber DOL=1.60 plate grip DOL=1.60
 - This truss has been designed for a 10.0 psf bottom chord live load nonconcurrent with any other live loads.
 - * This truss has been designed for a live load of 20.0psf on the bottom chord in all areas where a rectangle 3-6-0 tall by 2-0-0 wide will fit between the bottom chord and any other members.
 - Provide mechanical connection (by others) of truss to bearing plate capable of withstanding 100 lb uplift at joint(s) except (jt=lb) 2=373, 6=321.



Philip J. O'Regan PE No.58126
MiTek USA, Inc. FL Cert 6634
6904 Parke East Blvd. Tampa FL 33610
Date:

August 4, 2020

Job 2380539	Truss T37	Truss Type Half Hip Girder	Qty 1	Ply 1	AMIRA BLDRS. - NICEWONGER RES. T20922688
----------------	--------------	-------------------------------	----------	----------	---

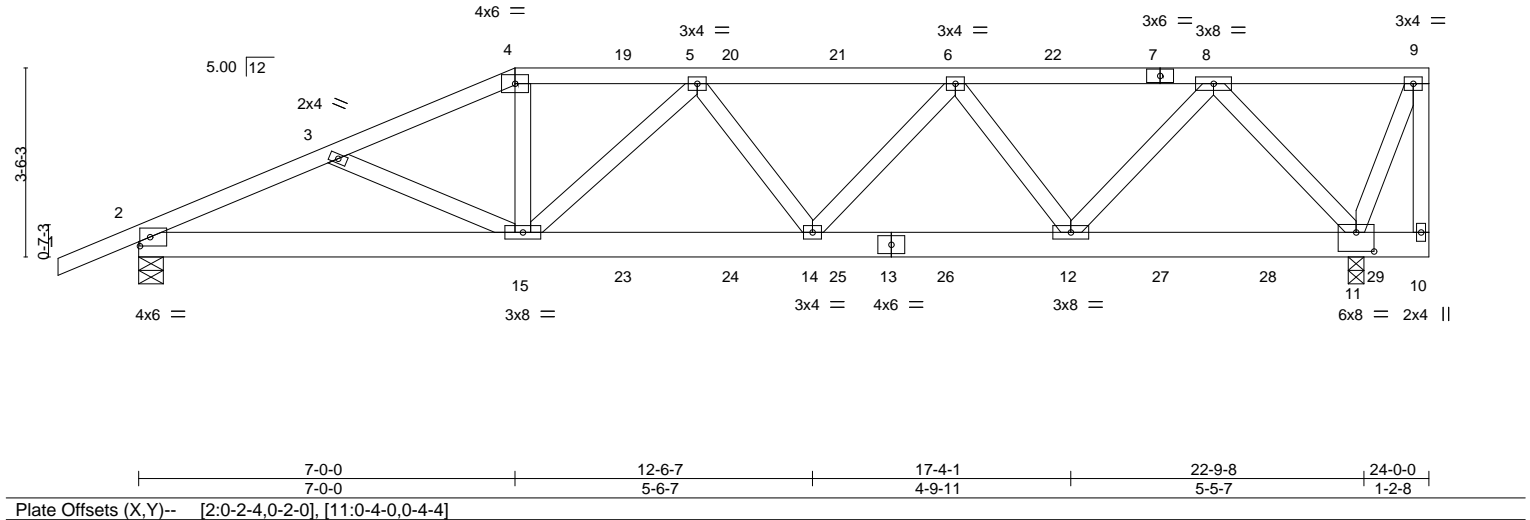
Builders FirstSource, Jacksonville, FL - 32244,

8.240 s Mar 9 2020 MiTek Industries, Inc. Tue Aug 4 13:02:38 2020 Page 1

ID:aWWYZLKSHCwoxc8cTlVrGuq-?q9jAmcP8xDTJ_NQI?vzUdV_KxmJ4jN8f36?JsyrDV?



Scale = 1:42.9



LOADING (psf)	SPACING-	CSI.	DEFL.	PLATES	GRIP
TCLL 20.0	2-0-0	TC 0.72	in (loc) l/def L/d	MT20	244/190
TCDL 7.0	Plate Grip DOL 1.25	BC 0.77	Vert(LL) 0.18 14-15 >999 240		
BCLL 0.0 *	Lumber DOL 1.25	WB 0.74	Vert(CT) -0.25 14-15 >999 180		
BCDL 10.0	Rep Stress Incr NO	Matrix-MS	Horz(CT) 0.06 11 n/a n/a		
	Code FBC2017/TPI2014			Weight: 147 lb	FT = 20%

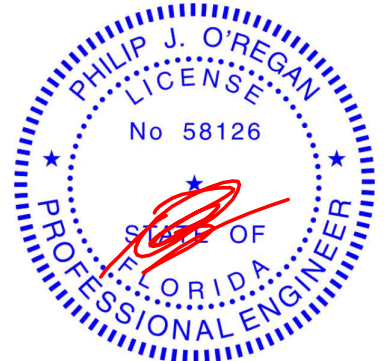
LUMBER-	BRACING-
TOP CHORD 2x4 SP No.2	TOP CHORD Structural wood sheathing directly applied or 2-7-15 oc purlins, except end verticals.
BOT CHORD 2x6 SP No.2	BOT CHORD Rigid ceiling directly applied or 5-7-2 oc bracing.
WEBS 2x4 SP No.3	

REACTIONS. (size) 2=0-5-8, 11=0-3-8
 Max Horz 2=169(LC 8)
 Max Uplift 2=-808(LC 8), 11=-1155(LC 4)
 Max Grav 2=1626(LC 1), 11=2140(LC 1)

FORCES. (lb) - Max. Comp./Max. Ten. - All forces 250 (lb) or less except when shown.
 TOP CHORD 2-3=-3217/1616, 3-4=-3092/1545, 4-5=-2874/1477, 5-6=-3278/1650, 6-8=-2397/1203
 BOT CHORD 2-15=-1572/2906, 14-15=-1718/3301, 12-14=-1561/3001, 11-12=-736/1400
 WEBS 4-15=-357/856, 5-15=-646/383, 6-14=-179/467, 6-12=-1071/643, 8-12=-736/1545, 8-11=-2075/1113

- NOTES-**
- Unbalanced roof live loads have been considered for this design.
 - Wind: ASCE 7-10; Vult=130mph (3-second gust) Vasd=101mph; TC DL=4.2psf; BCDL=3.0psf; h=18ft; Cat. II; Exp C; Encl., GCpi=0.18; MWFRS (envelope) gable end zone; Lumber DOL=1.60 plate grip DOL=1.60
 - Provide adequate drainage to prevent water ponding.
 - This truss has been designed for a 10.0 psf bottom chord live load nonconcurrent with any other live loads.
 - * This truss has been designed for a live load of 20.0psf on the bottom chord in all areas where a rectangle 3-6-0 tall by 2-0-0 wide will fit between the bottom chord and any other members.
 - Provide mechanical connection (by others) of truss to bearing plate capable of withstanding 100 lb uplift at joint(s) except (jt=lb) 2=808, 11=1155.
 - Hanger(s) or other connection device(s) shall be provided sufficient to support concentrated load(s) 127 lb down and 123 lb up at 7-0-0, 109 lb down and 123 lb up at 9-0-12, 109 lb down and 123 lb up at 11-0-12, 109 lb down and 123 lb up at 13-0-12, 109 lb down and 117 lb up at 15-0-12, and 109 lb down and 123 lb up at 17-0-12, and 126 lb down and 129 lb up at 19-0-12 on top chord, and 314 lb down and 182 lb up at 7-0-0, 84 lb down and 30 lb up at 9-0-12, 84 lb down and 30 lb up at 11-0-12, 84 lb down and 30 lb up at 13-0-12, 84 lb down and 30 lb up at 15-0-12, 84 lb down and 30 lb up at 17-0-12, 96 lb down and 29 lb up at 19-0-12, and 290 lb down and 193 lb up at 21-0-12, and 136 lb down and 130 lb up at 23-0-12 on bottom chord. The design/selection of such connection device(s) is the responsibility of others.
 - In the LOAD CASE(S) section, loads applied to the face of the truss are noted as front (F) or back (B).

LOAD CASE(S) Standard
 1) Dead + Roof Live (balanced): Lumber Increase=1.25, Plate Increase=1.25
 Uniform Loads (plf)
 Vert: 1-4=-54, 4-9=-54, 10-16=-20



Philip J. O'Regan PE No.58126
 MiTek USA, Inc. FL Cert 6634
 6904 Parke East Blvd. Tampa FL 33610
 Date:

August 4, 2020

Job 2380539	Truss T37	Truss Type Half Hip Girder	Qty 1	Ply 1	AMIRA BLDRS. - NICEWONGER RES. T20922688 Job Reference (optional)
----------------	--------------	-------------------------------	----------	----------	---

Builders FirstSource, Jacksonville, FL - 32244,

8.240 s Mar 9 2020 MiTek Industries, Inc. Tue Aug 4 13:02:38 2020 Page 2
ID:aWWYZLKSHCowoxc8cTlVrGuq-?q9jAmcP8xDTJ_NQI?vzUdV_KxmJ4jN8f36?JsyrDV?

LOAD CASE(S) Standard

Concentrated Loads (lb)

Vert: 4=-109(B) 7=-126(B) 15=-314(B) 6=-109(B) 12=-65(B) 19=-109(B) 20=-109(B) 21=-109(B) 22=-109(B) 23=-65(B) 24=-65(B) 25=-65(B) 26=-65(B) 27=-75(B)
28=-290(B) 29=-136(B)

WARNING - Verify design parameters and READ NOTES ON THIS AND INCLUDED MITEK REFERENCE PAGE MII-7473 rev. 5/19/2020 BEFORE USE.

Design valid for use only with MiTek® connectors. This design is based only upon parameters shown, and is for an individual building component, not a truss system. Before use, the building designer must verify the applicability of design parameters and properly incorporate this design into the overall building design. Bracing indicated is to prevent buckling of individual truss web and/or chord members only. Additional temporary and permanent bracing is always required for stability and to prevent collapse with possible personal injury and property damage. For general guidance regarding the fabrication, storage, delivery, erection and bracing of trusses and truss systems, see **ANSI/TPI1 Quality Criteria, DSB-89 and BCSI Building Component Safety Information** available from Truss Plate Institute, 2670 Crain Highway, Suite 203 Waldorf, MD 20601



6904 Parke East Blvd.
Tampa, FL 36610

Job 2380539	Truss T38	Truss Type Half Hip	Qty 1	Ply 1	AMIRA BLDRS. - NICEWONGER RES. Job Reference (optional)	T20922689
----------------	--------------	------------------------	----------	----------	--	-----------

Builders FirstSource, Jacksonville, FL - 32244,

8.240 s Mar 9 2020 MiTek Industries, Inc. Tue Aug 4 13:02:38 2020 Page 1

ID:aWWYZLKSHCowoxc8cTlVvYrGuq-?q9jAmcP8xDTJ_NQI?vzUdV1Bxn24oE8f36?JsyrDV?



Scale = 1:41.2

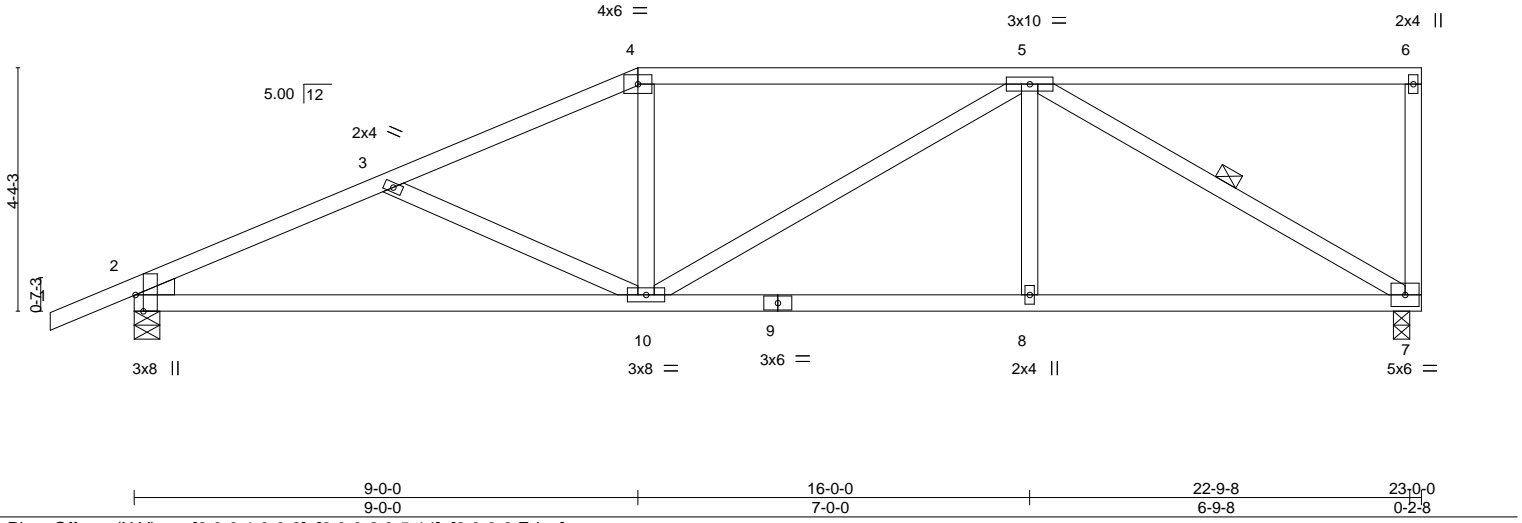


Plate Offsets (X,Y)--	[2:0-0-1,0-0-2], [2:0-0-2,0-5-14], [2:0-3-8,Edge]				
LOADING (psf)	SPACING- 2-0-0	CSI.	DEFL. in (loc) l/defl L/d	PLATES	GRIP
TCLL 20.0	Plate Grip DOL 1.25	TC 0.54	Vert(LL) -0.11 10-13 >999 240	MT20	244/190
TCDL 7.0	Lumber DOL 1.25	BC 0.66	Vert(CT) -0.23 10-13 >999 180		
BCLL 0.0 *	Rep Stress Incr YES	WB 0.43	Horz(CT) 0.04 7 n/a n/a		
BCDL 10.0	Code FBC2017/TPI2014	Matrix-MS			
				Weight: 120 lb	FT = 20%

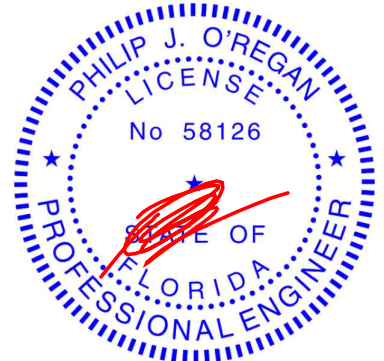
LUMBER-
 TOP CHORD 2x4 SP No.2
 BOT CHORD 2x4 SP No.2
 WEBS 2x4 SP No.3
 WEDGE
 Left: 2x4 SP No.3

BRACING-
 TOP CHORD Structural wood sheathing directly applied or 4-6-3 oc purlins, except end verticals.
 BOT CHORD Rigid ceiling directly applied or 6-4-6 oc bracing.
 WEBS 1 Row at midpt 5-7

REACTIONS. (size) 7=0-3-8, 2=0-5-8
 Max Horz 2=209(LC 12)
 Max Uplift 7=-378(LC 8), 2=-404(LC 12)
 Max Grav 7=843(LC 1), 2=929(LC 1)

FORCES. (lb) - Max. Comp./Max. Ten. - All forces 250 (lb) or less except when shown.
 TOP CHORD 2-3=-1540/784, 3-4=-1305/634, 4-5=-1171/632
 BOT CHORD 2-10=-852/1376, 8-10=-565/1082, 7-8=-565/1082
 WEBS 4-10=-11/294, 5-8=0/284, 5-7=-1226/642

- NOTES-**
- 1) Unbalanced roof live loads have been considered for this design.
 - 2) Wind: ASCE 7-10; Vult=130mph (3-second gust) Vasd=101mph; TCCL=4.2psf; BCDL=3.0psf; h=18ft; Cat. II; Exp C; Encl., GCpi=0.18; MWFRS (envelope) gable end zone and C-C Exterior(2) zone; C-C for members and forces & MWFRS for reactions shown; Lumber DOL=1.60 plate grip DOL=1.60
 - 3) Provide adequate drainage to prevent water ponding.
 - 4) This truss has been designed for a 10.0 psf bottom chord live load nonconcurrent with any other live loads.
 - 5) * This truss has been designed for a live load of 20.0psf on the bottom chord in all areas where a rectangle 3-6-0 tall by 2-0-0 wide will fit between the bottom chord and any other members.
 - 6) Provide mechanical connection (by others) of truss to bearing plate capable of withstanding 100 lb uplift at joint(s) except (jt=lb) 7=378, 2=404.



Philip J. O'Regan PE No.58126
 MiTek USA, Inc. FL Cert 6634
 6904 Parke East Blvd. Tampa FL 33610
 Date:

August 4,2020

WARNING - Verify design parameters and READ NOTES ON THIS AND INCLUDED MITEK REFERENCE PAGE MII-7473 rev. 5/19/2020 BEFORE USE.
 Design valid for use only with MiTek® connectors. This design is based only upon parameters shown, and is for an individual building component, not a truss system. Before use, the building designer must verify the applicability of design parameters and properly incorporate this design into the overall building design. Bracing indicated is to prevent buckling of individual truss web and/or chord members only. Additional temporary and permanent bracing is always required for stability and to prevent collapse with possible personal injury and property damage. For general guidance regarding the fabrication, storage, delivery, erection and bracing of trusses and truss systems, see **ANSI/TPI1 Quality Criteria, DSB-89 and BCSI Building Component Safety Information** available from Truss Plate Institute, 2670 Crain Highway, Suite 203 Waldorf, MD 20601

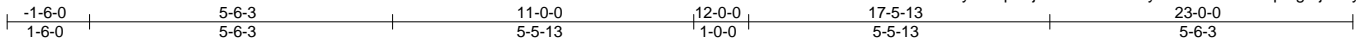


Job 2380539	Truss T39	Truss Type Hip	Qty 1	Ply 1	AMIRA BLDRS. - NICEWONGER RES. T20922690
----------------	--------------	-------------------	----------	----------	---

Builders FirstSource, Jacksonville, FL - 32244,

8.240 s Mar 9 2020 MiTek Industries, Inc. Tue Aug 4 13:02:39 2020 Page 1

ID:aWWYZLKSHCwoxoc8cTivEVyrGuq-T0j5O6d1vELKw8ycsiQC0r2FuL93pGglujrZslyrDV_



Scale = 1:41.9

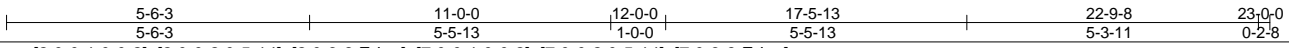
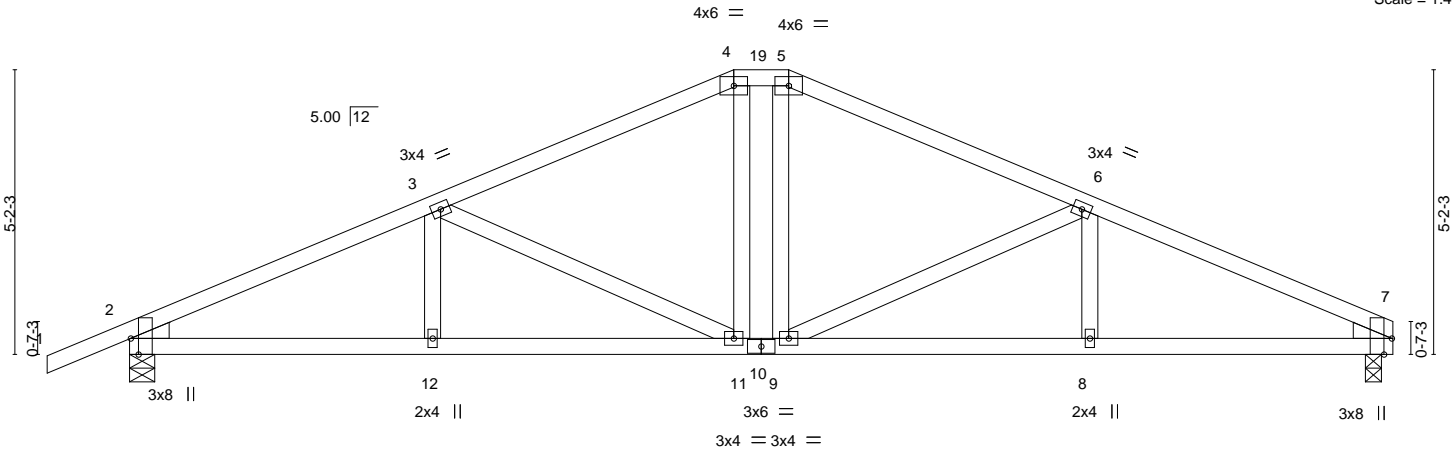


Plate Offsets (X,Y)--	[2:0-0-1,0-0-2], [2:0-0-2,0-5-14], [2:0-3-8,Edge], [7:0-0-1,0-0-2], [7:0-0-2,0-5-14], [7:0-3-8,Edge]
-----------------------	--

LOADING (psf)	SPACING-	2-0-0	CSI.	DEFL.	in (loc)	l/defl	L/d	PLATES	GRIP
TCLL 20.0	Plate Grip DOL	1.25	TC 0.35	Vert(LL)	-0.08 11-12	>999	240	MT20	244/190
TCDL 7.0	Lumber DOL	1.25	BC 0.54	Vert(CT)	-0.16 11-12	>999	180		
BCLL 0.0 *	Rep Stress Incr	YES	WB 0.35	Horz(CT)	0.05 7	n/a	n/a		
BCDL 10.0	Code FBC2017/TPI2014		Matrix-MS					Weight: 114 lb	FT = 20%

LUMBER-
TOP CHORD 2x4 SP No.2
BOT CHORD 2x4 SP No.2
WEBS 2x4 SP No.3
WEDGE
Left: 2x4 SP No.3, Right: 2x4 SP No.3

BRACING-
TOP CHORD Structural wood sheathing directly applied or 4-5-2 oc purlins.
BOT CHORD Rigid ceiling directly applied or 7-0-6 oc bracing.

REACTIONS. (size) 2=0-5-8, 7=0-3-8
Max Horz 2=123(LC 12)
Max Uplift 2=-374(LC 12), 7=-322(LC 13)
Max Grav 2=935(LC 1), 7=848(LC 1)

FORCES. (lb) - Max. Comp./Max. Ten. - All forces 250 (lb) or less except when shown.
TOP CHORD 2-3=-1564/832, 3-4=-1157/663, 4-5=-1021/665, 5-6=-1158/664, 6-7=-1581/845
BOT CHORD 2-12=-692/1393, 11-12=-692/1393, 9-11=-418/1021, 8-9=-705/1411, 7-8=-705/1411
WEBS 3-11=-462/306, 4-11=-116/265, 5-9=-119/265, 6-9=-482/320

- NOTES-**
- 1) Unbalanced roof live loads have been considered for this design.
 - 2) Wind: ASCE 7-10; Vult=130mph (3-second gust) Vasd=101mph; TCCL=4.2psf; BCDL=3.0psf; h=18ft; Cat. II; Exp C; Encl., GCpi=0.18; MWFRS (envelope) gable end zone and C-C Exterior(2) zone; C-C for members and forces & MWFRS for reactions shown; Lumber DOL=1.60 plate grip DOL=1.60
 - 3) Provide adequate drainage to prevent water ponding.
 - 4) This truss has been designed for a 10.0 psf bottom chord live load nonconcurrent with any other live loads.
 - 5) * This truss has been designed for a live load of 20.0psf on the bottom chord in all areas where a rectangle 3-6-0 tall by 2-0-0 wide will fit between the bottom chord and any other members.
 - 6) Provide mechanical connection (by others) of truss to bearing plate capable of withstanding 100 lb uplift at joint(s) except (jt=lb) 2=374, 7=322.



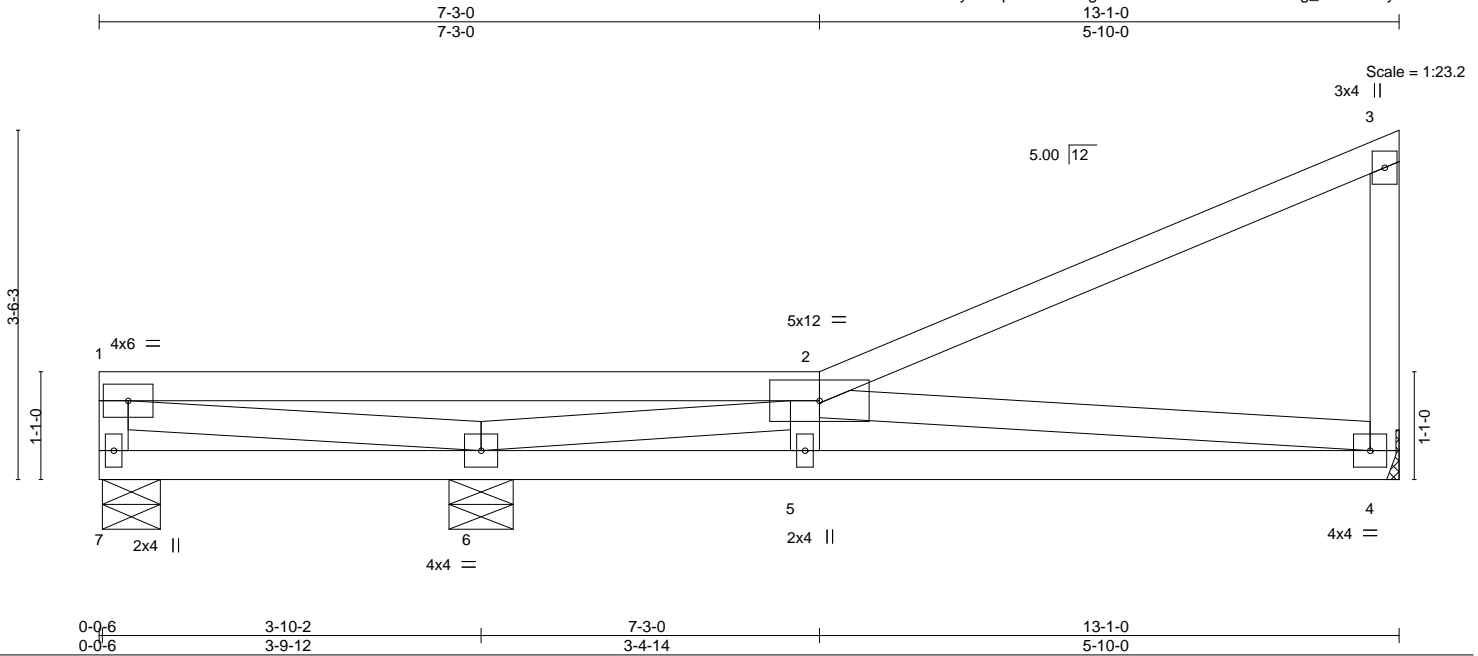
Philip J. O'Regan PE No.58126
MiTek USA, Inc. FL Cert 6634
6904 Parke East Blvd. Tampa FL 33610
Date:

August 4,2020

Job 2380539	Truss T40	Truss Type Roof Special	Qty 1	Ply 1	AMIRA BLDRS. - NICEWONGER RES. Job Reference (optional)	T20922691
----------------	--------------	----------------------------	----------	----------	--	-----------

Builders FirstSource, Jacksonville, FL - 32244,

8.240 s Mar 9 2020 MiTek Industries, Inc. Tue Aug 4 13:02:40 2020 Page 1
ID:aWWYZLKSHCwoxoc8cTlVrGuq-xCHTbSdfgYTBIXoPPxRZ2bMQIXaYg_R6Nb6NlyrDUz



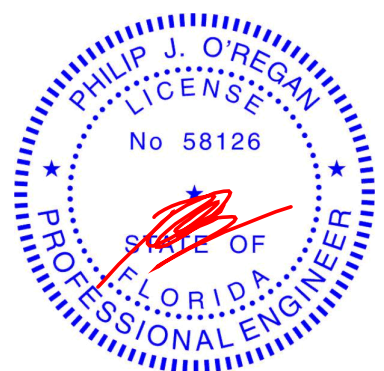
LOADING (psf)	SPACING-	2-0-0	CSI.	DEFL.	in (loc)	I/defl	L/d	PLATES	GRIP	
TCLL 20.0	Plate Grip DOL	1.25	TC 0.62	Vert(LL)	0.06	4-5	>999	240	MT20	244/190
TCDL 7.0	Lumber DOL	1.25	BC 0.40	Vert(CT)	-0.11	4-5	>999	180		
BCLL 0.0 *	Rep Stress Incr	YES	WB 0.54	Horz(CT)	0.01	4	n/a	n/a		
BCDL 10.0	Code FBC2017/TPI2014		Matrix-MS							
									Weight: 64 lb	FT = 20%

LUMBER-	BRACING-
TOP CHORD 2x4 SP No.2	TOP CHORD Structural wood sheathing directly applied or 6-0-0 oc purlins, except end verticals.
BOT CHORD 2x4 SP No.2	BOT CHORD Rigid ceiling directly applied or 7-11-2 oc bracing.
WEBS 2x4 SP No.3	

REACTIONS. (size) 7=0-7-0, 4=Mechanical, 6=0-7-12
 Max Horz 7=115(LC 12)
 Max Uplift 7=-58(LC 8), 4=-173(LC 12), 6=-221(LC 12)
 Max Grav 7=73(LC 1), 4=310(LC 1), 6=564(LC 1)


FORCES. (lb) - Max. Comp./Max. Ten. - All forces 250 (lb) or less except when shown.
 TOP CHORD 1-2=-306/460
 BOT CHORD 6-7=-274/178, 5-6=-528/843, 4-5=-540/834
 WEBS 1-6=-653/452, 2-6=-1338/715, 2-4=-807/520

- NOTES-**
- 1) Wind: ASCE 7-10; Vult=130mph (3-second gust) Vasd=101mph; TCDL=4.2psf; BCDL=3.0psf; h=18ft; Cat. II; Exp C; Encl., GCpi=0.18; MWFRS (envelope) gable end zone and C-C Exterior(2) zone; C-C for members and forces & MWFRS for reactions shown; Lumber DOL=1.60 plate grip DOL=1.60
 - 2) Provide adequate drainage to prevent water ponding.
 - 3) This truss has been designed for a 10.0 psf bottom chord live load nonconcurrent with any other live loads.
 - 4) * This truss has been designed for a live load of 20.0psf on the bottom chord in all areas where a rectangle 3-6-0 tall by 2-0-0 wide will fit between the bottom chord and any other members.
 - 5) Refer to girder(s) for truss to truss connections.
 - 6) Provide mechanical connection (by others) of truss to bearing plate capable of withstanding 100 lb uplift at joint(s) 7 except (jt=lb) 4=173, 6=221.



Philip J. O'Regan PE No.58126
 MiTek USA, Inc. FL Cert 6634
 6904 Parke East Blvd. Tampa FL 33610
 Date:

August 4, 2020

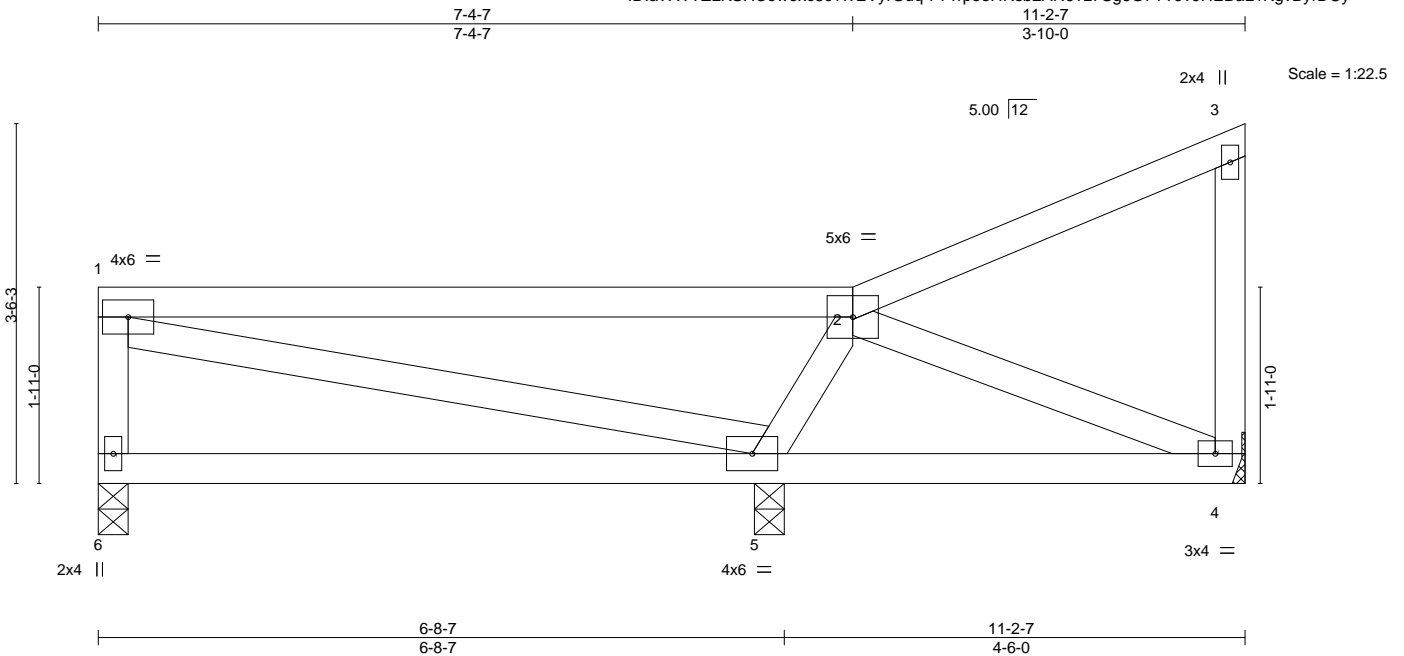
<p>WARNING - Verify design parameters and READ NOTES ON THIS AND INCLUDED MITEK REFERENCE PAGE MII-7473 rev. 5/19/2020 BEFORE USE.</p> <p>Design valid for use only with MiTek® connectors. This design is based only upon parameters shown, and is for an individual building component, not a truss system. Before use, the building designer must verify the applicability of design parameters and properly incorporate this design into the overall building design. Bracing indicated is to prevent buckling of individual truss web and/or chord members only. Additional temporary and permanent bracing is always required for stability and to prevent collapse with possible personal injury and property damage. For general guidance regarding the fabrication, storage, delivery, erection and bracing of trusses and truss systems, see ANSI/TPI1 Quality Criteria, DSB-89 and BCSI Building Component Safety Information available from Truss Plate Institute, 2670 Crain Highway, Suite 203 Waldorf, MD 20601</p>	 <p>6904 Parke East Blvd. Tampa, FL 36610</p>
--	--

Job 2380539	Truss T41	Truss Type Roof Special	Qty 1	Ply 1	AMIRA BLDRS. - NICEWONGER RES. Job Reference (optional)	T20922692
----------------	--------------	----------------------------	----------	----------	--	-----------

Builders FirstSource, Jacksonville, FL - 32244,

8.240 s Mar 9 2020 MiTek Industries, Inc. Tue Aug 4 13:02:41 2020 Page 1

ID:aWWYZLKSHCowoxc8cTlVEVyrGuq-PPrrpoeHRsb2AR6?z7Sg6G7Y?9v9HEBaL1KgvByrDUy



LOADING (psf)	SPACING-	2-0-0	CSI.	DEFL.	in	(loc)	I/defl	L/d	PLATES	GRIP
TCLL 20.0	Plate Grip DOL	1.25	TC 0.57	Vert(LL)	-0.04	5-6	>999	240	MT20	244/190
TCDL 7.0	Lumber DOL	1.25	BC 0.31	Vert(CT)	-0.08	5-6	>933	180		
BCLL 0.0 *	Rep Stress Incr	YES	WB 0.09	Horz(CT)	-0.00	4	n/a	n/a		
BCDL 10.0	Code FBC2017/TPI2014		Matrix-MS						Weight: 58 lb	FT = 20%

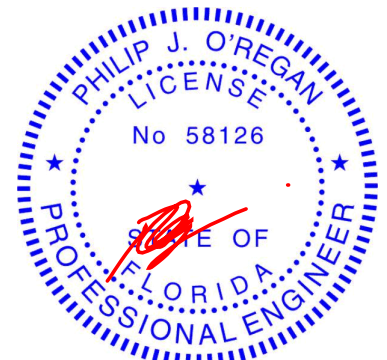
LUMBER-
 TOP CHORD 2x4 SP No.2
 BOT CHORD 2x4 SP No.2
 WEBS 2x4 SP No.3

BRACING-
 TOP CHORD Structural wood sheathing directly applied or 6-0-0 oc purlins, except end verticals.
 BOT CHORD Rigid ceiling directly applied or 10-0-0 oc bracing.

REACTIONS. (size) 6=0-3-8, 5=0-3-8, 4=Mechanical
 Max Horz 6=74(LC 12)
 Max Uplift 6=-110(LC 8), 5=-154(LC 12), 4=-112(LC 12)
 Max Grav 6=228(LC 1), 5=425(LC 1), 4=154(LC 1)

FORCES. (lb) - Max. Comp./Max. Ten. - All forces 250 (lb) or less except when shown.
 WEBS 2-5=-302/251

- NOTES-**
- 1) Wind: ASCE 7-10; Vult=130mph (3-second gust) Vasd=101mph; TCDL=4.2psf; BCDL=3.0psf; h=18ft; Cat. II; Exp C; Encl., GCpi=0.18; MWFRS (envelope) gable end zone and C-C Exterior(2) zone; C-C for members and forces & MWFRS for reactions shown; Lumber DOL=1.60 plate grip DOL=1.60
 - 2) Provide adequate drainage to prevent water ponding.
 - 3) This truss has been designed for a 10.0 psf bottom chord live load nonconcurrent with any other live loads.
 - 4) * This truss has been designed for a live load of 20.0psf on the bottom chord in all areas where a rectangle 3-6-0 tall by 2-0-0 wide will fit between the bottom chord and any other members.
 - 5) Refer to girder(s) for truss to truss connections.
 - 6) Provide mechanical connection (by others) of truss to bearing plate capable of withstanding 100 lb uplift at joint(s) except (jt=lb) 6=110, 5=154, 4=112.



Philip J. O'Regan PE No.58126
 MiTek USA, Inc. FL Cert 6634
 6904 Parke East Blvd. Tampa FL 33610
 Date:

August 4, 2020

WARNING - Verify design parameters and READ NOTES ON THIS AND INCLUDED MITEK REFERENCE PAGE MII-7473 rev. 5/19/2020 BEFORE USE.

Design valid for use only with MiTek® connectors. This design is based only upon parameters shown, and is for an individual building component, not a truss system. Before use, the building designer must verify the applicability of design parameters and properly incorporate this design into the overall building design. Bracing indicated is to prevent buckling of individual truss web and/or chord members only. Additional temporary and permanent bracing is always required for stability and to prevent collapse with possible personal injury and property damage. For general guidance regarding the fabrication, storage, delivery, erection and bracing of trusses and truss systems, see **ANSI/TPI1 Quality Criteria, DSB-89 and BCSI Building Component Safety Information** available from Truss Plate Institute, 2670 Crain Highway, Suite 203 Waldorf, MD 20601

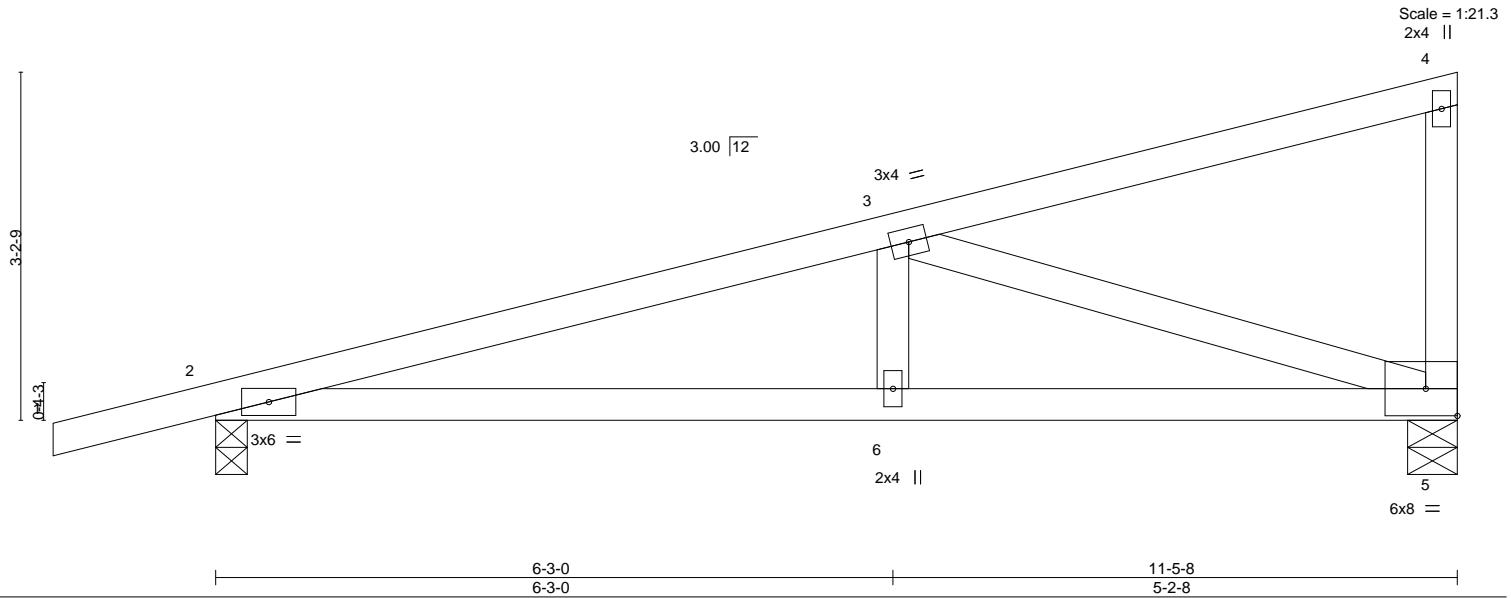


6904 Parke East Blvd.
 Tampa, FL 36610

Job 2380539	Truss T42	Truss Type Monopitch	Qty 2	Ply 1	AMIRA BLDRS. - NICEWONGER RES. T20922693
----------------	--------------	-------------------------	----------	----------	---

Builders FirstSource, Jacksonville, FL - 32244,

8.240 s Mar 9 2020 MiTek Industries, Inc. Tue Aug 4 13:02:41 2020 Page 1
ID:aWWYZLKSHCowoxc8cTlvEVyrGuq-PPrrpoeHRsb2AR6?z7Sg6G7Z09trH8GaL1KgvByrDUy



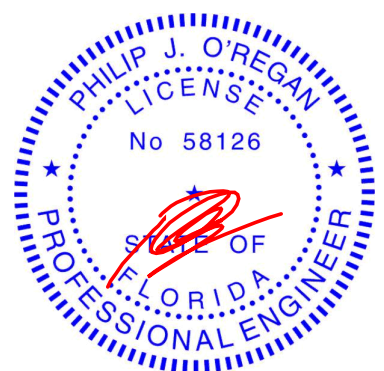
LOADING (psf)	SPACING-	2-0-0	CSI.	DEFL.	in	(loc)	I/defl	L/d	PLATES	GRIP
TCLL 20.0	Plate Grip DOL	1.25	TC 0.50	Vert(LL)	0.13	6-9	>999	240	MT20	244/190
TCDL 7.0	Lumber DOL	1.25	BC 0.39	Vert(CT)	0.11	6-9	>999	180		
BCLL 0.0 *	Rep Stress Incr	YES	WB 0.47	Horz(CT)	-0.02	5	n/a	n/a		
BCDL 10.0	Code FBC2017/TPI2014		Matrix-MS						Weight: 50 lb	FT = 20%

LUMBER-	BRACING-
TOP CHORD 2x4 SP No.2	TOP CHORD Structural wood sheathing directly applied or 5-9-11 oc purlins, except end verticals.
BOT CHORD 2x4 SP No.2	BOT CHORD Rigid ceiling directly applied or 4-7-11 oc bracing.
WEBS 2x4 SP No.3	

REACTIONS. (size) 2=0-3-8, 5=0-5-8
 Max Horz 2=162(LC 8)
 Max Uplift 2=-397(LC 8), 5=-337(LC 8)
 Max Grav 2=505(LC 1), 5=413(LC 1)

FORCES. (lb) - Max. Comp./Max. Ten. - All forces 250 (lb) or less except when shown.
 TOP CHORD 2-3=-894/1238
 BOT CHORD 2-6=-1324/847, 5-6=-1324/847
 WEBS 3-6=-373/249, 3-5=-869/1359

- NOTES-**
- 1) Wind: ASCE 7-10; Vult=130mph (3-second gust) Vasd=101mph; TC DL=4.2psf; BCDL=3.0psf; h=18ft; Cat. II; Exp C; Encl., GCpi=0.18; MWFRS (envelope) gable end zone and C-C Exterior(2) zone; porch left and right exposed; C-C for members and forces & MWFRS for reactions shown; Lumber DOL=1.60 plate grip DOL=1.60
 - 2) This truss has been designed for a 10.0 psf bottom chord live load nonconcurrent with any other live loads.
 - 3) * This truss has been designed for a live load of 20.0psf on the bottom chord in all areas where a rectangle 3-6-0 tall by 2-0-0 wide will fit between the bottom chord and any other members.
 - 4) Provide mechanical connection (by others) of truss to bearing plate capable of withstanding 100 lb uplift at joint(s) except (jt=lb) 2=397, 5=337.



Philip J. O'Regan PE No.58126
 MiTek USA, Inc. FL Cert 6634
 6904 Parke East Blvd. Tampa FL 33610
 Date:

August 4, 2020

Job 2380539	Truss T43	Truss Type Half Hip Girder	Qty 1	Ply 1	AMIRA BLDRS. - NICEWONGER RES. T20922694
----------------	--------------	-------------------------------	----------	----------	---

Builders FirstSource, Jacksonville, FL - 32244,

8.240 s Mar 9 2020 MiTek Industries, Inc. Tue Aug 4 13:02:42 2020 Page 1
ID:aWWYZLKSHCwoxoc8cTivEVyrGuq-tbPE07fvC9jvnbhBXq_veTgm7ZDf0ehkah4DRdyrDUx



Scale = 1:21.5

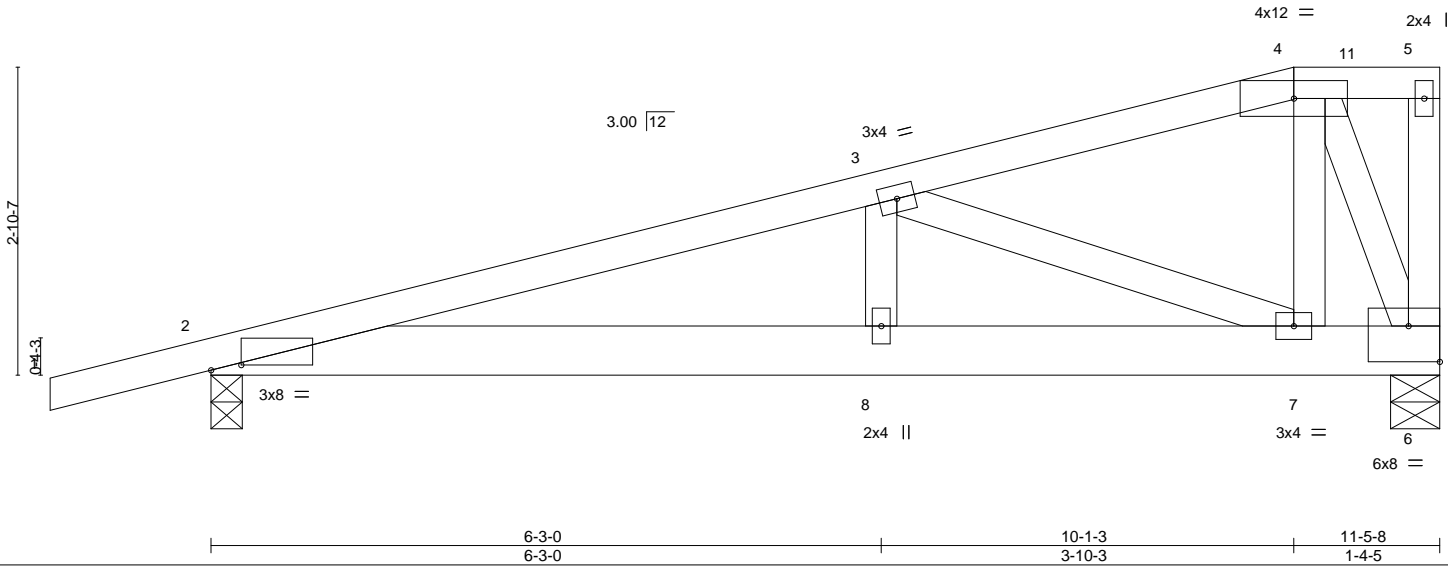


Plate Offsets (X,Y)--	[2:0-3-6,0-0-9], [6:Edge,0-4-0]
-----------------------	---------------------------------

LOADING (psf)	SPACING-	2-0-0	CSI.	DEFL.	in (loc)	l/defl	L/d	PLATES	GRIP
TCLL 20.0	Plate Grip DOL	1.25	TC 0.29	Vert(LL)	0.07 8-10	>999	240	MT20	244/190
TCDL 7.0	Lumber DOL	1.25	BC 0.42	Vert(CT)	-0.07 8-10	>999	180		
BCLL 0.0 *	Rep Stress Incr	NO	WB 0.27	Horz(CT)	-0.01 6	n/a	n/a		
BCDL 10.0	Code FBC2017/TPI2014		Matrix-MS					Weight: 64 lb	FT = 20%

LUMBER-	BRACING-
TOP CHORD 2x4 SP No.2	TOP CHORD Structural wood sheathing directly applied or 5-5-0 oc purlins, except end verticals.
BOT CHORD 2x6 SP No.2	BOT CHORD Rigid ceiling directly applied or 7-9-12 oc bracing.
WEBS 2x4 SP No.3	

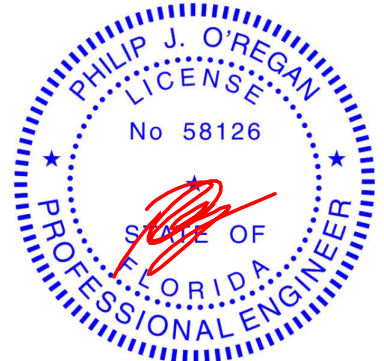
REACTIONS. (size) 2=0-3-8, 6=0-5-8
 Max Horz 2=148(LC 4)
 Max Uplift 2=-435(LC 4), 6=-647(LC 4)
 Max Grav 2=544(LC 1), 6=775(LC 1)

FORCES. (lb) - Max. Comp./Max. Ten. - All forces 250 (lb) or less except when shown.
 TOP CHORD 2-3=-1056/772, 3-4=-351/253
 BOT CHORD 2-8=-823/1005, 7-8=-823/1005, 6-7=-289/344
 WEBS 3-8=-142/251, 3-7=-743/602, 4-7=-477/568, 4-6=-760/638

- NOTES-**
- Unbalanced roof live loads have been considered for this design.
 - Wind: ASCE 7-10; Vult=130mph (3-second gust) Vasd=101mph; TCDL=4.2psf; BCDL=3.0psf; h=18ft; Cat. II; Exp C; Encl., GCpi=0.18; MWFRS (envelope) gable end zone; porch left and right exposed; Lumber DOL=1.60 plate grip DOL=1.60
 - Provide adequate drainage to prevent water ponding.
 - This truss has been designed for a 10.0 psf bottom chord live load nonconcurrent with any other live loads.
 - * This truss has been designed for a live load of 20.0psf on the bottom chord in all areas where a rectangle 3-6-0 tall by 2-0-0 wide will fit between the bottom chord and any other members.
 - Provide mechanical connection (by others) of truss to bearing plate capable of withstanding 100 lb uplift at joint(s) except (jt=lb) 2=435, 6=647.
 - Hanger(s) or other connection device(s) shall be provided sufficient to support concentrated load(s) 88 lb down and 101 lb up at 10-1-3 on top chord, and 331 lb down and 376 lb up at 10-1-3 on bottom chord. The design/selection of such connection device(s) is the responsibility of others.
 - In the LOAD CASE(S) section, loads applied to the face of the truss are noted as front (F) or back (B).

LOAD CASE(S) Standard

- Dead + Roof Live (balanced): Lumber Increase=1.25, Plate Increase=1.25
 Uniform Loads (plf)
 Vert: 1-4=-54, 4-5=-54, 2-6=-20
 Concentrated Loads (lb)
 Vert: 7=-331(F) 4=-69(F)



Philip J. O'Regan PE No.58126
 MiTek USA, Inc. FL Cert 6634
 6904 Parke East Blvd. Tampa FL 33610
 Date:

August 4, 2020

WARNING - Verify design parameters and READ NOTES ON THIS AND INCLUDED MITEK REFERENCE PAGE MII-7473 rev. 5/19/2020 BEFORE USE.
 Design valid for use only with MiTek® connectors. This design is based only upon parameters shown, and is for an individual building component, not a truss system. Before use, the building designer must verify the applicability of design parameters and properly incorporate this design into the overall building design. Bracing indicated is to prevent buckling of individual truss web and/or chord members only. Additional temporary and permanent bracing is always required for stability and to prevent collapse with possible personal injury and property damage. For general guidance regarding the fabrication, storage, delivery, erection and bracing of trusses and truss systems, see **ANSI/TPI1 Quality Criteria, DSB-89 and BCSI Building Component Safety Information** available from Truss Plate Institute, 2670 Crain Highway, Suite 203 Waldorf, MD 20601

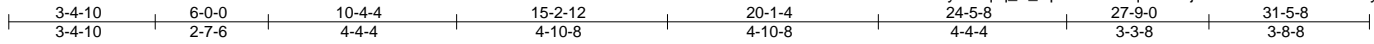


Job 2380539	Truss T44	Truss Type Hip Girder	Qty 1	Ply 1	AMIRA BLDRS. - NICEWONGER RES. T20922695
----------------	--------------	--------------------------	----------	----------	---

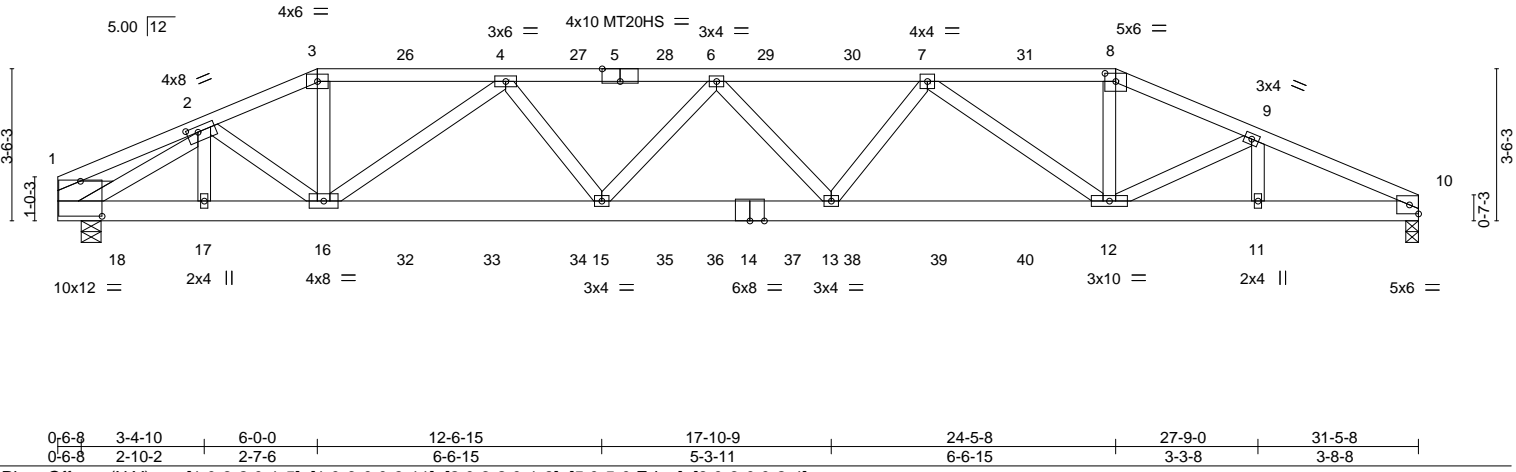
Builders FirstSource, Jacksonville, FL - 32244,

8.240 s Mar 9 2020 MiTek Industries, Inc. Tue Aug 4 13:02:44 2020 Page 1

ID:aWWYZLKSHCwoxc8cTivEVyrGuq-q_X_Rph9knzd1vqaeF0NjulxeM8UNG11?ZKWWYrDUv



Scale = 1:53.3



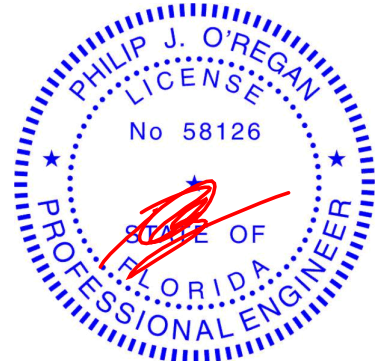
LOADING (psf)	SPACING-	2-0-0	CSI.	DEFL.	in (loc)	l/defl	L/d	PLATES	GRIP
TCLL 20.0	Plate Grip DOL	1.25	TC 0.99	Vert(LL)	0.56 13-15	>657	240	MT20	244/190
TCDL 7.0	Lumber DOL	1.25	BC 1.00	Vert(CT)	-0.54 13-15	>688	180	MT20HS	187/143
BCLL 0.0 *	Rep Stress Incr	NO	WB 0.97	Horz(CT)	-0.12 10	n/a	n/a		
BCDL 10.0	Code FBC2017/TPI2014		Matrix-MS						
								Weight: 189 lb	FT = 20%

LUMBER-	BRACING-
TOP CHORD 2x4 SP No.2	TOP CHORD Structural wood sheathing directly applied or 2-1-15 oc purlins.
BOT CHORD 2x6 SP No.2	BOT CHORD Rigid ceiling directly applied or 3-5-13 oc bracing.
WEBS 2x4 SP No.3	
SLIDER Left 2x6 SP No.2 1-3-5	

REACTIONS. (size) 10=0-3-8, 18=0-5-8
 Max Horz 18=-73(LC 28)
 Max Uplift 10=-1505(LC 5), 18=-1592(LC 4)
 Max Grav 10=1848(LC 1), 18=1961(LC 1)

FORCES. (lb) - Max. Comp./Max. Ten. - All forces 250 (lb) or less except when shown.
 TOP CHORD 1-2=-459/395, 2-3=-3163/2729, 3-4=-2947/2577, 4-6=-4813/4139, 6-7=-5012/4306,
 7-8=-3641/3154, 8-9=-3909/3340, 9-10=-3748/3094
 BOT CHORD 17-18=-1841/2216, 16-17=-1844/2219, 15-16=-3666/4373, 13-15=-4300/5131,
 12-13=-3967/4742, 11-12=-2805/3409, 10-11=-2805/3409
 WEBS 2-18=-2322/1934, 2-16=-757/910, 3-16=-830/918, 4-16=-1806/1483, 4-15=-660/778,
 6-15=-512/417, 7-13=-415/539, 7-12=-1415/1147, 8-12=-1003/1129, 9-12=-387/359,
 9-11=-274/279

- NOTES-**
- 1) Unbalanced roof live loads have been considered for this design.
 - 2) Wind: ASCE 7-10; Vult=130mph (3-second gust) Vasd=101mph; TCCL=4.2psf; BCDL=3.0psf; h=18ft; Cat. II; Exp C; Encl., GCpi=0.18; MWFRS (envelope) gable end zone; porch left and right exposed; Lumber DOL=1.60 plate grip DOL=1.60
 - 3) Provide adequate drainage to prevent water ponding.
 - 4) All plates are MT20 plates unless otherwise indicated.
 - 5) This truss has been designed for a 10.0 psf bottom chord live load nonconcurrent with any other live loads.
 - 6) * This truss has been designed for a live load of 20.0psf on the bottom chord in all areas where a rectangle 3-6-0 tall by 2-0-0 wide will fit between the bottom chord and any other members.
 - 7) Provide mechanical connection (by others) of truss to bearing plate capable of withstanding 100 lb uplift at joint(s) except (jt=lb) 10=1505, 18=1592.
 - 8) Hanger(s) or other connection device(s) shall be provided sufficient to support concentrated load(s) 94 lb down and 104 lb up at 6-0-0, 75 lb down and 104 lb up at 8-0-12, 75 lb down and 104 lb up at 10-0-12, 75 lb down and 104 lb up at 12-0-12, 75 lb down and 104 lb up at 14-0-12, 75 lb down and 94 lb up at 15-2-12, 75 lb down and 104 lb up at 16-4-12, 75 lb down and 104 lb up at 18-4-12, 75 lb down and 104 lb up at 20-4-12, and 75 lb down and 104 lb up at 22-4-12, and 174 lb down and 202 lb up at 24-5-8 on top chord, and 187 lb down and 262 lb up at 6-0-0, 63 lb down and 75 lb up at 8-0-12, 63 lb down and 75 lb up at 10-0-12, 63 lb down and 75 lb up at 12-0-12, 63 lb down and 75 lb up at 14-0-12, 63 lb down and 75 lb up at 15-2-12, 63 lb down and 75 lb up at 16-4-12, 63 lb down and 75 lb up at 18-4-12, 63 lb down and 75 lb up at 20-4-12, and 63 lb down and 75 lb up at 22-4-12, and 187 lb down and 262 lb up at 24-4-12 on bottom chord. The design/selection of such connection device(s) is the responsibility of others.
 - 9) In the LOAD CASE(S) section, loads applied to the face of the truss are noted as front (F) or back (B).




Philip J. O'Regan PE No.58126
 MiTek USA, Inc. FL Cert 6634
 6904 Parke East Blvd. Tampa FL 33610
 Date:

August 4, 2020

LOAD CASE(S) Standard
 Continued on page 2

WARNING - Verify design parameters and READ NOTES ON THIS AND INCLUDED MITEK REFERENCE PAGE MII-7473 rev. 5/19/2020 BEFORE USE.
 Design valid for use only with MiTek® connectors. This design is based only upon parameters shown, and is for an individual building component, not a truss system. Before use, the building designer must verify the applicability of design parameters and properly incorporate this design into the overall building design. Bracing indicated is to prevent buckling of individual truss web and/or chord members only. Additional temporary and permanent bracing is always required for stability and to prevent collapse with possible personal injury and property damage. For general guidance regarding the fabrication, storage, delivery, erection and bracing of trusses and truss systems, see **ANSI/TPI1 Quality Criteria, DSB-89 and BCSI Building Component Safety Information** available from Truss Plate Institute, 2670 Crain Highway, Suite 203 Waldorf, MD 20601



6904 Parke East Blvd.
 Tampa, FL 36610

Job 2380539	Truss T44	Truss Type Hip Girder	Qty 1	Ply 1	AMIRA BLDRS. - NICEWONGER RES. T20922695 Job Reference (optional)
----------------	--------------	--------------------------	----------	----------	---

Builders FirstSource, Jacksonville, FL - 32244,

8.240 s Mar 9 2020 MiTek Industries, Inc. Tue Aug 4 13:02:44 2020 Page 2
ID:aWWYZLKSHCwoxc8cTivEVyrGuq-q_X_Rph9knzd1vqaeF0NjulxeM8UNG11?ZKWWYrDUv

LOAD CASE(S) Standard

1) Dead + Roof Live (balanced): Lumber Increase=1.25, Plate Increase=1.25

Uniform Loads (plf)

Vert: 1-3=-54, 3-8=-54, 8-10=-54, 19-23=-20

Concentrated Loads (lb)

Vert: 3=-75(F) 8=-127(F) 16=-119(F) 4=-75(F) 6=-75(F) 7=-75(F) 12=-119(F) 26=-75(F) 27=-75(F) 28=-75(F) 29=-75(F) 30=-75(F) 31=-75(F) 32=-40(F) 33=-40(F) 34=-40(F) 35=-40(F) 36=-40(F) 37=-40(F) 38=-40(F) 39=-40(F) 40=-40(F)

WARNING - Verify design parameters and READ NOTES ON THIS AND INCLUDED MITEK REFERENCE PAGE MII-7473 rev. 5/19/2020 BEFORE USE.

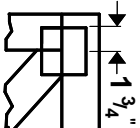
Design valid for use only with MiTek® connectors. This design is based only upon parameters shown, and is for an individual building component, not a truss system. Before use, the building designer must verify the applicability of design parameters and properly incorporate this design into the overall building design. Bracing indicated is to prevent buckling of individual truss web and/or chord members only. Additional temporary and permanent bracing is always required for stability and to prevent collapse with possible personal injury and property damage. For general guidance regarding the fabrication, storage, delivery, erection and bracing of trusses and truss systems, see **ANSI/TPI1 Quality Criteria, DSB-89 and BCSI Building Component Safety Information** available from Truss Plate Institute, 2670 Crain Highway, Suite 203 Waldorf, MD 20601



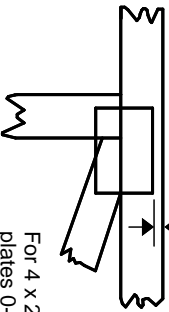
6904 Parke East Blvd.
Tampa, FL 36610

Symbols

PLATE LOCATION AND ORIENTATION



Center plate on joint unless x, y offsets are indicated. Dimensions are in ft-in-sixteenths. Apply plates to both sides of truss and fully embed teeth.



For 4 x 2 orientation, locate plates 0- 1/16" from outside edge of truss.



This symbol indicates the required direction of slots in connector plates.

* Plate location details available in **MITek 20/20 software** or upon request.

PLATE SIZE

4 X 4

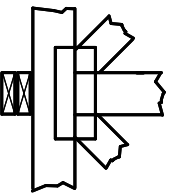
The first dimension is the plate width measured perpendicular to slots. Second dimension is the length parallel to slots.

LATERAL BRACING LOCATION



Indicated by symbol shown and/or by text in the bracing section of the output. Use T or I bracing if indicated.

BEARING



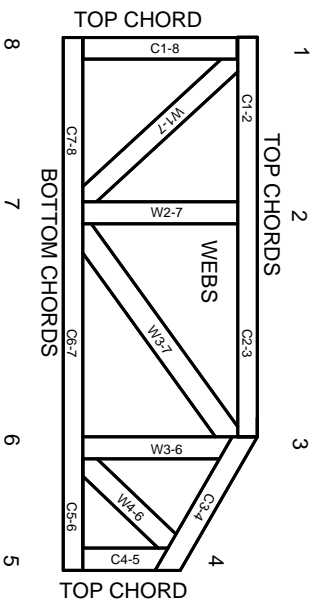
Indicates location where bearings (supports) occur. Icons vary but reaction section indicates joint number where bearings occur. Min size shown is for crushing only.

Industry Standards:

ANSI/TP1: National Design Specification for Metal Plate Connected Wood Truss Construction.
DSB-89: Design Standard for Bracing, Building Component Safety Information, Guide to Good Practice for Handling, Installing & Bracing of Metal Plate Connected Wood Trusses.

Numbering System

6-4-8 dimensions shown in ft-in-sixteenths (Drawings not to scale)



JOINTS ARE GENERALLY NUMBERED/LETTERED CLOCKWISE AROUND THE TRUSS STARTING AT THE JOINT FARTHEST TO THE LEFT.

CHORDS AND WEBS ARE IDENTIFIED BY END JOINT NUMBERS/LETTERS.

PRODUCT CODE APPROVALS

ICC-ES Reports:

ESR-1311, ESR-1352, ESR1988
ER-3907, ESR-2362, ESR-1397, ESR-3282

Trusses are designed for wind loads in the plane of the truss unless otherwise shown.

Lumber design values are in accordance with ANSI/TP1 section 6.3 These truss designs rely on lumber values established by others.

© 2012 MITek® All Rights Reserved

General Safety Notes

Failure to Follow Could Cause Property Damage or Personal Injury

1. Additional stability bracing for truss system, e.g. diagonal or X-bracing, is always required. See BCSI.
2. Truss bracing must be designed by an engineer. For wide truss spacing, individual lateral braces themselves may require bracing, or alternative Tor I bracing should be considered.
3. Never exceed the design loading shown and never stack materials on inadequately braced trusses.
4. Provide copies of this truss design to the building designer, erection supervisor, property owner and all other interested parties.
5. Cut members to bear tightly against each other.
6. Place plates on each face of truss at each joint and embed fully. Knots and wane at joint locations are regulated by ANSI/TP1.
7. Design assumes trusses will be suitably protected from the environment in accord with ANSI/TP1.
8. Unless otherwise noted, moisture content of lumber shall not exceed 19% at time of fabrication.
9. Unless expressly noted, this design is not applicable for use with fire retardant, preservative treated, or green lumber.
10. Camber is a non-structural consideration and is the responsibility of truss fabricator. General practice is to camber for dead load deflection.
11. Plate type, size, orientation and location dimensions indicated are minimum plating requirements.
12. Lumber used shall be of the species and size, and in all respects, equal to or better than that specified.
13. Top chords must be sheathed or purlins provided at spacing indicated on design.
14. Bottom chords require lateral bracing at 10 ft. spacing, or less, if no ceiling is installed, unless otherwise noted.
15. Connections not shown are the responsibility of others.
16. Do not cut or alter truss member or plate without prior approval of an engineer.
17. Install and load vertically unless indicated otherwise.
18. Use of green or treated lumber may pose unacceptable environmental, health or performance risks. Consult with project engineer before use.
19. Review all portions of this design (front, back, words and pictures) before use. Reviewing pictures alone is not sufficient.
20. Design assumes manufacture in accordance with ANSI/TP1 Quality Criteria.
21. The design does not take into account any dynamic or other loads other than those expressly stated.



MITek Engineering Reference Sheet: Mill-7473 rev. 5/19/2020