

plastpro

5200 W. CENTURY BLVD.
LOS ANGELES, CA 90045

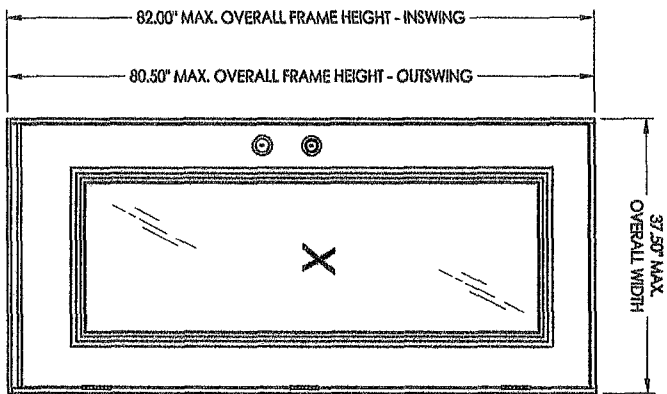
**Smooth / Wood Grain / White Wood Grain
Rustic / Mahogany
Series N Fiberglass Door
INSWING / OUTSWING
"NON-IMPACT"**

GENERAL NOTES

1. This product has been evaluated and is in compliance with the 2010 Florida Building Code (FBC) structural requirements excluding the "High Velocity Hurricane Zone" (HVHZ).
2. Product anchors shall be as listed and spaced as shown on details. Anchor embedment to base material shall be beyond wall dressing or stucco.
3. When used in areas requiring wind borne debris protection this product is required to be protected with an impact resistant covering that complies with Section 1609.1.2 of the FBC.
4. For 2x stud framing construction, anchoring of these units shall be the same as that shown for 2x buck masonry construction.
5. Site conditions that deviate from the details of this drawing require further engineering analysis by a licensed engineer or registered architect.

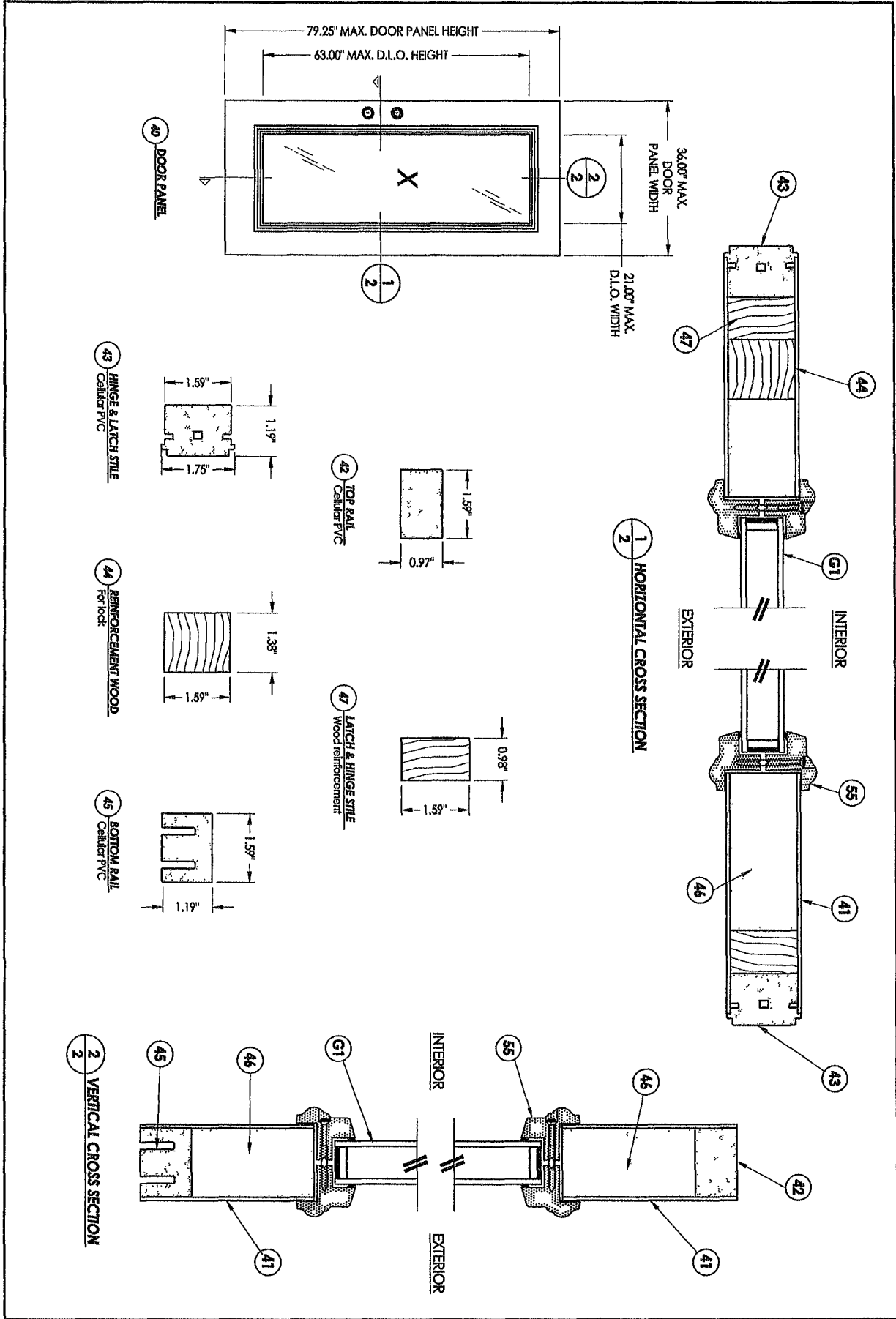
TABLE OF CONTENTS

SHEET #	DESCRIPTION
1	Typical elevation, design pressures, & general notes
2	Door panel details
3	Horizontal cross sections
4	Vertical cross sections
5	Buck and frame anchoring - 2x buck masonry construction
6	Frame anchoring - 1x buck masonry construction
7	Bill of Materials, glazing detail & components

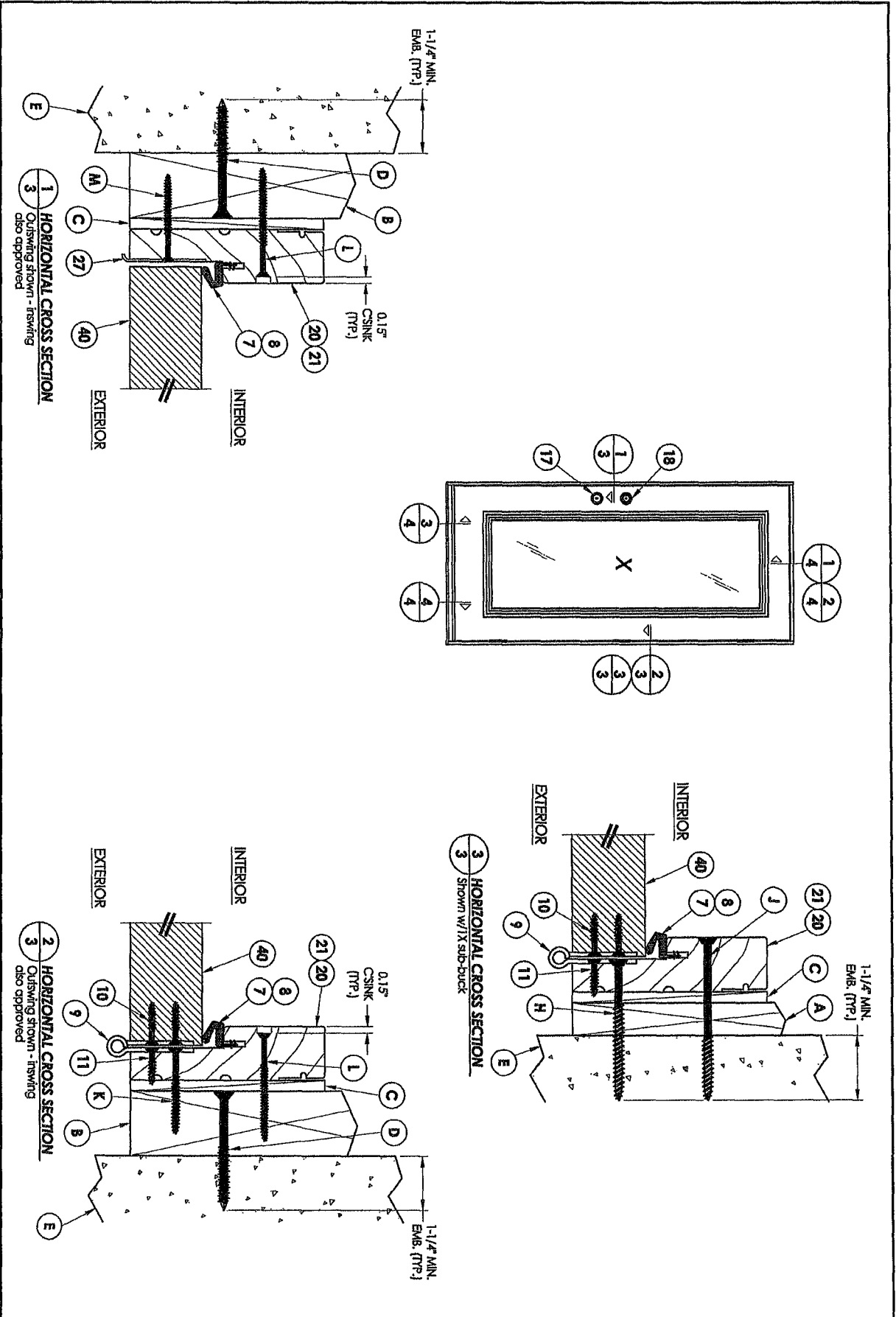


INSWING	OUTSWING	MAX. FRAME DIMENSION	GLASS TYPE	DESIGN PRESSURE (PSF)
INSWING	OUTSWING	37.50" x 82.00"	G1	+47.0 -50.0
		37.50" x 90.50"		+50.0 -50.0

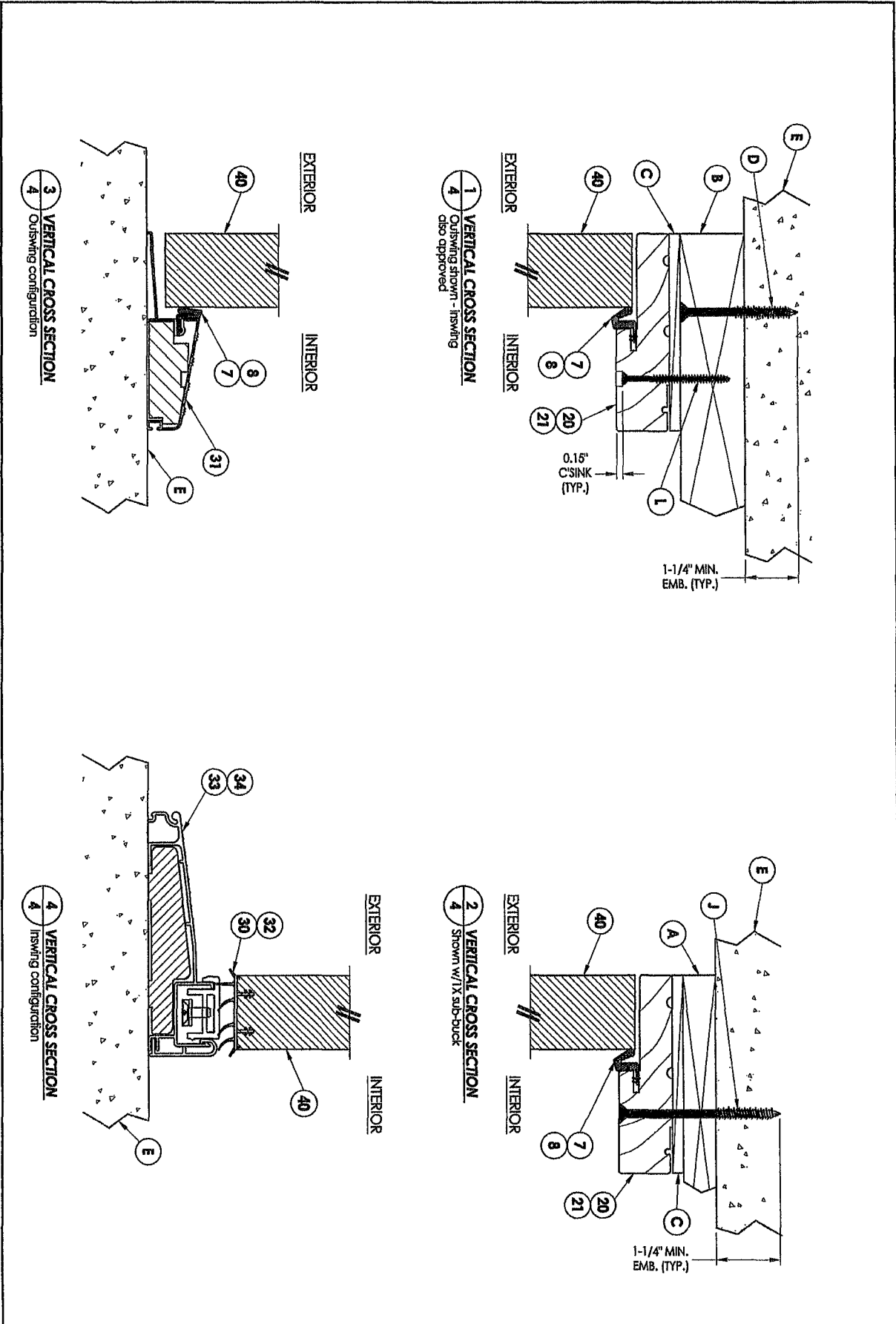
DATE: 02/15/12 SCALE: N.T.S. DWG. BR: JK CHK. BR: LFS DRAWING NO.: FL-15213.14 SHEET 1 OF 7	PRODUCT: PLASTPRO INC. FIBERGLASS DOOR	Documents Prepared By: <i>RW</i> BUILDING CONSULTANTS, INC. P.O. Box 230 Valrico FL 33595 Phone No.: 813.659.9197 Florida Board of Professional Engineers Certificate Of Authorization No. 9813 1782.0012 Lyndon F. Schmidt, P.E. No. 43409
	PART OR ASSEMBLY: TYPICAL ELEVATION, DESIGN PRESSURES & GENERAL NOTES	
NO.	DATE	BY
REVISIONS		



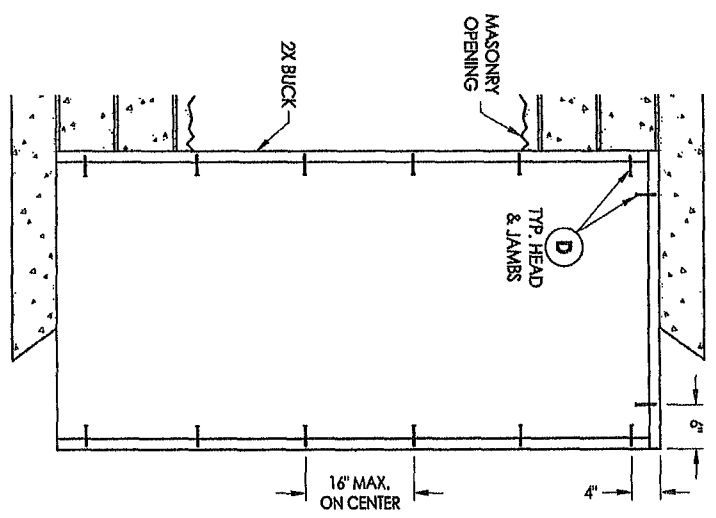
DATE: 02/16/12 SCALE: N.T.S. DWG. BY: JK CHK. BY: LFS DRAWING NO.: FL-15213.14 SHEET 2 OF 7		PRODUCT: PLASTPRO INC. FIBERGLASS DOOR PART OR ASSEMBLY: DOOR PANEL DETAILS	Documents Prepared By: RW BUILDING CONSULTANTS, INC. P.O. Box 230 Valrico FL 33595 Phone No.: 813.659.9197 Florida Board of Professional Engineers Certificate Of Authorization No. 9613 Lyndon F. Schmidt, P.E. No. 43409
NO. DATE REVISIONS		BY	2.1742



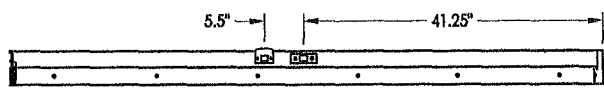
DATE: 02/18/12 SCALE: N.T.S. DWG. BY: JK CHK. BY: LFS DRAWING NO.: FL-15213.14 SHEET 3 OF 7		PRODUCT: PLASTPRO INC. FIBERGLASS DOOR PART OR ASSEMBLY: HORIZONTAL CROSS SECTIONS	Documents Prepared By: BUILDING CONSULTANTS, INC. P.O. Box 230 Valrico FL 33595 Phone No.: 813.659.9197 Florida Board of Professional Engineers Certificate Of Authorization No. 8813 Lyndon F. Schmidt, P.E. No. 43409
NO.	DATE	BY	REVISIONS



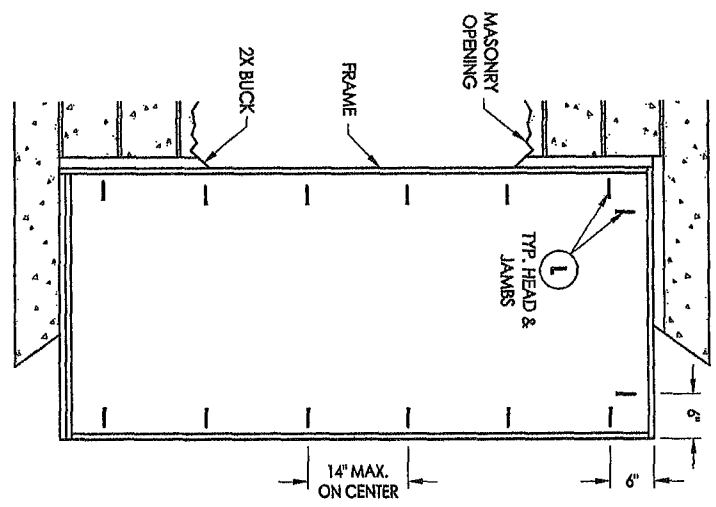
PRODUCT: PLASTPRO INC. FIBERGLASS DOOR		Documents Prepared By: <i>RW</i> BUILDING CONSULTANTS, INC. P.O. Box 230 Valrico FL 33595 Phone No.: 813.659.9197 Florida Board of Professional Engineers Certificate Of Authorization No. 9813 Lyndon F. Schmidt, P.E. No. 43409	
PART OR ASSEMBLY: VERTICAL CROSS SECTIONS		DATE: 02/16/12 SCALE: N.T.S. DWG. BY: JK CHK. BY: LJS DRAWING NO.: FL-15213.14	
NO.	DATE	BY	REVISIONS
SHEET 4 OF 7			



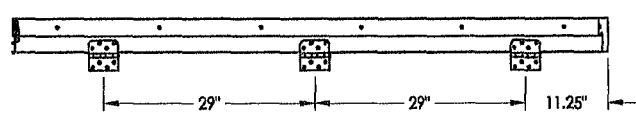
BUCK ANCHORING



STRIKE JAMB



FRAME ANCHORING
Masonry 2x buck construction

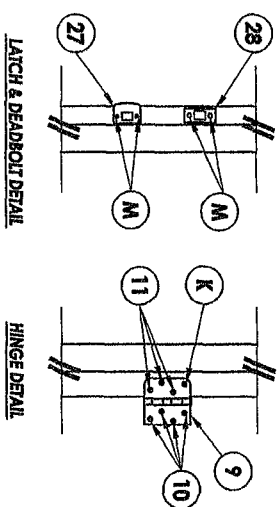


HINGE JAMB

CONCRETE ANCHOR NOTES:

1. Substitution of equal concrete anchors from a different supplier may have different edge distance and center distance requirements.
2. Concrete anchor locations of the corners may be adjusted to maintain the min. edge distance to mortar joints. If concrete anchor locations noted as "MAX. ON CENTER" must be adjusted to maintain the min. edge distance to mortar joints, additional concrete anchors may be required to ensure the "MAX. ON CENTER" dimensions are not exceeded.
3. Concrete anchor table:

ANCHOR TYPE	ANCHOR SIZE	MIN. EMBEDMENT	MIN. CLEARANCE TO MASONRY EDGE	MIN. CLEARANCE TO ADJACENT ANCHOR
ITW	1/4"	1-1/4"	2-1/2"	3"
ELCO	1/4"	1-1/4"	1"	4"



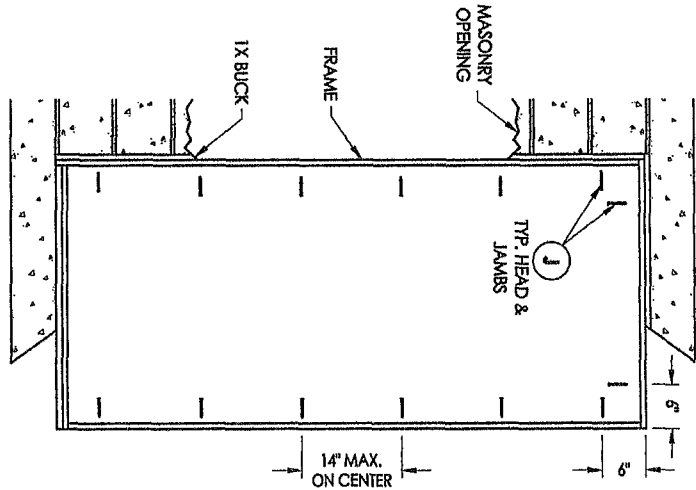
LATCH & DEADBOLT DETAIL

HINGE DETAIL

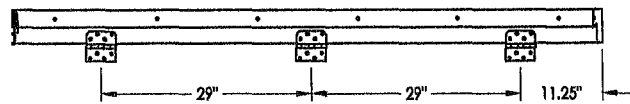
SHEET 5 OF 7 DRAWING NO.: FL-15213.14 DATE: 02/16/12 SCALE: N.T.S. CHK. BY: JKS DES. BY: LFS	PRODUCT: PLASTPRO INC. FIBERGLASS DOOR	Documents Prepared By: <i>RW</i> BUILDING CONSULTANTS, INC. P.O. Box 230 Valrico FL 33595 Phone No.: 813.659.9197 Florida Board of Professional Engineers Certificate Of Authorization No. 9813 Lyndon F Schmidt, P.E. No. 43409
	PART OR ASSEMBLY: BUCK AND FRAME ANCHORING 2X BUCK MASONRY CONSTRUCTION	
NO. DATE REVISIONS	BY	



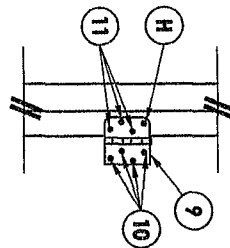
STRIKE JAMB



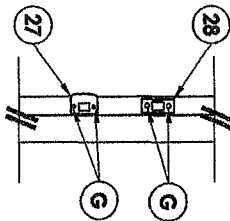
FRAME ANCHORING
Masonry 1x Buck construction



HINGE JAMB



HINGE DETAIL



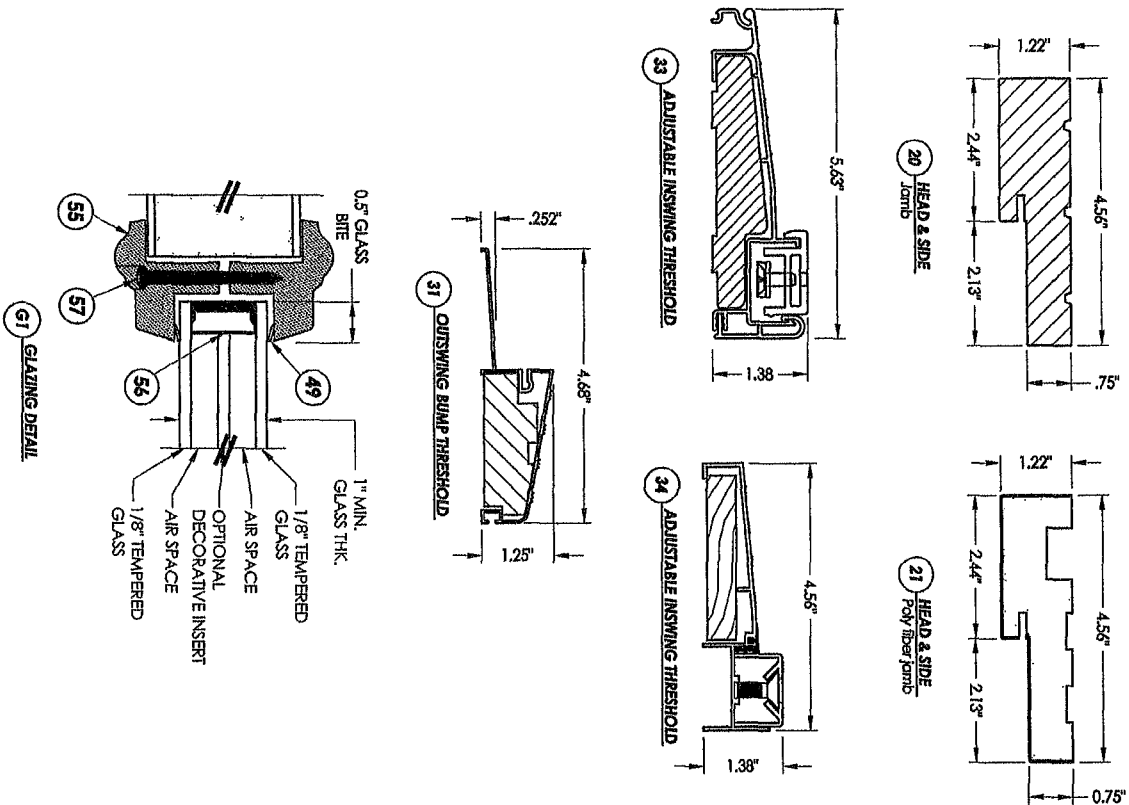
LATCH & DEADBOLT DETAIL

- CONCRETE ANCHOR NOTES:**
1. Substitution of equal concrete anchors from a different supplier may have different edge distance and center distance requirements.
 2. Concrete anchor locations at the corners may be adjusted to maintain the min. edge distance to mortar joints. If concrete anchor locations noted as "MAX. ON CENTER" must be adjusted to maintain the min. edge distance to mortar joints, additional concrete anchors may be required to ensure the "MAX. ON CENTER" dimensions are not exceeded.
 3. Concrete anchor table:

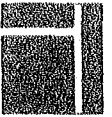
ANCHOR TYPE	ANCHOR SIZE	MIN. EMBEDMENT	MIN. CLEARANCE TO MASONRY EDGE	MIN. CLEARANCE TO ADJACENT ANCHOR
ITW	1/4"	1-1/4"	2-1/2"	3"
ITW	3/16"	1-1/4"	2-5/8"	2-1/4"

DATE 02/16/12 SCALE N.T.S. DWG. BY JK CHK. BY LFS DRAWING NO.: FL-15213.14 SHEET 6 OF 7		PRODUCT: PLASTPRO INC. FIBERGLASS DOOR PART OR ASSEMBLY: FRAME ANCHORING 1X BUCK MASONRY CONSTRUCTION	Documents Prepared By: RW BUILDING CONSULTANTS, INC. P.O. Box 230 Valrico FL 33595 Phone No.: 813.669.9197 Florida Board of Professional Engineers Certificate Of Authorization No. 9813 Lyndon F. Schmidt, P.E. No. 43409
NO. DATE REVISIONS		BY	

BILL OF MATERIALS		MATERIAL
A	1X BLUCK SG >= 0.55	WOOD
B	2X BLUCK SG >= 0.55	WOOD
C	1/4" MAX. SHIM SPACE	
D	1/4" X 2-3/4" PPH ELCO OR ITW CONCRETE SCREW	STEEL
E	MASONRY - 3,192 PSI MIN. CONCRETE CONFORMING TO ACI 301 OR HOLLOW BLOCK CONFORMING TO ASTM C90	CONCRETE
G	3/16" X 3-1/4" PPH ITW CONCRETE SCREW	STEEL
H	1/4" X 3-1/4" PPH ITW CONCRETE SCREW	STEEL
J	1/4" X 3-3/4" PPH ITW CONCRETE SCREW	STEEL
K	#10 X 2" PPH WOOD SCREW	STEEL
L	#8 X 2-1/2" PPH WOOD SCREW	STEEL
M	#8 X 2" PPH WOOD SCREW	STEEL
7	FORCE 5 WEATHER STRIPPING BY ENDURA	FOAM
8	COMPRESSION WEATHER STRIP QILON 650 BY SCHLEGEL	FOAM
9	4" X 4" BUTT HINGE	STEEL
10	#9 X 1" PPH WOOD SCREW	STEEL
11	#9 X 3/4" PPH WOOD SCREW	STEEL
17	KWIKSET KETED ENTRY - SIGNATURE SERIES	STEEL
18	KWIKSET DEADBOLT - SIGNATURE SERIES (780)	STEEL
20	FINGER JOINTED PINE FRAME, HEAD & HINGE JAMBS	WOOD
21	POLYMER JAMB	COMP. / VINYL
27	LATCH STRIKE PLATE	STEEL
28	DEADBOLT STRIKE PLATE	STEEL
30	INSWING VINYL DOOR BOTTOM SWEEP BY ENDURA	VINYL
31	OUTSWING BUMP THRESHOLD	ALUM./WOOD
32	VINYL DOOR BOTTOM SWEEP #3628 BY HOLM IND.	PVC
33	INSWING ADJUSTABLE THRESHOLD BY ENDURA	ALUM. / WOOD
34	INSWING ADJUSTABLE ALUMINIUM THRESHOLD BY DIP	ALUM. / WOOD
40	DOOR PANEL - SEE DOOR PANEL DETAIL SHEET FOR CONSTRUCTION DETAILS	
41	DOOR SKIN (MIN. 0.075" THICK)	FIBERGLASS
42	TOP RAIL	CELLULAR/PVC
43	LATCH & HINGE STILE	CELLULAR/PVC
44	REINFORCEMENT WOOD FOR LOCKS (20" LONG)	WOOD
45	BOTTOM RAIL	CELLULAR/PVC
46	POLYURETHANE FOAM BY NAN YA	CELLULAR/PVC
47	CONTINUOUS LATCH & HINGE STILE REINFORCEMENT	POLYURETHANE
49	GLAZING COMPOUND	WOOD
55	UP LITE ODI/WESTERN REFLECTIONS HP	SILICONE
56	GLAZING SPACER	POLYPROPYLENE
57	#8 X 1-1/2" PPH LITE FRAME SCREW	ALUM.
57		STEEL



PRODUCT: PLASTPRO INC. FIBERGLASS DOOR PART OR ASSEMBLY: BILL OF MATERIALS, GLAZING DETAIL & COMPONENTS		Documents Prepared By: <i>Rw</i> BUILDING CONSULTANTS, INC. P.O. Box 230 Valrico FL 33595 Phone No. 813.859.9187 Florida Board of Professional Engineers Certificate of Authorization No. 8813 LFD 2.17.12 Lyndon F. Schmidt, P.E. No. 43409
DATE: 02/16/12 SCALE: N.T.S. Dwg. Br: JK Chk. Br: LFS		SHEET 2 OF 7
REVISIONS		



plastpro

5200 W. CENTURY BLVD.
LOS ANGELES, CA 90045

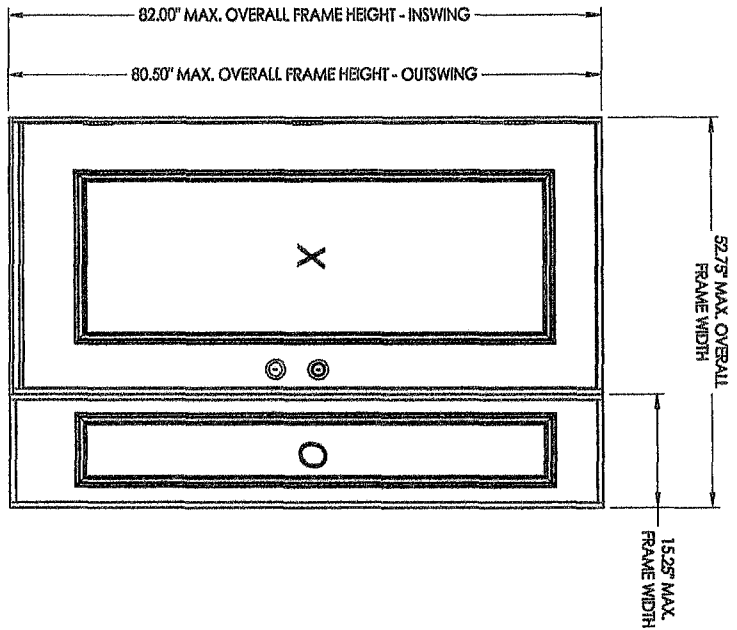
Smooth / Wood Grain / White Wood Grain
Rustic / Mahogany
Series N Fiberglass Door
INSWING / OUTSWING
"NON-IMPACT"

GENERAL NOTES

1. This product has been evaluated and is in compliance with the 2010 Florida Building Code (FBC) structural requirements excluding the "High Velocity Hurricane Zone" (HVHZ).
2. Product anchors shall be as listed and spaced as shown on details. Anchor embedment to base material shall be beyond wall dressing or stucco.
3. When used in areas requiring wind borne debris protection this product is required to be protected with an impact resistant covering that complies with Section 1609.1.2 of the FBC.
4. For 2x stud framing construction, anchoring of these units shall be the same as that shown for 2x buck masonry construction.
5. Site conditions that deviate from the details of this drawing require further engineering analysis by a licensed engineer or registered architect.

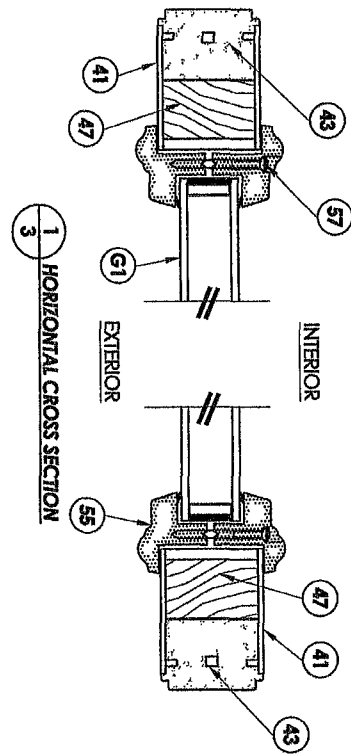
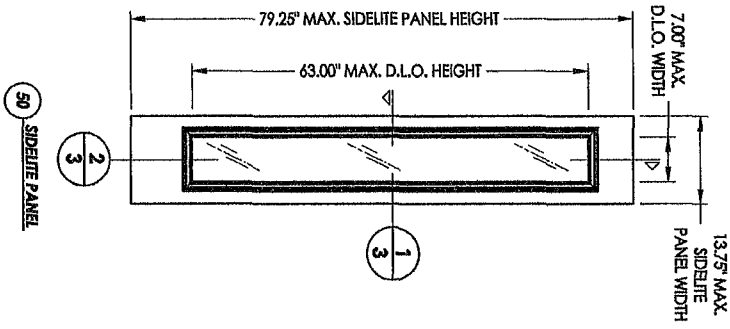
TABLE OF CONTENTS

SHEET #	DESCRIPTION
1	Typical elevation, design pressures, & general notes
2	Door panel details
3	Sidelite panel details
4	Horizontal cross sections
5	Vertical cross sections
6	Vertical cross sections
7	Buck and frame anchoring - 2x buck masonry construction
8	Frame anchoring - 1x buck masonry construction
9	Bill of materials, glazing detail & components

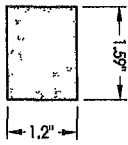


SWING	OVERALL FRAME DIMENSION	DOOR D.O. DIMENSION	SIDELITE D.O. DIMENSION	GLASS TYPE	DESIGN PRESSURE (PSF)
INSWING	82.75" x 82.00"	21.00" x 63.00"	7.00" x 63.00"	G1	+48.0 -50.0
OUTSWING	82.75" x 80.50"	21.00" x 63.00"	7.00" x 63.00"		+50.0 -50.0

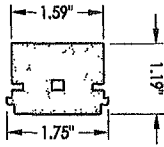
PRODUCT: PLASTPRO INC. FIBERGLASS DOOR	Documents Prepared By: BUILDING CONSULTANTS, INC. P.O. Box 230 VeroBe FL 33595 Phone No.: 813.859.9187 Florida Board of Professional Engineers Certificate Of Authorization No. 9813 Lyndon F. Schmidt, P.E. No. 43409
PART OR ASSEMBLY: TYPICAL ELEVATION, DESIGN PRESSURES & GENERAL NOTES	DATE: 02/16/12 SCALE: N.T.S. DWG. BY: JK CHK. BY: LSS DRAWING NO.: FL-15213.15 SHEET 1 OF 9



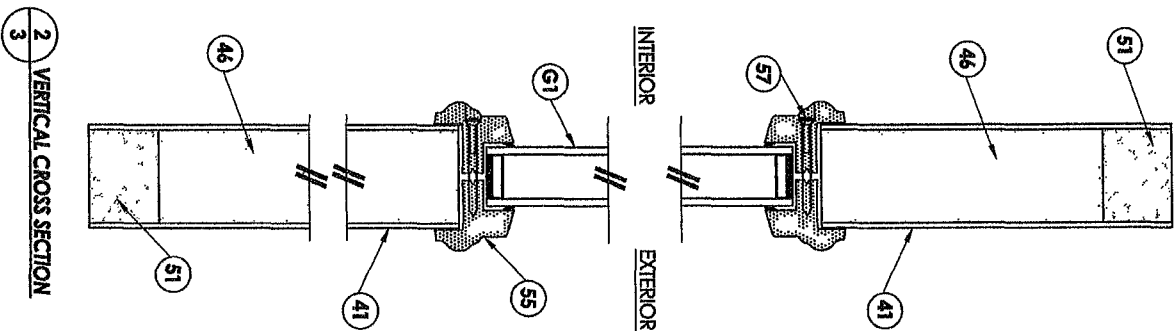
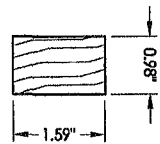
51 SIDELITE TOP & BOTTOM RAIL
Cellulose PVC



43 HINGE & LATCH STILE
Stainless Steel
Cellulose PVC

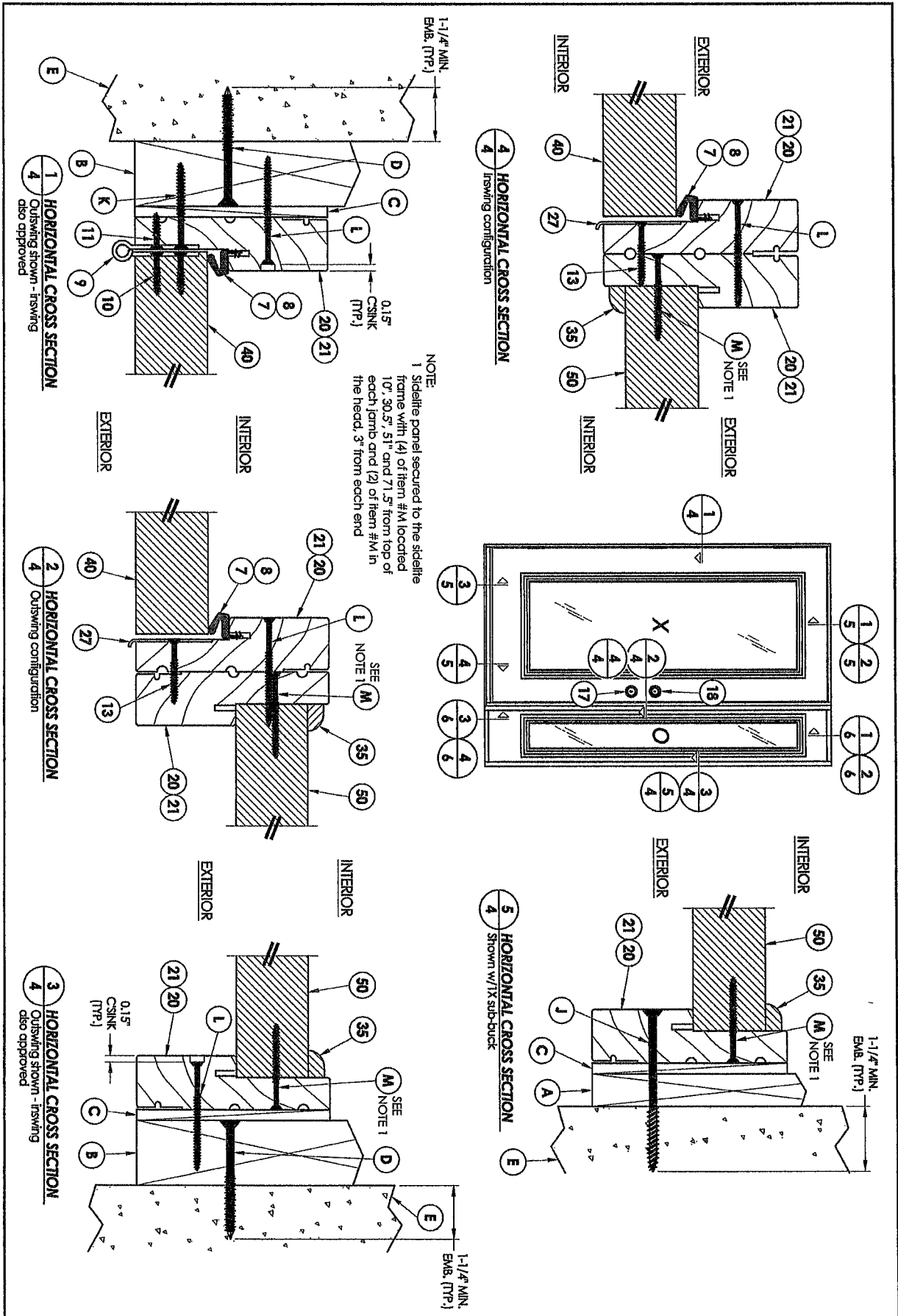


47 LATCH & HINGE STILE
Stainless Steel
Wood Reinforcement

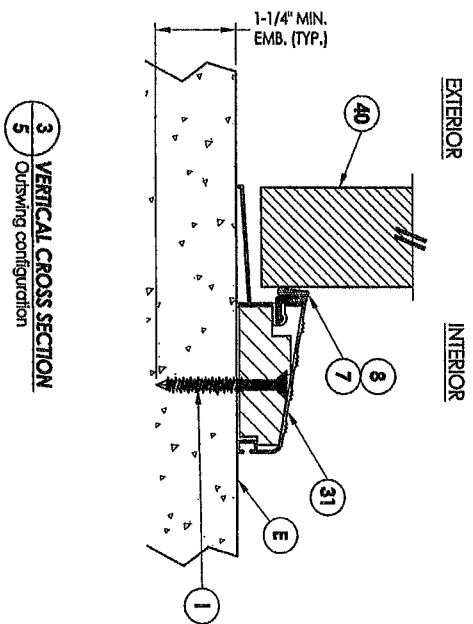


2 VERTICAL CROSS SECTION

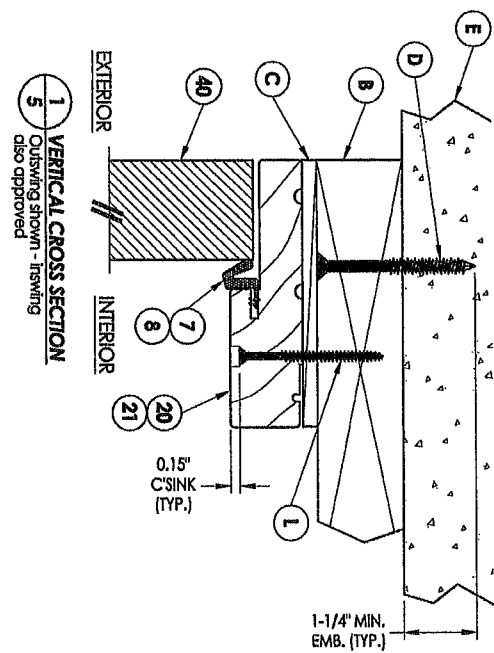
PRODUCT: PLASTPRO INC. FIBERGLASS DOOR		Documents Prepared By: <i>RW</i> BUILDING CONSULTANTS, INC. P.O. Box 230 Vairoo FL 33595 Phone No.: 813.659.9197 Florida Board of Professional Engineers Certificate of Authorization No. 8813 2.17.12 Lyndon F. Schmidt, P.E. No. 43409
PART OR ASSEMBLY: SIDELITE PANEL DETAILS		
NO. DATE REVISIONS	BY	SHEET 3 OF 9
DATE: 02/16/12 SCALE: N.T.S. DWG. BY: JK CHK. BY: LFS DRAWING NO.: FL-15213.15	© 2012 R W BUILDING CONSULTANTS INC	



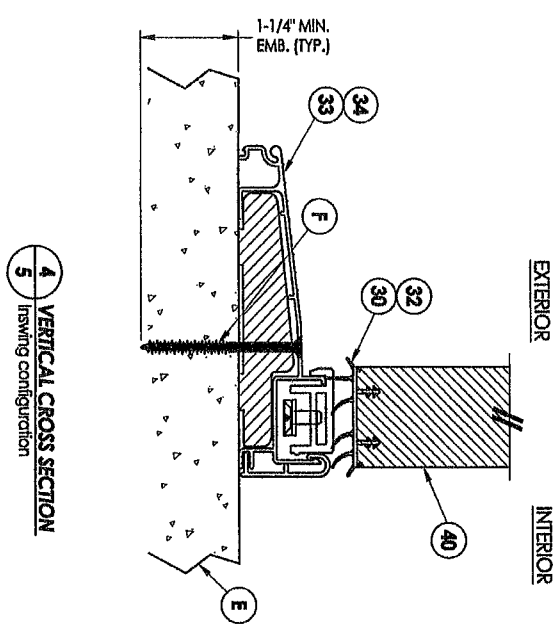
SHEET 4 OF 9		DRAWING NO.: FL-15213.15		CHK. BY: LFS		DATE: 02/16/12		SCALE: N.T.S.		DWG. BY: JK		PRODUCT: PLASTPRO INC. FIBERGLASS DOOR		Documents Prepared By: R.W. BUILDING CONSULTANTS, INC. P.O. Box 230 Valrico FL, 33595 Phone No.: 813.659.9197	
NO.		DATE		BY		REVISIONS		PART OR ASSEMBLY: HORIZONTAL CROSS SECTIONS				Florida Board of Professional Engineers Certificate of Authorization No. 9813		Lyndon F. Schmidt, P.E. No. 43409	



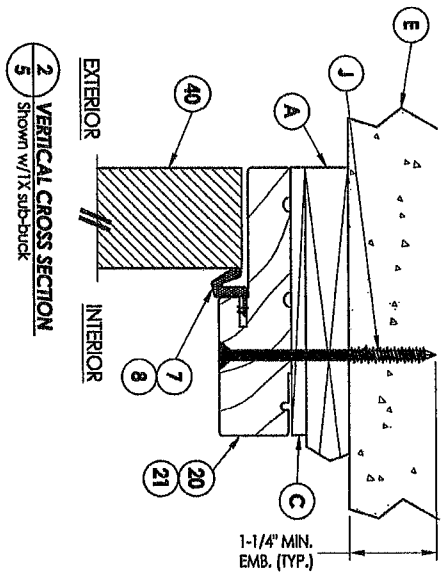
3 VERTICAL CROSS SECTION
Outswinging configuration



1 VERTICAL CROSS SECTION
Outswinging shown - Inswinging also approved



4 VERTICAL CROSS SECTION
Inswinging configuration

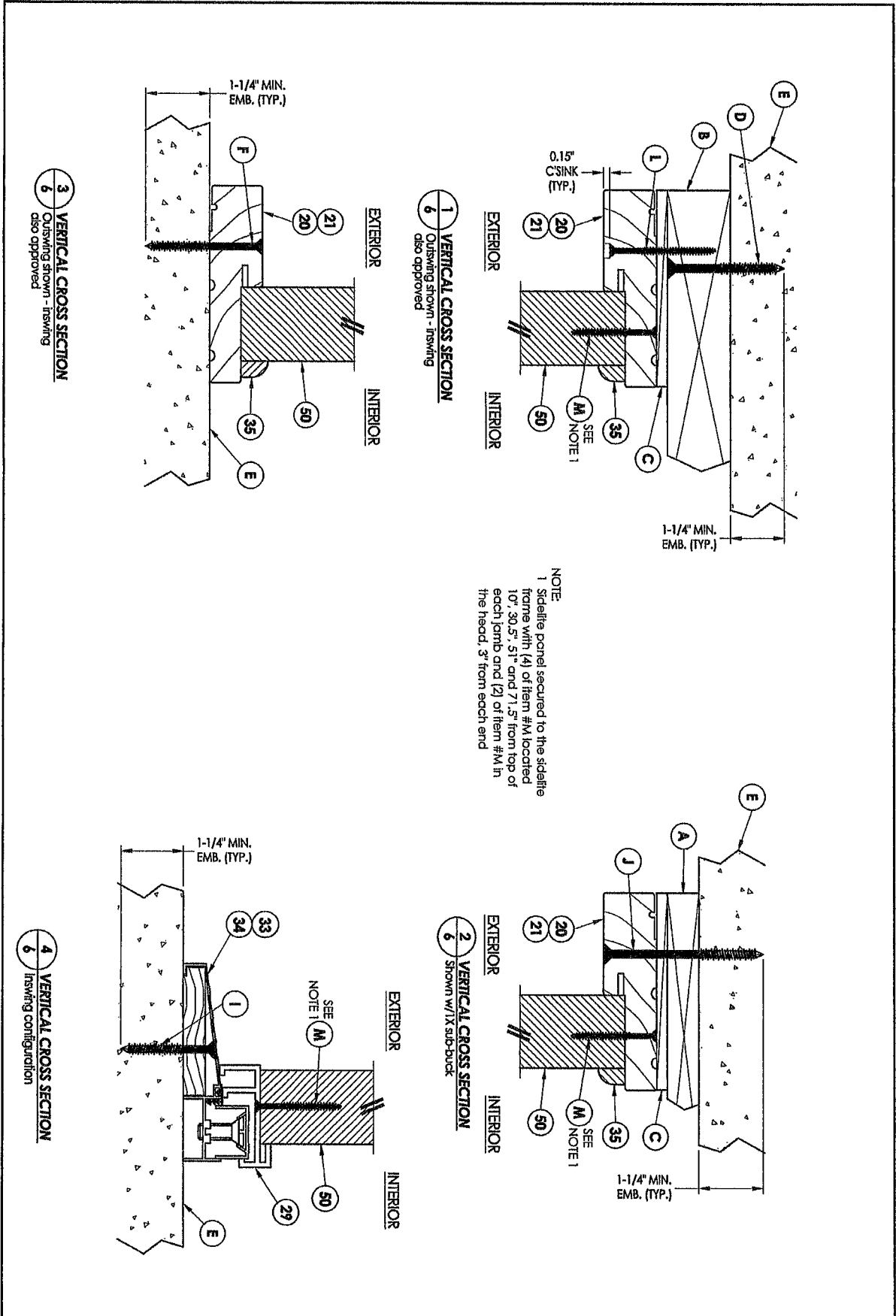


2 VERTICAL CROSS SECTION
Shown w/ 1x sub-stuck

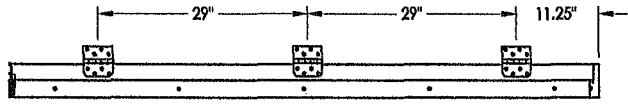
NO.	DATE	REVISIONS	BY

PRODUCT: PLASTPRO INC. FIBERGLASS DOOR
PART OR ASSEMBLY: VERTICAL CROSS SECTIONS

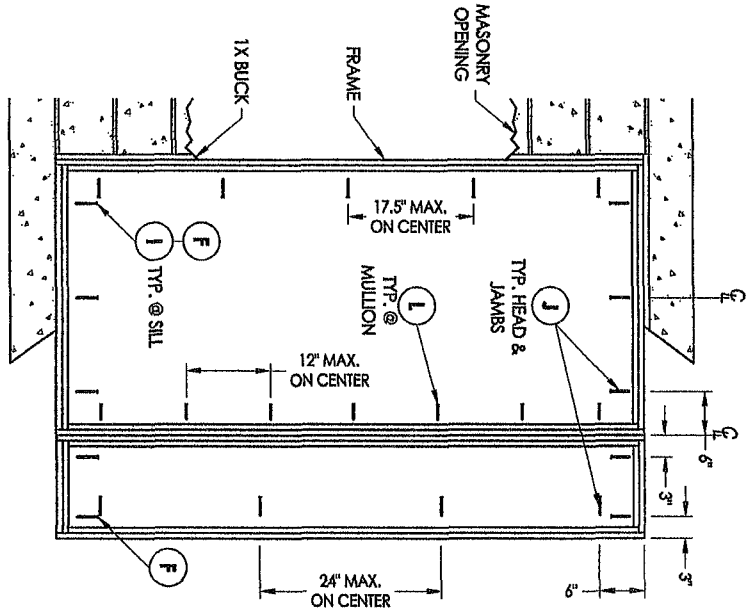
Documents Prepared By:
RW BUILDING CONSULTANTS, INC.
P.O. Box 230 Valrico FL 33595
Phone No.: 813.659.9197
Florida Board of Professional Engineers
Certificate Of Authorization No. 9813
LF 2.17.12
Lyndon F Schmidt, P.E. No. 43409



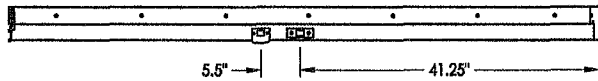
PRODUCT: PLASTRO INC. FIBERGLASS DOOR		Documents Prepared By: <i>RW</i> BUILDING CONSULTANTS, INC. P.O. Box 230 Volusia FL 33505 Phone No.: 813.659.9197 Florida Board of Professional Engineers Certificate Of Authorization No. 8843 Lyndon F. Schmidt, P.E. No. 43409	
PART OR ASSEMBLY: VERTICAL CROSS SECTIONS		DATE: 02/16/12 SCALE: N.T.S. Dwg. BY: JK Chk. BY: LFS DRAWING NO.: FL-15213.15	
NO.	DATE	REVISIONS	BY



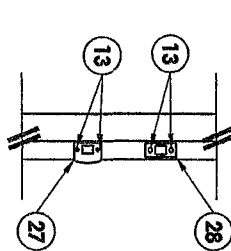
HINGE JAMB



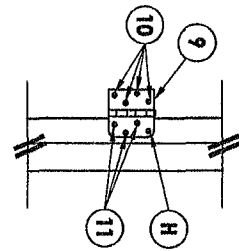
FRAME ANCHORING
Masonry 1x buck construction



STRIKE JAMB



LATCH & DEADBOLT DETAIL



HINGE DETAIL

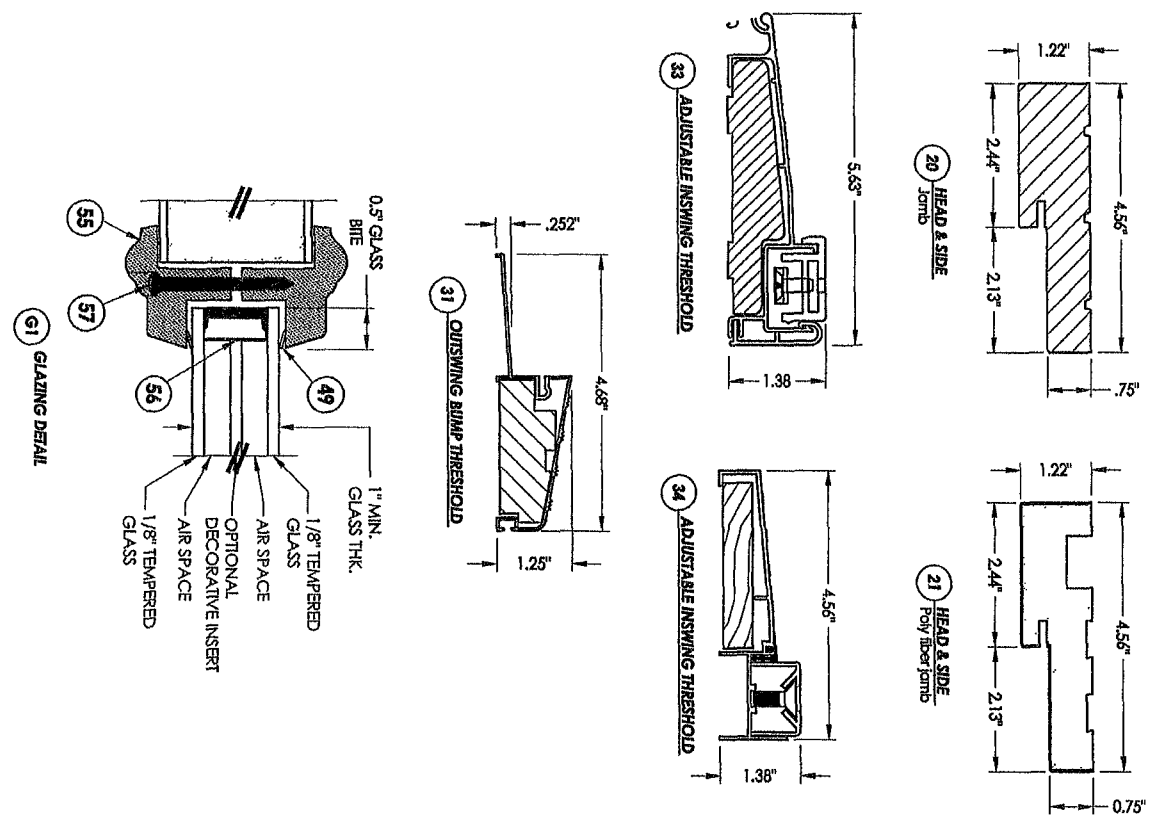
- CONCRETE ANCHOR NOTES:**
1. Substitution of equal concrete anchors from a different supplier may have different edge distance and center distance requirements.
 2. Concrete anchor locations of the corners may be adjusted to maintain the min. edge distance to mortar joints. If concrete anchor locations noted as "MAX. ON CENTER" must be adjusted to maintain the min. edge distance to mortar joints, additional concrete anchors may be required to ensure the "MAX. ON CENTER" dimensions are not exceeded.
 3. Concrete anchor table:

ANCHOR TYPE	ANCHOR SIZE	MIN. EMBEDMENT	MIN. CLEARANCE TO MASONRY EDGE	MIN. CLEARANCE TO ADJACENT ANCHOR
ITW	1/4"	1-1/4"	2-1/2"	3"
ITW	3/16"	1-1/4"	2-5/8"	2-1/4"

DATE: 02/16/12 SCALE: N.T.S. DWG. BY: JK CHK. BY: LFS DRAWING NO.: FL-15213.15 SHEET: 8 OF 9	PRODUCT: PLASTPRO INC. FIBERGLASS DOOR	Documents Prepared By: RW BUILDING CONSULTANTS, INC. P.O. Box 230 Valrico FL 33595 Phone No.: 813.659.9197 Florida Board of Professional Engineers Certificate Of Authorization No. 9813 Lyndon F. Schmidt, P.E. No. 43409
	PART OR ASSEMBLY: FRAME ANCHORING 1X BUCK MASONRY CONSTRUCTION	
NO. DATE REVISIONS	BY	

BILL OF MATERIALS

ITEM	DESCRIPTION	MATERIAL
A	1X BUCK SG >= 0.55	WOOD
B	2X BUCK SG >= 0.55	WOOD
C	1/4" MAX. SHIM SPACE	-
D	1/4" X 3/4" PPH ELCO OR ITW CONCRETE SCREW	STEEL
E	MASONRY - 3,192 PSI MIN. CONCRETE CONFORMING TO ACI 301 OR HOLLOW BLOCK CONFORMING TO ASTM C90	CONCRETE
F	1/4" X 2-3/4" PPH ITW CONCRETE SCREW	STEEL
H	1/4" X 3-1/4" PPH ITW CONCRETE SCREW	STEEL
I	1/4" X 2-1/4" PPH ITW CONCRETE SCREW	STEEL
J	1/4" X 3-3/4" PPH ITW CONCRETE SCREW	STEEL
K	#10 X 2" PPH WOOD SCREW	STEEL
L	#8 X 2-1/2" PPH WOOD SCREW	STEEL
M	#8 X 2" PPH WOOD SCREW	STEEL
7	FORCE 5 WEATHER STRIPPING BY ENDURA	FOAM
8	COMPRESSION WEATHER STRIP Q10N 650 BY SCHLEGEL	FOAM
9	4" X 4" BUTT HINGE	STEEL
10	#9 X 1" PPH WOOD SCREW	STEEL
11	#9 X 3/4" PPH WOOD SCREW	STEEL
13	#8 X 1-1/2" PPH WOOD SCREW	STEEL
17	KWIKSET KEYS ENTRY - SIGNATURE SERIES	STEEL
18	KWIKSET DEADBOLT - SIGNATURE SERIES (780)	STEEL
20	FINGER JOINTED PINE FRAME, HEAD & HINGE JAMBS	WOOD
21	POLYFIBER JAMB	COMP. / VINYL
27	LATCH STRIKE PLATE	STEEL
28	DEADBOLT STRIKE PLATE	STEEL
29	SIDELITE SPACER	PVC
30	INSWING VINYL DOOR BOTTOM SWEEP BY ENDURA	VINYL
31	OUTSWING BUMPER THRESHOLD	ALUM.
32	VINYL DOOR BOTTOM SWEEP #3628 BY HOLM IND.	PVC
33	INSWING ADJUSTABLE THRESHOLD BY ENDURA	ALUM. / WOOD
34	INSWING ADJUSTABLE ALUMINUM THRESHOLD BY DIP	ALUM. / WOOD
35	SHOE MOULD 5/8" X 3/8"	WOOD
40	DOOR PANEL - SEE DOOR PANEL DETAIL SHEET FOR CONSTRUCTION DETAILS	-
41	DOOR SKIN (MIN. 0.075" THICK)	FIBERGLASS
42	TOP RAIL	CELLULAR/PVC
43	LATCH & HINGE STILE	CELLULAR/PVC
44	REINFORCEMENT WOOD FOR LOCKS (20" LONG)	WOOD
45	BOTTOM RAIL	WOOD
46	POLYURETHANE FOAM BY NAN YA	CELLULAR/PVC
47	CONTINUOUS LATCH & HINGE STILE REINFORCEMENT	POLYURETHANE
49	GLAZING COMPOUND	WOOD
50	SIDELITE PANEL - SEE SIDELITE PANEL DETAIL SHEET FOR CONSTRUCTION DETAILS	SILICONE
51	SIDELITE TOP & BOTTOM RAIL BY NAN YA	CELLULAR/PVC
55	LIP LITE ODL/WESTERN REFLECTIONS HP	POLYPROPYLENE
56	GLAZING SPACER	ALUM.
57	#8 X 1-1/2" PPH LITE FRAME SCREW	STEEL



PRODUCT: PLASTPRO INC. FIBERGLASS DOOR PART OR ASSEMBLY: BILL OF MATERIALS, GLAZING DETAIL & COMPONENTS	Documents Prepared By: RW BUILDING CONSULTANTS, INC. P.O. Box 230 Vairco FL 33595 Phone No.: 813.659.9197 Florida Board of Professional Engineers Certificate Of Authorization No. 8513 CFA 2-17-12 Lyndon F. Schmidt, P.E. No. 43409
	DATE 02/16/12 SCALE N.T.S. DWS: BR: JK CHK: BR: LFS DRAWING NO.: FL-15213.15 SHEET 9 OF 9