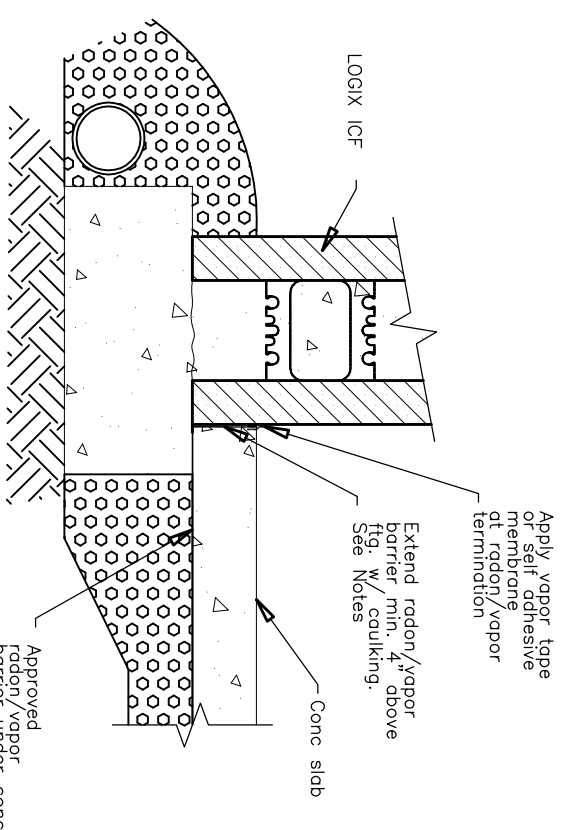


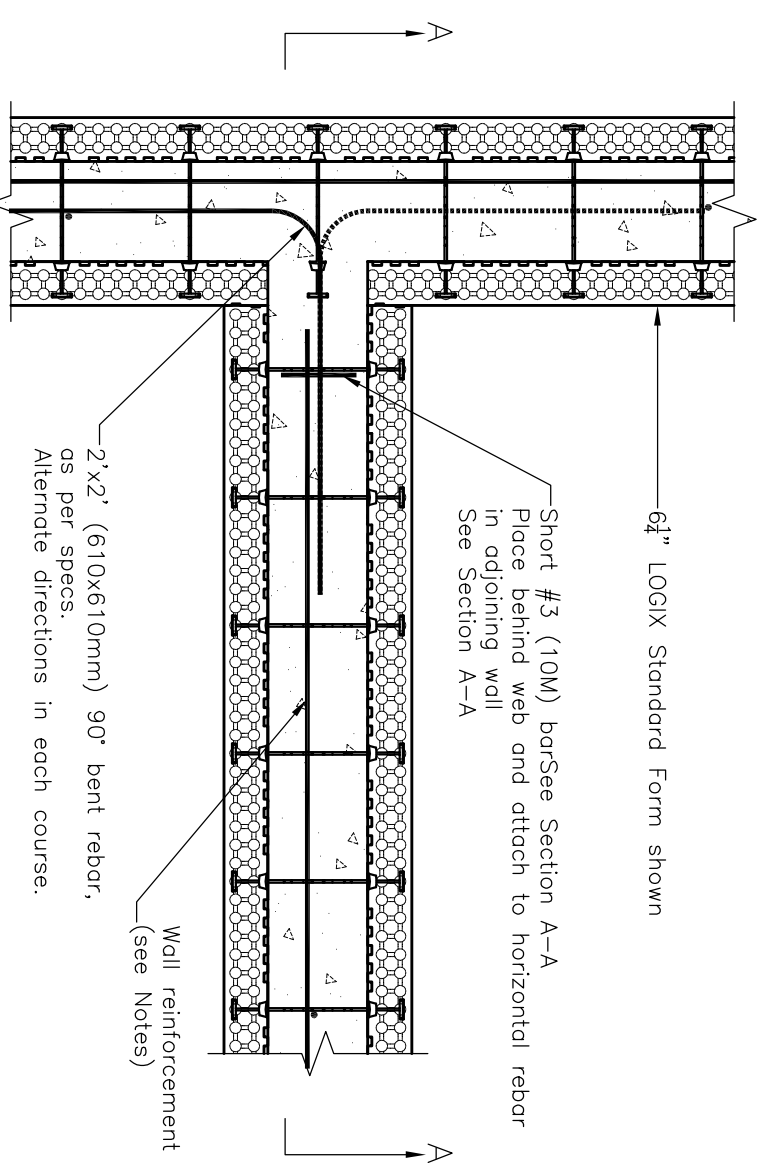
CORNER REINFORCING
SCALE: NONE

1



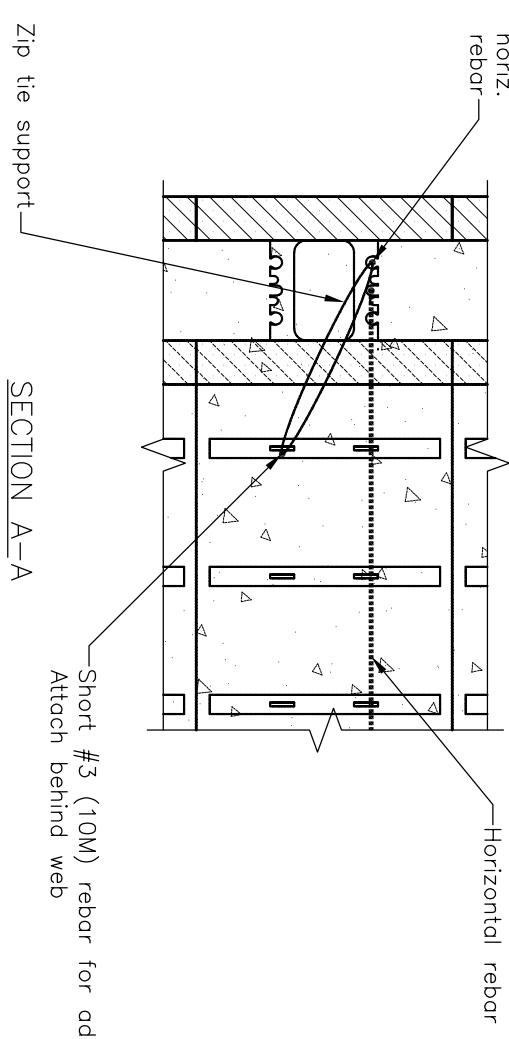
RADON BARRIER UNDER SLAB
SCALE: NONE

2

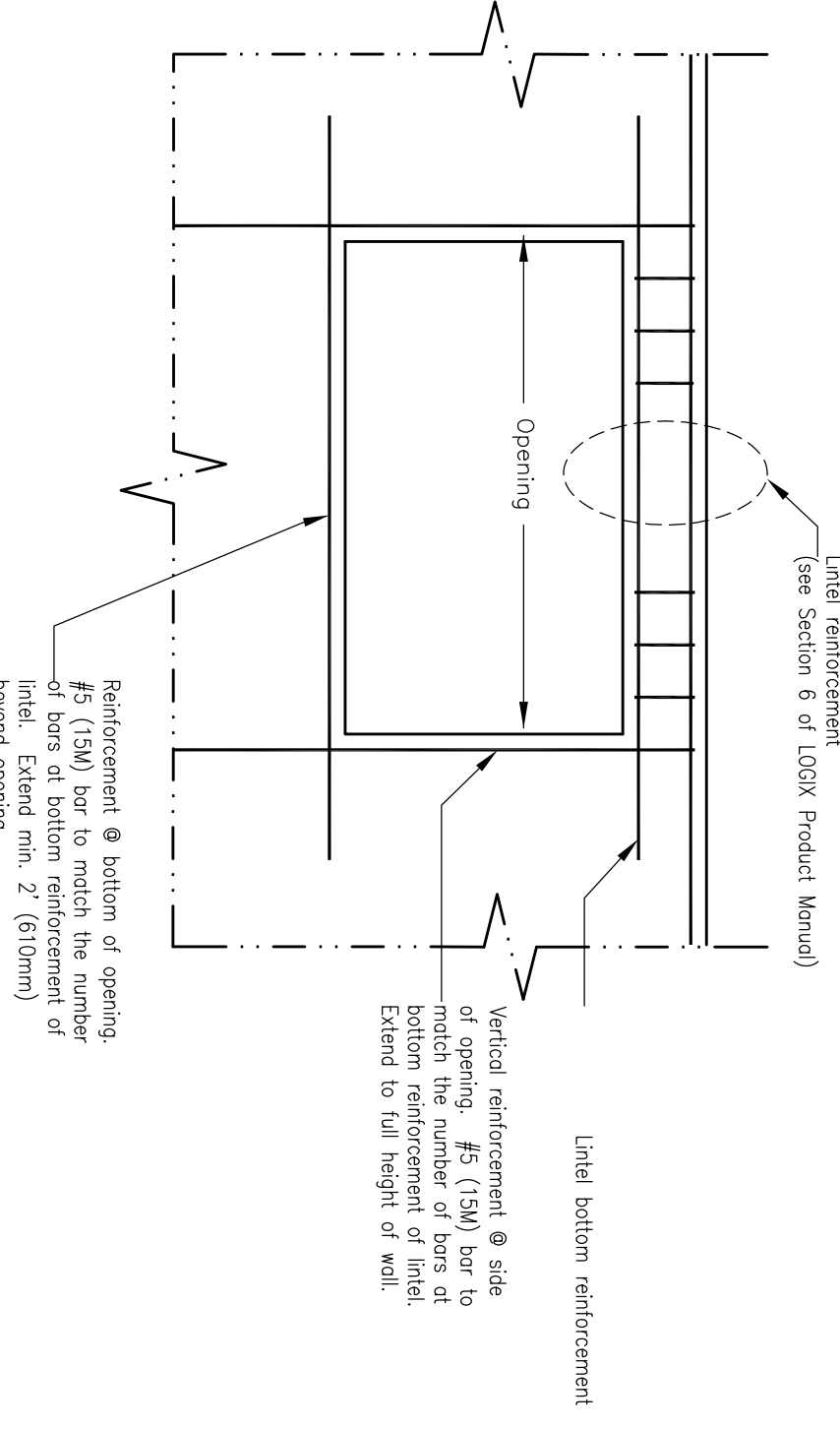


WALL INTERSECTION REINFORCING
SCALE: NONE

3

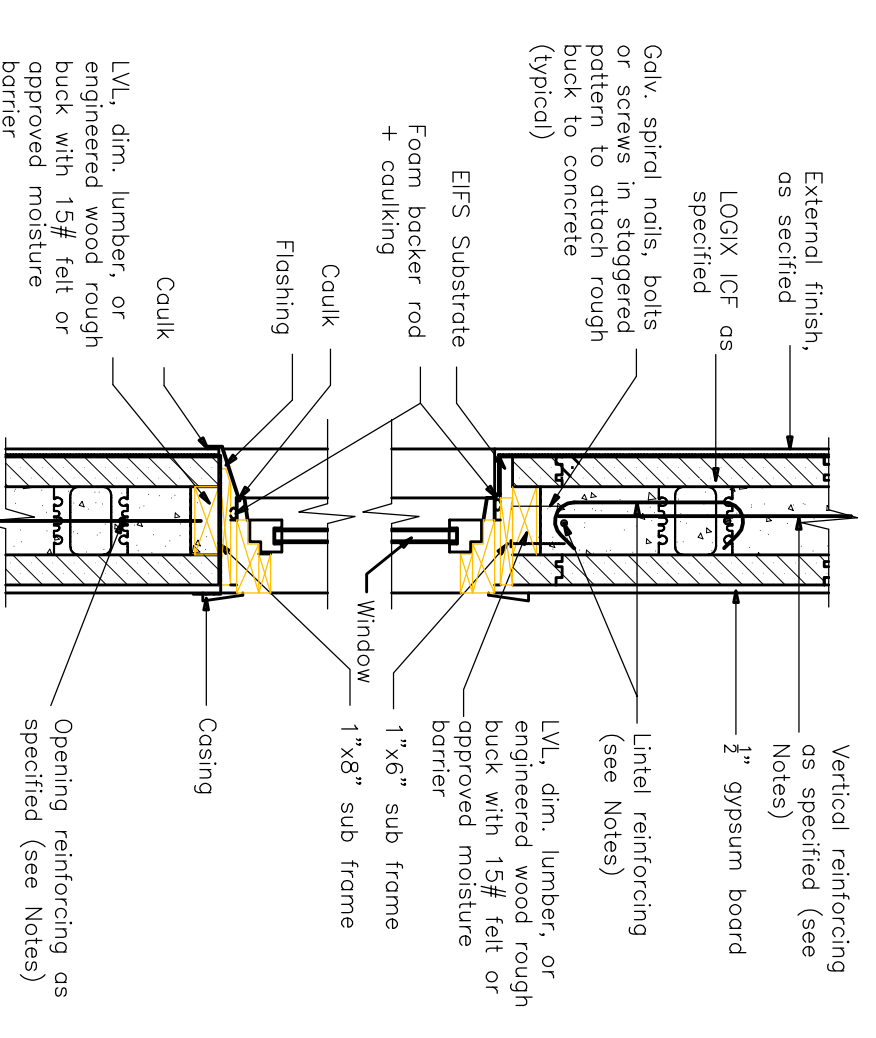


SECTION A-A



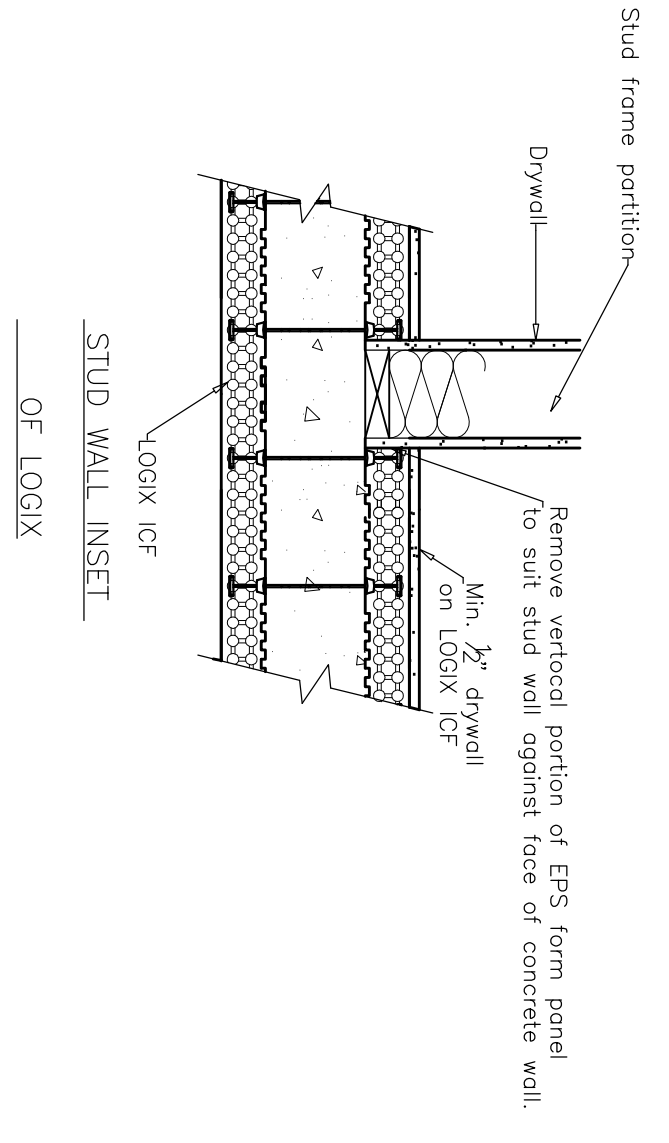
WALL OPENING REINFORCING
SCALE: NONE

6



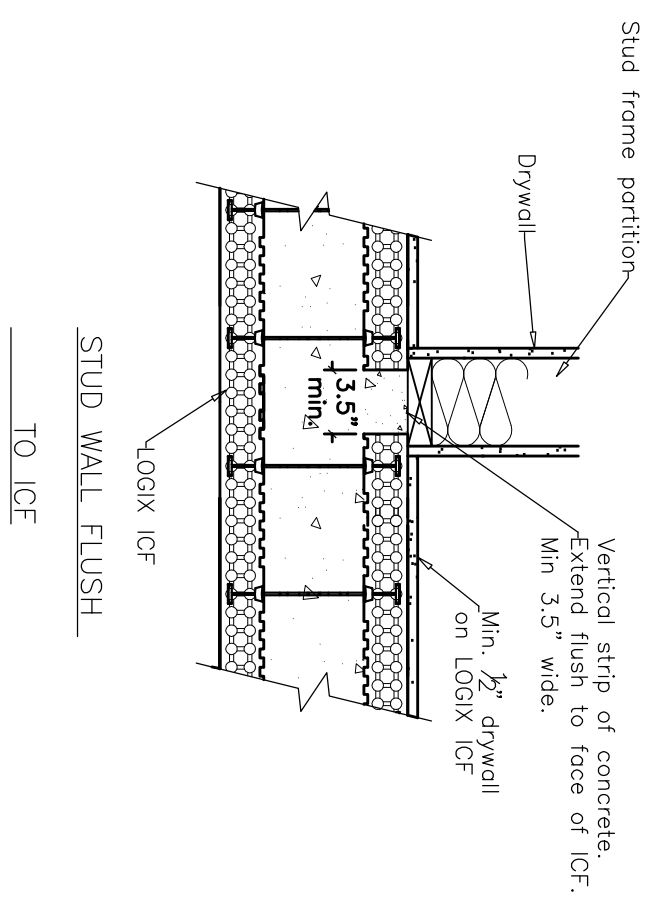
WINDOW HEAD & SILL DETAILS
SCALE: NONE

8

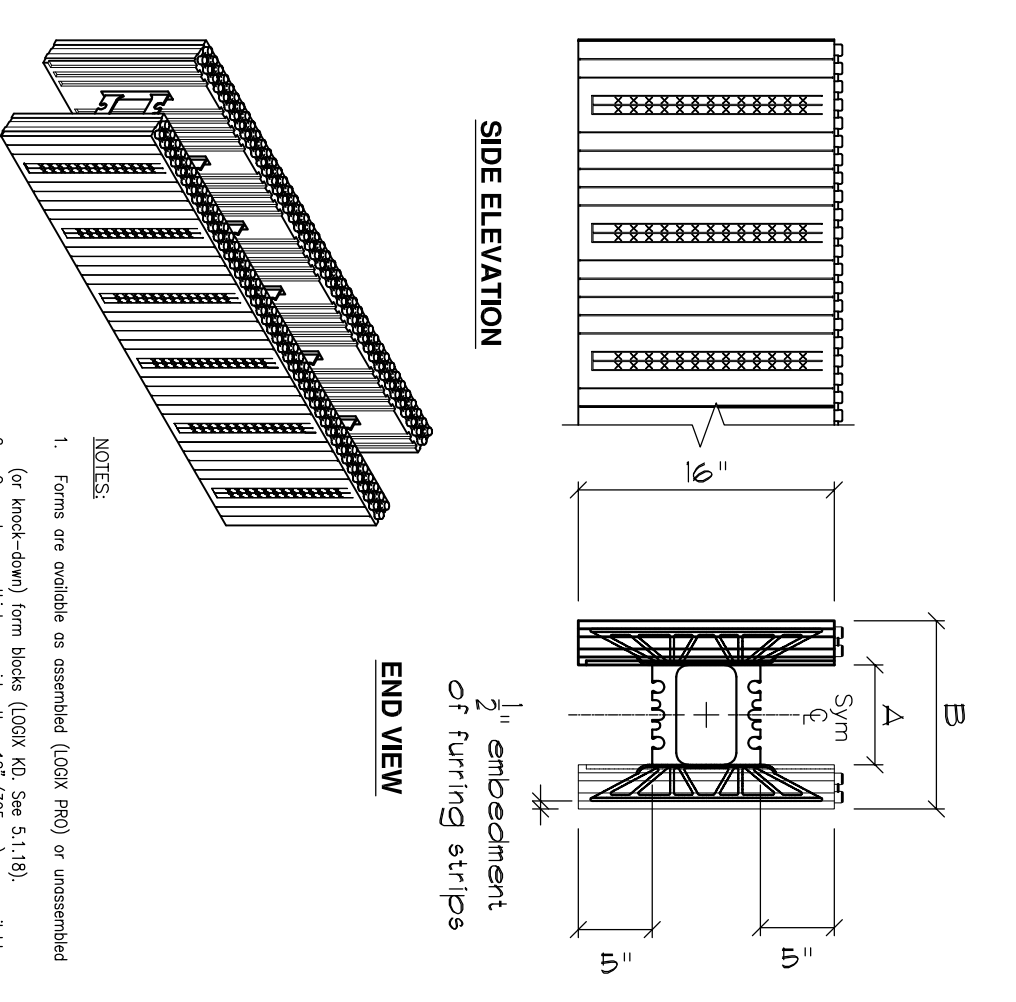


FIRE WALL INTERSECTION
SCALE: NONE

4

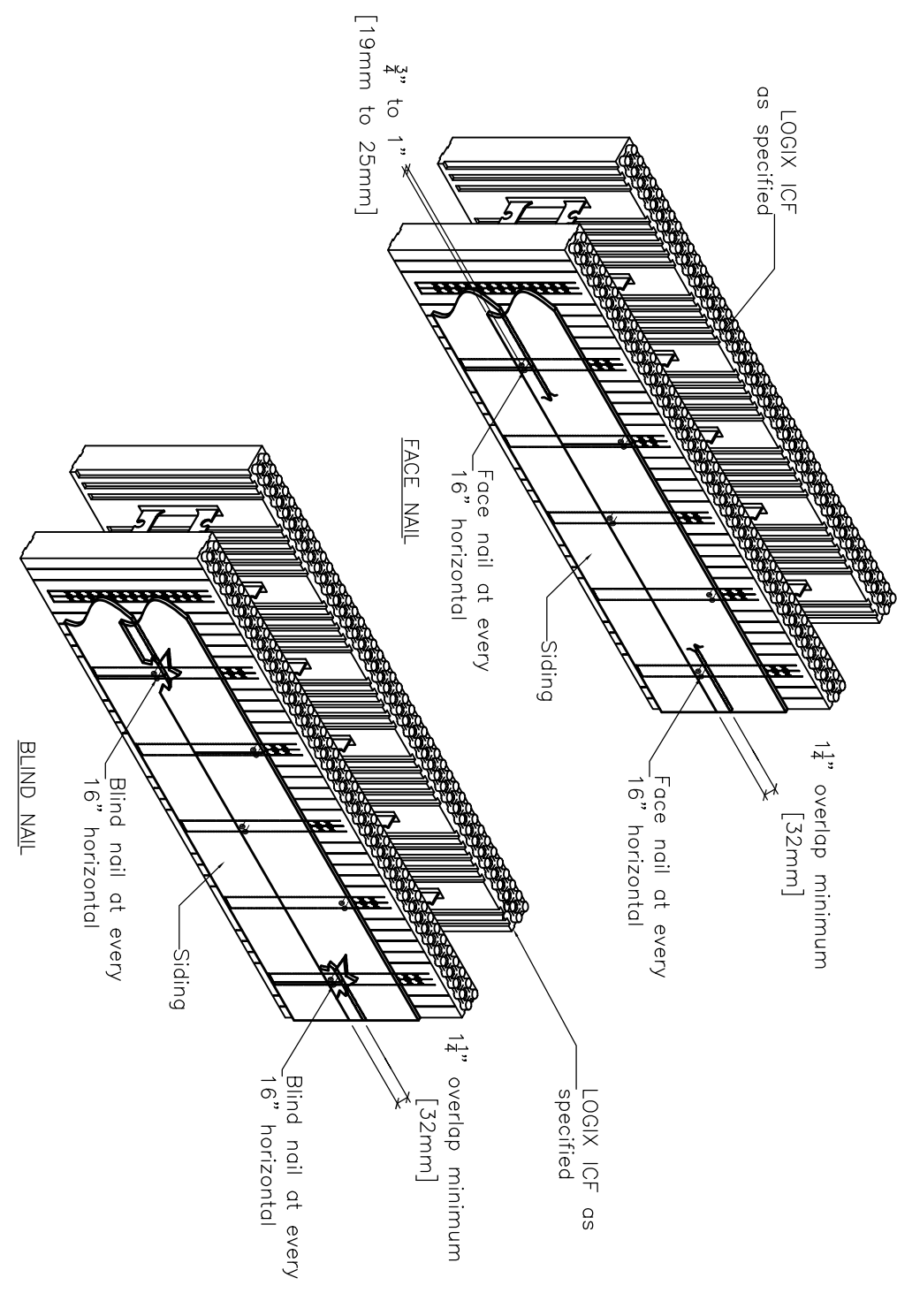


STUD WALL FLUSH TO ICF



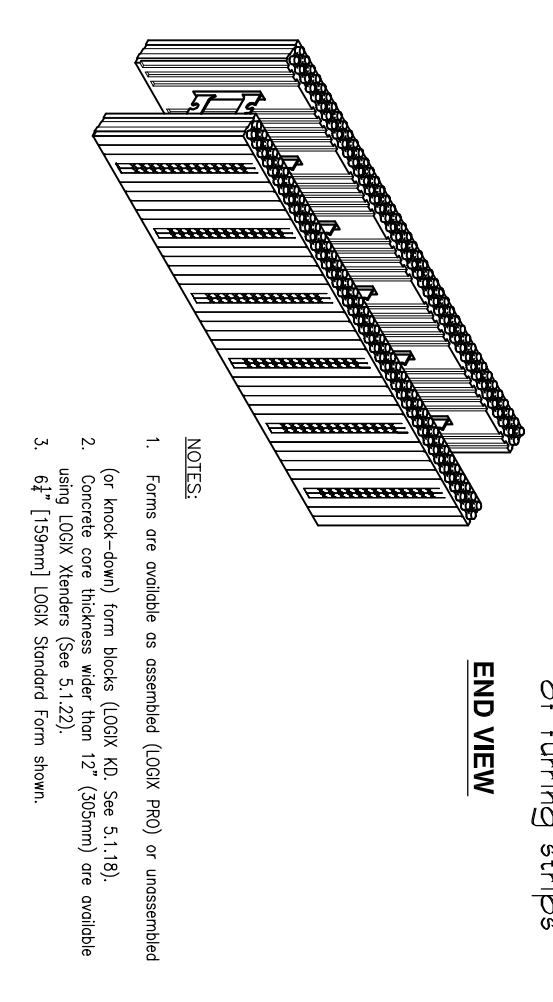
SHEARWALL PLAN
SCALE: NONE

10



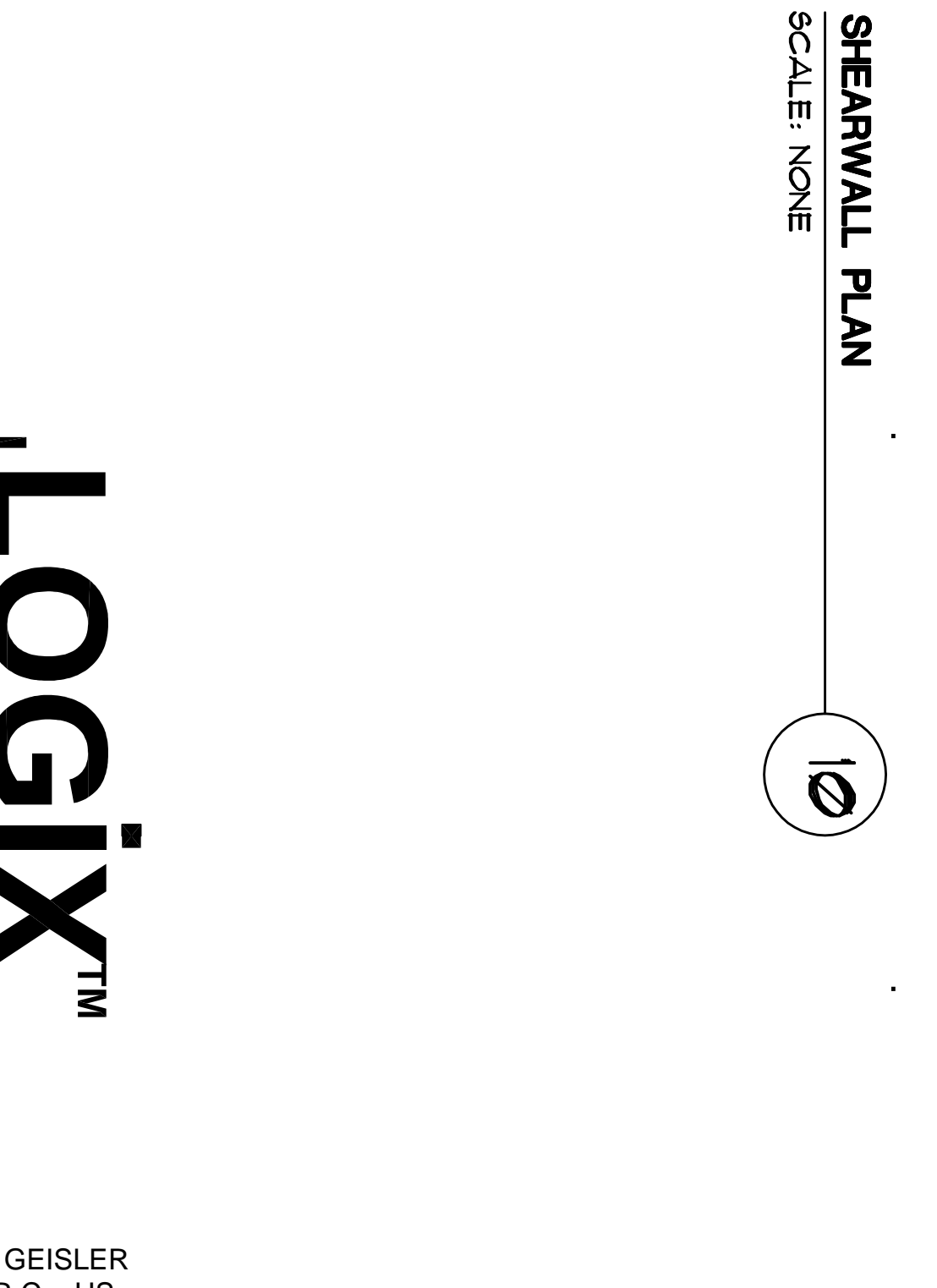
EXTERIOR WALL FINISHES
SCALE: NONE

5



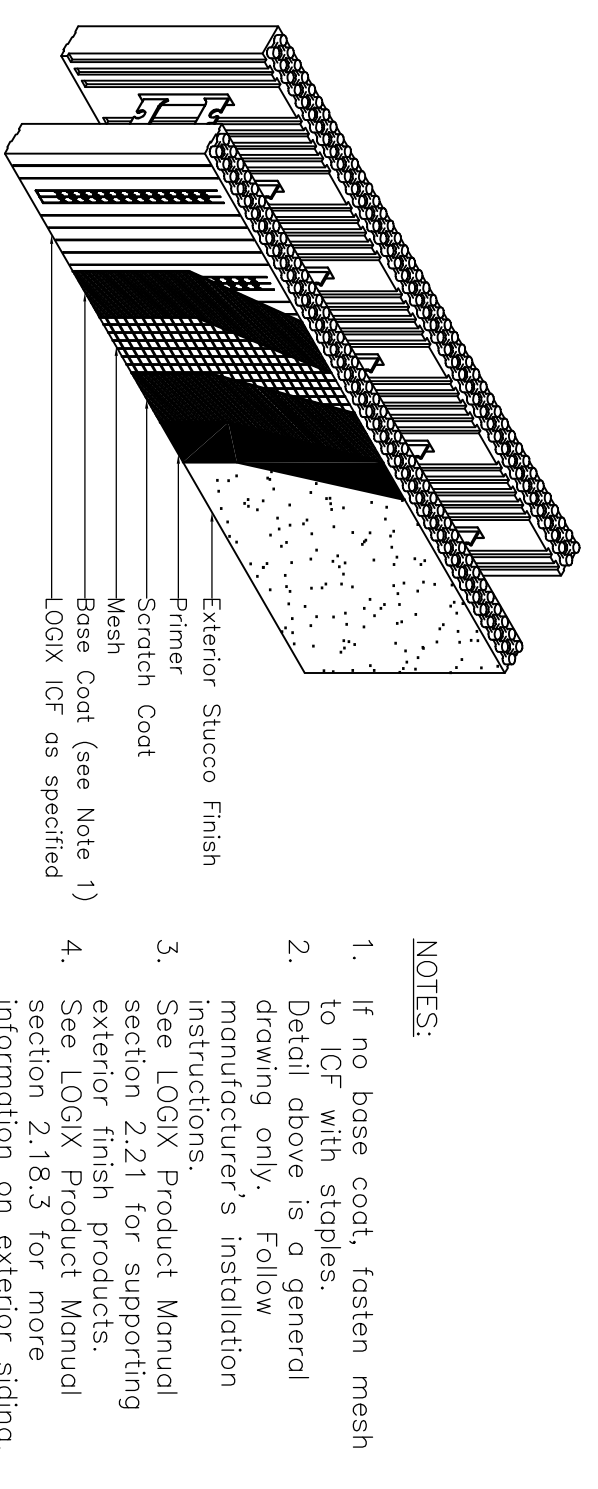
WINDOW HEAD & SILL DETAILS
SCALE: NONE

8



SHEARWALL PLAN
SCALE: NONE

10



EXTERIOR WALL FINISHES
SCALE: NONE

5

LOGIX™
INSULATED CONCRETE FORMS
Good. Solid. Green.™
www.logixicf.com

Digitally signed by: N. P. GEISLER
DN: CN = N. P. GEISLER C = US
O = AR0007005 OU = ARCHITECT
Date: 2023.09.20 12:03:59 -05'00'

AR0007005

SHEET: 3 OF 9
DATE: 10 MAR 2023
CONTRACT: 2K2301

1728 NW BIRCHWOOD BLVD
SUITE 300
DADE CITY, FL 34608-4355
NICHOLAS GEISLER ARCHITECT

1972 - 2023
N.P. Geisler, Architect
ARCHITECTS

Celebrating 51 Years of Service

NEW CUSTOM RESIDENTIAL DESIGN for:
JOHN and DEBBIE STALLINGS
860 EVERGREEN DRIVE - LAKE CITY, FLORIDA
ICF WALL DETAILS

DATE: 09/20/23
DRAWN: NPG