

## APPLICABLE CODES AND STANDARDS

- 2023 FLORIDA BUILDING CODE (8TH EDITION)
- 2021 INTERNATIONAL BUILDING CODE
- ASCE 7-16: MINIMUM DESIGN LOADS ON BUILDINGS AND OTHER STRUCTURES
- AISC STEEL CONSTRUCTION MANUAL (15TH EDITION)
- ACI 318-14: BUILDING CODE REQUIREMENTS FOR STRUCTURAL CONCRETE
- TMS 402-16: BUILDING CODE REQUIREMENTS FOR MASONRY STRUCTURES
- AWS D1.1: STRUCTURAL WELDING

## INSTALLATION NOTES AND SPECIFICATIONS

- MAXIMUM ROOF PITCH 4:12
- END WALL COLUMNS (POST) AND SIDE WALL COLUMNS ARE IDENTICAL, U.N.O.
- 29 GA METAL PANELS SHALL BE FASTENED DIRECTLY TO 2.5" x 2.5" x 14 GA TUBE STEEL (TS) FRAMING MEMBERS FOR VERTICAL PANELS. 29 GA METAL PANELS SHALL BE FASTENED DIRECTLY TO 18 GA HAT CHANNELS, U.N.O.
- FASTENER SPACING ALONG RAFTERS OR PURLINS, AND POSTS SHALL BE AS FOLLOWS: INTERIOR - 9" O.C., END - 6" O.C.
- FASTENERS SHALL BE #12-14 x 3/4" SELF-DRILLING SCREWS (SDS). USE CONTROL SEAL WASHER WITH EXTERIOR FASTENERS. APPLICABLE ONLY FOR MEAN ROOF HEIGHT OF 20'-0" OR LESS AND ROOF SLOPES OF 18' (4:12 PITCH) OR LESS. SPACING REQUIREMENTS FOR OTHER ROOF HEIGHTS/SLOPES MAY VARY.
- ANCHORS SHALL BE INSTALLED THROUGH THE BASE RAIL WITHIN 6" OF EACH RAFTER COLUMN ALONG SIDES AND ENDS.
- STANDARD GROUND ANCHORS (SOIL NAILS) CONSISTING OF 30" LONG #4 REBAR WITH WELDED NUT MAY BE USED IN SUITABLE SOILS AND WIND SPEEDS LESS THAN OR EQUAL TO 145 MPH.

## DESIGN LOADS

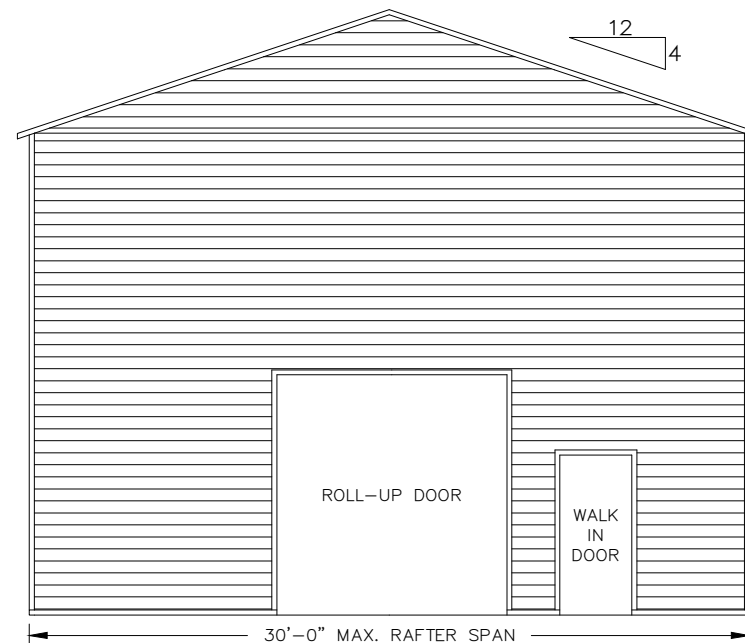
DEAD LOAD	15 PSF
LIVE LOAD	20 PSF
NOMINAL WIND SPEED	108 MPH
ULTIMATE WIND SPEED	140 MPH
WIND EXPOSURE	B
RISK CATEGORY	II
ENCLOSURE CLASSIFICATION	ENCLOSED
OCCUPANCY CLASSIFICATION	S-2

SPACING SPECIFICATIONS						
RISK CATEGORY	WIND EXPOSURE CATEGORY	ULT WIND SPEED (MPH)	NOMINAL WIND SPEED (MPH)	MAXIMUM RAFTER/BOW AND END POST SPACING (FT)	FASTENER SPACING O.C. FOR RAFTERS/PURLINS & POSTS (IN)	
					INTERIOR	END
I, II, III, or IV	B, C, or D	115-150	89-116	5	6	6
		151-180	117-139	4	6	6

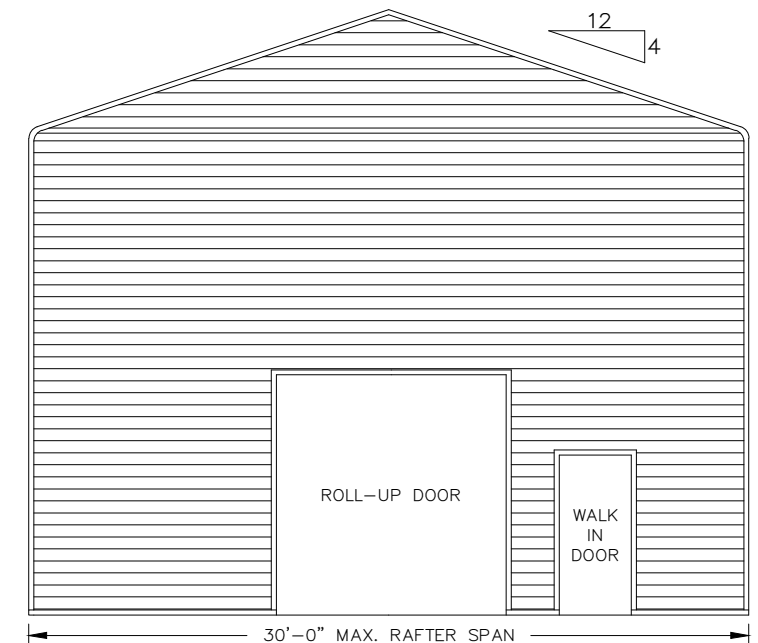
NOTES:  
 1. SPECIFICATIONS APPLICABLE TO 26 OR 29 GA METAL PANELS FASTENED DIRECTLY TO 12 OR 14 GA STEEL TUBE FRAMES.  
 2. FASTENERS CONSIST OF #12-14 x 3/4" SELF-DRILLING SCREWS WITH CONTROL SEAL WASHER.  
 3. SPECIFICATIONS APPLICABLE ONLY FOR MEAN ROOF HEIGHT OF 20 FEET OR LESS, AND ROOF SLOPES OF 4:12 PITCH. SPACING REQUIREMENTS FOR OTHER ROOF HEIGHTS/SLOPES MAY VARY.  
 4. GROUND ANCHOR REQUIREMENTS ARE 1 @ EACH CORNER AND ONE EVERY OTHER INTERIOR BOW/RAFTER POST LOCATION, AT MAXIMUM OF 10' O.C., AND BOTH SIDES OF OPENINGS WHERE BASE RAIL IS ABSENT.  
 5. GROUND ANCHORS ARE NOT REQUIRED WITH CONCRETE SLAB CONSTRUCTION.

# ENCLOSED METAL BUILDING

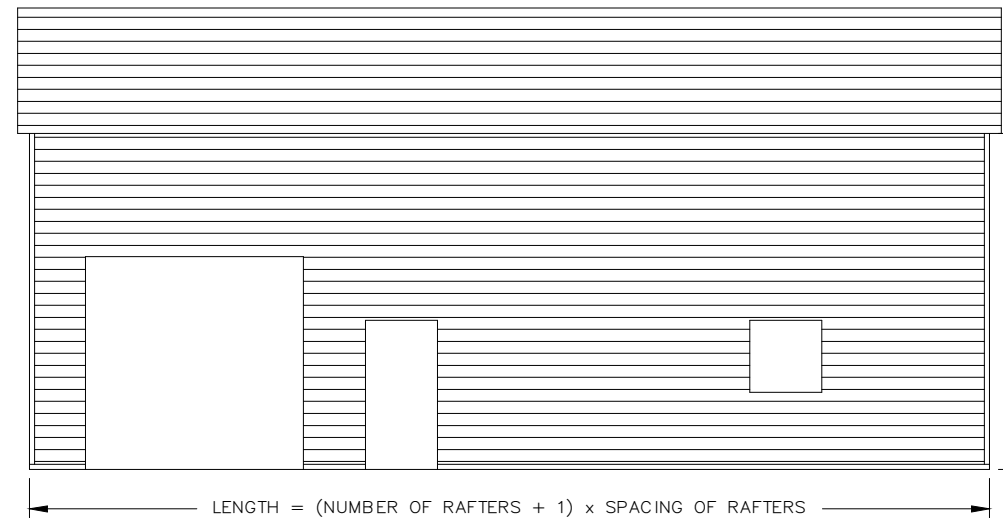
24FT WIDE x 30FT LONG x 10FT EAVE HT. (ENCLOSED CENTER)  
 12FT WIDE x 30FT LONG x 8FT HT. (LEAN-TO)



TYPICAL ELEVATION - BOX EAVE  
SCALE: NTS



TYPICAL ELEVATION - BOW EAVE  
SCALE: NTS



TYPICAL SIDE ELEVATION  
SCALE: NTS

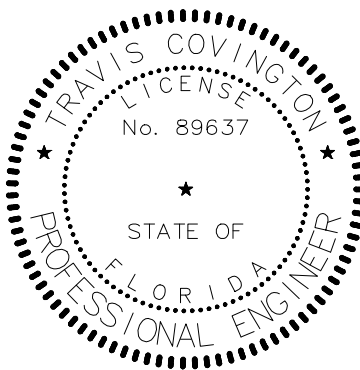
MEMBER	PRODUCT APPROVAL NUMBER	MAX WIND DESIGN PRESSURES
ROOF PANELS	FL39466.1/FL39466.2	+41.6 PSF / -31.2 PSF
WALL PANELS	FL39594.1/FL39594.2	+55.4 PSF / -41.6 PSF
GARAGE DOOR	CTP	CTP
WALK-IN DOOR	CTP	CTP

## DRAWING INDEX

SHEET NO.	DESCRIPTION
S.1	GENERAL NOTES & SPECIFICATIONS
S.2	BOX/BOW EAVE TYPICAL FRAMING SECTIONS
S.3	CONNECTION DETAILS (1 OF 2)
S.4	BASE RAIL & ANCHORAGE DETAILS
S.5	END WALL, SIDE WALL, & OPENING TYPICAL FRAMING
S.6	CONNECTION DETAILS (2 OF 2)
S.7	BOX EAVE LEAN-TO OPTIONS
S.8	FREESTANDING LEAN-TO OPTIONS
S.9	VERTICAL ROOF-SIDING OPTION
S.10	OPTIONAL CONCRETE STRIP FOOTING DETAILS
S.11	OPTIONAL HELICAL ANCHORAGE DETAILS

THIS ITEM HAS BEEN DIGITALLY SIGNED AND SEALED BY TRAVIS COVINGTON, P.E. ON THE DATE ADJACENT TO THE SEAL.

PRINTED COPIES OF THIS DOCUMENT ARE NOT CONSIDERED SIGNED AND SEALED AND THE SIGNATURE MUST BE VERIFIED ON ANY ELECTRONIC COPIES.



## REVISIONS

NO.	DESCRIPTION	DATE

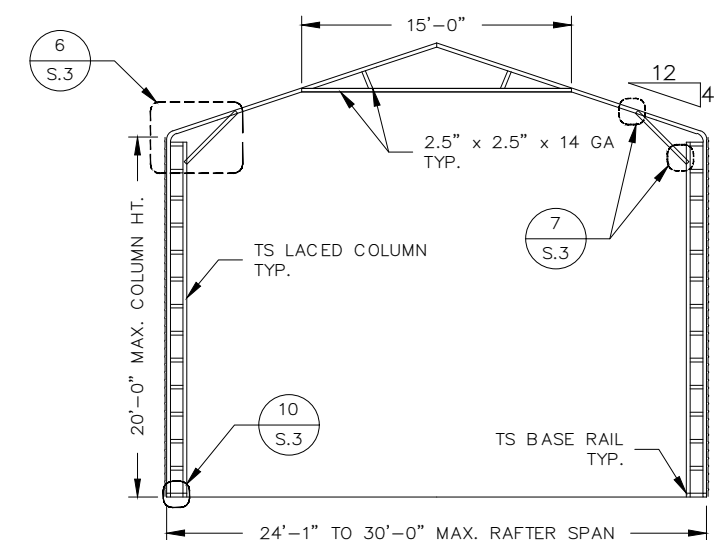
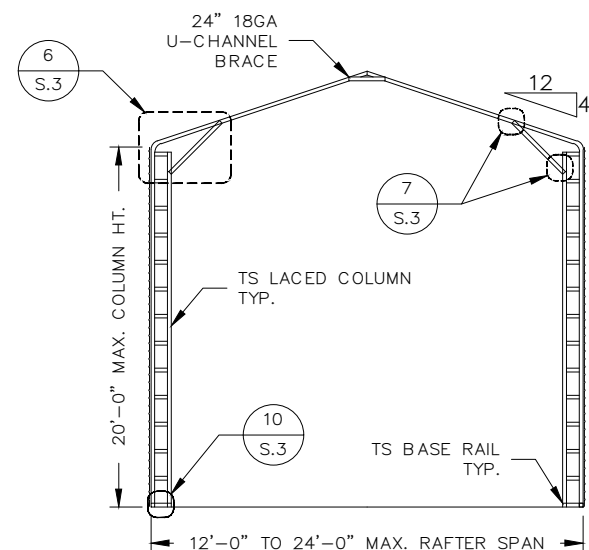
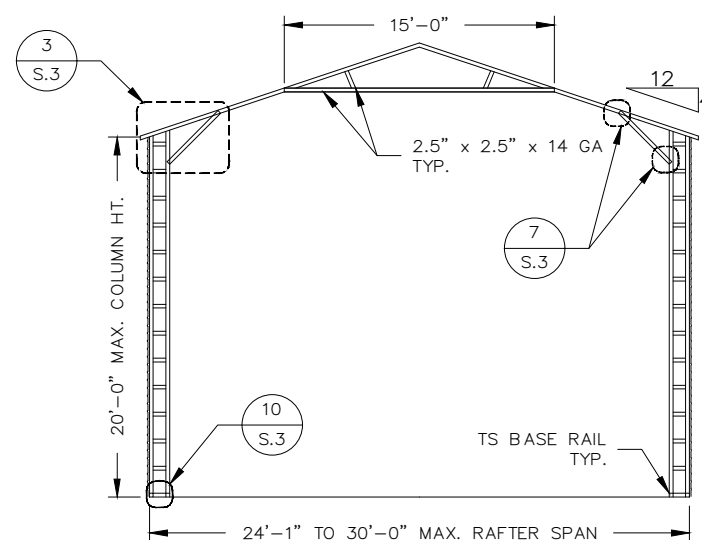
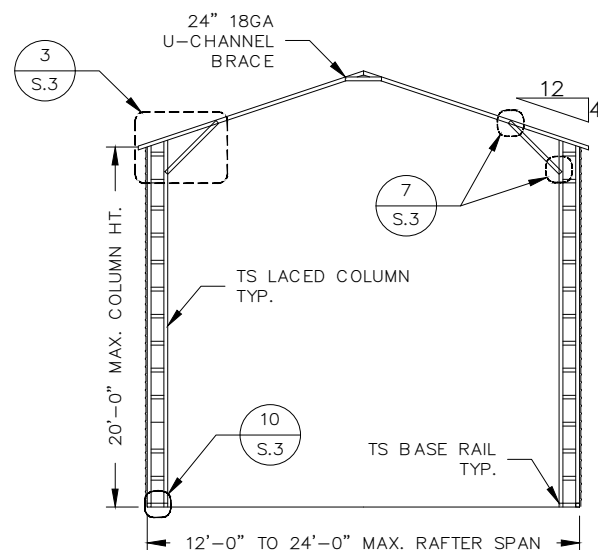
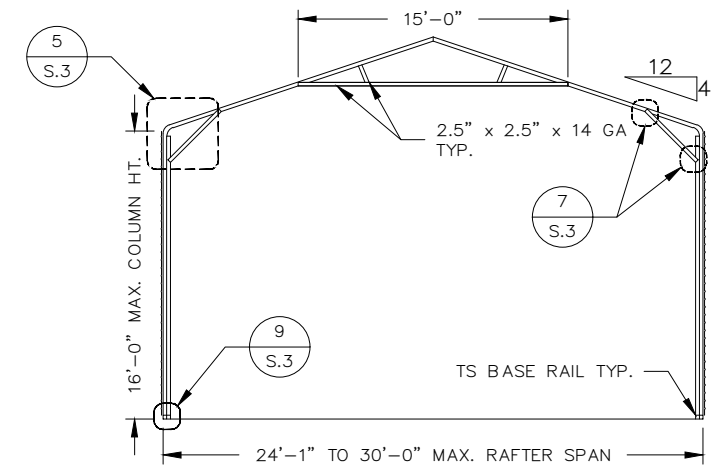
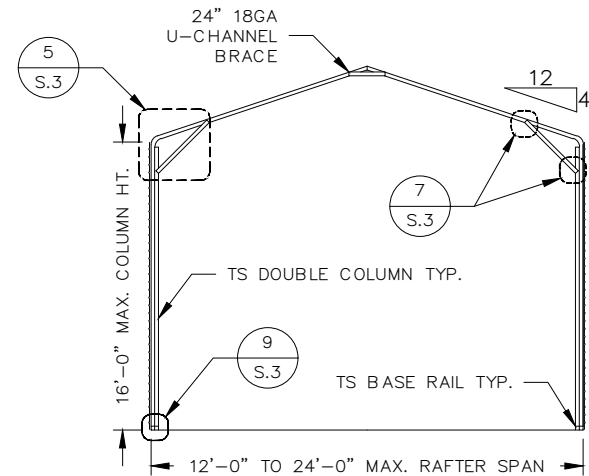
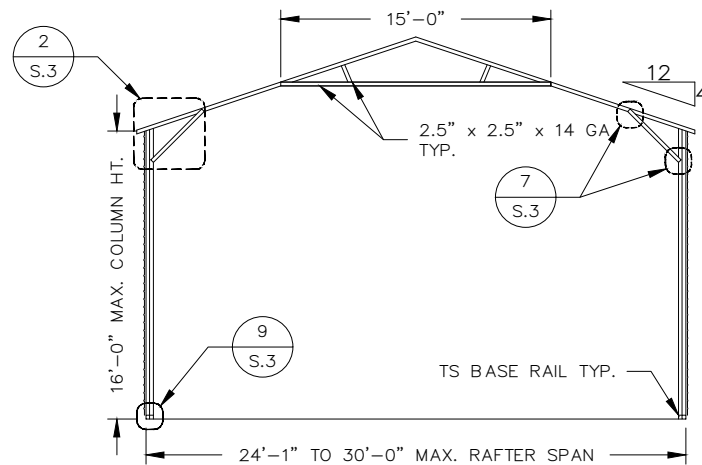
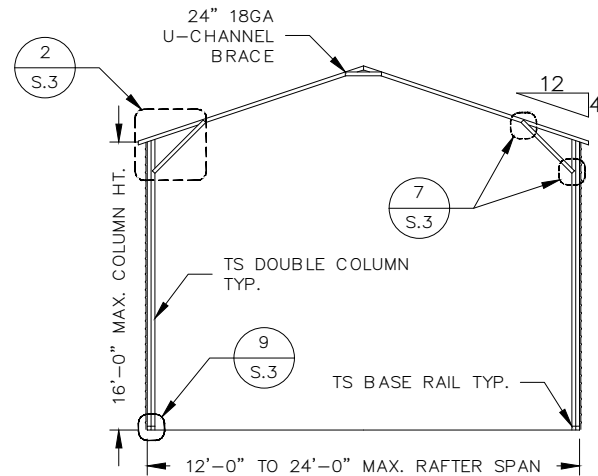
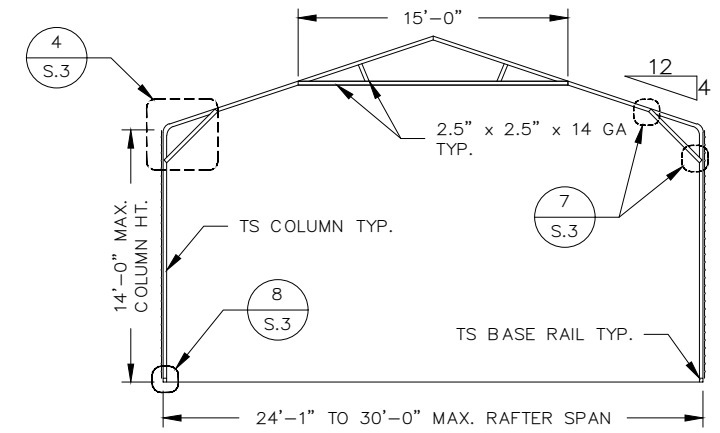
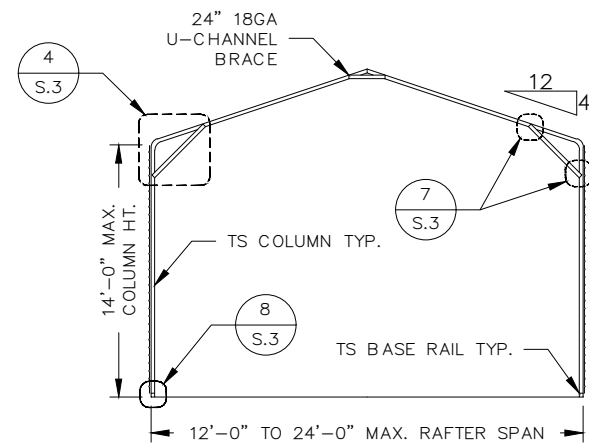
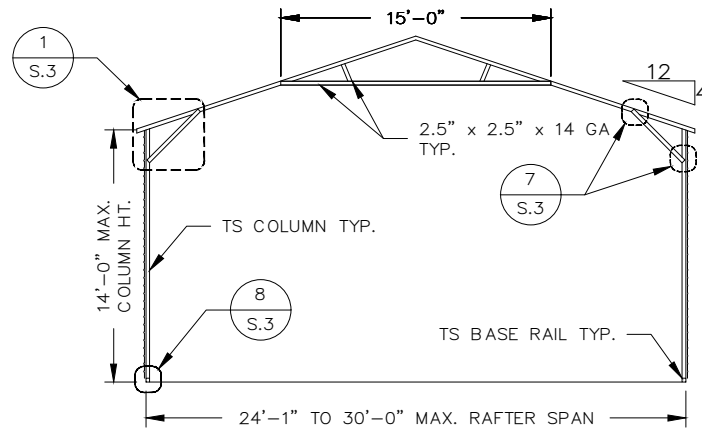
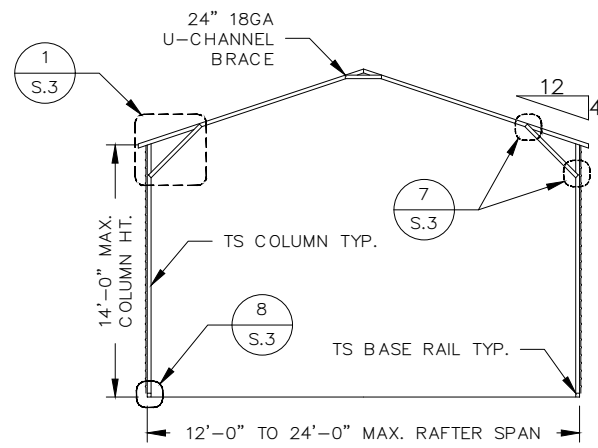
**COVINGTON ENGINEERING SERVICES**  
 272 NW COUNTRY LAKE DR, LAKE CITY, FL 32055  
 813.770.9470  
 TRAVIS@COVINGTONENG.COM

PROJECT: WHITE METAL BUILDING  
 CLIENT: MARGIE WHITE  
 LOCATION: 1123 NW JOSEPHINE ST, LAKE CITY, FL  
 JOB NO: E095

## GENERAL NOTES & SPECIFICATIONS

SCALE:  
AS NOTED

SHEET NO:  
S.1

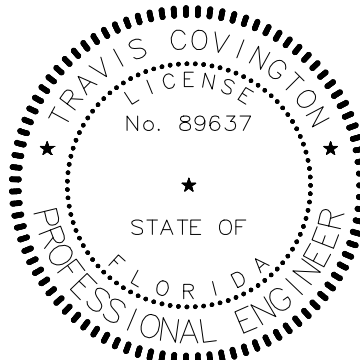


**BOX EAVE FRAMING**  
SCALE: NTS

**BOW EAVE FRAMING**  
SCALE: NTS

THIS ITEM HAS BEEN DIGITALLY  
SIGNED AND SEALED BY TRAVIS  
COVINGTON, P.E. ON THE DATE  
ADJACENT TO THE SEAL.

PRINTED COPIES OF THIS  
DOCUMENT ARE NOT CONSIDERED  
SIGNED AND SEALED AND THE  
SIGNATURE MUST BE VERIFIED ON  
ANY ELECTRONIC COPIES.

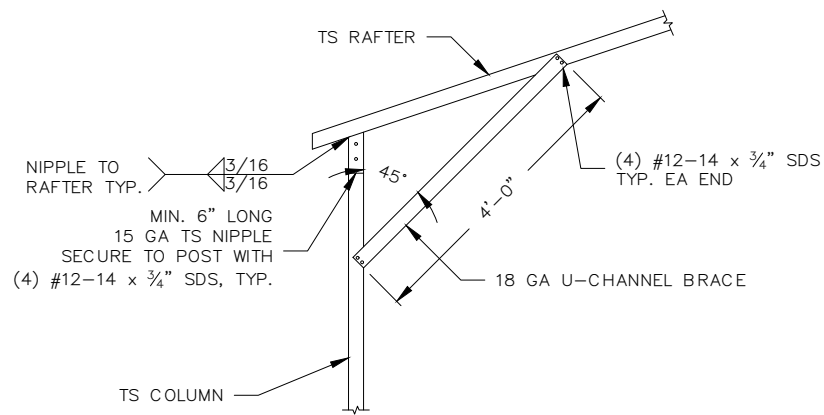


REVISIONS		
NO.	DESCRIPTION	DATE

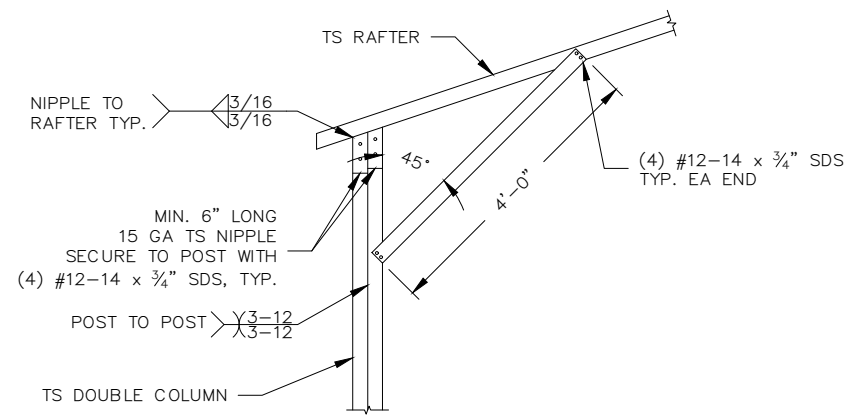
**COVINGTON ENGINEERING SERVICES**  
272 NW COUNTRY LAKE DR, LAKE CITY, FL 32055  
813.770.9470  
TRAVIS@COVINGTONENG.COM

PROJECT:	WHITE METAL BUILDING
CLIENT:	MARGIE WHITE
LOCATION:	1123 NW JOSEPHINE ST, LAKE CITY, FL
JOB NO:	E095

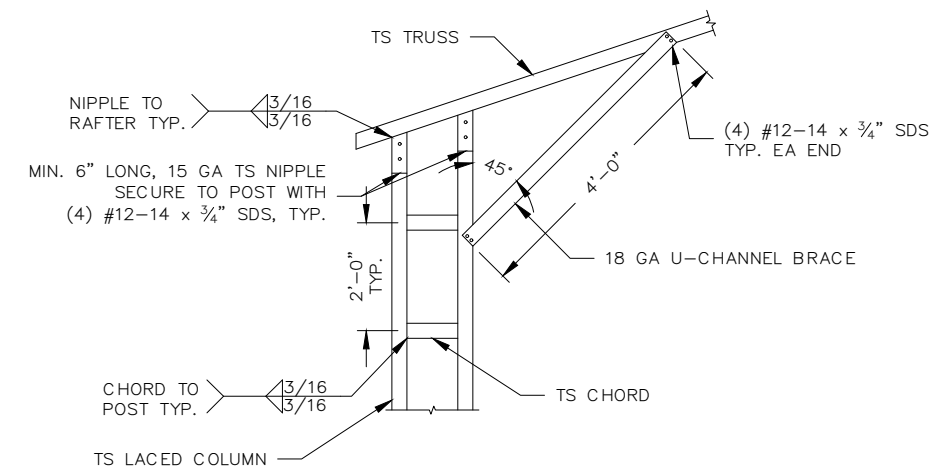
<b>BOX/BOW EAVE TYPICAL FRAMING SECTIONS</b>	
SCALE:	SHEET NO:
AS NOTED	S.2



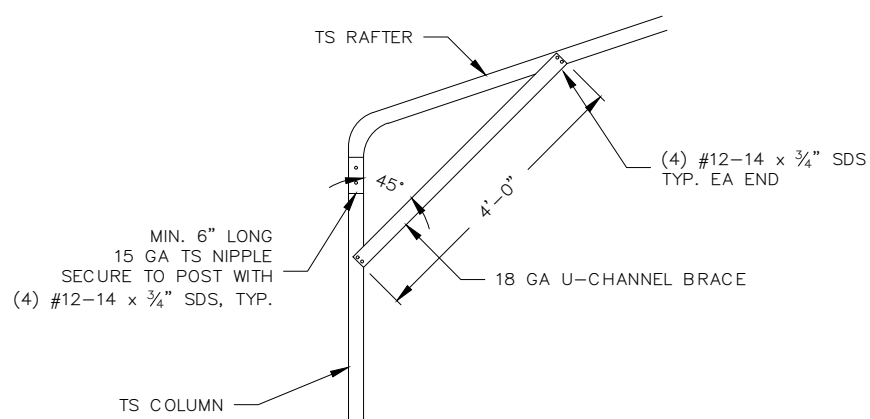
**1** BOX EAVE RAFTER/CORNER POST CONNECTION  
 MAX. 30' WIDTH, MAX. 14' EAVE HT  
 SCALE: NTS



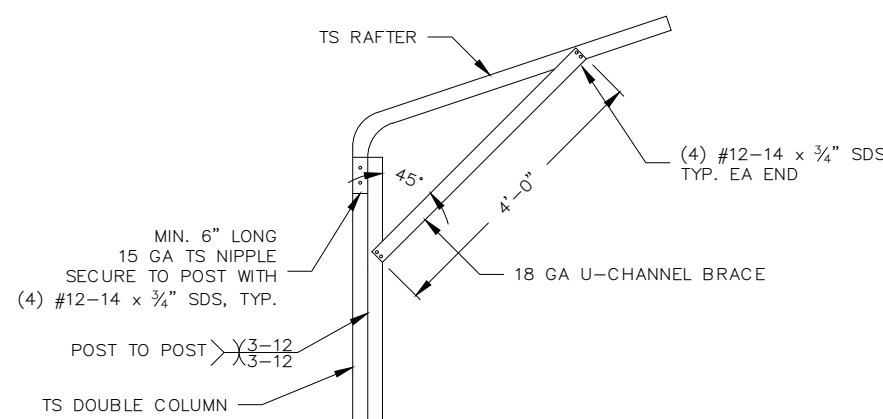
**2** BOX EAVE RAFTER/CORNER POST CONNECTION  
 MAX. 30' WIDTH, MAX. 16' EAVE HT  
 SCALE: NTS



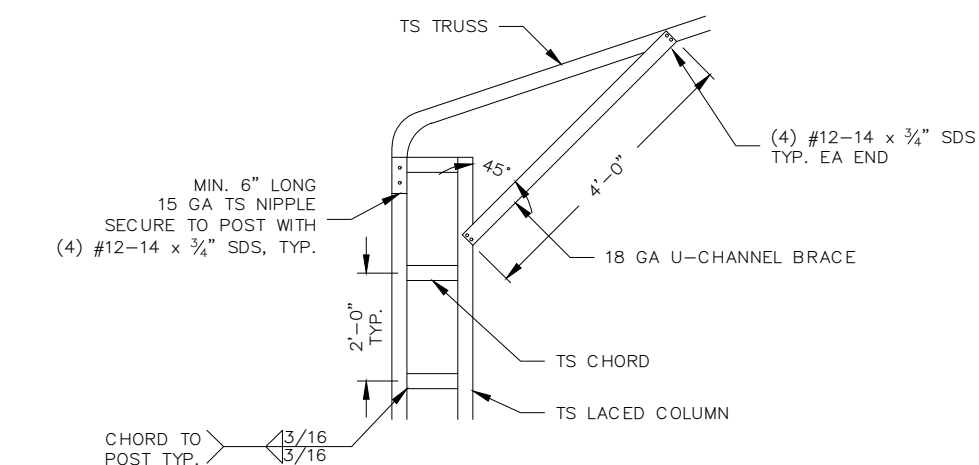
**3** BOX EAVE RAFTER/CORNER POST CONNECTION  
 MAX. 30' WIDTH, MAX. 20' EAVE HT  
 SCALE: NTS



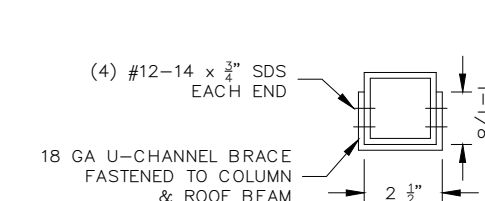
**4** BOW EAVE RAFTER/CORNER POST CONNECTION  
 MAX. 30' WIDTH, MAX. 14' EAVE HT  
 SCALE: NTS



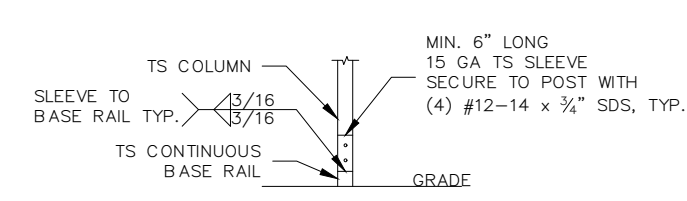
**5** BOW EAVE RAFTER/CORNER POST CONNECTION  
 MAX. 30' WIDTH, MAX. 16' EAVE HT  
 SCALE: NTS



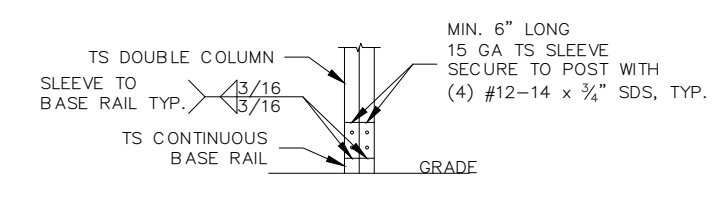
**6** BOW EAVE RAFTER/CORNER POST CONNECTION  
 MAX. 30' WIDTH, MAX. 20' EAVE HT  
 SCALE: NTS



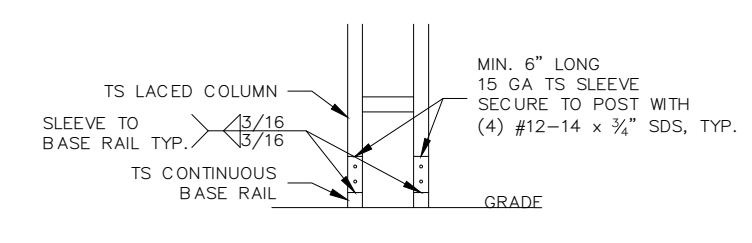
**7** BRACE CONNECTION DETAIL  
 SCALE: NTS



**8** POST/BASE RAIL CONNECTION  
 SINGLE COLUMN  
 SCALE: NTS



**9** POST/BASE RAIL CONNECTION  
 DOUBLE COLUMN  
 SCALE: NTS



**10** POST/BASE RAIL CONNECTION  
 LACED COLUMN  
 SCALE: NTS

THIS ITEM HAS BEEN DIGITALLY SIGNED AND SEALED BY TRAVIS COVINGTON, P.E. ON THE DATE ADJACENT TO THE SEAL.

PRINTED COPIES OF THIS DOCUMENT ARE NOT CONSIDERED SIGNED AND SEALED AND THE SIGNATURE MUST BE VERIFIED ON ANY ELECTRONIC COPIES.

REVISIONS		
NO.	DESCRIPTION	DATE

**COVINGTON ENGINEERING SERVICES**  
 272 NW COUNTRY LAKE DR, LAKE CITY, FL 32055  
 813.770.9470  
 TRAVIS@COVINGTONENG.COM

PROJECT: WHITE METAL BUILDING  
 CLIENT: MARGIE WHITE  
 LOCATION: 1123 NW JOSEPHINE ST, LAKE CITY, FL  
 JOB NO: E095

**CONNECTION DETAILS (1 OF 2)**

SCALE: AS NOTED  
 SHEET NO: S.3

## GENERAL NOTES

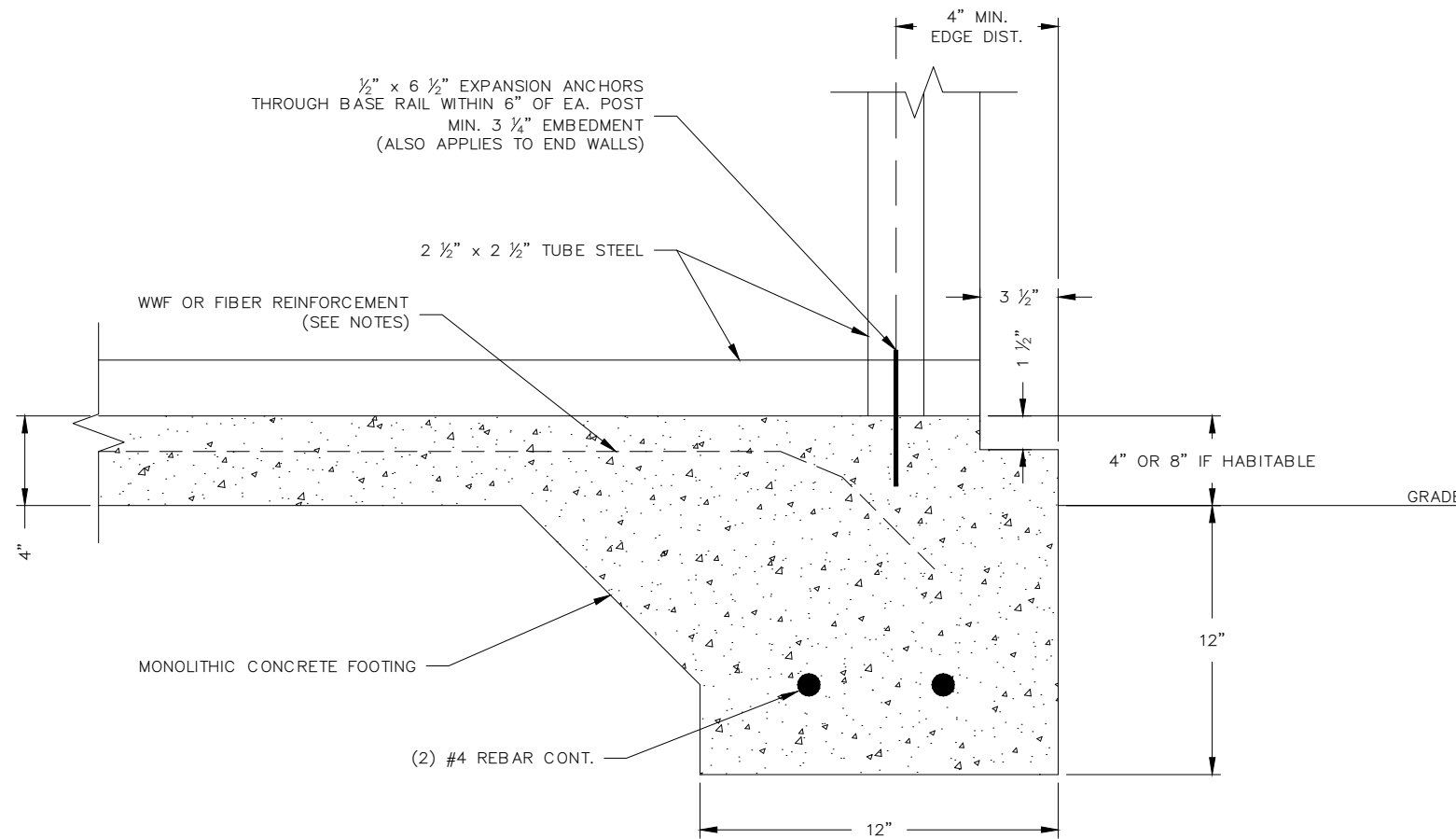
1. MINIMUM SOIL BEARING CAPACITY: 1500 PSF
2. CONCRETE STRENGTH: 3000 PSI @ 28 DAYS

## REINFORCING STEEL NOTES

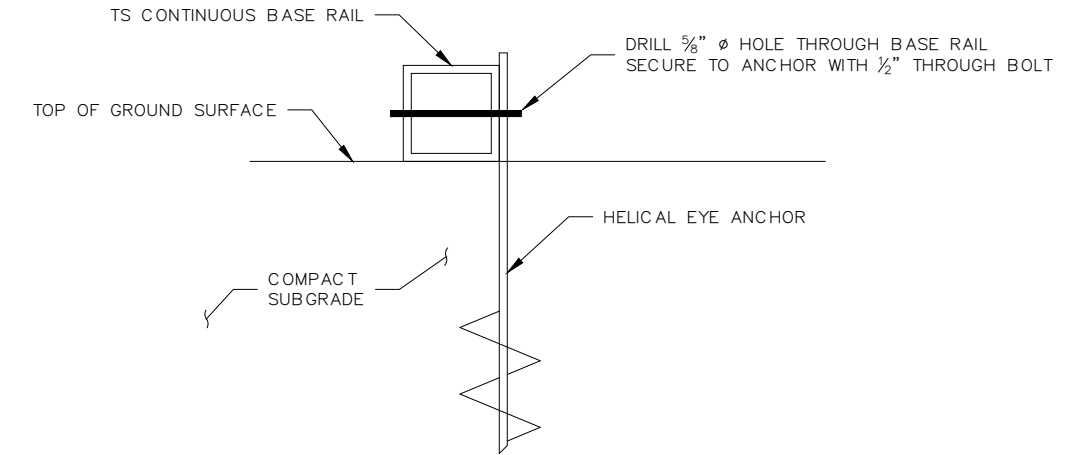
1. REBAR SHALL BE ASTM A615 GRADE 60
2. SLAB REINFORCEMENT SHALL BE WELDED WIRE FABRIC PER ASTM A185 OR FIBERGLASS FIBER REINFORCEMENT
3. CONCRETE COVER SHALL BE 3" WHERE CONCRETE IS EXPOSED TO SOIL OR WATER; 2" EVERYWHERE ELSE
4. REBAR SHALL BE BENT WITHOUT HEATING; MINIMUM BEND LENGTH = 6 x BAR DIAMETER
5. REINFORCEMENT PARTIALLY EMBEDDED IN CONCRETE SHALL NOT BE FIELD BENT

## HELICAL ANCHOR NOTES

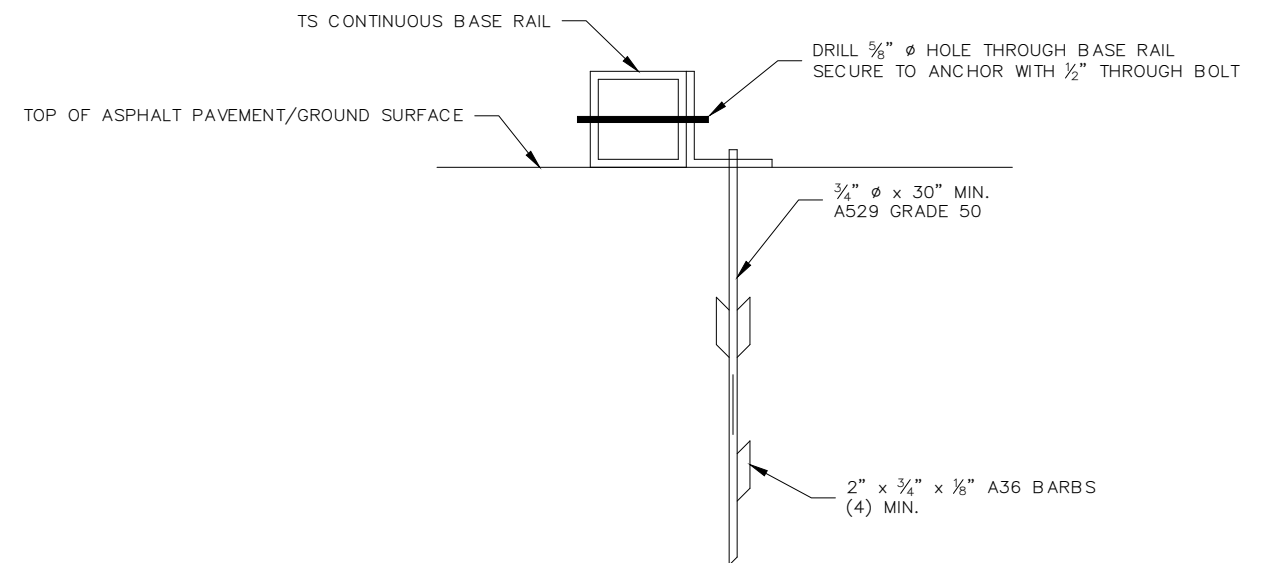
1. MINIMUM OF (2) 4" HELICES WITH 30" MIN. EMBEDMENT SHALL BE USED FOR THE FOLLOWING SOILS: VERY DENSE AND OR/OR CEMENTED SOILS, COARSE GRAVEL AND COBBLES, CALICHE, PRELOADED SILT AND CLAYS, CORALS, MEDIUM DENSE COARSE SANDS, SANDY GRAVEL, AND VERY STIFF SILTS AND CLAYS
2. MINIMUM OF (2) 6" HELICES WITH 48" MIN. EMBEDMENT SHALL BE USED FOR THE FOLLOWING SOILS: LOOSE TO MEDIUM DENSE SANDS, FIRM TO STIFF CLAYS AND SILTS, AND ALLUVIAL FILL
3. MINIMUM OF (2) 8" HELICES WITH 60" MIN. EMBEDMENT SHALL BE USED FOR THE FOLLOWING SOILS: VERY LOOSE TO MEDIUM DENSE SANDS AND FIRM TO STIFFER CLAYS AND SILTS



**A** BASE RAIL ANCHORAGE  
CONCRETE MONOLITHIC SLAB  
SCALE: NTS



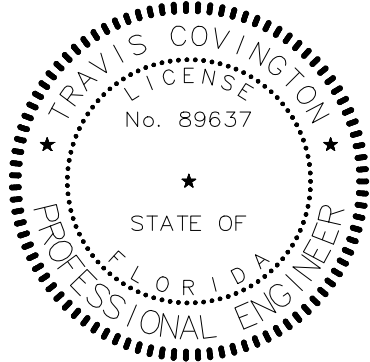
**B** GROUND BASE HELICAL ANCHORAGE  
SCALE: NTS



**C** ASPHALT BASE ANCHORAGE  
(HP9 BARBED DRIVE ANCHOR)  
SCALE: NTS

THIS ITEM HAS BEEN DIGITALLY  
SIGNED AND SEALED BY TRAVIS  
COVINGTON, P.E. ON THE DATE  
ADJACENT TO THE SEAL.

PRINTED COPIES OF THIS  
DOCUMENT ARE NOT CONSIDERED  
SIGNED AND SEALED AND THE  
SIGNATURE MUST BE VERIFIED ON  
ANY ELECTRONIC COPIES.



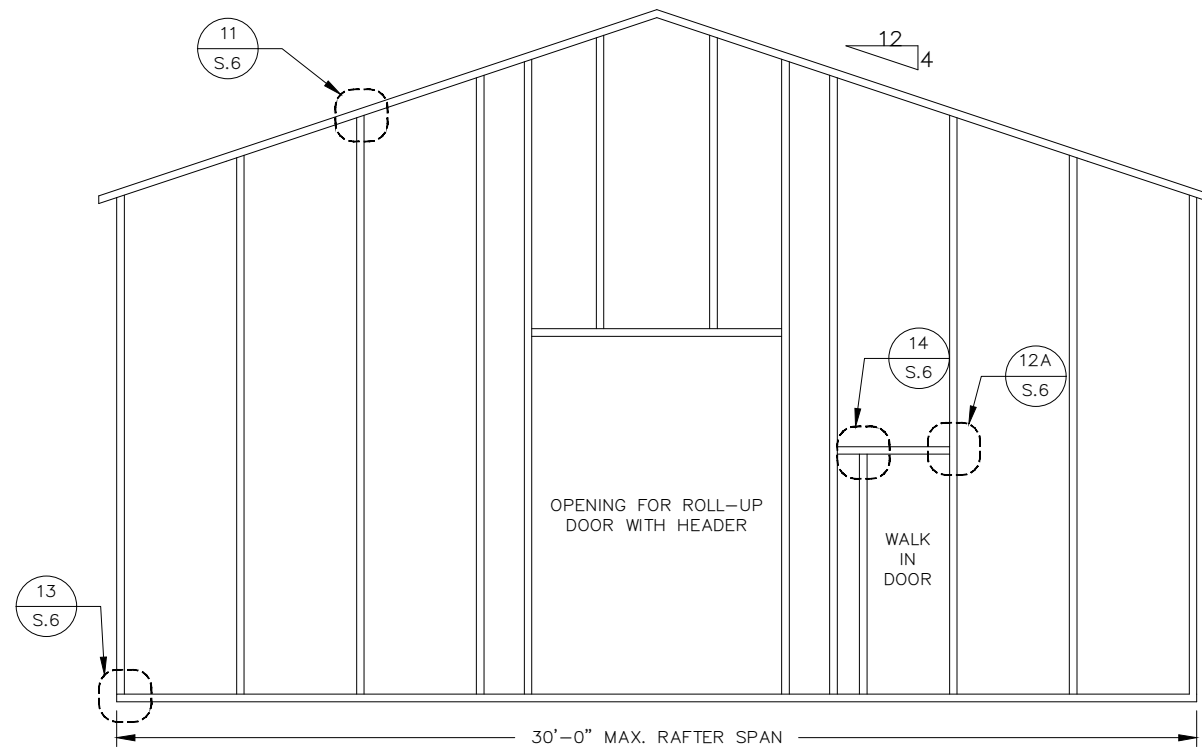
REVISIONS		
NO.	DESCRIPTION	DATE

**COVINGTON ENGINEERING SERVICES**  
272 NW COUNTRY LAKE DR, LAKE CITY, FL 32055  
813.770.9470  
TRAVIS@COVINGTONENG.COM

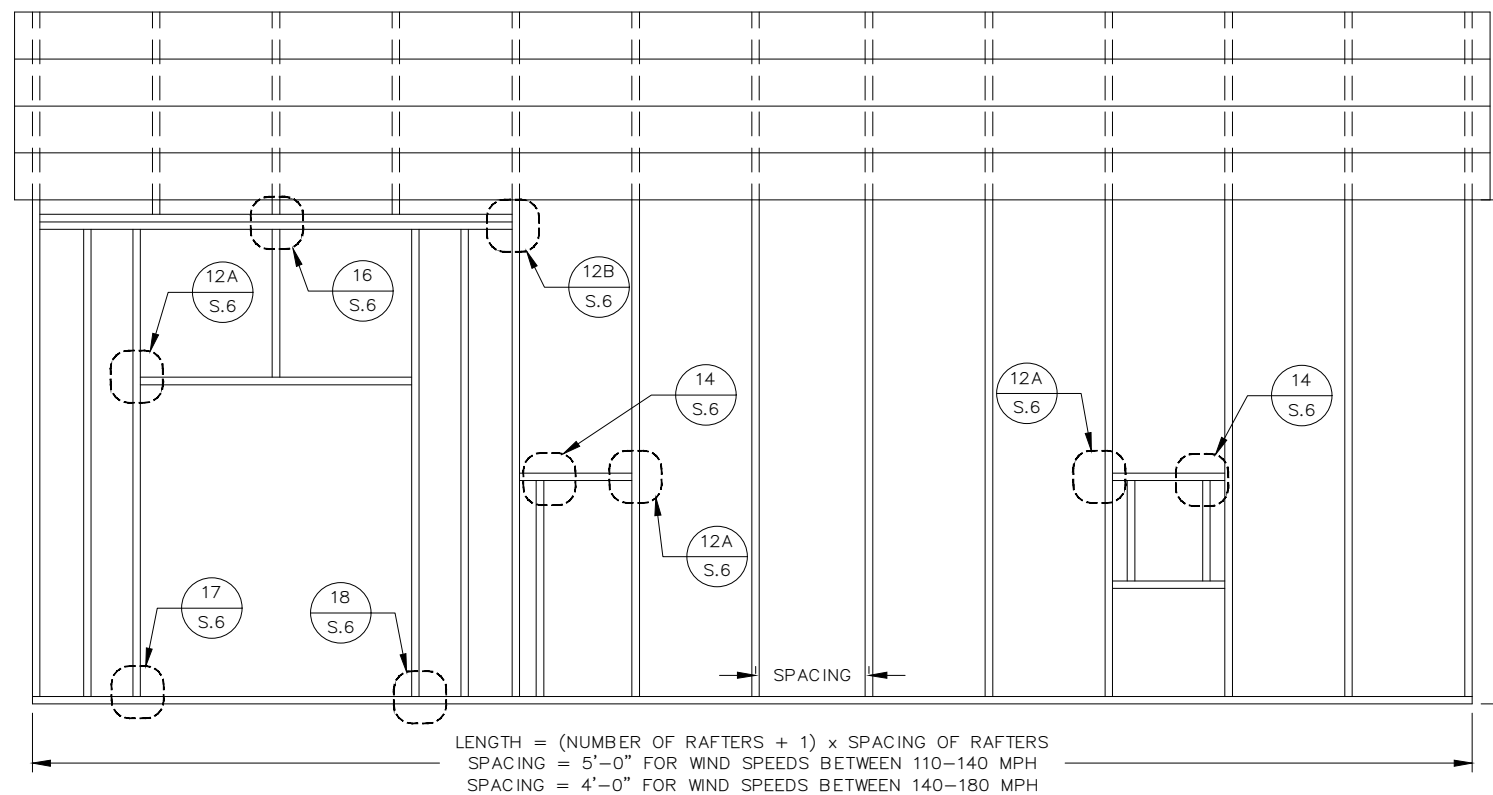
PROJECT:	WHITE METAL BUILDING
CLIENT:	MARGIE WHITE
LOCATION:	1123 NW JOSEPHINE ST, LAKE CITY, FL
JOB NO:	E095

### BASE RAIL & ANCHORAGE DETAILS

SCALE: AS NOTED  
SHEET NO: S.4



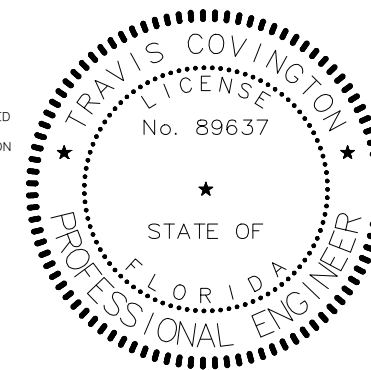
TYPICAL BOX EAVE RAFTER END WALL FRAMING  
SCALE: NTS



TYPICAL BOX EAVE RAFTER SIDE WALL FRAMING  
SCALE: NTS

THIS ITEM HAS BEEN DIGITALLY  
SIGNED AND SEALED BY TRAVIS  
COVINGTON, P.E. ON THE DATE  
ADJACENT TO THE SEAL.

PRINTED COPIES OF THIS  
DOCUMENT ARE NOT CONSIDERED  
SIGNED AND SEALED AND THE  
SIGNATURE MUST BE VERIFIED ON  
ANY ELECTRONIC COPIES.



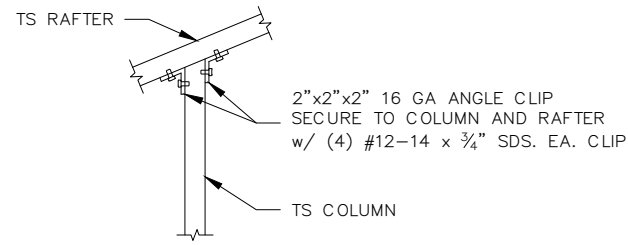
REVISIONS		
NO.	DESCRIPTION	DATE

**COVINGTON ENGINEERING SERVICES**  
272 NW COUNTRY LAKE DR, LAKE CITY, FL 32055  
813.770.9470  
TRAVIS@COVINGTONENG.COM

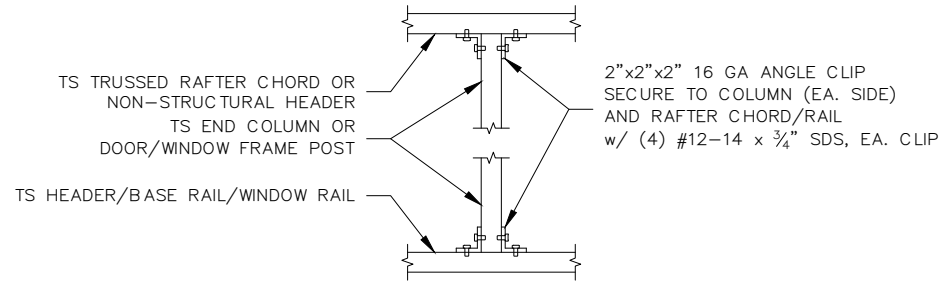
PROJECT: WHITE METAL BUILDING  
CLIENT: MARGIE WHITE  
LOCATION: 1123 NW JOSEPHINE ST, LAKE CITY, FL  
JOB NO: E095

**END WALL, SIDE WALL, &  
OPENING TYPICAL FRAMING**

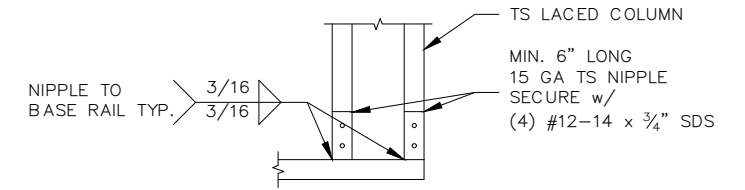
SCALE: AS NOTED  
SHEET NO: S.5



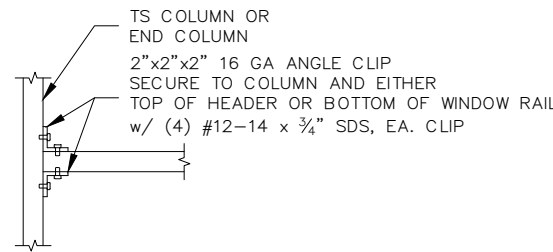
11 TYPICAL POST RAFTER CONNECTION  
END WALL FRAMING  
SCALE: NTS



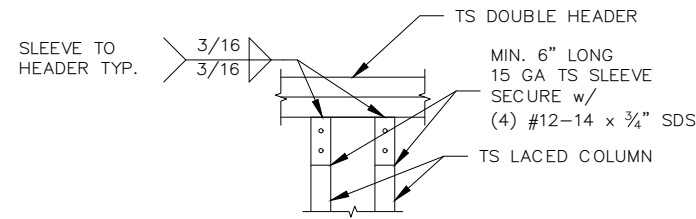
14 POST TO HEADER, BASE RAIL, OR WINDOW  
RAIL CONNECTION  
SCALE: NTS



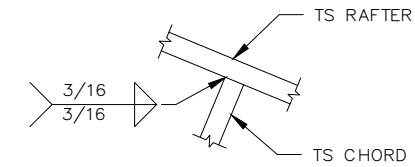
18 LACED COLUMN TO BASE RAIL CONNECTION  
SCALE: NTS



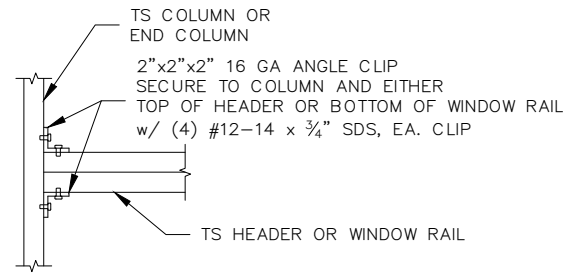
12A HEADER TO POST CONNECTION  
SCALE: NTS



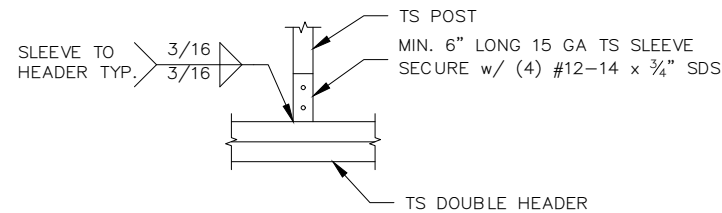
15 DOUBLE HEADER TO  
LACED COLUMN CONNECTION  
SCALE: NTS



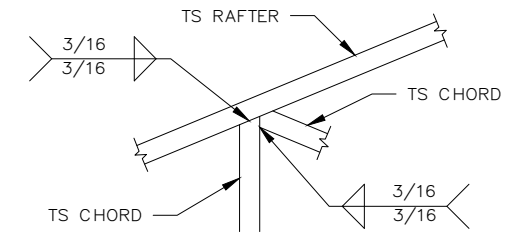
19 RAFTER TO CHORD CONNECTION  
SCALE: NTS



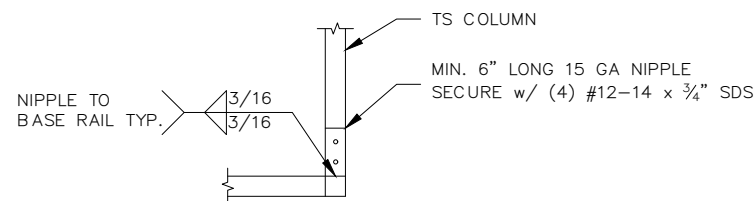
12B DOUBLE HEADER TO POST  
HORIZONTAL CONNECTION  
SCALE: NTS



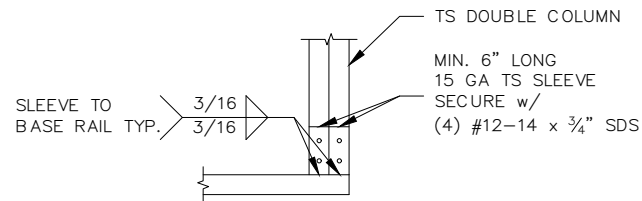
16 DOUBLE HEADER TO POST  
VERTICAL CONNECTION  
SCALE: NTS



20 RAFTER TO CHORD CONNECTION  
SCALE: NTS



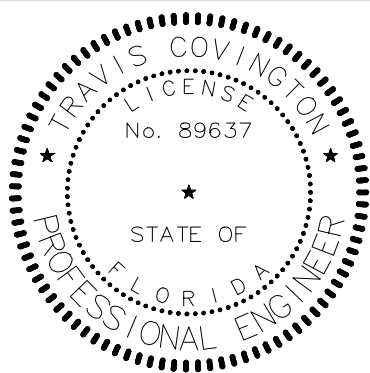
13 POST/BASE RAIL CONNECTION  
END WALL FRAMING  
SCALE: NTS



17 DOUBLE COLUMN TO BASE RAIL CONNECTION  
SCALE: NTS

THIS ITEM HAS BEEN DIGITALLY  
SIGNED AND SEALED BY TRAVIS  
COVINGTON, P.E. ON THE DATE  
ADJACENT TO THE SEAL.

PRINTED COPIES OF THIS  
DOCUMENT ARE NOT CONSIDERED  
SIGNED AND SEALED AND THE  
SIGNATURE MUST BE VERIFIED ON  
ANY ELECTRONIC COPIES.



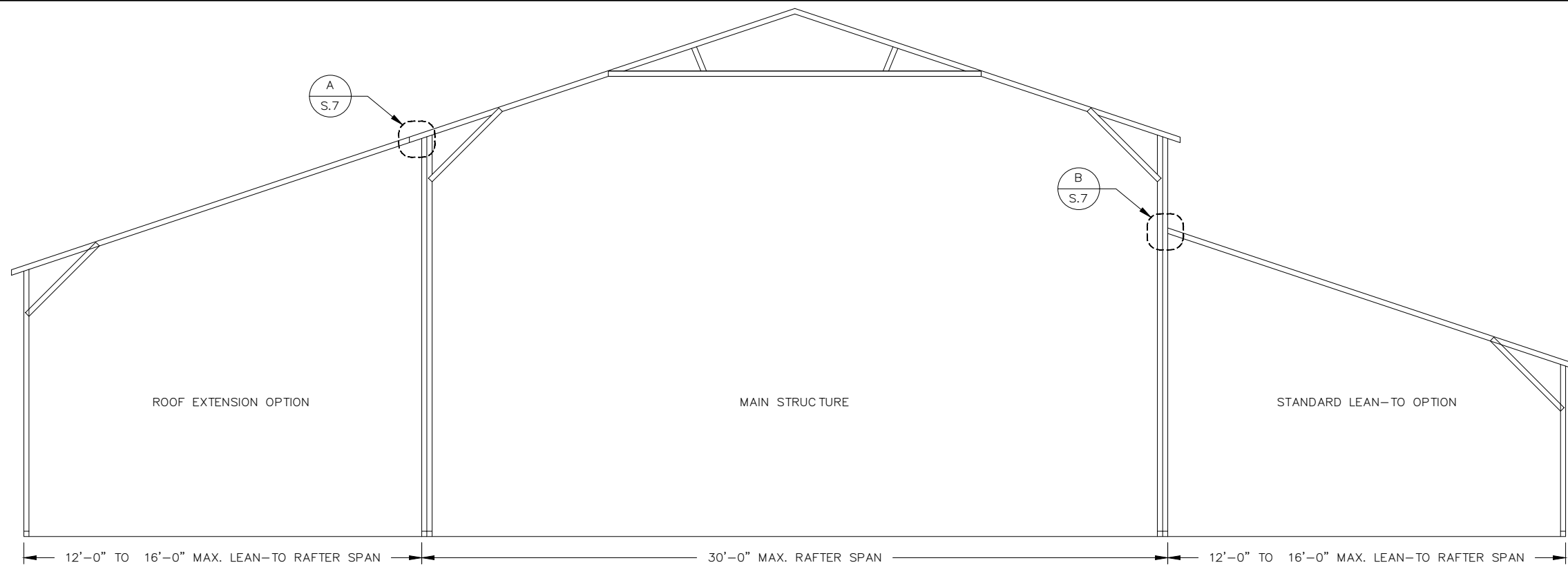
REVISIONS		
NO.	DESCRIPTION	DATE

**COVINGTON ENGINEERING SERVICES**  
272 NW COUNTRY LAKE DR, LAKE CITY, FL 32055  
813.770.9470  
TRAVIS@COVINGTONENG.COM

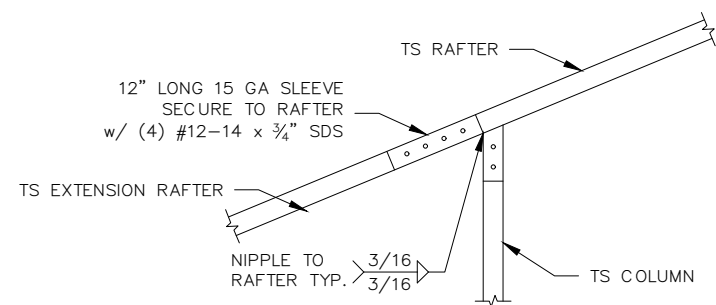
PROJECT:	WHITE METAL BUILDING
CLIENT:	MARGIE WHITE
LOCATION:	1123 NW JOSEPHINE ST, LAKE CITY, FL
JOB NO:	E095

CONNECTION DETAILS (2 OF 2)

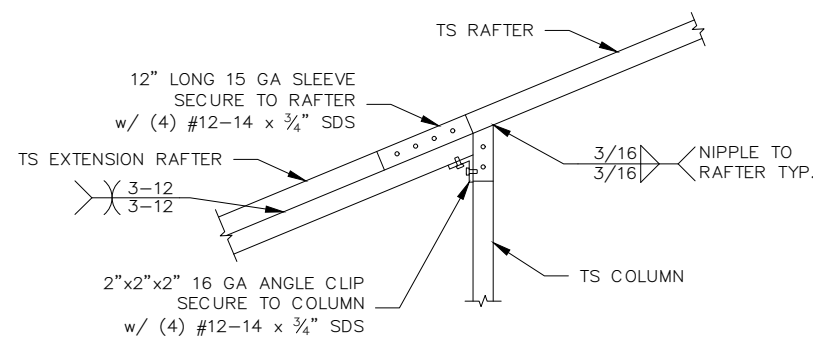
SCALE:	SHEET NO:
AS NOTED	S.6



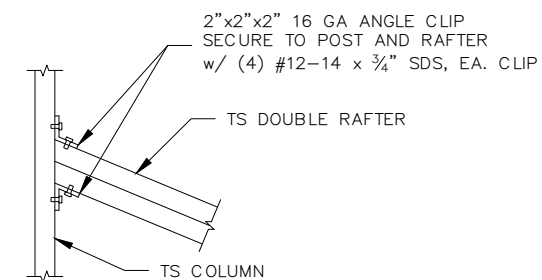
TYPICAL BOX EAVE RAFTER LEAN-TO OPTIONS  
SCALE: NTS



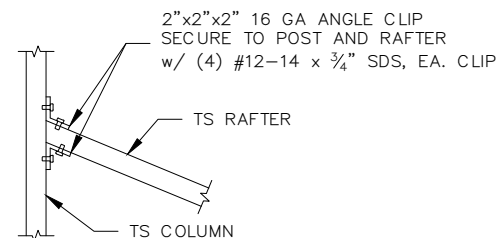
A1 SIDE EXTENSION RAFTER/POST CONNECTION  
RAFTER SPAN LESS THAN 12'-0"  
SCALE: NTS



A2 SIDE EXTENSION RAFTER/POST CONNECTION  
RAFTER SPAN BETWEEN 12'-0" AND 16'0"  
SCALE: NTS

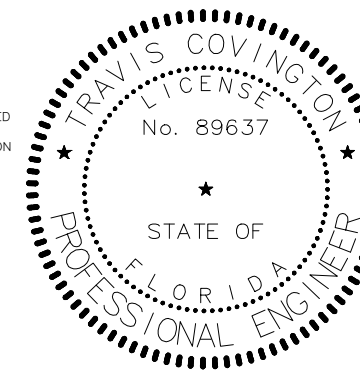


B2 LEAN-TO RAFTER/COLUMN CONNECTION  
RAFTER SPAN BETWEEN 12'-0" AND 16'-0"  
SCALE: NTS



B1 LEAN-TO RAFTER/COLUMN CONNECTION  
RAFTER SPAN LESS THAN 12'-0"  
SCALE: NTS

THIS ITEM HAS BEEN DIGITALLY  
SIGNED AND SEALED BY TRAVIS  
COVINGTON, P.E. ON THE DATE  
ADJACENT TO THE SEAL.  
  
PRINTED COPIES OF THIS  
DOCUMENT ARE NOT CONSIDERED  
SIGNED AND SEALED AND THE  
SIGNATURE MUST BE VERIFIED ON  
ANY ELECTRONIC COPIES.



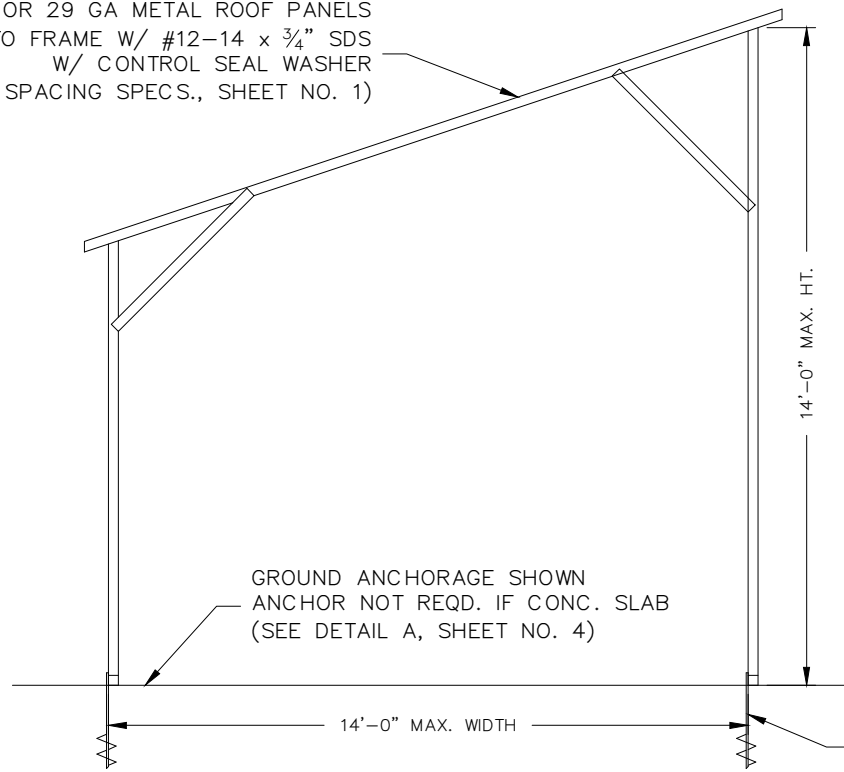
REVISIONS		
NO.	DESCRIPTION	DATE

**COVINGTON ENGINEERING SERVICES**  
272 NW COUNTRY LAKE DR, LAKE CITY, FL 32055  
813.770.9470  
TRAVIS@COVINGTONENG.COM

PROJECT: WHITE METAL BUILDING  
CLIENT: MARGIE WHITE  
LOCATION: 1123 NW JOSEPHINE ST, LAKE CITY, FL  
JOB NO: E095

**BOX EAVE LEAN-TO OPTIONS**  
SCALE: AS NOTED  
SHEET NO: S.7

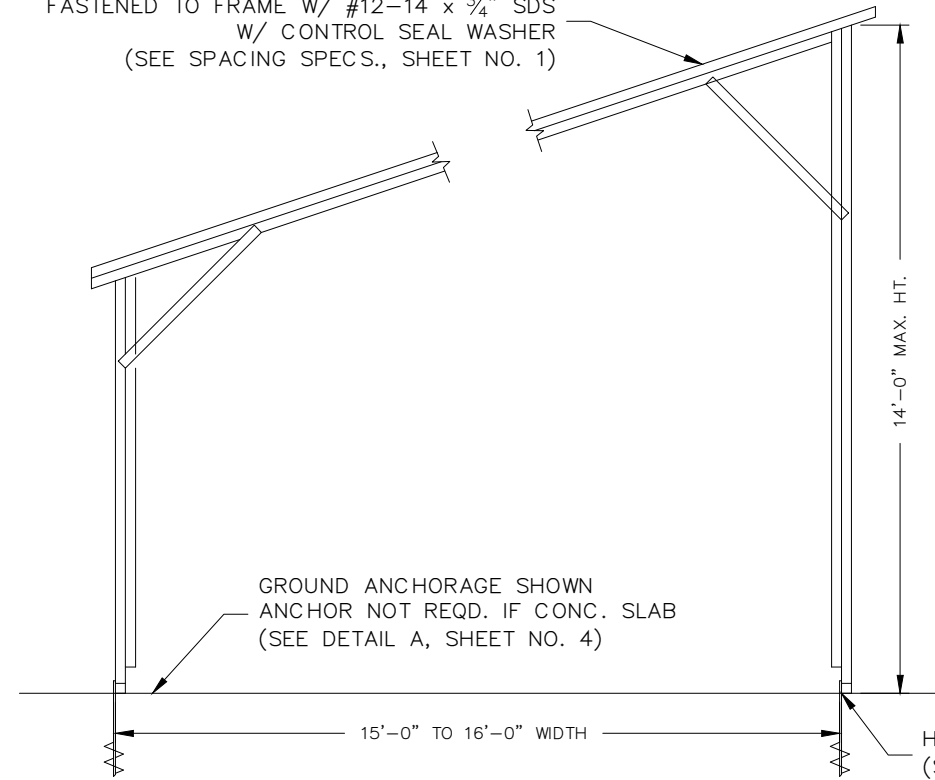
26 OR 29 GA METAL ROOF PANELS  
FASTENED TO FRAME W/ #12-14 x 3/4" SDS  
W/ CONTROL SEAL WASHER  
(SEE SPACING SPECS., SHEET NO. 1)



OPTIONAL SLOPES:  
1:12  
2:12  
3:12

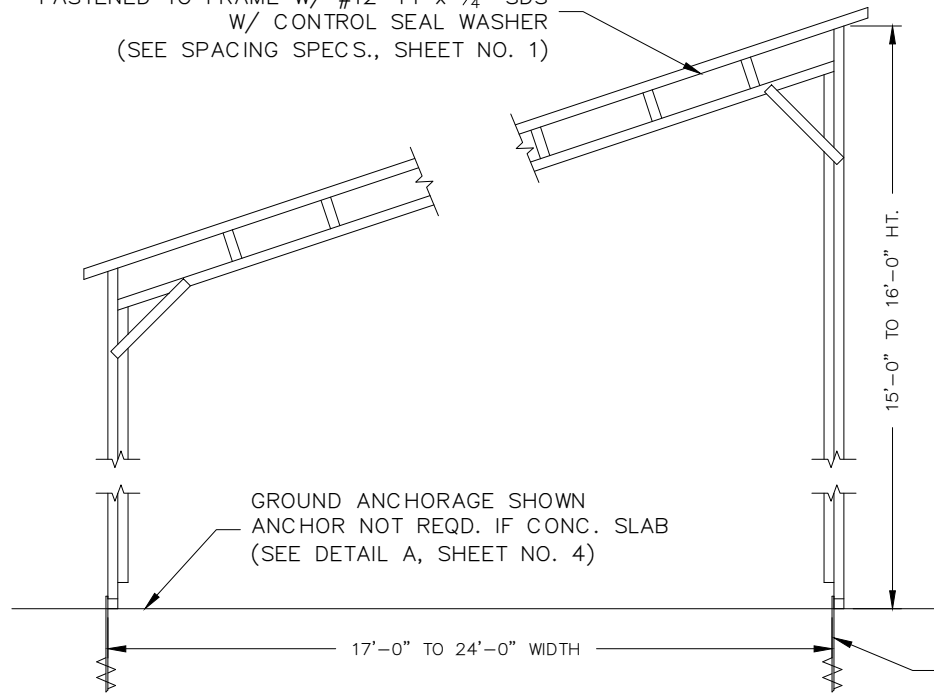
FREESTANDING LEAN-TO: MAX. 14FT WIDTH  
SCALE: NTS

26 OR 29 GA METAL ROOF PANELS  
FASTENED TO FRAME W/ #12-14 x 3/4" SDS  
W/ CONTROL SEAL WASHER  
(SEE SPACING SPECS., SHEET NO. 1)



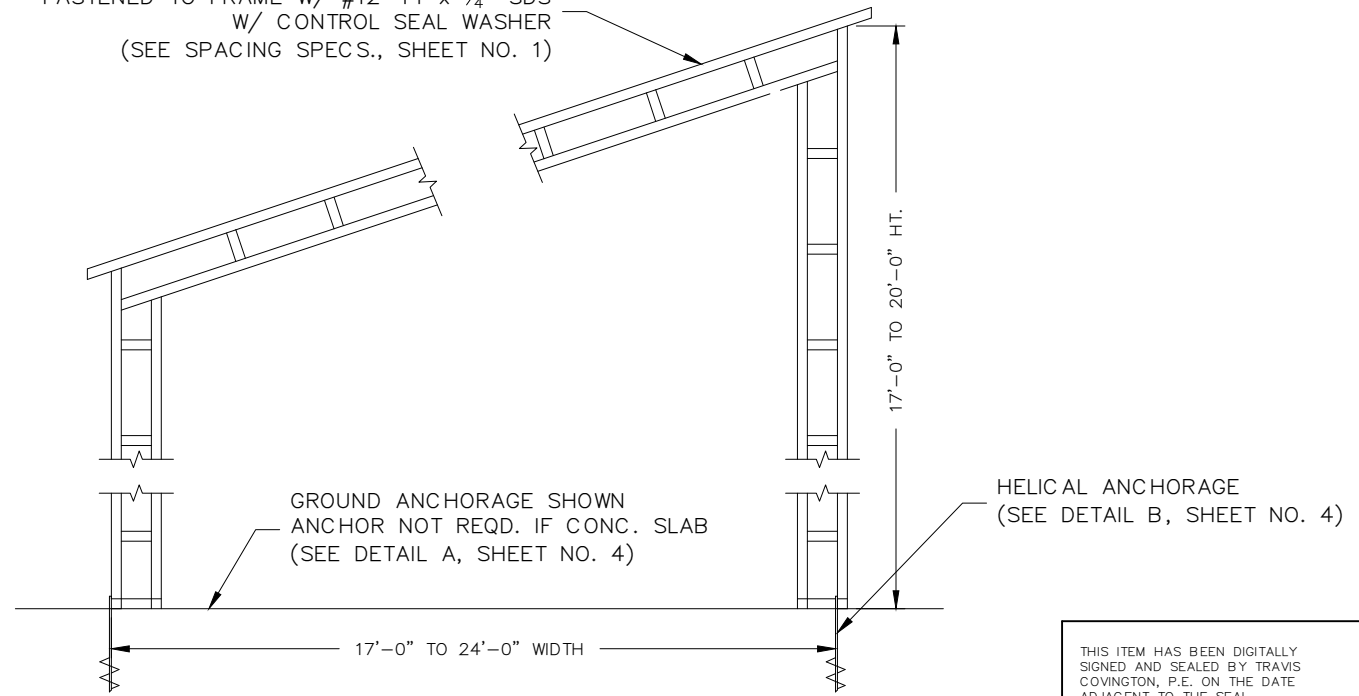
FREESTANDING LEAN-TO: 15FT TO 16FT WIDTH  
SCALE: NTS

26 OR 29 GA METAL ROOF PANELS  
FASTENED TO FRAME W/ #12-14 x 3/4" SDS  
W/ CONTROL SEAL WASHER  
(SEE SPACING SPECS., SHEET NO. 1)



FREESTANDING LEAN-TO: 17FT TO 24FT WIDTH  
SCALE: NTS

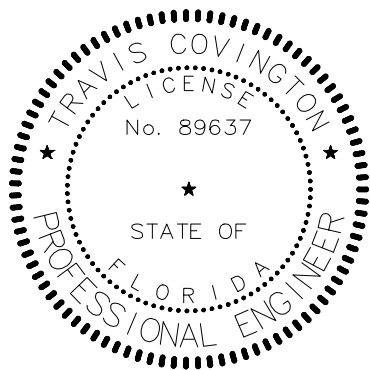
26 OR 29 GA METAL ROOF PANELS  
FASTENED TO FRAME W/ #12-14 x 3/4" SDS  
W/ CONTROL SEAL WASHER  
(SEE SPACING SPECS., SHEET NO. 1)



FREESTANDING LEAN-TO: 17FT TO 24FT WIDTH  
SCALE: NTS

THIS ITEM HAS BEEN DIGITALLY  
SIGNED AND SEALED BY TRAVIS  
COVINGTON, P.E. ON THE DATE  
ADJACENT TO THE SEAL.

PRINTED COPIES OF THIS  
DOCUMENT ARE NOT CONSIDERED  
SIGNED AND SEALED AND THE  
SIGNATURE MUST BE VERIFIED ON  
ANY ELECTRONIC COPIES.

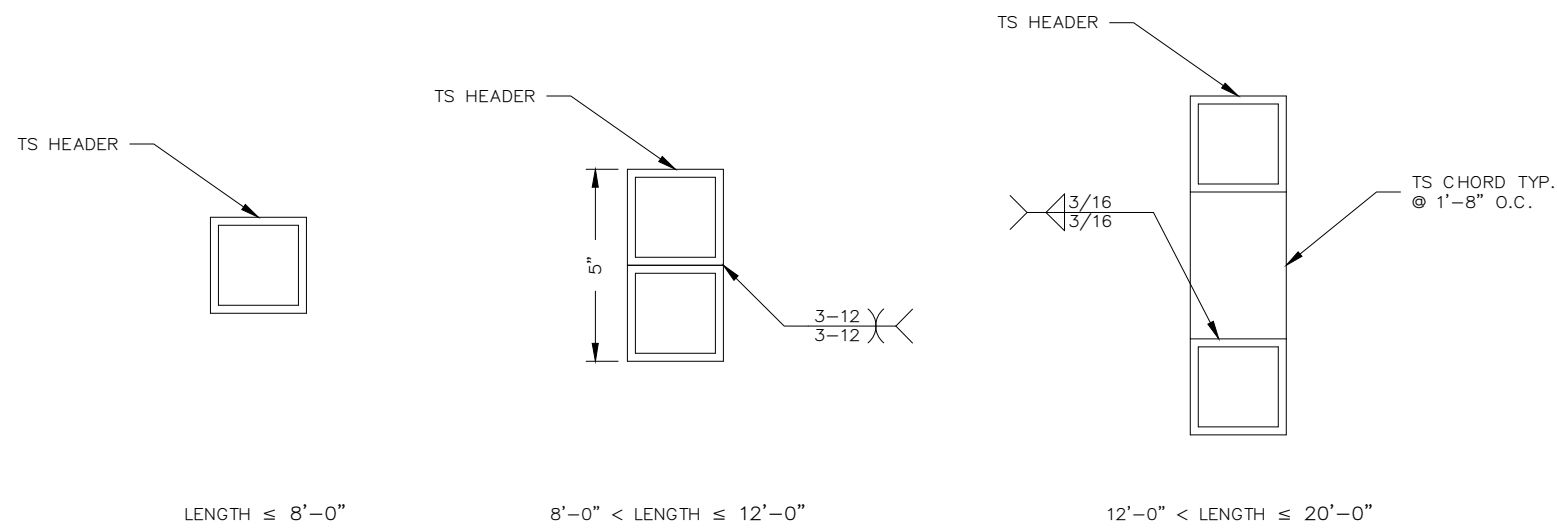
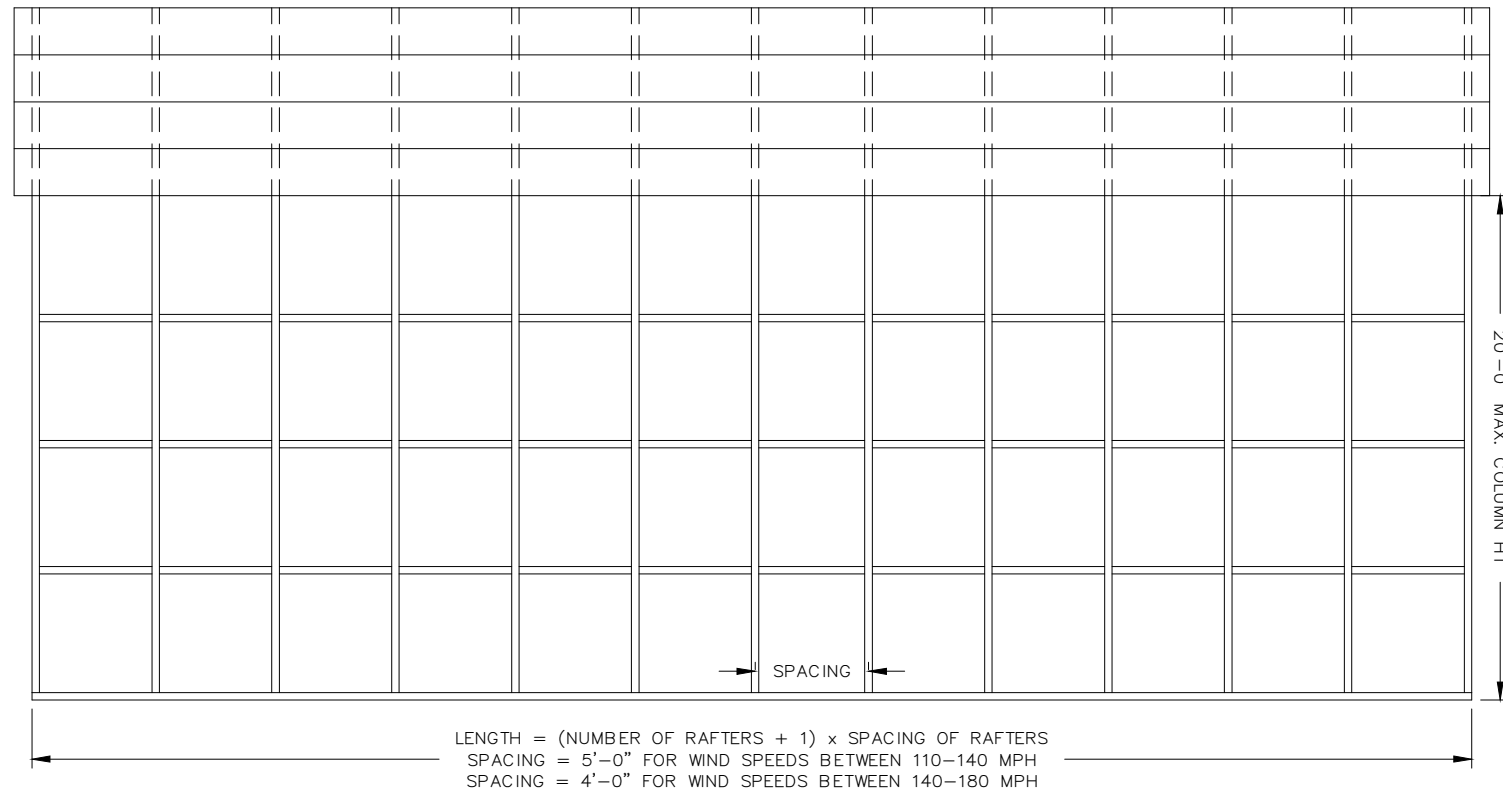


REVISIONS		
NO.	DESCRIPTION	DATE

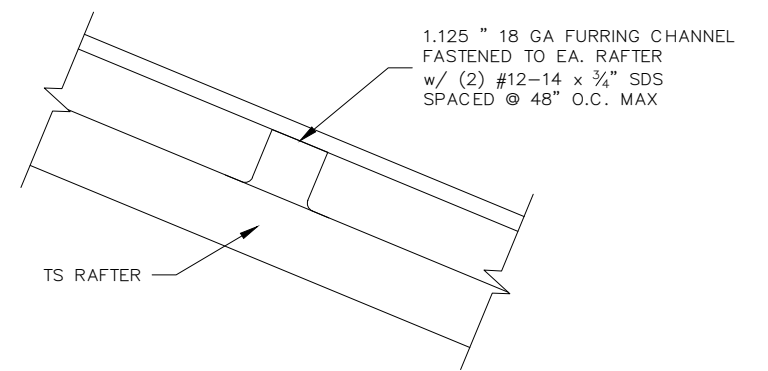
**COVINGTON ENGINEERING SERVICES**  
272 NW COUNTRY LAKE DR, LAKE CITY, FL 32055  
813.770.9470  
TRAVIS@COVINGTONENG.COM

PROJECT:	WHITE METAL BUILDING
CLIENT:	MARGIE WHITE
LOCATION:	1123 NW JOSEPHINE ST, LAKE CITY, FL
JOB NO:	E095

FREESTANDING LEAN-TO OPTIONS	
SCALE:	SHEET NO:
AS NOTED	S.8



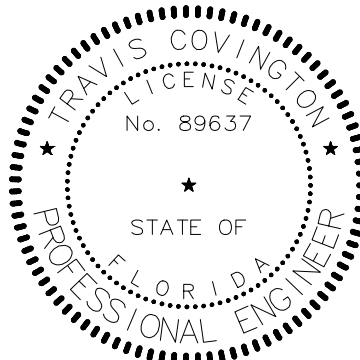
OPTIONAL SIDE WALL HEADERS  
SCALE: NTS



VERTICAL ROOF PANEL ATTACHMENT  
SCALE: NTS

THIS ITEM HAS BEEN DIGITALLY SIGNED AND SEALED BY TRAVIS COVINGTON, P.E. ON THE DATE ADJACENT TO THE SEAL.

PRINTED COPIES OF THIS DOCUMENT ARE NOT CONSIDERED SIGNED AND SEALED AND THE SIGNATURE MUST BE VERIFIED ON ANY ELECTRONIC COPIES.



REVISIONS		
NO.	DESCRIPTION	DATE

**COVINGTON ENGINEERING SERVICES**  
272 NW COUNTRY LAKE DR, LAKE CITY, FL 32055  
813.770.9470  
TRAVIS@COVINGTONENG.COM

PROJECT:	WHITE METAL BUILDING
CLIENT:	MARGIE WHITE
LOCATION:	1123 NW JOSEPHINE ST, LAKE CITY, FL
JOB NO:	E095

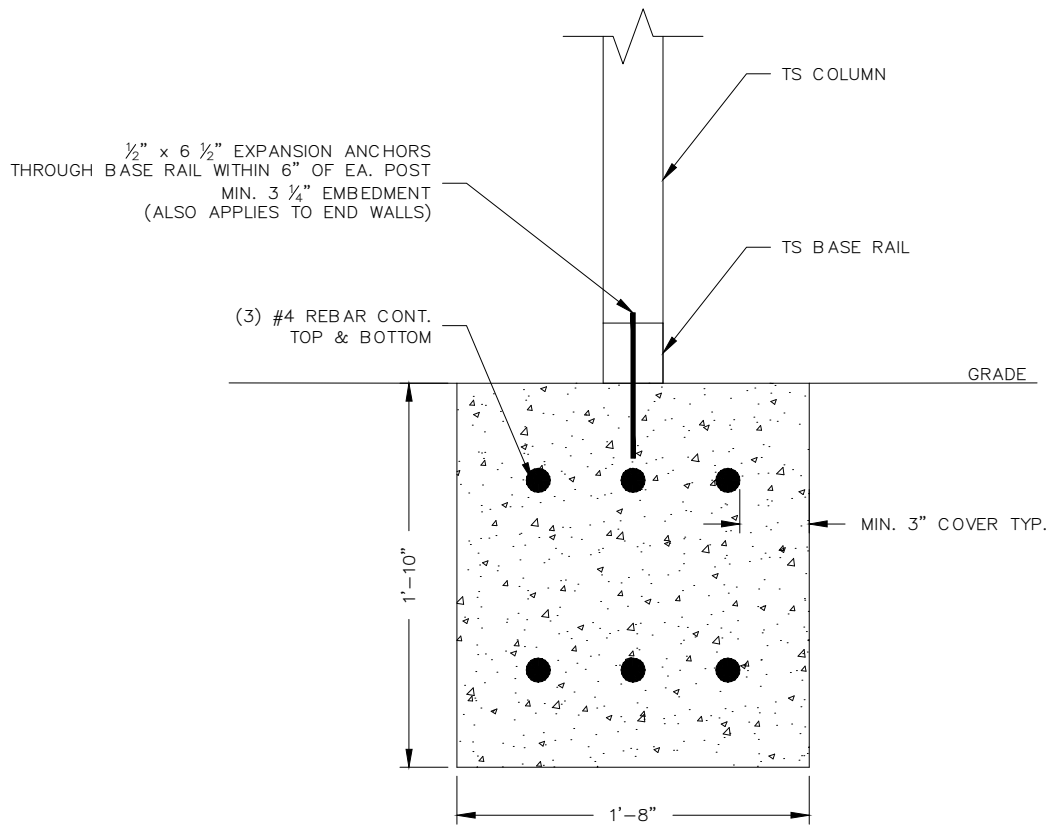
VERTICAL ROOF-SIDING OPTION	
SCALE:	SHEET NO:
AS NOTED	S.9

**GENERAL NOTES**

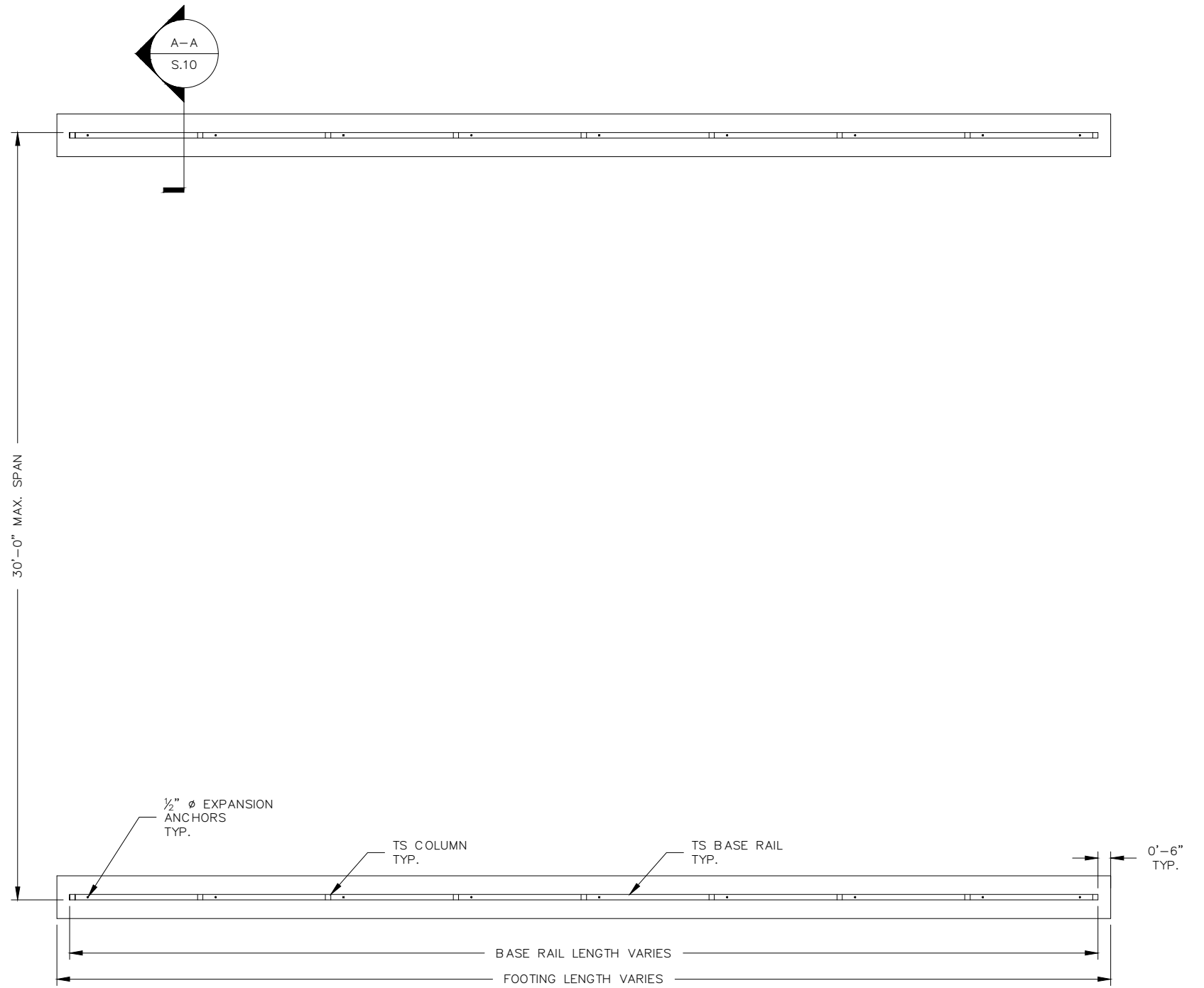
1. MINIMUM SOIL BEARING CAPACITY: 1500 PSF
2. CONCRETE STRENGTH: 3000 PSI @ 28 DAYS

**REINFORCING STEEL NOTES**

1. REBAR SHALL BE ASTM A615 GRADE 60
2. SLAB REINFORCEMENT SHALL BE WELDED WIRE FABRIC PER ASTM A185 OR FIBERGLASS FIBER REINFORCEMENT
3. CONCRETE COVER SHALL BE 3" WHERE CONCRETE IS EXPOSED TO SOIL OR WATER; 2" EVERYWHERE ELSE
4. REBAR SHALL BE BENT WITHOUT HEATING; MINIMUM BEND LENGTH = 6 x BAR DIAMETER
5. REINFORCEMENT PARTIALLY EMBEDDED IN CONCRETE SHALL NOT BE FIELD BENT



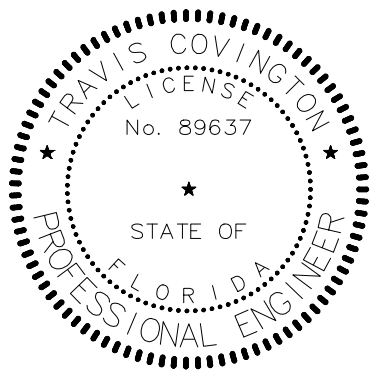
**A-A CONCRETE STRIP FOOTING DETAIL**  
SCALE: NTS



**CONCRETE STRIP FOOTING PLAN**  
SCALE: NTS

THIS ITEM HAS BEEN DIGITALLY SIGNED AND SEALED BY TRAVIS COVINGTON, P.E. ON THE DATE ADJACENT TO THE SEAL.

PRINTED COPIES OF THIS DOCUMENT ARE NOT CONSIDERED SIGNED AND SEALED AND THE SIGNATURE MUST BE VERIFIED ON ANY ELECTRONIC COPIES.



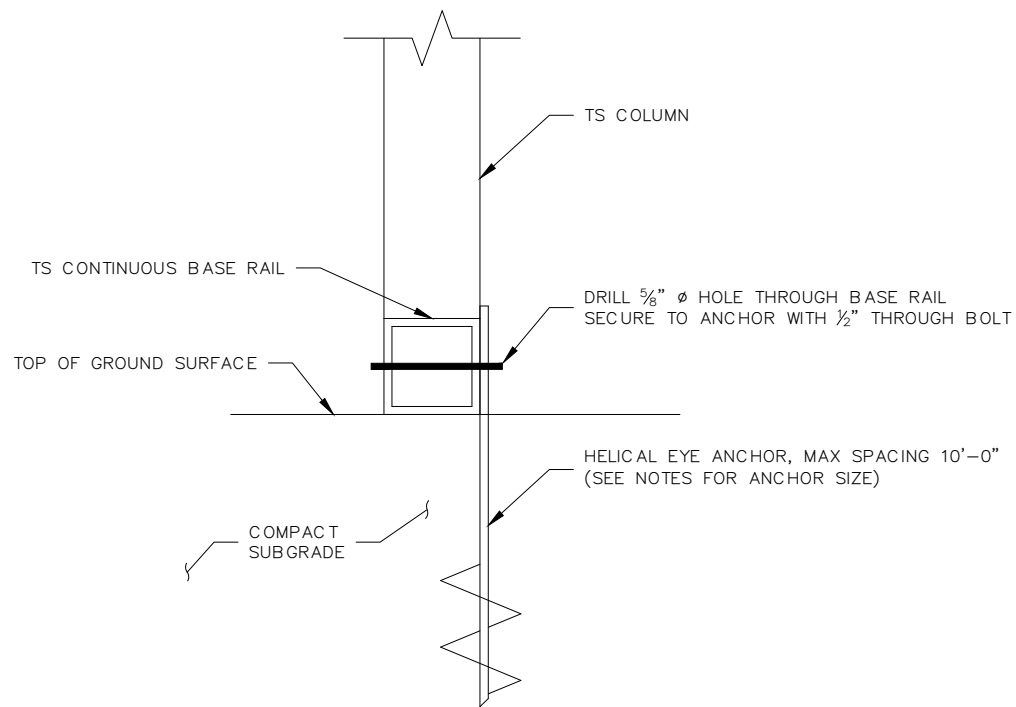
REVISIONS		
NO.	DESCRIPTION	DATE

<b>COVINGTON ENGINEERING SERVICES</b>		PROJECT: WHITE METAL BUILDING
272 NW COUNTRY LAKE DR, LAKE CITY, FL 32055		CLIENT: MARGIE WHITE
813.770.9470		LOCATION: 1123 NW JOSEPHINE ST, LAKE CITY, FL
TRAVIS@COVINGTONENG.COM		JOB NO: E095

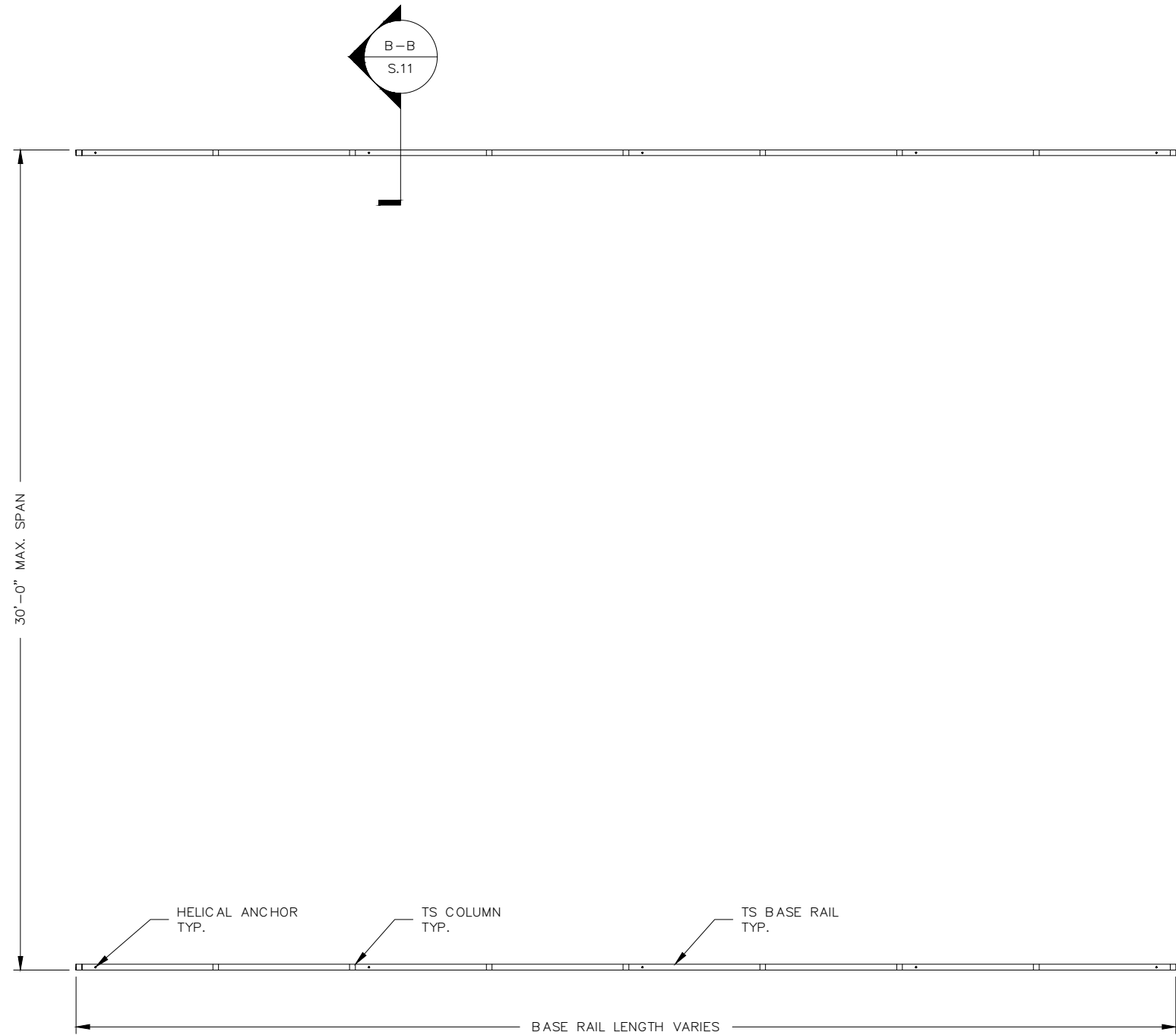
<b>OPTIONAL CONCRETE STRIP FOOTING</b>	
SCALE: AS NOTED	SHEET NO: S.10

# HELICAL ANCHOR NOTES

1. MINIMUM OF (2) 4" HELICES WITH 30" MIN. EMBEDMENT SHALL BE USED FOR THE FOLLOWING SOILS: VERY DENSE AND OR/OR CEMENTED SOILS, COARSE GRAVEL AND COBBLES, CALICHE, PRELOADED SILT AND CLAYS, CORALS, MEDIUM DENSE COARSE SANDS, SANDY GRAVEL, AND VERY STIFF SILTS AND CLAYS
2. MINIMUM OF (2) 6" HELICES WITH 48" MIN. EMBEDMENT SHALL BE USED FOR THE FOLLOWING SOILS: LOOSE TO MEDIUM DENSE SANDS, FIRM TO STIFF CLAYS AND SILTS, AND ALLUVIAL FILL
3. MINIMUM OF (2) 8" HELICES WITH 60" MIN. EMBEDMENT SHALL BE USED FOR THE FOLLOWING SOILS: VERY LOOSE TO MEDIUM DENSE SANDS AND FIRM TO STIFFER CLAYS AND SILTS



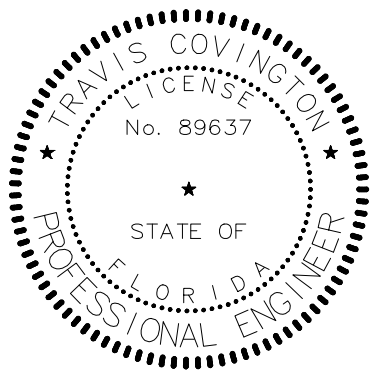
**B-B** HELICAL ANCHORAGE DETAIL  
SCALE: NTS



HELICAL ANCHORAGE PLAN  
SCALE: NTS

THIS ITEM HAS BEEN DIGITALLY SIGNED AND SEALED BY TRAVIS COVINGTON, P.E. ON THE DATE ADJACENT TO THE SEAL.

PRINTED COPIES OF THIS DOCUMENT ARE NOT CONSIDERED SIGNED AND SEALED AND THE SIGNATURE MUST BE VERIFIED ON ANY ELECTRONIC COPIES.



REVISIONS		
NO.	DESCRIPTION	DATE

**COVINGTON ENGINEERING SERVICES**  
272 NW COUNTRY LAKE DR, LAKE CITY, FL 32055  
813.770.9470  
TRAVIS@COVINGTONENG.COM

PROJECT:	WHITE METAL BUILDING
CLIENT:	MARGIE WHITE
LOCATION:	1123 NW JOSEPHINE ST, LAKE CITY, FL
JOB NO:	E095

OPTIONAL HELICAL ANCHORAGE	
SCALE:	SHEET NO:
AS NOTED	S.11