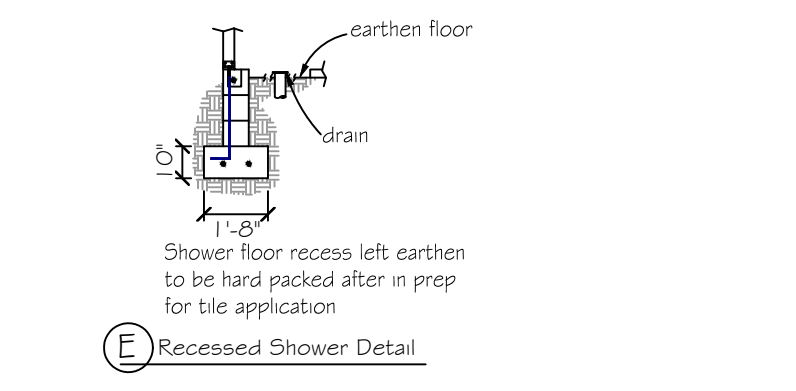
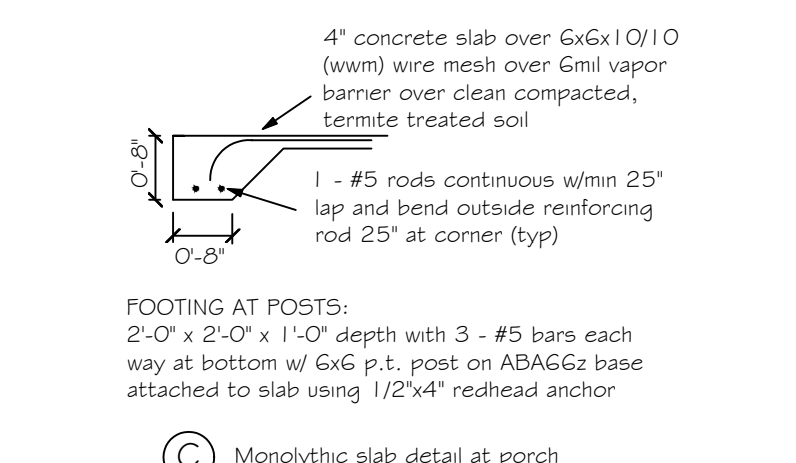
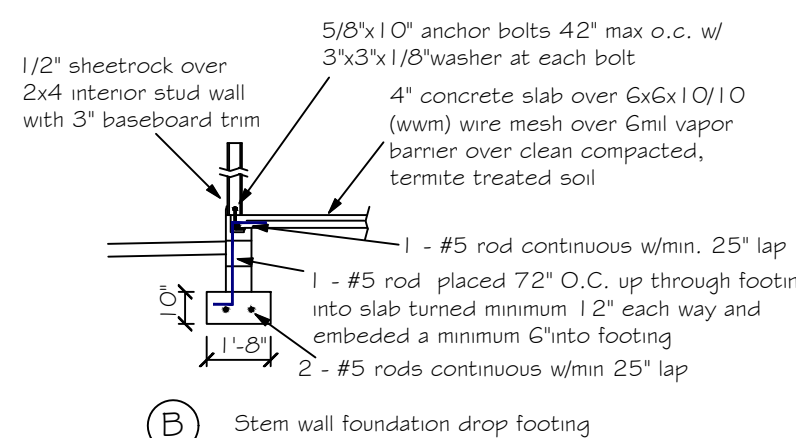
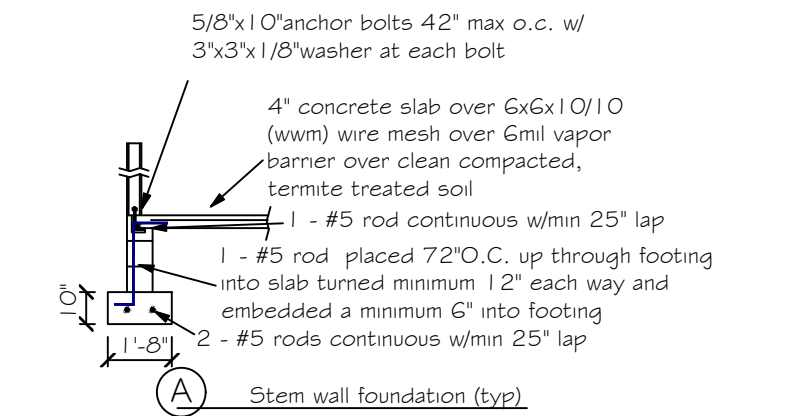


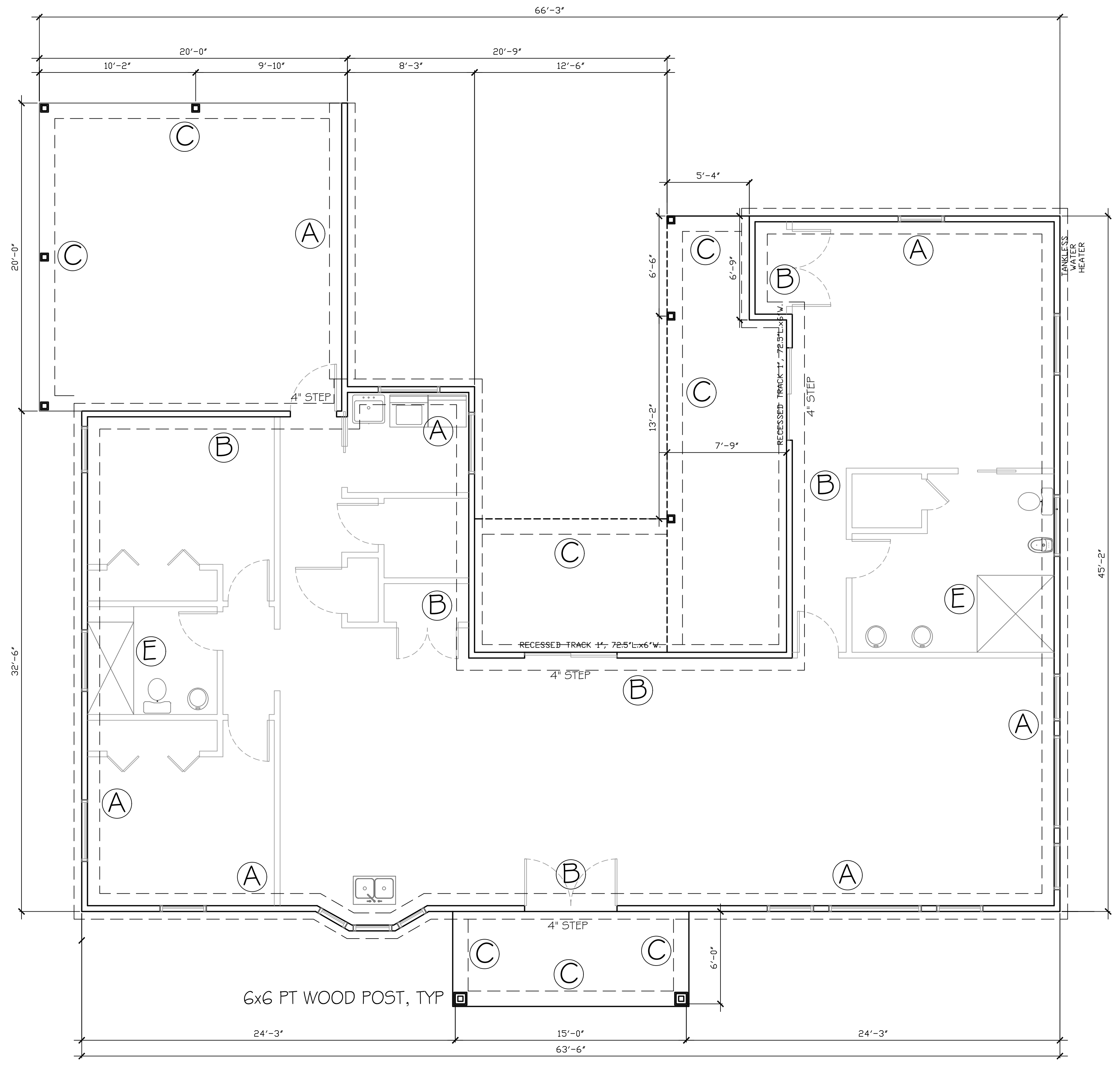
**DESIGN SPECIFICATIONS**

- DESIGN CODES:  
2020 FLORIDA BUILDING CODE (FBC) - RESIDENTIAL  
ASCE 7-10, 2005  
NDS, ACI, ATIC, AMFA, APA, ICC 600-08
- OCCUPANCY: RESIDENTIAL GROUP R-3 (ONE- AND TWO-FAMILY DWELLINGS)
- DESIGN LOADS:  
ROOF TRUSS:  
LL 20 PSF TOP CHORD  
LL 0 PSF BOTTOM CHORD  
DL 7 PSF TOP CHORD  
DL 5 PSF BOTTOM CHORD
- ROOF CONVENTIONAL FRAMING:  
LL 20 PSF RAFTERS  
LL 20 PSF CEILING JOISTS  
DL 10 PSF RAFTERS  
DL 10 PSF CEILING JOISTS  
DL 30 PSF ATTICS WITH STORAGE  
DL 10 PSF ATTICS W/O STORAGE
- FLOORS:  
LL 40 PSF TOP CHORD  
LL 0 PSF BOTTOM CHORD  
DL 10 PSF TOP CHORD  
DL 5 PSF BOTTOM CHORD
- MAXIMUM HEIGHT OF STRUCTURE: 17'-11 1/2"
- NUMBER OF STORIES: 1
- TYPE OF CONSTRUCTION: TYPE V-6, UNPROTECTED, UNSPRINKLERED
- WIND ZONE INFORMATION:  
BUILDING: ENCLOSED STRUCTURE  
ULTIMATE DESIGN WIND SPEED: 130 MPH  
NOMINAL DESIGN WIND SPEED: 110 MPH  
BUILDING RISK CATEGORY: II  
WIND EXPOSURE CATEGORY: C  
INTERNAL PRESSURE COEFFICIENT: 0.18 CGpi ±



**FOUNDATION NOTES**

- REFER TO ARCHITECTURAL & BUILDING PLANS FOR ACTUAL DIMENSIONS, RECESSES IN SLAB, STEP DOWNS, ETC.
- CONTRACTOR SHALL VERIFY ALL ROUGH PLUMBING LOCATIONS WITH OWNER PRIOR TO POURING SLAB.
- THE SLAB SHALL BE 4" CONCRETE SLAB REINFORCED w/ 6X6-1.4/1.4 WELDED WIRE MESH PLACED ON CHAIRS 1 1/2" DEPTH OR FIBER MESH CONCRETE, 6-MIL POLY VAPOR BARRIER w/ 6" LAPS SEALED w/ POLY TAPE OVER TERMITE-TREATED & COMPACTED FILL.
- BOTTOM OF EXTERIOR FOOTINGS SHALL BE A MINIMUM OF 12" BELOW UNDISTURBED SOIL OR ENGINEERED FILL PER FBC-RES. SECTION R403.1.4



FOUNDATION PLAN  
SCALE: 1/4" = 1'

Professional Engineer Seal for Carol Chadwick, PE, State of Florida, License No. 13667. The seal includes the text 'FLORIDA PROFESSIONAL ENGINEER' and 'CAROL CHADWICK, P.E.'.

PROJECT INFORMATION:  
PROJECT: JIMENEZ RESIDENCE FOUNDATION DETAILS  
DATE: 04/17/2021  
DRAWN BY: [Name]

REVISIONS:  
1. [Description]

Carol Chadwick, PE  
en=Carol Chadwick, PE  
o=This item has been electronically signed and sealed by Carol Chadwick, PE using a digital signature, ou, email=ccpwy@jagmail.com, cs=US  
2021.04.17 09:42:17 -0400

