

APPLICABLE CODES AND STANDARDS

- 2023 FLORIDA BUILDING CODE (8TH EDITION)
- 2021 INTERNATIONAL BUILDING CODE
- ASCE 7-16: MINIMUM DESIGN LOADS ON BUILDINGS AND OTHER STRUCTURES
- AISC STEEL CONSTRUCTION MANUAL (15TH EDITION)
- ACI 318-14: BUILDING CODE REQUIREMENTS FOR STRUCTURAL CONCRETE
- TMS 402-16: BUILDING CODE REQUIREMENTS FOR MASONRY STRUCTURES
- AWS D1.1: STRUCTURAL WELDING

INSTALLATION NOTES AND SPECIFICATIONS

- MAXIMUM ROOF PITCH 4:12
- END WALL COLUMNS (POST) AND SIDE WALL COLUMNS ARE IDENTICAL, U.N.O.
- 29 GA METAL PANELS SHALL BE FASTENED DIRECTLY TO 2.5" x 2.5" x 14 GA TUBE STEEL (TS) FRAMING MEMBERS FOR VERTICAL PANELS. 29 GA METAL PANELS SHALL BE FASTENED DIRECTLY TO 18 GA HAT CHANNELS, U.N.O.
- FASTENER SPACING ALONG RAFTERS OR PURLINS, AND POSTS SHALL BE AS FOLLOWS: INTERIOR - 9" O.C., END - 6" O.C.
- FASTENERS SHALL BE #12-14 x 3/4" SELF-DRILLING SCREWS (SDS). USE CONTROL SEAL WASHER WITH EXTERIOR FASTENERS. APPLICABLE ONLY FOR MEAN ROOF HEIGHT OF 20'-0" OR LESS AND ROOF SLOPES OF 18' (4:12 PITCH) OR LESS. SPACING REQUIREMENTS FOR OTHER ROOF HEIGHTS/SLOPES MAY VARY.
- ANCHORS SHALL BE INSTALLED THROUGH THE BASE RAIL WITHIN 6" OF EACH RAFTER COLUMN ALONG SIDES AND ENDS.
- STANDARD GROUND ANCHORS (SOIL NAILS) CONSISTING OF 30" LONG #4 REBAR WITH WELDED NUT MAY BE USED IN SUITABLE SOILS AND WIND SPEEDS LESS THAN OR EQUAL TO 145 MPH.

DESIGN LOADS

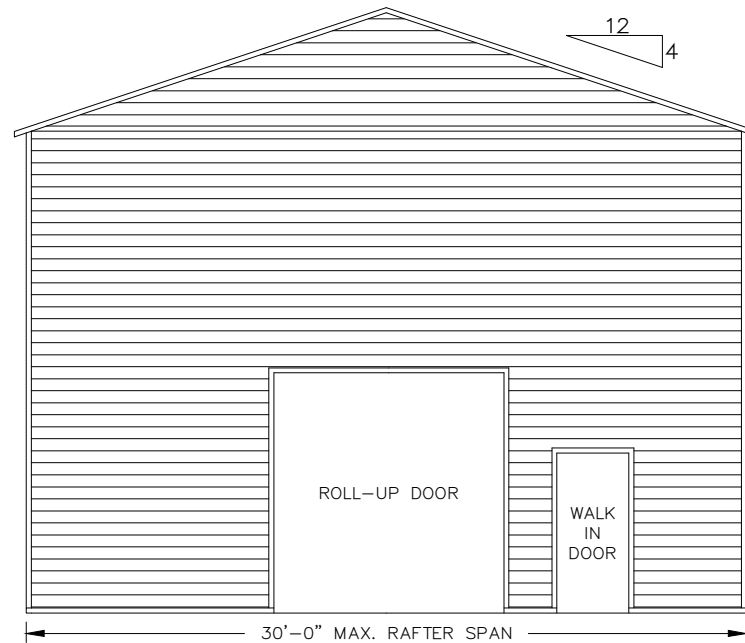
DEAD LOAD	15 PSF
LIVE LOAD	20 PSF
NOMINAL WIND SPEED	108 MPH
ULTIMATE WIND SPEED	140 MPH
WIND EXPOSURE	B
RISK CATEGORY	II
ENCLOSURE CLASSIFICATION	ENCLOSED
OCCUPANCY CLASSIFICATION	S-2



SPACING SPECIFICATIONS						
RISK CATEGORY	WIND EXPOSURE CATEGORY	ULT WIND SPEED (MPH)	NOMINAL WIND SPEED (MPH)	MAXIMUM RAFTER/BOW AND END POST SPACING (FT)	FASTENER SPACING O.C. FOR RAFTERS/PURLINS & POSTS (IN)	
					INTERIOR	END
I, II, III, or IV	B, C, or D	115-150	89-116	5	6	6
		151-180	117-139	4	6	6

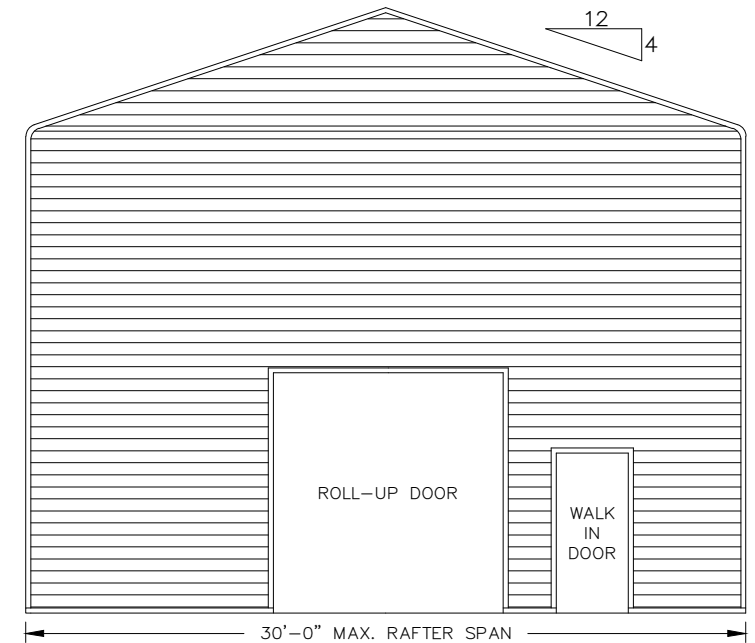
- NOTES:
- SPECIFICATIONS APPLICABLE TO 26 OR 29 GA METAL PANELS FASTENED DIRECTLY TO 12 OR 14 GA STEEL TUBE FRAMES.
 - FASTENERS CONSIST OF #12-14 x 3/4" SELF-DRILLING SCREWS WITH CONTROL SEAL WASHER.
 - SPECIFICATIONS APPLICABLE ONLY FOR MEAN ROOF HEIGHT OF 20 FEET OR LESS, AND ROOF SLOPES OF 4:12 PITCH. SPACING REQUIREMENTS FOR OTHER ROOF HEIGHTS/SLOPES MAY VARY.
 - GROUND ANCHOR REQUIREMENTS ARE 1 @ EACH CORNER AND ONE EVERY OTHER INTERIOR BOW/RAFTER POST LOCATION, AT MAXIMUM OF 10' O.C., AND BOTH SIDES OF OPENINGS WHERE BASE RAIL IS ABSENT.
 - GROUND ANCHORS ARE NOT REQUIRED WITH CONCRETE SLAB CONSTRUCTION.

ENCLOSED METAL BUILDING 20FT WIDE x 20FT LONG x 9FT EAVE HT.



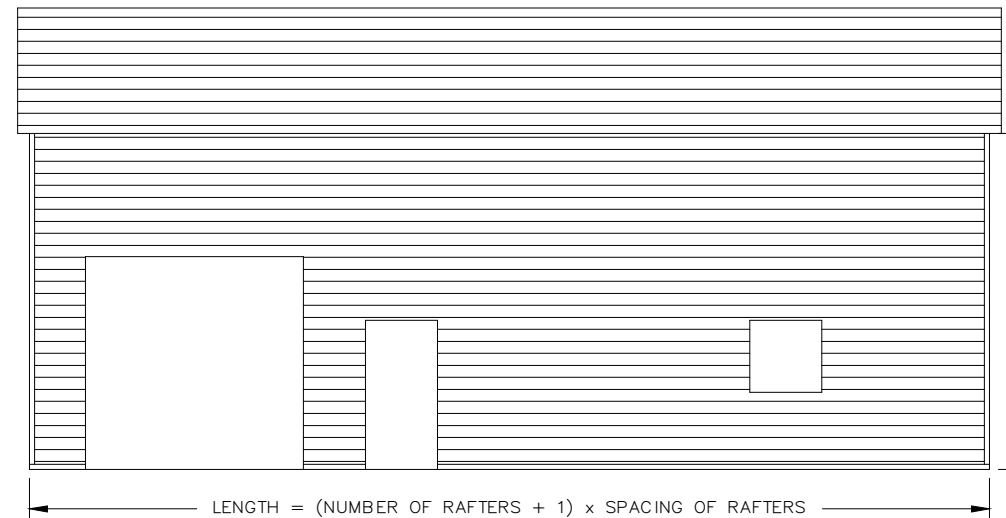
TYPICAL ELEVATION - BOX EAVE

SCALE: NTS



TYPICAL ELEVATION - BOW EAVE

SCALE: NTS



TYPICAL SIDE ELEVATION

SCALE: NTS

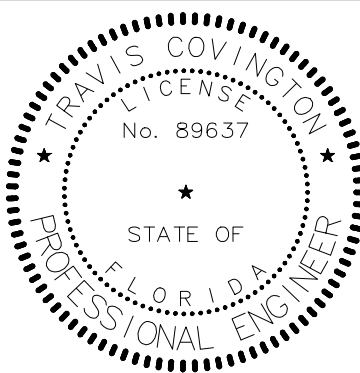
MEMBER	PRODUCT APPROVAL NUMBER	MAX WIND DESIGN PRESSURES
ROOF PANELS	FL39466.1/FL39466.2	+41.6 PSF / -31.2 PSF
WALL PANELS	FL39594.1/FL39594.2	+55.4 PSF / -41.6 PSF
GARAGE DOOR	CTP	CTP
WALK-IN DOOR	CTP	CTP

DRAWING INDEX

SHEET NO.	DESCRIPTION
S.1	GENERAL NOTES & SPECIFICATIONS
S.2	BOX/BOW EAVE TYPICAL FRAMING SECTIONS
S.3	CONNECTION DETAILS (1 OF 2)
S.4	BASE RAIL & ANCHORAGE DETAILS
S.5	END WALL, SIDE WALL, & OPENING TYPICAL FRAMING
S.6	CONNECTION DETAILS (2 OF 2)
S.7	BOX EAVE LEAN-TO OPTIONS
S.8	FREESTANDING LEAN-TO OPTIONS
S.9	VERTICAL ROOF-SIDING OPTION
S.10	OPTIONAL CONCRETE STRIP FOOTING DETAILS
S.11	OPTIONAL HELICAL ANCHORAGE DETAILS

THIS ITEM HAS BEEN DIGITALLY SIGNED AND SEALED BY TRAVIS COVINGTON, P.E. ON THE DATE ADJACENT TO THE SEAL.

PRINTED COPIES OF THIS DOCUMENT ARE NOT CONSIDERED SIGNED AND SEALED AND THE SIGNATURE MUST BE VERIFIED ON ANY ELECTRONIC COPIES.



REVISIONS

NO.	DESCRIPTION	DATE

COVINGTON ENGINEERING SERVICES

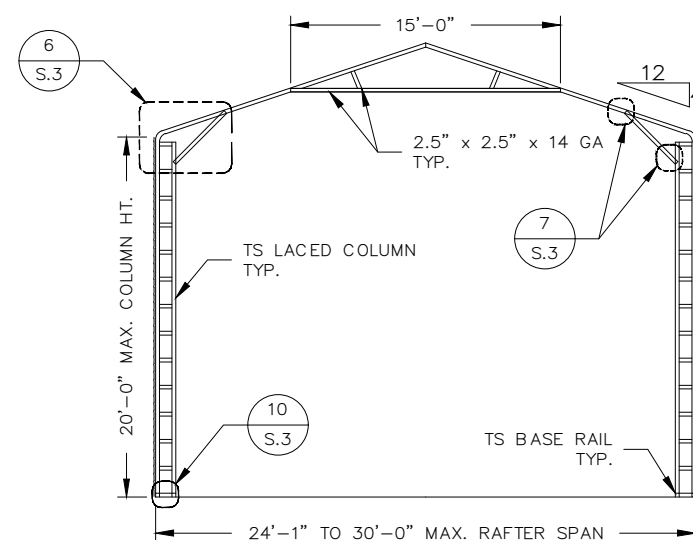
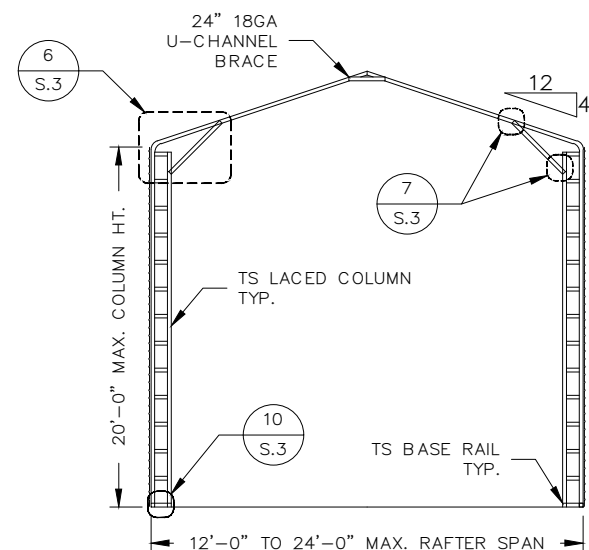
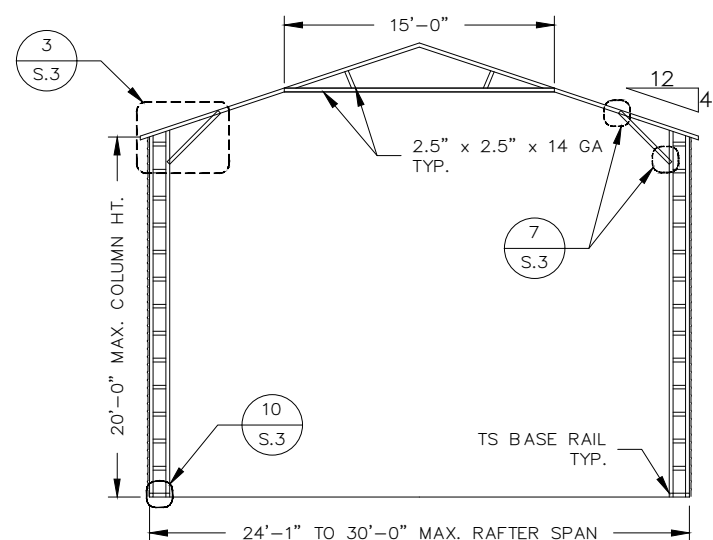
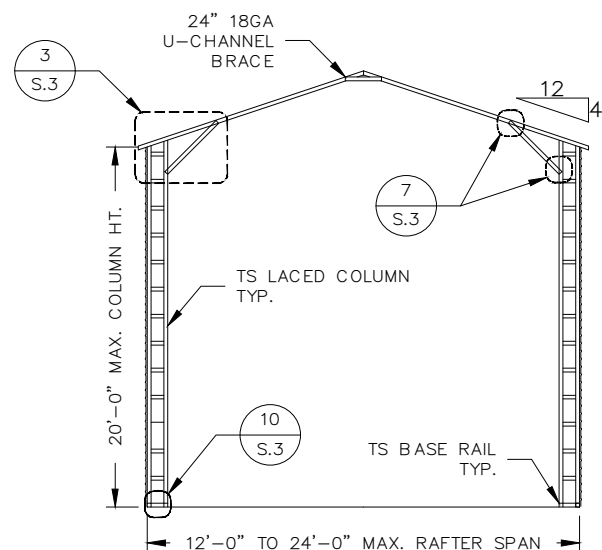
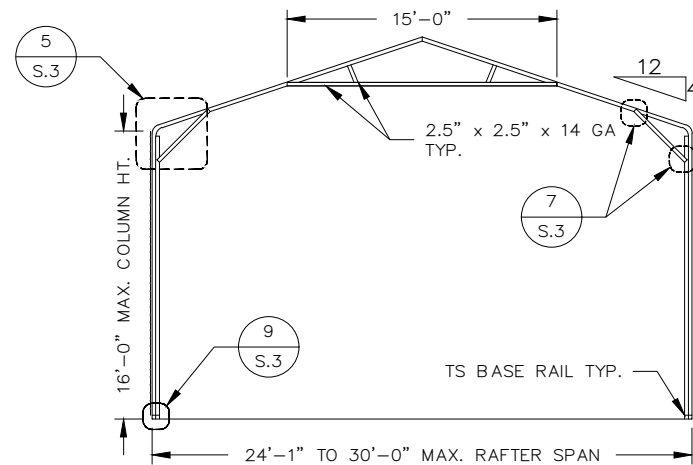
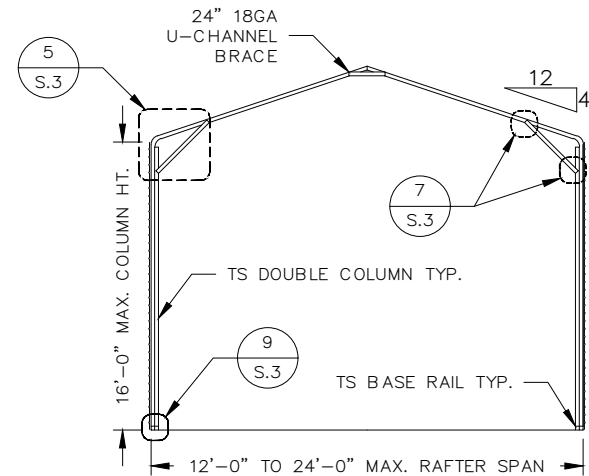
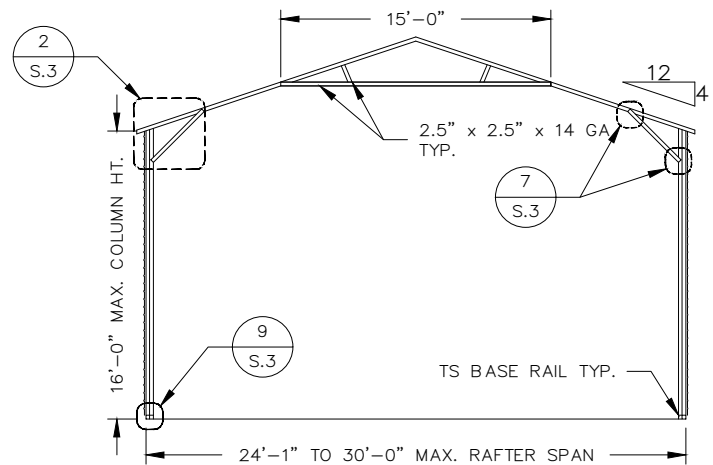
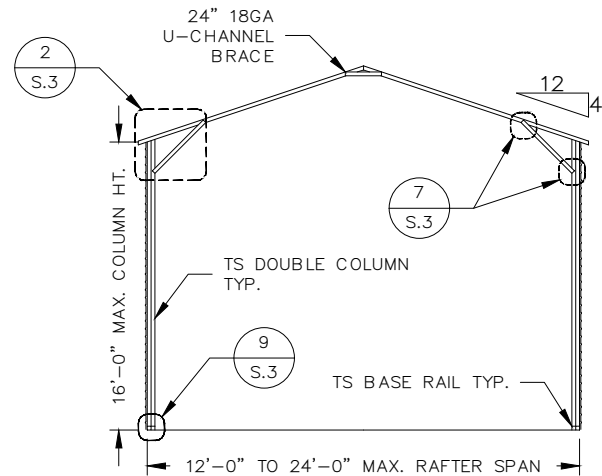
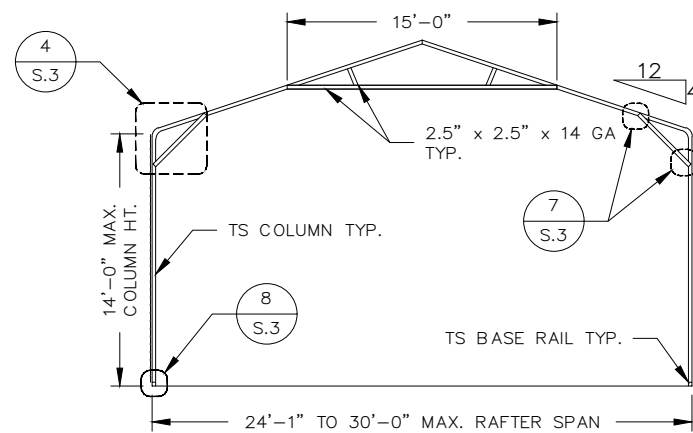
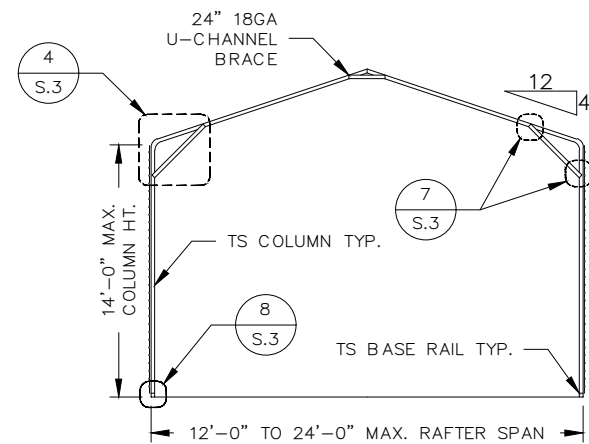
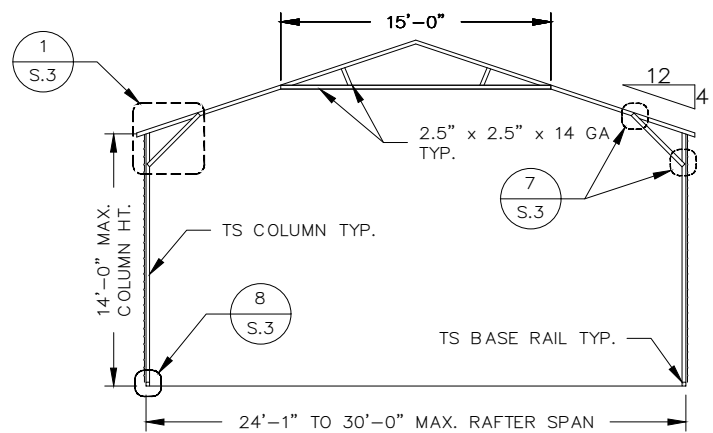
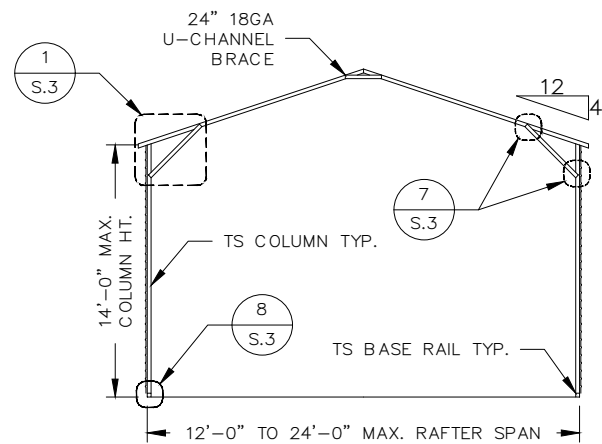
272 NW COUNTRY LAKE DR, LAKE CITY, FL 32055
813.770.9470
TRAVIS@COVINGTONENG.COM

PROJECT:	EHRlich METAL BUILDING
CLIENT:	PAULA EHRlich
LOCATION:	938 SW HOMESTEAD CIRCLE, FORT WHITE, FL
JOB NO:	E120

GENERAL NOTES & SPECIFICATIONS

SCALE:
AS NOTED

SHEET NO:
S.1

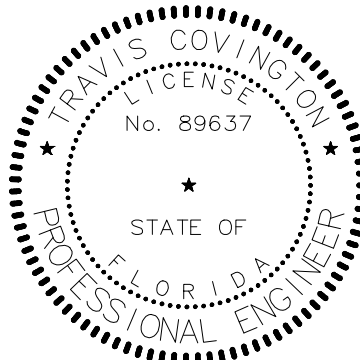


BOX EAVE FRAMING
SCALE: NTS

BOW EAVE FRAMING
SCALE: NTS

THIS ITEM HAS BEEN DIGITALLY
SIGNED AND SEALED BY TRAVIS
COVINGTON, P.E. ON THE DATE
ADJACENT TO THE SEAL.

PRINTED COPIES OF THIS
DOCUMENT ARE NOT CONSIDERED
SIGNED AND SEALED AND THE
SIGNATURE MUST BE VERIFIED ON
ANY ELECTRONIC COPIES.

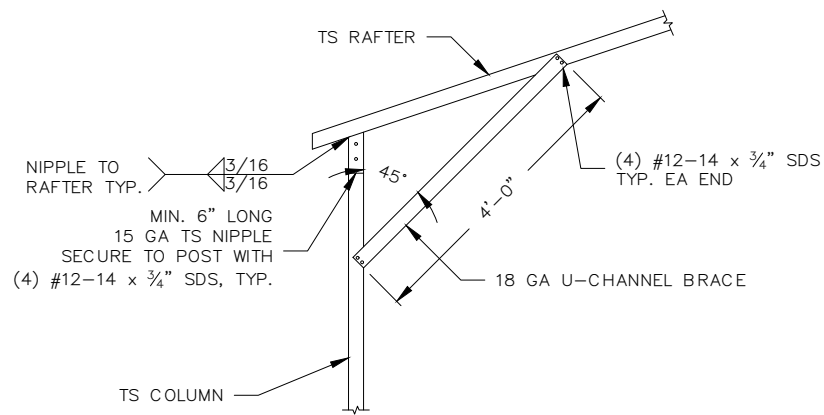


REVISIONS		
NO.	DESCRIPTION	DATE

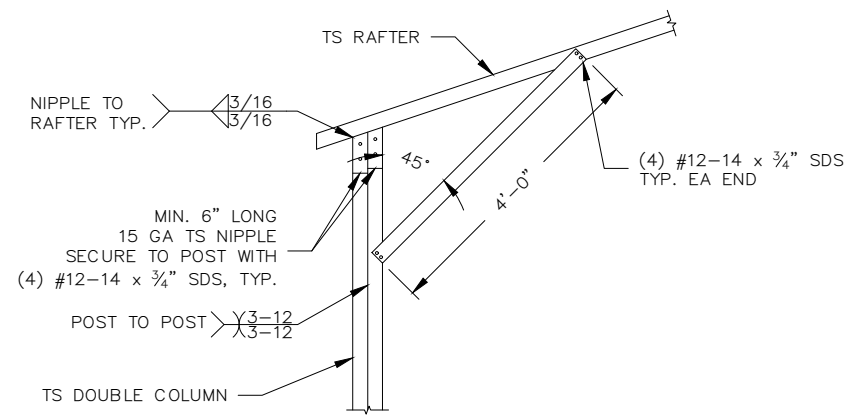
COVINGTON ENGINEERING SERVICES
272 NW COUNTRY LAKE DR, LAKE CITY, FL 32055
813.770.9470
TRAVIS@COVINGTONENG.COM

PROJECT:	EHRlich METAL BUILDING
CLIENT:	PAULA EHRlich
LOCATION:	938 SW HOMESTEAD CIRCLE, FORT WHITE, FL
JOB NO.:	E120

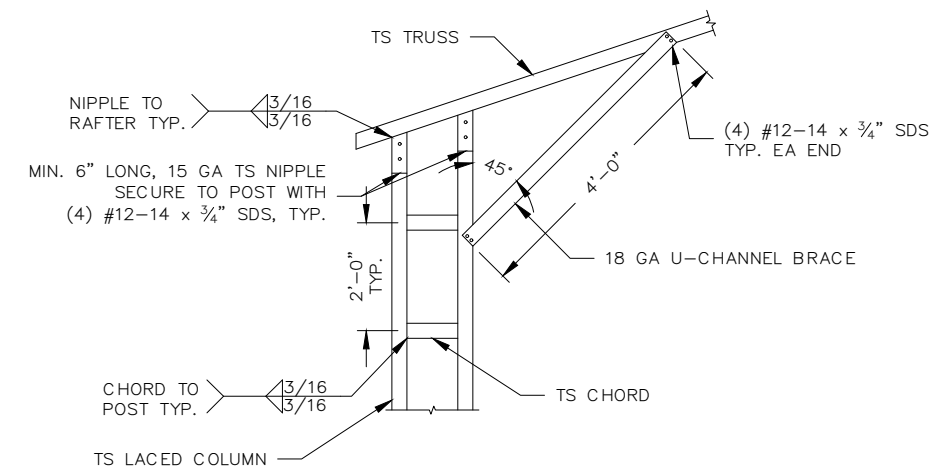
BOX/BOW EAVE TYPICAL FRAMING SECTIONS	
SCALE:	SHEET NO:
AS NOTED	S.2



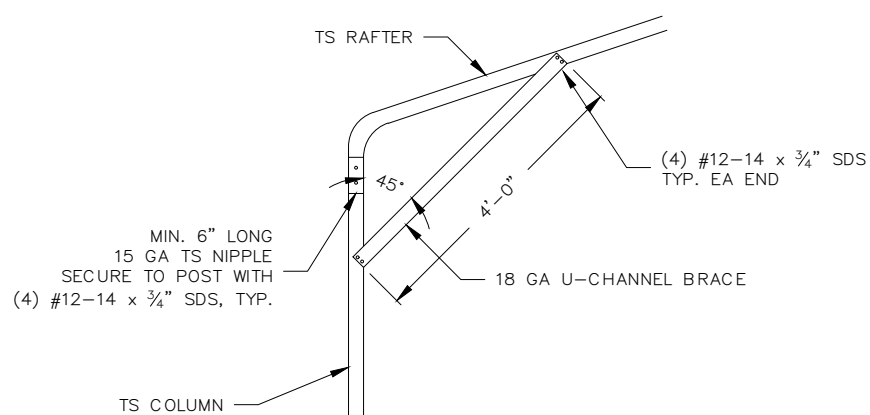
1 BOX EAVE RAFTER/CORNER POST CONNECTION
 MAX. 30' WIDTH, MAX. 14' EAVE HT
 SCALE: NTS



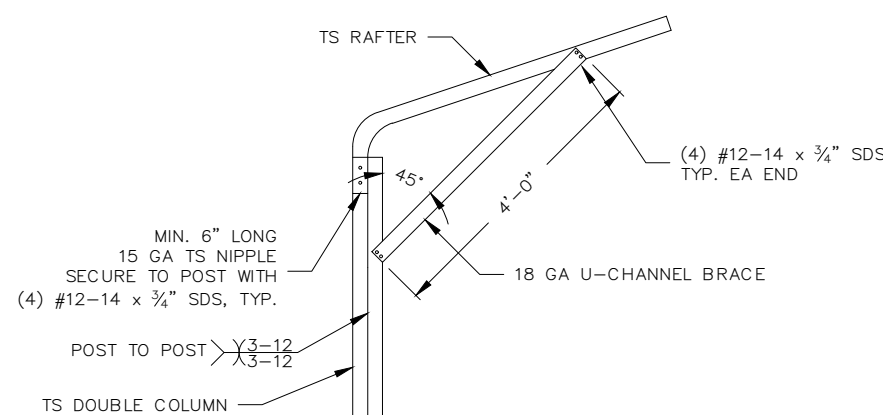
2 BOX EAVE RAFTER/CORNER POST CONNECTION
 MAX. 30' WIDTH, MAX. 16' EAVE HT
 SCALE: NTS



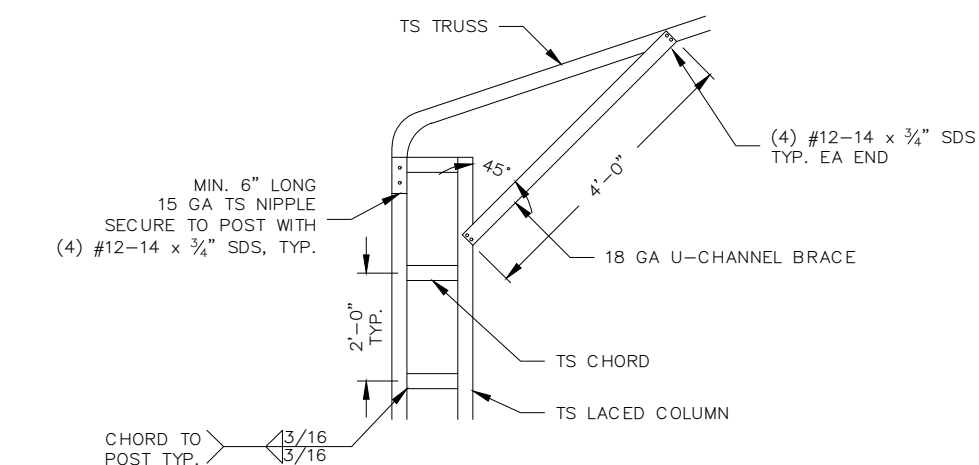
3 BOX EAVE RAFTER/CORNER POST CONNECTION
 MAX. 30' WIDTH, MAX. 20' EAVE HT
 SCALE: NTS



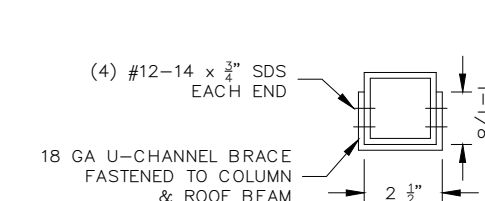
4 BOW EAVE RAFTER/CORNER POST CONNECTION
 MAX. 30' WIDTH, MAX. 14' EAVE HT
 SCALE: NTS



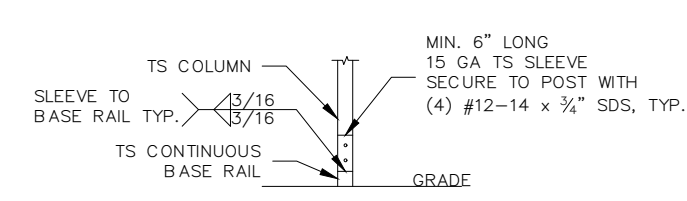
5 BOW EAVE RAFTER/CORNER POST CONNECTION
 MAX. 30' WIDTH, MAX. 16' EAVE HT
 SCALE: NTS



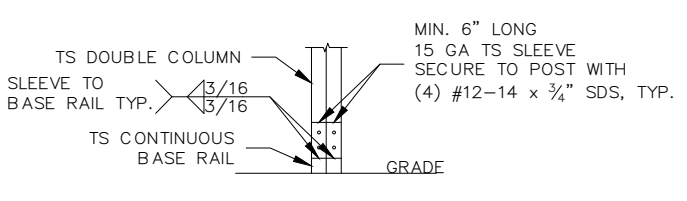
6 BOW EAVE RAFTER/CORNER POST CONNECTION
 MAX. 30' WIDTH, MAX. 20' EAVE HT
 SCALE: NTS



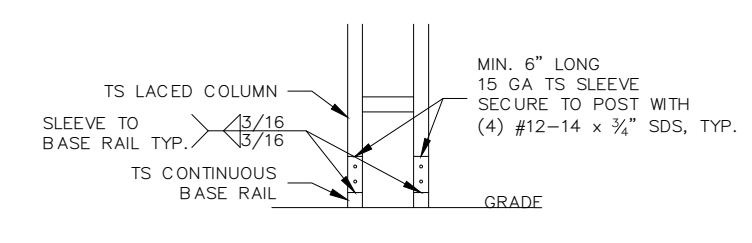
7 BRACE CONNECTION DETAIL
 SCALE: NTS



8 POST/BASE RAIL CONNECTION
 SINGLE COLUMN
 SCALE: NTS



9 POST/BASE RAIL CONNECTION
 DOUBLE COLUMN
 SCALE: NTS



10 POST/BASE RAIL CONNECTION
 LACED COLUMN
 SCALE: NTS

THIS ITEM HAS BEEN DIGITALLY SIGNED AND SEALED BY TRAVIS COVINGTON, P.E. ON THE DATE ADJACENT TO THE SEAL.

PRINTED COPIES OF THIS DOCUMENT ARE NOT CONSIDERED SIGNED AND SEALED AND THE SIGNATURE MUST BE VERIFIED ON ANY ELECTRONIC COPIES.

REVISIONS		
NO.	DESCRIPTION	DATE

COVINGTON ENGINEERING SERVICES
 272 NW COUNTRY LAKE DR, LAKE CITY, FL 32055
 813.770.9470
 TRAVIS@COVINGTONENG.COM

PROJECT: EHRlich METAL BUILDING
 CLIENT: PAULA EHRlich
 LOCATION: 938 SW HOMESTEAD CIRCLE, FORT WHITE, FL
 JOB NO: E120

CONNECTION DETAILS (1 OF 2)

SCALE: AS NOTED
 SHEET NO: S.3

GENERAL NOTES

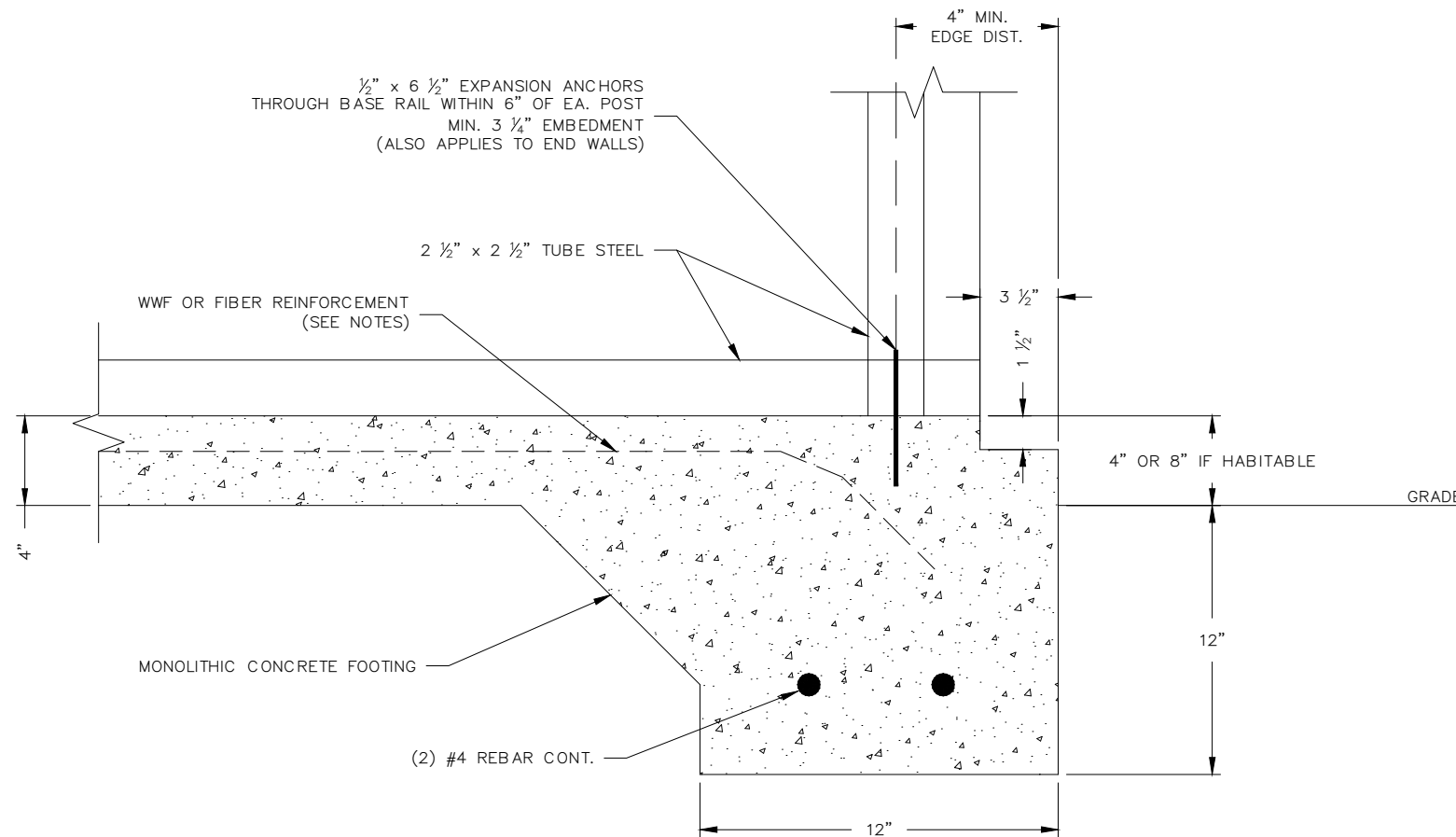
1. MINIMUM SOIL BEARING CAPACITY: 1500 PSF
2. CONCRETE STRENGTH: 3000 PSI @ 28 DAYS

REINFORCING STEEL NOTES

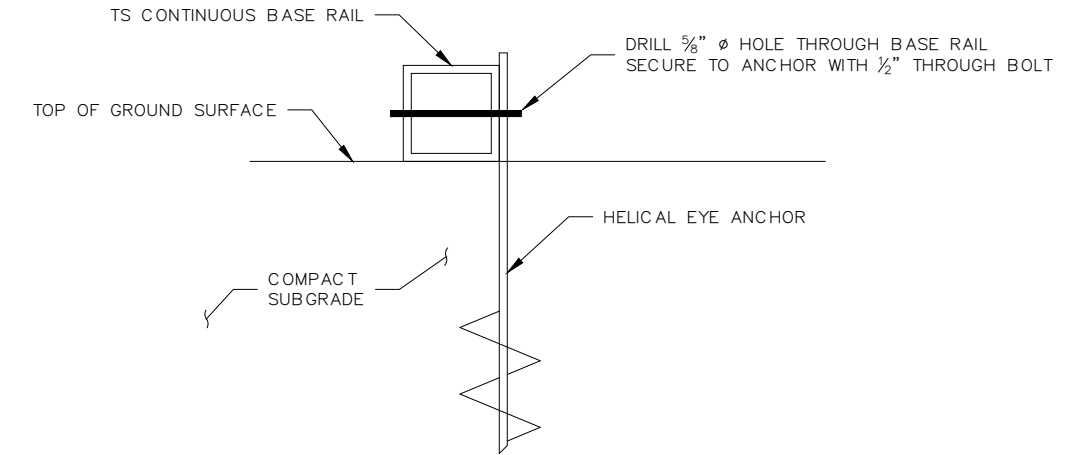
1. REBAR SHALL BE ASTM A615 GRADE 60
2. SLAB REINFORCEMENT SHALL BE WELDED WIRE FABRIC PER ASTM A185 OR FIBERGLASS FIBER REINFORCEMENT
3. CONCRETE COVER SHALL BE 3" WHERE CONCRETE IS EXPOSED TO SOIL OR WATER; 2" EVERYWHERE ELSE
4. REBAR SHALL BE BENT WITHOUT HEATING; MINIMUM BEND LENGTH = 6 x BAR DIAMETER
5. REINFORCEMENT PARTIALLY EMBEDDED IN CONCRETE SHALL NOT BE FIELD BENT

HELICAL ANCHOR NOTES

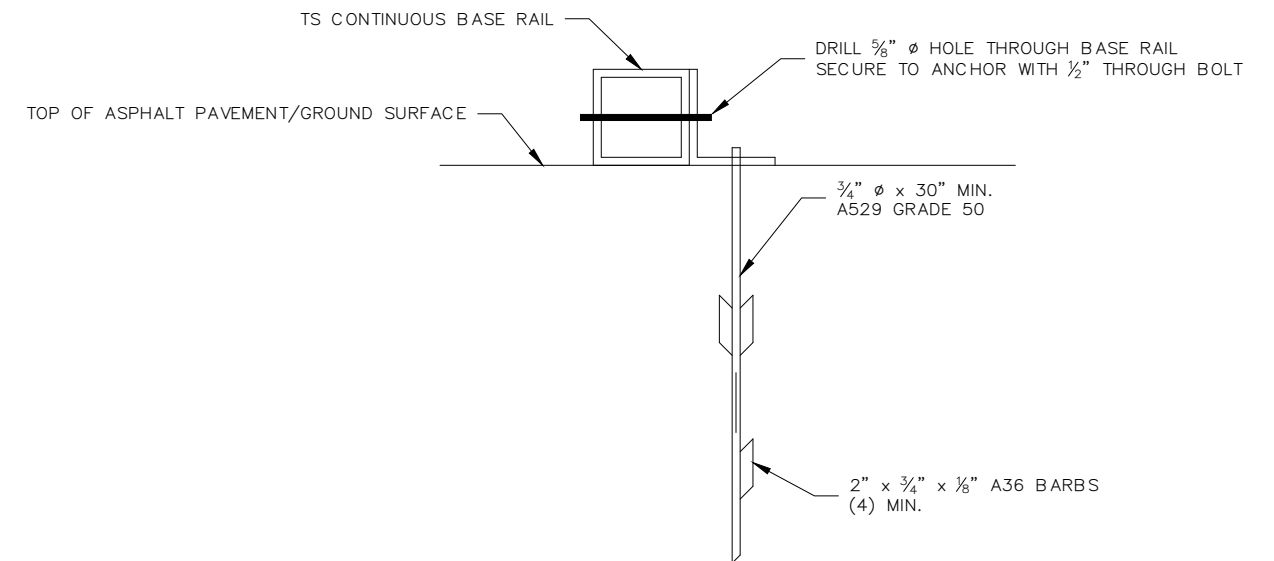
1. MINIMUM OF (2) 4" HELICES WITH 30" MIN. EMBEDMENT SHALL BE USED FOR THE FOLLOWING SOILS: VERY DENSE AND OR/OR CEMENTED SOILS, COARSE GRAVEL AND COBBLES, CALICHE, PRELOADED SILT AND CLAYS, CORALS, MEDIUM DENSE COARSE SANDS, SANDY GRAVEL, AND VERY STIFF SILTS AND CLAYS
2. MINIMUM OF (2) 6" HELICES WITH 48" MIN. EMBEDMENT SHALL BE USED FOR THE FOLLOWING SOILS: LOOSE TO MEDIUM DENSE SANDS, FIRM TO STIFF CLAYS AND SILTS, AND ALLUVIAL FILL
3. MINIMUM OF (2) 8" HELICES WITH 60" MIN. EMBEDMENT SHALL BE USED FOR THE FOLLOWING SOILS: VERY LOOSE TO MEDIUM DENSE SANDS AND FIRM TO STIFFER CLAYS AND SILTS



A BASE RAIL ANCHORAGE
CONCRETE MONOLITHIC SLAB
SCALE: NTS



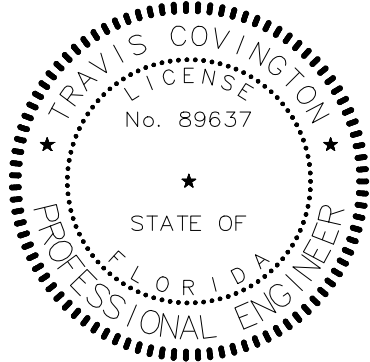
B GROUND BASE HELICAL ANCHORAGE
SCALE: NTS



C ASPHALT BASE ANCHORAGE
(HP9 BARBED DRIVE ANCHOR)
SCALE: NTS

THIS ITEM HAS BEEN DIGITALLY
SIGNED AND SEALED BY TRAVIS
COVINGTON, P.E. ON THE DATE
ADJACENT TO THE SEAL.

PRINTED COPIES OF THIS
DOCUMENT ARE NOT CONSIDERED
SIGNED AND SEALED AND THE
SIGNATURE MUST BE VERIFIED ON
ANY ELECTRONIC COPIES.

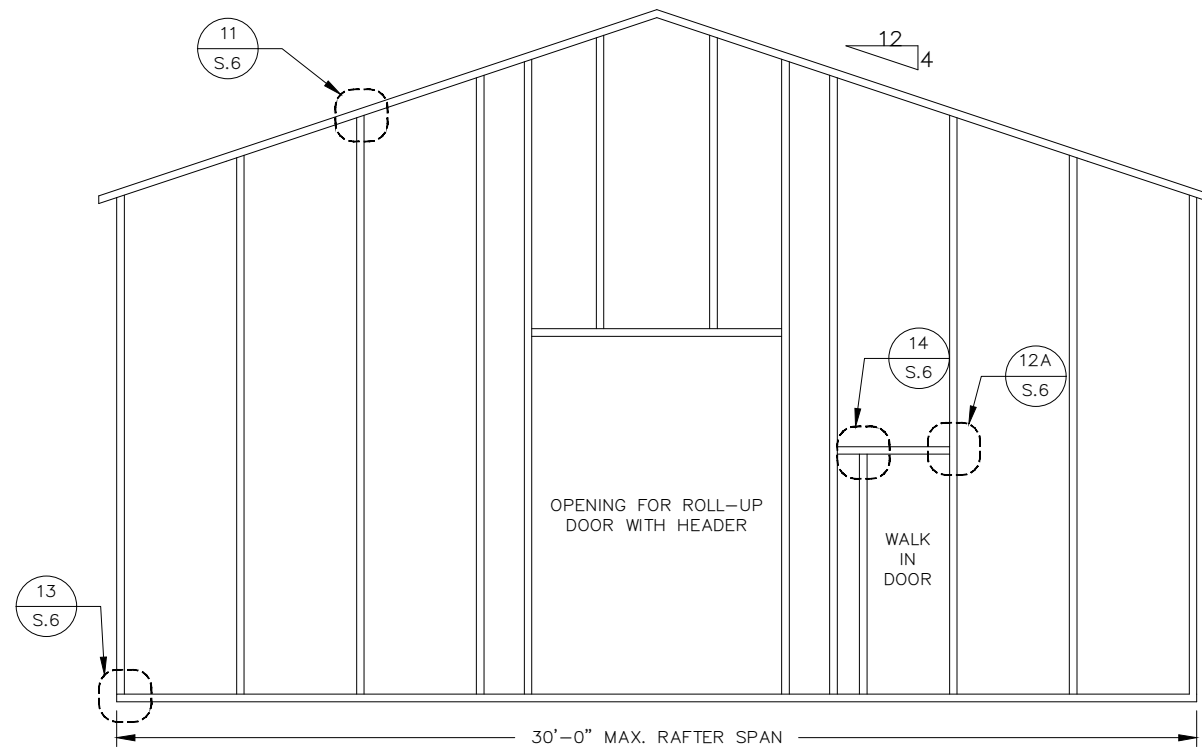


REVISIONS		
NO.	DESCRIPTION	DATE

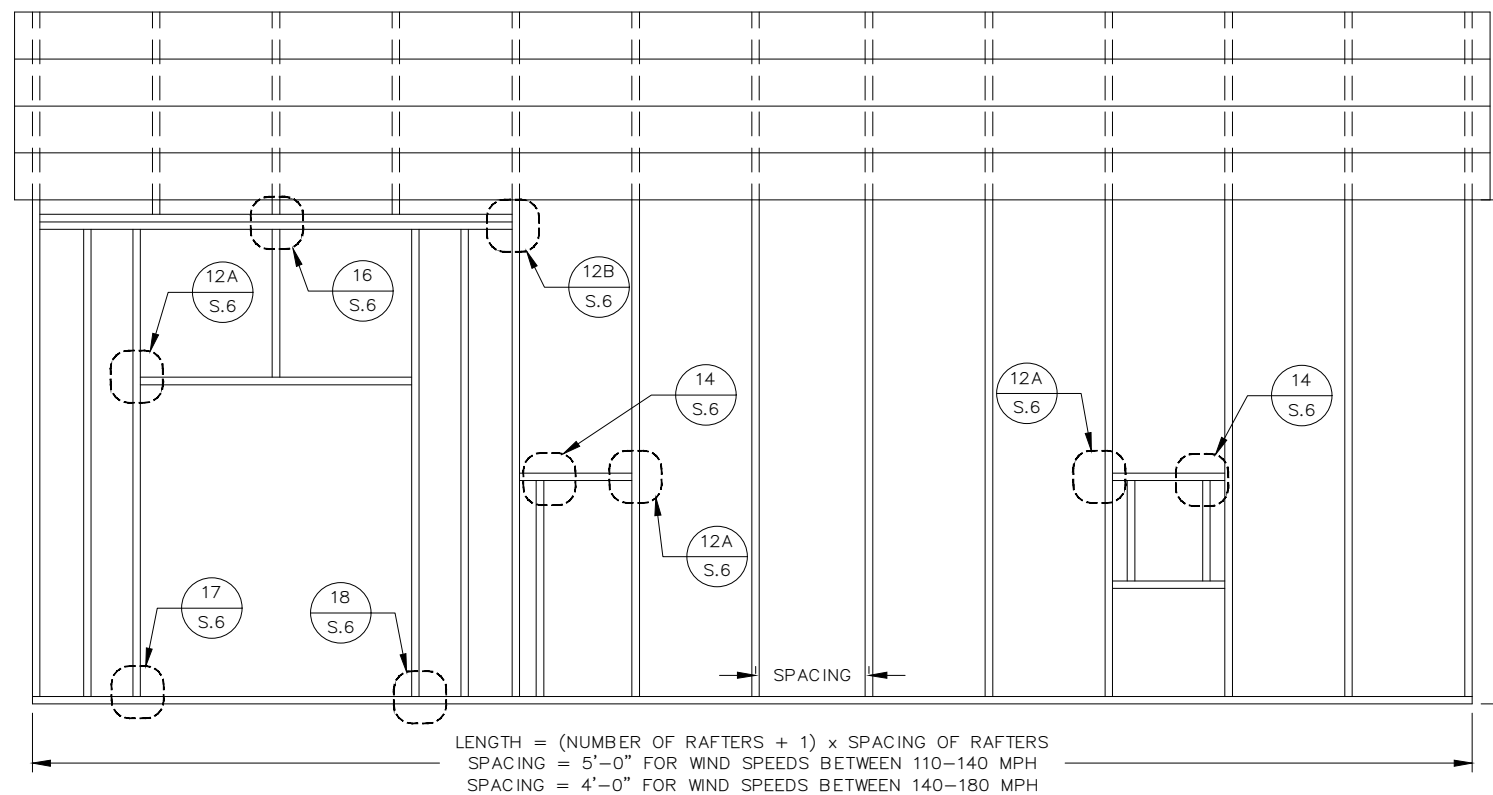
COVINGTON ENGINEERING SERVICES
272 NW COUNTRY LAKE DR, LAKE CITY, FL 32055
813.770.9470
TRAVIS@COVINGTONENG.COM

PROJECT:	EHRlich METAL BUILDING
CLIENT:	PAULA EHRlich
LOCATION:	938 SW HOMESTEAD CIRCLE, FORT WHITE, FL
JOB NO.:	E120

BASE RAIL & ANCHORAGE DETAILS	
SCALE:	SHEET NO.:
AS NOTED	S.4



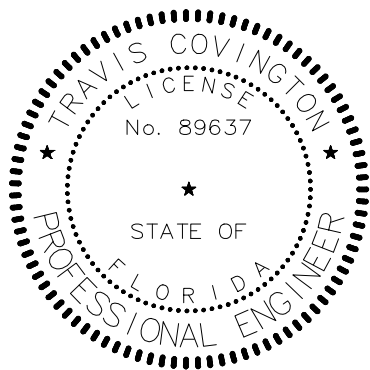
TYPICAL BOX EAVE RAFTER END WALL FRAMING
SCALE: NTS



TYPICAL BOX EAVE RAFTER SIDE WALL FRAMING
SCALE: NTS

THIS ITEM HAS BEEN DIGITALLY
SIGNED AND SEALED BY TRAVIS
COVINGTON, P.E. ON THE DATE
ADJACENT TO THE SEAL.

PRINTED COPIES OF THIS
DOCUMENT ARE NOT CONSIDERED
SIGNED AND SEALED AND THE
SIGNATURE MUST BE VERIFIED ON
ANY ELECTRONIC COPIES.

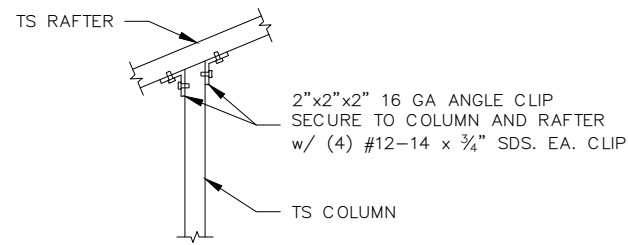


REVISIONS		
NO.	DESCRIPTION	DATE

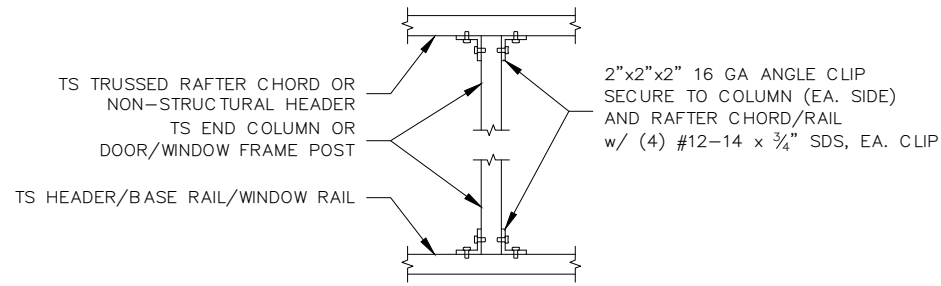
COVINGTON ENGINEERING SERVICES
272 NW COUNTRY LAKE DR, LAKE CITY, FL 32055
813.770.9470
TRAVIS@COVINGTONENG.COM

PROJECT: EHRlich METAL BUILDING
CLIENT: PAULA EHRlich
LOCATION: 938 SW HOMESTEAD CIRCLE, FORT WHITE, FL
JOB NO: E120

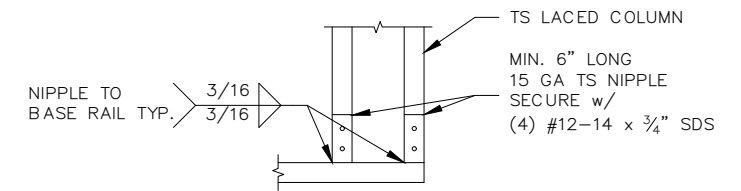
**END WALL, SIDE WALL, &
OPENING TYPICAL FRAMING**
SCALE: AS NOTED
SHEET NO: S.5



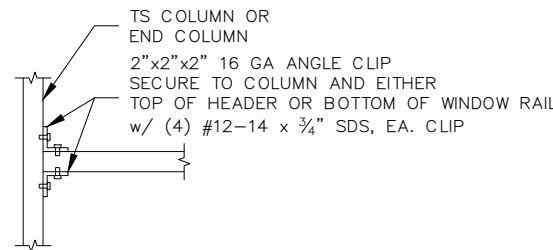
11 TYPICAL POST RAFTER CONNECTION
END WALL FRAMING
SCALE: NTS



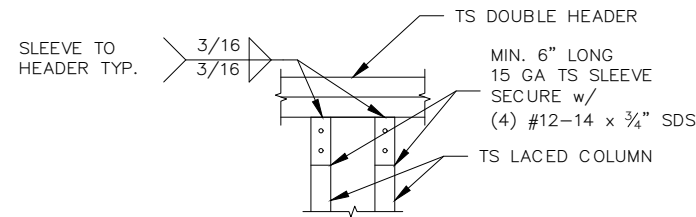
14 POST TO HEADER, BASE RAIL, OR WINDOW
RAIL CONNECTION
SCALE: NTS



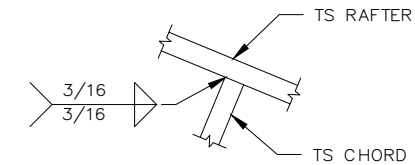
18 LACED COLUMN TO BASE RAIL CONNECTION
SCALE: NTS



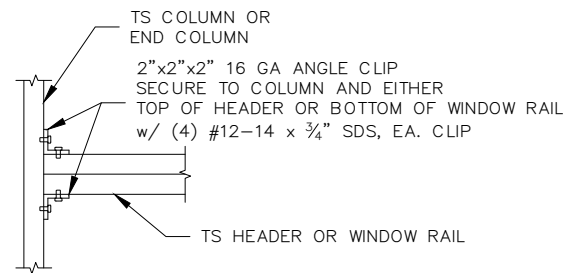
12A HEADER TO POST CONNECTION
SCALE: NTS



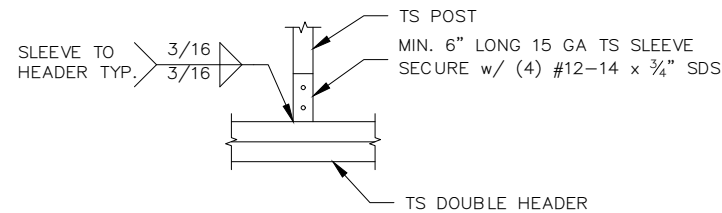
15 DOUBLE HEADER TO
LACED COLUMN CONNECTION
SCALE: NTS



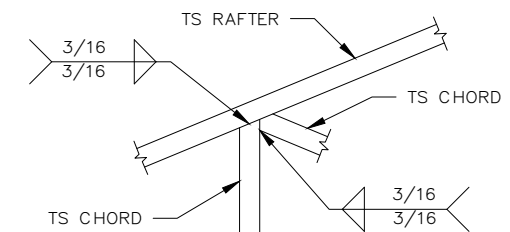
19 RAFTER TO CHORD CONNECTION
SCALE: NTS



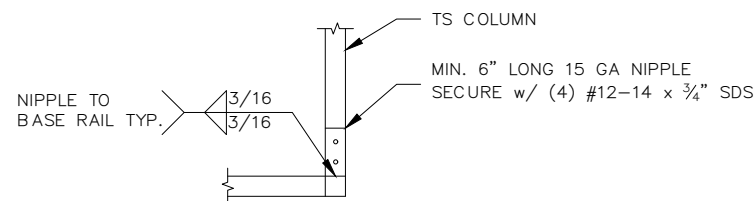
12B DOUBLE HEADER TO POST
HORIZONTAL CONNECTION
SCALE: NTS



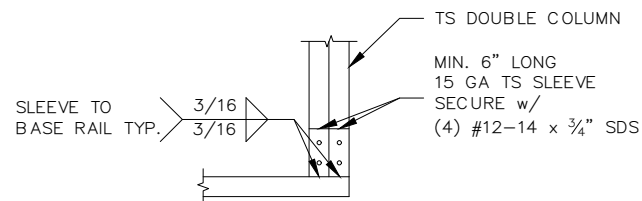
16 DOUBLE HEADER TO POST
VERTICAL CONNECTION
SCALE: NTS



20 RAFTER TO CHORD CONNECTION
SCALE: NTS



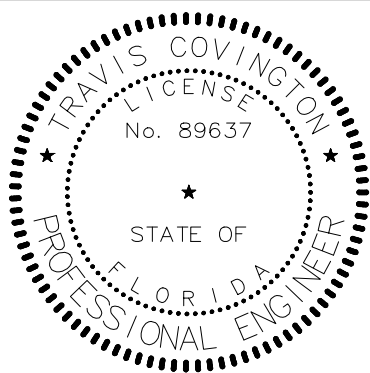
13 POST/BASE RAIL CONNECTION
END WALL FRAMING
SCALE: NTS



17 DOUBLE COLUMN TO BASE RAIL CONNECTION
SCALE: NTS

THIS ITEM HAS BEEN DIGITALLY
SIGNED AND SEALED BY TRAVIS
COVINGTON, P.E. ON THE DATE
ADJACENT TO THE SEAL.

PRINTED COPIES OF THIS
DOCUMENT ARE NOT CONSIDERED
SIGNED AND SEALED AND THE
SIGNATURE MUST BE VERIFIED ON
ANY ELECTRONIC COPIES.

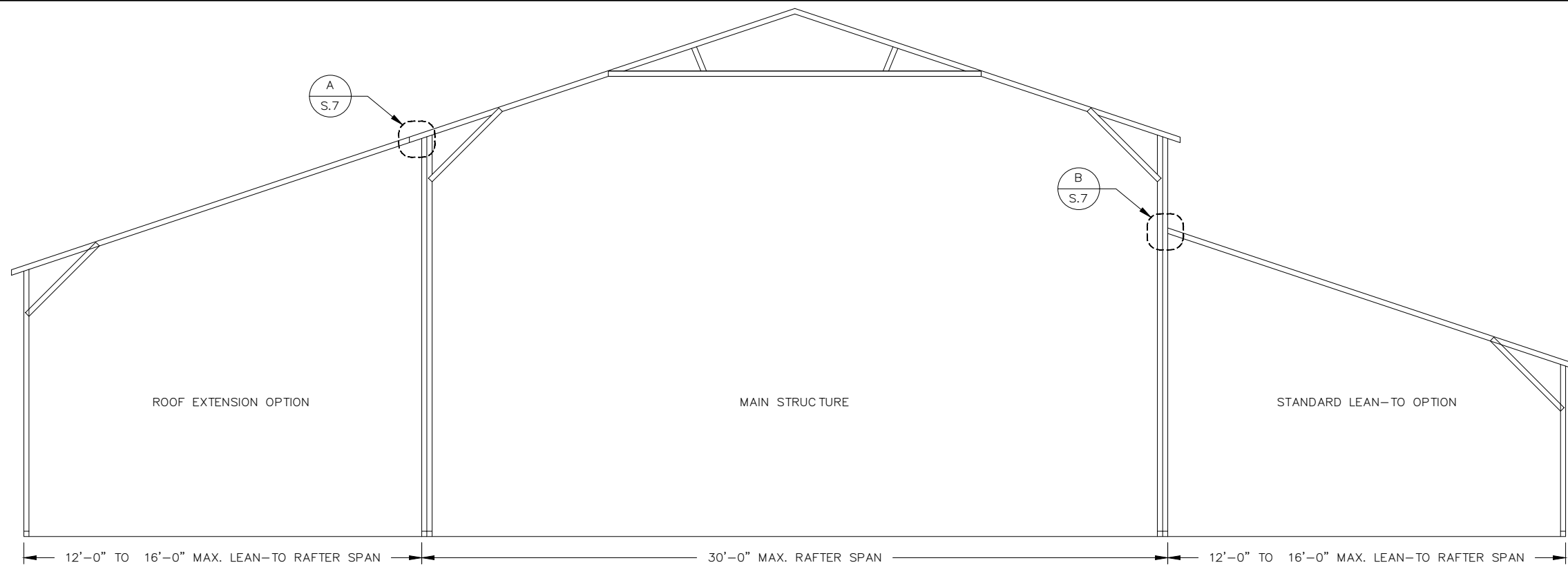


REVISIONS		
NO.	DESCRIPTION	DATE

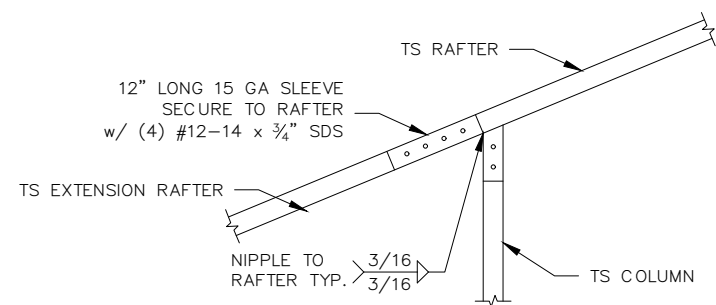
COVINGTON ENGINEERING SERVICES
272 NW COUNTRY LAKE DR, LAKE CITY, FL 32055
813.770.9470
TRAVIS@COVINGTONENG.COM

PROJECT: EHRlich METAL BUILDING
CLIENT: PAULA EHRlich
LOCATION: 938 SW HOMESTEAD CIRCLE, FORT WHITE, FL
JOB NO: E120

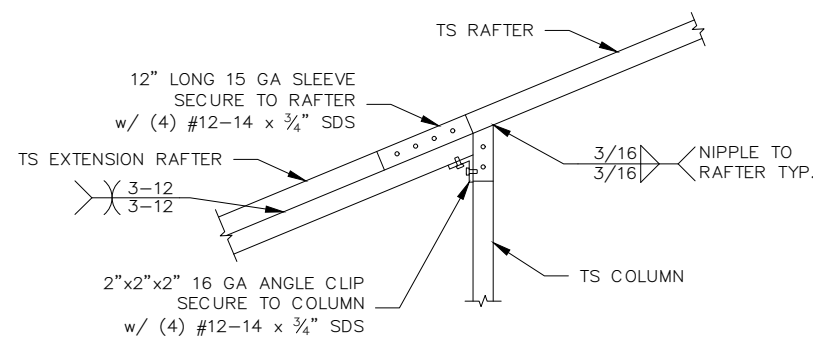
CONNECTION DETAILS (2 OF 2)
SCALE: AS NOTED
SHEET NO: S.6



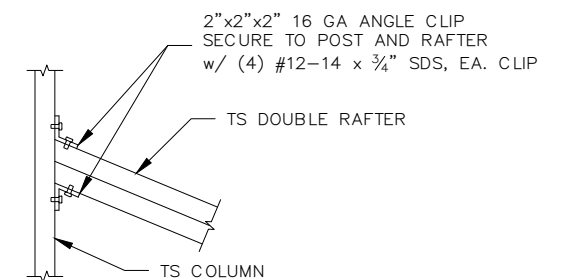
TYPICAL BOX EAVE RAFTER LEAN-TO OPTIONS
SCALE: NTS



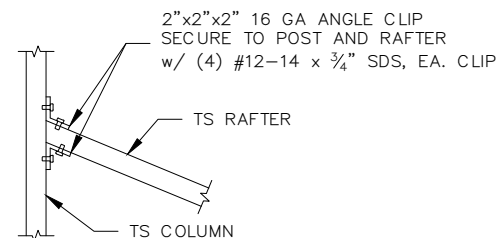
A1 SIDE EXTENSION RAFTER/POST CONNECTION
RAFTER SPAN LESS THAN 12'-0"
SCALE: NTS



A2 SIDE EXTENSION RAFTER/POST CONNECTION
RAFTER SPAN BETWEEN 12'-0" AND 16'0"
SCALE: NTS



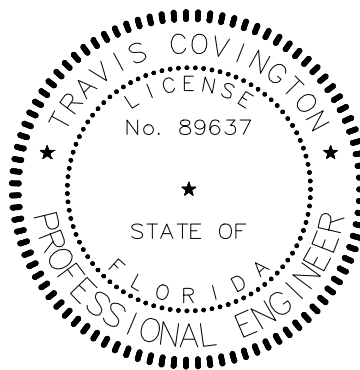
B2 LEAN-TO RAFTER/COLUMN CONNECTION
RAFTER SPAN BETWEEN 12'-0" AND 16'-0"
SCALE: NTS



B1 LEAN-TO RAFTER/COLUMN CONNECTION
RAFTER SPAN LESS THAN 12'-0"
SCALE: NTS

THIS ITEM HAS BEEN DIGITALLY
SIGNED AND SEALED BY TRAVIS
COVINGTON, P.E. ON THE DATE
ADJACENT TO THE SEAL.

PRINTED COPIES OF THIS
DOCUMENT ARE NOT CONSIDERED
SIGNED AND SEALED AND THE
SIGNATURE MUST BE VERIFIED ON
ANY ELECTRONIC COPIES.



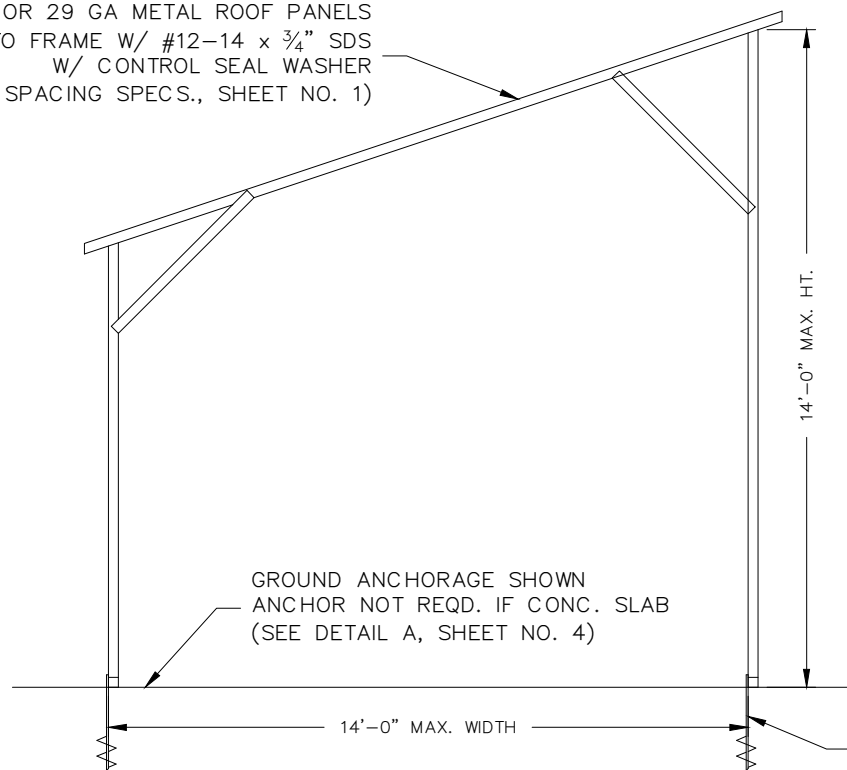
REVISIONS		
NO.	DESCRIPTION	DATE

COVINGTON ENGINEERING SERVICES
272 NW COUNTRY LAKE DR, LAKE CITY, FL 32055
813.770.9470
TRAVIS@COVINGTONENG.COM

PROJECT: EHRlich METAL BUILDING
CLIENT: PAULA EHRlich
LOCATION: 938 SW HOMESTEAD CIRCLE, FORT WHITE, FL
JOB NO: E120

BOX EAVE LEAN-TO OPTIONS
SCALE: AS NOTED
SHEET NO: S.7

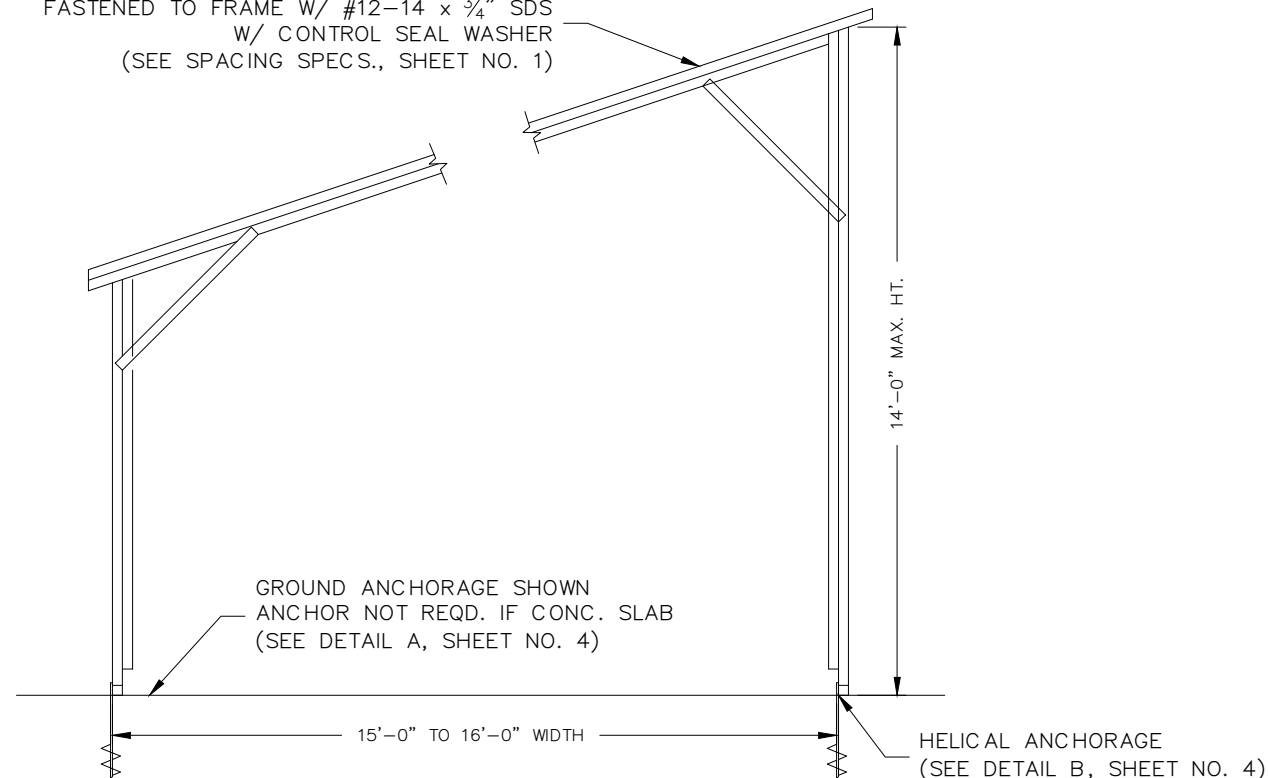
26 OR 29 GA METAL ROOF PANELS
FASTENED TO FRAME W/ #12-14 x 3/4" SDS
W/ CONTROL SEAL WASHER
(SEE SPACING SPECS., SHEET NO. 1)



OPTIONAL SLOPES:
1:12
2:12
3:12

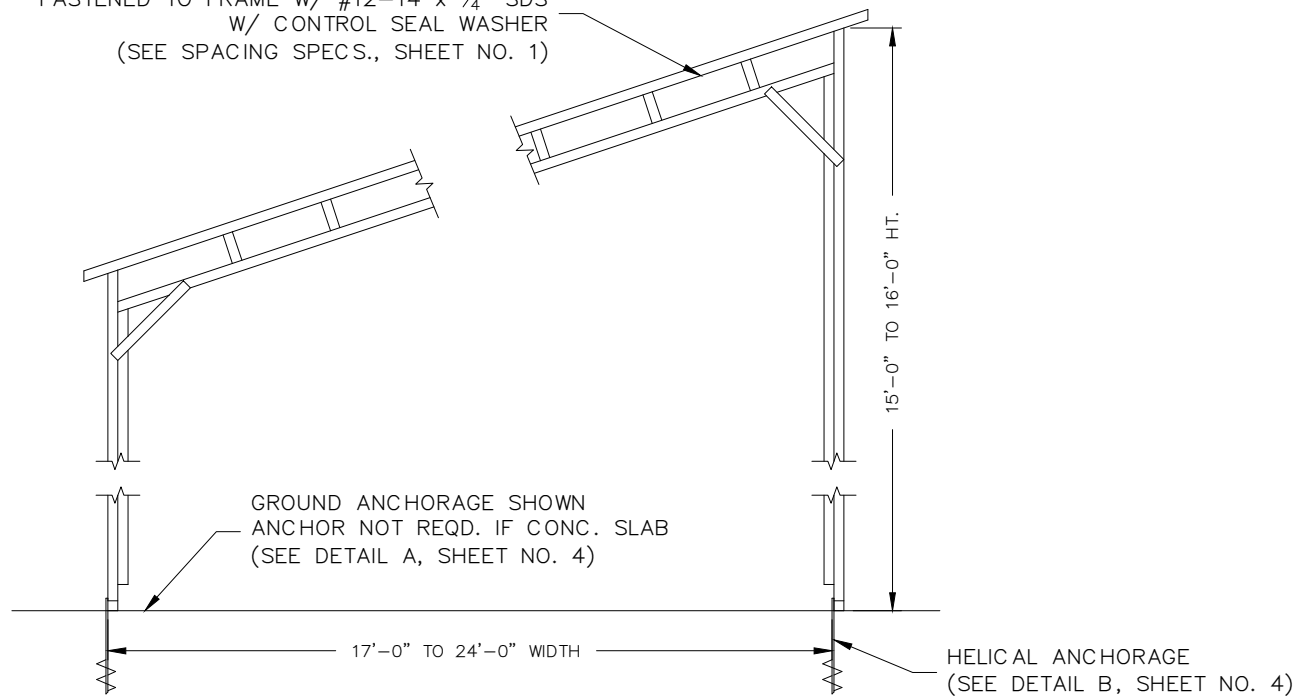
FREESTANDING LEAN-TO: MAX. 14FT WIDTH
SCALE: NTS

26 OR 29 GA METAL ROOF PANELS
FASTENED TO FRAME W/ #12-14 x 3/4" SDS
W/ CONTROL SEAL WASHER
(SEE SPACING SPECS., SHEET NO. 1)



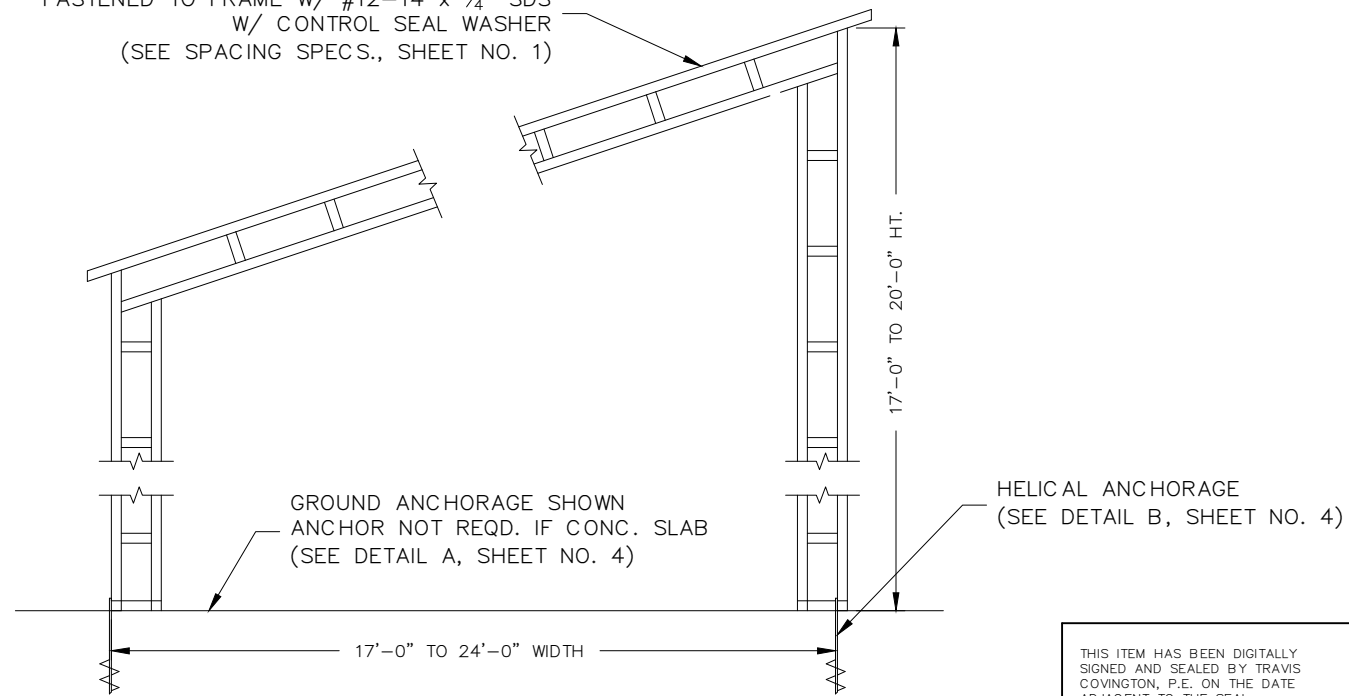
FREESTANDING LEAN-TO: 15FT TO 16FT WIDTH
SCALE: NTS

26 OR 29 GA METAL ROOF PANELS
FASTENED TO FRAME W/ #12-14 x 3/4" SDS
W/ CONTROL SEAL WASHER
(SEE SPACING SPECS., SHEET NO. 1)



FREESTANDING LEAN-TO: 17FT TO 24FT WIDTH
SCALE: NTS

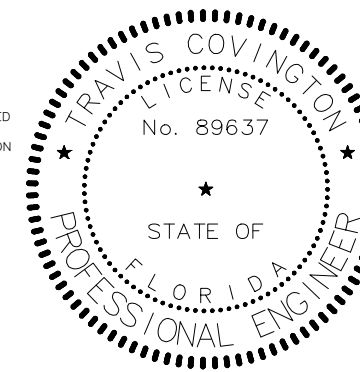
26 OR 29 GA METAL ROOF PANELS
FASTENED TO FRAME W/ #12-14 x 3/4" SDS
W/ CONTROL SEAL WASHER
(SEE SPACING SPECS., SHEET NO. 1)



FREESTANDING LEAN-TO: 17FT TO 24FT WIDTH
SCALE: NTS

THIS ITEM HAS BEEN DIGITALLY
SIGNED AND SEALED BY TRAVIS
COVINGTON, P.E. ON THE DATE
ADJACENT TO THE SEAL.

PRINTED COPIES OF THIS
DOCUMENT ARE NOT CONSIDERED
SIGNED AND SEALED AND THE
SIGNATURE MUST BE VERIFIED ON
ANY ELECTRONIC COPIES.



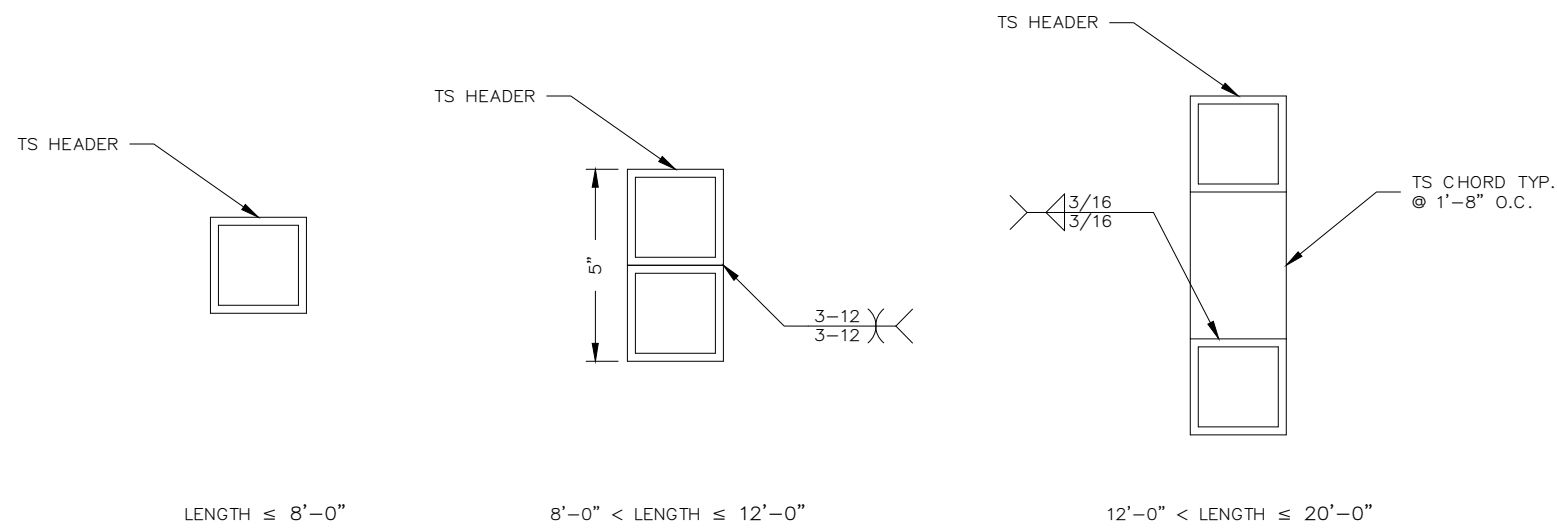
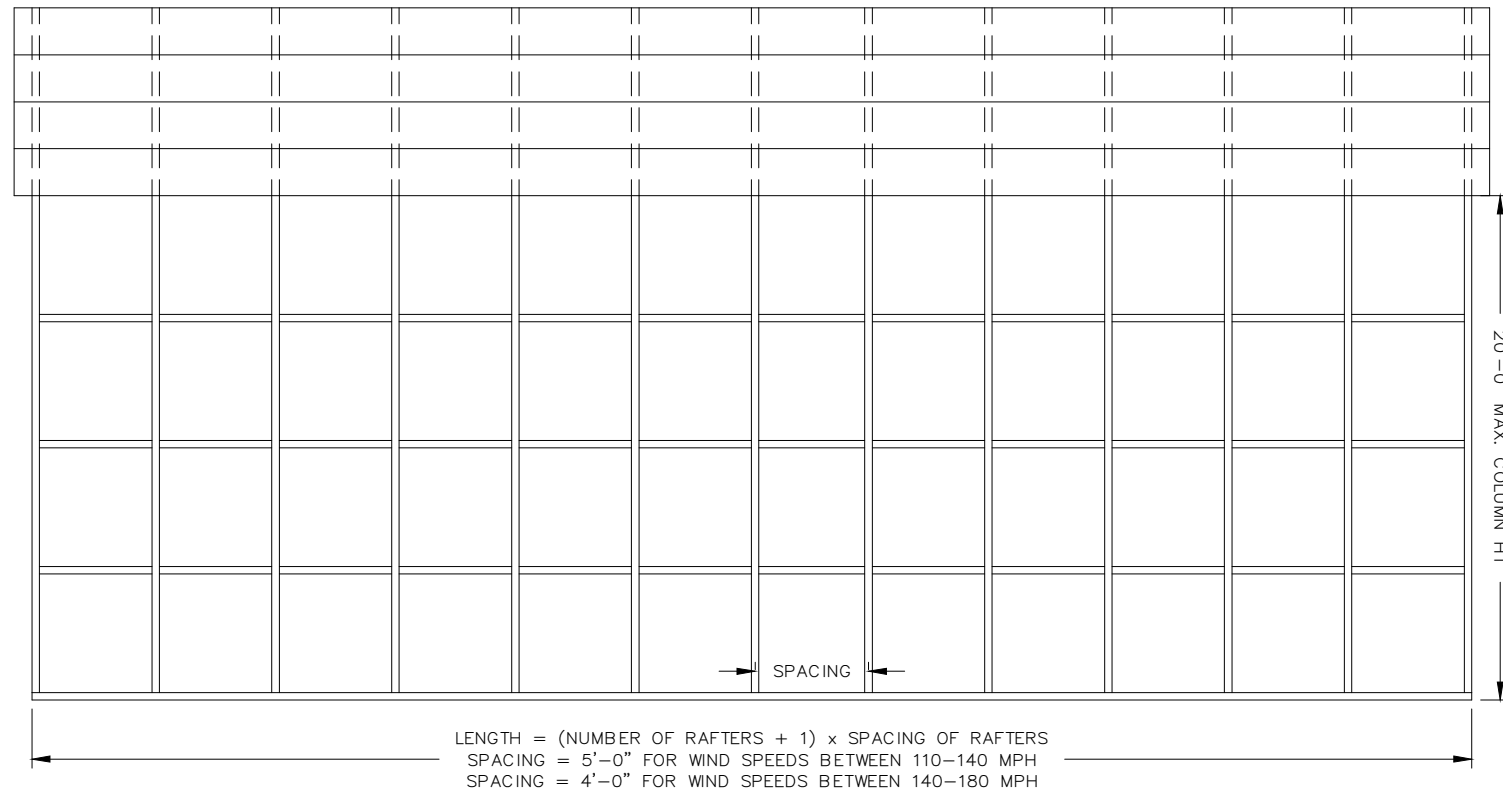
REVISIONS		
NO.	DESCRIPTION	DATE

COVINGTON ENGINEERING SERVICES
272 NW COUNTRY LAKE DR, LAKE CITY, FL 32055
813.770.9470
TRAVIS@COVINGTONENG.COM

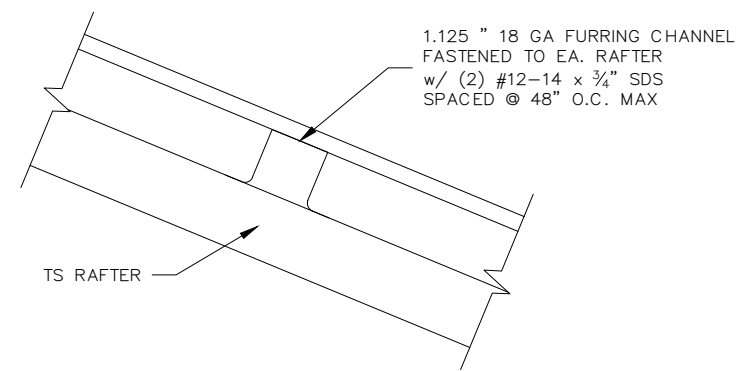
PROJECT:	EHRlich METAL BUILDING
CLIENT:	PAULA EHRlich
LOCATION:	938 SW HOMESTEAD CIRCLE, FORT WHITE, FL
JOB NO:	E120

**FREESTANDING LEAN-TO
OPTIONS**

SCALE:	SHEET NO:
AS NOTED	S.8



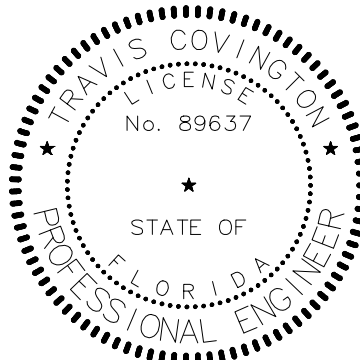
OPTIONAL SIDE WALL HEADERS
SCALE: NTS



VERTICAL ROOF PANEL ATTACHMENT
SCALE: NTS

THIS ITEM HAS BEEN DIGITALLY
SIGNED AND SEALED BY TRAVIS
COVINGTON, P.E. ON THE DATE
ADJACENT TO THE SEAL.

PRINTED COPIES OF THIS
DOCUMENT ARE NOT CONSIDERED
SIGNED AND SEALED AND THE
SIGNATURE MUST BE VERIFIED ON
ANY ELECTRONIC COPIES.



REVISIONS		
NO.	DESCRIPTION	DATE

COVINGTON ENGINEERING SERVICES
272 NW COUNTRY LAKE DR, LAKE CITY, FL 32055
813.770.9470
TRAVIS@COVINGTONENG.COM

PROJECT: EHRlich METAL BUILDING
CLIENT: PAULA EHRlich
LOCATION: 938 SW HOMESTEAD CIRCLE, FORT WHITE, FL
JOB NO: E120

VERTICAL ROOF-SIDING OPTION

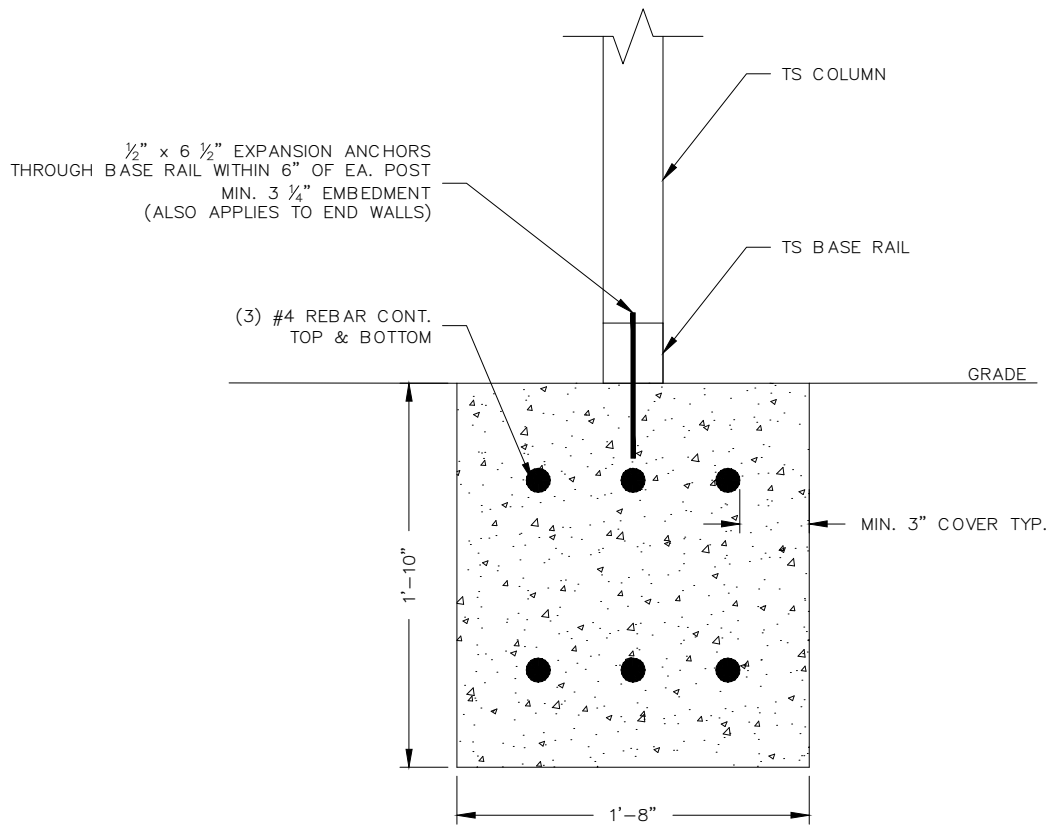
SCALE: AS NOTED
SHEET NO: S.9

GENERAL NOTES

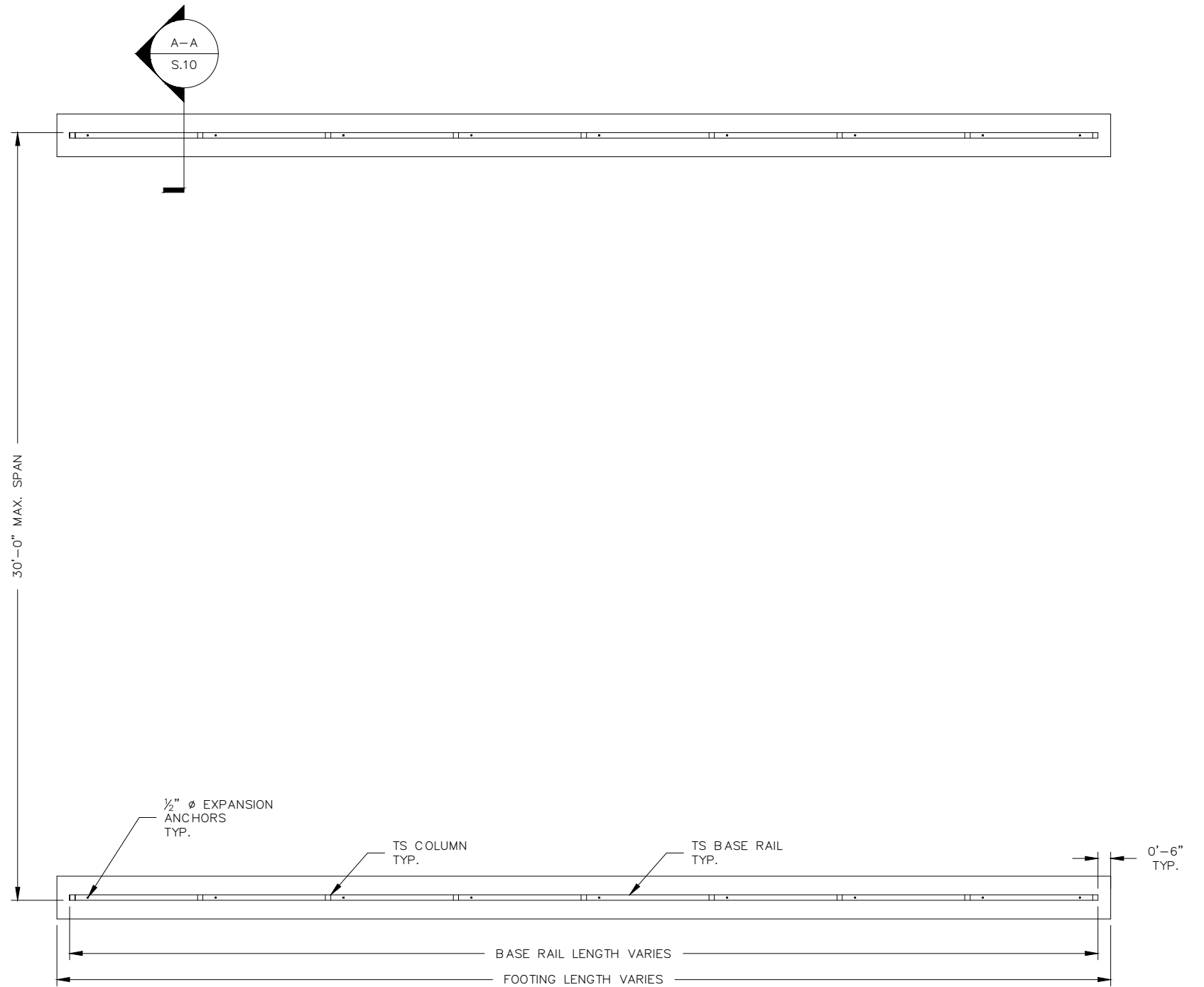
1. MINIMUM SOIL BEARING CAPACITY: 1500 PSF
2. CONCRETE STRENGTH: 3000 PSI @ 28 DAYS

REINFORCING STEEL NOTES

1. REBAR SHALL BE ASTM A615 GRADE 60
2. SLAB REINFORCEMENT SHALL BE WELDED WIRE FABRIC PER ASTM A185 OR FIBERGLASS FIBER REINFORCEMENT
3. CONCRETE COVER SHALL BE 3" WHERE CONCRETE IS EXPOSED TO SOIL OR WATER; 2" EVERYWHERE ELSE
4. REBAR SHALL BE BENT WITHOUT HEATING; MINIMUM BEND LENGTH = 6 x BAR DIAMETER
5. REINFORCEMENT PARTIALLY EMBEDDED IN CONCRETE SHALL NOT BE FIELD BENT



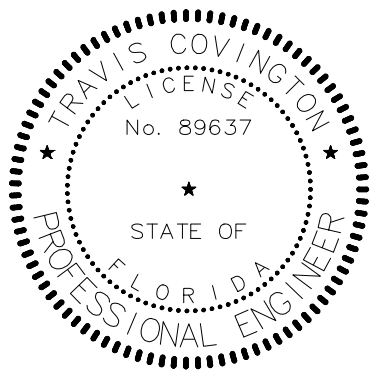
A-A CONCRETE STRIP FOOTING DETAIL
SCALE: NTS



CONCRETE STRIP FOOTING PLAN
SCALE: NTS

THIS ITEM HAS BEEN DIGITALLY SIGNED AND SEALED BY TRAVIS COVINGTON, P.E. ON THE DATE ADJACENT TO THE SEAL.

PRINTED COPIES OF THIS DOCUMENT ARE NOT CONSIDERED SIGNED AND SEALED AND THE SIGNATURE MUST BE VERIFIED ON ANY ELECTRONIC COPIES.



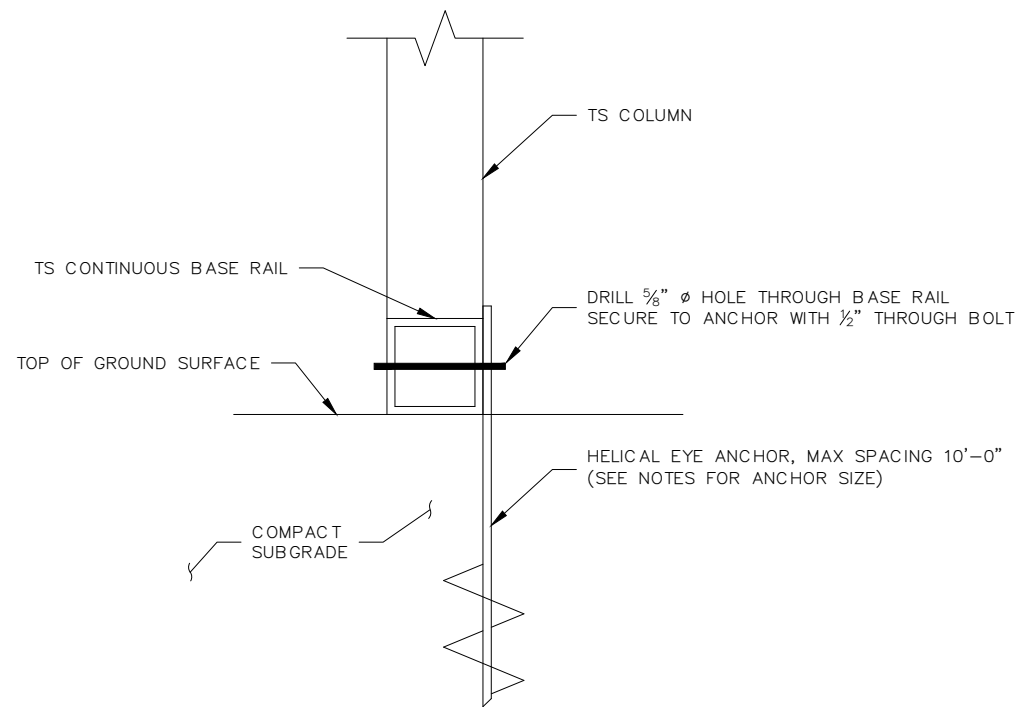
REVISIONS		
NO.	DESCRIPTION	DATE

COVINGTON ENGINEERING SERVICES 272 NW COUNTRY LAKE DR, LAKE CITY, FL 32055 813.770.9470 TRAVIS@COVINGTONENG.COM	PROJECT:	EHRlich METAL BUILDING
	CLIENT:	PAULA EHRlich
	LOCATION:	938 SW HOMESTEAD CIRCLE, FORT WHITE, FL
	JOB NO:	E120

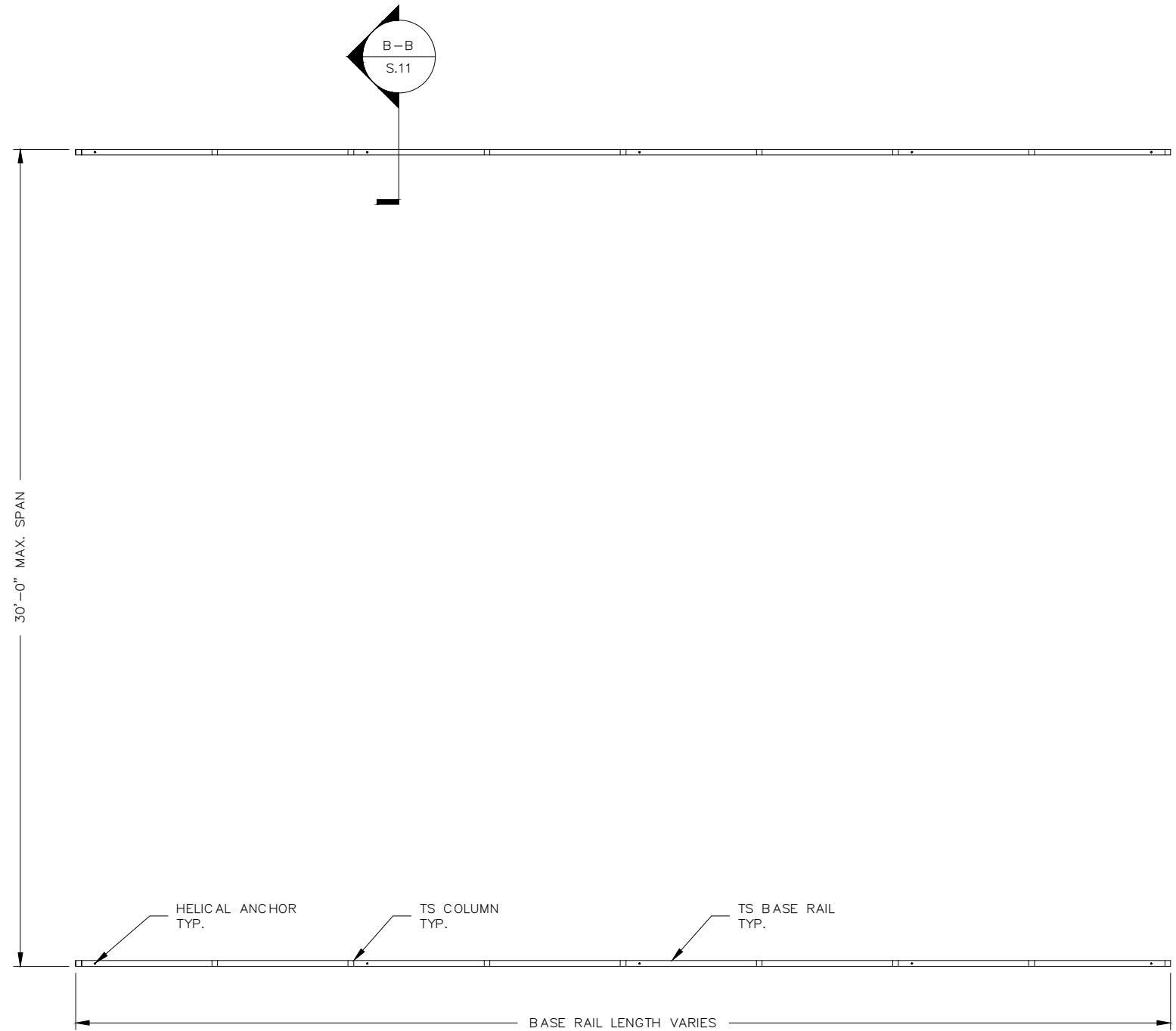
OPTIONAL CONCRETE STRIP FOOTING	
SCALE:	SHEET NO:
AS NOTED	S.10

HELICAL ANCHOR NOTES

1. MINIMUM OF (2) 4" HELICES WITH 30" MIN. EMBEDMENT SHALL BE USED FOR THE FOLLOWING SOILS: VERY DENSE AND OR/OR CEMENTED SOILS, COARSE GRAVEL AND COBBLES, CALICHE, PRELOADED SILT AND CLAYS, CORALS, MEDIUM DENSE COARSE SANDS, SANDY GRAVEL, AND VERY STIFF SILTS AND CLAYS
2. MINIMUM OF (2) 6" HELICES WITH 48" MIN. EMBEDMENT SHALL BE USED FOR THE FOLLOWING SOILS: LOOSE TO MEDIUM DENSE SANDS, FIRM TO STIFF CLAYS AND SILTS, AND ALLUVIAL FILL
3. MINIMUM OF (2) 8" HELICES WITH 60" MIN. EMBEDMENT SHALL BE USED FOR THE FOLLOWING SOILS: VERY LOOSE TO MEDIUM DENSE SANDS AND FIRM TO STIFFER CLAYS AND SILTS



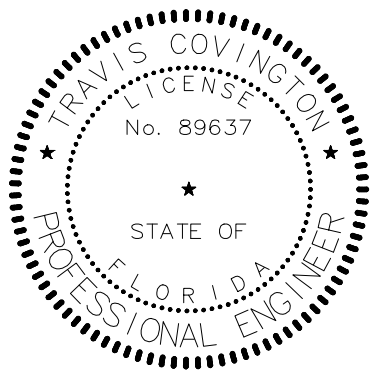
B-B HELICAL ANCHORAGE DETAIL
SCALE: NTS



HELICAL ANCHORAGE PLAN
SCALE: NTS

THIS ITEM HAS BEEN DIGITALLY SIGNED AND SEALED BY TRAVIS COVINGTON, P.E. ON THE DATE ADJACENT TO THE SEAL.

PRINTED COPIES OF THIS DOCUMENT ARE NOT CONSIDERED SIGNED AND SEALED AND THE SIGNATURE MUST BE VERIFIED ON ANY ELECTRONIC COPIES.



REVISIONS		
NO.	DESCRIPTION	DATE

COVINGTON ENGINEERING SERVICES
272 NW COUNTRY LAKE DR, LAKE CITY, FL 32055
813.770.9470
TRAVIS@COVINGTONENG.COM

PROJECT:	EHRlich METAL BUILDING
CLIENT:	PAULA EHRlich
LOCATION:	938 SW HOMESTEAD CIRCLE, FORT WHITE, FL
JOB NO:	E120

OPTIONAL HELICAL ANCHORAGE

SCALE:	SHEET NO:
AS NOTED	S.11