

BRUCE DRAWNDY - DECK & FLOATING DOCK

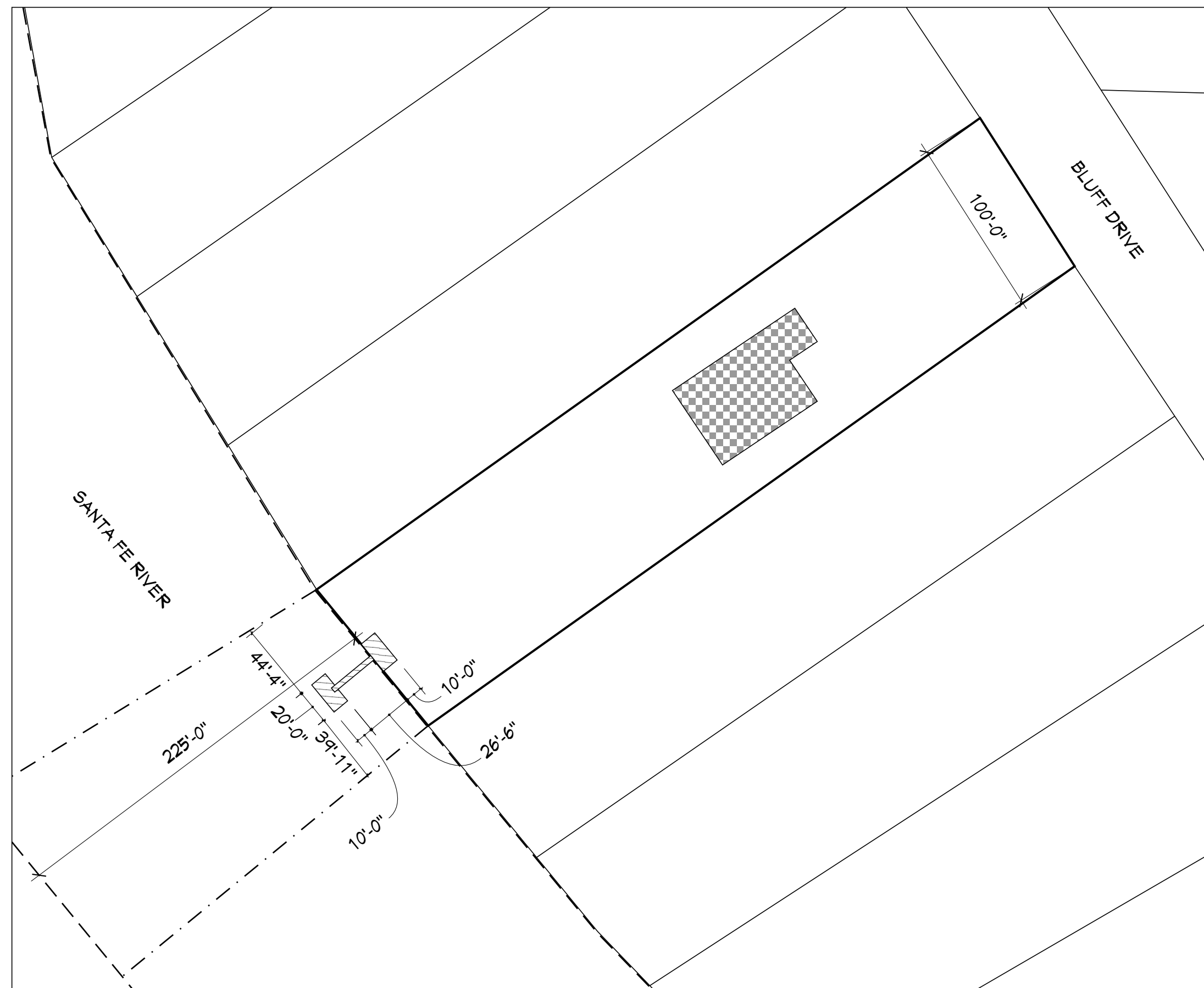
JOB INFORMATION	
COUNTY	COLUMBIA
ADDRESS	424 SW BLUFF DRIVE, FORT WHITE, FL 32038
PARCEL	18-75-16-04236-009
SCOPE OF WORK	<ul style="list-style-type: none"> > Construct a 10' x 20' Deck on top of bank using 2x marine-grade lumber and 1x6 composite decking. > Construct handrail on waterside of deck. > Obtain and install a 3' x 30' aluminum gangway. > Construct a 10' x 20' floating dock with 2x marine-grade lumber and 1x6 composite decking. > Obtain and install (2) 5" galvanized steel guide piles for floating dock.

SHEET NUMBER	SHEET NAME
A00	SITE MAP OVERHEAD LAYOUT PROFILE & CROSS-SECTION

CONSTRUCTION NOTES & BMPs
<ul style="list-style-type: none"> ALL WORK WILL TAKE PLACE FROM THE UPLANDS OR WORK BOAT/BARGE. THE USE OF SILT FENCES AND TURBIDITY CURTAINS WILL BE APPLIED TO MINIMIZE DEBRI AND SEDIMENT IMPACT. ALL CONSTRUCTION MATERIAL AND EQUIPMENT WILL BE STORED IN SAFE DISTANCE FROM AQUATIC HABITAT.

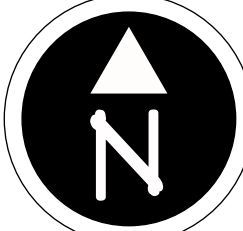
A SITE MAP

SCALE: 1" = 60'-0"



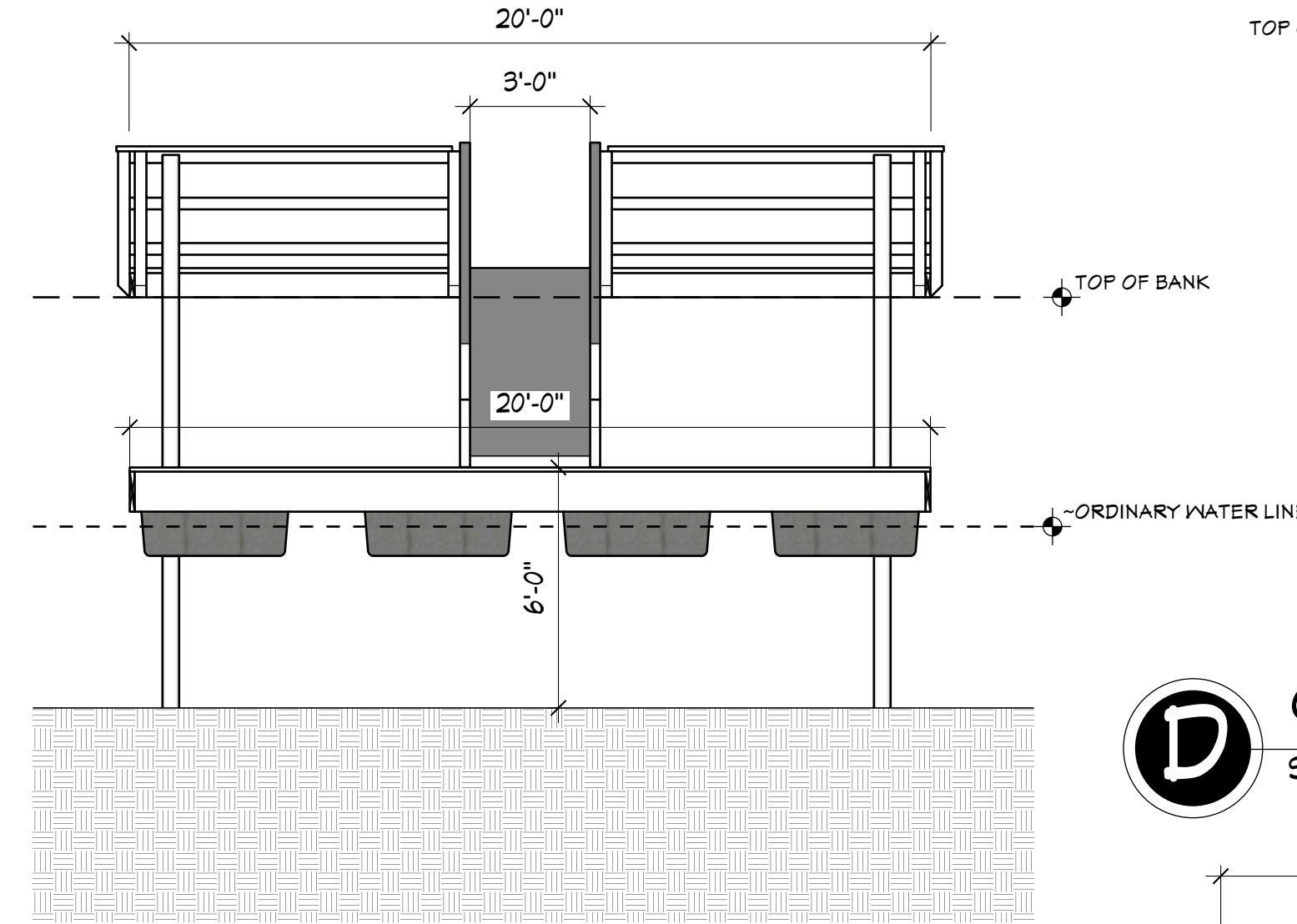
LEGEND
= PROPOSED DOCK & BOATHOUSE
= ORDINARY WATER LINE (APPROX.)
= RIPARIAN LINES
= TOP OF BANK
= PROPERTY LINE

DOCK DATA	
OWNED SHORELINE	~100'-0"
WIDTH OF WATERWAY	~225'-0"
EXISTING OWSA	0 SF
PROPOSED OWSA	490 SF



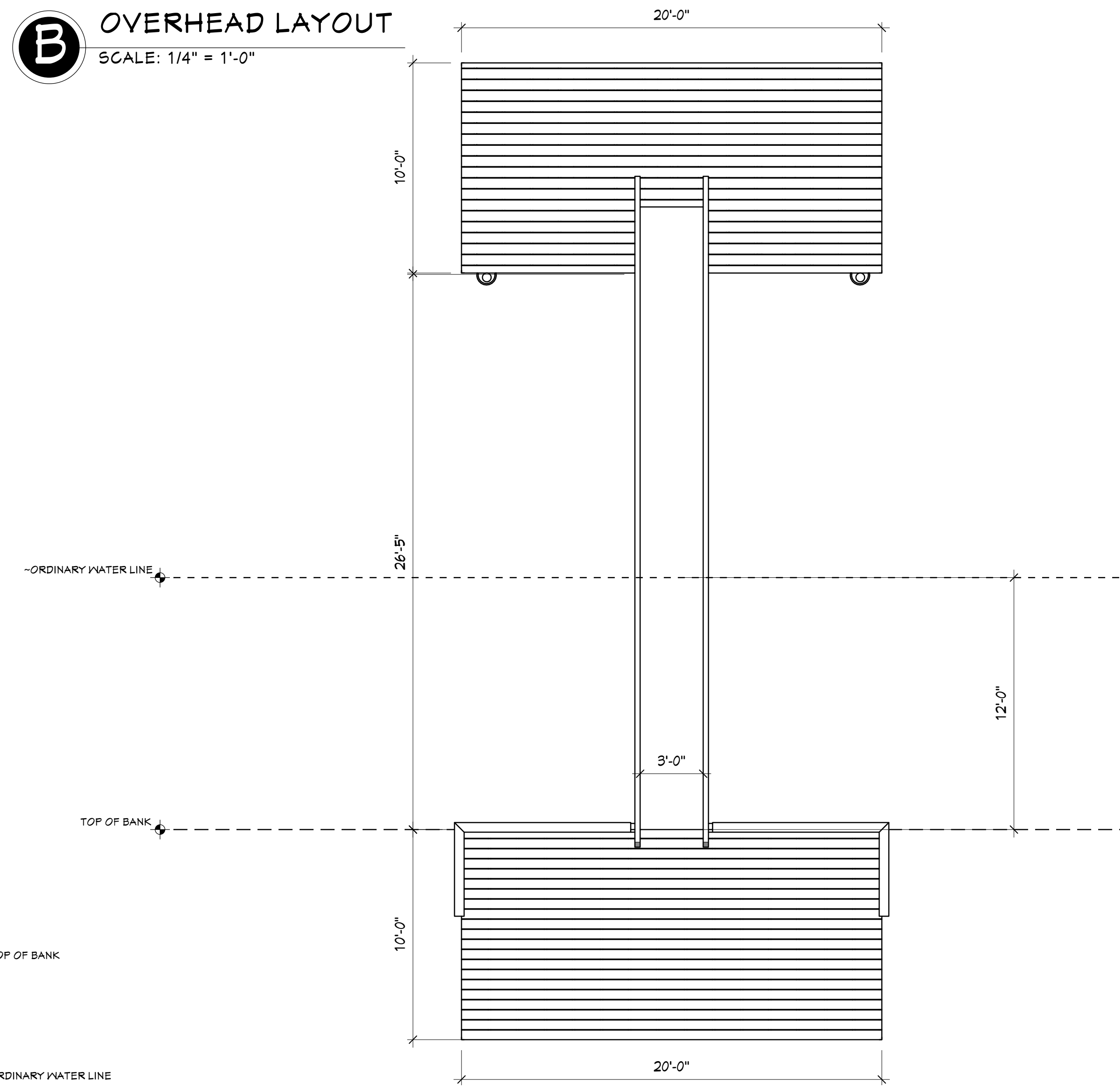
C PROFILE

SCALE: 1/4" = 1'-0"



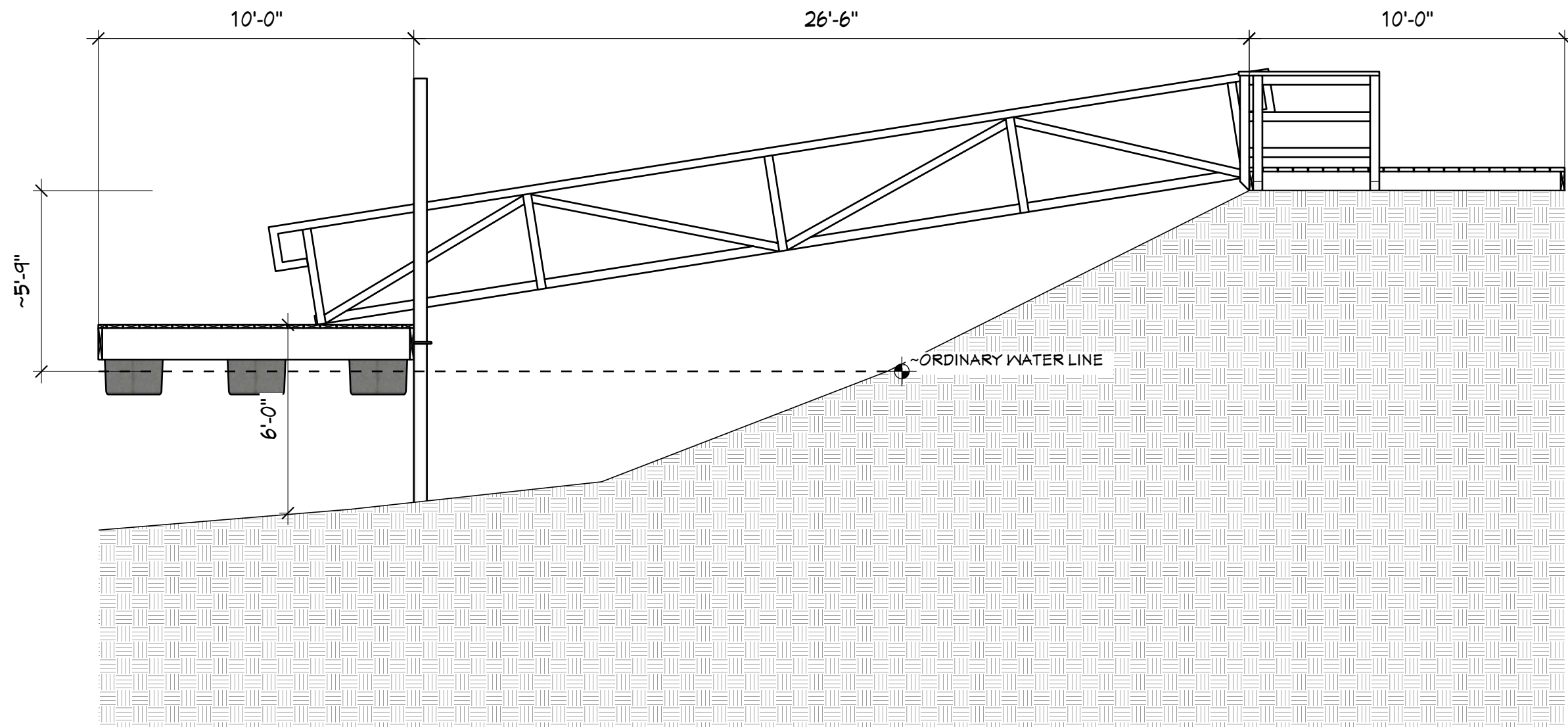
B OVERHEAD LAYOUT

SCALE: 1/4" = 1'-0"



D CROSS-SECTION

SCALE: 1/4" = 1'-0"



Designed by
Bruce Drawndy
REG. PROFESSIONAL ENGINEER
3/11/2026

COMPANY
SHORE BUILDERS
984 NE 24TH DR
NEWBERRY, FL 32669

CLIENT
BRUCE DRAWNDY
424 SW BLUFF DRIVE
FORT WHITE, FL 32038

ISSUE
03.11.26

PROJECT
DRAWNDY
DECK &
FLOATING
DOCK

DRAWN BY
BWT
DESCRIPTION
SITE MAP
OVERHEAD LAYOUT
PROFILE & CROSS-SECTION

