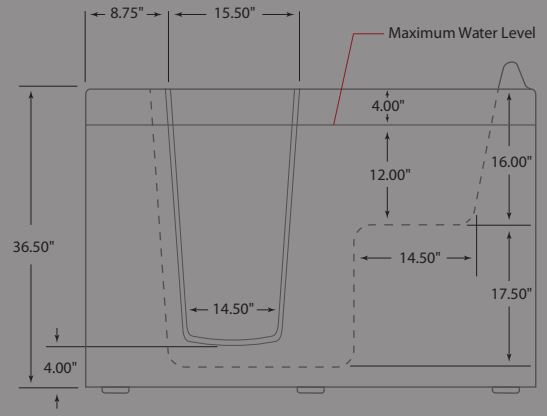
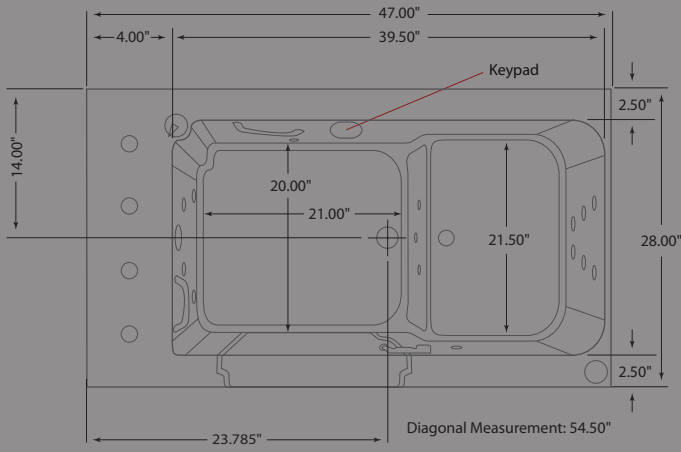
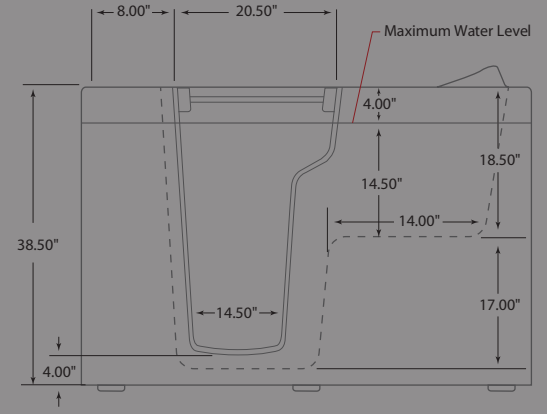
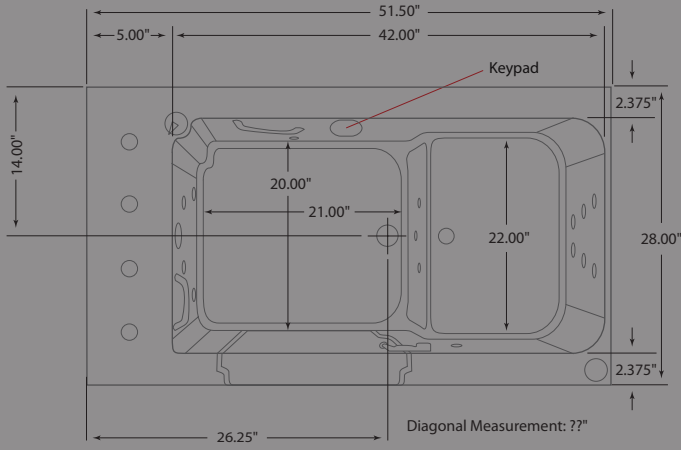


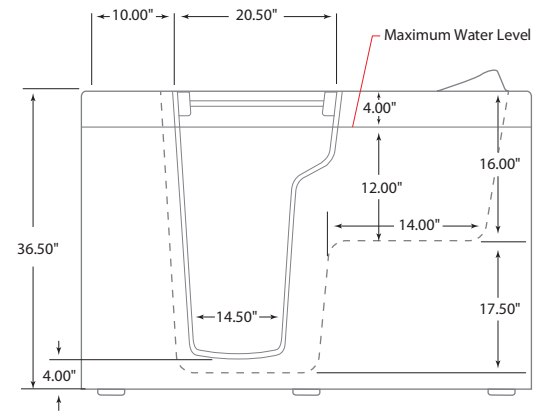
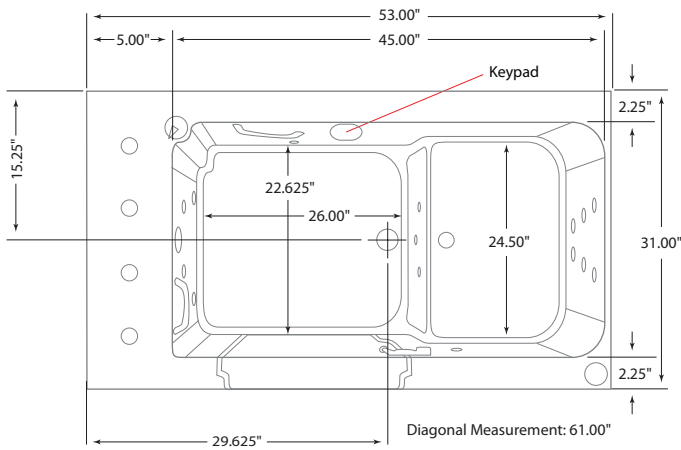
MODEL 2847



MODEL 5116



MODEL 3153





BASE MODEL	HEIGHT	LENGTH	WIDTH	STEP-IN	DECK WIDTH	DOOR WIDTH	SEAT DEPTH	SEAT HEIGHT	DRAIN D X W
2847	36.50"	47.00"	28.00"	3.875"	4.00"	15.75"	14.50"	17.00"	23.785" x 14"
5116	38.50"	51.00"	28.00"	3.875"	5.00"	20.50"	14.00"	17.00"	26.25" x 14"
3153	36.50"	53.00"	30.375"	3.875"	5.00"	20.50"	14.50"	17.00"	29.625" x 15 .25"

Description

- Thermostatic Roman Tub Filler with Shower
- Two way diverter with stop
- Brass tub spout
- Single setting handshower with pause function
- 1.8 GPM @ 80 PSI handshower
- 59" Metal shower hose
- Adjustable height shower with rain shower head

Standards

- Complies with IAPMO UPC/cUPC 
- ASME A112.18.1
- Complies with B125.1
- ADA Accessibility Guidelines for Buildings and Facilities - 4.27.4 
- ASSE 1070 Certified and Listed

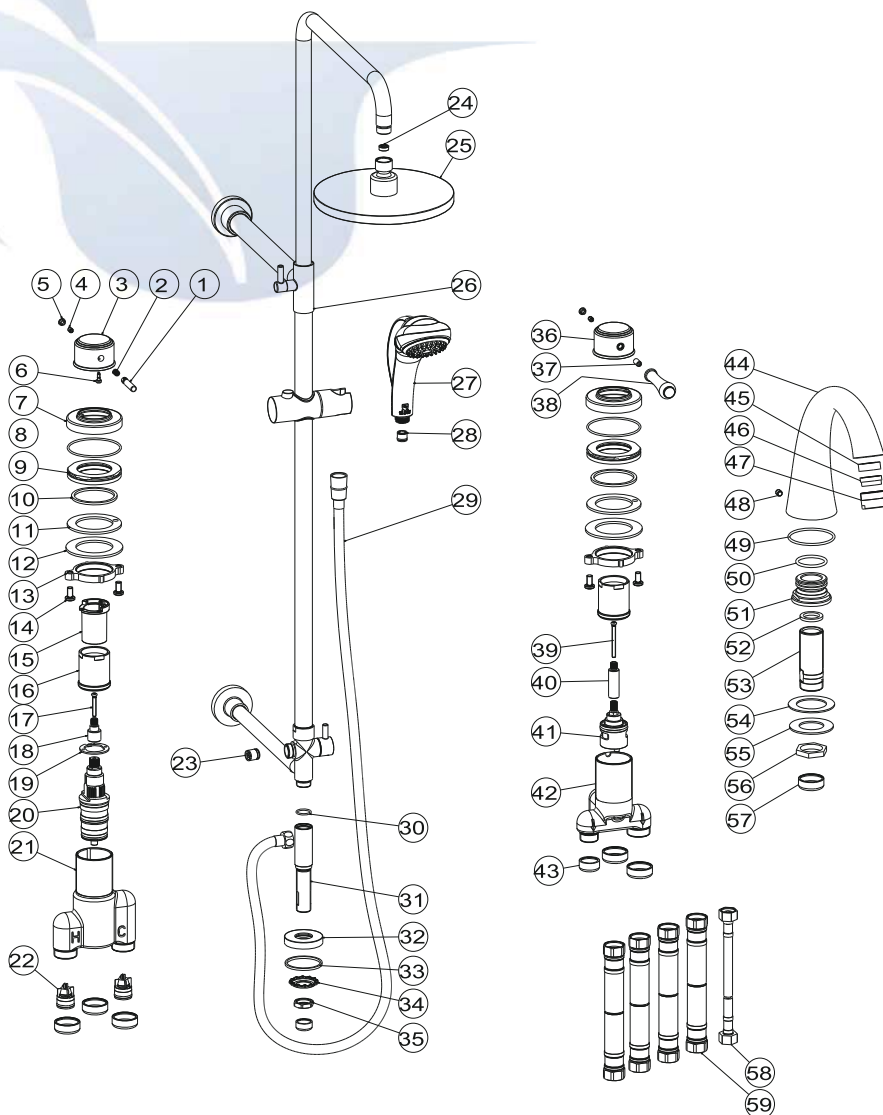
Colors / Finishes

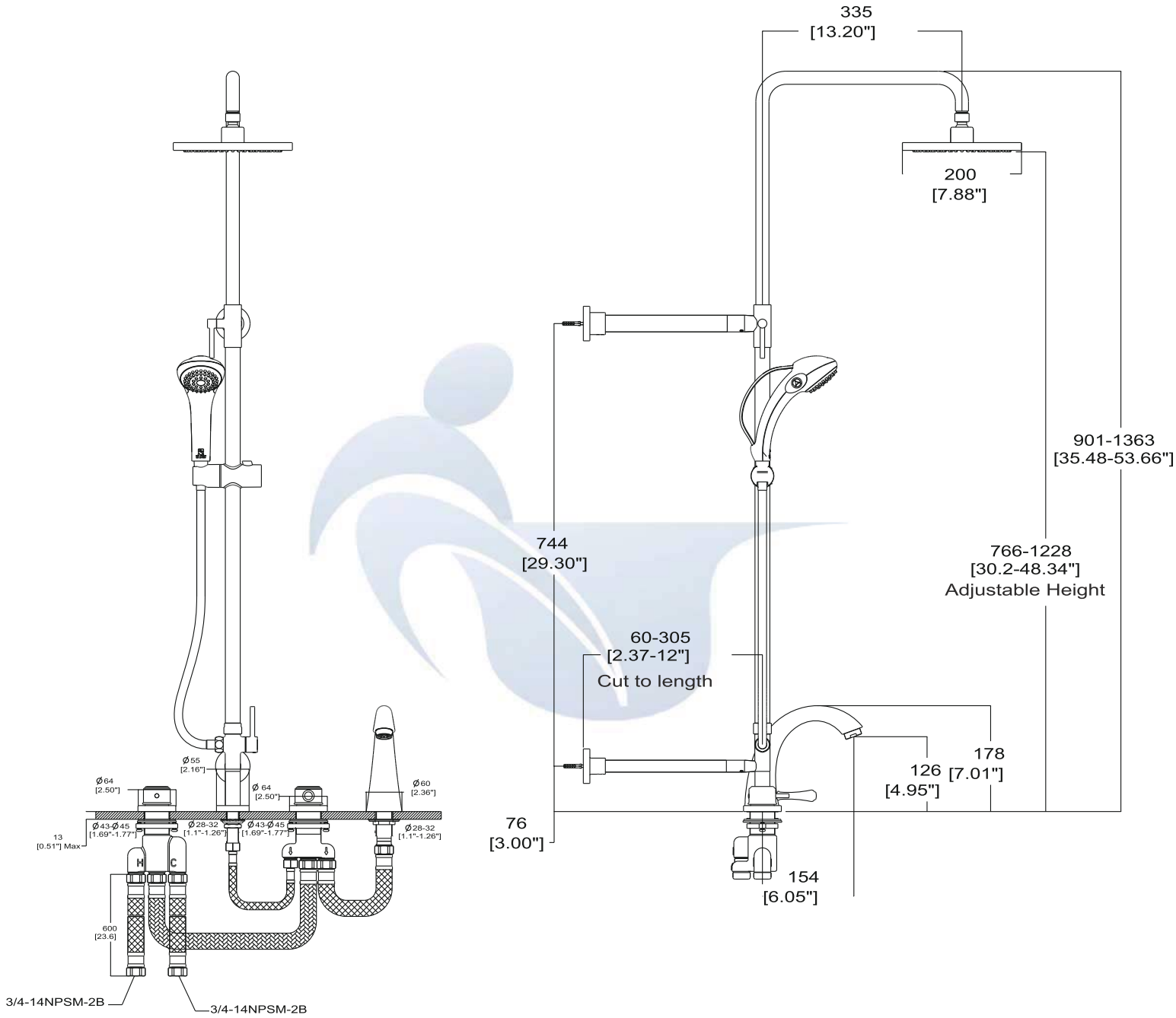
- SS900CP - Chrome
- SS900BN - Brushed Nickel
- SS900ORB - Oil Rubbed Bronze



BREAK DOWN

NO.	Drawing No.	Part Desc	Qty
1	CTHB0373	PUSH-BUTTON	1
2	CTBT0099	SPRING	1
3	CTDB0614	HANDLE BODY	1
4	CTST0117	SCREW	2
5	CTCP0072	CAP	2
6	CTBB0035	PIN	1
7	CTCB0938	COVER	2
8	CTRR0247	O-RING	2
9	CTNB0416	NUT	2
10	CTWR0384	WASHER	2
11	CTWR0350	WASHER	2
12	CTWT0107	PLATE	2
13	CTNB0415	NUT	2
14	CTST0308	SCREW	4
15	CTCP0561	STOP-RING	1
16	CTCB0937	LOCK SLEEVE	2
17	CTST0050	SCREW	1
18	CTMB0879	ADAPTER	1
19	CTKT0073	LOCATING RING	1
20	ATBA0370	CARTRIDGE	1
21	CTYB0765	BODY	1
22	ATBA0373	CHECKSTOP	2
23	ATBA4027	RESTRICTOR	1
24	ATBA0203	CHECKSTOP	1
25	ATBE0303	SHOWER	1
26	ATBP0819	SHOWER TUBE SET	1
27	ATBE0201	SHOWER	1
28	ATBA0212	CHECKSTOP	1
29	ATBP0056	HOSE	1
30	CTRR0045	O-RING	1
31	CTPB0651	CONNECTOR	1
32	CTCB0638	FLANGE	1
33	CTWR0114	WASHER	1
34	CTWT0093	PLATE	1
35	CTNB0348	NUT	1
36	CTDB0615	HANDLE BODY	1
37	CTST0136	SCREW	1
38	CTHB0187	HANDLE	1
39	CTST0309	SCREW	1
40	CTMB0880	ADAPTER	1
41	ATBA0239	DIVERTER	1
42	CTYB0766	BODY	1
43	CTQP0023	COVER	2
44	CTFB0275	SPOUT	1
45	CTWR0018	WASHER	1
46	CTQP0030	AERATOR	1
47	CTXB0021	AERATOR COVER	1
48	CTST0153	SCREW	1
49	CTRR0108	O-RING	1
50	CTRR0137	O-RING	1
51	CTDB0131	BASE	1
52	CTWR0146	WASHER	1
53	CTPB0649	SHANK	1
54	CTWR0115	WASHER	1
55	CTWT0038	PLATE	1
56	CTNB0156	NUT	1
57	CTQP0073	COVER	6
58	ATBP0313	HOSE	1
59	ATBP0516	HOSE	4





Inches marked in parentheses []

Item Number	Type	Date
SS900	Thermostatic Roman Tub Filler with Stand Up Shower	05/22/2024

DUAL PORT DRAIN SHOE WITH PUMPED DRAIN FEATURE

What it is:

The dual port drain shoe with pumped drain feature is the newest drain offered on Safe Step Microsoothe and Deluxe Walk-in Tubs. It is a combination of the following parts:

1. NuWhirl Quantum 2" Cable Drain System for Walk-in Tubs with Dual Port Drain Models DCE-450-XX
2. Reprogrammed CMBC
3. Diverter Valve
4. Flexible Hose and 1" to 1.5" PVC Union

What it does:

The system has two purposes:

1. The primary purpose is to act as an emergency backup drain should the primary cable drain fail to function. This will prevent occupants from getting stuck in the tub.
2. The secondary purpose is to assist in draining the tub faster under normal everyday conditions.

How it works:

Installers must explain the following on every installation

Under Emergency conditions, when the primary manual or powered drain cable has failed to lift the stopper, the pumped drain operates as a backup system to prevent occupants from getting stuck in their tub. It operates by pushing and holding the DRAIN Button on the Keypad for 3 seconds. During a 5 second interval the diverter will rotate from a position where it is feeding water to the tub's hydrotherapy recirculation system to a position where it is directing pumped water through the flexible tube which is attached to the dual port drain shoe and into the home's wastewater sewage line. The pump will run for 3 minutes then turn off. It will stop draining the tub when the water level gets down to the level of the suction port faceplate.

A second cycle may be initiated if the water level remains above the suction port faceplate. When it is done the door may be opened, however occupants can expect several gallons of water to spill onto the floor of the bathroom. Extreme caution is advised when exiting the tub using this emergency backup procedure.

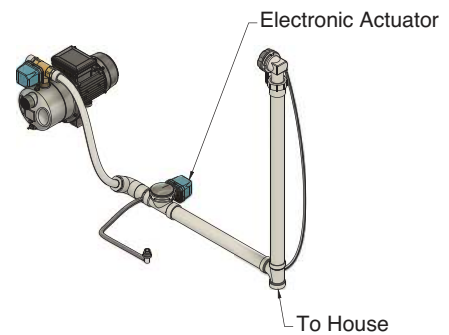
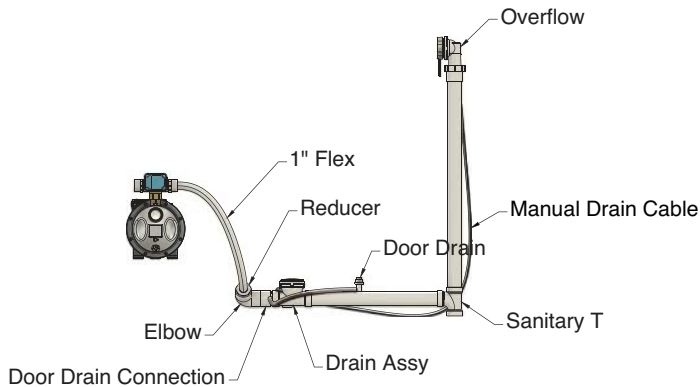
Under normal conditions, the user will fully open the drain cover electronically by pressing and holding the DRAIN Button on the keypad for 3 seconds. (If user prefers, they may open the drain cover manually by turning the stem on the overflow cover.) The drain cover will be automatically raised to the opened position while the diverter will rotate from a position where it is feeding the water to the tub's hydrotherapy recirculation system to a position where it is directing pumped water through the flexible tube which is attached to the dual port drain shoe and into the home's wastewater sewage line. The pump will run for 3 minutes then turn off. This will speed the time to drain the tub by approximately 10% under normal conditions. If the water is still above the suction port faceplate the DRAIN Button may be pushed and held for another 3 seconds to initiate a second pumped drain cycle.

MODEL DCE-450-XX DUAL PORT DRAIN SHOE WITH PUMPED DRAIN INSTALLATION

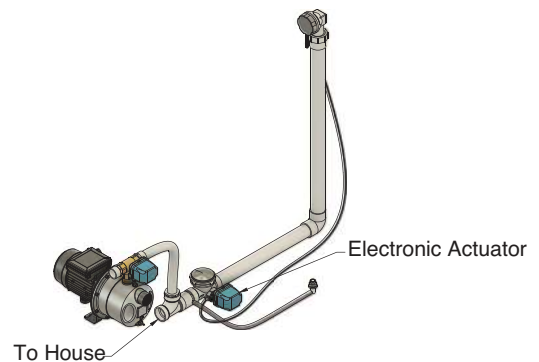
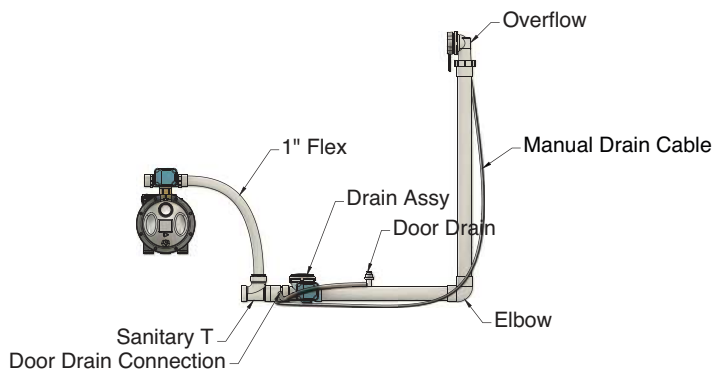
MICROSOOTHE & DELUXE TUB

Note: Installer must follow all local and national plumbing and building codes when installing tubs. Refer to manufacturers instructions for drain installation.

TUB FORWARD PLUMB



TUB REVERSE PLUMB





Configuration 1:

Custom Keypads CIDU-264-02-[14/15/16]-02
 Single Speed Pump, Dual Speed Bower, Microbubble

System Identification: CMBC-298-03-01-01

Note: This Controller is shipped with Configuration pre-set to 1.

Controller Installation Diagram

TO SURFACE HEATER PADS

24VDC Power Connector

Max 70 Watts Heater Blanket Load

Female Top Cord

TO MB2G10000[S/X]CB

MICROBUBBLE/BATH PUMP

Max 10A Load

To 120V GFCI
 Protected Receptacle
 15A according to the
 Controller Model

Female Rear Cord
 TO AIR BLOWER
 Max 10A Load

CCBL-372 x2 daisy chained or
 CCBL-376 "Y" Splitter

CICL-297 Tub Lights x2 Max
 Connect to "ICL Light"

CIDU-264-02-14/15/16-02 Keypad

Connect cable to
 3-position connector

CCBL-372
 Connect to "DISPLAY"

TO EDV310[L/R] JET/MICRO DIVERTER

Connect to "AUX 2"

TO EDV310Z[L/R] PUMPED DRAIN DIVERTER

Connect to "AUX 3"

TO DCE-[100/200]-XX CABLE DRAIN ACTUATOR

Connect to "AUX 4"

Notes:

1. Pumps equipped with air switch must be in the "ON" position prior to plugging into the controller.
2. The combined rating of both loads must not exceed the controllers amperage rating of 15A.
3. Connect only heater blankets to 24VDC power connector.
4. Connect cables to ports as shown. Installation may not require the use of all connection ports.

▲ CAUTION: Failure to connect cables to ports as shown, may damage the control box and its components and void any warranties.

CERTIFICATE OF COMPLIANCE

Certificate Number 20140117-E332700
Report Reference E332700-20100524
Issue Date 2014-JANUARY-17

Issued to: PRECISION POLYMERS L L C, DBA OLIVER
FIBERGLASS PRODUCTS
609 SWAN AVE HOHENWALD TN 38462-1231


This is to certify that representative samples of HYDROMASSAGE BATHTUBS
USL, CNL: Hydromassage Bathtubs, Model Walk-In Tub,
LP2848, LP2851, LP2853, LP3255, LP3153

Have been investigated by UL in accordance with the Standard(s) indicated on this Certificate.

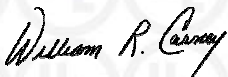
Standard(s) for Safety: Hydromassage Bathtubs, UL 1795
Hydromassage Bathtub Appliances, CSA C22.2 No. 218.2-93

Additional Information: See the UL Online Certifications Directory at www.ul.com/database for additional information

Only those products bearing the UL Listing Mark for the US and Canada should be considered as being covered by UL's Listing and Follow-Up Service meeting the appropriate requirements for US and Canada.

The UL Listing Mark for the US and Canada generally includes: the UL in a circle symbol with "C" and "US" identifiers:  the word "LISTED"; a control number (may be alphanumeric) assigned by UL; and the product category name (product identifier) as indicated in the appropriate UL Directory.

Look for the UL Listing Mark on the product.



William R. Carney, Director, North American Certification Programs
UL LLC

Any information and documentation involving UL Mark services are provided on behalf of UL LLC (UL) or any authorized licensee of UL. For questions, please contact a local UL Customer Service Representative at www.ul.com/contactus

