



**Product Approval**  
USER: Public User

[Product Approval Menu](#) > [Product or Application Search](#) > [Application List](#) > **Application Detail**

OFFICE OF THE SECRETARY

FL #	FL46734
Application Type	New
Code Version	2023
Application Status	Approved
	*Approved by DBPR. Approvals by DBPR shall be reviewed and ratified by the POC and/or the Commission if necessary.
Comments	
Archived	<input type="checkbox"/>
Product Manufacturer	Andersen Corporation
Address/Phone/Email	100 Fourth Avenue North Bayport, MN 55003 (651) 264-5308 alan.barstad@AndersenCorp.com
Authorized Signature	Alan Barstad alan.barstad@AndersenCorp.com
Technical Representative	
Address/Phone/Email	
Quality Assurance Representative	Alan Barstad
Address/Phone/Email	100 Fourth Avenue North Bayport, MN 55003 (651) 264-5308 abarstad@andersencorp.com
Category	Exterior Doors
Subcategory	Swinging Exterior Door Assemblies
Compliance Method	Evaluation Report from a Florida Registered Architect or a Licensed Florida Professional Engineer <input type="checkbox"/> Evaluation Report - Hardcopy Received
Florida Engineer or Architect Name who developed the Evaluation Report	Hermes F. Norero, P.E.
Florida License	PE-73778
Quality Assurance Entity	Window and Door Manufacturers Association-QA
Quality Assurance Contract Expiration Date	12/01/2030
Validated By	Zachary R. Priest, P.E. <input checked="" type="checkbox"/> Validation Checklist - Hardcopy Received
Certificate of Independence	<a href="#">FL46734_R0_COI_COI Andersen Corporation SS 2024-04-30.pdf</a>
Referenced Standard and Year (of Standard)	<b>Standard</b> AAMA/WDMA/CSA 101/I.S.2/A440 AAMA/WDMA/CSA 101/I.S.2/A440
	<b>Year</b> 2011 2017



## Product Evaluation Report

*of*

**Andersen Corporation  
Renewal by Andersen  
Ensemble Inswing Door  
(Non-HVHZ) (Non-Impact)**

*for*

**Florida Product Approval**

**FL# FL46734**

**Report No. 9169**

**Current Florida Building Code**

**Method: 1 – D (Engineering Evaluation)**  
**Category: Exterior Doors**  
**Sub – Category: Swinging Exterior Door Assemblies**

**Product: Ensemble Inswing Door**  
**Materials: Fibrex, Fiberglass, and Aluminum**  
**Product Dimensions: See Installation Instructions, AWD345**

**Prepared for:**

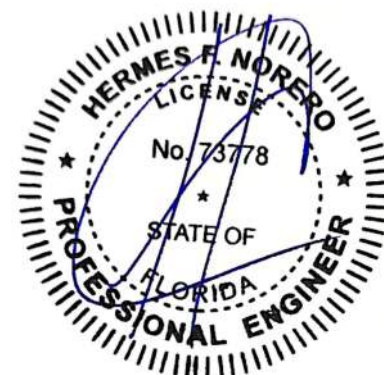
**Andersen Corporation  
100 Fourth Avenue N.  
Bayport, MN 55003-1096**

**Prepared by:**

**Hermes F. Norero, P.E.**  
Florida Professional Engineer # 73778  
Date: 5/2/2024

Contents:

Evaluation Report      Pages 1 – 4



1900 NE MIAMI CT. SUITE 2-15, MIAMI, FL 33132

**Manufacturer:** Andersen Corporation

**Product Category:** Exterior Doors

**Product Sub-Category:** Swinging Exterior Door Assemblies

**Compliance Method:** State Product Approval Method (1)(d)

**Product Name:** Ensemble Inswing Door  
(Non-HVHZ) (Non-Impact)

**Scope:** This is a Product Evaluation Report issued by Hermes F. Norero, P.E. (FL # 73778) for **Andersen Corporation** based on Method 1d of the State of Florida Product Approval, Department of Business and Professional Regulation - Florida Building Commission.

Hermes F. Norero, P.E. does not have nor will acquire financial interest in the company manufacturing or distributing the product or in any other entity involved in the approval process of the product named herein.

This product has been evaluated for use in locations adhering to the current Florida Building Code.

See Installation Instructions **AWD345**, signed and sealed by Hermes F. Norero, P.E. (FL # 73778) for specific use parameters.

**Limits of Use:**

1. This product has been evaluated and is in compliance with the current Florida Building Code, **excluding** the “High Velocity Hurricane Zone” (HVHZ).
2. Product anchors shall be as listed and spaced as shown on details. Anchor embedment into substrate material shall be beyond wall dressing or stucco.
3. When used in areas requiring wind borne debris protection this product complies with Chapter 16 of the current Florida Building Code and **does require** an impact resistant covering.
4. Site conditions that deviate from the details of installation instructions **AWD345** require further engineering analysis by a licensed engineer or registered architect.
5. See Installation Instructions **AWD345** for size and design pressure limitations.

1900 NE MIAMI CT. SUITE 2-15, MIAMI, FL 33132

**Quality Assurance:** The manufacturer has demonstrated compliance of manufacture of products in accordance with the Florida Building Code for manufacturing under a quality assurance program audited by an approved quality assurance entity through **Window and Door Manufacturers Association** (FBC Organization # QUA2515).

**Performance Standards:** The product described herein has been evaluated per:

- AAMA/WDMA/CAS 101/I.S.1/A440-11/17

**Referenced Data:**

1. Product Testing Performed by **Architectural Testing, Inc.** (FBC Organization # TST1558)

Report:	Dated:
P2518.01-201-47	01/23/2023
P3243.01-201-47	01/23/2023
P2519.01-201-47	01/23/2023
P2520.01-201-47	01/23/2023
P2522.01-201-47	01/23/2023
P2521.01-201-47	01/23/2023
P3198.01-201-47	01/23/2023
P3196.01-201-47	01/23/2023
P3197.01-201-47	01/23/2023
P3199.01-201-47	01/23/2023
P3200.01-201-47	01/23/2023
P3201.01-201-47	03/17/2023
P3202.01-201-47	01/23/2023
P3204.01-201-47	01/23/2023
P3205.01-201-47	01/23/2023
P7971.01-201-47	02/21/2023
P3203.01-201-47	02/22/2023

2. Quality Assurance  
**Window and Door Manufacturers Association**  
 (FBC Organization #: QUA2515)



**FL#:** FL46734  
**Report #:** 9169  
**Date:** 5/2/2024

---

1900 NE MIAMI CT. SUITE 2-15, MIAMI, FL 33132

**Installation:**

Refer to Installation Instructions (**AWD345**) for anchor types, spacing, and more details of the installation requirements.

**Design Pressure:**

Refer to Installation Instructions (**AWD345**) for design pressure configurations.

# ANDERSEN CORPORATION

## RENEWAL by ANDERSEN ENSEMBLE INSWING DOOR (NON-HVHZ) (NON-IMPACT)



100 FOURTH AVE. NORTH  
BAYPORT, MN 55003-1096  
PH: (651) 264-5150 FX: (651) 264-5485

**GENERAL NOTES:**

- THE PRODUCT SHOWN HEREIN IS DESIGNED AND MANUFACTURED TO COMPLY WITH THE CURRENT EDITION FLORIDA BUILDING CODE (FBC), **EXCLUDING** HVHZ AND HAS BEEN EVALUATED ACCORDING TO THE FOLLOWING:
  - AAMA/WDMA/CSA 101/I.S.2/A440-11/17
- ADEQUACY OF THE EXISTING STRUCTURAL CONCRETE/MASONRY, 2X FRAMING, AND METAL FRAMING AS A MAIN WIND FORCE RESISTING SYSTEM CAPABLE OF WITHSTANDING AND TRANSFERRING APPLIED PRODUCT LOADS TO THE FOUNDATION IS THE RESPONSIBILITY OF THE ENGINEER OR ARCHITECT OF RECORD FOR THE PROJECT OF INSTALLATION.
- 1X AND 2X BUCKS (WHEN USED) SHALL BE DESIGNED AND ANCHORED TO PROPERLY TRANSFER ALL LOADS TO THE STRUCTURE. BUCK DESIGN AND INSTALLATION IS THE RESPONSIBILITY OF THE ENGINEER OR ARCHITECT OF RECORD FOR THE PROJECT OF INSTALLATION.
- THE INSTALLATION DETAILS DESCRIBED HEREIN ARE GENERIC AND MAY NOT REFLECT ACTUAL CONDITIONS FOR A SPECIFIC SITE. IF SITE CONDITIONS CAUSE INSTALLATION TO DEVIATE FROM THE REQUIREMENTS DETAILED HEREIN, A LICENSED ENGINEER OR ARCHITECT SHALL PREPARE SITE SPECIFIC DOCUMENTS FOR USE WITH THIS DOCUMENT.
- APPROVED IMPACT PROTECTIVE SYSTEM **IS REQUIRED** ON THIS PRODUCT IN AREAS REQUIRING IMPACT RESISTANCE.
- DOOR FRAME MATERIAL: FIBREX, FIBERGLASS, AND ALUMINUM
- GLASS SHALL MEET THE REQUIREMENTS OF ASTM E 1300 GLASS CHARTS. SEE SHEETS 9 & 10 FOR GLAZING DETAILS.
- CUSTOM SIZES AVAILABLE UPON REQUEST. CUSTOM DESIGN PRESSURE WILL BE ASSIGNED EQUAL TO NEXT LARGER STANDARD SIZE.

TABLE OF CONTENTS	
SHEET	SHEET DESCRIPTION
1	GENERAL NOTES
2	ELEVATIONS
3	ELEVATIONS
4	ELEVATIONS
5	ELEVATIONS
6	DOOR SCHEDULE AND LOCK OPTION TABLE
7	STANDARD ANCHOR LAYOUTS
8	UPGRADE ANCHOR LAYOUTS
9	PANEL OPTIONS & GLAZING DETAILS
10	PANEL OPTIONS & GLAZING DETAILS
11	VERTICAL SECTIONS
12	VERTICAL SECTIONS
13	HORIZONTAL SECTIONS
14	ANCHOR DETAILS AND INSTALLATION NOTES
15	QUALIFIED PANEL CONFIGURATIONS

DESIGN PRESSURE RATING (PSF)		
FRAME SIZE	DESIGN PRESSURE	MISSILE IMPACT RATING
SEE SHEET 6	SEE SHEET 6	NON-IMPACT

TITLE: RENEWAL by ANDERSEN ENSEMBLE INSWING DOOR (NON-HVHZ) (NON-IMPACT)

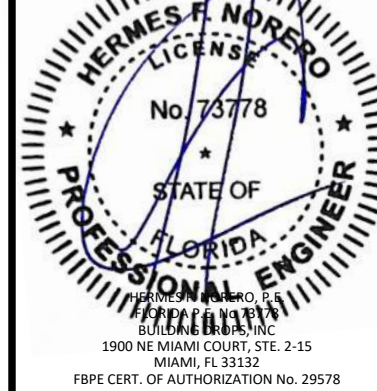
GENERAL NOTES

PREPARED BY: BUILDING DROPS, INC.  
1900 NE MIAMI COURT, STE. 2-15  
MIAMI, FL 33132  
PH: (954) 359-8478  
FAX: (954) 744-4738  
WEB: www.buildingdrops.com

REMARKS	BY	DATE

THE INSTALLATION DETAILS DESCRIBED HEREIN ARE GENERIC AND MAY NOT REFLECT ACTUAL CONDITIONS FOR A SPECIFIC SITE. IF SITE CONDITIONS CAUSE INSTALLATION TO DEVIATE FROM THE REQUIREMENTS DETAILED HEREIN, A LICENSED ENGINEER OR ARCHITECT SHALL PREPARE SITE SPECIFIC DOCUMENTS FOR USE WITH THIS DOCUMENT.

Digitally signed by Hermes F. Norero, P.E.  
Reason: I am approving this document  
Date: 2024.03.25 15:40:56 -0400



FL #: **FL46734**

DATE: **03.25.2024**

DWG. BY: **SH**      CHK. BY: **HFN**

SCALE: **NTS**

DWG. #: **AWD345**

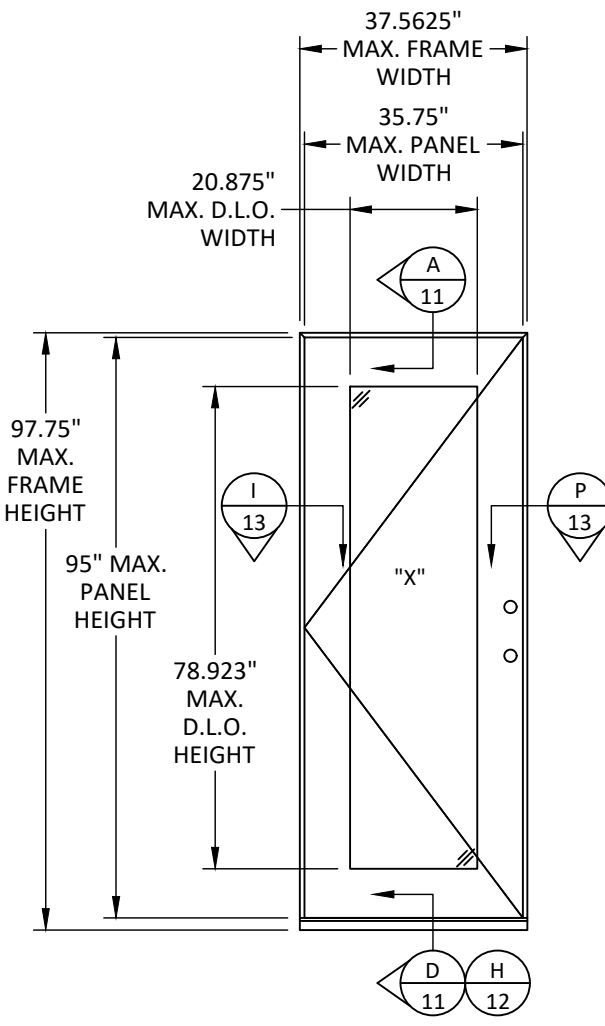
SHEET: **1** OF 15

5/2/2024 2:27 PM  
c:\users\sebastianhereros\building drops - common\projects\anderson windows\bc-22-0741 - fbc submittal - rba inswing door - non impact.dwg\awd345.dwg

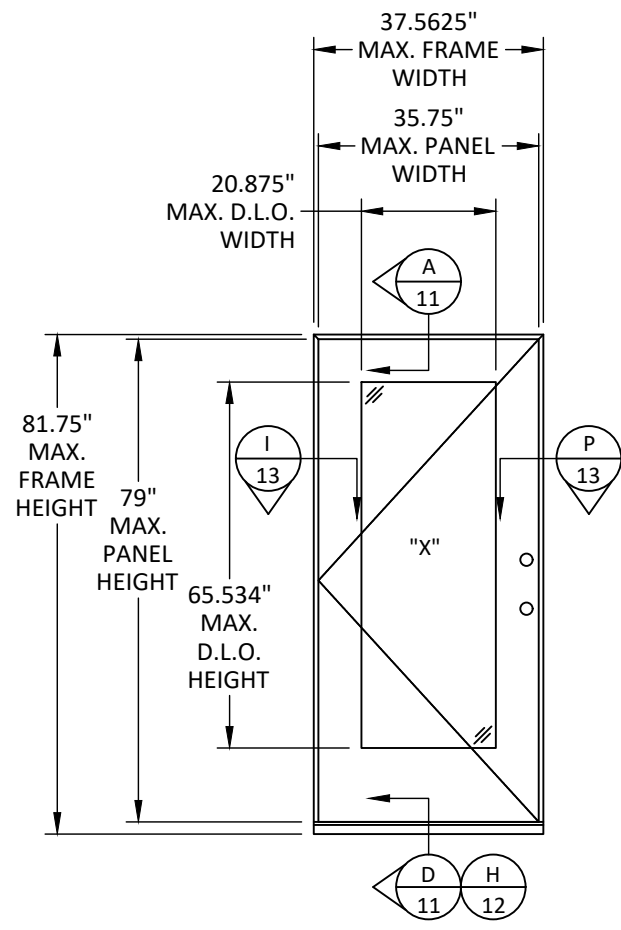
NOTE: SIZES SHOWN ARE MAXIMUM SIZES, CUSTOM SIZES AVAILABLE UPON REQUEST. REFER TO SHEET 15 FOR OTHER QUALIFIED PANEL CONFIGURATIONS AND SHEET 6 FOR PERFORMANCE GRADES AND DESIGN PRESSURES.



100 FOURTH AVE. NORTH  
BAYPORT, MN 55003-1096  
PH: (651) 264-5150 FX: (651) 264-5485

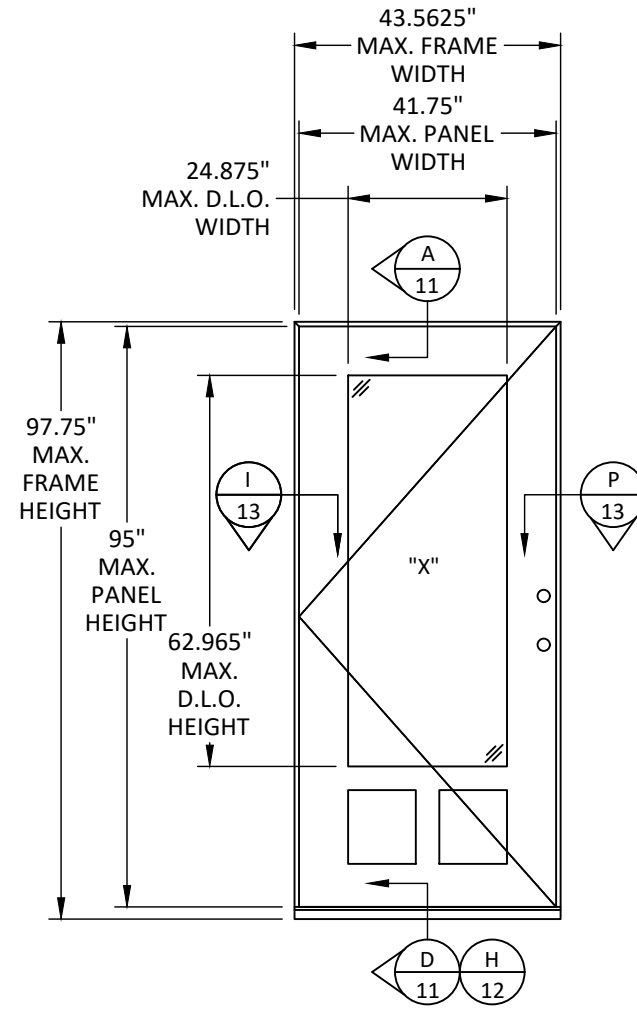


**ELEVATION**  
8' SINGLE OPERABLE DOOR



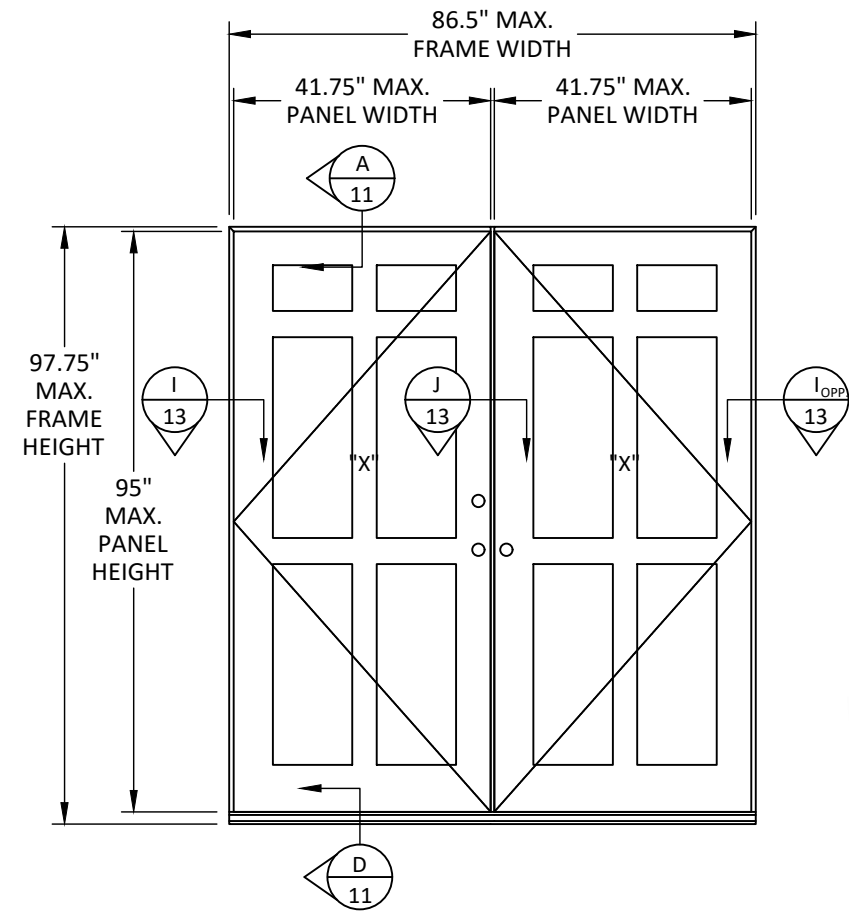
**ELEVATION**  
6'8" SINGLE OPERABLE DOOR

NOTE: SINGLE DOOR FRAME HEIGHT SHOWN IS WITH STANDARD SILL. FRAME HEIGHT WITH LOW THRESHOLD SILL IS 1" LESS.



**ELEVATION**  
8' SINGLE OPERABLE DOOR

NOTE: ALL PANEL TYPES ARE QUALIFIED FOR USE IN ALL CONFIGURATIONS. SEE SHEETS 9, 10, & 15 FOR PANEL OPTIONS.

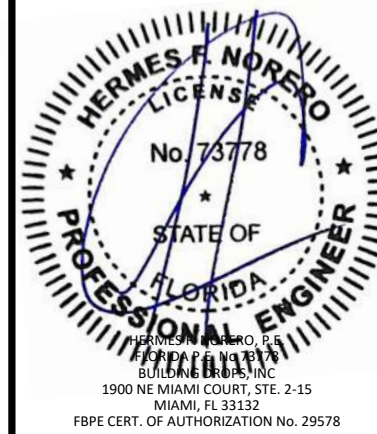


**ELEVATION**  
DOUBLE OPERABLE DOOR WITH OAK SOLID PANELS

TITLE: RENEWAL by ANDERSEN ENSEMBLE INSWING DOOR (NON-HVHZ) (NON-IMPACT)  
PREPARED BY: BUILDING DROPS, INC.  
1900 NE MIAMI COURT, STE. 2-15  
MIAMI, FL 33132  
PH: (954) 399-8478  
FAX: (954) 744-4738  
WEB: www.buildingdrops.com

REMARKS	BY	DATE

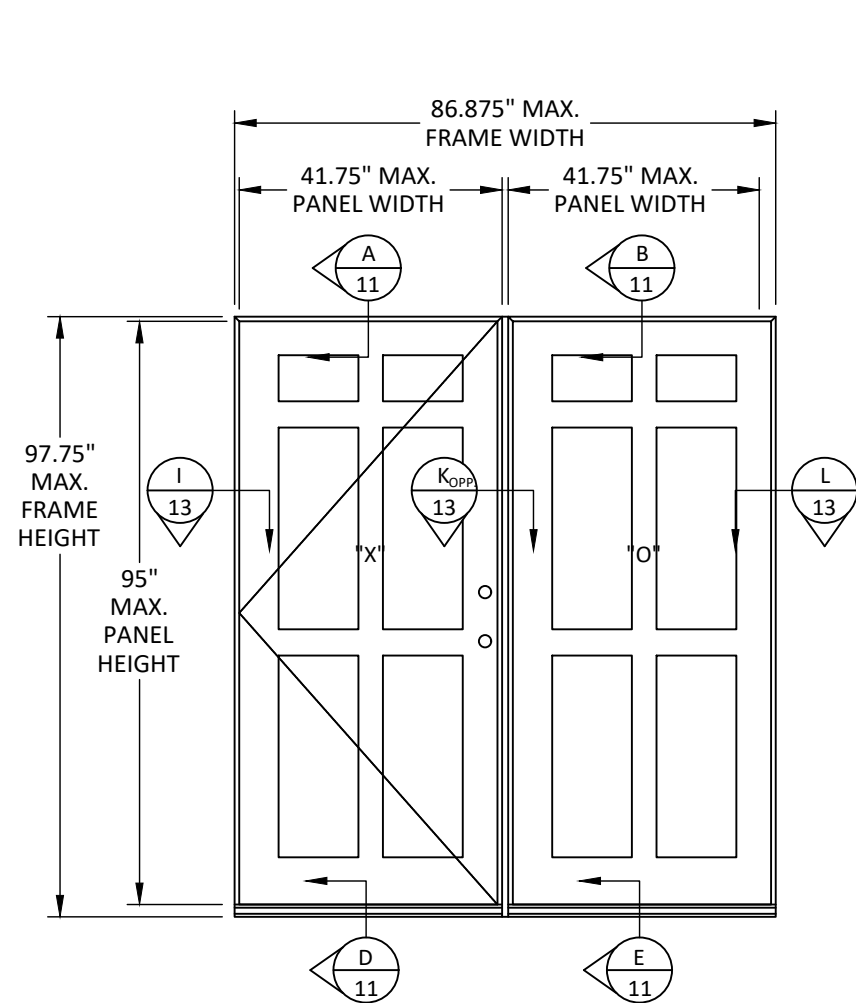
THE INSTALLATION DETAILS DESCRIBED HEREIN ARE GENERIC AND MAY NOT REFLECT ACTUAL CONDITIONS FOR A SPECIFIC SITE. IF SITE CONDITIONS CAUSE INSTALLATION TO DEVIATE FROM THE REQUIREMENTS DETAILED HEREIN, A LICENSED ENGINEER OR ARCHITECT SHALL PREPARE SITE SPECIFIC DOCUMENTS FOR USE WITH THIS DOCUMENT.



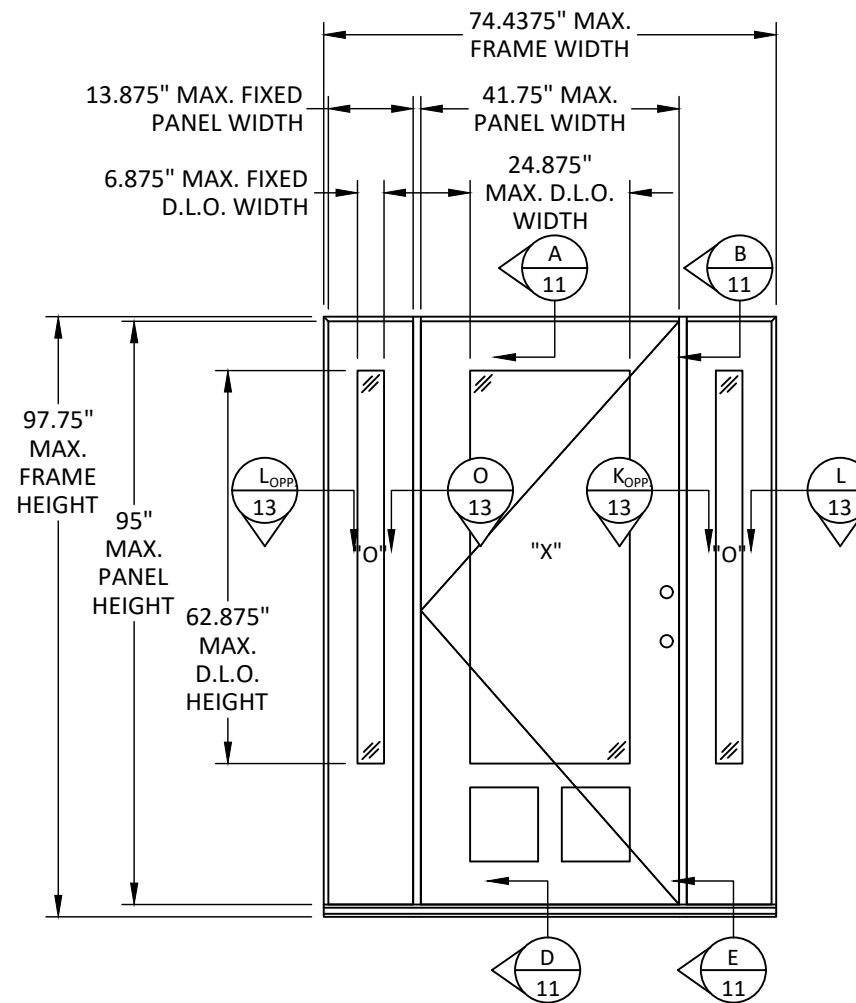
FL #: **FL46734**  
DATE: **03.25.2024**  
DWG. BY: **SH** | CHK. BY: **HFN**  
SCALE: **NTS**  
DWG. #: **AWD345**  
SHEET: **2** OF 15

5/2/2024 2:27 PM  
c:\users\sebastianh...common\projects\anderson windows\lbc-22-0741 - fbc submittal - rba inswing door - non impact.dwg\awd345.dwg

NOTE: SIZES SHOWN ARE MAXIMUM SIZES, CUSTOM SIZES AVAILABLE UPON REQUEST. REFER TO SHEET 15 FOR OTHER QUALIFIED PANEL CONFIGURATIONS AND SHEET 6 FOR PERFORMANCE GRADES AND DESIGN PRESSURES.



**ELEVATION**  
DOUBLE DOOR, SINGLE ACTIVE  
WITH OAK SOLID PANELS



**ELEVATION**  
8' SINGLE DOOR W/ PANEL SET SIDELITES  
WITH TRADITIONAL LIPLITE PANELS

NOTE: ALL PANEL TYPES ARE QUALIFIED FOR USE IN ALL CONFIGURATIONS. SEE SHEETS 9, 10, & 15 FOR PANEL OPTIONS.



100 FOURTH AVE. NORTH  
BAYPORT, MN 55003-1096  
PH: (651) 264-5150 FX: (651) 264-5485

TITLE: RENEWAL by ANDERSEN  
ENSEMBLE INSWING DOOR  
(NON-HVHZ) (NON-IMPACT)

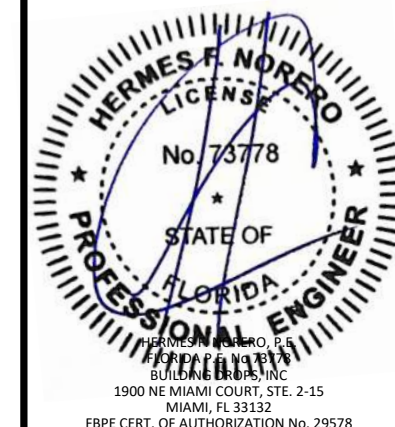
ELEVATIONS

PREPARED BY:  
**BUILDING DROPS, INC.**  
1900 NE MIAMI COURT, STE. 2-15  
MIAMI, FL 33132  
PH: (954) 399-8478  
FAX: (954) 744-4738  
WEB: www.buildingdrops.com



REMARKS	BY	DATE

THE INSTALLATION DETAILS DESCRIBED HEREIN ARE GENERIC AND MAY NOT REFLECT ACTUAL CONDITIONS FOR A SPECIFIC SITE. IF SITE CONDITIONS CAUSE INSTALLATION TO DEVIATE FROM THE REQUIREMENTS DETAILED HEREIN, A LICENSED ENGINEER OR ARCHITECT SHALL PREPARE SITE SPECIFIC DOCUMENTS FOR USE WITH THIS DOCUMENT.



FL #:

**FL46734**

DATE: **03.25.2024**

DWG. BY:  
**SH**

CHK. BY:  
**HFN**

SCALE: **NTS**

DWG. #: **AWD345**

SHEET:

**3**

OF 15

5/2/2024 2:27 PM  
c:\users\sebastianherrerros\building drops, inc\building drops landing - common\projects\anderson windows\fb-c-22-0741 - fbc submittal - rba inswing door - non impact.dwg\awd345.dwg

NOTE: SIZES SHOWN ARE MAXIMUM SIZES, CUSTOM SIZES AVAILABLE UPON REQUEST. REFER TO SHEET 15 FOR OTHER QUALIFIED PANEL CONFIGURATIONS AND SHEET 6 FOR PERFORMANCE GRADES AND DESIGN PRESSURES.



100 FOURTH AVE. NORTH  
BAYPORT, MN 55003-1096  
PH: (651) 264-5150 FX: (651) 264-5485

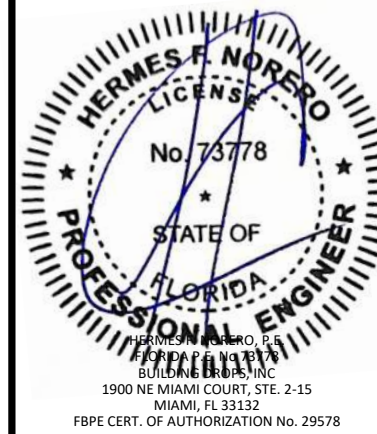
TITLE: RENEWAL by ANDERSEN  
ENSEMBLE INSWING DOOR  
(NON-HVHZ) (NON-IMPACT)  
ELEVATIONS

PREPARED BY:  
BUILDING DROPS, INC.  
1900 NE MIAMI COURT, STE. 2-15  
MIAMI, FL 33132  
PH: (954) 399-8478  
FAX: (954) 744-4738  
WEB: www.buildingdrops.com

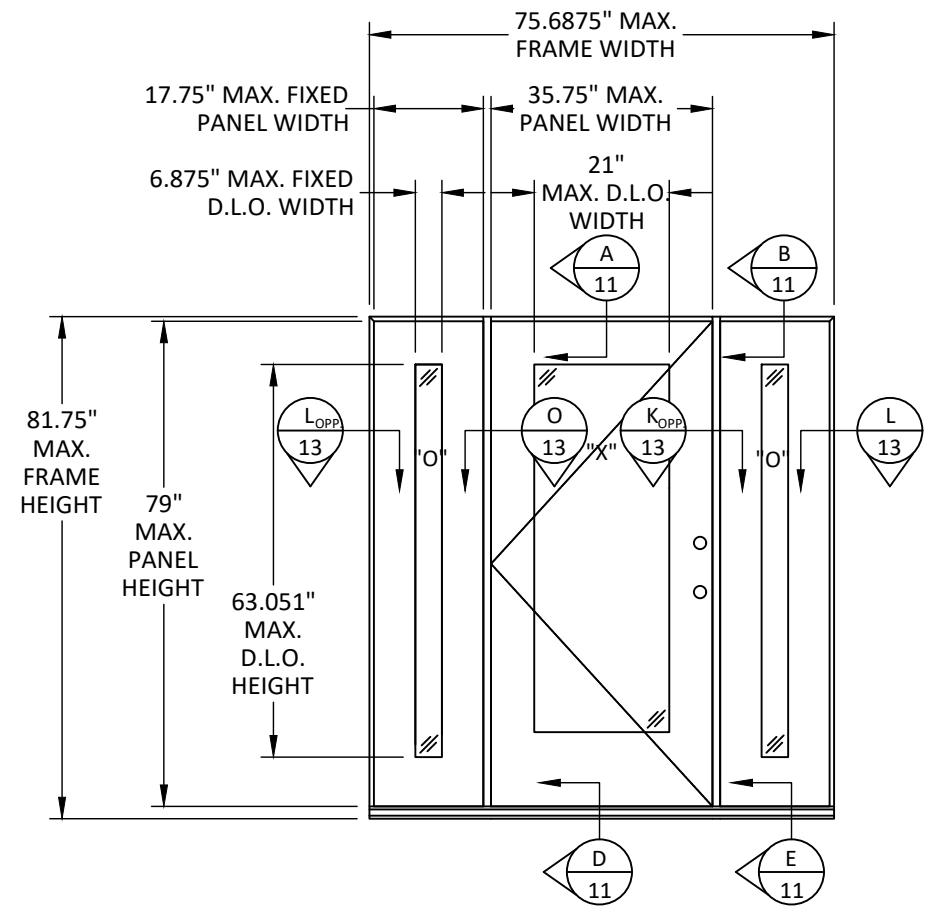


REMARKS	BY	DATE

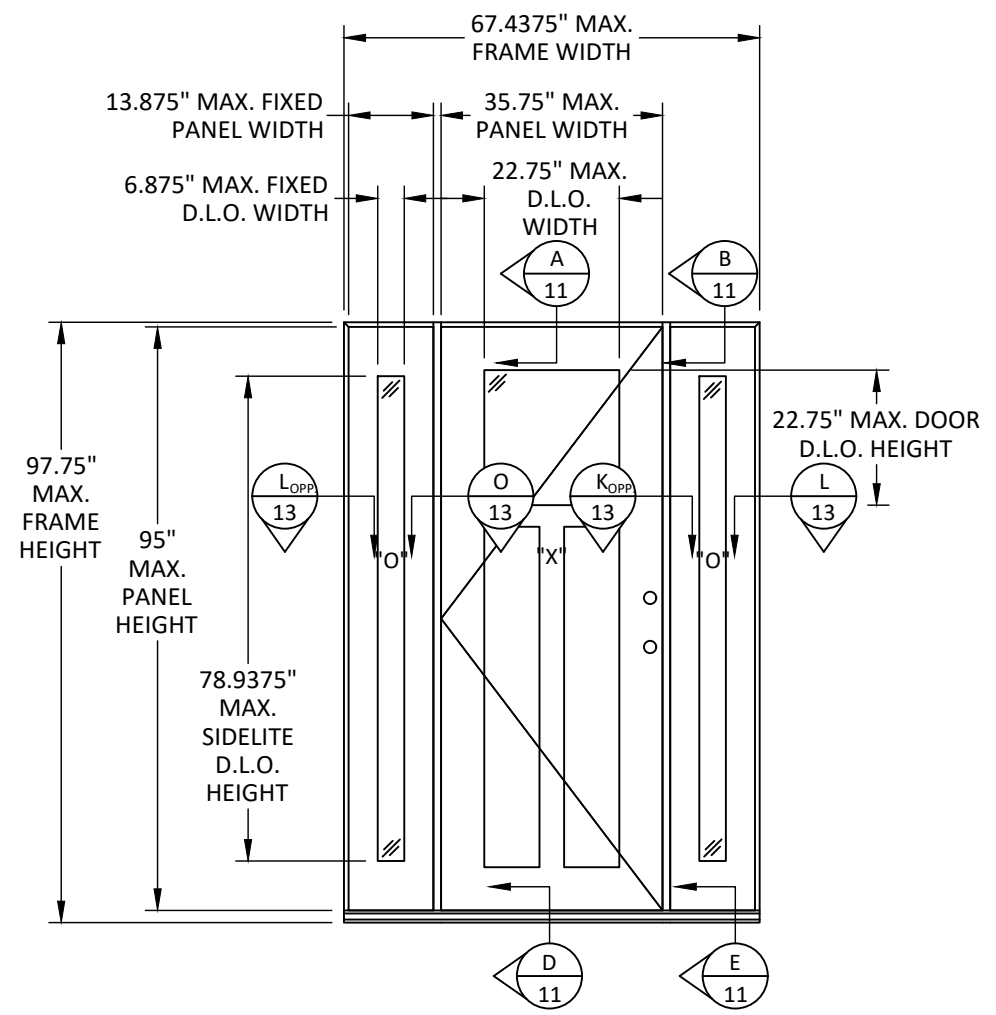
THE INSTALLATION DETAILS DESCRIBED HEREIN ARE GENERIC AND MAY NOT REFLECT ACTUAL CONDITIONS FOR A SPECIFIC SITE. IF SITE CONDITIONS CAUSE INSTALLATION TO DEVIATE FROM THE REQUIREMENTS DETAILED HEREIN, A LICENSED ENGINEER OR ARCHITECT SHALL PREPARE SITE SPECIFIC DOCUMENTS FOR USE WITH THIS DOCUMENT.



FL #:	<b>FL46734</b>
DATE:	<b>03.25.2024</b>
DWG. BY:	<b>SH</b>
CHK. BY:	<b>HFN</b>
SCALE:	<b>NTS</b>
DWG. #:	<b>AWD345</b>
SHEET:	<b>4</b>
	<b>OF 15</b>



**ELEVATION**  
6'8" SINGLE DOOR W/ PANEL SET SIDELITES  
WITH TRADITIONAL LIPLITE PANELS

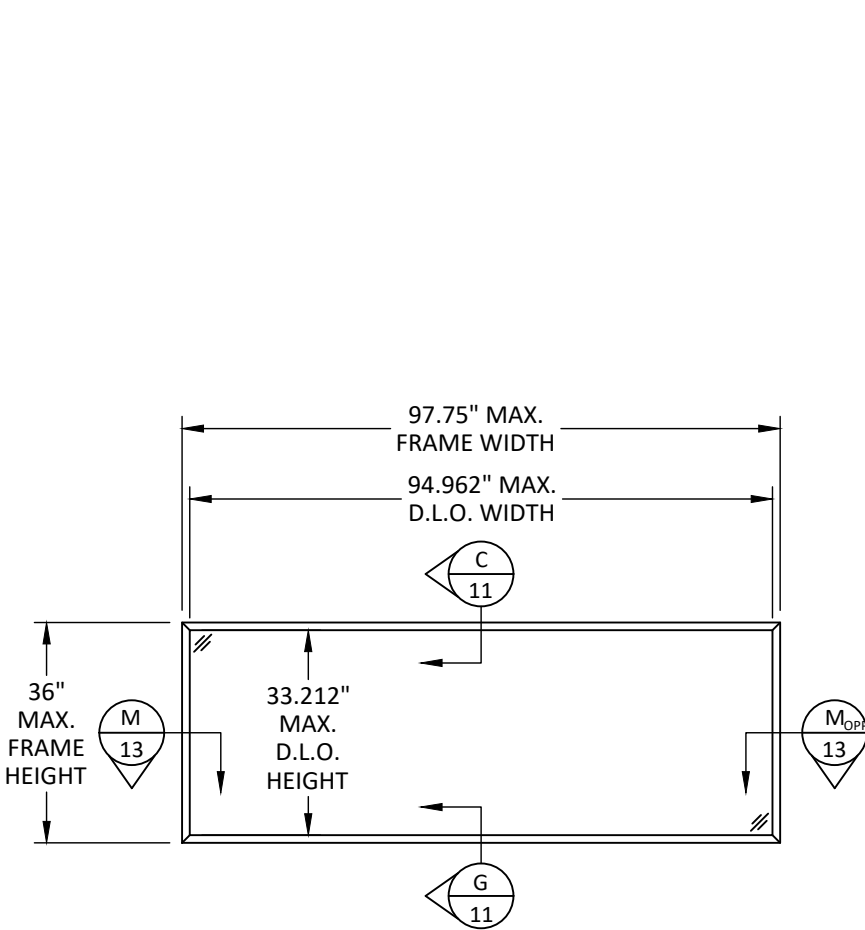


**ELEVATION**  
SINGLE DOOR W/ PANEL SET SIDELITES  
WITH TEAK FLUSHLITE PANELS

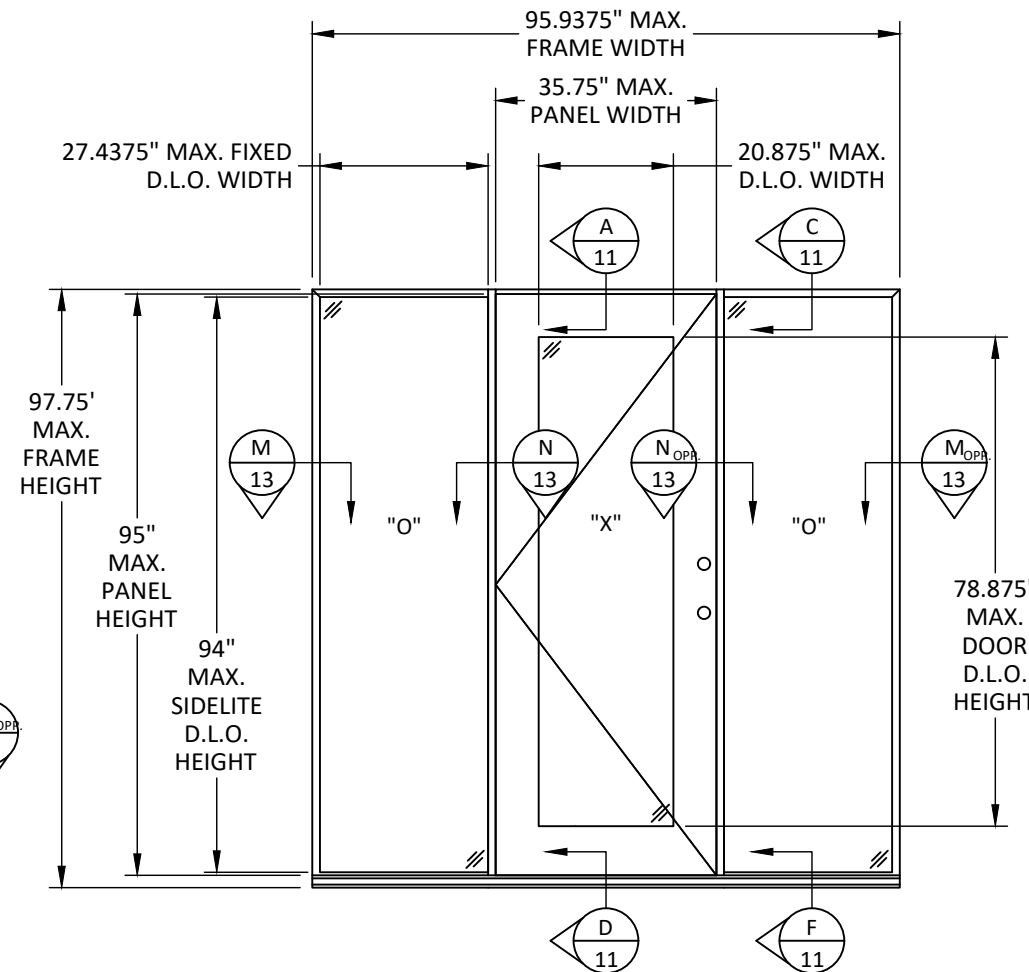
NOTE: ALL PANEL TYPES ARE QUALIFIED FOR USE IN ALL CONFIGURATIONS. SEE SHEETS 9, 10, & 15 FOR PANEL OPTIONS.

5/2/2024 2:27 PM  
c:\users\sebastianh\documents\projects\anderson windows\fbw-22-0741 - fbc submittal - rba inswing door - non impact.dwg\awd345.dwg

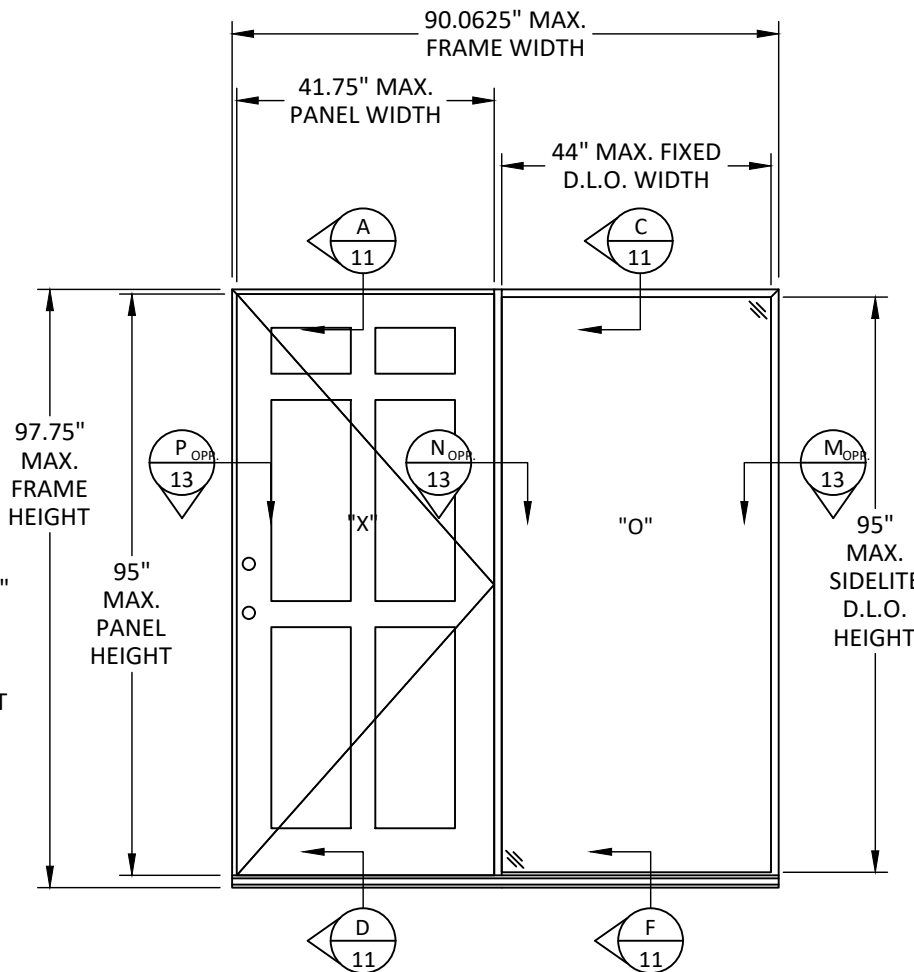
NOTE: SIZES SHOWN ARE MAXIMUM SIZES, CUSTOM SIZES AVAILABLE UPON REQUEST. REFER TO SHEET 15 FOR OTHER QUALIFIED PANEL CONFIGURATIONS AND SHEET 6 FOR PERFORMANCE GRADES AND DESIGN PRESSURES.



**ELEVATION**  
TRANSOM



**ELEVATION**  
SINGLE DOOR W/ DIRECT SET SIDELITES  
WITH SMOOTH FLUSHLITE PANELS



**ELEVATION**  
SINGLE DOOR W/ DIRECT SET SIDELITE  
WITH OAK SOLID PANEL

NOTE: ALL PANEL TYPES ARE QUALIFIED FOR USE IN ALL CONFIGURATIONS. SEE SHEETS 9, 10, & 15 FOR PANEL OPTIONS.



100 FOURTH AVE. NORTH  
BAYPORT, MN 55003-1096  
PH: (651) 264-5150 FX: (651) 264-5485

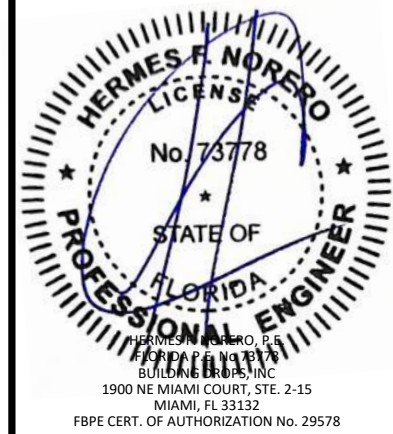
TITLE: RENEWAL by ANDERSEN  
ENSEMBLE INSWING DOOR  
(NON-HVHZ) (NON-IMPACT)  
ELEVATIONS

PREPARED BY:  
**BUILDING DROPS, INC.**  
1900 NE MIAMI COURT, STE. 2-15  
MIAMI, FL 33132  
PH: (954) 399-8478  
FAX: (954) 744-4738  
WEB: www.buildingdrops.com



REMARKS	BY	DATE

THE INSTALLATION DETAILS DESCRIBED HEREIN ARE GENERIC AND MAY NOT REFLECT ACTUAL CONDITIONS FOR A SPECIFIC SITE. IF SITE CONDITIONS CAUSE INSTALLATION TO DEVIATE FROM THE REQUIREMENTS DETAILED HEREIN, A LICENSED ENGINEER OR ARCHITECT SHALL PREPARE SITE SPECIFIC DOCUMENTS FOR USE WITH THIS DOCUMENT.



FL #: **FL46734**

DATE: **03.25.2024**

DWG. BY: **SH**      CHK. BY: **HFN**

SCALE: **NTS**

DWG. #: **AWD345**

SHEET:  
**5**  
OF 15

5/2/2024 2:27 PM

c:\users\sebastianhereros\building drops, inc\building drops landing - common\projects\anderson windows\bc-22-0741 - fbc submittal - rba inswing door - non impact.dwg\awd345.dwg

DOOR SCHEDULE										
UNIT	CONFIGURATION	O.A. WIDTH	O.A. HEIGHT	CATEGORY	PG RATING	DESIGN PRESSURE +/- (PSF)	THRESHOLD	LOCK OPTION	DROP NOSE	LOAD TRANSFER BRACKET
1	X	37.5625	80.75	STANDARD	PG30 - LWSHDX	30.0	LOW	1		
2	X	37.5625	80.75	DPUP	PG50 - LWSHDX	50.0	LOW	1		
3	X	37.5625	80.75	STANDARD	PG30 - LWSHD	30.0	LOW	2, 3		
4	X	37.5625	80.75	DPUP	PG50 - LWSHD	50.0	LOW	2, 3		
5	X	43.5625	96.75	STANDARD	PG30 - LWSHD	30.0	LOW	2		
6	X	43.5625	96.75	DPUP	PG50 - LWSHD	50.0	LOW	2		
7	X	37.5625	81.75	STANDARD	PG30 - SHDX	30.0	STANDARD	1		
8	X	37.5625	81.75	DPUP	PG30 - SHDX	50.0	STANDARD	1		
9	X	37.5625	81.75	STANDARD	PG30 - SHD	30.0	STANDARD	2, 3		
10	X	37.5625	81.75	DPUP	PG30 - SHD	50.0	STANDARD	2, 3		
11	X	43.5625	97.75	STANDARD	PG30 - SHD	30.0	STANDARD	2		
12	X	43.5625	97.75	DPUP	PG30 - SHD	50.0	STANDARD	2		
13	X	43.5625	97.75	PGUP	PG50 - SHD	50.0	STANDARD	2	X	
14	XX	74.50	81.75	STANDARD	PG25 - SHDX	30.0	STANDARD	1		
15	XX	74.50	81.75	DPUP	PG25 - SHDX	40.0	STANDARD	1		X
16	XX	74.50	81.75	STANDARD	PG25 - SHD	30.0	STANDARD	2		
17	XX	74.50	97.75	STANDARD	PG25 - SHD	30.0	STANDARD	2		
18	XX	74.50	97.75	DPUP	PG25 - SHD	50.0	STANDARD	2		X
19	XX	74.50	97.75	PGUP	PG30 - SHD	50.0	STANDARD	2	X	X
20	XX	86.50	97.75	STANDARD	PG25 - SHD	30.0	STANDARD	2		
21	XX	86.50	97.75	DPUP	PG25 - SHD	40.0	STANDARD	2		X
22	XX	86.50	97.75	PGUP	PG30 - SHD	40.0	STANDARD	2	X	X
23	XO	74.875	81.75	STANDARD	PG30 - SHDX	30.0	STANDARD	1		
24	XO	74.875	81.75	DPUP	PG30 - SHDX	50.0	STANDARD	1		X
25	XO	74.875	81.75	STANDARD	PG30 - SHD	30.0	STANDARD	2, 3		
26	XO	74.875	81.75	DPUP	PG30 - SHD	50.0	STANDARD	2, 3		X
27	XO	86.875	97.75	STANDARD	PG30 - SHD	30.0	STANDARD	2		
28	XO	86.875	97.75	DPUP	PG30 - SHD	50.0	STANDARD	2		X
29	XO	86.875	97.75	PGUP	PG50 - SHD	50.0	STANDARD	2	X	X
30	OXO	75.6875	81.75	STANDARD	PG30 - SHDX	30.0	STANDARD	1		
31	OXO	75.6875	81.75	DPUP	PG30 - SHDX	50.0	STANDARD	1		X
32	OXO	75.6875	81.75	STANDARD	PG30 - SHD	30.0	STANDARD	2, 3		
33	OXO	75.6875	81.75	DPUP	PG30 - SHD	50.0	STANDARD	2, 3		X
34	OXO	74.4375	97.75	STANDARD	PG30 - SHD	30.0	STANDARD	2		
35	OXO	74.4375	97.75	DPUP	PG30 - SHD	50.0	STANDARD	2		X
36	OXO	74.4375	97.75	PGUP	PG50 - SHD	50.0	STANDARD	2	X	X
37	OXO DIRECT SET	96.00	81.75	STANDARD	PG30 - SHDX	30.0	STANDARD	1		
38	OXO DIRECT SET	96.00	81.75	DPUP	PG30 - SHDX	50.0	STANDARD	1		X
39	OXO DIRECT SET	96.00	81.75	STANDARD	PG30 - SHD	30.0	STANDARD	2, 3		
40	OXO DIRECT SET	96.00	81.75	DPUP	PG30 - SHD	50.0	STANDARD	2, 3		X
41	OXO DIRECT SET	96.00	97.75	STANDARD	PG30 - SHD	30.0	STANDARD	2		
42	OXO DIRECT SET	96.00	97.75	DPUP	PG30 - SHD	50.0	STANDARD	2		X
43	OXO DIRECT SET	96.00	97.75	PGUP	PG50 - SHD	50.0	STANDARD	2	X	X
44	XO DIRECT SET	84.0625	81.75	STANDARD	PG30 - SHDX	30.0	STANDARD	1		
45	XO DIRECT SET	84.0625	81.75	DPUP	PG30 - SHDX	50.0	STANDARD	1		X
46	XO DIRECT SET	84.0625	81.75	STANDARD	PG30 - SHD	30.0	STANDARD	2, 3		
47	XO DIRECT SET	84.0625	81.75	DPUP	PG30 - SHD	50.0	STANDARD	2, 3		X
48	XO DIRECT SET	96.0625	97.75	STANDARD	PG30 - SHD	30.0	STANDARD	2		
49	XO DIRECT SET	96.0625	97.75	DPUP	PG30 - SHD	50.0	STANDARD	2		X
50	XO DIRECT SET	96.0625	97.75	PGUP	PG50 - SHD	50.0	STANDARD	2	X	X
51	O	43.5625	97.75	STANDARD	PG30 - SHD	30.0	STANDARD	N/A		
52	O	43.5625	97.75	DPUP	PG30 - SHD	50.0	STANDARD	N/A		
53	O	43.5625	97.75	PGUP	PG50 - SHD	50.0	STANDARD	N/A	X	
54	O	97.75	36.00	STANDARD	PG30 - SHD	30.0	N/A	N/A		
55	O	97.75	36.00	DPUP	PG50 - SHD	50.0	N/A	N/A		

LOCK SCHEDULE	
LOCK OPTION	LOCK DESCRIPTION
1	DOUBLE CROSS BORE: ACTIVE PANEL: CYLINDRICAL DEADBOLT WITH CYLINDRICAL LOCK HANDLE ASSEMBLY. PASSIVE PANEL: SHOOT BOLTS AT TOP AND BOTTOM WITH A CYLINDRICAL LOCK HANDLE AND PASSIVE LOCK LEVER ASSEMBLY.
2	MULTI-POINT MORTISE LOCK: ACTIVE PANEL: ANDERSEN 4-POINT LOCK WITH DEADBOLT AND LOCK HANDLE ASSEMBLY. PASSIVE PANEL: SHOOT BOLTS AT TOP AND BOTTOM WITH A LOCK HANDLE ASSEMBLY.
3	SINGE POINT MORTISE LOCK ACTIVE PANEL: ANDERSEN 2-POINT LOCK WITH DEADBOLT AND LOCK HANDLE ASSEMBLY.



100 FOURTH AVE. NORTH  
BAYPORT, MN 55003-1096  
PH: (651) 264-5150 FX: (651) 264-5485

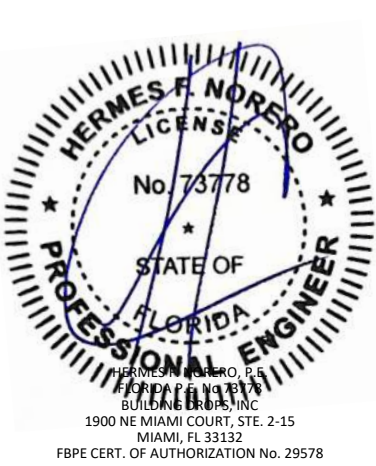
TITLE: RENEWAL by ANDERSEN  
ENSEMBLE INSWING DOOR  
(NON-HVHZ) (NON-IMPACT)  
DOOR SCHEDULE &  
LOCK OPTION TABLE

PREPARED BY:  
BUILDING DROPS, INC.  
1900 NE MIAMI COURT, STE. 2-15  
MIAMI, FL 33132  
PH: (954) 399-8478  
FAX: (954) 744-4738  
WEB: www.buildingdrops.com



REMARKS	BY	DATE

THE INSTALLATION DETAILS DESCRIBED HEREIN ARE GENERIC AND MAY NOT REFLECT ACTUAL CONDITIONS FOR A SPECIFIC SITE. IF SITE CONDITIONS CAUSE INSTALLATION TO DEVIATE FROM THE REQUIREMENTS DETAILED HEREIN, A LICENSED ENGINEER OR ARCHITECT SHALL PREPARE SITE SPECIFIC DOCUMENTS FOR USE WITH THIS DOCUMENT.



FL #: **FL46734**

DATE: **03.25.2024**

DWG. BY: **SH**      CHK. BY: **HFN**

SCALE: **NTS**

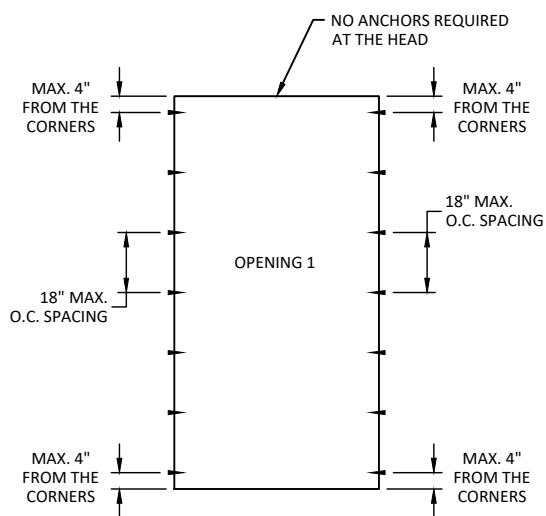
DWG. #: **AWD345**

SHEET: **6** OF 15

# STANDARD (DP30) ANCHOR LAYOUTS

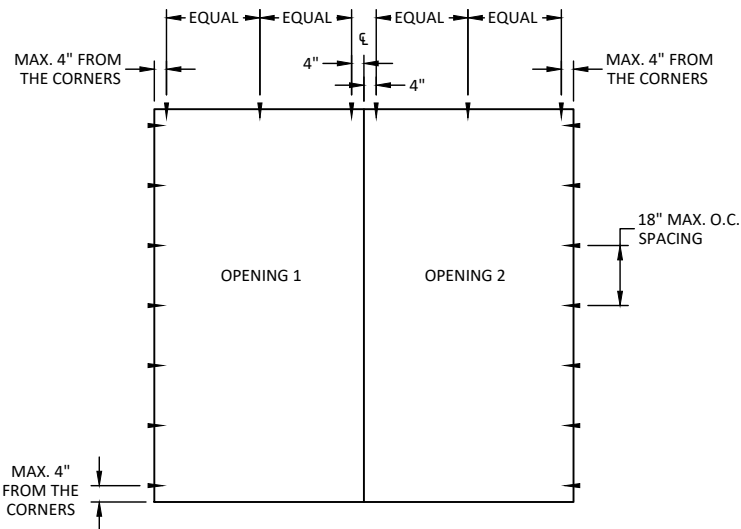
ANCHOR LEGEND	
▼	THROUGH FRAME ANCHOR
◇	ANCHORS THROUGH SILL LOAD TRANSFER BRACKET

NOTE: SEE TABLES BELOW FOR ANCHOR QUANTITY REQUIRED AT THE HEAD BASED ON EACH OPENINGS SIZE.



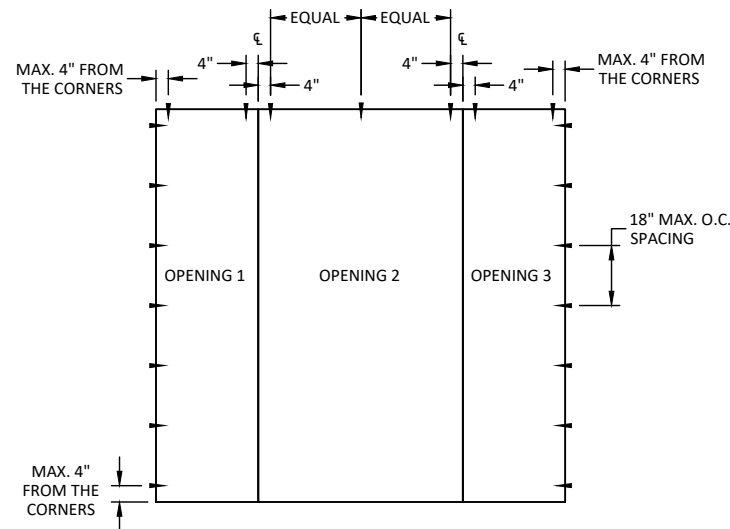
**SINGLE OPENING**

INCLUDES: X AND O CONFIGURATIONS



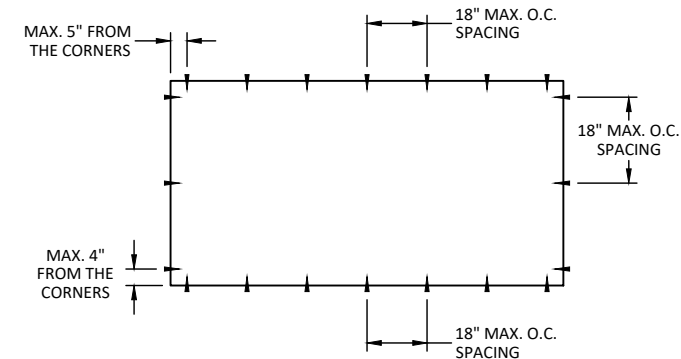
**DOUBLE OPENING**

INCLUDES: XX, XO & OX CONFIGURATIONS



**TRIPLE OPENING**

INCLUDES: OXO CONFIGURATIONS



**TRANSOM CONFIGURATION**

NOTE: WHEN TRANSOM SIDE JAMBS ARE 10" OR LESS, NO ANCHORS ARE REQUIRED AT THE SIDE JAMBS.

- TABLE NOTES FOR USE:**
- TABLE APPLIES TO HEAD ANCHOR QUANTITIES ONLY.
  - SINGLE OPENINGS AND TRANSOMS ARE NOT INCLUDED IN THE ANCHOR QUANTITIES IN THE TABLE.
  - TABLE ADDRESS EACH INDIVIDUAL OPENING IN A CONFIGURATION.
  - FOR THE AMOUNT OF ANCHORS NEEDED FOR DOUBLE AND TRIPLE OPENINGS, TAKE THE NUMBER OF ANCHORS NEEDED AT THE HEAD OF EACH OPENING AND ADD THEM TOGETHER TO DETERMINE THE TOTAL NUMBER OF ANCHORS REQUIRED.
  - ON CENTER SPACING SHALL BE EQUALLY SPACED AMONG ALL ANCHORS.

OPENING HEIGHT (IN.)	MIN. HEAD ANCHOR QUANTITY PER OPENING																				
	OPENING WIDTH (IN.)																				
	7.75	9.0	11.0	13.0	15.0	17.0	19.0	21.0	23.0	25.0	27.0	29.0	31.0	33.0	35.0	37.0	39.0	41.0	43.0	45.0	46.75
76.25	1	1	1	1	1	1	1	1	1	1	1	1	1	1	1	1	1	1	1	1	1
77.0	1	1	1	1	1	1	1	1	1	1	1	1	1	1	1	1	1	1	1	1	1
78.0	1	1	1	1	1	1	1	1	1	1	1	1	1	1	1	1	1	1	1	1	1
79.0	1	1	1	1	1	1	1	1	1	1	1	1	1	1	1	1	1	1	1	1	1
80.0	1	1	1	1	1	1	1	1	1	1	1	1	1	1	1	1	1	1	1	1	1
81.0	1	1	1	1	1	1	1	1	1	1	1	1	1	1	1	1	1	1	1	1	1
82.0	1	1	1	1	1	1	1	1	1	1	1	1	1	1	1	1	1	1	1	1	2
83.0	1	1	1	1	1	1	1	1	1	1	1	1	1	1	1	1	1	1	1	2	2
84.0	1	1	1	1	1	1	1	1	1	1	1	1	1	1	1	1	1	1	1	2	2
85.0	1	1	1	1	1	1	1	1	1	1	1	1	1	1	1	1	1	1	2	2	2
86.0	1	1	1	1	1	1	1	1	1	1	1	1	1	1	1	1	1	1	2	2	2
87.0	1	1	1	1	1	1	1	1	1	1	1	1	1	1	1	1	1	1	2	2	2
88.0	1	1	1	1	1	1	1	1	1	1	1	1	1	1	1	1	1	2	2	2	2
89.0	1	1	1	1	1	1	1	1	1	1	1	1	1	1	1	1	2	2	2	2	2
90.0	1	1	1	1	1	1	1	1	1	1	1	1	1	1	1	2	2	2	2	2	2
91.0	1	1	1	1	1	1	1	1	1	1	1	1	1	1	1	2	2	2	2	2	2
92.0	1	1	1	1	1	1	1	1	1	1	1	1	1	1	2	2	2	2	2	2	2
93.0	1	1	1	1	1	1	1	1	1	1	1	1	1	2	2	2	2	2	2	2	2
94.0	1	1	1	1	1	1	1	1	1	1	1	1	1	2	2	2	2	2	2	2	2
95.0	1	1	1	1	1	1	1	1	1	1	1	1	1	2	2	2	2	2	2	2	2
96.0	1	1	1	1	1	1	1	1	1	1	1	1	2	2	2	2	2	2	2	2	2
97.75	1	1	1	1	1	1	1	1	1	1	1	1	2	2	2	2	2	2	2	2	2



100 FOURTH AVE. NORTH  
BAYPORT, MN 55003-1096  
PH: (651) 264-5150 FX: (651) 264-5485

TITLE: RENEWAL by ANDERSEN ENSEMBLE INSWING DOOR (NON-HVHZ) (NON-IMPACT)

STANDARD ANCHOR LAYOUTS

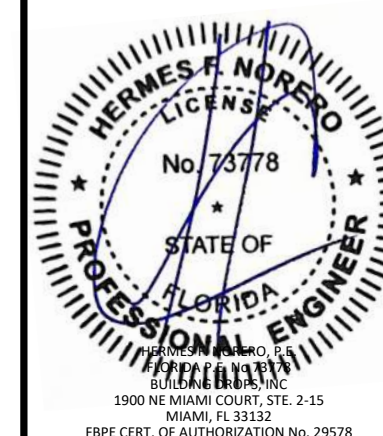
PREPARED BY: BUILDING DROPS, INC.

1900 NE MIAMI COURT, STE. 2-15  
MIAMI, FL 33132  
PH: (954) 399-8478  
FAX: (954) 744-4738  
WEB: www.buildingdrops.com



REMARKS	BY	DATE

THE INSTALLATION DETAILS DESCRIBED HEREIN ARE GENERIC AND MAY NOT REFLECT ACTUAL CONDITIONS FOR A SPECIFIC SITE. IF SITE CONDITIONS CAUSE INSTALLATION TO DEVIATE FROM THE REQUIREMENTS DETAILED HEREIN, A LICENSED ENGINEER OR ARCHITECT SHALL PREPARE SITE SPECIFIC DOCUMENTS FOR USE WITH THIS DOCUMENT.



FL #: **FL46734**

DATE: **03.25.2024**

DWG. BY: **SH** | CHK. BY: **HFN**

SCALE: **NTS**

DWG. #: **AWD345**

SHEET:

**7**

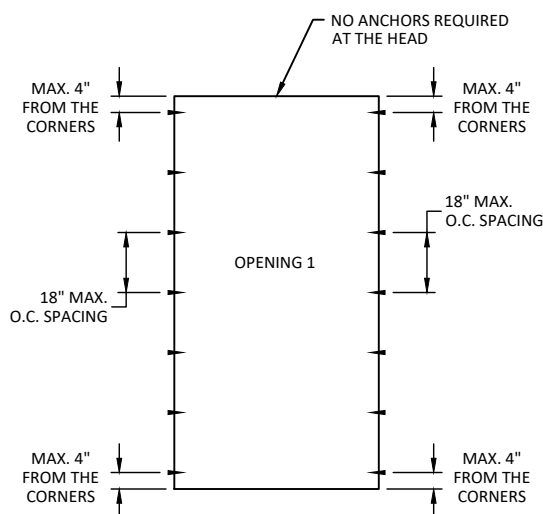
OF 15

# UPGRADE (DP50) ANCHOR LAYOUTS

ANCHOR LEGEND	
▼	THROUGH FRAME ANCHOR
◇	ANCHORS THROUGH SILL LOAD TRANSFER BRACKET

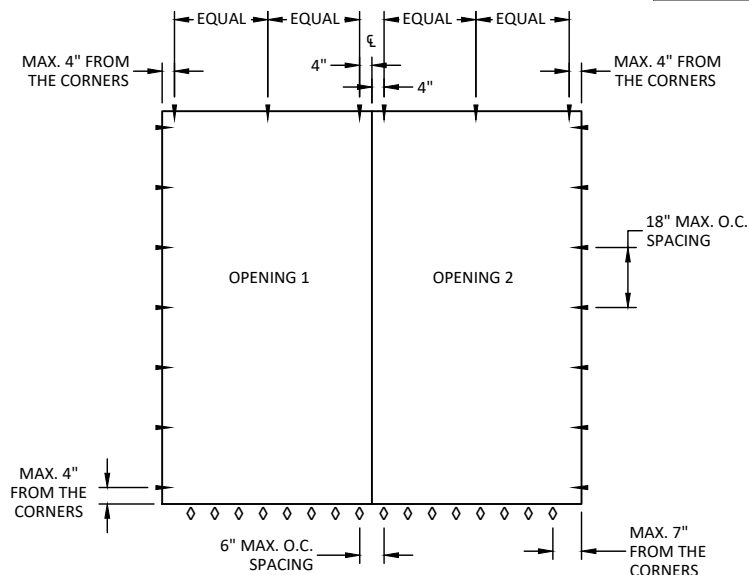
NOTE: SILL LOAD TRANSFER BRACKET ONLY REQUIRED FOR UNITS SPECIFIED ON SHEET 6.

NOTE: SEE TABLES BELOW FOR ANCHOR QUANTITY REQUIRED AT THE HEAD BASED ON EACH OPENINGS SIZE.



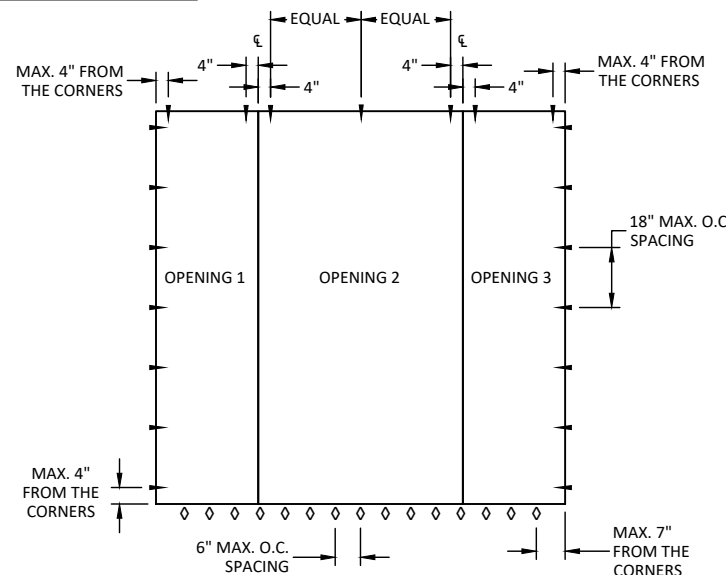
**SINGLE OPENING**

INCLUDES: X AND O CONFIGURATIONS



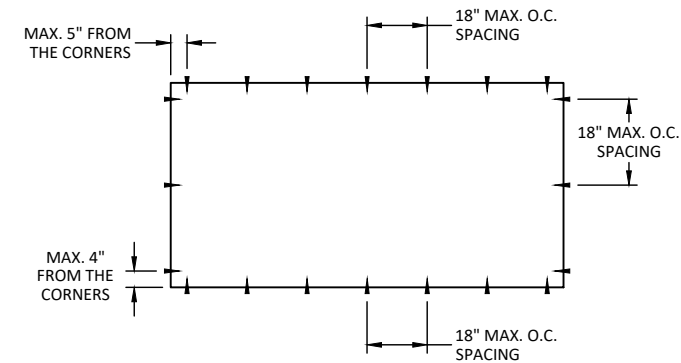
**DOUBLE OPENING**

INCLUDES: XX, XO & OX CONFIGURATIONS



**TRIPLE OPENING**

INCLUDES: OXO CONFIGURATIONS



**TRANSOM CONFIGURATION**

NOTE: WHEN TRANSOM SIDE JAMBS ARE 10" OR LESS, NO ANCHORS ARE REQUIRED AT THE SIDE JAMBS.

- TABLE NOTES FOR USE:**
- TABLE APPLIES TO HEAD ANCHOR QUANTITIES ONLY.
  - SINGLE OPENINGS AND TRANSOMS ARE NOT INCLUDED IN THE ANCHOR QUANTITIES IN THE TABLE.
  - TABLE ADDRESS EACH INDIVIDUAL OPENING IN A CONFIGURATION.
  - FOR THE AMOUNT OF ANCHORS NEEDED FOR DOUBLE AND TRIPLE OPENINGS, TAKE THE NUMBER OF ANCHORS NEEDED AT THE HEAD OF EACH OPENING AND ADD THEM TOGETHER TO DETERMINE THE TOTAL NUMBER OF ANCHORS REQUIRED.
  - ON CENTER SPACING SHALL BE EQUALLY SPACED AMONG ALL ANCHORS.

OPENING HEIGHT (IN.)	MIN. HEAD ANCHOR QUANTITY PER OPENING																				
	OPENING WIDTH (IN.)																				
	7.75	9.0	11.0	13.0	15.0	17.0	19.0	21.0	23.0	25.0	27.0	29.0	31.0	33.0	35.0	37.0	39.0	41.0	43.0	45.0	46.75
76.25	1	1	1	1	1	1	1	1	1	2	2	2	2	2	2	2	2	2	2	2	2
77.0	1	1	1	1	1	1	1	1	1	2	2	2	2	2	2	2	2	2	2	2	2
78.0	1	1	1	1	1	1	1	1	1	2	2	2	2	2	2	2	2	2	2	2	2
79.0	1	1	1	1	1	1	1	1	1	2	2	2	2	2	2	2	2	2	2	2	2
80.0	1	1	1	1	1	1	1	1	1	2	2	2	2	2	2	2	2	2	2	2	2
81.0	1	1	1	1	1	1	1	1	1	2	2	2	2	2	2	2	2	2	2	2	2
82.0	1	1	1	1	1	1	1	1	1	2	2	2	2	2	2	2	2	2	2	2	2
83.0	1	1	1	1	1	1	1	1	1	2	2	2	2	2	2	2	2	2	2	2	2
84.0	1	1	1	1	1	1	1	1	2	2	2	2	2	2	2	2	2	2	2	2	2
85.0	1	1	1	1	1	1	1	1	2	2	2	2	2	2	2	2	2	2	2	2	2
86.0	1	1	1	1	1	1	1	1	2	2	2	2	2	2	2	2	2	2	2	2	2
87.0	1	1	1	1	1	1	1	1	2	2	2	2	2	2	2	2	2	2	2	2	2
88.0	1	1	1	1	1	1	1	1	2	2	2	2	2	2	2	2	2	2	2	2	2
89.0	1	1	1	1	1	1	1	1	2	2	2	2	2	2	2	2	2	2	2	2	2
90.0	1	1	1	1	1	1	1	2	2	2	2	2	2	2	2	2	2	2	2	2	2
91.0	1	1	1	1	1	1	1	2	2	2	2	2	2	2	2	2	2	2	2	2	2
92.0	1	1	1	1	1	1	1	2	2	2	2	2	2	2	2	2	2	2	2	2	2
93.0	1	1	1	1	1	1	1	2	2	2	2	2	2	2	2	2	2	2	2	2	2
94.0	1	1	1	1	1	1	1	2	2	2	2	2	2	2	2	2	2	2	2	2	3
95.0	1	1	1	1	1	1	1	2	2	2	2	2	2	2	2	2	2	2	2	2	3
96.0	1	1	1	1	1	1	1	2	2	2	2	2	2	2	2	2	2	2	2	3	3
97.75	1	1	1	1	1	1	2	2	2	2	2	2	2	2	2	2	2	2	3	3	3



100 FOURTH AVE. NORTH  
BAYPORT, MN 55003-1096  
PH: (651) 264-5150 FX: (651) 264-5485

TITLE: RENEWAL by ANDERSEN ENSEMBLE INSWING DOOR (NON-HVHZ) (NON-IMPACT)

UPGRADE ANCHOR LAYOUTS

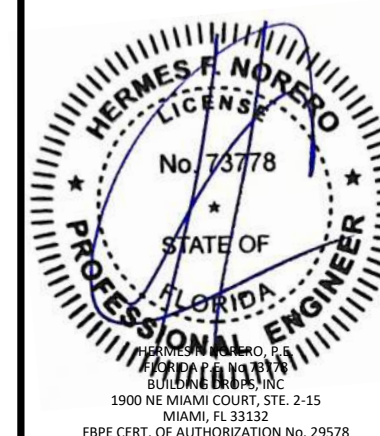
PREPARED BY: BUILDING DROPS, INC.

1900 NE MIAMI COURT, STE. 2-15  
MIAMI, FL 33132  
PH: (954) 399-8478  
FAX: (954) 744-4738  
WEB: www.buildingdrops.com



REMARKS	BY	DATE

THE INSTALLATION DETAILS DESCRIBED HEREIN ARE GENERIC AND MAY NOT REFLECT ACTUAL CONDITIONS FOR A SPECIFIC SITE. IF SITE CONDITIONS CAUSE INSTALLATION TO DEVIATE FROM THE REQUIREMENTS DETAILED HEREIN, A LICENSED ENGINEER OR ARCHITECT SHALL PREPARE SITE SPECIFIC DOCUMENTS FOR USE WITH THIS DOCUMENT.



FL #:

**FL46734**

DATE: **03.25.2024**

DWG. BY: **SH**      CHK. BY: **HFN**

SCALE: **NTS**

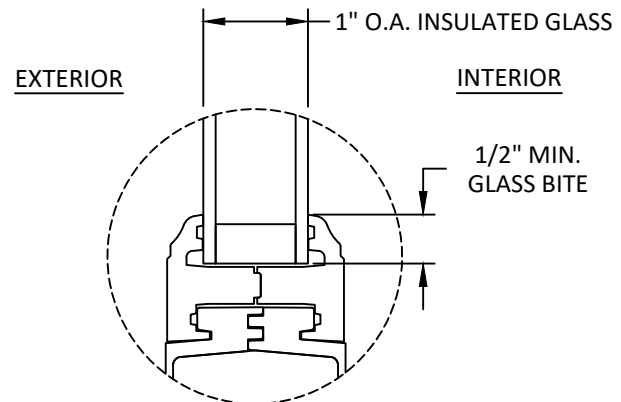
DWG. #: **AWD345**

SHEET:

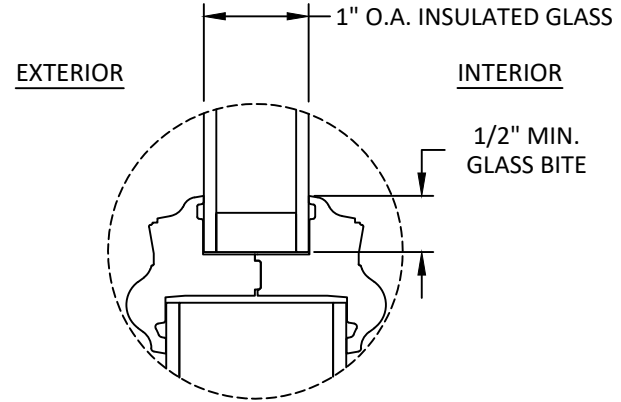
**8**

OF 15

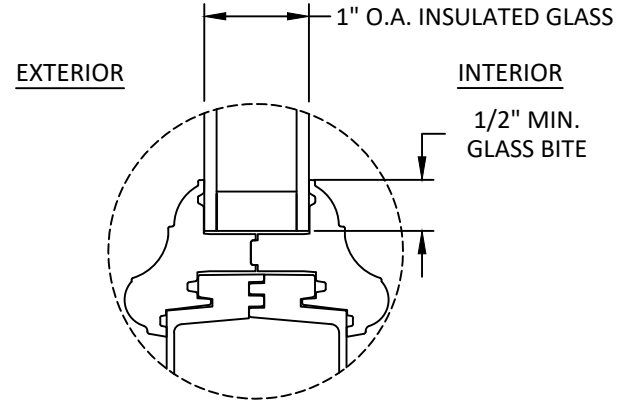
5/2/2024 2:27 PM  
 c:\users\sebastianh\documents\projects\anderson windows\lbc-22-0741 - fbc submittal - rba inswing door - non impact.dwg  
 common\projects\anderson windows\lbc-22-0741 - fbc submittal - rba inswing door - non impact.dwg



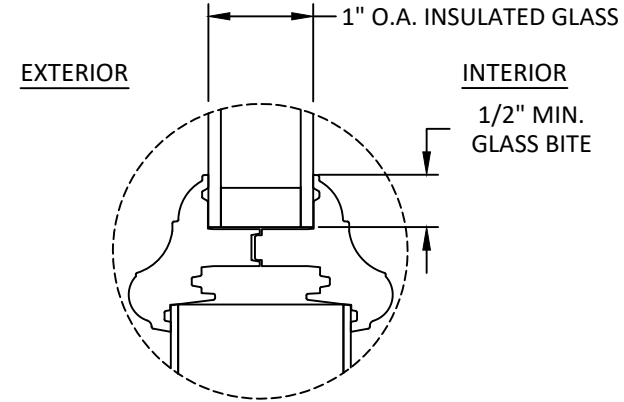
**GLAZING DETAIL 1**  
SMOOTH/OAK FLUSHLITE



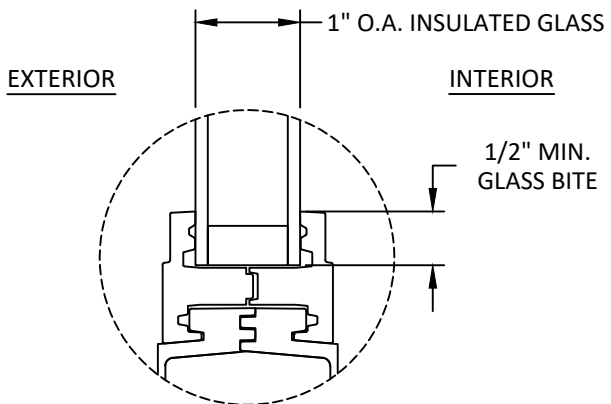
**GLAZING DETAIL 2**  
TRADITIONAL LIPLITE



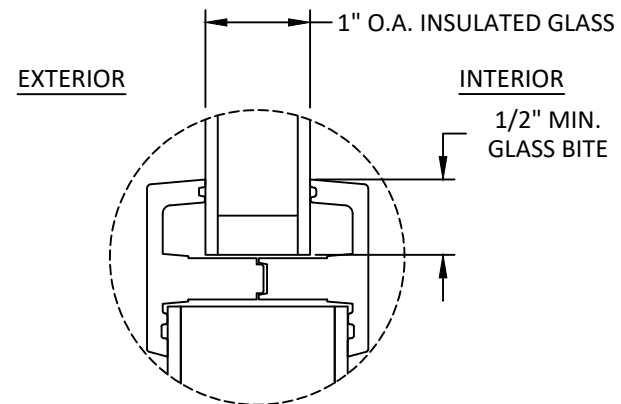
**GLAZING DETAIL 3**  
MAHOGANY LIPLITE A



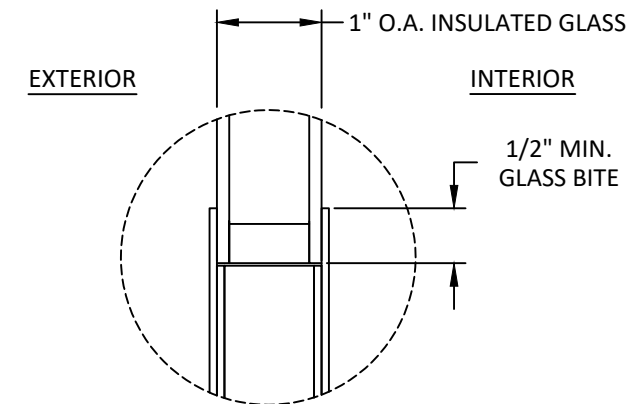
**GLAZING DETAIL 4**  
MAHOGANY LIPLITE B



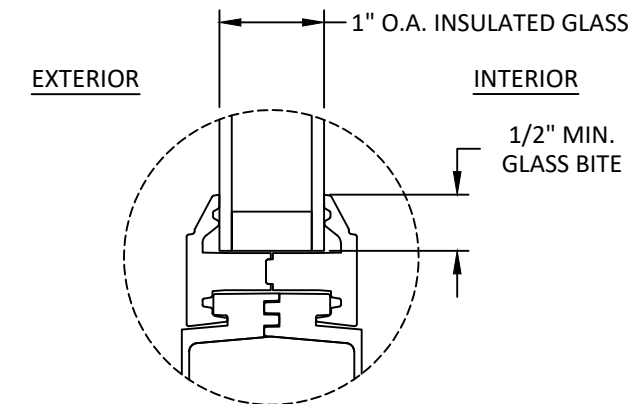
**GLAZING DETAIL 5**  
TEAK FLUSHLITE



**GLAZING DETAIL 6**  
FLAT LIPLITE



**GLAZING DETAIL 7**  
TEAK INSERT



**GLAZING DETAIL 8**  
CRAFTSMAN FLUSHLITE

**GLAZING NOTES:**

1. GLASS TYPE & THICKNESS SHALL COMPLY WITH ASTM E1300 REQUIREMENTS. PER THE FBC TEMPER AND SAFETY GLAZING REQUIREMENTS SHALL BE REVIEWED ON A SITE SPECIFIC BASIS.
2. SETTING BLOCK DUROMETER HARDNESS OF 70-90 (SHORE A) AS REFERENCED IN FBC CHAPTER 24.
3. SETTING BLOCKS TO BE LOCATED AT 1/4 SPAN LENGTH FOR GLASS WIDER THAN 36" AS PER FBC CHAPTER 24.
4. D.L.O. AND DESIGN PRESSURES MAY NOT EXCEED MAX VALUES IN SHOWN HEREIN.



100 FOURTH AVE. NORTH  
BAYPORT, MN 55003-1096  
PH: (651) 264-5150 FX: (651) 264-5485

**RENEWAL by ANDERSEN**  
 ENSEMBLE INSWING DOOR  
 (NON-HVHZ) (NON-IMPACT)

PANEL OPTIONS &  
 GLAZING DETAILS

PREPARED BY:  
**BUILDING DROPS, INC.**

1900 NE MIAMI COURT, STE. 2-15  
 MIAMI, FL 33132  
 PH: (954) 399-8478  
 FAX: (954) 744-4738  
 WEB: www.buildingdrops.com



REMARKS	BY	DATE

THE INSTALLATION DETAILS DESCRIBED HEREIN ARE GENERIC AND MAY NOT REFLECT ACTUAL CONDITIONS FOR A SPECIFIC SITE. IF SITE CONDITIONS CAUSE INSTALLATION TO DEVIATE FROM THE REQUIREMENTS DETAILED HEREIN, A LICENSED ENGINEER OR ARCHITECT SHALL PREPARE SITE SPECIFIC DOCUMENTS FOR USE WITH THIS DOCUMENT.



FL #:

**FL46734**

DATE: **03.25.2024**

DWG. BY: **SH**      CHK. BY: **HFN**

SCALE: **NTS**

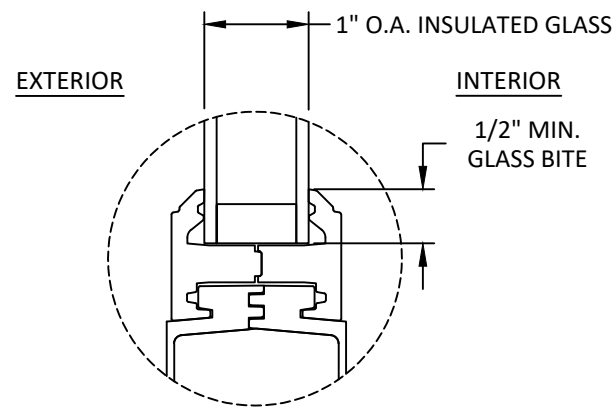
DWG. #: **AWD345**

SHEET:

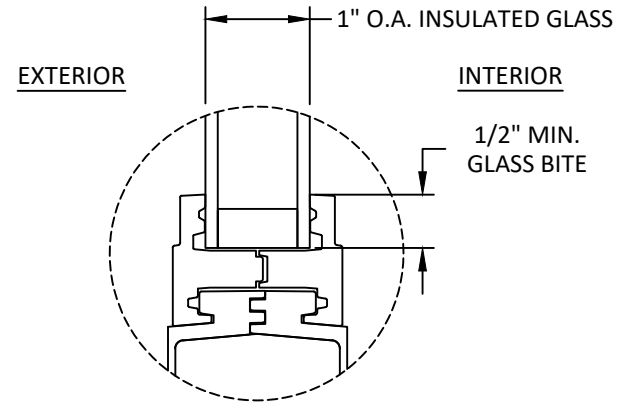
**9**

OF 15

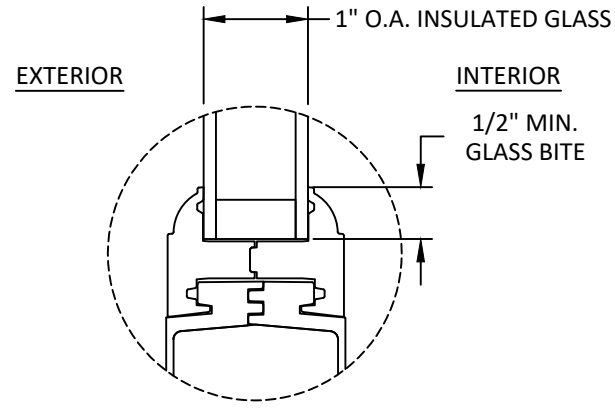
5/2/2024 2:27 PM  
c:\users\sebastianherrerros\building drops - common\projects\anderson windows\fbc-22-0741 - fbc submittal - rba inswing door - non impact.dwg\awd345.dwg



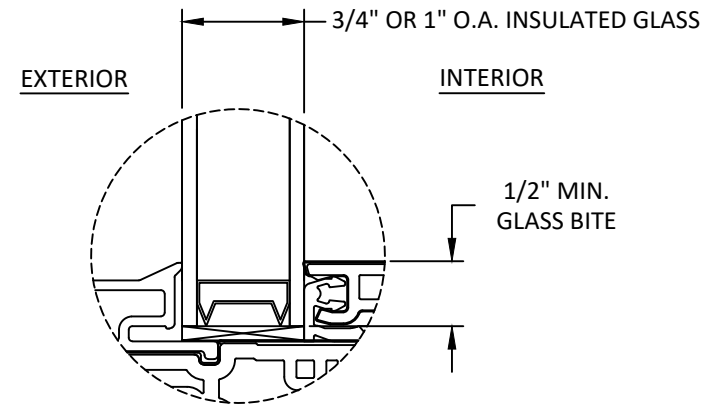
**GLAZING DETAIL 9**  
TEAK FLUSHLITE A



**GLAZING DETAIL 10**  
TEAK FLUSHLITE B



**GLAZING DETAIL 11**  
MAHOGANY FLUSHLITE



**GLAZING DETAIL 12**  
DIRECT SET & TRANSOM

**GLAZING NOTES:**

1. GLASS TYPE & THICKNESS SHALL COMPLY WITH ASTM E1300 REQUIREMENTS. PER THE FBC TEMPER AND SAFETY GLAZING REQUIREMENTS SHALL BE REVIEWED ON A SITE SPECIFIC BASIS.
2. SETTING BLOCK DUROMETER HARDNESS OF 70-90 (SHORE A) AS REFERENCED IN FBC CHAPTER 24.
3. SETTING BLOCKS TO BE LOCATED AT 1/4 SPAN LENGTH FOR GLASS WIDER THAN 36" AS PER FBC CHAPTER 24.
4. D.L.O. AND DESIGN PRESSURES MAY NOT EXCEED MAX VALUES IN SHOWN HEREIN.



100 FOURTH AVE. NORTH  
BAYPORT, MN 55003-1096  
PH: (651) 264-5150 FX: (651) 264-5485

TITLE: RENEWAL by ANDERSEN  
ENSEMBLE INSWING DOOR  
(NON-HVHZ) (NON-IMPACT)

PANEL OPTIONS &  
GLAZING DETAILS

PREPARED BY: BUILDING DROPS, INC.

1900 NE MIAMI COURT, STE. 2-15  
MIAMI, FL 33132  
PH: (954) 399-8478  
FAX: (954) 744-4738  
WEB: www.buildingdrops.com



REMARKS	BY	DATE

THE INSTALLATION DETAILS DESCRIBED HEREIN ARE GENERIC AND MAY NOT REFLECT ACTUAL CONDITIONS FOR A SPECIFIC SITE. IF SITE CONDITIONS CAUSE INSTALLATION TO DEVIATE FROM THE REQUIREMENTS DETAILED HEREIN, A LICENSED ENGINEER OR ARCHITECT SHALL PREPARE SITE SPECIFIC DOCUMENTS FOR USE WITH THIS DOCUMENT.



FL #: **FL46734**

DATE: **03.25.2024**

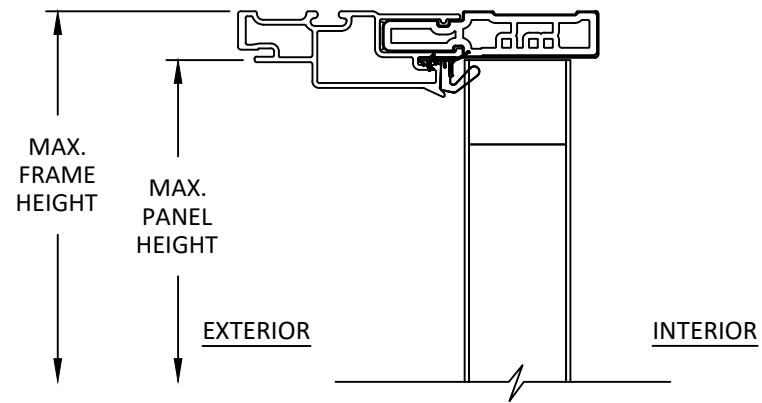
DWG. BY: **SH**      CHK. BY: **HFN**

SCALE: **NTS**

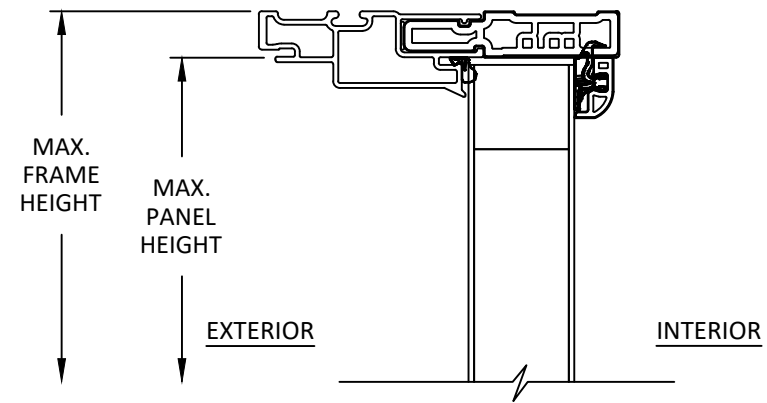
DWG. #: **AWD345**

SHEET:  
**10**  
OF 15

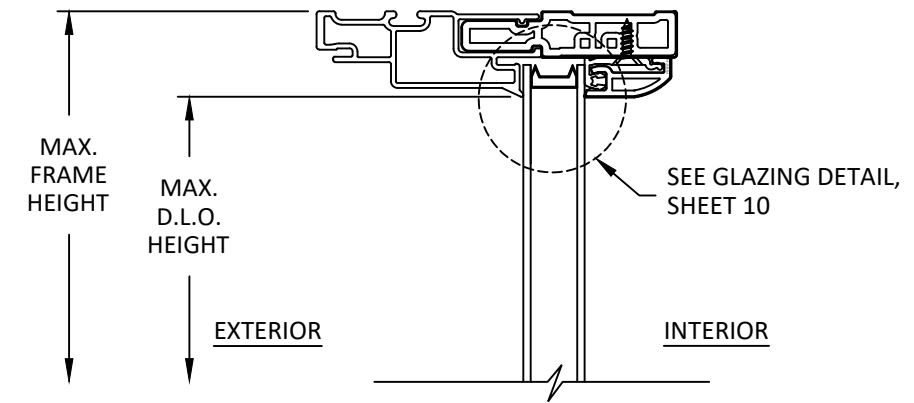
5/2/2024 2:27 PM  
 c:\users\sebastianhereros\building drops - common\projects\anderson windows\11c-22-0741 - fbc submittal - rba inswing door - non impact.dwg\awd345.dwg



**A**  
**11** VERTICAL SECTION  
OPERABLE PANEL HEAD

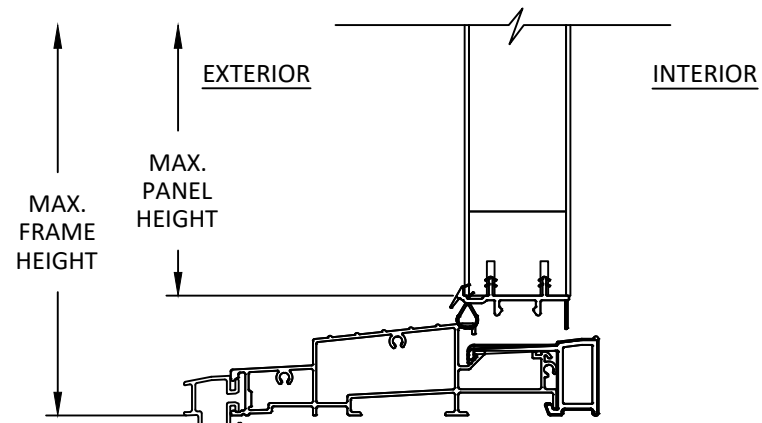


**B**  
**11** VERTICAL SECTION  
PANEL SET HEAD

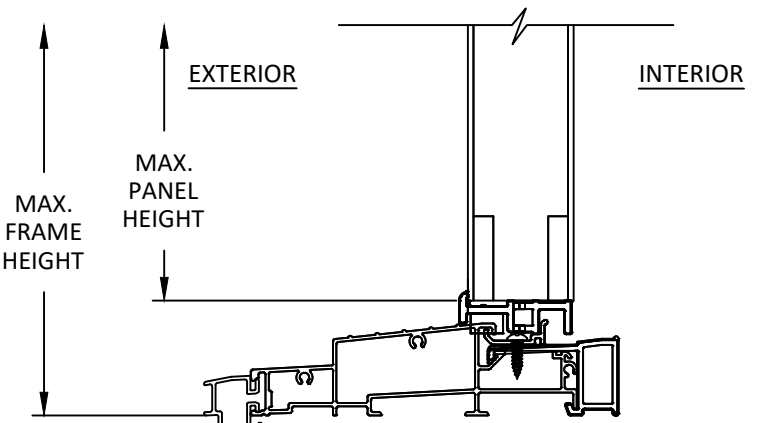


**C**  
**11** VERTICAL SECTION  
DIRECT SET & TRANSOM HEAD

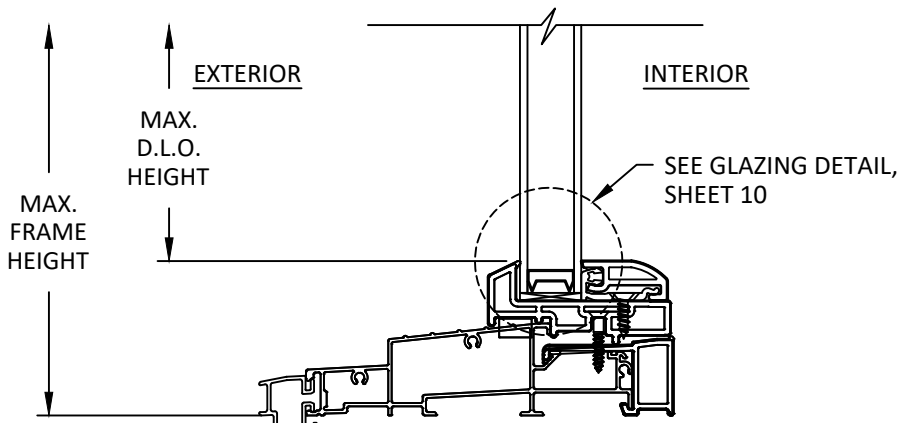
NOTE: SEE SHEETS 9 & 10 FOR GLAZING DETAILS AND PANEL INSERT TYPES.



**D**  
**11** VERTICAL SECTION  
OPERABLE PANEL SILL



**E**  
**11** VERTICAL SECTION  
PANEL SET SILL



**F**  
**11** VERTICAL SECTION  
DIRECT SET SILL



100 FOURTH AVE. NORTH  
BAYPORT, MN 55003-1096  
PH: (651) 264-5150 FX: (651) 264-5485

TITLE: RENEWAL by ANDERSEN  
ENSEMBLE INSWING DOOR  
(NON-HVHZ) (NON-IMPACT)

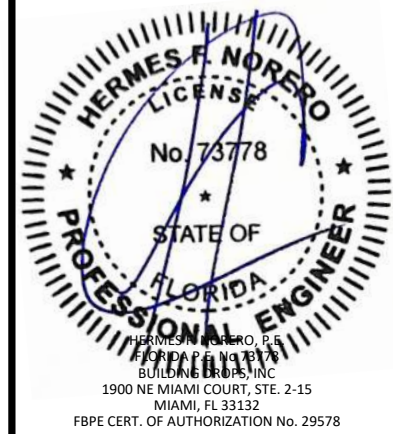
VERTICAL SECTIONS

PREPARED BY:  
**BUILDING DROPS, INC.**  
1900 NE MIAMI COURT, STE. 2-15  
MIAMI, FL 33132  
PH: (954) 399-8478  
FAX: (954) 744-4738  
WEB: www.buildingdrops.com



REMARKS	BY	DATE

THE INSTALLATION DETAILS DESCRIBED HEREIN ARE GENERIC AND MAY NOT REFLECT ACTUAL CONDITIONS FOR A SPECIFIC SITE. IF SITE CONDITIONS CAUSE INSTALLATION TO DEVIATE FROM THE REQUIREMENTS DETAILED HEREIN, A LICENSED ENGINEER OR ARCHITECT SHALL PREPARE SITE SPECIFIC DOCUMENTS FOR USE WITH THIS DOCUMENT.



FL #:  
**FL46734**

DATE: **03.25.2024**

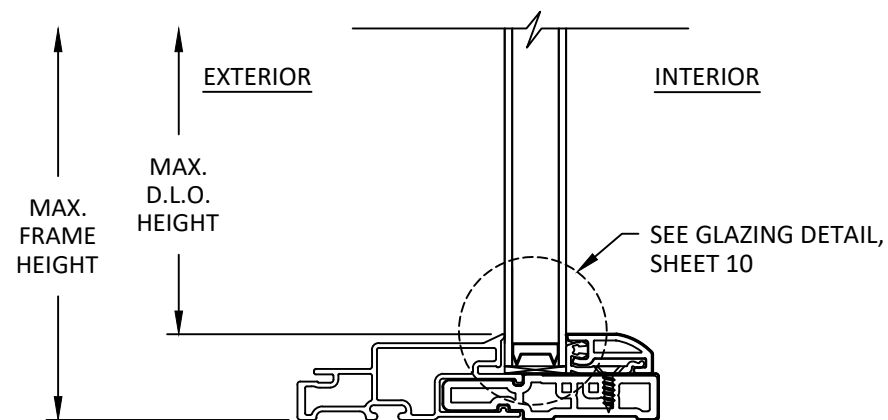
DWG. BY: **SH**      CHK. BY: **HFN**

SCALE: **NTS**

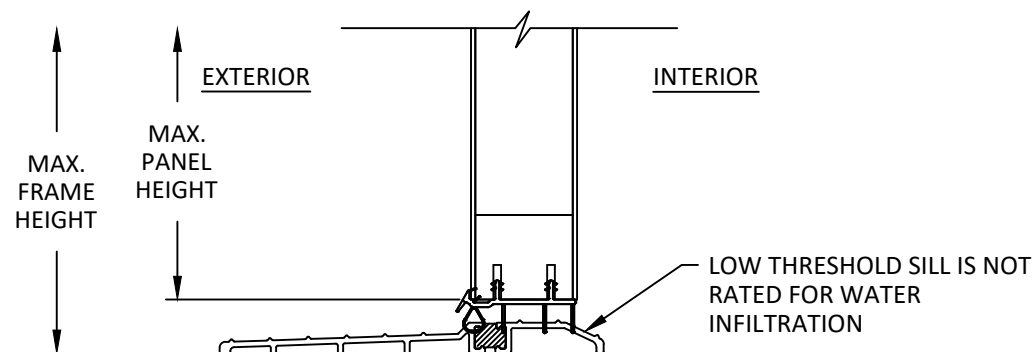
DWG. #: **AWD345**

SHEET:  
**11**  
OF 15

5/2/2024 2:27 PM  
c:\Users\sebastianherrerros\building - common\projects\anderson windows\fbc-22-0741 - fbc submittal - rba inswing door - non impact.dwg\awd345.dwg



**G**  
**12** VERTICAL SECTION  
TRANSOM SILL



**H**  
**12** VERTICAL SECTION  
OPERABLE PANEL LOW THRESHOLD

NOTE: SEE SHEETS 9 & 10 FOR GLAZING DETAILS AND PANEL INSERT TYPES.



100 FOURTH AVE. NORTH  
BAYPORT, MN 55003-1096  
PH: (651) 264-5150 FX: (651) 264-5485

TITLE: RENEWAL by ANDERSEN  
ENSEMBLE INSWING DOOR  
(NON-HVHZ) (NON-IMPACT)

VERTICAL SECTIONS

PREPARED BY: BUILDING DROPS, INC.  
1900 NE MIAMI COURT, STE. 2-15  
MIAMI, FL 33132  
PH: (954) 399-8478  
FAX: (954) 744-4738  
WEB: www.buildingdrops.com



REMARKS	BY	DATE

THE INSTALLATION DETAILS DESCRIBED HEREIN ARE GENERIC AND MAY NOT REFLECT ACTUAL CONDITIONS FOR A SPECIFIC SITE. IF SITE CONDITIONS CAUSE INSTALLATION TO DEVIATE FROM THE REQUIREMENTS DETAILED HEREIN, A LICENSED ENGINEER OR ARCHITECT SHALL PREPARE SITE SPECIFIC DOCUMENTS FOR USE WITH THIS DOCUMENT.



FL #: FL46734

DATE: 03.25.2024

DWG. BY: SH      CHK. BY: HFN

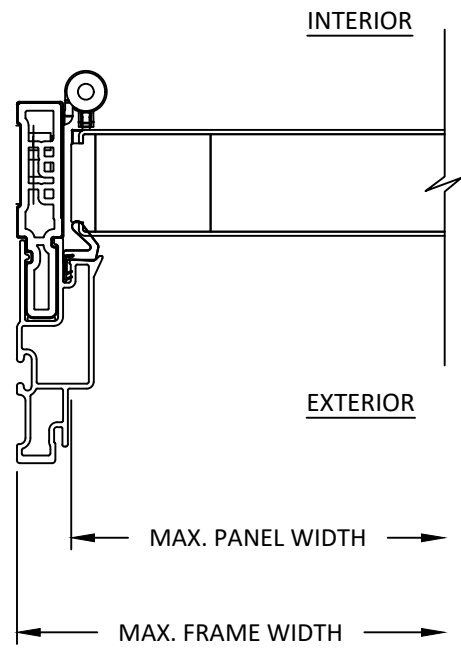
SCALE: NTS

DWG. #: AWD345

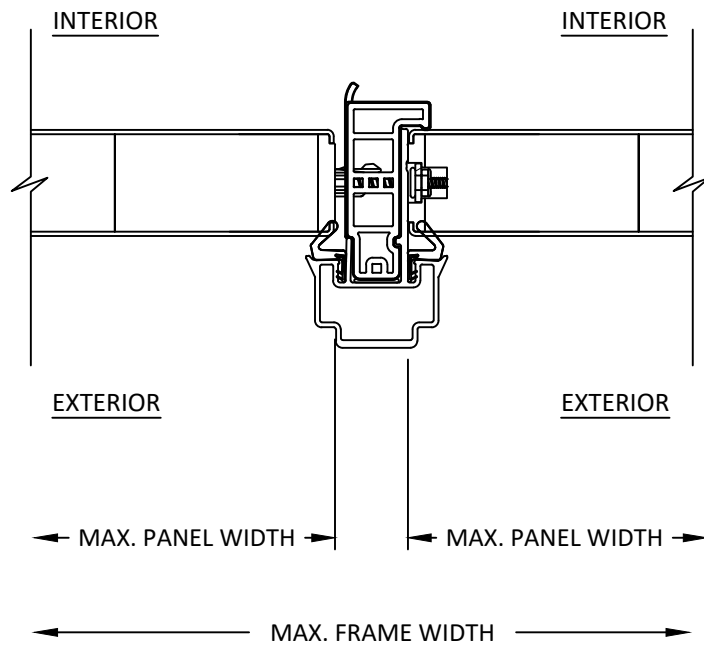
SHEET: 12

OF 15

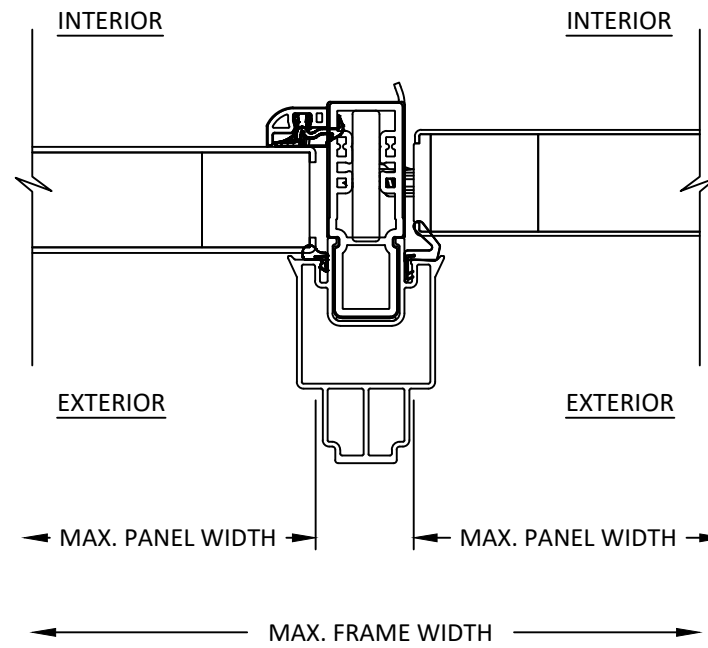
5/2/2024 2:27 PM  
 c:\users\sebastianhereros\building drops - common\projects\anderson windows\bc-22-0741 - fbc submittal - rba inswing door - non impact.dwg  
 c:\users\sebastianhereros\building drops - common\projects\anderson windows\bc-22-0741 - fbc submittal - rba inswing door - non impact.dwg



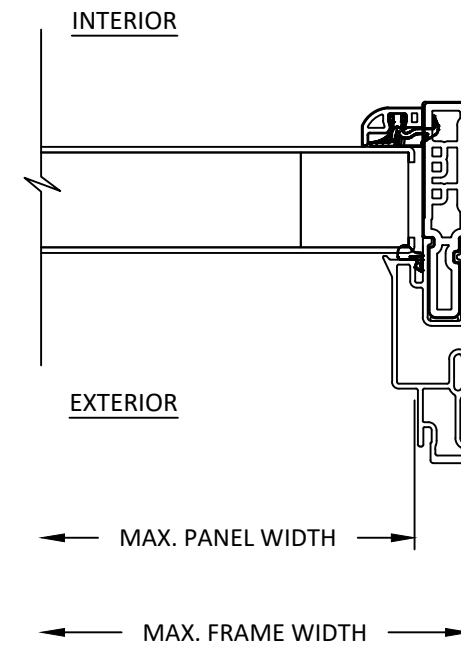
**I** HORIZONTAL SECTION  
**13** OPERABLE PANEL HINGE JAMB



**J** HORIZONTAL SECTION  
**13** OPERABLE PANEL TO PASSIVE PANEL

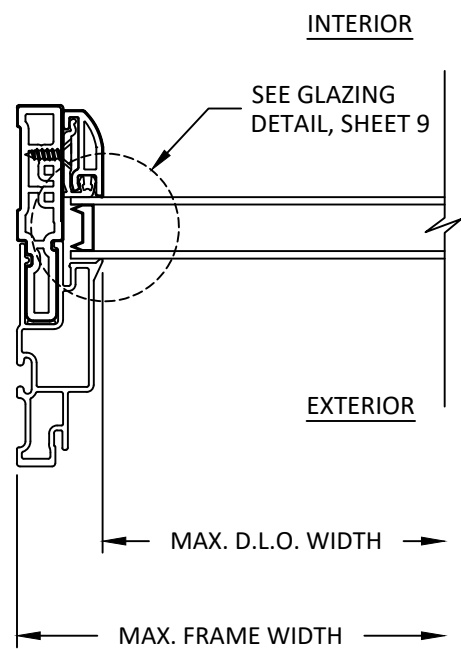


**K** HORIZONTAL SECTION  
**13** PANEL SET TO OPERABLE PANEL

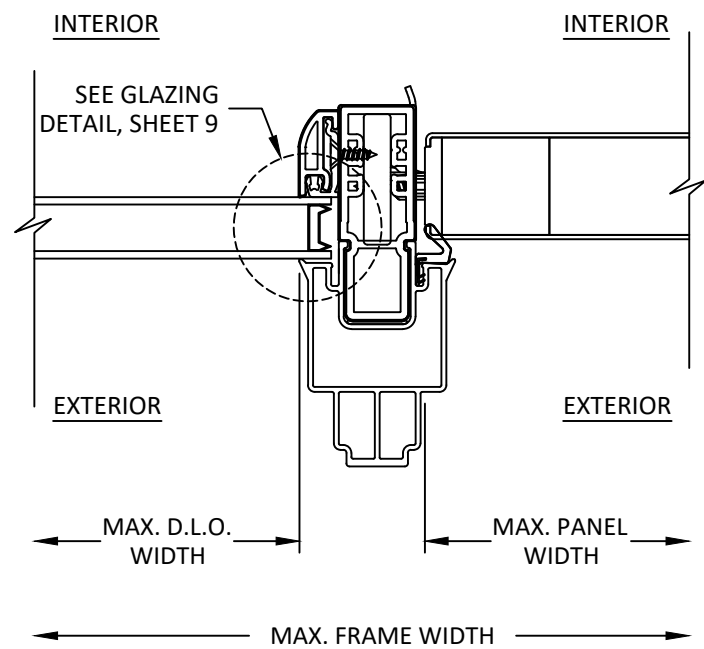


**L** HORIZONTAL SECTION  
**13** PANEL SET JAMB

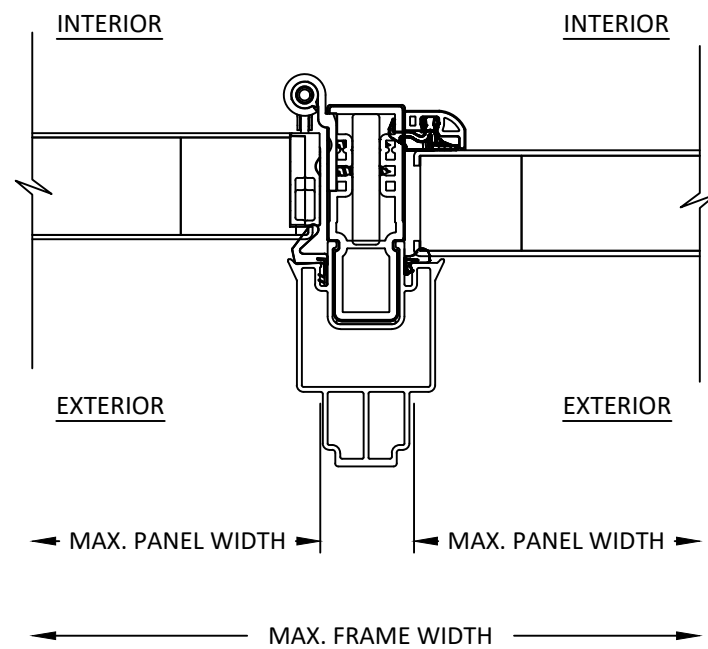
NOTE: SEE SHEETS 9 & 10 FOR GLAZING DETAILS AND PANEL INSERT TYPES.



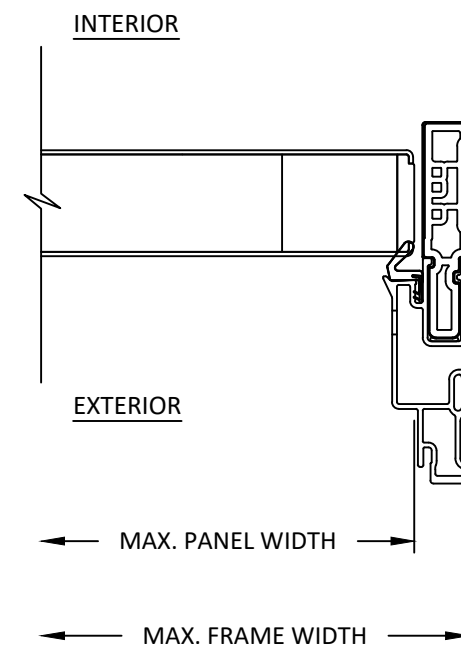
**M** HORIZONTAL SECTION  
**13** TRANSOM & DIRECT SET JAMB



**N** HORIZONTAL SECTION  
**13** DIRECT SET TO OPERABLE PANEL



**O** HORIZONTAL SECTION  
**13** OPERABLE PANEL TO PANEL SET



**P** HORIZONTAL SECTION  
**13** OPERABLE PANEL LOCK JAMB



100 FOURTH AVE. NORTH  
 BAYPORT, MN 55003-1096  
 PH: (651) 264-5150 FX: (651) 264-5485

TITLE: RENEWAL by ANDERSEN  
 ENSEMBLE INSWING DOOR  
 (NON-HVHZ) (NON-IMPACT)

HORIZONTAL SECTIONS

PREPARED BY: BUILDING DROPS, INC.  
 1900 NE MIAMI COURT, STE. 2-15  
 MIAMI, FL 33132  
 PH: (954) 399-8478  
 FAX: (954) 744-4738  
 WEB: www.buildingdrops.com

REMARKS	BY	DATE

THE INSTALLATION DETAILS DESCRIBED HEREIN ARE GENERIC AND MAY NOT REFLECT ACTUAL CONDITIONS FOR A SPECIFIC SITE. IF SITE CONDITIONS CAUSE INSTALLATION TO DEVIATE FROM THE REQUIREMENTS DETAILED HEREIN, A LICENSED ENGINEER OR ARCHITECT SHALL PREPARE SITE SPECIFIC DOCUMENTS FOR USE WITH THIS DOCUMENT.



FL #: **FL46734**

DATE: **03.25.2024**

DWG. BY: **SH**      CHK. BY: **HFN**

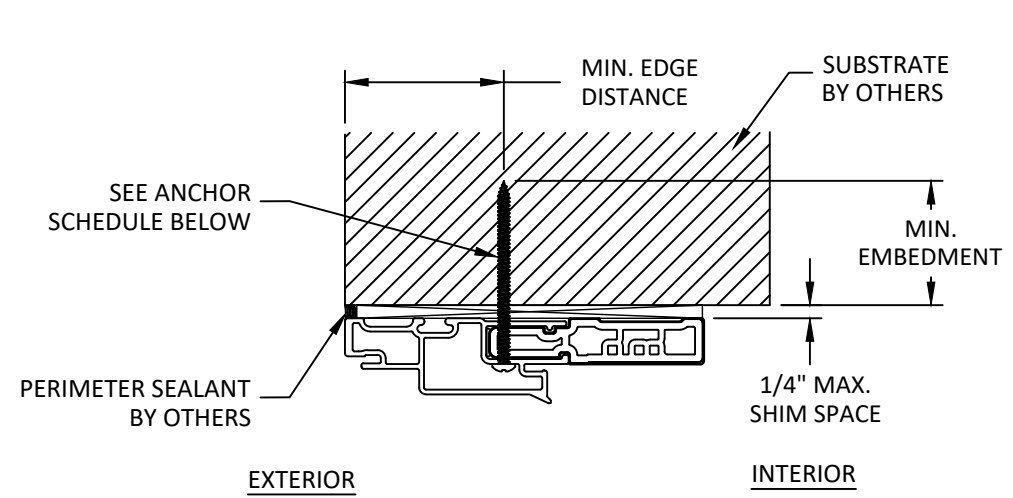
SCALE: **NTS**

DWG. #: **AWD345**

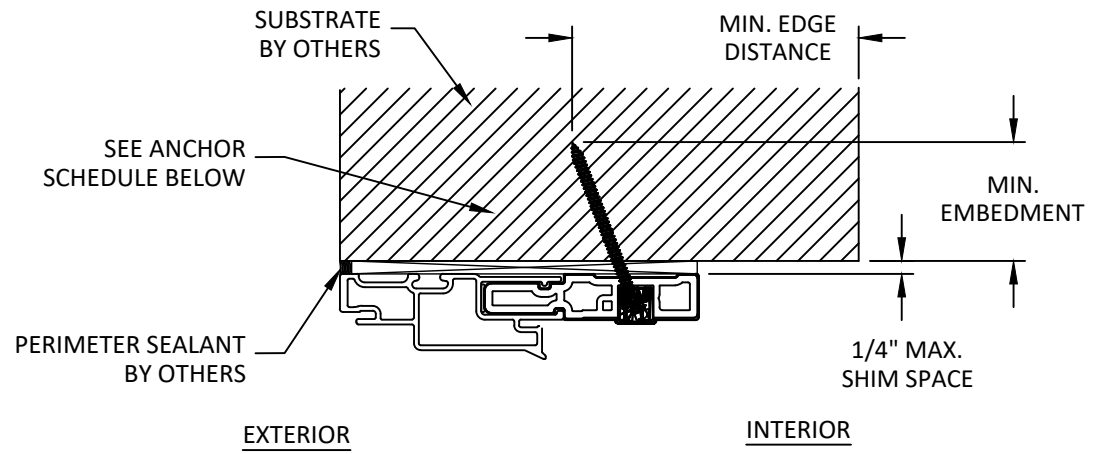
SHEET: **13**

5/27/2024 2:27 PM

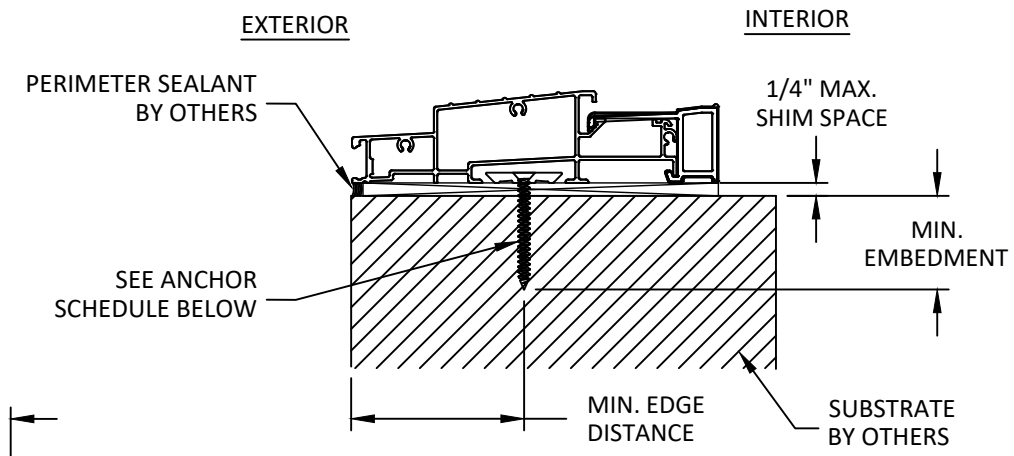
c:\users\sebastianhereros\building\drops - common\projects\anderson windows\1bc-22-0741 - fbc submittal - rba inswing door - non impact.dwg



**A**  
14  
**VERTICAL SECTION**  
DOOR HEAD - THROUGH FRAME  
DOOR JAMB SIMILAR



**B**  
14  
**VERTICAL SECTION**  
TRANSOM/NARROW SIDELITE - THROUGH FRAME  
JAMB SIMILAR



**C**  
14  
**VERTICAL SECTION**  
SILL - THROUGH LOAD TRANSFER BRACKET

NOTE: SILL LOAD TRANSFER BRACKET ONLY REQUIRED FOR UNITS SPECIFIED ON SHEET 6.

**INSTALLATION NOTES:**

- ONE (1) INSTALLATION ANCHOR IS REQUIRED AT EACH ANCHOR LOCATION SHOWN.
- THE NUMBER OF INSTALLATION ANCHORS DEPICTED IS THE MINIMUM NUMBER OF ANCHORS TO BE USED FOR PRODUCT INSTALLATION OF THE MAXIMUM SIZE LISTED.
- INSTALL INDIVIDUAL INSTALLATION ANCHORS WITHIN A TOLERANCE OF ±1/2 INCH THE DEPICTED LOCATION & SPACING IN THE ANCHOR LAYOUT DETAILS (I.E., WITHOUT CONSIDERATION OF TOLERANCES). TOLERANCES ARE NOT CUMULATIVE FROM ONE INSTALLATION ANCHOR TO THE NEXT.
- SHIM AS REQUIRED AT EACH INSTALLATION ANCHOR WITH LOAD BEARING SHIM(S). MAXIMUM ALLOWABLE SHIM STACK TO BE 1/4 INCH. SHIM WHERE SPACE OF 1/16 INCH OR GREATER OCCURS. SHIM(S) SHALL BE CONSTRUCTED OF HIGH DENSITY PLASTIC OR BETTER.
- MINIMUM EMBEDMENT AND EDGE DISTANCE EXCLUDE WALL FINISHES, INCLUDING BUT NOT LIMITED TO STUCCO, FOAM, BRICK VENEER, AND SIDING.
- INSTALLATION ANCHORS AND ASSOCIATED HARDWARE MUST BE MADE OF CORROSION RESISTANT MATERIAL OR HAVE A CORROSION RESISTANT COATING.
- FOR MASONRY OR CONCRETE OPENINGS, A 1X WOOD BUCK MAY BE USED (OPTIONAL) AS LONG AS THE MINIMUM EMBEDMENT AND EDGE DISTANCE REQUIREMENTS ARE STILL MET WITHIN THE CORRESPONDING HOST SUBSTRATE. SEE GENERAL NOTE #3 ON SHEET 1 FOR MORE INFORMATION.
- FOR HOLLOW BLOCK AND GROUT FILLED BLOCK, DO NOT INSTALL INSTALLATION ANCHORS INTO MORTAR JOINTS. EDGE DISTANCE IS MEASURED FROM FREE EDGE OF BLOCK OR EDGE OF MORTAR JOINT INTO FACE SHELL OF BLOCK.
- INSTALLATION ANCHORS SHALL BE INSTALLED IN ACCORDANCE WITH ANCHOR MANUFACTURER'S INSTALLATION INSTRUCTIONS, AND ANCHORS SHALL NOT BE USED IN SUBSTRATES WITH STRENGTHS LESS THAN THE MINIMUM STRENGTH SPECIFIED BY THE ANCHOR MANUFACTURER.

ANCHOR SCHEDULE				
METHOD	SUBSTRATE	ANCHOR TYPE	MIN. EMBEDMENT	MIN. EDGE DISTANCE
THROUGH FRAME INSTALLATION	WOOD: MIN. SG = 0.55	#10 WOOD SCREW	1.50"	0.75"
	METAL: 18 GAUGE STEEL, MIN. Fy = 33KSI, ALUMINUM: 1/8" MIN., 6063-T5	#10 SELF-DRILLING SCREW	3 THREADS MIN PENETRATION BEYOND STRUCTURE	0.50"
	CONCRETE: f'c=3000PSI	3/16" ITW TAPCON	1.25"	2.50"
	MASONRY: CMU per ASTM C90 MIN. 2000 PSI	3/16" ITW TAPCON	1.00"	2.50"



100 FOURTH AVE. NORTH  
BAYPORT, MN 55003-1096  
PH: (651) 264-5150 FX: (651) 264-5485

TITLE: RENEWAL by ANDERSEN ENSEMBLE INSWING DOOR (NON-HVHZ) (NON-IMPACT)  
ANCHOR DETAILS & INSTALLATION NOTES  
PREPARED BY: BUILDING DROPS, INC.  
1900 NE MIAMI COURT, STE. 2-15  
MIAMI, FL 33132  
PH: (954) 399-8478  
FAX: (954) 744-4738  
WEB: www.buildingdrops.com

REMARKS	BY	DATE

THE INSTALLATION DETAILS DESCRIBED HEREIN ARE GENERIC AND MAY NOT REFLECT ACTUAL CONDITIONS FOR A SPECIFIC SITE. IF SITE CONDITIONS CAUSE INSTALLATION TO DEVIATE FROM THE REQUIREMENTS DETAILED HEREIN, A LICENSED ENGINEER OR ARCHITECT SHALL PREPARE SITE SPECIFIC DOCUMENTS FOR USE WITH THIS DOCUMENT.



FL #: **FL46734**  
DATE: **03.25.2024**  
DWG. BY: **SH** | CHK. BY: **HFN**  
SCALE: **NTS**  
DWG. #: **AWD345**  
SHEET: **14** OF 15

# QUALIFIED PANEL CONFIGURATIONS



100 FOURTH AVE. NORTH  
BAYPORT, MN 55003-1096  
PH: (651) 264-5150 FX: (651) 264-5485

TITLE: RENEWAL by ANDERSEN  
ENSEMBLE INSWING DOOR  
(NON-HVHZ) (NON-IMPACT)

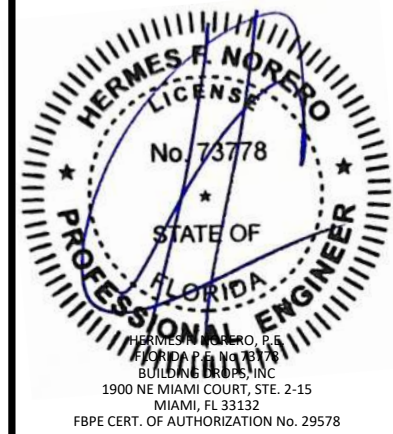
PREPARED BY: QUALIFIED PANEL  
CONFIGURATIONS

BUILDING DROPS, INC.  
1900 NE MIAMI COURT, STE. 2-15  
MIAMI, FL 33132  
PH: (954) 399-8478  
FAX: (954) 744-4738  
WEB: www.buildingdrops.com



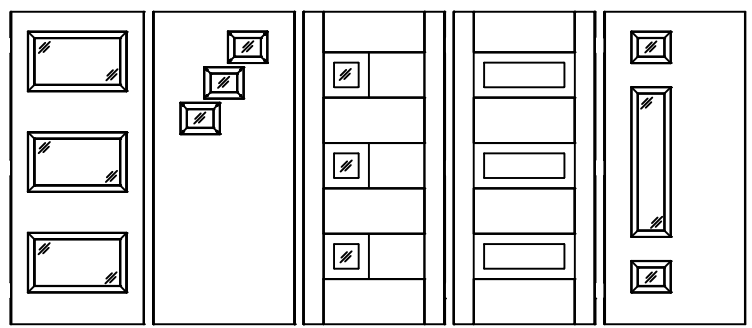
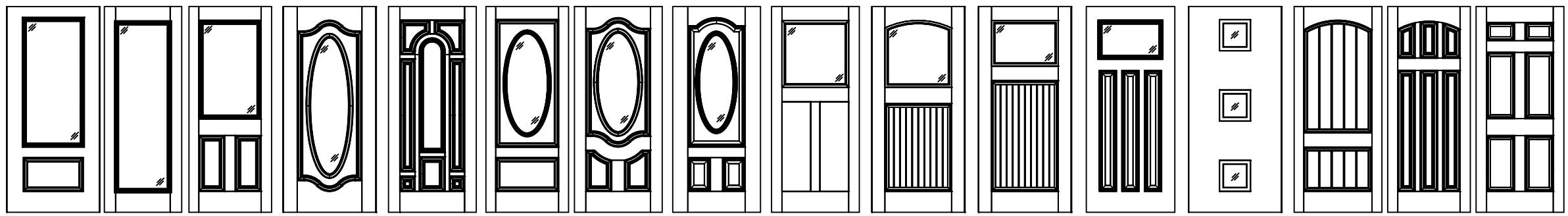
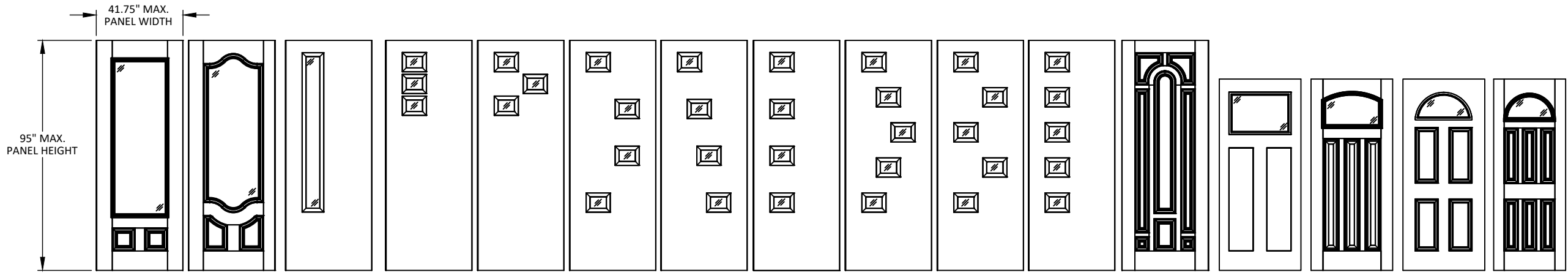
REMARKS	BY	DATE

THE INSTALLATION DETAILS DESCRIBED HEREIN ARE GENERIC AND MAY NOT REFLECT ACTUAL CONDITIONS FOR A SPECIFIC SITE. IF SITE CONDITIONS CAUSE INSTALLATION TO DEVIATE FROM THE REQUIREMENTS DETAILED HEREIN, A LICENSED ENGINEER OR ARCHITECT SHALL PREPARE SITE SPECIFIC DOCUMENTS FOR USE WITH THIS DOCUMENT.



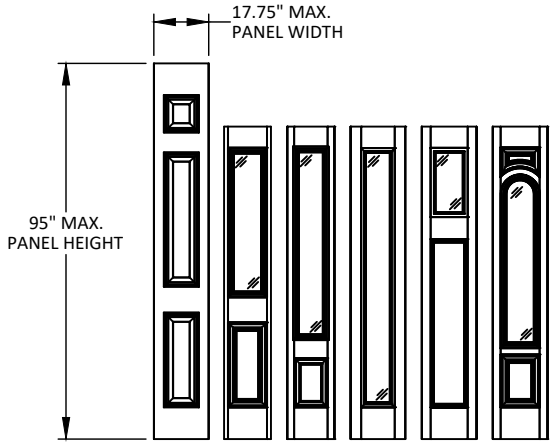
FL #:	<b>FL46734</b>
DATE:	<b>03.25.2024</b>
DWG. BY:	<b>SH</b>
CHK. BY:	<b>HFN</b>
SCALE:	<b>NTS</b>
DWG. #:	<b>AWD345</b>
SHEET:	<b>15</b>

## DOOR PANELS



NOTE: ALL ELEVATIONS SHOWN MUST STAY WITHIN THE MAXIMUM TESTED AREA OF SIZES SHOWN ON SHEETS 2-5. CUSTOM SIZES SMALLER THAN TESTED ARE QUALIFIED AS WELL. CUSTOM SHAPES (ROUND TOP, ARCH TOP, EYEBROW, ETC.) ARE QUALIFIED AS WELL.

## SIDELITE PANELS



5/2/2024 2:27 PM  
c:\Users\sebastianh\Documents\Projects\anderson windows\lbc-22-0741 - fbc submittal - rba inswing door - non impact.dwg\awd345.dwg