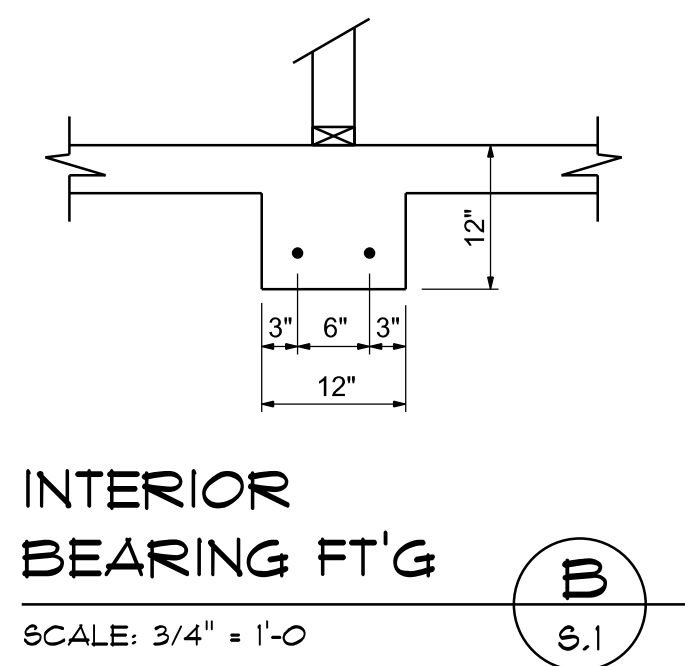
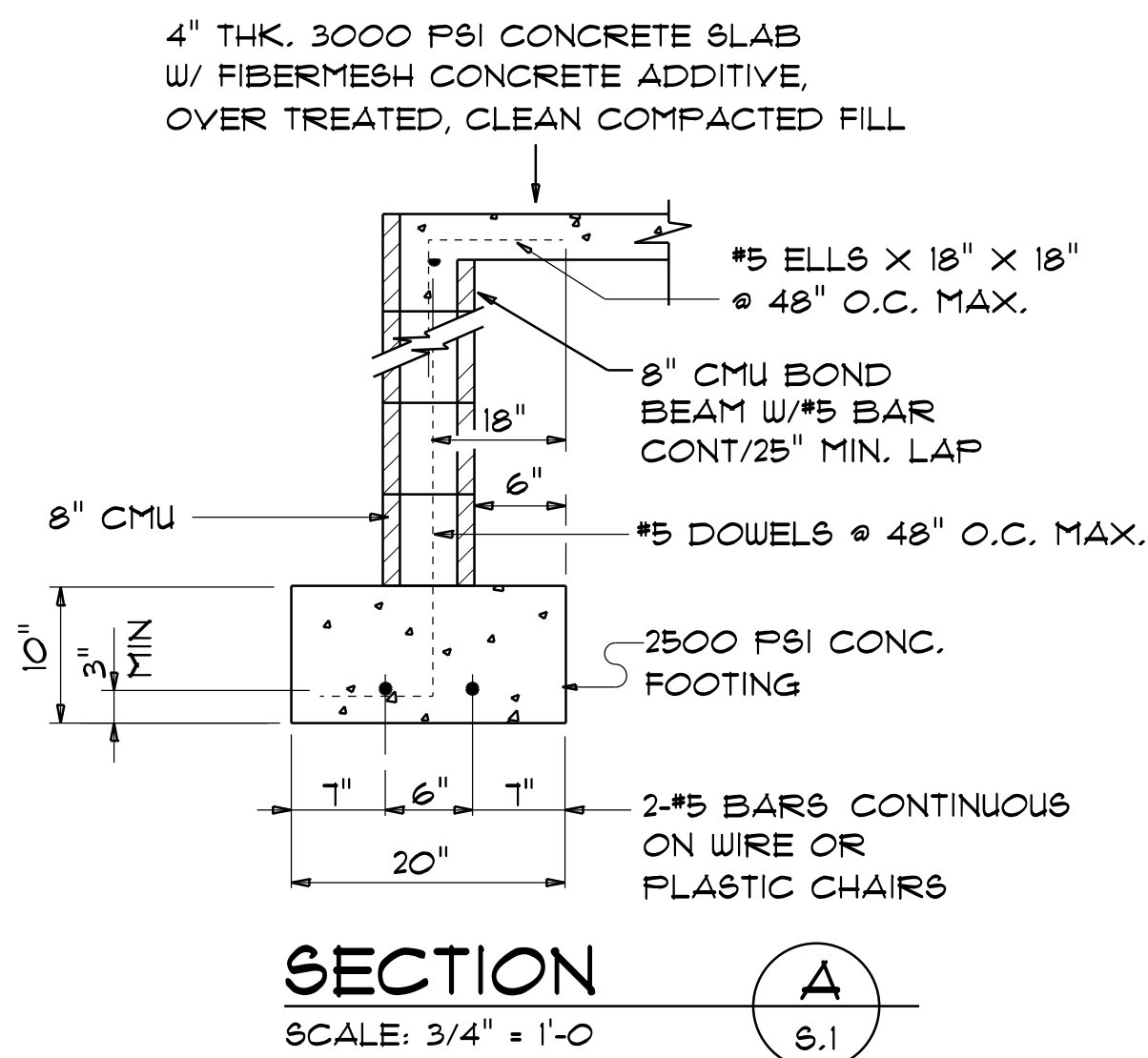
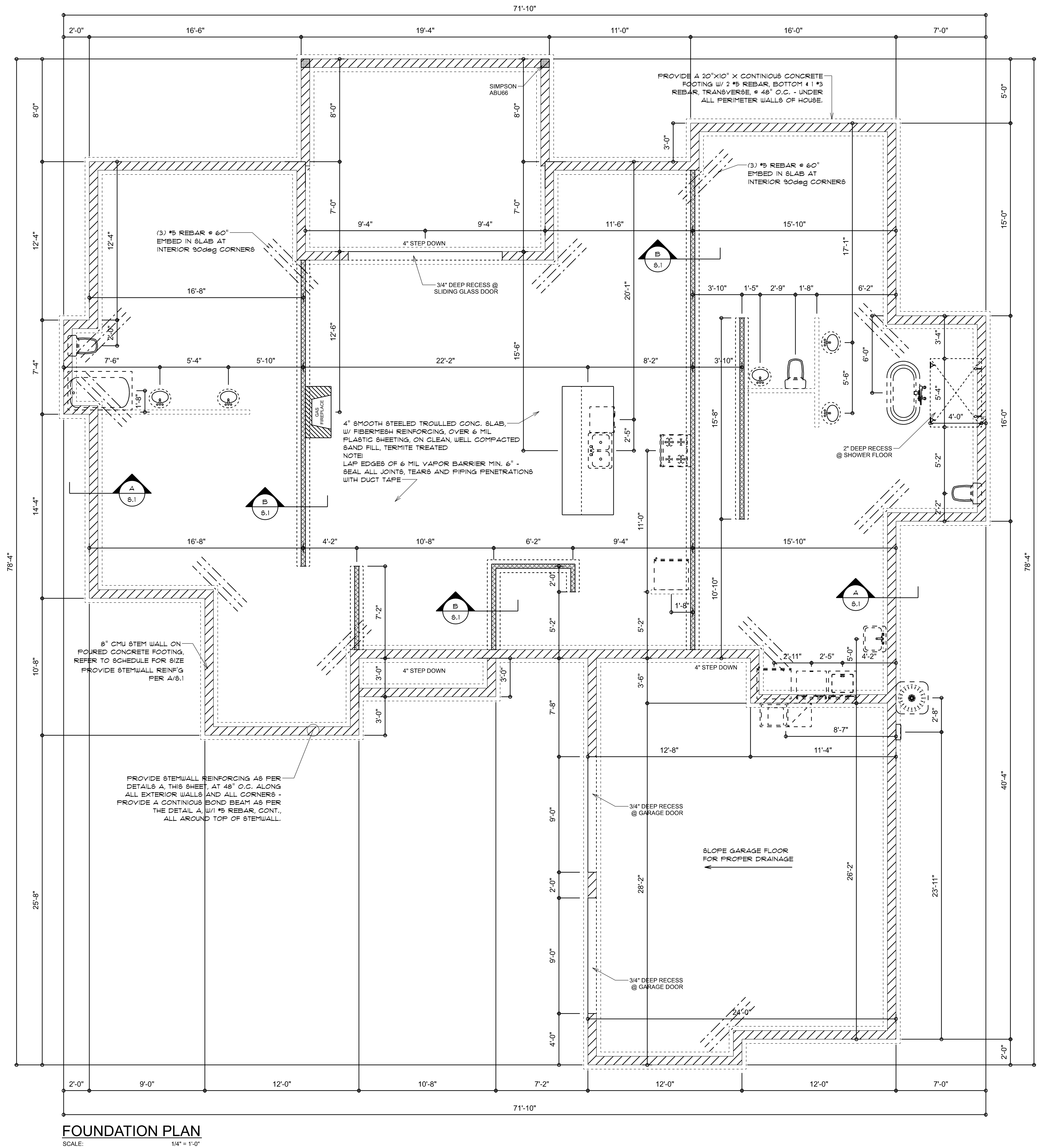


CONCRETE / MASONRY / METALS GENERAL NOTES:

- DESIGN SOIL BEARING PRESSURE: 1500 PSF.
- EXPANSIVE SOILS: WHERE DIRECTED BY THE SOILS ENGINEER, SOIL AUGMENTATION PER THE SOILS ENGINEER'S SPECIFICATIONS SHALL BE IMPLEMENTED PRIOR TO PLACING ANY FOUNDATIONS - TESTS AS SPECIFIED SHALL BE PERFORMED TO DETERMINE THE SUITABILITY OF THE SUB-GRADE TO SUPPORT THE DESIGN LOADS.
- CLEAN SAND FILL OVER STRIPPED AND COMPACTED EXISTING GD. SHALL BE PLACED IN 12" LIFTS. BOTH SUB-SOIL AND FILL COMPACTION SHALL BE NOT LESS THAN 98% AS MEASURED BY A MODIFIED PROCTOR TEST AT THE RATE OF ONE TEST FOR EACH 1500 SF OF BUILDING PAD AREA, OR FRACTION THEREOF, FOR EACH 12" LIFT.
- REINFORCING STEEL SHALL BE GRADE 40 AND MEET THE REQUIREMENTS OF ASTM A615, ALL BENDS SHALL BE MADE COLD.
- WELDED WIRE MESH SLAB REINFORCING SHALL MEET THE REQUIREMENTS OF ASTM A185 - MIN. YIELD STRESS = 85 KSI.
- CONCRETE SHALL BE STANDARD MIX F_c = 3000 PSI FOR ALL FTG. SLABS, COLUMNS AND BEAMS OR SHALL BE STANDARD PUMP MIX F_c = 3000 PSI, STRENGTH SHALL BE ATTAINED WITHIN 28 DAYS OF PLACEMENT, MIXING, PLACING AND FINISHING SHALL BE AS PER ACI STANDARDS.
- CONCRETE BLOCK SHALL BE AS PER MANUFACTURER'S PRODUCT GUIDE FOR ASTM C-90 REQUIREMENTS WITH MEDIUM SURFACE FINISH - F_m = 1500 PSI.
- MORTAR SHALL BE TYPE "M" OR "N" FOR ALL MASONRY UNITS.
- STRUCTURAL STEEL SHALL CONFORM TO ASTM A36 STANDARDS FOR STRENGTH, BOLTS SHALL BE ASTM A307 / GRADE I OR A325, AS PER PLAN REQUIREMENTS.
- WELDS SHALL BE AS PER "AMERICAN WELDING SOCIETY" STANDARDS FOR STRUCTURAL STEEL APPLICATIONS.
- 2x4 P/T WOOD BILL, CONT., ALL AROUND, W/ 5/8" A.B. W/ 3" SQ. X 1/4" PLATE WASHERS WITHIN 12-16" FROM EACH CORNER, EA. WAY, & WITHIN 8-12" FROM ALL WALL OPENINGS / ENDS - 1/2" A.B. W/ 2" SQ. WASHERS ALONG EACH RUN @ 48" O.C. MAX. - ALL ANCHOR BOLTS SHALL HAVE A MINIMUM OF 8" EMBEDMENT INTO THE CONCRETE.



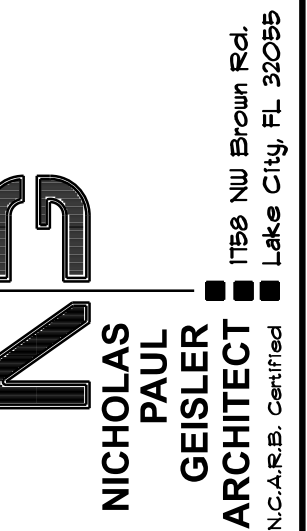
NOTE: VERIFY INTERIOR BEARING WALLS WITH TRUSS MANUFACTURE DRAWINGS! USE DETAIL "B" THIS PAGE AT ALL INTERIOR BEARING LOC.



REVISIONS
May 7th, 2024



CUSTOM HOME FOR:
IC CONST. SPEC HOUSE
COLUMBIA COUNTY, FLORIDA



SHEET NUMBER
S.1
OF 4 SHEETS

N. P. GEISLER
AR0007005

Digitally signed by: N. P. GEISLER
DN: CN = N. P. GEISLER, email = ngeisler47@gmail.com, C = US O = ARCHITECT, OU = AR0007005
Date: 2024.06.14 17:06:23 -0500