

**GENERAL PLUMBING NOTES**

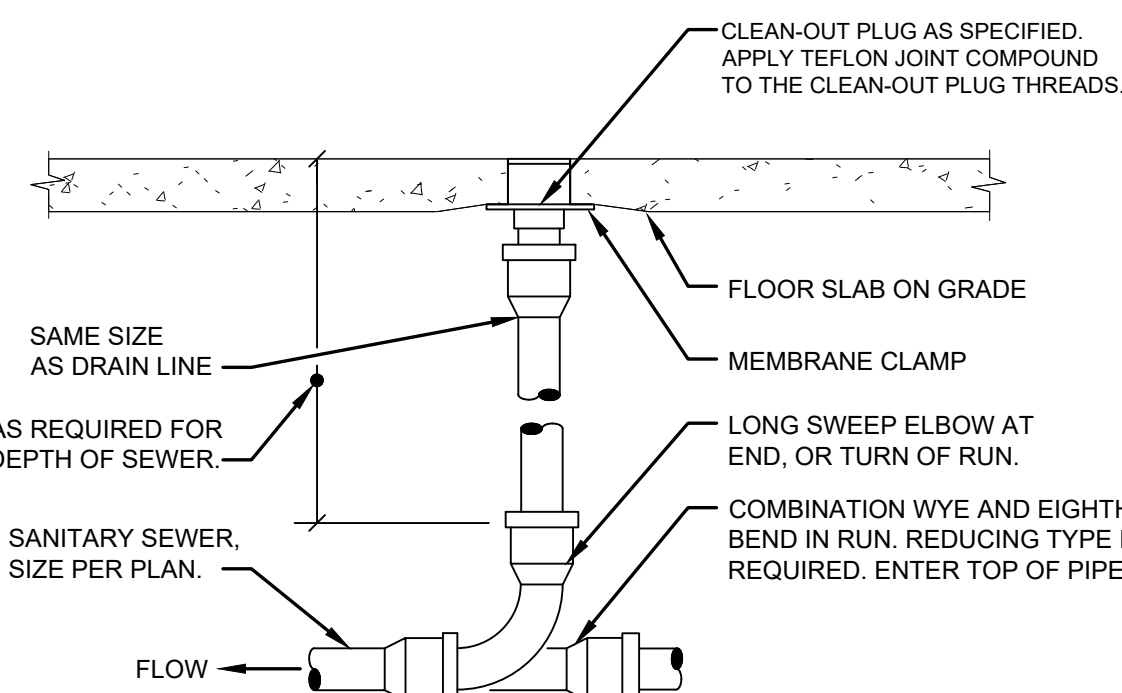
- ALL WORK AND MATERIALS SHALL BE IN COMPLIANCE WITH THE 8TH EDITION OF THE FLORIDA BUILDING CODES (2023), AND ALL APPLICABLE CODES AS ADOPTED AND AMENDED BY THE INSPECTING AUTHORITIES. NOTHING IN THESE DRAWINGS IS TO BE CONSTRUCTED TO PERMIT WORK NOT CONFORMING TO THE APPLICABLE CODES. IN THE EVENT OF CONFLICT BETWEEN THE CODE REQUIREMENTS AND THE DRAWINGS OR SPECIFICATIONS THE MOST STRINGENT SHALL PREVAIL.
- THESE DRAWINGS HAVE BEEN DEVELOPED FROM THE BEST AVAILABLE INFORMATION. CONTRACTOR SHALL FIELD VERIFY ALL FIELD CONDITIONS, DIMENSIONS, CLEARANCES, LOCATION OF EXISTING UTILITIES, ETC. PRIOR TO BIDDING, FABRICATION OR INSTALLATION. DO NOT SCALE FROM THESE MANUFACTURER INSTALLATION DATA.
- COORDINATE PLUMBING INSTALLATION AMONG TRADES TO AVOID INTERFERENCES.
- CONTRACTOR SHALL NOT PASS SANITARY, DOMESTIC WATER, WENT PIPING OR ANY OTHER TYPE OF PLUMBING DIRECTLY OVER ANY ELECTRICAL EQUIPMENT. COORDINATE WITH ELECTRICAL CONTRACTOR TO MAINTAIN ANY REQUIRED CLEARANCES.
- INSULATE ALL ABOVE GROUND HOT DOMESTIC WATER PER SPECIFICATIONS.
- THE CONTRACTOR SHALL FURNISH ALL LABOR, INSTALL ALL MATERIAL AND EQUIPMENT AND INCLUDE SERVICES AND INCIDENTALS TO THE INSTALLATION OF WORK INVOLVED FOR A COMPLETE AND OPERATING FACILITY.
- CONTRACTOR SHALL BE RESPONSIBLE FOR ASSEMBLING ANY EQUIPMENT SHIPPED IN SECTIONS, IN ACCORDANCE WITH MANUFACTURER'S INSTRUCTIONS.
- IT SHALL BE THE RESPONSIBILITY OF THE CONTRACTOR TO OBTAIN ALL REQUIRED PERMITS, INSPECTIONS, AND PAY ALL FEES REQUIRED FOR THIS JOB.
- THE PIPING SYSTEM SHALL BE ARRANGED SO AS TO PREVENT WATER HAMMER, EACH ISOLATED FIXTURE SHALL HAVE A WATER HAMMER ARRESTOR.
- THE PLUMBING CONTRACTOR SHALL PROVIDE AND INSTALL STANDARD 1/2"x3/8" COMPRESSION ANGLE STOPS ON ALL WATER LINES UNLESS ANOTHER TYPE OF VALVE IS SPECIFIED.
- SANITARY SEWER AND VENT PIPING SHALL BE SCHEDULE 40 PVC UNLESS LOCATED IN AN HVAC RETURN PLENUM. SANITARY AND VENT PIPING LOCATED IN AN HVAC RETURN PLENUM TO BE CAST IRON.
- ALL VENTS TO PENETRATE THROUGH ROOF (VTR) AND SHALL EXTEND A MINIMUM OF 12' ABOVE ROOF AND SHALL TERMINATE A MINIMUM OF 10'-0" FROM ALL OUTSIDE AIR INTAKES.
- ALL ROOF PENETRATIONS FOR PLUMBING PIPING SHALL BE MADE IN COORDINATE WITH ARCHITECTURAL.
- COPPER PIPING JOINTS SHALL BE SOLDERED USING SOLDER FILLER METAL (ASTM B-32) 95-5 TINANTIMONY.
- ALL PENETRATIONS THROUGH MASONRY WALLS WILL BE CORE DRILLED AND SLEEVED.
  - SLEEVES ARE REQUIRED WHERE A PIPE PASSES THROUGH A WALL OR FLOOR. PIPES PASSING THROUGH A WALL OR FLOOR MUST BE INDIVIDUALLY SLEEVED UNLESS APPROVED BY ARCHITECT.
  - SLEEVES SHALL FINISH FLUSH WITH THE WALL FINISH AND SHALL FINISH 1/4" ABOVE FINISH FLOOR.
  - SLEEVES SHALL BE AS FOLLOWS:
    - THROUGH MASONRY WALLS-GALVANIZED STEEL PIPE, CUT EDGES PAINTED.
    - THROUGH PARTITIONS AND FLOOR - SCHEDULE 40 PVC.
- FLOORS DRAINS NOT REQUIRED
- LABEL ALL PIPING PER ANSI STANDARDS WITH SERVICE AND TENANT SPACE. LABELS MUST BE LEGIBLE FROM FINISHED FLOOR WITH CEILING REMOVED.
- PROVIDE ALL BACKING, SUPPORTS AND CARRIERS FOR FIXTURES.
- CONTRACTOR SHALL PROVIDE APPROVED ACCESS DOORS IN FRAMED HOLES FOR ALL VALVES AND TRAP PRIMERS WHICH MUST BE LOCATED IN INACCESSIBLE LOCATIONS.
- ALL WATER PIPING SHALL BE PITCHED IN DIRECTION OF FLOW TO ALLOW FOR SYSTEM DRAINING.
- INSTALL WATER MAIN SHUT-OFF VALVE UPSTREAM FROM PRESSURE REGULATOR.
- INSTALL WATER PRESSURE REGULATOR WHERE AVAILABLE UTILITY PRESSURE EXCEEDS 70 PSI. SET PRESSURE REGULATOR AT 65 PSI.
- ROUTE WATER PIPING IN SALES AREA, OVERHEAD AS HIGH AS POSSIBLE.
- DRAIN, WASTE AND VENT LINES SHALL PASS INSPECTION UNDER HEAD OF WATER BY SYSTEM WITH WATER TO TOP OF HIGHEST VENT STACK.
- WATER LINES SHALL PASS INSPECTION OF FOUR (4) HOURS UNDER 150 PSI PRESSURE. BEFORE ANY USE OF SYSTEM IS MADE FOR DOMESTIC PURPOSES, IT SHALL BE DISINFECTED BY SLOWLY FILLING WITH WATER TO WHICH A DISINFECTING AGENT HAS BEEN INJECTED AT A RATE OF 50 P.P.M. OF CHLORINE, WHICH SHOULD BE ALLOWED TO STAND IN THE PIPING FOR AT LEAST 24 HOURS, AFTER WHICH TESTS FOR RESIDUAL CHLORINE SHALL SHOW NOT LESS THAN FIVE (5) P.P.M. OF RESIDUAL CHLORINE AT EVERY WATER OUTLET IN THE BUILDING. IF THE RESIDUAL IS LESS THAN FIVE PPM, THE DISINFECTION SHALL BE REPEATED UNTIL THE REQUIRED RESIDUAL IS OBTAINED AT EVERY OUTLET. AFTER REQUIRED RESIDUAL IS OBTAINED AT EVERY OUTLET, THE SYSTEM SHALL BE FLUSHED UNTIL THE CHLORINE LEVEL AT EVERY OUTLET IS REDUCED TO THAT OF INCOMING WATER SUPPLY. IF STRICTER LOCAL REQUIREMENTS ARE IN PLACE, THOSE SHALL BE FOLLOWED.

MARK	DESCRIPTION	MODEL #	REMARKS	REFER TO MATERIALS ON P2			
				HW CONNECTION	CW CONNECTION	WASTE CONNECTION	VENT CONNECTION
LAV-1	ADA LAVATORY	0355.012	20"X18" WALL HUNG ADA LAVATORY W/ FRONT OVERFLOW, CONCEALED HANGERS & 4" CENTERS. AMERICAN STANDARD LUCERNE #0355.012 OR EQUAL. FAUCET SHALL BE POLISHED CHROME-PLATED CAST BRASS BODY WITH 4" SPOUT, 4" BRASS WRIST BLADE, 0.5 GPM SPRAY AND GRID STRAINER DRAIN. AMERICAN STANDARD MONTERREY #5502.175 WITH WATTS MODEL USG-B-M1 TEMPERING VALVE OR EQUAL. INSULATE EXPOSED DRAIN & WATER PIPES WITH TRUEBRO LAV GUARD KIT #102 E-Z. PROVIDE SUPPLY LINES, STOP VALVES & P-TRAP.	1/2"	1/2"	2"	1-1/2"
WC-1	ADA WATER CLOSET	211AA.104	FLOOR MOUNTED ADA VITREOUS CHINA ELONGATED 1.6 FLUSH GALLON CLOSE COUPLED TWO PIECE SIPHON JET WATER CLOSET & FLUSH TANK WITH 12" ROUGH-IN. AMERICAN STANDARD CHAMPION 4 "RIGHT HEIGHT" #2002.014 OR EQUAL. PROVIDE STOP VALVE, FLEXIBLE SUPPLY LINE & OPEN FRONT SEAT (AMERICAN STANDARD #5901.100 OR EQUAL).	-	1/2"	4"	2"
WC-2	ADA WATER CLOSET RIGHT-HAND TRIP LEVER	211AA.105	FLOOR MOUNTED ADA VITREOUS CHINA ELONGATED 1.6 FLUSH GALLON CLOSE COUPLED TWO PIECE SIPHON JET WATER CLOSET & FLUSH TANK WITH 12" ROUGH-IN. AMERICAN STANDARD CHAMPION 4 "RIGHT HEIGHT" #2002.014 OR EQUAL WITH ALTERNATE TANK ASSEMBLY #4266.804 (RIGHT HAND TRIP LEVER). PROVIDE STOP VALVE, FLEXIBLE SUPPLY LINE & OPEN FRONT SEAT (AMERICAN STANDARD #5901.100 OR EQUAL).	-	1/2"	4"	2"
EW-1	ELECTRIC WATER HEATER	EJC-10	PROVIDE 10 GALLON ELECTRIC WATER HEATER. 1.65KW @ 120V WITH MANUFACTURER SUPPLIED TEMPERATE AND PRESSURE RELIEF VALVE. (A.O. SMITH #EJC-10, OR EQUAL). SET WATER HEATER TEMPERATURE AT 110°F MAXIMUM. PROVIDE THERMAL EXPANSION TANK. (AMTROL THERM-X-TROL ST-12, OR EQUAL). EXPANSION TANK SUPPORT: IT IS THE CONTRACTOR'S RESPONSIBILITY TO PROVIDE ADEQUATE SUPPORT FOR THE EXPANSION TANK. SUPPORT TO ADJACENT WALL OR FROM EXISTING STRUCTURE ABOVE WITH UNISTRUT. DO NOT SUPPORT FROM PIPE ALONE. PROVIDE DRAIN PAN UNDER WATER HEATER. PROVIDE SEISMIC STRAPPINGS ON WATER HEATER. TERMINATE (EW-1) DRAIN LINE IN MOP SINK (MS-1). PROVIDE FULL SIZE T&P RELIEF LINE. REFER TO WATER HEATER DETAIL ON SHEET P2 FOR ADDITIONAL INFORMATION.	3/4"	3/4"	-	-
MS-1	MOP SINK	MSB-24-24	24" X 24" MOLDED STONE MOP SERVICE BASIN WITH 3" DRAIN. FIAT #MSB-2424 OR EQUAL. PROVIDE SERVICE FAUCET WITH PAIL HOOK & INTEGRAL VACUUM BREAKER, MOP BRACKET, FLAT STAINLESS STEEL STRAINER AND HOSE & BRACKET. FIAT #830 AA, 889 CC, 1453 BB & 832 AA OR EQUAL. PROVIDE SUPPLY LINES AND P-TRAP.	3/4"	3/4"	3"	2"
EDF-1	BARRIER FREE ELECTRIC DRINKING FOUNTAIN	EZTLRDDC	TWO-STATION, WALL MOUNTED, ELECTRIC DRINKING FOUNTAIN, BARRIER-FREE ACCESS (ADA), FRONT ONLY EASY TOUCH CONTROL, HIGH UNIT ON RIGHT. ELKAY #EZTLRDDC OR EQUAL. PROVIDE SUPPLY LINE, STOP VALVE & P-TRAP. PROVIDE CANE APRON AS REQUIRED.	-	1/2"	2"	1-1/2"
WH-1	WALL HYDRANT	Z-1320	FREEZE-PROOF WALL HYDRANT WITH BRONZE BODY & ANTI-SIPHON VACUUM BREAKER, BOX AND LOCKING COVER. PROVIDE WITH HOSE CONNECTION AND MOUNT AT 24" ABOVE GRADE. WOODFORD #B65 OR EQUAL.	-	3/4"	-	-
WCO-1	WALL CLEAN-OUT	Z-1441	SIZE & INSTALL AS SHOWN ON PLANS. JOSAM, ZURN OR EQUAL.	-	-	AS SHOWN ON PLANS	-
ECO-1	EXTERIOR CLEAN-OUT		PROVIDE TRAFFIC RATED, 2-WAY, EXTERIOR CLEANOUT. TYLER PIPE #003519, OR EQUAL.	-	-	4"	-
FCO-1	FLOOR CLEAN-OUT	Z1400	PROVIDE ADJUSTABLE FLOOR CLEANOUT WITH WATERTIGHT TAPERED THREADED PLUG AND ROUND SCORiated SECURED TOP, ADJUSTABLE TO FINISHED FLOOR. SIZE & INSTALL AS SHOWN ON PLANS. JOSAM, ZURN OR EQUAL.	-	-	AS SHOWN ON PLANS	-
RP-1	HOT WATER RECIRC PUMP		HOT WATER RECIRCULATION PUMP. TACO#003B. 115 V, 0.43 AMP, 1/40 HP, 1/2" CONNECTIONS, 4 FT HEAD. PROVIDE BALANCE VALVE, AQUASTAT & 7-DAY PROGRAMMABLE TIMER.	3/4"	3/4"	-	-

NOTES:  
1) PROVIDE TRUEBRO INSULATION KIT #102 ON PUBLIC LAVATORIES.

MATERIALS	
1. DRAIN, WASTE AND VENT	A. SCHEDULE 40 AND 80 PVC OR ABS PIPING WITH DWV PATTERN FITTINGS TO BE USED UNLESS OTHERWISE REQUIRED BY LOCAL CODE.
2. HOT AND COLD WATER	A. ABOVE GRADE: a) TYPE "L" COPPER TUBING, HARD TEMPER, COLD DRAWN WITH WROUGHT COPPER LEAD FREE SWEAT FITTINGS. CONNECTIONS TO FIXTURES AND EQUIPMENT SHALL BE MADE WITH 85% RED BRASS IPS SIZE PIPE OR COMPRESSION ANGLE STOPS. PROVIDE DIELECTRIC UNIONS WHERE CONNECTING PIPING OF DISSIMILAR MATERIALS. NOTE: INSULATE ALL HOT WATER PIPING WITH 1" THICK ARMAFLEX PIPE KITS (FLEXIBLE UNICELLULAR).
	B. BELOW GRADE: b) TYPE "K" COPPER TUBING, HARD OR SOFT TEMPER, WITH WROUGHT COPPER LEAD FREE SWEAT FITTINGS. NOTE: NO FITTINGS SHALL BE PERMITTED BELOW GRADE INSIDE BUILDING.

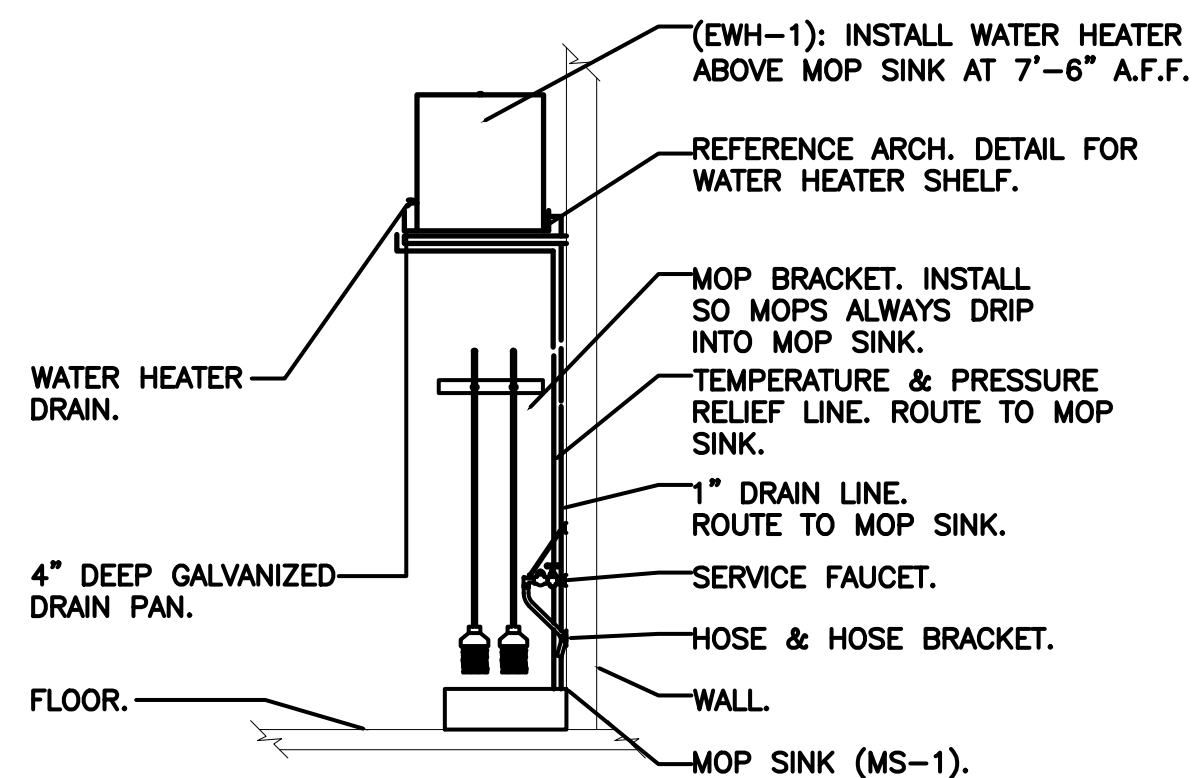
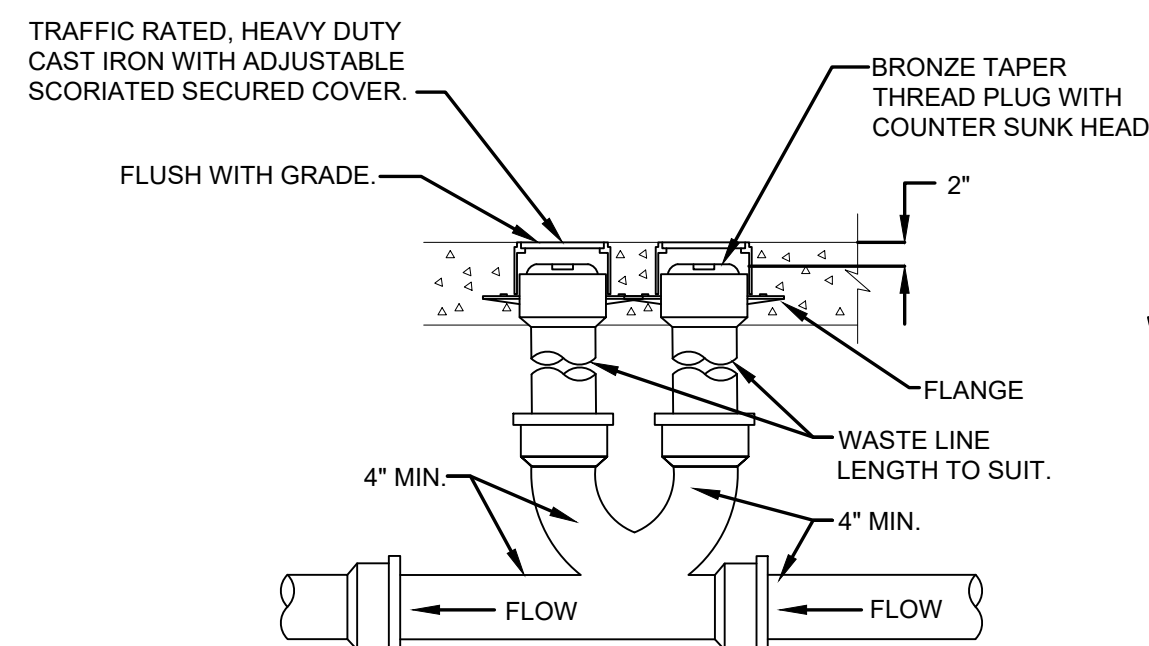
SYMBOL LEGEND	
— SAN —	SANITARY PIPING
— SAN BLW —	SANITARY PIPING BELOW
— V —	VENT PIPING
— GAS —	GAS PIPING
— CW —	COLD WATER PIPING
— HW —	HOT WATER PIPING
⊗	SHUT-OFF VALVE
⊗	BACKFLOW PREVENTER
⊗	PRESSURE REGULATOR
⊗	WALL CLEANOUT
⊗	FREEZE-PROOF HOSE BIBB
⊗	2-WAY EXTERIOR CLEANOUT
⊗	FLOOR CLEANOUT



NOTES:  
1. REFER TO SCHEDULE FOR ADDITIONAL INFORMATION. LOCATE FLOOR CLEAN-OUT AT END OF RUN, TURNS OF PIPE GREATER THAN 45°, 50' INTERVALS ON STRAIGHT RUNS, AND/OR WHERE SHOWN ON PLANS & RISERS. PROVIDE BACKFILL AS REQUIRED. LOCATE CLEAN-OUT WHERE THERE IS 18" CLEAR AROUND, FOR ACCESSIBILITY. COORDINATE WITH LOCAL CODES AND AUTHORITY HAVING JURISDICTION FOR ANY ADDITIONAL REQUIREMENTS.

2. PROVIDE FLOOR CLEAN-OUT WITH ADJUSTABLE COVER. CLEAN-OUT COVER SHALL BE SUITABLE FOR RESPECTIVE FLOOR COVERING (RECESSED FOR TILE, SCORiated FOR UNFINISHED FLOORS, ETC.). CLEAN THE TOP OF EXPOSED FLOOR CLEAN-OUT AFTER INSTALLATION.

3 FLOOR CLEANOUT  
P2.1 SCALE: N.T.S.



**CIVIL ENGINEERING DESIGN COORDINATION NOTICE**

NOTICE TO ALL PARTIES HAVING AN INTEREST IN THIS CONSTRUCTION PROJECT:  
1. CIVIL ENGINEERING FOR THIS PROJECT IS BEING PERFORMED BY OTHERS.  
2. CONTRACTORS RELYING ON DOCUMENTS NOT COORDINATED WITH THE CIVIL ENGINEERING WORK SHALL DO SO AT THEIR OWN RISK.  
3. COORDINATION WITH THE CIVIL ENGINEERING DOCUMENTS HAS BEEN COMPLETED ONLY AS SHOWN BELOW.

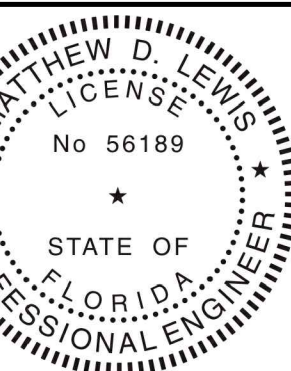
CIVIL ENGINEERING CONSULTANT IS: CHW CONTACT: C. MENHENNETT  
PHONE: (386) 518-6514

CIVIL SHEET DWG. NO.	CIVIL SHEET DWG. TITLE	REV. NO.	REV. DATE	REV. NO.	REV. DATE	REV. NO.	REV. DATE
C3.10	UTILITY PLAN	-	6-25-24				

COORDINATION CHECKED BY: INITIAL DATE INITIAL DATE INITIAL DATE  
JL 9-4-24

**JAMES BLYTHE**

REGISTERED ARCHITECT  
RA LEF AP BD+C  
1459 SW 74 DR  
GAINESVILLE, FL 32607  
AR94452



THESE DRAWINGS HAVE BEEN PREPARED, IN PART, BASED UPON INFORMATION FURNISHED BY OTHERS. WHILE THIS PROJECT ASSUMES NO RESPONSIBILITY FOR THE ACCURACY OF THESE DRAWINGS FOR ANY ERRORS OR OMISSIONS THAT MAY HAVE BEEN INCORPORATED INTO THEM AS A RESULT OF INCORRECT INFORMATION, THE CONTRACTOR SHALL OBTAIN VERIFICATION OF THE ACCURACY OF ALL INFORMATION AND ALL APPLICABLE CODES AND ORDINANCES. SUPERINTENDENTS ARE RESPONSIBLE FOR THE ACCURACY OF ALL INFORMATION, DESIGN AND BUILDING TECHNIQUES HELD WITHIN THESE DRAWINGS. THIS NOTICE IS THE EXCLUSIVE PROPERTY OF THE PARTIES NOTED ON THIS TITLE BLOCK.

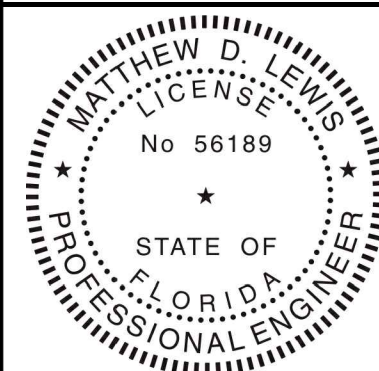


**DOLLAR GENERAL**  
4924 NW US HWY 41  
LAKE CITY, FL 32055  
STORE # 160  
2019 PROTOTYPE - PLAN DGP-B - 10,640 SQ. FT.

DRAWING DATE / DRAWN BY:  
9/4/24 - JL  
REVISION DATE / REVISED BY:  
PROJECT NUMBER:  
4000.257  
DRAWING TITLE:  
NOTES & DETAILS  
SHEET NO.

**PO**

**STEPANEK-LEWIS AND ASSOCIATES**  
2257 TWELVE OAKS WAY, SUITE 103  
WESLEY CHAPEL, FL 33544  
PH (813) 991-1248  
REGISTRY # 8397 23-010  
MATTHEW D. LEWIS, P.E. FL LIC#56189



THESE DRAWINGS HAVE BEEN PREPARED, IN PART, BASED UPON INFORMATION FURNISHED BY OTHERS. WHILE THIS FIRM ASSUMES NO RESPONSIBILITY FOR THE ACCURACY OF THESE DRAWINGS FOR ANY ERRORS OR OMISSIONS THAT MAY HAVE BEEN INCORPORATED INTO THEM AS A RESULT OF INCORRECT INFORMATION, THE INFORMATION IS BELIEVED TO BE CORRECT. ON THIS DOCUMENT ARE ADVISED TO OBTAIN VERIFICATION OF ITS ACCURACY. ALL WORK SHALL COMPLY WITH ANY AND ALL APPLICABLE CODES AND ORDINANCES. SUPERINTENDENTS ARE ADVISED THAT THE INFORMATION AND BUILDING TECHNIQUES HELD WITHIN THIS TITLE-BLOCK ARE THE EXCLUSIVE PROPERTY OF THE PARTIES NOTED ON THIS TITLE-BLOCK.

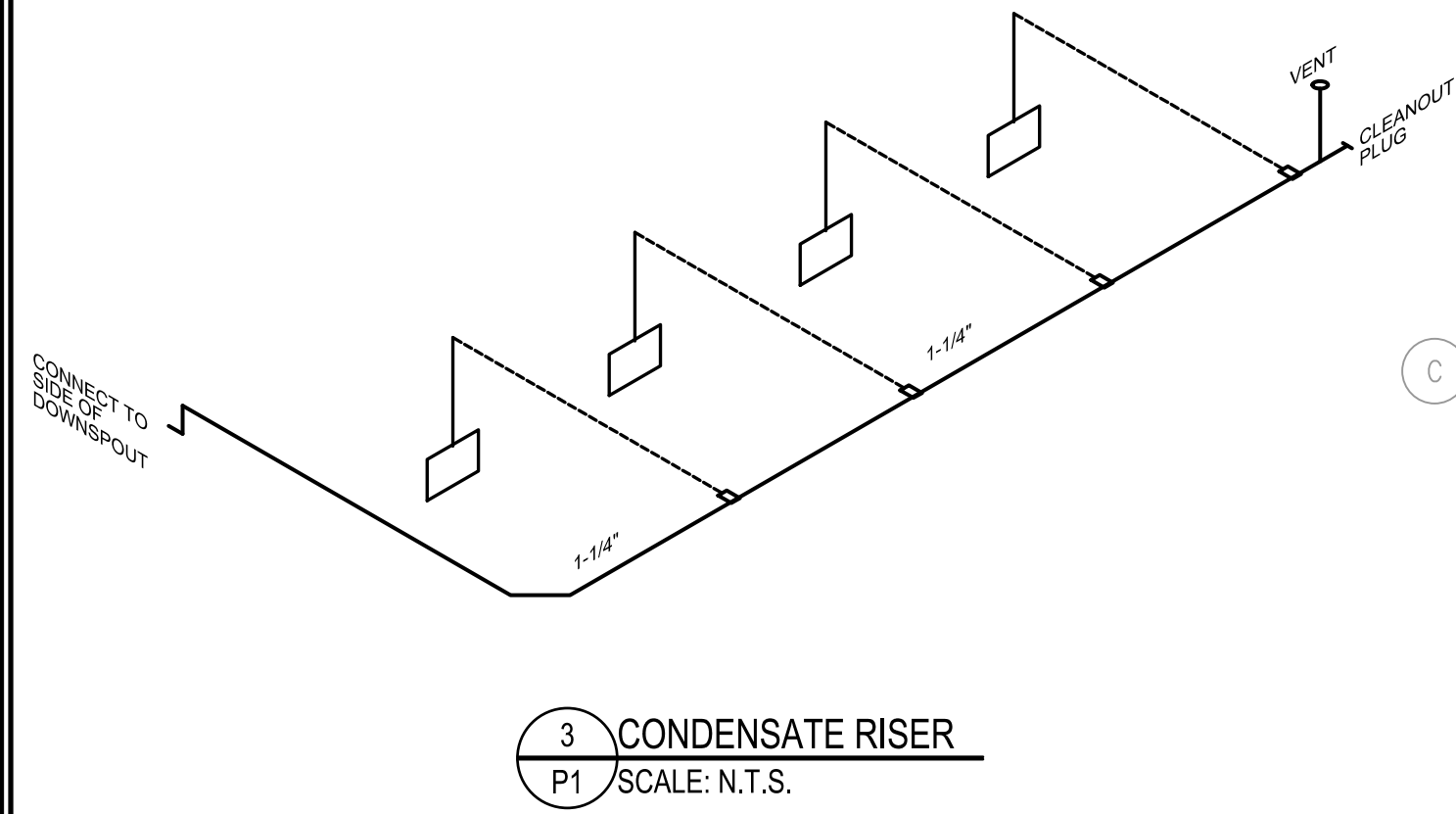
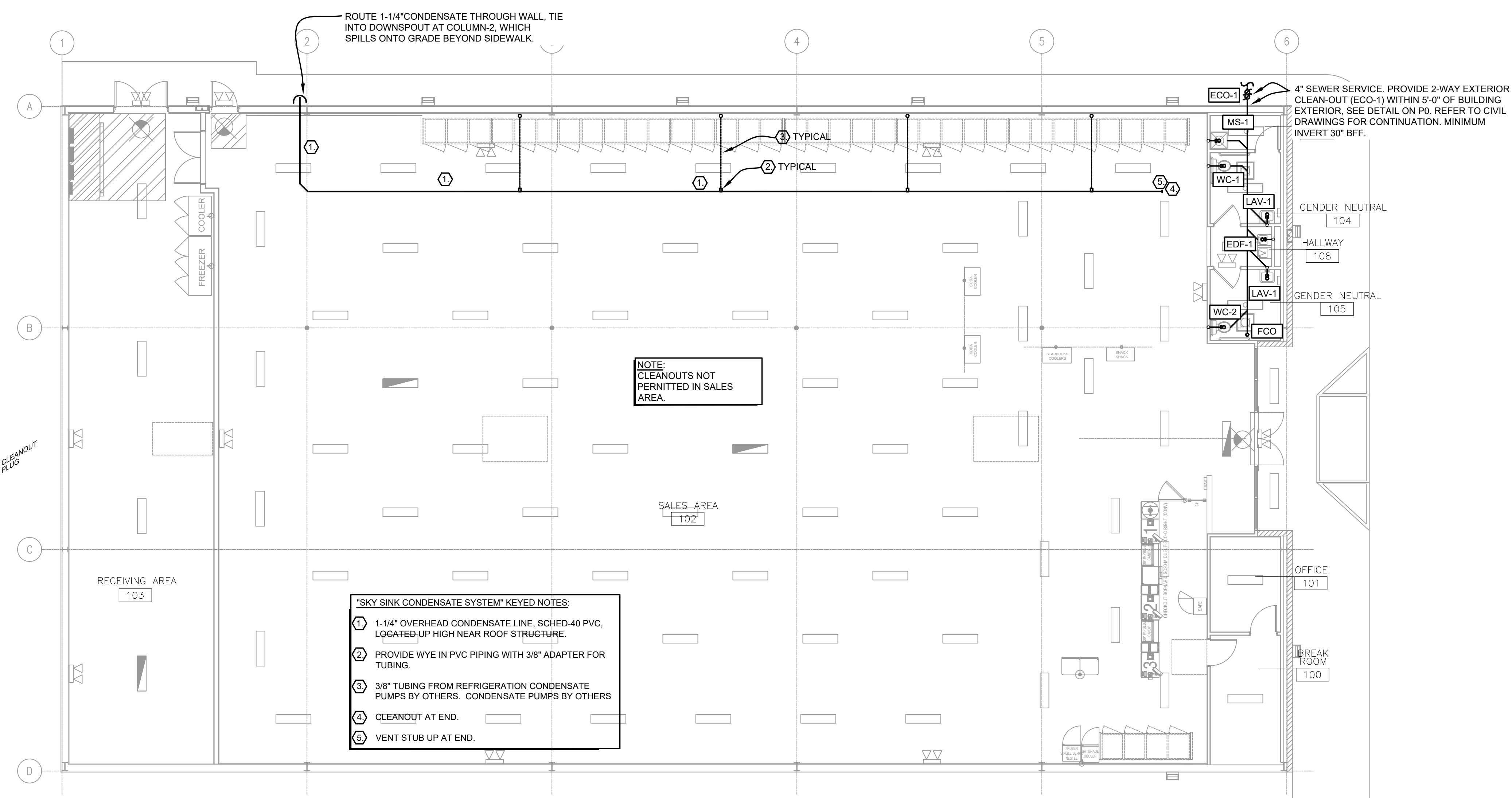
# TERAMORE DEVELOPMENT

**DOLLAR GENERAL**  
4924 NW US HWY 41  
LAKE CITY, FL 32055  
STORE # 160  
2019 PROTOTYPE - PLAN "DGP-B" - 10,640 SQ. FT.

DRAWING DATE / DRAWN BY:  
9/4/24 - JL  
REVISION DATE / REVISED BY:  
PROJECT NUMBER:  
4000.257  
DRAWING TITLE:  
SANITARY PLAN  
SHEET NO.

**P1**

**STEPANEK-LEWIS AND ASSOCIATES**  
2257 TWELVE OAKS WAY, SUITE 103  
WESLEY CHAPEL, FL 33544  
PH (813) 991-1248  
REGISTRY # 8397 23-010  
MATTHEW D. LEWIS, P.E. FL LIC#56189



**\*"SKY SINK CONDENSATE SYSTEM" KEYED NOTES:**

- 1-1/4" OVERHEAD CONDENSATE LINE, SCHED-40 PVC, LOCATED UP HIGH NEAR ROOF STRUCTURE.
- PROVIDE WYE IN PVC PIPING WITH 3/8" ADAPTER FOR TUBING.
- 3/8" TUBING FROM REFRIGERATION CONDENSATE PUMPS BY OTHERS. CONDENSATE PUMPS BY OTHERS
- CLEANOUT AT END.
- VENT STUB UP AT END.

**1 SANITARY PLAN**  
P1 SCALE: 1/8" = 1'-0"  
NORTH

**NOTES:**

- CONTRACTOR RESPONSIBLE FOR ALL PUBLIC UTILITY CONNECTIONS (WATER, ELECTRIC, SEWER) AS WELL AS INFRASTRUCTURE REQUIRED BY UTILITY COMPANY.
- PROVIDE WALL MOUNTED CLEAN OUTS AT LAVATORIES.

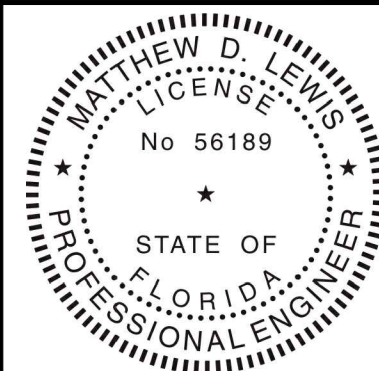
**SANITARY INVERT NOTE:**  
REQUIRED INVERT AT POINT OF CONNECTION (5 FT FROM EXTERIOR WALL) TO EXISTING SEWER SERVICE IS APPROXIMATELY 1'-11" BELOW FINISHED FLOOR BASED ON TOTAL LENGTH OF 35' SLOPED AT 1/8" PER FT AND STARTING INVERT OF 18" BELOW FINISHED FLOOR. CONTRACTOR TO FIELD VERIFY THE INVERT AND LOCATION OF SANITARY LINE AS SHOWN ON CIVIL DRAWINGS.

**NOTE:**  
SANITARY SEWER AND SANITARY VENT PIPE ROUTING ARE DIAGRAMMATIC ONLY. COORDINATE PIPE ROUTING WITH FIELD CONDITIONS. REFER TO PIPING DIAGRAMS.

**SANITARY SEWER NOTES:**

- EW-1 TO DRAIN INTO MOP SINK (MS-1)
- REFER TO SHEET P1 FOR ADDITIONAL INFORMATION.

**2 SANITARY & VENT ISO**  
P1 SCALE: N.T.S. 13-DFU

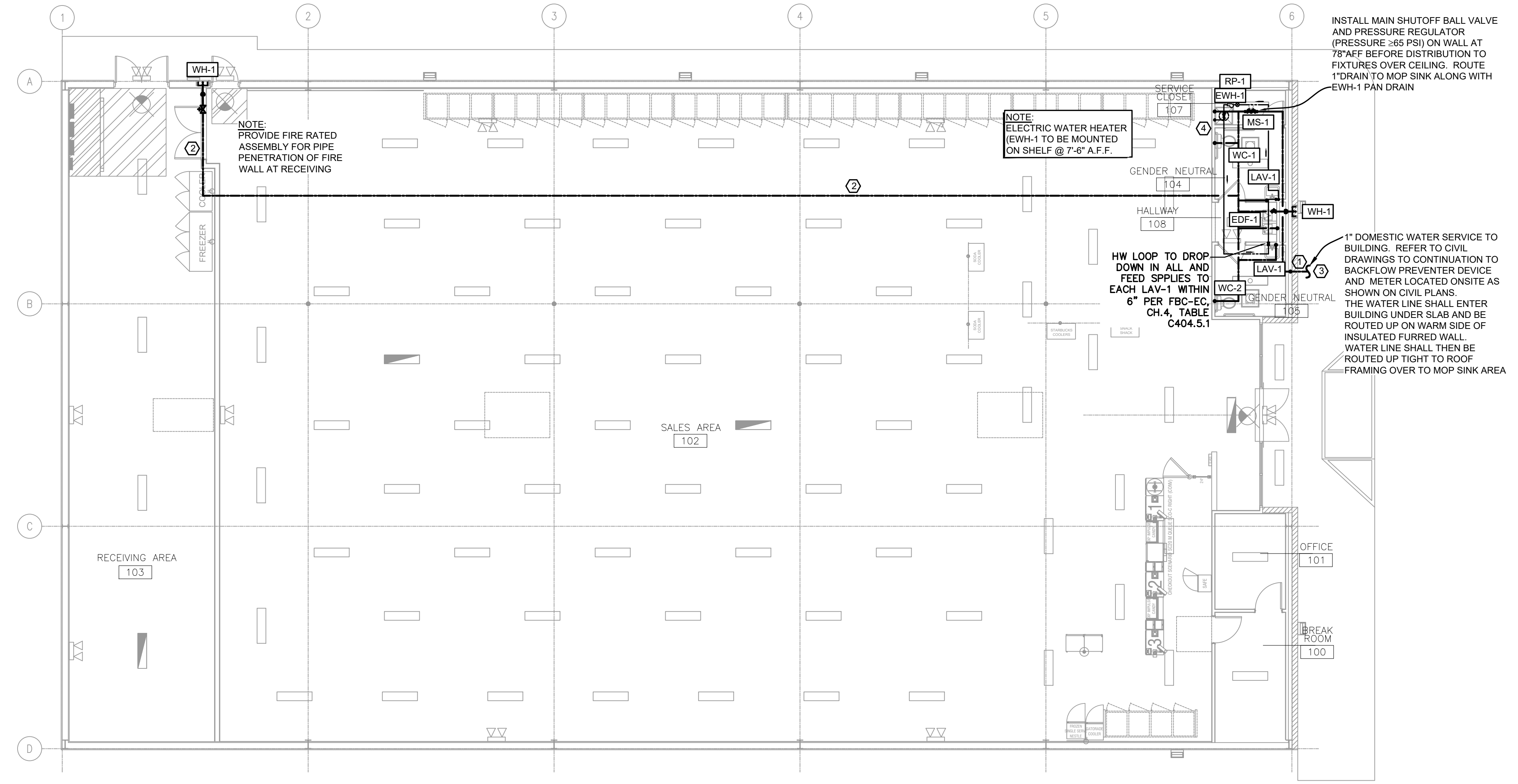


THESE DRAWINGS HAVE BEEN PREPARED, IN PART, BASED UPON INFORMATION FURNISHED BY OTHERS. THE DESIGNER ASSUMES NO RESPONSIBILITY FOR THE ACCURACY OF THESE DRAWINGS FOR ANY ERRORS OR OMISSIONS THAT MAY HAVE BEEN INCORPORATED INTO IT AS A RESULT OF INCORRECT INFORMATION. THE DESIGNER IS NOT RESPONSIBLE FOR THE ACCURACY OF ANY INFORMATION OBTAINED FROM ANY SOURCE OTHER THAN HIS OWN. ALL WORK SHALL COMPLY WITH ANY AND ALL APPLICABLE CODES AND ORDINANCES. SUPERINTENDENTS ARE RESPONSIBLE FOR THE PROPER INSTALLATION OF ALL INFORMATION, DESIGN AND BUILDING TECHNIQUES HELD WITHIN THESE DRAWINGS. THIS IS THE EXCLUSIVE PROPERTY OF THE PARTIES NOTED ON THIS TITLE-BLOCK.

# TERAMORE DEVELOPMENT

**DOLLAR GENERAL**  
4924 NW US HWY 41  
LAKE CITY, FL 32055  
STORE # 180  
2019 PROTOTYPE - PLAN 'DGP-B' - 10,640 SQ. FT.

DRAWING DATE / DRAWN BY:  
9/4/24 - JL  
REVISION DATE / REVISED BY:  
PROJECT NUMBER:  
4000.257  
DRAWING TITLE:  
WATER PLAN  
SHEET NO.  
**P2**



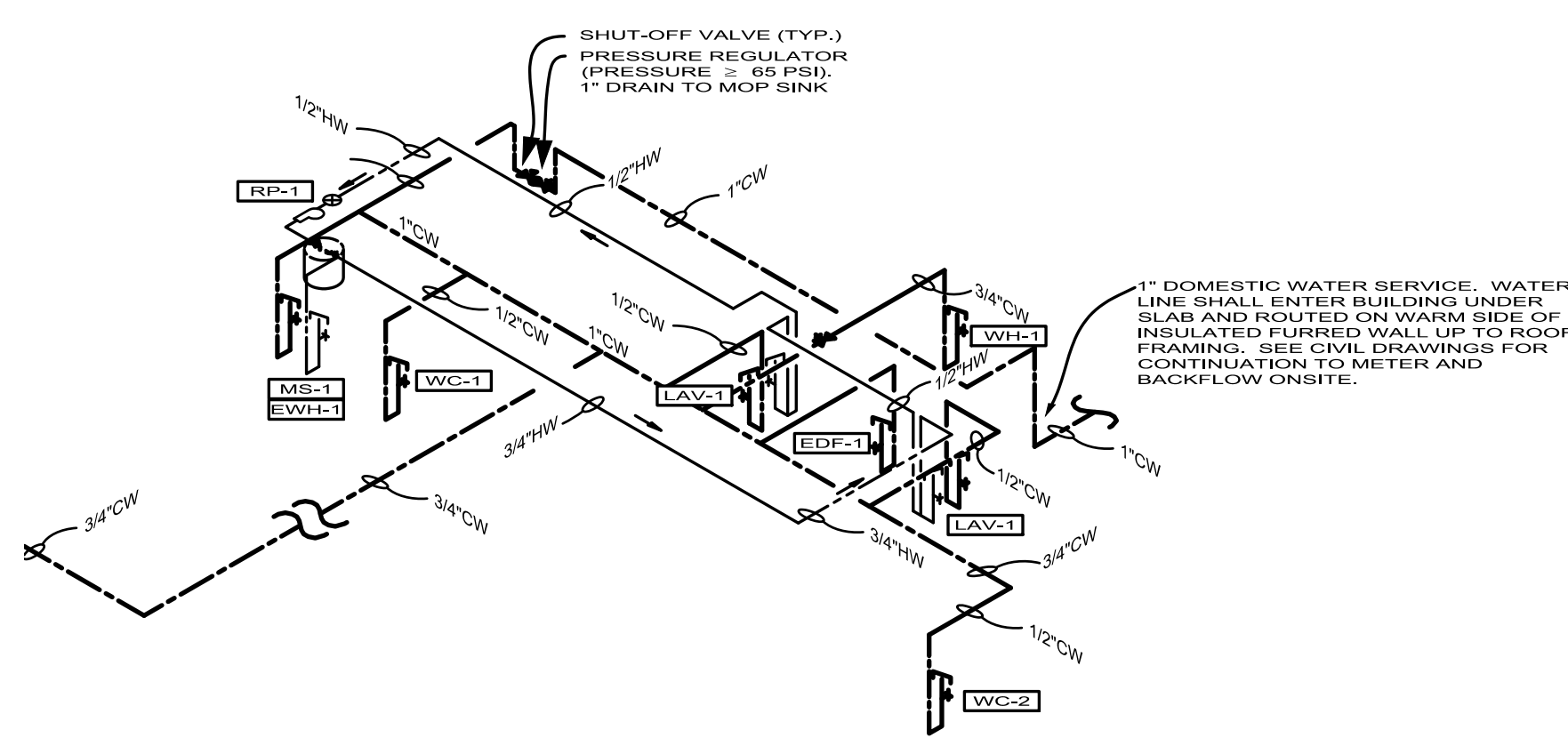
INSTALL MAIN SHUTOFF BALL VALVE AND PRESSURE REGULATOR (PRESSURE ≥65 PSI) ON WALL AT 78" AFF BEFORE DISTRIBUTION TO FIXTURES OVER CEILING. ROUTE 1" DRAIN TO MOP SINK ALONG WITH EWH-1 PAN DRAIN

NOTE: ELECTRIC WATER HEATER (EWH-1) TO BE MOUNTED ON SHELF @ 7'-6" A.F.F.

HW LOOP TO DROP DOWN IN ALL AND FEED SPLINES TO EACH LAV-1 WITHIN 6" PER FBC-EC, CH. 4, TABLE C404.5.1

1" DOMESTIC WATER SERVICE TO BUILDING. REFER TO CIVIL DRAWINGS TO CONTINUATION TO BACKFLOW PREVENTER DEVICE AND METER LOCATED ON SITE AS SHOWN ON CIVIL PLANS. THE WATER LINE SHALL ENTER BUILDING UNDER SLAB AND BE ROUTED UP ON WARM SIDE OF INSULATED FURRED WALL. WATER LINE SHALL THEN BE ROUTED UP TIGHT TO ROOF FRAMING OVER TO MOP SINK AREA

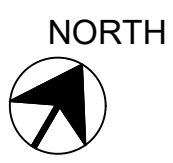
NOTE: PROVIDE FIRE RATED ASSEMBLY FOR PIPE PENETRATION OF FIRE WALL AT RECEIVING



DOMESTIC WATER NOTES:  
1. REFER TO CIVIL DRAWINGS FOR EXACT LOCATION OF CONNECTION POINT TO EXISTING DOMESTIC WATER PIPING.  
2. PRESSURE REGULATOR TO BE ≥ 65 PSI.

**2 DOMESTIC WATER ISO**  
P2 SCALE: N.T.S. 16-WSFU

**1 WATER PLAN**  
P2 SCALE: 1/8" = 1'-0"



**PLUMBING KEYED NOTES:**

- ① 1" CW UP IN WALL WITH VALVE AND LOCKABLE ACCESS PANEL.
- ② PLUMBING CONTRACTOR TO RUN WATER LINE IN RECEIVING AND SALES AREA AS HIGH AS POSSIBLE OVERHEAD.
- ③ CONTRACTOR TO COORDINATE WATER METER SIZED WITH LOCAL WATER COMPANY AND CIVIL.
- ④ WATER HEATER MOUNTED ABOVE MOP SINK. ROUTE DRAIN PAN DRAIN AND T&P RELIEF VALVE DRAIN FROM WATER HEATER DOWN WALL TO MOP SINK BASIN AND SPILL INTO.

**NOTES:**

- 1. CONTRACTOR RESPONSIBLE FOR ALL PUBLIC UTILITY CONNECTIONS (WATER, ELECTRIC, SEWER) AS WELL AS INFRASTRUCTURE REQUIRED BY UTILITY COMPANY.
- 2. PROVIDE SHUT OFF VALVES AT WALL HYDRANTS AND AT WATER HEATER.
- 3. PROVIDE P.T. WOOD BLOCKING & STRAPS IN WALLS AS REQUIRED.