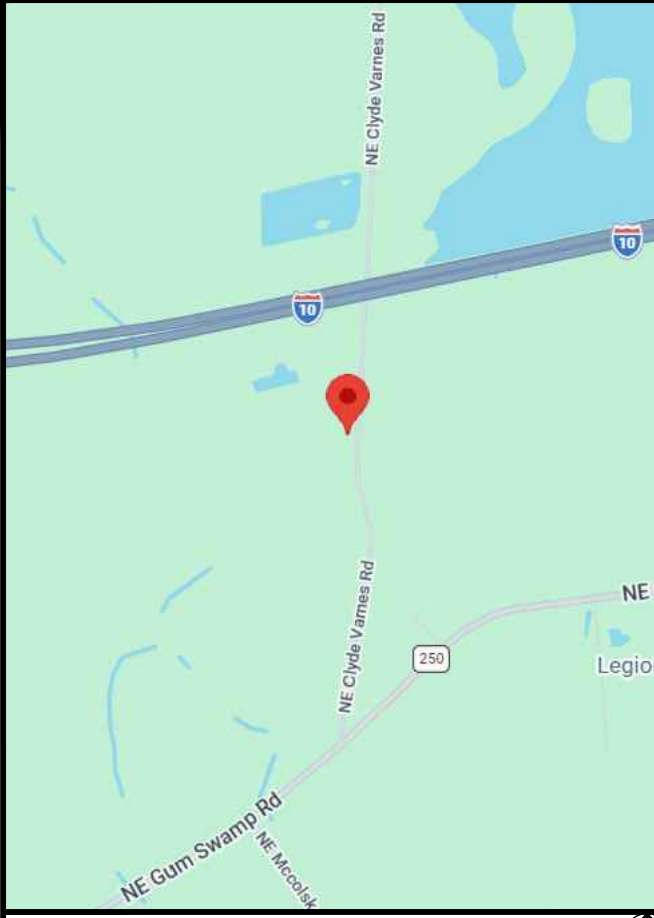


VERIZON SITE NAME: OTTER BAY
PROJECT DESCRIPTION: TELECOMMUNICATIONS COLOCATION
TOWER TYPE: 305'-0"± SELF-SUPPORT
SITE ADDRESS: 612 NORTH EAST CLYDE VARNES, LAKE CITY, FL 32055
JURISDICTION: COLUMBIA COUNTY
AREA OF CONSTRUCTION: 375± SQ. FT. (LEASE AREA)
PRESENT OCCUPANCY TYPE: GROUP U (UTILITY & MISCELLANEOUS)
CURRENT ZONING: A-2 (AGRICULTURE)
PARCEL #: 12-3S-17-04927-000

PROJECT INFORMATION

LATITUDE: N 30° 14' 26.04" (NAD 83) *
LONGITUDE: W 82° 34' 15.45" (NAD 83) *
GROUND ELEVATION: 148'± (SE) *
 *INFORMATION PROVIDED BY FAA AERONAUTICAL STUDY 2020-ASO-30412-OE.

SITE COORDINATES



LOCATION MAP



4700 EXCHANGE COURT, SUITE 100
BOCA RATON, FL 33431
(561) 995-5539

VZW SITE #: 5000991277
VZW SITE NAME: OTTER BAY

612 NORTH EAST CLYDE VARNES
LAKE CITY, FL 32055

LESSEE:
NAME: VERIZON WIRELESS
ADDRESS: 4700 EXCHANGE COURT, SUITE 100
CITY, STATE, ZIP: BOCA RATON, FL 33431
CONTACT: HEATHER PETRO
PHONE: (561) 995-5539
TOWER OWNER:
NAME: CITYSWITCH II-A
ADDRESS: 1900 CENTURY PLACE NE, SUITE 320
CITY, STATE, ZIP: ATLANTA, GA 30345
CONTACT: CUSTOMER SERVICE
PHONE: (404) 857-0858
SURVEYOR:
NAME: N/A
ADDRESS: N/A
CITY, STATE, ZIP: N/A
CONTACT: N/A
PHONE: N/A
CIVIL ENGINEER:
NAME: TEP OpCo, LLC
ADDRESS: 326 TRYON ROAD
CITY, STATE, ZIP: RALEIGH, NC 27603-3530
CONTACT: MARC W. HUNT II, P.E.
PHONE: (919) 661-6351
ELECTRICAL ENGINEER:
NAME: TEP OpCo, LLC
ADDRESS: 326 TRYON ROAD
CITY, STATE, ZIP: RALEIGH, NC 27603-3530
CONTACT: MARC W. HUNT II, P.E.
PHONE: (919) 661-6351
PROPERTY OWNER:
NAME: CLYDE VARNES
ADDRESS: 535 NE CLYDE VARNES ROAD
CITY, STATE, ZIP: LAKE CITY, FL 32055
CONTACT: CLYDE VARNES
PHONE: UNKNOWN

CONTACT INFORMATION

ALL WORK AND MATERIALS SHALL BE PERFORMED AND INSTALLED IN ACCORDANCE WITH THE CURRENT EDITIONS OF THE FOLLOWING CODES AS ADOPTED BY THE LOCAL GOVERNING AUTHORITIES. NOTHING IN THESE PLANS IS TO BE CONSTRUED TO PERMIT WORK NOT CONFORMING TO THE LATEST EDITIONS OF THE FOLLOWING:
 1. 2023 FLORIDA BUILDING CODE, 8TH EDITION
 2. LOCAL BUILDING CODE
 3. ANS/I/TIA-222-H-2-2017
 4. 2020 NATIONAL ELECTRIC CODE
 5. CITY/COUNTY ORDINANCES

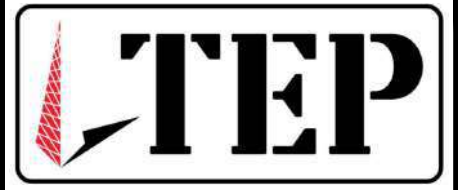
CODE COMPLIANCE

UTILITIES:
POWER COMPANY: FP&L
CONTACT: CUSTOMER SERVICE
PHONE: (888) 988-8249
METER # NEAR SITE: 520 583 087
TELEPHONE COMPANY: UNKNOWN
CONTACT: UNKNOWN
PHONE: UNKNOWN
PHONE # NEAR SITE: (800) 275-8777
PEDESTAL # NEAR SITE: UNKNOWN

SHEET	DESCRIPTION	REV
T-1	TITLE SHEET	1
N-1	GENERAL NOTES	1
N-2	GENERAL NOTES	1
C-1	SITE PLAN	1
C-2	COMPOUND DETAIL	1
C-3	TOWER ELEVATION	1
C-3A	ANTENNA & COAX SCHEDULE	1
C-3B	PROPOSED ANTENNA LAYOUT	1
C-4	EQUIPMENT LAYOUT	1
C-5	FOUNDATION NOTES & DETAILS	1
C-6	GENERATOR & EQUIPMENT CABINET DETAILS	1
C-7	ICE BRIDGE & WAVEGUIDE DETAILS	1
E-1	ELECTRICAL NOTES	1
E-2	POWER PANEL SCHEDULE	1
E-3	ONE-LINE DIAGRAM	1
E-4	POWER & TELCO ROUTING PLAN	1
E-4A	POWER & TELCO ROUTING DETAILS	1
E-5	FIBER ROUTING PLAN	1
E-6	VERIZON H-FRAME DETAILS	1
E-7	GROUNDING NOTES & FENCE GROUNDING DETAILS	1
E-8	GROUNDING PLAN	1
E-9	ICE BRIDGE & TOWER GROUNDING DETAIL	1
E-10	GROUNDING DETAILS I	1
E-11	GROUNDING DETAILS II	1

INDEX OF SHEETS

PLANS PREPARED BY:



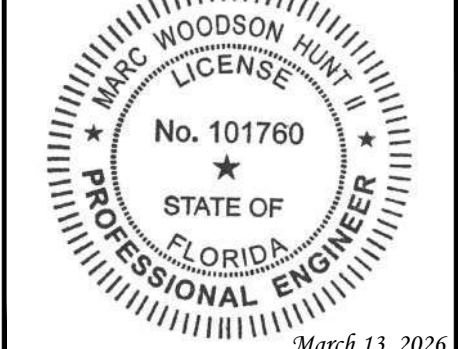
TEP OpCo, LLC
 326 TRYON ROAD
 RALEIGH, NC 27603-3530
 OFFICE: (919) 661-6351
 www.tepgroup.net
 FL COA # 31011

REV	DATE	ISSUED FOR:
I	03-13-26	CONSTRUCTION
O	02-25-26	PRELIMINARY

DRAWN BY: TAF CHECKED BY: JHJ

DIGITAL SEAL:
 THIS ITEM HAS BEEN DIGITALLY SIGNED AND SEALED BY MARC W. HUNT II ON THE DATE ADJACENT TO THE SEAL. SIGNATURE MUST BE VERIFIED ON ANY ELECTRONIC COPIES.

SEAL:
 TEP OpCo, LLC FL COA # 31011



SHEET NUMBER: T-1 **REVISION:** 1
 TEP#: 352831.1 | 196904

TEP IS A FAMILY OF COMPANIES LICENSED TO PROVIDE DIFFERENT SERVICES IN DIFFERENT JURISDICTIONS. DEPENDING ON THE JURISDICTION, PROFESSIONAL ENGINEERING AND LAND SURVEYING SERVICES ARE PROVIDED BY TEP OP CO LLC, A DELAWARE LIMITED LIABILITY COMPANY. WE ACQUIRE THE REQUIRED LICENSES IN EACH STATE. ADDITIONAL INFORMATION CAN BE OBTAINED FROM THE COMPANY. LIABILITY COMPANY, OR M&H ENGINEERING, P.L.L.C. A NEW YORK PROFESSIONAL LIMITED LIABILITY COMPANY. GENERAL CONTRACTOR SERVICES ARE PROVIDED BY TEPB OP CO LLC, A DELAWARE LIMITED LIABILITY COMPANY. WE ACQUIRE THE REQUIRED LICENSES IN EACH STATE. ADDITIONAL INFORMATION CAN BE OBTAINED FROM THE COMPANY.

GENERAL NOTES:


- ALL REFERENCES MADE TO LESSEE IN THESE DOCUMENTS SHALL BE CONSIDERED VERIZON WIRELESS OR ITS DESIGNATED REPRESENTATIVE.
- ALL WORK PRESENTED ON THESE DRAWINGS MUST BE COMPLETED BY THE CONTRACTOR UNLESS NOTED OTHERWISE. THE CONTRACTOR MUST HAVE CONSIDERABLE EXPERIENCE IN PERFORMANCE OF WORK SIMILAR TO THAT DESCRIBED HEREIN. BY ACCEPTANCE OF THIS ASSIGNMENT, THE CONTRACTOR IS ATTESTING TO HAVE SUFFICIENT EXPERIENCE AND ABILITY, IS KNOWLEDGEABLE OF THE WORK TO BE PERFORMED AND IS PROPERLY LICENSED AND PROPERLY REGISTERED TO DO THIS WORK IN THE STATE OF FLORIDA.
- WORK SHALL BE COMPLETED IN ACCORDANCE WITH ANSI/TIA 222-H-2-2017 STRUCTURAL STANDARDS FOR STEEL ANTENNA TOWERS AND ANTENNA SUPPORTING STRUCTURES, ASCE 7-22 MINIMUM DESIGN LOADS FOR BUILDINGS AND OTHER STRUCTURES AND THE 2023 FLORIDA BUILDING CODE, 8TH EDITION.
- UNLESS SHOWN OR NOTED OTHERWISE ON THE CONTRACT DRAWINGS, OR IN THE SPECIFICATIONS, THE FOLLOWING NOTES SHALL APPLY TO THE MATERIALS LISTED HEREIN, AND TO THE PROCEDURES TO BE USED ON THIS PROJECT.
- ALL HARDWARE ASSEMBLY MANUFACTURER'S INSTRUCTIONS SHALL BE FOLLOWED EXACTLY AND SHALL SUPERSEDE ANY CONFLICTING NOTES ENCLOSED HEREIN.
- IT IS THE CONTRACTOR'S SOLE RESPONSIBILITY TO DETERMINE ERECTION PROCEDURE AND SEQUENCE TO INSURE THE SAFETY OF THE STRUCTURE AND ITS COMPONENT PARTS DURING ERECTION AND/OR FIELD MODIFICATIONS. THIS INCLUDES, BUT IS NOT LIMITED TO, THE ADDITION OF TEMPORARY BRACING, GUYS OR TIE DOWNS THAT MAY BE NECESSARY. SUCH MATERIAL SHALL BE REMOVED AND SHALL REMAIN THE PROPERTY OF THE CONTRACTOR AFTER THE COMPLETION OF THE PROJECT.
- THE LESSEE SHALL HAVE A SET OF APPROVED PLANS AVAILABLE AT THE SITE AT ALL TIMES WHILE WORK IS BEING PERFORMED. THE CONTRACTOR SHALL VISIT THE SITE AND BECOME FAMILIAR WITH ALL CONDITIONS PRIOR TO SUBMITTING THE PROPOSAL. ALL DIMENSIONS, ELEVATIONS, AND EXISTING CONDITIONS SHOWN ON THE DRAWINGS (LATEST REVISION) SHALL BE FIELD VERIFIED BY THE CONTRACTOR PRIOR TO BEGINNING ANY MATERIALS ORDERING, FABRICATION OR CONSTRUCTION WORK ON THIS PROJECT. CONTRACTOR SHALL NOT SCALE CONTRACT DRAWINGS IN LIEU OF FIELD VERIFICATION. ANY DISCREPANCIES SHALL BE IMMEDIATELY BROUGHT TO THE ATTENTION OF THE LESSEE AND THE LESSEE'S ENGINEER. THE DISCREPANCIES MUST BE RESOLVED BEFORE THE CONTRACTOR IS TO PROCEED WITH THE WORK. THE CONTRACT DOCUMENTS DO NOT INDICATE THE METHOD OF CONSTRUCTION. THE CONTRACTOR SHALL SUPERVISE AND DIRECT THE WORK AND SHALL BE SOLELY RESPONSIBLE FOR ALL CONSTRUCTION MEANS, METHODS, TECHNIQUES, SEQUENCES, AND PROCEDURES. OBSERVATION VISITS TO THE SITE BY THE LESSEE AND/OR THE ENGINEER SHALL NOT INCLUDE INSPECTION OF THE PROTECTIVE MEASURES OR THE PROCEDURES. A DESIGNATED RESPONSIBLE EMPLOYEE SHALL BE AVAILABLE FOR CONTACT BY GOVERNING AGENCY INSPECTORS.
- ALL MATERIALS AND EQUIPMENT FURNISHED SHALL BE NEW AND OF GOOD QUALITY, FREE FROM FAULTS AND DEFECTS AND IN CONFORMANCE WITH THE CONTRACT DOCUMENTS. ANY AND ALL SUBSTITUTIONS MUST BE PROPERLY APPROVED AND AUTHORIZED IN WRITING BY THE LESSEE AND ENGINEER PRIOR TO INSTALLATION. THE CONTRACTOR SHALL FURNISH SATISFACTORY EVIDENCE AS TO THE KIND AND QUALITY OF THE MATERIALS AND EQUIPMENT BEING SUBSTITUTED.
- THESE DOCUMENTS DO NOT INCLUDE THE NECESSARY COMPONENTS FOR CONSTRUCTION SAFETY. SAFETY, CARE OF ADJACENT PROPERTIES, AND COMPLIANCE WITH LOCAL, PROVINCIAL AND FEDERAL REGULATIONS REGARDING SAFETY, SHALL BE THE CONTRACTOR'S RESPONSIBILITY, AND THIS, PER THE INTERNATIONAL CODE - REGULATORS RESPECTING OCCUPATIONAL SAFETY & HEALTH THE SUCCESSFUL CONTRACTOR WILL SUBMIT HIS SAFETY MANUAL AT THE PROJECT SITE. THE CONTRACTOR SHALL BE RESPONSIBLE FOR INITIATING, MAINTAINING, AND SUPERVISING ALL SAFETY PRECAUTIONS AND PROGRAMS IN CONNECTION WITH THE WORK.
- ACCESS TO THE PROPOSED WORK SITE MAY BE RESTRICTED. THE CONTRACTOR SHALL COORDINATE INTENDED CONSTRUCTION ACTIVITY, INCLUDING WORK SCHEDULE AND MATERIALS ACCESS, WITH THE LESSEE'S PROJECT MANAGER.
- BILL OF MATERIALS AND PART NUMBERS LISTED ON CONSTRUCTION DRAWINGS ARE INTENDED TO AID CONTRACTOR/LESSEE. CONTRACTOR/LESSEE SHALL VERIFY PARTS AND QUANTITIES WITH MANUFACTURER PRIOR TO BIDDING AND/OR ORDERING MATERIALS.
- THE CONTRACTOR SHALL REWORK (DRY, SCARIFY, ETC.) ALL MATERIAL NOT SUITABLE FOR SUBGRADE IN ITS PRESENT STATE. AFTER REWORKING, IF THE MATERIAL REMAINS UNSUITABLE, THE CONTRACTOR SHALL UNDERCUT THIS MATERIAL AND REPLACE WITH APPROVED MATERIAL. ALL SUBGRADES SHALL BE PROOF-ROLLED WITH A FULLY LOADED TANDEM AXLE DUMP TRUCK PRIOR TO PAVING. ANY SOFT MATERIAL SHALL BE REWORKED OR REPLACED.
- THE CONTRACTOR IS REQUIRED TO MAINTAIN ALL PIPES, DITCHES, AND OTHER DRAINAGE STRUCTURES FREE FROM OBSTRUCTION UNTIL WORK IS ACCEPTED BY THE LESSEE. THE CONTRACTOR IS RESPONSIBLE FOR ANY DAMAGES CAUSED BY FAILURE TO MAINTAIN DRAINAGE STRUCTURE IN OPERABLE CONDITION.
- ALL MATERIALS AND WORKMANSHIP SHALL BE WARRANTED FOR ONE YEAR FROM ACCEPTANCE DATE.
- ANY BUILDINGS ON THIS SITE ARE INTENDED TO SHELTER EQUIPMENT WHICH WILL ONLY BE PERIODICALLY MAINTAINED, AND ARE NOT INTENDED FOR HUMAN OCCUPANCY.
- TEMPORARY FACILITIES FOR PROTECTION OF TOOLS AND EQUIPMENT SHALL CONFORM TO LOCAL REGULATIONS AND SHALL BE THE CONTRACTOR'S RESPONSIBILITY.
- RENTAL CHARGES, SAFETY, PROTECTION AND MAINTENANCE OF RENTED EQUIPMENT SHALL BE THE CONTRACTOR'S RESPONSIBILITY.
- THE CONTRACTOR AND ITS SUBCONTRACTORS SHALL CARRY LIABILITY INSURANCE IN THE AMOUNTS AND FORM IN ACCORDANCE WITH SPECIFICATIONS. CERTIFICATES DEMONSTRATING PROOF OF COVERAGE SHALL BE PROVIDED TO PRIOR TO THE START OF THE WORK ON THE PROJECT.

- THE CONTRACTOR SHALL CONTACT ALL APPLICABLE UTILITY SERVICES TO VERIFY LOCATIONS OF EXISTING UTILITIES AND REQUIREMENTS FOR NEW UTILITY CONNECTIONS PRIOR TO EXCAVATING. CONTRACTOR WILL BE RESPONSIBLE TO ASSIST IN COORDINATING AND OBTAINING PRIMARY POWER TO THE SITE PRIOR TO TOWER ERECTION BEFORE PROJECT COMPLETION. (ON SITE VISITS WITH UTILITY COMPANY REPRESENTATIVES AS NECESSARY, ETC...)
- THE CONTRACTOR SHALL GUARANTEE THE WORK PERFORMED ON THE PROJECT BY THE CONTRACTOR AND ANY OR ALL OF THE SUBCONTRACTORS WHO PERFORMED WORK FOR THE CONTRACTOR ON THIS PROJECT. THE GUARANTEE SHALL BE FOR A FULL YEAR FOLLOWING ISSUANCE OF THE FINAL PAYMENT OF HOLDBACK.
- AWARDED CONTRACTOR WILL BE REQUIRED TO SIGN AND RETURN A COPY OF AN AWARD LETTER FOR THE LESSEE'S FILE.
- CONTRACTOR WILL BE REQUIRED TO PROVIDE PROOF OF LICENSE TO PERFORM WORK IN JURISDICTION AT TIME OF BID AWARD.
- CONTRACTOR WILL PROVIDE A CONSTRUCTION SCHEDULE PRIOR TO CONSTRUCTION STARTING AND WILL PROVIDE UPDATE/CHANGES (WITH EXPLANATIONS) TO THAT SCHEDULE WHEN/IF ITEMS ARE DELAYED OR PUSHED OUT.
- CONTRACTOR WILL BE RESPONSIBLE TO PROVIDE PROJECT MANAGERS WITH PHOTOS OF THE MAJOR CONSTRUCTION MILESTONES AS THEY OCCUR.
- CONTRACTOR SHOULD BE PREPARED FOR RANDOM SAFETY INSPECTIONS AT ALL TIMES.
- CONTRACTOR IS EXPECTED TO MAINTAIN PROPER WORKING CONDITIONS AND PROCEDURES PER LOCAL AND FEDERAL STANDARDS AT ALL TIMES.
- CONTRACTOR WILL BE REQUIRED TO OBTAIN THE NECESSARY ELECTRICAL PERMITS AND INSPECTION AS REQUIRED BY JURISDICTION.
- CONTRACTOR IS RESPONSIBLE FOR CONCRETE COMPRESSION TESTING.
- CONTRACTOR IS RESPONSIBLE FOR GROUND MEG TESTING AND PROVIDING PROOF OF RESULT.
- WHEN REQUESTED, PROVIDE 3 COPIES OF FABRICATION AND ERECTION DRAWINGS PRIOR TO FABRICATION. ALLOW UP TO 1 WEEK FOR REVIEW BY CONSULTANT.
- IN ADDITION TO CONTRACTOR'S QUALITY CONTROL PROGRAM, INDEPENDENT TESTING AND INSPECTION MAY BE PERFORMED BY LESSEE OR LESSEE'S REPRESENTATIVE.
- SUBMIT RED-LINES COPY OF CONSTRUCTION DRAWINGS UPON COMPLETION OF CONSTRUCTION HIGHLIGHTING CHANGES IN THE STAMPED AND SIGNED AS-BUILT CONDITION FROM SHOWN ON THE DRAWINGS.
- CONTRACTOR WILL BE RESPONSIBLE FOR ALL GRADING AND FILL COMPACTION TESTING REQUIRED AS SET FORTH IN THE GEO TECHNOLOGICAL REPORT PROVIDED BY LESSEE.

CONCRETE:

- ALL CONCRETE AND CONCRETE MATERIALS SHALL CONFORM TO THE REQUIREMENTS OF THE 2023 FLORIDA BUILDING CODE, 8TH EDITION.
- THE CONTRACTOR SHALL TAKE SAMPLES OF THE CONCRETE POURED UNDER THE CONDITIONS OUTLINED IN THE THE 2023 FLORIDA BUILDING CODE, 8TH EDITION.
- ANY FAILURE OF A CONCRETE TEST CYLINDER TO MEET THE SPECIFIED STRENGTH REQUIREMENTS MUST BE REPORTED TO THE DESIGN ENGINEER IMMEDIATELY. CORRECTIVE ACTION MUST BE APPROVED BY THE ENGINEER AND ALL RELATED COSTS SHALL BE AT THE CONTRACTOR'S EXPENSE.
- THE MINIMUM 28-DAY COMPRESSIVE STRENGTH OF THE CONCRETE SHALL BE A MINIMUM OF 4,000 PSI (21 MPA), EXCEPT AS NOTED OR DIRECTED IN THE SOIL REPORT. THE CONCRETE, WHEN POURED, SHALL CONTAIN 7% AIR ENTRAINMENT WITH AN ALLOWABLE VARIATION OF +2%.
- CONTRACTOR MUST TAKE SLUMP TEST AT LEAST ONCE FROM EACH TRANSIT MIXER AFTER A MINIMUM OF 5% CONCRETE LOAD HAD BEEN DISCHARGED. SLUMP, UNLESS NOTED OTHERWISE ON THE DRAWINGS, SHALL BE 75 MM (2.95 INCHES).
- MIXED CONCRETE ON SITE (REMOTE AREAS) WITH THE CORRECT PROPORTION OF CEMENT, SAND, GRAVEL, AND AIR-ENTRAINING AGENT ALREADY ADDED, THE DRY PREMIX IS TO BE MIXED IN A CONCRETE BATCHER IN STRICT ACCORDANCE WITH THE MANUFACTURER'S INSTRUCTIONS.
- BEFORE POURING CONCRETE, THE TRANSPORTING EQUIPMENT AND FORMS SHALL BE CLEANED AND ALL DEBRIS AND ICE SHALL BE REMOVED FROM PLACES TO BE OCCUPIED BY THE CONCRETE. ANY WATER THAT HAS ACCUMALATED IN THE FORMS SHALL BE REMOVED.
- ALL CONCRETE SHALL BE VIBRATED AND WORKED AROUND THE REINFORCEMENTS, EMBEDDED FIXTURES AND INTO THE CORNERS OF THE FORMS. ANY EXCESS WATER THAT ACCUMALATES WHILE THE CONCRETE IS BEING POURED SHALL BE REMOVED.

PLANS PREPARED FOR:



4700 EXCHANGE COURT, SUITE 100
BOCA RATON, FL 33431
(561) 995-5539

PROJECT INFORMATION:

VZW SITE #: 5000991277
VZW SITE NAME:
OTTER BAY

612 NORTH EAST CLYDE VARNES
LAKE CITY, FL 32055
(COLUMBIA COUNTY)

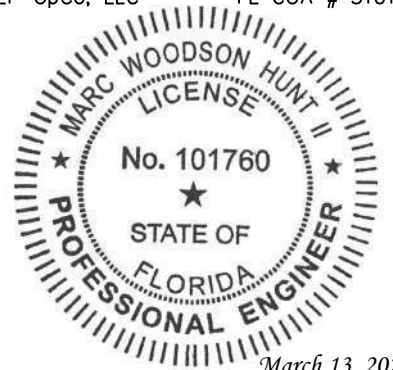
PLANS PREPARED BY:



TEP OpCo, LLC
326 TRYON ROAD
RALEIGH, NC 27603-3530
OFFICE: (919) 661-6351
www.tepgroup.net
FL COA # 31011

DIGITAL SEAL:
THIS ITEM HAS BEEN DIGITALLY SIGNED AND SEALED BY MARC W. HUNT II ON THE DATE ADJACENT TO THE SEAL. SIGNATURE MUST BE VERIFIED ON ANY ELECTRONIC COPIES.

SEAL:
TEP OpCo, LLC FL COA # 31011



March 13, 2026

I	03-13-26	CONSTRUCTION
O	02-25-26	PRELIMINARY
REV	DATE	ISSUED FOR:

DRAWN BY: TAF CHECKED BY: JHJ

SHEET TITLE:

GENERAL NOTES

SHEET NUMBER:	REVISION:
N-1	1
TEP#: 352831.1196904	

TEP IS A FAMILY OF COMPANIES LICENSED TO PROVIDE DIFFERENT SERVICES IN DIFFERENT JURISDICTIONS. DEPENDING ON THE JURISDICTION, PROFESSIONAL ENGINEERING AND LAND SURVEYING SERVICES ARE PROVIDED BY TEP OP CO LLC, A DELAWARE LIMITED LIABILITY COMPANY. WE ACQUIRE THE REQUIRED LICENSES IN EACH STATE. ADDITIONAL INFORMATION CAN BE OBTAINED FROM THE COMPANY. LIABILITY COMPANY, OR M&H ENGINEERING, PLLC, A NEW YORK PROFESSIONAL LIMITED LIABILITY COMPANY.

CONCRETE (CONTINUED):

9. THE DESIGN ENGINEER SHALL RECEIVE A MINIMUM OF 24 HOURS NOTICE OF EVERY POUR.
10. THE CONCRETE IN FOUNDATIONS MUST BE POURED IN CONTINUOUS POURS BETWEEN CONSTRUCTION JOINTS. NO CONSTRUCTION JOINTS OTHER THAN THOSE SHOWN ON SITE SPECIFIC DRAWINGS WILL BE PERMITTED. THE CONTRACTOR SHALL PROVIDE EFFICIENT EQUIPMENT TO COMPLETE THE POURING OF EACH SECTION IN ONE CONTINUOUS POUR.
11. ALL FRAMEWORK SHALL BE BUILT IN ACCORDANCE WITH THE INTERNATIONAL BUILDING CODE SHALL BE THOROUGHLY BRACED AND PLUMBED SO THAT THE FINISHED CONCRETE WILL CONFORM TO THE SHAPES, LINES, GRADES, AND DIMENSIONS INDICATED ON THE SITE DRAWINGS.
12. FORMS AND SHORING SHALL NOT BE REMOVED UNTIL THE CONCRETE IS ADEQUATELY SET. THEIR REMOVAL SHALL BE DONE IN SUCH A MANNER AS TO ENSURE THE COMPLETE SAFETY OF THE STRUCTURE.
13. FORMS WHICH SUPPORT THE WEIGHT OF THE CONCRETE, OR OF SUPERIMPOSED LOADS, SHALL NOT BE REMOVED UNTIL THE CONCRETE IS STRONG ENOUGH TO CARRY ITS OWN WEIGHT, AND SUCH SUPERIMPOSED LOADS AS MAY BE PLACED UPON IT.
14. THE CONCRETE SHALL BE MAINTAINED IN A MOIST CONDITION FOR AT LEAST 5 DAYS AFTER IT HAS BEEN POURED.
15. ALL SURFACES WHICH ARE NOT PROTECTED BY FORMS OR A SEALED WATERPROOF COATING SHALL BE KEPT 15. MOIST BY CONTINUOUS SPRINKLING, OR OTHER MEANS SUCH AS COVERING WITH MOIST SAND, SAWDUST, OR BURLAP.
16. WHERE NECESSARY, THE CONCRETE SHALL BE PROTECTED AGAINST THE WEATHER BY A FRAMED HOUSING, TARPAULINS, OR OTHER SUITABLE COVERING.

REINFORCING STEEL (REBAR):

1. REINFORCING STEEL SHALL MEET CODE AND BE PLACED ACCORDING TO THE APPLICABLE DRAWINGS. THE MINIMUM THICKNESS OF CONCRETE OVER THE STEEL SHALL BE AT LEAST 3".
2. ALL REINFORCEMENTS THAT ARE REQUIRED FOR A DAYS POUR ON CONCRETE SHALL BE SECURELY FIXED IN PLACE IN SUFFICIENT TIME TO PERMIT INSPECTION BEFORE CONCRETING BEGINS.
3. THE DESIGN ENGINEER SHALL BE GIVEN 24 HOURS NOTICE BEFORE THE CONCRETE IS TO BE POURED. FAILURE TO COMPLY MAY NECESSITATE, BUT NOT BE LIMITED TO, THE REMOVAL OF THE POURED CONCRETE AT THE CONTRACTOR'S EXPENSE.

GROUTING:

1. WHERE GROUT IS INDICATED ON THE DRAWINGS UNDER STRUCTURAL BASE PLATES, THIS SHALL BE A NON-SHRINK, NON-FERROUS TYPE. METHODS OF MIXING AND PLACING MUST BE IN STRICT ACCORDANCE WITH THE MANUFACTURER'S RECOMMENDATIONS.

COLD WEATHER CONCRETING:

1. THE CONTRACTOR SHALL PROVIDE AND HAVE ON THE SITE READY FOR USE, ADEQUATE EQUIPMENT FOR HEATING CONCRETE MATERIALS AND PROTECTING FRESH CONCRETE DURING FREEZING OR NEAR FREEZING WEATHER CONDITIONS, ACCORDING TO THE FLORIDA UNIFORM STATEWIDE BUILDING CODE.
2. ALL CONCRETE MATERIALS, REBAR, FORMS, FILLERS, AND THE EARTH WITH WHICH THE CONCRETE IS TO COME INTO CONTACT WITH, SHALL BE FREE FROM FROST AND ICE.
3. WHENEVER THE SURROUNDING TEMPERATURE IS BELOW 39°F, ALL CONCRETE POURED IN THE FORMS SHALL HAVE A TEMPERATURE OF 68°F FOR 4 DAYS.
4. THE HOUSING, COVERING, OR OTHER PROTECTION USED FOR THE CURING SHALL REMAIN IN PLACE AND INTACT FOR AT LEAST 24 HOURS AFTER THE ARTIFICIAL HEATING IS DISCONTINUED.
5. SALT, CALCIUM CHLORIDE, OR OTHER CHEMICALS SHALL NOT BE USED IN THE CONCRETE MIX TO PREVENT THE WATER CONTENT FROM FREEZING.

GRADING:

1. THE CONTRACTOR SHALL REWORK (DRY, SCARIFY, ETC...) ALL MATERIAL NOT SUITABLE FOR SUB GRADE IN ITS PRESENT STATE. IF THE MATERIAL, AFTER REWORKING, REMAINS UNSUITABLE THEN THE CONTRACTOR SHALL UNDERCUT THIS MATERIAL AND REPLACE WITH APPROVED MATERIAL AT HIS EXPENSE. ALL SUB GRADES SHALL BE PROOF ROLLED WITH A FULLY LOADED TANDEM AXLE DUMP TRUCK PRIOR TO PAVING. ANY SOFT MATERIAL SHALL BE REWORKED OR REPLACED.
2. THE CONTRACTOR IS REQUIRED TO MAINTAIN ALL DITCHES, PIPES, AND OTHER DRAINAGE STRUCTURES FREE FROM OBSTRUCTION UNTIL WORK IS ACCEPTABLE BY THE LESSEE. THE CONTRACTOR IS RESPONSIBLE FOR ANY DAMAGES CAUSED BY FAILURE TO MAINTAIN DRAINAGE STRUCTURES IN OPERABLE CONDITION.
3. ALL MATERIALS AND WORKMANSHIP SHALL BE WARRANTED FOR ONE (1) YEAR FROM DATE OF ACCEPTANCE.

UTILITIES:

1. CONTRACTOR SHALL CONTACT A SUBSURFACE UTILITY LOCATOR FOR LOCATION OF EXISTING UTILITIES PRIOR TO COMMENCEMENT OF ANY CONSTRUCTION ACTIVITIES. LOCATION OF EXISTING SEWER, WATER LINES, GAS LINES, CONDUITS OR OTHER STRUCTURES ACROSS, UNDERNEATH, OR OTHERWISE ALONG THE LINE OF PROPOSED WORK ARE NOT NECESSARILY SHOWN ON THE PLANS, AND IF SHOWN ARE ONLY APPROXIMATELY CORRECT. CONTRACTOR ASSUMES SOLE RESPONSIBILITY FOR VERIFYING LOCATION AND ELEVATION OF ALL UNDERGROUND UTILITIES (INCLUDING TEST PITS BY HAND IF NECESSARY) IN AREAS OF CONSTRUCTION PRIOR TO STARTING WORK. CONTACT ENGINEER IMMEDIATELY IF LOCATION OF ELEVATION IS DIFFERENT FROM THAT SHOWN ON THE PLANS, OR IF THERE APPEARS TO BE A CONFLICT.
2. CONTRACTOR SHALL COORDINATE ALL UTILITY CONNECTIONS WITH APPROPRIATE UTILITY LESSEES AND CONSTRUCTION MANAGER.
3. DAMAGE BY THE CONTRACTOR TO UTILITIES OR PROPERTY OF OTHERS, INCLUDING EXISTING PAVEMENT AND OTHER SURFACES DISTURBED BY THE CONTRACTOR DURING CONSTRUCTION SHALL BE REPAIRED TO PRE-CONSTRUCTION CONDITIONS BY THE CONTRACTOR AT NO ADDITIONAL COST TO THE LESSEE. FOR GRASSES AREAS, SEED AND MULCH SHALL BE ACCEPTABLE.
4. THE CONTRACTOR SHALL COORDINATE WITH THE LESSEE THE REQUIREMENTS FOR AND LIMITS OF OVERHEAD AND/OR UNDERGROUND ELECTRICAL SERVICE.
5. THE CONTRACTOR SHALL COORDINATE THE LOCATION OF NEW UNDERGROUND TELEPHONE SERVICE WITH THE TELEPHONE UTILITY AND THE LESSEE'S REQUIREMENTS.
6. ALL UNDERGROUND UTILITIES SHALL BE INSTALLED AND TESTED SATISFACTORY PRIOR TO COMMENCING ANY PAVING OPERATIONS WHERE SUCH UTILITIES ARE WITHIN THE LIMITS OF PAVEMENT.

PLANS PREPARED FOR:



4700 EXCHANGE COURT, SUITE 100
BOCA RATON, FL 33431
(561) 995-5539

PROJECT INFORMATION:

VZW SITE #: 5000991277
VZW SITE NAME:
OTTER BAY

612 NORTH EAST CLYDE VARNES
LAKE CITY, FL 32055
(COLUMBIA COUNTY)

PLANS PREPARED BY:



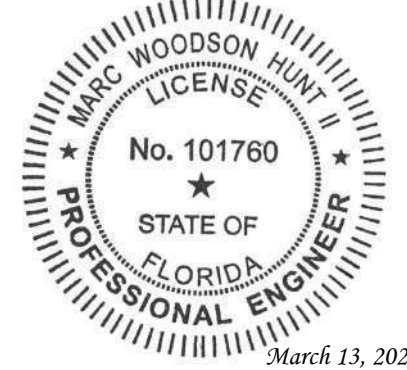
TEP OpCo, LLC
326 TRYON ROAD
RALEIGH, NC 27603-3530
OFFICE: (919) 661-6351
www.tepgroup.net
FL COA # 31011

DIGITAL SEAL:

THIS ITEM HAS BEEN DIGITALLY SIGNED AND SEALED BY MARC W. HUNT II ON THE DATE ADJACENT TO THE SEAL. SIGNATURE MUST BE VERIFIED ON ANY ELECTRONIC COPIES.

SEAL:

TEP OpCo, LLC FL COA # 31011



I	03-13-26	CONSTRUCTION
O	02-25-26	PRELIMINARY
REV	DATE	ISSUED FOR:

DRAWN BY: TAF CHECKED BY: JHJ

SHEET TITLE:

GENERAL NOTES

SHEET NUMBER: N-2	REVISION: 1 TEP#: 352831.1196904
-----------------------------	---

TEP IS A FAMILY OF COMPANIES LICENSED TO PROVIDE DIFFERENT SERVICES IN DIFFERENT JURISDICTIONS. DEPENDING ON THE JURISDICTION, PROFESSIONAL ENGINEERING AND LAND SURVEYING SERVICES ARE PROVIDED BY TEP OP CO LLC, A DELAWARE LIMITED LIABILITY COMPANY. WE ACQUIRE THE REQUISITE LICENSES IN EACH STATE. ADDITIONAL INFORMATION CAN BE OBTAINED FROM THE COMPANY. LIABILITY COMPANY, OR M&H ENGINEERING, PLLC, A NEW YORK PROFESSIONAL LIMITED LIABILITY COMPANY. GENERAL CONTRACTOR SERVICES ARE PROVIDED BY TEP OP CO LLC, A DELAWARE LIMITED LIABILITY COMPANY.

NOTES:

1. SITE PLAN SHOWN BELOW WAS REPRODUCED FROM INFORMATION PROVIDED BY COLUMBIA COUNTY GIS. CONTRACTOR TO VERIFY ALL EXISTING INFORMATION IS AS INDICATED ON SITE PLAN. CONTRACTOR IS TO ESTABLISH THE EXISTENCE AND LOCATION OF ALL EXISTING UNDERGROUND AND OVERHEAD UTILITIES. IMMEDIATELY NOTIFY THE CONSTRUCTION MANAGER OF ANY DISCREPANCIES.
2. EXISTING INFORMATION INDICATED ON THE SITE PLAN SHOWN WAS REPRODUCED FROM MAPS PROVIDED BY COLUMBIA COUNTY GIS. TEP DOES NOT GUARANTEE, OR ENSURE THE PRECISION, ACCURACY OR CORRECTNESS AND ASSUMES NO RESPONSIBILITY OR LIABILITY FOR DAMAGES, LOSS OF REVENUE, OR INJURY THAT MIGHT OCCUR.
3. THE TOWER IS LOCATED IN SHARED ZONE "X" AREAS DETERMINED TO BE OUTSIDE THE 0.2% ANNUAL CHANCE FLOODPLAIN ACCORDING TO FEMA COMMUNITY PANEL# 12023C0305D, EFFECTIVE NOVEMBER 2, 2018.

PLANS PREPARED FOR:



4700 EXCHANGE COURT, SUITE 100
BOCA RATON, FL 33431
(561) 995-5539

PROJECT INFORMATION:

VZW SITE #: 5000991277
VZW SITE NAME:
OTTER BAY

612 NORTH EAST CLYDE VARNES
LAKE CITY, FL 32055
(COLUMBIA COUNTY)

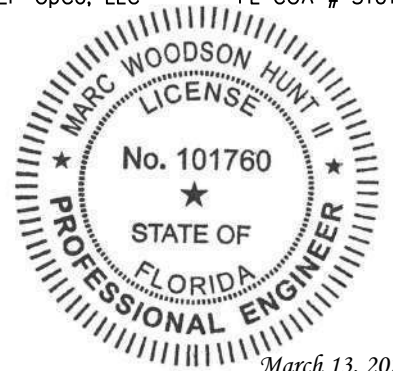
PLANS PREPARED BY:



TEP OpCo, LLC
326 TRYON ROAD
RALEIGH, NC 27603-3530
OFFICE: (919) 661-6351
www.tepgroup.net
FL COA # 31011

DIGITAL SEAL:
THIS ITEM HAS BEEN DIGITALLY SIGNED AND SEALED BY MARC W. HUNT II ON THE DATE ADJACENT TO THE SEAL. SIGNATURE MUST BE VERIFIED ON ANY ELECTRONIC COPIES.

SEAL:
TEP OpCo, LLC FL COA # 31011



I	03-13-26	CONSTRUCTION
O	02-25-26	PRELIMINARY
REV	DATE	ISSUED FOR:

DRAWN BY: TAF CHECKED BY: JHJ

SHEET TITLE:

SITE PLAN

SHEET NUMBER:	REVISION:
C-1	1
TEP#: 352831.1196904	



LEGEND

- EXIST. PROPERTY LINE
- - - - - ADJ. PROPERTY LINE
- PROPERTY CORNER
- LEASE/EASE. CORNER
- - - R/W - - - RIGHT-OF-WAY
- X — CHAIN LINK FENCE

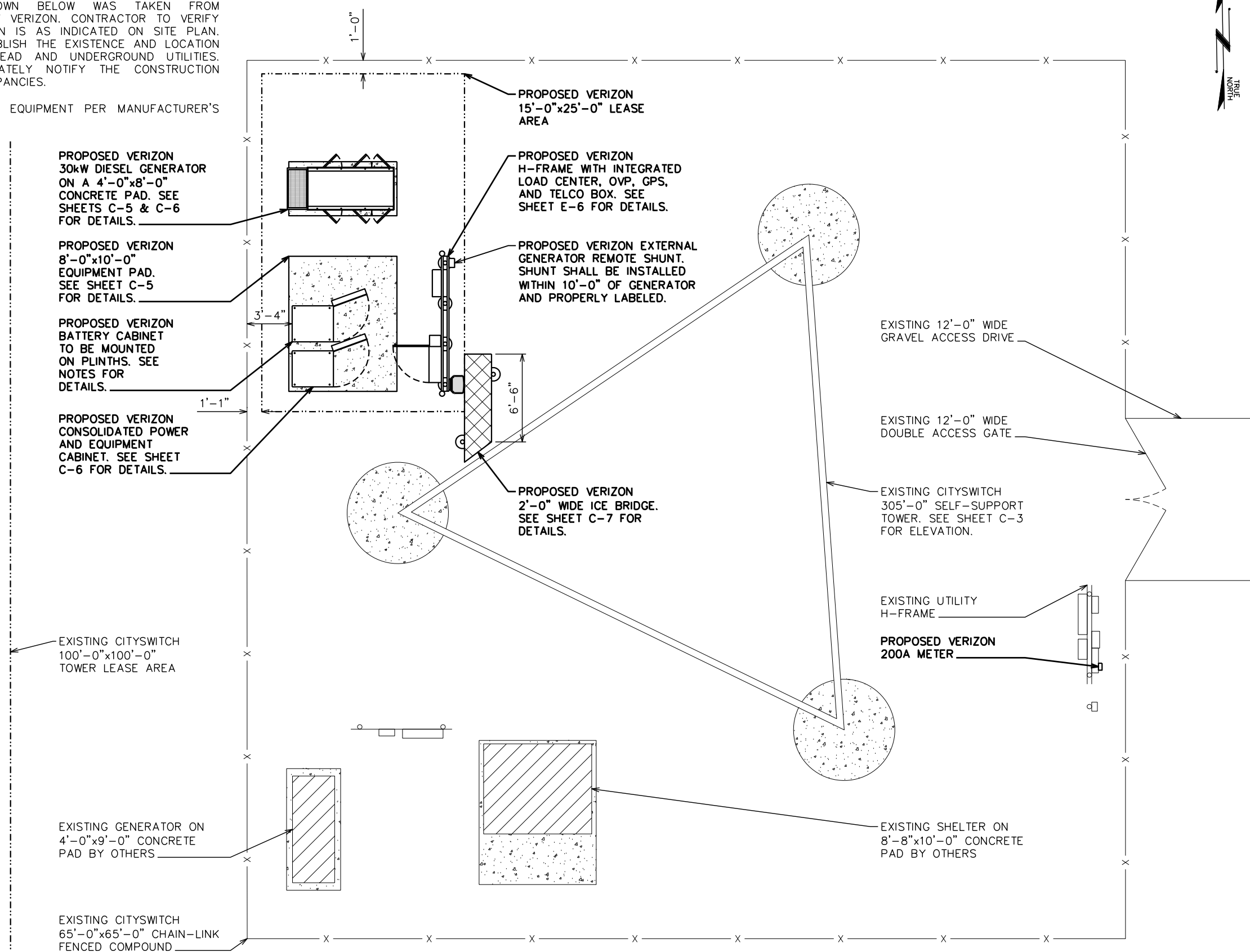
SITE PLAN
SCALE: 1" = 30'



TEP IS A FAMILY OF COMPANIES LICENSED TO PROVIDE DIFFERENT SERVICES IN DIFFERENT JURISDICTIONS. DEPENDING ON THE JURISDICTION, PROFESSIONAL ENGINEERING AND LAND SURVEYING SERVICES ARE PROVIDED BY TEP OP CO LLC, A DELAWARE LIMITED LIABILITY COMPANY. WE ACQUIRE THE REQUIRED LICENSES IN EACH STATE. ADDITIONAL INFORMATION CAN BE OBTAINED FROM THE COMPANY. LIABILITY COMPANY, OR M&H ENGINEERING, PLLC, A NEW YORK PROFESSIONAL LIMITED LIABILITY COMPANY. GENERAL CONTRACTOR SERVICES ARE PROVIDED BY TEP OP CO LLC, A DELAWARE LIMITED LIABILITY COMPANY.

NOTES:

1. COMPOUND DETAIL SHOWN BELOW WAS TAKEN FROM DOCUMENTS PROVIDED BY VERIZON. CONTRACTOR TO VERIFY ALL EXISTING INFORMATION IS AS INDICATED ON SITE PLAN. CONTRACTOR IS TO ESTABLISH THE EXISTENCE AND LOCATION OF ALL EXISTING OVERHEAD AND UNDERGROUND UTILITIES. CONTRACTOR TO IMMEDIATELY NOTIFY THE CONSTRUCTION MANAGER OF ANY DISCREPANCIES.
2. CONTRACTOR TO INSTALL EQUIPMENT PER MANUFACTURER'S SPECIFICATIONS.



PLANS PREPARED FOR:

4700 EXCHANGE COURT, SUITE 100
BOCA RATON, FL 33431
(561) 995-5539

PROJECT INFORMATION:

VZW SITE #: 500991277
VZW SITE NAME:
OTTER BAY

612 NORTH EAST CLYDE VARNES
LAKE CITY, FL 32055
(COLUMBIA COUNTY)

PLANS PREPARED BY:

TEP OpCo, LLC
326 TRYON ROAD
RALEIGH, NC 27603-3530
OFFICE: (919) 661-6351
www.tepgroup.net
FL COA # 31011

DIGITAL SEAL:
THIS ITEM HAS BEEN DIGITALLY SIGNED AND SEALED BY MARC W. HUNT II ON THE DATE ADJACENT TO THE SEAL. SIGNATURE MUST BE VERIFIED ON ANY ELECTRONIC COPIES.

SEAL:
TEP OpCo, LLC FL COA # 31011

I	03-13-26	CONSTRUCTION
O	02-25-26	PRELIMINARY
REV	DATE	ISSUED FOR:

DRAWN BY: TAF CHECKED BY: JHJ

SHEET TITLE:

**COMPOUND
DETAIL**

SHEET NUMBER:	REVISION:
C-2	1
TEP#: 352831.1 196904	

COMPOUND DETAIL
SCALE: 1/8" = 1'-0"



TEP IS A FAMILY OF COMPANIES LICENSED TO PROVIDE DIFFERENT SERVICES IN DIFFERENT JURISDICTIONS. DEPENDING ON THE JURISDICTION, PROFESSIONAL ENGINEERING AND LAND SURVEYING SERVICES ARE PROVIDED BY TEP OP CO LLC, A DELAWARE LIMITED LIABILITY COMPANY. WE ACQUIRE THE REQUIRED LICENSES IN EACH STATE. ADDITIONAL INFORMATION CAN BE OBTAINED FROM THE COMPANY. LIABILITY COMPANY, OR M&H ENGINEERING, PLLC, A NEW YORK PROFESSIONAL LIMITED LIABILITY COMPANY. GENERAL CONTRACTOR SERVICES ARE PROVIDED BY TEP OP CO LLC, A DELAWARE LIMITED LIABILITY COMPANY.

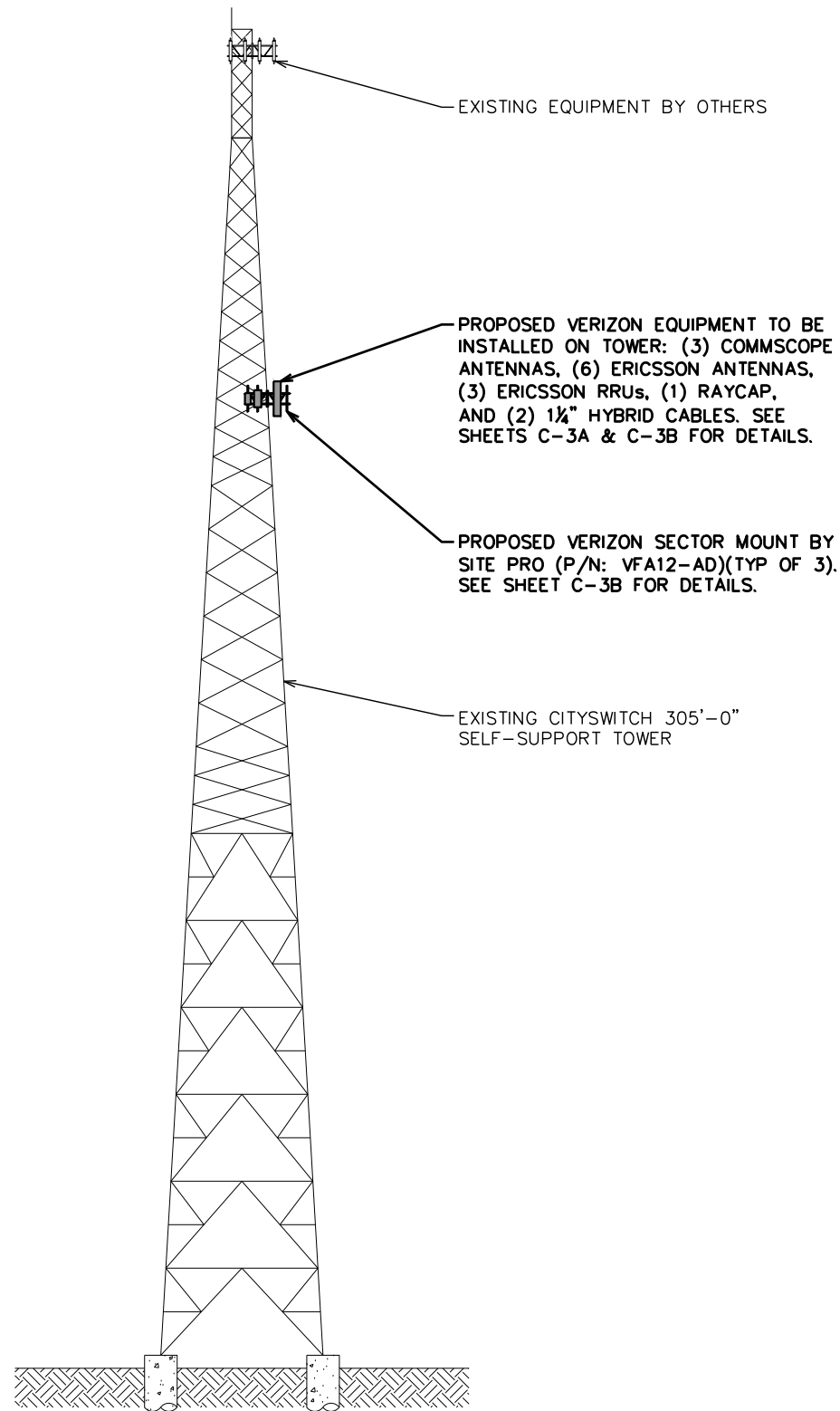
NOTES:

1. TOWER ELEVATION SHOWN IS A SCHEMATIC THE CONTRACTOR IS TO VERIFY ACTUAL TOWER DESIGN & LOADING WITH TOWER DRAWINGS FROM MANUFACTURER AND/OR STRUCTURAL ANALYSIS REPORT PRIOR TO CONSTRUCTION.
2. CONTRACTOR TO INSTALL EQUIPMENT PER MANUFACTURER'S SPECIFICATIONS.
3. FAA APPROVED OVERALL HEIGHT = 315'-0".


305'-0"±
T/ TOWER

220'-0"±
Q VERIZON ANTENNAS

0'-0" (REFERENCE)
T/FOUNDATION



PLANS PREPARED FOR:



4700 EXCHANGE COURT, SUITE 100
BOCA RATON, FL 33431
(561) 995-5539

PROJECT INFORMATION:

VZW SITE #: 500991277
VZW SITE NAME:
OTTER BAY

612 NORTH EAST CLYDE VARNES
LAKE CITY, FL 32055
(COLUMBIA COUNTY)

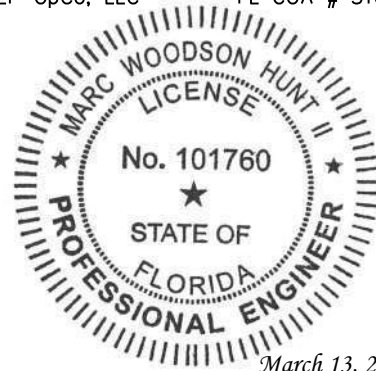
PLANS PREPARED BY:



TEP OpCo, LLC
326 TRYON ROAD
RALEIGH, NC 27603-3530
OFFICE: (919) 661-6351
www.tepgroup.net
FL COA # 31011

DIGITAL SEAL:
THIS ITEM HAS BEEN DIGITALLY SIGNED AND SEALED BY MARC W. HUNT II ON THE DATE ADJACENT TO THE SEAL. SIGNATURE MUST BE VERIFIED ON ANY ELECTRONIC COPIES.

SEAL:
TEP OpCo, LLC FL COA # 31011



I	03-13-26	CONSTRUCTION
O	02-25-26	PRELIMINARY
REV	DATE	ISSUED FOR:

DRAWN BY: TAF CHECKED BY: JHJ

SHEET TITLE:

TOWER ELEVATION

SHEET NUMBER:	REVISION:
C-3	1
TEP#: 352831.1 196904	

TOWER ELEVATION

SCALE: 1" = 40'



TEP IS A FAMILY OF COMPANIES LICENSED TO PROVIDE DIFFERENT SERVICES IN DIFFERENT JURISDICTIONS. DEPENDING ON THE JURISDICTION, PROFESSIONAL ENGINEERING AND LAND SURVEYING SERVICES ARE PROVIDED BY TEP OP CO LLC, A DELAWARE LIMITED LIABILITY COMPANY. WE ACQUIRE THE REQUIRED LICENSES IN EACH STATE. ADDITIONAL INFORMATION CAN BE OBTAINED FROM THE COMPANY. LIABILITY COMPANY, OR M&H ENGINEERING, P.L.L.C. A NEW YORK PROFESSIONAL LIMITED LIABILITY COMPANY. GENERAL CONTRACTOR SERVICES ARE PROVIDED BY TEP OP CO LLC, A DELAWARE LIMITED LIABILITY COMPANY.


NOTES:

1. THE ANTENNA LAYOUT ON SHEET C-3B IS A SCHEMATIC. THE CONTRACTOR SHALL VERIFY TOWER ORIENTATION AND FIELD COORDINATE REQUIRED ADJUSTMENTS TO ACHIEVE THE DESIRED ANTENNA AZIMUTHS.
2. ANTENNA CENTERLINE HEIGHT BASED ON TOP OF GRADE.
3. ALL ANTENNAS, CABLES, AND MOUNTS SHALL BE INSTALLED IN ACCORDANCE WITH THE STRUCTURAL ENGINEER'S RECOMMENDATIONS IN A MANNER CONSISTENT WITH THE PASSING STRUCTURAL ANALYSIS REPORT.
4. ALL INFORMATION ON THIS SHEET TO BE CONFIRMED WITH VERIZON RF DESIGN PRIOR TO INSTALLATION.
5. TEP DID NOT PERFORM A STRUCTURAL ANALYSIS ON THE MOUNT. IT IS THE CARRIER'S RESPONSIBILITY TO ENSURE MOUNT CAN SUPPORT PROPOSED LOADS.

PROPOSED ANTENNA & COAX SCHEDULE												
POS.	SECTOR	USE	MANUFACTURER (MODEL #)	RAD CENTER	CABLE SIZE	AZIMUTH (TN)	CABLE LENGTH	MECH. D-TILT	ELEC. D-TILT	EQUIPMENT [MODEL #]	J-BOX (TOWER)	
1	ALPHA	700 LTE 850 LTE 1900 LTE AWS LTE AWS3 NR CBAND NR	-	-	(2) 1/4"φ HYBRIDS	-	*260'±	-	-	(1) ERICSSON RRU [RRUS 4490]	(1) RAYCAP OVP-12 [RCMDC-6627-PF-48]	
2	ALPHA		COMMSCOPE NN-65C-HG-R1B	☉ @ 220'-0"±		30°		**	**			
3	ALPHA		ERICSSON AIR3283	☉ @ 220'-0"±		30°		**	**			
4	ALPHA		ERICSSON AIR6419	☉ @ 220'-0"±		30°		**	**			
5	BETA	700 LTE 850 LTE 1900 LTE AWS LTE AWS3 NR CBAND NR	-	-		-		-	-	-		(1) ERICSSON RRU [RRUS 4490]
6	BETA		COMMSCOPE NN-65C-HG-R1B	☉ @ 220'-0"±		150°		**	**			
7	BETA		ERICSSON AIR3283	☉ @ 220'-0"±		150°		**	**			
8	BETA		ERICSSON AIR6419	☉ @ 220'-0"±		150°		**	**			
9	GAMMA	700 LTE 850 LTE 1900 LTE AWS LTE AWS3 NR CBAND NR	-	-		-		-	-	-		(1) ERICSSON RRU [RRUS 4490]
10	GAMMA		COMMSCOPE NN-65C-HG-R1B	☉ @ 220'-0"±		270°		**	**			
11	GAMMA		ERICSSON AIR3283	☉ @ 220'-0"±		270°		**	**			
12	GAMMA		ERICSSON AIR6419	☉ @ 220'-0"±		270°		**	**			

*NOTE - CONTRACTOR TO VERIFY COAX/CABLE LENGTHS PRIOR TO CONSTRUCTION
 **NOTE - CONTRACTOR TO REFERENCE VERIZON ISSUED RFDS FOR MECH./ELEC. D-TILTS

PLANS PREPARED FOR:



4700 EXCHANGE COURT, SUITE 100
 BOCA RATON, FL 33431
 (561) 995-5539

PROJECT INFORMATION:
VZW SITE #: 500991277
VZW SITE NAME:
OTTER BAY
 612 NORTH EAST CLYDE VARNES
 LAKE CITY, FL 32055
 (COLUMBIA COUNTY)

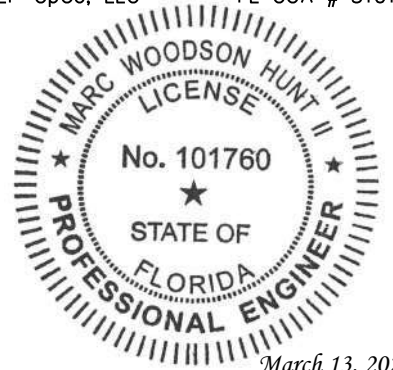
PLANS PREPARED BY:



TEP OpCo, LLC
 326 TRYON ROAD
 RALEIGH, NC 27603-3530
 OFFICE: (919) 661-6351
 www.tepgroup.net
 FL COA # 31011

DIGITAL SEAL:
 THIS ITEM HAS BEEN DIGITALLY SIGNED AND SEALED BY MARC W. HUNT II ON THE DATE ADJACENT TO THE SEAL. SIGNATURE MUST BE VERIFIED ON ANY ELECTRONIC COPIES.

SEAL:
 TEP OpCo, LLC FL COA # 31011



I	03-13-26	CONSTRUCTION
O	02-25-26	PRELIMINARY
REV	DATE	ISSUED FOR:

DRAWN BY: TAF CHECKED BY: JHJ

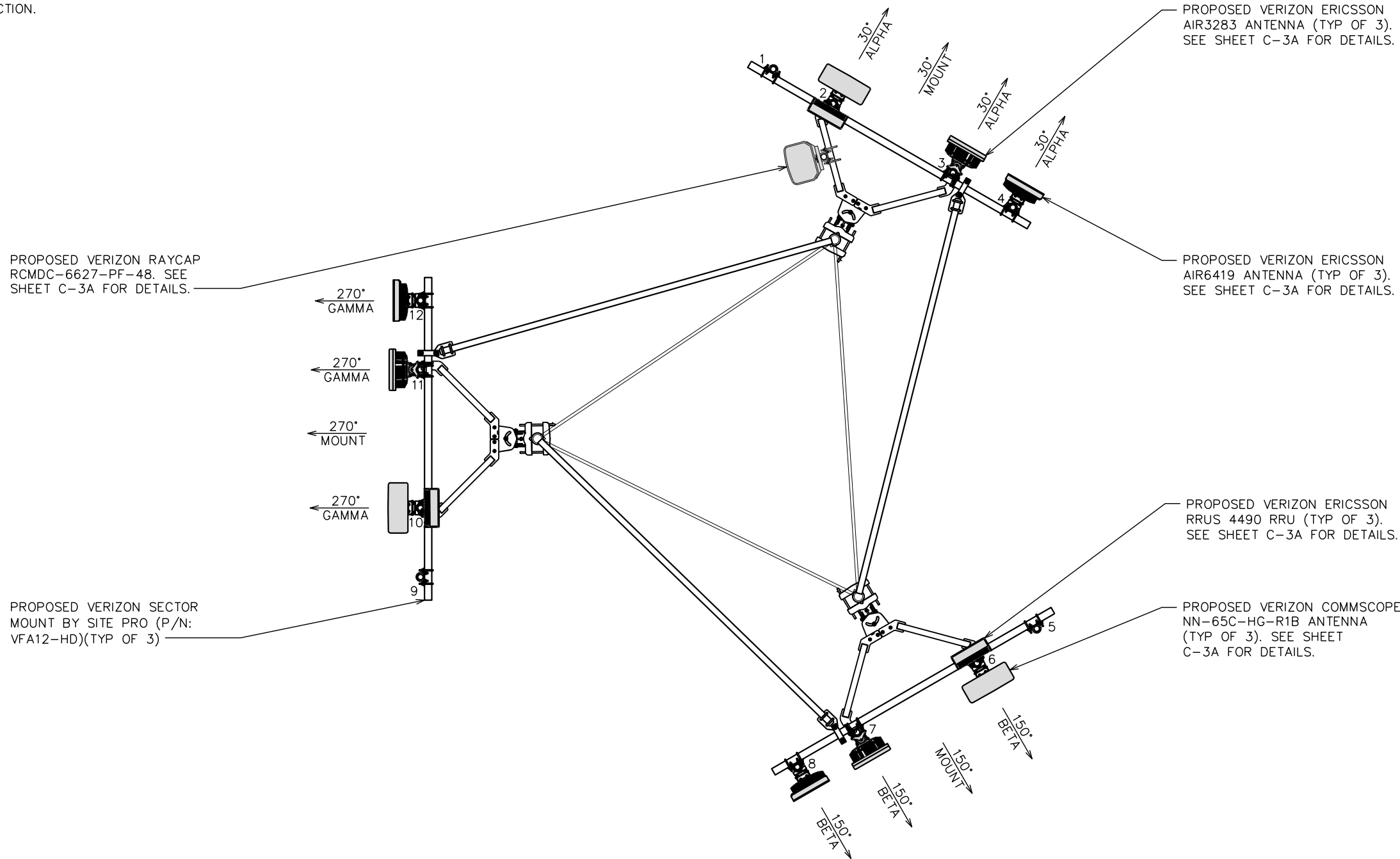
SHEET TITLE:
ANTENNA & COAX SCHEDULE

SHEET NUMBER: **C-3A** REVISION: **1**
 TEP#: 352831.1 | 96904

TEP IS A FAMILY OF COMPANIES LICENSED TO PROVIDE DIFFERENT SERVICES IN DIFFERENT JURISDICTIONS. DEPENDING ON THE JURISDICTION, PROFESSIONAL ENGINEERING AND LAND SURVEYING SERVICES ARE PROVIDED BY TEP OP CO LLC, A DELAWARE LIMITED LIABILITY COMPANY. WE ACQUIRE THE REQUIRED LICENSES IN EACH STATE. ADDITIONAL INFORMATION CAN BE OBTAINED FROM THE COMPANY.

NOTES:

1. TEP DID NOT ANALYZE MOUNT TO DETERMINE ADEQUATE STRUCTURAL CAPACITY FOR ANY VERIZON LOADING.
2. SEE SHEET C-3A FOR PROPOSED ANTENNA SCHEDULE.
3. CONTRACTOR TO VERIFY PROPOSED LOADING WITH TOWER STRUCTURAL ANALYSIS PRIOR TO CONSTRUCTION.



PLANS PREPARED FOR:
verizon
 4700 EXCHANGE COURT, SUITE 100
 BOCA RATON, FL 33431
 (561) 995-5539

PROJECT INFORMATION:
VZW SITE #: 500991277
VZW SITE NAME:
OTTER BAY
 612 NORTH EAST CLYDE VARNES
 LAKE CITY, FL 32055
 (COLUMBIA COUNTY)

PLANS PREPARED BY:

TEP OpCo, LLC
 326 TRYON ROAD
 RALEIGH, NC 27603-3530
 OFFICE: (919) 661-6351
 www.tepgroup.net
 FL COA # 31011

DIGITAL SEAL:
 THIS ITEM HAS BEEN DIGITALLY SIGNED AND SEALED BY MARC W. HUNT II ON THE DATE ADJACENT TO THE SEAL. SIGNATURE MUST BE VERIFIED ON ANY ELECTRONIC COPIES.

SEAL:
 TEP OpCo, LLC FL COA # 31011

I	03-13-26	CONSTRUCTION
O	02-25-26	PRELIMINARY
REV	DATE	ISSUED FOR:

DRAWN BY: TAF CHECKED BY: JHJ

SHEET TITLE:
PROPOSED ANTENNA LAYOUT

SHEET NUMBER: **C-3B** REVISION: **1**
 TEP#: 352831.1196904

PROPOSED ANTENNA LAYOUT @ 220'-0"
 SCALE: 1/4" = 1'-0"



TEP IS A FAMILY OF COMPANIES LICENSED TO PROVIDE DIFFERENT SERVICES IN DIFFERENT JURISDICTIONS. DEPENDING ON THE JURISDICTION, PROFESSIONAL ENGINEERING AND LAND SURVEYING SERVICES ARE PROVIDED BY TEP OP CO LLC, A DELAWARE LIMITED LIABILITY COMPANY. WE ACQUIRE THE REQUISITE LICENSES IN EACH STATE. ADDITIONAL INFORMATION CAN BE OBTAINED FROM THE COMPANY.

ROUTING NOTES:

1. REFER TO THE SITE PLAN FOR EQUIPMENT PAD LOCATIONS AND ORIENTATION.
2. RUN 2" TELCO CONDUIT FROM BOTTOM OF TELCO BOX TO SIDE OF RF CABINET WITH CHASE NIPPLE THROUGH FACTORY KNOCKOUT.
3. RUN 2" POWER CONDUIT AND 1" ALARM CONDUIT FROM BOTTOM OF ILC TO SIDE OF RF CABINET WITH CHASE NIPPLES THROUGH FACTORY KNOCKOUTS.
4. RUN 2" FIBER CONDUIT FROM BOTTOM OF RAYCAP TO SIDE OF RF CABINET WITH CHASE NIPPLE THROUGH FACTORY KNOCKOUT.
5. RUN (1)-1½" POWER CONDUIT FOR EVERY (6) RRU CIRCUITS FROM BOTTOM OF RAYCAP TO SIDE OF RF CABINET WITH CHASE NIPPLE THROUGH FACTORY KNOCKOUT.
6. SUPPORT CONDUIT ON HORIZONTAL H-FRAME RAILS OR ON VERTICAL SITE STRUT SNT10 RAILS ADDED TO H-FRAME FOR CONDUIT/CABLE MANAGEMENT.
7. RUN HYBRID CABLES FOR TOWER MOUNTED RRUs OVERHEAD ON TRAPEZE SUSPENDED FROM WAVE GUIDE BRIDGE. SWEEP DOWN ONTO H-FRAME RAILS, THEN LOOP UNDER RAYCAPS AND CONNECT TO BOTTOM OF RAYCAPS. ATTACH GROUND KITS TO HYBRID CABLES BEFORE LOOPING UNDER RAYCAP, AND BOND TO TDSGA GROUND BAR AT BASE OF H-FRAME.
8. RUN COAX CABLE FOR GROUND MOUNTED RRUs (IF ANY) OVERHEAD ON TRAPEZE SUSPENDED FROM WAVEGUIDE BRIDGE. TERMINATE COAX ON ICE BRIDGE AND TRANSITION TO JUMPERS JUST BEFORE REACHING H-FRAME. ATTACH GROUND KITS TO COAX CABLE ON TOWER SIDE OF LAST ICE BRIDGE POST AND BOND TO TDSGA GROUND BAR NEAR TOP OF POST.
9. GPS ANTENNA TO BE MOUNTED TO STANDARD HEIGHT POST WITH EXTENDED MOUNTING PIPE, USING COMMSCOPE GPS-U MOUNTING KIT. MOUNT AS NEAR AS AS PRACTICAL TO RBA84 CABINET.
10. BOLT CABINETS TO SLAB USING ½"x3¾" KWIK BOLT 3 BY HILTI OR APPROVED EQUIVALENT.
11. BOLT GENERATOR TO SLAB PER MANUFACTURERS SPECIFICATIONS.

PROPOSED GENERATOR MOUNTING HOLES (TYP). VERIFY LOCATION WITH MANUFACTURER INSTALLATION DRAWINGS.

RESERVED SPACE FOR FUTURE CIENA (INSTALLED AS NEEDED. CONTRACTOR TO COORDINATE WITH VZW CONSTRUCTION MANAGER FOR ADDITIONAL WIRING & CONDUITS AS NEEDED).

PROPOSED VERIZON 8'-0"x10'-0" EQUIPMENT PAD. SEE SHEET C-5 FOR SECTION DETAILS.

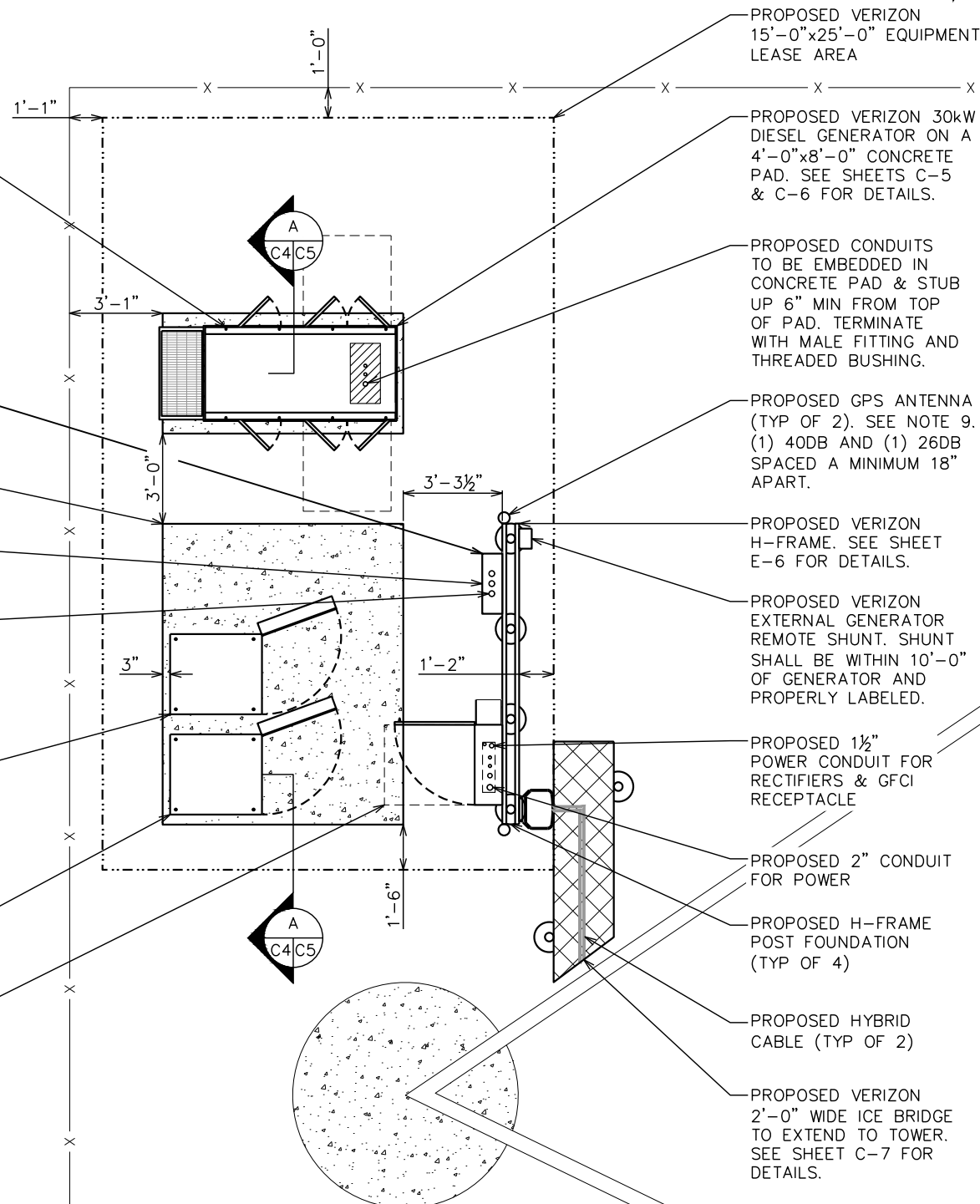
PROPOSED TELCO BOX

PROPOSED 2" TELCO CONDUIT (TYP)

PROPOSED VERIZON EQUIPMENT CABINET. SEE SHEET C-6 FOR DETAILS.

PROPOSED VERIZON BATTERY CABINET TO BE MOUNTED ON PLINTHS

PROPOSED 3'-0" WIDE NEC WORK CLEARANCE (TYP OF 3)



PLANS PREPARED FOR:

4700 EXCHANGE COURT, SUITE 100
BOCA RATON, FL 33431
(561) 995-5539

PROJECT INFORMATION:

VZW SITE #: 500991277
VZW SITE NAME: OTTER BAY

612 NORTH EAST CLYDE VARNES
LAKE CITY, FL 32055
(COLUMBIA COUNTY)

PLANS PREPARED BY:

TEP OpCo, LLC
326 TRYON ROAD
RALEIGH, NC 27603-3530
OFFICE: (919) 661-6351
www.tepgroup.net
FL COA # 31011

DIGITAL SEAL:
THIS ITEM HAS BEEN DIGITALLY SIGNED AND SEALED BY MARC W. HUNT II ON THE DATE ADJACENT TO THE SEAL. SIGNATURE MUST BE VERIFIED ON ANY ELECTRONIC COPIES.

SEAL:
TEP OpCo, LLC FL COA # 31011

I	03-13-26	CONSTRUCTION
O	02-25-26	PRELIMINARY
REV	DATE	ISSUED FOR:

DRAWN BY: TAF CHECKED BY: JHJ

SHEET TITLE:
EQUIPMENT LAYOUT

SHEET NUMBER: C-4	REVISION: 1
TEP#: 352831.1196904	

EQUIPMENT LAYOUT

SCALE: 3/16" = 1'-0"



TEP IS A FAMILY OF COMPANIES LICENSED TO PROVIDE DIFFERENT SERVICES IN DIFFERENT JURISDICTIONS. DEPENDING ON THE JURISDICTION, PROFESSIONAL ENGINEERING AND LAND SURVEYING SERVICES ARE PROVIDED BY TEP OP CO LLC, A DELAWARE LIMITED LIABILITY COMPANY. WE ACQUIRE THE REQUISITE LICENSES IN EACH STATE. ADDITIONAL INFORMATION CAN BE OBTAINED FROM THE COMPANY. LIABILITY COMPANY, OR M&H ENGINEERING, PLLC, A NEW YORK PROFESSIONAL LIMITED LIABILITY COMPANY. GENERAL CONTRACTOR SERVICES ARE PROVIDED BY TEP OP CO LLC, A DELAWARE LIMITED LIABILITY COMPANY.

FOUNDATION NOTES:

1. FOUNDATION DESIGN BASED ON 2,000 PSF SOIL BEARING CAPACITY.
2. CONCRETE SHALL BE MIN. 4,000 PSI AFTER 28 DAYS.
3. REINFORCING STEEL $F_y = 60,000$ PSI
4. ALL BACKFILL SHALL BE THOROUGHLY COMPACTED TO A MINIMUM OF 95% DENSITY USING THE MODIFIED PROCTOR METHOD.
5. SURFACE OF FINISHED SLAB SHALL BE LEVEL AND FLAT WITHIN 1/4".
6. CONTRACTOR SHALL VERIFY WITH MANUFACTURER ACTUAL DIMENSIONS OF CABINET PRIOR TO LAYING OUT FOUNDATION.
7. MAXIMUM SIZE OF CONCRETE AGGREGATE SHALL NOT EXCEED 1 INCH; SIZE SUITABLE FOR INSTALLATION METHOD UTILIZED; OR ONE-THIRD CLEAR DISTANCE BEHIND OR BETWEEN REINFORCING.
8. REINFORCEMENT SHALL BE DEFORMED AND CONFORM TO THE REQUIREMENTS OF ASTM A615 GRADE 60 UNLESS OTHERWISE NOTED.
9. WELDING IS PROHIBITED ON REINFORCING STEEL AND EMBEDMENTS.

10. MINIMUM CONCRETE COVER FOR REINFORCEMENT SHALL BE 3 INCHES UNLESS OTHERWISE NOTED.
11. CONCRETE COVER FROM TOP OF FOUNDATION TO ENDS OF VERTICAL REINFORCEMENT SHALL BE 3 INCHES MINIMUM.
12. FOUNDATION DESIGN ASSUMES FIELD INSPECTIONS WILL BE PERFORMED TO VERIFY THAT CONSTRUCTION MATERIALS, INSTALLATION METHODS, AND ASSUMED DESIGN PARAMETERS ARE ACCEPTABLE BASED ON CONDITIONS EXISTING AT THE SITE.
13. FOUNDATION DESIGN ASSUMED CONTINUOUS CONCRETE PLACEMENT WITHOUT CONSTRUCTION JOINTS.
14. WELDED WIRE FABRIC SHALL BE SUPPLIED IN FLAT SHEETS. (NOT ROLLED).
15. TEST CYLINDERS SHALL BE MOLDED AND LABORATORY CURED IN ACCORDANCE WITH ASTM C31. THREE CYLINDERS SHALL BE TAKEN FROM EACH DAY'S CONCRETE PLACEMENT. CYLINDERS SHALL BE TESTED IN ACCORDANCE WITH ASTM C39.
16. TOPS OF CONCRETE FOUNDATION MUST BE WITHIN 0.02" OF ELEVATION SPECIFIED BY THE CUSTOMER.

GENERAL STRUCTURAL NOTES:

SPECIFICATIONS / CODES:

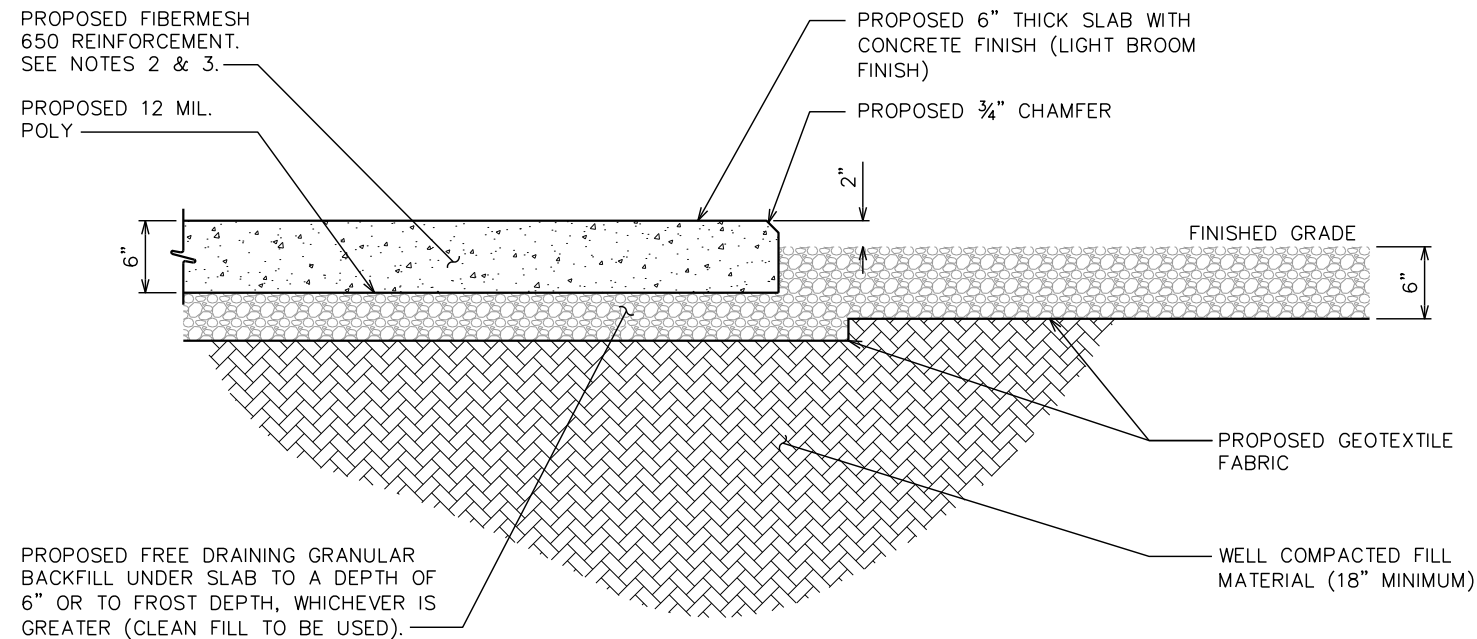
1. ALL CONCRETE WORK SHALL BE PERFORMED IN ACCORDANCE WITH LATEST EDITION OF THE ACI CODE.
2. REINFORCING STEEL SHALL BE PLACED IN ACCORDANCE WITH THE CONCRETE REINFORCING STEEL INSTITUTE (CRSI), "MANUAL OF STANDARD PRACTICE".

FOUNDATION NOTES

SCALE: N.T.S.

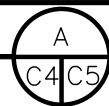
NOTES:

1. FROST DEPTH FOR JURISDICTION IS 0 INCHES.
2. APPLICATION RATE OF FIBERS SHALL BE DETERMINED BY THE READY MIX CONCRETE SUPPLIER.
3. THE CONCRETE SUPPLIER SHALL FOLLOW ALL MANUFACTURER'S RECOMMENDATIONS FOR FIBERMESH APPLICATION INCLUDING THE MINIMUM APPLICATION RATE OF 3 LBS/YD³.



EQUIPMENT FOUNDATION SECTION VIEW

SCALE: N.T.S.



PLANS PREPARED FOR:



4700 EXCHANGE COURT, SUITE 100
BOCA RATON, FL 33431
(561) 995-5539

PROJECT INFORMATION:

VZW SITE #: 5000991277
VZW SITE NAME:
OTTER BAY

612 NORTH EAST CLYDE VARNES
LAKE CITY, FL 32055
(COLUMBIA COUNTY)

PLANS PREPARED BY:



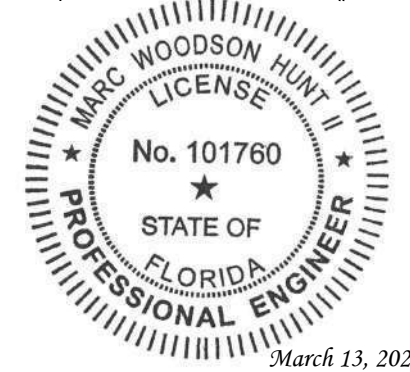
TEP OpCo, LLC
326 TRYON ROAD
RALEIGH, NC 27603-3530
OFFICE: (919) 661-6351
www.tepgroup.net
FL COA # 31011

DIGITAL SEAL:

THIS ITEM HAS BEEN DIGITALLY SIGNED AND SEALED BY MARC W. HUNT II ON THE DATE ADJACENT TO THE SEAL. SIGNATURE MUST BE VERIFIED ON ANY ELECTRONIC COPIES.

SEAL:

TEP OpCo, LLC FL COA # 31011



I	03-13-26	CONSTRUCTION
O	02-25-26	PRELIMINARY
REV	DATE	ISSUED FOR:

DRAWN BY: TAF CHECKED BY: JHJ

SHEET TITLE:

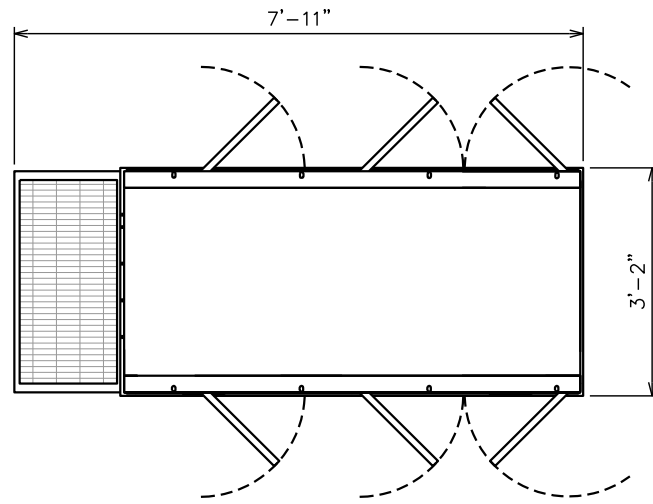
FOUNDATION NOTES & DETAILS

SHEET NUMBER:	REVISION:
C-5	1
TEP#: 352831.1196904	

TEP IS A FAMILY OF COMPANIES LICENSED TO PROVIDE DIFFERENT SERVICES IN DIFFERENT JURISDICTIONS. DEPENDING ON THE JURISDICTION, PROFESSIONAL ENGINEERING AND SURVEYING SERVICES ARE PROVIDED BY TEP OP CO LLC, A DELAWARE LIMITED LIABILITY COMPANY. WE ACQUIRE THE REQUIRED LICENSES IN EACH STATE. ADDITIONAL INFORMATION CAN BE OBTAINED FROM THE COMPANY. LIABILITY COMPANY, OR M&H ENGINEERING, P.L.L.C., A NEW YORK PROFESSIONAL LIMITED LIABILITY COMPANY. GENERAL CONTRACTOR SERVICES ARE PROVIDED BY TEP OP CO LLC, A DELAWARE LIMITED LIABILITY COMPANY.

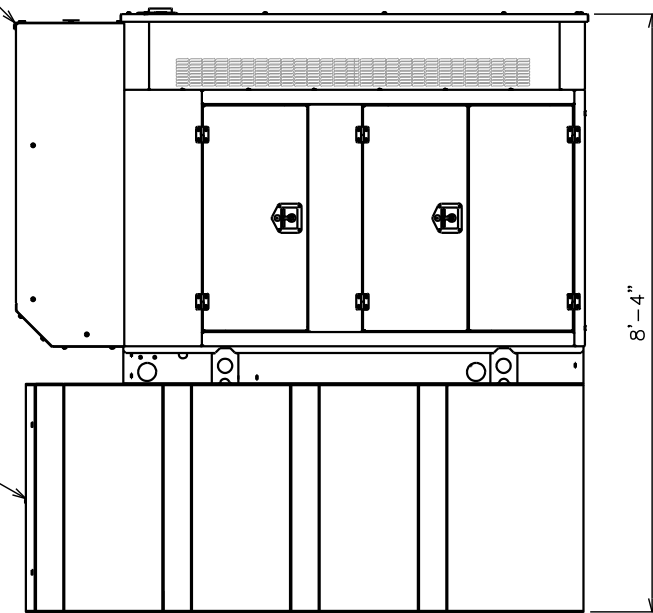
NOTES:

1. 30KW INDUSTRIAL DIESEL GENERATOR BY GENERAC INDUSTRIAL POWER (P/N: SD030). CONTRACTOR TO VERIFY DIMENSIONS WITH MANUFACTURER.
2. ANCHOR GENERATOR FUEL TANK TO CONCRETE PAD PER MANUFACTURER'S SPECIFICATION.
3. BASE TANK SIZE SHALL BE 300 GALLON. CONTRACTOR TO VERIFY SIZE WITH CONSTRUCTION MANAGER BEFORE ORDERING OR INSTALLING THE GENERATOR.



PLAN VIEW

PROPOSED 30kW DIESEL GENERATOR



ELEVATION VIEW

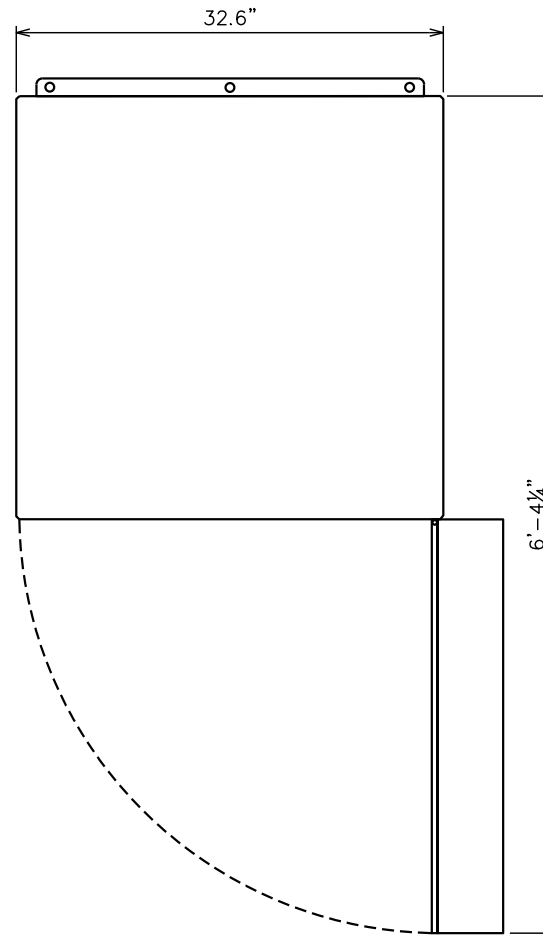
PROPOSED FUEL TANK. SEE NOTE 3.

GENERATOR DETAILS

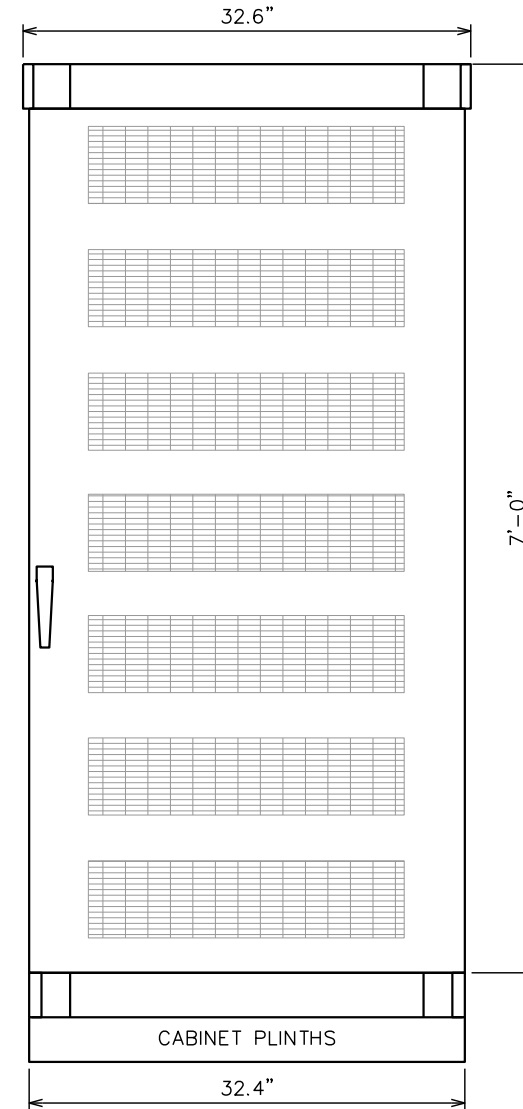
SCALE: N.T.S.

NOTES:

1. MOUNT USING 1/2"x3/4" KWIK BOLT 3 BY HILTI OR APPROVED EQUIVALENT.
2. DIMENSIONS SHOWN INCLUDE OUTDOOR ENCLOSURES.
3. CABINET WILL BE MOUNTED ON A 12" PLINTH FOR A TOTAL HEIGHT OF 8'-0".



PLAN VIEW



FRONT VIEW

RBA84 CABINET DETAILS

SCALE: N.T.S.

PLANS PREPARED FOR:



4700 EXCHANGE COURT, SUITE 100
BOCA RATON, FL 33431
(561) 995-5539

PROJECT INFORMATION:

VZW SITE #: 5000991277

VZW SITE NAME:

OTTER BAY

612 NORTH EAST CLYDE VARNES
LAKE CITY, FL 32055
(COLUMBIA COUNTY)

PLANS PREPARED BY:



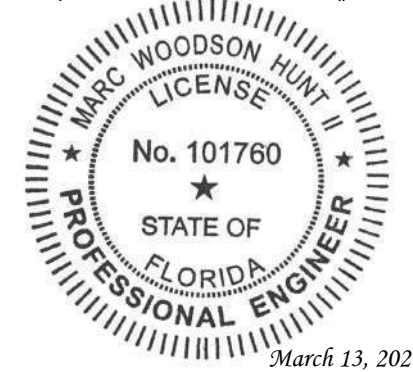
TEP OpCo, LLC
326 TRYON ROAD
RALEIGH, NC 27603-3530
OFFICE: (919) 661-6351
www.tepgroup.net
FL COA # 31011

DIGITAL SEAL:

THIS ITEM HAS BEEN DIGITALLY SIGNED AND SEALED BY MARC W. HUNT II ON THE DATE ADJACENT TO THE SEAL. SIGNATURE MUST BE VERIFIED ON ANY ELECTRONIC COPIES.

SEAL:

TEP OpCo, LLC FL COA # 31011



REV	DATE	ISSUED FOR:
I	03-13-26	CONSTRUCTION
O	02-25-26	PRELIMINARY

DRAWN BY: TAF CHECKED BY: JHJ

SHEET TITLE:

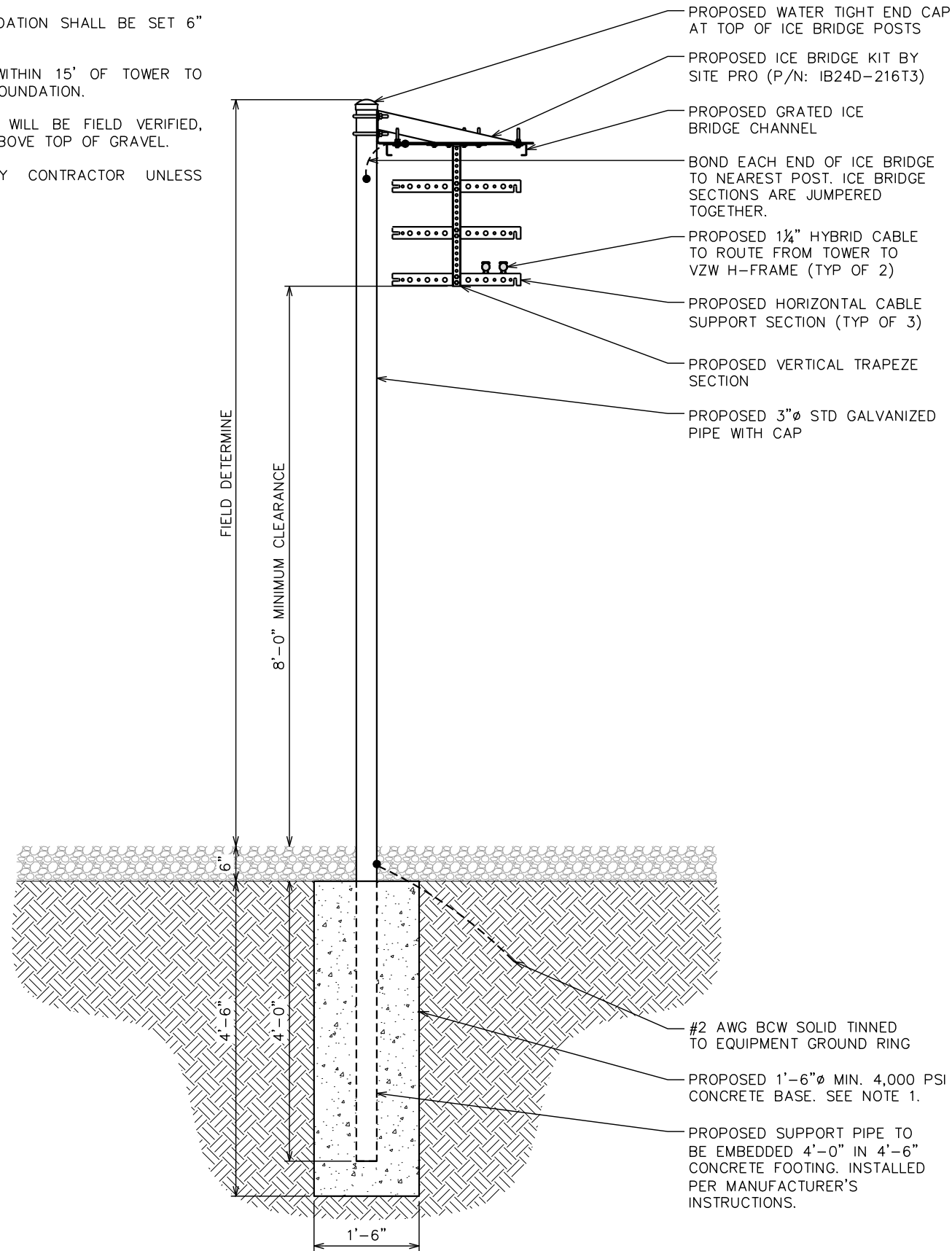
GENERATOR & EQUIPMENT CABINET DETAILS

SHEET NUMBER:	REVISION:
C-6	1
TEP#: 352831.1196904	

TEP IS A FAMILY OF COMPANIES LICENSED TO PROVIDE DIFFERENT SERVICES IN DIFFERENT JURISDICTIONS. DEPENDING ON THE JURISDICTION, PROFESSIONAL ENGINEERING AND LAND SURVEYING SERVICES ARE PROVIDED BY TEP OP CO LLC, A DELAWARE LIMITED LIABILITY COMPANY. WE ACQUIRE THE REQUISITE LICENSES IN EACH STATE. ADDITIONAL INFORMATION CAN BE OBTAINED FROM THE COMPANY. LIABILITY COMPANY, OR M&H ENGINEERING, P.L.L.C. A NEW YORK PROFESSIONAL LIMITED LIABILITY COMPANY. GENERAL CONTRACTOR SERVICES ARE PROVIDED BY TEP OP CO LLC, A DELAWARE LIMITED LIABILITY COMPANY.

NOTES:

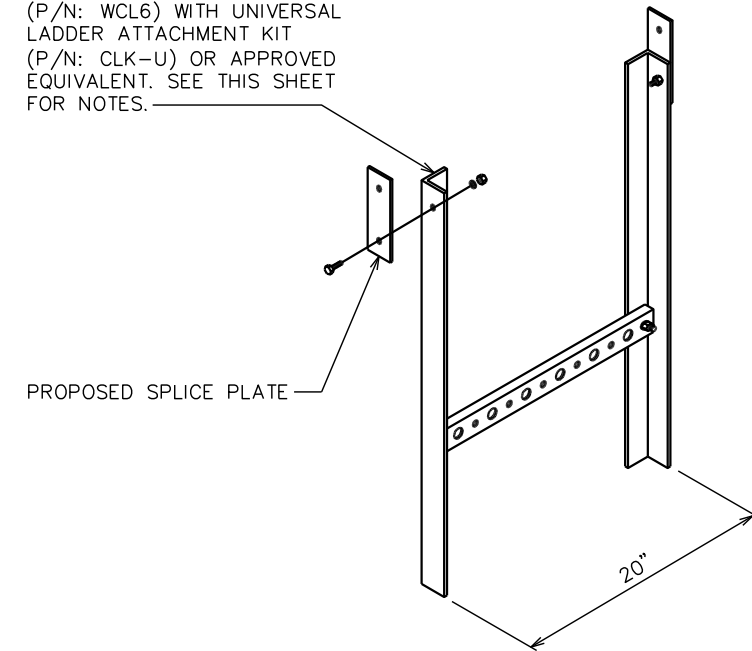
1. TOP OF ICE BRIDGE POST FOUNDATION SHALL BE SET 6" BELOW TOP OF GRAVEL.
2. ADJUST POST FOOTING DEPTH WITHIN 15' OF TOWER TO ACCOMMODATE EXISTING TOWER FOUNDATION.
3. HEIGHT TO TOP OF ICE BRIDGE WILL BE FIELD VERIFIED, BUT WILL BE MAXIMUM 10'-10" ABOVE TOP OF GRAVEL.
4. ALL MATERIALS FURNISHED BY CONTRACTOR UNLESS OTHERWISE NOTED.



NOTES:

1. CONTRACTOR TO PROVIDE PROPOSED WAVEGUIDE LADDER.
2. CONTRACTOR TO FIELD DETERMINE FINAL REQUIRED NUMBER OF WAVEGUIDE LADDER SECTIONS.

PROPOSED 20' LONG COAX LADDER BY SITE PRO (P/N: WCL6) WITH UNIVERSAL LADDER ATTACHMENT KIT (P/N: CLK-U) OR APPROVED EQUIVALENT. SEE THIS SHEET FOR NOTES.



ICE BRIDGE DETAIL

SCALE: 1/2" = 1'-0"



WAVEGUIDE DETAIL

SCALE: N.T.S.

PLANS PREPARED FOR:



4700 EXCHANGE COURT, SUITE 100
BOCA RATON, FL 33431
(561) 995-5539

PROJECT INFORMATION:

VZW SITE #: 500991277

VZW SITE NAME:

OTTER BAY

612 NORTH EAST CLYDE VARNES
LAKE CITY, FL 32055
(COLUMBIA COUNTY)

PLANS PREPARED BY:



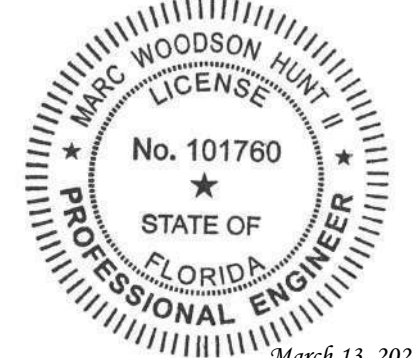
TEP OpCo, LLC
326 TRYON ROAD
RALEIGH, NC 27603-3530
OFFICE: (919) 661-6351
www.tepgroup.net
FL COA # 31011

DIGITAL SEAL:

THIS ITEM HAS BEEN DIGITALLY SIGNED AND SEALED BY MARC W. HUNT II ON THE DATE ADJACENT TO THE SEAL. SIGNATURE MUST BE VERIFIED ON ANY ELECTRONIC COPIES.

SEAL:

TEP OpCo, LLC FL COA # 31011



I	03-13-26	CONSTRUCTION
O	02-25-26	PRELIMINARY
REV	DATE	ISSUED FOR:

DRAWN BY: TAF CHECKED BY: JHJ

SHEET TITLE:

ICE BRIDGE & WAVEGUIDE DETAILS

SHEET NUMBER:	REVISION:
C-7	1
TEP#: 352831.1196904	

TEP IS A FAMILY OF COMPANIES LICENSED TO PROVIDE DIFFERENT SERVICES IN DIFFERENT JURISDICTIONS. DEPENDING ON THE JURISDICTION, PROFESSIONAL ENGINEERING AND SURVEYING SERVICES ARE PROVIDED BY TEP OP CO LLC, A DELAWARE LIMITED LIABILITY COMPANY. WE ACQUIRE THE REQUIRED LICENSES IN EACH STATE. ADDITIONAL INFORMATION CAN BE OBTAINED FROM THE COMPANY. LIABILITY COMPANY, OR M&H ENGINEERING, P.L.L.C. A NEW YORK PROFESSIONAL LIMITED LIABILITY COMPANY. GENERAL CONTRACTOR SERVICES ARE PROVIDED BY TEP OP CO LLC, A DELAWARE LIMITED LIABILITY COMPANY.

ELECTRICAL NOTES:

SCOPE:

1. PROVIDE LABOR, MATERIALS, INSPECTION, AND TESTING TO PROVIDE CODE COMPLIANCE FOR ELECTRIC, TELEPHONE, AND GROUNDING/LIGHTNING SYSTEMS.

CODES:

1. THE INSTALLATION SHALL COMPLY WITH APPLICABLE LAWS AND CODES. THESE INCLUDE BUT ARE NOT LIMITED TO THE LATEST ADOPTED EDITIONS OF:
 - A. THE NATIONAL ELECTRICAL SAFETY CODE
 - B. THE NATIONAL ELECTRIC CODE – NFPA-70
 - C. REGULATIONS OF THE SERVING UTILITY COMPANY
 - D. LOCAL AND STATE AMENDMENTS
 - E. THE INTERNATIONAL ELECTRIC CODE – IEC (WHERE APPLICABLE)
2. PERMITS REQUIRED SHALL BE OBTAINED BY THE CONTRACTOR.
3. AFTER COMPLETION AND FINAL INSPECTION OF THE WORK, THE OWNER SHALL BE FURNISHED A CERTIFICATE OF COMPLETION AND APPROVAL.

TESTING:

1. UPON COMPLETION OF THE INSTALLATION, OPERATE AND ADJUST THE EQUIPMENT AND SYSTEMS TO MEET SPECIFIED PERFORMANCE REQUIREMENTS. THE TESTING SHALL BE DONE BY QUALIFIED PERSONNEL.

GUARANTEE:

1. IN ADDITION TO THE GUARANTEE OF THE EQUIPMENT BY THE MANUFACTURER, EACH PIECE OF EQUIPMENT SPECIFIED HEREIN SHALL ALSO BE GUARANTEED FOR DEFECTS OF MATERIAL OR WORKMANSHIP OCCURRING DURING A PERIOD OF ONE (1) YEAR FROM FINAL ACCEPTANCE OF THE WORK BY THE OWNER AND WITHOUT EXPENSE TO THE OWNER.
2. THE WARRANTEE CERTIFICATES & GUARANTEES FURNISHED BY THE MANUFACTURERS SHALL BE TURNED OVER TO THE OWNER.

UTILITY CO-ORDINATION:

1. CONTRACTOR SHALL COORDINATE WORK WITH THE POWER AND TELEPHONE COMPANIES AND SHALL COMPLY WITH THE SERVICE REQUIREMENTS OF EACH UTILITY COMPANY.

EXAMINATION OF SITE:

1. PRIOR TO BEGINNING WORK, THE CONTRACTOR SHALL VISIT THE SITE OF THE JOB AND SHALL FAMILIARIZE HIMSELF WITH THE CONDITIONS AFFECTING THE PROPOSED ELECTRICAL INSTALLATION AND SHALL MAKE PROVISIONS AS TO THE COST THEREOF. FAILURE TO COMPLY WITH THE INTENT OF THIS SECTION WILL IN NO WAY RELIEVE THE CONTRACTOR OF PERFORMING THE WORK NECESSARY FOR A COMPLETE AND WORKING SYSTEM OR SYSTEMS.

CUTTING, PATCHING AND EXCAVATION:

1. COORDINATION OF SLEEVES, CHASES, ETC., BETWEEN SUBCONTRACTORS WILL BE REQUIRED PRIOR TO THE CONSTRUCTION OF ANY PORTION OF THE WORK. CUTTING AND PATCHING OF WALLS, PARTITIONS, FLOORS, AND CHASES IN CONCRETE, WOOD, STEEL OR MASONRY SHALL BE DONE AS PROVIDED ON THE DRAWINGS.
2. NECESSARY EXCAVATIONS AND BACKFILLING INCIDENTAL TO THE ELECTRICAL WORK SHALL BE PROVIDED BY THE ELECTRICAL CONTRACTOR UNLESS SPECIFICALLY NOTED OTHERWISE ON THE DRAWING.
3. SEAL PENETRATIONS THROUGH RATED WALLS, FLOORS, ETC., WITH APPROVED METHOD AS LISTED BY UL.

RACEWAYS / CONDUITS GENERAL:

1. CONDUITORS SHALL BE INSTALLED IN LISTED RACEWAYS. CONDUIT SHALL BE RIGID STEEL, EMT, SCH40 PVC, OR SCH80PVC AS INDICATED ON THE DRAWINGS. THE RACEWAY SYSTEM SHALL BE COMPLETE BEFORE INSTALLING CONDUITORS.
2. EXTERIOR RACEWAYS AND GROUNDING SLEEVES SHALL BE SEALED AT POINTS OF ENTRANCE AND EXIT. THE RACEWAY SYSTEM SHALL BE BONDED PER NEC.

EXTERIOR CONDUIT:

1. EXPOSED CONDUIT SHALL BE NEATLY INSTALLED AND RUN PARALLEL OR PERPENDICULAR TO STRUCTURAL ELEMENTS. SUPPORTS AND MOUNTING HARDWARE SHALL BE HOT DIPPED GALVANIZED STEEL.
2. THE CONDUIT SHALL BE RIGID STEEL AT GRADE TRANSITIONS OR WHERE EXPOSED TO DAMAGE.
3. UNDERGROUND CONDUITS SHALL BE RIGID STEEL, SCH40 PVC, OR SCH80 PVC AS INDICATED ON THE DRAWINGS.
4. BURIAL DEPTH OF CONDUITS SHALL BE AS REQUIRED BY CODE FOR EACH SPECIFIC CONDUIT TYPE AND APPLICATION, BUT SHALL NOT BE LESS THAN THE FROST DEPTH AT THE SITE.
5. CONDUIT ROUTES ARE SCHEMATIC. CONTRACTOR SHALL FIELD VERIFY ROUTES BEFORE BID. COORDINATE ROUTE WITH WIRELESS CARRIER AND/OR BUILDING OWNER.

INTERIOR CONDUIT:

1. CONCEALED CONDUIT IN WALLS OR INTERIOR SPACES ABOVE GRADE MAY BE EMT OR PVC.
2. CONDUIT RUNS SHALL USE APPROVED COUPLINGS AND CONNECTORS. PROVIDE INSULATED BUSHING FOR ALL CONDUIT TERMINATIONS. CONDUIT RUNS IN A WET LOCATION SHALL HAVE WATERPROOF FITTINGS.
3. PROVIDE SUPPORTS FOR CONDUITS IN ACCORDANCE WITH NEC REQUIREMENTS. CONDUITS SHALL BE SIZED AS REQUIRED BY NEC.

EQUIPMENT:

1. DISCONNECT SWITCHES SHALL BE SERVICE ENTRANCE RATED, HEAVY DUTY TYPE.
2. CONTRACTOR SHALL VERIFY MAXIMUM AVAILABLE FAULT CURRENT AND COORDINATE INSTALLATION WITH THE LOCAL UTILITY BEFORE STARTING WORK. CONTRACTOR WILL VERIFY THAT EXISTING CIRCUIT BREAKERS ARE RATED FOR MORE THAN AVAILABLE FAULT CURRENT AND REPLACE AS NECESSARY.
3. NEW CIRCUIT BREAKERS SHALL BE RATED TO WITHSTAND THE MAXIMUM AVAILABLE FAULT CURRENT AS DETERMINED BY THE LOCAL UTILITY.

CONDUCTORS:

1. FURNISH AND INSTALL CONDUCTORS SPECIFIED IN THE DRAWINGS. CONDUCTORS SHALL BE COPPER AND SHALL HAVE TYPE THWN (MIN) (75° C) INSULATION, RATED FOR 600 VOLTS.
2. THE USE OF ALUMINUM CONDUCTORS SHALL BE LIMITED TO THE SERVICE FEEDERS INSTALLED BY THE UTILITY.
3. CONDUCTORS SHALL BE PROVIDED AND INSTALLED AS FOLLOWS:
 - A. MINIMUM WIRE SIZE SHALL BE #12 AWG.
 - B. CONDUCTORS SIZE #8 AND LARGER SHALL BE STRANDED. CONDUCTORS SIZE #10 AND #12 MAY BE SOLID OR STRANDED.
 - C. CONNECTION FOR #10 AWG #12 AWG SHALL BE BY TWISTING TIGHT AND INSTALLING INSULATED PRESSURE OR WIRE NUT CONNECTIONS. D. CONNECTION FOR #8 AWG AND LARGER SHALL BE BY USE OF STEEL CRIMP-ON SLEEVES WITH NYLON INSULATOR.
3. CONDUCTORS SHALL BE COLOR CODED IN ACCORDANCE WITH NEC STANDARDS.

UL COMPLIANCE:

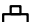



1. ELECTRICAL MATERIALS, DEVICES, CONDUCTORS, APPLIANCES, AND EQUIPMENT SHALL BE LABELED/LISTED BY UL OR ACCEPTED BY JURISDICTION (I.E., LOCAL COUNTY OR STATE) APPROVED THIRD PARTY TESTING AGENCY.

GROUNDING:

1. ELECTRICAL NEUTRALS, RACEWAYS AND NON-CURRENT CARRYING PARTS OF ELECTRICAL EQUIPMENT AND ASSOCIATED ENCLOSURES SHALL BE GROUNDED IN ACCORDANCE WITH NEC ARTICLE 250. THIS SHALL INCLUDE NEUTRAL CONDUCTORS, CONDUITS, SUPPORTS, CABINETS, BOXES, GROUND BUSSES, ETC. THE NEUTRAL CONDUCTOR FOR EACH SYSTEM SHALL BE GROUNDED AT A SINGLE POINT.
2. PROVIDE GROUND CONDUCTOR IN RACEWAYS PER NEC.
3. PROVIDE BONDING AND GROUND TO MEET NFPA 780 – "LIGHTNING PROTECTION" AS A MINIMUM.
4. PROVIDE GROUNDING SYSTEM AS INDICATED ON THE DRAWINGS, AS REQUIRED BY THE NATIONAL ELECTRIC CODE, RADIO EQUIPMENT MANUFACTURERS, AND MOTOROLA R56 (AS APPLICABLE).

ABBREVIATIONS AND LEGEND

A	– AMPERE	PNLBD	– PANELBOARD
AFG	– ABOVE FINISHED GRADE	PVC	– RIGID NON-METALLIC CONDUIT
ATS	– AUTOMATIC TRANSFER SWITCH	RGS	– RIGID GALVANIZED STEEL CONDUIT
AWG	– AMERICAN WIRE GAUGE	SW	– SWITCH
BCW	– BARE COPPER WIRE	TGB	– TOWER GROUND BAR
BFG	– BELOW FINISHED GRADE	UL	– UNDERWRITERS LABORATORIES
BKR	– BREAKER	V	– VOLTAGE
C	– CONDUIT	W	– WATTS
CKT	– CIRCUIT	XFMR	– TRANSFORMER
DISC	– DISCONNECT	XMTR	– TRANSMITTER
EGR	– EXTERNAL GROUND RING		
EMT	– ELECTRIC METALLIC TUBING		
FSC	– FLEXIBLE STEEL CONDUIT		
GEN	– GENERATOR		
GPS	– GLOBAL POSITIONING SYSTEM		
GRD	– GROUND		
IGB	– ISOLATED GROUND BAR		
IGR	– INTERIOR GROUND RING (HALO)		
KW	– KILOWATTS		
NEC	– NATIONAL ELECTRIC CODE		
PCS	– PERSONAL COMMUNICATION SYSTEM		
PH	– PHASE		
PNL	– PANEL		

----	E	----	UNDERGROUND ELECTRICAL CONDUIT
----	T	----	UNDERGROUND TELEPHONE CONDUIT
			KILOWATT-HOUR METER
-----		-----	UNDERGROUND BONDING AND GROUNDING CONDUCTOR
			GROUND ROD
			CADWELD
			GROUND ROD WITH INSPECTION WELL

PLANS PREPARED FOR:

verizon

4700 EXCHANGE COURT, SUITE 100
BOCA RATON, FL 33431
(561) 995-5539

PROJECT INFORMATION:

VZW SITE #: 5000991277
VZW SITE NAME:
OTTER BAY

612 NORTH EAST CLYDE VARNES
LAKE CITY, FL 32055
(COLUMBIA COUNTY)

PLANS PREPARED BY:



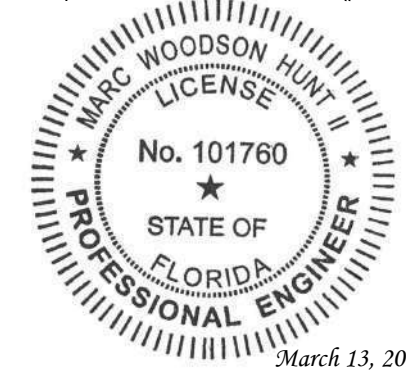
TEP OpCo, LLC
326 TRYON ROAD
RALEIGH, NC 27603-3530
OFFICE: (919) 661-6351
www.tepgroup.net
FL COA # 31011

DIGITAL SEAL:

THIS ITEM HAS BEEN DIGITALLY SIGNED AND SEALED BY MARC W. HUNT II ON THE DATE ADJACENT TO THE SEAL. SIGNATURE MUST BE VERIFIED ON ANY ELECTRONIC COPIES.

SEAL:

TEP OpCo, LLC FL COA # 31011



I	03-13-26	CONSTRUCTION
O	02-25-26	PRELIMINARY
REV	DATE	ISSUED FOR:

DRAWN BY: TAF CHECKED BY: JHJ

SHEET TITLE:

ELECTRICAL NOTES

SHEET NUMBER:	REVISION:
E-1	1
	TEP#: 352831.1196904

NOTES:

1. ALL CONDUCTORS ARE TYPE THWN (75°C) COPPER.
2. MAXIMUM LENGTH OF RUN FOR RECTIFIER CIRCUITS IS 50-FT.
3. INTERSECT/GENERAC INTEGRATED LOAD CENTER INCLUDES 200A MAIN DISCONNECT AND TRANSFER SWITCH FOR PORTABLE OR PERMANENT GENERATOR.
4. RECTIFIER LOADS ARE CONSIDERED TO BE NON-CONTINUOUS.
5. IF ADDITIONAL FUTURE LOADS ARE ADDED WHICH CAUSE TOTAL DEMAND TO EXCEED GENERATOR BREAKER SIZE, BACKUP POWER SYSTEM SHALL BE EVALUATED AND UPGRADED AS NECESSARY.

200A 120/240V 1Ø 3W VERIZON POWER PANEL SCHEDULE

DEMAND FACTOR	LOAD SERVED	UNCOMPENSATED VOLT AMPERES		TRIP	CKT #	PHASE	CKT #	TRIP	UNCOMPENSATED VOLT AMPERES		LOAD SERVED	DEMAND FACTOR
		L1 (VA)	L2 (VA)						L1 (VA)	L2 (VA)		
100%	RECTIFIER #1	1800	1800	30A	1	A	2	30A	1800	1800	FUTURE RECTIFIER #1	100%
					3	B	4					
100%	RECTIFIER #2	1800	1800	30A	5	A	6	30A	1800	1800	FUTURE RECTIFIER #2	100%
					7	B	8					
100%	RECTIFIER #3	1800	1800	30A	9	A	10	20A	1920	1920	BATTERY CABINET	100%
					11	B	12					
100%	RECTIFIER #4	1800	1800	30A	13	A	14	-	-	-	SPARE	-
					15	B	16	-	-	-	SPARE	-
125%	GFCI REC. (VZW)/AREA LIGHTS	1200	1200	20A	17	A	18	-	-	-	SPARE	-
125%	GEN. BLOCK HEATER	1200	1200	20A	19	B	20	-	-	-	SPARE	-
125%	GEN. BATTERY CHARGER	500*	500*	20A	21	A	22	-	-	-	SPARE	-
-	SPARE	-	-	-	23	B	24	-	-	-	SPARE	-
-	SPARE	-	-	-	25	A	26	-	-	-	SPARE	-
-	SPARE	-	-	-	27	B	28	-	-	-	SPARE	-
-	SPARE	-	-	-	29	A	30	-	-	-	SPARE	-
VOLT AMPS		8900	8400					5520	5520	VOLT AMPS		
		L1 VOLT AMPERES		14420	13920		L2 VOLT AMPERES					
		L1 DEMAND VOLT AMPERES (INCLUDES DEMAND FACTOR)		14845	14220		L2 DEMAND VOLT AMPERES (INCLUDES DEMAND FACTOR)					
		L1 DEMAND AMPS		123.71	118.50		L2 DEMAND AMPS					
				123.71		MAX DEMAND AMPS						

CONNECTED GENERATOR LOAD

VOLT AMPS		8400	8400			5520	5520	VOLT AMPS			
		L1 VOLT AMPERES		13920	13920		L2 VOLT AMPERES				
		L1 DEMAND VOLT AMPERES (INCLUDES DEMAND FACTOR)		14220	14220		L2 DEMAND VOLT AMPERES (INCLUDES DEMAND FACTOR)				
		L1 DEMAND AMPS		118.50	118.50		L2 DEMAND AMPS				
				118.50		MAX DEMAND AMPS					

*GEN. BATTERY CHARGER LOAD IS 0 VA DURING GENERATOR OPERATION.

POWER PANEL SCHEDULE

SCALE: N.T.S.

PLANS PREPARED FOR:



4700 EXCHANGE COURT, SUITE 100
BOCA RATON, FL 33431
(561) 995-5539

PROJECT INFORMATION:

VZW SITE #: 5000991277

VZW SITE NAME:

OTTER BAY

612 NORTH EAST CLYDE VARNES
LAKE CITY, FL 32055
(COLUMBIA COUNTY)

PLANS PREPARED BY:



TEP OpCo, LLC
326 TRYON ROAD
RALEIGH, NC 27603-3530
OFFICE: (919) 661-6351
www.tepgroup.net
FL COA # 31011

DIGITAL SEAL:

THIS ITEM HAS BEEN DIGITALLY SIGNED AND SEALED BY MARC W. HUNT II ON THE DATE ADJACENT TO THE SEAL. SIGNATURE MUST BE VERIFIED ON ANY ELECTRONIC COPIES.

SEAL:

TEP OpCo, LLC FL COA # 31011



I	03-13-26	CONSTRUCTION
O	02-25-26	PRELIMINARY
REV	DATE	ISSUED FOR:

DRAWN BY: TAF CHECKED BY: JHJ

SHEET TITLE:

POWER PANEL SCHEDULE

SHEET NUMBER: REVISION:

E-2 **1**

TEP#: 352831.1196904

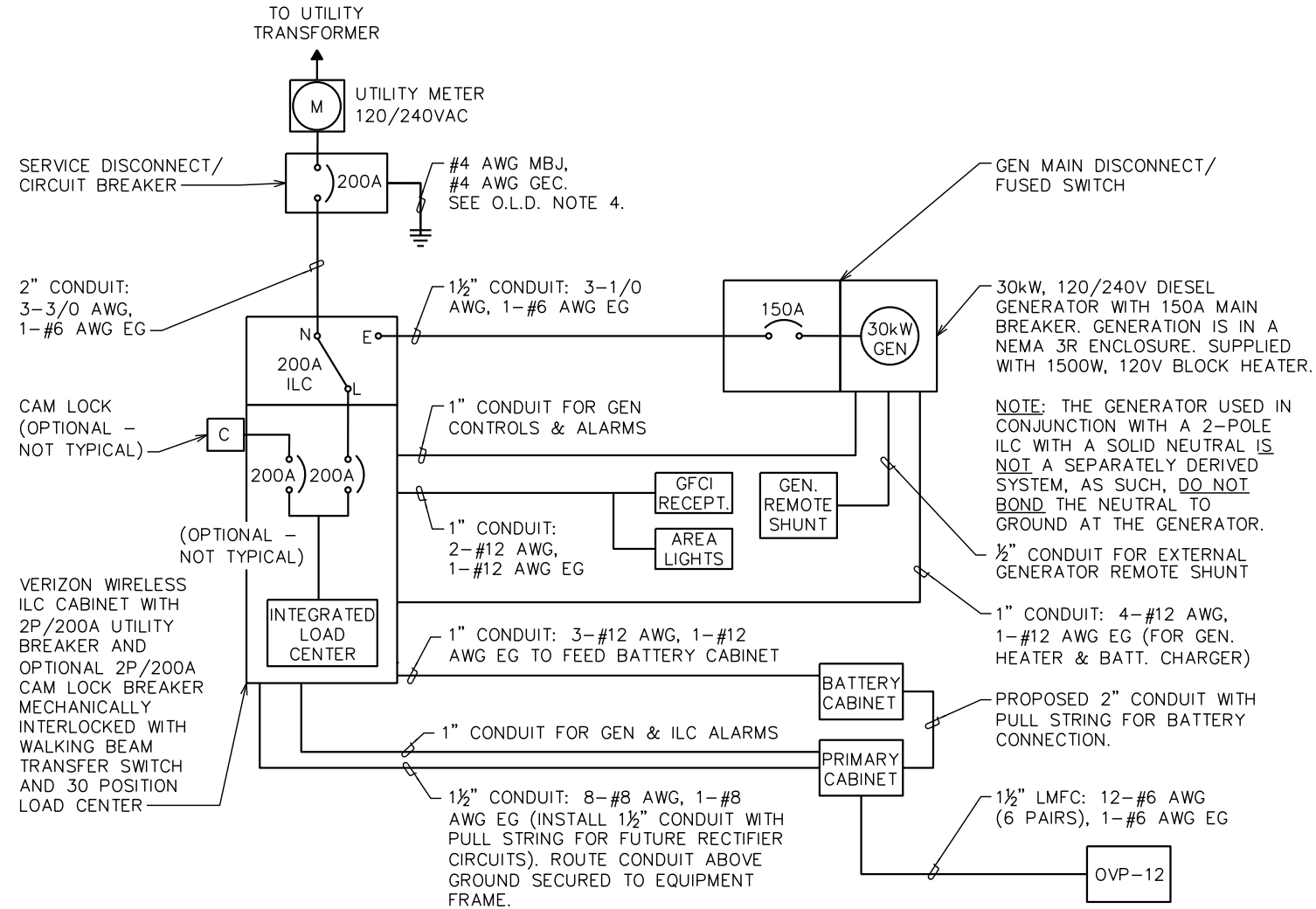
TEP IS A FAMILY OF COMPANIES LICENSED TO PROVIDE DIFFERENT SERVICES IN DIFFERENT JURISDICTIONS. DEPENDING ON THE JURISDICTION, PROFESSIONAL ENGINEERING AND LAND SURVEYING SERVICES ARE PROVIDED BY TEP OP CO LLC, A DELAWARE LIMITED LIABILITY COMPANY. WE ACQUIRE THE REQUIRED LICENSES IN EACH STATE. ADDITIONAL INFORMATION CAN BE OBTAINED FROM THE COMPANY. LIABILITY COMPANY, OR M&H ENGINEERING, PLLC, A NEW YORK PROFESSIONAL LIMITED LIABILITY COMPANY. GENERAL CONTRACTOR SERVICES ARE PROVIDED BY TEP OP CO LLC, A DELAWARE LIMITED LIABILITY COMPANY.

NOTES:

- METER BASE FOR 200A, 120/240V, 1Ø SERVICE WITH SERVICE ENTRANCE RATED CIRCUIT BREAKER TYPE DISCONNECT SWITCH. UTILITY COMPANY TO PROVIDE METER.
- FOR COMPLETE INTERNAL WIRING AND ARRANGEMENT, REFER TO VENDOR PRINTS PROVIDED BY EQUIPMENT MANUFACTURER.
- WHEN UTILITY COMPANY REQUIRES A SERVICE DISCONNECT OTHER THAN THE MAIN BREAKER IN POWER PANEL OF THE UTILITY CABINET, REMOVE BONDING JUMPER IN EQUIPMENT CABINETS AND BOND SERVICE DISCONNECT PER NEC REQUIREMENTS.
- CONTRACTOR SHALL REVIEW AND COMPLY WITH MANUFACTURERS EQUIPMENT DRAWINGS FOR ADDITIONAL REQUIREMENTS THAT MAY NOT BE SHOWN.
- CONTRACTOR SHALL OBTAIN THE MAXIMUM AVAILABLE FAULT CURRENT AT THE UTILITY SERVICE POINT FROM THE ELECTRIC COMPANY IN WRITING PRIOR TO ORDERING MATERIALS AND ENSURE THE EQUIPMENT WILL HAVE HIGHER RATING WITH A MIN VALUE OF 10,000A.
- THE GROUNDED SERVICE CONDUCTOR SHALL BE GROUNDED AT THE SERVICE DISCONNECT ONLY.
- DO NOT BOND THE NEUTRAL TO GROUND AT THE GENERATOR.
- SIGNAGE MUST BE DISPLAYED ON DISCONNECT "OPENING THE EQUIPMENT DISCONNECT WILL CAUSE THE EMERGENCY GENERATOR TO START. TO REMOVE POWER ENTIRELY FROM EQUIPMENT, THE GENERATOR MUST BE TURNED OFF USING THE GENERATOR STOP SWITCH."

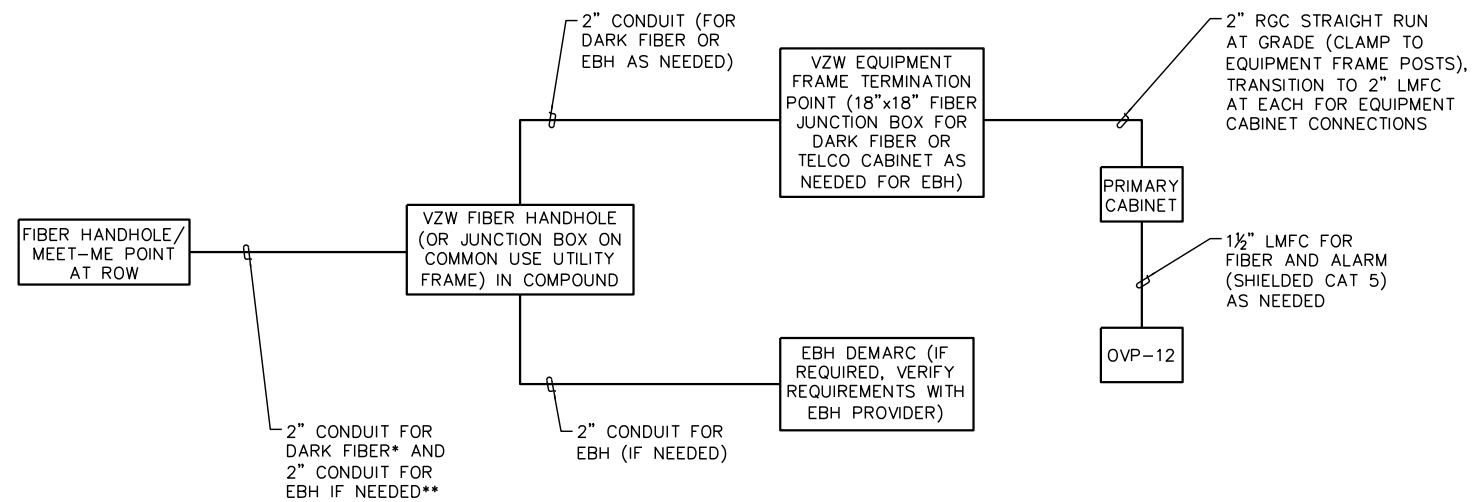
ONE-LINE DIAGRAM NOTES:

- ELECTRICAL SERVICE SHALL BE 200A, 240/120V, 1Ø, 3W.
- METER BASE WITH MAIN CIRCUIT BREAKER (SUITABLE FOR USE AS SERVICE EQUIPMENT.)
- UTILITY COMPANY TO INSTALL 200 AMP METER IN PROPOSED MULTI-METER BASE.
- GROUNDED ELECTRODE CONDUCTOR IS SIZED FOR SINGLE 200A SERVICE ONLY. IF METER BANK SHARES A COMMON NEUTRAL /GROUND POINT, CONTRACTOR WILL INSTALL (1) 3/0 COPPER GEC INSTEAD.
- COMPLY WITH MANUFACTURER SPECIFICATIONS REGARDING WIRING REQUIREMENTS.
- INSTALL A 200A BREAKER BY VERIZON WIRELESS CONTRACTOR.
- CONDUCTOR SIZES BASED ON TYPICAL CONFIGURATIONS. CONTRACTOR WILL VERIFY WITH MANUFACTURER SPECIFICATIONS BEFORE ORDERING OR INSTALLING PARTS.
- WIRE COUNT IS BASED ON EQUIPMENT SPECIFICATIONS PROVIDED BY VERIZON WIRELESS.
- NEUTRAL CONDUCTORS TO THE RECTIFIERS WERE LEFT OFF AT THE ADVICE OF VERIZON WIRELESS EQUIPMENT ENGINEER. CONTRACTOR TO VERIFY WIRING REQUIREMENTS WITH RECTIFIER MANUFACTURER SPECIFICATIONS.
- EXISTING GROUNDED ELECTRODE CONDUCTOR & MAIN BONDING JUMPER. CONTRACTOR TO VERIFY EXISTENCE AND LOCATION.
- CONDUCTOR SIZED BASED ON A MAXIMUM GENERATOR BREAKER RATING OF 150A.
- FOR FIBER:
 - * ADD (1) ADDITIONAL 2" CONDUIT FOR DARK FIBER (2 TOTAL) IF REQUIRED BY LOCAL MARKET FACILITIES, VERIFY PRIOR TO CONSTRUCTION. (ADD 2 PULL STRINGS TO EACH CONDUIT)
 - ** VERIFY EBH REQUIREMENTS WITH TELCO PROVIDER PRIOR TO CONSTRUCTION. (ADD 2 PULL STRINGS TO EACH CONDUIT)



ELECTRICAL ONE-LINE DIAGRAM

SCALE: N.T.S.



FIBER ONE-LINE DIAGRAM

SCALE: N.T.S.

PLANS PREPARED FOR:



4700 EXCHANGE COURT, SUITE 100
BOCA RATON, FL 33431
(561) 995-5539

PROJECT INFORMATION:

VZW SITE #: 5000991277
VZW SITE NAME:
OTTER BAY
612 NORTH EAST CLYDE VARNES
LAKE CITY, FL 32055
(COLUMBIA COUNTY)

PLANS PREPARED BY:



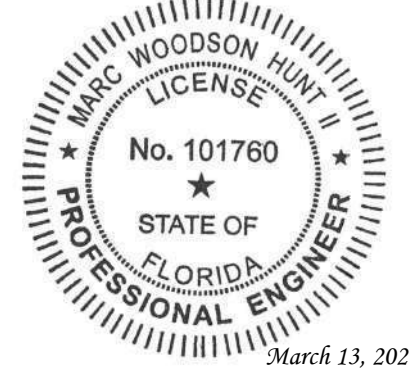
TEP OpCo, LLC
326 TRYON ROAD
RALEIGH, NC 27603-3530
OFFICE: (919) 661-6351
www.tepgroup.net
FL COA # 31011

DIGITAL SEAL:

THIS ITEM HAS BEEN DIGITALLY SIGNED AND SEALED BY MARC W. HUNT II ON THE DATE ADJACENT TO THE SEAL. SIGNATURE MUST BE VERIFIED ON ANY ELECTRONIC COPIES.

SEAL:

TEP OpCo, LLC FL COA # 31011



REV	DATE	ISSUED FOR:
I	03-13-26	CONSTRUCTION
O	02-25-26	PRELIMINARY

DRAWN BY: TAF CHECKED BY: JHJ

SHEET TITLE:
ONE-LINE DIAGRAM

SHEET NUMBER:	REVISION:
E-3	1
TEP#: 352831.1196904	

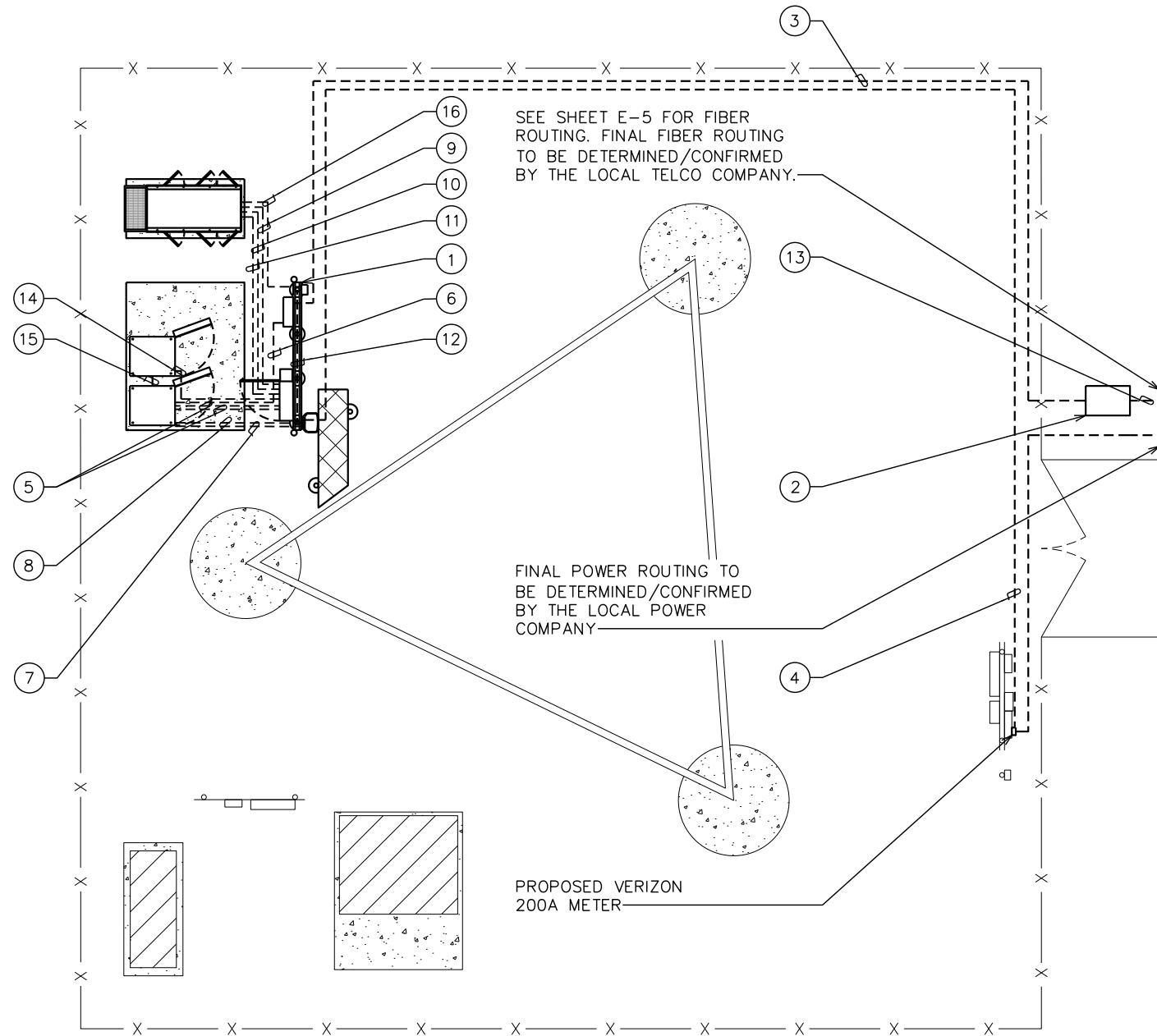
TEP IS A FAMILY OF COMPANIES LICENSED TO PROVIDE DIFFERENT SERVICES IN DIFFERENT JURISDICTIONS. DEPENDING ON THE JURISDICTION, PROFESSIONAL ENGINEERING AND LAND SURVEYING SERVICES ARE PROVIDED BY TEP OP CO LLC, A DELAWARE LIMITED LIABILITY COMPANY. WE ACQUIRE THE REQUIRED LICENSES IN EACH STATE. ADDITIONAL INFORMATION CAN BE OBTAINED FROM THE COMPANY. LIABILITY COMPANY, OR M&H ENGINEERING, P.L.L.C., A NEW YORK PROFESSIONAL LIMITED LIABILITY COMPANY. GENERAL CONTRACTOR SERVICES ARE PROVIDED BY TEP IB OP CO LLC, A DELAWARE LIMITED LIABILITY COMPANY.

LABEL LIST:

- ① VERIZON H-FRAME. SEE SHEET E-6 FOR DETAILS.
- ② PROPOSED VERIZON FIBER HANDHOLE PERMANENTLY LABELED "VZW FIBER"
- ③ (2)-2" PVC TELCO CONDUITS, EACH WITH PULL STRING. ALL CONDUITS SHALL UTILIZE LONG SWEEPS AT BENDS.
- ④ (1)-2" PVC CONDUIT FOR POWER
- ⑤ (1)-1½" CONDUIT FOR RECTIFIERS & GFCI
(1)-1" CONDUIT FOR ALARM FROM ILC TO RBA84
- ⑥ (1)-2" TELCO CONDUIT FROM TELCO BOX TO RBA84
- ⑦ (1)-2" CONDUIT FOR FIBER FROM OVP-12 TO RBA84
- ⑧ (1)-1½" CONDUIT FOR EVERY (6) RRU CIRCUITS FOR POWER FROM RAYCAP TO RBA84
- ⑨ (1)-1" CONDUIT FOR GENERATOR HEATER & BATTERY CHARGER FROM ILC TO GENERATOR
- ⑩ (1)-1" CONDUIT FOR ALARM AND CONTROL WIRING FROM ILC TO GENERATOR
- ⑪ (1)-1½" CONDUIT FOR POWER FROM ILC TO GENERATOR
- ⑫ (1)-1" CONDUIT TO AREA LIGHTS FROM ILC ON VZW H-FRAME
- ⑬ (2)-2" PVC TELCO CONDUITS FROM "VZW FIBER" HANDHOLE TO TELCO DEMARC AT RIGHT-OF-WAY
- ⑭ (1)-1" CONDUIT FOR BATTERY CABINET FROM ILC
- ⑮ (1)-2" CONDUIT FOR BATTERY CABINET FROM RBA84
- ⑯ (1)-½" CONDUIT FOR GENERATOR REMOTE SHUNT

NOTES:

- 1. AREA LIGHT LITHONIA HFR 250M SLWA DNA LP1 CONTROL VIA CONTRACTOR PROVIDED MANUAL TIMER SWITCH (WEATHERPROOF).
- 2. POWER AND TELCO CONDUITS RECEIVING CONDUCTORS BY OTHERS TO HAVE PULL ROPES.
- 3. ALL TELCO CONDUITS ARE TO BE STUBBED IN D-MARC LOCATION.
- 4. ALL POWER CONDUITS ARE TO BE TERMINATED AT THE METER CENTER.
- 5. THE CONTRACTOR SHALL LOCATE ALL EXISTING UTILITIES PRIOR TO TRENCHING. ANY DAMAGE CAUSED TO THE EXISTING UTILITIES SHALL BE REPAIRED AT THE CONTRACTOR'S EXPENSE.
- 6. ALL CONDUITS SHALL BE INSTALLED PRIOR TO FINISH GRADING, GEOFABRIC, AND STONE INSTALLATION.
- 7. CONTRACTOR SHALL INSTALL SWEEPS AT ALL CONDUIT DIRECTION CHANGES UNLESS NOTED OTHERWISE.
- 8. RUN CONDUITS FROM ILC TO GENERATOR UNDERGROUND AND STUB UP CONDUITS MINIMUM 6" HIGH INSIDE GENERATOR BASE AND TERMINATE WITH MALE ADAPTER AND THREADED BUSHING.
- 9. WHEN ALL RRUs ARE GROUND MOUNTED, OMIT OVPs AND RUN FIBER/POWER FROM RBA84 DIRECTLY TO RRUs.
- 10. FIBER BRIDGE CONDUIT TO BE LEFT AS 5' LONG CAPPED STUB CONDUIT WHEN NO EXISTING HANDHOLE IS PRESENT.
- 11. CONTRACTOR TO VERIFY WITH CM WHICH EXISTING HANDHOLE (IF ANY) BELONGS TO FIBER PROVIDER.
- 12. CONTRACTOR TO INSTALL (2) PULL ROPES IN EACH FIBER CONDUIT.



POWER & TELCO ROUTING PLAN

SCALE: 3/32" = 1'-0"



PLANS PREPARED FOR:

4700 EXCHANGE COURT, SUITE 100
BOCA RATON, FL 33431
(561) 995-5539

PROJECT INFORMATION:

VZW SITE #: 5000991277
VZW SITE NAME:
OTTER BAY
612 NORTH EAST CLYDE VARNES
LAKE CITY, FL 32055
(COLUMBIA COUNTY)

PLANS PREPARED BY:

TEP OpCo, LLC
326 TRYON ROAD
RALEIGH, NC 27603-3530
OFFICE: (919) 661-6351
www.tepgroup.net
FL COA # 31011

DIGITAL SEAL:
THIS ITEM HAS BEEN DIGITALLY SIGNED AND SEALED BY MARC W. HUNT II ON THE DATE ADJACENT TO THE SEAL. SIGNATURE MUST BE VERIFIED ON ANY ELECTRONIC COPIES.

SEAL:
TEP OpCo, LLC FL COA # 31011

I	03-13-26	CONSTRUCTION
O	02-25-26	PRELIMINARY
REV	DATE	ISSUED FOR:

DRAWN BY: TAF CHECKED BY: JHJ

SHEET TITLE:
POWER & TELCO ROUTING PLAN

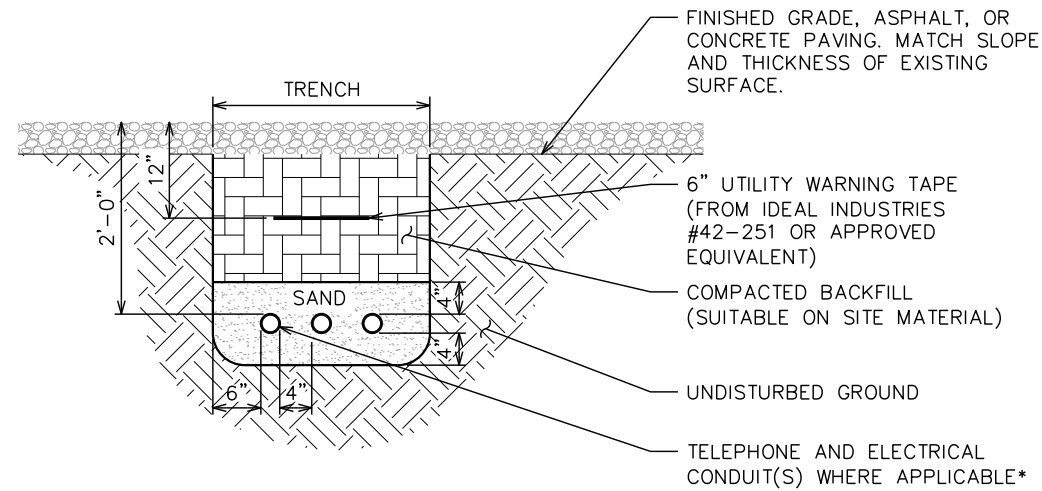
SHEET NUMBER: E-4	REVISION: 1
TEP#: 352831.1196904	

TEP IS A FAMILY OF COMPANIES LICENSED TO PROVIDE DIFFERENT SERVICES IN DIFFERENT JURISDICTIONS. DEPENDING ON THE JURISDICTION, PROFESSIONAL ENGINEERING AND LAND SURVEYING SERVICES ARE PROVIDED BY TEP OP CO LLC, A DELAWARE LIMITED LIABILITY COMPANY. GENERAL CONTRACTOR SERVICES ARE PROVIDED BY TEP PB OP CO LLC, A DELAWARE LIMITED LIABILITY COMPANY. WE ACQUIRE THE REQUIRED LICENSES IN EACH STATE. ADDITIONAL INFORMATION CAN BE OBTAINED FROM THE COMPANY.

NOTES:

1. ACTUAL SEPARATION OF CONDUITS TO BE DETERMINED BY SITE SPECIFIC REQUIREMENTS.
2. PROVIDE SCH40 PVC CONDUIT BELOW GRADE UNLESS OTHERWISE NOTED.
3. PROVIDE SCH80 PVC CONDUIT FOR INSTALLATIONS BELOW VEHICULAR TRAFFIC AREAS.

*SEPARATION DIMENSIONS TO BE VERIFIED WITH LOCAL UTILITY COMPANY REQUIREMENTS.

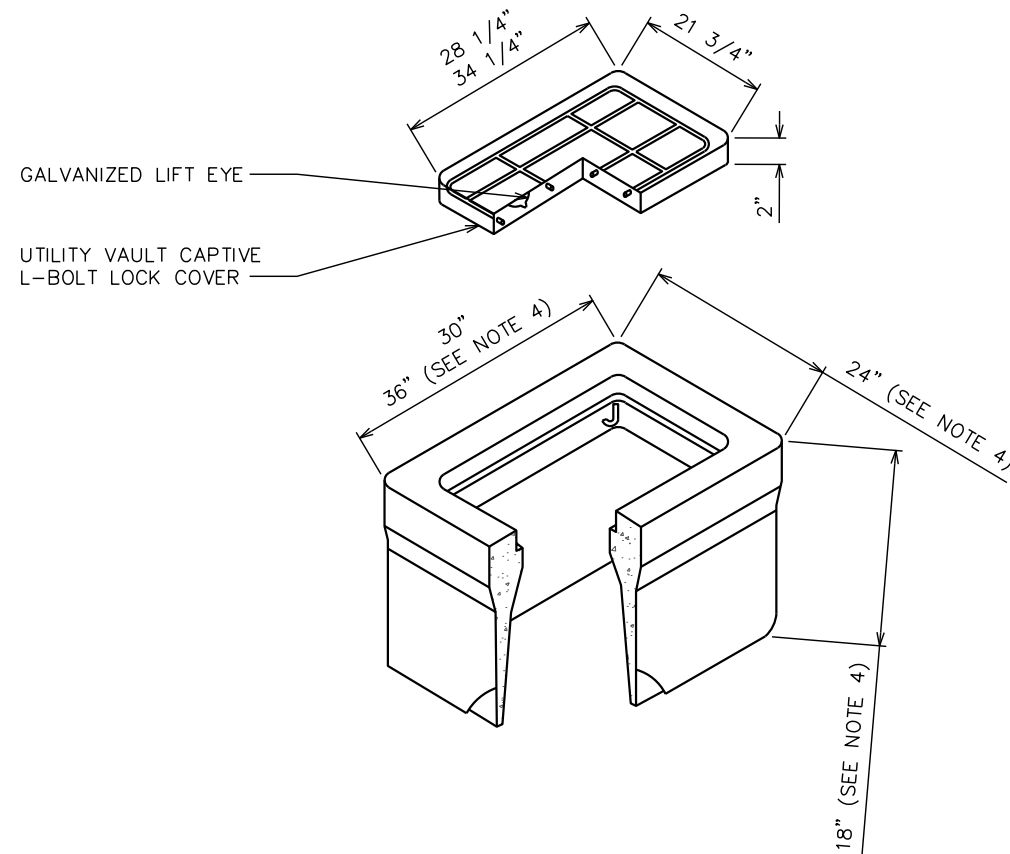


UNDERGROUND CONDUIT(S) TRENCH DETAIL (TYP)

SCALE: N.T.S.

NOTES:

1. INSTALL ON 3/4" AGGREGATE WHICH SHALL EXTEND A MINIMUM OF 6" BEYOND ALL SIDES OF THE BOX AND BE A MINIMUM OF 4" DEEP, BELOW THE BOX.
2. UTILITY VAULT COMPANY MODEL #1324 OR EQUAL.
3. COVER TO HAVE POWER/ELEC OR TELCO SHOWN.
4. VERIZON HANDHOLE TO BE 24"(WIDE) x30"(LONG)x 18"(DEEP) OR 24"(WIDE)x 36"(LONG)x 18"(DEEP).



HANDHOLE DETAIL (TYP)

SCALE: N.T.S.

PLANS PREPARED FOR:



4700 EXCHANGE COURT, SUITE 100
BOCA RATON, FL 33431
(561) 995-5539

PROJECT INFORMATION:

VZW SITE #: 5000991277
VZW SITE NAME:
OTTER BAY

612 NORTH EAST CLYDE VARNES
LAKE CITY, FL 32055
(COLUMBIA COUNTY)

PLANS PREPARED BY:



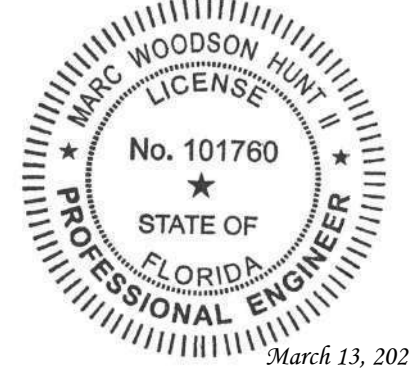
TEP OpCo, LLC
326 TRYON ROAD
RALEIGH, NC 27603-3530
OFFICE: (919) 661-6351
www.tepgroup.net
FL COA # 31011

DIGITAL SEAL:

THIS ITEM HAS BEEN DIGITALLY SIGNED AND SEALED BY MARC W. HUNT II ON THE DATE ADJACENT TO THE SEAL. SIGNATURE MUST BE VERIFIED ON ANY ELECTRONIC COPIES.

SEAL:

TEP OpCo, LLC FL COA # 31011



I	03-13-26	CONSTRUCTION
O	02-25-26	PRELIMINARY
REV	DATE	ISSUED FOR:

DRAWN BY: TAF CHECKED BY: JHJ

SHEET TITLE:

**POWER & TELCO
ROUTING DETAILS**

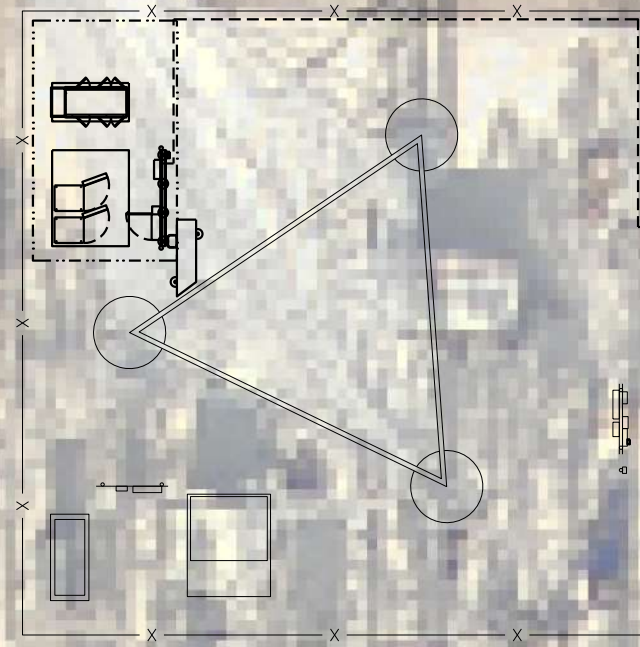
SHEET NUMBER:	REVISION:
E-4A	1
TEP#: 352831.1196904	

TEP IS A FAMILY OF COMPANIES LICENSED TO PROVIDE DIFFERENT SERVICES IN DIFFERENT JURISDICTIONS. DEPENDING ON THE JURISDICTION, PROFESSIONAL ENGINEERING AND LAND SURVEYING SERVICES ARE PROVIDED BY TEP OP CO LLC, A DELAWARE LIMITED LIABILITY COMPANY. GENERAL CONTRACTOR SERVICES ARE PROVIDED BY TEP OP CO LLC, A DELAWARE LIMITED LIABILITY COMPANY. WE ACQUIRE THE REQUIRED LICENSES IN EACH STATE. ADDITIONAL INFORMATION CAN BE OBTAINED FROM THE COMPANY. LIABILITY COMPANY, OR M&H ENGINEERING, PLLC, A NEW YORK PROFESSIONAL LIMITED LIABILITY COMPANY.

NOTES:

1. UTILITY ROUTING IS PRELIMINARY AND PENDING COORDINATION WITH LOCAL UTILITY COMPANY.
2. HANDHOLE COORDINATES PROVIDED BY GOOGLE EARTH. NO ADDITIONAL SURVEY WORK REQUIRED.
3. BRIDGE CONDUIT TO BE PROVIDED BY OTHERS IF NO FIBER HANDHOLE EXISTS PRIOR TO CONSTRUCTION.
4. INTERMEDIATE HANDHOLES TO BE INSTALLED WHEN DIRECTIONAL CHANGES EXCEED 45° AND EVERY 500' MAXIMUM.
5. CONTRACTOR TO CONFIRM WITH CM IF (2)-2" FIBER CONDUITS ARE PART OF INITIAL CONSTRUCTION.

EXISTING PROPERTY BOUNDARY



PROPOSED 4" FIBER BRIDGE CONDUIT FROM VZW FIBER HANDHOLE TO EXISTING FIBER HANDHOLE. SEE NOTE 3.

PROPOSED VERIZON 30"x24"x18" FIBER HANDHOLE PERMANENTLY LABELED "VZW FIBER".
28° 44' 11.68" N
81° 07' 01.82" W
SEE NOTE 2.

PROPOSED VERIZON (2)-2" SCHEDULE 40 FIBER CONDUITS TO ROUTE TO VZW HANDHOLE AT R/W. SEE NOTES 1 & 5.

PLANS PREPARED FOR:



4700 EXCHANGE COURT, SUITE 100
BOCA RATON, FL 33431
(561) 995-5539

PROJECT INFORMATION:

VZW SITE #: 5000991277
VZW SITE NAME:
OTTER BAY

612 NORTH EAST CLYDE VARNES
LAKE CITY, FL 32055
(COLUMBIA COUNTY)

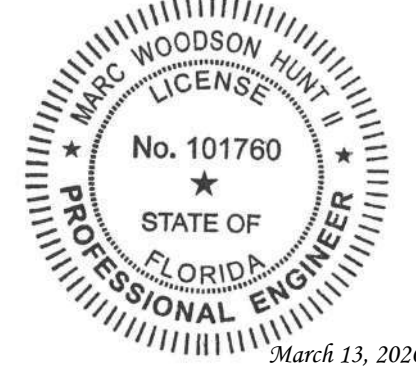
PLANS PREPARED BY:



TEP OpCo, LLC
326 TRYON ROAD
RALEIGH, NC 27603-3530
OFFICE: (919) 661-6351
www.tepgroup.net
FL COA # 31011

DIGITAL SEAL:
THIS ITEM HAS BEEN DIGITALLY SIGNED AND SEALED BY MARC W. HUNT II ON THE DATE ADJACENT TO THE SEAL. SIGNATURE MUST BE VERIFIED ON ANY ELECTRONIC COPIES.

SEAL:
TEP OpCo, LLC FL COA # 31011



I	03-13-26	CONSTRUCTION
O	02-25-26	PRELIMINARY
REV	DATE	ISSUED FOR:

DRAWN BY: TAF CHECKED BY: JHJ

SHEET TITLE:
FIBER ROUTING PLAN

SHEET NUMBER: E-5	REVISION: 1
TEP#: 352831.1 196904	

FIBER ROUTING PLAN

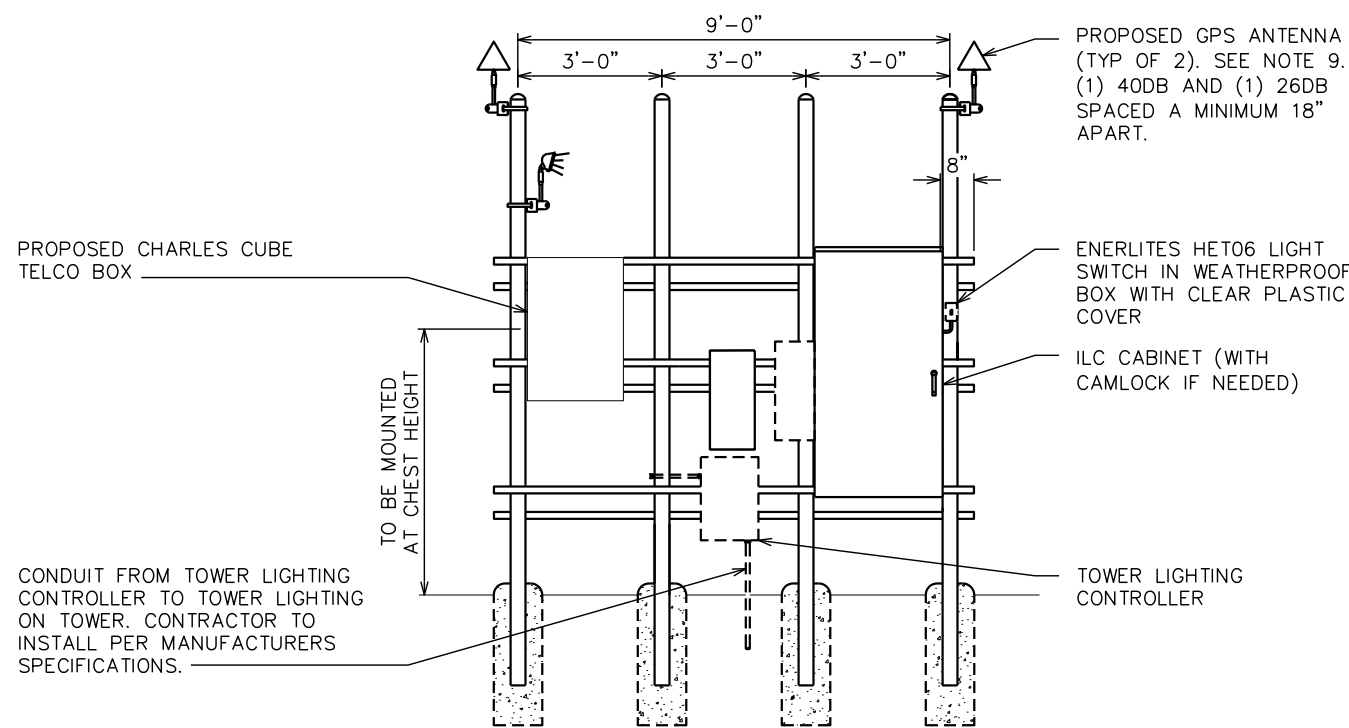
SCALE: 1" = 20'



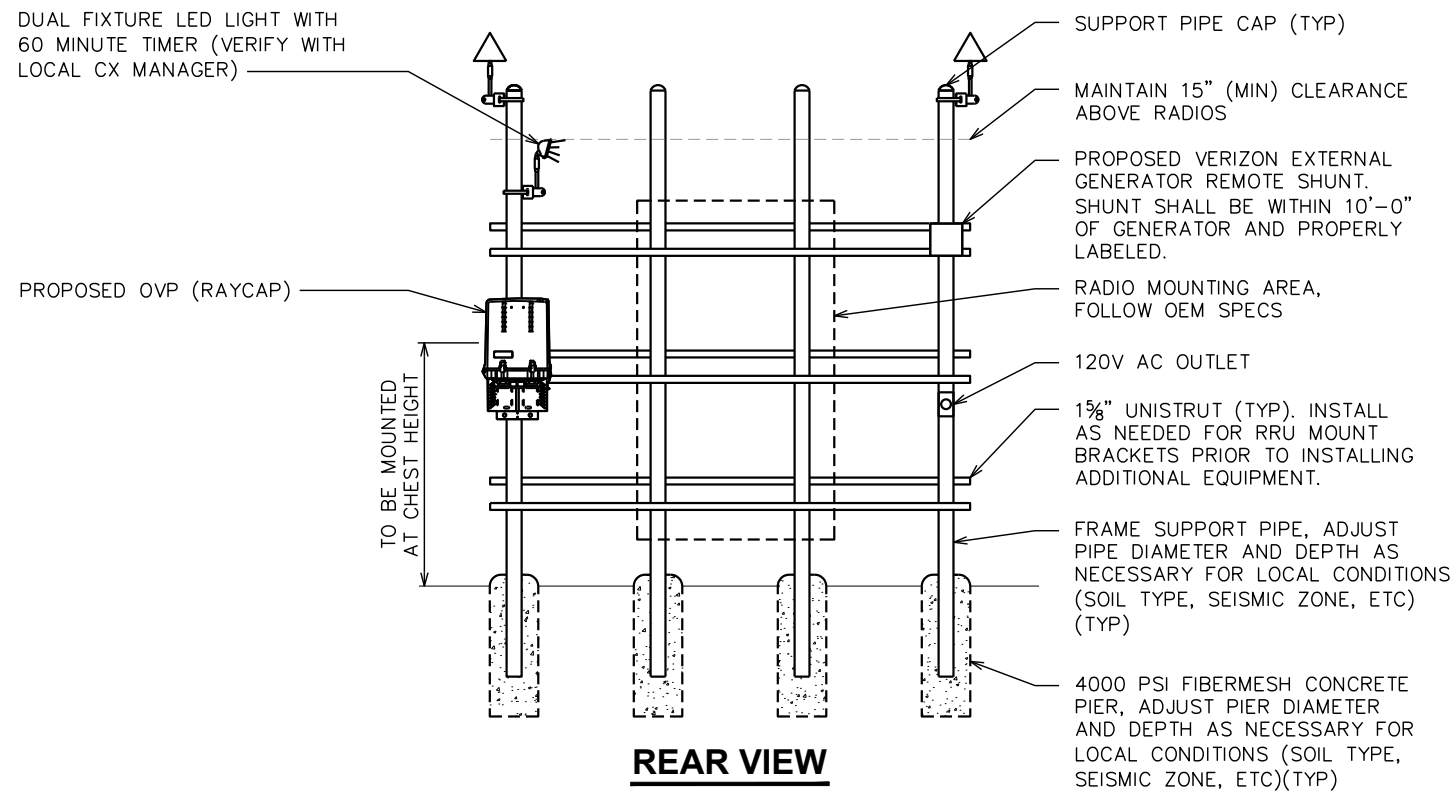
TEP IS A FAMILY OF COMPANIES LICENSED TO PROVIDE DIFFERENT SERVICES IN DIFFERENT JURISDICTIONS. DEPENDING ON THE JURISDICTION, PROFESSIONAL ENGINEERING AND LAND SURVEYING SERVICES ARE PROVIDED BY TEP OP CO LLC, A DELAWARE LIMITED LIABILITY COMPANY. WE ACQUIRE THE REQUIRED LICENSES IN EACH STATE. ADDITIONAL INFORMATION CAN BE OBTAINED FROM THE COMPANY. LIABILITY COMPANY, OR M&H ENGINEERING, P.L.L.C., A NEW YORK PROFESSIONAL LIMITED LIABILITY COMPANY. GENERAL CONTRACTOR SERVICES ARE PROVIDED BY TEP OP CO LLC, A DELAWARE LIMITED LIABILITY COMPANY.

NOTES:

1. ALL WORK SHALL CONFORM TO THE NATIONAL ELECTRICAL CODE, STATE BUILDING CODES AND THE LOCAL BUILDING CODES. ALL COMPONENTS SHALL BE U.L. LISTED.
2. REFER TO SHEET C-4 FOR EQUIPMENT LAYOUT AND EXACT LOCATION OF VERIZON H-FRAME.
3. CONTRACTOR TO COORDINATE WITH LOCAL UTILITY COMPANY FOR INSTALLATION OF NEW METER IN UTILITY H-FRAME.
4. COORDINATE EXACT LOCATION OF UNDERGROUND FEEDERS AND CIRCUITRY WITH THE OWNER.
5. CONTRACTOR SHALL COORDINATE EFFORTS WITH (LOCAL, ELECTRICAL) AUTHORITY HAVING JURISDICTION (AHJ) AND OTHER TRADES TO DETERMINE "FROST" LINE, AND TYPES OF RACEWAYS REQUIRED FOR INSTALLATION.
6. BOND ALL ELECTRICAL EQUIPMENT TO RACK.
7. DIMENSIONS SHOWN ARE APPROXIMATE AND MAY BE ALTERED IN THE FIELD AS APPROVED BY OWNER TO BETTER SUIT ACTUAL CONDITIONS OR EQUIPMENT RECEIVED.
8. FOR ANY METAL CONDUIT ENTERING AN ENCLOSURE WHERE A PRE-PUNCHED CONCENTRIC OR ECCENTRIC KNOCKOUT IS USED, THE CONTRACTOR SHALL ENSURE ADEQUATE BONDING BETWEEN THE METAL CONDUIT AND ENCLOSURE BY INSTALLING A BONDING JUMPER AROUND THE CONCENTRIC OR ECCENTRIC KNOCKOUT.
9. CONTRACTOR SHALL INSURE THAT NO OPERABLE DEVICE SHALL EXCEED 6'-6" TO CENTER LINE OF DEVICE.
10. GENERATOR STOP SWITCH TO BE FURNISHED BY LESSEE AND INSTALLED BY GC.
11. ILC TO BE FURNISHED BY VZW AND INSTALLED BY GC.
12. BREAKER AND CONDUCTOR SIZES BASED ON TYPICAL CONFIGURATIONS. CONTRACTOR WILL VERIFY WITH MANUFACTURER SPECIFICATIONS BEFORE ORDERING OR INSTALLING PARTS.



FRONT VIEW



REAR VIEW

PLANS PREPARED FOR:



4700 EXCHANGE COURT, SUITE 100
BOCA RATON, FL 33431
(561) 995-5539

PROJECT INFORMATION:

VZW SITE #: 5000991277
VZW SITE NAME:
OTTER BAY

612 NORTH EAST CLYDE VARNES
LAKE CITY, FL 32055
(COLUMBIA COUNTY)

PLANS PREPARED BY:



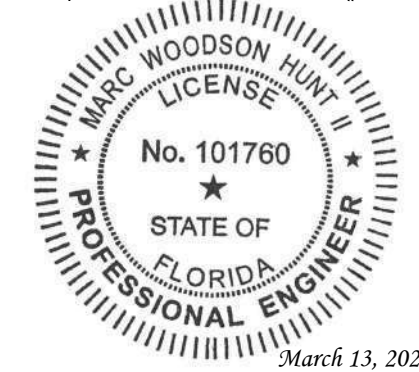
TEP OpCo, LLC
326 TRYON ROAD
RALEIGH, NC 27603-3530
OFFICE: (919) 661-6351
www.tepgroup.net
FL COA # 31011

DIGITAL SEAL:

THIS ITEM HAS BEEN DIGITALLY SIGNED AND SEALED BY MARC W. HUNT II ON THE DATE ADJACENT TO THE SEAL. SIGNATURE MUST BE VERIFIED ON ANY ELECTRONIC COPIES.

SEAL:

TEP OpCo, LLC FL COA # 31011



I	03-13-26	CONSTRUCTION
O	02-25-26	PRELIMINARY
REV	DATE	ISSUED FOR:

DRAWN BY: TAF CHECKED BY: JHJ

SHEET TITLE:

VERIZON
H-FRAME DETAILS

SHEET NUMBER:	REVISION:
E-6	1
TEP#: 352831.1196904	

VERIZON H-FRAME DETAILS

SCALE: N.T.S.

TEP IS A FAMILY OF COMPANIES LICENSED TO PROVIDE DIFFERENT SERVICES IN DIFFERENT JURISDICTIONS. DEPENDING ON THE JURISDICTION, PROFESSIONAL ENGINEERING AND LAND SURVEYING SERVICES ARE PROVIDED BY TEP OP CO LLC, A DELAWARE LIMITED LIABILITY COMPANY. WE ACQUIRE THE REQUISITE LICENSES IN EACH STATE. ADDITIONAL INFORMATION CAN BE OBTAINED FROM THE COMPANY. LIABILITY COMPANY, OR M&H ENGINEERING, PLLC, A NEW YORK PROFESSIONAL LIMITED LIABILITY COMPANY. GENERAL CONTRACTOR SERVICES ARE PROVIDED BY TEP OP CO LLC, A DELAWARE LIMITED LIABILITY COMPANY.

VERIZON GROUNDING NOTES:

1. THE GROUND RING SHALL CONSIST OF #2 AWG BARE SOLID TINNED COPPER (STC) CONDUCTOR, UNLESS NOTED OTHERWISE, BURIED AT 30" BELOW FINISHED GRADE (OR BELOW FROST LINE). LOCATE 24" MINIMUM AND 36" MAXIMUM FROM EQUIPMENT AREA. ALL CONNECTIONS SHALL BE MADE USING A PARALLEL TYPE EXOTHERMIC WELD, UNLESS NOTED OTHERWISE. WHERE THE GROUND RING DISTURBS EXISTING SITE GROUNDING, CONNECT GROUND RING TO EXISTING SITE CONDUCTORS SO AS TO MAINTAIN THE CONTINUITY OF THE EXISTING GROUND SYSTEM.

2. INSTALL GROUND RODS AS SHOWN AND AS REQUIRED. GROUND RODS TO BE COPPER CLAD STEEL, 5/8" DIAMETER AND 10FT IN LENGTH. SPACING BETWEEN GROUND RODS SHALL BE 10FT MINIMUM AND 15FT MAXIMUM. TOP OF GROUND ROD TO BE 30" MINIMUM BELOW GRADE (OR BELOW FROST LINE). BOND TOP OF GROUND ROD TO GROUND WIRE WITH EXOTHERMIC WELD. DO NOT EXOTHERMICALLY WELD ANYTHING TO GROUND ROD EXCEPT GROUND WIRE WHICH PASSES OVER TOP OF GROUND ROD.

3. EQUIPMENT AREA GROUND RING SHALL HAVE A MINIMUM OF 4 GROUND RODS, INSTALLED AT THE CORNERS OF THE GROUND RING PLUS ADDITIONAL RODS AS REQUIRED TO COMPLY WITH THE SPACING REQUIREMENTS.

4. EQUIPMENT AREA GROUND RING AND TOWER GROUND RING SHALL BE BONDED TOGETHER WITH TWO #2 STC GROUND LEADS, TYPICALLY ONE ON EACH SIDE OF ICE BRIDGE.

5. MINIMUM BEND RADIUS FOR #2 AWG GROUND WIRE IS 12", EXCEPT USE 24" FOR EQUIPMENT AREA GROUND RINGS.

6. GROUND ALL EXTERIOR EXPOSED METAL OBJECTS TO BURIED GROUND SYSTEM WITH #2 STC MECHANICALLY ATTACHED OR EXOTHERMICALLY WELDED TO OBJECTS AND EXOTHERMICALLY WELDED TO GROUND RING. USE TWO HOLE LUGS FOR CONNECTION TO FLAT METAL SURFACES. USE ONLY STAINLESS STEEL HARDWARE ON ALL MECHANICAL CONNECTIONS. CLEAN ALL SURFACES (AND STRIP PAINTED SURFACES) TO BARE BRIGHT METAL PRIOR TO MAKING GROUND CONNECTIONS. APPLY ANTI-OXIDE COMPOUND TO ALL MECHANICAL CONNECTIONS. APPLY ZINC RICH PAINT (COLD GALV.) TO ALL EXOTHERMIC WELDS, AND TO ANY METAL EXPOSED BY CLEANING, STRIPPING, GRINDING, CUTTING OR DRILLING.

7. ALL GROUNDING CONDUCTORS ABOVE GRADE SHALL BE RUN IN 3/4" FLEXIBLE PVC CONDUIT. CONDUIT SHALL BEGIN WITHIN 3/4" OF ABOVE GROUND CONNECTION POINT, SHALL EXTEND 24" BELOW GRADE MINIMUM, AND SHALL BE FILLED WITH SEALANT AT ABOVE GROUND CONNECTION POINT. SECURE CONDUIT EVERY 24" ON VERTICAL RUNS AND EVERY 36" ELSEWHERE WITH NON-METALLIC TIES.

8A. ON GUYED AND SELF SUPPORT TOWERS, MOUNT TOWER BOTTOM GROUND BAR ON DEDICATED POST DIRECTLY BELOW COAX CABLES COMING OFF TOWER. POST TO BE 3.5" OD GALVANIZED SCHEDULE 40 PIPE WITH GALVANIZED PIPE CAP. TOP OF POST TO BE 78" ABOVE GRADE. EMBED POST 30" MINIMUM IN 12" DIAMETER BY 36" DEEP MINIMUM CONCRETE FOOTING WITH TOP OF FOOTING 6" BELOW GRADE. IF TOWER FOUNDATION OBSTRUCTS AUGERED FOOTING, USE POST WITH 10" SQUARE GALVANIZED STEEL FLANGE PLATE WELDED TO BOTTOM AND BOLT FLANGE TO TOP OF CONCRETE TOWER FOOTING.

8B. ON MONOPOLE TOWERS, CLAMP TOWER BOTTOM GROUND BAR DIRECTLY TO TOWER. IF RUNNING COAX INSIDE MONOPOLE, CLAMP ONTO BOTTOM LIP OF EXIT PORT. IF BANDING COAX TO OUTSIDE OF TOWER, CLAMP ONTO STEEL ANGLE WHICH IS BANDED TO TOWER. BOND GROUND BAR TO TOWER GROUND RING WITH TWO #2 STC LEADS LUGGED TO GROUND BAR AND EXOTHERMICALLY WELDED TO GROUND RING.

9. AT EQUIPMENT AREA, INSTALL EXTERIOR GROUND BAR (THRU-BOLTED STYLE) AT BASE OF (2) INTERIOR H-FRAME POSTS AND AT TOP OF ICE BRIDGE POST WHICH IS NEAREST TO (BUT CLOSER TO TOWER THAN) THE COAX CABLE TERMINATION. MOUNT GROUND BAR TO H-FRAME POSTS AT 6" ABOVE GRAVEL AND TO ICE BRIDGE POST AT 6FT ABOVE GRAVEL.

10. ALL ICE BRIDGE SECTIONS ARE TO BE JUMPERED TOGETHER WITH #2 WIRE, EITHER BARE TINNED COPPER OR GREEN INSULATED STRANDED. ICE BRIDGE SHALL BE GROUND AT EACH END WITH #2 STC WIRE LUGGED TO ICE BRIDGE AND EXOTHERMICALLY WELDED TO UPPER PORTION OF NEAREST ICE BRIDGE POST. ICE BRIDGE SECTIONS ABOVE H-FRAME SHALL BE BONDED TO EACH OTHER WITH JUMPERS AT EACH END - THIS ASSEMBLY WILL BE CONSIDERED AS A SINGLE ICE BRIDGE SECTION FOR GROUNDING PURPOSES.

11. BOND EACH ICE BRIDGE POST, H-FRAME POST OR DEDICATED GROUNDING POST TO BURIED GROUNDING SYSTEM WITH #2 STC LEAD EXOTHERMICALLY WELDED TO POST BELOW TOP OF GRAVEL AND EXOTHERMICALLY WELDED TO GROUND RING. EACH POST TO HAVE SEPARATE GROUND LEAD DIRECTLY TO GROUND RING - DO NOT DAISY CHAIN POSTS TOGETHER.

12. BOND EACH RF CABINET TO EQUIPMENT GROUND RING WITH #2 AWG TINNED SOLID BARE COPPER CONDUCTOR LUGGED TO CABINET BODY AND EXOTHERMICALLY WELDED TO GROUND RING. LUG TO CABINET BODY USING LOCATION AT WHICH STUDS ON CABINET CHASSIS HAVE DIRECT GROUND WIRE CONNECTION TO CABINET INTERNAL GROUND BAR. RUN CONDUIT AND CONDUCTOR ACROSS BACK OF CABINET (DO NOT RUN TOWARDS NEAREST CORNER OF CABINET AND THEN BEND GROUND WIRE SHARPLY), TAKE SHORTEST PATH ACROSS CONCRETE PAD, THEN DOWN INTO GRAVEL AREA.

13. BOND EACH BATTERY CABINET (WHERE USED) TO GROUND RING WITH #2 AWG TINNED SOLID BARE COPPER CONDUCTOR LUGGED TO CABINET BODY AND EXOTHERMICALLY WELDED TO GROUND RING. RUN GROUND LEAD IN FLEX CONDUIT ALONG BACK OF CABINET, TAKE SHORTEST PATH ACROSS CONCRETE PAD, THEN DOWN INTO GRAVEL AREA. CONNECT TWO HOLE LUG TO BACK OF CABINET AT FACTORY PROVIDED GROUNDING STUDS.

14. BOND GENERATOR TO GROUND RING WITH #2 STC MECHANICALLY FASTENED TO GENERATOR AND EXOTHERMICALLY WELDED TO GROUND RING. LOCATE GROUND LEADS AT TWO DIAGONALLY OPPOSITE CORNERS OF GENERATOR BY DRILLING AND BOLTING TWO HOLE LUG TO FINS ON GENERATOR BASE STRUCTURE. GROUND LEADS SHOULD TAKE SHORTEST PATH ACROSS CONCRETE PAD TO GRAVEL AREA, THEN CONTINUE TO GROUND RING.

15. WHERE PROPANE TANK IS INSTALLED TO FUEL GENERATOR, BOND PROPANE TANK TO GROUND RING WITH A SINGLE #2 STC CLAMPED TO FILLER PIPE OF PROPANE TANK AND EXOTHERMICALLY WELDED TO GROUND RING. GROUND LEAD SHOULD RUN TO TANK SUPPORT AND TAKE SHORTEST PATH ACROSS CONCRETE PAD TO GRAVEL AREA, THEN CONTINUE TO GROUND RING. IF PROPANE TANK FUEL LINE IS METALLIC AND CROSSES EQUIPMENT GROUND RING, BOND FUEL LINE TO EQUIPMENT GROUND RING WHERE THE TWO LINES CROSS WITH A SINGLE #2 STC CLAMPED TO FUEL LINE AND EXOTHERMICALLY WELDED TO GROUND RING.

16. BOND GPS ANTENNA AND GPS ANTENNA MOUNT TO TSDGA GROUND BAR AT BOTTOM OF H-FRAME POST WITH #2 GREEN INSULATED STRANDED GROUND WIRE. RUN GROUND WIRE DOWN ICE BRIDGE POST AND SECURE TO POST WITH NON-METALLIC TIES.

17. ANY METAL FENCE POST WITHIN 6FT OF A GROUND METAL OBJECT SHALL BE BONDED TO THE EQUIPMENT GROUND RING WITH #2 STC CLAMPED OR EXOTHERMICALLY WELDED TO THE POST AND EXOTHERMICALLY WELDED TO GROUND RING. ANY FENCE WITH METAL LINE POSTS WITHIN 6FT OF THE GROUND RING SHALL HAVE THE LINE POSTS BONDED TO THE GROUND RING WITH #2 STC WITH #2 STC CLAMPED OR EXOTHERMICALLY WELDED TO THE POST AND EXOTHERMICALLY WELDED TO GROUND RING AT 20FT MAXIMUM INTERVALS AS MEASURED ALONG THE LENGTH OF THE FENCE.

18. WHERE GROUND BASED RRU'S, RAYCAP OVP'S OR DIPLEXERS ARE INSTALLED AT THE EQUIPMENT AREA, BOND EACH COMPONENT TO NEAREST TDSGA GROUND BAR BELOW THE COMPONENT WITH #2 GREEN INSULATED STRANDED GROUND WIRE. SINGLE HOLE LUG OR RING TYPE CONNECTOR IS SUITABLE FOR CONNECTION TO GROUNDING STUD ON EACH COMPONENT.

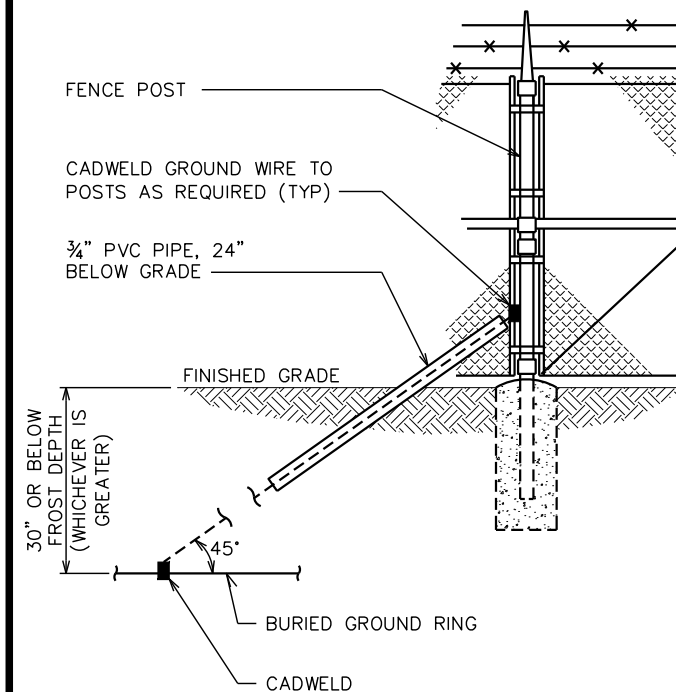
19. NOTIFY VZW CM TO INSPECT GROUND RING BEFORE BACKFILLING. CONTRACTOR SHALL HIRE A 3RD PARTY TO PERFORM AN IEEE81 FALL OF POTENTIAL METHOD GROUND TEST. MAXIMUM ALLOWABLE RESISTANCE TO GROUND IS 5 OHMS. PROVIDE ADDITIONAL GROUND SYSTEM COMPONENTS AS REQUIRED TO ACHIEVE THIS VALUE.

20. REFER TO TOWER GROUNDING DIAGRAM AND NOTES FOR GROUND SYSTEM REQUIREMENTS ON THE TOWER.

21. GROUNDING OF ALL ELECTRICAL EQUIPMENT SHALL BE AS PER NEC, MUNICIPAL AND UTILITY COMPANY REQUIREMENTS.

NOTE:

FROST DEPTH FOR JURISDICTION IS 5 INCHES.



GROUNDING NOTES

SCALE: N.T.S.

FENCE GROUNDING DETAIL

SCALE: N.T.S.

PLANS PREPARED FOR:

verizon

4700 EXCHANGE COURT, SUITE 100
BOCA RATON, FL 33431
(561) 995-5539

PROJECT INFORMATION:

VZW SITE #: 500991277

**VZW SITE NAME:
OTTER BAY**

612 NORTH EAST CLYDE VARNES
LAKE CITY, FL 32055
(COLUMBIA COUNTY)

PLANS PREPARED BY:



TEP OpCo, LLC

326 TRYON ROAD
RALEIGH, NC 27603-3530
OFFICE: (919) 661-6351

www.tepgroup.net

FL COA # 31011

DIGITAL SEAL:

THIS ITEM HAS BEEN DIGITALLY SIGNED AND SEALED BY MARC W. HUNT II ON THE DATE ADJACENT TO THE SEAL. SIGNATURE MUST BE VERIFIED ON ANY ELECTRONIC COPIES.

SEAL:

TEP OpCo, LLC FL COA # 31011



REV	DATE	ISSUED FOR:
I	03-13-26	CONSTRUCTION
O	02-25-26	PRELIMINARY

DRAWN BY: TAF CHECKED BY: JHJ

SHEET TITLE:

**GROUNDING
NOTES & FENCE
GROUNDING DETAILS**

SHEET NUMBER: REVISION:

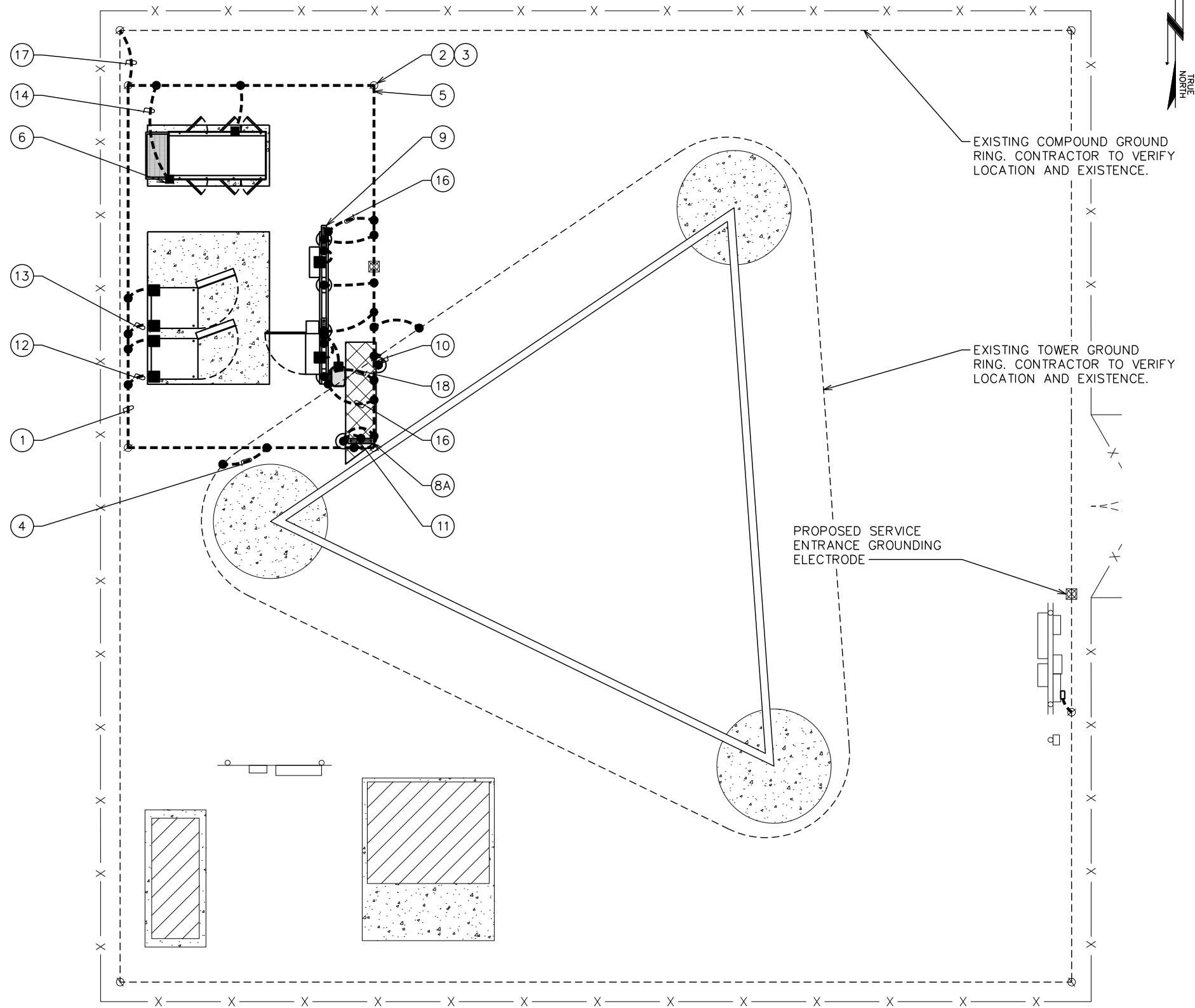
E-7

1

TEP#: 352831.1196904

DRAWING NOTE:

SEE SHEET E-7 FOR ELECTRICAL GROUNDING NOTES & REQUIREMENTS.



PLANS PREPARED FOR:
verizon
 4700 EXCHANGE COURT, SUITE 100
 BOCA RATON, FL 33431
 (561) 995-5539

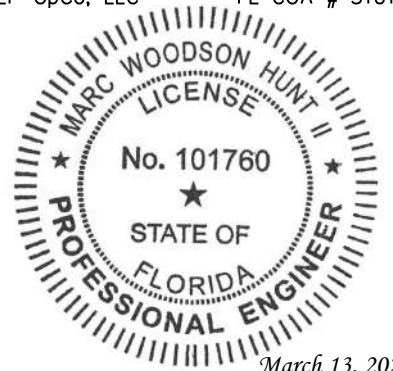
PROJECT INFORMATION:
VZW SITE #: 500991277
VZW SITE NAME:
OTTER BAY
 612 NORTH EAST CLYDE VARNES
 LAKE CITY, FL 32055
 (COLUMBIA COUNTY)

PLANS PREPARED BY:

TEP OpCo, LLC
 326 TRYON ROAD
 RALEIGH, NC 27603-3530
 OFFICE: (919) 661-6351
 www.tepgroup.net
 FL COA # 31011

DIGITAL SEAL:
 THIS ITEM HAS BEEN DIGITALLY SIGNED AND SEALED BY MARC W. HUNT II ON THE DATE ADJACENT TO THE SEAL. SIGNATURE MUST BE VERIFIED ON ANY ELECTRONIC COPIES.

SEAL:
 TEP OpCo, LLC FL COA # 31011



I	03-13-26	CONSTRUCTION
O	02-25-26	PRELIMINARY
REV	DATE	ISSUED FOR:

DRAWN BY: TAF CHECKED BY: JHJ

SHEET TITLE:
GROUNDING PLAN

SHEET NUMBER: **E-8** REVISION: **1**
 TEP#: 352831.1196904

LEGEND	
●	CADWELD
⊗	GROUND ROD
⊗	GROUND ROD WITH INSPECTION WELL
■	LUG FOR EQUIPMENT GROUNDING
---	GROUND RING
▨	GROUND BAR

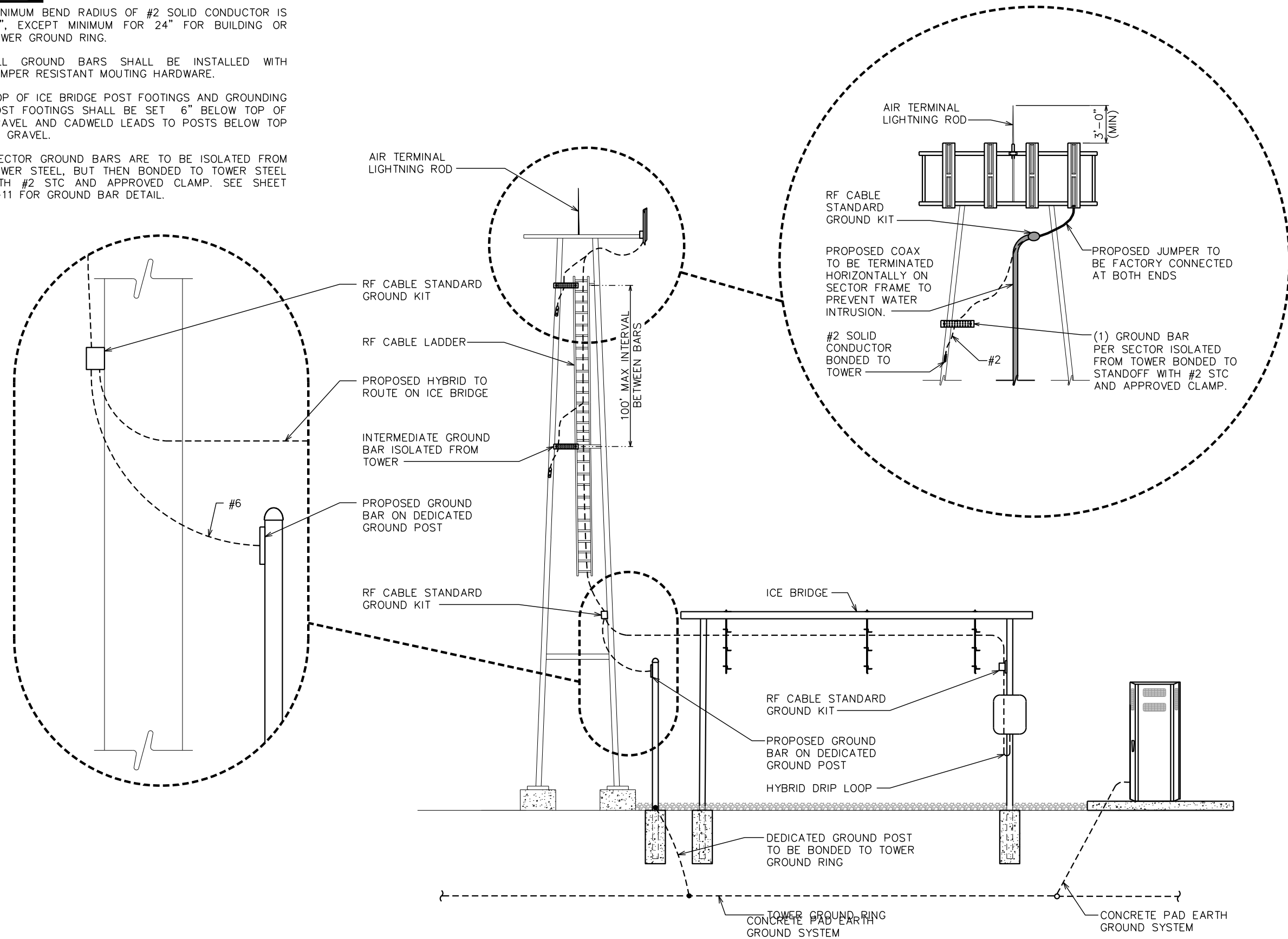
GROUNDING PLAN
 SCALE: 1/8" = 1'-0"

0 8 16
 SCALE IN FEET

TEP IS A FAMILY OF COMPANIES LICENSED TO PROVIDE DIFFERENT SERVICES IN DIFFERENT JURISDICTIONS. DEPENDING ON THE JURISDICTION, PROFESSIONAL ENGINEERING AND LAND SURVEYING SERVICES ARE PROVIDED BY TEP OP CO LLC, A DELAWARE LIMITED LIABILITY COMPANY. WE ACQUIRE THE REQUISITE LICENSES IN EACH STATE. ADDITIONAL INFORMATION CAN BE OBTAINED FROM THE COMPANY.

NOTES:

1. MINIMUM BEND RADIUS OF #2 SOLID CONDUCTOR IS 12", EXCEPT MINIMUM FOR 24" FOR BUILDING OR TOWER GROUND RING.
2. ALL GROUND BARS SHALL BE INSTALLED WITH TAMPER RESISTANT MOUNTING HARDWARE.
3. TOP OF ICE BRIDGE POST FOOTINGS AND GROUNDING POST FOOTINGS SHALL BE SET 6" BELOW TOP OF GRAVEL AND CADWELDED LEADS TO POSTS BELOW TOP OF GRAVEL.
4. SECTOR GROUND BARS ARE TO BE ISOLATED FROM TOWER STEEL, BUT THEN BONDED TO TOWER STEEL WITH #2 STC AND APPROVED CLAMP. SEE SHEET E-11 FOR GROUND BAR DETAIL.



PLANS PREPARED FOR:

verizon

4700 EXCHANGE COURT, SUITE 100
BOCA RATON, FL 33431
(561) 995-5539

PROJECT INFORMATION:

VZW SITE #: 500991277
VZW SITE NAME:
OTTER BAY

612 NORTH EAST CLYDE VARNES
LAKE CITY, FL 32055
(COLUMBIA COUNTY)

PLANS PREPARED BY:

TEP

TEP OpCo, LLC
326 TRYON ROAD
RALEIGH, NC 27603-3530
OFFICE: (919) 661-6351
www.tepgroup.net
FL COA # 31011

DIGITAL SEAL:
THIS ITEM HAS BEEN DIGITALLY SIGNED AND SEALED BY MARC W. HUNT II ON THE DATE ADJACENT TO THE SEAL. SIGNATURE MUST BE VERIFIED ON ANY ELECTRONIC COPIES.

SEAL:
TEP OpCo, LLC FL COA # 31011

MARC WOODSON HUNT II
LICENSE
No. 101760
STATE OF FLORIDA
PROFESSIONAL ENGINEER
March 13, 2026

REV	DATE	ISSUED FOR:
I	03-13-26	CONSTRUCTION
O	02-25-26	PRELIMINARY

DRAWN BY: TAF CHECKED BY: JHJ

SHEET TITLE:
ICE BRIDGE & TOWER GROUNDING DETAIL

SHEET NUMBER:	REVISION:
E-9	1

TEP#: 352831.1 | 196904

ICE BRIDGE, COAX, STANCHION, AND TOWER GROUNDING DETAIL (TYP)

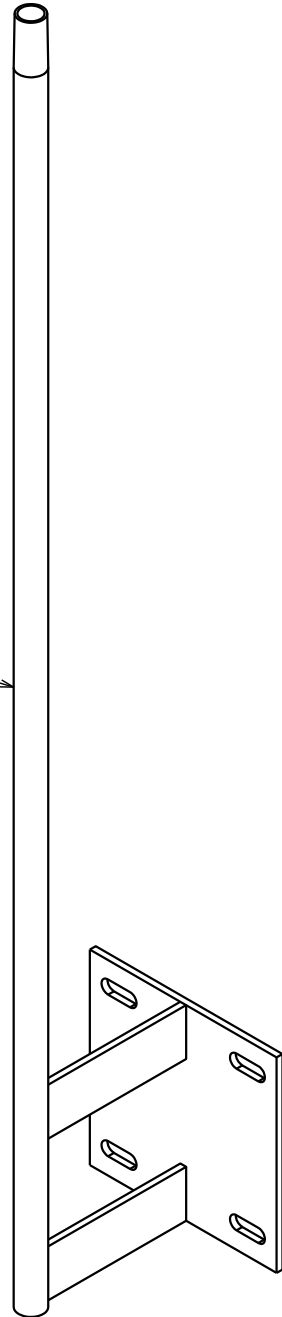
SCALE: N.T.S.

TEP IS A FAMILY OF COMPANIES LICENSED TO PROVIDE DIFFERENT SERVICES IN DIFFERENT JURISDICTIONS. DEPENDING ON THE JURISDICTION, PROFESSIONAL ENGINEERING AND LAND SURVEYING SERVICES ARE PROVIDED BY TEP OP CO LLC, A DELAWARE LIMITED LIABILITY COMPANY. WE ACQUIRE THE REQUIRED LICENSES IN EACH STATE. ADDITIONAL INFORMATION CAN BE OBTAINED FROM THE COMPANY. LIABILITY COMPANY, OR M&H ENGINEERING, P.L.L.C., A NEW YORK PROFESSIONAL LIMITED LIABILITY COMPANY. GENERAL CONTRACTOR SERVICES ARE PROVIDED BY TEP OP CO LLC, A DELAWARE LIMITED LIABILITY COMPANY.

NOTES:

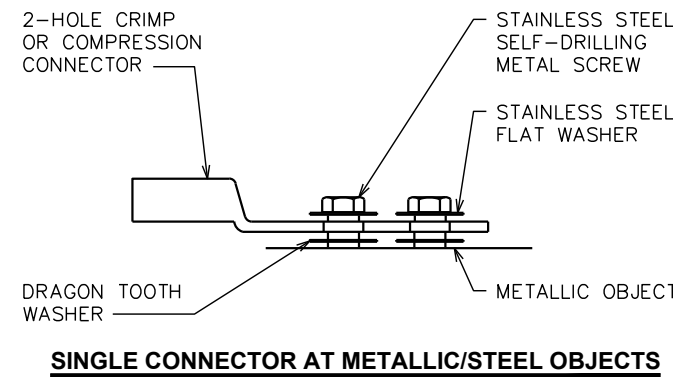
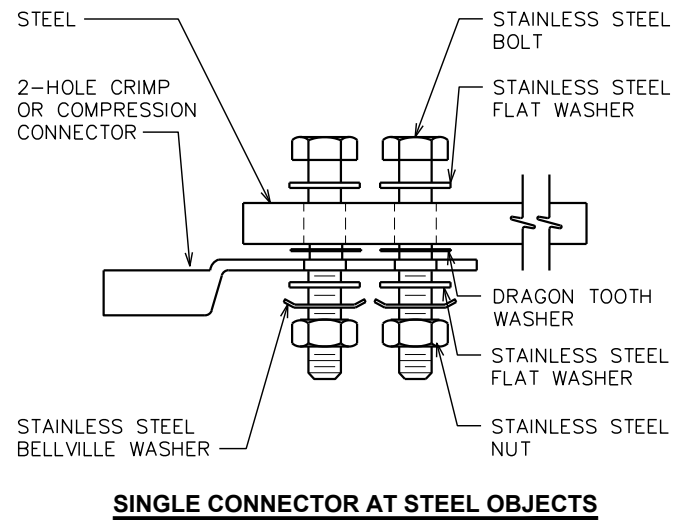
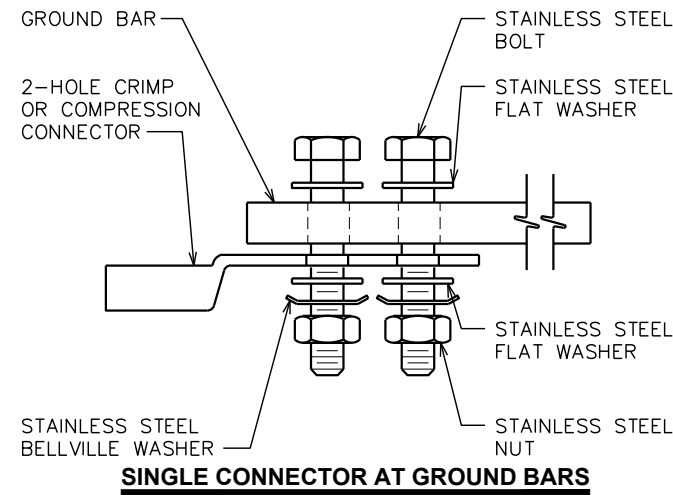
1. CONTRACTOR TO USE COMMSCOPE GPS-U MOUNT KIT TO MOUNT GPS ANTENNA. MOUNT PER MANUFACTURER'S SPECIFICATIONS.
2. EQUIPMENT INSTALLER IS RESPONSIBLE FOR INSTALLATION OF ANTENNA, MOUNT, AND COAX.
3. CONTRACTOR IS RESPONSIBLE FOR GPS MOUNTING PIPE, GROUND, AND CLAMP AROUND THE MAST FOR THE GPS.

COMMSCOPE GPS-U MOUNT KIT TO BE USED TO MOUNT GPS ANTENNA (AS NEEDED). SEE NOTE 1.



GPS MOUNT DETAIL

SCALE: N.T.S.



NOTES:

1. CHOOSE BOLT LENGTH TO ALLOW A MIN. OF TWO THREADS EXPOSED.
2. BURNISH MOUNTING SURFACE TO REMOVE PAINT IN THE AREA OF THE CONNECTOR.
3. APPLY ANTI-OXIDANT COMPOUND TO MATING SURFACE OF CONNECTOR AND WIPE OFF EXCESS COMPOUND.
4. APPLY CLEAR HEAT SHRINK OVER ENTIRE LENGTH OF LABEL FOR PROTECTION (REFER TO CONDUCTOR LABELS SECTION).

CONNECTOR AND HARDWARE DETAIL

SCALE: N.T.S.

PLANS PREPARED FOR:



4700 EXCHANGE COURT, SUITE 100
BOCA RATON, FL 33431
(561) 995-5539

PROJECT INFORMATION:

VZW SITE #: 5000991277
VZW SITE NAME:
OTTER BAY

612 NORTH EAST CLYDE VARNES
LAKE CITY, FL 32055
(COLUMBIA COUNTY)

PLANS PREPARED BY:



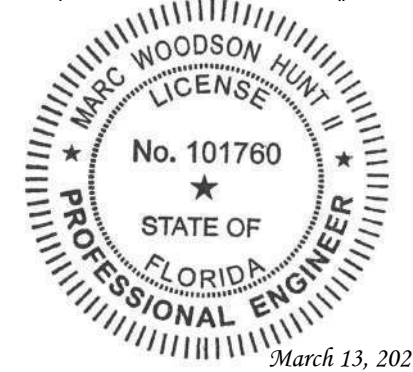
TEP OpCo, LLC
326 TRYON ROAD
RALEIGH, NC 27603-3530
OFFICE: (919) 661-6351
www.tepgroup.net
FL COA # 31011

DIGITAL SEAL:

THIS ITEM HAS BEEN DIGITALLY SIGNED AND SEALED BY MARC W. HUNT II ON THE DATE ADJACENT TO THE SEAL. SIGNATURE MUST BE VERIFIED ON ANY ELECTRONIC COPIES.

SEAL:

TEP OpCo, LLC FL COA # 31011



I	03-13-26	CONSTRUCTION
O	02-25-26	PRELIMINARY
REV	DATE	ISSUED FOR:

DRAWN BY: TAF CHECKED BY: JHJ

SHEET TITLE:

**GROUNDING
DETAILS I**

SHEET NUMBER: REVISION:

E-10

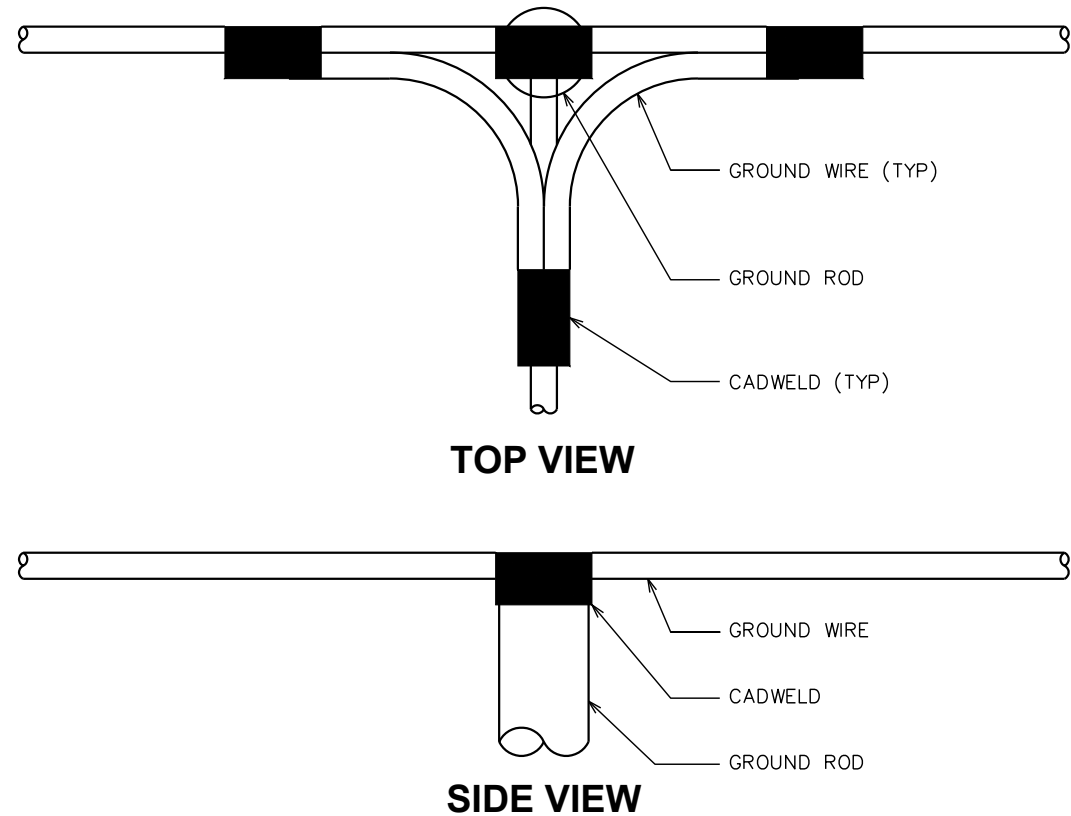
1

TEP#: 352831.1 | 96904

TEP IS A FAMILY OF COMPANIES LICENSED TO PROVIDE DIFFERENT SERVICES IN DIFFERENT JURISDICTIONS. DEPENDING ON THE JURISDICTION, PROFESSIONAL ENGINEERING AND LAND SURVEYING SERVICES ARE PROVIDED BY TEP OP CO LLC, A DELAWARE LIMITED LIABILITY COMPANY. GENERAL CONTRACTOR SERVICES ARE PROVIDED BY TEP OP CO LLC, A DELAWARE LIMITED LIABILITY COMPANY. WE ACQUIRE THE REQUIRED LICENSES IN EACH STATE. ADDITIONAL INFORMATION CAN BE OBTAINED FROM THE COMPANY.

NOTE:

MINIMUM SPACING OF 12" BETWEEN ALL CADWELDS.

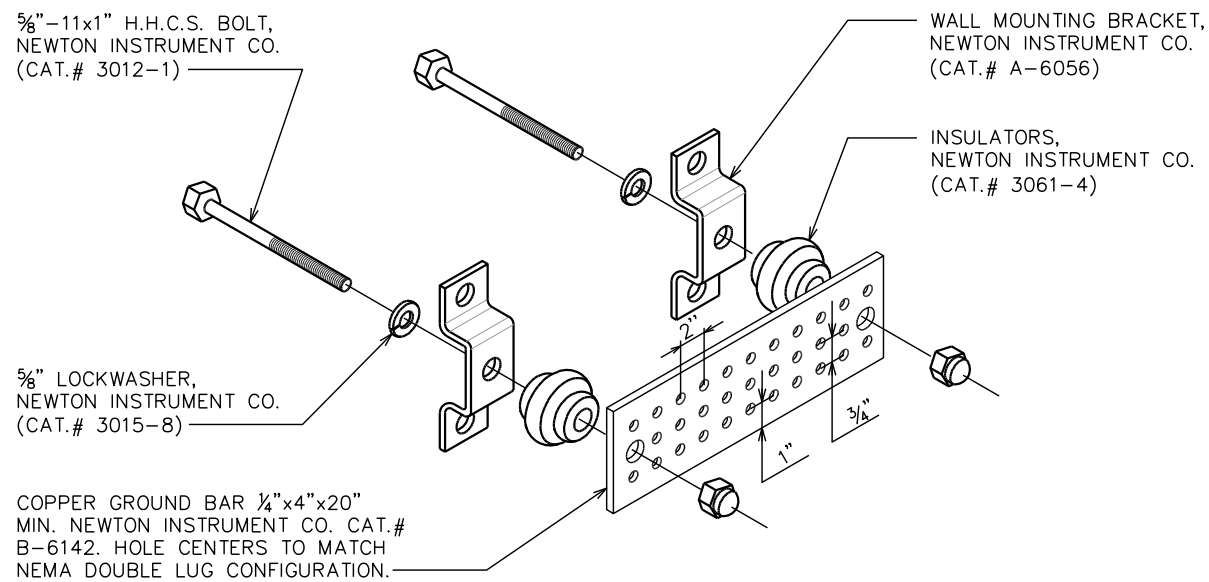


CADWELD GROUNDING DETAIL

SCALE: N.T.S.

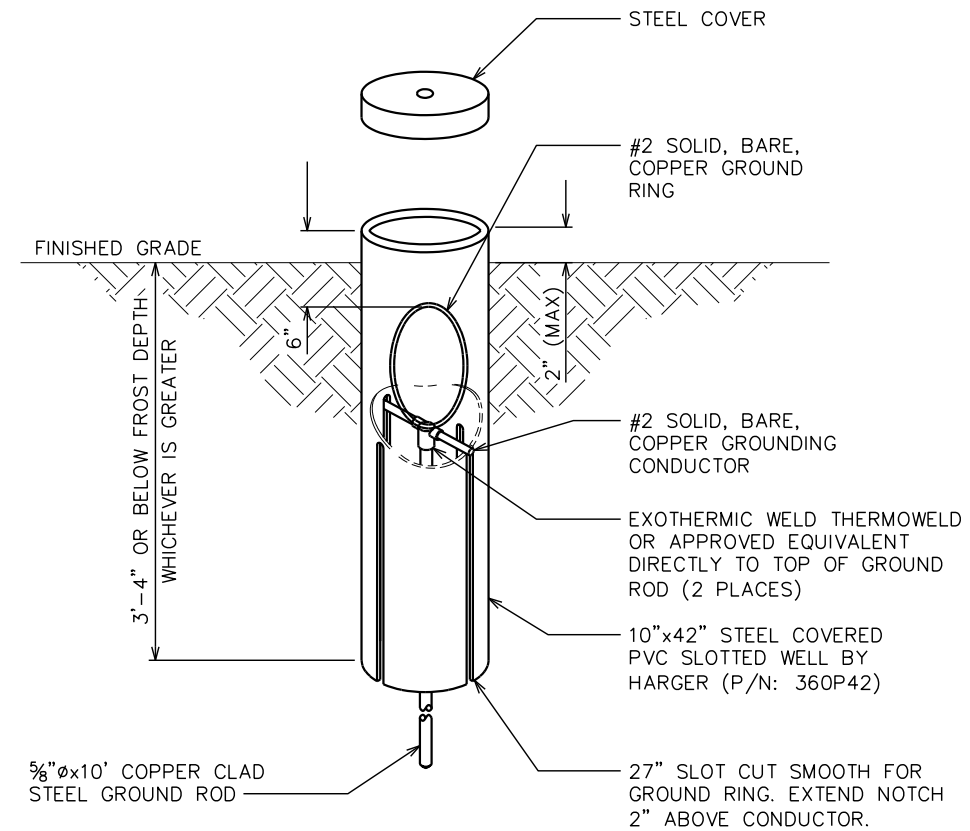
NOTE:

GROUND BAR SHALL BE SIZED TO ACCOMMODATE ALL GROUNDING CONNECTIONS REQUIRED PLUS PROVIDE 50% SPARE CAPACITY.



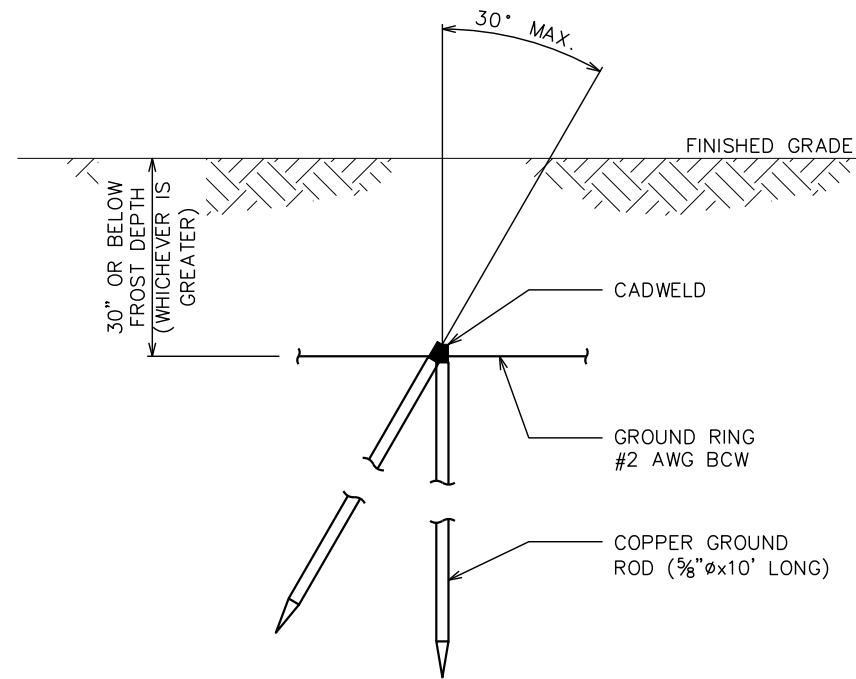
GROUND BAR DETAIL

SCALE: N.T.S.



GROUND ROD WITH INSPECTION WELL

SCALE: N.T.S.



COPPER-CLAD STEEL GROUND ROD

SCALE: N.T.S.

PLANS PREPARED FOR:



4700 EXCHANGE COURT, SUITE 100
BOCA RATON, FL 33431
(561) 995-5539

PROJECT INFORMATION:

VZW SITE #: 5000991277
VZW SITE NAME:
OTTER BAY
612 NORTH EAST CLYDE VARNES
LAKE CITY, FL 32055
(COLUMBIA COUNTY)

PLANS PREPARED BY:



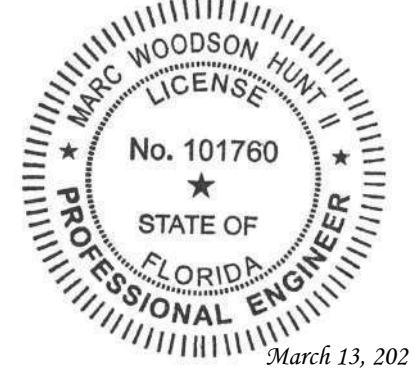
TEP OpCo, LLC
326 TRYON ROAD
RALEIGH, NC 27603-3530
OFFICE: (919) 661-6351
www.tepgroup.net
FL COA # 31011

DIGITAL SEAL:

THIS ITEM HAS BEEN DIGITALLY SIGNED AND SEALED BY MARC W. HUNT II ON THE DATE ADJACENT TO THE SEAL. SIGNATURE MUST BE VERIFIED ON ANY ELECTRONIC COPIES.

SEAL:

TEP OpCo, LLC FL COA # 31011



REV	DATE	ISSUED FOR:
I	03-13-26	CONSTRUCTION
O	02-25-26	PRELIMINARY

DRAWN BY: TAF CHECKED BY: JHJ

SHEET TITLE:

GROUNDING DETAILS II

SHEET NUMBER: REVISION:

E-11 **1**
TEP#: 352831.1196904

TEP IS A FAMILY OF COMPANIES LICENSED TO PROVIDE DIFFERENT SERVICES IN DIFFERENT JURISDICTIONS. DEPENDING ON THE JURISDICTION, PROFESSIONAL ENGINEERING AND LAND SURVEYING SERVICES ARE PROVIDED BY TEP OP CO LLC, A DELAWARE LIMITED LIABILITY COMPANY. GENERAL CONTRACTOR SERVICES ARE PROVIDED BY TEP OP CO LLC, A NEW YORK PROFESSIONAL LIMITED LIABILITY COMPANY. OR M&H ENGINEERING, PLLC, A NORTH CAROLINA PROFESSIONAL LIMITED LIABILITY COMPANY. ADDITIONAL INFORMATION CAN BE OBTAINED FROM THE COMPANY.