

WOOD STRUCTURAL NOTES

1. TEMPORARY BRACING OF THE STRUCTURE DURING ERECTION, REQUIRED FOR SAFE AND STABLE CONSTRUCTION, SHALL BE THE SOLE RESPONSIBILITY OF THE CONTRACTOR SO ENGAGED. TEMPORARY & PERMANENT BRACING OF ROOF TRUSSES SHALL BE AS PER THE STANDARD GUIDELINES OF THE "TRUSS PLATE INSTITUTE".
2. ALL TRUSSES SHALL BE DESIGNED BY A LICENSED PROFESSIONAL ENGINEER & SHALL BE SIGNED AND SEALED BY SAME. TRUSS DESIGN SHALL INCLUDE PLACEMENT PLANS, TRUSS DETAILS, TRUSS TO TRUSS CONNECTIONS & THE STANDARD SPECIFICATIONS & RECOMMENDATIONS OF INSTALLATION OF THE "TRUSS PLATE INSTITUTE".
3. WOOD STUDS IN EXTERIOR WALLS & INTERIOR BEARING WALLS SHALL BE NOT LESS THAN No.2 HEM-FIR OR BETTER.
4. CONNECTORS FOR WOOD FRAMING SHALL BE GALVANIZED METAL OR BLACK METAL AS MANUFACTURED OR AS CALLED FOR IN THE PLANS AND BE OF A DESIGN SUITABLE FOR THE LOADS AND USE INTENDED. REFER TO THE JOINT REINFORCEMENT SCHEDULE FOR PRINCIPLE CONNECTIONS.

| AREA OF ATTIC | REQD LF. OF VENT | NET FREE AREA OF INTAKE |
|---------------|------------------|-------------------------|
| 1600 SF | 20 LF | 410 SQ.IN. |
| 1800 SF | 24 LF | 490 SQ.IN. |
| 2200 SF | 28 LF | 570 SQ.IN. |
| 2600 SF | 32 LF | 650 SQ.IN. |
| 2800 SF | 36 LF | 730 SQ.IN. |
| 3000 SF | 40 LF | 820 SQ.IN. |
| 3600 SF | 44 LF | 900 SQ.IN. |

ROOF PLAN NOTES

- R-1 SEE EXTERIOR ELEVATIONS FOR ROOF PITCH
- R-2 ALL OVERHANG 18"
- R-3 PROVIDE ATTIC VENTILATION IN ACCORDANCE WITH SCHEDULE ON 8.2
- R-4 SEE EXTERIOR ELEVATIONS AND FLOOR PLANS TO VERIFY PLATE AND HEEL HEIGHTS
- R-5 MOVE ALL VENTS AND OTHER ROOF PENETRATIONS TO REAR

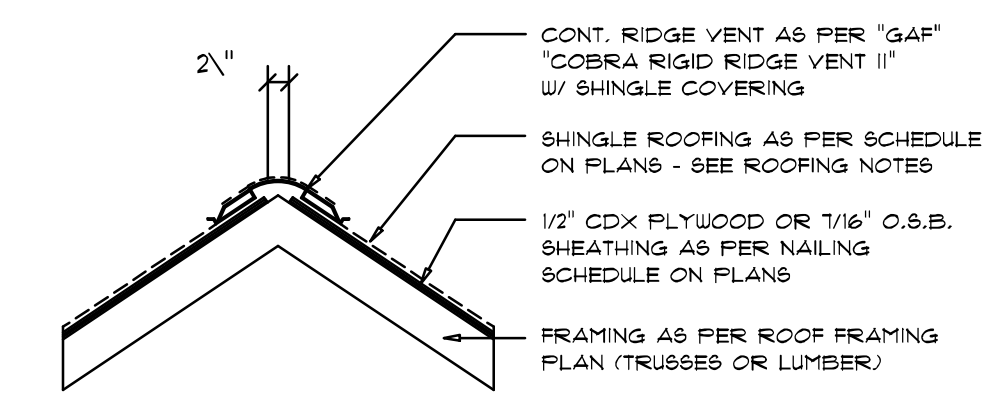
NOTE!
SHEATH ROOF W/ 19/32" CDX PLYWOOD PLACED W/ LONG DIMENSION PERPENDICULAR TO THE ROOF TRUSSES, SECURE TO FRAMING W/ 10d RING-SHANK NAILS - AS PER DETAIL ON SHEET 8.4

NOTE!
THE DESIGN WIND SPEED FOR THIS PROJECT IS 130 MPH PER 2023 FBC (8TH EDITION) AND LOCAL JURISDICTION REQUIREMENTS

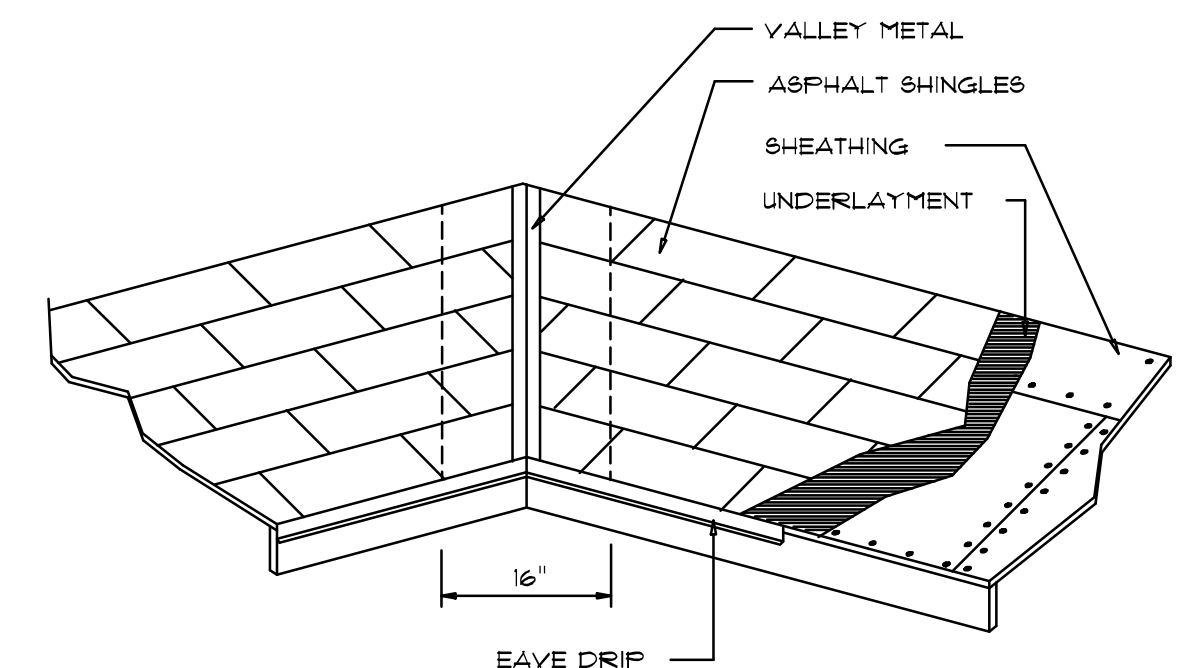
NOTE!
ALL PENETRATIONS OF THE TOP PLATE OF ALL LOAD BEARING WALLS SHALL BE SEALED WITH FIRE RETARDANT CAULKING INCLUDING WIRING, PLUMBING OR OTHER SUCH PENETRATIONS. WALLS OVER 8'-0" TALL SHALL HAVE CONTINUOUS BLOCKING TO LIMIT CAVITY HEIGHT TO 8'-0". PENETRATIONS THROUGH SUCH BLOCKING SHALL BE TREATED IN THE SAME MANNER AS TOP PLATES, NOTED ABOVE

GENERAL TRUSS NOTES:

1. TRUSSES SHALL BE DESIGNED BY A LICENSED ENGINEER, AND IN ACCORDANCE WITH THE REQUIREMENTS OF THE "NATIONAL FOREST PRODUCTS ASSOCIATION" MANUAL FOR "STRESS RATED LUMBER AND ITS CONNECTIONS", LATEST ED., ALONG W/ THE "TRUSS PLATE INSTITUTE" SUGGESTED GUIDELINES FOR TEMPORARY AND PERMANENT BRACING, AND HANDLING OF TRUSSES. TRUSS SHOP DRAWINGS SHALL INCLUDE TRUSS DESIGN, PLACEMENT PLANS, DETS. & TRUSS TO TRUSS CONNECTIONS.
2. TRUSS SHOP DRAWINGS SHALL BE SIGNED & SEALED BY THE DESIGNING ENGINEER.
3. FOLLOWING DEVELOPMENT OF TRUSS SHOP DRAWINGS, ADJUSTMENTS TO THE ANCHOR REQUIREMENTS MAY BE REQUIRED DEPENDING ON THE ENGINEERED GRAVITY AND WIND UPLIFT REQUIREMENTS OF TRUSSES OR GIRDERS. THE CONTRACTOR SHALL MAKE AVAILABLE A COMPLETE SET OF TRUSS SHOP DRAWINGS TO THE ARCHITECT FOR THE PURPOSE OF REVIEW OF LOADS IMPOSED ON THE BALANCE OF THE STRUCTURE. ANY SUCH REQUIRED CHANGE SHALL BE INCORPORATED INTO THE CONSTRUCTION OF THIS STRUCTURE.



Ridge Vent DETAIL
SCALE: 3/4" = 1'-0"



Roofing/Flashing DETS.
SCALE: NONE

ROOFING METALS for FLASHING/ROOFING MINIMUM THICKNESS REQUIREMENTS

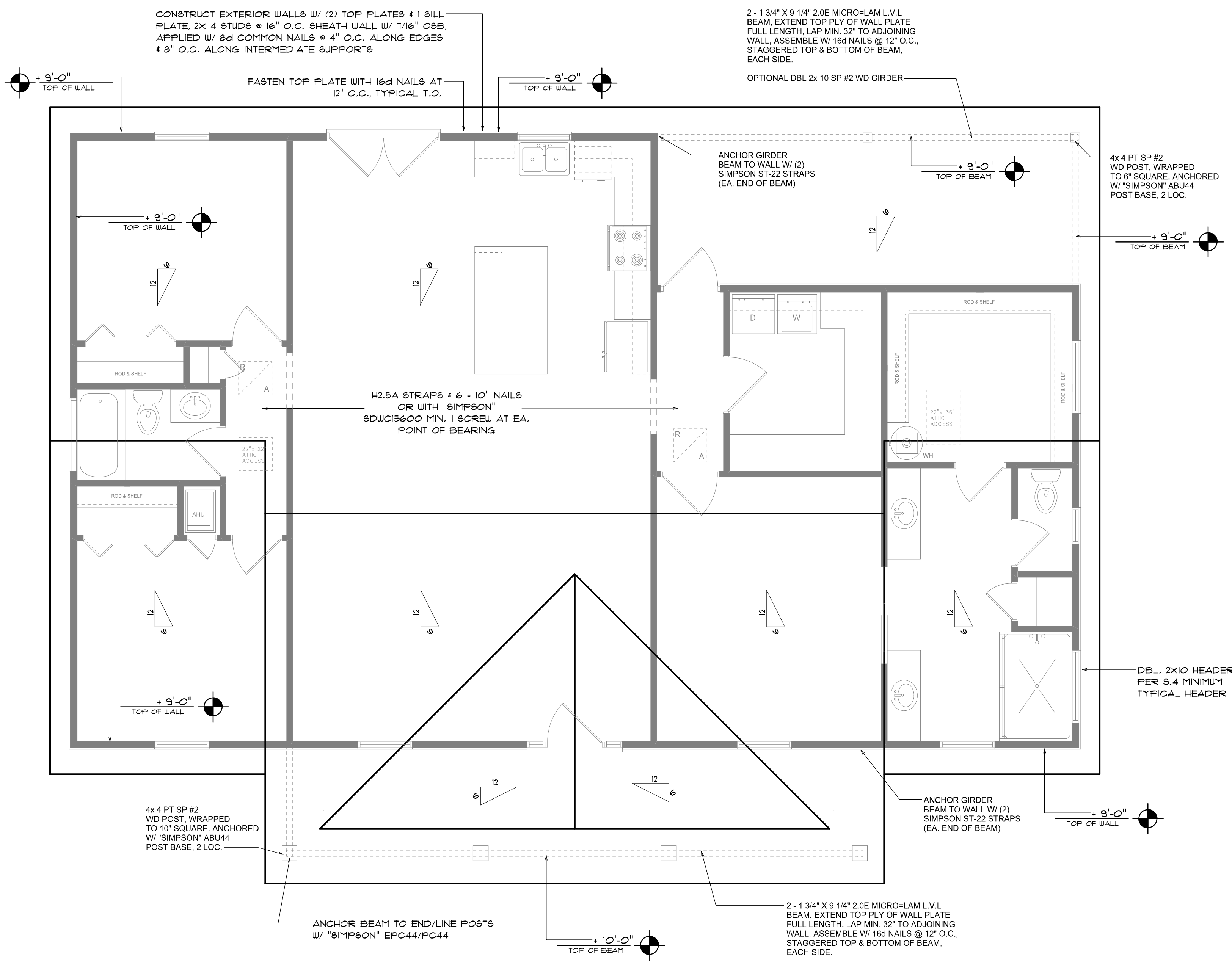
| MATERIAL | MINIMUM THICKNESS (in) | GAGE | WEIGHT (OZ.) |
|-------------------------------|------------------------|----------------------|--------------|
| COPPER | | | 16 |
| ALUMINUM | 0.024 | | |
| STAINLESS STEEL | | 2B | |
| GALVANIZED STEEL | 0.0175 | 26 (ZINC COATED G90) | |
| ZINC ALLOY LEAD PAINTED TERNE | 0.021 | | 40 |

PROJECT COORDINATION REQUIREMENTS

NOTICE!
THESE PLANS ARE DRAWN FOR AVERAGE SITE CONDITIONS AND COMPLIANCE WITH APPLICABLE CODES AT THE TIME THEY ARE DRAWN. DUE TO VARYING STATE, LOCAL, AND NATIONAL CODES, RULES AND REGULATIONS, N.P.GEISLER, ARCHITECT CANNOT WARRANT COMPLIANCE WITH ALL APPLICABLE STATE, LOCAL, AND NATIONAL CODES IN YOUR AREA OR WITH YOUR PARTICULAR SITE CONDITIONS. IT IS THE RESPONSIBILITY OF THE PURCHASER AND/OR BUILDER TO SEE THAT THE STRUCTURE IS BUILT IN STRICT COMPLIANCE WITH ALL GOVERNING MUNICIPAL CODES (CITY, COUNTY, STATE, AND FEDERAL). IF YOUR CITY OR STATE REQUIRES AN ENGINEER'S SEAL FOR THE SITE/CIVIL PORTIONS OF THE WORK, YOU WILL NEED TO HAVE THAT DONE LOCALLY BY A QUALIFIED, LICENSED PROFESSIONAL ENGINEER.

THE CONTRACTOR SHALL COORDINATE THE TRUSS TO TRUSS ANCHOR REQUIREMENTS WITH THE TRUSS ENGINEERING SHOP DRAWINGS. SOME OF THE TRUSS TO TRUSS CONNECTIONS WILL REQUIRE ANCHOR STRAPS IN ADDITION TO TYPICAL NAILING. ANCHOR DEVICES SHALL BE REQUIRED FOR ALL JOINTS WITH AN UPLIFT OR GRAVITY LOAD OF 100 LBS OR GREATER.

TRUSSES BEARING ON INTERIOR PARTITIONS WHERE UPLIFT LOADS ARE PRESENT SHALL REQUIRE ANCHORS OF EQUAL OR GREATER LOAD CAPACITY THAN THAT INDICATED BY THE TRUSS SHOP DRAWINGS. THE UPLIFT ANCHOR SYSTEM SHALL BE CONTINUOUS TO THE FOUNDATION.

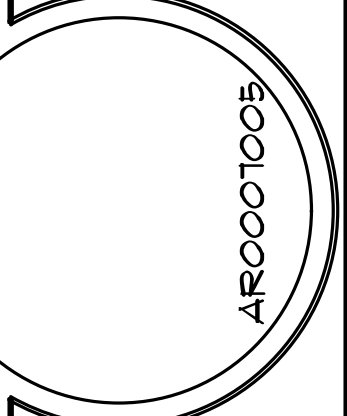


Roof Framing PLAN

SCALE: 1/4" = 1'-0"

NOTE!
ANCHOR GIRDER TRUSS(ES) TO HEADER WITH 2 "SIMPSON" LGT(2, 3 OR 4), ANCHOR HEADER TO KING STUDS W/ 2 "SIMPSON" ST22 EA. END - TYP., T.O.

NOTE!
REFER TO THE WINDOW/DOOR HEADER SCHEDULE ON SHEET 8.4 FOR ALL MINIMUM SIZE HEADERS AND ALTERNATES MINIMUM SIZE ALLOWABLE IS 2X10.



NICHOLAS PAUL ARCHITECT
1755 NW Brown Rd.
Lake City, FL 32065
(888) 365-4355
N.C.A.R.B. Certified

JOB NUMBER
20260302

SHEET NUMBER
S.2
OF 4 SHEETS