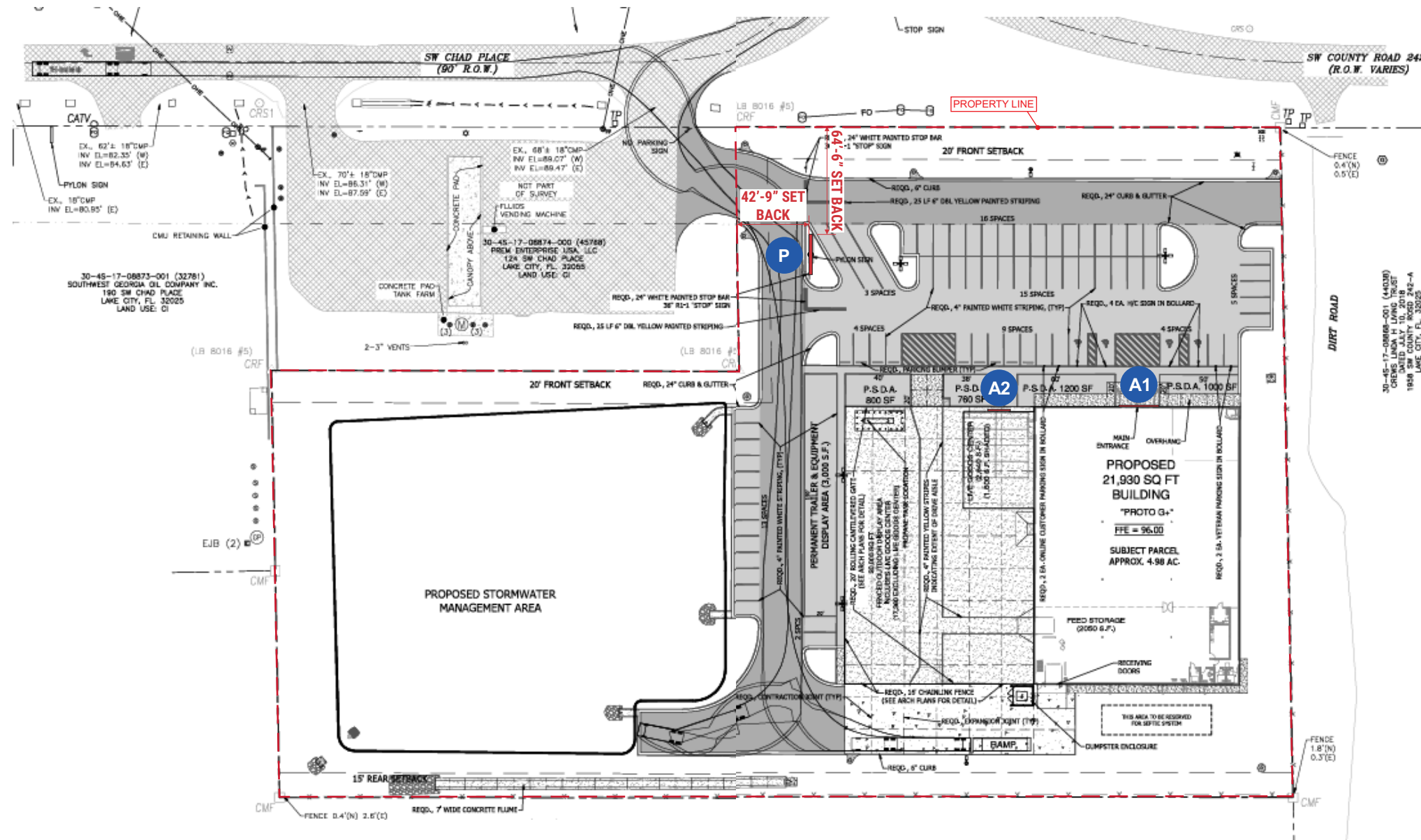


# SITE PLAN



### SIGNAGE LEGEND

- A1** 8'-0 X 24'-0" ILLUMINATED BUILDING SIGN
- A2** 6'-0 5/8" X 13'-6" ILLUMINATED BUILDING SIGN
- P** 8'-0" X 24'-0" X 35'-0" PYLON SIGN

### CODE NOTES:

**BUILDING SIGNAGE:** THIS DISTRICT DOES NOT RESTRICT SIZE OR QUANTITY OF SIGNS.  
**FREESTANDING:** THIS DISTRICT DOES NOT RESTRICT SIZE OR QUANTITY OF SIGNS, 35 FT O.A.H.  
**VARIANCE:** SHOULD NOT BE NEEDED

### PROPOSED SIGNAGE (VARIANCE REQUIRED)

**PROPOSED BUILDING MAIN ID SIGN A1:**  
 8'-0 X 24'-0" = TOTAL 192.0 SQ. FT.  
**PROPOSED BUILDING GARDEN SIGN A2:**  
 6'-0 5/8" X 13'-6" = TOTAL 81.70 SQ. FT.  
**BUILDING SIGN TOTAL SQ. FT. = 273.7**

**PROPOSED PYLON SIGN:**  
 8'-0" X 24'-0" X 25'-0" = TOTAL 192.0 SQ. FT.  
 LOCATED ON NW CORNER OF PROPERTY.

**TOTAL SQ. FT. USED = 465.7**

SCALE: 1:80



407 N. Pilot Knob Rd.  
 Denver, NC 28037  
 (727) 669-6877  
 www.lakesideps.com

Revisions:

...

...

NOTE: NTS

SHEET  
1

PM: T.W.

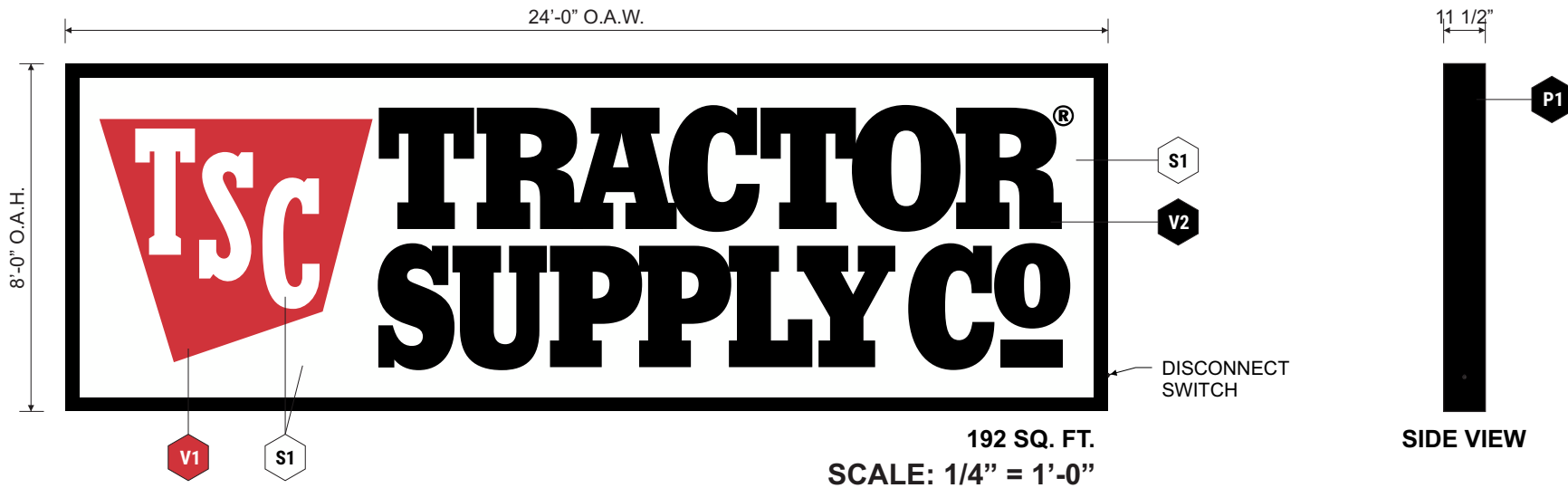
Drawn By: F.M.

Date: NOVEMBER 6, 2025

Store #: #3078

Address: 129 CHAD PL., LAKE CITY, FL

City, State: LAKE CITY, FL



COLOR SPECS	
<b>P1</b>	PANTONE BLACK GLOSS FINISH
<b>S1</b>	WHITE PANAFLEX 3 SUBSTRATE
<b>V1</b>	3M 3630-33 RED TRANSLUCENT VINYL
<b>V2</b>	3M 220-22 MATTE BLACK VINYL
LIGHTING	
DOUBLE SIDED (TBD) LED STICKS COLOR TEMP.: 6500K 16" MAX. O.C.	
ELECTRICAL	
POWER SUPPLIES / DRIVERS ARE (TBD BRAND) MULTI-VOLT TYPE, 120V - 277V HOUSED IN CABINET FOR BEST ACCESS. UL LISTED, 20AMP. DISCONNECT SWITCH REQUIRED.	
INSTALL IN ACCORDANCE WITH THE NATIONAL ELECTRICAL CODE	
THIS PRODUCT IS LISTED BY UNDERWRITERS LABORATORIES INC. AND BEARS THE MARK.	

MANUFACTURE & INSTALL (1) S/S INTERNALLY ILLUMINATED SIGN CABINET STRUCTURE TO BE MOUNTED ON WALL PER BELOW SPECS.

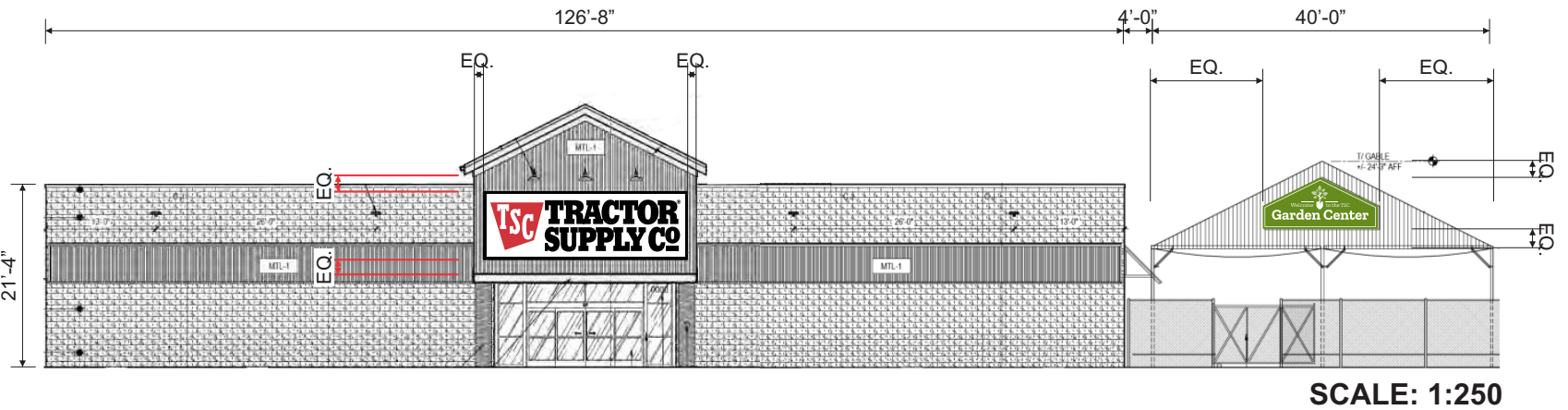
**CABINET CONSTRUCTION**  
 2" X 2" X 3/16" ALUMINUM ANGLE MAIN FRAME.  
 1 1/2" X 1 1/2" X 1/8" ALUMINUM TUBE FACE FRAME, WITH 1 1/2" X 1 1/2" X 1/8" KICKER TENSION BRACING, QTY. VARIES PER SIGN SIZE.  
 CABINET FILLERS TO BE .040" ALUMINUM PAINTED P1.

**FACE CONSTRUCTION**  
 FLEXIBLE FABRIC WITH GRAPHICS, STRETCHED OVER FACE FRAME & SECURED WITH SELF TAPPING SCREWS.  
**NOTE: FACE IS NOT HINGED.**

**FACE MATERIAL SPECIFICATIONS**  
 SUBSTRATE: 3M PANAGRAPHS 3 FLEXIBLE SUBSTRATE.  
 DESCRIPTION: TRANSLUCENT MEDIA WITH POLYESTER SCRIM EMBEDDED IN A WHITE PIGMENTED VINYL.  
 FINISH: SMOOTH FRONT SURFACE, WITH WHITE SEMI-GLOSS FINISH.  
 THICKNESS: 27 MIL.

**INTERNAL ILLUMINATION**  
 WHITE 6500K / 195 LUMENS PER FT. LED'S ATTACHED TO INSIDE CABINET FRAME.

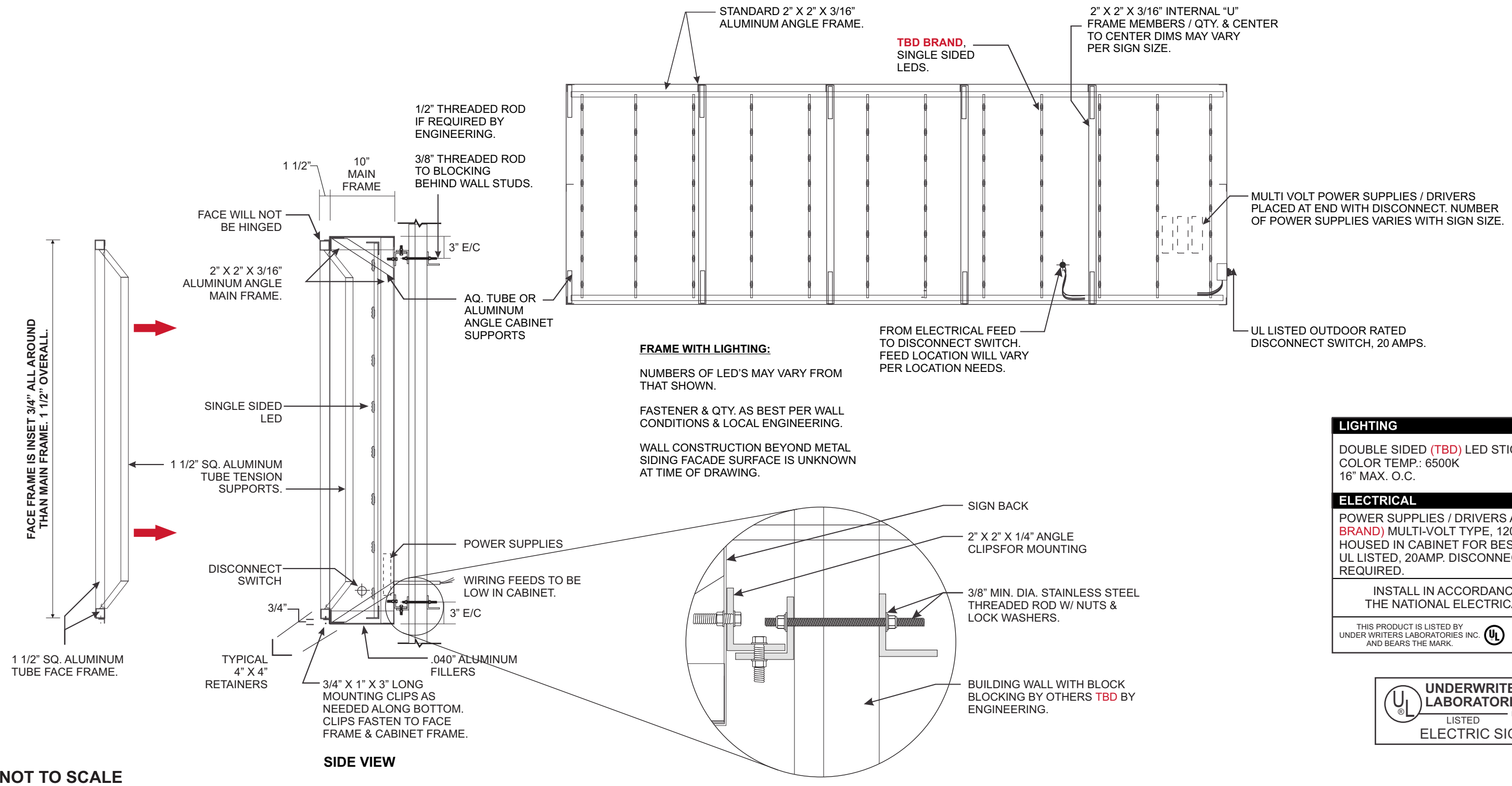
**NOTE: PRIMARY POWER TO BE PROVIDED BY CUSTOMER WITHIN 5 FEET OF SIGN LOCATION.**  
**NOTE: BUILD SPECS MAY CHANGE UPON FINAL SHOP DRAWING STAGES OF PRIOR TO PRODUCTION.**  
**NOTE: ELEVATIONS SHOWN DOES NOT REPRESENT BUILDING LAYOUT ON SITE PLAN. CUSTOMER TO PROVIDE CORRECT AND FULL SCALED ELEVATIONS.**



Revisions:
...
...
NOTE: NTS

PM: T.W.
Drawn By: F.M.
Date: NOVEMBER 6, 2025

Store #: #3078
Address: 129 CHAD PL., LAKE CITY, FL
City, State: LAKE CITY, FL



<b>LIGHTING</b>
DOUBLE SIDED (TBD) LED STICKS COLOR TEMP.: 6500K 16" MAX. O.C.
<b>ELECTRICAL</b>
POWER SUPPLIES / DRIVERS ARE (TBD BRAND) MULTI-VOLT TYPE, 120V - 277V HOUSED IN CABINET FOR BEST ACCESS. UL LISTED, 20AMP. DISCONNECT SWITCH REQUIRED.
INSTALL IN ACCORDANCE WITH THE NATIONAL ELECTRICAL CODE
THIS PRODUCT IS LISTED BY UNDERWRITERS LABORATORIES INC. AND BEARS THE MARK.



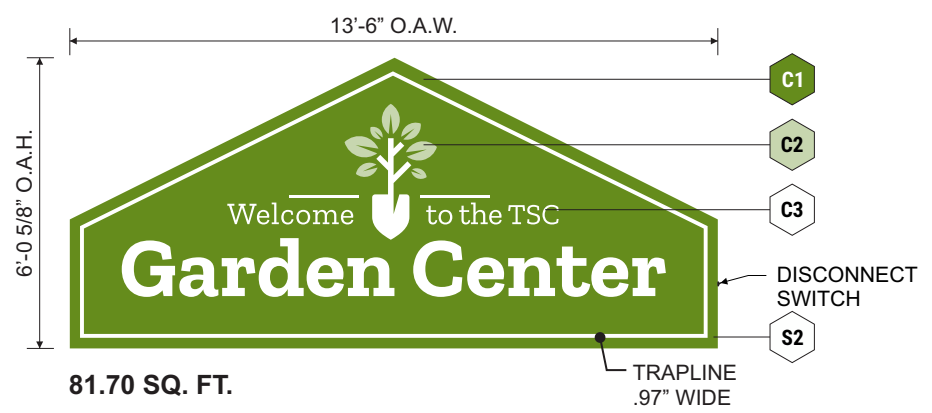
NOT TO SCALE

Revisions:
...
...
NOTE: NTS

PM: T.W.
Drawn By: F.M.
Date: NOVEMBER 6, 2025

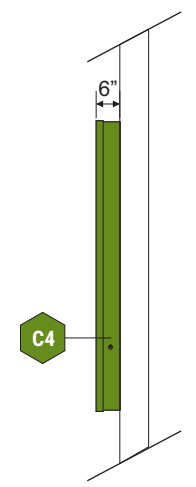
Store #: #3078
Address: 129 CHAD PL., LAKE CITY, FL
City, State: LAKE CITY, FL

# GARDEN CENTER SIGN



81.70 SQ. FT.

SCALE: 1/4" = 1'-0"



SIDE VIEW

MANUFACTURE & INSTALL (1) S/S INTERNALLY ILLUMINATED SIGN CABINET STRUCTURE TO BE MOUNTED ON WALL PER BELOW SPECS.

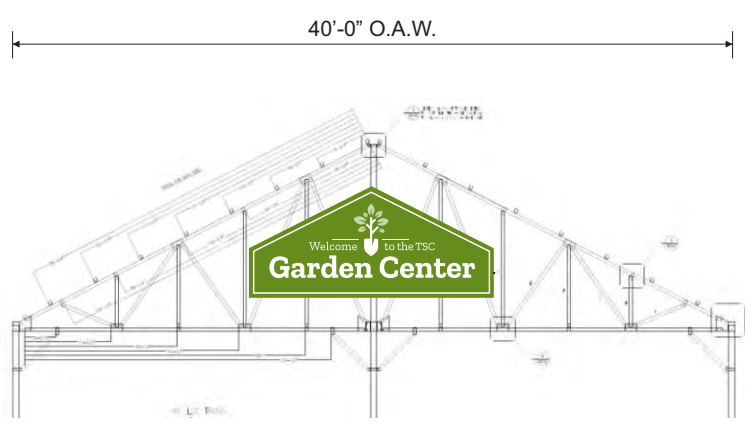
**CABINET CONSTRUCTION**  
6" DEEP EXTRUDED ALUMINUM PAINTED C4.

**FACE RETAINERS**  
1 1/2" X 1 1/2" X 1/8" BENT ALUMINUM OR ANGLE, 3/16" THICK WHITE FLAT POLYCARBONATE PAINTED C4. RETAINER TO BE SECURED ON CABINET SIDES / RETURNS, W/ COUNTER SUNK FLAT HEAD SCREWS PAINTED C4.

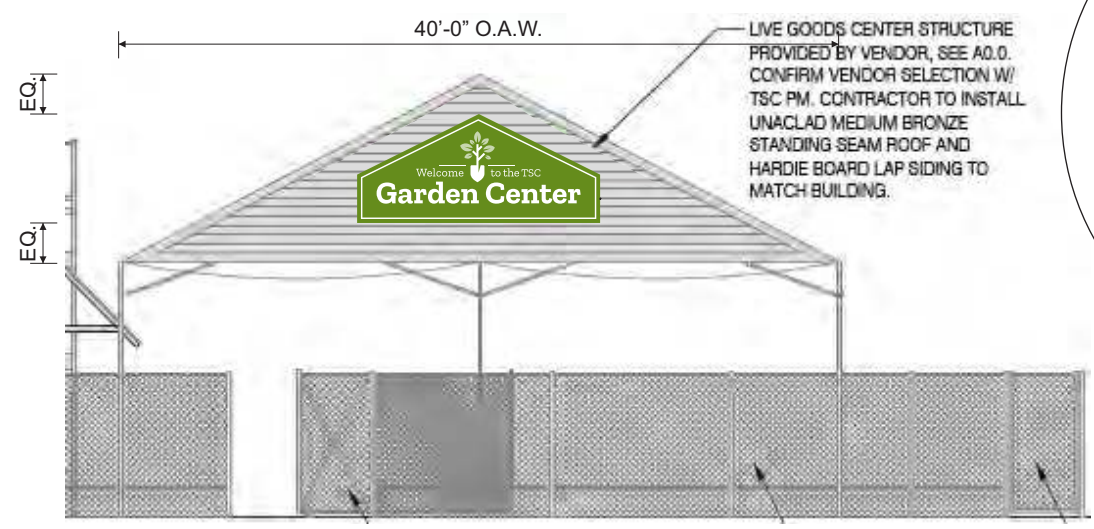
**FACE CONSTRUCTION**  
3/16" THICK WHITE POLYCARBONATE W/ C1 - C3 VINYL FIRST SURFACE APPLIED.

**INTERNAL ILLUMINATION**  
WHITE 6500K / 195 LUMENS PER FT. LED'S ATTACHED TO INSIDE CABINET FRAME. LED POWER SUPPLIES (TBD BRAND), MULTI-VOLT ELECTRONIC TYPE, & CONTAINED IN SIGN CABINET FOR BEST ACCESS.

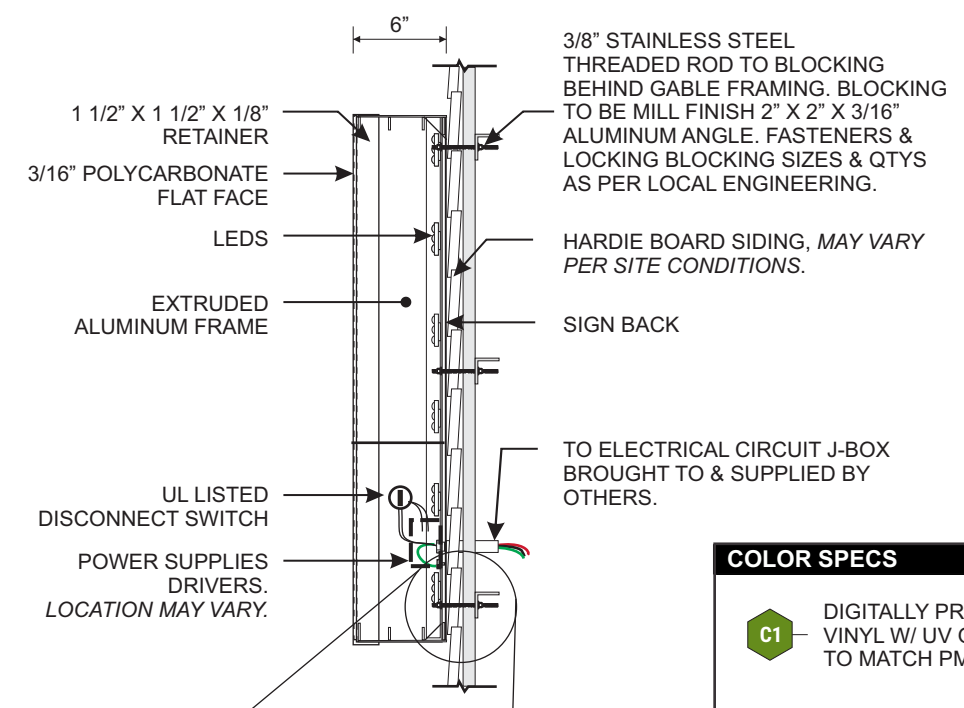
**NOTE: PRIMARY POWER TO BE PROVIDED BY CUSTOMER WITHIN 5 FEET OF SIGN LOCATION.**  
**NOTE: BUILD SPECS MAY CHANGE UPON FINAL SHOP DRAWING STAGES OF PRIOR TO PRODUCTION.**



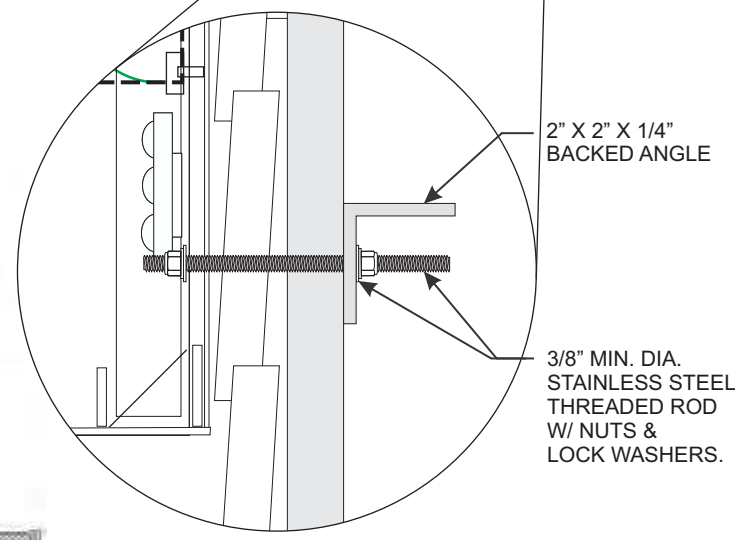
SCALE: 3/32" = 1'-0"



SCALE: 3/32" = 1'-0"



SECTION VIEW NOT TO SCALE



**COLOR SPECS**

- C1** - DIGITALLY PRINTED TRANSLUCENT VINYL W/ UV OVERLAMINATE FILM TO MATCH PMS 370 C
- C2** - DIGITALLY PRINTED TRANSLUCENT VINYL W/ UV OVERLAMINATE FILM TO MATCH PMS DS 299-6
- C3** - WHITE TRANSLUCENT VINYL
- C4** - PMS 370 C SATIN FINISH
- S2** - WHITE POLYCARBONATE

**LIGHTING**

DOUBLE SIDED (TBD) LED STICKS  
COLOR TEMP.: 6500K  
16" MAX. O.C.

**ELECTRICAL**

POWER SUPPLIES / DRIVERS ARE (TBD BRAND) MULTI-VOLT TYPE, 120V - 277V HOUSED IN CABINET FOR BEST ACCESS. UL LISTED, 20AMP. DISCONNECT SWITCH REQUIRED.

INSTALL IN ACCORDANCE WITH THE NATIONAL ELECTRICAL CODE

THIS PRODUCT IS LISTED BY UNDER WRITERS LABORATORIES INC. AND BEARS THE MARK.